



FACSIMILE EQUIPMENT

PARTS REFERENCE LIST

MODEL: MFC6800 / DCP1000

(For U.S.A. / Canada / Taiwan)

MFC9160 / MFC9180

(For Australia / New Zealand / Asia / Korea)

© Copyright Brother 2001

All rights reserved

No part of this publication may be reproduced in any form
or by any means without permission in writing from the
publisher.

Specifications are subject to change without prior notice.

NOTES FOR USING THIS PARTS REFERENCE LIST

1. In the case of ordering parts, it needs mentioning the following items:

- (1) Code
- (2) Q' ty
- (3) Description

Note: No orders without Parts Code or Tool No. can be accepted.

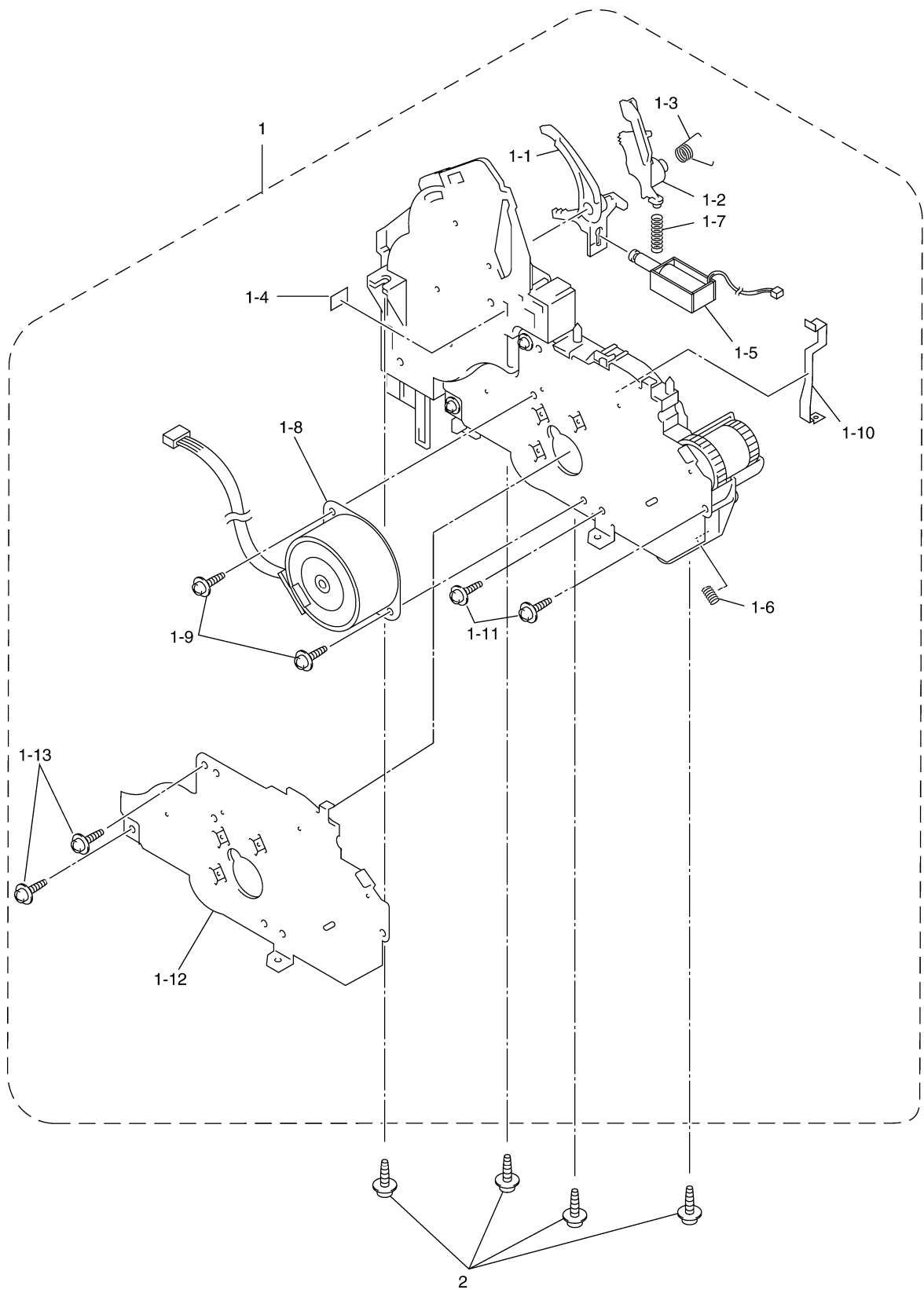
[Example]

REF.NO.	(1) CODE	(2) Q' TY	(3) DESCRIPTION	RECOMMEND	REMARKS

2. Parts change will be informed by the technical information.

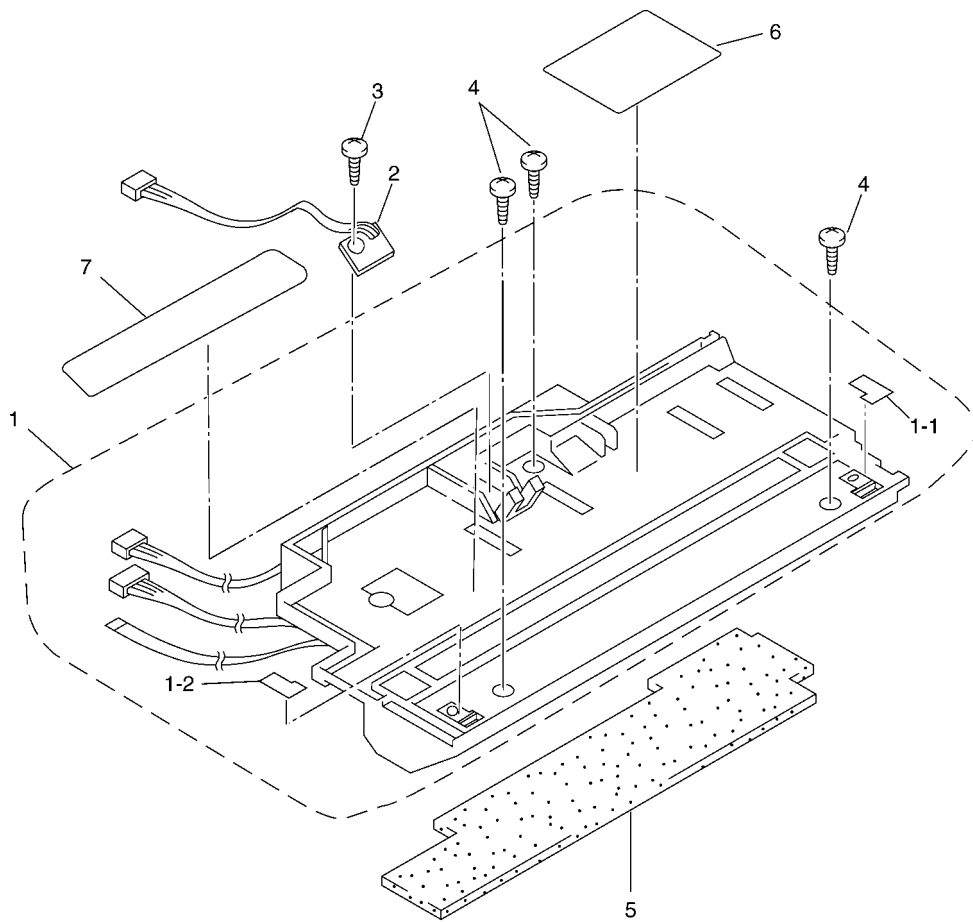
COUNTRIES

U.S.A. ---- US
CANADA ---- CAN
AUSTRALIA ---- ARL
NEW ZEALAND ---- NZ
ASIA ---- ASA
TAIWAN ---- TWN



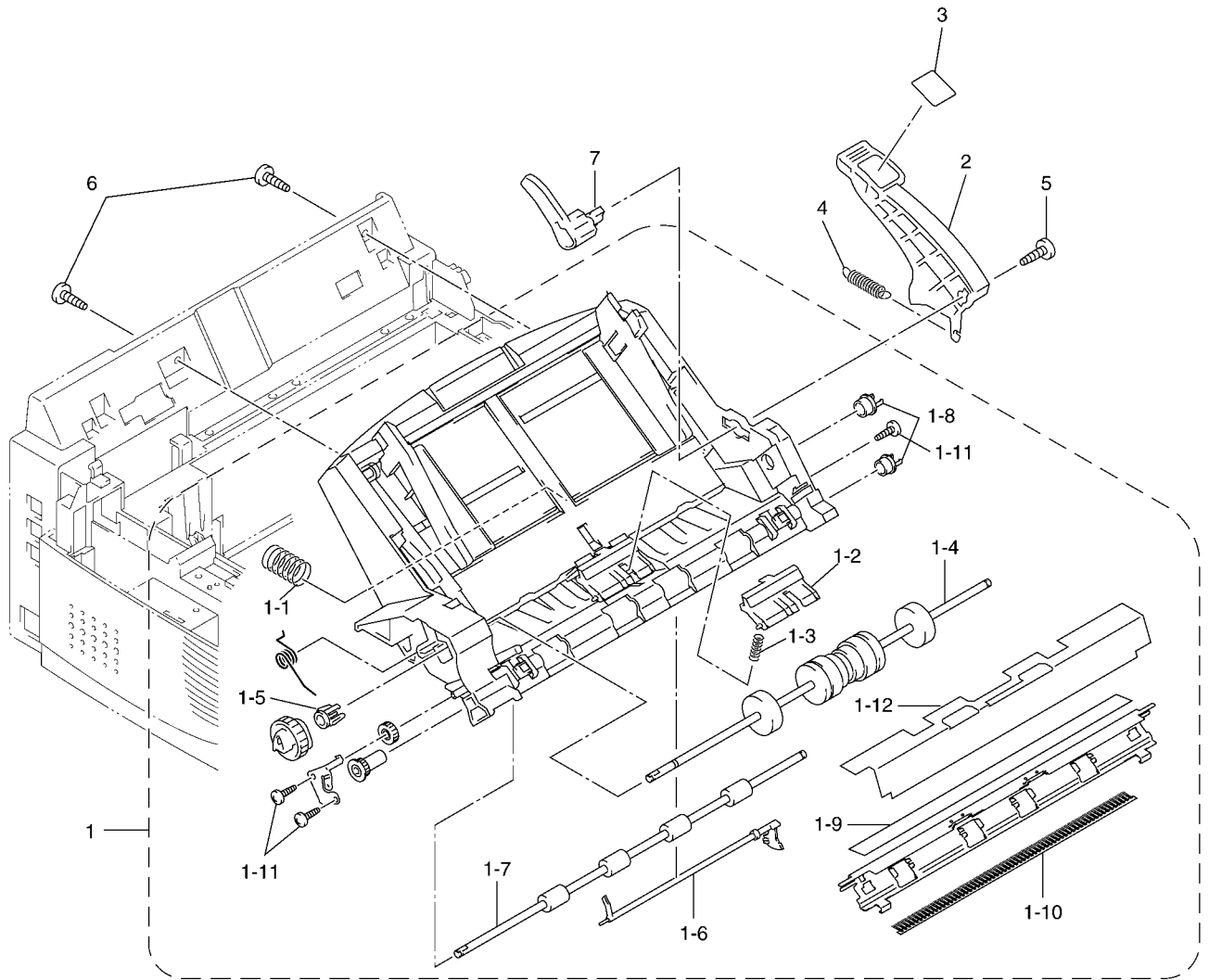
LIST1(PAPER DRIVE)

REF.NO.	CODE	Q'TY	DESCRIPTION	RECOMMEND	REMARKS
1	LE1793001	1	GEAR DRIVE UNIT		
1-1	UL6573000	1	SOLENOID LEVER		
1-2	UL6574000	1	CLUTCH RELEASE LEVER		
1-3	UL6575001	1	SOLENOID SPRING		
1-4	LE7280001	1	SOLENOID LEVER SHEET		
1-5	LE7015001	1	PAPER FEED SOLENOID ASSY		
1-6	LE7419001	1	CLUTCH GEAR SPRING		
1-7	UL6579001	1	CLUTCH HOLDER SPRING		
1-8	LE1806001	1	MAIN MOTOR ASSY		
1-9	087320616	2	TAPTITE, CUP S M3X6		
1-10	LE1807001	1	ELECTRODE		
1-11	087311016	2	TAPTITE, CUP B M3X10		
1-12	LE1795001	1	MOTOR BRACKET		
1-13	087321615	2	TAPTITE, CUP S M3X16		
2	087411415	4	TAPTITE, CUP B M4X14		
3	UG3005000	1	FERRITE CORE, 16X8X10		



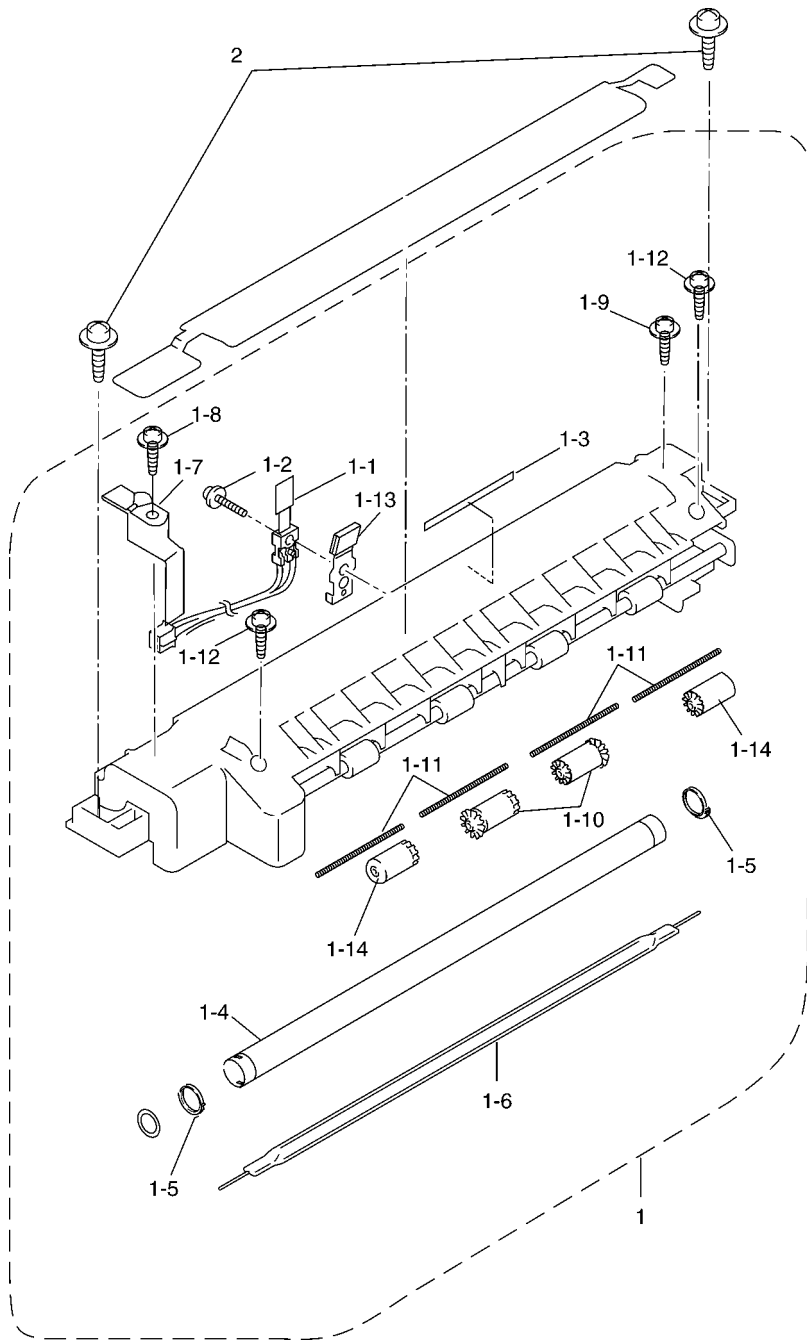
LIST2(LASER UNIT)

REF.NO.	CODE	Q'TY	DESCRIPTION	RECOMMEND	REMARKS
1	LE7197001	1	LASER UNIT(SP)	√	
1-1	UL6614001	1	SCANNER SHEET 1		
1-2	UL6615001	1	SCANNER SHEET 2		
2	LG3162001	1	TONER SENSOR PCB ASSY		
3	087310815	1	TAPTITE, CUP B M3X8		
4	085411215	3	SCREW, BIND B TITE 4X12		
5	UU7043001	1	SCANNER SEAL SPONGE		
6	UL6740001	1	LASER CAUTION LABEL FOR US/CAN/ARL/NZ/ASA		
6	UF7682001	1	LASER CAUTION LABEL FOR TWN		
7	UL6741001	1	TONER CAUTION LABEL FOR US/CAN/ARL/NZ/ASA		
7	UF7683001	1	TONER CAUTION LABEL FOR TWN		
8	UG3005000	1	FERRITE CORE, 16X8X10		



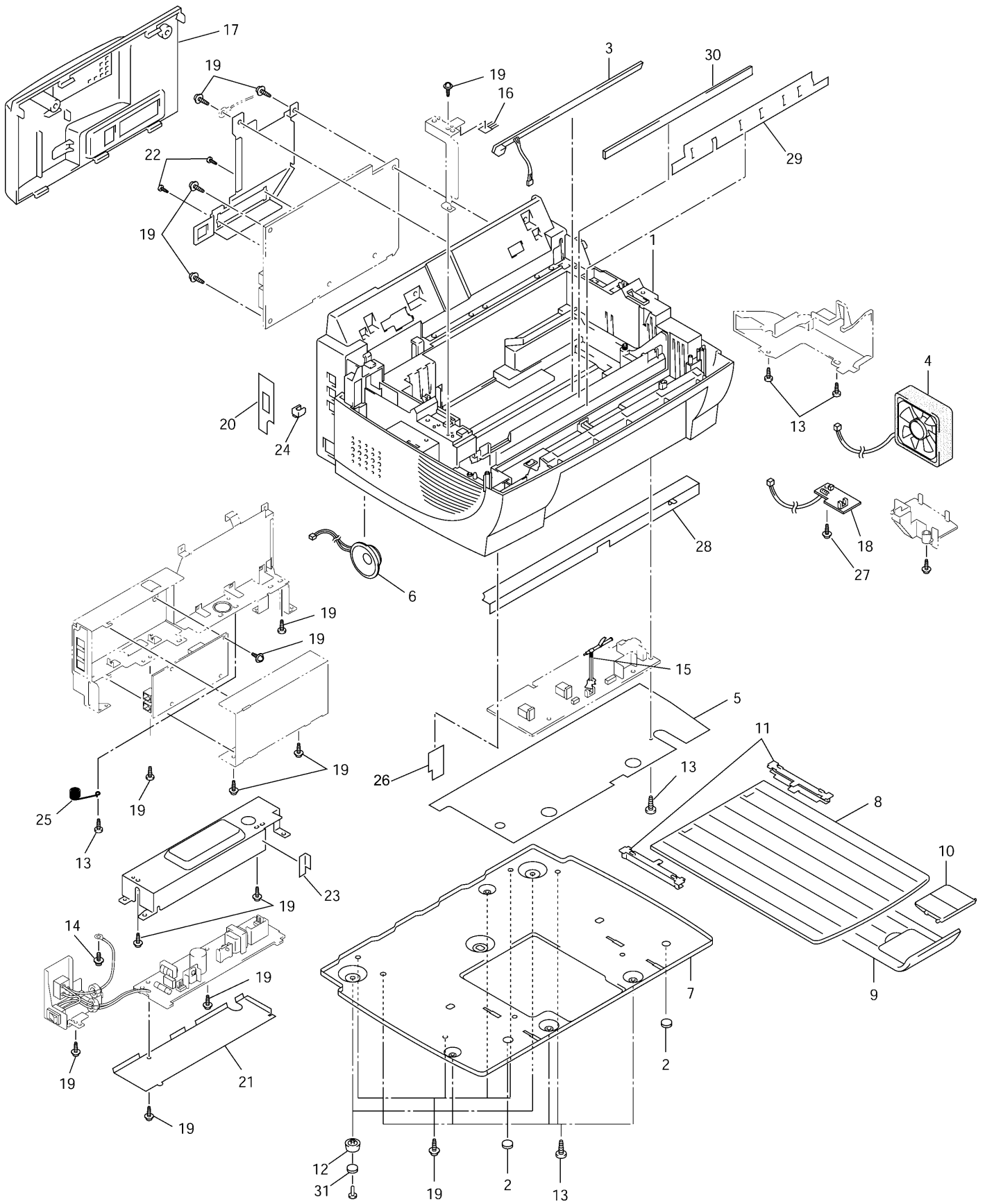
LIST3(PAPER FEED)

REF.NO.	CODE	Q'TY	DESCRIPTION	RECOMMEND	REMARKS
1	LE1833001	1	ASF ASSY, GRAY(1495)		
1-1	LE1844001	1	PLATE SPRING		
1-2	LE1943001	1	SEPARATION PAD ASSY		
1-3	UL5184001	1	SPRING		
1-4	LE1945001	1	PAPER PULL-IN ROLLER		
1-5	LF4230001	1	PAWLED BUSHING L		CHG
1-6	LE1845001	1	REGISTRATION SENSOR ACTUATOR		
1-7	UL6654001	1	PAPER FEED ROLLER		
1-8	UF0026001	2	PAWLED BUSHING R		
1-9	UL6659001	1	CHUTE FILM		
1-10	LJ5219001	1	ANTI-STATIC BRUSH		
1-11	U04887001	3	TAPTITE, BIND B M2.6X8		
1-12	LE7019001	1	BLACK FILM		
2	LE7047001	1	RELEASE LEVER, PURPLE(6255)		
3	LE7137001	1	RELEASE LEVER LABEL		
4	LE1835001	1	RELEASE LEVER SPRING		
5	085411015	1	TAPTITE, BIND B M4X10		
6	085411215	2	TAPTITE, BIND B M4X12		
7	LE1837001	1	RELEASE CAM		



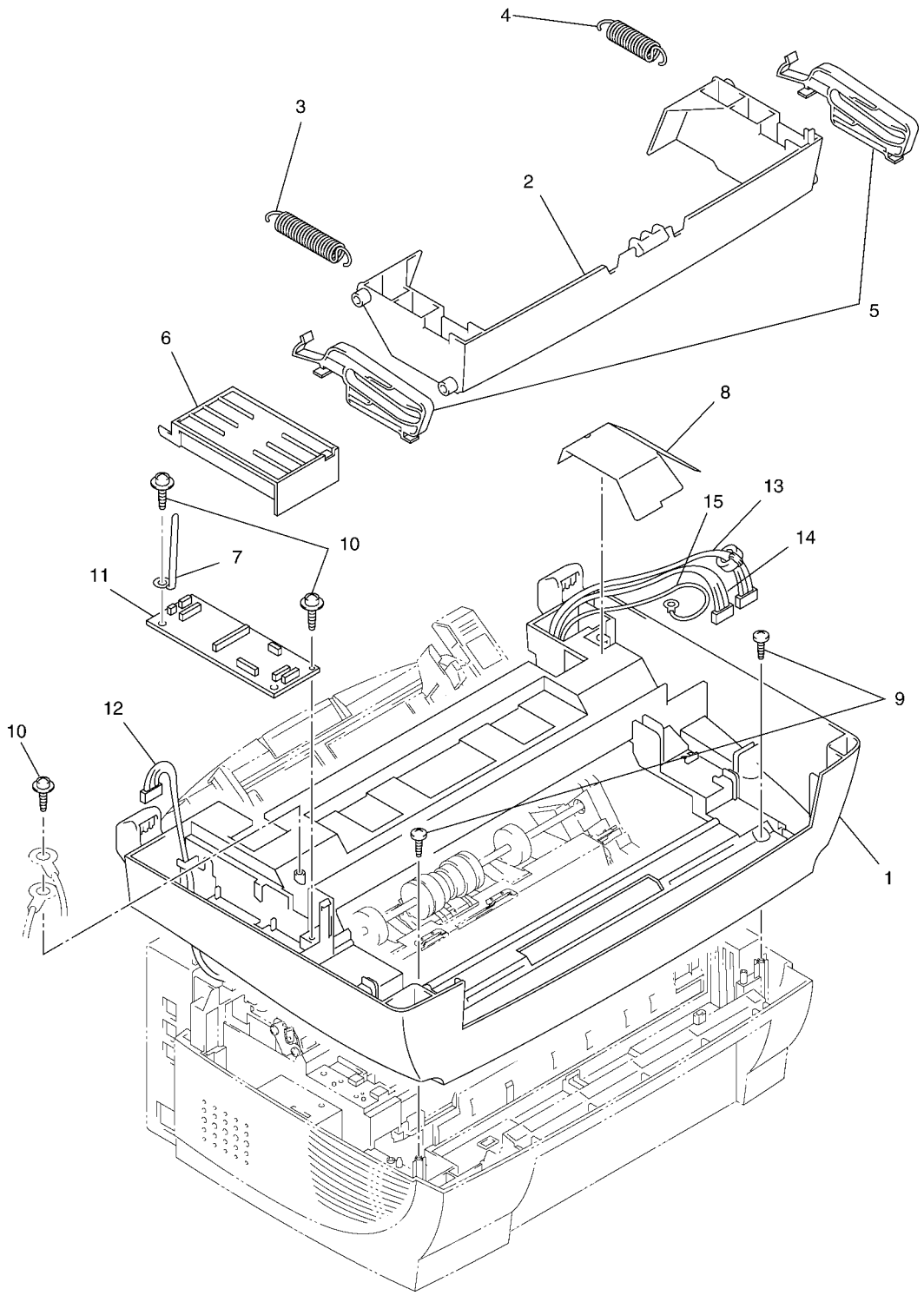
LIST4(FIXING UNIT)

REF.NO.	CODE	Q'TY	DESCRIPTION	RECOMMEND	REMARKS
1	LE7196001	1	HEAT FIXING UNIT 115 ASSY(SP) FOR US/CAN/TWN	√	
1	LE7343001	1	HEAT FIXING UNIT 230 ASSY(SP) FOR ARL/NZ/ASA/KOR	√	
1-1	LE1849001	1	THERMISTER ASSY		
1-2	087311415	1	TAPTITE, CUP B M3X14		
1-3	LE7302001	1	HEATER ROLLER CLEANER FELT		
1-4	LE1850001	1	HEATER ROLLER		
1-5	UH3178000	2	HEATER ROLLER SHAFT HOLDER		
1-6	LE1851001	1	TUNGSTEN HOLOGEN LAMP,115V FOR US/CAN/TWN		
1-6	LE7133001	1	TUNGSTEN HOLOGEN LAMP, 230V FOR ARL/NZ/ASA/KOR		
1-7	UH3182000	1	LOCK PLATE		
1-8	083311016	1	TAPTITE, PAN B M3X10		CHG
1-9	LJ4820001	1	SCREW, PAN(WASHER) M2.6X6DA		
1-10	UH3323001	2	EJECT PINCH ROLLER ASSY		
1-11	UL6682001	4	PINCH SPRING		
1-12	085311216	2	TAPTITE, BIND B M3X12		
1-13	LE7043001	1	CLEANER ASSY		
1-14	UH3324001	2	EJECTION PRESSURE ROLLER		
2	087411616	2	TAPTITE, CUP B M4X16		



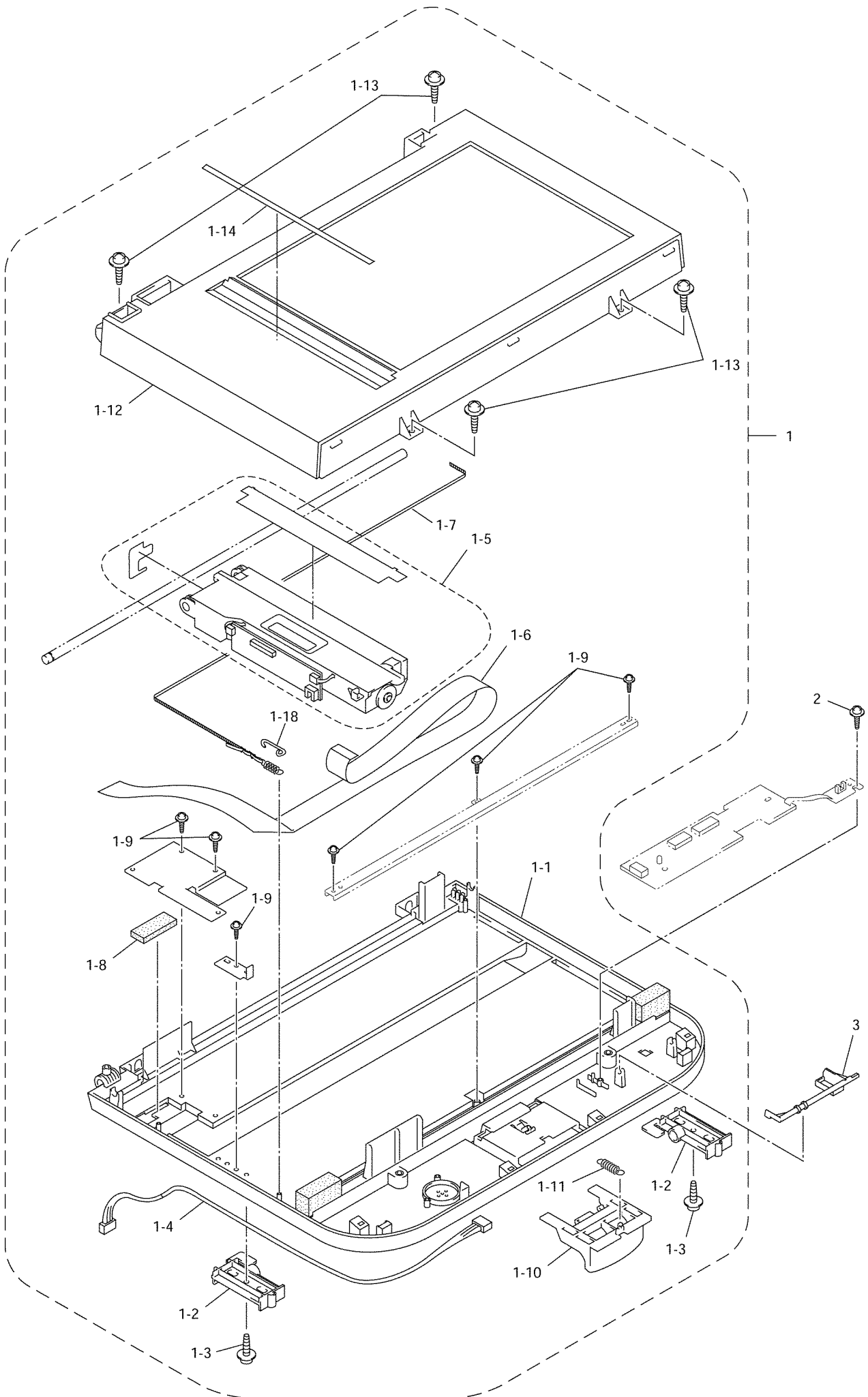
LIST5(MAIN COVER)

REF.NO.	CODE	Q'TY	DESCRIPTION	RECOMMEND	REMARKS
1	LE1786001	1	MAIN COVER, GRAY(1495)		
2	LE7299001	2	RUBBER FOOT (FRONT)		
3	LE1863001	1	EL (ERASER LAMP) BOARD		
4	LF2678001	1	FAN MOTOR ASSY FOR US/CAN		add
4	LF2520001	1	FAN MOTOR ASSY FOR TWN/NZ/ASA/KOR		add
4	LE7059001	1	FAN MOTOR ASSY FOR ARL		
5	LE1865001	1	HIGH-VOLTAGE INSULATOR SHEET		
6	LG3166001	1	SPEAKER		
7	LF2503001	1	BOTTOM PLATE		chg
8	LE1870001	1	PAPER TRAY		
9	LE1871001	1	PAPER SUB TRAY		
10	LJ5599001	1	PAPER STOPPER		
11	LE1872001	2	PAPER TRAY HOLDER		
12	LF2504001	2	BOTTOM LEG		chg
13	085411215	9	SCREW, BIND B TITE 4X12		
14	UF6559001	1	SCREW, PAN (WASHER) M4X8DB		
15	LE1874001	1	PAPER EJECTION SENSOR ACTUATOR		
16	LE1876001	1	ANTI-STATIC BRUSH		
17	LE1877001	1	BOARD ACCESS COVER		
18	LG3279001	1	MAIN-FAN PCB ASSY		
19	087320616	18	TAPTITE, CUP S M3X6		
20	LE1253001	1	MODULAR JACK FILM, MFC6800/MFC9180		
20	LE1435001	1	MODULAR JACK FILM, DCP1000/MFC9160		
21	LF6629001	1	LOW-VOLTAGE INSULATOR SHEET		CHG
22	083321416	2	TAPTITE, PAN S M3X14		chg
23	LE7142001	1	PS SHIELD FILM		
24	----		NOT USED		
25	LE7883001	1	GROUNDING SPRING, MFC9160/MFC9180		
26	LE7898001	1	PROTECTION FILM		
27	087310815	2	TAPTITE, CUP B M3X8		
28	LE1967001	1	DUCT FILM		add
29	UU7047001	1	HEAT INSULATION SHEET		add
30	UU7048001	1	LABEL SPONGE		add
31	LF2505001	2	RUBBER FOOT (REAR)		chg



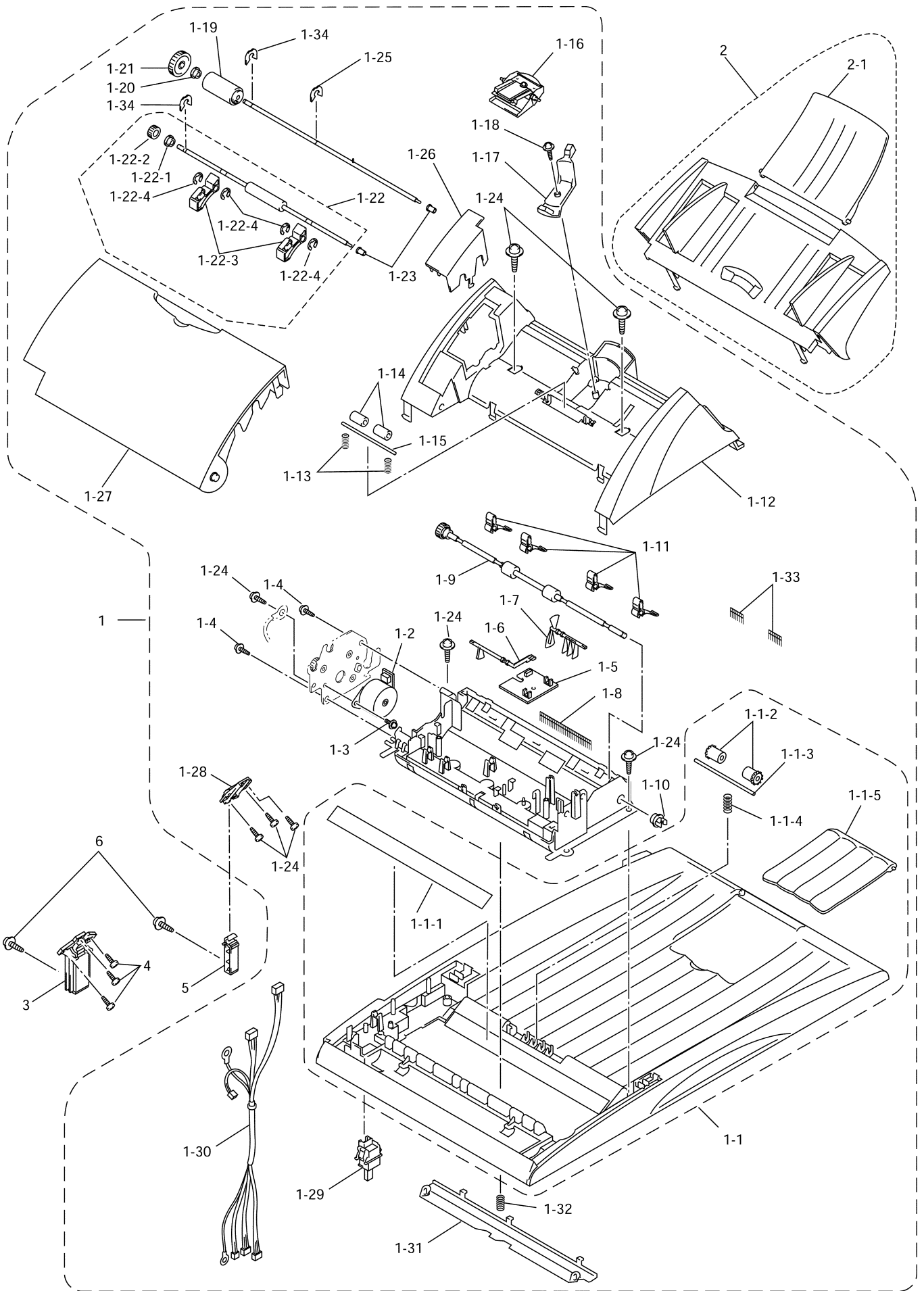
LIST6(JOINT COVER)

REF.NO.	CODE	Q'TY	DESCRIPTION	RECOMMEND	REMARKS
1	LE1788001	1	SCANNER MOUNT		
2	LE1992001	1	FRONT COVER		
3	LE7421001	1	SCANNER SPRING L		
4	LE7422001	1	SCANNER SPRING R		
5	LE1994001	2	FRONT COVER GUIDE		
6	LE7026001	1	RELAY PCB COVER		
7	LE7660001	1	COATING CLIP		
8	LE7173001	1	HARNESS COVER		
9	085411216	2	TAPTITE, BIND B M4X12		
10	087311016	5	TAPTITE, CUP B M3X10		
11	LG3266001	1	RELAY PCB ASSY	√	
12	LG3272001	1	RELAY (CCD/SEN) HARNESS		
13	LG3273001	1	RELAY (ADF) HARNESS		
14	LG3274001	1	RELAY (CCD/PANEL) HARNESS		
15	LG3275001	1	GROUNDING WIRE		



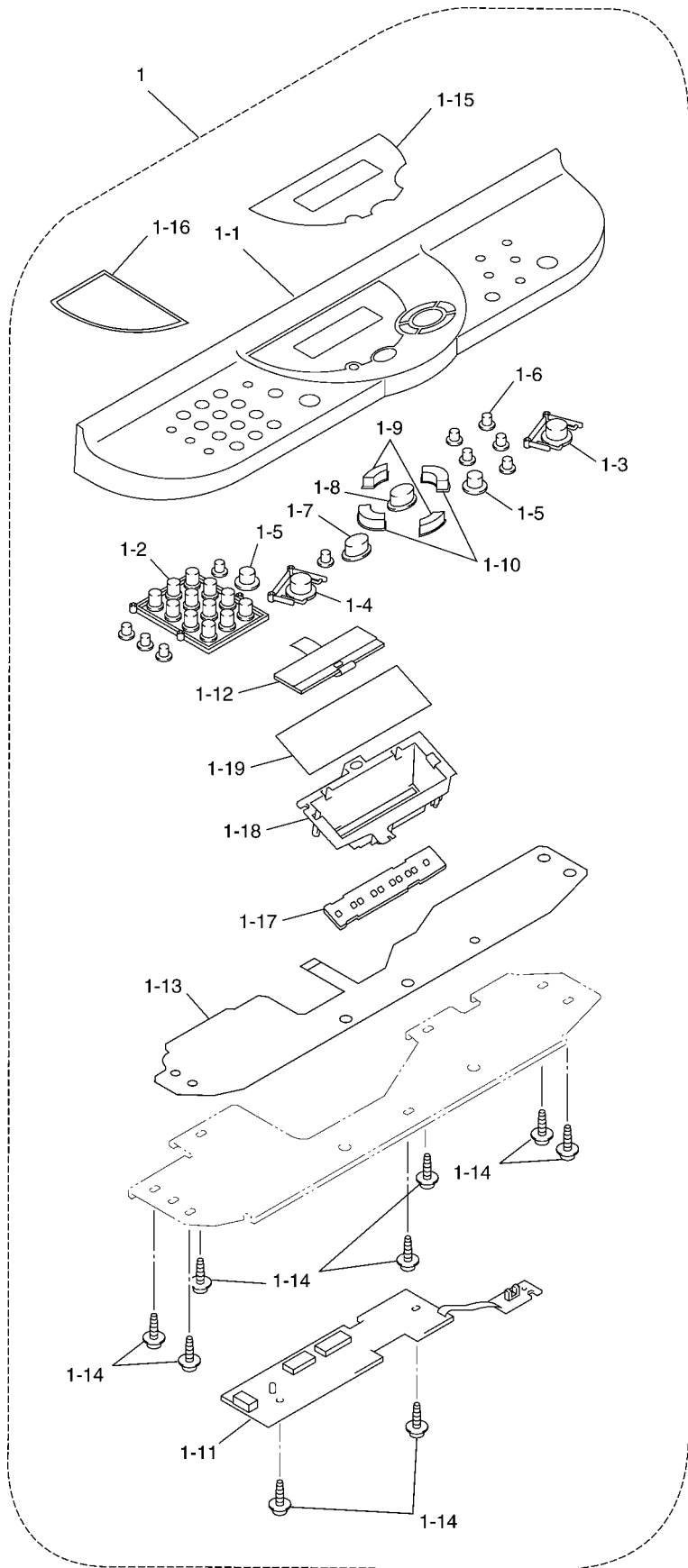
LIST7(DOCUMENT SCANNER)

REF.NO.	CODE	Q'TY	DESCRIPTION	RECOMMEND	REMARKS
1	LF2297001	1	FB SCANNER UNIT (SP)	√	chg
1-1	LE1789001	1	SCANNER BASE, GRAY(1495)		
1-2	LE6253001	2	FRONT COVER CONNECTOR		
1-3	087411216	2	TAPTITE, CUP B M4X12		
1-4	LG3233001	1	PANEL HARNESS		
1-5	LF2492001	1	CCD UNIT (SP)		CHG
1-6	LE6351001	1	CCD FLAT CABLE		
1-7	LE6353001	1	CCD DRIVE BELT ASSY		
1-8	LE6260001	1	SPONGE		
1-9	087310816	6	TAPTITE, CUP B M3X8		
1-10	LE6263001	1	SCANNER OPEN LEVER, PURPLE(6255)		
1-11	LE6264001	1	LEVER SPRING		
1-12	LE6267001	1	SCANNER TOP COVER ASSY		
1-13	087411216	4	TAPTITE, CUP B M4X12		
1-14	LE8107001	4	CCD PROTECTOR R		del
1-15	LE8108001	4	CCD PROTECTOR F		del
1-14	LE6355001	1	DOCUMENT SET LABEL		
1-15	LE7047001	4	BELT STOPPER		del
1-18	LE8826001	1	BELT HOLDING SPRING		add
2	087310815	1	TAPTITE, CUP B M3X8		
3	LE2095001	1	SCANNER OPEN SENSOR ACTUATOR		



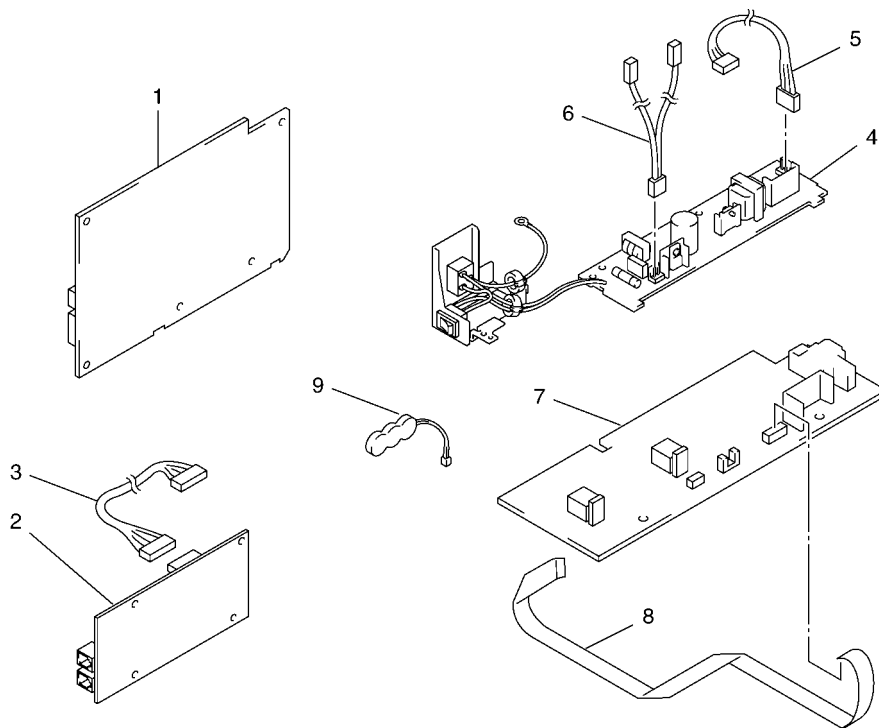
LIST8(ADF)

REF.NO.	CODE	Q'TY	DESCRIPTION	RECOMMEND	REMARKS
1	LE6201001	1	ADF/DOCUMENT TRAY ASSY	√	
1-1	LE9437001	1	DOCUMENT TRAY SUB ASSY		
1-1-1	LE6205001	1	CHUTE FILM		
1-1-2	UL6244002	2	PINCH ROLLER		
1-1-3	LE2471001	1	PINCH ROLLER SHAFT		
1-1-4	LE6206001	1	PINCH ROLLER SPRING		
1-1-5	LE6207001	1	DOCUMENT STOPPER		
1-2	LE6214001	1	ADF MOTOR		
1-3	0A4300605	1	SCREW, PAN WASHER M3X6		
1-4	087310815	2	TAPTITE, CUP B M3X8		
1-5	LG3216001	1	DOCUMENT SENSOR PCB ASSY		
1-6	LE6219001	1	DOCUMENT REAR SENSOR ACTUATOR		
1-7	LE6220001	1	DOCUMENT FRONT SENSOR ACTUATOR		
1-8	LE6221001	1	ANTI-STATIC BRUSH		
1-9	LE6222001	1	DOCUMENT EJECTION ROLLER ASSY		
1-10	UF0026001	1	PAWLED BUSHING		
1-11	LE6334001	4	DOCUMENT GUIDE CLIP		
1-12	LE6226001	1	UPPER ADF CHUTE		
1-13	LE2472001	2	PRESSURE ROLLER SPRING		
1-14	UF9009001	2	PRESSURE ROLLER		
1-15	LE2471001	1	PRESSURE ROLLER SHAFT		
1-16	LE6345001	1	SEPARATION RUBBER UNIT		
1-17	LE6330001	1	ADF THICKNESS ADJUSTER		
1-18	UF5034001	1	TAPTITE, B M3X6		
1-19	LE2037001	1	SEPARATION ROLLER		
1-20	LE6494001	1	BUSHING		
1-21	LE6230001	1	SEPARATION ROLLER GEAR		
1-22	LE6233001	1	DOCUMENT FEED ROLLER ASSY		
1-22-1	LE6494001	1	BUSHING		
1-22-2	LE6495001	1	DOCUMENT FEED ROLLER GEAR		
1-22-3	LE6492001	2	DOCUMENT FEED PAPER CHUTE		
1-22-4	048050346	4	RETAINING RING		
1-23	UF9949001	2	BUSHING S (SEPARATION ROLLER, FEED ROLLER)		
1-24	087311016	8	TAPTITE, CUP B M3X10		
1-25	048050346	1	RETAINING RING E5		
1-26	LE6236001	1	GEAR COVER, GRAY(1495)		
1-27	LE6237001	1	ADF COVER, GRAY(1495)		
1-28	LE6245001	1	HINGE BASE R		
1-29	LG3218001	1	DOCUMENT TRAY OPEN SENSOR		
1-30	LG3219001	1	ADF MOTOR SENSOR HARNESS ASSY		
1-31	LE8834001	1	DOCUMENT PRESSURE BAR		chg
1-32	LE6218001	1	SPRING		
1-33	LE6609001	2	ANTI-STATIC BRUSH S		
1-34	LE2537001	2	PLASTIC RETAINING RING 5		
2	LF2521001	1	DOCUMENT GUIDE BASE		CHG
2-1	LE6250001	1	DOCUMENT SUPPORT, CLEAR PURPLE(6342)		
3	LE6238001	1	HINGE L		
4	087311016	3	TAPTITE, CUP B M3X10		
5	LE6244001	1	HINGE ARM		
6	085411215	2	SCREW, BIND B M4X12		



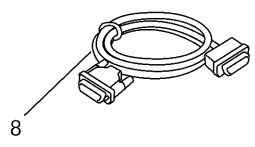
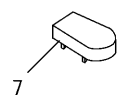
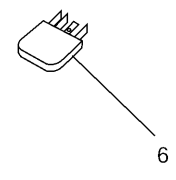
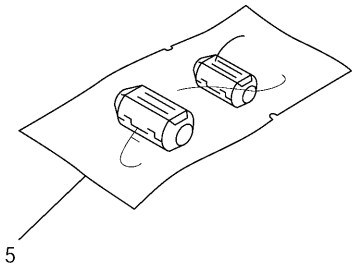
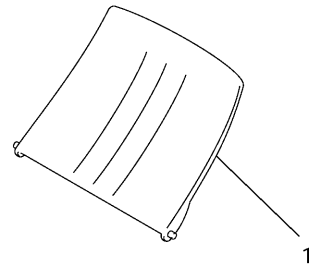
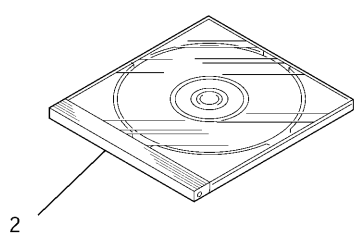
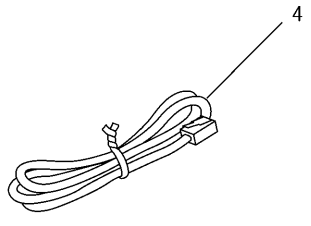
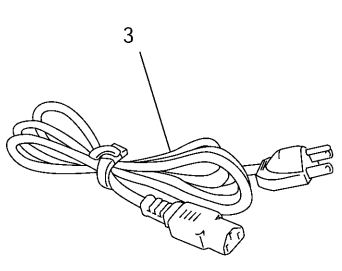
LIST9(CONTROL PANEL)

REF.NO.	CODE	Q'TY	DESCRIPTION	RECOMMEND	REMARKS
1	LE1999001	1	CONTROL PANEL ASSY, DCP1000 FOR US	√	
1	LE7795001	1	CONTROL PANEL ASSY, DCP1000 FOR TWN	√	
1	LE1974001	1	CONTROL PANEL ASSY, MFC6800	√	
1	LE7396001	1	CONTROL PANEL ASSY, MFC9160	√	
1	LE7618001	1	CONTROL PANEL ASSY, MFC9180 EXCEPT FOR KOR	√	
1	LF2051001	1	CONTROL PANEL ASSY, MFC9180 FOR KOR	√	add
1-1	LE7001001	1	CONTROL PANEL, DCP1000 FOR US		
1-1	LE7796001	1	CONTROL PANEL, DCP1000 FOR TWN		
1-1	LE1975001	1	CONTROL PANEL, MFC6800		
1-1	LE7179001	1	CONTROL PANEL, MFC9160		
1-1	LE7619001	1	CONTROL PANEL, MFC9180 EXCEPT FOR KOR		
1-1	LF2052001	1	CONTROL PANEL, MFC9180 FOR KOR		add
1-2	LJ4284001	1	KEY, TEN, GRAY(1495), DCP1000/MFC916C		
1-2	LE3431001	1	KEY, TEN, GRAY(1495), MFC6800/MFC918C		
1-3	LJ4285001	1	KEY, COPY, GREEN(5159)		
1-4	LJ4285002	1	KEY, START, GRAY(1495), DCP1000/MFC916C		
1-4	LJ4285004	1	KEY, START, PURPLE(6255), MFC6800/MFC918C		
1-5	LE6171001	2	KEY, CYLINDER9.5, GRAY(1495)		
1-6	LE7276001	7	KEY, CYLINDER 6, GRAY(1495), DCP1000/MFC916C		
1-6	LE7276001	10	KEY, CYLINDER 6, GRAY(1495), MFC6800/MFC918C		
1-7	LE6170002	1	KEY, STOP, PINK(2205)		
1-8	LE6079001	1	KEY, MENU		
1-9	LE6168001	2	KEY, CURSOR L, PURPLE(6255)		
1-10	LE6169001	2	KEY, CURSOR S, PURPLE(6255)		
1-11	LG3250001	1	CONTROL PANEL PCB ASSY, DCP1000/MFC6800		
1-11	LG3445001	1	CONTROL PANEL PCB ASSY, MFC9160/MFC9180		
1-12	UG4552000	1	LCD, DCP1000/MFC6800		
1-12	LJ8529001	1	LCD, MFC9160/MFC918C		
1-13	LG5639001	1	FPC KEY		CHG
1-14	087310615	9	TAPTITE, CUP B M3X6		
1-15	LE7003001	1	LCD SHEET, DCP1000 FOR US	√	
1-15	LE8090001	1	LCD SHEET, DCP1000 FOR TWN	√	
1-15	LE1977001	1	LCD SHEET, MFC6800	√	
1-15	LE7182001	1	LCD SHEET, MFC9160	√	
1-15	LE7181001	1	LCD SHEET, MFC9180	√	
1-16	LE7278001	1	LOGO PLATE, DCP1000 FOR US		
1-16	LE7279001	1	LOGO PLATE, DCP1000 FOR TWN		
1-16	LE7279001	1	LOGO PLATE, MFC9160		
1-17	LG3446001	1	BACK LIGHT PCB, MFC9160/MFC9180		
1-18	LE7353001	1	BACK LIGHT HOLDER, MFC9160/MFC9180		
1-19	LE7354001	1	BACK LIGHT FILM, MFC9160/MFC918C		
2	087311216	6	TAPTITE, CUP B M3X12		



LIST10(PCB)

REF.NO.	CODE	Q'TY	DESCRIPTION	RECOMMEND	REMARKS
1	LG3277001	1	MAIN PCB ASSY, DCP1000	√	
1	LG3264001	1	MAIN PCB ASSY, MFC6800	√	
1	LG3444001	1	MAIN PCB ASSY, MFC9160	√	
1	LG3442001	1	MAIN PCB ASSY, MFC9180	√	
2	LG3252001	1	NCU PCB ASSY, MFC6800 FOR US	√	
2	LG3252002	1	NCU PCB ASSY, MFC6800 FOR CAN	√	
2	LG2819001	1	NCU PCB ASSY, MFC9180 FOR ARL/NZ	√	
2	LG2821001	1	NCU PCB ASSY, MFC9180 FOR ASA	√	
2	LG2821044	1	NCU PCB ASSY, MFC9180 FOR KOR	√	chg
3	LG3254001	1	NCU HARNESS, MFC6800		
3	LG3491001	1	NCU HARNESS, MFC9180		
4	LG5119001	1	LOW-VOLTAGE POWER SUPPLY PCB ASSY, DCP1000/MFC6800 FOR US/CAN	√	add
4	LG5121001	1	LOW-VOLTAGE POWER SUPPLY PCB ASSY, DCP1000 FOR TWN	√	chg
4	LG5124001	1	LOW-VOLTAGE POWER SUPPLY PCB ASSY, MFC9180 FOR ARL/NZ	√	CHG
4	LG3481001	4	LOW-VOLTAGE POWER SUPPLY PCB ASSY, MFC9180 FOR ARL	√	DEL
4	LG5126001	1	LOW-VOLTAGE POWER SUPPLY PCB ASSY, MFC9160/MFC9180 FOR ASA/KOR	√	chg
5	LG3195001	1	LOW-VOLTAGE POWER HARNESS		
6	LG3196001	1	HEATER HARNESS		
7	LG3197001	4	HIGH-VOLTAGE POWER SUPPLY PCB ASSY FOR ARL	√	DEL
7	LG5009001	1	HIGH-VOLTAGE POWER SUPPLY PCB ASSY	√	CHG
8	LG3198001	1	HIGH-VOLTAGE POWER FLAT CABLE		
9	LG3429001	1	BATTERY, MFC9180		



LIST11(Accessories)

REF.NO.	CODE	Q'TY	DESCRIPTION	RECOMMEND	REMARKS
1	UU2080008	1	PAPER SUPPORT, CLEAR PURPLE(6342)		
2	LE7004001	1	CD-ROM ASSY, DCP1000 FOR US/TWN		
2	LE7578001	1	CD-ROM ASSY, MFC6800 FOR US/CAN		
2	LE7385001	1	CD-ROM ASSY, MFC9160 FOR ASA		
2	LE7621001	1	CD-ROM ASSY, MFC9180 FOR ARL/NZ/ASA/KOR		
3	LG4400001	1	AC CORD ASSY, DCP1000/MFC6800 FOR US/CAN/TWN	√	CHG
3	LJ9667001	1	AC CORD ASSY, SAA, MFC9160 FOR ASA, MFC9180 FOR ARL/NZ	√	chg
3	LG2085001	1	AC CORD ASSY, VDE, MFC9160/MFC9180 FOR ASA/KOR	√	
3	LG6208001	1	AC CORD BAG ASSY LF BS/PSB, MFC9160/MFC9180 FOR ASA	√	chg
4	LG3077001	1	TELEPHONE LINE CORD, MFC6800 FOR US/CAN, MFC9180 FOR ARL/ASA/KOR		
4	UG3290001	1	TELEPHONE LINE CORD, MFC9180 FOR NZ/HK		
5	LE3602001	1	FERRITE CORE BAG ASSY, DCP1000/MFC6800 FOR US/CAN/TWN (INCLUDING 2PCS)		
5	LE7699001	1	FERRITE CORE BAG ASSY, MFC9160/MFC9180 FOR ARL/NZ/ASA/KOR		chg
6	----		NOT USED		
7	LG3509001	1	TELEPHONE PLUG FOR ARL		
8	UG4558001	1	PARALLEL I/F CABLE, MFC9160/MFC918C		
(9)	UF8263001	1	TEST CHART TC-027		
(10)	LE8791001	1	CD-ROM ASSY XP, MFC9160 FOR ASA		add
(11)	UG3468000	1	BT-MJ ADAPTER FOR HK		add

LIST12(PRINTED MATERIAL)

REF.NO.	CODE	Q'TY	DESCRIPTION	RECOMMEND	REMARKS
(1)	LE7007001	1	OWNER'S MANUAL ASSY, DCP1000 (INCLUDING OWNER'S MANUAL(REF.No.(1-1) LICENSE GUIDE, WARRANTY CARD, REORDER FORM, PAPER SUPPORT ASSY, CD-ROM ASSY)	√	
(1)	LE8250001	1	OWNER'S MANUAL ASSY, MFC6800 FOR US (INCLUDING OWNER'S MANUAL(REF.No.(1-1) LICENSE GUIDE, WARRANTY CARD, REORDER FORM PAPER SUPPORT ASSY, CD-ROM ASSY)	√	
(1)	LE7365001	1	OWNER'S MANUAL ASSY, MFC6800 FOR CAN (INCLUDING 2 OWNER'S MANUALS(REF.No.(1-1) LICENSE GUIDE, WARRANTY CARD, REORDER FORM, FRENCH STICKER, PAPER SUPPORT ASSY, CD-ROM ASSY)	√	
(1)	LE7608001	1	OWNER'S MANUAL ASSY, MFC9160 FOR ASA (INCLUDING OWNER'S MANUAL(REF.No.(1-1) LICENSE GUIDE)	√	
(1)	LE8550001	1	USER'S GUIDE ASSY, MFC9180 FOR ARL (INCLUDING USER'S GUIDE(REF.No.(1-1) QUICK REFERENCE GUIDE, LICENSE GUIDE)	√	
(1)	LE8551001	1	USER'S GUIDE ASSY, MFC9180 FOR ASA (INCLUDING USER'S GUIDE(REF.No.(1-1) QUICK REFERENCE GUIDE, LICENSE GUIDE)	√	
(1)	LE8552001	1	USER'S GUIDE ASSY, MFC9180 FOR NZ (INCLUDING USER'S GUIDE(REF.No.(1-1) LICENSE GUIDE, WARRANTY CARD)	√	
(1-1)	LE7008001	1	OWNER'S MANUAL, DCP1000		
(1-1)	LE1984001	1	OWNER'S MANUAL, MFC6800 FOR US/CAN(ENGLISH)		
(1-1)	LE7367001	1	OWNER'S MANUAL, MFC6800 FOR CAN (FRENCH)		
(1-1)	LE7398004	1	OWNER'S MANUAL, MFC9160		
(1-1)	LE8518001	1	USER'S GUIDE, MFC9180		
(1-2)	LE7366001	1	FRENCH STICKER, MFC6800 FOR CAN		

LIST13(PACKING)

REF.NO.	CODE	Q'TY	DESCRIPTION	RECOMMEND	REMARKS
(1)	LE7010001	1	CARTON, BROTHER, DCP1000	√	
(1)	LE1985001	1	CARTON, BROTHER, MFC6800	√	
(1)	LE7390001	1	CARTON, BROTHER, MFC9160	√	
(1)	LE7360001	1	CARTON, BROTHER, MFC9180	√	
(2)	LE1986001	1	STYROFOAM ASSY		
(3)	LJ0763001	1	BAG, 1000X1000H		
(4)	LE7467001	1	PE SHEET, 306X450 (FOR SCANNER GLASS)		
(5)	LE7012001	1	CARTON FOR MANUAL, MFC9160/MFC9180		
(6)	LE7011001	1	START CARD, DCP1000		
(6)	LE1989001	1	START CARD, MFC6800 FOR US/CAN (ENGLISH)		
(6)	LE7368001	1	START CARD, MFC6800 FOR CAN (FRENCH)		
(6)	LE7399001	1	START CARD, MFC9160		
(6)	LE7625001	1	START CARD, MFC9180 EXCEPT FOR KOR		
(7)	UL7932001	1	BAG 400X480 (FOR TONER/DRUM)		
(8)	LE7714001	1	PE SHEET, 280X500		
(9)	UU0456001	1	PROTECTION PAPER (FOR ADF)		
(10)	LE8252001	1	QUICK SET UP GUIDE XP, MFC9160 FOR ASA		add

brother®

8C5613
PL-FAX012
Ver. AD-1