



**FACSIMILE EQUIPMENT
PARTS REFERENCE LIST**

**MODEL: MFC215C / 425CN / 620CN
FAX2440C
DCP115C / 116C / 117C
DCP120C / 315CN**

**(For Germany / United Kingdom / France /
Belgium / Netherlands / Switzerland /
Ireland / Denmark / Austria / Spain / Italy /
Portugal / China / Singapore / Gulf /
Russia / Oceania (Australia / New Zealand)
/ Pan-Nordic (Norway / Finland / Sweden) /
Iberia (Spain / Portugal) / Euro Generic)**

© Copyright Brother 2005

All rights reserved

No part of this publication may be reproduced in any form
or by any means without permission in writing from the
publisher.

Specifications are subject to change without prior notice.

NOTES FOR USING THIS PARTS REFERENCE LIST

1. In the case of ordering parts, it needs mentioning the following items:

- (1) Code
- (2) Q' ty
- (3) Description
- (4) Recommend (The √ mark is attached to recommend parts at this column.)
- (5) Symbol (PCB No., Revision, and Parts location mounted on the PCB.)

Note: No orders without Parts Code or Tool No. can be accepted.

[Example]

	(1)	(2)	(3)	(4)	(5)	
REF.NO.	CODE	Q' TY	DESCRIPTION	RECOMMEND	SYMBOL	REMARKS

2. Design-changed parts:

When the parts are changed, any one of the following symbols is mentioned in the REMARKS column.

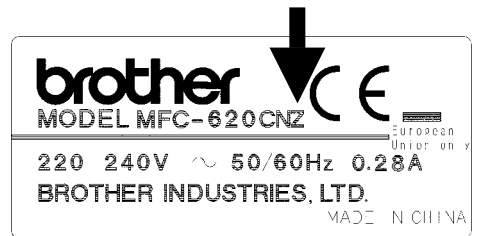
CHG (chg): The part is changed to a new part.

ADD (add): The part is newly added.

DEL (del): The part is deleted.

Symbol in capital letters indicates that the change is the latest one in the page.

3. Models in this parts reference list have the character "Z" at the end of model name. However, this "Z" does not appear after a model name when it is written on the control panel of the actual product. The difference between the new and old model can be determined by the character "Z" written on the Rating Label affixed to the back of the product. New models have the "Z", old models do not. The image at the right shows the label of a new model. Therefore, if there is the character "Z" in the label, use this parts reference list.



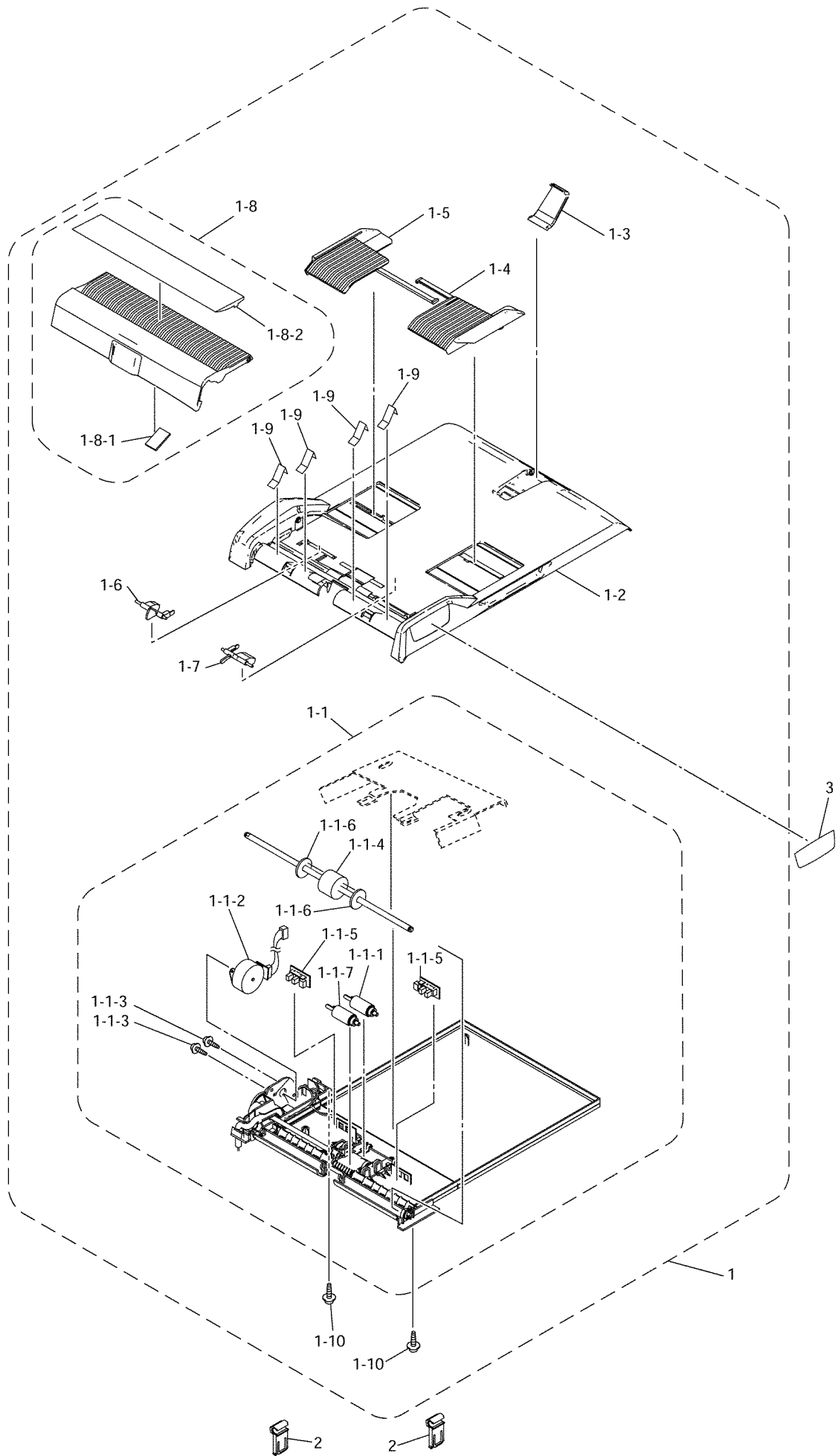
4. Parts change will be informed by the technical information.

COUNTRIES

- GERMAN ----- GER
- UNITED KINGDOM ----- UK
- FRANCE ---- FRA
- BELGIUM ---- BEL
- NETHERLANDS ---- NLD
- SWITZERLAND ---- CHE
- IRELAND ---- IRE
- DENMARK ---- DEN
- AUSTRIA ---- AUS

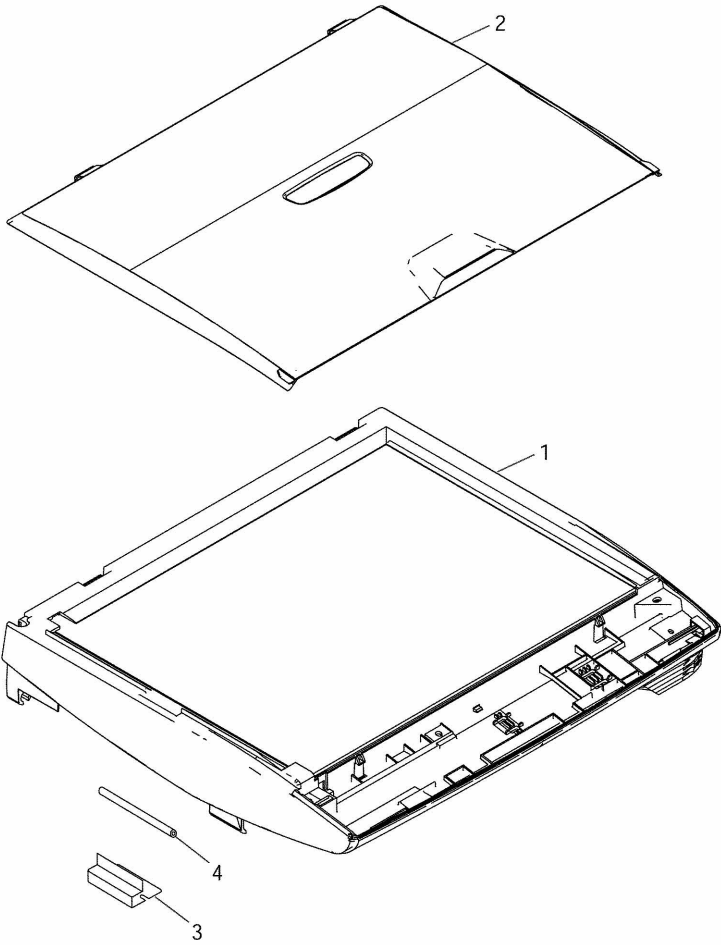
- SPAIN ---- SPA
- ITALY ---- ITA
- CHINA ---- CHN
- SINGAPORE ---- SIN
- GULF ---- GUL
- RUSSIA ---- RUS
- OCEANIA (ARL & NZ) ---- OCE
- PAN NORDIC ---- PND
- IBERIA (SPA & POR) ---- IBR

- EURO GENERIC ---- GNR
- PORTUGAL --- POR



REF No.	CODE	QTY	DESCRIPTION	RECOMMEND	REMARK
1	LP0657005	1	ADF UNIT, DCP120C	√	
1	LP0657004	1	ADF UNIT, FAX2440C	√	
1	LP0657003	1	ADF UNIT, MFC425CN/MFC620CN	√	
1-1	LP0585001	1	DOCUMENT SUPPORT ASSY		
1-1-1	LF7006001	1	DOCUMENT PULL-IN ROLLER		
1-1-2	LF4953001	1	ADF MOTOR		
1-1-3	0A5300605	2	SCREW, PAN (S/P WASHER) M3X6		
1-1-4	LF4955001	1	DOCUMENT FEED ROLLER		
1-1-5	LG2239001	2	DOCUMENT SENSOR		
1-1-6	LF7681001	2	ROLLER SUPPORT		
1-1-7	LF4944001	1	DOCUMENT SEPARATION ROLLER		
1-2	LP0139005	1	DOCUMENT COVER, GRAY(1795), DCP120C		
1-2	LP0139003	1	DOCUMENT COVER, GRAY(1742), MFC425CN/MFC620CN		
1-2	LP0139004	1	DOCUMENT COVER, GRAY(1737), FAX2440C		
1-3	LF4964005	1	DOCUMENT STOPPER, GRAY(1795), DCP120C		
1-3	LF4964003	1	DOCUMENT STOPPER, GRAY(1742), MFC425CN/MFC620CN		
1-3	LF4964004	1	DOCUMENT STOPPER, GRAY(1737), FAX2440C		
1-4	LF4965005	1	OUTPUT DOCUMENT SUPPORT, F, GRAY(1795), DCP120C		
1-4	LF4965003	1	OUTPUT DOCUMENT SUPPORT, F, GRAY(1742), MFC425CN/MFC620CN		
1-4	LF4965004	1	OUTPUT DOCUMENT SUPPORT, F, GRAY(1737), FAX2440C		
1-5	LF4966005	1	OUTPUT DOCUMENT SUPPORT, R, GRAY(1795), DCP120C		
1-5	LF4966003	1	OUTPUT DOCUMENT SUPPORT, R, GRAY(1742), MFC425CN/MFC620CN		
1-5	LF4966004	1	OUTPUT DOCUMENT SUPPORT, R, GRAY(1737), FAX2440C		
1-6	LF4967001	1	DOCUMENT FRONT SENSOR ACTUATOR		
1-7	LF4968001	1	DOCUMENT REAR SENSOR ACTUATOR		
1-8	LF4969005	1	ADF COVER ASSY, GRAY(1795), DCP120C		
1-8	LF4969003	1	ADF COVER ASSY, GRAY(1742), MFC425CN/MFC620CN		
1-8	LF4969004	1	ADF COVER ASSY, GRAY(1737), FAX2440C		
1-8-1	LF4975001	1	SEPARATION PAD		
1-8-2	LF5356005	1	EXIT COVER, SMOKE GRAY(1796), DCP120C		
1-8-2	LF5356001	1	EXIT COVER, SMOKE GRAY(1478), MFC425CN/MFC620CN		
1-8-2	LF5356004	1	EXIT COVER, GRAY(1737), FAX2440C		
1-9	LF5144001	4	EXIT FILM, MFC425CN/MFC620CN		
1-10	085411216	2	TAPTITE BIND B M4X12, FAX2440C/MFC620CN		
2	LF4976005	2	HINGE, GRAY(1792), DCP120C		
2	LF4976001	2	HINGE, GRAY(1742), FAX2440C/MFC425CN/MFC620CN		
3	LF5081001	1	EMBLEM BROTHER, FAX2440C/MFC620CN, MFC425CN EXCEPT FOR CHN		
3	LF5024001	1	EMBLEM, MFC425CN FOR CHN		ADD
3	LP0188002	1	EMBLEM BROTHER, DCP120C EXCEPT FOR CHN		ADD
3	LF5024002	1	EMBLEM, DCP120C FOR CHN		ADD

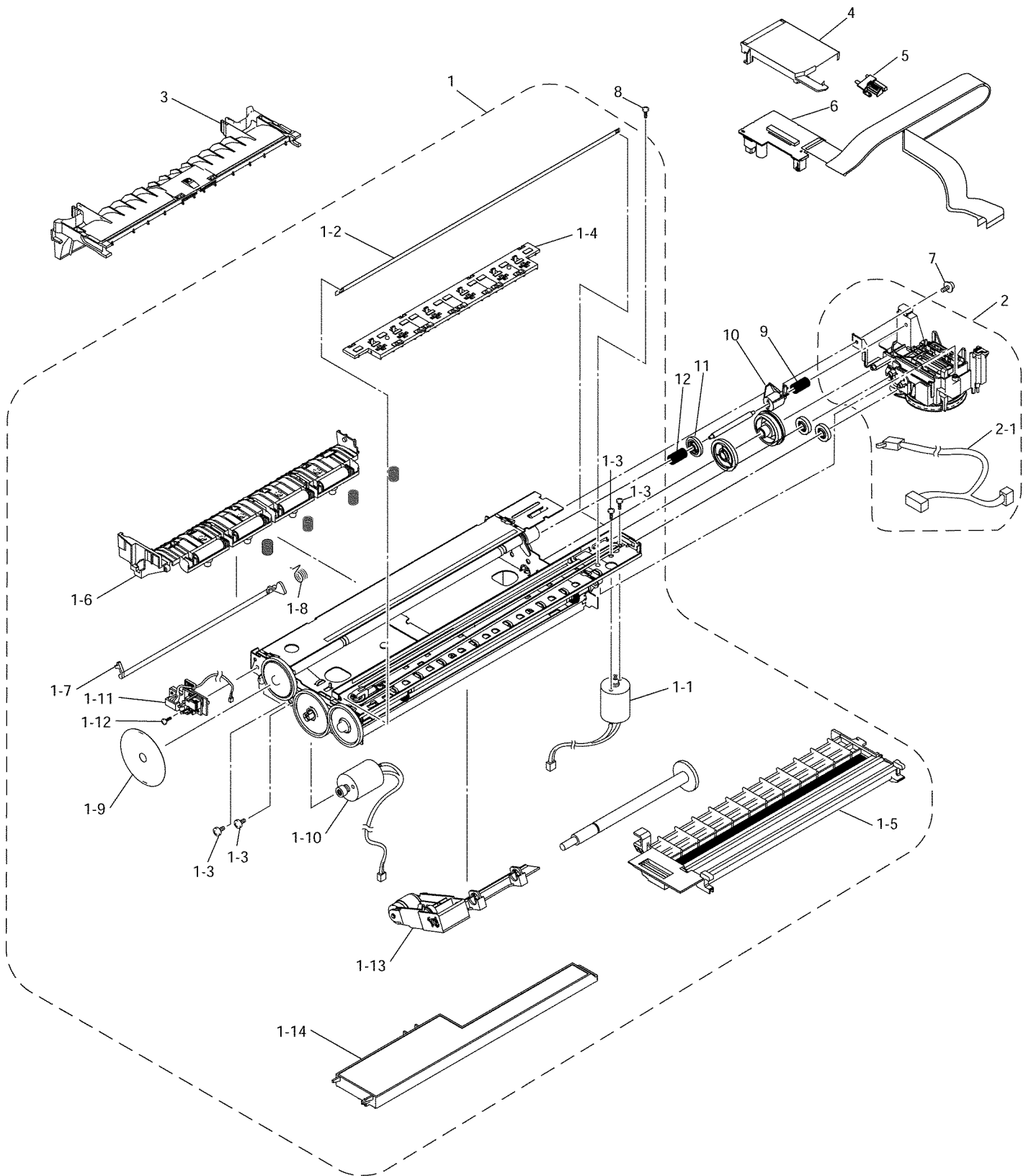
2 SCANNER



List2(SCANNER)

REF No.	CODE	QTY	DESCRIPTION	RECOMMEND	REMARK
1	LP0813001	1	SCANNER UNIT, DCP117C/MFC215C	√	chg
1	LP0813003	1	SCANNER UNIT, DCP116C/DCP315CN/MFC425CN/MFC620CN	√	chg
1	LP0813005	1	SCANNER UNIT, DCP115C/DCP120C	√	chg
1	LP0813004	1	SCANNER UNIT, FAX2440C	√	chg
2	LP0207005	1	DOCUMENT COVER ASSY, GRAY(1792), DCP115C/MFC215C EXCEPT FOR CHN		
2	LP0969005	1	DOCUMENT COVER ASSY, GRAY(1792), DCP115C/MFC215C FOR CHN		add
2	LP0207001	1	DOCUMENT COVER ASSY, GRAY(1581), DCP117C		
2	LP0207003	1	DOCUMENT COVER ASSY, GRAY(1742), DCP116C/DCP315CN		
3	LP0994001	1	HARNESS SUPPORT FILM, DCP120C/MFC425CN/MFC620CN/FAX2440C		CHG
4	LF7087001	1	HARNESS SPACER, DCP120C/FAX2440C/MFC425CN/MFC620CN		

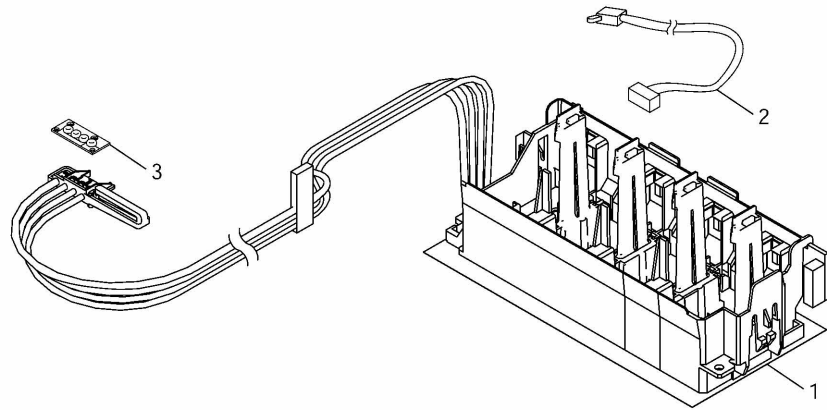
3 ENGINE



List3(ENGINE)

REF No.	CODE	QTY	DESCRIPTION	RECOMMEND	REMARK
1	LF7963001	1	ENGINE UNIT SUPPLY ASSY		
1-1	LF4764001	1	CARRIAGE MOTOR		
1-2	LF4769001	1	CR ENCODER STRIP		
1-3	000300305	4	SCREW, BIND M3X3		
1-4	LP0555001	1	STAR WHEEL HOLDER ASSY A		chg
1-5	LF7525001	1	PLATEN		
1-6	LP0021001	1	PAPER PRESSURE HOLDER		
1-7	LF4789001	1	REGISTRATION SENSOR ACTUATOR		
1-8	LF4790001	1	SENSOR ACTUATOR SPRING		
1-9	LF4800001	1	PF ENCODER DISK		
1-10	LP0060001	1	PAPER FEED MOTOR		
1-11	LF4809001	1	SENSOR PCB		
1-12	087320616	1	TAPTITE, CUP S M3X6		
1-13	LF4812001	1	PAPER PULL-IN HOLDER		
1-14	LF4818001	1	FLUSHING CASE		
2	LF7036001	1	PURGE UNIT		
2-1	LG5780001	1	INK CARTRIDGE/PURGE HP SWITCH HARNESS		
3	LF4806001	1	JAM CLEAR COVER		
4	LF7953001	1	HEAD COVER ASSY		
5	LP0057001	1	FFC SUPPORT		
6	LF7954001	1	CARRIAGE PCB SUPPLY ASSY		
7	087320616	1	TAPTITE, CUP S M3X6		
8	087310815	1	TAPTITE, CUP B M3X8		
9	LF4760001	1	PURGE LEVER SPRING (LONGER)		
10	LF4759001	1	PURGE LEVER		
11	LF4762001	1	CLUTCH GEAR		
12	LF4763001	1	CLUTCH GEAR SPRING (SHORTER)		

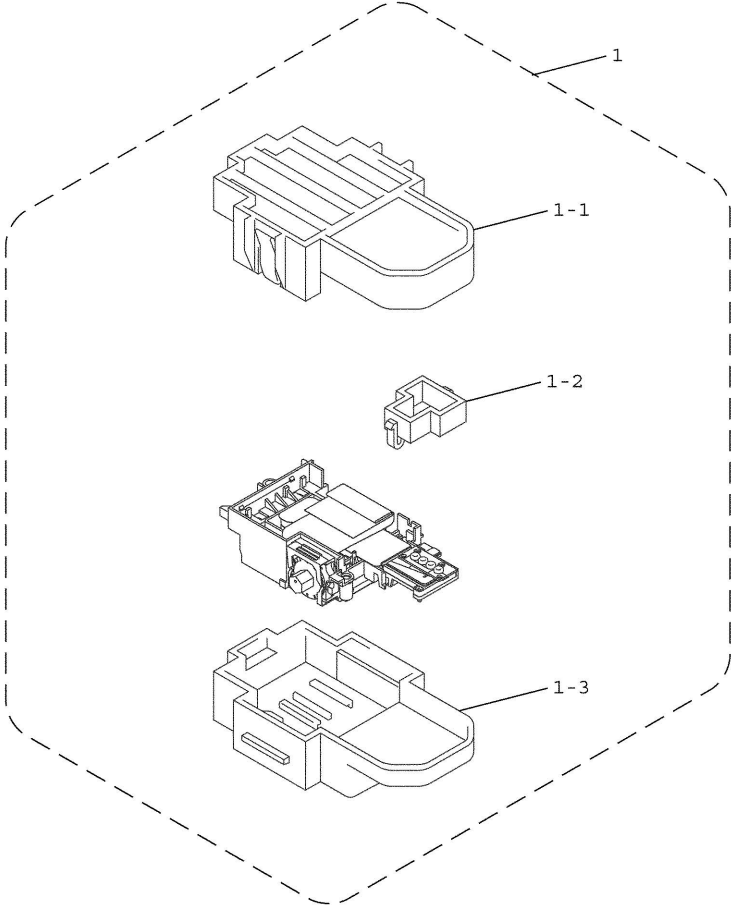
4 CARTRIDGE CASE



List4(CARTRIDGE CASE)

REF No.	CODE	QTY	DESCRIPTION	RECOMMEND	REMARK
1	LP0472001	1	INK REFILL SUPPLY ASSY, DCP116C/DCP117C/DCP120C/ DCP315CN/MFC215C/MFC425CN/MFC620CN,		
1	LP0472003	1	DCP115C EXCEPT FOR CHN INK REFILL SUPPLY ASSY, DCP115C/MFC215C/MFC425CN FOR CHN		
1	LP0472002	1	INK REFILL SUPPLY ASSY, FAX2440C		
2	LG5513001	1	BIG CARTRIDGE SENSOR HARNESS, FAX2440C		
3	LF7590001	1	HEAD JOINT RUBBER SUPPLY ASSY		

5 HEAD

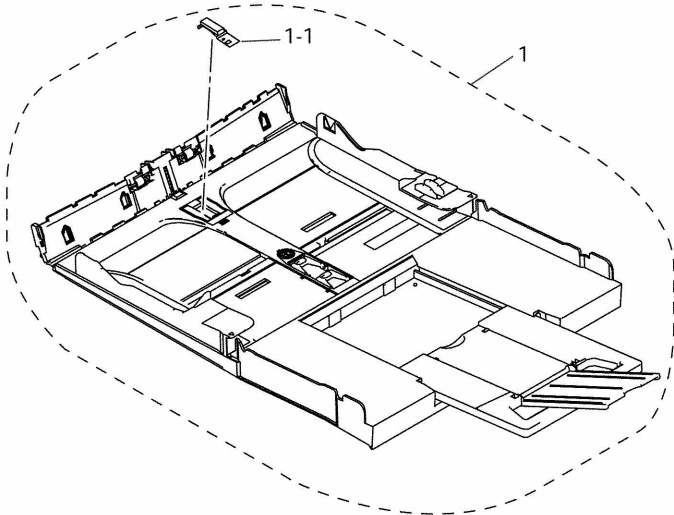
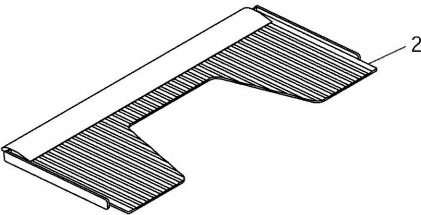


List5(HEAD)

REF No.	CODE	Q.TY	DESCRIPTION	RECOMMEND	REMARK
1	LK1866001	1	HEAD/CARRIAGE SUPPLY ASSY (without CARRIAGE PCB ASSY) (*)		
1-1	LK1579001	1	NOZZLE PROTECTOR UPPER		
1-2	LK1581001	1	RUBBER JOINT PROTECTOR		
1-3	LK1580001	1	NOZZLE PROTECTOR LOWER		

*: Please see List 3, 6; CARRIAGE PCB SUPPLY ASSY

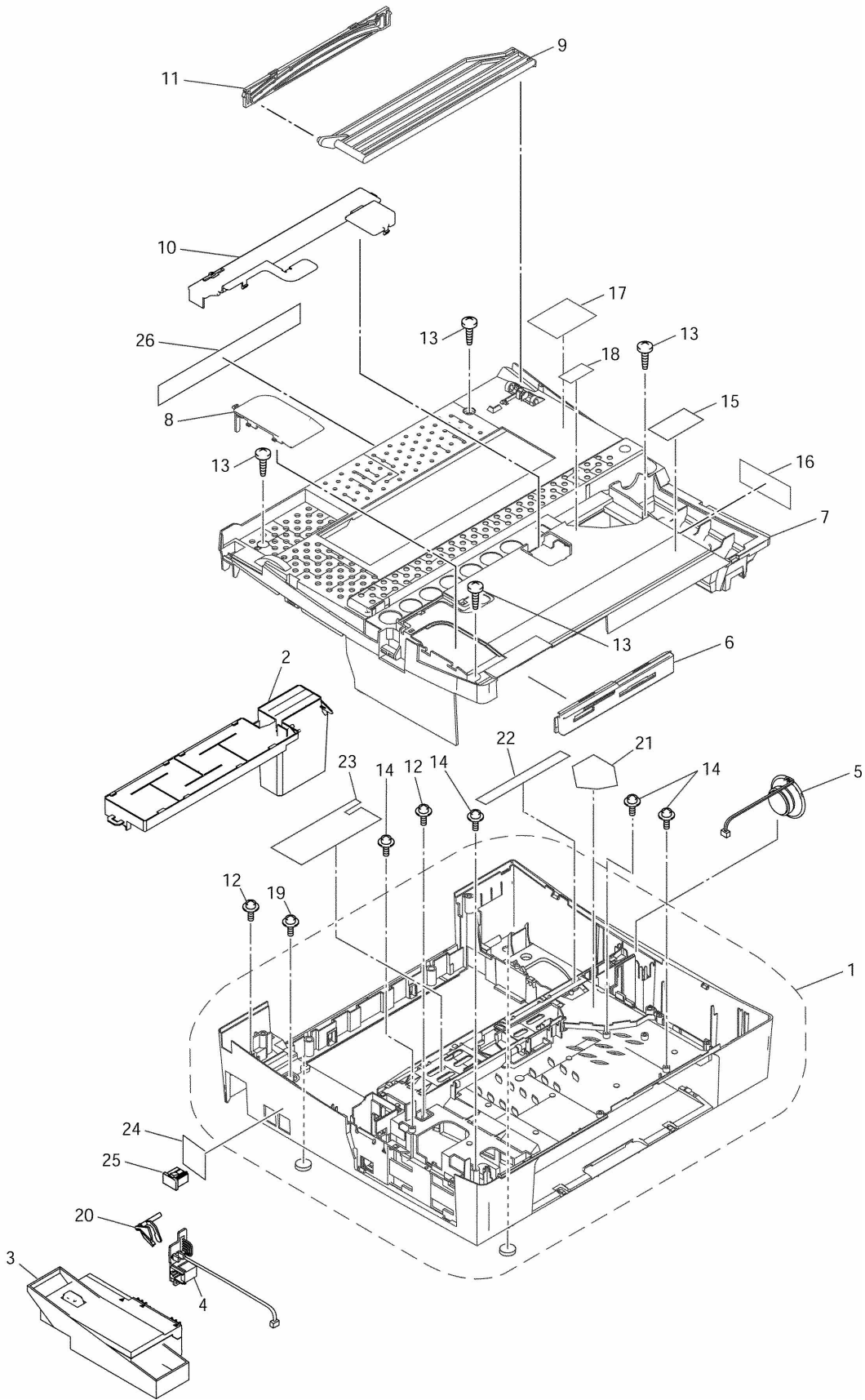
6 PAPER TRAY



List6(PAPER TRAY)

REF No.	CODE	QTY	DESCRIPTION	RECOMMEND	REMARK
1	LF4855001	1	PAPER TRAY ASSY	√	
1-1	LP0556001	1	BASE PAD ASSY		
2	LF5063001	1	TRAY COVER		

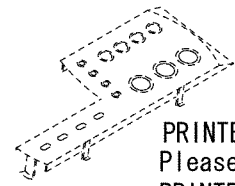
7 COVER



List7(COVER)

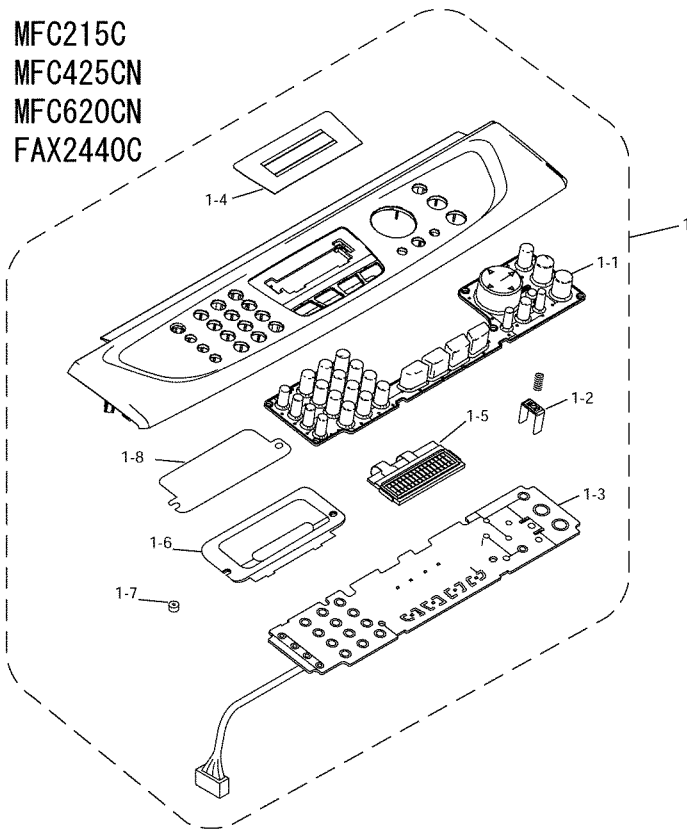
REF No.	CODE	Q'TY	DESCRIPTION	RECOMMEN	SYMBOL	REMARK
1	LF4865001	1	LOWER COVER ASSY			
2	LF7443001	1	INK ABSORBER BOX ASSY	√		
3	LF4989001	1	HANDSET HOLDER ASSY, FAX2440C			
4	LG5474001	1	HOOK PCB ASSY, FAX2440C		B53K763	
5	LG6024001	1	SPEAKER UNIT, DCP115C/DCP116C/DCP117C/ DCP120C/DCP315CN/MFC215C/MFC425CN			
5	LG5886001	1	SPEAKER UNIT, FAX2440C/MFC620CN			
6	LF5566001	1	MEDIA MODULE COVER			
7	LF4878001	1	UPPER COVER ASSY, DCP115C/DCP116C/DCP117C/ DCP120C/MFC215C			
7	LF5127001	1	UPPER COVER ASSY, DCP315CN/MFC425CN/MFC620CN			
7	LF5079001	1	UPPER COVER, FAX2440C			
8	LF4879001	1	HARNESS COVER			
9	LF4880001	1	SCANNER COVER STOPPER			
10	LF4987001	1	CIS FLAT CABLE COVER			
11	LF4988001	1	SCANNER COVER DAMPER			
12	087320616	2	TAPTITE, CUP B M3X6			
13	085411216	4	TAPTITE, BIND B M4X12			
14	087310815	4	TAPTITE, CUP B M3X8			
15	LP0717001	1	INK REPLACE LABEL			CHG
16	LF5116001	1	CONSUMPTION LABEL EXCEPT FOR CHN/SIN/GUL/OCE			
16	LF7833001	1	CONSUMPTION LABEL FOR CHN			
16	LF5941001	1	CONSUMPTION LABEL FOR SIN/GUL/OCE			
17	LF5789001	1	COVER OPEN/CLOSE LABEL			
18	LF5179001	1	USB STICKER EXCEPT FOR CHN			
18	LF5191001	1	USB STICKER FOR CHN			
19	0A5300805	1	SCREW, PAN(S/P WASHER) M3X8			
20	LF4993001	1	ACTUATOR H/S, FAX2440C			
21	LF7105001	1	USB/LAN CONNECTION LABEL, DCP315CN/MFC420CN/MFC620CN			
22	LF7262001	1	FFC GUIDE FILM			
23	LF7445001	1	TUBE GUIDE FILM			
24	LF5917001	1	MJ BLIND FILM, DCP117C/DCP116C/DCP120C/DCP315CN			
25	UF5745000	1	MJ COVER, EXT, FAX2440C/MFC425CN/MFC620CN FOR GER/UK/FRA/BEL/AUS/ITA/ZAF			
26	LP0582001	1	PAPER JAM INSTRUCTION LABEL			

8 PANEL

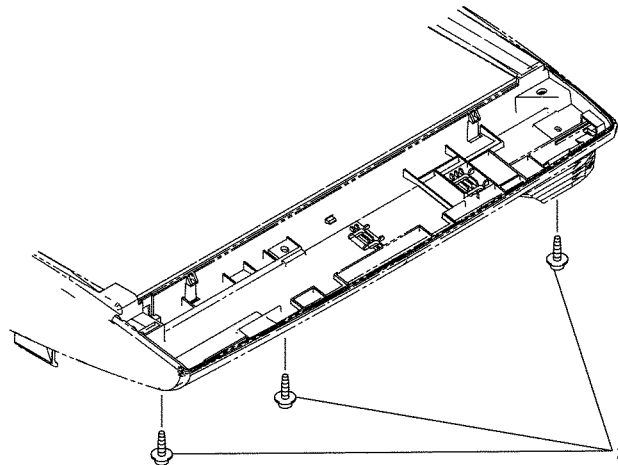
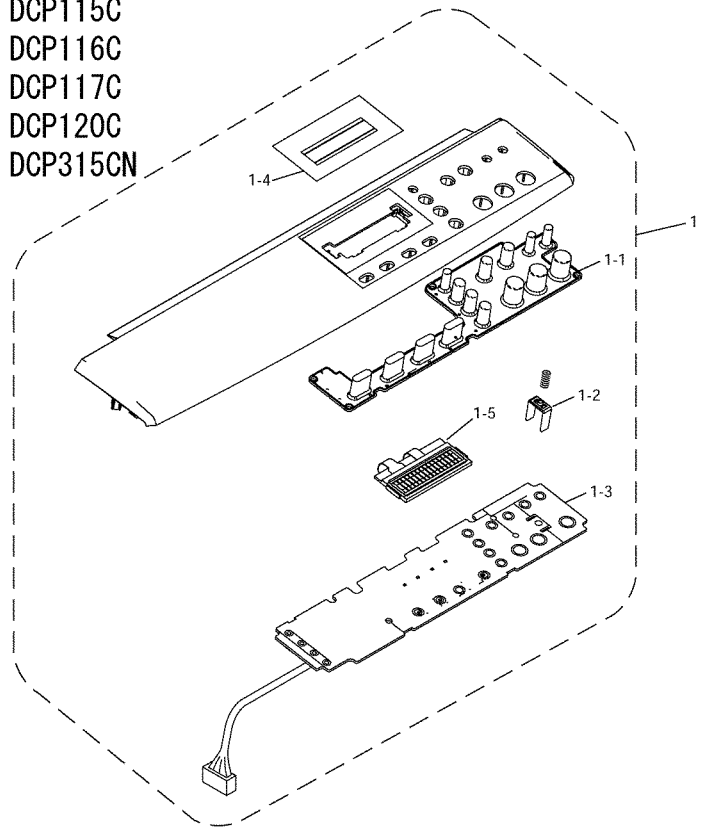


PRINTED EX PANEL
Please See
PRINTED MATERIALS

MFC215C
MFC425CN
MFC620CN
FAX2440C



DCP115C
DCP116C
DCP117C
DCP120C
DCP315CN



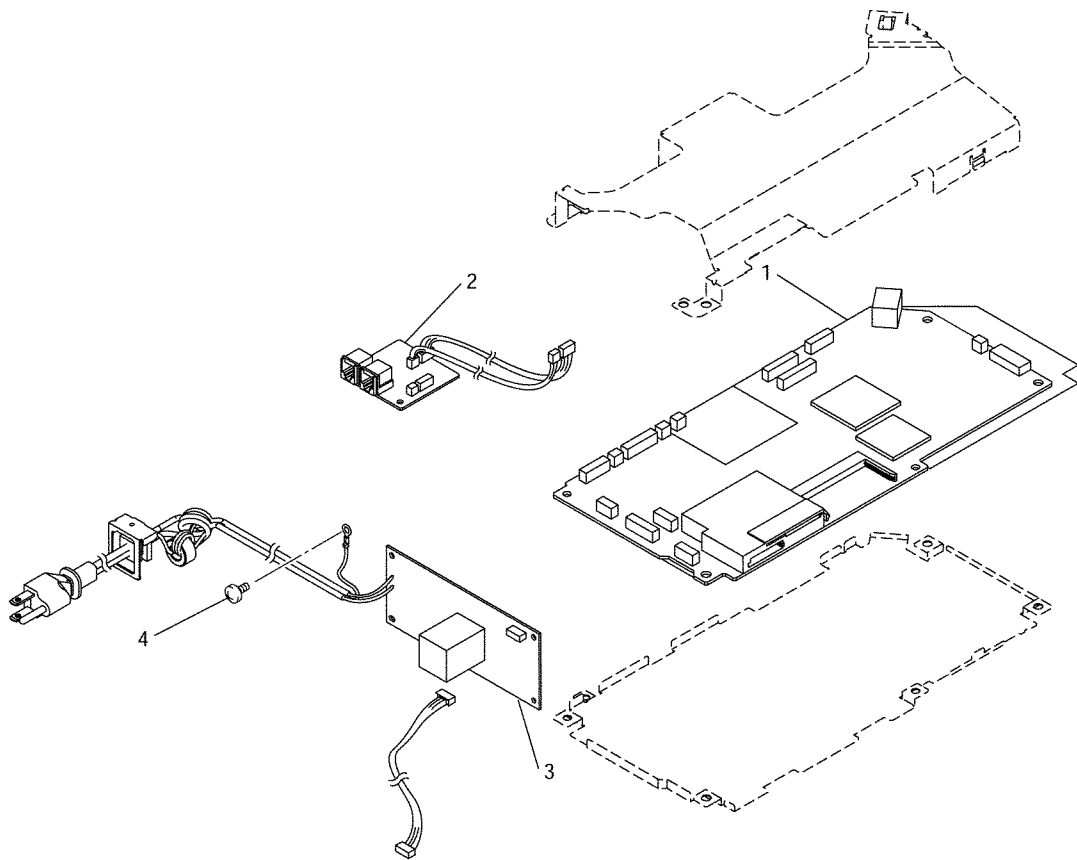
List8(PANEL)

REF No.	CODE	QTY	DESCRIPTION	RECOMMEND	SYMBOL	REMARK
1	LP0166001	1	CONTROL PANEL ASSY, DCP115C EXCEPT FOR CHN	√		
1	LP0721001	1	CONTROL PANEL ASSY, DCP117C	√		
1	LP0214001	1	CONTROL PANEL ASSY, DCP120C EXCEPT FOR CHN	√		
1	LP0191001	1	CONTROL PANEL ASSY, DCP315CN	√		
1	LF5166001	1	CONTROL PANEL ASSY, FAX2440C FOR GER/AUS	√		
1	LP0381001	1	CONTROL PANEL ASSY, MFC215C FOR GER/AUS	√		
1	LP0461001	1	CONTROL PANEL ASSY, MFC425CN FOR GER/AUS	√		
1	LF5160001	1	CONTROL PANEL ASSY, MFC620CN FOR GER/AUS	√		
1	LF5171001	1	CONTROL PANEL ASSY, FAX2440C FOR UK/BEL	√		
1	LP0267001	1	CONTROL PANEL ASSY, MFC215C FOR UK/BEL/CHE/IRE/ZAF/RUS/GNR	√		
1	LP0179001	1	CONTROL PANEL ASSY, MFC425CN FOR UK/BEL/CHE/IRE/GNR	√		
1	LF5117001	1	CONTROL PANEL ASSY, MFC620CN FOR UK/BEL/CHE	√		
1	LF5174001	1	CONTROL PANEL ASSY, FAX2440C FOR FRA	√		
1	LP0385001	1	CONTROL PANEL ASSY, MFC215C FOR FRA	√		
1	LP0462001	1	CONTROL PANEL ASSY, MFC425CN FOR FRA	√		
1	LF5163001	1	CONTROL PANEL ASSY, MFC620CN FOR FRA	√		
1	LP0605001	1	CONTROL PANEL ASSY, MFC215C FOR NLD	√		
1	LP0627001	1	CONTROL PANEL ASSY, MFC425CN FOR NLD	√		
1	LF7399001	1	CONTROL PANEL ASSY, MFC620CN FOR NLD	√		
1	LF7407001	1	CONTROL PANEL ASSY, MFC620CN FOR DEN/PND	√		
1	LF7509001	1	CONTROL PANEL ASSY, FAX2440C FOR SPA	√		
1	LP0390001	1	CONTROL PANEL ASSY, MFC215C FOR SPA	√		
1	LP0463001	1	CONTROL PANEL ASSY, MFC425CN FOR SPA	√		
1	LF7413001	1	CONTROL PANEL ASSY, MFC620CN FOR SPA	√		
1	LF7515001	1	CONTROL PANEL ASSY, FAX2440C FOR ITA	√		
1	LP0393001	1	CONTROL PANEL ASSY, MFC215C FOR ITA	√		
1	LP0464001	1	CONTROL PANEL ASSY, MFC425CN FOR ITA	√		
1	LF7419001	1	CONTROL PANEL ASSY, MFC620CN FOR ITA	√		
1	LP0615001	1	CONTROL PANEL ASSY, MFC215C FOR POR	√		
1	LP0658001	1	CONTROL PANEL ASSY, MFC425CN FOR POR	√		
1	LP0938001	1	CONTROL PANEL ASSY, DCP115C FOR CHN	√		chg
1	LP0761001	1	CONTROL PANEL ASSY, DCP120C FOR CHN	√		add
1	LP0948001	1	CONTROL PANEL ASSY, MFC215C FOR CHN	√		chg
1	LP0949001	1	CONTROL PANEL ASSY, MFC425CN FOR CHN	√		chg
1	LP0704001	1	CONTROL PANEL ASSY, MFC215C FOR SIN/GUL/OCE	√		
1	LP0714001	1	CONTROL PANEL ASSY, MFC425CN FOR SIN/GUL/OCE	√		
1	LP0956001	1	CONTROL PANEL ASSY, DCP116C FOR OCE	√		ADD
1	LP0637001	1	CONTROL PANEL ASSY, MFC215C FOR PND	√		
1	LP0641001	1	CONTROL PANEL ASSY, MFC425CN FOR PND	√		
1-1	LF5133002	1	RUBBER KEYPAD, DCP115C/DCP120C			
1-1	LF5133001	1	RUBBER KEYPAD, DCP116C/DCP117C/DCP315CN			
1-1	LF5085001	1	RUBBER KEYPAD, FAX2440C			
1-1	LF4888002	1	RUBBER KEYPAD, MFC215C			
1-1	LF5102001	1	RUBBER KEYPAD, MFC425CN			
1-1	LF5111001	1	RUBBER KEYPAD, MFC620CN			
1-2	LF4890001	1	SCANNER OPEN SENSOR ACTUATOR			
1-3	LG6226071	1	CONTROL PANEL PCB ASSY, DCP115C/DCP116C/DCP120C/DCP117C		B53K808	
1-3	LG6226054	4	CONTROL PANEL PCB ASSY, DCP117C		B53K808	del
1-3	LG6226072	1	CONTROL PANEL PCB ASSY, DCP315CN		B53K808	
1-3	LG5533052	1	CONTROL PANEL PCB ASSY, FAX2440C		B53K752	
1-3	LG6195001	1	CONTROL PANEL PCB ASSY, MFC215C		B53K807	
1-3	LG6195002	1	CONTROL PANEL PCB ASSY, MFC425CN		B53K807	
1-3	LG5533051	1	CONTROL PANEL PCB ASSY, MFC620CN		B53K752	

List8(PANEL)

REF No.	CODE	QTY	DESCRIPTION	RECOMMEND	SYMBOL	REMARK
1-4	LF5135002	1	LCD SHEET, DCP115C/DCP120C			
1-4	LF5135001	1	LCD SHEET, DCP117C			
1-4	LF5199001	1	LCD SHEET, DCP315CN			
1-4	LF5304001	1	LCD SHEET, FAX2440C FOR GER/AUS			
1-4	LP0216001	1	LCD SHEET, MFC215C FOR GER/AUS			
1-4	LP0225001	1	LCD SHEET, MFC425CN FOR GER/AUS			
1-4	LF5308001	1	LCD SHEET, MFC620CN FOR GER/AUS			
1-4	LF5170001	1	LCD SHEET, FAX2440C FOR UK/BEL			
1-4	LP0217001	1	LCD SHEET, MFC215C FOR UK/BEL/CHE/IRE/SIN/GUL/RUS/ZAF/PND/OCE/GNR			
1-4	LP0180001	1	LCD SHEET, MFC425CN FOR UK/BEL/CHE/IRE/SIN/GUL/PND/OCE/GNR			
1-4	LF5121001	1	LCD SHEET, MFC620CN FOR UK/BEL/CHE/DEN/PND			
1-4	LF5305001	1	LCD SHEET, FAX2440C FOR FRA			
1-4	LP0218001	1	LCD SHEET, MFC215C FOR FRA			
1-4	LP0226001	1	LCD SHEET, MFC425CN FOR FRA			
1-4	LF5309001	1	LCD SHEET, MFC620CN FOR FRA			
1-4	LP0222001	1	LCD SHEET, MFC215C FOR NLD			
1-4	LP0229001	1	LCD SHEET, MFC425CN FOR NLD			
1-4	LF7402001	1	LCD SHEET, MFC620CN FOR NLD			
1-4	LF7512001	1	LCD SHEET, FAX2440C FOR SPA/ITA			
1-4	LP0220001	1	LCD SHEET, MFC215C FOR SPA			
1-4	LP0228001	1	LCD SHEET, MFC425CN FOR SPA			
1-4	LF7416001	1	LCD SHEET, MFC620CN FOR SPA			
1-4	LP0219001	1	LCD SHEET, MFC215C FOR ITA			
1-4	LP0227001	1	LCD SHEET, MFC425CN FOR ITA			
1-4	LF7422001	1	LCD SHEET, MFC620CN FOR ITA			
1-4	LP0221001	1	LCD SHEET, MFC215C FOR POR			
1-4	LP0660001	1	LCD SHEET, MFC425CN FOR POR			
1-4	LP0942001	1	LCD SHEET, MFC215C FOR CHN			chg
1-4	LP0943001	1	LCD SHEET, MFC425CN FOR CHN			chg
1-4	LF5135003	1	LCD SHEET, DCP116C FOR OCE			ADD
1-5	LG5355001	1	LCD, DCP115C/DCP116C/DCP117C/DCP120C/FAX2440C			
1-5	LG6132001	1	LCD, DCP315CN/MFC620CN			
1-5	LG6131001	1	LCD, MFC425CN			
1-6	LF5092001	1	LCD HOLDER, MFC620CN			
1-7	UF6916001	1	MIC COVER, MFC620CN/FAX2440C			
1-8	LF5093001	1	DIFFUSION FILM, MFC620CN			
2	087311216	3	TAPTITE, CUP B M3X12			

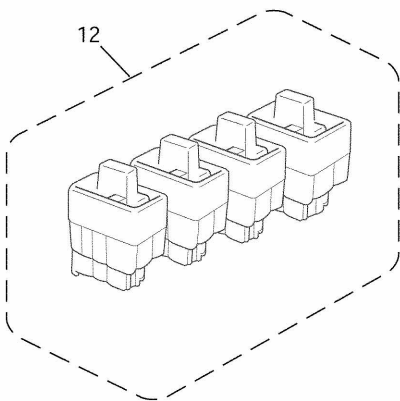
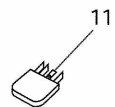
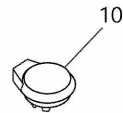
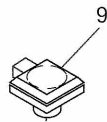
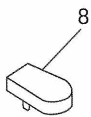
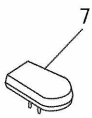
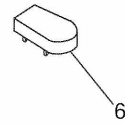
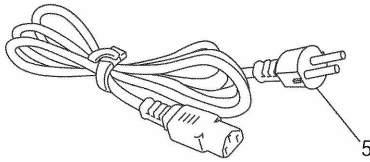
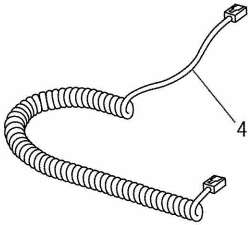
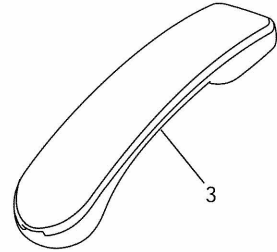
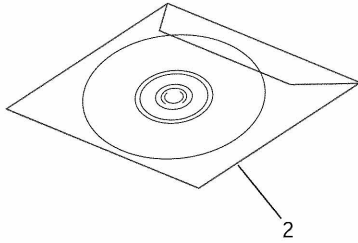
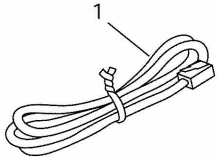
PRINTED EX PANEL : Pleases see printed material



List9(PCB)

REF No.	CODE	QTY	DESCRIPTION	RECOMMEND	SYMBOL	REMARK
1	LG6329013	1	MAIN PCB ASSY, DCP115C EXCEPT FOR CHN, DCP116C/DCP117C	√	B53K816	
1	LG6329015	1	MAIN PCB ASSY, DCP115C FOR CHN	√	B53K816	add
1	LG6350043	1	MAIN PCB ASSY, DCP120C	√	B53K818	
1	LG6425011	1	MAIN PCB ASSY, DCP315CN	√	B53K818	
1	LG6359023	1	MAIN PCB ASSY, FAX2440C	√	B53K819	
1	LG6328003	1	MAIN PCB ASSY, MFC215C EXCEPT FOR CHN	√	B53K816	
1	LG6328004	1	MAIN PCB ASSY, MFC215C FOR CHN	√	B53K816	add
1	LG6349003	1	MAIN PCB ASSY, MFC425CN EXCEPT FOR CHN	√	B53K818	
1	LG6358033	1	MAIN PCB ASSY, MFC620CN	√	B53K819	
1	LG6349005	1	MAIN PCB ASSY, MFC425CN FOR CHN	√	B53K818	
2	LG5365054	1	MJ PCB ASSY, FAX2440C/MFC215C/MFC425CN/MFC620CN EXCEPT FOR CHN/SIN/GUL/OCE/ZAF		B53K759	
2	LG5365056	1	MJ PCB ASSY, MFC215C/MFC425CN FOR CHN/SIN/GUL/OCE		B53K759	
2	LG5365063	1	MJ PCB ASSY, MFC215C FOR ZAF		B53K759	add
3	LG5544001	1	POWER SUPPLY PCB UNIT EXCEPT FOR CHN/SIN/GUL	√		
3	LG6080001	1	POWER SUPPLY PCB UNIT FOR CHN	√		
3	LG5743001	1	POWER SUPPLY PCB UNIT FOR SIN/GUL	√		
4	UF6559001	1	SCREW, PAN (WASHER) M4X8DB			

10 ACCESSORIES



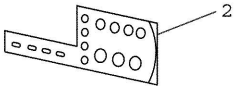
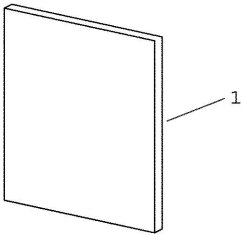
List10(Accessories)

REF No	CODE	QTY	DESCRIPTION	RECOMMEND	REMARK
1	UG3625001	1	TELEPHONE LINE CORD, FAX2440C/MFC215C/MFC425CN/MFC620CN FOR GER		
1	UG3626001	1	TELEPHONE LINE CORD, FAX2440C/MFC215C/MFC425CN/MFC620CN FOR UK		
1	UG3627001	1	TELEPHONE LINE CORD, FAX2440C/MFC215C/MFC425CN/MFC620CN FOR FRA		
1	UG1575001	1	TELEPHONE LINE CORD, FAX2440C/MFC215C/MFC425CN/MFC620CN FOR BEL		
1	LG3077001	1	TELEPHONE LINE CORD, FAX2440C/MFC215C/MFC425CN/ MFC620CN FOR NLD/IRE/SPA/POR/CHN/SIN/GUL/RUS/ ZAF/OCE/GNR		
1	UG3469000	1	TELEPHONE LINE CORD, MFC215C/MFC425CN/MFC620CN FOR CHE		
1	LG5827001	1	TELEPHONE LINE CORD, MFC215C/MFC425CN/MFC620CN FOR PND		
1	UG4205001	1	TELEPHONE LINE CORD, FAX2440C/MFC215C/MFC425CN/MFC620CN FOR AUS		
1	UG3634001	1	TELEPHONE LINE CORD, FAX2440C/MFC215C/MFC425CN/MFC620CN FOR ITA		
1	UG3290001	1	TELEPHONE LINE CORD, MFC215C/MFC425CN FOR OCE		
2	LP0160001	1	CD-ROM ASSY<Windows>, DCP115C FOR GER/UK/CHE/AUS/SIN/GUL/OCE		
2	LP0273001	1	CD-ROM ASSY<Windows>, DCP120C FOR GER/UK/CHE/AUS/SIN/GUL/OCE		
2	LP0193001	1	CD-ROM ASSY<Windows>, DCP315CN FOR GER/UK/CHE/AUS		
2	LP0272001	1	CD-ROM ASSY<Windows>, MFC215C FOR GER/UK/FRA/CHE/IRE/AUS/SIN/GUL/OCE/ZAF		
2	LP0181001	1	CD-ROM ASSY<Windows>, MFC425CN FOR GER/UK/FRA/CHE/IRE/AUS/SIN/GUL/OCE		
2	LF5414001	1	CD-ROM ASSY<Windows>, MFC620CN FOR GER/UK/FRA/CHE/AUS		
2	LP0723001	1	CD-ROM ASSY<Windows>, DCP117C FOR UK/FRA/PND/GNR		
2	LP0326001	1	CD-ROM ASSY<Windows>, DCP115C FOR FRA/PND/GNR		
2	LP0329001	1	CD-ROM ASSY<Windows>, DCP120C FOR FRA/PND		
2	LP0332001	1	CD-ROM ASSY<Windows>, DCP315CN FOR FRA/PND		
2	LP0339001	1	CD-ROM ASSY<Windows>, MFC215C FOR BEL/NLD/PND/GNR		
2	LP0342001	1	CD-ROM ASSY<Windows>, MFC425CN FOR BEL/NLD/PND/GNR		
2	LF5416001	1	CD-ROM ASSY<Windows>, MFC620CN FOR BEL/NLD/PND		
2	LF5417001	1	CD-ROM ASSY<Windows>, MFC620CN FOR DEN/PND		
2	LP0746001	1	CD-ROM ASSY<Windows>, DCP117C FOR SPA/ITA		
2	LP0338001	1	CD-ROM ASSY<Windows>, MFC215C FOR SPA/ITA/POR		
2	LP0341001	1	CD-ROM ASSY<Windows>, MFC425CN FOR SPA/ITA/POR		
2	LF5415001	1	CD-ROM ASSY<Windows>, MFC620CN FOR SPA/ITA		
2	LP0325001	1	CD-ROM ASSY<Windows>, DCP115C FOR ITA/IBE		
2	LP0328001	1	CD-ROM ASSY<Windows>, DCP120C FOR ITA/IBE		
2	LP0331001	1	CD-ROM ASSY<Windows>, DCP315CN FOR ITA/IBE		
2	LP0364001	1	CD-ROM ASSY<Windows>, DCP115C FOR CHN		
2	LP0365001	1	CD-ROM ASSY<Windows>, DCP120C FOR CHN		ADD
2	LP0366001	1	CD-ROM ASSY<Windows>, MFC215C FOR CHN		
2	LP0367001	1	CD-ROM ASSY<Windows>, MFC425CN FOR CHN		
2	LP0828001	1	CD-ROM ASSY<Windows>, DCP115C/DCP120C FOR RUS		add
2	LP0829001	1	CD-ROM ASSY<Windows>, MFC215C FOR RUS		add
2	LP0960001	1	CD-ROM ASSY<Windows>, DCP116C FOR OCE		add
2	LP0327001	1	CD-ROM ASSY<Windows>, DCP115C FOR PND		
2	LP0748001	1	CD-ROM ASSY<Windows>, DCP117C FOR PND		
2	LP0330001	1	CD-ROM ASSY<Windows>, DCP120C FOR PND		
2	LP0333001	1	CD-ROM ASSY<Windows>, DCP315CN FOR PND		
2	LP0340001	1	CD-ROM ASSY<Windows>, MFC215C FOR PND		
2	LP0343001	1	CD-ROM ASSY<Windows>, MFC425CN FOR PND		
2	LP0472004	4	CD-ROM ASSY<Macintosh>, DCP115C FOR GER/UK/FRA/CHE/AUS/ITA/SIN/GUL/GNR/OCE/IBE, DCP120C FOR GER/UK/FRA/CHE/AUS/ITA/SIN/GUL/OCE/IBE, DCP315CN FOR GER/UK/FRA/CHE/AUS/ITA/IBE		DEL
2	LP0726001	1	CD-ROM ASSY<Macintosh>, DCP117C FOR UK/FRA/SPA/ITA/PND/GNR		
2	LP0352004	4	CD-ROM ASSY<Macintosh>, DCP115C/DCP120C/DCP315CN FOR PND		DEL
2	LP0482004	4	CD-ROM ASSY<Macintosh>, MFC215C/MFC425CN FOR GER/UK/FRA/CHE/IRE/AUS/SPA/ITA/POR/SIN/GUL/ZAF/OCE		DEL
2	LP0355001	1	CD-ROM ASSY<Macintosh>, MFC215C/MFC425CN FOR GER/UK/FRA/BEL/NLD/CHE/IRE/AUS/SPA/ITA/POR/ZAF/SIN/GUL/ GNR/OCE/PND		
2	LF5436001	1	CD-ROM ASSY<Macintosh>, MFC620CN FOR GER/UK/FRA/CHE/AUS/SPA/ITA		
2	LF7230001	1	CD-ROM ASSY<Macintosh>, MFC620CN FOR BEL/NLD/DEN/PND		
2	LP0961001	1	CD-ROM ASSY<Macintosh>, DCP115C FOR GER/UK/FRA/CHE/AUS/ITA/SIN/GUL/GNR/OCE/PND/IBE, DCP116C FOR OCE		add
2	LP0830001	1	CD-ROM ASSY<Macintosh>, DCP115C/DCP120C/MFC215C FOR RUS		add

List10(Accessories)

REF No	CODE	QTY	DESCRIPTION	RECOMMEND	REMARK
2	LP0369004	4	CD-ROM ASSY WEB TRANSLATOR, DCP115C/DCP120C/DCP315CN/MFC215C/MFC425CN FOR GER/UK/FRA/BEL/NLD/CHE/IRE/AUS/SPA/ITA/POR/ZAF/PND/IBE-		del
3	LF1518016	1	HANDSET ASSY, FAX2440C		
4	UL8019010	1	HANDSET CURLED CORD ASSY, FAX2440C		
5	LG5717001	1	AC CORD BAG ASSY, VDE FOR GER/FRA/BEL/NLD/AUS/SPA/ITA/POR/RUS/PND/IBE/GNR	√	
5	LG5692001	1	AC CORD BAG ASSY FOR UK/IRE/SIN/GUL	√	
5	LG5732001	1	AC CORD BAG ASSY, SEV FOR CHE	√	
5	LG5736001	1	AC CORD BAG ASSY, DEMCO FOR DEN/PND	√	
5	LG5735001	1	AC CORD BAG ASSY, CHN FOR CHN	√	
5	LG5734001	1	AC CORD BAG ASSY, SAA FOR OCE	√	
5	LG6404001	1	AC CORD BAG ASSY, SAF FOR ZAF	√	chg
6	LG3622001	1	TELEPHONE PLUG, MFC215C/MFC425CN/MFC620CN FOR NLD		
7	UG1573000	1	TELEPHONE PLUG, MFC215C/MFC425CN/MFC620CN FOR BEL		
8	LG5828001	1	TELEPHONE PLUG, MFC215C/MFC425CN/MFC620CN FOR DEN/PND <DENMARK>		
9	LG5829001	1	TELEPHONE PLUG, MFC215C/MFC425CN/MFC620CN FOR PND		
11	LG5830001	1	TELEPHONE PLUG, MFC215C/MFC425CN/MFC620CN FOR PND		
11	LG3509001	1	TELEPHONE PLUG, MFC215C/MFC425CN FOR OCE		
12	LF7986001	1	PROTECTION CARTRIDGE SUPPLY ASSY		

11 PRINTED MATERIALS



List11(PRINTED MATERIALS)

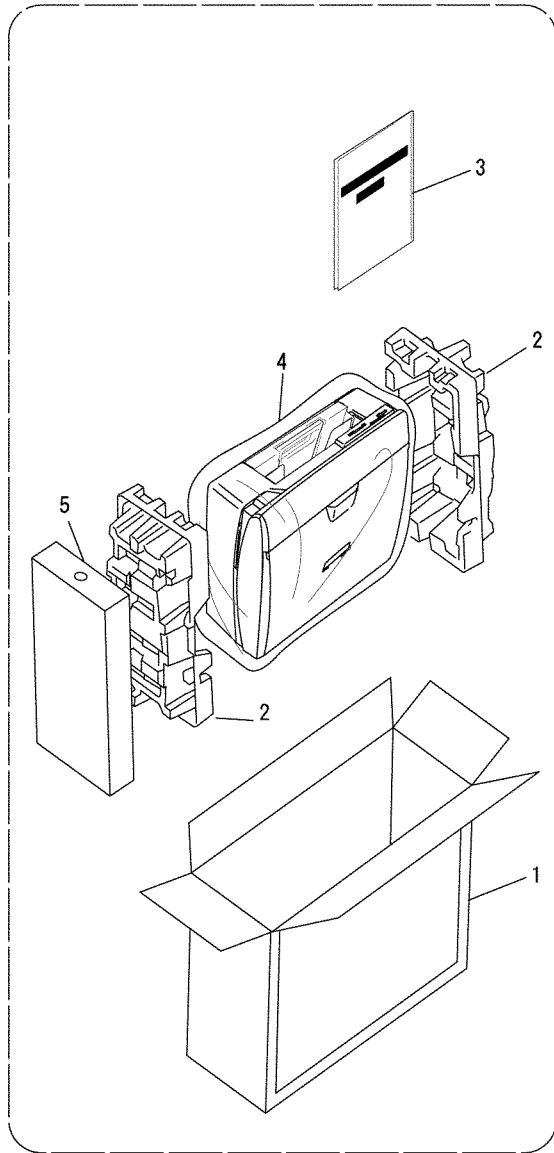
REF No.	CODE	QTY	DESCRIPTION	RECOMMEND	REMARK
1	LP0744003	1	OWNER'S GUIDE, DCP115C/DCP120C/DCP315CN FOR GER/CHE/AUS <GERMAN>		chg
1	LF7346003	1	OWNER'S GUIDE, FAX2440C FOR GER/AUS <GERMAN>		
1	LP0184003	1	OWNER'S GUIDE, MFC215C/MFC425CN FOR GER/AUS <GERMAN>		
1	LF7244003	1	OWNER'S GUIDE, MFC620CN FOR GER/AUS<GERMAN>		
1	LP0744004	1	OWNER'S GUIDE, DCP115C/DCP120C/DCP315CN FOR UK/GNR <ENGLISH>		chg
1	LP0725004	1	OWNER'S GUIDE, DCP117C FOR UK/GNR <ENGLISH>		
1	LF7346004	1	OWNER'S GUIDE, FAX2440C FOR UK <ENGLISH>		
1	LP0184004	1	OWNER'S GUIDE, MFC215C/MFC425CN FOR UK/IRE/ZAF <ENGLISH>		
1	LF7244004	1	OWNER'S GUIDE, MFC620CN FOR UK <ENGLISH>		
1	LP0744005	1	OWNER'S GUIDE, DCP115C/DCP120C/DCP315CN FOR FRA/CHE <FRENCH>		chg
1	LP0725005	1	OWNER'S GUIDE, DCP117C FOR FRA <FRENCH>		
1	LP0744009	1	OWNER'S GUIDE, DCP115C/DCP120C/DCP315CN FOR FRA <DUTCH>		chg
1	LF7346005	1	OWNER'S GUIDE, FAX2440C FOR FRA <FRENCH>		
1	LP0184005	1	OWNER'S GUIDE, MFC215C/MFC425CN FOR FRA <FRENCH>		
1	LF7244005	1	OWNER'S GUIDE, MFC620CN FOR FRA <FRENCH>		
1	LF7346008	1	OWNER'S GUIDE, FAX2440C FOR BEL <FRENCH>		
1	LF7347008	1	OWNER'S GUIDE, FAX2440C FOR BEL <GERMAN>		
1	LP0184008	1	OWNER'S GUIDE, MFC215C/MFC425CN FOR BEL <DUTCH>		
1	LP0184058	1	OWNER'S GUIDE, MFC215C/MFC425CN FOR BEL/CHE <FRENCH>		
1	LF7244008	1	OWNER'S GUIDE, MFC620CN FOR BEL <DUTCH>		
1	LF7323008	1	OWNER'S GUIDE, MFC620CN FOR BEL/CHE <FRENCH>		
1	LP0184009	1	OWNER'S GUIDE, MFC215C/MFC425CN FOR NLD		
1	LF7244009	1	OWNER'S GUIDE, MFC620CN FOR NLD		
1	LP0184010	1	OWNER'S GUIDE, MFC215C/MFC425CN FOR CHE <GERMAN>		
1	LF7244010	1	OWNER'S GUIDE, MFC620CN FOR CHE <GERMAN>		
1	LF7244013	1	OWNER'S GUIDE, MFC620CN FOR DEN/PND		
1	LP0725015	1	OWNER'S GUIDE, DCP117C FOR SPA		
1	LF7346015	1	OWNER'S GUIDE, FAX2440C FOR SPA		
1	LP0184015	1	OWNER'S GUIDE, MFC215C/MFC425CN FOR SPA		
1	LF7244015	1	OWNER'S GUIDE, MFC620CN FOR SPA		
1	LP0744016	1	OWNER'S GUIDE, DCP115C/DCP120C/DCP315CN FOR ITA		chg
1	LP0725016	1	OWNER'S GUIDE, DCP117C FOR ITA		
1	LF7346016	1	OWNER'S GUIDE, FAX2440C FOR ITA		
1	LP0184016	1	OWNER'S GUIDE, MFC215C/MFC425CN FOR ITA		
1	LF7244016	1	OWNER'S GUIDE, MFC620CN FOR ITA		
1	LP0184018	1	OWNER'S GUIDE, MFC215C/MFC425CN FOR POR		
1	LP0676020	1	OWNER'S GUIDE, DCP115C/DCP120C FOR CHN		
1	LP0184020	1	OWNER'S GUIDE, MFC215C/MFC425CN FOR CHN		
4	LP0170040	4	OWNER'S GUIDE, DCP115C/DCP120C FOR SIN/GUL/OCE		DEL
1	LP0184040	1	OWNER'S GUIDE, MFC215C/MFC425CN FOR SIN/GUL/OCE		
1	LP0963040	1	OWNER'S GUIDE, DCP115C/DCP120C FOR SIN/GUL/OCE, DCP116C FOR OCE		add
1	LP0184048	1	OWNER'S GUIDE, MFC215C FOR RUS		add
1	LP0170048	1	OWNER'S GUIDE, DCP115C/DCP120C FOR RUS		add
1	LP0744015	1	OWNER'S GUIDE, DCP115C/DCP120C/DCP315CN FOR IBR <SPANISH>		chg
1	LP0744018	1	OWNER'S GUIDE, DCP115C/DCP120C/DCP315CN FOR IBR <PORTUGUESE>		chg
1	LP0184007	1	OWNER'S GUIDE, MFC215C/MFC425CN FOR PND <NORWEGIAN, SWEDISH>		
1	LP0184012	1	OWNER'S GUIDE, MFC215C/MFC425CN FOR PND <FINNISH, DANISH>		
1	LF7244057	1	OWNER'S GUIDE, MFC620CN FOR PND		

List11(PRINTED MATERIALS)

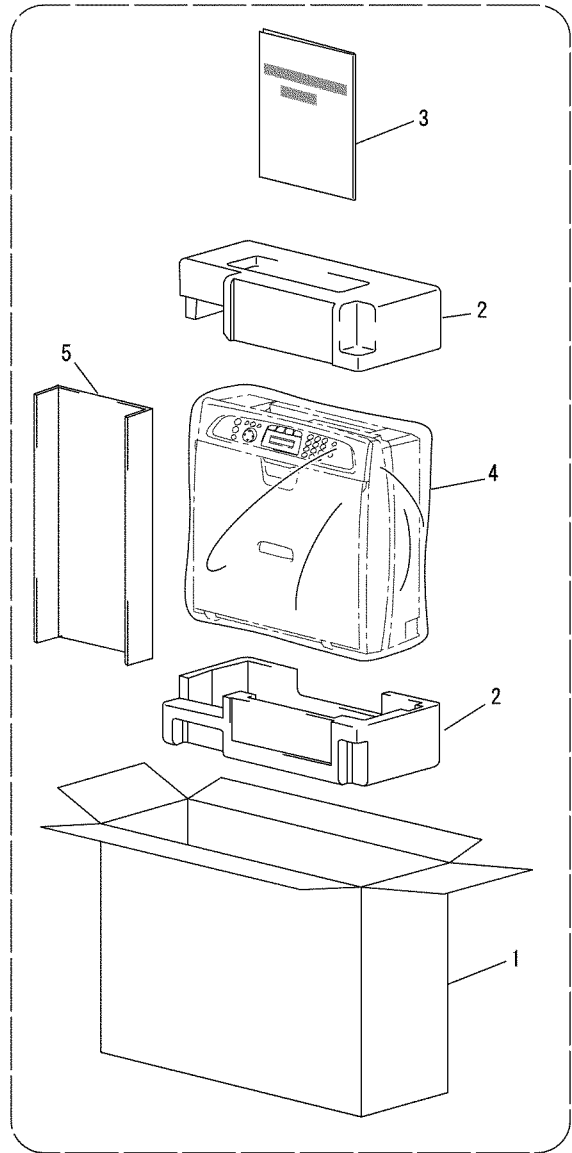
REF No.	CODE	QTY	DESCRIPTION	RECOMMEND	REMARK
2	LF7663003	1	PRINTED EX PANEL, DCP115C/DCP120C FOR GER/AUS/CHE		
2	LF7663002	1	PRINTED EX PANEL, DCP315CN FOR GER/CHE/AUS <GERMAN>		
2	LF7665003	1	PRINTED EX PANEL, DCP115C/DCP120C FOR UK/FRA/SIN/GUL/RUS/OCE/PND/GNR <ENGLISH>		
2	LF7665001	1	PRINTED EX PANEL, DCP117C FOR UK/FRA/PND/GNR <ENGLISH>		
2	LF7665002	1	PRINTED EX PANEL, DCP315CN FOR UK/FRA/PND <ENGLISH>		
2	LF7667001	1	PRINTED EX PANEL, DCP117C FOR FRA <FRENCH>		
2	LF7667003	1	PRINTED EX PANEL, DCP115C/DCP120C FOR FRA/CHE		
2	LF7669003	1	PRINTED EX PANEL, DCP115C/DCP120C FOR FRA <DUTCH>		
2	LF7667002	1	PRINTED EX PANEL, DCP315CN FOR FRA/CHE <FRENCH>		
2	LF7669002	1	PRINTED EX PANEL, DCP315CN FOR FRA <DUTCH>		
2	LF7673001	1	PRINTED EX PANEL, DCP117C FOR SPA		
2	LF7671003	1	PRINTED EX PANEL, DCP115C/DCP120C FOR ITA		
2	LF7671001	1	PRINTED EX PANEL, DCP117C FOR ITA		
2	LF7671002	1	PRINTED EX PANEL, DCP315CN FOR ITA		
2	LF7859003	1	PRINTED EX PANEL, DCP115C FOR CHN		
2	LF7665002	1	PRINTED EX PANEL, DCP116C FOR OCE		add
2	LF7673003	1	PRINTED EX PANEL, DCP115C/DCP120C FOR IBE <SPANISH>		
2	LF7675003	1	PRINTED EX PANEL, DCP115C/DCP120C FOR IBE <PORTUGUESE>		
2	LF7675002	1	PRINTED EX PANEL, DCP315CN FOR IBE <PORTUGUESE>		

12 PACKING MATERIALS

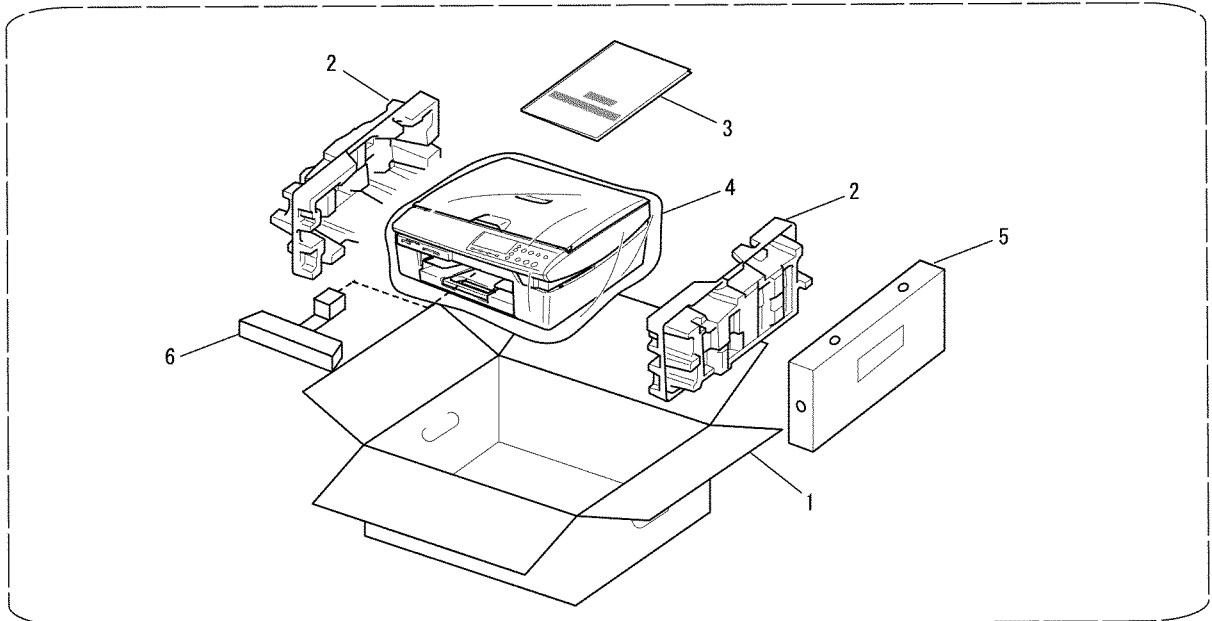
MFC215C/425CN, DCP115C/116C/117C/120C FOR OTHER COUNTRY
FAX2440C, MFC620CN, DCP315CN



MFC210C/420CN FOR US



DCP115C/DCP120C/MFC215C/MFC425CN FOR CHN



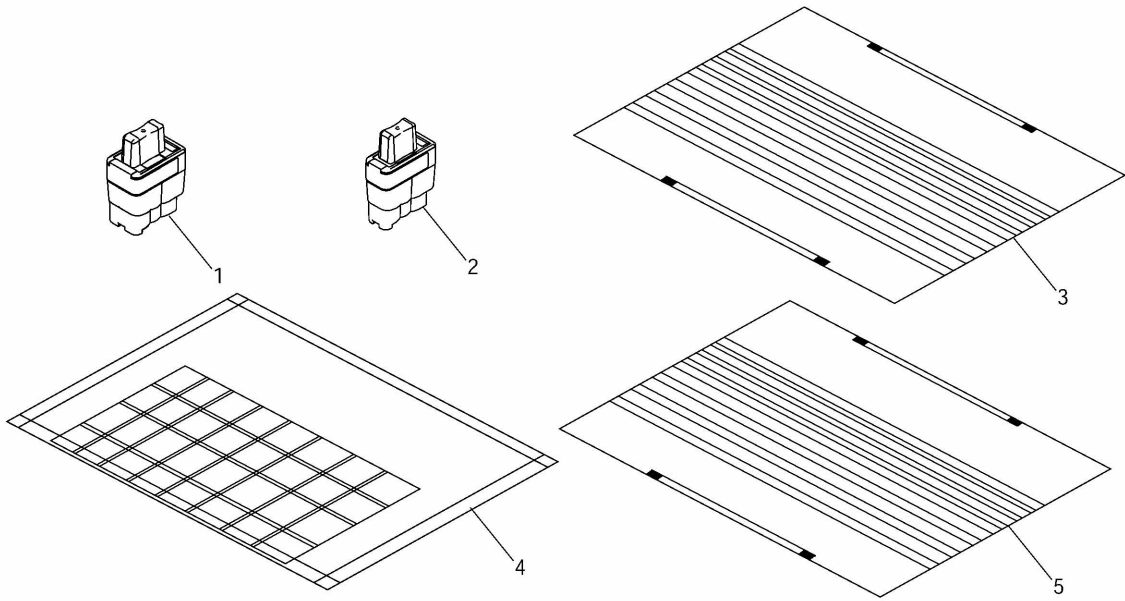
List12(PACKAGING)

REF No.	CODE	QTY	DESCRIPTION	RECOMMEND	REMARK
1	LP0171001	1	CARTON, BROTHER, DCP115C EXCEPT FOR	√	
			CHN/GNR/SIN/GUL/OCE		
1	LP0727001	1	CARTON, BROTHER, DCP117C	√	
1	LP0274001	1	CARTON, BROTHER, DCP120C	√	
1	LP0195001	1	CARTON, BROTHER, DCP315CN	√	
1	LP0581001	1	CARTON, BROTHER, FAX2440C	√	
1	LP0269001	1	CARTON, BROTHER, MFC215C FOR	√	
			GER/UK/FRA/BEL/NLD/CHE/IRE/AUS/SPA/ITA/POR/RUS/ZAF/PND		
1	LP0594001	1	CARTON, BROTHER, MFC215C FOR GNR	√	
1	LP0185001	1	CARTON, BROTHER, MFC425CN FOR	√	
			GER/UK/FRA/BEL/NLD/CHE/IRE/AUS/SPA/ITA/POR/PND		
1	LP0595001	1	CARTON, BROTHER, MFC425CN FOR GNR	√	
1	LP0579001	1	CARTON, BROTHER, MFC620CN	√	
1	LP0677001	1	CARTON, BROTHER, DCP115C FOR CHN	√	
1	LP0702001	1	CARTON, BROTHER, MFC215C FOR CHN	√	
1	LP0706001	1	CARTON, BROTHER, MFC425CN FOR CHN	√	
1	LP0597001	1	CARTON, BROTHER, DCP115C FOR SIN/GUL/OCE	√	
1	LP0599001	1	CARTON, BROTHER, MFC215C FOR SIN/GUL/OCE	√	
1	LP0600001	1	CARTON, BROTHER, MFC425CN FOR SIN/GUL/OCE	√	
1	LP0964001	1	CARTON, BROTHER, DCP116C FOR OCE	√	
1	LP0592001	1	CARTON, BROTHER, DCP115C FOR GNR	√	add
2	LF5187001	1	PULP CUSHION ASSY,		
			DCP115C/DCP116C/DCP117C/DCP315CN/MFC215C		
2	LF5095001	1	PULP CUSHION ASSY, FAX2440C		
2	LF5123001	1	PULP CUSHION ASSY, DCP120C/MFC425CN/MFC620CN		
3	LP0177003	1	QUICK SETUP GUIDE, DCP115C/DCP120C/DCP315CN FOR		
			GER/CHE/AUS/GNR		
3	LF7338001	1	QUICK SETUP GUIDE, FAX2440C FOR GER/AUS		
3	LP0187003	1	QUICK SETUP GUIDE, MFC215C/MFC425CN FOR GER		
3	LF5822001	1	QUICK SETUP GUIDE, MFC620CN FOR GER/AUS		
3	LP0177004	4	QUICK SETUP GUIDE, DCP115C/DCP120C/DCP315CN FOR UK		del
3	LP0729004	1	QUICK SETUP GUIDE, DCP115C/DCP120C/DCP315CN/DCP117C		
			FOR UK		
3	LF7336001	1	QUICK SETUP GUIDE, FAX2440C FOR UK		
3	LP0187004	1	QUICK SETUP GUIDE, MFC215C/MFC425CN FOR UK		
3	LP0187037	1	QUICK SETUP GUIDE, MFC215C FOR GNR <CZECH, HUNGARIAN,		add
			POLISH>		
3	LP0187059	1	QUICK SETUP GUIDE, MFC215C FOR GNR <ENGLISH,		add
			BULGARIAN, ROMANIAN>		
3	LF5825001	1	QUICK SETUP GUIDE, MFC620CN FOR UK		
3	LP0177005	4	QUICK SETUP GUIDE, DCP115C/DCP120C/DCP315CN FOR		del
			FRA/CHE <FRENCH>		
3	LP0177009	1	QUICK SETUP GUIDE, DCP115C/DCP120C/DCP315CN FOR FRA		
			<DUTCH>		
3	LP0729005	1	QUICK SETUP GUIDE, DCP117C FOR FRA,		
			DCP115C/DCP120C/DCP315CN FOR FRA/CHE <FRENCH>		
3	LF7337001	1	QUICK SETUP GUIDE, FAX2440C FOR FRA		
3	LP0187005	1	QUICK SETUP GUIDE, MFC215C/MFC425CN FOR FRA		
3	LF5828001	1	QUICK SETUP GUIDE, MFC620CN FOR FRA		
3	LF7341001	1	QUICK SETUP GUIDE, FAX2440C FOR BEL <DUTCH>		
3	LF7342001	1	QUICK SETUP GUIDE, FAX2440C FOR BEL <FRENCH>		
3	LP0187008	1	QUICK SETUP GUIDE, MFC215C/MFC425CN FOR BEL <DUTCH>		
3	LP0187058	1	QUICK SETUP GUIDE, MFC215C/MFC425CN FOR BEL/CHE		
			<FRENCH>		
3	LF5832001	1	QUICK SETUP GUIDE, MFC620CN FOR BEL <DUTCH>		
3	LF5833001	1	QUICK SETUP GUIDE, MFC620CN FOR BEL/CHE <FRENCH>		
3	LP0187009	1	QUICK SETUP GUIDE, MFC215C/MFC425CN FOR NLD		
3	LF5839001	1	QUICK SETUP GUIDE, MFC620CN FOR NLD		
3	LP0187010	1	QUICK SETUP GUIDE, MFC215C/MFC425CN FOR CHE <GERMAN>		
3	LF5833001	1	QUICK SETUP GUIDE, MFC620CN FOR CHE <GERMAN>		
3	LF5849001	1	QUICK SETUP GUIDE, MFC620CN FOR DEN/PND		
3	LP0729015	1	QUICK SETUP GUIDE, DCP117C FOR SPA,		
			DCP115C/DCP120C/DCP315CN FOR IBE <SPANISH>		
3	LF7340001	1	QUICK SETUP GUIDE, FAX2440C FOR SPA		
3	LP0187015	1	QUICK SETUP GUIDE, MFC215C/MFC425CN FOR SPA		
3	LF5857001	1	QUICK SETUP GUIDE, MFC620CN FOR SPA		
3	LP0177016	4	QUICK SETUP GUIDE, DCP115C/DCP120C/DCP315CN FOR ITA		del
3	LP0729016	1	QUICK SETUP GUIDE,		
			DCP115C/DCP117C/DCP120C/DCP315CN FOR ITA		
3	LF7339001	1	QUICK SETUP GUIDE, FAX2440C FOR ITA		
3	LP0187016	1	QUICK SETUP GUIDE, MFC215C/MFC425CN FOR ITA		
3	LF5863001	1	QUICK SETUP GUIDE, MFC620CN FOR ITA		
3	LP0187018	1	QUICK SETUP GUIDE, MFC215C/MFC425CN FOR POR		

List12(PACKAGING)

REF No.	CODE	QTY	DESCRIPTION	RECOMMEND	REMARK
3	LP0678020	1	QUICK SETUP GUIDE, DCP115C FOR CHN		
3	LP0187020	1	QUICK SETUP GUIDE, MFC215C/MFC425CN FOR CHN		
3	LP0177040	4	QUICK SETUP GUIDE, DCP115C/DCP120C FOR SIN/GUL/OCE		DEL
3	LP0187040	1	QUICK SETUP GUIDE, MFC215C/MFC425CN FOR SIN/GUL/OCE		
3	LP0965040	1	QUICK SETUP GUIDE,		add
			DCP115C/DCP120C FOR SIN/GUL/OCE, DCP116C FOR OCE		
3	LP0177015	4	QUICK SETUP GUIDE, DCP115C/DCP120C/DCP315CN FOR IBE		del
			<SPANISH>		
3	LP0177018	1	QUICK SETUP GUIDE, DCP115C/DCP120C/DCP315CN FOR IBE		
			<PORTUGUESE>		
3	LP0177048	1	QUICK SETUP GUIDE, DCP115C/DCP120C FOR RUS		add
3	LP0187048	1	QUICK SETUP GUIDE, MFC215C FOR RUS		add
3	LP0187012	1	QUICK SETUP GUIDE, MFC215C/MFC425CN FOR PND <FINNISH>		
3	LP0187013	1	QUICK SETUP GUIDE, MFC215C/MFC425CN FOR PND <DANISH>		
3	LP0187026	1	QUICK SETUP GUIDE, MFC215C/MFC425CN FOR PND		
3	LP0187007	1	QUICK SETUP GUIDE, MFC215C/MFC425CN FOR PND		
			<NORWEGIAN>		
3	LF5875001	1	QUICK SETUP GUIDE, MFC620CN FOR PND <NORWEGIAN>		
3	LF5876001	1	QUICK SETUP GUIDE, MFC620CN FOR PND <SWEDISH>		
3	LF5877001	1	QUICK SETUP GUIDE, MFC620CN FOR PND <FINNISH>		
3	LP0177007	4	QUICK SETUP GUIDE, DCP115C/DCP120C/DCP315CN FOR PND		del
			<NORWEGIAN>		
3	LP0177012	4	QUICK SETUP GUIDE, DCP115C/DCP120C/DCP315CN FOR PND		del
			<FINNISH>		
3	LP0177013	4	QUICK SETUP GUIDE, DCP115C/DCP120C/DCP315CN FOR PND		del
			<DANISH>		
3	LP0177026	4	QUICK SETUP GUIDE, DCP115C/DCP120C/DCP315CN FOR PND		del
			<SWEDISH>		
3	LP0729007	1	QUICK SETUP GUIDE, DCP115C/DCP117C/DCP120C/DCP315CN		
			FOR PND <NORWEGIAN>		
3	LP0729012	1	QUICK SETUP GUIDE, DCP115C/DCP117C/DCP120C/DCP315CN		
			FOR PND <FINNISH>		
3	LP0729013	1	QUICK SETUP GUIDE, DCP115C/DCP117C/DCP120C/DCP315CN		
			FOR PND <DANISH>		
3	LP0729026	1	QUICK SETUP GUIDE, DCP115C/DCP117C/DCP120C/DCP315CN		
			FOR PND <SWEDISH>		
3	LP0177039	4	QUICK SETUP GUIDE, DCP115C FOR GNR <CZECH, HUNGARIAN,		del
			POLISH>		
3	LP0177059	4	QUICK SETUP GUIDE, DCP115C FOR GNR <ENGLISH,		del
			BULGARIAN, ROMANIAN>		
3	LP0729039	1	QUICK SETUP GUIDE, DCP115C/DCP117C		
			FOR GNR <CZECH, HUNGARIAN, POLISH>		
3	LP0729059	1	QUICK SETUP GUIDE, DCP115C/DCP117C		
			FOR GNR <ENGLISH, BULGARIAN, ROMANIAN>		
3	LP0370001	1	QUICK SETUP GUIDE WEB TRANS,		
			DCP115C/DCP315CN/MFC215C/MFC425CN FOR		
3	LP0946001	1	QUICK SETUP GUIDE WEB TRANS, DCP115C/DCP120C/MFC215C		add
			FOR RUS		
4	LF0969001	1	PE BAG 620X800H P		
5	LF5126001	1	ACCESSORIES BOX		
6	LP0052001	1	PAD. TRAY COVER,		chg
			DCP115C/DCP120C/MFC215C/MFC425CN FOR CHN		

13. OTHERS



List13(OTHERS)

REF No.	CODE	QTY	DESCRIPTION	RECOMMEND	REMARK
1	LK1349001	1	DUMMY CARTRIDGE, BLACK < For ink drainage >		
2	LK1350001	3	DUMMY CARTRIDGE, COLOR < For ink drainage >		
3	UF8263001	1	TEST CHART-027		
4	UF9258001	1	COLOR TEST CHART CTC-001		
5	UF4600001	1	CONTRAST CHART TC-023		

brother®

PL-FAX113
8CA830
Ver. F-1