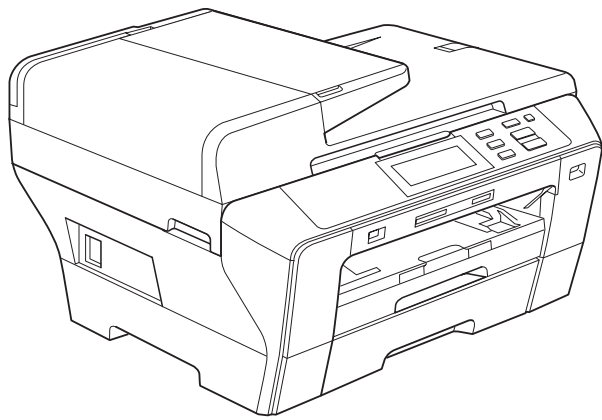


USER'S GUIDE



DCP-6690CW

If you need to call Customer Service

Please complete the following information for future reference:

Model Number: DCP-6690CW

Serial Number: ¹ _____

Date of Purchase: _____

Place of Purchase: _____

¹ **The serial number is on the back of the unit. Retain this User's Guide with your sales receipt as a permanent record of your purchase, in the event of theft, fire or warranty service.**

Register your product on-line at

<http://www.brother.com/registration/>

By registering your product with Brother, you will be recorded as the original owner of the product. Your registration with Brother:

- may serve as confirmation of the purchase date of your product should you lose your receipt; and
- may support an insurance claim by you in the event of product loss covered by insurance.

Compilation and Publication

Under the supervision of Brother Industries Ltd., this manual has been compiled and published, covering the latest product descriptions and specifications.

The contents of this manual and the specifications of this product are subject to change without notice.

Brother reserves the right to make changes without notice in the specifications and materials contained herein and shall not be responsible for any damages (including consequential) caused by reliance on the materials presented, including but not limited to typographical and other errors relating to the publication.

EC Declaration of Conformity under the R & TTE Directive



EC Declaration of Conformity

Manufacturer

Brother Industries, Ltd.
15-1, Naeshiro-cho, Mizuho-ku, Nagoya 467-8561, Japan

Plant

Brother Industries (Shen Zhen) Ltd
G02414-1, Bao Chang Li Bonded Transportation Industrial Park,
Bao Long Industrial Estate, Longgang, Shenzhen, China

Herewith declare that:

Products description : Copier Printer
Model Name : DCP-6690CW

is in conformity with provisions of the R & TTE Directive (1999/5/EC) and we declare compliance with the following standards :

Standards applied :

Harmonized : Safety EN60950-1:2001+A11:2004

EMC EN55022: 2006 Class B
EN55024: 1998 +A1: 2001 +A2: 2003
EN61000-3-2: 2006
EN61000-3-3: 1995 +A1: 2001 +A2:2005

Radio EN301 489-1 V1.6.1
EN301 489-17 V1.2.1
EN300 328 V1.7.1

Year in which CE marking was first affixed : 2008

Issued by : Brother Industries, Ltd.

Date : 21st February, 2008

Place : Nagoya, Japan

Signature

Junji Shiota
General Manager
Quality Management Dept.
Printing & Solutions Company

Table of Contents

Section I General

1	General Information	2
	Using the documentation	2
	Symbols and conventions used in the documentation	2
	Accessing the Software User's Guide and Network User's Guide	3
	Viewing Documentation	3
	Accessing Brother Support (For Windows®)	5
	Control panel overview	6
	LCD screen indications	7
	Basic Operations	7
	Warning indications	8
2	Loading paper and documents	9
	Loading paper and other print media	9
	Loading paper in paper tray #1	9
	Loading paper in paper tray #2	12
	Loading envelopes and post cards	15
	Removing small printouts from the machine	16
	Printable area	17
	Acceptable paper and other print media	18
	Recommended print media	18
	Handling and using print media	18
	Choosing the right print media	20
	Loading documents	22
	Using the ADF	22
	Using the scanner glass	23
	Scannable area	24
3	General setup	25
	Paper settings	25
	Paper Size and Type	25
	Secure Paper Feed mode for A3 size Short Grain Paper	25
	Sleep Mode	26
	Beeper Volume	26
	LCD screen	27
	Changing LCD Language	27
	LCD Contrast	27
	Setting the backlight brightness	27
	Setting the Dim Timer for the backlight	27
	Printing Reports	28
	How to print a report	28

Section II Copy

4 Making copies 30

How to copy	30
Entering Copy mode	30
Making a single copy	30
Making multiple copies	30
Stop copying	30
Copy settings	31
Changing copy speed and quality	31
Enlarging or reducing the image copied	31
Tray Select	32
Paper Options	32
Adjusting Brightness and Contrast	33
Sorting copies using the ADF	33
Making N in 1 copies or a poster (Page Layout)	34
Skew Adjustment	36
Book Copy	36
Watermark Copy	37
Setting your favourites	38

Section III Direct Photo Printing

5 Printing photos from a memory card or USB Flash memory drive 40

PhotoCapture Center™ Operations	40
Printing from a memory card or USB Flash memory drive without a PC	40
Scanning to a memory card or USB Flash memory drive without a PC	40
Using PhotoCapture Center™ from your computer	40
Using a memory card or USB Flash memory drive	40
Memory cards or a USB Flash memory drive folder structure	41
Getting started	42
Entering PhotoCapture mode	43
Print Images	43
View Photos	43
Enhance Photos	44
Index Print (Thumbnails)	45
Printing Photos	46
DPOF printing	46
PhotoCapture Center™ print settings	47
Print Speed and Quality	48
Paper options	48
Adjusting Brightness, Contrast and Colour	49
Cropping	50
Borderless printing	50
Date Print	50
Setting your changes as a new default	50
Restoring all settings to the factory settings	51

Scan to a memory card or USB Flash memory drive	51
Entering Scan mode	51
How to scan to a memory card or USB Flash memory drive.....	52
How to change the file name	53
How to set new default	53
How to reset to factory settings	53
Understanding the Error Messages.....	53

6 Printing photos from a camera **54**

Printing photos directly from a PictBridge camera.....	54
PictBridge requirements	54
Setting your digital camera	54
Printing Images.....	55
DPOF printing.....	55
Printing photos directly from a digital camera (without PictBridge).....	56
Printing Images.....	56
Understanding the Error Messages.....	57

Section IV Software

7 Software and Network features **60**

Section V Appendixes

A Safety and Legal **62**

Choosing a location	62
To use the machine safely.....	63
Important safety instructions.....	68
IMPORTANT - For your safety	69
LAN connection	69
Radio interference	69
EU Directive 2002/96/EC and EN50419.....	70
International ENERGY STAR [®] Compliance Statement	70
Legal limitations for copying	71
Trademarks.....	72

B	Troubleshooting and Routine Maintenance	73
	Troubleshooting	73
	If you are having difficulty with your machine	73
	Error and Maintenance messages.....	78
	Error animations Display	81
	Document jam	82
	Printer jam or paper jam	82
	Routine maintenance.....	85
	Replacing the ink cartridges	85
	Cleaning the outside of the machine	87
	Cleaning the scanner glass	89
	Cleaning the machine printer platen	89
	Cleaning the paper pick-up roller.....	90
	Cleaning the print head	90
	Checking the print quality	91
	Checking the print alignment.....	92
	Checking the ink volume	92
	Machine Information	93
	Checking the serial number.....	93
	Packing and shipping the machine	93
C	Menu and Features	96
	On-screen programming.....	96
	Menu table.....	96
	Mode keys	96
	Menu table.....	97
	Entering Text	111
D	Specifications	112
	General.....	112
	Print media.....	114
	Copy	115
	PhotoCapture Center™	116
	PictBridge	117
	Scanner	118
	Printer	119
	Interfaces.....	120
	Computer requirements	121
	Consumable items.....	122
	Network (LAN)	123
	Wireless one-push configuration	124
E	Glossary	125
F	Index	126



General

General Information	2
Loading paper and documents	9
General setup	25

Using the documentation

Thank you for buying a Brother machine! Reading the documentation will help you make the most of your machine.

Symbols and conventions used in the documentation

The following symbols and conventions are used throughout the documentation.

Bold	Bold typeface identifies specific buttons on the machine's control panel, or on the computer screen.
<i>Italics</i>	Italicized typeface emphasizes an important point or refers you to a related topic.
Courier New	Text in Courier New font identifies messages on the LCD of the machine.



Warnings tell you what to do to prevent possible personal injury.



Cautions specify procedures you must follow or avoid to prevent possible damage to the machine or other objects.



Electrical Hazard icons alert you to possible electrical shock.



Notes tell you how you should respond to a situation that may arise or give tips about how the operation works with other features.



Improper Setup icons alert you to devices and operations that are not compatible with the machine.

Accessing the Software User's Guide and Network User's Guide

This User's Guide does not contain all the information about the machine such as how to use the advanced features of the Printer, Scanner and Network. When you are ready to learn detailed information about these operations, read the **Software User's Guide** and **Network User's Guide** that are on the CD-ROM.

Viewing Documentation

Viewing Documentation (For Windows®)

To view the documentation, from the **Start** menu, point to **Brother, DCP-XXXX** (where XXXX is your model name) from the programs group, and then choose **User's Guides in HTML format**.

If you have not installed the software, you can find the documentation by following the instructions below:

- 1 Turn on your PC. Insert the Brother CD-ROM into your CD-ROM drive.
- 2 If the model name screen appears, click your model name.

- 3 If the language screen appears, click your language. The CD-ROM Main Menu will appear.



Note

If this window does not appear, use Windows® Explorer to run the start.exe program from the root directory of the Brother CD-ROM.

- 4 Click **Documentation**.
- 5 Click the documentation you want to read.
 - **HTML documents: Software User's Guide and Network User's Guide** in HTML format.
This format is recommended for viewing on your computer.
 - **PDF documents: User's Guide** for stand-alone operations, **Software User's Guide** and **Network User's Guide** in PDF format.
This format is recommended for printing the manuals. Click to go to the Brother Solutions Center, where you can view or download the PDF documents. (Internet access and PDF Reader software are required.)

How to find Scanning instructions

There are several ways you can scan documents. You can find the instructions as follows:

Software User's Guide

- *Scanning*

(For Windows® 2000 Professional/
Windows® XP and Windows Vista®)

- *ControlCenter3*

(For Windows® 2000 Professional/
Windows® XP and Windows Vista®)

- *Network Scanning*

ScanSoft™ PaperPort™ 11SE with OCR How-to-Guides

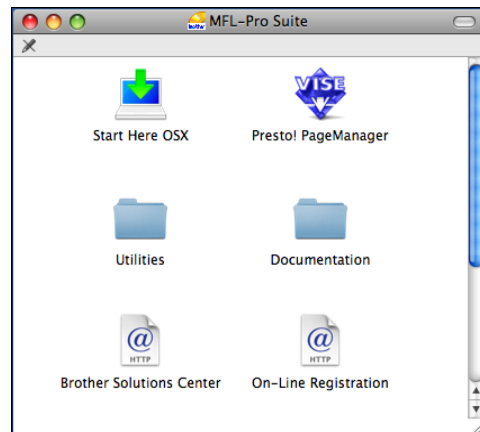
- The complete ScanSoft™ PaperPort™ 11SE with OCR How-to-Guides can be viewed from the Help selection in the ScanSoft™ PaperPort™ 11SE application.

How to find Network setup instructions

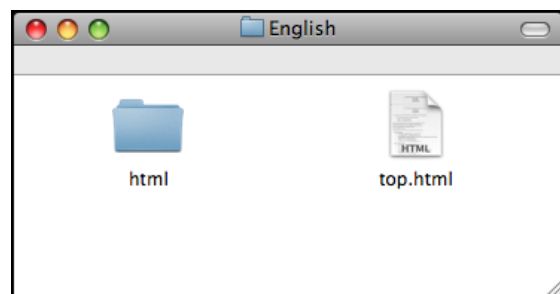
Your machine can be connected to a wireless or wired network. You can find basic setup instructions in the Quick Setup Guide. If your wireless access point supports SecureEasySetup™, Wi-Fi Protected Setup™ or AOSS™, follow the steps in Quick Setup Guide. For more information about network setup please see the Network User's Guide.

Viewing Documentation (For Macintosh®)

- 1 Turn on your Macintosh®. Insert the Brother CD-ROM into your CD-ROM drive. The following window will appear.



- 2 Double-click the **Documentation** icon.
- 3 Double-click your language folder.
- 4 Double-click top.html to view the **Software User's Guide** and **Network User's Guide** in HTML format.



- 5 Click the documentation you want to read:
 - **Software User's Guide**
 - **Network User's Guide**

How to find Scanning instructions

There are several ways you can scan documents. You can find the instructions as follows:

Software User's Guide

- *Scanning*
(For Mac OS® X 10.2.4 or greater)
- *ControlCenter2*
(For Mac OS® X 10.2.4 or greater)
- *Network Scanning*
(For Mac OS® X 10.2.4 or greater)

Presto!® PageManager® User's Guide

- The complete Presto!® PageManager® User's Guide can be viewed from the Help selection in the Presto!® PageManager® application.

How to find Network setup instructions

Your machine can be connected to a wireless or wired network. You can find basic setup instructions in the Quick Setup Guide. If your wireless access point supports SecureEasySetup™, Wi-Fi Protected Setup™ or AOSS™, follow the steps in Quick Setup Guide. For more information about network setup please see the Network User's Guide.

Accessing Brother Support (For Windows®)

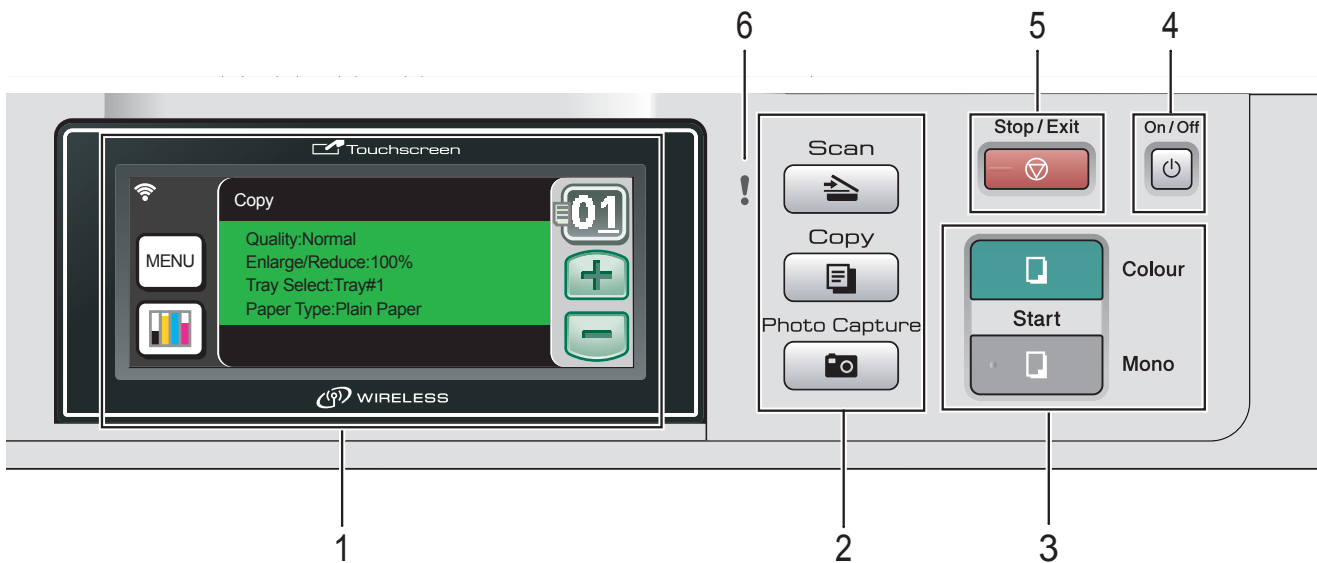
You can find all the contacts you will need, such as Web support (Brother Solutions Center) and Customer Service on the Brother CD-ROM.

- Click **Brother Support** on the main menu. The following screen will appear:



- To access our web site (<http://www.brother.com>), click **Brother Home Page**.
- For the latest news and product support information (<http://solutions.brother.com>), click **Brother Solutions Center**.
- To visit our web site for original Brother Supplies (<http://www.brother.com/original/>), click **Supplies Information**.
- To access the Brother CreativeCenter (<http://www.brother.com/creativecenter/>) for FREE photo projects and printable downloads, click **Brother CreativeCenter**.
- To return to the main page, click **Back** or if you have finished, click **Exit**.

Control panel overview






1 LCD (liquid crystal display)

This is a Touchscreen LCD.



You can access the menus and options by pressing buttons displayed on the screen. Displays messages on the screen to help you set up and use your machine.

Also, you can adjust the angle of the display by lifting it.

2 Mode keys:

-  **Scan**
Lets you access Scan mode.
-  **Copy**
Lets you access Copy mode.
-  **Photo Capture**
Lets you access PhotoCapture Center™ mode.

3 Start keys:

-  **Colour Start**
Lets you start making copies in full colour. Also lets you start a scanning operation (in colour or mono, depending on the scanning setting in the ControlCenter software).
-  **Mono Start**
Lets you start making copies in monochrome. Also lets you start a scanning operation (in colour or mono depending on the scanning setting in the ControlCenter software).

4 On/Off

You can turn the machine on and off. If you turn the machine off, it will still periodically clean the print head to maintain the print quality.

5 Stop/Exit

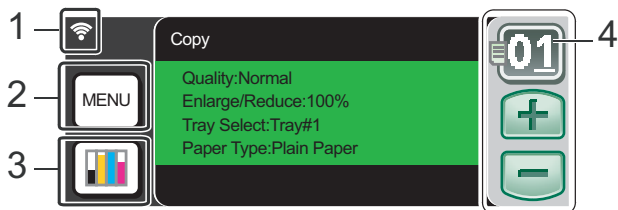
Stops an operation or exits from a menu.

6 Warning LED (light emitting diode)

Turns orange and blinks when the LCD displays an error or an important status message.

LCD screen indications

The LCD shows the current machine status when the machine is idle.



1 Wireless Status

A four level indicator shows the current wireless signal strength if you are using a wireless connection.



2 Menu

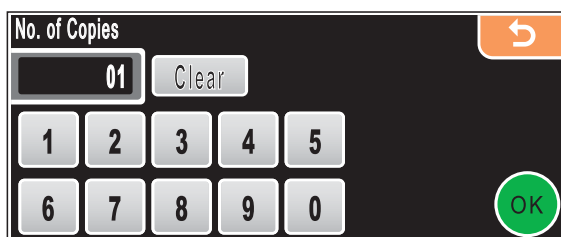
Lets you access main menu.

3 Ink indicator

Lets you see the available ink volume.
Also, lets you access the Ink menu.

4 No. of copies

Lets you enter the number of copies for Copy and photo printing. Press the number box directly and enter the number you want.



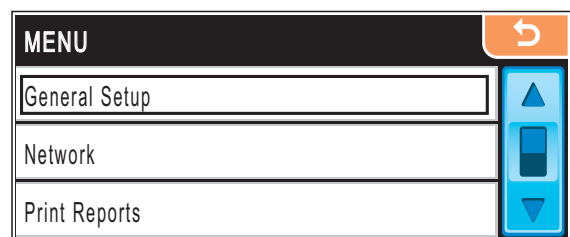
Also you can enter the number of copies by pressing + or -.

Basic Operations

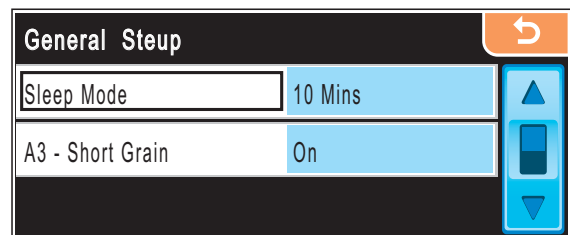
The Touchscreen is easy to use. Press the menu or option button that you like to operate directly on the LCD. To access more menus or options, press ◀, ▶ or ▲, ▼ to scroll the display.

The following steps show how to change a setting in the machine. In this example the Sleep mode setting is changed from 10 minutes to 5 minutes.

- 1 Press MENU.
- 2 Press ▲ or ▼ to display General Setup.
- 3 Press General Setup.



- 4 Press ▲ or ▼ to display Sleep Mode.
- 5 Press Sleep Mode.

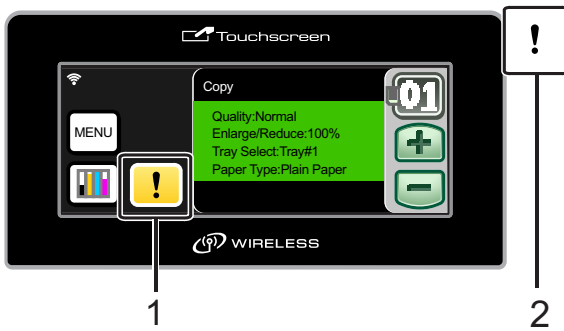


- 6 Press 5 Mins.
- 7 Press Stop/Exit.


Warning indications

The Warning LED is a light that shows the status of the machine, as shown in the table.

The warning icon also appears on the display as shown in the illustration.



- 1 Warning icon
- 2 Warning LED

Indication	DCP status	Description
Off	Ready	The machine is ready for use.
 Orange	Cover open	The cover is open. Close the cover. (See <i>Error and Maintenance messages</i> on page 78.)
	Cannot Print	Replace the ink cartridge with a new one. (See <i>Replacing the ink cartridges</i> on page 85.)
	Paper error	Put paper in the tray or clear the paper jam. Check the LCD message. (See <i>Error and Maintenance messages</i> on page 78.)
	Other messages	Check the LCD message. (See <i>Error and Maintenance messages</i> on page 78.)

2

Loading paper and documents

Loading paper and other print media



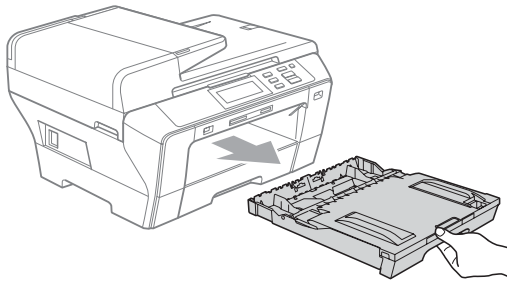
Note

For Tray #2, see *Loading paper in paper tray #2* on page 12.

Loading paper in paper tray #1

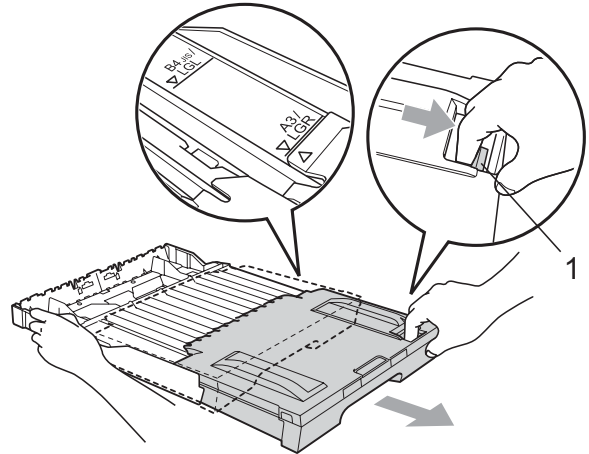
1

If the paper support flap is open, close it, and then pull the paper tray completely out of the machine.



Note

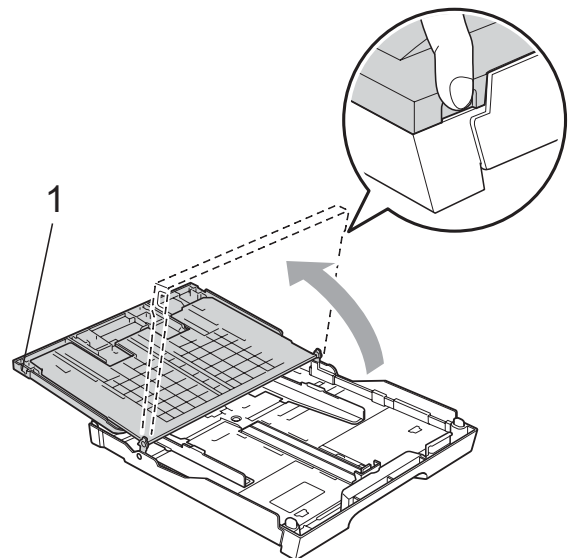
- When you are using A3, Legal or Ledger size paper, press and hold the universal guide release button (1) as you slide out the front of the paper tray.



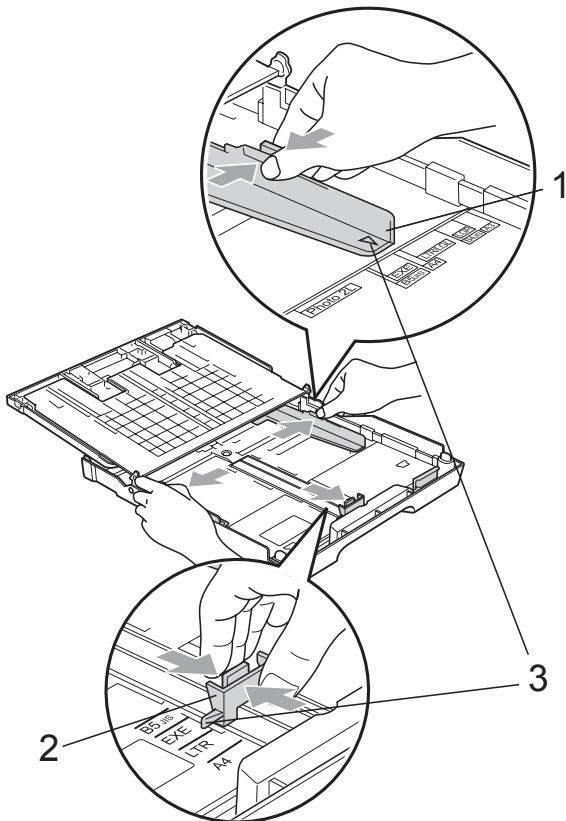
- If you are using A4 or smaller size paper, make sure that the paper tray is not extended.

2

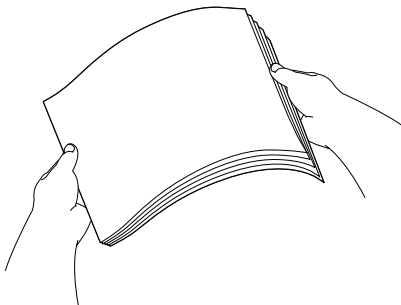
Open the paper tray cover (1).



- 3 With both hands, gently press and slide the paper side guides (1) and then the paper length guide (2) to fit the paper size. Make sure that the triangular marks (3) on the paper side guides (1) and paper length guide (2) line up with the mark for the paper size you are using.



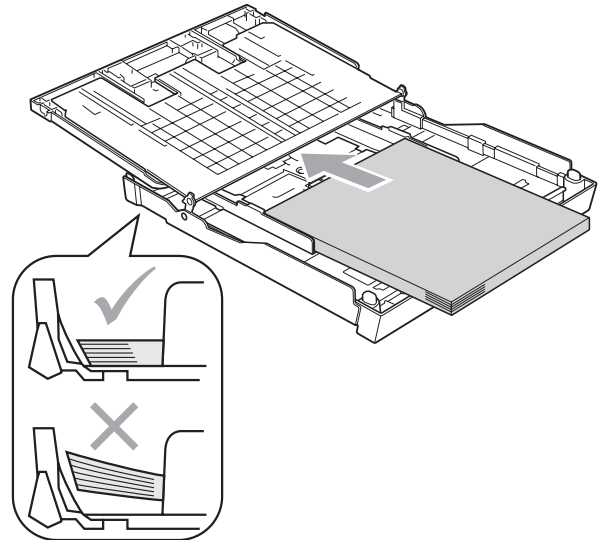
- 4 Fan the stack of paper well to avoid paper jams and misfeeds.



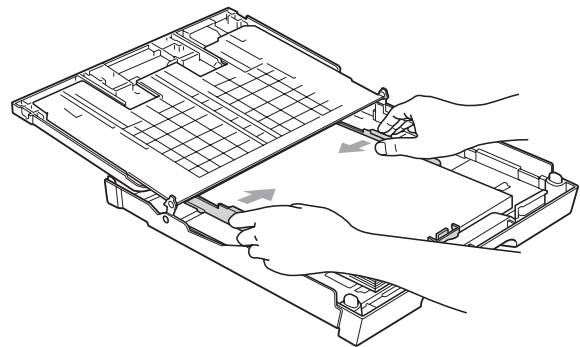
 **Note**

Always make sure that the paper is not curled.

- 5 Gently put the paper into the paper tray print side down and top edge in first. Check that the paper is flat in the tray.



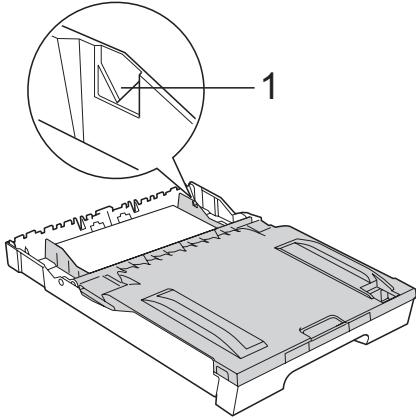
- 6 Gently adjust the paper side guides to fit the paper with both hands. Make sure the paper side guides touch the sides of the paper.



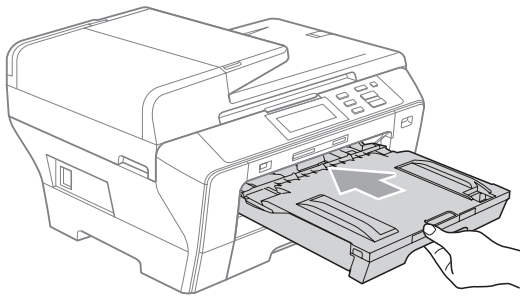
 **Note**

Be careful that you do not push the paper in too far; it may lift at the back of the tray and cause feed problems.

- 7** Close the paper tray cover. Check that the paper is flat in the tray and below the maximum paper mark (1).



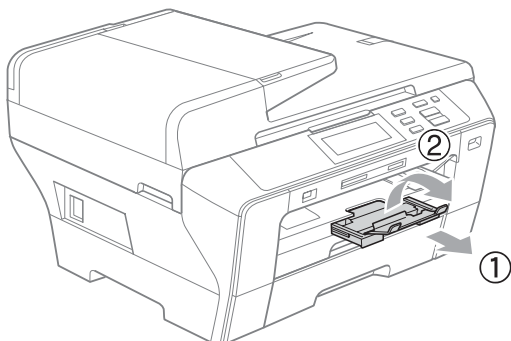
- 8** Slowly push the paper tray completely into the machine.



Note

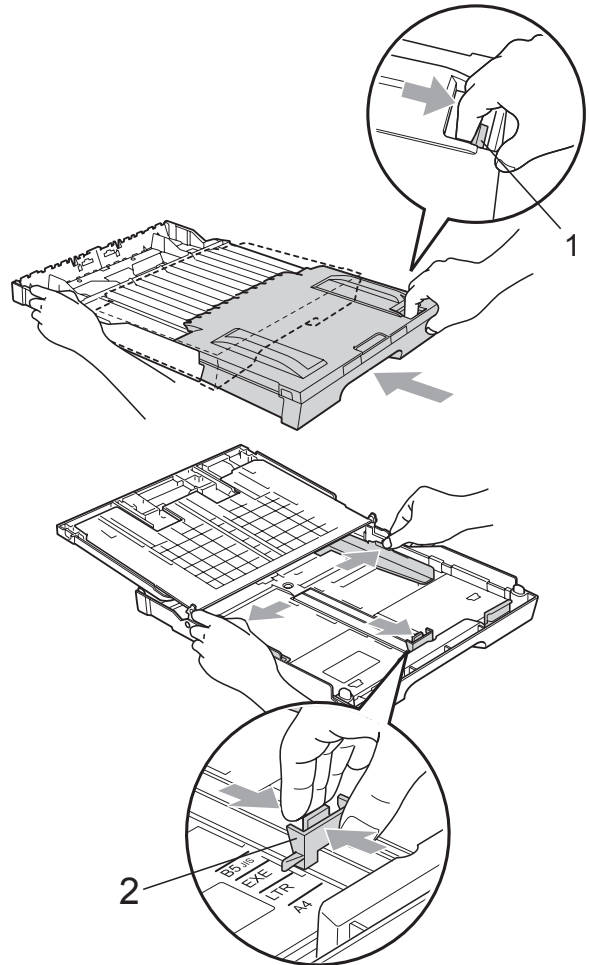
DO NOT push Tray #1 into the machine too quickly. Doing this may cause injury to your hand by trapping it between Tray #1 and Tray #2. Please push Tray #1 slowly.

- 9** While holding the paper tray in place, pull out the paper support (1) until it clicks and unfold the paper support flap (2).



Note

When you shorten tray #1, take the paper out of tray. Then shorten the tray by pressing the universal guide release button (1) and put the paper into the tray. Adjust the paper length guide (2) to fit the paper size.



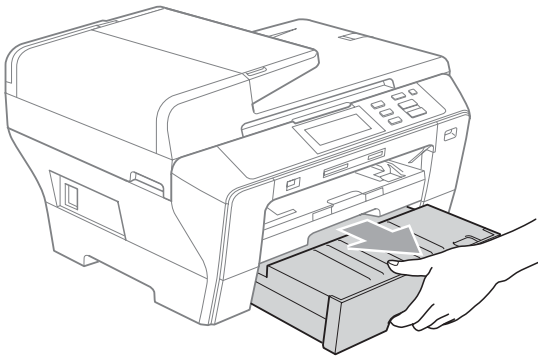
Loading paper in paper tray #2



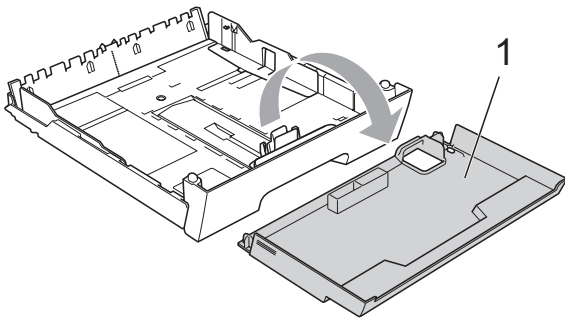
Note

You can only use plain paper sizes A3, Legal, Ledger, A4, Letter or Executive in Tray #2.

- 1 Pull the paper tray completely out of the machine.

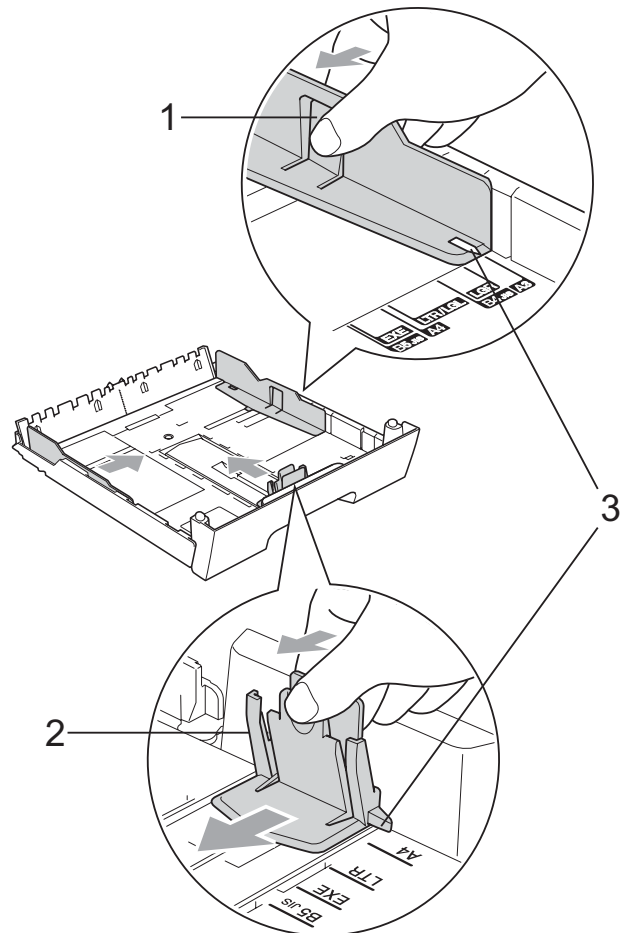


- 2 Take off the paper tray cover (1).



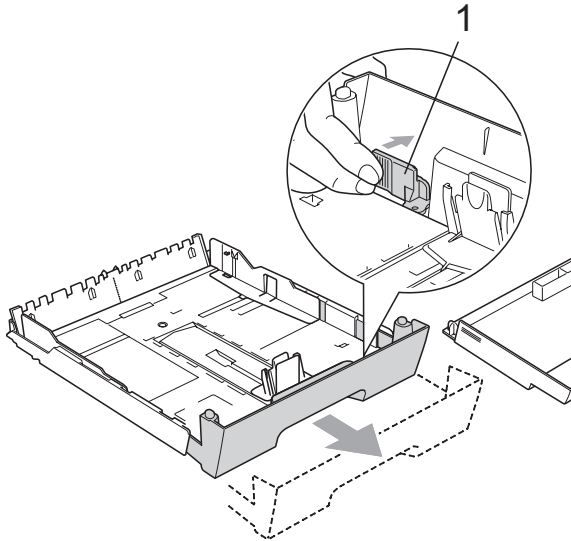
- 3 With both hands, gently press and slide the paper side guides (1) and then the paper length guide (2) to fit the paper size.

Make sure that the triangular marks (3) on the paper side guides (1) and paper length guide (2) line up with the mark for the paper size you are using.



Note

If you are using A3, Legal or Ledger size paper, press and hold the universal guide release button (1) as you slide out the front of the paper tray.

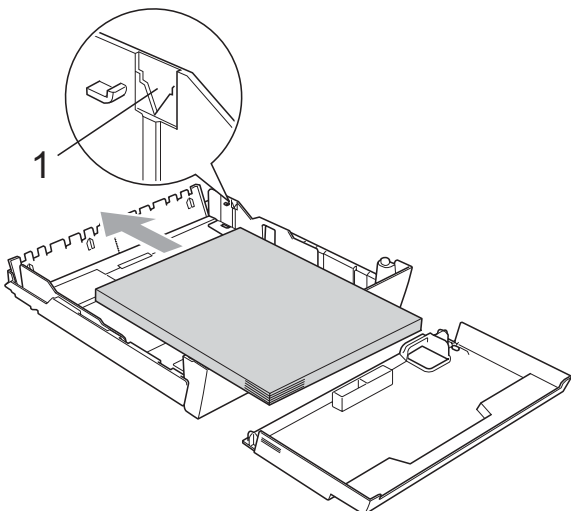


- 4 Fan the stack of paper well to avoid paper jams and misfeeds.

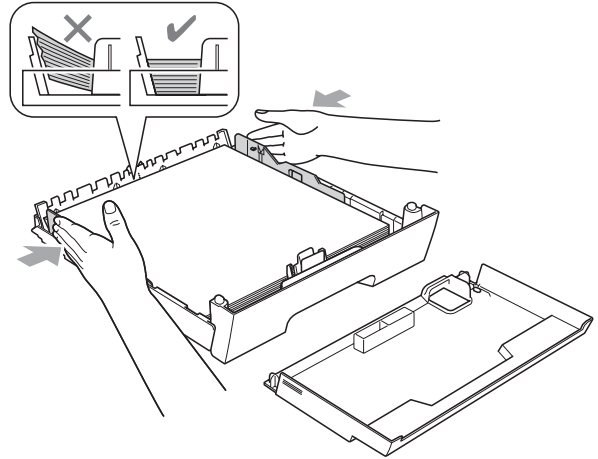
Note

Always make sure that the paper is not curled.

- 5 Gently put the paper into the paper tray print side down and top edge in first. Check that the paper is flat in the tray and below the maximum paper mark (1).

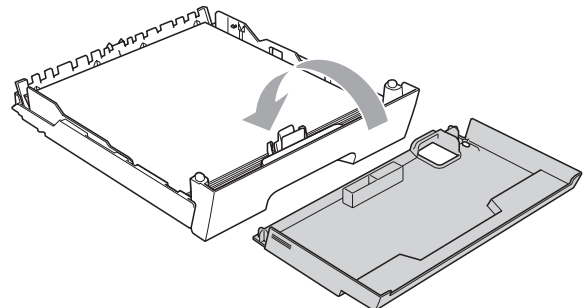


- 6 Gently adjust the paper side guides with both hands to fit the paper stack. Make sure the paper side guides touch the sides of the paper.

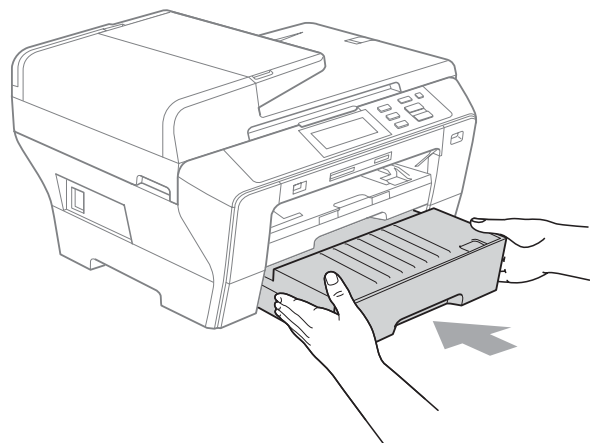
**Note**

Be careful that you do not push the paper in too far; it may lift at the back of the tray and cause feed problems.

- 7 Put on the paper tray cover.

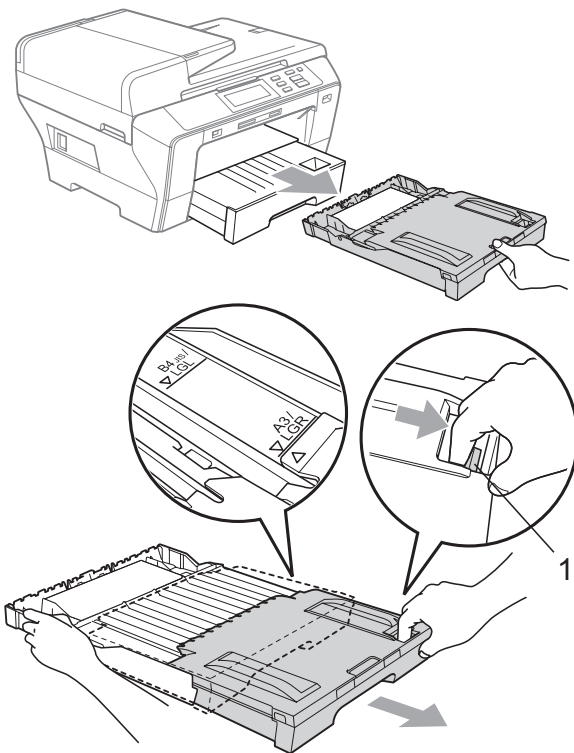


- 8 Slowly push the paper tray back into the machine.

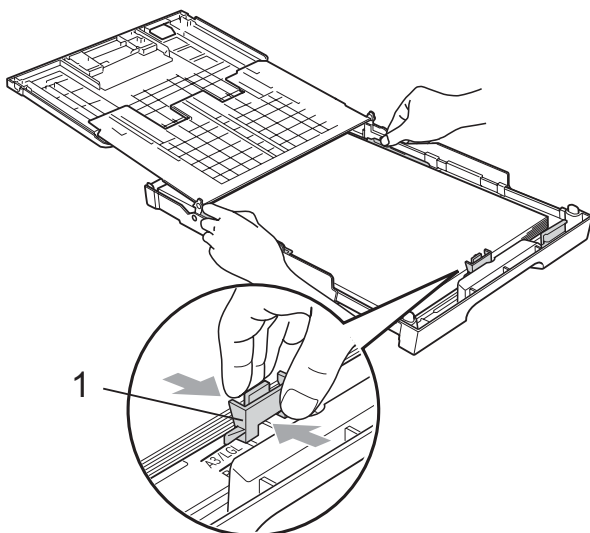


- 9 Do one of the following:
- If you are using Ledger, Legal or A3 size paper, go to step 10.
 - If you are using Letter size paper, go to step 12.

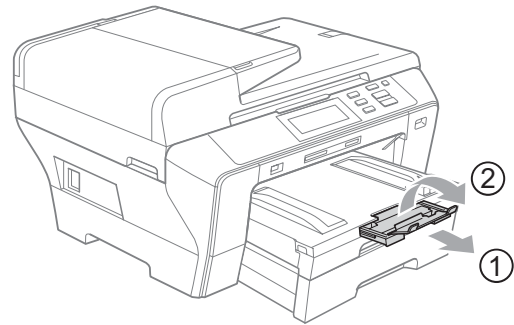
- 10 Pull tray #1 out of the machine. Press and hold the universal guide release button (1) as you slide out the front of the paper tray.



- 11 Open the paper tray cover and adjust the paper length guide (1) for the paper.

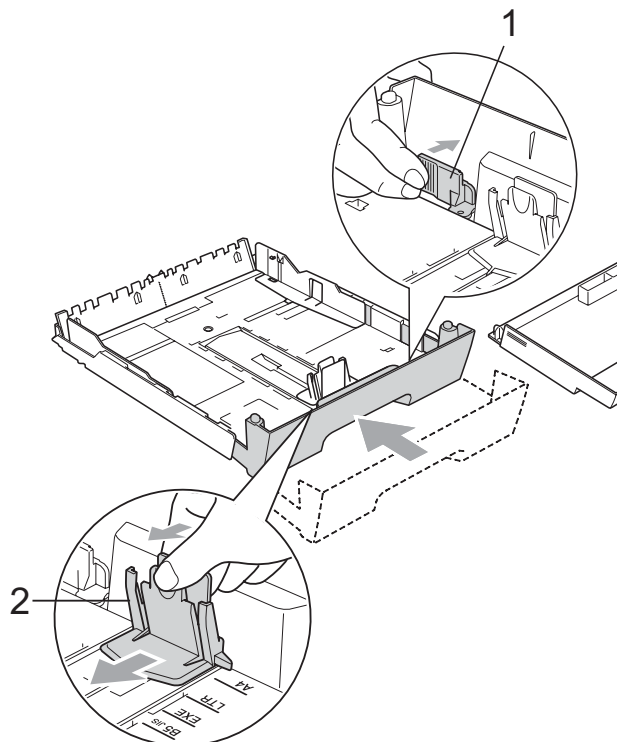


- 12 Close the paper tray cover and *slowly* push the paper tray into the machine. Pull out the paper support (1) until it clicks and unfold the paper support flap (2).



 **Note**

If you are finished using Ledger, Legal or A3 size paper and want to use a smaller paper size, take the paper out of the tray. Then shorten the tray by pressing the universal guide release button (1) and put the smaller paper into the tray and adjust the paper length guide (2) to fit the paper size you are going to use.



Loading envelopes and post cards



About envelopes

- Use envelopes that weigh between 80 to 95 g/m².
- Some envelopes need margin settings to be set in the application. Make sure you do a test print first before printing many envelopes.

! CAUTION

DO NOT use any of the following types of envelopes, as they will cause paper feed problems:

- That are of a baggy construction.
- That are embossed (have raised writing on them).
- That have clasps or staples.
- That are pre-printed on the inside.

Glue	Double flap
	

Occasionally you may experience paper feed problems caused by the thickness, size and flap shape of the envelopes you are using.

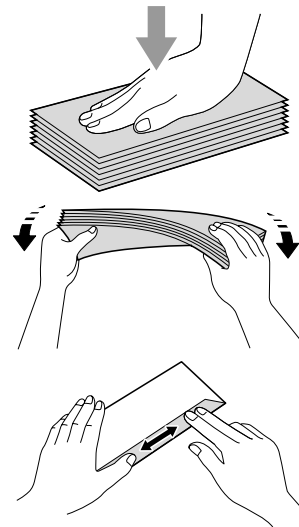
How to load envelopes and postcards

- 1 Before loading, press the corners and sides of envelopes or post cards to make them as flat as possible.

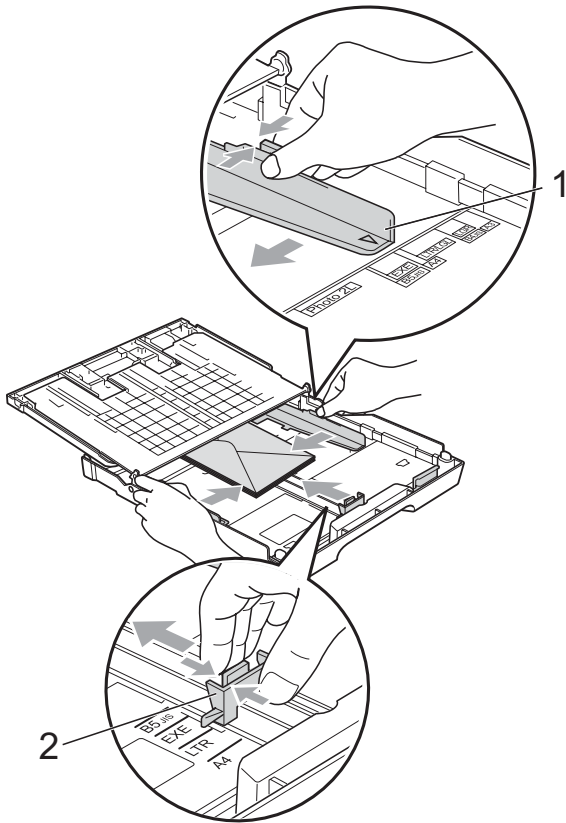


Note

If envelopes or post cards are 'double-feeding', put one envelope or post card in the paper tray at a time.

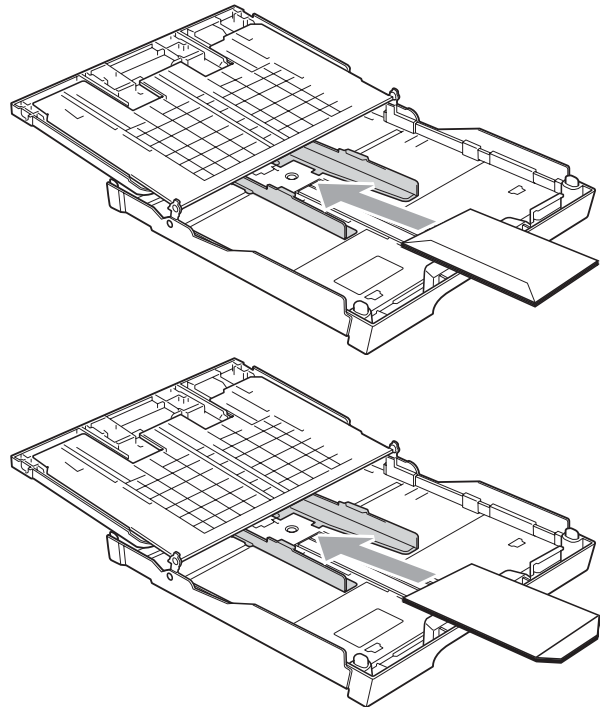


- Put envelopes or post cards in the paper tray with the address side down and the leading edge (top of the envelopes) in first. With both hands, gently press and slide the paper side guides (1) and paper length guide (2) to fit the size of the envelopes or post cards.



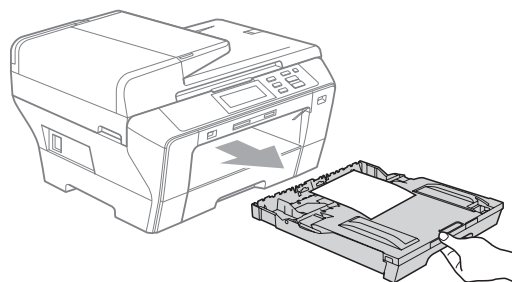
If you have problems when printing on envelopes, try the following suggestions:

- Make sure the flap is either to the side of the envelope or to the back edge of the envelope when printing.
- Adjust the size and margin in your application.



Removing small printouts from the machine

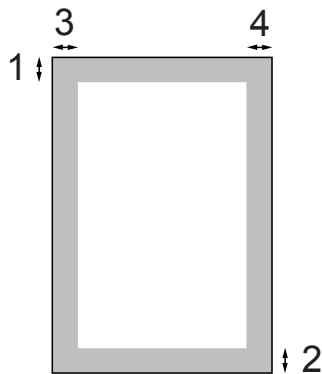
When the machine ejects small paper onto the paper tray you may not be able to reach it. Make sure printing has finished, and then pull the tray completely out of the machine.



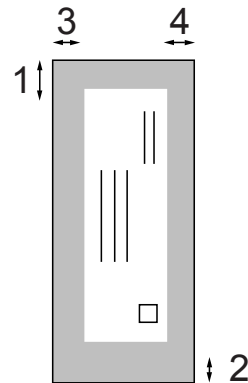
Printable area

The printable area depends on the settings in the application you are using. The figures below show the unprintable areas on cut sheet paper and envelopes. The machine can print in the shaded areas of cut sheet paper when the Borderless print feature is available and turned on. (See *Printing for Windows*[®] or *Printing and Faxing for Macintosh*[®] in the Software User's Guide on the CD-ROM.)

Cut Sheet Paper



Envelopes



	Top (1)	Bottom (2)	Left (3)	Right (4)
Cut Sheet	3 mm	3 mm	3 mm	3 mm
Envelopes	12 mm	24 mm	3 mm	3 mm



Note

The Borderless feature is not available for envelopes.

Acceptable paper and other print media

The print quality can be affected by the type of paper you use in the machine.

To get the best print quality for the settings you have chosen, always set the Paper Type to match the type of paper you load.

You can use plain paper, inkjet paper (coated paper), glossy paper, transparencies and envelopes.

We recommend testing various paper types before buying large quantities.

For best results, use Brother paper.

- When you print on inkjet paper (coated paper), transparencies and photo paper, be sure to choose the correct print media in the **'Basic'** tab of the printer driver or in the Paper Type setting of the machine's menu. (See *Paper Size and Type* on page 25.)
- When you print on Brother Photo paper, load one extra sheets of the same photo paper in the paper tray. An extra sheet has been included in the paper package for this purpose.
- When you use transparencies or photo paper, remove each sheet at once to prevent smudging or paper jams.
- Avoid touching the printed surface of the paper immediately after printing; the surface may not be completely dry and may stain your fingers.

Recommended print media

To get the best print quality, we suggest using Brother paper. (See table below.)

If Brother paper is not available in your country, we recommend testing various papers before purchasing large quantities.

We recommend using '3M Transparency Film' when you print on transparencies.

Brother paper

Paper Type	Item
A3 Plain	BP60PA3
A3 Glossy Photo	BP71GA3
A3 Inkjet (Matte)	BP60MA3
A4 Plain	BP60PA
A4 Glossy Photo	BP71GA4
A4 Inkjet (Matte)	BP60MA
10 x 15 cm Glossy Photo	BP71GP

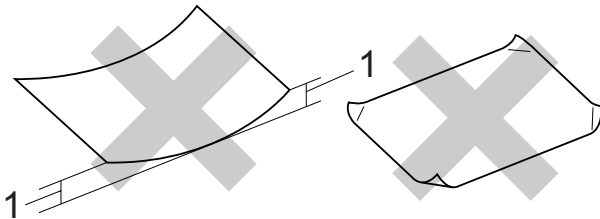
Handling and using print media

- Store paper in its original packaging, and keep it sealed. Keep the paper flat and away from moisture, direct sunlight and heat.
- Avoid touching the shiny (coated) side of photo paper. Load photo paper with the shiny side facing down.
- Avoid touching either side of transparencies because they absorb water and perspiration easily, and this may cause decreased output quality. Transparencies designed for laser printers/copiers may stain your next document. Use only transparencies recommended for inkjet printing.
- You can only print on both sides of the paper with PC printing. See *Printing for Windows®* in the Software User's Guide on the CD-ROM.

Improper Setup

DO NOT use the following kinds of paper:

- Damaged, curled, wrinkled, or irregularly shaped paper



1 2 mm or greater

- Extremely shiny or highly textured paper
- Paper that cannot be arranged uniformly when stacked

Paper capacity of the paper tray

Up to 50 sheets of Letter or A4 20 lb
(80 g/m²) paper.

- Transparencies and photo paper must be picked up from the paper tray one page at a time to avoid smudging.

Choosing the right print media

Paper type and size for each operation

Paper Type	Paper Size		Usage		
			Copy	Photo Capture	Printer
Cut Sheet	Ledger	279 × 432 mm (11 × 17 in.)	Yes	Yes	Yes
	A3	297 × 420 mm (11.7 × 16.5 in.)	Yes	Yes	Yes
	Letter	216 × 279 mm (8 1/2 × 11 in.)	Yes	Yes	Yes
	A4	210 × 297 mm (8.3 × 11.7 in.)	Yes	Yes	Yes
	Legal	216 × 356 mm (8 1/2 × 14 in.)	Yes	–	Yes
	Executive	184 × 267 mm (7 1/4 × 10 1/2 in.)	–	–	Yes
	JIS B4	257 × 364 mm (10.1 × 14.3 in.)	–	–	Yes
	JIS B5	182 × 257 mm (7.2 × 10.1 in.)	–	–	Yes
	A5	148 × 210 mm (5.8 × 8.3 in.)	Yes	–	Yes
A6	105 × 148 mm (4.1 × 5.8 in.)	–	–	Yes	
Cards	Photo	10 × 15 cm (4 × 6 in.)	Yes	Yes	Yes
	Photo L	89 × 127 mm (3 1/2 × 5 in.)	–	–	Yes
	Photo 2L	13 × 18 cm (5 × 7 in.)	–	Yes	Yes
	Index Card	127 × 203 mm (5 × 8 in.)	–	–	Yes
	PostCard 1	100 × 148 mm (3.9 × 5.8 in.)	–	–	Yes
	PostCard 2 (Double)	148 × 200 mm (5.8 × 7.9 in.)	–	–	Yes
Envelopes	C5 Envelope	162 × 229 mm (6.4 × 9 in.)	–	–	Yes
	DL Envelope	110 × 220 mm (4.3 × 8.7 in.)	–	–	Yes
	COM-10	105 × 241 mm (4 1/8 × 9 1/2 in.)	–	–	Yes
	Monarch	98 × 191 mm (3 7/8 × 7 1/2 in.)	–	–	Yes
	JE4 Envelope	105 × 235 mm (4.1 × 9.3 in.)	–	–	Yes
Transparencies	Letter	216 × 279 mm (8 1/2 × 11 in.)	Yes	–	Yes
	A4	210 × 297 mm (8.3 × 11.7 in.)	Yes	–	Yes

Paper weight, thickness and capacity

Paper Type		Weight	Thickness	No. of sheets
Cut Sheet	(Tray #1) Plain Paper	64 to 120 g/m ²	0.08 to 0.15 mm	150 ¹
	(Tray #2) Plain Paper	64 to 105 g/m ²	0.08 to 0.15 mm	250 ²
	Inkjet Paper	64 to 200 g/m ²	0.08 to 0.25 mm	20
	Glossy Paper	Up to 220 g/m ²	Up to 0.25 mm	20
Cards	Photo Card	Up to 220 g/m ²	Up to 0.25 mm	20
	Index Card	Up to 120 g/m ²	Up to 0.15 mm	30
	PostCard	Up to 200 g/m ²	Up to 0.25 mm	30
Envelopes		75 to 95 g/m ²	Up to 0.52 mm	10
Transparencies		–	–	10

¹ Up to 150 sheets of 80 g/m² paper.

² Up to 250 sheets of 80 g/m² paper.

Loading documents

You can make copies, and scan from the ADF (automatic document feeder) and from the scanner glass.

Using the ADF

The ADF can hold up to 50 pages and feeds each sheet individually. Use standard 80 g/m² paper and always fan the pages before putting them in the ADF.

Recommended environment

Temperature:	20° C to 30° C
Humidity:	50% to 70%
Paper:	80 g/m ²

Document Sizes Supported

Length:	148 to 431.8 mm
Width:	148 to 297 mm
Weight:	64 to 90 g/m ²

How to load documents

! CAUTION

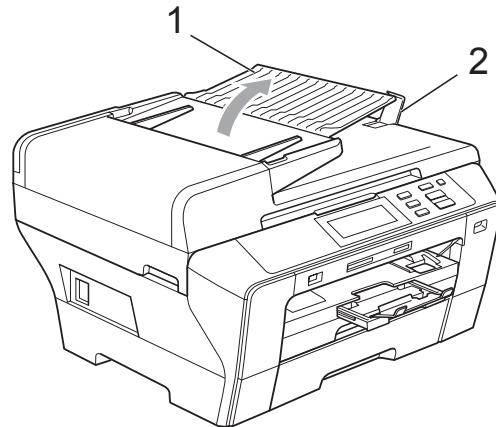
DO NOT pull on the document while it is feeding.

DO NOT use paper that is curled, wrinkled, folded, ripped, stapled, paper clipped, pasted or taped.

DO NOT use cardboard, newspaper or fabric.

- Make sure documents written with ink are completely dry.

- 1 Unfold the ADF Document Support (1) and the ADF Document Output Support Flap (2).

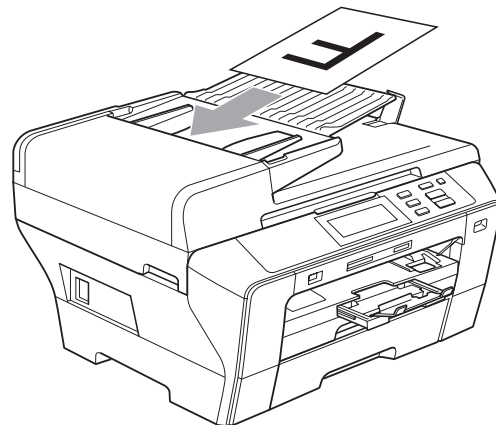


- 2 Fan the pages well.
- 3 Place your document, **face up, top edge first** in the ADF until you feel them touch the feed roller.

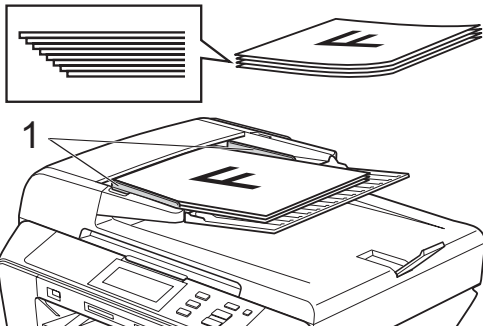


Note

Insert A4/Letter documents short-edge first.



- 4 Adjust the paper guides (1) to fit the width of your document.



! CAUTION

DO NOT leave a thick document on the scanner glass. If you do this, the ADF may jam.

Using the scanner glass

You can use the scanner glass to copy or scan pages of a book or one page at a time.

Document Sizes Supported

Length:	Up to 431.8 mm
Width:	Up to 297 mm
Weight:	Up to 2 kg

How to load documents

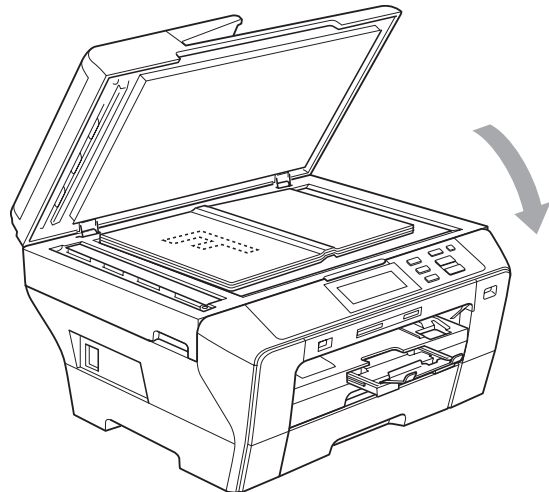
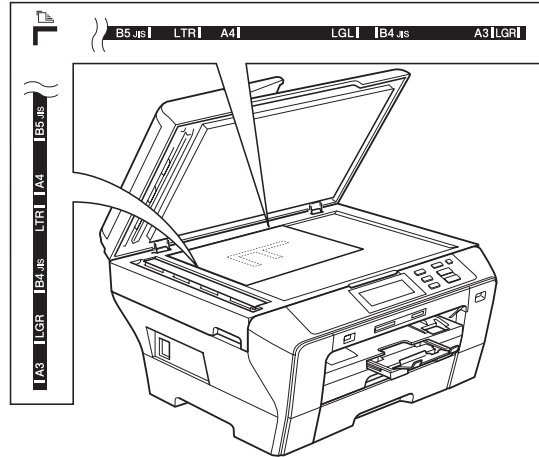


Note

To use the scanner glass, the ADF must be empty.

- 1 Lift the document cover.

- 2 Using the document guidelines on the left and top, place the document face down in the upper left corner of the scanner glass.



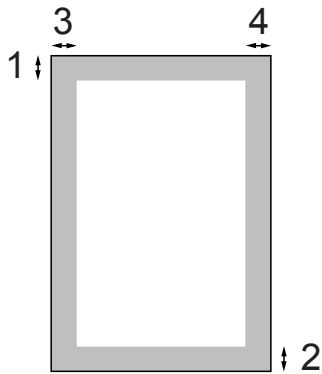
- 3 Close the document cover.

! CAUTION

If you are scanning a book or thick document, DO NOT slam the cover down or press on it.

Scannable area

The scannable area depends on the settings in the application you are using. The figures below show the areas you cannot scan on paper.



Usage	Document Size	Top (1) Bottom (2)	Left (3) Right (4)
Copy	All paper sizes	3 mm	3 mm
Scan	All paper sizes	3 mm	3 mm

Paper settings

Paper Size and Type

To get the best print quality, set the machine for the type of paper you are using.

You can use seven sizes of paper for printing copies: A3, A4, A5, 10 × 15 cm (4 × 6 in.), Ledger, Letter and Legal. When you load a different size of paper in the machine, you will need to change the paper size setting at the same time.

- 1 Press **MENU**.
- 2 Press **▲** or **▼** to display **General Setup**.
- 3 Press **General Setup**.
- 4 Press **Tray Setting**.
Press **Tray#1** or **Tray#2**.
- 5 Do one of the following:
 - If you chose **Tray#1**, press and choose **A4, A5, A3, 10x15cm, Letter, Legal** or **Ledger**.
Press and choose **Plain Paper, Inkjet Paper, Brother BP71, Other Glossy** or **Transparency**.
 - If you chose **Tray#2**, press and choose **A4, A3, Letter, Legal** or **Ledger**.
- 6 Press **Stop/Exit**.



Note

- You can only use plain paper and paper sizes A3, A4, Ledger, Letter or Legal in Tray #2.
- The machine ejects paper with printed surfaces face up onto the paper tray in front of the machine. When you use transparencies or glossy paper, remove each sheet at once to prevent smudging or paper jams.

Secure Paper Feed mode for A3 size Short Grain Paper

If your print datas have horizontal lines when using A3 paper, your paper may be long grain paper. Choose **A3 - Short Grain** to **Off** to avoid this problem.

- 1 Press **MENU**.
- 2 Press **▲** or **▼** to display **General Setup**.
- 3 Press **General Setup**.
- 4 Press **▲** or **▼** to display **A3 - Short Grain**.
- 5 Press **A3 - Short Grain**.
- 6 Press **Off**.
- 7 Press **Stop/Exit**.



Note

- If you are not sure about the type of paper you are using, consult the paper packaging or manufacturer for paper specifications.
- Printing will be slower when using the **A3 - Short Grain** setting **On**.

Sleep Mode

You can choose how long the machine must be idle (from 1 to 60 minutes) before it goes into sleep mode. The timer will restart if any operation is carried out on the machine. The default setting is 10 minutes.

- 1 Press **MENU**.
- 2 Press **▲** or **▼** to display **General Setup**.
- 3 Press **General Setup**.
- 4 Press **▲** or **▼** to display **Sleep Mode**.
- 5 Press **Sleep Mode**.
- 6 Press and choose **1 Min, 2 Mins, 3 Mins, 5 Mins, 10 Mins, 30 Mins** or **60 Mins**, which is the length of time the machine is idle before entering sleep mode.
- 7 Press **Stop/Exit**.

Beeper Volume

When the beeper is on, the machine will beep when you press a key or make a mistake.

You can choose a range of volume levels, from **High** to **Off**.

- 1 Press **MENU**.
- 2 Press **▲** or **▼** to display **General Setup**.
- 3 Press **General Setup**.
- 4 Press **Beeper**.
- 5 Press and choose **Low, Med, High** or **Off**.
- 6 Press **Stop/Exit**.

LCD screen

Changing LCD Language

You can change the LCD language.

- 1 Press **MENU**.
- 2 Press **▲** or **▼** to display Initial Setup.
- 3 Press **Initial Setup**.
- 4 Press **Local Language**.
- 5 Press and choose your language.
- 6 Press **Stop/Exit**.

LCD Contrast

You can adjust the LCD contrast for a sharper and more vivid display. If you are having difficulty reading the LCD, try changing the contrast setting.

- 1 Press **MENU**.
- 2 Press **▲** or **▼** to display General Setup.
- 3 Press **General Setup**.
- 4 Press **LCD Settings**.
- 5 Press **LCD Contrast**.
- 6 Press and choose **Light, Med or Dark**.
- 7 Press **Stop/Exit**.

Setting the backlight brightness

If you are having difficulty reading the LCD, try changing the brightness setting.

- 1 Press **MENU**.
- 2 Press **▲** or **▼** to display General Setup.
- 3 Press **General Setup**.
- 4 Press **LCD Settings**.
- 5 Press **Backlight**.
- 6 Press and choose **Light, Med or Dark**.
- 7 Press **Stop/Exit**.

Setting the Dim Timer for the backlight

You can set how long the LCD backlight stays on after the last key press.

- 1 Press **MENU**.
- 2 Press **▲** or **▼** to display General Setup.
- 3 Press **General Setup**.
- 4 Press **LCD Settings**.
- 5 Press **Dim Timer**.
- 6 Press and choose **Off, 10 Secs, 20 Secs or 30 Secs**.
- 7 Press **Stop/Exit**.

Printing Reports

The following reports are available:

- `Help List`
A help list showing how to program your machine.
- `User Settings`
Lists your settings.
- `Network Config`
Lists your Network settings.

How to print a report

- 1 Press `MENU`.
- 2 Press `▲` or `▼` to display `Print Reports`.
- 3 Press `Print Reports`.
- 4 Choose the report you want and press the button.
- 5 Press **Mono Start**.
- 6 Press **Stop/Exit**.



Copy

Making copies

30

4

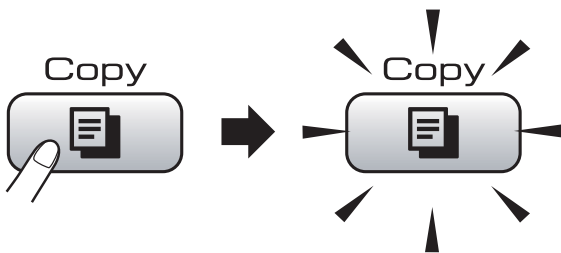
Making copies

How to copy

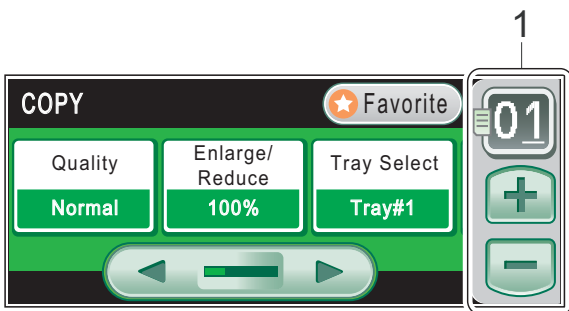
Entering Copy mode

When you want to make a copy, press

 (**Copy**) to illuminate it in blue.



The LCD shows:



1 No. of Copies

Enter the number of copies you want either by pressing the number or pressing + or - on the screen (as shown above).


Press ◀ or ▶ to scroll through the copy options. Press the option that you want to set.

- Quality (See page 31.)
- Enlarge/Reduce (See page 31.)
- Tray Select (See page 32.)
- Paper Type (See page 32.)
- Paper Size (See page 33.)
- Brightness (See page 33.)
- Contrast (See page 33.)
- Stack/Sort (See page 33.)
- Page Layout (See page 34.)
- Skew Adjustment (See page 36.)


- Book Copy (See page 36.)
- Watermark Copy (See page 37.)
- Favorite Settings (See page 38.)

Note

Book Copy and Watermark Copy features are supported by technology


from Reallusion, Inc. 

Making a single copy

- 1 Press  (**Copy**).
- 2 Load your document.
(See *Loading documents* on page 22.)
- 3 Press **Mono Start** or **Colour Start**.

Making multiple copies

You can make up to 99 copies in one print run.

- 1 Press  (**Copy**).
- 2 Load your document.
(See *Loading documents* on page 22.)
- 3 Enter the number of copies you want.
- 4 Press **Mono Start** or **Colour Start**.

Note

To sort the copies, press **Stack/Sort**.
(See *Sorting copies using the ADF* on page 33.)

Stop copying

To stop copying, press **Stop/Exit**.

Copy settings

You can change the copy settings temporarily for the next multiple copies.

If you have finished choosing settings, press **Mono Start** or **Colour Start**.

You can choose the multiple settings, press and set all the options that you like.



Note

You can save some of the settings that you use most often by setting them as a favourite (up to three can be saved). These settings will stay until you change them again. (See *Setting your favourites* on page 38.)

Changing copy speed and quality

You can choose from a range of quality. The factory setting is *Normal*.

■ Fast


Fast copy speed and lowest amount of ink used. Use to save time printing documents to be proof-read, large documents or many copies.

■ Normal

Normal is the recommended mode for ordinary print outs. This produces good copy quality with good copy speed.

■ Best


Use best mode to copy precise images such as photographs. This provides the highest resolution and slowest speed.

- 1 Press  (**Copy**).
- 2 Load your document.
- 3 Enter the number of copies you want.
- 4 Press ◀ or ▶ to display *Quality*.
- 5 Press *Quality* and choose *Fast*, *Normal* or *Best*.
- 6 If you do not want to change additional settings, press **Mono Start** or **Colour Start**.

4

Enlarging or reducing the image copied

You can choose an enlargement or reduction ratio. If you choose *Fit to Page*, your machine will adjust the size automatically to the paper size you set.

- 1 Press  (**Copy**).
- 2 Load your document.
- 3 Enter the number of copies you want.
- 4 Press ◀ or ▶ to display *Enlarge/Reduce*.
- 5 Press *Enlarge/Reduce*.
- 6 Press and choose *100%*, *Enlarge*, *Reduce*, *Fit to Page* or *Custom (25-400%)*.

- 7** Do one of the following:
- If you chose **Enlarge** or **Reduce**, press and choose the enlargement or reduction ratio you want.
 - If you chose **Custom (25-400%)**, enter an enlargement or reduction ratio from 25% to 400%.
Press **OK**.
 - If you chose **100%** or **Fit to Page**, go to step **8**.

100%
198% 10x15cm → A4
186% 10x15cm → LTR
142% A4→A3, A5→A4
97% LTR → A4
93% A4 → LTR
83% LGL → A4
69% A3→A4, A4→A5
47% A4→10x15cm
Fit to Page
Custom (25-400%)

- 8** If you do not want to change additional settings, press **Mono Start** or **Colour Start**.




Note

- **Page Layout** is not available with **Enlarge/Reduce** and **Skew Adjustment**.
- **Fit to Page** option is not available with **Sort, Book Copy** and **Watermark Copy**.
- **Fit to Page** does not work properly if the document on the scanner glass is skewed by more than 3 degrees. Using the document guidelines on the left and top, place your document in the upper left hand corner, with the document face down on the scanner glass.
- **Fit to Page** option is not available when using **Legal** size paper.

Tray Select


You can change the tray that will be used for the next copy. To change the default tray see *Setting your favourites* on page 38.

- 1** Press  (**Copy**).
- 2** Load your document.
- 3** Enter the number of copies you want.
- 4** Press **◀** or **▶** to display **Tray Select**.
- 5** Press **Tray Select**.
- 6** Press and choose **Tray#1** or **Tray#2**.
- 7** Press **Mono Start** or **Colour Start**.

Paper Options


Paper Type

If you are copying on special paper, set the machine for the type of paper you are using to get the best print quality.

- 1** Press  (**Copy**).
- 2** Load your document.
- 3** Enter the number of copies you want.
- 4** Press **◀** or **▶** to display **Paper Type**.
- 5** Press **Paper Type**.
- 6** Press and choose **Plain Paper**, **Inkjet Paper**, **Brother BP71**, **Other Glossy** or **Transparency**.
- 7** If you do not want to change additional settings, press **Mono Start** or **Colour Start**.

Paper Size


If copying on paper other than A4 size, you will need to change the paper size setting. You can copy only on Ledger, A3, Letter, Legal, A4, A5 or Photo 10 cm × 15 cm paper.

- 1 Press  (**Copy**).
- 2 Load your document.
- 3 Enter the number of copies you want.
- 4 Press ◀ or ▶ to display `Paper Size`.
- 5 Press `Paper Size`.
- 6 Press and choose `A4`, `A5`, `A3`, `10x15cm`, `Letter`, `Legal` or `Ledger`.
- 7 If you do not want to change additional settings, press **Mono Start** or **Colour Start**.

Adjusting Brightness and Contrast


Brightness

You can adjust the copy brightness to make copies darker or lighter.

- 1 Press  (**Copy**).
- 2 Load your document.
- 3 Enter the number of copies you want.
- 4 Press ◀ or ▶ to display `Brightness`.
- 5 Press `Brightness`.
- 6 Press ◀ or ▶ to make a darker or lighter copy. Press `OK`.
- 7 If you do not want to change additional settings, press **Mono Start** or **Colour Start**.


Contrast

You can adjust the copy contrast to help an image look sharper and more vivid.

- 1 Press  (**Copy**).
- 2 Load your document.
- 3 Enter the number of copies you want.
- 4 Press ◀ or ▶ to display `Contrast`.
- 5 Press `Contrast`.
- 6 Press ◀ or ▶ to change the contrast. Press `OK`.
- 7 If you do not want to change additional settings, press **Mono Start** or **Colour Start**.

Sorting copies using the ADF

You can sort multiple copies. Pages will be sorted in the order 321, 321, 321, and so on.

- 1 Press  (**Copy**).
- 2 Load your document.
- 3 Enter the number of copies you want.
- 4 Press ◀ or ▶ to display `Stack/Sort`.
- 5 Press `Stack/Sort`.
- 6 Press and choose `Sort`.
- 7 If you do not want to change additional settings, press **Mono Start** or **Colour Start**.



Note

`Fit to Page`, `Page Layout` and `Book Copy` are not available with `Sort`.

Making N in 1 copies or a poster (Page Layout)

The N in 1 copy feature can help you save paper by letting you copy two or four pages onto one printed page.

The 1 to 2 feature copies one A3 or Ledger size page onto two A4 or Letter size pages. If you use this setting, use the scanner glass.

You can also produce a poster. When you use the poster feature your machine divides your document into sections, then enlarges the sections so you can assemble them into a poster. If you want to print a poster, use the scanner glass.


Important

- Make sure paper size is set to A4, A3, Letter or Ledger.
- You cannot use the Enlarge/Reduce setting with the N in 1 and Poster features.
- If you are producing multiple colour copies, N in 1 copy is not available.
- (P) means Portrait and (L) means Landscape.
- You can only make one poster copy and 1 to 2 copy at a time.



Note

Watermark Copy, Book Copy, Sort, Enlarge/Reduce and Skew Adjustment are not available with Page Layout.

- 1 Press  (Copy).
- 2 Load your document.
- 3 Enter the number of copies you want.
- 4 Press ◀ or ▶ to display Page Layout.
- 5 Press Page Layout.
- 6 Press and choose Off (1in1), 2in1 (P), 2in1 (L), 4in1 (P), 4in1 (L), 1 to 2, Poster (2 x 2) or Poster (3 x 3).
If you choose 2 in 1 or Poster (2 x 2) with A3 or Ledger, go to step 7.
If you choose another setting, go to step 8.
- 7 Do one of the following:
 - If you choose 2in1 (P) or 2in1 (L), press and choose A3x2 → A3x1, A4x2 → A3x1, LGRx2 → LGRx1 or LTRx2 → LGRx1.
 - If you choose Poster (2 x 2), press and choose A3x1 → A3x4, A4x1 → A3x4, LGRx1 → LGRx4 or LTRx1 → LGRx4.
- 8 If you do not want to change additional settings, press **Mono Start** or **Colour Start** to scan the page. If you placed the document in the ADF or are making a poster, the machine scans the pages and starts printing. **If you are using the scanner glass, go to step 9.**
- 9 After the machine scans the page, press Yes to scan the next page.
- 10 Place the next page on the scanner glass. Press **Mono Start** or **Colour Start**. Repeat steps 9 and 10 for each page of the layout.
- 11 After all the pages have been scanned, press No to finish.

If you are copying from the ADF, insert the document face up in the direction shown below:

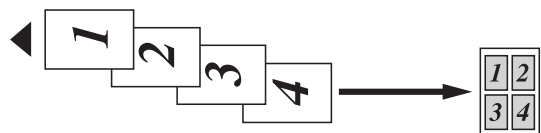
■ 2 in 1 (P)



■ 2 in 1 (L)



■ 4 in 1 (P)



■ 4 in 1 (L)

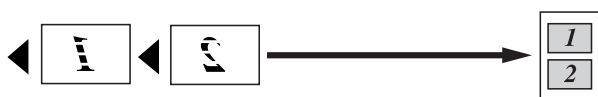


If you are copying from the scanner glass, place the document face down in the direction shown below:

■ 2 in 1 (P)



■ 2 in 1 (L)



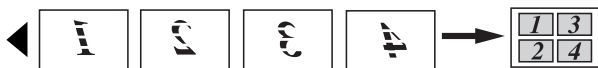
■ 1 to 2



■ 4 in 1 (P)

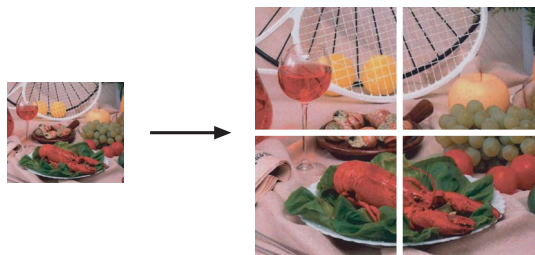


■ 4 in 1 (L)



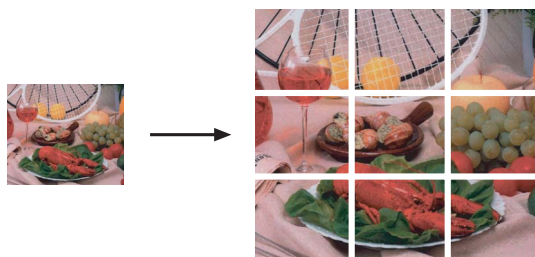
■ Poster (2 x 2)

You can make a poster size copy of a photograph.




■ Poster (3 x 3)

You can make a poster size copy of a photograph.



Skew Adjustment

If your copy is scanned skewed, your machine can correct the data automatically. If you use this setting, use the scanner glass and 100% copy.

- 1 Press  (**Copy**).
- 2 Load your document.
- 3 Enter the number of copies you want.
- 4 Press ◀ or ▶ to display Skew Adjustment.
- 5 Press Skew Adjustment.
- 6 Press Auto (or Off).
- 7 If you do not want to change additional settings, press **Mono Start** or **Colour Start**.






Note

- Skew Adjustment is not available with Page Layout, Book Copy, Enlarge/Reduce and Watermark Copy.
 - You cannot use this setting with Ledger, A3 or paper smaller than 64mm × 91mm.
 - This setting is only available for paper that is rectangular or square.
 - Skew Adjustment is only available if the document is skewed by less than 3.0 degrees.
 - Skew Adjustment may not work correctly if your document is too thick.
-

Book Copy

Book copy corrects dark borders and skew. Your machine can correct the data automatically or you can make specific corrections.

If you use this setting, use the scanner glass.

- 1 Press  (**Copy**).
- 2 Load your document.
- 3 Enter the number of copies you want.
- 4 Press ◀ or ▶ to display Book Copy.
- 5 Press Book Copy.
- 6 Do one of the following:
 - If you want to correct the data yourself, press On (Preview). Press **Mono Start** or **Colour Start** and go to step 7.
 - If you want the machine to correct the data automatically, press On and go to step 8.
- 7 Adjust the skewed data by using  or . Remove the shadows by using  or .
- 8 If you have finished making corrections, press **Mono Start** or **Colour Start**.

Note

Book Copy is not available with Page Layout, Sort, Fit to Page, Skew Adjustment or Watermark Copy.


Watermark Copy

You can place a logo or text into your document as a Watermark. You can select one of the template watermarks, data from your media card or USB Flash memory drive, or scanned data.



Note

Watermark Copy is not available with Fit to Page, Page Layout, Skew Adjustment and Book Copy.

- 1 Press  (**Copy**).
- 2 Press ◀ or ▶ to display Watermark Copy.
- 3 Press Watermark Copy.
- 4 Press Use Watermark.
Do one of the following:
 - If you want to use a template from the machine, press Edit Template and go to step 5.
 - If you want to use your own data as a watermark, press Use Image and go to step 6.
- 5 Press Text and choose the data you want to use, CONFIDENTIAL, DRAFT or COPY. Press OK.
Change other watermark settings from the available options as needed. Press OK.
Go to step 7.

- 6 Do one of the following:
 - If you want to use your document as the watermark, press Scan.
Place the document that you want to use for the watermark in the ADF or on the scanner glass and press **Mono Start** or **Colour Start**.
The scanned data will be shown on the LCD.
Press OK and remove the watermark document you scanned.
Go to step 7.
 - If you want to use your data from a media card or USB Flash memory drive as the watermark, insert the media card or USB flash memory drive and then press Media.
The image will be shown on the LCD.
Press and choose the image you want to use for the watermark.
Change other watermark settings from the available options as needed.
Press OK.
Go to step 7.


CAUTION

DO NOT take out the memory card or USB Flash memory drive while the PhotoCapture key is blinking to avoid damaging the card, USB Flash memory drive or data stored on the card.

- 7 Press OK to confirm to use watermark.
Load your document.
- 8 Enter the number of copies you want.
- 9 If you do not want to change additional settings, press **Mono Start** or **Colour Start**.

Setting your favourites


You can store the copy settings that you use most often by setting them as a favourite. You can set up to three favourites.

- 1 Press  (**Copy**).
- 2 Choose the copy option and settings you want to store.
- 3 Press ◀ or ▶ to display Favorite Settings.
- 4 Press Favorite Settings.
- 5 Press Store.



Note

Set Watermark Copy to Off or Template when storing Favourite Settings.

- 6 Press and choose the location where you want to store your setting for Favorite:1, Favorite:2 or Favorite:3.
- 7 Do one of the following:
 - If you want to rename your setting, press  to delete characters. Then enter the new name (up to 12 characters).
Press OK. (See *Entering Text* on page 111.)
 - If you do not want to rename your setting, press OK.


Retrieving your favourite setting

When you are ready to use one of your favourite of settings, you can recall it.

- 1 Press Favorite.
- 2 Press and choose the favourite setting you want to retrieve.

Rename your favourite setting

After you stored your favourite setting, you can rename it.

- 1 Press  (**Copy**).
- 2 Press ◀ or ▶ to display Favorite Settings.
- 3 Press Favorite Settings.
- 4 Press Rename.
- 5 Press and choose the favourite setting you want to rename.
- 6 Enter the new name (up to 12 characters). (See *Entering Text* on page 111.)
- 7 Press OK.



Direct Photo Printing

Printing photos from a memory card or USB Flash memory drive	40
Printing photos from a camera	54

5

Printing photos from a memory card or USB Flash memory drive

PhotoCapture Center™ Operations

Printing from a memory card or USB Flash memory drive without a PC

Even if your machine is not connected to your computer, you can print photos directly from digital camera media or a USB Flash memory drive. (See *Print Images* on page 43.)

Scanning to a memory card or USB Flash memory drive without a PC

You can scan documents and save them directly to a memory card or USB Flash memory drive. (See *Scan to a memory card or USB Flash memory drive* on page 51.)

Using PhotoCapture Center™ from your computer

You can access a memory card or USB Flash memory drive that is inserted in front of the machine from your PC.

(See *PhotoCapture Center™ for Windows®* or *Remote Setup & PhotoCapture Center™ for Macintosh®* in the Software User's Guide on the CD-ROM.)

Using a memory card or USB Flash memory drive

Your Brother machine has media drives (slots) for use with the following popular digital camera media: CompactFlash®, Memory Stick®, Memory Stick Pro™, SD, SDHC, xD-Picture Card™ and USB Flash memory drives.



CompactFlash®



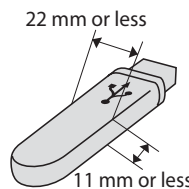
Memory Stick®
Memory Stick Pro™



SD, SDHC



xD-Picture Card™



USB Flash memory drive

- miniSD™ can be used with a miniSD™ adapter.
- microSD can be used with a microSD adapter.
- Memory Stick Duo™ can be used with a Memory Stick Duo™ adapter.
- Memory Stick Pro Duo™ can be used with a Memory Stick Pro Duo™ adapter.
- Memory Stick Micro (M2) can be used with a Memory Stick Micro (M2) adapter.
- Adapters are not included with the machine. Contact a third party supplier for adapters.

The PhotoCapture Center™ feature lets you print digital photos from your digital camera at high resolution to get photo quality printing.

Memory cards or a USB Flash memory drive folder structure

Your machine is designed to be compatible with modern digital camera image files, memory cards and USB Flash memory drive; however, please read the points below to avoid errors:

- The image file extension must be .JPG (Other image file extensions like .JPEG, .TIF, .GIF and so on will not be recognized).
- PhotoCapture Center™ printing must be performed separately from PhotoCapture Center™ operations using the PC. (Simultaneous operation is not available.)
- IBM Microdrive™ is not compatible with the machine.
- The machine can read up to 999 files on a memory card or USB Flash memory drive.
- CompactFlash® Type II is not supported.
- This product supports xD-Picture Card™ Type M / Type M+ / Type H (Large Capacity).
- The DPOF file on the memory cards must be in a valid DPOF format. (See *DPOF printing* on page 46.)

Please be aware of the following:

- When printing the Print Index or Print Images, the PhotoCapture Center™ will print all valid images, even if one or more images have been corrupted. Corrupted images will not be printed.

■ (memory card users)

Your machine is designed to read memory cards that have been formatted by a digital camera.

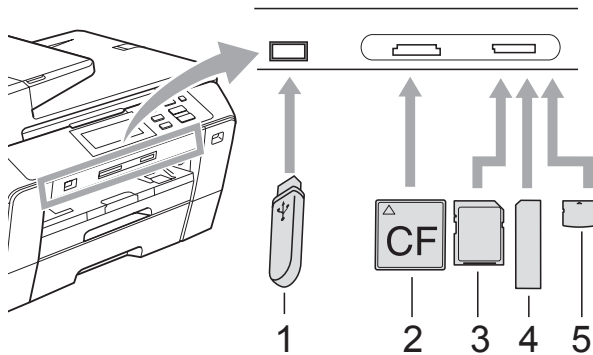
When a digital camera formats a memory card it creates a special folder into which it copies image data. If you need to modify the image data stored on a memory card with your PC, we recommend that you do not modify the folder structure created by the digital camera. When saving new or modified image files to the memory card we also recommend you use the same folder your digital camera uses. If the data is not saved to the same folder, the machine may not be able to read the file or print the image.

■ (USB Flash memory drive users)

This machine supports USB Flash memory drives that have been formatted by Windows®.

Getting started

Firmly put a memory card or USB Flash memory drive into the correct slot.

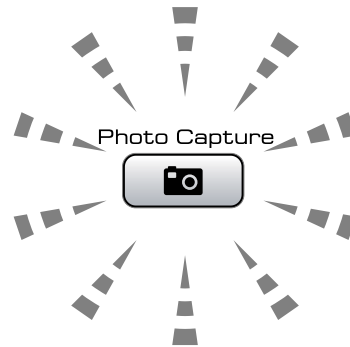


- 1 USB Flash memory drive
- 2 CompactFlash®
- 3 SD, SDHC
- 4 Memory Stick®, Memory Stick Pro™
- 5 xD-Picture Card™

! CAUTION

The USB direct interface supports only a USB Flash memory drive, a PictBridge compatible camera, or a digital camera that uses the USB mass storage standard. Any other USB devices are not supported.

Photo Capture key indications:



- **Photo Capture** light is on, the memory card or USB Flash memory drive is correctly inserted.
- **Photo Capture** light is off, the memory card or USB Flash memory drive is not correctly inserted.
- **Photo Capture** light is blinking, memory card or USB Flash memory drive is being read or written to.


! CAUTION

DO NOT unplug the power cord or remove the media from the media drive (slot) or USB direct interface while the machine is reading or writing to the media (the **Photo Capture** key is blinking). **You will lose your data or damage the card.**

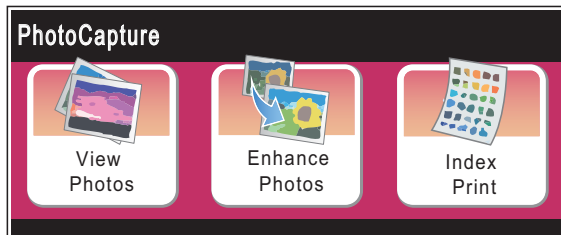
The machine can only read one device at a time.

Entering PhotoCapture mode

After you insert the memory card or USB Flash memory drive, press the

 (**Photo Capture**) key to illuminate it in blue and display the PhotoCapture options on the LCD.

The LCD shows:



- Press **View Photos** if you want to quickly view and print your photos. See *View Photos* on page 43.
- Press **Enhance Photos** if you want to add special effects to your photos. See *Enhance Photos* on page 44.
- Press **Index Print** if you want to print an Index page (Thumbnails). You can also print photos using the image numbers of the Index page (Thumbnails). See *Index Print (Thumbnails)* on page 45.





Note

If your digital camera supports DPOF printing, see *DPOF printing* on page 46.

Print Images


View Photos

You can preview your photos on the LCD before you print them. If your photos are large files there may be a delay before each photo is displayed on the LCD.

- 1 Make sure you have put a memory card or USB Flash memory drive in the correct slot.
Press  (**Photo Capture**).
- 2 Press **View Photos**.
Do one of the following:
 - If you want to choose photos to print or print more than one for an image, go to step 3.
 - If you want to print all photos, press .
Press **Yes** to confirm.
Go to step 6.



Note

- Press ◀ or ▶ to scroll through all photos. You can forward and rewind the thumbnails by holding these keys. The photo is not shown during this operation.
- Press  to start Slide Show.

- 3 Press and choose a photo from the thumbnail.
- 4 Enter the number of copies you want either by pressing the number or pressing + or -.
Press **OK**.
- 5 Repeat step 3 and 4 until you have chosen all the photos that you want to print.

- 6 After you have chosen all the photos, do one of the following:
- Press **OK** and change the print settings. Press **Print Setting**. (See page 47.)
 - If you do not want to change any settings, press **OK** and then **Colour Start** to print.

Enhance Photos

You can edit and add effects to your photos and view them on the LCD before printing.

Note

The Enhance Photos feature is supported by technology from Reallusion, Inc.



- 1 Make sure you have put a memory card or USB Flash memory drive in the correct slot.
Press (**Photo Capture**).

- 2 Press **Enhance Photos**.

Note

- Press **◀** or **▶** to scroll through all photos. You can forward and rewind the thumbnails by holding these keys. The photo is not shown during this operation.
- Press to start Slide Show.

- 3 Press and choose a photo from the thumbnails.
- 4 Press and choose **Enhance** or **Trim**. You can also choose both together. Press **OK**.
- 5 Do one of the following:
- If you chose **Enhance**, go to step 6.
 - If you chose **Trim**, go to step 7.

- 6 Press and choose the effect you wish to add.

Press **OK**.

Do one of the following:

- If you choose **Trim** in step 4, go to step 7.
- If you do not choose **Trim** in step 4, go to step 8.



Note

- You have 7 ways to add effects to your photo.

	(Auto Correct) The machine decides the suitable effect for your photo.
	(Enhance Skin) Best used for adjusting portrait photographs. It adjusts human skin colour. Press ◀ or ▶ to adjust the level of contrast.
	(Enhance Scenery) Best used for adjusting landscape photographs. It highlights green and blue areas in your photo. Press ◀ or ▶ to adjust the level of contrast.
	(Remove Red-Eye) The machine will attempt to remove red-eye from your photo. If red-eye detection fails, you can press the Try Again button to re-detect.
	(Monochrome) You can convert the colour of your photo to monochrome.
	(Sepia) Adds a sepia tone (shades of brown) effect to your photo.
	(Auto Correct Remove Red-Eye) The machine decides the suitable effects for your photo. Also, it will attempt to remove red-eye from your photo.

- There are some cases when red-eye may not be removed.
 - When the face is too small in the image.
 - When the face is turning too far up, down, left or right.
- After adding each effect, you can enlarge the view of the image by pressing . To go back to the original size, press .
- While the image is enlarged, you can move around the image with , , and . Press **Cancel** to return to the list of effects.

7 Adjust the red frame around your photo. The part inside of the red frame will be printed.

- Press **+** or **-** to enlarge or reduce the frame size.
- Press **▲**, **▼**, **◀** or **▶** to move the position of the frame.
- Press to rotate the frame.

Press **OK** when you have finished adjusting the frame setting.
Press **OK** to confirm.

Note

If your photo is very small or has irregular proportions you may not be able to trim the photo. The LCD will display **Image Too Small.** or **Image Too Long.**

8 Enter the number of copies you want either by pressing the number or pressing **+** or **-**.
Press **OK**.

9 Do one of the following.

- Press **Print Setting** and change the print settings. (See page 47.)
- If you do not want to change any settings, press **Colour Start** to print.

Index Print (Thumbnails)

The PhotoCapture Center™ assigns numbers for images (such as NO.1, NO.2, NO.3, and so on).



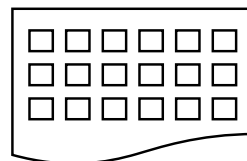
→ NO.1
DEL.JPG 01.01.2009
100KB

The PhotoCapture Center™ uses these numbers to identify each picture. You can print a thumbnail page to show all the pictures on the memory card or USB Flash memory drive.

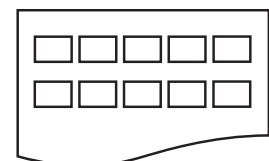
Note

Only file names that are 8 characters or less will be printed correctly on the index sheet.

- 1** Make sure you have put the memory card or USB Flash memory drive in the correct slot.
Press (**Photo Capture**).
- 2** Press **Index Print**.
- 3** Press **Index Sheet** and choose **6 Images/Line** or **5 Images/Line**.



6 Images/Line



5 Images/Line


Print time for 5 Images/Line will be slower than 6 Images/Line, but the quality is better.

- 4** Do one of the following:
 - Press **Print Setting** to change the paper type or the paper size you are using.
 - If you do not want to change the paper settings, go to **7**.

- 5 Press **Paper Type**.
Choose the paper type you are using, Plain Paper, Inkjet Paper, Brother BP71 or Other Glossy.
- 6 Press **Paper Size**.
Choose the paper size you are using, Letter or A4.
- 7 Press **Colour Start** to print.

Printing Photos

Before you can print an individual image, you have to know the image number.

- 1 Make sure you have put a memory card or USB Flash memory drive in the correct slot.
Press  (**Photo Capture**).
- 2 Print the Index. (See *Index Print (Thumbnails)* on page 45.)
- 3 Press **Index Print**.
- 4 Press **Print Photos**.
- 5 Enter the image number that you want to print from the thumbnails printed on the Index page.
After you have chosen the image numbers, press **OK**.



Note

You can enter up to 12 characters (including commas) for the image numbers you want to print.

- 6 Enter the number of copies you want by pressing + or -.
- 7 Do one of the following:
 - Press **Print Setting** to change the print settings. (See page 47.)
 - If you do not want to change any settings, press **Colour Start** to print.

DPOF printing

DPOF stands for Digital Print Order Format.

Major digital camera manufacturers (Canon Inc., Eastman Kodak Company, Fuji Photo Film Co. Ltd., Matsushita Electric Industrial Co. Ltd. and Sony Corporation) created this standard to make it easier to print images from a digital camera.

If your digital camera supports DPOF printing, you will be able to choose on the digital camera display the images and number of copies you want to print.

When a memory card containing DPOF information is put into your machine, you can print the chosen image easily.

- 1 Make sure you have put a memory card in the correct slot.
The machine will ask you if you want to use DPOF setting.
- 2 Press **Yes**.
- 3 Do one of the following:
 - Press **Print Setting** to change the print settings. (See page 47.)
 - If you do not want to change any settings, press **Colour Start** to print.



Note

An Invalid DPOF File error can occur if the print order that was created on the camera has been corrupted. Delete and recreate the print order using your camera to correct this problem.

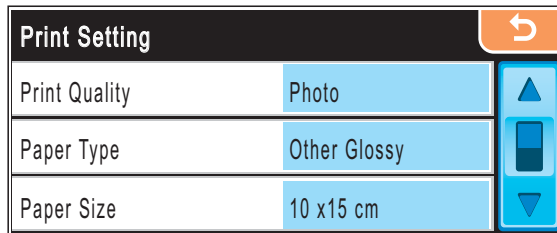
For instructions on how to delete or recreate the print order, refer to your camera manufacturer's support website or accompanying documentation.

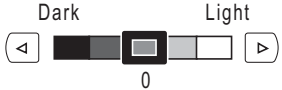
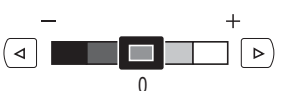


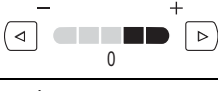
PhotoCapture Center™ print settings

You can change the print settings temporarily.

 **Note**


You can save the print settings you use most often by setting them as the default. (See *Setting your changes as a new default* on page 50.)



Menu Selections	Options 1	Options 2	Page
Print Quality (Not available for DPOF printing.)	Normal/Photo	—	48
Paper Type	Plain Paper/Inkjet Paper/ Brother BP71/Other Glossy	—	48
Paper Size	10x15cm/13x18cm/ A4/A3/Letter/Ledger	(When A4 or Letter is chosen) 8x10cm/ 9x13cm/ 10x15cm/13x18cm/ 15x20cm/Max. Size	48
Brightness (Not available when Enhance Photos is chosen.)	Dark Light 	—	49
Contrast (Not available when Enhance Photos is chosen.)	- + 	—	49
Color Enhance (Not available when Enhance Photos is chosen.)	On/Off White Balance - +  Sharpness - +  Color Density - + 	—	49
Cropping	On/Off	—	50


Menu Selections	Options 1	Options 2	Page
Borderless	On/Off	—	50
Date Print (Not available for DPOF printing)	On/Off	—	50
Set New Default	Yes No	—	50
Factory Reset	Yes No	—	51

Print Speed and Quality

- 1 Press ▲ or ▼ to display `Print Quality`.
- 2 Press `Print Quality`.
- 3 Press and choose `Normal` or `Photo`.
- 4 If you do not want to change additional settings, press . Press **Colour Start** to print.

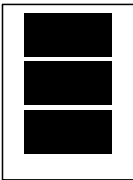
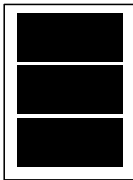
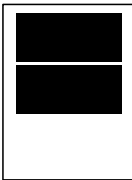
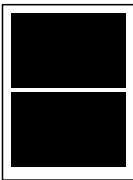
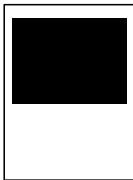

Paper options


Paper Type

- 1 Press ▲ or ▼ to display `Paper Type`.
- 2 Press `Paper Type`.
- 3 Press and choose the paper type you are using, `Plain Paper`, `Inkjet Paper`, `Brother BP71` or `Other Glossy`.
- 4 If you do not want to change additional settings, press . Press **Colour Start** to print.

Paper and print size


- 1 Press ▲ or ▼ to display `Paper Size`.
- 2 Press `Paper Size`.
- 3 Press and choose the paper size you are using, `10x15cm`, `13x18cm`, `A4`, `A3`, `Letter` or `Ledger`.
Do one of the following:
 - If you chose `Letter` or `A4`, go to step 4.
 - If you chose another size of paper, go to step 5.
- 4 Press and choose the `Print Size`.

Example: Printed Position for A4 paper		
1 8x10cm	2 9x13cm	3 10x15cm
		
4 13x18cm	5 15x20cm	6 Max. Size
		

- 5 If you do not want to change additional settings, press . Press **Colour Start** to print.


Adjusting Brightness, Contrast and Colour

Brightness

- 1 Press ▲ or ▼ to display *Brightness*.
- 2 Press *Brightness*.
- 3 Press ◀ or ▶ to make a darker or lighter print.
Press *OK*.
- 4 If you do not want to change additional settings, press .
Press **Colour Start** to print.

Contrast


You can choose the contrast setting. More contrast will make an image look sharper and more vivid.

- 1 Press ▲ or ▼ to display *Contrast*.
- 2 Press *Contrast*.
- 3 Press ◀ or ▶ to change the contrast.
Press *OK*.
- 4 If you do not want to change additional settings, press .
Press **Colour Start** to print.

Colour Enhancement

You can turn on the colour enhancement feature to print more vivid images. Printing time will be slower.

- 1 Press ▲ or ▼ to display *Color Enhance*.
- 2 Press *Color Enhance*.
- 3 Do one of the following:
 - If you want to customize the *White Balance*, *Sharpness* or *Colour Density*, press *On*, and then go to step 4.
 - If you do not want to customize, press *Off*.
Go to step 7.

- 4 Press and choose *White Balance*, *Sharpness* or *Color Density*.
- 5 Press ◀ or ▶ to adjust the degree of the setting.
Press *OK*.
- 6 Do one of the following:
 - If you want to customize another colour enhancement, repeat from step 1 to step 5.
 - If you want to change other settings, press print settings menu you want to change. (See page 47.)
- 7 If you do not want to change additional settings, press .
Press **Colour Start** to print.



Note

- **White Balance**

This setting adjusts the hue of the white areas of an image. Lighting, camera settings and other influences will affect the appearance of white. The white areas of a picture may be slightly pink, yellow or some other colour. By using this setting, you can correct that effect and bring the white areas back to pure white.

- **Sharpness**

This setting enhances the detail of an image, similar to adjusting the fine focus on a camera. If the image is not in true focus and you cannot see the fine details of the picture, then adjust the sharpness.


- **Colour Density**

This setting adjusts the total amount of colour in the image. You can increase or decrease the amount of colour in an image to improve a washed out or weak picture.

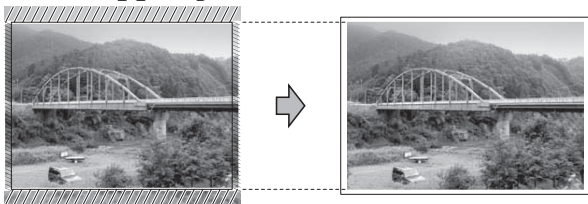
Cropping

If your photo is too long or wide to fit the available space on your chosen layout, part of the image will automatically be cropped.

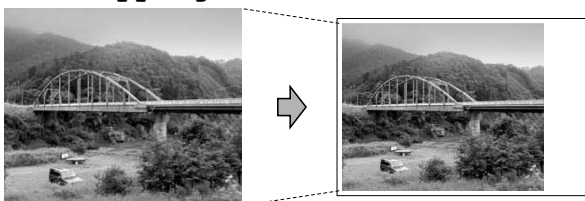
The factory setting is *On*. If you want to print the whole image, turn this setting to *Off*. If you are also using the *Borderless* setting, turn *Borderless* to *Off*. (See *Borderless printing* on page 50.)

- 1 Press ▲ or ▼ to display *Cropping*.
- 2 Press *Cropping*.
- 3 Press *Off* (or *On*).
- 4 If you do not want to change additional settings, press . Press **Colour Start** to print.

Cropping: On




Cropping: Off




Borderless printing

This feature expands the printable area to the edges of the paper. Printing time will be slightly slower.

- 1 Press ▲ or ▼ to display *Borderless*.
- 2 Press *Borderless*.
- 3 Press *On* (or *Off*).
- 4 If you do not want to change additional settings, press . Press **Colour Start** to print.

Date Print

You can print the date if it is already in the data on your photo. The date will be printed on the lower right corner. If the data doesn't have the date information, you cannot use this function.

- 1 Press ▲ or ▼ to display *Date Print*.
- 2 Press *Date Print*.
- 3 Press *On* (or *Off*).
- 4 If you do not want to change additional settings, press . Press **Colour Start** to print.



Note

The DPOF setting on your camera must be turned off to the *Date Print*.

Setting your changes as a new default

You can save the print settings you use most often by setting them as the default settings. These settings will stay until you change them again.

- 1 Press and choose your new setting. Repeat this step for each setting you want to change.
- 2 After changing the last setting, press ▲ or ▼ to display *Set New Default*.
- 3 Press *Set New Default*.
- 4 Press *Yes* to confirm.
- 5 Press **Stop/Exit**.

Restoring all settings to the factory settings

You can restore all the settings you have changed to the factory settings. These settings will stay until you change them again.

- 1 Press ▲ or ▼ to display `Factory Reset`.
- 2 Press `Factory Reset`.
- 3 Press `Yes` to confirm.
- 4 Press **Stop/Exit**.

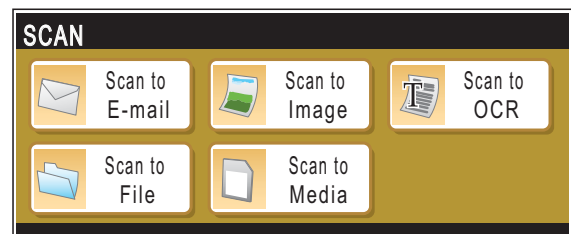
Scan to a memory card or USB Flash memory drive

Entering Scan mode

When you want to scan to a memory card or USB Flash memory drive, press

 (**Scan**).

The LCD shows:



Press `Scan to Media`.

If you are not connected to your computer only the `Scan to Media` selection is available on the LCD.

(See *Scanning* for Windows® or Macintosh® in the Software User's Guide on the CD-ROM for details about the other menu options.)

How to scan to a memory card or USB Flash memory drive


You can scan monochrome and colour documents into a memory card or USB Flash memory drive. Monochrome documents will be stored in PDF (*.PDF) or TIFF (*.TIF) file formats. Colour documents may be stored in PDF (*.PDF) or JPEG (*.JPG) file formats. The factory setting is Color 150 dpi and the default file format is PDF. The machine automatically creates file names based on the current date. (For details, see the Quick Setup Guide.) For example, the fifth image scanned on July 1, 2008 would be named 01070805.PDF. You can change the colour and quality.

Quality	Selectable File Format
Color 150 dpi	PDF / JPEG
Color 300 dpi	PDF / JPEG
Color 600 dpi	PDF / JPEG
B/W 200x100 dpi	TIFF / PDF
B/W 200 dpi	TIFF / PDF

- 1 Insert a CompactFlash®, Memory Stick®, Memory Stick Pro™, SD, SDHC, xD-Picture Card™ or USB Flash memory drive into your machine.

! CAUTION

DO NOT take out the memory card while **Photo Capture** is blinking to avoid damaging the card, USB Flash memory drive or data stored on the card.

- 2 Load your document.
- 3 Press  (**Scan**).
- 4 Press **Scan to Media**.

- 5 Do one of the following.

- To change the quality, press ◀ or ▶ to display **Quality**. Press **Quality** and choose Color 150 dpi, Color 300 dpi, Color 600 dpi, B/W 200x100 dpi or B/W 200 dpi.
- To change the file type, press ◀ or ▶ to display **File Type**. Press **File Type** and choose PDF, JPEG or TIFF.
- If you want to change the file name, press ◀ or ▶ to display **File Name**. Press **File Name** and enter the file name.
Press **OK**.

You can only change the first 6 characters.

- Press **Mono Start** or **Colour Start** to start scanning without changing additional settings.



Note



- If you chose colour in the resolution setting, you cannot choose **TIFF**.
- If you chose monochrome in the resolution setting, you cannot choose **JPEG**.
- If you are using the scanner glass of the machine you can change the glass scan size.

Press **Glass Scan Size** and choose A4, A3, Letter, Legal or Ledger.

- 6 Press **Mono Start** or **Colour Start**.


How to change the file name

You can change the file name.

- 1 Press  (**Scan**).
- 2 Press `Scan to Media`.
- 3 Press `◀` or `▶` to display `File Name`.
- 4 Press `File Name`.
Press  to delete characters. Then enter the new file name (up to 6 characters). (See *Entering Text* on page 111.)
- 5 Press `OK`.

How to set new default

You can set your own default setting.

- 1 Press  (**Scan**).
- 2 Press `Scan to Media`.
- 3 Press and choose your new setting. Repeat this step for each setting you want to change.
- 4 After changing the last setting, press `◀` or `▶` to display `Set New Default`. Press `Set New Default`.
- 5 Press `Yes` to confirm.
- 6 Press **Stop/Exit**.

How to reset to factory settings

You can reset the machine to factory settings.

- 1 Press  (**Scan**).
- 2 Press `Scan to Media`.
- 3 Press `◀` or `▶` to display `Factory Reset`.
- 4 Press `Factory Reset`.
- 5 Press `Yes` to confirm.
- 6 Press **Stop/Exit**.

Understanding the Error Messages

Once you are familiar with the types of errors that can occur while you are using PhotoCapture Center™, you can easily identify and troubleshoot any problems.

■ Hub is Unusable.

This message will appear if a Hub or USB Flash memory drive with a Hub has been put into the USB direct interface.

■ Media Error

This message will appear if you put in a memory card that is either bad or not formatted, or when there is a problem with the media drive. To clear this error, take out the memory card.

■ No File

This message will appear if you try to access a memory card or USB Flash memory drive in the drive (slot) that does not contain a .JPG file.

■ Out of Memory

This message will appear if you are working with images that are too large for the machine's memory. This message will also appear when a memory card or USB Flash memory drive you are using does not have enough space available for the scanned document.

■ Media is Full.

This message will appear if you are trying to save more than 999 files in a memory card or USB Flash memory drive.

■ Unusable Device

This message will appear if a USB device or USB Flash memory drive that is not supported has been connected to the USB direct interface. For more information, visit us at <http://solutions.brother.com>. This message will also appear if you connect a broken device to the USB direct interface.

Printing photos directly from a PictBridge camera



Your Brother machine supports the PictBridge standard, allowing you to connect to and print photos directly from any PictBridge compatible digital camera.

If your camera is using the USB Mass Storage standard, you can also print photos from a digital camera without PictBridge. See *Printing photos directly from a digital camera (without PictBridge)* on page 56.

PictBridge requirements

To avoid errors, remember the following points:

- The machine and the digital camera must be connected using a suitable USB cable.
- The image file extension must be .JPG (other image file extensions like .JPEG, .TIF, .GIF and so on will not be recognized).
- PhotoCapture Center™ operations are not available when using the PictBridge feature.

Setting your digital camera

Make sure your camera is in PictBridge mode. The following PictBridge settings may be available from the LCD of your PictBridge compatible camera.

Depending on your camera some of these settings may not be available.

Camera Menu Selections	Options
Paper Size	Ledger, A3, Letter, A4, 10x15cm, Printer Settings (Default setting) ²
Paper Type	Plain Paper, Glossy Paper, Inkjet Paper, Printer Settings (Default setting) ²
Layout	Borderless: On, Borderless: Off, Printer Settings (Default setting) ²
DPOF setting ¹	-
Print Quality	Normal, Fine, Printer Settings (Default setting) ²
Color Enhancement	On, Off, Printer Settings (Default setting) ²
Date Print	On, Off, Printer Settings (Default setting) ²

¹ See *DPOF printing* on page 55 for more details.

² If your camera is set to use the Printer Settings (Default setting), the machine will print your photo using the following settings.

Settings	Options
Paper Size	10x15cm
Paper Type	Glossy Paper
Layout	Borderless: On
Print Quality	Fine
Color Enhancement	Off
Date Print	Off

- When your camera does not have any menu selections, those settings are also used.
- The names and availability of each setting depends on the specification of your camera.

Please refer to the documentation supplied with your camera for more detailed information on changing PictBridge settings.

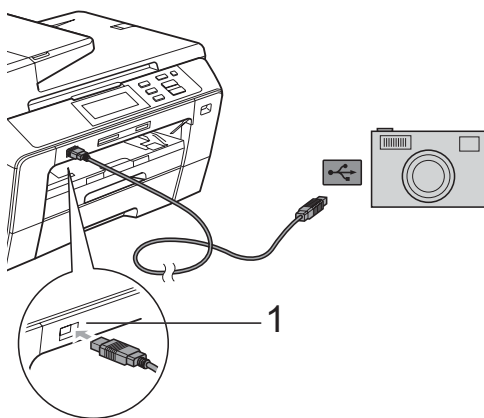
Printing Images



Note

Remove any memory cards or USB Flash memory drive from the machine before connecting a digital camera.

- 1 Make sure that your camera is turned off. Connect your camera to the USB direct interface (1) on the machine using the USB cable.



1 USB direct interface

- 2 Turn on the camera.
When the machine has recognized the camera, the LCD shows `Camera Connected`.
- 3 Choose the photo you want to print following the instructions from your camera.
When the machine starts printing a photo, the LCD will show `Printing`.

! CAUTION

To prevent damage to your machine, do not connect any device other than a digital camera or USB Flash memory drive to the USB direct interface.

DPOF printing

DPOF stands for Digital Print Order Format.

Major digital camera manufacturers (Canon Inc., Eastman Kodak Company, Fuji Photo Film Co. Ltd., Matsushita Electric Industrial Co. Ltd. and Sony Corporation) created this standard to make it easier to print images from a digital camera.

If your digital camera supports DPOF printing, you will be able to choose on the digital camera display the images and number of copies you want to print.



Note

An Invalid DPOF File error can occur if the print order that was created on the camera has been corrupted. Delete and recreate the print order using your camera to correct this problem. For instructions on how to delete or recreate the print order, refer to your camera manufacturer's support website or accompanying documentation.

Printing photos directly from a digital camera (without PictBridge)

If your camera supports the USB Mass Storage standard, you can connect your camera in storage mode. This enables you to print photos from your camera.

If you would like to print photos in PictBridge mode, see *Printing photos directly from a PictBridge camera* on page 54.

Note

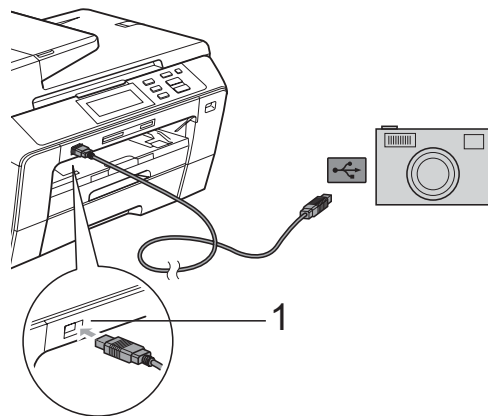
The name, availability and operation differ among digital cameras. Please refer to the documentation supplied with your camera for detailed information, such as how to switch from PictBridge mode to USB mass storage mode.

Printing Images

Note

Remove any memory cards or USB Flash memory drive from the machine before connecting a digital camera.

- 1 Make sure that your camera is turned off. Connect your camera to the USB direct interface (1) on the machine using the USB cable.



1 USB direct interface

- 2 Turn on the camera.
- 3 Follow the steps in *Print Images* on page 43.

CAUTION

To prevent damage to your machine, do not connect any device other than a digital camera or USB Flash memory drive to the USB direct interface.

Understanding the Error Messages

Once you are familiar with the types of errors that can occur while you are printing from a camera, you can easily identify and troubleshoot any problems.

■ Out of Memory

This message will appear if you are working with images that are too large for the machine's memory.

■ Unusable Device

This message will appear if you connect a camera that is not using the USB Mass Storage standard. This message will also appear if you connect a broken device to the USB direct interface.

For more detailed solutions see *Error and Maintenance messages* on page 78.



Software

Software and Network features

60

7

Software and Network features

The CD-ROM includes the Software User's Guide and Network User's Guide for features available when connected to a computer (for example, printing and scanning). These guides have easy to use links that, when clicked, will take you directly to a particular section.

You can find information on these features:

- Printing
- Scanning
- ControlCenter3 (for Windows®)
- ControlCenter2 (for Macintosh®)
- Remote Setup
- PhotoCapture Center™
- Network Printing
- Network Scanning
- Wired and Wireless Network

How to read HTML User's Guide

This is a quick reference for using the HTML User's Guide.

For Windows®



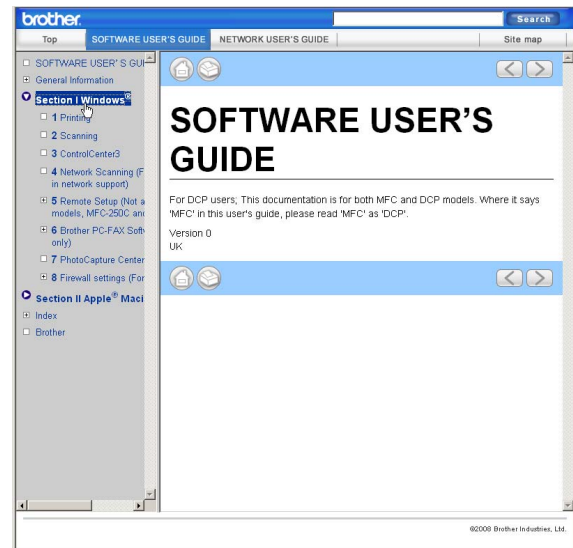
Note

If you have not installed the software, see *Viewing Documentation* on page 3.

- 1 From the **Start** menu, point to **Brother**, **DCP-XXXX** (where XXXX is your model number) from the programs group, then click **User's Guides in HTML format**.
- 2 Click **SOFTWARE USER'S GUIDE** (or **NETWORK USER'S GUIDE**) from the top menu.

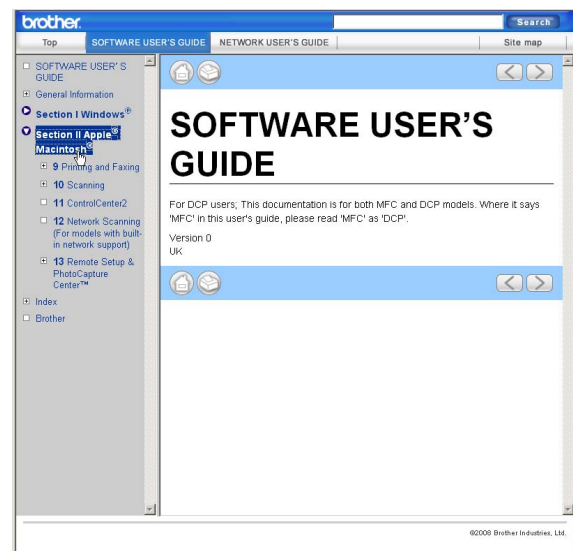


- 3 Click the heading you would like to view from the list at the left of the window.



For Macintosh®

- 1 Make sure your Macintosh® is turned on. Insert the Brother CD-ROM into your CD-ROM drive.
- 2 Double-click the **Documentation** icon.
- 3 Double-click your language folder, and then double-click top.html.
- 4 Click **SOFTWARE USER'S GUIDE** (or **NETWORK USER'S GUIDE**) in the top menu, and then click the heading you would like to read from the list at the left of the window.





Appendixes

Safety and Legal	62
Troubleshooting and Routine Maintenance	73
Menu and Features	96
Specifications	112
Glossary	125

A

Safety and Legal

Choosing a location

Put your machine on a flat, stable surface that is free of vibration and shocks, such as a desk. Put the machine near a standard grounded electrical socket. Choose a location where the temperature remains between 10° C and 35° C.



WARNING

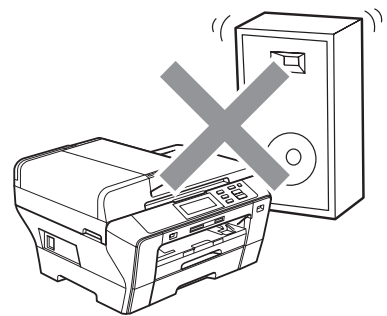
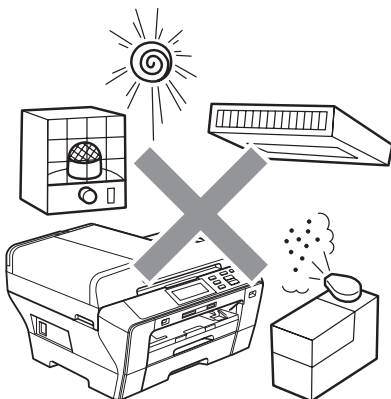
DO NOT put the machine near heaters, air conditioners, refrigerators, medical equipment, chemicals or water.

DO NOT connect your machine to electrical sockets on the same circuit as large appliances or other equipment that might disrupt the power supply.



CAUTION

- Avoid placing your machine in a high-traffic area.
- Avoid placing your machine on a carpet.
- DO NOT expose the machine to direct sunlight, excessive heat, moisture, or dust.
- DO NOT connect your machine to electrical sockets controlled by wall switches or automatic timers.
- Disruption of power can wipe out information in the machine's memory.
- DO NOT tip the machine, or place it on any tilted surface. Doing this may cause ink spillage and internal damage to your machine.



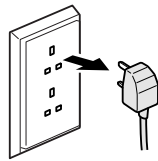
To use the machine safely

Please keep these instructions for later reference and read them before attempting any maintenance.

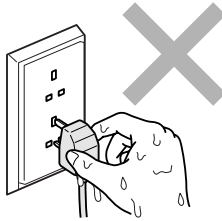
WARNING



There are high voltage electrodes inside the machine. Before you clean the inside of the machine, make sure you have unplugged the power cord from the electrical socket. Doing this will prevent an electrical shock.



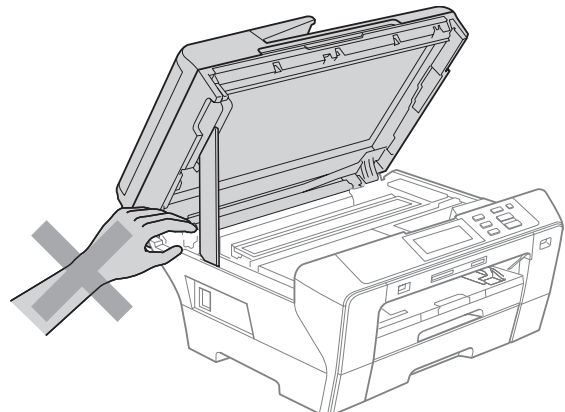
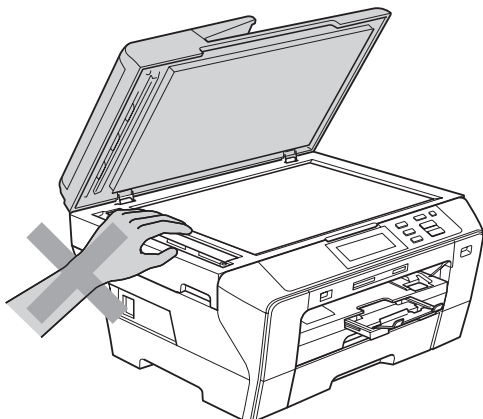
DO NOT handle the plug with wet hands. Doing this might cause an electrical shock.



DO NOT pull on the middle of the AC power cord. Doing this might cause an electrical shock.

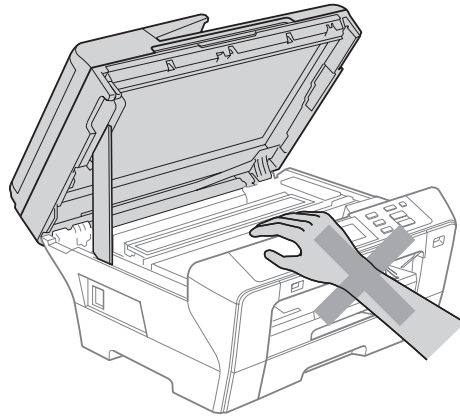


DO NOT put your hands on the edge of the machine under the document cover or the scanner cover. Doing this may cause injury.

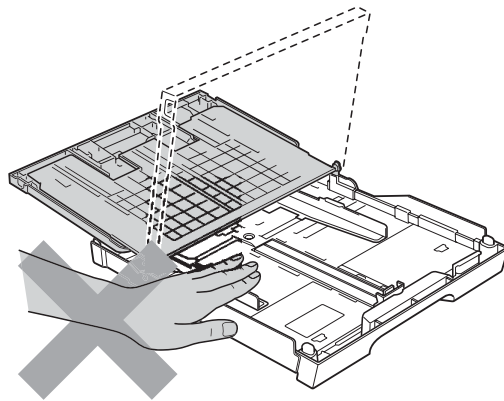




DO NOT put your hands in front of the machine under the scanner cover. Doing this may cause injury.

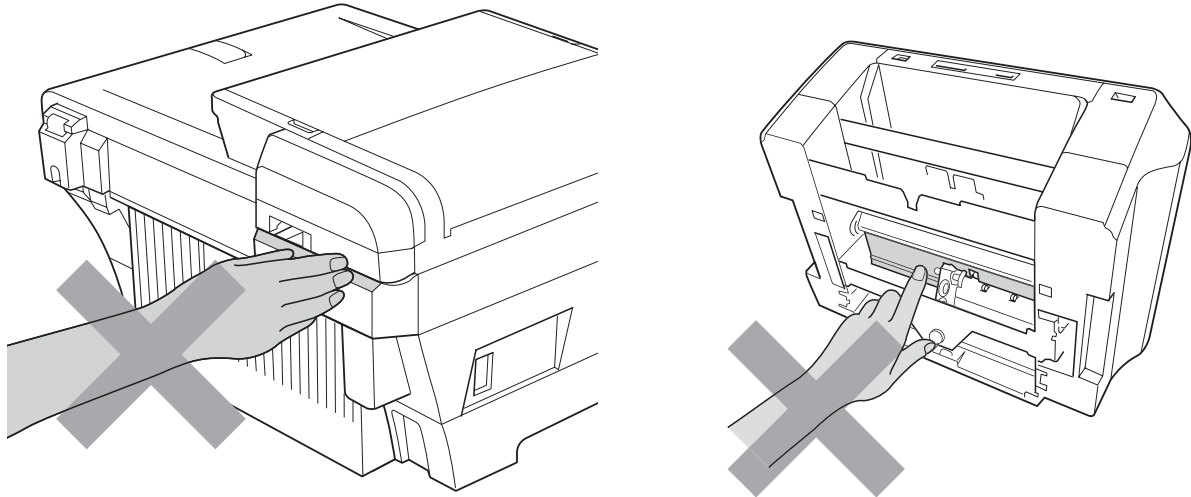


DO NOT put your hands on the edge of the paper tray under the paper tray cover. Doing this may cause injury.

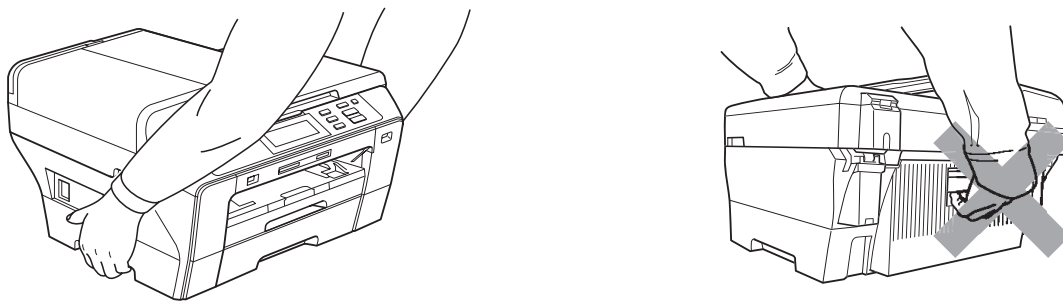




DO NOT touch the area shaded in the illustration. Doing this may cause injury.



When moving the machine you must lift it from the base, by placing a hand at each side of the unit as shown in the illustration. DO NOT carry the machine by holding the scanner cover or the Outer Rear Cover.



DO NOT use flammable substances, any type of spray, liquid or aerosol cleaners to clean the inside or outside of the machine. Doing this may cause a fire or electrical shock.





If the machine becomes hot, releases smoke, or generates any strong smells, immediately unplug the machine from the electrical socket. Call your Brother dealer or Brother Customer Service.



If metal objects, water or other liquids get inside the machine, immediately unplug the machine from the electrical socket. Call your Brother dealer or Brother Customer Service.



This product must be installed near an electrical socket that is easily accessible. In case of an emergency, you must unplug the power cord from the electrical socket to shut off the power completely.



This product should be connected to an AC power source within the range indicated on the rating label. DO NOT connect it to a DC power source or inverter. If you are not sure, contact a qualified electrician.



Always make sure the plug is fully inserted.

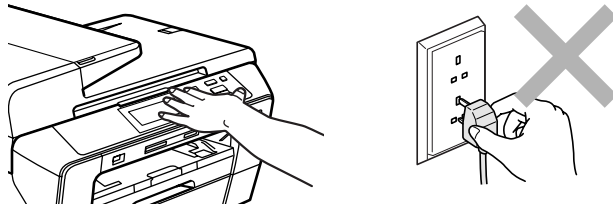


DO NOT use the machine if the power cord is frayed or damaged, doing so may cause a fire.

! CAUTION

Lightning and power surges can damage this product! We recommend that you use a quality surge protection device on the AC power line or unplug the cords during a lightning storm.

DO NOT touch the Touchscreen immediately after plugging in the power cord or turning the machine on. Doing this may cause an error.



Important safety instructions

- 1 Read all of these instructions.
- 2 Save them for later reference.
- 3 Follow all warnings and instructions marked on the product.
- 4 DO NOT use this product near water.
- 5 DO NOT place this product on an unstable cart, stand, or table. The product may fall, causing serious damage to the product.
- 6 Slots and openings in the cabinet and the back or bottom are provided for ventilation. To ensure reliable operation of the product and to protect it from overheating, these openings must not be blocked or covered. The openings should never be blocked by placing the product on a bed, sofa, rug, or other similar surface. This product should never be placed near or over a radiator or heater. This product should never be placed in a built-in installation unless adequate ventilation is provided.
- 7 Use only the power cord supplied with this machine.
- 8 This product is equipped with a 3-wire grounded plug, a plug having a third (grounded) pin. This plug will only fit into a grounded power outlet. This is a safety feature. If you are unable to insert the plug into the outlet, call your electrician to replace your obsolete outlet. DO NOT defeat the purpose of the grounded plug.
- 9 DO NOT allow anything to rest on the power cord. DO NOT place this product where people can walk on the cord.
- 10 DO NOT place anything in front of the machine that will block printing. DO NOT place anything in the path of printing.
- 11 Wait until pages have exited the machine before picking them up.
- 12 Unplug this product from the power socket and refer all servicing to Brother Authorized Service Personnel under the following conditions:
 - If liquid has been spilled into the product.
 - If the product has been exposed to rain or water.
 - If the product does not operate normally when the operating instructions are followed, adjust only those controls that are covered by the operating instructions. Incorrect adjustment of other controls may result in damage and will often require extensive work by a qualified technician to restore the product to normal operation.
 - If the product has been dropped or the casing has been damaged.
 - If the product exhibits a distinct change in performance, indicating a need for service.
- 13 To protect your product against power surges, we recommend the use of a power protection device (Surge Protector).
- 14 To reduce the risk of fire, electric shock and injury to people, note the following:
 - DO NOT use this product near appliances that use water, a swimming pool, or in a wet basement.
 - DO NOT attempt to operate the machine during an electrical storm or gas leak.

IMPORTANT - For your safety

To ensure safe operation, the supplied three-pin plug must be inserted only into a standard three-pin electrical socket that is effectively grounded through the normal household wiring.

The fact that the equipment operates satisfactorily does not imply that the power is grounded and that the installation is completely safe. For your safety, if in any doubt about the effective grounding of the power, consult a qualified electrician.

Important - Wiring information (U.K. only)

If you need to replace the plug fuse, fit a fuse that is approved by ASTA to BS1362 with the same rating as the original fuse.

Always replace the fuse cover. Never use a plug that does not have a cover.

Warning - This machine must be earthed.

The wires in the mains lead are coloured in line with the following code:

- **Green and Yellow: Earth**
- **Blue: Neutral**
- **Brown: Live**

If in any doubt, call a qualified electrician.

LAN connection

CAUTION

DO NOT connect this product to a LAN connection that is subject to over-voltages.

Radio interference

This product complies with EN55022 (CISPR Publication 22) /Class B. When connecting the machine to a computer, ensure that you use a USB cable which does not exceed 2.0 m in length.

EU Directive 2002/96/EC and EN50419



European
Union Only

This equipment is marked with the above recycling symbol. It means that at the end of the life of the equipment you must dispose of it separately at an appropriate collection point and not place it in the normal domestic unsorted waste stream. This will benefit the environment for all.
(European Union only)

International ENERGY STAR® Compliance Statement

The purpose of the International ENERGY STAR® Program is to promote the development and popularization of energy-efficient office equipment.

As an ENERGY STAR® Partner, Brother Industries, Ltd. has determined that this product meets the ENERGY STAR® guidelines for energy efficiency.



Legal limitations for copying

It is an offence to make reproductions of certain items or documents with the intent to commit fraud. This memorandum is intended to be a guide rather than a complete list. We suggest you check with relevant legal authorities if in doubt about a particular item or document.

The following are examples of documents which may not be copied:

- Money
- Bonds or other certificates of indebtedness
- Certificates of Deposit
- Armed Forces Service or Draft papers.
- Passports
- Postage Stamps (cancelled or uncanceled)
- Immigration Papers
- Welfare documents
- Cheques or Drafts drawn by Governmental Agencies
- Identification Documents, badges or insignias
- Licences and Certificates of Title to motor vehicles

Copyrighted works cannot be copied. Sections of a copyrighted work can be copied for 'fair dealing'. Multiple copies would indicate improper use.

Works of art should be considered the equivalent of copyrighted works.

Licenses and Certificates of Title to motor vehicles may not be copied under certain state/provincial laws.

Trademarks

The Brother logo is a registered trademark of Brother Industries, Ltd.

Brother is a registered trademark of Brother Industries, Ltd.

Multi-Function Link is a registered trademark of Brother International Corporation.

© 2008 Brother Industries, Ltd. All rights reserved.

Windows Vista is either a registered trademark or a trademark of Microsoft Corporation in the United States and other countries.

Microsoft, Windows and Windows Server are registered trademarks of Microsoft Corporation in the United States and/or other countries.

Macintosh and TrueType are registered trademarks of Apple Inc.

Nuance, the Nuance logo, PaperPort and ScanSoft are trademarks or registered trademarks of Nuance Communications, Inc. or its affiliates in the United States and/or other countries.

Presto! PageManager is a registered trademark of NewSoft Technology Corporation.

Microdrive is a trademark of International Business Machines Corporation.

CompactFlash is a registered trademark of SanDisk Corporation.

Memory Stick is a registered trademark of Sony Corporation.

SanDisk is a licensee of the SD and miniSD trademarks.

xD-Picture Card is a trademark of Fujifilm Co. Ltd., Toshiba Corporation and Olympus Optical Co. Ltd.

PictBridge is a trademark.

Memory Stick Pro, Memory Stick Pro Duo, Memory Stick Duo and MagicGate are trademarks of Sony Corporation.

BROADCOM, SecureEasySetup and the SecureEasySetup logo are trademarks or registered trademarks of Broadcom Corporation in the United States and/or other countries.

AOSS is a trademark of Buffalo Inc.

Wi-Fi, WPA and WPA2 are registered trademarks and Wi-Fi Protected Setup is a trademark of Wi-Fi Alliance.

FaceFilter Studio is a trademark of Reallusion, Inc.

Each company whose software title is mentioned in this manual has a Software License Agreement specific to its proprietary programs.

All other brand and product names mentioned in this User's Guide is registered trademarks of their respective companies.

B

Troubleshooting and Routine Maintenance

Troubleshooting

If you think there is a problem with your machine, check the chart below and follow the troubleshooting tips.

Most problems can be easily resolved by yourself. If you need additional help, the Brother Solutions Center offers the latest FAQs and troubleshooting tips.

Visit us at <http://solutions.brother.com>.

If you are having difficulty with your machine

Printing

Difficulty	Suggestions
No printout	Check the interface cable on both the machine and your computer. (See the <i>Quick Setup Guide</i> .)
	Make sure the machine is plugged in and not in Power Save mode.
	Check to see if the LCD is showing an error message. (See <i>Error and Maintenance messages</i> on page 78.)
	If the LCD says <i>Cannot Print and Replace Ink</i> , see <i>Replacing the ink cartridges</i> on page 85.
	Check that the correct printer driver has been installed and chosen.
	Make sure that the machine is online. Click Start and then Printers and Faxes . Choose Brother DCP-XXXX (where XXXX is your model name), and make sure that Use Printer Offline is unchecked.
	When you choose the Print Odd Pages and Print Even Pages settings, you may see a print error message on your computer, as the machine pauses during the printing process. The error message will disappear after the machine re-starts printing.
Poor print quality	Use only Genuine Brother Consumables as ink from other manufactures can cause print quality problems.
	Check the print quality. (See <i>Checking the print quality</i> on page 91.)
	Make sure that the Media Type setting in the printer driver or the Paper Type setting in the machine's menu matches the type of paper you are using. (See <i>Printing for Windows</i> [®] or <i>Printing and Faxing for Macintosh</i> [®] in the Software User's Guide on the CD-ROM and <i>Paper Size and Type</i> on page 25.)
	Make sure that your ink cartridges are fresh. The following may cause ink to clog: <ul style="list-style-type: none"> ■ The expiration date written on the cartridge package has passed. (Brother Original cartridges stay usable for up to two years if kept in their original packaging.) ■ The ink cartridge was in your machine over six months. ■ The ink cartridge may not have been stored correctly before use.
	Try using the recommended types of paper. (See <i>Acceptable paper and other print media</i> on page 18.)
	The recommended environment for your machine is between 20° C to 33° C.


Printing (continued)

Difficulty	Suggestions
White horizontal lines appear in text or graphics.	Clean the print head. (See <i>Cleaning the print head</i> on page 90.)
	Make sure you are using Brother Original Innobella™ ink.
	Try using the recommendation types of paper. (See <i>Acceptable paper and other print media</i> on page 18.)
	If you are using A3 long grain paper, you may get horizontal lines appearing on your prints. Try turning off A3 Secure Feed. (See <i>Secure Paper Feed mode for A3 size Short Grain Paper</i> on page 25.) If you are printing from a computer, change the paper size to A3 (Long Grain) in the driver. (See <i>Printing for Windows®</i> or <i>Printing and Faxing for Macintosh®</i> in the Software User's Guide on the CD-ROM.)
The machine prints blank pages.	Clean the print head. (See <i>Cleaning the print head</i> on page 90.)
	Make sure you are using Brother Original Innobella™ ink.
Characters and lines are stacked.	Check the printing alignment. (See <i>Checking the print alignment</i> on page 92.)
Printed text or images are skewed.	Make sure the paper is loaded correctly in the paper tray and the paper side guides are adjusted correctly. (See <i>Loading paper and other print media</i> on page 9.)
	Make sure the Outer Rear Cover and Inner Rear Cover are closed correctly.
Smudged stain at the top centre of the printed page.	Make sure the paper is not too thick or curled. (See <i>Acceptable paper and other print media</i> on page 18.)
Smudged stain at the right or left corner of the printed page.	Make sure the paper is not curled when you print on the back side of the paper with the Print Odd Pages and Print Even Pages settings.
Printing appears dirty or ink seems to run.	Make sure you are using the recommended types of paper. (See <i>Acceptable paper and other print media</i> on page 18.) Don't handle the paper until the ink is dry.
	If you are using photo paper, make sure that you have set the correct paper type. If you are printing a photo from your PC, set the Media Type in the Basic tab of the printer driver.
	Make sure you are using Brother Original Innobella™ ink.
Stains appear on the reverse side or at the bottom of the page.	Make sure the printer platen is not dirty with ink. (See <i>Cleaning the machine printer platen</i> on page 89.)
	Make sure you are using Brother Original Innobella™ ink.
	Make sure you are using the paper support flap. (See <i>Loading paper and other print media</i> on page 9.)
The machine prints dense lines on the page.	Check Reverse Order in the Basic tab of the printer driver.
The printouts are wrinkled.	In the printer driver Advanced tab, click Colour Settings , and uncheck Bi-Directional Printing for Windows® or Bi-Directional Printing for Macintosh®.
	Make sure you are using Brother Original Innobella™ ink.
Cannot perform 'Page Layout' printing.	Check that the paper size setting in the application and in the printer driver are the same.

Printing (continued)

Difficulty	Suggestions
Print speed is too slow.	Try changing the printer driver setting. The highest resolution needs longer data processing, sending and printing time. Try the other quality settings in the printer driver Advanced tab. Also, click Colour Settings , and make sure you uncheck Colour Enhancement .
	Turn the borderless feature off. Borderless printing is slower than normal printing. (See <i>Printing for Windows</i> [®] or <i>Printing and Faxing for Macintosh</i> [®] in the Software User's Guide on the CD-ROM.)
Colour Enhancement is not working correctly.	If the image data is not full colour in your application (such as 256 colour), Colour Enhancement will not work. Use at least 24 bit colour data with the Colour Enhancement feature.
Photo paper does not feed properly.	When you print on Brother photo paper, make sure you always load one additional sheet of photo paper first before loading the paper you want to print on.
	Clean the paper pick-up roller. (See <i>Cleaning the paper pick-up roller</i> on page 90.)
Machine feeds multiple pages.	Make sure the paper is loaded correctly in the paper tray. (See <i>Loading paper and other print media</i> on page 9.)
	Check that more than two types of paper are not loaded in the paper tray at any one time.
Printed pages are not stacked neatly.	Make sure you are using the paper support flap. (See <i>Loading paper and other print media</i> on page 9.)
Machine does not print from Adobe Illustrator.	Try to reduce the print resolution. (See <i>Printing for Windows</i> [®] or <i>Printing and Faxing for Macintosh</i> [®] in the Software User's Guide on the CD-ROM.)

Copying Difficulties

Difficulty	Suggestions
Cannot make a copy.	Make sure that the Copy  key is illuminated. (See <i>Entering Copy mode</i> on page 30.)
Poor copy results when using the ADF.	Try using the scanner glass. (See <i>Using the scanner glass</i> on page 23.)
Vertical black lines or streaks appear in copies.	Vertical black lines or streaks on copies are typically caused by dirt or correction fluid on the glass strip. Clean the glass strip. (See <i>Cleaning the scanner glass</i> on page 89.)
Fit to Page does not work properly.	Make sure your source document is not skewed. Reposition the document and try again.

Scanning Difficulties

Difficulty	Suggestions
TWAIN/WIA errors appear when starting to scan.	Make sure the Brother TWAIN/WIA driver is chosen as the primary source. In PaperPort™ 11SE with OCR, click File , Scan or Get Photo and click Select to choose the Brother TWAIN/WIA driver.
Poor scanning results when using the ADF.	Try using the scanner glass. (See <i>Using the scanner glass</i> on page 23.)
OCR does not work.	Try increasing the scanner resolution.

Software Difficulties

Difficulty	Suggestions
Cannot install software or print.	Run the Repair MFL-Pro Suite program on the CD-ROM. This program will repair and reinstall the software.
'Device Busy'	Make sure the machine is not showing an error message on the LCD.
Cannot print images from FaceFilter Studio.	To use FaceFilter Studio, you must install the FaceFilter Studio application from the CD-ROM supplied with your machine. To install FaceFilter Studio see the <i>Quick Setup Guide</i> . Also, before you start FaceFilter Studio for the first time, you must make sure your Brother machine is turned On, and connected to your computer. This will allow you to access all the functions of FaceFilter Studio.

PhotoCapture Center™ Difficulties

Difficulty	Suggestions
Removable Disk does not work correctly.	<ol style="list-style-type: none"> 1 Have you installed the Windows® 2000 update? If not, do the following: <ol style="list-style-type: none"> 1) Unplug the USB cable. 2) Install the Windows® 2000 update using one of the following methods. <ul style="list-style-type: none"> ■ Install MFL-Pro Suite from the CD-ROM. (See the <i>Quick Setup Guide</i>.) ■ Download the latest service pack from the Microsoft Web site. 3) Wait about 1 minute after you restart the PC, and then connect the USB cable. 2 Take out the memory card or USB Flash memory drive and put it back in again. 3 If you have tried 'Eject' from within Windows®, take out the memory card or USB Flash memory drive before you continue. 4 If an error message appears when you try to eject the memory card or USB Flash memory drive, it means the card is being accessed. Wait a while and then try again. 5 If all of the above do not work, turn off your PC and machine, and then turn them on again. (You will have to unplug the power cord of the machine to turn it off.)
Cannot access Removable Disk from Desktop icon.	Make sure that you have correctly inserted the memory card or USB Flash memory drive.
Part of my photo is missing when printed.	Make sure that Borderless Printing and Cropping are turned off. (See <i>Borderless printing</i> on page 50 and <i>Cropping</i> on page 50.)

Network Difficulties

Difficulty	Suggestions
<p>Cannot print over the Network.</p>	<p>Make sure that your machine is powered on, is online, and in Ready mode. Print a Network Configuration list (see <i>Printing Reports</i> on page 28) and check the current Network settings printed in this list. Reconnect the LAN cable to the hub to verify that the cabling and network connections are good. If possible, try connecting the machine to a different port on your hub using a different cable. If the connections are good, the machine shows <i>LAN Active</i> for 2 seconds.</p> <p>(If you are having Network problems, see the Network User's Guide for more information.)</p>
<p>The network scanning feature does not work.</p>	<p>(For Windows® users only) Firewall settings on your PC may be rejecting the necessary network connection. Follow the instructions below to configure the Firewall. If you are using personal Firewall software, see the User's Guide for your software or contact the software manufacturer.</p> <p>For Windows® XP SP2 and Windows Vista® users, see <i>Firewall settings</i> in the Software User's Guide on the CD-ROM.</p> <p>For Windows® XP SP1 users, please visit the Brother Solutions Center (http://solutions.brother.com).</p>
<p>Your computer cannot find your machine.</p>	<p><Windows® users></p> <p>Firewall settings on you PC may be rejecting the necessary network connection. For detail, see the instruction above.</p> <p><Macintosh® users></p> <p>Re-select your machine in the Device Selector application located in Macintosh HD/Library/Printers/Brother/Utilities/DeviceSelector or from the model list in ControlCenter2.</p>



Error and Maintenance messages

As with any sophisticated office product, errors may occur. If this happens, your machine identifies the error and shows an error message. The most common error and maintenance messages are shown below.

You can correct most errors and routine maintenance by yourself. If you need more help, the Brother Solutions Center offers the latest FAQs and troubleshooting tips.

Visit us at <http://solutions.brother.com>.

Error Message	Cause	Action
B&W Print Only	<p>One or more of the colour ink cartridges is empty. While this message appears on the LCD, each operation works in the following way:</p> <ul style="list-style-type: none"> ■ Printing If you click Greyscale in the Advanced tab of the printer driver you can use the machine as a monochrome printer for approximately four weeks depending on the number of pages you print. ■ Copying If the paper type is set to Plain Paper or Inkjet Paper you can make copies in monochrome. <p>If the paper type is set to Other Glossy or Brother BP71, the machine will stop all print operations. If you unplug the machine, or take out the empty ink cartridge, you cannot use the machine until you change to a new ink cartridge.</p>	Replace the empty ink cartridges. (See <i>Replacing the ink cartridges</i> on page 85.)
Cannot Detect	You installed a new ink cartridge too quickly and the machine did not detect it.	Take out the new ink cartridge and re-install it slowly until it clicks.
	If you are using non Brother Original ink the machine may not detect the ink cartridge.	Replace the cartridge with a Brother Original ink cartridge. If the error message remains, contact your Brother dealer.
	An ink cartridge is not installed properly.	Take out the new ink cartridge and re-install it slowly until it clicks. (See <i>Replacing the ink cartridges</i> on page 85.)



Error Message	Cause	Action
Cannot Print	One or more of the ink cartridges are empty. The machine will stop all print operations.	Replace the empty ink cartridges. (See <i>Replacing the ink cartridges</i> on page 85.)
Cover is Open.	The scanner cover is not closed completely.	Lift the scanner cover and then close it again.
	The ink cartridge cover is not completely closed.	Firmly close the ink cartridge cover until it clicks.
Data Remaining	Print data is left in the machine's memory.	Press Stop/Exit . The machine will cancel the job and clear it from the memory. Try to print again.
Document Jam	The document was not inserted or fed correctly, or the document scanned from the ADF was too long.	See <i>Using the ADF</i> on page 22. See <i>Document jam</i> on page 82.
High Temperature	The print head is too warm.	Allow the machine to cool down.
Hub is Unusable.	A Hub or USB Flash memory drive with Hub has been connected to the USB direct interface.	A Hub or USB Flash memory drive with Hub are not supported. Unplug the device from the USB direct interface.
Image Too Long.	The proportions of your photo are irregular so effects could not be added.	Choose a regularly proportioned image.
Image Too Small.	The size of your photo is too small to trim.	Choose a larger image.
Ink low	One or more of the ink cartridges are running out of ink.	Order a new ink cartridge.
Low Temperature	The print head is too cold.	Allow the machine to warm up.
Media Error	The memory card is either corrupted, incorrectly formatted, or there is a problem with the memory card.	Put the card firmly into the slot again to make sure it is in the correct position. If the error remains, check the media drive (slot) of the machine by putting in another memory card that you know is working.
Media is Full.	The memory card or USB flash memory drive you are using already contains 999 files.	Your machine can only save to your memory card or USB flash memory drive if it contains less than 999 files. Try deleting unused files to free some space and try again.
No Cartridge	An ink cartridge is not installed correctly.	Take out the new ink cartridge and re-install it slowly until it clicks. (See <i>Replacing the ink cartridges</i> on page 85.)
No File	The memory card or USB Flash memory drive in the media drive does not contain a .JPG file.	Put the correct memory card or USB Flash memory drive into the slot again.

Error Message	Cause	Action
No Paper Fed	The machine is out of paper or paper is not properly loaded in the paper tray.	Do one of the following: <ul style="list-style-type: none"> ■ Refill the paper in the paper tray, and then press Mono Start or Colour Start. ■ Remove the paper and load it again and then press Mono Start or Colour Start.
	The paper is jammed in the machine.	See <i>Printer jam or paper jam</i> on page 82.
	The outer rear cover or the inner rear cover may not be closed properly.	Open the outer rear cover and inner rear cover, and then close them securely.
Out of Memory	The machine's memory is full.	When copy operation is in progress, press Stop/Exit and wait until the other operations in progress finish and then try again.
	The memory card or USB flash memory drive you are using does not have enough free space to scan the documents.	Delete unused files from your memory card or USB Flash memory drive to make some free space and then try again.
Paper Jam	Paper is jammed in the machine.	Open the Outer Rear Cover and Inner Rear Cover (at the back of the machine) and remove the jammed paper. (See <i>Printer jam or paper jam</i> on page 82.)
		See <i>Printer jam or paper jam</i> on page 82. Make sure the paper length guide is adjusted to the correct paper size. Do not extend the paper tray when you load A5 or smaller size paper.
Touchscreen initialization failed	The Touchscreen has been pressed before the power on initialisation has completed.	Unplug the machine from the power or turn the machine off. Make sure that there is nothing resting on or touching the Touchscreen. Plug the machine back into the power or switch the machine on. Wait until the menu button appears before attempting to use the Touchscreen.
Unable to Clean XX	The machine has a mechanical problem. —OR— A foreign object such as a clip or ripped paper is in the machine.	Open the scanner cover and remove any foreign objects inside the machine. If the error message continues, disconnect the machine from the power for several minutes, then reconnect it.
Unable to Init. XX	The machine has a mechanical problem. —OR— A foreign object such as a clip or ripped paper is in the machine.	Open the scanner cover and remove any foreign objects inside the machine. If the error message continues, disconnect the machine from the power for several minutes, then reconnect it.



Error Message	Cause	Action
Unable to Print XX	The machine has a mechanical problem. —OR— A foreign object such as a clip or ripped paper is in the machine.	Open the scanner cover and remove any foreign objects inside the machine. If the error message continues, disconnect the machine from the power for several minutes, then reconnect it.
Unable to Scan XX	The machine has a mechanical problem. —OR— A foreign object such as a clip or ripped paper is in the machine.	Open the scanner cover and remove any foreign objects inside the machine. If the error message continues, disconnect the machine from the power for several minutes, then reconnect it.
Unusable Device Disconnect device from front connector & turn machine off & then on	A broken device has been connected to the USB direct interface.	Unplug the device from the USB direct interface, then press On/Off to turn the machine off and then on again.
Unusable Device Please Disconnect USB Device.	A USB device or USB Flash memory drive that is not supported has been connected to the USB direct interface. (For more information, visit us at http://solutions.brother.com .)	Unplug the device from the USB direct interface.
Wrong Paper Size	Paper is not the correct size.	Make sure the machine's Paper Size setting matches the size of paper in the tray. (See <i>Paper Size and Type</i> on page 25.)

B

Error animations Display

Error animations display step-by-step instructions when paper gets jammed. You can read the steps at your own pace by pressing  to see the next step and  to go back. If you do not press a key after 1 minute the animation starts running automatically again.

Note

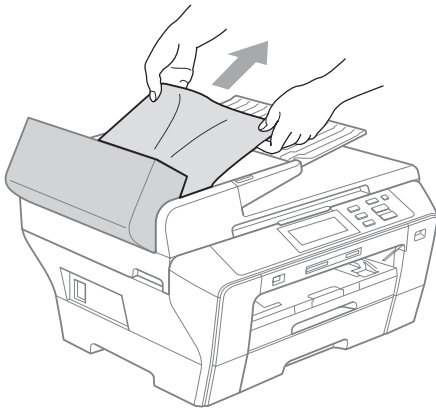
You can press  or  to pause the auto-animation and go back to step-by-step mode.

Document jam

Documents can jam in the ADF unit if they are not inserted or fed properly, or if they are too long. Follow the steps below to clear a document jam.

Document is jammed in the top of the ADF unit

- 1 Take out any paper from the ADF that is not jammed.
- 2 Open the ADF cover.
- 3 Pull the jammed document out to the right.



- 4 Close the ADF cover.
- 5 Press **Stop/Exit**.



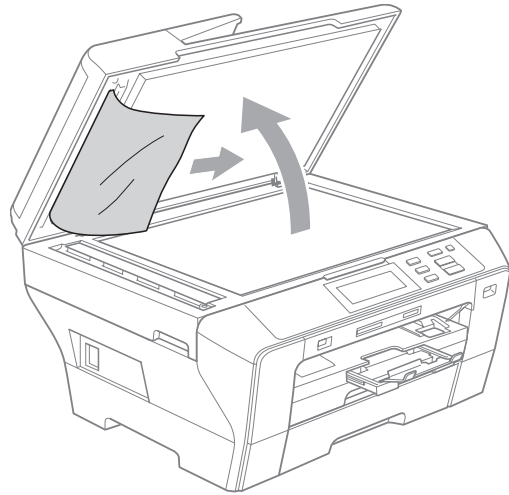
Note

To avoid document jams close the ADF cover correctly by pushing it gently in the middle.

Document is jammed inside the ADF unit

- 1 Take out any paper from the ADF that is not jammed.
- 2 Lift the document cover.

- 3 Pull the jammed document out to the right.

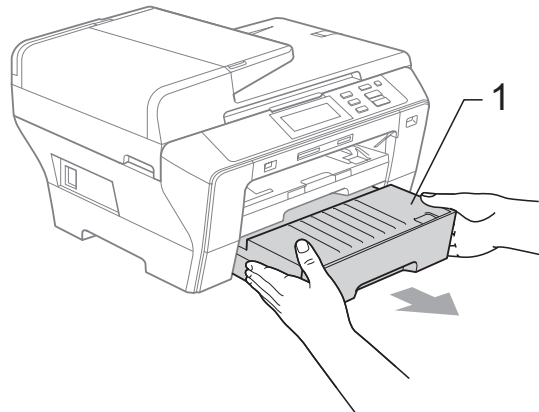
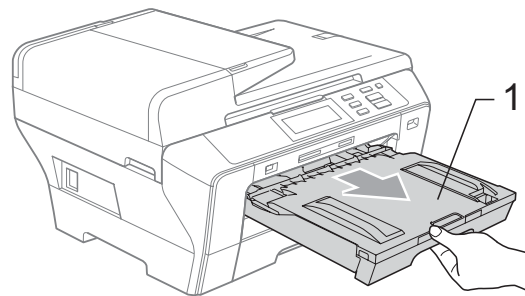


- 4 Close the document cover.
- 5 Press **Stop/Exit**.

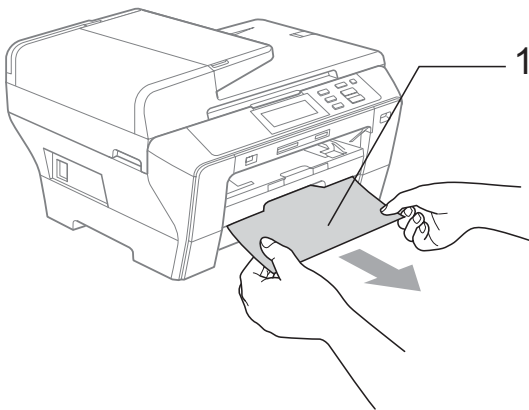
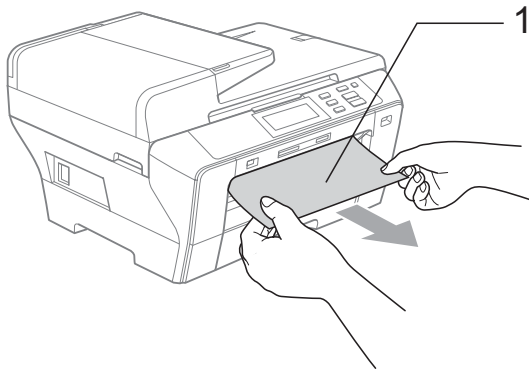
Printer jam or paper jam

Take out the jammed paper depending on where it is jammed in the machine. Open and close the scanner cover to clear the error.

- 1 Pull the paper trays (1) out of the machine.



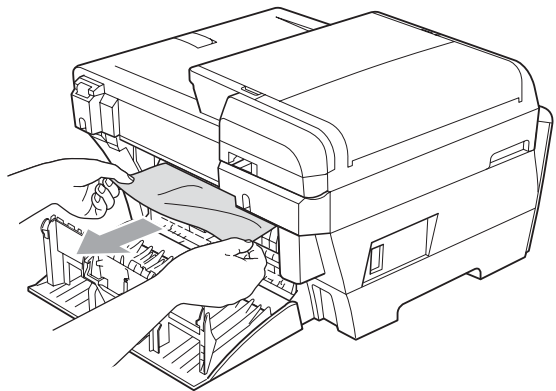
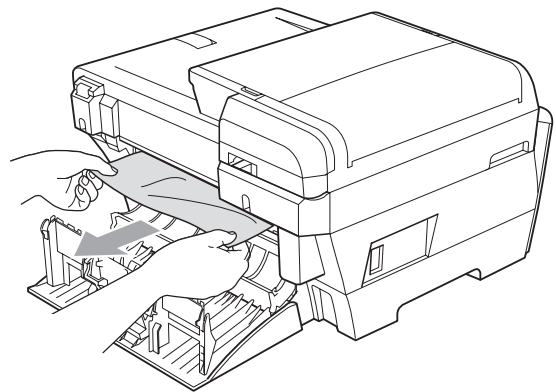
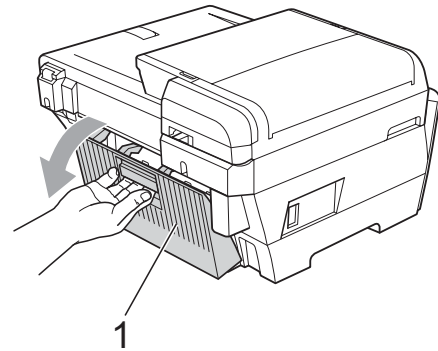
- 2 Pull out the jammed paper (1) and press **Stop/Exit**.



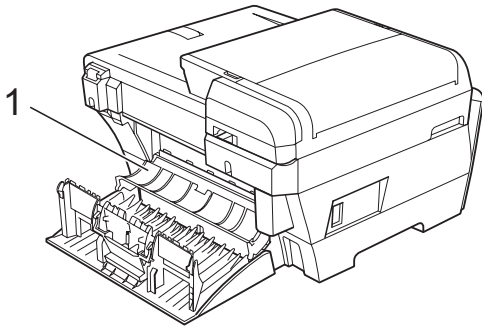
- 3 Reset the machine by lifting the scanner cover from the front of the machine and then close it.

- If you cannot remove the jammed paper from the front side, or the error message still appears on the LCD after you remove the jammed paper, please go to the next step.

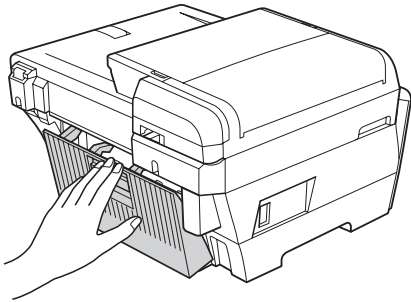
- 4 Open the Outer Rear Cover (1) from the back of the machine. Pull the jammed paper out of the machine.



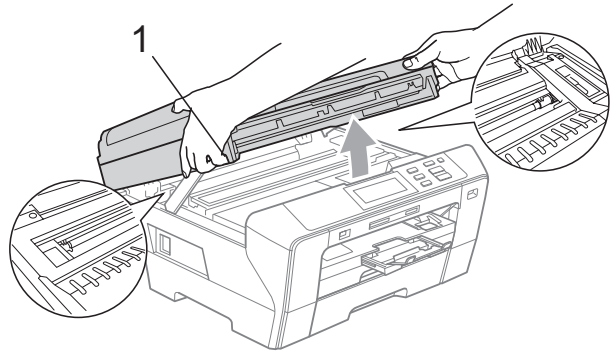
- 5 Close the Inner Rear Cover (1) back on if it is open like in the illustration below.



- 6 Close the Outer Rear Cover. Make sure the cover is closed correctly.

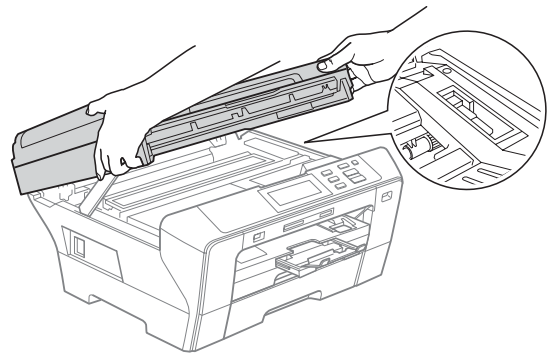


- 7 Using both hands, use the plastic tabs on both sides of the machine to lift the scanner cover (1) until it locks securely into the open position. Make sure that there is no jammed paper left in the corners of the machine.



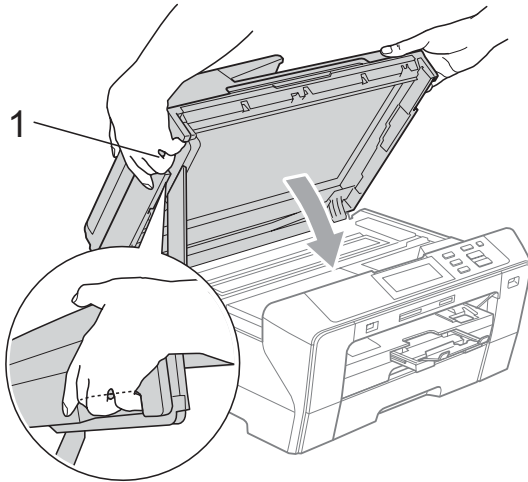
 **Note**

- If the paper is jammed under the print head, unplug the machine from the power source, and then move the print head to take out the paper.
- If the print head has stopped in the right corner as shown in the illustration, you cannot move the print head. Hold down **Stop/Exit** until the print head moves to the middle. Then unplug the machine from the power source, and take out the paper.



- If ink gets on your skin or clothing immediately wash it off with soap or detergent.

- 8 Gently close the scanner cover using the finger holds on both sides of it as you push down on the Scanner Cover Support (1).



WARNING

Be careful not to trap your fingers under the scanner cover.

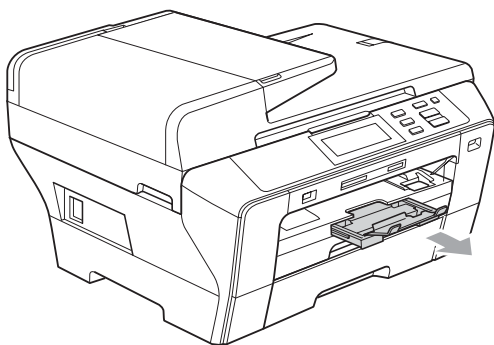
Always use the finger holds provided on both sides of the scanner cover when opening and closing it.

- 9 Push the paper tray #1 and paper tray #2 firmly back into the machine.



Note

Make sure you pull out the paper support until it clicks.



Routine maintenance

Replacing the ink cartridges

Your machine is equipped with an ink dot counter. The ink dot counter automatically monitors the level of ink in each of the 4 cartridges. When the machine detects an ink cartridge is running out of ink, the machine will tell you with a message on the LCD.

The LCD will tell you which ink cartridge is low or needs replacing. Be sure to follow the LCD prompts to replace the ink cartridges in the correct order.

Even though the machine tells you that an ink cartridge is empty, there will be a small amount of ink left in the ink cartridge. It is necessary to keep some ink in the ink cartridge to prevent air from drying out and damaging the print head assembly.

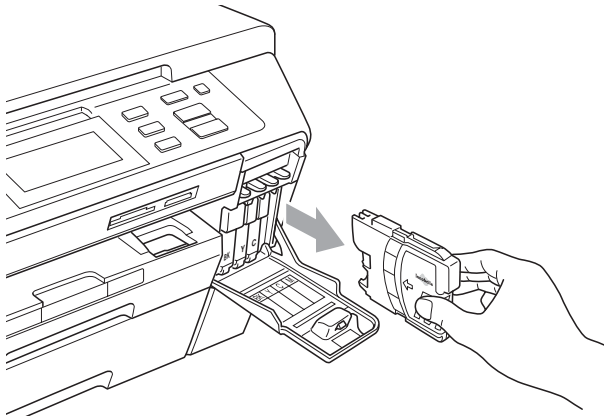
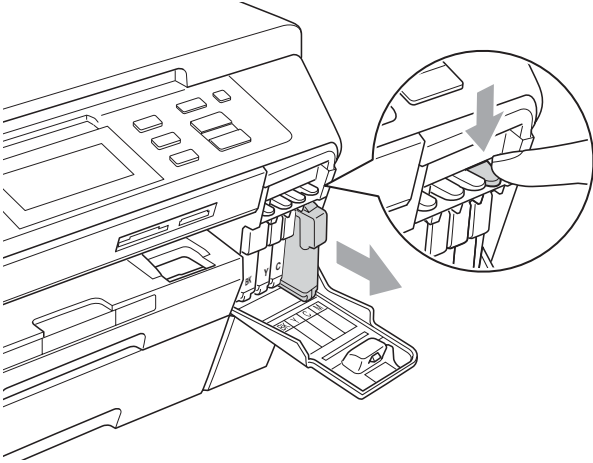


CAUTION

Brother multifunction machines are designed to work with ink of a particular specification and will work to a level of optimum performance and reliability when used with genuine Brother Branded ink cartridges. Brother cannot guarantee this optimum performance and reliability if ink or ink cartridges of other specifications are used. Brother does not therefore recommend the use of cartridges other than genuine Brother Branded cartridges or the refilling of empty cartridges with ink from other sources. If damage is caused to the print head or other parts of this machine as a result of using other brands of ink or ink cartridges, any repairs required as a result may not be covered by the warranty.

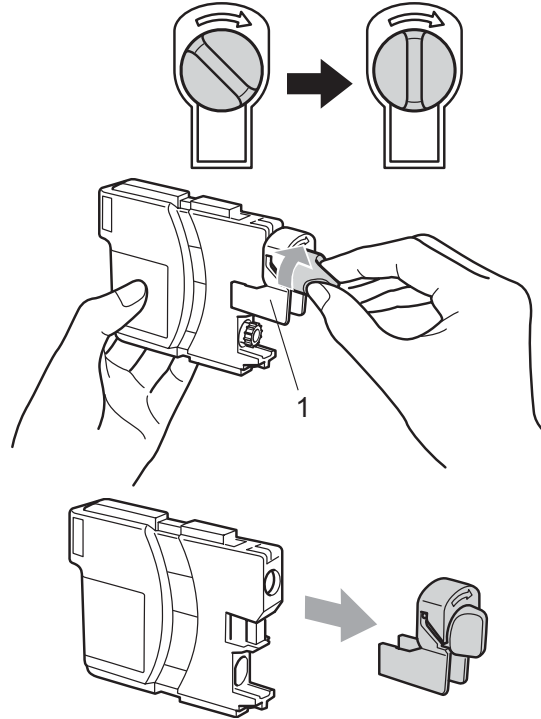
1 Open the ink cartridge cover. If one or more ink cartridges are empty, for example Black, the LCD shows `Cannot Print.`

2 Press the lock release lever as shown to release the ink cartridge indicated on the LCD. Remove the cartridge from the machine.

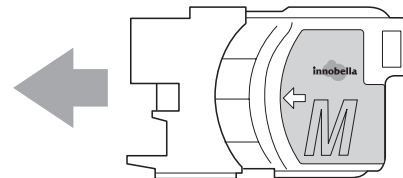


3 Open the new ink cartridge bag for the colour shown on the LCD, and then take out the ink cartridge.

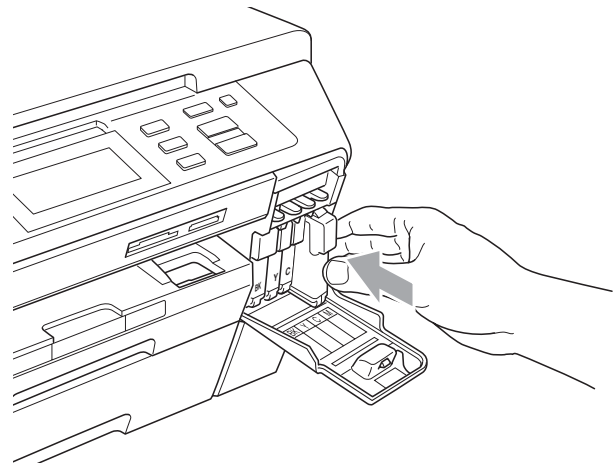
4 Turn the green knob on the protective yellow cap clockwise until it clicks to release the vacuum seal, then remove the cap (1).



5 Each colour has its own correct position. Insert the ink cartridge in the direction of the arrow on the label.



6 Gently push the ink cartridge until it clicks, and then close the ink cartridge cover.



- 7 The machine will automatically reset the ink dot counter.

 **Note**

- If you replaced an ink cartridge, for example Black, the LCD may ask you to verify that it was a brand new one (for example, Did You Change **BK** Black). For each new cartridge you installed, press **Yes** to automatically reset the ink dot counter for that colour. If the ink cartridge you installed is not a brand new one, be sure to press **No**.
- If the LCD shows **No Cartridge** or **Cannot Detect** after you install the ink cartridges, check that the ink cartridges are installed correctly.

 **WARNING**

If ink gets in your eyes, wash them out with water at once and call a doctor if you are concerned.

 **CAUTION**

DO NOT take out ink cartridges if you do not need to replace them. If you do so, it may reduce the ink quantity and the machine will not know the quantity of ink left in the cartridge.

DO NOT touch the cartridge insertion slots. If you do so, the ink may stain your skin.

If ink gets on your skin or clothing immediately wash it off with soap or detergent.


If you mix the colours by installing an ink cartridge in the wrong position, clean the print head several times after correcting the cartridge installation.

Once you open an ink cartridge, install it in the machine and use it up within six months of installation. Use unopened ink cartridges by the expiration date written on the cartridge package.

DO NOT dismantle or tamper with the ink cartridge, this can cause the ink to leak out of the cartridge.

Cleaning the outside of the machine

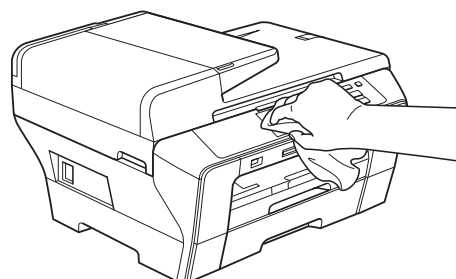
Cleaning the Touchscreen as follows:

 **CAUTION**

Turn off the power switch when you clean the Touchscreen.

DO NOT use any type of liquid cleaners (including ethanol).

- 1 Clean the Touchscreen with a dry soft cloth.



Clean the outside of the machine as follows:

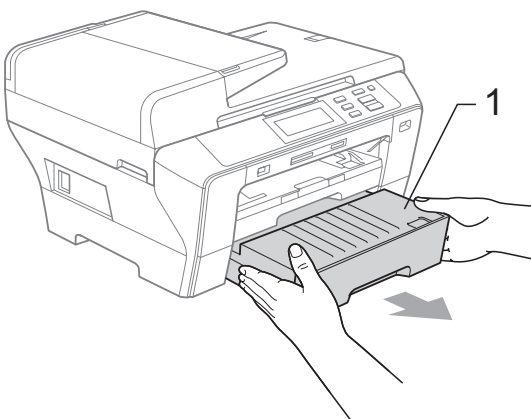
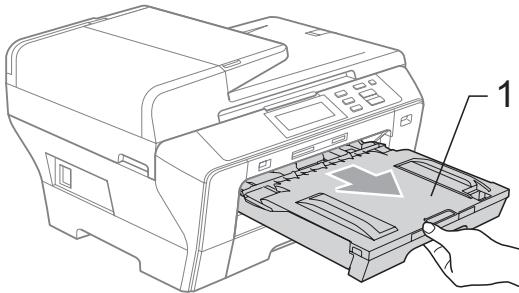
! CAUTION

Use neutral detergents. Cleaning with volatile liquids such as thinner or benzine will damage the outside surface of the machine.

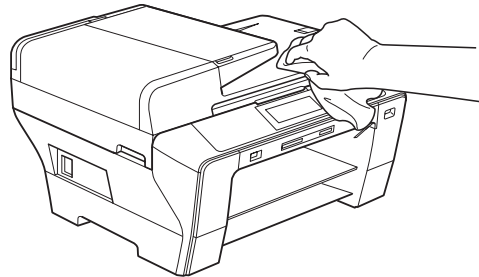
DO NOT use cleaning materials that contain ammonia.

DO NOT use isopropyl alcohol to remove dirt from the control panel. It may crack the panel.

- 1** Pull the paper trays (1) completely out of the machine.

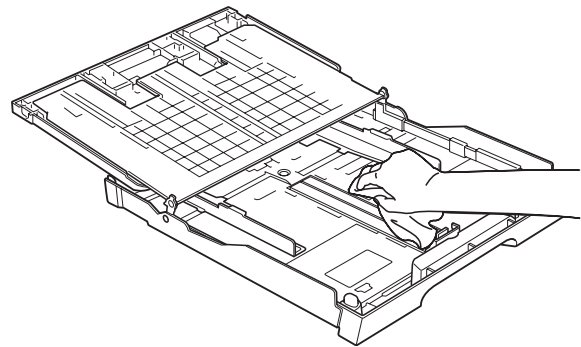


- 2** Wipe the outside of the machine with a soft cloth to remove dust.



- 3** Remove anything that is stuck inside the paper tray.

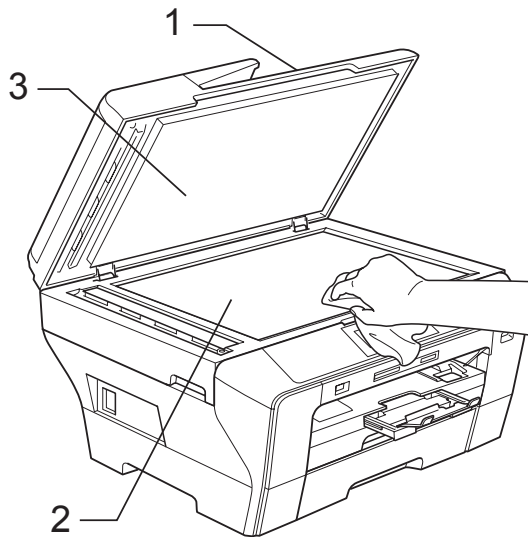
- 4** Wipe the paper trays with a soft cloth to remove dust.



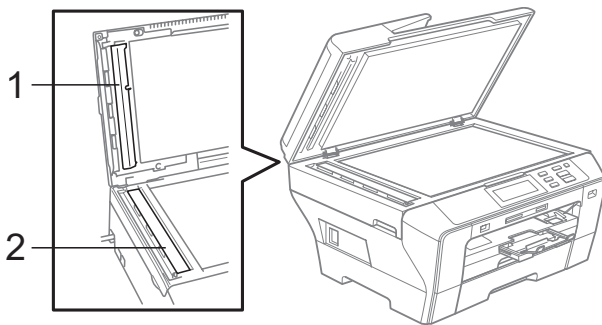
- 5** Put the paper trays firmly back in the machine.

Cleaning the scanner glass

- 1 Lift the document cover (1). Clean the scanner glass (2) and the white plastic (3) with a soft lint-free cloth moistened with a non-flammable glass cleaner.



- 2 In the ADF unit, clean the white bar (1) and the glass strip (2) with a lint-free cloth moistened with a non-flammable glass cleaner.



Note

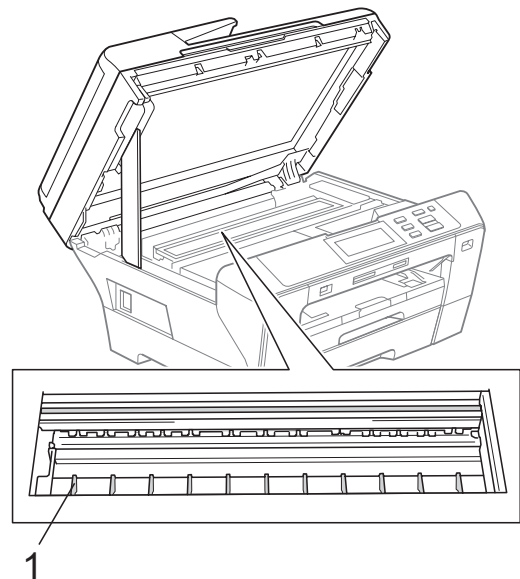
In addition to cleaning the glass strip with a non-flammable glass cleaner, run your finger tip over the glass strip to see if you can feel anything on it. If you feel dirt or debris, clean the glass strip again concentrating on that area. You may need to repeat the cleaning process three or four times. To test, make a copy after each cleaning attempt.

Cleaning the machine printer platen

WARNING

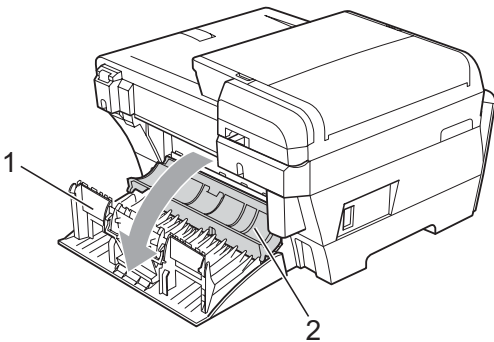
Be sure to unplug the machine from the electrical socket before cleaning the printer platen (1).

- 1 Using both hands, use the plastic tabs on both sides of the machine to lift the scanner cover until it locks securely into the open position.
- 2 Clean the machine printer platen (1) and the area around it, wiping off any scattered ink with a soft, dry lint-free cloth.

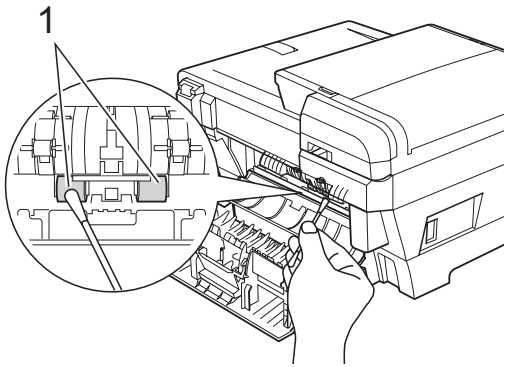


Cleaning the paper pick-up roller

- 1 Pull the paper trays completely out of the machine.
- 2 Unplug the machine from the electrical socket and open the Outer Rear Cover (1) and the Inner Rear Cover (2) at the back of the machine.



- 3 Clean the Paper Pick-up Roller (1) with isopropyl alcohol on a cotton swab.



- 4 Close the Inner Rear Cover back and the Outer Rear Cover. Make sure the cover is closed correctly.
- 5 Put the paper trays firmly back in the machine.
- 6 Re-connect the power cord.

Cleaning the print head


To maintain print quality, the machine will automatically clean the print head. You can start the cleaning process manually if there is a print quality problem.

Clean the print head and ink cartridges if you get a horizontal line or blank text in the text or graphics on your printed pages. You can clean Black only, three colours at a time (Cyan/Yellow/Magenta), or all four colours at once.

Cleaning the print head consumes ink. Cleaning too often uses ink unnecessarily.

! CAUTION

DO NOT touch the print head. Touching the print head may cause permanent damage and may void the print head's warranty.

- 1 Press .
- 2 Press **Cleaning**.
- 3 Press and choose **Black**, **Color** or **All**.
The machine cleans the print head. When cleaning is finished, the machine will go back to standby mode automatically.



Note

If you clean the print head at least five times and the print has not improved, try installing a new genuine Brother Branded replacement cartridge for each problem color. Try cleaning the print head again up to five more times. If the print has not improved call your Brother dealer.


Checking the print quality

If faded or streaked colours and text appear on your output, some of the nozzles may be clogged. You can check this by printing the Print Quality Check Sheet and looking at the nozzle check pattern.



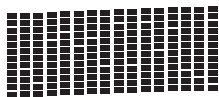
Note

Make sure you put paper in the upper tray for the initial setup.

- 1 Press .
- 2 Press `Test Print`.
- 3 Press `Print Quality`.
- 4 Press **Colour Start**.
The machine begins printing the Print Quality Check Sheet.
- 5 Check the quality of the four colour blocks on the sheet.
- 6 The LCD asks you if the print quality is OK.
Do one of the following:
 - If all lines are clear and visible, press `Yes` to finish the Print Quality check and go to step 10.
 - If you can see missing short lines as shown below, press `No`.

<Black>

OK



Poor

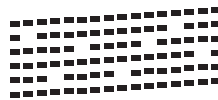


<Colour>

OK



Poor



- 7 The LCD asks you if the print quality is OK for black and three colours.
Press `Yes` or `No`.
- 8 Press **Colour Start**.
The machine starts cleaning the print head.
- 9 After cleaning is finished, press **Colour Start**.
The machine starts printing the Print Quality Check Sheet again and then return to step 5.
- 10 Press **Stop/Exit**.
If you repeat this procedure at least five times and the print quality is still poor, replace the ink cartridge for the clogged colour.
After replacing the ink cartridge, check the print quality. If the problem still exists, repeat the cleaning and test print procedures at least five times for the new ink cartridge. If ink is still missing, call your Brother dealer.



CAUTION

DO NOT touch the print head. Touching the print head may cause permanent damage and may void the print head's warranty.



Note




When a print head nozzle is clogged the printed sample looks like this.

After the print head nozzle is cleaned, the horizontal lines are gone.


Checking the print alignment

You may need to adjust the print alignment after transporting the machine, if your printed text becomes blurred or images become faded.

- 1 Press .
- 2 Press **Test Print**.
- 3 Press **Alignment**.
- 4 Press **Mono Start** or **Colour Start**.
The machine starts printing the Alignment Check Sheet.
- 5 Check the 600 dpi and 1200 dpi test prints to see if number 5 most closely matches number 0.
- 6 Do one of the following:
 - If the number 5 samples of both the 600 dpi and 1200 dpi test prints are the best matches, press **Yes** to finish the Alignment Check and go to step 9.
 - If another test print number is a better match for either 600 dpi or 1200 dpi, press **No** to choose it.
- 7 For 600 dpi, press the number of the test print that most closely matches the number 0 sample (1-8).
- 8 For 1200 dpi, press the number of the test print that most closely matches the number 0 sample (1-8).
- 9 Press **Stop/Exit**.

Checking the ink volume

Although an ink volume icon appears on the LCD, you can use the ink menu to see a large graph showing the ink that is left in each cartridge.

- 1 Press .
- 2 Press **Ink Volume**.
The LCD shows the ink volume.
- 3 Press **Stop/Exit**.



Note

You can check the ink volume from your computer. (See *Printing* for Windows[®] or *Printing and Faxing* for Macintosh[®] in the Software User's Guide on the CD-ROM.)

Machine Information

Checking the serial number

You can see the machine's serial number on the LCD.

- 1 Press **MENU**.
- 2 Press **Machine Info**.
- 3 After checking the serial number, press **Stop/Exit**.

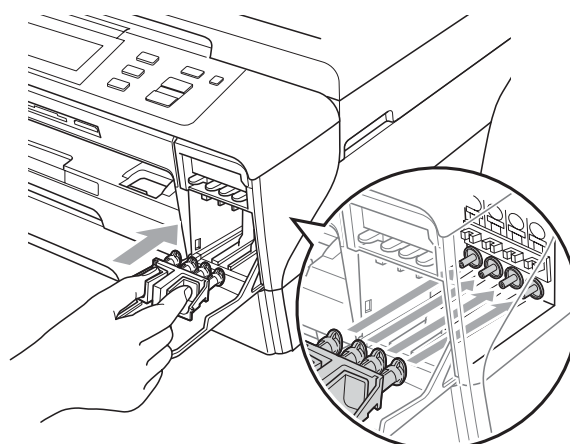
Packing and shipping the machine

When you transport the machine, use the packing materials that came with your machine. Follow the instructions below to properly pack your machine. Damage caused to your machine during transit is not covered by your warranty.

! CAUTION

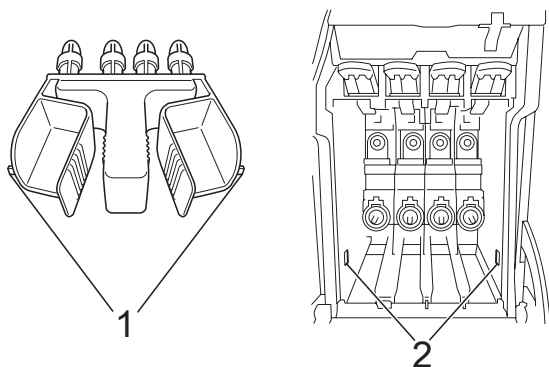
It is important to allow the machine to 'park' the print head after a print job. Listen carefully to the machine before unplugging it to make sure that all mechanical noise has stopped. Not allowing the machine to finish this parking process may lead to print problems and possible damage to the print head.

- 1 Open the ink cartridge cover.
- 2 Press the lock release lever to release the ink cartridge and take out all the ink cartridges. (See *Replacing the ink cartridges* on page 85.)
- 3 Install the green protective part and push it until it clicks and then close the ink cartridge cover.



! CAUTION

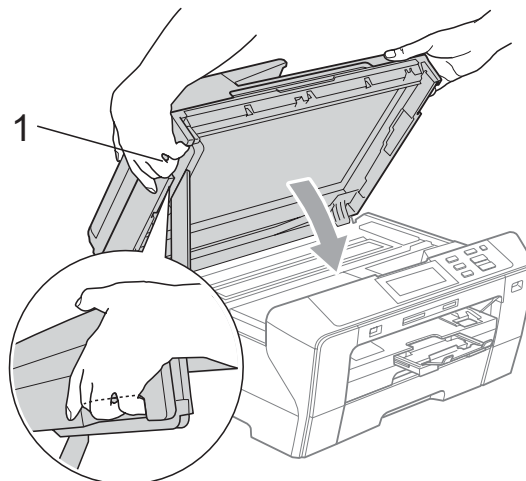
Make sure that the plastic tabs on both sides of the green protective part (1) have securely clicked into place (2).



If you are not able to find the green protective part, DO NOT remove the ink cartridges before shipping. It is essential that the machine be shipped with either the green protective part or the ink cartridges in position. Shipping without them will cause damage to your machine and may void your warranty.

- 4 Unplug the machine from the electrical socket and from the machine.
- 5 Using both hands, use the plastic tabs on both sides of the machine to lift the scanner cover into the open position. Then unplug the interface cable from the machine, if it is connected.

- 6 Gently close the scanner cover using the finger holds on both sides of it as you push down on the Scanner Cover Support (1).

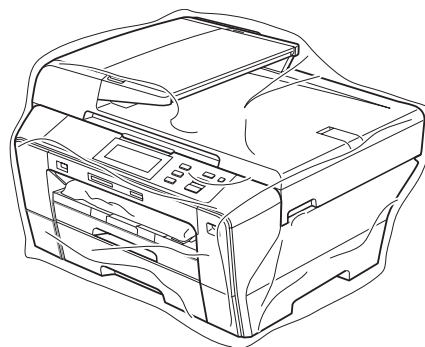


! WARNING

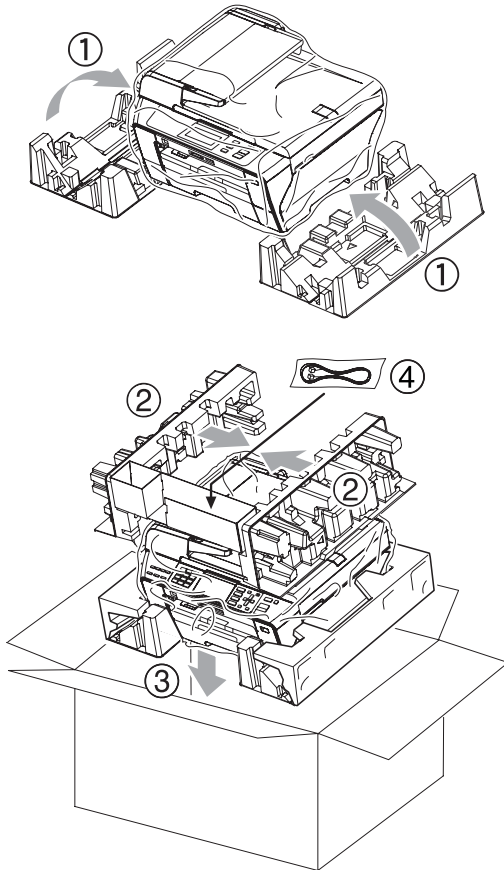
Be careful not to trap your fingers under the scanner cover.

Always use the finger holds provided on both sides of the scanner cover when opening and closing it.

- 7 Wrap the machine in the bag and put it in the original carton with the original packing material.



- 8 Pack the printed materials in the original carton as shown in the illustration. Do not pack the used ink cartridges in the carton.



- 9 Close the carton and tape it shut.

On-screen programming

Your machine is designed to be easy to operate with LCD on-screen programming using the menu keys. User-friendly programming helps you take full advantage of all the menu selections your machine has to offer.

Since your programming is done on the LCD, we have created step-by-step on-screen instructions to help you program your machine. All you need to do is follow the instructions as they guide you through the menu selections and programming options.





Menu table

You can program your machine by using the Menu table that begins on page 97. These pages list the menu selections and options.

For example, to set Sleep Mode to 5 minutes.

- 1 Press **MENU**.
- 2 Press **General Setup**.
- 3 Press **▼**.
- 4 Press **Sleep Mode**.
- 5 Press **5 Mins**.
- 6 Press **Stop/Exit**.

Mode keys

Scan  Copy  Photo Capture 	Press to access the temporary settings for each mode.
Stop / Exit 	Stop the current operation.

Menu table


The menu table will help you understand the menu selections and options that are found in the machine's programs. The factory settings are shown in Bold with an asterisk.

MENU (MENU)


Level1	Level2	Level3	Options	Descriptions	Page	
General Setup	Tray Setting	Tray#1	(Options1)	Sets the type and size of paper in paper tray #1.	25	
			A4*			
		A5				
				A3		
				10x15cm		
				Letter		
				Legal		
			Ledger			
			(Options2)		25	
			Plain Paper*			
			Inkjet Paper			
			Brother BP71			
			Other Glossy			
			Transparency			
		Tray#2	A4*	Sets the type and size of paper in the paper tray #2.	25	
			A3			
			Letter			
			Legal			
			Ledger			
	Beeper	—	Off	Adjusts the volume level of beeper.	26	
			Low*			
			Med			
			High			
	LCD Settings	LCD Contrast	Light	Adjusts the contrast of the LCD.	27	
						Med*
			Dark			
		Backlight	Light*	You can adjust the brightness of the LCD backlight.	27	
			Med			
			Dark			





The factory settings are shown in Bold with an asterisk.


Level1	Level2	Level3	Options	Descriptions	Page
General Setup (Continued)	LCD Settings (Continued)	Dim Timer	Off 10 Secs 20 Secs 30 Secs*	You can set how long the LCD backlight stays on for after the last key press.	27
		Sleep Mode	—	1 Min 2 Mins 3 Mins 5 Mins 10 Mins* 30 Mins 60 Mins	You can set how long the machine must be idle before it goes into sleep mode.
	A3 - Short Grain	—	On* Off	Turn on this setting when you use A3 short grain paper.	25
 The factory settings are shown in Bold with an asterisk.					

Network menu



Level1	Level2	Level3	Level4	Options	Descriptions
Network	Wired LAN	TCP/IP	BOOT Method	Auto* Static RARP BOOTP DHCP	Chooses the BOOT method that best suits your needs.
			IP Address	[000-255]. [000-255]. [000-255]. [000-255]	Enter the IP address.
			Subnet Mask	[000-255]. [000-255]. [000-255]. [000-255]	Enter the Subnet mask.
			Gateway	[000-255]. [000-255]. [000-255]. [000-255]	Enter the Gateway address.
			Node Name	BRNXXXXXXXXXXXX	Enter the Node name.
<p style="text-align: center;">See <i>Network User's Guide on the CD-ROM.</i></p>					
 The factory settings are shown in Bold with an asterisk.					

Level1	Level2	Level3	Level4	Options	Descriptions	
Network (Continued)	Wired LAN (Continued)	TCP/IP (Continued)	WINS Config	Auto* Static	Chooses the WINS configuration mode.	
			WINS Server	(Primary) 000.000.000.000 (Secondary) 000.000.000.000	Specifies the IP address of the primary or secondary server.	
			DNS Server	(Primary) 000.000.000.000 (Secondary) 000.000.000.000	Specifies the IP address of the primary or secondary server.	
			APIPA	On* Off	Automatically allocates the IP address from the link-local address range.	
			IPv6	On off*	Sets the IPv6 protocol On.	
		Ethernet	—	Auto* 100B-FD 100B-HD 10B-FD 10B-HD	Chooses the Ethernet link mode.	
		WLAN	TCP/IP	BOOT Method	Auto* Static RARP BOOTP DHCP	Chooses the BOOT method that best suits your needs.
				IP Address	[000-255]. [000-255]. [000-255]. [000-255]	Enter the IP address.
				Subnet Mask	[000-255]. [000-255]. [000-255]. [000-255]	Enter the Subnet mask.
	See <i>Network User's Guide on the CD-ROM</i> .					
 The factory settings are shown in Bold with an asterisk.						

Level1	Level2	Level3	Level4	Options	Descriptions
Network (Continued)	WLAN (Continued)	TCP/IP (Continued)	Gateway	[000-255]. [000-255]. [000-255]. [000-255]	Enter the Gateway address.
			Node Name	BRWXXXXXXXXXXXXX	Enter the Node name.
			WINS Config	Auto* Static	Chooses the WINS configuration mode.
			WINS Server	(Primary) 000.000.000.000 (Secondary) 000.000.000.000	Specifies the IP address of the primary or secondary server.
			DNS Server	(Primary) 000.000.000.000 (Secondary) 000.000.000.000	Specifies the IP address of the primary or secondary server.
			APIPA	On* Off	Automatically allocates the IP address from the link-local address range.
			IPv6	On Off*	Sets the IPv6 protocol On.
		Setup Wizard	—	—	You can configure your print server.
		SES/WPS/AOSS	—	—	You can easily configure your wireless network settings using the one-button push method.
		WPS w/PIN Code	—	—	You can easily configure your wireless network settings using WPS with a PIN code.
See <i>Network User's Guide on the CD-ROM</i> .					
 The factory settings are shown in Bold with an asterisk.					

Level1	Level2	Level3	Level4	Options	Descriptions
Network (Continued)	WLAN (Continued)	WLAN Status	Status	—	You can see the current wireless network status.
			Signal	—	You can see the current wireless network signal strength.
			SSID	—	You can see the current SSID.
			Comm. Mode	—	You can see the current Communication Mode.
	Network I/F	—	Wired LAN* WLAN	—	You can choose the network connection type.
	Factory Reset	—	Yes No	—	Restores all wired and wireless network settings to the factory default.
See <i>Network User's Guide on the CD-ROM</i> .					
 The factory settings are shown in Bold with an asterisk.					

MENU (continued)

Level1	Level2	Level3	Options	Descriptions	Page
Print Reports	Help List	—	—	Prints these lists and reports.	28
	User Settings	—	—		
	Network Config	—	—		
Machine Info.	Serial No.	—	—	Lets you check the serial number of your machine.	93
Initial Setup	Date&Time	—	—	Puts the date and time in your machine.	See <i>Quick Setup Guide</i> .
	Local Language	—	(Choose the language you want to use.)	Allows you to change the LCD language for your country.	27
 (Ink Management)	Test Print	—	Print Quality Alignment	Lets you check the print quality or alignment.	91
	Cleaning	—	Black Color All	Lets you clean the print head.	90
	Ink Volume	—	—	Lets you check the available ink volume.	92
 The factory settings are shown in Bold with an asterisk.					


Scan ()

Level1	Option1	Option2	Option3	Descriptions	Page
Scan to E-mail	—	—	—	You can scan a monochrome or a colour document into your E-mail application.	See <i>Software User's Guide on the CD-ROM</i> .
Scan to Image	—	—	—	You can scan a colour picture into your graphics application.	
Scan to OCR	—	—	—	You can have your text document converted to an editable text file.	
Scan to File	—	—	—	You can scan a monochrome or a colour document into your computer.	
Scan to Media (when a memory card or USB Flash memory drive is inserted)	Quality	—	Color 150 dpi* Color 300 dpi Color 600 dpi B/W 200x100 dpi B/W 200 dpi	You can choose the scan resolution, file format for your document.	51
	File Type	—	(If you chose colour option in Quality setting) PDF* JPEG		
			(If you chose Mono option in Quality setting) PDF* TIFF		
	Glass Scan Size	—	A4* A3 Letter Legal Ledger		
	File Name	—	—	You can rename the file.	
	Set New Default	—	Yes No	You can save your scan settings.	
Factory Reset	—	Yes No	You can restore all settings to the factory settings.	53	




The factory settings are shown in Bold with an asterisk.

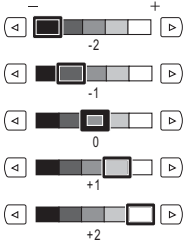

Copy ()

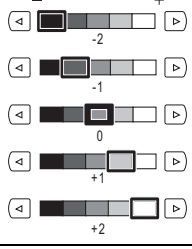
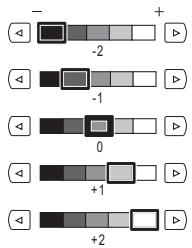

Level1	Level2	Level3	Options	Descriptions	Page
Quality	—	—	Fast Normal* Best	Choose the Copy resolution for your type of document.	31
Enlarge/Reduce	100%	—	—	This is the default setting of Enlarge/Reduce.	31
	Enlarge	—	198% 10x15cm → A4 186% 10x15cm → LTR 142% A4→A3, A5→A4	You can choose the enlargement or reduction ratio for your type of document.	
	Reduce	—	97% LTR → A4 93% A4 → LTR 83% LGL → A4 69% A3→A4, A4→A5 47% A4→10x15cm		
	Fit to Page	—	—	Your machine will adjust the size automatically to the paper size you set.	
	Custom (25-400%)	—	—	You can choose the enlargement or reduction ratio for your type of document.	
Tray Select	—	—	Tray#1* Tray#2	You can choose the tray that will be used for copy.	32
Paper Type (Tray#1 only)	—	—	Plain Paper* Inkjet Paper Brother BP71 Other Glossy Transparency	Choose the paper type that matches the paper in the tray.	32
 The factory settings are shown in Bold with an asterisk.					

Level1	Level2	Level3	Options	Descriptions	Page
Paper Size	—	—	A4* A5 A3 10x15cm Letter Legal Ledger	Choose the paper size that matches the paper in the tray.	33
Brightness	—	—		Adjusts the brightness of copies.	33
Contrast	—	—		Adjusts the contrast of copies.	33
Stack/Sort	—	—	Stack* Sort	You can choose to stack or sort multiple copies.	33
Page Layout	—	Off (1in1) * 2in1 (P) 2in1 (L) 4in1 (P) 4in1 (L) 1 to 2 Poster (2 x 2) Poster (3 x 3)	If you choose A3 or Ledger (When 2 in 1 is chosen) LGRx2 → LGRx1 LTRx2 → LGRx1 A3x2 → A3x1 A4x2 → A3x1 (When Poster(2x2) is chosen) LGRx1 → LGRx4 LTRx1 → LGRx4 A4x1 → A3x4 A3x1 → A3x4	You can make N in 1, 1 to 2 or Poster copies.	34
Skew Adjustment	—	—	Auto* Off	If your scanned copy is skewed, your machine can correct the data automatically.	36
The factory settings are shown in Bold with an asterisk.					

Level1	Level2	Level3	Options	Descriptions	Page
Book Copy	On	—	—	Corrects dark borders and skew when copying from the scanner glass.	36
	On (Preview)	(Skew Adjustment)	—		
		(Shadow Revise)	—		
Off*	—	—	—		
Watermark Copy	Use Watermark	—	—	You can place a logo or text into your document as a Watermark.	37
	Edit Template	—	See the watermark copy settings in the following table.		
	Use Image	—			
Favorite Settings	Store	—	—	You can save your favourite copy settings.	38
	Rename	—	—	You can rename the name of your favourite settings.	
 The factory settings are shown in Bold with an asterisk.					











Watermark Copy Settings

Option1	Option2	Option3	Option4	Descriptions	Page
Edit Template	—	Text	CONFIDENTIAL DRAFT COPY	Places a text into your document as a Watermark using a template.	37
	—	Position	A B C D E* F G H I Pattern		
	—	Size	Small Medium* Large		
	—	Angle	-90° -45°* 0° +45° +90°		
	—	Transparency			
	—	Colour	Red Orange Yellow Green Blue Purple Black*		
 The factory settings are shown in Bold with an asterisk.					

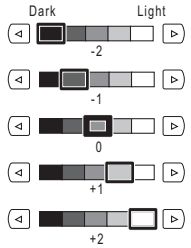
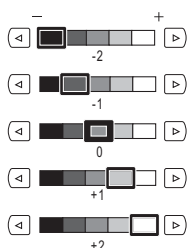

Option1	Option2	Option3	Option4	Descriptions	Page
Use Image	Scan (Set page and press start)	Transparency		Places a logo or text into your document as a Watermark using a scanned image.	37
	Media	Position	A B C D E* F G H I Pattern	Places a logo or text into your document as a Watermark using an image from removable media.	
		Size	Small Medium* Large		
		Angle	-90° -45°* 0° +45° +90°		
		Transparency			
 The factory settings are shown in Bold with an asterisk.					

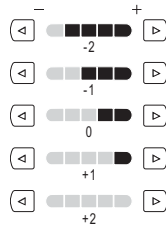
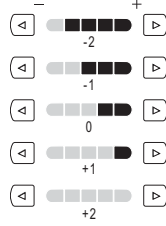
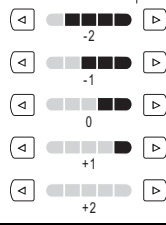

C

PhotoCapture ()

Level1	Level2	Level3	Options	Descriptions	Page
View Photos	 (Print All Photos)	—	See the print settings in the following table.	You can print all photos in your memory card or USB Flash memory drive.	43
	 (Slide Show)	—	—	The machine starts a Slide Show of your photos.	
Enhance Photos	Enhance	 (Auto Correct)	See the print settings in the following table.	You can adjust your photos with these settings.	44
		 (Enhance Skin)			
	 (Enhance Scenery)				
 (Remove Red-Eye)					
 (Monochrome)					
 (Sepia)					
 (Auto Correct Remove Red-Eye)					
	Trim	—		You can trim your photo and print a part of the image.	44
Index Print	Index Sheet	6 Images/Line 5 Images/Line	See the print settings in the following table.	You can print a thumbnail page.	45
	Print Photos	—		You can print an individual image.	46
 The factory settings are shown in Bold with an asterisk.					


Print Settings

Option1	Option2	Option3	Option4	Descriptions	Page
Print Quality (Not available for DPOF printing)	Normal Photo*	—	—	Choose the print quality.	48
Paper Type	Plain Paper Inkjet Paper Brother BP71 Other Glossy*	—	—	Choose the paper type.	48
Paper Size	10x15cm* 13x18cm A4 A3 Letter Ledger	(When A4 or Letter is chosen) 8x10cm 9x13cm 10x15cm 13x18cm 15x20cm Max. Size*	—	Choose the paper and print size.	48
Brightness (Not available when Enhance is chosen.)		—	—	Adjusts the brightness.	49
Contrast (Not available when Enhance is chosen.)		—	—	Adjusts the contrast.	49
 The factory settings are shown in Bold with an asterisk.					

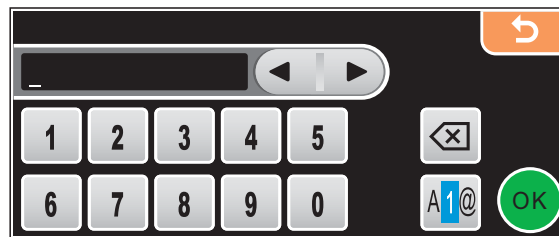
Option1	Option2	Option3	Option4	Descriptions	Page
Color Enhance (Not available when Enhance is chosen.)	On Off*	White Balance		Adjusts the hue of the white areas.	49
		Sharpness		Enhances the detail of the image.	
		Color Density		Adjusts the total amount of colour in the image.	
Cropping	On* Off	—	—	Crops the image around the margin to fit the paper size or print size. Turn this feature off if you want to print whole images or prevent unwanted cropping.	50
Borderless	On* Off	—	—	Expands the printable area to fit the edges of the paper.	50
Date Print (Not available for DPOF printing)	On Off*	—	—	Prints the date on your photo.	50
Set New Default	—	—	Yes No	You can save your print settings.	50
Factory Reset	—	—	Yes No	You can restore all the settings to factory settings.	51
 The factory settings are shown in Bold with an asterisk.					

Entering Text

For Touchscreen models

When you are setting certain menu selections, you may need to enter text into the machine. Press  to choose numbers, letters or special characters. Up to four letters are assigned to each button on the Touchscreen.

By pressing the correct button repeatedly, you can access the character you want.



Inserting spaces


To enter a space, press  to choose special characters, then press the space button  or .




Note

The characters available may differ depending on your country.

Making corrections

If you entered an incorrect letter and want to change it, use the arrow buttons to move the cursor under the incorrect character. Then press . Re-enter the correct character. You can also insert letters by moving the cursor and entering a character.

Repeating letters

If you need to enter a letter that is on the same button as the letter before it, press  to move the cursor to the right before you press the same button again.

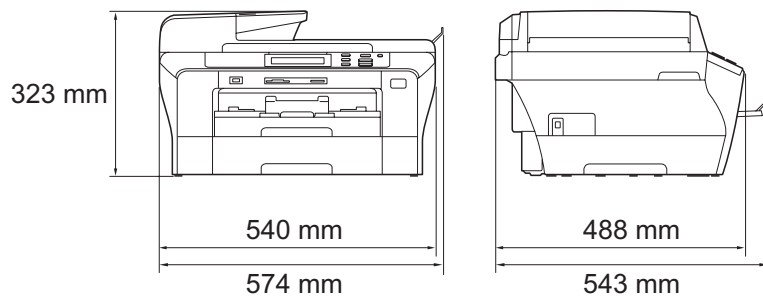
D

Specifications

General

Printer Type	Inkjet	
Print Method	Mono:	Piezo with 94 × 2 nozzle
	Colour:	Piezo with 94 × 3 nozzles
Memory Capacity	64 MB	
LCD (liquid crystal display)	Touchscreen 4.2 in. (106.7 mm) Colour LCD	
	Touchscreen active area: 100.3 mm	
Power Source	AC 220 to 240V 50/60Hz	
Power Consumption	Power Save Mode:	Average 0.7 W
	Sleep Mode:	Average 4 W
	Standby:	Average 6 W
	Operating:	Average 26 W

Dimension



Weight		15.6 kg
Noise	Operating:	LPAm = 50 dB or less ¹
Noise per ISO 9296	Operating:	LWAd = 64.1 dB (A) (Mono) LWAd = 55.2 dB (A) (Colour) Office equipment with LWAd>63.0 dB(A) is not suitable for use in rooms where people do primarily intellectual work. Such equipment should be placed in separate rooms because of the noise emission.
Temperature	Operating:	10 - 35° C
	Best Print Quality:	20 - 33° C
Humidity	Operating:	20 - 80% (without condensation)
	Best Print Quality:	20 - 80% (without condensation)
ADF (automatic document feeder)	Recommended environment for best results:	Up to 50 pages Temperature: 20° C - 30° C Humidity: 50% - 70% Paper: 80 g/m ²
Paper Tray #1		150 Sheets 80 g/m ²
Paper Tray #2		250 Sheets 80 g/m ²

¹ This depends on printing conditions.

Print media

Paper Input

Paper Tray #1

- Paper type:

Plain paper, inkjet paper (coated paper), glossy paper², transparencies^{1 2} and envelopes

- Paper size:

Ledger, A3, Letter, Legal, Executive, A4, A5, A6, JIS B4, JIS B5, envelopes (commercial No.10, DL, C5, Monarch, JE4), Photo 10×15 cm, Photo L 89×127 mm, Photo 2L 13×18 cm, Index card and Post card³.

Width: 89 mm - 297 mm

Length: 127 mm - 431.8 mm

For more details, see *Paper weight, thickness and capacity* on page 21.

- Maximum paper tray capacity:

Approx. 150 sheets of 80 g/m² plain paper

Paper Tray #2

- Paper type:

Plain paper

- Paper size:

Ledger, A3, Letter, Legal, A4, JIS B5, B4

Width: 89 mm - 297 mm

Length: 127 mm - 431.8 mm

For more details, see *Paper weight, thickness and capacity* on page 21.

- Maximum paper tray capacity:

Approx. 250 sheets of 80 g/m² plain paper

Paper Output

Up to 50 sheets of A4 plain paper (face up print delivery to the paper tray)²

¹ Use only transparencies recommended for inkjet printing.

² For glossy paper or transparencies, we recommend removing printed pages from the paper tray immediately after they exit the machine to avoid smudging.

³ See *Paper type and size for each operation* on page 20.

Copy

Colour/Monochrome	Yes/Yes
Document Size	ADF Width: 148 mm to 297 mm ADF Length: 148 mm to 431.8 mm Scanner Glass Width: Max. 297 mm Scanner Glass Length: Max. 431.8 mm Copy Width: Max. 291 mm
Multiple Copies	Stacks/Sorts up to 99 pages
Enlarge/Reduce	25% to 400% (in increments of 1%)
Resolution	■ Scans up to 1200×1200 dpi ■ Prints up to 1200×1200 dpi

PhotoCapture Center™

Compatible Media ¹

CompactFlash®
(Type I only)
(Microdrive™ is not compatible)
(Compact I/O cards such as Compact LAN card and Compact Modem card are not supported.)

Memory Stick®

Memory Stick Pro™

Memory Stick Duo™ with adapter

Memory Stick Micro (M2) with adapter

SD ²

SDHC ³

micro SD with adapter

miniSD™ with adapter

xD-Picture Card™ ⁴

USB Flash memory drive ⁵

Resolution

Up to 1200 × 2400 dpi

File Extension

(Media Format)

(Image Format)

DPOF, EXIF, DCF

Photo Print: JPEG ⁶

Scan to Media: JPEG, PDF (Colour)

TIFF, PDF (Black)

Number of Files

Up to 999 files

(The folder inside memory cards or USB Flash memory drive is also counted.)

Folder

File must be stored in the 4th folder level of the memory card or USB Flash memory drive.

Borderless

Ledger, A3, Letter, A4, Photo (10×15 cm),

Photo 2L (13×18 cm) ⁷

¹ Memory cards, adapters and USB Flash memory drive are not included.

² 16MB to 2GB

³ 4GB to 8GB

⁴ xD-Picture Card™ Conventional Card from 16MB to 512MB

xD-Picture Card™ Type M from 256MB to 2GB

xD-Picture Card™ Type M⁺ 1GB and 2GB

xD-Picture Card™ Type H from 256MB to 2GB

⁵ USB 2.0 Standard

USB Mass Storage standard from 16 MB to 8 GB

Support format: FAT12/FAT16/FAT32

⁶ Progressive JPEG format is not supported.

⁷ See *Paper type and size for each operation* on page 20.

PictBridge

Compatibility

Supports the Camera & Imaging Products Association PictBridge standard CIPA DC-001.

Visit <http://www.cipa.jp/pictbridge> for more information.

Interface

USB direct interface

Scanner

Colour/Monochrome	Yes/Yes
TWAIN Compliant	Yes (Windows® 2000 Professional/XP/XP Professional x64 Edition/Windows Vista®) Mac OS® X 10.2.4 or greater
WIA Compliant	Yes (Windows® XP ¹ /Windows Vista®)
Colour Depth	48 bit colour Processing (Input) 24 bit colour Processing (Output) (Actual Input: 30 bit colour/Actual Output: 24 bit colour)
Resolution	Up to 19200 × 19200 dpi (interpolated) ² Up to 1200 × 2400 dpi (optical) (Scanner Glass) Up to 1200 × 600 dpi (optical) (ADF)
Scanning Speed	Monochrome: up to 3.39 sec. Colour: up to 4.49 sec. (A4 size at 100 × 100 dpi)
Document Size	ADF Width: 148 mm to 297 mm ADF Length: 148 mm to 431.8 mm Scanner Glass Width: Max. 297 mm Scanner Glass Length: Max. 431.8 mm
Scanning Width	Up to 291 mm
Greyscale	256 levels

¹ Windows® XP in this User's Guide includes Windows® XP Home Edition, Windows® XP Professional, and Windows® XP Professional x64 Edition.

² Maximum 1200 × 1200 dpi scanning when using the WIA Driver for Windows® XP and Windows Vista® (resolution up to 19200 × 19200 dpi can be selected by using the Brother scanner utility)

Printer

Printer Driver	Windows® 2000 Professional/XP/XP Professional x64 Edition/Windows Vista® driver supporting Brother Native Compression mode
	Mac OS® X 10.2.4 or greater: Brother Ink Driver
Resolution	Up to 1200 × 6000 dpi 1200 × 2400 dpi 1200 × 1200 dpi 600 × 1200 dpi 600 × 600 dpi 600 × 300 dpi 450 × 300 dpi (Mono) 600 × 150 dpi (Colour)
Print Speed	Up to 35 pages/minute (Mono) ¹ Up to 28 pages/minute (Colour) ¹
Printing Width	291 mm (297 mm) ^{2 4}
Borderless	Ledger, A3, Letter, A4, A6, B4, Photo (10×15 cm), Index Card, Photo L (89×127 mm), Photo 2L (13×18 cm), Post Card ³

¹ Based on Brother standard pattern.
A4 size in draft mode.

² When you set the Borderless feature to On.

³ See *Paper type and size for each operation* on page 20.

⁴ When printing on A4 size paper.

Interfaces

USB^{1 2}

A USB 2.0 interface cable that is no longer than 2.0 m.

LAN cable³

Ethernet UTP cable category 5 or greater.

Wireless LAN

Your machine supports IEEE 802.11b/g wireless communication with your wireless LAN using Infrastructure mode or a wireless Peer-to-Peer connection in Ad-hoc Mode.

¹ Your machine has a Hi-speed USB 2.0 interface. The machine can also be connected to a computer that has a USB 1.1 interface.

² Third party USB ports are not supported for Macintosh®.

³ See the *Network User's Guide* for detailed network specifications.

Computer requirements

SUPPORTED OPERATING SYSTEMS AND SOFTWARE FUNCTIONS									
Computer Platform & Operating System Version		Supported PC Software Functions	PC Interface	Processor Minimum Speed	Minimum RAM	Recommended RAM	Hard Disk Space to install		
							For Drivers	For Applications	
Windows® Operating System ¹	2000 Professional ⁴	Printing, Scanning, Removable Disk	USB, 10/100 BaseTx (Ethernet), Wireless 802.11b/g	Intel® Pentium® II or equivalent	64 MB	256 MB	110 MB	340 MB	
	XP Home ^{2 4}				128 MB		110 MB	340 MB	
	XP Professional ^{2 4}			64-bit (Intel®64 or AMD64) supported CPU	256 MB	512 MB	110 MB	340 MB	
	XP Professional x64 Edition ²				Intel® Pentium® 4 or equivalent 64-bit (Intel®64 or AMD64) supported CPU	512 MB	1 GB	600 MB	530 MB
	Windows Vista® ²								
Macintosh® Operating System ⁵	Mac OS® X 10.2.4 - 10.4.3	Printing, Scanning, Removable Disk	USB ³ , 10/100 BaseTx (Ethernet), Wireless 802.11b/g	PowerPC G4/G5 PowerPC G3 350MHz	128 MB	256 MB	80 MB	400 MB	
	Mac OS® X 10.4.4 or greater	Printing, Scanning, Removable Disk	USB ³ , 10/100 BaseTx (Ethernet), Wireless 802.11b/g	PowerPC G4/G5 Intel® Core™ Processor	512 MB	1 GB			

Conditions:

- ¹ Microsoft® Internet Explorer 5.5 or greater.
- ² For WIA, 1200 x 1200 resolution. Brother Scanner Utility enables to enhance up to 19200 x 19200 dpi.
- ³ Third party USB ports are not supported.
- ⁴ PaperPort™ 11SE supports Microsoft® SP4 or higher for Windows® 2000 and SP2 or higher for XP.
- ⁵ Presto!® PageManager® on the CD-ROM supports Mac OS® X 10.3.9 or higher. For Mac OS® X 10.2.4-10.3.8 Presto!® PageManager® is available as a download from the Brother Solutions Center.

For the latest driver updates, visit <http://solutions.brother.com/>.

All trademarks, brand and product names are property of their respective companies.

Consumable items

Ink The machine uses individual Black, Yellow, Cyan and Magenta ink cartridges that are separate from the print head assembly.

Service Life of Ink Cartridge

Replacement Ink Cartridges

The first time you install a set of ink cartridges the machine will use an amount of ink to fill the ink delivery tubes for high quality printouts. This process will only happen once. With all following ink cartridges you can print the specified number of pages.

For more information about the replacement consumables, visit us at www.brother.com/pageyield.

Replacement Consumables

<Standard Black> LC1100BK, <High Yield Black> LC1100HY-BK
<Standard Cyan> LC1100C, <High Yield Cyan> LC1100HY-C
<Standard Magenta>LC1100M, <High Yield Magenta> LC1100HY-M
<Standard Yellow> LC1100Y, <High Yield Yellow> LC1100HY-Y

What is Innobella™?

Innobella™ is a range of genuine consumables offered by Brother. The name "Innobella™" derives from the words "Innovation" and "Bella" (meaning "Beautiful" in Italian) and is a representation of the "innovative" technology providing you with "beautiful" and "long lasting" print results.



When you print photo images, Brother recommends Innobella™ glossy photo paper (BP71 series) for high quality. Brilliant prints are made easier with Innobella™ Ink and paper.

Network (LAN)

LAN	You can connect your machine to a network for Network Printing, Network Scanning and Remote Setup ¹ (Windows [®] only). Also included is Brother BRAdmin Light ² Network Management software.	
Support for	Windows [®] 2000 Professional/XP/XP Professional x64 Edition/Windows Vista [®] Mac OS [®] X 10.2.4 or greater Ethernet 10/100 BASE-TX Auto Negotiation (Wired LAN) IEEE 802.11 b/g (Wireless LAN)	
Protocols	TCP/IP for IPv4:	ARP, RARP, BOOTP, DHCP, APIPA (Auto IP), NetBIOS/WINS, LPR/LPD, Custom Raw Port/Port9100, DNS Resolver, mDNS, FTP Server, TELNET, SNMPv1, TFTP, Scanner Port, LLTD responder, Web Services
	TCP/IP for IPv6:	(Turned off as default) NDP, RA, LPR/LPD, Custom Raw Port/Port9100, mDNS, FTP Server, TELNET, SNMPv1, TFTP, Scanner Port, LLTD responder, Web Services
Network Security	SSID/ESSID, 128 (104) / 64 (40) bit WEP, WPA/WPA2-PSK (TKIP/AES)	
Setup Support Utility	SecureEasySetup™	Yes (simple setup with your SecureEasySetup™-capable access point/router)
	AOSS™	Yes (simple setup with your AOSS™-capable access point/router)
	WPS	Yes (simple setup with your Wi-Fi Protected Setup™-capable access point/router)

¹ See the Computer Requirements chart on page 121.

² If you require more advanced printer management, use the latest Brother BRAdmin Professional utility version that is available as a download from <http://solutions.brother.com>.

Wireless one-push configuration

If your wireless access point supports either SecureEasySetup™, Wi-Fi Protected Setup™ (PBC¹) or AOSS™, you can configure the machine easily without a computer. By pushing a button on the wireless LAN router / access point and the machine, you can set up the wireless network and security settings. See the users guide for your wireless LAN router / access point for instructions on how to access one-push mode.

¹ Push Button Configuration

Note

Routers or access points that support SecureEasySetup™, Wi-Fi Protected Setup™ or AOSS™ have the symbols shown below.



E

Glossary

This is a comprehensive list of features and terms that appear in Brother manuals. Availability of these features depends on the model you purchased.

ADF (automatic document feeder)

The document can be placed in the ADF and scanned one page at a time automatically.

Beeper Volume

Volume setting for the beep when you press a key or make an error.

Brightness

Changing the Brightness makes the whole image lighter or darker.

Contrast

Setting to compensate for dark or light documents, by making copies of dark documents lighter and light documents darker.

Colour Enhancement

Adjusts the colour in the image for better print quality by improving sharpness, white balance and colour density.

Favourite

You can store the copy settings that you use most often by setting them as a favourite. You can set up to three favourite.

Greyscale

The shades of grey available for copying and scanning.

Help list

A printout of the complete Menu table that you can use to program your machine when you do not have the User's Guide with you.

Innobella™

Innobella™ is a range of genuine consumables offered by Brother. For best quality results Brother recommends Innobella™ Ink and Paper.

LCD (liquid crystal display)

The display screen on the machine that shows interactive messages during On-Screen Programming.

Menu mode

Programming mode for changing your machine's settings.

OCR (optical character recognition)

The bundled ScanSoft™ PaperPort™ 11SE with OCR or Presto!®

PageManager® software application converts an image of text to text you can edit.

PhotoCapture Center™

Allows you to print digital photos from your digital camera at high resolution for photo quality printing.

PictBridge

Allows you to print photos directly from your digital camera at high resolution for photo quality printing.

Scanning

The process of sending an electronic image of a paper document into your computer.

Scan to Media

You can scan a monochrome or colour document into a memory card or USB Flash memory drive. Monochrome images will be in TIFF or PDF file format and colour images may be in PDF or JPEG file format.

Temporary settings

You can choose certain options for copy without changing the default settings.

User Settings

A printed report that shows the current settings of the machine.

F

Index

A

- ADF (automatic document feeder)22
- Apple® Macintosh®
 - See Software User's Guide on the CD-ROM.

C

- Cleaning
 - paper pick-up roller90
 - print head90
 - printer platen89
 - scanner89
- Consumable items122
- Control panel overview6
- ControlCenter
 - See Software User's Guide on the CD-ROM.
- Copy
 - brightness33
 - contrast33
 - enlarge/reduce31
 - enter Copy mode30
 - favourite38
 - multiple30
 - page layout (N in 1)34
 - paper size33
 - paper type32
 - quality31
 - single30
 - sort (ADF only)33
 - tray select32
 - using ADF33
 - using scanner glass23

D

- Direct printing
 - from a non-PictBridge camera56
 - from a PictBridge camera54
- Document
 - loading 22, 23

E

- Envelopes15, 20, 21
- Error messages on LCD 78
 - B&W Print Only 78
 - Cannot Detect 78
 - Cannot Print 79
 - Ink low 79
 - No Cartridge 79
 - No Paper Fed 80
 - Out of Memory 80
 - Unable to Clean 80
 - Unable to Init. 80
 - Unable to Print 81
 - Unable to Scan 81

G

- Greyscale 118

H

- Help
 - LCD messages 96
 - using Mode keys 96
 - Menu Table 96, 97

I

- Ink cartridges
 - checking ink volume 92
 - ink dot counter 85
 - replacing 85
- Innobella™ 122

J

- Jams
 - document 82
 - paper 82

L

LCD (liquid crystal display)	96
Brightness	27
Contrast	27
Dim Timer	27
Help List	28
Language	27
Loading envelopes and post cards	15
Loading paper	9

M

Macintosh®	
See Software User's Guide on the CD-ROM.	
Maintenance, routine	
replacing ink cartridges	85
Menu Table	96
Mode, entering	
Copy	30
PhotoCapture	43
Scan	51

N

Network	
Printing	
See Network User's Guide on the CD-ROM.	
Scanning	
See Software User's Guide on the CD-ROM.	

P

Packing the machine	93
Paper	15, 18, 114
capacity	21
loading	9, 12, 15
printable area	17
size of document	22
type	20, 25
PaperPort™ 11SE with OCR	
See Software User's Guide on the CD-ROM and Help in the PaperPort™ 11SE application to access How-to-Guides.	

PhotoCapture Center™	
Borderless	50
CompactFlash®	40
Cropping	50
Date Print	50
DPOF printing	46
Enhance Photos	
Auto Correct	44
Enhance Scenery	44
Enhance Skin	44
Monochrome	44
Remove Red-Eye	44
Sepia	44
Trim	44
from PC	
See Software User's Guide on the CD-ROM.	
Memory Stick Pro™	40
Memory Stick®	40
Preview photos	43
Print settings	
Brightness	49
Colour enhancement	49
Contrast	49
Paper type & size	48
Quality	48
Return to factory setting	51
Set new default	50
Printing	
all photos	43
index	45
photos	46
Scan to memory card	51
Scan to USB flash memory	51
SD	40
SDHC	40
Slide-Show	43
specifications	116
xD-Picture Card™	40
PictBridge	
DPOF Printing	55
Presto!® PageManager®	
See Help in Presto!® PageManager® application	

Print	
difficulties	73
drivers	119
paper jams	82
report	28
resolution	119
specifications	119
Printing	
on small paper	16
See Software User's Guide on the CD-ROM.	
Programming your machine	96

R

Reducing	
copies	31
Remote Setup	
See Software User's Guide on the CD-ROM.	
Reports	
Help List	28
how to print	28
Network Configuration	28
User Settings	28
Resolution	
copy	115
print	119
scan	118

S

Safety Instructions	63, 68
Scannable area	24
Scanning	
See Software User's Guide on the CD-ROM.	
Serial Number	
how to find.....	See inside front cover
Shipping the machine	93
Sleep mode	26

T

Text, entering	111
special characters	111
Transparencies	18, 21, 114
Troubleshooting	73
checking ink volume	92
document jam	82
error messages on LCD	78
if you are having difficulty	
copying	75
document jam	82
Network	77
PhotoCapture Center™	76
printing	73
scanning	75
software	76
paper jam	82

V

Volume, setting	
beeper	26

W

Wireless Network	
See Quick Setup Guide and Network User's Guide on the CD-ROM.	

brother®

Visit us on the World Wide Web
<http://www.brother.com>

This machine is approved for use in the country of purchase only. Local Brother companies or their dealers will only support machines purchased in their own countries.