



FAX/MFC

PARTS REFERENCE LIST

SERIES:ELL

MODEL:

DCP- 7090DW / 7190DW / 7195DW

DCP- B7500D / B7520DW / B7530DN

DCP- B7535DW / L2510D / L2512D / L2530DW

DCP- L2531DW / L2532DW / L2535D / L2535DW

DCP- L2537DW / L2550DN / L2550DW / L2551DN

DCP- L2551DW / L2552DN

HL - L2390DW / L2395DW

MFC- L2690DW(XL)

MFC- 7895DW / B7700D / B7715DW / B7720DN

MFC- L2710DN / L2710DW / L2712DN / L2712DW

MFC- L2713DW / L2715DW / L2716DW / L2717DW

MFC- L2730DW / L2732DW / L2750DW(XL)

MFC- L2751DW / L2752DW / L2770DW / L2771DW

Read this list thoroughly before maintenance work.
Keep this list in a convenient place for quick and easy reference at all times.

NOTE FOR USING THIS PARTS REFERENCE LIST

1. In the case of ordering parts, it is necessary to mention the following items:

- (1) Code
- (2) Q'ty
- (3) Description

<Example>

	(1)	(2)	(3)			
REFNo.	CODE	Q'TY	DESCRIPTION	MODEL	SPEC	REMARKS

2. Design-changed parts:

If any of the parts code is changed in this Parts List, one of the following symbols is indicated in the REMARKS column.

CHG (chg): The parts code is changed for a new one in this Parts List.

ADD (add): The parts code is newly added in this Parts List.

DEL (del): The parts code is deleted in this Parts List.

Symbol in capital letters indicates the latest parts change information in the page.

3. Parts change will be informed by the Parts change information.

4. Parts are subject to change in design without prior notice.

COUNTRIES & AREAS

ARL ----- AUSTRALIA

ASA ----- ASIA (SINGAPORE/GULF)

BRA ----- BRAZIL

CAN ----- CANADA

CEE ----- CEE GENERAL

CHN ----- CHINA

FRA/BEL/NLD -----

FRANCE/BELGIUM/NETHERLANDS

GER ----- GERMANY

IBE ----- IBERIA (SPAIN/PORTUGAL)

IND ----- INDIA

ISR----- ISRAEL

ITA ----- ITALY

KOR ----- KOREA

MEX---- MEXICO

NZ ----- NEW ZEALAND

PHL----- PHILIPPINES

PND ----- PAN-NORDIC

(NORWAY/FINLAND/DENMARK/
SWEDEN)

POL ----- POLAND

RUS---- RUSSIAN FEDERATION

SWI ----- SWITZERLAND

TUR ----- TURKEY

TWN-----TAIWAN

UK ----- UNITED KINGDOM

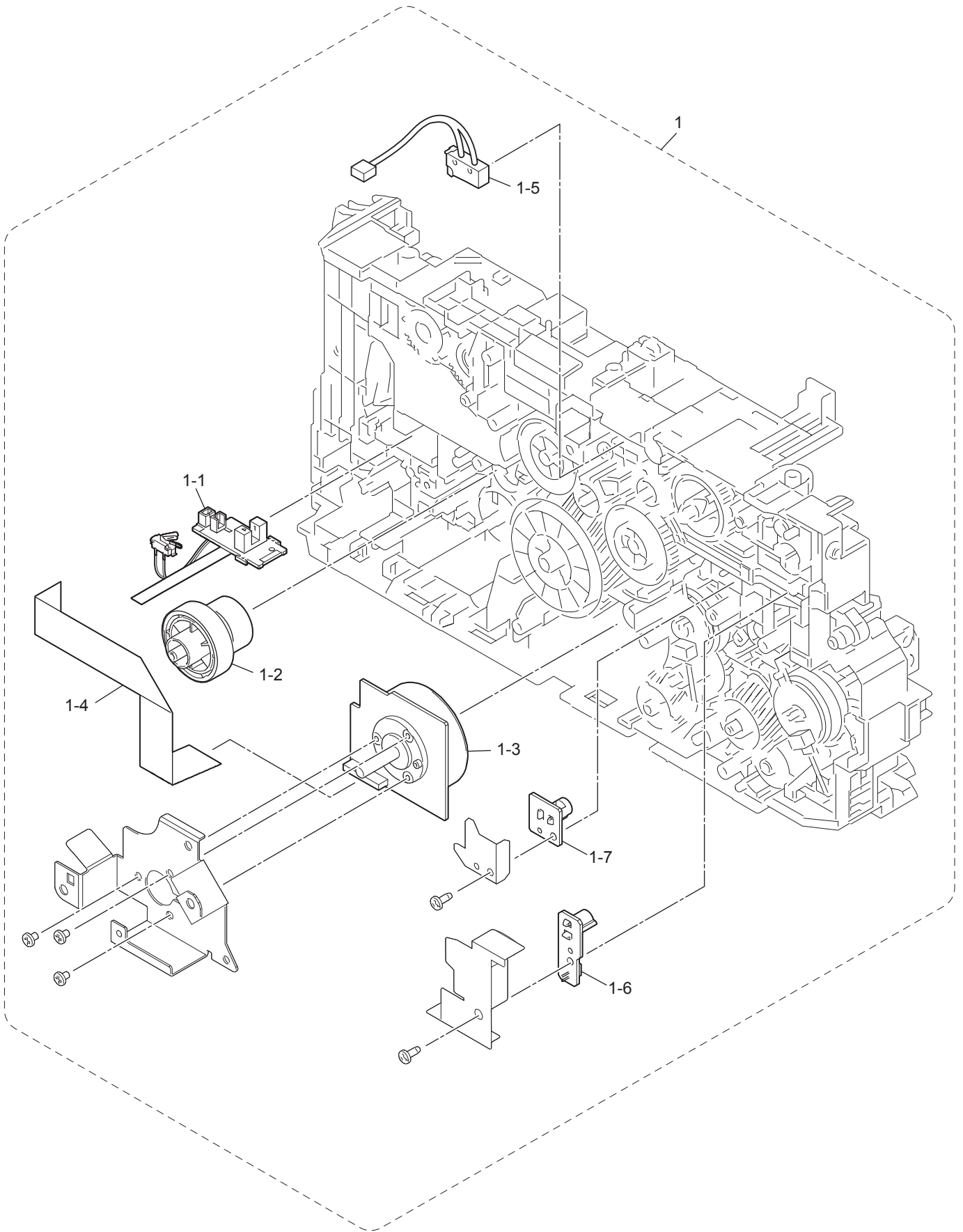
USA ----- U.S.A.

VNM/IDN----- VIETNAM/ INDONESIA

CONTENTS

1. FRAME L & DRIVE UNIT
2. PAPER FEEDER
3. FRAME
4. LASER UNIT
5. DX
6. PAPER CASSETTE
7. FUSER UNIT
8. COVERS& LABELS
9. DOCUMENT SCANNER
10. ADF & DOCUMENT COVER
11. PANEL
12. PCB
13. ACCESSORIES
14. PACKING MATERIALS

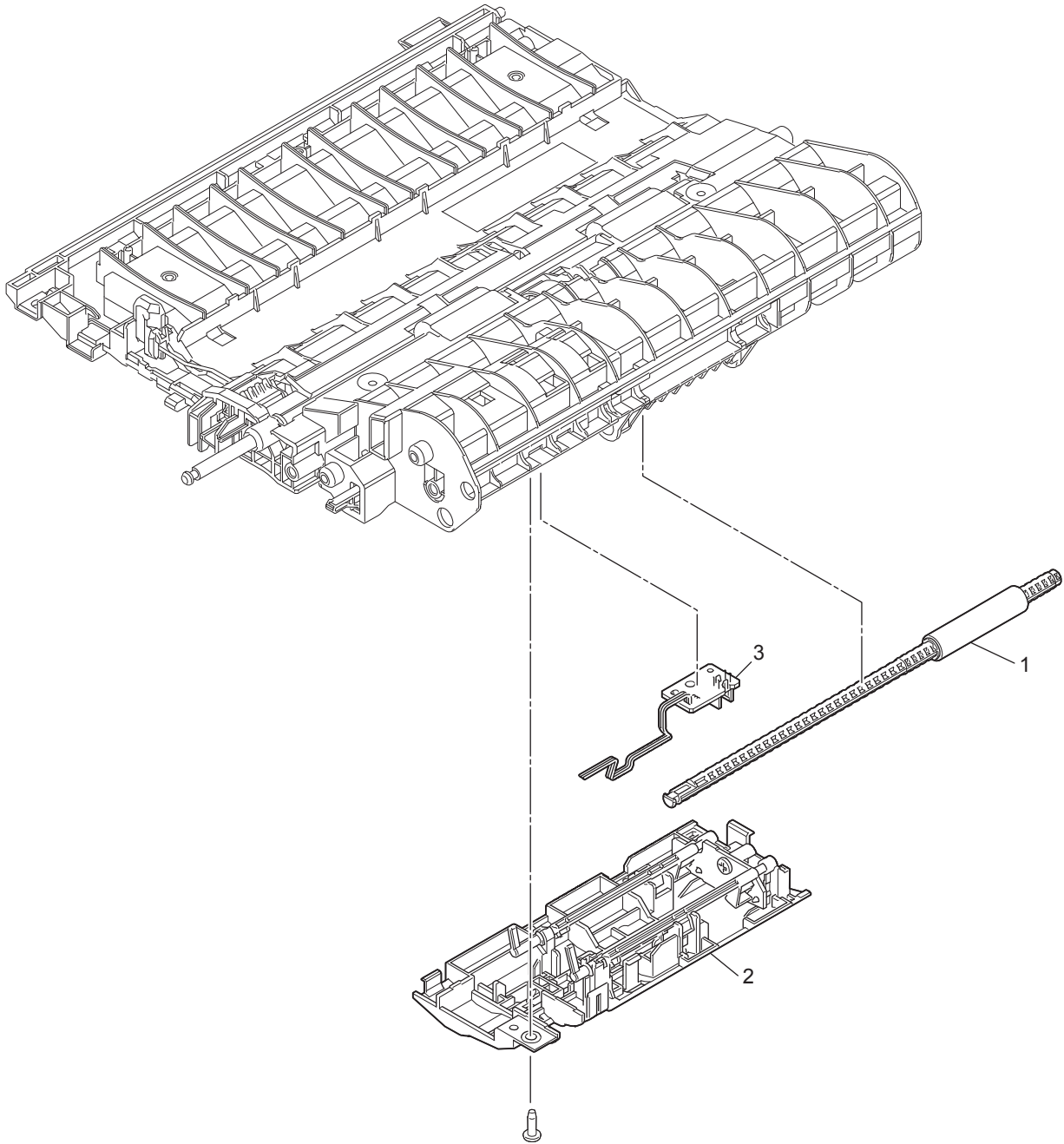
1. FRAME L&DRIVE UNIT



1. FRAME L&DRIVE UNIT

REF No.	CODE	Q'TY	DESCRIPTION	MODEL	SPEC	REMARKS
1	D00WX9001	1	FRAME L UNIT SP	DCP-7090DW		
1	D00WXD001	1	FRAME L UNIT SP	DCP-7190DW		
1	D00WXE001	1	FRAME L UNIT SP	DCP-7195DW		
1	D00WXA001	1	FRAME L UNIT SP	DCP-B7500D		
1	D00WXC001	1	FRAME L UNIT SP	DCP-B7520DW		
1	D00WXC001	1	FRAME L UNIT SP	DCP-B7530DN		
1	D00WXC001	1	FRAME L UNIT SP	DCP-B7535DW		
1	D00WX9001	1	FRAME L UNIT SP	DCP-L2510D		
1	D00WX9001	1	FRAME L UNIT SP	DCP-L2512D		
1	D00WX9001	1	FRAME L UNIT SP	DCP-L2530DW		
1	D00WX9001	1	FRAME L UNIT SP	DCP-L2531DW		
1	D00WX9001	1	FRAME L UNIT SP	DCP-L2532DW		
1	D00WX9001	1	FRAME L UNIT SP	DCP-L2535D		
1	D00WX9001	1	FRAME L UNIT SP	DCP-L2535DW		
1	D00WX9001	1	FRAME L UNIT SP	DCP-L2537DW		
1	D00WXD001	1	FRAME L UNIT SP	DCP-L2550DN		
1	D00WXD001	1	FRAME L UNIT SP	DCP-L2550DW		
1	D00WXD001	1	FRAME L UNIT SP	DCP-L2551DN		
1	D00WXD001	1	FRAME L UNIT SP	DCP-L2551DW		
1	D00WXD001	1	FRAME L UNIT SP	DCP-L2552DN		
1	D00WX9001	1	FRAME L UNIT SP	HL-L2390DW		
1	D00WXD001	1	FRAME L UNIT SP	HL-L2395DW		
1	D00WXE001	1	FRAME L UNIT SP	MFC-7895DW		
1	D00WXA001	1	FRAME L UNIT SP	MFC-B7700D		
1	D00WXC001	1	FRAME L UNIT SP	MFC-B7715DW		
1	D00WXC001	1	FRAME L UNIT SP	MFC-B7720DN		
1	D00WX9001	1	FRAME L UNIT SP	MFC-L2690DW		
1	D00WX9001	1	FRAME L UNIT SP	MFC-L2690DWXL		
1	D00WXD001	1	FRAME L UNIT SP	MFC-L2710DN		
1	D00WXD001	1	FRAME L UNIT SP	MFC-L2710DW		
1	D00WXD001	1	FRAME L UNIT SP	MFC-L2712DN		
1	D00WXD001	1	FRAME L UNIT SP	MFC-L2712DW		
1	D00WXD001	1	FRAME L UNIT SP	MFC-L2713DW		
1	D00WXD001	1	FRAME L UNIT SP	MFC-L2715DW		
1	D00WXD001	1	FRAME L UNIT SP	MFC-L2716DW		
1	D00WXD001	1	FRAME L UNIT SP	MFC-L2717DW		
1	D00WXD001	1	FRAME L UNIT SP	MFC-L2730DW		
1	D00WXD001	1	FRAME L UNIT SP	MFC-L2732DW		
1	D00WXD001	1	FRAME L UNIT SP	MFC-L2750DW		
1	D00WXD001	1	FRAME L UNIT SP	MFC-L2750DWXL		
1	D00WXD001	1	FRAME L UNIT SP	MFC-L2751DW		
1	D00WXD001	1	FRAME L UNIT SP	MFC-L2752DW		
1	D00WXE001	1	FRAME L UNIT SP	MFC-L2770DW		
1	D00WXE001	1	FRAME L UNIT SP	MFC-L2771DW		
1-1	LV1288001	1	EJECT SENSOR PCB ASSY			
1-2	D00ALH001	1	FUSER GEAR 64R/36R			
1-3	D00AN7001	1	MAIN MOTOR			
1-4	D00G2C001	1	MAIN MOTOR FLAT CABLE			
1-5	D00ASE001	1	FRONT COVER SENSOR			
1-6	D00F1H001	1	TONER BOX NEW PCB ASSY	DCP-B7500D		
1-6	D00F1H001	1	TONER BOX NEW PCB ASSY	DCP-B7520DW		
1-6	D00F1H001	1	TONER BOX NEW PCB ASSY	DCP-B7530DN		
1-6	D00F1H001	1	TONER BOX NEW PCB ASSY	DCP-B7535DW		
1-6	D00F1H001	1	TONER BOX NEW PCB ASSY	MFC-B7700D		
1-6	D00F1H001	1	TONER BOX NEW PCB ASSY	MFC-B7715DW		
1-6	D00F1H001	1	TONER BOX NEW PCB ASSY	MFC-B7720DN		
1-7	D00KH4001	1	TONER SENSOR PCB ASSY	DCP-B7500D		
1-7	D00KH4001	1	TONER SENSOR PCB ASSY	DCP-B7520DW		
1-7	D00KH4001	1	TONER SENSOR PCB ASSY	DCP-B7530DN		
1-7	D00KH4001	1	TONER SENSOR PCB ASSY	DCP-B7535DW		
1-7	D00KH4001	1	TONER SENSOR PCB ASSY	MFC-B7700D		
1-7	D00KH4001	1	TONER SENSOR PCB ASSY	MFC-B7715DW		
1-7	D00KH4001	1	TONER SENSOR PCB ASSY	MFC-B7720DN		

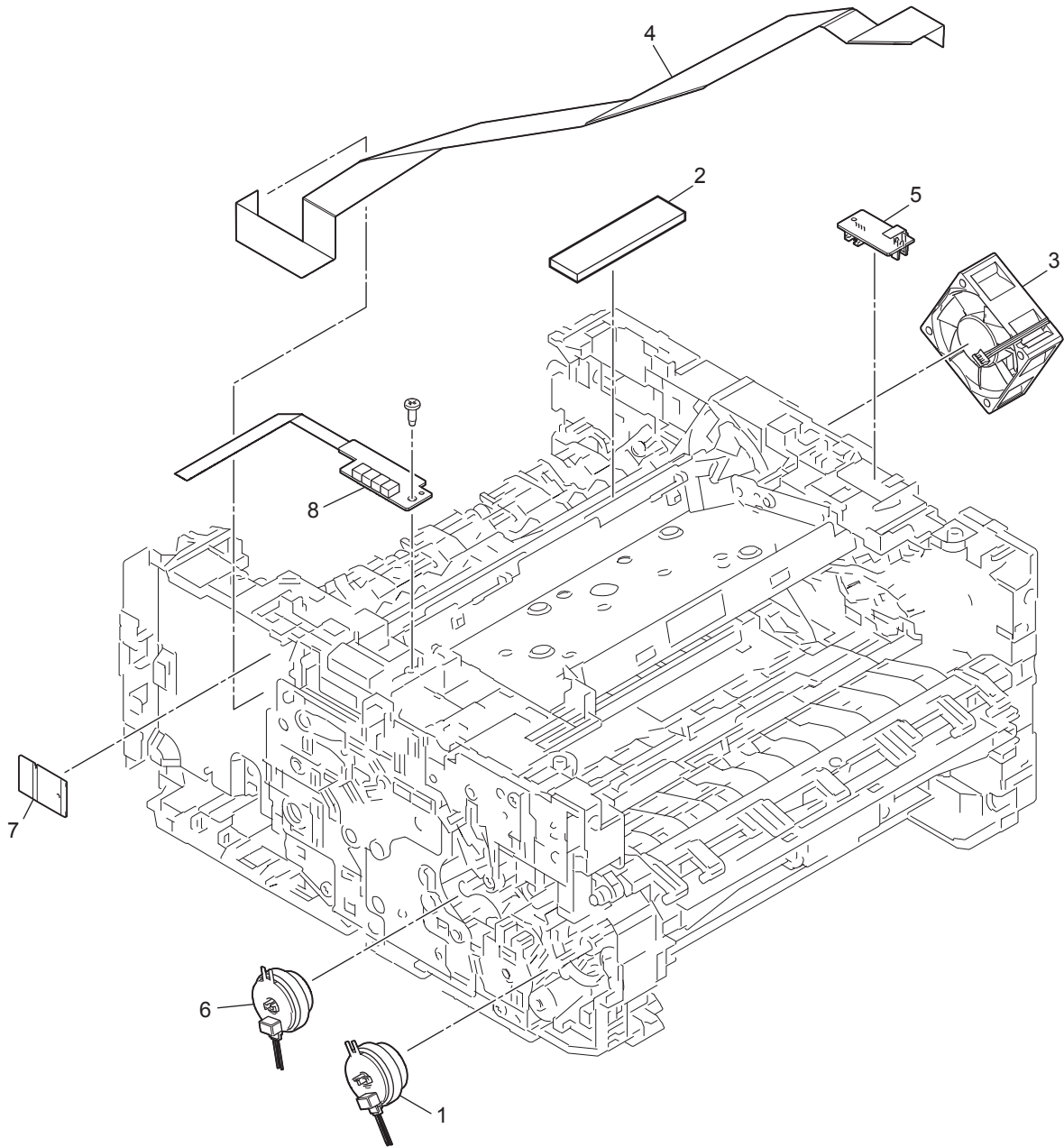
2. PAPER FEEDER



2. PAPER FEEDER

REF No.	CODE	Q'TY	DESCRIPTION	MODEL	SPEC	REMARKS
1	D00VXM001	1	FEED ROLLER ASSY SP			
2	D00AGU001	1	REGISTRATION FRONT/REAR ACTUATOR NLDDER ASSY			
3	D0105W001	1	PAPER EDGE SENSOR (SP)			chg

3. FRAME



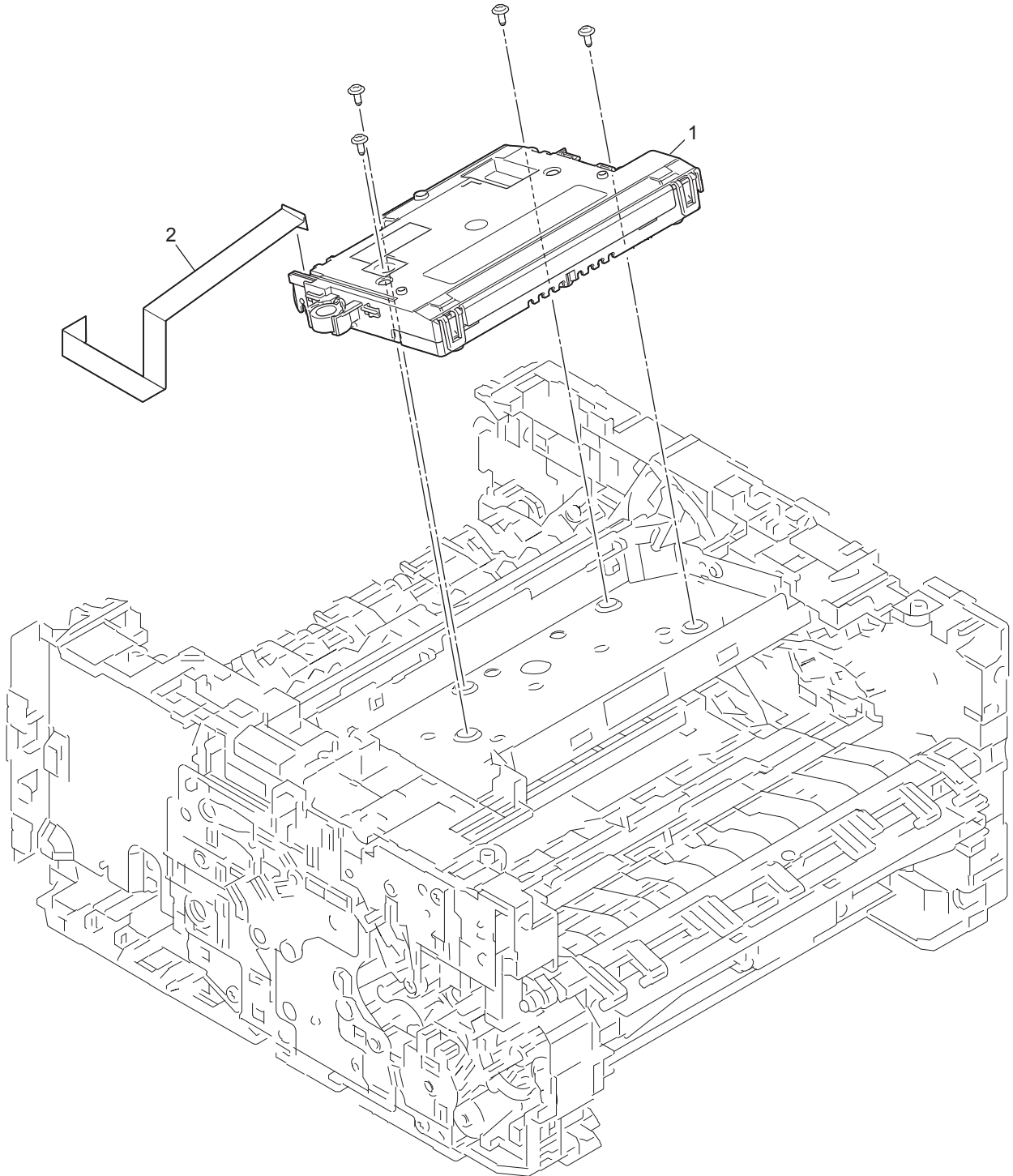
3. FRAME

REF No.	CODE	Q'TY	DESCRIPTION	MODEL	SPEC	REMARKS
1	D00APE001	1	T1 CLUTCH			
2	D00HB6001	1	FILTER			
3	LY9348001	1	FAN			
4	D00ASJ001	1	HVPS FLAT CABLE			
5	D00ASF001	1	NEW TONER SENSOR PCB ASSY			
6	D00APK001	1	REGISTRATION CLUTCH ASSY	DCP-7090DW		
6	D00APK001	1	REGISTRATION CLUTCH ASSY	DCP-7190DW		
6	D00F2L001	1	REGISTRATION CLUTCH ASSY	DCP-7195DW		
6	D00APK001	1	REGISTRATION CLUTCH ASSY	DCP-B7500D		
6	D00APK001	1	REGISTRATION CLUTCH ASSY	DCP-B7520DW		
6	D00APK001	1	REGISTRATION CLUTCH ASSY	DCP-B7530DN		
6	D00APK001	1	REGISTRATION CLUTCH ASSY	DCP-B7535DW		
6	D00APK001	1	REGISTRATION CLUTCH ASSY	DCP-L2510D		
6	D00APK001	1	REGISTRATION CLUTCH ASSY	DCP-L2512D		
6	D00APK001	1	REGISTRATION CLUTCH ASSY	DCP-L2530DW		
6	D00APK001	1	REGISTRATION CLUTCH ASSY	DCP-L2531DW		
6	D00APK001	1	REGISTRATION CLUTCH ASSY	DCP-L2532DW		
6	D00APK001	1	REGISTRATION CLUTCH ASSY	DCP-L2535D		
6	D00APK001	1	REGISTRATION CLUTCH ASSY	DCP-L2535DW		
6	D00APK001	1	REGISTRATION CLUTCH ASSY	DCP-L2537DW		
6	D00APK001	1	REGISTRATION CLUTCH ASSY	DCP-L2550DN		
6	D00APK001	1	REGISTRATION CLUTCH ASSY	DCP-L2550DW		
6	D00APK001	1	REGISTRATION CLUTCH ASSY	DCP-L2551DN		
6	D00APK001	1	REGISTRATION CLUTCH ASSY	DCP-L2551DW		
6	D00APK001	1	REGISTRATION CLUTCH ASSY	DCP-L2552DN		
6	D00APK001	1	REGISTRATION CLUTCH ASSY	HL-L2390DW		
6	D00APK001	1	REGISTRATION CLUTCH ASSY	HL-L2395DW		
6	D00F2L001	1	REGISTRATION CLUTCH ASSY	MFC-7895DW		
6	D00APK001	1	REGISTRATION CLUTCH ASSY	MFC-B7700D		
6	D00APK001	1	REGISTRATION CLUTCH ASSY	MFC-B7715DW		
6	D00APK001	1	REGISTRATION CLUTCH ASSY	MFC-B7720DN		
6	D00APK001	1	REGISTRATION CLUTCH ASSY	MFC-L2690DW		
6	D00APK001	1	REGISTRATION CLUTCH ASSY	MFC-L2690DWXL		
6	D00APK001	1	REGISTRATION CLUTCH ASSY	MFC-L2710DN		
6	D00APK001	1	REGISTRATION CLUTCH ASSY	MFC-L2710DW		
6	D00APK001	1	REGISTRATION CLUTCH ASSY	MFC-L2712DN		
6	D00APK001	1	REGISTRATION CLUTCH ASSY	MFC-L2712DW		
6	D00APK001	1	REGISTRATION CLUTCH ASSY	MFC-L2713DW		
6	D00APK001	1	REGISTRATION CLUTCH ASSY	MFC-L2715DW		
6	D00APK001	1	REGISTRATION CLUTCH ASSY	MFC-L2716DW		
6	D00APK001	1	REGISTRATION CLUTCH ASSY	MFC-L2717DW		
6	D00APK001	1	REGISTRATION CLUTCH ASSY	MFC-L2730DW		
6	D00APK001	1	REGISTRATION CLUTCH ASSY	MFC-L2732DW		
6	D00APK001	1	REGISTRATION CLUTCH ASSY	MFC-L2750DW		
6	D00APK001	1	REGISTRATION CLUTCH ASSY	MFC-L2750DWXL		
6	D00APK001	1	REGISTRATION CLUTCH ASSY	MFC-L2751DW		
6	D00APK001	1	REGISTRATION CLUTCH ASSY	MFC-L2752DW		
6	D00F2L001	1	REGISTRATION CLUTCH ASSY	MFC-L2770DW		
6	D00F2L001	1	REGISTRATION CLUTCH ASSY	MFC-L2771DW		
7	LD1969001	1	WIRELESS LAN PCB ASSY	DCP-7090DW		
7	LD1969001	1	WIRELESS LAN PCB ASSY	DCP-7190DW		
7	LD1969001	1	WIRELESS LAN PCB ASSY	DCP-7195DW		
7	LD1969001	1	WIRELESS LAN PCB ASSY	DCP-B7520DW		
7	LD1969001	1	WIRELESS LAN PCB ASSY	DCP-B7535DW		
7	LD1969001	1	WIRELESS LAN PCB ASSY	DCP-L2530DW		
7	LD1969001	1	WIRELESS LAN PCB ASSY	DCP-L2531DW		
7	LD1969001	1	WIRELESS LAN PCB ASSY	DCP-L2532DW		
7	LD1969001	1	WIRELESS LAN PCB ASSY	DCP-L2535DW		
7	LD1969001	1	WIRELESS LAN PCB ASSY	DCP-L2537DW		
7	LD1969001	1	WIRELESS LAN PCB ASSY	DCP-L2550DW		
7	LD1969001	1	WIRELESS LAN PCB ASSY	DCP-L2551DW		
7	LD1969001	1	WIRELESS LAN PCB ASSY	HL-L2390DW		
7	LD1969001	1	WIRELESS LAN PCB ASSY	HL-L2395DW		
7	LD1969001	1	WIRELESS LAN PCB ASSY	MFC-7895DW		
7	LD1969001	1	WIRELESS LAN PCB ASSY	MFC-B7715DW		

3. FRAME

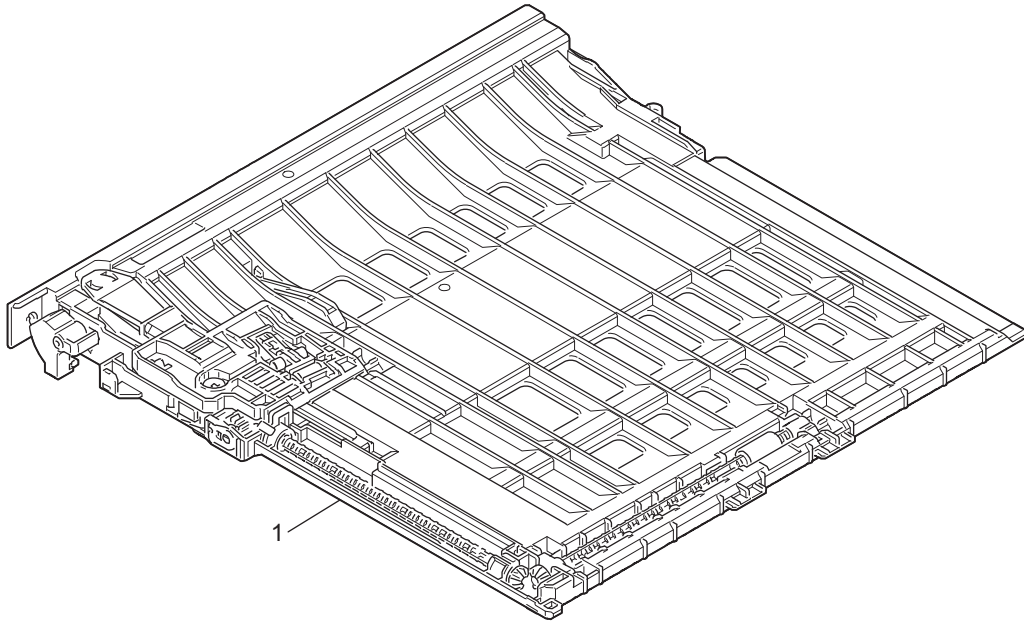
REF No.	CODE	Q'TY	DESCRIPTION	MODEL	SPEC	REMARKS
7	LD1969001	1	WIRELESS LAN PCB ASSY	MFC-L2690DW		
7	LD1969001	1	WIRELESS LAN PCB ASSY	MFC-L2690DWXL		
7	LD1969001	1	WIRELESS LAN PCB ASSY	MFC-L2710DW		
7	LD1969001	1	WIRELESS LAN PCB ASSY	MFC-L2712DW		
7	LD1969001	1	WIRELESS LAN PCB ASSY	MFC-L2713DW		
7	LD1969001	1	WIRELESS LAN PCB ASSY	MFC-L2715DW		
7	LD1969001	1	WIRELESS LAN PCB ASSY	MFC-L2716DW		
7	LD1969001	1	WIRELESS LAN PCB ASSY	MFC-L2717DW		
7	LD1969001	1	WIRELESS LAN PCB ASSY	MFC-L2730DW		
7	LD1969001	1	WIRELESS LAN PCB ASSY	MFC-L2732DW		
7	LD1969001	1	WIRELESS LAN PCB ASSY	MFC-L2750DW		
7	LD1969001	1	WIRELESS LAN PCB ASSY	MFC-L2750DWXL		
7	LD1969001	1	WIRELESS LAN PCB ASSY	MFC-L2751DW		
7	LD1969001	1	WIRELESS LAN PCB ASSY	MFC-L2752DW		
7	LD1969001	1	WIRELESS LAN PCB ASSY	MFC-L2770DW		
7	LD1969001	1	WIRELESS LAN PCB ASSY	MFC-L2771DW		
8	D00AST001	1	RELAY PCB ASSY	DCP-7195DW		ADD
8	D00ASS001	1	RELAY PCB ASSY	DCP-B7500D		CHG
8	D00ASS001	1	RELAY PCB ASSY	DCP-B7520DW		CHG
8	D00ASS001	1	RELAY PCB ASSY	DCP-B7530DN		CHG
8	D00ASS001	1	RELAY PCB ASSY	DCP-B7535DW		CHG
8	D00AST001	1	RELAY PCB ASSY	MFC-7895DW		ADD
8	D00ASS001	1	RELAY PCB ASSY	MFC-B7700D		CHG
8	D00ASS001	1	RELAY PCB ASSY	MFC-B7715DW		CHG
8	D00ASS001	1	RELAY PCB ASSY	MFC-B7720DN		CHG
8	D00AST001	1	RELAY PCB ASSY	MFC-L2770DW		ADD
8	D00AST001	1	RELAY PCB ASSY	MFC-L2771DW		ADD

4. LASER UNIT



4. LASER UNIT

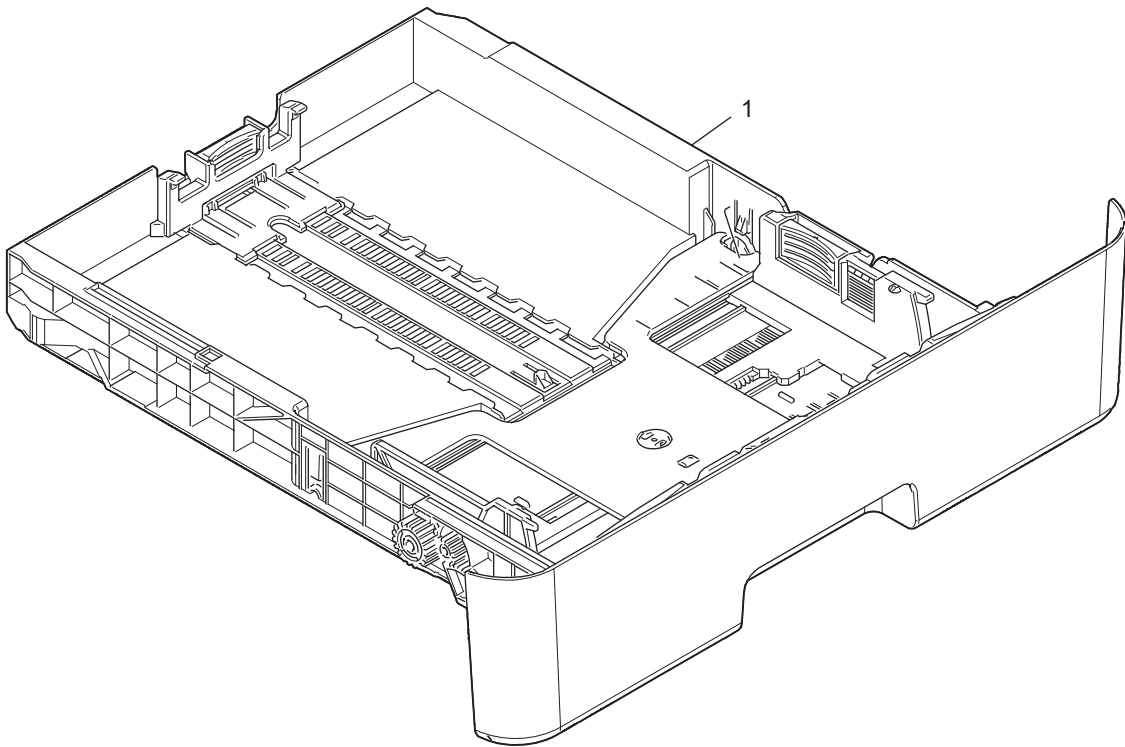
REF No.	CODE	Q'TY	DESCRIPTION	MODEL	SPEC	REMARKS
1	D008ZW001	1	LASER UNIT (SP)	DCP-7090DW		
1	D008ZW001	1	LASER UNIT (SP)	DCP-7190DW		
1	D008ZW001	1	LASER UNIT (SP)	DCP-7195DW		
1	D008ZW001	1	LASER UNIT (SP)	DCP-B7500D	FOR CHN	
1	D00KF0001	1	LASER UNIT (SP)	DCP-B7500D	FOR IND	
1	D008ZW001	1	LASER UNIT (SP)	DCP-B7520DW		
1	D008ZW001	1	LASER UNIT (SP)	DCP-B7530DN		
1	D00KF0001	1	LASER UNIT (SP)	DCP-B7535DW	FOR IND	
1	D008ZW001	1	LASER UNIT (SP)	DCP-B7535DW	FOR VNM/IDN/CHN/BRA/MEX	
1	D00KEZ001	1	LASER UNIT (SP)	DCP-L2510D		
1	D00KEZ001	1	LASER UNIT (SP)	DCP-L2512D		
1	D00KEZ001	1	LASER UNIT (SP)	DCP-L2530DW		
1	D008ZX001	1	LASER UNIT (SP)	DCP-L2531DW		
1	D00KEZ001	1	LASER UNIT (SP)	DCP-L2532DW		
1	D008ZW001	1	LASER UNIT (SP)	DCP-L2535D		
1	D008ZW001	1	LASER UNIT (SP)	DCP-L2535DW		
1	D00KEZ001	1	LASER UNIT (SP)	DCP-L2537DW		
1	D008ZW001	1	LASER UNIT (SP)	DCP-L2550DN		
1	D008ZW001	1	LASER UNIT (SP)	DCP-L2550DW		
1	D008ZW001	1	LASER UNIT (SP)	DCP-L2551DN		
1	D008ZW001	1	LASER UNIT (SP)	DCP-L2551DW		chg
1	D008ZW001	1	LASER UNIT (SP)	DCP-L2552DN		
1	D00KEZ001	1	LASER UNIT (SP)	HL-L2390DW		
1	D008ZW001	1	LASER UNIT (SP)	HL-L2395DW		
1	D008ZW001	1	LASER UNIT (SP)	MFC-7895DW		
1	D008ZW001	1	LASER UNIT (SP)	MFC-B7700D		
1	D00KF0001	1	LASER UNIT (SP)	MFC-B7715DW	FOR IND	
1	D008ZW001	1	LASER UNIT (SP)	MFC-B7715DW	FOR VNM/IDN/POL/CEE	
1	D008ZW001	1	LASER UNIT (SP)	MFC-B7720DN		
1	D00KEZ001	1	LASER UNIT (SP)	MFC-L2690DW		
1	D00KEZ001	1	LASER UNIT (SP)	MFC-L2690DWXL		
1	D00KEZ001	1	LASER UNIT (SP)	MFC-L2710DN		
1	D00KEZ001	1	LASER UNIT (SP)	MFC-L2710DW		
1	D00KEZ001	1	LASER UNIT (SP)	MFC-L2712DN		
1	D00KEZ001	1	LASER UNIT (SP)	MFC-L2712DW		
1	D008ZW001	1	LASER UNIT (SP)	MFC-L2713DW		
1	D008ZW001	1	LASER UNIT (SP)	MFC-L2715DW		
1	D008ZW001	1	LASER UNIT (SP)	MFC-L2716DW		
1	D008ZW001	1	LASER UNIT (SP)	MFC-L2717DW		
1	D008ZW001	1	LASER UNIT (SP)	MFC-L2730DW		
1	D008ZW001	1	LASER UNIT (SP)	MFC-L2732DW		
1	D008ZW001	1	LASER UNIT (SP)	MFC-L2750DW		
1	D008ZW001	1	LASER UNIT (SP)	MFC-L2750DWXL		
1	D008ZW001	1	LASER UNIT (SP)	MFC-L2751DW		
1	D008ZW001	1	LASER UNIT (SP)	MFC-L2752DW		
1	D008ZW001	1	LASER UNIT (SP)	MFC-L2770DW		
1	D008ZW001	1	LASER UNIT (SP)	MFC-L2771DW		
2	D00916001	1	LASER UNIT FLAT CABLE			



5. DX

REF No.	CODE	Q'TY	DESCRIPTION	MODEL	SPEC	REMARKS
1	D00HYA005	1	DUPLEX TRAY	DCP-7090DW		
1	D00HYA005	1	DUPLEX TRAY	DCP-7190DW		
1	D00HYA003	1	DUPLEX TRAY	DCP-7195DW		chg
1	D00HYA003	1	DUPLEX TRAY	DCP-B7500D	FOR CHN	chg
1	D008U1003	1	DUPLEX TRAY	DCP-B7500D	FOR IND	chg
1	D008U1003	1	DUPLEX TRAY	DCP-B7520DW	FOR CEE	chg
1	D00HYA003	1	DUPLEX TRAY	DCP-B7520DW	FOR CHN	chg
1	D008TT003	1	DUPLEX TRAY	DCP-B7520DW	FOR BRA	
1	D00HYA003	1	DUPLEX TRAY	DCP-B7530DN		chg
1	D008U1003	1	DUPLEX TRAY	DCP-B7535DW	FOR VNM/IDN/IND	chg
1	D008TT003	1	DUPLEX TRAY	DCP-B7535DW	FOR BRA/MEX	
1	D00HYA003	1	DUPLEX TRAY	DCP-B7535DW	FOR CHN	chg
1	D008U1001	1	DUPLEX TRAY	DCP-L2510D		chg
1	D008U1001	1	DUPLEX TRAY	DCP-L2512D		chg
1	D008U1001	1	DUPLEX TRAY	DCP-L2530DW		chg
1	D008U1001	1	DUPLEX TRAY	DCP-L2531DW		chg
1	D008U1001	1	DUPLEX TRAY	DCP-L2532DW		chg
1	D008U1001	1	DUPLEX TRAY	DCP-L2535D		chg
1	D00HYA001	1	DUPLEX TRAY	DCP-L2535DW	FOR CHN	
1	D008U1001	1	DUPLEX TRAY	DCP-L2535DW	FOR ASA	chg
1	D008U1001	1	DUPLEX TRAY	DCP-L2537DW		chg
1	D008U1005	1	DUPLEX TRAY	DCP-L2550DN		chg
1	D00HYA001	1	DUPLEX TRAY	DCP-L2550DW	FOR CHN	
1	D008TT001	1	DUPLEX TRAY	DCP-L2550DW	FOR PHL/USA/CAN	chg
1	D008U1001	1	DUPLEX TRAY	DCP-L2550DW	FOR ASA	chg
1	D008U1005	1	DUPLEX TRAY	DCP-L2551DN		chg
1	D008TT001	1	DUPLEX TRAY	DCP-L2551DW		chg
1	D008U1005	1	DUPLEX TRAY	DCP-L2552DN		chg
1	D008TT001	1	DUPLEX TRAY	HL-L2390DW		chg
1	D008TT005	1	DUPLEX TRAY	HL-L2395DW	FOR USA/CAN	chg
1	D008U1005	1	DUPLEX TRAY	HL-L2395DW	FOR ARL	chg
1	D00HYA003	1	DUPLEX TRAY	MFC-7895DW		chg
1	D00HYA003	1	DUPLEX TRAY	MFC-B7700D		chg
1	D008U1003	1	DUPLEX TRAY	MFC-B7715DW		chg
1	D00HYA003	1	DUPLEX TRAY	MFC-B7720DN		chg
1	D008TT001	1	DUPLEX TRAY	MFC-L2690DW		chg
1	D008TT001	1	DUPLEX TRAY	MFC-L2690DWXL		chg
1	D008U1001	1	DUPLEX TRAY	MFC-L2710DN		chg
1	D008TT001	1	DUPLEX TRAY	MFC-L2710DW	FOR USA/CAN	chg
1	D008U1001	1	DUPLEX TRAY	MFC-L2710DW	FOR GER/UK/FRA/ARL/BEL/NLD/ SWI/ITA/ISR/PND/IBE	chg
1	D008U1001	1	DUPLEX TRAY	MFC-L2712DN		chg
1	D008U1001	1	DUPLEX TRAY	MFC-L2712DW		chg
1	D008U1001	1	DUPLEX TRAY	MFC-L2713DW		chg
1	D008U1001	1	DUPLEX TRAY	MFC-L2715DW		chg
1	D008U1001	1	DUPLEX TRAY	MFC-L2716DW		chg
1	D008TT001	1	DUPLEX TRAY	MFC-L2717DW		chg
1	D008U1005	1	DUPLEX TRAY	MFC-L2730DW	FOR GER/UK/ARL/SWI/ITA/IBE/ FRA/BEL/NLD/PND	chg
1	D008TT005	1	DUPLEX TRAY	MFC-L2730DW	FOR USA/CAN	chg
1	D008U1005	1	DUPLEX TRAY	MFC-L2732DW		chg
1	D008TT005	1	DUPLEX TRAY	MFC-L2750DW	FOR PHL/USA/CAN	chg
1	D008U1005	1	DUPLEX TRAY	MFC-L2750DW	FOR ASA/GER/UK/ARL/SWI/ITA/ IBE/FRA/BEL/NLD/PND	chg
1	D008TT005	1	DUPLEX TRAY	MFC-L2750DWXL		chg
1	D008U1005	1	DUPLEX TRAY	MFC-L2751DW		chg
1	D008U1005	1	DUPLEX TRAY	MFC-L2752DW		chg
1	D008U1003	1	DUPLEX TRAY	MFC-L2770DW	FOR TWN/ASA/KOR/NZ	chg
1	D008TT003	1	DUPLEX TRAY	MFC-L2770DW	FOR PHL	chg
1	D008U1003	1	DUPLEX TRAY	MFC-L2771DW		chg

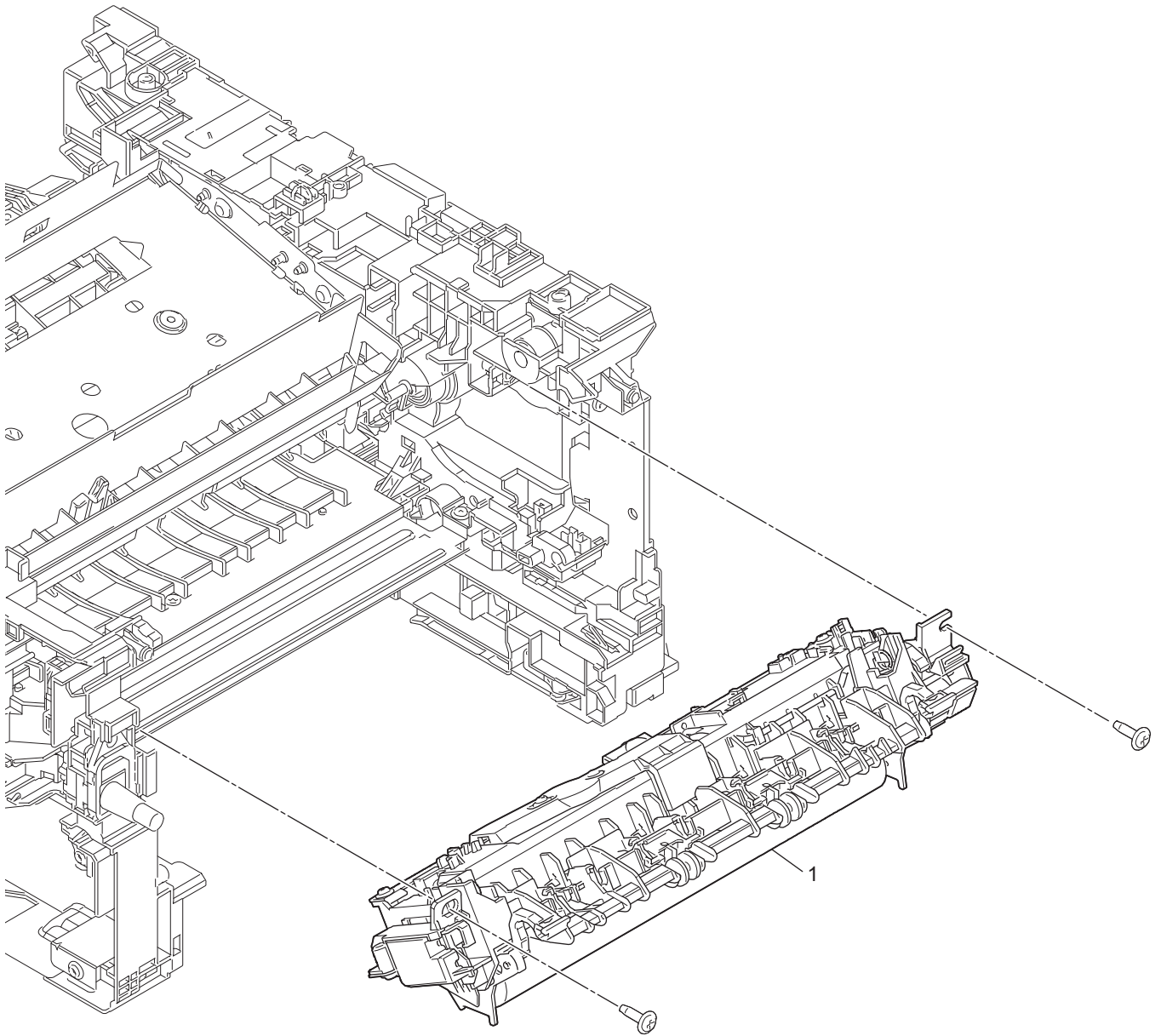
6. PAPER CASSETTE



6. PAPER CASSETTE

REF No.	CODE	Q'TY	DESCRIPTION	MODEL	SPEC	REMARKS
1	D00CTT005	1	PAPER TRAY UNIT	DCP-7090DW		
1	D00CTT005	1	PAPER TRAY UNIT	DCP-7190DW		
1	D00NWL003	1	PAPER TRAY UNIT MP A4	DCP-7195DW		
1	D00CTT003	1	PAPER TRAY UNIT A4	DCP-B7500D	FOR CHN	
1	D00AR5003	1	PAPER TRAY UNIT	DCP-B7500D	FOR IND	
1	D00AR5003	1	PAPER TRAY UNIT	DCP-B7520DW	FOR BRA	
1	D00CTT003	1	PAPER TRAY UNIT A4	DCP-B7520DW	FOR CHN	
1	D00HEA003	1	PAPER TRAY UNIT A4	DCP-B7520DW	FOR CEE	
1	D00CTT003	1	PAPER TRAY UNIT A4	DCP-B7530DN		
1	D00CTT003	1	PAPER TRAY UNIT A4	DCP-B7535DW	FOR CHN	
1	D00AR5003	1	PAPER TRAY UNIT	DCP-B7535DW	FOR VNM/IDN/BRA/IND/MEX	
1	D00HEA001	1	PAPER TRAY UNIT A4	DCP-L2510D		
1	D00HEA001	1	PAPER TRAY UNIT A4	DCP-L2512D		
1	D00HEA001	1	PAPER TRAY UNIT A4	DCP-L2530DW		
1	D00AR5001	1	PAPER TRAY UNIT	DCP-L2531DW		
1	D00HEA001	1	PAPER TRAY UNIT A4	DCP-L2532DW		
1	D00AR5001	1	PAPER TRAY UNIT	DCP-L2535D		
1	D00CTT001	1	PAPER TRAY UNIT	DCP-L2535DW	FOR CHN	
1	D00AR5001	1	PAPER TRAY UNIT	DCP-L2535DW	FOR ASA	
1	D00HEA001	1	PAPER TRAY UNIT A4	DCP-L2537DW		
1	D00HEA005	1	PAPER TRAY UNIT A4	DCP-L2550DN		
1	D00CTT001	1	PAPER TRAY UNIT	DCP-L2550DW	FOR CHN	
1	D00AR5001	1	PAPER TRAY UNIT	DCP-L2550DW	FOR PHL/ASA/USA/CAN	
1	D00HEA005	1	PAPER TRAY UNIT A4	DCP-L2551DN		
1	D00AR5001	1	PAPER TRAY UNIT	DCP-L2551DW		
1	D00HEA005	1	PAPER TRAY UNIT A4	DCP-L2552DN		
1	D00AR5001	1	PAPER TRAY UNIT	HL-L2390DW		
1	D00AR5005	1	PAPER TRAY UNIT	HL-L2395DW	FOR USA/CAN	
1	D00HEA005	1	PAPER TRAY UNIT A4	HL-L2395DW	FOR ARL	
1	D00NWL003	1	PAPER TRAY UNIT MP A4	MFC-7895DW		
1	D00CTT003	1	PAPER TRAY UNIT A4	MFC-B7700D		
1	D00HEA003	1	PAPER TRAY UNIT A4	MFC-B7715DW	FOR POL/CEE	
1	D00AR5003	1	PAPER TRAY UNIT	MFC-B7715DW	FOR VNM/IDN/IND	
1	D00CTT003	1	PAPER TRAY UNIT A4	MFC-B7720DN		
1	D00AR5001	1	PAPER TRAY UNIT	MFC-L2690DW		
1	D00AR5001	1	PAPER TRAY UNIT	MFC-L2690DWXL		
1	D00HEA001	1	PAPER TRAY UNIT A4	MFC-L2710DN		
1	D00AR5001	1	PAPER TRAY UNIT	MFC-L2710DW	FOR USA/CAN	
1	D00HEA001	1	PAPER TRAY UNIT A4	MFC-L2710DW	FOR GER/UK/FRA/ARL/BEL/NLD/ SWI/ITA/ISR/PND/IBE	
1	D00HEA001	1	PAPER TRAY UNIT A4	MFC-L2712DN		
1	D00HEA001	1	PAPER TRAY UNIT A4	MFC-L2712DW		
1	D00HEA001	1	PAPER TRAY UNIT A4	MFC-L2713DW		
1	D00HEA001	1	PAPER TRAY	MFC-L2715DW	FOR TWN/KOR	
1	D00AR5001	1	PAPER TRAY	MFC-L2715DW	FOR ASA	
1	D00HEA001	1	PAPER TRAY	MFC-L2716DW		
1	D00AR5001	1	PAPER TRAY UNIT	MFC-L2717DW		
1	D00HEA005	1	PAPER TRAY	MFC-L2730DW	FOR GER/UK/ARL/SWI/ITA/IBE/ FRA/BEL/NLD/PND	
1	D00AR5005	1	PAPER TRAY UNIT	MFC-L2730DW	FOR USA/CAN	
1	D00HEA005	1	PAPER TRAY	MFC-L2732DW		
1	D00AR5005	1	PAPER TRAY	MFC-L2750DW	FOR PHL/ASA/USA/CAN	
1	D00HEA005	1	PAPER TRAY	MFC-L2750DW	FOR GER/UK/ARL/SWI/ITA/IBE/ FRA/BEL/NLD/PND	
1	D00AR5005	1	PAPER TRAY	MFC-L2750DWXL		
1	D00HEA005	1	PAPER TRAY	MFC-L2751DW		
1	D00HEA005	1	PAPER TRAY	MFC-L2752DW		
1	D00NWK003	1	PAPER TRAY	MFC-L2770DW	FOR TWN/KOR/NZ	
1	D00AR6003	1	PAPER TRAY	MFC-L2770DW	FOR PHL/ASA	
1	D00AR6003	1	PAPER TRAY	MFC-L2771DW	FOR VNM/IDN	
1	D00NWK003	1	PAPER TRAY	MFC-L2771DW	FOR TUR	

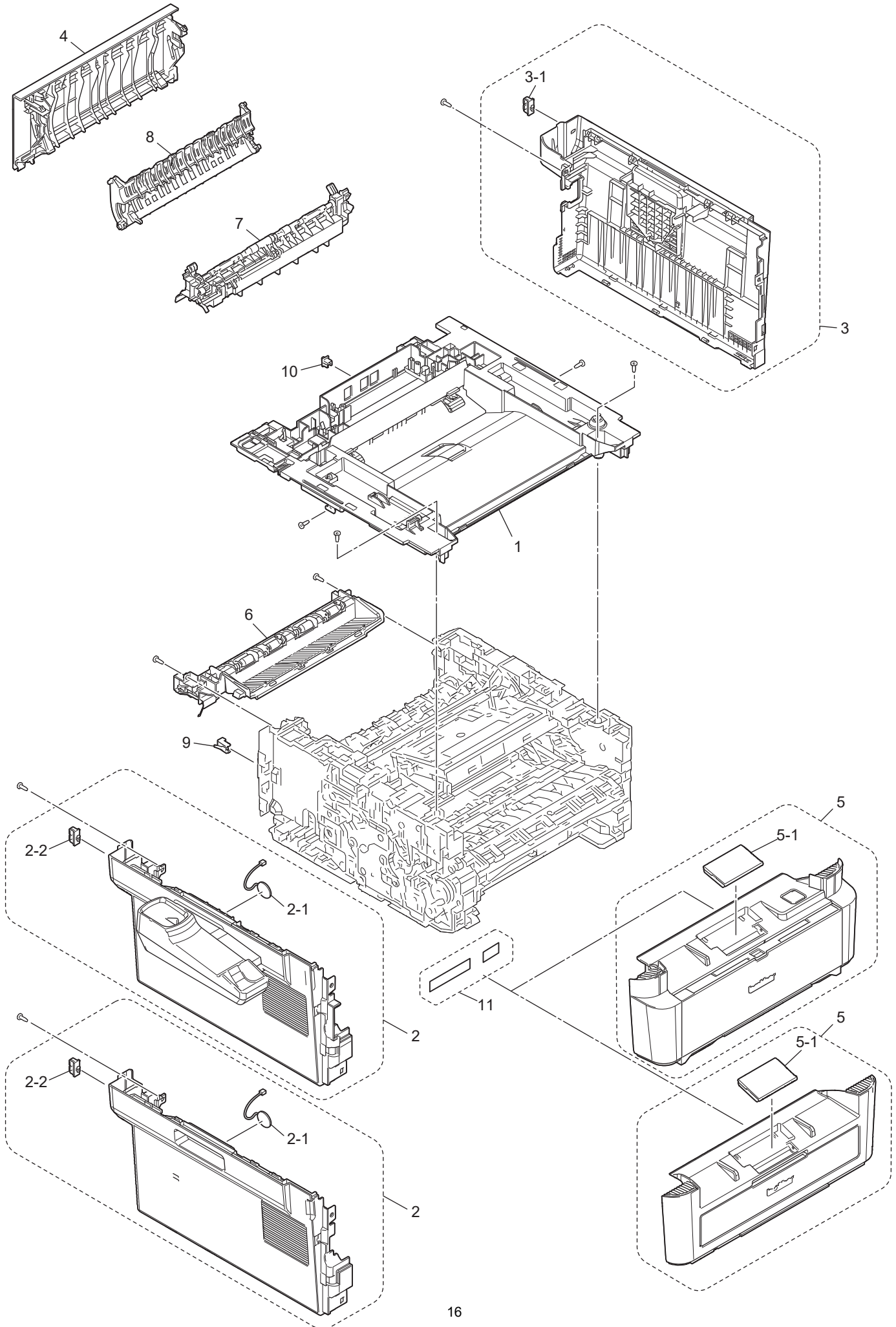
7. FUSER UNIT



7. FUSER UNIT

REF No.	CODE	Q'TY	DESCRIPTION	MODEL	SPEC	REMARKS
1	D00YTM001	1	FUSER UNIT 230S 2 (SP)	DCP-7090DW		
1	D00YTM001	1	FUSER UNIT 230S 2 (SP)	DCP-7190DW		
1	D00YTS001	1	FUSER UNIT 230T 2 (SP)	DCP-7195DW		
1	D00YTM001	1	FUSER UNIT 230S 2 (SP)	DCP-B7500D		
1	D00YTM001	1	FUSER UNIT 230S 2 (SP)	DCP-B7520DW		
1	D00YTM001	1	FUSER UNIT 230S 2 (SP)	DCP-B7530DN		
1	D00YTK001	1	FUSER UNIT 115S 2 (SP)	DCP-B7535DW	FOR MEX	
1	D00YTM001	1	FUSER UNIT 230S 2 (SP)	DCP-B7535DW	FOR VNM/IDN/CHN/BRA/IND	
1	D00YTM001	1	FUSER UNIT 230S 2 (SP)	DCP-L2510D		chg
1	D00YTM001	1	FUSER UNIT 230S 2 (SP)	DCP-L2512D		chg
1	D00YTM001	1	FUSER UNIT 230S 2 (SP)	DCP-L2530DW		chg
1	D00YTM001	1	FUSER UNIT 230S 2 (SP)	DCP-L2531DW		
1	D00YTM001	1	FUSER UNIT 230S 2 (SP)	DCP-L2532DW		chg
1	D00YTM001	1	FUSER UNIT 230S 2 (SP)	DCP-L2535D		
1	D00YTM001	1	FUSER UNIT 230S 2 (SP)	DCP-L2535DW		chg
1	D00YTM001	1	FUSER UNIT 230S 2 (SP)	DCP-L2537DW		chg
1	D00YTM001	1	FUSER UNIT 230S 2 (SP)	DCP-L2550DN		chg
1	D00YTM001	1	FUSER UNIT 230S 2 (SP)	DCP-L2550DW	FOR CHN/PHL/ASA	chg
1	D00YTK001	1	FUSER UNIT 115S 2 (SP)	DCP-L2550DW	FOR USA/CAN	chg
1	D00YTM001	1	FUSER UNIT 230S 2 (SP)	DCP-L2551DN		chg
1	D00YTK001	1	FUSER UNIT 115S 2 (SP)	DCP-L2551DW		chg
1	D00YTM001	1	FUSER UNIT 230S 2 (SP)	DCP-L2552DN		chg
1	D00YTK001	1	FUSER UNIT 115S 2 (SP)	HL-L2390DW		chg
1	D00YTK001	1	FUSER UNIT 115S 2 (SP)	HL-L2395DW	FOR USA/CAN	chg
1	D00YTM001	1	FUSER UNIT 230S 2 (SP)	HL-L2395DW	FOR ARL	chg
1	D00YTS001	1	FUSER UNIT 230T 2 (SP)	MFC-7895DW		
1	D00YTM001	1	FUSER UNIT 230S 2 (SP)	MFC-B7700D		
1	D00YTM001	1	FUSER UNIT 230S 2 (SP)	MFC-B7715DW		chg
1	D00YTM001	1	FUSER UNIT 230S 2 (SP)	MFC-B7720DN		
1	D00YTK001	1	FUSER UNIT 115S 2 (SP)	MFC-L2690DW		
1	D00YTK001	1	FUSER UNIT 115S 2 (SP)	MFC-L2690DWXL		
1	D00YTM001	1	FUSER UNIT 230S 2 (SP)	MFC-L2710DN		chg
1	D00YTK001	1	FUSER UNIT 115S 2 (SP)	MFC-L2710DW	FOR USA/CAN	chg
1	D00YTM001	1	FUSER UNIT 230S 2 (SP)	MFC-L2710DW	FOR GER/UK/FRA/ARL/BEL/NLD/ SWI/ITA/ISR/PND/IBE	chg
1	D00YTM001	1	FUSER UNIT 230S 2 (SP)	MFC-L2712DN		chg
1	D00YTM001	1	FUSER UNIT 230S 2 (SP)	MFC-L2712DW		chg
1	D00YTM001	1	FUSER UNIT 230S 2 (SP)	MFC-L2713DW		chg
1	D00YTK001	1	FUSER UNIT 115S 2 (SP)	MFC-L2715DW	FOR TWN	chg
1	D00YTM001	1	FUSER UNIT 230S 2 (SP)	MFC-L2715DW	FOR ASA/KOR	chg
1	D00YTM001	1	FUSER UNIT 230S 2 (SP)	MFC-L2716DW		chg
1	D00YTK001	1	FUSER UNIT 115S 2 (SP)	MFC-L2717DW		
1	D00YTM001	1	FUSER UNIT 230S 2 (SP)	MFC-L2730DW	FOR GER/UK/ARL/SWI/ITA/IBE/ FRA/BEL/NLD/PND	chg
1	D00YTK001	1	FUSER UNIT 115S 2 (SP)	MFC-L2730DW	FOR USA/CAN	chg
1	D00YTM001	1	FUSER UNIT 230S 2 (SP)	MFC-L2732DW		chg
1	D00YTM001	1	FUSER UNIT 230S 2 (SP)	MFC-L2750DW	FOR PHL/ASA/GER/UK/ARL/SWI/ ITA/IBE/FRA/BEL/NLD/PND	chg
1	D00YTK001	1	FUSER UNIT 115S 2 (SP)	MFC-L2750DW	FOR USA/CAN	chg
1	D00YTK001	1	FUSER UNIT 115S 2 (SP)	MFC-L2750DWXL		chg
1	D00YTM001	1	FUSER UNIT 230S 2 (SP)	MFC-L2751DW		chg
1	D00YTM001	1	FUSER UNIT 230S 2 (SP)	MFC-L2752DW		
1	D00YTR001	1	FUSER UNIT 115T 2 (SP)	MFC-L2770DW	FOR TWN	
1	D00YTS001	1	FUSER UNIT 230T 2 (SP)	MFC-L2770DW	FOR PHL/ASA/KOR/NZ	
1	D00YTS001	1	FUSER UNIT 230T 2 (SP)	MFC-L2771DW		

8. COVERS & LABELS



8. COVERS & LABELS

REF No.	CODE	Q'TY	DESCRIPTION	MODEL	SPEC	REMARKS
1	D01PFE001	1	JOINT COVER ASSY SP	DCP-7090DW		
1	D01PFE001	1	JOINT COVER ASSY SP	DCP-7190DW		
1	D00WXN001	1	JOINT COVER ASSY SP	DCP-7195DW		
1	D00X4C001	1	JOINT COVER ASSY SP	DCP-B7500D	FOR IND	
1	D00WXN001	1	JOINT COVER ASSY SP	DCP-B7500D	FOR CHN	
1	D00X4C001	1	JOINT COVER ASSY SP	DCP-B7520DW		
1	D00WXN001	1	JOINT COVER ASSY SP	DCP-B7530DN		
1	D00X4C001	1	JOINT COVER ASSY SP	DCP-B7535DW		
1	D00X4B001	1	JOINT COVER ASSY SP	DCP-L2510D		
1	D00X4B001	1	JOINT COVER ASSY SP	DCP-L2512D		
1	D00X4B001	1	JOINT COVER ASSY SP	DCP-L2530DW		
1	D00X4B001	1	JOINT COVER ASSY SP	DCP-L2531DW		
1	D00X4B001	1	JOINT COVER ASSY SP	DCP-L2532DW		
1	D00X4B001	1	JOINT COVER ASSY SP	DCP-L2535D		
1	D01PKA001	1	JOINT COVER ASSY SP	DCP-L2535DW	FOR CHN	
1	D00X4B001	1	JOINT COVER ASSY SP	DCP-L2535DW	FOR ASA	
1	D00X4B001	1	JOINT COVER ASSY SP	DCP-L2537DW		
1	D00X4D001	1	JOINT COVER ASSY SP	DCP-L2550DN		
1	D01PKA001	1	JOINT COVER ASSY SP	DCP-L2550DW	FOR CHN	
1	D00X4B001	1	JOINT COVER ASSY SP	DCP-L2550DW	FOR PHL/ASA/USA/CAN	
1	D00X4D001	1	JOINT COVER ASSY SP	DCP-L2551DN		
1	D00X4B001	1	JOINT COVER ASSY SP	DCP-L2551DW		
1	D00X4D001	1	JOINT COVER ASSY SP	DCP-L2552DN		
1	D00X4B001	1	JOINT COVER ASSY SP	HL-L2390DW		
1	D00X4D001	1	JOINT COVER ASSY SP	HL-L2395DW		
1	D00WXT001	1	JOINT COVER ASSY SP	MFC-7895DW		
1	D00WXT001	1	JOINT COVER ASSY SP	MFC-B7700D		
1	D00X4G001	1	JOINT COVER ASSY SP	MFC-B7715DW		
1	D00WXT001	1	JOINT COVER ASSY SP	MFC-B7720DN		
1	D00X4E001	1	JOINT COVER ASSY SP	MFC-L2690DW		
1	D00X4E001	1	JOINT COVER ASSY SP	MFC-L2690DWXL		
1	D00X4E001	1	JOINT COVER ASSY SP	MFC-L2710DN		
1	D00X4E001	1	JOINT COVER ASSY SP	MFC-L2710DW		
1	D00X4E001	1	JOINT COVER ASSY SP	MFC-L2712DN		
1	D00X4E001	1	JOINT COVER ASSY SP	MFC-L2712DW		
1	D00X4E001	1	JOINT COVER ASSY SP	MFC-L2713DW		
1	D00X4E001	1	JOINT COVER ASSY SP	MFC-L2715DW		
1	D00X4E001	1	JOINT COVER ASSY SP	MFC-L2716DW		
1	D00X4E001	1	JOINT COVER ASSY SP	MFC-L2717DW		
1	D00X4H001	1	JOINT COVER ASSY SP	MFC-L2730DW		
1	D00X4H001	1	JOINT COVER ASSY SP	MFC-L2732DW		
1	D00X4H001	1	JOINT COVER ASSY SP	MFC-L2750DW		
1	D00X4H001	1	JOINT COVER ASSY SP	MFC-L2750DWXL		
1	D00X4H001	1	JOINT COVER ASSY SP	MFC-L2751DW		
1	D00X4H001	1	JOINT COVER ASSY SP	MFC-L2752DW		
1	D00X4G001	1	JOINT COVER ASSY SP	MFC-L2770DW		
1	D00X4G001	1	JOINT COVER ASSY SP	MFC-L2771DW		
2	D00BZ1005	1	SIDE COVER L ASSY DCP	DCP-7090DW		
2	D00BZ1005	1	SIDE COVER L ASSY DCP	DCP-7190DW		
2	D00HZN003	1	SIDE COVER L ASSY DCP	DCP-7195DW		
2	D00BZ1003	1	SIDE COVER L ASSY DCP	DCP-B7500D		
2	D00BZ1003	1	SIDE COVER L ASSY DCP	DCP-B7520DW		
2	D00BZ1003	1	SIDE COVER L ASSY DCP	DCP-B7530DN		
2	D00BZ1003	1	SIDE COVER L ASSY DCP	DCP-B7535DW		
2	D00BZ1001	1	SIDE COVER L ASSY DCP	DCP-L2510D		
2	D00BZ1001	1	SIDE COVER L ASSY DCP	DCP-L2512D		
2	D00BZ1001	1	SIDE COVER L ASSY DCP	DCP-L2530DW		
2	D00BZ1001	1	SIDE COVER L ASSY DCP	DCP-L2531DW		
2	D00BZ1001	1	SIDE COVER L ASSY DCP	DCP-L2532DW		
2	D00BZ1001	1	SIDE COVER L ASSY DCP	DCP-L2535D		
2	D00BZ1001	1	SIDE COVER L ASSY DCP	DCP-L2535DW		
2	D00BZ1001	1	SIDE COVER L ASSY DCP	DCP-L2537DW		
2	D00BZ1005	1	SIDE COVER L ASSY DCP	DCP-L2550DN		
2	D00BZ1001	1	SIDE COVER L ASSY DCP	DCP-L2550DW		
2	D00BZ1005	1	SIDE COVER L ASSY DCP	DCP-L2551DN		

8. COVERS & LABELS

REF No.	CODE	Q'TY	DESCRIPTION	MODEL	SPEC	REMARKS
2	D00BZ1001	1	SIDE COVER L ASSY DCP	DCP-L2551DW		
2	D00BZ1005	1	SIDE COVER L ASSY DCP	DCP-L2552DN		
2	D00BZ1001	1	SIDE COVER L ASSY DCP	HL-L2390DW		
2	D00MY0005	1	SIDE COVER L ASSY DCP	HL-L2395DW		
2	D00B0F003	1	SIDE COVER L ASSY HS	MFC-7895DW		
2	D00BZ3003	1	SIDE COVER L ASSY HS	MFC-B7700D		
2	D00AS4003	1	SIDE COVER L ASSY FB	MFC-B7715DW		
2	D00BZ3003	1	SIDE COVER L ASSY FB	MFC-B7720DN		
2	D00AS4001	1	SIDE COVER L ASSY FB	MFC-L2690DW		
2	D00AS4001	1	SIDE COVER L ASSY FB	MFC-L2690DWXL		
2	D00AS4001	1	SIDE COVER L ASSY FB	MFC-L2710DN		
2	D00AS4001	1	SIDE COVER L ASSY FB	MFC-L2710DW		
2	D00AS4001	1	SIDE COVER L ASSY FB	MFC-L2712DN		
2	D00AS4001	1	SIDE COVER L ASSY FB	MFC-L2712DW		
2	D00AS4001	1	SIDE COVER L ASSY FB	MFC-L2713DW		
2	D00AS4001	1	SIDE COVER L ASSY FB	MFC-L2715DW		
2	D00AS4001	1	SIDE COVER L ASSY FB	MFC-L2716DW		
2	D00AS4001	1	SIDE COVER L ASSY FB	MFC-L2717DW		
2	D00AS4005	1	SIDE COVER L ASSY FB	MFC-L2730DW		
2	D00AS4005	1	SIDE COVER L ASSY FB	MFC-L2732DW		
2	D00AS4005	1	SIDE COVER L ASSY FB	MFC-L2750DW		
2	D00AS4005	1	SIDE COVER L ASSY FB	MFC-L2750DWXL		
2	D00AS4005	1	SIDE COVER L ASSY FB	MFC-L2751DW		
2	D00AS4005	1	SIDE COVER L ASSY FB	MFC-L2752DW		
2	D00AH3003	1	SIDE COVER L ASSY FB	MFC-L2770DW		
2	D00AH3003	1	SIDE COVER L ASSY FB	MFC-L2771DW		
2-1	LT3253001	1	SPEAKER	DCP-7195DW		
2-1	LT3253001	1	SPEAKER	HL-L2395DW		
2-1	LT3253001	1	SPEAKER	MFC-7895DW		
2-1	LT3253001	1	SPEAKER	MFC-B7700D		
2-1	LT3253001	1	SPEAKER	MFC-B7715DW		
2-1	LT3253001	1	SPEAKER	MFC-B7720DN		
2-1	LT3253001	1	SPEAKER	MFC-L2690DW		
2-1	LT3253001	1	SPEAKER	MFC-L2690DWXL		
2-1	LT3253001	1	SPEAKER	MFC-L2710DN		
2-1	LT3253001	1	SPEAKER	MFC-L2710DW		
2-1	LT3253001	1	SPEAKER	MFC-L2712DN		
2-1	LT3253001	1	SPEAKER	MFC-L2712DW		
2-1	LT3253001	1	SPEAKER	MFC-L2713DW		
2-1	LT3253001	1	SPEAKER	MFC-L2715DW		
2-1	LT3253001	1	SPEAKER	MFC-L2716DW		
2-1	LT3253001	1	SPEAKER	MFC-L2717DW		
2-1	LT3253001	1	SPEAKER	MFC-L2730DW		
2-1	LT3253001	1	SPEAKER	MFC-L2732DW		
2-1	LT3253001	1	SPEAKER	MFC-L2750DW		
2-1	LT3253001	1	SPEAKER	MFC-L2750DWXL		
2-1	LT3253001	1	SPEAKER	MFC-L2751DW		
2-1	LT3253001	1	SPEAKER	MFC-L2752DW		
2-1	LT3253001	1	SPEAKER	MFC-L2770DW		
2-1	LT3253001	1	SPEAKER	MFC-L2771DW		
2-2	LX9044002	1	CODE HOOK	MFC-7895DW		
2-2	LX9044002	1	CODE HOOK	MFC-B7700D		
2-2	LX9044002	1	CODE HOOK	MFC-B7715DW		
2-2	LX9044002	1	CODE HOOK	MFC-B7720DN		
2-2	LX9044001	1	CODE HOOK	MFC-L2690DW		
2-2	LX9044001	1	CODE HOOK	MFC-L2690DWXL		
2-2	LX9044001	1	CODE HOOK	MFC-L2710DN		
2-2	LX9044001	1	CODE HOOK	MFC-L2710DW		
2-2	LX9044001	1	CODE HOOK	MFC-L2712DN		
2-2	LX9044001	1	CODE HOOK	MFC-L2712DW		
2-2	LX9044001	1	CODE HOOK	MFC-L2713DW		
2-2	LX9044001	1	CODE HOOK	MFC-L2715DW		
2-2	LX9044001	1	CODE HOOK	MFC-L2716DW		
2-2	LX9044001	1	CODE HOOK	MFC-L2717DW		
2-2	LX9044001	1	CODE HOOK	MFC-L2730DW		

8. COVERS & LABELS

REF No.	CODE	Q'TY	DESCRIPTION	MODEL	SPEC	REMARKS
2-2	LX9044001	1	CODE HOOK	MFC-L2732DW		
2-2	LX9044001	1	CODE HOOK	MFC-L2750DW		
2-2	LX9044001	1	CODE HOOK	MFC-L2750DWXL		
2-2	LX9044001	1	CODE HOOK	MFC-L2751DW		
2-2	LX9044001	1	CODE HOOK	MFC-L2752DW		
2-2	LX9044002	1	CODE HOOK	MFC-L2770DW		
2-2	LX9044002	1	CODE HOOK	MFC-L2771DW		
3	D00HZV005	1	SIDE COVER R ASSY	DCP-7090DW		
3	D00HZV005	1	SIDE COVER R ASSY	DCP-7190DW		
3	D00HZX003	1	SIDE COVER R ASSY	DCP-7195DW		
3	D00HZV003	1	SIDE COVER R ASSY	DCP-B7500D	FOR CHN	
3	D00HZR003	1	SIDE COVER R ASSY	DCP-B7500D	FOR IND	
3	D00HZV003	1	SIDE COVER R ASSY	DCP-B7520DW	FOR CHN	
3	D00HZR003	1	SIDE COVER R ASSY	DCP-B7520DW	FOR BRA/CEE	
3	D00HZV003	1	SIDE COVER R ASSY	DCP-B7530DN		
3	D00HZV003	1	SIDE COVER R ASSY	DCP-B7535DW	FOR CHN	
3	D00HZR003	1	SIDE COVER R ASSY	DCP-B7535DW	FOR VNM/IDN/BRA/IND/MEX	
3	D00HZR001	1	SIDE COVER R ASSY	DCP-L2510D		
3	D00HZR001	1	SIDE COVER R ASSY	DCP-L2512D		
3	D00HZR001	1	SIDE COVER R ASSY	DCP-L2530DW		
3	D00HZR001	1	SIDE COVER R ASSY	DCP-L2531DW		
3	D00HZR001	1	SIDE COVER R ASSY	DCP-L2532DW		
3	D00HZR001	1	SIDE COVER R ASSY	DCP-L2535D		
3	D00HZV001	1	SIDE COVER R ASSY	DCP-L2535DW	FOR CHN	
3	D00HZR001	1	SIDE COVER R ASSY	DCP-L2535DW	FOR ASA	
3	D00HZR001	1	SIDE COVER R ASSY	DCP-L2537DW		
3	D00HZR005	1	SIDE COVER R ASSY	DCP-L2550DN		
3	D00HZV001	1	SIDE COVER R ASSY	DCP-L2550DW	FOR CHN	
3	D00HZR001	1	SIDE COVER R ASSY	DCP-L2550DW	FOR PHL/ASA/USA/CAN	
3	D00HZR005	1	SIDE COVER R ASSY	DCP-L2551DN		
3	D00HZR001	1	SIDE COVER R ASSY	DCP-L2551DW		
3	D00HZR005	1	SIDE COVER R ASSY	DCP-L2552DN		
3	D00HZR001	1	SIDE COVER R ASSY	HL-L2390DW		
3	D00HZR005	1	SIDE COVER R ASSY	HL-L2395DW		
3	D00BZ7003	1	SIDE COVER R ASSY	MFC-7895DW		
3	D00BZB003	1	SIDE COVER R ASSY	MFC-B7700D		
3	D00BZ6003	1	SIDE COVER R ASSY	MFC-B7715DW		
3	D00BZB003	1	SIDE COVER R ASSY	MFC-B7720DN		
3	D00BZ6001	1	SIDE COVER R ASSY	MFC-L2690DW		
3	D00BZ6001	1	SIDE COVER R ASSY	MFC-L2690DWXL		
3	D00BZ6001	1	SIDE COVER R ASSY	MFC-L2710DN		
3	D00BZ6001	1	SIDE COVER R ASSY	MFC-L2710DW		
3	D00BZ6001	1	SIDE COVER R ASSY	MFC-L2712DN		
3	D00BZ6001	1	SIDE COVER R ASSY	MFC-L2712DW		
3	D00BZ6001	1	SIDE COVER R ASSY	MFC-L2713DW		
3	D00BZ6001	1	SIDE COVER R ASSY	MFC-L2715DW		
3	D00BZ6001	1	SIDE COVER R ASSY	MFC-L2716DW		
3	D00BZ6001	1	SIDE COVER R ASSY	MFC-L2717DW		
3	D00BZ6005	1	SIDE COVER R ASSY	MFC-L2730DW		
3	D00BZ6005	1	SIDE COVER R ASSY	MFC-L2732DW		
3	D00BZ6005	1	SIDE COVER R ASSY	MFC-L2750DW		
3	D00BZ6005	1	SIDE COVER R ASSY	MFC-L2750DWXL		
3	D00BZ6005	1	SIDE COVER R ASSY	MFC-L2751DW		
3	D00BZ6005	1	SIDE COVER R ASSY	MFC-L2752DW		
3	D00AMH003	1	SIDE COVER R ASSY	MFC-L2770DW		
3	D00AMH003	1	SIDE COVER R ASSY	MFC-L2771DW		
3-1	LX9044002	1	CODE HOOK	MFC-7895DW		
3-1	LX9044002	1	CODE HOOK	MFC-B7700D		
3-1	LX9044002	1	CODE HOOK	MFC-B7715DW		
3-1	LX9044002	1	CODE HOOK	MFC-B7720DN		
3-1	LX9044001	1	CODE HOOK	MFC-L2690DW		
3-1	LX9044001	1	CODE HOOK	MFC-L2690DWXL		
3-1	LX9044001	1	CODE HOOK	MFC-L2710DN		
3-1	LX9044001	1	CODE HOOK	MFC-L2710DW		
3-1	LX9044001	1	CODE HOOK	MFC-L2712DN		

8. COVERS & LABELS

REF No.	CODE	Q'TY	DESCRIPTION	MODEL	SPEC	REMARKS
3-1	LX9044001	1	CODE HOOK	MFC-L2712DW		
3-1	LX9044001	1	CODE HOOK	MFC-L2713DW		
3-1	LX9044001	1	CODE HOOK	MFC-L2715DW		
3-1	LX9044001	1	CODE HOOK	MFC-L2716DW		
3-1	LX9044001	1	CODE HOOK	MFC-L2717DW		
3-1	LX9044001	1	CODE HOOK	MFC-L2730DW		
3-1	LX9044001	1	CODE HOOK	MFC-L2732DW		
3-1	LX9044001	1	CODE HOOK	MFC-L2750DW		
3-1	LX9044001	1	CODE HOOK	MFC-L2750DWXL		
3-1	LX9044001	1	CODE HOOK	MFC-L2751DW		
3-1	LX9044001	1	CODE HOOK	MFC-L2752DW		
3-1	LX9044002	1	CODE HOOK	MFC-L2770DW		
3-1	LX9044002	1	CODE HOOK	MFC-L2771DW		
4	D00AR0005	1	BACK COVER	DCP-7090DW		
4	D00AR0005	1	BACK COVER	DCP-7190DW		
4	D00AR0003	1	BACK COVER	DCP-7195DW		
4	D00AR0003	1	BACK COVER	DCP-B7500D	FOR CHN	
4	D00AYZ003	1	BACK COVER	DCP-B7500D	FOR IND	
4	D00AR0003	1	BACK COVER	DCP-B7520DW	FOR CHN	
4	D00AYZ003	1	BACK COVER	DCP-B7520DW	FOR BRA/CEE	
4	D00AR0003	1	BACK COVER	DCP-B7530DN		
4	D00AR0003	1	BACK COVER	DCP-B7535DW	FOR CHN	
4	D00AYZ003	1	BACK COVER	DCP-B7535DW	FOR VNM/IDN/BRA/IND/MEX	
4	D00AYZ001	1	BACK COVER	DCP-L2510D		
4	D00AYZ001	1	BACK COVER	DCP-L2512D		
4	D00AYZ001	1	BACK COVER	DCP-L2530DW		
4	D00AYZ001	1	BACK COVER	DCP-L2531DW		
4	D00AYZ001	1	BACK COVER	DCP-L2532DW		
4	D00AYZ001	1	BACK COVER	DCP-L2535D		
4	D00AR0001	1	BACK COVER	DCP-L2535DW	FOR CHN	
4	D00AYZ001	1	BACK COVER	DCP-L2535DW	FOR ASA	
4	D00AYZ001	1	BACK COVER	DCP-L2537DW		
4	D00AYZ005	1	BACK COVER	DCP-L2550DN		
4	D00AR0001	1	BACK COVER	DCP-L2550DW	FOR CHN	
4	D00AYZ001	1	BACK COVER	DCP-L2550DW	FOR PHL/ASA/USA/CAN	
4	D00AYZ005	1	BACK COVER	DCP-L2551DN		
4	D00AYZ001	1	BACK COVER	DCP-L2551DW		
4	D00AYZ005	1	BACK COVER	DCP-L2552DN		
4	D00AYZ001	1	BACK COVER	HL-L2390DW		
4	D00AYZ005	1	BACK COVER	HL-L2395DW		
4	D00AR0003	1	BACK COVER	MFC-7895DW		
4	D00AR0003	1	BACK COVER	MFC-B7700D		
4	D00AYZ003	1	BACK COVER	MFC-B7715DW		
4	D00AR0003	1	BACK COVER	MFC-B7720DN		
4	D00AYZ001	1	BACK COVER	MFC-L2690DW		
4	D00AYZ001	1	BACK COVER	MFC-L2690DWXL		
4	D00AYZ001	1	BACK COVER	MFC-L2710DN		
4	D00AYZ001	1	BACK COVER	MFC-L2710DW		
4	D00AYZ001	1	BACK COVER	MFC-L2712DN		
4	D00AYZ001	1	BACK COVER	MFC-L2712DW		
4	D00AYZ001	1	BACK COVER	MFC-L2713DW		
4	D00AYZ001	1	BACK COVER	MFC-L2715DW		
4	D00AYZ001	1	BACK COVER	MFC-L2716DW		
4	D00AYZ001	1	BACK COVER	MFC-L2717DW		
4	D00AYZ005	1	BACK COVER	MFC-L2730DW		
4	D00AYZ005	1	BACK COVER	MFC-L2732DW		
4	D00AYZ005	1	BACK COVER	MFC-L2750DW		
4	D00AYZ005	1	BACK COVER	MFC-L2750DWXL		
4	D00AYZ005	1	BACK COVER	MFC-L2751DW		
4	D00AYZ005	1	BACK COVER	MFC-L2752DW		
4	D00AYZ003	1	BACK COVER	MFC-L2770DW		
4	D00AYZ003	1	BACK COVER	MFC-L2771DW		
5	D00VK0005	1	FRONT COVER ASSY	DCP-7090DW		
5	D00VK0005	1	FRONT COVER ASSY	DCP-7190DW		
5	D00NWG003	1	FRONT COVER ASSY	DCP-7195DW		

8. COVERS & LABELS

REF No.	CODE	Q'TY	DESCRIPTION	MODEL	SPEC	REMARKS
5	D00S1C003	1	FRONT COVER ASSY	DCP-B7500D	FOR IND	
5	D00US9003	1	FRONT COVER ASSY	DCP-B7500D	FOR CHN	
5	D00VK0003	1	FRONT COVER ASSY	DCP-B7520DW	FOR CEE	
5	D00US9003	1	FRONT COVER ASSY	DCP-B7520DW	FOR CHN	
5	D00S1C003	1	FRONT COVER ASSY	DCP-B7520DW	FOR BRA	
5	D00US9003	1	FRONT COVER ASSY	DCP-B7530DN		
5	D00MY5003	1	FRONT COVER ASSY	DCP-B7535DW	FOR VNM/IDN/MEX	
5	D00S1C003	1	FRONT COVER ASSY	DCP-B7535DW	FOR BRA/IND	
5	D00US9003	1	FRONT COVER ASSY	DCP-B7535DW	FOR CHN	
5	D00MY5001	1	FRONT COVER ASSY	DCP-L2510D		
5	D00AS8001	1	FRONT COVER ASSY	DCP-L2512D		
5	D00MY5001	1	FRONT COVER ASSY	DCP-L2530DW		
5	D00MY5001	1	FRONT COVER ASSY	DCP-L2531DW		
5	D00AS8001	1	FRONT COVER ASSY	DCP-L2532DW		
5	D00VK0001	1	FRONT COVER ASSY	DCP-L2535D		
5	D00VK0001	1	FRONT COVER ASSY	DCP-L2535DW	FOR CHN	
5	D00S1C001	1	FRONT COVER ASSY	DCP-L2535DW	FOR ASA	
5	D00MY5001	1	FRONT COVER ASSY	DCP-L2537DW		
5	D00MY5005	1	FRONT COVER ASSY	DCP-L2550DN		
5	D00VK0001	1	FRONT COVER ASSY	DCP-L2550DW	FOR CHN	
5	D00S1C001	1	FRONT COVER ASSY	DCP-L2550DW	FOR PHL/ASA	
5	D00AS8001	1	FRONT COVER ASSY	DCP-L2550DW	FOR USA/CAN	
5	D00US9005	1	FRONT COVER ASSY	DCP-L2551DN		
5	D00AS8001	1	FRONT COVER ASSY	DCP-L2551DW		
5	D00AS8005	1	FRONT COVER ASSY	DCP-L2552DN		
5	D00AS8001	1	FRONT COVER ASSY	HL-L2390DW		
5	D00AS8005	1	FRONT COVER ASSY	HL-L2395DW	FOR USA/CAN	
5	D00MY5005	1	FRONT COVER ASSY	HL-L2395DW	FOR ARL	
5	D00NWG003	1	FRONT COVER ASSY	MFC-7895DW		
5	D00US9003	1	FRONT COVER ASSY	MFC-B7700D		
5	D00S1C003	1	FRONT COVER ASSY	MFC-B7715DW	FOR IND	
5	D00VK0003	1	FRONT COVER ASSY	MFC-B7715DW	FOR POL/CEE	
5	D00MY5003	1	FRONT COVER ASSY	MFC-B7715DW	FOR VNM/IDN	
5	D00US9003	1	FRONT COVER ASSY	MFC-B7720DN		
5	D00AS8001	1	FRONT COVER ASSY	MFC-L2690DW		
5	D00AS8001	1	FRONT COVER ASSY	MFC-L2690DWXL		
5	D00MY5001	1	FRONT COVER ASSY	MFC-L2710DN		
5	D00AS8001	1	FRONT COVER ASSY	MFC-L2710DW	FOR USA/CAN	
5	D00MY5001	1	FRONT COVER ASSY	MFC-L2710DW	FOR GER/UK/FRA/ARL/BEL/NLD/ SWI/ITA/ISR/PND/IBE	
5	D00AS8001	1	FRONT COVER ASSY	MFC-L2712DN		
5	D00AS8001	1	FRONT COVER ASSY	MFC-L2712DW		
5	D00MY5001	1	FRONT COVER ASSY	MFC-L2713DW	FOR ARL	
5	D00AS8001	1	FRONT COVER ASSY	MFC-L2713DW	FOR NZ	
5	D00S1C001	1	FRONT COVER ASSY	MFC-L2715DW		
5	D00S1C001	1	FRONT COVER ASSY	MFC-L2716DW		
5	D00AS8001	1	FRONT COVER ASSY	MFC-L2717DW		
5	D00MY5005	1	FRONT COVER ASSY	MFC-L2730DW	FOR GER/UK/ARL/SWI/ITA/IBE/ FRA/BEL/NLD/PND	
5	D00AS8005	1	FRONT COVER ASSY	MFC-L2730DW	FOR USA/CAN	
5	D00AS8005	1	FRONT COVER ASSY	MFC-L2732DW		
5	D00S1C005	1	FRONT COVER ASSY	MFC-L2750DW	FOR PHL/ASA	
5	D00MY5005	1	FRONT COVER ASSY	MFC-L2750DW	FOR GER/UK/ARL/SWI/ITA/IBE/ FRA/BEL/NLD/PND	
5	D00AS8005	1	FRONT COVER ASSY	MFC-L2750DW	FOR USA/CAN	
5	D00AS8005	1	FRONT COVER ASSY	MFC-L2750DWXL		
5	D00S1C005	1	FRONT COVER ASSY	MFC-L2751DW	FOR TUR	
5	D00US9005	1	FRONT COVER ASSY	MFC-L2751DW	FOR RUS	
5	D00AS8005	1	FRONT COVER ASSY	MFC-L2752DW		
5	D00APN003	1	FRONT COVER ASSY	MFC-L2770DW	FOR NZ	
5	D00T5R003	1	FRONT COVER ASSY	MFC-L2770DW	FOR PHL/TWN/ASA/KOR	
5	D00APN003	1	FRONT COVER ASSY	MFC-L2771DW	FOR VNM/IDN	
5	D00T5R003	1	FRONT COVER ASSY	MFC-L2771DW	FOR TUR	
5-1	LEM005003	1	PAPER STOPPER	DCP-7090DW		
5-1	LEM005003	1	PAPER STOPPER	DCP-7190DW		

8. COVERS & LABELS

REF No.	CODE	Q'TY	DESCRIPTION	MODEL	SPEC	REMARKS
5-1	LEM005004	1	PAPER STOPPER	DCP-7195DW		
5-1	LEM005004	1	PAPER STOPPER	DCP-B7500D		
5-1	LEM005004	1	PAPER STOPPER	DCP-B7520DW		
5-1	LEM005004	1	PAPER STOPPER	DCP-B7530DN		
5-1	LEM005004	1	PAPER STOPPER	DCP-B7535DW		
5-1	LEM005002	1	PAPER STOPPER	DCP-L2510D		
5-1	LEM005002	1	PAPER STOPPER	DCP-L2512D		
5-1	LEM005002	1	PAPER STOPPER	DCP-L2530DW		
5-1	LEM005002	1	PAPER STOPPER	DCP-L2531DW		
5-1	LEM005002	1	PAPER STOPPER	DCP-L2532DW		
5-1	LEM005002	1	PAPER STOPPER	DCP-L2535D		
5-1	LEM005002	1	PAPER STOPPER	DCP-L2535DW		
5-1	LEM005002	1	PAPER STOPPER	DCP-L2537DW		
5-1	LEM005003	1	PAPER STOPPER	DCP-L2550DN		
5-1	LEM005002	1	PAPER STOPPER	DCP-L2550DW		
5-1	LEM005003	1	PAPER STOPPER	DCP-L2551DN		
5-1	LEM005002	1	PAPER STOPPER	DCP-L2551DW		
5-1	LEM005003	1	PAPER STOPPER	DCP-L2552DN		
5-1	LEM005002	1	PAPER STOPPER	HL-L2390DW		
5-1	LEM005003	1	PAPER STOPPER	HL-L2395DW		
5-1	LEM005004	1	PAPER STOPPER	MFC-7895DW		
5-1	LEM005004	1	PAPER STOPPER	MFC-B7700D		
5-1	LEM005004	1	PAPER STOPPER	MFC-B7715DW		
5-1	LEM005004	1	PAPER STOPPER	MFC-B7720DN		
5-1	LEM005002	1	PAPER STOPPER	MFC-L2690DW		
5-1	LEM005002	1	PAPER STOPPER	MFC-L2690DWXL		
5-1	LEM005002	1	PAPER STOPPER	MFC-L2710DN		
5-1	LEM005002	1	PAPER STOPPER	MFC-L2710DW		
5-1	LEM005002	1	PAPER STOPPER	MFC-L2712DN		
5-1	LEM005002	1	PAPER STOPPER	MFC-L2712DW		
5-1	LEM005002	1	PAPER STOPPER	MFC-L2713DW		
5-1	LEM005002	1	PAPER STOPPER	MFC-L2715DW		
5-1	LEM005002	1	PAPER STOPPER	MFC-L2716DW		
5-1	LEM005002	1	PAPER STOPPER	MFC-L2717DW		
5-1	LEM005003	1	PAPER STOPPER	MFC-L2730DW		
5-1	LEM005003	1	PAPER STOPPER	MFC-L2732DW		
5-1	LEM005003	1	PAPER STOPPER	MFC-L2750DW		
5-1	LEM005003	1	PAPER STOPPER	MFC-L2750DWXL		
5-1	LEM005003	1	PAPER STOPPER	MFC-L2751DW		
5-1	LEM005003	1	PAPER STOPPER	MFC-L2752DW		
5-1	LEM005004	1	PAPER STOPPER	MFC-L2770DW		
5-1	LEM005004	1	PAPER STOPPER	MFC-L2771DW		
6	LY9130001	1	INNER CHUTE ASSY	DCP-7090DW		
6	LY9130001	1	INNER CHUTE ASSY	DCP-7190DW		
6	LY9130004	1	INNER CHUTE ASSY	DCP-7195DW		
6	LY9130004	1	INNER CHUTE ASSY	DCP-B7500D		
6	LY9130004	1	INNER CHUTE ASSY	DCP-B7520DW		
6	LY9130004	1	INNER CHUTE ASSY	DCP-B7530DN		
6	LY9130004	1	INNER CHUTE ASSY	DCP-B7535DW		
6	LY9130002	1	INNER CHUTE ASSY	DCP-L2510D		
6	LY9130002	1	INNER CHUTE ASSY	DCP-L2512D		
6	LY9130002	1	INNER CHUTE ASSY	DCP-L2530DW		
6	LY9130002	1	INNER CHUTE ASSY	DCP-L2531DW		
6	LY9130002	1	INNER CHUTE ASSY	DCP-L2532DW		
6	LY9130002	1	INNER CHUTE ASSY	DCP-L2535D		
6	LY9130002	1	INNER CHUTE ASSY	DCP-L2535DW		
6	LY9130002	1	INNER CHUTE ASSY	DCP-L2537DW		
6	LY9130001	1	INNER CHUTE ASSY	DCP-L2550DN		
6	LY9130002	1	INNER CHUTE ASSY	DCP-L2550DW		
6	LY9130001	1	INNER CHUTE ASSY	DCP-L2551DN		
6	LY9130002	1	INNER CHUTE ASSY	DCP-L2551DW		
6	LY9130001	1	INNER CHUTE ASSY	DCP-L2552DN		
6	LY9130002	1	INNER CHUTE ASSY	HL-L2390DW		
6	LY9130001	1	INNER CHUTE ASSY	HL-L2395DW		
6	LY9130004	1	INNER CHUTE ASSY	MFC-7895DW		

8. COVERS & LABELS

REF No.	CODE	Q'TY	DESCRIPTION	MODEL	SPEC	REMARKS
6	LY9130004	1	INNER CHUTE ASSY	MFC-B7700D		
6	LY9130004	1	INNER CHUTE ASSY	MFC-B7715DW		
6	LY9130004	1	INNER CHUTE ASSY	MFC-B7720DN		
6	LY9130002	1	INNER CHUTE ASSY	MFC-L2690DW		
6	LY9130002	1	INNER CHUTE ASSY	MFC-L2690DWXL		
6	LY9130002	1	INNER CHUTE ASSY	MFC-L2710DN		
6	LY9130002	1	INNER CHUTE ASSY	MFC-L2710DW		
6	LY9130002	1	INNER CHUTE ASSY	MFC-L2712DN		
6	LY9130002	1	INNER CHUTE ASSY	MFC-L2712DW		
6	LY9130002	1	INNER CHUTE ASSY	MFC-L2713DW		
6	LY9130002	1	INNER CHUTE ASSY	MFC-L2715DW		
6	LY9130002	1	INNER CHUTE ASSY	MFC-L2716DW		
6	LY9130002	1	INNER CHUTE ASSY	MFC-L2717DW		
6	LY9130001	1	INNER CHUTE ASSY	MFC-L2730DW		
6	LY9130001	1	INNER CHUTE ASSY	MFC-L2732DW		
6	LY9130001	1	INNER CHUTE ASSY	MFC-L2750DW		
6	LY9130001	1	INNER CHUTE ASSY	MFC-L2750DWXL		
6	LY9130001	1	INNER CHUTE ASSY	MFC-L2751DW		
6	LY9130001	1	INNER CHUTE ASSY	MFC-L2752DW		
6	LY9130004	1	INNER CHUTE ASSY	MFC-L2770DW		
6	LY9130004	1	INNER CHUTE ASSY	MFC-L2771DW		
7	D00AL5001	1	FUSER COVER			
8	LY9146001	1	OUTER CHUTE ASSY			
9	D001BD001	1	LAN PORT CAP	DCP-7190DW		
9	D001BD001	1	LAN PORT CAP	DCP-7195DW		
9	D001BD001	1	LAN PORT CAP	DCP-B7520DW		
9	D001BD001	1	LAN PORT CAP	DCP-B7530DN		
9	D001BD001	1	LAN PORT CAP	DCP-B7535DW		
9	D001BD001	1	LAN PORT CAP	DCP-L2550DN		
9	D001BD001	1	LAN PORT CAP	DCP-L2550DW		
9	D001BD001	1	LAN PORT CAP	DCP-L2551DN		
9	D001BD001	1	LAN PORT CAP	DCP-L2551DW		
9	D001BD001	1	LAN PORT CAP	DCP-L2552DN		
9	D001BD001	1	LAN PORT CAP	HL-L2395DW		
9	D001BD001	1	LAN PORT CAP	MFC-7895DW		
9	D001BD001	1	LAN PORT CAP	MFC-B7715DW		
9	D001BD001	1	LAN PORT CAP	MFC-B7720DN		
9	D001BD001	1	LAN PORT CAP	MFC-L2710DN		
9	D001BD001	1	LAN PORT CAP	MFC-L2710DW		
9	D001BD001	1	LAN PORT CAP	MFC-L2712DN		
9	D001BD001	1	LAN PORT CAP	MFC-L2712DW		
9	D001BD001	1	LAN PORT CAP	MFC-L2713DW		
9	D001BD001	1	LAN PORT CAP	MFC-L2715DW		
9	D001BD001	1	LAN PORT CAP	MFC-L2716DW		
9	D001BD001	1	LAN PORT CAP	MFC-L2717DW		
9	D001BD001	1	LAN PORT CAP	MFC-L2730DW		
9	D001BD001	1	LAN PORT CAP	MFC-L2732DW		
9	D001BD001	1	LAN PORT CAP	MFC-L2750DW		
9	D001BD001	1	LAN PORT CAP	MFC-L2750DWXL		
9	D001BD001	1	LAN PORT CAP	MFC-L2751DW		
9	D001BD001	1	LAN PORT CAP	MFC-L2752DW		
9	D001BD001	1	LAN PORT CAP	MFC-L2770DW		
9	D001BD001	1	LAN PORT CAP	MFC-L2771DW		
10	LE8842001	1	EXT CAP	MFC-B7715DW		
10	LE8842001	1	EXT CAP	MFC-L2690DW		
10	LE8842001	1	EXT CAP	MFC-L2690DWXL		
10	UF5745000	1	MJ COVER EXT	MFC-L2710DN	FOR GER/FRA	
10	LE8842001	1	EXT CAP	MFC-L2710DN	FOR UK/ITA/ISR	
10	LE8842001	1	EXT CAP	MFC-L2710DW	FOR USA/CAN/UK/ARL/BEL/NLD/ SWI/ITA/ISR/PND/IBE	
10	UF5745000	1	MJ COVER EXT	MFC-L2710DW	FOR GER/FRA	
10	LE8842001	1	EXT CAP	MFC-L2712DN		
10	LE8842001	1	EXT CAP	MFC-L2712DW		
10	LE8842001	1	EXT CAP	MFC-L2713DW		
10	LE8842001	1	EXT CAP	MFC-L2715DW		

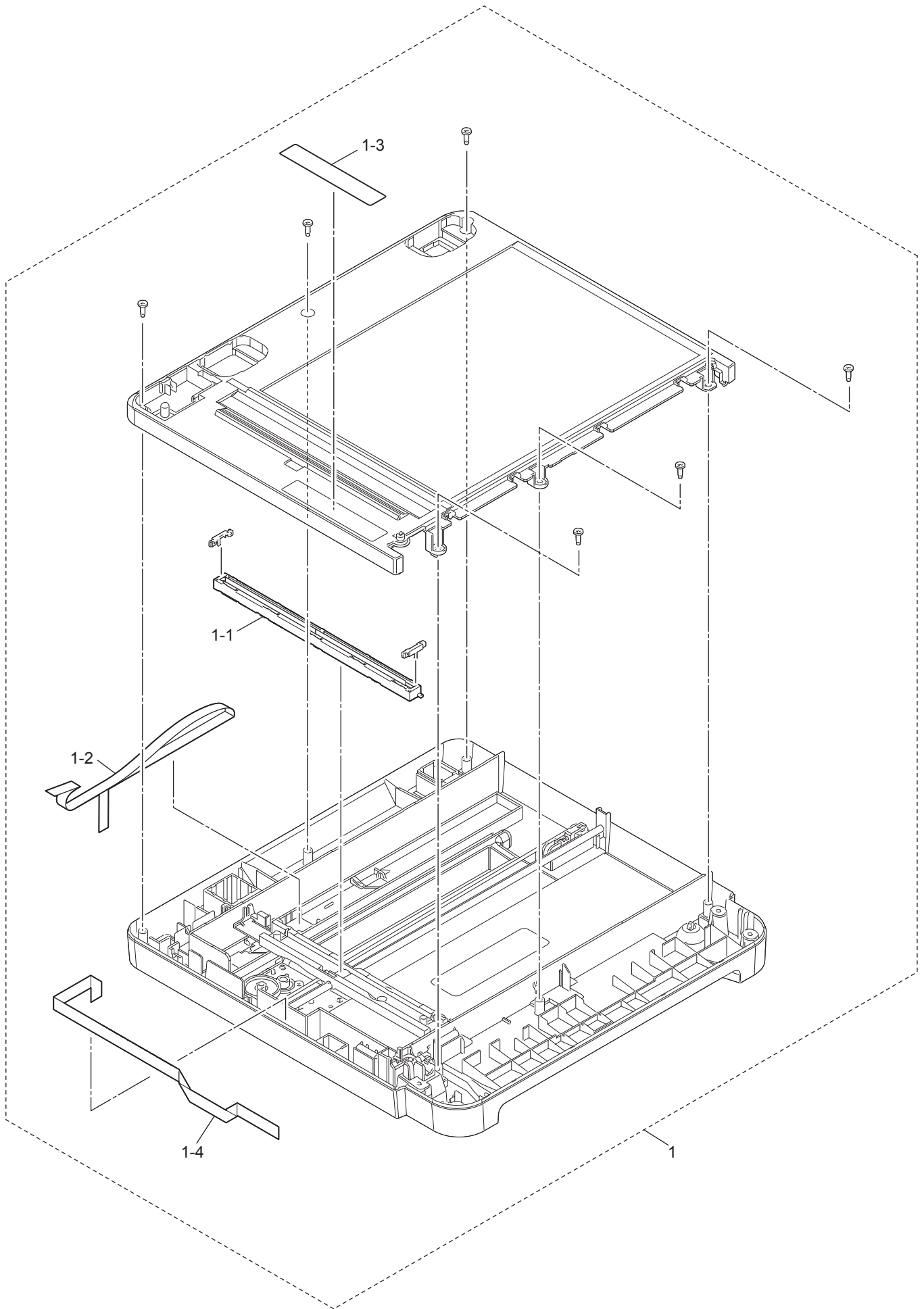
8. COVERS & LABELS

REF No.	CODE	Q'TY	DESCRIPTION	MODEL	SPEC	REMARKS
10	LE8842001	1	EXT CAP	MFC-L2716DW		
10	LE8842001	1	EXT CAP	MFC-L2717DW		
10	UF5745000	1	MJ COVER EXT	MFC-L2730DW	FOR GER	
10	LE8842001	1	EXT CAP	MFC-L2730DW	FOR USA/CAN/UK/ARL/SWI/ITA/ IBE/FRA/BEL/NLD/PND	
10	LE8842001	1	EXT CAP	MFC-L2732DW		
10	LE8842001	1	EXT CAP	MFC-L2750DW	FOR PHL/ASA/USA/CAN/UK/ARL/ SWI/ITA/IBE/FRA/BEL/NLD/PND	
10	UF5745000	1	MJ COVER EXT	MFC-L2750DW	FOR GER	
10	LE8842001	1	EXT CAP	MFC-L2750DWXL		
10	LE8842001	1	EXT CAP	MFC-L2751DW		
10	LE8842001	1	EXT CAP	MFC-L2752DW		
10	LE8842001	1	EXT CAP	MFC-L2770DW		
10	LE8842001	1	EXT CAP	MFC-L2771DW		
11	D00UYR001	1	LABEL CAUTION FRONT CHN 17X35	DCP-7090DW		
11	D00UYR001	1	LABEL CAUTION FRONT CHN 17X35	DCP-7190DW		
11	D00UYR001	1	LABEL CAUTION FRONT CHN 17X35	DCP-7195DW		
11	D00LGZ001	1	LABEL CAUTION FRONT 17X35	DCP-B7500D	FOR IND	
11	D00UYR001	1	LABEL CAUTION FRONT CHN 17X35	DCP-B7500D	FOR CHN	
11	D00LGZ001	1	LABEL CAUTION FRONT 17X35	DCP-B7520DW	FOR BRA/CEE	
11	D00UYR001	1	LABEL CAUTION FRONT CHN 17X35	DCP-B7520DW	FOR CHN	
11	D00UYR001	1	LABEL CAUTION FRONT CHN 17X35	DCP-B7530DN		
11	D00UYR001	1	LABEL CAUTION FRONT CHN 17X35	DCP-B7535DW	FOR CHN	
11	D00LGZ001	1	LABEL CAUTION FRONT 17X35	DCP-B7535DW	FOR VNM/IDN/BRA/IND/MEX	
11	D00LGZ001	1	LABEL CAUTION FRONT 17X35	DCP-L2510D		
11	D00LGZ001	1	LABEL CAUTION FRONT 17X35	DCP-L2512D		
11	D00LGZ001	1	LABEL CAUTION FRONT 17X35	DCP-L2530DW		
11	D00LGZ001	1	LABEL CAUTION FRONT 17X35	DCP-L2531DW		
11	D00LGZ001	1	LABEL CAUTION FRONT 17X35	DCP-L2532DW		
11	D00LGZ001	1	LABEL CAUTION FRONT 17X35	DCP-L2535D		
11	D00UYR001	1	LABEL CAUTION FRONT CHN 17X35	DCP-L2535DW	FOR CHN	
11	D00LGZ001	1	LABEL CAUTION FRONT 17X35	DCP-L2535DW	FOR ASA	
11	D00LGZ001	1	LABEL CAUTION FRONT 17X35	DCP-L2537DW		
11	D00LGZ001	1	LABEL CAUTION FRONT 17X35	DCP-L2550DN		
11	D00UYR001	1	LABEL CAUTION FRONT CHN 17X35	DCP-L2550DW	FOR CHN	
11	D00LGZ001	1	LABEL CAUTION FRONT 17X35	DCP-L2550DW	FOR PHL/ASA/CAN	
11	D00LGX001	1	LABEL CAUTION FRONT US 17X100	DCP-L2550DW	FOR USA	
11	D00LGZ001	1	LABEL CAUTION FRONT 17X35	DCP-L2551DN		
11	D00LGZ001	1	LABEL CAUTION FRONT 17X35	DCP-L2551DW		
11	D00LGZ001	1	LABEL CAUTION FRONT 17X35	DCP-L2552DN		
11	D00LGX001	1	LABEL CAUTION FRONT US 17X100	HL-L2390DW	FOR USA	
11	D00LGZ001	1	LABEL CAUTION FRONT 17X35	HL-L2390DW	FOR CAN	
11	D00LGX001	1	LABEL CAUTION FRONT US 17X100	HL-L2395DW	FOR USA	
11	D00LGZ001	1	LABEL CAUTION FRONT 17X35	HL-L2395DW	FOR CAN/ARL	
11	D00UYR001	1	LABEL CAUTION FRONT CHN 17X35	MFC-7895DW		
11	D00UYR001	1	LABEL CAUTION FRONT CHN 17X35	MFC-B7700D		
11	D00LGZ001	1	LABEL CAUTION FRONT 17X35	MFC-B7715DW		
11	D00UYR001	1	LABEL CAUTION FRONT CHN 17X35	MFC-B7720DN		
11	D00LGX001	1	LABEL CAUTION FRONT US 17X100	MFC-L2690DW		
11	D00LGX001	1	LABEL CAUTION FRONT US 17X100	MFC-L2690DWXL		
11	D00LGZ001	1	LABEL CAUTION FRONT 17X35	MFC-L2710DN		
11	D00LGX001	1	LABEL CAUTION FRONT US 17X100	MFC-L2710DW	FOR USA	
11	D00LGZ001	1	LABEL CAUTION FRONT 17X35	MFC-L2710DW	FOR CAN/GER/UK/FRA/ARL/BEL/ NLD/SWI/ITA/ISR/PND/IBE	
11	D00LGZ001	1	LABEL CAUTION FRONT 17X35	MFC-L2712DN		
11	D00LGZ001	1	LABEL CAUTION FRONT 17X35	MFC-L2712DW		
11	D00LGZ001	1	LABEL CAUTION FRONT 17X35	MFC-L2713DW		
11	D00LGZ001	1	LABEL CAUTION FRONT 17X35	MFC-L2715DW		
11	D00LGZ001	1	LABEL CAUTION FRONT 17X35	MFC-L2716DW		
11	D00LGX001	1	LABEL CAUTION FRONT US 17X100	MFC-L2717DW		
11	D00LGZ001	1	LABEL CAUTION FRONT 17X35	MFC-L2730DW	FOR CAN/GER/UK/ARL/SWI/ITA/ IBE/FRA/BEL/NLD/PND	
11	D00LGX001	1	LABEL CAUTION FRONT US 17X100	MFC-L2730DW	FOR USA	
11	D00LGZ001	1	LABEL CAUTION FRONT 17X35	MFC-L2732DW		

8. COVERS & LABELS

REF No.	CODE	Q'TY	DESCRIPTION	MODEL	SPEC	REMARKS
11	D00LGZ001	1	LABEL CAUTION FRONT 17X35	MFC-L2750DW	FOR PHL/ASA/CAN/GER/UK/ARL/ SWI/ITA/IBE/FRA/BEL/NLD/PND FOR USA	
11	D00UKC001	1	LABEL CAUTION FRONT SHY 17X100	MFC-L2750DW		
11	D00UKC001	1	LABEL CAUTION FRONT SHY 17X100	MFC-L2750DWXL		
11	D00LGZ001	1	LABEL CAUTION FRONT 17X35	MFC-L2751DW		
11	D00LGZ001	1	LABEL CAUTION FRONT 17X35	MFC-L2752DW		
11	D00LGZ001	1	LABEL CAUTION FRONT 17X35	MFC-L2770DW		
11	D00LGZ001	1	LABEL CAUTION FRONT 17X35	MFC-L2771DW		

9. DOCUMENT SCANNER



9. DOCUMENT SCANNER

REF No.	CODE	Q'TY	DESCRIPTION	MODEL	SPEC	REMARKS
1	D01PFF001	1	DOCUMENT SCANNER UNIT SP	DCP-7090DW		
1	D00X80001	1	DOCUMENT SCANNER UNIT SP	DCP-7190DW		
1	D00X86001	1	DOCUMENT SCANNER UNIT SP	DCP-7195DW		chg
1	D00X7Y001	1	DOCUMENT SCANNER UNIT SP	DCP-B7500D		
1	D00X7Y001	1	DOCUMENT SCANNER UNIT SP	DCP-B7520DW	FOR BRA/CEE	
1	D00UU2001	1	DOCUMENT SCANNER UNIT SP	DCP-B7520DW	FOR CHN	
1	D00UU2001	1	DOCUMENT SCANNER UNIT SP	DCP-B7530DN		
1	D00UU2001	1	DOCUMENT SCANNER UNIT SP	DCP-B7535DW		
1	D00UTG001	1	DOCUMENT SCANNER UNIT SP	DCP-L2510D		
1	D00UTG001	1	DOCUMENT SCANNER UNIT SP	DCP-L2512D		
1	D00UTG001	1	DOCUMENT SCANNER UNIT SP	DCP-L2530DW		
1	D00UTG001	1	DOCUMENT SCANNER UNIT SP	DCP-L2531DW		
1	D00UTG001	1	DOCUMENT SCANNER UNIT SP	DCP-L2532DW		
1	D00UTG001	1	DOCUMENT SCANNER UNIT SP	DCP-L2535D		
1	D00UTG001	1	DOCUMENT SCANNER UNIT SP	DCP-L2535DW	FOR CHN	
1	D015XF001	1	DOCUMENT SCANNER BLIND SP2	DCP-L2535DW	FOR ASA	chg
1	D00UTG001	1	DOCUMENT SCANNER UNIT SP	DCP-L2537DW		
1	D00X80001	1	DOCUMENT SCANNER UNIT SP	DCP-L2550DN		
1	D00X81001	1	DOCUMENT SCANNER UNIT SP	DCP-L2550DW	FOR CHN/USA/CAN	
1	D015XH001	1	DOCUMENT SCANNER SX SP2	DCP-L2550DW	FOR PHL/ASA	chg
1	D00X80001	1	DOCUMENT SCANNER UNIT SP	DCP-L2551DN		
1	D00X81001	1	DOCUMENT SCANNER UNIT SP	DCP-L2551DW		
1	D00X80001	1	DOCUMENT SCANNER UNIT SP	DCP-L2552DN		
1	D00UTG001	1	DOCUMENT SCANNER UNIT SP	HL-L2390DW		
1	D00UU3001	1	DOCUMENT SCANNER UNIT SP	HL-L2395DW		
1	D00X87001	1	DOCUMENT SCANNER UNIT SP	MFC-7895DW		
1	D00UU2001	1	DOCUMENT SCANNER UNIT SP	MFC-B7700D		
1	D00UU2001	1	DOCUMENT SCANNER UNIT SP	MFC-B7715DW		
1	D00UU2001	1	DOCUMENT SCANNER UNIT SP	MFC-B7720DN		
1	D00X81001	1	DOCUMENT SCANNER UNIT SP	MFC-L2690DW		
1	D00X81001	1	DOCUMENT SCANNER UNIT SP	MFC-L2690DWXL		
1	D00X81001	1	DOCUMENT SCANNER UNIT SP	MFC-L2710DN		
1	D00X81001	1	DOCUMENT SCANNER UNIT SP	MFC-L2710DW		
1	D00X81001	1	DOCUMENT SCANNER UNIT SP	MFC-L2712DN		
1	D00X81001	1	DOCUMENT SCANNER UNIT SP	MFC-L2712DW		
1	D00X81001	1	DOCUMENT SCANNER UNIT SP	MFC-L2713DW		
1	D00X81001	1	DOCUMENT SCANNER UNIT SP	MFC-L2715DW	FOR TWN/KOR	
1	D015XH001	1	DOCUMENT SCANNER SX SP2	MFC-L2715DW	FOR ASA	chg
1	D00X81001	1	DOCUMENT SCANNER UNIT SP	MFC-L2716DW		
1	D00X81001	1	DOCUMENT SCANNER UNIT SP	MFC-L2717DW		
1	D00UU5001	1	DOCUMENT SCANNER UNIT SP	MFC-L2730DW		
1	D00UU5001	1	DOCUMENT SCANNER UNIT SP	MFC-L2732DW		
1	D015XJ001	1	DOCUMENT SCANNER DX SP2	MFC-L2750DW	FOR PHL/ASA	chg
1	D00XJ2001	1	DOCUMENT SCANNER UNIT SP	MFC-L2750DW	FOR USA/CAN/GER/UK/ARL/SWI/ ITA/IBE/FRA/BEL/NLD/PND	chg
1	D00XJ2001	1	DOCUMENT SCANNER UNIT SP	MFC-L2750DWXL		chg
1	D00XJ2001	1	DOCUMENT SCANNER UNIT SP	MFC-L2751DW		chg
1	D00XJ2001	1	DOCUMENT SCANNER UNIT SP	MFC-L2752DW		
1	D00X87001	1	DOCUMENT SCANNER UNIT SP	MFC-L2770DW	FOR TWN/KOR/NZ	
1	D015XK001	1	DOCUMENT SCANNER DX SP2	MFC-L2770DW	FOR PHL/ASA	chg
1	D00X87001	1	DOCUMENT SCANNER UNIT SP	MFC-L2771DW		
1-1	D00G04001	1	FIRST SIDE CIS UNIT			
1-2	D00G05001	1	FIRST SIDE CIS FLAT CABLE	DCP-7090DW		
1-2	D00G05001	1	FIRST SIDE CIS FLAT CABLE	DCP-7190DW		
1-2	D00L0U001	1	FIRST SIDE CIS FLAT CABLE WHITE	DCP-7195DW		
1-2	D00L0U001	1	FIRST SIDE CIS FLAT CABLE WHITE	DCP-B7500D		
1-2	D00L0U001	1	FIRST SIDE CIS FLAT CABLE WHITE	DCP-B7520DW		
1-2	D00L0U001	1	FIRST SIDE CIS FLAT CABLE WHITE	DCP-B7530DN		
1-2	D00L0U001	1	FIRST SIDE CIS FLAT CABLE WHITE	DCP-B7535DW		
1-2	D00G05001	1	FIRST SIDE CIS FLAT CABLE	DCP-L2510D		

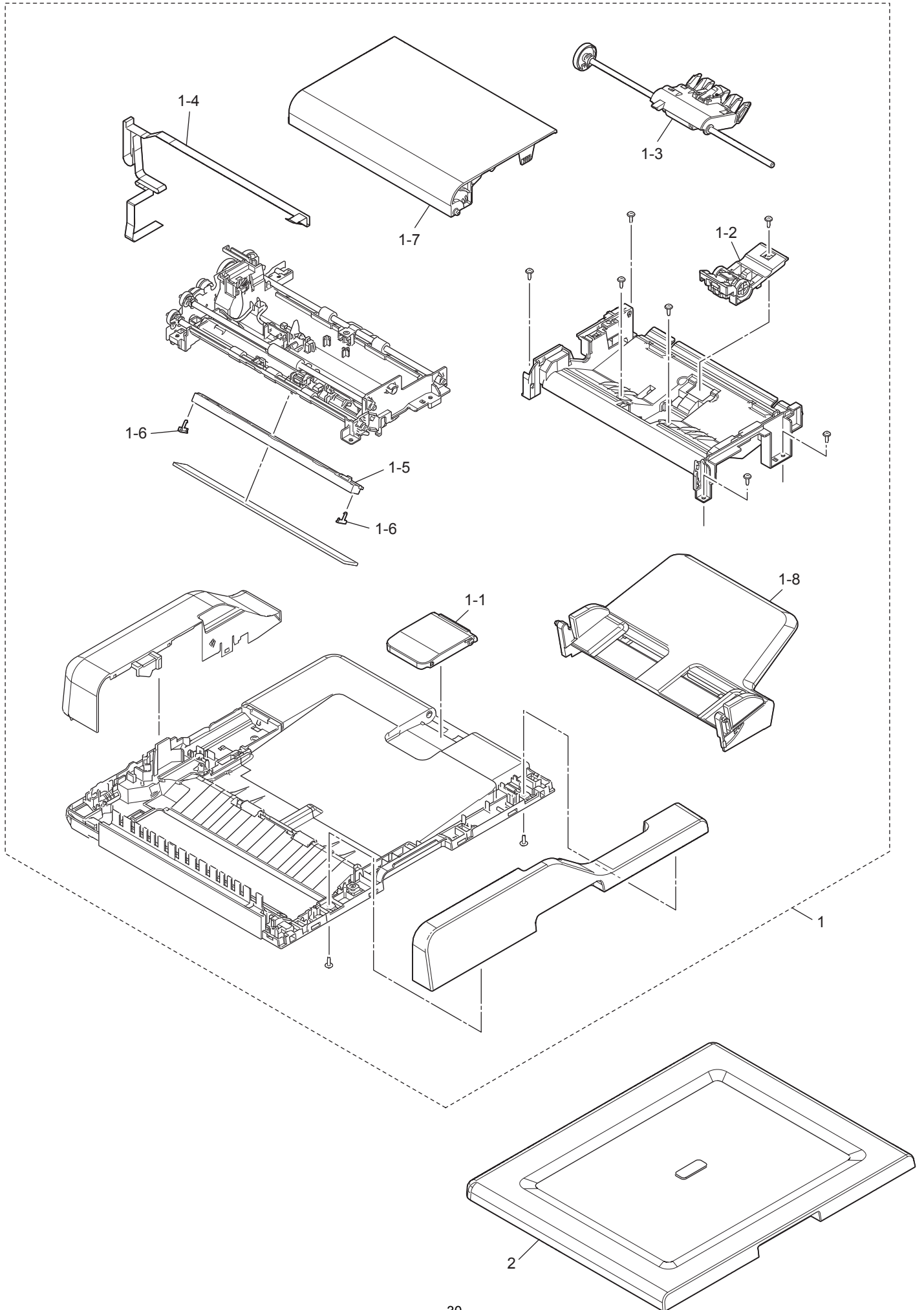
9. DOCUMENT SCANNER

REF No.	CODE	Q'TY	DESCRIPTION	MODEL	SPEC	REMARKS
1-2	D00G05001	1	FIRST SIDE CIS FLAT CABLE	DCP-L2512D		
1-2	D00G05001	1	FIRST SIDE CIS FLAT CABLE	DCP-L2530DW		
1-2	D00G05001	1	FIRST SIDE CIS FLAT CABLE	DCP-L2531DW		
1-2	D00G05001	1	FIRST SIDE CIS FLAT CABLE	DCP-L2532DW		
1-2	D00G05001	1	FIRST SIDE CIS FLAT CABLE	DCP-L2535D		
1-2	D00G05001	1	FIRST SIDE CIS FLAT CABLE	DCP-L2535DW		
1-2	D00G05001	1	FIRST SIDE CIS FLAT CABLE	DCP-L2537DW		
1-2	D00G05001	1	FIRST SIDE CIS FLAT CABLE	DCP-L2550DN		
1-2	D00G05001	1	FIRST SIDE CIS FLAT CABLE	DCP-L2550DW		
1-2	D00G05001	1	FIRST SIDE CIS FLAT CABLE	DCP-L2551DN		
1-2	D00G05001	1	FIRST SIDE CIS FLAT CABLE	DCP-L2551DW		
1-2	D00G05001	1	FIRST SIDE CIS FLAT CABLE	DCP-L2552DN		
1-2	D00G05001	1	FIRST SIDE CIS FLAT CABLE	HL-L2390DW		
1-2	D00G05001	1	FIRST SIDE CIS FLAT CABLE	HL-L2395DW		
1-2	D00L0U001	1	FIRST SIDE CIS FLAT CABLE WHITE	MFC-7895DW		
1-2	D00L0U001	1	FIRST SIDE CIS FLAT CABLE WHITE	MFC-B7700D		
1-2	D00L0U001	1	FIRST SIDE CIS FLAT CABLE WHITE	MFC-B7715DW		
1-2	D00L0U001	1	FIRST SIDE CIS FLAT CABLE WHITE	MFC-B7720DN		
1-2	D00G05001	1	FIRST SIDE CIS FLAT CABLE	MFC-L2690DW		
1-2	D00G05001	1	FIRST SIDE CIS FLAT CABLE	MFC-L2690DWXL		
1-2	D00G05001	1	FIRST SIDE CIS FLAT CABLE	MFC-L2710DN		
1-2	D00G05001	1	FIRST SIDE CIS FLAT CABLE	MFC-L2710DW		
1-2	D00G05001	1	FIRST SIDE CIS FLAT CABLE	MFC-L2712DN		
1-2	D00G05001	1	FIRST SIDE CIS FLAT CABLE	MFC-L2712DW		
1-2	D00G05001	1	FIRST SIDE CIS FLAT CABLE	MFC-L2713DW		
1-2	D00G05001	1	FIRST SIDE CIS FLAT CABLE	MFC-L2715DW		
1-2	D00G05001	1	FIRST SIDE CIS FLAT CABLE	MFC-L2716DW		
1-2	D00G05001	1	FIRST SIDE CIS FLAT CABLE	MFC-L2717DW		
1-2	D00G05001	1	FIRST SIDE CIS FLAT CABLE	MFC-L2730DW		
1-2	D00G05001	1	FIRST SIDE CIS FLAT CABLE	MFC-L2732DW		
1-2	D00G05001	1	FIRST SIDE CIS FLAT CABLE	MFC-L2750DW		
1-2	D00G05001	1	FIRST SIDE CIS FLAT CABLE	MFC-L2750DWXL		
1-2	D00G05001	1	FIRST SIDE CIS FLAT CABLE	MFC-L2751DW		
1-2	D00G05001	1	FIRST SIDE CIS FLAT CABLE	MFC-L2752DW		
1-2	D00L0U001	1	FIRST SIDE CIS FLAT CABLE WHITE	MFC-L2770DW		
1-2	D00L0U001	1	FIRST SIDE CIS FLAT CABLE WHITE	MFC-L2771DW		
1-3	D00ATN001	1	ADF CLEAN UP LABEL	DCP-7190DW		
1-3	D00ATN001	1	ADF CLEAN UP LABEL	DCP-7195DW		
1-3	D00ATN001	1	ADF CLEAN UP LABEL	DCP-B7530DN		
1-3	D00ATN001	1	ADF CLEAN UP LABEL	DCP-B7535DW		
1-3	D00ATN001	1	ADF CLEAN UP LABEL	DCP-L2550DN		
1-3	D00ATN001	1	ADF CLEAN UP LABEL	DCP-L2550DW		
1-3	D00ATN001	1	ADF CLEAN UP LABEL	DCP-L2551DN		
1-3	D00ATN001	1	ADF CLEAN UP LABEL	DCP-L2551DW		
1-3	D00ATN001	1	ADF CLEAN UP LABEL	DCP-L2552DN		
1-3	D00ATX001	1	ADF CLEAN UP LABEL	MFC-7895DW		
1-3	D00ATN001	1	ADF CLEAN UP LABEL	MFC-B7700D		
1-3	D00ATN001	1	ADF CLEAN UP LABEL	MFC-B7715DW		
1-3	D00ATN001	1	ADF CLEAN UP LABEL	MFC-B7720DN		
1-3	D00ATN001	1	ADF CLEAN UP LABEL	MFC-L2690DW		
1-3	D00ATN001	1	ADF CLEAN UP LABEL	MFC-L2690DWXL		
1-3	D00ATN001	1	ADF CLEAN UP LABEL	MFC-L2710DN		
1-3	D00ATN001	1	ADF CLEAN UP LABEL	MFC-L2710DW		
1-3	D00ATN001	1	ADF CLEAN UP LABEL	MFC-L2712DN		
1-3	D00ATN001	1	ADF CLEAN UP LABEL	MFC-L2712DW		
1-3	D00ATN001	1	ADF CLEAN UP LABEL	MFC-L2713DW		
1-3	D00ATN001	1	ADF CLEAN UP LABEL	MFC-L2715DW		
1-3	D00ATN001	1	ADF CLEAN UP LABEL	MFC-L2716DW		
1-3	D00ATN001	1	ADF CLEAN UP LABEL	MFC-L2717DW		

9. DOCUMENT SCANNER

REF No.	CODE	Q'TY	DESCRIPTION	MODEL	SPEC	REMARKS
1-3	D00ATN001	1	ADF CLEAN UP LABEL	MFC-L2730DW		
1-3	D00ATN001	1	ADF CLEAN UP LABEL	MFC-L2732DW		
1-3	D00ATX001	1	ADF CLEAN UP LABEL	MFC-L2750DW		
1-3	D00ATX001	1	ADF CLEAN UP LABEL	MFC-L2750DWXL		
1-3	D00ATX001	1	ADF CLEAN UP LABEL	MFC-L2751DW		
1-3	D00ATX001	1	ADF CLEAN UP LABEL	MFC-L2752DW		
1-3	D00ATX001	1	ADF CLEAN UP LABEL	MFC-L2770DW		
1-3	D00ATX001	1	ADF CLEAN UP LABEL	MFC-L2771DW		
1-4	D009GD001	1	PANEL FLAT CABLE	DCP-7090DW		
1-4	D009GD001	1	PANEL FLAT CABLE	DCP-7190DW		
1-4	D009GC001	1	PANEL FLAT CABLE	DCP-7195DW		
1-4	D009GD001	1	PANEL FLAT CABLE	DCP-B7500D		
1-4	D009GD001	1	PANEL FLAT CABLE	DCP-B7520DW		
1-4	D009GD001	1	PANEL FLAT CABLE	DCP-B7530DN		
1-4	D009GD001	1	PANEL FLAT CABLE	DCP-B7535DW		
1-4	D009GD001	1	PANEL FLAT CABLE	DCP-L2510D		
1-4	D009GD001	1	PANEL FLAT CABLE	DCP-L2512D		
1-4	D009GD001	1	PANEL FLAT CABLE	DCP-L2530DW		
1-4	D009GD001	1	PANEL FLAT CABLE	DCP-L2531DW		
1-4	D009GD001	1	PANEL FLAT CABLE	DCP-L2532DW		
1-4	D009GD001	1	PANEL FLAT CABLE	DCP-L2535D		
1-4	D009GD001	1	PANEL FLAT CABLE	DCP-L2535DW		
1-4	D009GD001	1	PANEL FLAT CABLE	DCP-L2537DW		
1-4	D009GD001	1	PANEL FLAT CABLE	DCP-L2550DN		
1-4	D009GD001	1	PANEL FLAT CABLE	DCP-L2550DW		
1-4	D009GD001	1	PANEL FLAT CABLE	DCP-L2551DN		
1-4	D009GD001	1	PANEL FLAT CABLE	DCP-L2551DW		
1-4	D009GD001	1	PANEL FLAT CABLE	DCP-L2552DN		
1-4	D009GD001	1	PANEL FLAT CABLE	HL-L2390DW		
1-4	D009GC001	1	PANEL FLAT CABLE	HL-L2395DW		
1-4	D009GC001	1	PANEL FLAT CABLE	MFC-7895DW		
1-4	D009GD001	1	PANEL FLAT CABLE	MFC-B7700D		
1-4	D009GD001	1	PANEL FLAT CABLE	MFC-B7715DW		
1-4	D009GD001	1	PANEL FLAT CABLE	MFC-B7720DN		
1-4	D009GD001	1	PANEL FLAT CABLE	MFC-L2690DW		
1-4	D009GD001	1	PANEL FLAT CABLE	MFC-L2690DWXL		
1-4	D009GD001	1	PANEL FLAT CABLE	MFC-L2710DN		
1-4	D009GD001	1	PANEL FLAT CABLE	MFC-L2710DW		
1-4	D009GD001	1	PANEL FLAT CABLE	MFC-L2712DN		
1-4	D009GD001	1	PANEL FLAT CABLE	MFC-L2712DW		
1-4	D009GD001	1	PANEL FLAT CABLE	MFC-L2713DW		
1-4	D009GD001	1	PANEL FLAT CABLE	MFC-L2715DW		
1-4	D009GD001	1	PANEL FLAT CABLE	MFC-L2716DW		
1-4	D009GD001	1	PANEL FLAT CABLE	MFC-L2717DW		
1-4	D009GC001	1	PANEL FLAT CABLE	MFC-L2730DW		
1-4	D009GC001	1	PANEL FLAT CABLE	MFC-L2732DW		
1-4	D009GC001	1	PANEL FLAT CABLE	MFC-L2750DW		
1-4	D009GC001	1	PANEL FLAT CABLE	MFC-L2750DWXL		
1-4	D009GC001	1	PANEL FLAT CABLE	MFC-L2751DW		
1-4	D009GC001	1	PANEL FLAT CABLE	MFC-L2752DW		
1-4	D009GC001	1	PANEL FLAT CABLE	MFC-L2770DW		
1-4	D009GC001	1	PANEL FLAT CABLE	MFC-L2771DW		

10. ADF & DOCUMENT COVER



10. ADF & DOCUMENT COVER

REF No.	CODE	Q'TY	DESCRIPTION	MODEL	SPEC	REMARKS
1	D014V4001	1	ADF UNIT SP	DCP-7190DW		chg
1	D014V4002	1	ADF UNIT SP	DCP-7195DW		chg
1	D014V4002	1	ADF UNIT SP	DCP-B7530DN		chg
1	D014V4002	1	ADF UNIT SP	DCP-B7535DW		chg
1	D014V4001	1	ADF UNIT SP	DCP-L2550DN		chg
1	D014V4003	1	ADF UNIT SP	DCP-L2550DW		chg
1	D014V4001	1	ADF UNIT SP	DCP-L2551DN		chg
1	D014V4003	1	ADF UNIT SP	DCP-L2551DW		chg
1	D014V4001	1	ADF UNIT SP	DCP-L2552DN		chg
1	D014V2002	1	ADF UNIT SP	MFC-7895DW		chg
1	D014V4002	1	ADF UNIT SP	MFC-B7700D		chg
1	D014V4002	1	ADF UNIT SP	MFC-B7715DW		chg
1	D014V4002	1	ADF UNIT SP	MFC-B7720DN		chg
1	D014V4001	1	ADF UNIT SP	MFC-L2690DW		chg
1	D014V4001	1	ADF UNIT SP	MFC-L2690DWXL		chg
1	D014V4001	1	ADF UNIT SP	MFC-L2710DN		chg
1	D014V4001	1	ADF UNIT SP	MFC-L2710DW		chg
1	D014V4001	1	ADF UNIT SP	MFC-L2712DN		chg
1	D014V4001	1	ADF UNIT SP	MFC-L2712DW		chg
1	D014V4001	1	ADF UNIT SP	MFC-L2713DW		chg
1	D014V4001	1	ADF UNIT SP	MFC-L2715DW		chg
1	D014V4001	1	ADF UNIT SP	MFC-L2716DW		chg
1	D014V4001	1	ADF UNIT SP	MFC-L2717DW		chg
1	D014V4001	1	ADF UNIT SP	MFC-L2730DW		chg
1	D014V4001	1	ADF UNIT SP	MFC-L2732DW		chg
1	D014V2001	1	ADF UNIT SP	MFC-L2750DW		chg
1	D014V2001	1	ADF UNIT SP	MFC-L2750DWXL		chg
1	D014V2001	1	ADF UNIT SP	MFC-L2751DW		chg
1	D014V2001	1	ADF UNIT SP	MFC-L2752DW		chg
1	D014V2002	1	ADF UNIT SP	MFC-L2770DW		chg
1	D014V2002	1	ADF UNIT SP	MFC-L2771DW		chg
1-1	D008VF001	1	DOCUMENT STOPPER ASSY	DCP-7190DW		
1-1	D008VF002	1	DOCUMENT STOPPER ASSY	DCP-7195DW		
1-1	D008VF002	1	DOCUMENT STOPPER ASSY	DCP-B7530DN		
1-1	D008VF002	1	DOCUMENT STOPPER ASSY	DCP-B7535DW		
1-1	D008VF001	1	DOCUMENT STOPPER ASSY	DCP-L2550DN		
1-1	D008VF001	1	DOCUMENT STOPPER ASSY	DCP-L2550DW		
1-1	D008VF001	1	DOCUMENT STOPPER ASSY	DCP-L2551DN		
1-1	D008VF001	1	DOCUMENT STOPPER ASSY	DCP-L2551DW		
1-1	D008VF001	1	DOCUMENT STOPPER ASSY	DCP-L2552DN		
1-1	D008VF002	1	DOCUMENT STOPPER ASSY	MFC-7895DW		
1-1	D008VF002	1	DOCUMENT STOPPER ASSY	MFC-B7700D		
1-1	D008VF002	1	DOCUMENT STOPPER ASSY	MFC-B7715DW		
1-1	D008VF002	1	DOCUMENT STOPPER ASSY	MFC-B7720DN		
1-1	D008VF001	1	DOCUMENT STOPPER ASSY	MFC-L2690DW		
1-1	D008VF001	1	DOCUMENT STOPPER ASSY	MFC-L2690DWXL		
1-1	D008VF001	1	DOCUMENT STOPPER ASSY	MFC-L2710DN		
1-1	D008VF001	1	DOCUMENT STOPPER ASSY	MFC-L2710DW		
1-1	D008VF001	1	DOCUMENT STOPPER ASSY	MFC-L2712DN		
1-1	D008VF001	1	DOCUMENT STOPPER ASSY	MFC-L2712DW		
1-1	D008VF001	1	DOCUMENT STOPPER ASSY	MFC-L2713DW		
1-1	D008VF001	1	DOCUMENT STOPPER ASSY	MFC-L2715DW		
1-1	D008VF001	1	DOCUMENT STOPPER ASSY	MFC-L2716DW		
1-1	D008VF001	1	DOCUMENT STOPPER ASSY	MFC-L2717DW		
1-1	D008VF001	1	DOCUMENT STOPPER ASSY	MFC-L2730DW		
1-1	D008VF001	1	DOCUMENT STOPPER ASSY	MFC-L2732DW		
1-1	D008VF001	1	DOCUMENT STOPPER ASSY	MFC-L2750DW		
1-1	D008VF001	1	DOCUMENT STOPPER ASSY	MFC-L2750DWXL		
1-1	D008VF001	1	DOCUMENT STOPPER ASSY	MFC-L2751DW		
1-1	D008VF001	1	DOCUMENT STOPPER ASSY	MFC-L2752DW		
1-1	D008VF002	1	DOCUMENT STOPPER ASSY	MFC-L2770DW		
1-1	D008VF002	1	DOCUMENT STOPPER ASSY	MFC-L2771DW		
1-2	D008V0001	1	SEPARATE HOLDER ASSY	DCP-7190DW		
1-2	D008V0001	1	SEPARATE HOLDER ASSY	DCP-7195DW		
1-2	D008V0001	1	SEPARATE HOLDER ASSY	DCP-B7530DN		

10. ADF & DOCUMENT COVER

REF No.	CODE	Q'TY	DESCRIPTION	MODEL	SPEC	REMARKS
1-2	D008V0001	1	SEPARATE HOLDER ASSY	DCP-B7535DW		
1-2	D008V0001	1	SEPARATE HOLDER ASSY	DCP-L2550DN		
1-2	D008V0001	1	SEPARATE HOLDER ASSY	DCP-L2550DW		
1-2	D008V0001	1	SEPARATE HOLDER ASSY	DCP-L2551DN		
1-2	D008V0001	1	SEPARATE HOLDER ASSY	DCP-L2551DW		
1-2	D008V0001	1	SEPARATE HOLDER ASSY	DCP-L2552DN		
1-2	D008V0001	1	SEPARATE HOLDER ASSY	MFC-7895DW		
1-2	D008V0001	1	SEPARATE HOLDER ASSY	MFC-B7700D		
1-2	D008V0001	1	SEPARATE HOLDER ASSY	MFC-B7715DW		
1-2	D008V0001	1	SEPARATE HOLDER ASSY	MFC-B7720DN		
1-2	D008V0001	1	SEPARATE HOLDER ASSY	MFC-L2690DW		
1-2	D008V0001	1	SEPARATE HOLDER ASSY	MFC-L2690DWXL		
1-2	D008V0001	1	SEPARATE HOLDER ASSY	MFC-L2710DN		
1-2	D008V0001	1	SEPARATE HOLDER ASSY	MFC-L2710DW		
1-2	D008V0001	1	SEPARATE HOLDER ASSY	MFC-L2712DN		
1-2	D008V0001	1	SEPARATE HOLDER ASSY	MFC-L2712DW		
1-2	D008V0001	1	SEPARATE HOLDER ASSY	MFC-L2713DW		
1-2	D008V0001	1	SEPARATE HOLDER ASSY	MFC-L2715DW		
1-2	D008V0001	1	SEPARATE HOLDER ASSY	MFC-L2716DW		
1-2	D008V0001	1	SEPARATE HOLDER ASSY	MFC-L2717DW		
1-2	D008V0001	1	SEPARATE HOLDER ASSY	MFC-L2730DW		
1-2	D008V0001	1	SEPARATE HOLDER ASSY	MFC-L2732DW		
1-2	D008V0001	1	SEPARATE HOLDER ASSY	MFC-L2750DW		
1-2	D008V0001	1	SEPARATE HOLDER ASSY	MFC-L2750DWXL		
1-2	D008V0001	1	SEPARATE HOLDER ASSY	MFC-L2751DW		
1-2	D008V0001	1	SEPARATE HOLDER ASSY	MFC-L2752DW		
1-2	D008V0001	1	SEPARATE HOLDER ASSY	MFC-L2770DW		
1-2	D008V0001	1	SEPARATE HOLDER ASSY	MFC-L2771DW		
1-3	D008UZ001	1	SEPARATE ROLLER ASSY	DCP-7190DW		
1-3	D008UZ001	1	SEPARATE ROLLER ASSY	DCP-7195DW		
1-3	D008UZ001	1	SEPARATE ROLLER ASSY	DCP-B7530DN		
1-3	D008UZ001	1	SEPARATE ROLLER ASSY	DCP-B7535DW		
1-3	D008UZ001	1	SEPARATE ROLLER ASSY	DCP-L2550DN		
1-3	D008UZ001	1	SEPARATE ROLLER ASSY	DCP-L2550DW		
1-3	D008UZ001	1	SEPARATE ROLLER ASSY	DCP-L2551DN		
1-3	D008UZ001	1	SEPARATE ROLLER ASSY	DCP-L2551DW		
1-3	D008UZ001	1	SEPARATE ROLLER ASSY	DCP-L2552DN		
1-3	D008UZ001	1	SEPARATE ROLLER ASSY	MFC-7895DW		
1-3	D008UZ001	1	SEPARATE ROLLER ASSY	MFC-B7700D		
1-3	D008UZ001	1	SEPARATE ROLLER ASSY	MFC-B7715DW		
1-3	D008UZ001	1	SEPARATE ROLLER ASSY	MFC-B7720DN		
1-3	D008UZ001	1	SEPARATE ROLLER ASSY	MFC-L2690DW		
1-3	D008UZ001	1	SEPARATE ROLLER ASSY	MFC-L2690DWXL		
1-3	D008UZ001	1	SEPARATE ROLLER ASSY	MFC-L2710DN		
1-3	D008UZ001	1	SEPARATE ROLLER ASSY	MFC-L2710DW		
1-3	D008UZ001	1	SEPARATE ROLLER ASSY	MFC-L2712DN		
1-3	D008UZ001	1	SEPARATE ROLLER ASSY	MFC-L2712DW		
1-3	D008UZ001	1	SEPARATE ROLLER ASSY	MFC-L2713DW		
1-3	D008UZ001	1	SEPARATE ROLLER ASSY	MFC-L2715DW		
1-3	D008UZ001	1	SEPARATE ROLLER ASSY	MFC-L2716DW		
1-3	D008UZ001	1	SEPARATE ROLLER ASSY	MFC-L2717DW		
1-3	D008UZ001	1	SEPARATE ROLLER ASSY	MFC-L2730DW		
1-3	D008UZ001	1	SEPARATE ROLLER ASSY	MFC-L2732DW		
1-3	D008UZ001	1	SEPARATE ROLLER ASSY	MFC-L2750DW		
1-3	D008UZ001	1	SEPARATE ROLLER ASSY	MFC-L2750DWXL		
1-3	D008UZ001	1	SEPARATE ROLLER ASSY	MFC-L2751DW		
1-3	D008UZ001	1	SEPARATE ROLLER ASSY	MFC-L2752DW		
1-3	D008UZ001	1	SEPARATE ROLLER ASSY	MFC-L2770DW		
1-3	D008UZ001	1	SEPARATE ROLLER ASSY	MFC-L2771DW		
1-4	D00G06001	1	SECOND SIDE CIS FLAT CABLE	MFC-7895DW		
1-4	D00G06001	1	SECOND SIDE CIS FLAT CABLE	MFC-L2750DW		
1-4	D00G06001	1	SECOND SIDE CIS FLAT CABLE	MFC-L2750DWXL		
1-4	D00G06001	1	SECOND SIDE CIS FLAT CABLE	MFC-L2751DW		
1-4	D00G06001	1	SECOND SIDE CIS FLAT CABLE	MFC-L2752DW		
1-4	D00G06001	1	SECOND SIDE CIS FLAT CABLE	MFC-L2770DW		

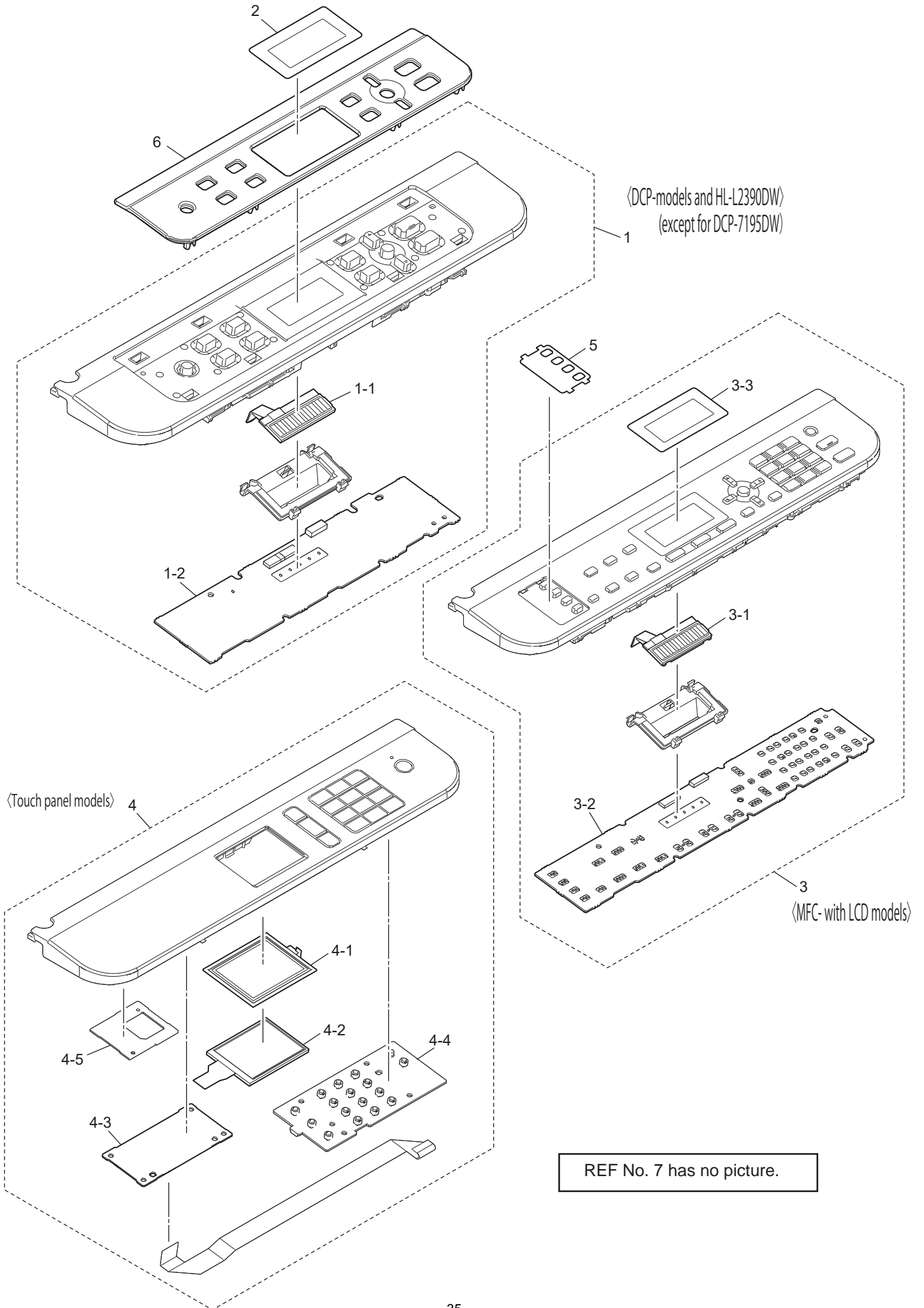
10. ADF & DOCUMENT COVER

REF No.	CODE	Q'TY	DESCRIPTION	MODEL	SPEC	REMARKS
1-4	D00G06001	1	SECOND SIDE CIS FLAT CABLE	MFC-L2771DW		
1-5	D00G04001	1	SECOND SIDE CIS UNIT	MFC-7895DW		
1-5	D00G04001	1	SECOND SIDE CIS UNIT	MFC-L2750DW		
1-5	D00G04001	1	SECOND SIDE CIS UNIT	MFC-L2750DWXL		
1-5	D00G04001	1	SECOND SIDE CIS UNIT	MFC-L2751DW		
1-5	D00G04001	1	SECOND SIDE CIS UNIT	MFC-L2752DW		
1-5	D00G04001	1	SECOND SIDE CIS UNIT	MFC-L2770DW		
1-5	D00G04001	1	SECOND SIDE CIS UNIT	MFC-L2771DW		
1-6	D008W0001	2	CIS SPACER	MFC-7895DW		
1-6	D008W0001	2	CIS SPACER	MFC-L2750DW		
1-6	D008W0001	2	CIS SPACER	MFC-L2750DWXL		
1-6	D008W0001	2	CIS SPACER	MFC-L2751DW		
1-6	D008W0001	2	CIS SPACER	MFC-L2752DW		
1-6	D008W0001	2	CIS SPACER	MFC-L2770DW		
1-6	D008W0001	2	CIS SPACER	MFC-L2771DW		
1-7	D014N3001	1	ADF COVER ASSY	DCP-7190DW		chg
1-7	D014N3002	1	ADF COVER ASSY	DCP-7195DW		chg
1-7	D014N3002	1	ADF COVER ASSY	DCP-B7530DN		chg
1-7	D014N3002	1	ADF COVER ASSY	DCP-B7535DW		chg
1-7	D014N3001	1	ADF COVER ASSY	DCP-L2550DN		chg
1-7	D014N3001	1	ADF COVER ASSY	DCP-L2550DW		chg
1-7	D014N3001	1	ADF COVER ASSY	DCP-L2551DN		chg
1-7	D014N3001	1	ADF COVER ASSY	DCP-L2551DW		chg
1-7	D014N3001	1	ADF COVER ASSY	DCP-L2552DN		chg
1-7	D014N3002	1	ADF COVER ASSY	MFC-7895DW		chg
1-7	D014N3002	1	ADF COVER ASSY	MFC-B7700D		chg
1-7	D014N3002	1	ADF COVER ASSY	MFC-B7715DW		chg
1-7	D014N3002	1	ADF COVER ASSY	MFC-B7720DN		chg
1-7	D014N3001	1	ADF COVER ASSY	MFC-L2690DW		chg
1-7	D014N3001	1	ADF COVER ASSY	MFC-L2690DWXL		chg
1-7	D014N3001	1	ADF COVER ASSY	MFC-L2710DN		chg
1-7	D014N3001	1	ADF COVER ASSY	MFC-L2710DW		chg
1-7	D014N3001	1	ADF COVER ASSY	MFC-L2712DN		chg
1-7	D014N3001	1	ADF COVER ASSY	MFC-L2712DW		chg
1-7	D014N3001	1	ADF COVER ASSY	MFC-L2713DW		chg
1-7	D014N3001	1	ADF COVER ASSY	MFC-L2715DW		chg
1-7	D014N3001	1	ADF COVER ASSY	MFC-L2716DW		chg
1-7	D014N3001	1	ADF COVER ASSY	MFC-L2717DW		chg
1-7	D014N3001	1	ADF COVER ASSY	MFC-L2730DW		chg
1-7	D014N3001	1	ADF COVER ASSY	MFC-L2732DW		chg
1-7	D014N3001	1	ADF COVER ASSY	MFC-L2750DW		chg
1-7	D014N3001	1	ADF COVER ASSY	MFC-L2750DWXL		chg
1-7	D014N3001	1	ADF COVER ASSY	MFC-L2751DW		chg
1-7	D014N3001	1	ADF COVER ASSY	MFC-L2752DW		chg
1-7	D014N3002	1	ADF COVER ASSY	MFC-L2770DW		chg
1-7	D014N3002	1	ADF COVER ASSY	MFC-L2771DW		chg
1-8	D008V9001	1	DOCUMENT SUB TRAY ASSY	DCP-7190DW		
1-8	D008V9002	1	DOCUMENT SUB TRAY ASSY	DCP-7195DW		
1-8	D008V9002	1	DOCUMENT SUB TRAY ASSY	DCP-B7530DN		
1-8	D008V9002	1	DOCUMENT SUB TRAY ASSY	DCP-B7535DW		
1-8	D008V9001	1	DOCUMENT SUB TRAY ASSY	DCP-L2550DN		
1-8	D008V9003	1	DOCUMENT SUB TRAY ASSY	DCP-L2550DW		
1-8	D008V9001	1	DOCUMENT SUB TRAY ASSY	DCP-L2551DN		
1-8	D008V9003	1	DOCUMENT SUB TRAY ASSY	DCP-L2551DW		
1-8	D008V9001	1	DOCUMENT SUB TRAY ASSY	DCP-L2552DN		
1-8	D008V9002	1	DOCUMENT SUB TRAY ASSY	MFC-7895DW		
1-8	D008V9002	1	DOCUMENT SUB TRAY ASSY	MFC-B7700D		
1-8	D008V9002	1	DOCUMENT SUB TRAY ASSY	MFC-B7715DW		
1-8	D008V9002	1	DOCUMENT SUB TRAY ASSY	MFC-B7720DN		
1-8	D008V9001	1	DOCUMENT SUB TRAY ASSY	MFC-L2690DW		
1-8	D008V9001	1	DOCUMENT SUB TRAY ASSY	MFC-L2690DWXL		
1-8	D008V9001	1	DOCUMENT SUB TRAY ASSY	MFC-L2710DN		
1-8	D008V9001	1	DOCUMENT SUB TRAY ASSY	MFC-L2710DW		
1-8	D008V9001	1	DOCUMENT SUB TRAY ASSY	MFC-L2712DN		
1-8	D008V9001	1	DOCUMENT SUB TRAY ASSY	MFC-L2712DW		

10. ADF & DOCUMENT COVER

REF No.	CODE	Q'TY	DESCRIPTION	MODEL	SPEC	REMARKS
1-8	D008V9001	1	DOCUMENT SUB TRAY ASSY	MFC-L2713DW		
1-8	D008V9001	1	DOCUMENT SUB TRAY ASSY	MFC-L2715DW		
1-8	D008V9001	1	DOCUMENT SUB TRAY ASSY	MFC-L2716DW		
1-8	D008V9001	1	DOCUMENT SUB TRAY ASSY	MFC-L2717DW		
1-8	D008V9001	1	DOCUMENT SUB TRAY ASSY	MFC-L2730DW		
1-8	D008V9001	1	DOCUMENT SUB TRAY ASSY	MFC-L2732DW		
1-8	D008V9001	1	DOCUMENT SUB TRAY ASSY	MFC-L2750DW		
1-8	D008V9001	1	DOCUMENT SUB TRAY ASSY	MFC-L2750DWXL		
1-8	D008V9001	1	DOCUMENT SUB TRAY ASSY	MFC-L2751DW		
1-8	D008V9001	1	DOCUMENT SUB TRAY ASSY	MFC-L2752DW		
1-8	D008V9002	1	DOCUMENT SUB TRAY ASSY	MFC-L2770DW		
1-8	D008V9002	1	DOCUMENT SUB TRAY ASSY	MFC-L2771DW		
2	D01PFH001	1	DOCUMENT COVER ASSY SP	DCP-7090DW		
2	D00X8D001	1	DOCUMENT COVER ASSY SP	DCP-B7500D		
2	D00X8D001	1	DOCUMENT COVER ASSY SP	DCP-B7520DW		
2	D00X8B001	1	DOCUMENT COVER ASSY SP	DCP-L2510D		
2	D00X8B001	1	DOCUMENT COVER ASSY SP	DCP-L2512D		
2	D00X8B001	1	DOCUMENT COVER ASSY SP	DCP-L2530DW		
2	D00X8B001	1	DOCUMENT COVER ASSY SP	DCP-L2531DW		
2	D00X8B001	1	DOCUMENT COVER ASSY SP	DCP-L2532DW		
2	D00X8B001	1	DOCUMENT COVER ASSY SP	DCP-L2535D		
2	D00X8B001	1	DOCUMENT COVER ASSY SP	DCP-L2535DW		
2	D00X8B001	1	DOCUMENT COVER ASSY SP	DCP-L2537DW		
2	D00UUD001	1	DOCUMENT COVER ASSY SP	HL-L2390DW		
2	D00UUE001	1	DOCUMENT COVER ASSY SP	HL-L2395DW		

11. PANEL



11. PANEL

REF No.	CODE	Q'TY	DESCRIPTION	MODEL	SPEC	REMARKS
1	D00TM2001	1	PANEL UNIT	DCP-7090DW		
1	D00T9R001	1	PANEL UNIT	DCP-7190DW		
1	D00J5E002	1	PANEL UNIT	DCP-B7500D	FOR CHN	
1	D00R10002	1	PANEL UNIT	DCP-B7500D	FOR IND	
1	D018AV002	1	PANEL UNIT	DCP-B7520DW	FOR CHN	
1	D00HAX002	1	PANEL UNIT	DCP-B7520DW	FOR BRA/CEE	
1	D00MSV002	1	PANEL UNIT	DCP-B7530DN		
1	D018AW002	1	PANEL UNIT	DCP-B7535DW	FOR CHN	
1	D00MSF002	1	PANEL UNIT	DCP-B7535DW	FOR VNM/IDN/BRA/IND/MEX	
1	D00R10001	1	PANEL UNIT	DCP-L2510D		
1	D00R10001	1	PANEL UNIT	DCP-L2512D		
1	D00HAX001	1	PANEL UNIT	DCP-L2530DW		
1	D00HAX001	1	PANEL UNIT	DCP-L2531DW		
1	D00HAX001	1	PANEL UNIT	DCP-L2532DW		
1	D00R10001	1	PANEL UNIT	DCP-L2535D		
1	D00TM2001	1	PANEL UNIT	DCP-L2535DW	FOR CHN	
1	D00HAX001	1	PANEL UNIT	DCP-L2535DW	FOR ASA	
1	D00HAX001	1	PANEL UNIT	DCP-L2537DW		
1	D00MSJ001	1	PANEL UNIT	DCP-L2550DN		
1	D00T9R001	1	PANEL UNIT	DCP-L2550DW	FOR CHN	
1	D00MSF001	1	PANEL UNIT	DCP-L2550DW	FOR PHL/ASA	
1	D0107H001	1	PANEL UNIT	DCP-L2550DW	FOR USA/CAN	chg
1	D00MSJ001	1	PANEL UNIT	DCP-L2551DN		
1	D00MSF001	1	PANEL UNIT	DCP-L2551DW		
1	D00MSJ001	1	PANEL UNIT	DCP-L2552DN		
1	D0107A001	1	PANEL UNIT	HL-L2390DW		chg
1-1	D00CV4001	1	LCD	DCP-7090DW		
1-1	D00CV4001	1	LCD	DCP-7190DW		
1-1	D00CV4001	1	LCD	DCP-B7500D	FOR CHN	
1-1	D00E11001	1	LCD	DCP-B7500D	FOR IND	
1-1	D00CV4001	1	LCD	DCP-B7520DW	FOR CHN	
1-1	D00E11001	1	LCD	DCP-B7520DW	FOR BRA/CEE	
1-1	D00CV4001	1	LCD	DCP-B7530DN		
1-1	D00CV4001	1	LCD	DCP-B7535DW	FOR CHN	
1-1	D00E11001	1	LCD	DCP-B7535DW	FOR VNM/IDN/BRA/IND/MEX	
1-1	D00E11001	1	LCD	DCP-L2510D		
1-1	D00E11001	1	LCD	DCP-L2512D		
1-1	D00E11001	1	LCD	DCP-L2530DW		
1-1	D00E11001	1	LCD	DCP-L2531DW		
1-1	D00E11001	1	LCD	DCP-L2532DW		
1-1	D00E11001	1	LCD	DCP-L2535D		
1-1	D00CV4001	1	LCD	DCP-L2535DW	FOR CHN	
1-1	D00E11001	1	LCD	DCP-L2535DW	FOR ASA	
1-1	D00E11001	1	LCD	DCP-L2537DW		
1-1	D00E11001	1	LCD	DCP-L2550DN		
1-1	D00CV4001	1	LCD	DCP-L2550DW	FOR CHN	
1-1	D00E11001	1	LCD	DCP-L2550DW	FOR PHL/ASA	
1-1	D00MZZ001	1	LCD	DCP-L2550DW	FOR USA/CAN	chg
1-1	D00E11001	1	LCD	DCP-L2551DN		
1-1	D00E11001	1	LCD	DCP-L2551DW		
1-1	D00E11001	1	LCD	DCP-L2552DN		
1-1	D00MZZ001	1	LCD	HL-L2390DW		chg
1-2	D00CV6001	1	PANEL PCB ASSY	DCP-7090DW		
1-2	D00CV6001	1	PANEL PCB ASSY	DCP-7190DW		
1-2	D00CV6001	1	PANEL PCB ASSY	DCP-B7500D	FOR CHN	
1-2	D00HAV001	1	PANEL PCB ASSY	DCP-B7500D	FOR IND	
1-2	D00CV6001	1	PANEL PCB ASSY	DCP-B7520DW	FOR CHN	
1-2	D00HAV001	1	PANEL PCB ASSY	DCP-B7520DW	FOR BRA/CEE	
1-2	D00CV6001	1	PANEL PCB ASSY	DCP-B7530DN		
1-2	D00CV6001	1	PANEL PCB ASSY	DCP-B7535DW	FOR CHN	
1-2	D00HAV001	1	PANEL PCB ASSY	DCP-B7535DW	FOR VNM/IDN/BRA/IND/MEX	
1-2	D00HAV001	1	PANEL PCB ASSY	DCP-L2510D		
1-2	D00HAV001	1	PANEL PCB ASSY	DCP-L2512D		
1-2	D00HAV001	1	PANEL PCB ASSY	DCP-L2530DW		
1-2	D00HAV001	1	PANEL PCB ASSY	DCP-L2531DW		

11. PANEL

REF No.	CODE	Q'TY	DESCRIPTION	MODEL	SPEC	REMARKS
1-2	D00HAV001	1	PANEL PCB ASSY	DCP-L2532DW		
1-2	D00HAV001	1	PANEL PCB ASSY	DCP-L2535D		
1-2	D00CV6001	1	PANEL PCB ASSY	DCP-L2535DW	FOR CHN	
1-2	D00HAV001	1	PANEL PCB ASSY	DCP-L2535DW	FOR ASA	
1-2	D00HAV001	1	PANEL PCB ASSY	DCP-L2537DW		
1-2	D00HAV001	1	PANEL PCB ASSY	DCP-L2550DN		
1-2	D00CV6001	1	PANEL PCB ASSY	DCP-L2550DW	FOR CHN	
1-2	D00HAV001	1	PANEL PCB ASSY	DCP-L2550DW	FOR PHL/ASA/USA/CAN	
1-2	D00HAV001	1	PANEL PCB ASSY	DCP-L2551DN		
1-2	D00HAV001	1	PANEL PCB ASSY	DCP-L2551DW		
1-2	D00HAV001	1	PANEL PCB ASSY	DCP-L2552DN		
1-2	D00HAV001	1	PANEL PCB ASSY	HL-L2390DW		
2	D01L14001	1	LCD SHEET	DCP-7090DW		
2	D01L15001	1	LCD SHEET	DCP-7190DW		
2	D00J5G001	1	LCD SHEET	DCP-B7500D		
2	D00MSA001	1	LCD SHEET	DCP-B7520DW		
2	D00MT0001	1	LCD SHEET	DCP-B7530DN		
2	D00MT6001	1	LCD SHEET	DCP-B7535DW		
2	D00R11001	1	LCD SHEET	DCP-L2510D		
2	D00TV6001	1	LCD SHEET	DCP-L2512D		
2	D00HAY001	1	LCD SHEET	DCP-L2530DW		
2	D00UNB001	1	LCD SHEET	DCP-L2531DW		
2	D00U2Y001	1	LCD SHEET	DCP-L2532DW		
2	D00SY3001	1	LCD SHEET	DCP-L2535D		
2	D00S1H001	1	LCD SHEET	DCP-L2535DW		
2	D00R98001	1	LCD SHEET	DCP-L2537DW		
2	D00MD3001	1	LCD SHEET	DCP-L2550DN		
2	D00MF0001	1	LCD SHEET	DCP-L2550DW		
2	D00USW001	1	LCD SHEET	DCP-L2551DN		
2	D00WWA001	1	LCD SHEET	DCP-L2551DW		
2	D00U4A001	1	LCD SHEET	DCP-L2552DN		
2	D00MPT001	1	LCD SHEET	HL-L2390DW		
3	D00MR0001	1	PANEL UNIT 7700D CHN	MFC-B7700D		
3	D00J4Y001	1	PANEL UNIT 7715DW ASA	MFC-B7715DW	FOR VNM/IDN	
3	D00VP9001	1	PANEL UNIT 7715DW ENG	MFC-B7715DW	FOR CEE	
3	D00VPS001	1	PANEL UNIT 7715DW POL	MFC-B7715DW	FOR POL	
3	D00MX7001	1	PANEL UNIT 7715DW IND	MFC-B7715DW	FOR IND	
3	D00MX5001	1	PANEL UNIT 7720DN CHN	MFC-B7720DN		
3	D01EPP001	1	PANEL UNIT 2710DW US	MFC-L2690DW		
3	D01EPP001	1	PANEL UNIT 2710DW US	MFC-L2690DWXL		
3	D00R5U001	1	PANEL UNIT 2710DN GER	MFC-L2710DN	FOR GER	
3	D00R19001	1	PANEL UNIT 2710DN ENG	MFC-L2710DN	FOR UK/ISR	
3	D00R67001	1	PANEL UNIT 2710DN FRA	MFC-L2710DN	FOR FRA	
3	D00R6M001	1	PANEL UNIT 2710DN ITA	MFC-L2710DN	FOR ITA	
3	D0107F001	1	PANEL UNIT 2710DW US	MFC-L2710DW	FOR USA/CAN	chg
3	D00PUJ001	1	PANEL UNIT 2710DW GER	MFC-L2710DW	FOR GER	
3	D00HB8001	1	PANEL UNIT 2710DW ENG	MFC-L2710DW	FOR UK/BEL/SWI/ISR	
3	D00PXJ001	1	PANEL UNIT 2710DW FRA	MFC-L2710DW	FOR FRA	
3	D00HBA001	1	PANEL UNIT 2710DW ARL	MFC-L2710DW	FOR ARL	
3	D00RJP001	1	PANEL UNIT 2710DW DUT	MFC-L2710DW	FOR NLD	
3	D00PXP001	1	PANEL UNIT 2710DW ITA	MFC-L2710DW	FOR ITA	
3	D00RLF001	1	PANEL UNIT 2710DW NOR-ENG	MFC-L2710DW	FOR PND	
3	D00PXW001	1	PANEL UNIT 2710DW IBERIA	MFC-L2710DW	FOR IBE	
3	D00U37001	1	PANEL UNIT 2712DN POL	MFC-L2712DN	FOR POL	
3	D00U41001	1	PANEL UNIT 2712DN ENG	MFC-L2712DN	FOR CEE	
3	D00U48001	1	PANEL UNIT 2712DW POL	MFC-L2712DW	FOR POL	
3	D00U4J001	1	PANEL UNIT 2712DW ENG	MFC-L2712DW	FOR CEE	
3	D00MW8001	1	PANEL UNIT 2713DW NZ	MFC-L2713DW		
3	D00MV9001	1	PANEL UNIT 2715DW TWN	MFC-L2715DW	FOR TWN	
3	D00SAT001	1	PANEL UNIT 2715DW ASA	MFC-L2715DW	FOR ASA	
3	D01253001	1	PANEL UNIT 2715DW KOR	MFC-L2715DW	FOR KOR	
3	D00U60001	1	PANEL UNIT 2716DW TUR	MFC-L2716DW		
3	D017H1001	1	PANEL UNIT 2717DW US	MFC-L2717DW		
3-1	D00CV4001	1	LCD	MFC-B7700D		
3-1	D00E11001	1	LCD	MFC-B7715DW		

11. PANEL

REF No.	CODE	Q'TY	DESCRIPTION	MODEL	SPEC	REMARKS
3-1	D00CV4001	1	LCD	MFC-B7720DN		
3-1	D00E11001	1	LCD	MFC-L2690DW		
3-1	D00E11001	1	LCD	MFC-L2690DWXL		
3-1	D00E11001	1	LCD	MFC-L2710DN		
3-1	D00MZZ001	1	LCD	MFC-L2710DW	FOR USA/CAN	chg
3-1	D00E11001	1	LCD	MFC-L2710DW	FOR GER/UK/FRA/ARL/BEL/NLD/ SWI/ITA/ISR/PND/IBE	
3-1	D00E11001	1	LCD	MFC-L2712DN		
3-1	D00E11001	1	LCD	MFC-L2712DW		
3-1	D00E11001	1	LCD	MFC-L2713DW		
3-1	D00CV4001	1	LCD	MFC-L2715DW	FOR TWN/KOR	
3-1	D00E11001	1	LCD	MFC-L2715DW	FOR ASA	
3-1	D00E11001	1	LCD	MFC-L2716DW		
3-1	D00MZZ001	1	LCD	MFC-L2717DW		
3-2	D00HAW001	1	PANEL PCB ASSY	MFC-B7700D		
3-2	D009H6001	1	PANEL PCB ASSY	MFC-B7715DW		
3-2	D00HAW001	1	PANEL PCB ASSY	MFC-B7720DN		
3-2	D009H6001	1	PANEL PCB ASSY	MFC-L2690DW		
3-2	D009H6001	1	PANEL PCB ASSY	MFC-L2690DWXL		
3-2	D009H6001	1	PANEL PCB ASSY	MFC-L2710DN		
3-2	D009H6001	1	PANEL PCB ASSY	MFC-L2710DW		
3-2	D009H6001	1	PANEL PCB ASSY	MFC-L2712DN		
3-2	D009H6001	1	PANEL PCB ASSY	MFC-L2712DW		
3-2	D009H6001	1	PANEL PCB ASSY	MFC-L2713DW		
3-2	D00HAW001	1	PANEL PCB ASSY	MFC-L2715DW	FOR TWN/KOR	
3-2	D009H6001	1	PANEL PCB ASSY	MFC-L2715DW	FOR ASA	
3-2	D009H6001	1	PANEL PCB ASSY	MFC-L2716DW		
3-2	D009H6001	1	PANEL PCB ASSY	MFC-L2717DW		
3-3	D00MET001	1	LCD SHEET	MFC-B7700D		
3-3	D00MX9001	1	LCD SHEET	MFC-B7715DW	FOR IND	
3-3	D00J52001	1	LCD SHEET	MFC-B7715DW	FOR VNM/IDN/POL/CEE	
3-3	D00MR3001	1	LCD SHEET	MFC-B7720DN		
3-3	D01EPR001	1	LCD SHEET	MFC-L2690DW		
3-3	D01EPR001	1	LCD SHEET	MFC-L2690DWXL		
3-3	D00R1C001	1	LCD SHEET	MFC-L2710DN		
3-3	D00HB1001	1	LCD SHEET	MFC-L2710DW		
3-3	D00U3B001	1	LCD SHEET	MFC-L2712DN		
3-3	D00U4B001	1	LCD SHEET	MFC-L2712DW		
3-3	D00MW9001	1	LCD SHEET	MFC-L2713DW		
3-3	D00MW7001	1	LCD SHEET	MFC-L2715DW		
3-3	D00U61001	1	LCD SHEET	MFC-L2716DW		
3-3	D016ZL001	1	LCD SHEET	MFC-L2717DW		
4	D00NWU001	1	PANEL UNIT 7195DW	DCP-7195DW		
4	D00MT7001	1	PANEL UNIT 2395DW	HL-L2395DW		
4	D00NXN001	1	PANEL UNIT 7895DW	MFC-7895DW		
4	D00MXB001	1	PANEL UNIT 2730DW	MFC-L2730DW		
4	D00V5A001	1	PANEL UNIT 2732DW	MFC-L2732DW		
4	D00HB3001	1	PANEL UNIT 2750DW	MFC-L2750DW		
4	D00HB3001	1	PANEL UNIT 2750DW	MFC-L2750DWXL		
4	D00V7A001	1	PANEL UNIT 2751DW	MFC-L2751DW		
4	D012R7001	1	PANEL UNIT 2752DW	MFC-L2752DW		
4	D00NWV001	1	PANEL UNIT 2770DW	MFC-L2770DW		
4	D00WD8001	1	PANEL UNIT 2771DW	MFC-L2771DW		
4-1	LT3174001	1	TOUCH PANEL	DCP-7195DW		
4-1	LT3174001	1	TOUCH PANEL	HL-L2395DW		
4-1	LT3174001	1	TOUCH PANEL	MFC-7895DW		
4-1	LT3174001	1	TOUCH PANEL	MFC-L2730DW		
4-1	LT3174001	1	TOUCH PANEL	MFC-L2732DW		
4-1	LT3174001	1	TOUCH PANEL	MFC-L2750DW		
4-1	LT3174001	1	TOUCH PANEL	MFC-L2750DWXL		
4-1	LT3174001	1	TOUCH PANEL	MFC-L2751DW		
4-1	LT3174001	1	TOUCH PANEL	MFC-L2752DW		
4-1	LT3174001	1	TOUCH PANEL	MFC-L2770DW		
4-1	LT3174001	1	TOUCH PANEL	MFC-L2771DW		
4-2	D00HS0001	1	LCD	DCP-7195DW		

11. PANEL

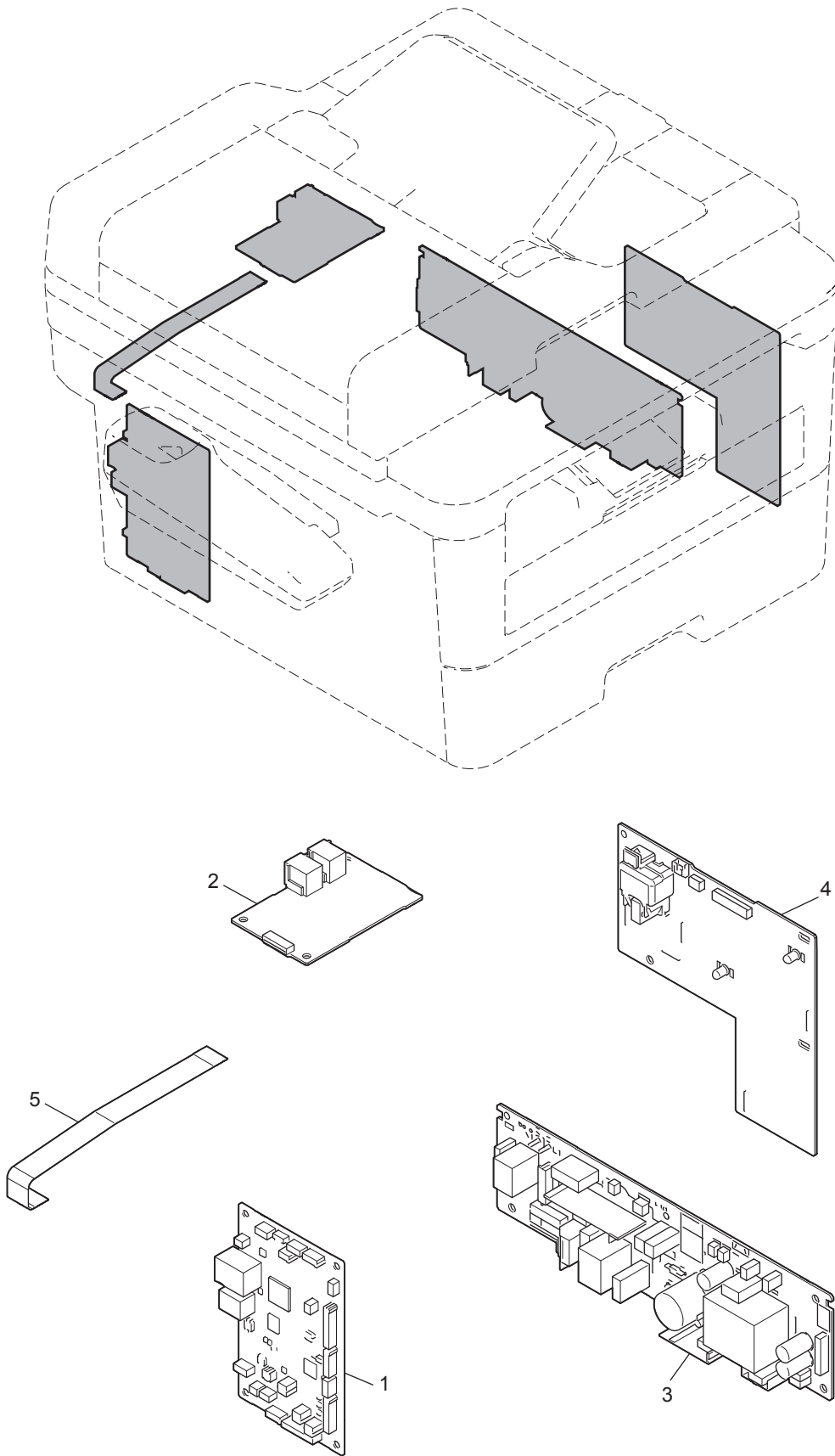
REF No.	CODE	Q'TY	DESCRIPTION	MODEL	SPEC	REMARKS
4-2	D00HS0001	1	LCD	HL-L2395DW		
4-2	D00HS0001	1	LCD	MFC-7895DW		
4-2	D00HS0001	1	LCD	MFC-L2730DW		
4-2	D00HS0001	1	LCD	MFC-L2732DW		
4-2	D00HS0001	1	LCD	MFC-L2750DW		
4-2	D00HS0001	1	LCD	MFC-L2750DWXL		
4-2	D00HS0001	1	LCD	MFC-L2751DW		
4-2	D00HS0001	1	LCD	MFC-L2752DW		
4-2	D00HS0001	1	LCD	MFC-L2770DW		
4-2	D00HS0001	1	LCD	MFC-L2771DW		
4-3	D009HE001	1	PANEL PCB ASSY	DCP-7195DW		
4-3	D009HE001	1	PANEL PCB ASSY	HL-L2395DW		
4-3	D009HE001	1	PANEL PCB ASSY	MFC-7895DW		
4-3	D009HE002	1	PANEL PCB ASSY	MFC-L2730DW		
4-3	D009HE002	1	PANEL PCB ASSY	MFC-L2732DW		
4-3	D009HE001	1	PANEL PCB ASSY	MFC-L2750DW		
4-3	D009HE001	1	PANEL PCB ASSY	MFC-L2750DWXL		
4-3	D009HE001	1	PANEL PCB ASSY	MFC-L2751DW		
4-3	D009HE001	1	PANEL PCB ASSY	MFC-L2752DW		
4-3	D009HE001	1	PANEL PCB ASSY	MFC-L2770DW		
4-3	D009HE001	1	PANEL PCB ASSY	MFC-L2771DW		
4-4	D009HP001	1	KEY PCB ASSY	DCP-7195DW		
4-4	D009HP001	1	KEY PCB ASSY	HL-L2395DW		
4-4	D009HP001	1	KEY PCB ASSY	MFC-7895DW		
4-4	D009HP001	1	KEY PCB ASSY	MFC-L2730DW		
4-4	D009HP001	1	KEY PCB ASSY	MFC-L2732DW		
4-4	D009HP001	1	KEY PCB ASSY	MFC-L2750DW		
4-4	D009HP001	1	KEY PCB ASSY	MFC-L2750DWXL		
4-4	D009HP001	1	KEY PCB ASSY	MFC-L2751DW		
4-4	D009HP001	1	KEY PCB ASSY	MFC-L2752DW		
4-4	D009HP001	1	KEY PCB ASSY	MFC-L2770DW		
4-4	D009HP001	1	KEY PCB ASSY	MFC-L2771DW		
4-5	D00SVB001	1	NFC PCB ASSY	DCP-7195DW		
4-5	D00SVB001	1	NFC PCB ASSY	HL-L2395DW		
4-5	D00SVB001	1	NFC PCB ASSY	MFC-7895DW		
4-5	D00SVB001	1	NFC PCB ASSY	MFC-L2750DW		
4-5	D00SVB001	1	NFC PCB ASSY	MFC-L2750DWXL		
4-5	D00SVB001	1	NFC PCB ASSY	MFC-L2751DW		
4-5	D00SVB001	1	NFC PCB ASSY	MFC-L2752DW		
4-5	D00SVB001	1	NFC PCB ASSY	MFC-L2770DW		
4-5	D00SVB001	1	NFC PCB ASSY	MFC-L2771DW		
5	D00HKT001	1	ADDRESS LABEL	MFC-B7700D		
5	D00HKT001	1	ADDRESS LABEL	MFC-B7715DW		
5	D00HKT001	1	ADDRESS LABEL	MFC-B7720DN		
5	D00HKT001	1	ADDRESS LABEL	MFC-L2710DN		
5	D00HKT001	1	ADDRESS LABEL	MFC-L2710DW		
5	D00HKT001	1	ADDRESS LABEL	MFC-L2712DN		
5	D00HKT001	1	ADDRESS LABEL	MFC-L2712DW		
5	D00HKT001	1	ADDRESS LABEL	MFC-L2713DW		
5	D00HKT001	1	ADDRESS LABEL	MFC-L2715DW		
5	D00HKT001	1	ADDRESS LABEL	MFC-L2716DW		
5	D00HKT001	1	ADDRESS LABEL	MFC-L2717DW		
6	D01L10001	1	PANEL COVER DCP CHN W	DCP-7090DW		
6	D01L10001	1	PANEL COVER DCP CHN W	DCP-7190DW		
6	D00R15002	1	PANEL COVER DCP PANEL ENG	DCP-B7500D	FOR IND	
6	D00MD8002	1	PANEL COVER DCP PANEL CHN	DCP-B7500D	FOR CHN	
6	D0183L001	1	PANEL COVER B7520/7535DW CHN	DCP-B7520DW	FOR CHN	
6	D016B7001	1	PANEL COVER DCP B7520DW BR	DCP-B7520DW	FOR BRA	
6	D00U1X002	1	PANEL COVER DCP PANEL POL W	DCP-B7520DW	FOR CEE	
6	D00HAZ002	1	PANEL COVER DCP PANEL ENG W	DCP-B7520DW	FOR CEE	
6	D00MD8002	1	PANEL COVER DCP PANEL CHN	DCP-B7530DN		
6	D0183L001	1	PANEL COVER B7520/7535DW CHN	DCP-B7535DW	FOR CHN	
6	D016B7001	1	PANEL COVER B7520/7535DW BRZ	DCP-B7535DW	FOR BRA	
6	D00HAZ002	1	PANEL COVER DCP PANEL ENG W	DCP-B7535DW	FOR VNM/IDN/IND	
6	D00XTZ002	1	PANEL COVER DCP SPA W	DCP-B7535DW	FOR MEX	

11. PANEL

REF No.	CODE	Q'TY	DESCRIPTION	MODEL	SPEC	REMARKS
6	D00MD4001	1	PANEL COVER DCP PANEL GER	DCP-L2510D	FOR GER	
6	D00R15001	1	PANEL COVER DCP PANEL ENG	DCP-L2510D	FOR UK/PND	
6	D00PSF001	1	PANEL COVER DCP PANEL ITA	DCP-L2510D	FOR ITA	
6	D00PS8001	1	PANEL COVER DCP PANEL FRE	DCP-L2510D	FOR FRA/BEL/NLD	
6	D00PS9001	1	PANEL COVER DCP PANEL DUT	DCP-L2510D	FOR FRA/BEL/NLD	
6	D00PPT001	1	PANEL COVER DCP PANEL IBE	DCP-L2510D	FOR IBE	
6	D00TVM001	1	PANEL COVER DCP PANEL POL	DCP-L2512D		
6	D00PBR001	1	PANEL COVER DCP PANEL GER W	DCP-L2530DW	FOR GER/SWI	
6	D00HAZ001	1	PANEL COVER DCP PANEL ENG W	DCP-L2530DW	FOR UK/PND	
6	D00PP2001	1	PANEL COVER DCP PANEL FRE W	DCP-L2530DW	FOR SWI/FRA/BEL/NLD	
6	D00PPS001	1	PANEL COVER DCP PANEL DUT W	DCP-L2530DW	FOR FRA/BEL/NLD	
6	D00PKX001	1	PANEL COVER DCP PANEL IBE W	DCP-L2530DW	FOR IBE	
6	D00HAZ001	1	PANEL COVER DCP PANEL ENG W	DCP-L2531DW		
6	D00U1X001	1	PANEL COVER DCP PANEL POL W	DCP-L2532DW		
6	D00R15001	1	PANEL COVER DCP PANEL ENG	DCP-L2535D		
6	D01L10001	1	PANEL COVER DCP CHN W	DCP-L2535DW	FOR CHN	
6	D00HAZ001	1	PANEL COVER DCP PANEL ENG W	DCP-L2535DW	FOR ASA	
6	D00HAZ001	1	PANEL COVER DCP PANEL ENG W	DCP-L2537DW		
6	D00MD4001	1	PANEL COVER DCP PANEL GER	DCP-L2550DN	FOR GER/SWI	
6	D00PS8001	1	PANEL COVER DCP PANEL FRE	DCP-L2550DN	FOR SWI/FRA/BEL/NLD	
6	D00PSF001	1	PANEL COVER DCP PANEL ITA	DCP-L2550DN	FOR ITA	
6	D00PS9001	1	PANEL COVER DCP PANEL DUT	DCP-L2550DN	FOR FRA/BEL/NLD	
6	D00R15001	1	PANEL COVER DCP PANEL ENG	DCP-L2550DN	FOR PND	
6	D00PPT001	1	PANEL COVER DCP PANEL IBE	DCP-L2550DN	FOR IBE	
6	D01L10001	1	PANEL COVER DCP CHN W	DCP-L2550DW	FOR CHN	
6	D00HAZ001	1	PANEL COVER DCP PANEL ENG W	DCP-L2550DW	FOR PHL/ASA/USA/CAN	
6	D00USZ001	1	PANEL COVER DCP PANEL RUS	DCP-L2551DN		
6	D00XTZ001	1	PANEL COVER DCP PANEL SPA W	DCP-L2551DW		
6	D00TVM001	1	PANEL COVER DCP PANEL POL	DCP-L2552DN		
6	D00HAZ001	1	PANEL COVER DCP PANEL ENG W	HL-L2390DW		
6	D00U49002	1	PANEL COVER MFC POL W	MFC-B7715DW	FOR POL	del
6	D00HB0002	1	PANEL COVER MFC US W	MFC-B7715DW	FOR VNM/IDN/IND	del
6	D00HB9002	1	PANEL COVER MFC ENG W	MFC-B7715DW	FOR CEE	del
6	D00HB0001	1	PANEL COVER MFC US W	MFC-L2690DW		del
6	D00HB0001	1	PANEL COVER MFC US W	MFC-L2690DWXL		del
6	D00HB9001	1	PANEL COVER MFC ENG W	MFC-L2710DW	FOR UK/BEL/SWI/ISR	del
6	D00HB9001	1	PANEL COVER MFC ENG W	MFC-L2712DW	FOR CEE	del
6	D00HB0001	1	PANEL COVER MFC US W	MFC-L2713DW		del
6	D00HB0001	1	PANEL COVER MFC US W	MFC-L2715DW	FOR ASA	del
6	D00HB9001	1	PANEL COVER MFC ENG W	MFC-L2716DW		del
(7)	D00M5T001	1	FRENCH PANEL STICKER	DCP-L2550DW	FOR CAN	
(7)	D00M5T001	1	FRENCH PANEL STICKER	HL-L2390DW	FOR CAN	
(7)	D00M5T001	1	FRENCH PANEL STICKER	HL-L2395DW	FOR CAN	
(7)	D00M5T001	1	FRENCH PANEL STICKER	MFC-L2710DW	FOR CAN	
(7)	D00M5T001	1	FRENCH PANEL STICKER	MFC-L2730DW	FOR CAN	
(7)	D00M5T001	1	FRENCH PANEL STICKER	MFC-L2750DW	FOR CAN	

*This part was deleted from the list,because it was not a spare part.

12. PCB



12. PCB

REF No.	CODE	Q'TY	DESCRIPTION	MODEL	SPEC	REMARKS
1	D01L89001	1	MAIN PCB ASSY	DCP-7090DW		
1	D01L8A001	1	MAIN PCB ASSY	DCP-7190DW		
1	D00NX2001	1	MAIN PCB ASSY	DCP-7195DW		
1	D00P18001	1	MAIN PCB ASSY	DCP-B7500D	FOR IND	
1	D00MZ9001	1	MAIN PCB ASSY	DCP-B7500D	FOR CHN	
1	D00MZA001	1	MAIN PCB ASSY	DCP-B7520DW	FOR BRA/CEE	
1	D01712001	1	MAIN PCB ASSY	DCP-B7520DW	FOR BRA/CEE	
1	D00MZG001	1	MAIN PCB ASSY	DCP-B7530DN		
1	D00MZH001	1	MAIN PCB ASSY	DCP-B7535DW	FOR VNM/IDN/BRA/IND/MEX	
1	D01713001	1	MAIN PCB ASSY	DCP-B7535DW	FOR VNM/IDN/BRA/IND/MEX	
1	D00PLS002	1	MAIN PCB ASSY	DCP-L2510D		
1	D00PLS002	1	MAIN PCB ASSY	DCP-L2512D		
1	D00HE0002	1	MAIN PCB ASSY	DCP-L2530DW		
1	D00P17001	1	MAIN PCB ASSY	DCP-L2531DW		
1	D00HE0002	1	MAIN PCB ASSY	DCP-L2532DW		
1	D00P1A001	1	MAIN PCB ASSY	DCP-L2535D		
1	D01L89001	1	MAIN PCB ASSY	DCP-L2535DW	FOR CHN	
1	D00P1B001	1	MAIN PCB ASSY	DCP-L2535DW	FOR ASA	
1	D00HE0002	1	MAIN PCB ASSY	DCP-L2537DW		chg
1	D00MZD002	1	MAIN PCB ASSY	DCP-L2550DN		
1	D01L8A001	1	MAIN PCB ASSY	DCP-L2550DW	FOR CHN	
1	D00MZF001	1	MAIN PCB ASSY	DCP-L2550DW	FOR PHL/ASA	
1	D00MZB001	1	MAIN PCB ASSY	DCP-L2550DW	FOR USA/CAN	
1	D00P1D001	1	MAIN PCB ASSY	DCP-L2551DN		
1	D00MZB011	1	MAIN PCB ASSY	DCP-L2551DW		
1	D00MZD002	1	MAIN PCB ASSY	DCP-L2552DN		
1	D00HE0001	1	MAIN PCB ASSY	HL-L2390DW		
1	D00MZJ001	1	MAIN PCB ASSY	HL-L2395DW	FOR USA/CAN	
1	D00MZJ004	1	MAIN PCB ASSY	HL-L2395DW	FOR ARL	
1	D00NX3001	1	MAIN PCB ASSY	MFC-7895DW		
1	D00MZP001	1	MAIN PCB ASSY	MFC-B7700D		
1	D00J54001	1	MAIN PCB ASSY	MFC-B7715DW		
1	D00MZR001	1	MAIN PCB ASSY	MFC-B7720DN		
1	D00RBL001	1	MAIN PCB ASSY	MFC-L2690DW		
1	D00RBL001	1	MAIN PCB ASSY	MFC-L2690DWXL		
1	D00PLT002	1	MAIN PCB ASSY	MFC-L2710DN		
1	D00HE2001	1	MAIN PCB ASSY	MFC-L2710DW	FOR USA/CAN	
1	D00HE2002	1	MAIN PCB ASSY	MFC-L2710DW	FOR GER/UK/FRA/BEL/NLD/SWI/ ITA/ISR/PND/IBE	
1	D00HE2004	1	MAIN PCB ASSY	MFC-L2710DW	FOR ARL	
1	D00PLT002	1	MAIN PCB ASSY	MFC-L2712DN		
1	D00HE2002	1	MAIN PCB ASSY	MFC-L2712DW		
1	D00PS7004	1	MAIN PCB ASSY	MFC-L2713DW	FOR ARL	
1	D00PS7002	1	MAIN PCB ASSY	MFC-L2713DW	FOR NZ	
1	D00MZM001	1	MAIN PCB ASSY	MFC-L2715DW	FOR TWN/KOR	
1	D00P26001	1	MAIN PCB ASSY	MFC-L2715DW	FOR ASA	
1	D00P26001	1	MAIN PCB ASSY	MFC-L2716DW		
1	D00RBP001	1	MAIN PCB ASSY	MFC-L2717DW		
1	D00MZT004	1	MAIN PCB ASSY	MFC-L2730DW	FOR ARL	
1	D00MZT001	1	MAIN PCB ASSY	MFC-L2730DW	FOR USA/CAN	
1	D00MZT002	1	MAIN PCB ASSY	MFC-L2730DW	FOR GER/UK/SWI/ITA/IBE/FRA/ BEL/NLD/PND	
1	D00MZT002	1	MAIN PCB ASSY	MFC-L2732DW		
1	D00P29001	1	MAIN PCB ASSY	MFC-L2750DW	FOR PHL/ASA	
1	D00HE4001	1	MAIN PCB ASSY	MFC-L2750DW	FOR USA/CAN	
1	D00HE4002	1	MAIN PCB ASSY	MFC-L2750DW	FOR GER/UK/SWI/ITA/IBE/FRA/ BEL/NLD/PND	
1	D00HE4004	1	MAIN PCB ASSY	MFC-L2750DW	FOR ARL	
1	D00HE4001	1	MAIN PCB ASSY	MFC-L2750DWXL		
1	D00P29001	1	MAIN PCB ASSY	MFC-L2751DW		
1	D00HE4002	1	MAIN PCB ASSY	MFC-L2752DW		
1	D00NX5002	1	MAIN PCB ASSY	MFC-L2770DW	FOR NZ	
1	D00NX4001	1	MAIN PCB ASSY	MFC-L2770DW	FOR PHL/TWN/ASA/KOR	
1	D00NX4001	1	MAIN PCB ASSY	MFC-L2771DW		
2	D00KHH004	1	MODEM PCB ASSY	MFC-7895DW		

12. PCB

REF No.	CODE	Q'TY	DESCRIPTION	MODEL	SPEC	REMARKS
2	D00KHH004	1	MODEM PCB ASSY	MFC-B7700D		
2	D0092S001	1	MODEM PCB ASSY	MFC-B7715DW		
2	D00KHH004	1	MODEM PCB ASSY	MFC-B7720DN		
2	D0092S001	1	MODEM PCB ASSY	MFC-L2690DW		
2	D0092S001	1	MODEM PCB ASSY	MFC-L2690DWXL		
2	D0092S001	1	MODEM PCB ASSY	MFC-L2710DN		
2	D0092S001	1	MODEM PCB ASSY	MFC-L2710DW		
2	D0092S001	1	MODEM PCB ASSY	MFC-L2712DN		
2	D0092S001	1	MODEM PCB ASSY	MFC-L2712DW		
2	D0092S001	1	MODEM PCB ASSY	MFC-L2713DW		
2	D0092S001	1	MODEM PCB ASSY	MFC-L2715DW		
2	D0092S001	1	MODEM PCB ASSY	MFC-L2716DW		
2	D0092S001	1	MODEM PCB ASSY	MFC-L2717DW		
2	D0092S001	1	MODEM PCB ASSY	MFC-L2730DW		
2	D0092S001	1	MODEM PCB ASSY	MFC-L2732DW		
2	D0092S001	1	MODEM PCB ASSY	MFC-L2750DW		
2	D0092S001	1	MODEM PCB ASSY	MFC-L2750DWXL		
2	D0092S001	1	MODEM PCB ASSY	MFC-L2751DW		
2	D0092S001	1	MODEM PCB ASSY	MFC-L2752DW		
2	D0092S001	1	MODEM PCB ASSY	MFC-L2770DW		
2	D0092S001	1	MODEM PCB ASSY	MFC-L2771DW		
3	D00CV0001	1	LOW VOLTAGE POWER SUPPLY PCB ASSY	DCP-7090DW		
3	D00CV0001	1	LOW VOLTAGE POWER SUPPLY PCB ASSY	DCP-7190DW		
3	D00NBN001	1	LOW VOLTAGE POWER SUPPLY PCB ASSY	DCP-7195DW		
3	D00CV0001	1	LOW VOLTAGE POWER SUPPLY PCB ASSY	DCP-B7500D	FOR CHN	
3	D00MNY001	1	LOW VOLTAGE POWER SUPPLY PCB ASSY	DCP-B7500D	FOR IND	
3	D00CV0001	1	LOW VOLTAGE POWER SUPPLY PCB ASSY	DCP-B7520DW	FOR CHN	
3	D01692001	1	LOW VOLTAGE POWER SUPPLY PCB ASSY	DCP-B7520DW	FOR BRA	
3	D00JUZ001	1	LOW VOLTAGE POWER SUPPLY PCB ASSY	DCP-B7520DW	FOR CEE	chg
3	D00CV0001	1	LOW VOLTAGE POWER SUPPLY PCB ASSY	DCP-B7530DN		
3	D00CV0001	1	LOW VOLTAGE POWER SUPPLY PCB ASSY	DCP-B7535DW	FOR CHN	
3	D01692001	1	LOW VOLTAGE POWER SUPPLY PCB ASSY	DCP-B7535DW	FOR BRA	
3	D00MNY001	1	LOW VOLTAGE POWER SUPPLY PCB ASSY	DCP-B7535DW	FOR IND	
3	D00HCF001	1	LOW VOLTAGE POWER SUPPLY PCB ASSY	DCP-B7535DW	FOR MEX	chg
3	D00HKR001	1	LOW VOLTAGE POWER SUPPLY PCB ASSY	DCP-B7535DW	FOR VNM/IDN	
3	D00JUZ001	1	LOW VOLTAGE POWER SUPPLY PCB ASSY	DCP-L2510D		
3	D00HCG001	1	LOW VOLTAGE POWER SUPPLY PCB ASSY	DCP-L2512D		
3	D00JUZ001	1	LOW VOLTAGE POWER SUPPLY PCB ASSY	DCP-L2530DW		
3	D00MNY001	1	LOW VOLTAGE POWER SUPPLY PCB ASSY	DCP-L2531DW		
3	D00HCG001	1	LOW VOLTAGE POWER SUPPLY PCB ASSY	DCP-L2532DW		
3	D00HCG001	1	LOW VOLTAGE POWER SUPPLY PCB ASSY	DCP-L2535D		
3	D00CV0001	1	LOW VOLTAGE POWER SUPPLY PCB ASSY	DCP-L2535DW	FOR CHN	
3	D00HCG001	1	LOW VOLTAGE POWER SUPPLY PCB ASSY	DCP-L2535DW	FOR ASA	

12. PCB

REF No.	CODE	Q'TY	DESCRIPTION	MODEL	SPEC	REMARKS
3	D00HCG001	1	LOW VOLTAGE POWER SUPPLY PCB ASSY	DCP-L2537DW		
3	D00JUZ001	1	LOW VOLTAGE POWER SUPPLY PCB ASSY	DCP-L2550DN		
3	D00CV0001	1	LOW VOLTAGE POWER SUPPLY PCB ASSY	DCP-L2550DW	FOR CHN	
3	D00S1V001	1	LOW VOLTAGE POWER SUPPLY PCB ASSY	DCP-L2550DW	FOR PHL	
3	D00JUZ001	1	LOW VOLTAGE POWER SUPPLY PCB ASSY	DCP-L2550DW	FOR ASA	chg
3	D00JV0001	1	LOW VOLTAGE POWER SUPPLY PCB ASSY	DCP-L2550DW	FOR USA	CHG
3	D00HCF001	1	LOW VOLTAGE POWER SUPPLY PCB ASSY	DCP-L2550DW	FOR CAN	chg
3	D00HCK001	1	LOW VOLTAGE POWER SUPPLY PCB ASSY	DCP-L2551DN		
3	D00HCF001	1	LOW VOLTAGE POWER SUPPLY PCB ASSY	DCP-L2551DW		
3	D00HCG001	1	LOW VOLTAGE POWER SUPPLY PCB ASSY	DCP-L2552DN		
3	D00JV0001	1	LOW VOLTAGE POWER SUPPLY PCB ASSY	HL-L2390DW	FOR USA	CHG
3	D00HCF001	1	LOW VOLTAGE POWER SUPPLY PCB ASSY	HL-L2390DW	FOR CAN	
3	D00HCF001	1	LOW VOLTAGE POWER SUPPLY PCB ASSY	HL-L2395DW	FOR USA/CAN	
3	D00MNX001	1	LOW VOLTAGE POWER SUPPLY PCB ASSY	HL-L2395DW	FOR ARL	
3	D00NBN001	1	LOW VOLTAGE POWER SUPPLY PCB ASSY	MFC-7895DW		
3	D00CV0001	1	LOW VOLTAGE POWER SUPPLY PCB ASSY	MFC-B7700D		
3	D00HKR001	1	LOW VOLTAGE POWER SUPPLY PCB ASSY	MFC-B7715DW	FOR VNM/IDN	
3	D00JUZ001	1	LOW VOLTAGE POWER SUPPLY PCB ASSY	MFC-B7715DW	FOR POL/CEE	chg
3	D00MNY001	1	LOW VOLTAGE POWER SUPPLY PCB ASSY	MFC-B7715DW	FOR IND	
3	D00CV0001	1	LOW VOLTAGE POWER SUPPLY PCB ASSY	MFC-B7720DN		
3	D00HCF001	1	LOW VOLTAGE POWER SUPPLY PCB ASSY	MFC-L2690DW		chg
3	D00HCF001	1	LOW VOLTAGE POWER SUPPLY PCB ASSY	MFC-L2690DWXL		chg
3	D00HCG001	1	LOW VOLTAGE POWER SUPPLY PCB ASSY	MFC-L2710DN		
3	D00HCF001	1	LOW VOLTAGE POWER SUPPLY PCB ASSY	MFC-L2710DW	FOR USA/CAN	
3	D00JUZ001	1	LOW VOLTAGE POWER SUPPLY PCB ASSY	MFC-L2710DW	FOR GER/UK/FRA/BEL/NLD/SWI/ITA/ISR/PND/IBE	chg
3	D00MNX001	1	LOW VOLTAGE POWER SUPPLY PCB ASSY	MFC-L2710DW	FOR ARL	
3	D00HCG001	1	LOW VOLTAGE POWER SUPPLY PCB ASSY	MFC-L2712DN		
3	D00JUZ001	1	LOW VOLTAGE POWER SUPPLY PCB ASSY	MFC-L2712DW		chg
3	D00MNX001	1	LOW VOLTAGE POWER SUPPLY PCB ASSY	MFC-L2713DW		
3	D0107Y001	1	LOW VOLTAGE POWER SUPPLY PCB ASSY 2	MFC-L2715DW	FOR TWN	chg
3	D00JUZ001	1	LOW VOLTAGE POWER SUPPLY PCB ASSY	MFC-L2715DW	FOR ASA	chg
3	D00N39001	1	LOW VOLTAGE POWER SUPPLY PCB ASSY	MFC-L2715DW	FOR KOR	

12. PCB

REF No.	CODE	Q'TY	DESCRIPTION	MODEL	SPEC	REMARKS
3	D00HKR001	1	LOW VOLTAGE POWER SUPPLY PCB ASSY	MFC-L2716DW		
3	D00HCF001	1	LOW VOLTAGE POWER SUPPLY PCB ASSY	MFC-L2717DW		chg
3	D00JUZ001	1	LOW VOLTAGE POWER SUPPLY PCB ASSY	MFC-L2730DW	FOR GER/UK/SWI/ITA/IBE/FRA/BEL/NLD/PND	
3	D00MNX001	1	LOW VOLTAGE POWER SUPPLY PCB ASSY	MFC-L2730DW	FOR ARL	
3	D00JV0001	1	LOW VOLTAGE POWER SUPPLY PCB ASSY	MFC-L2730DW	FOR USA/CAN	
3	D00JUZ001	1	LOW VOLTAGE POWER SUPPLY PCB ASSY	MFC-L2732DW		chg
3	D00S1V001	1	LOW VOLTAGE POWER SUPPLY PCB ASSY	MFC-L2750DW	FOR PHL	
3	D00JUZ001	1	LOW VOLTAGE POWER SUPPLY PCB ASSY	MFC-L2750DW	FOR ASA/GER/UK/SWI/ITA/IBE/FRA/BEL/NLD/PND	chg
3	D00MNX001	1	LOW VOLTAGE POWER SUPPLY PCB ASSY	MFC-L2750DW	FOR ARL	
3	D00JV0001	1	LOW VOLTAGE POWER SUPPLY PCB ASSY	MFC-L2750DW	FOR USA/CAN	chg
3	D00JV0001	1	LOW VOLTAGE POWER SUPPLY PCB ASSY	MFC-L2750DWXL		
3	D00HKR001	1	LOW VOLTAGE POWER SUPPLY PCB ASSY	MFC-L2751DW	FOR TUR	
3	D00HCK001	1	LOW VOLTAGE POWER SUPPLY PCB ASSY	MFC-L2751DW	FOR RUS	
3	D00JUZ001	1	LOW VOLTAGE POWER SUPPLY PCB ASSY	MFC-L2752DW		chg
3	D00NBM001	1	LOW VOLTAGE POWER SUPPLY PCB ASSY	MFC-L2770DW	FOR NZ	
3	D00S1K001	1	LOW VOLTAGE POWER SUPPLY PCB ASSY	MFC-L2770DW	FOR PHL	
3	D0107W001	1	LOW VOLTAGE POWER SUPPLY PCB ASSY 2	MFC-L2770DW	FOR TWN	
3	D00NBP001	1	LOW VOLTAGE POWER SUPPLY PCB ASSY	MFC-L2770DW	FOR ASA	
3	D00S1M001	1	LOW VOLTAGE POWER SUPPLY PCB ASSY	MFC-L2770DW	FOR KOR	
3	D00S1G001	1	LOW VOLTAGE POWER SUPPLY PCB ASSY	MFC-L2771DW		
4	D0092T001	1	HIGH VOLTAGE POWER SUPPLY PCB ASSY	DCP-7090DW		
4	D0092T001	1	HIGH VOLTAGE POWER SUPPLY PCB ASSY	DCP-7190DW		
4	D0092T001	1	HIGH VOLTAGE POWER SUPPLY PCB ASSY	DCP-7195DW		
4	D0092T002	1	HIGH VOLTAGE POWER SUPPLY PCB ASSY	DCP-B7500D		
4	D0092T002	1	HIGH VOLTAGE POWER SUPPLY PCB ASSY	DCP-B7520DW		
4	D0092T002	1	HIGH VOLTAGE POWER SUPPLY PCB ASSY	DCP-B7530DN		
4	D0092T002	1	HIGH VOLTAGE POWER SUPPLY PCB ASSY	DCP-B7535DW		
4	D0092T001	1	HIGH VOLTAGE POWER SUPPLY PCB ASSY	DCP-L2510D		
4	D0092T001	1	HIGH VOLTAGE POWER SUPPLY PCB ASSY	DCP-L2512D		
4	D0092T001	1	HIGH VOLTAGE POWER SUPPLY PCB ASSY	DCP-L2530DW		
4	D0092T001	1	HIGH VOLTAGE POWER SUPPLY PCB ASSY	DCP-L2531DW		
4	D0092T001	1	HIGH VOLTAGE POWER SUPPLY PCB ASSY	DCP-L2532DW		

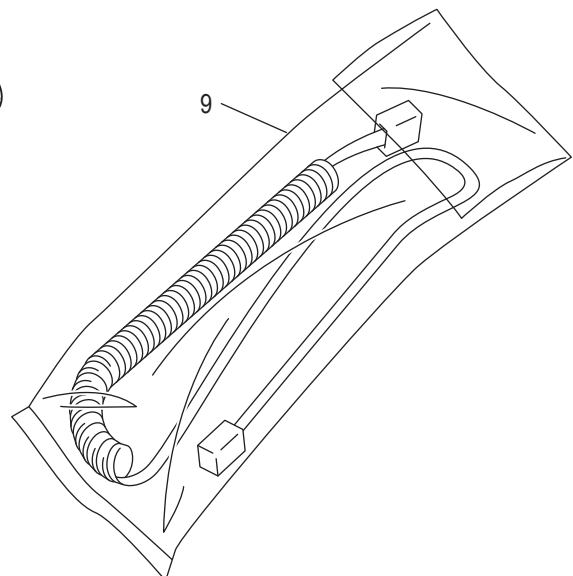
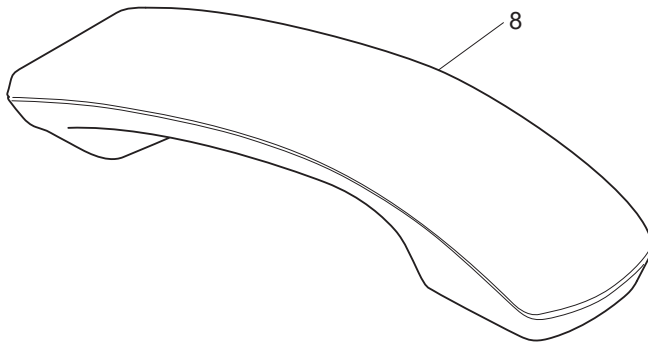
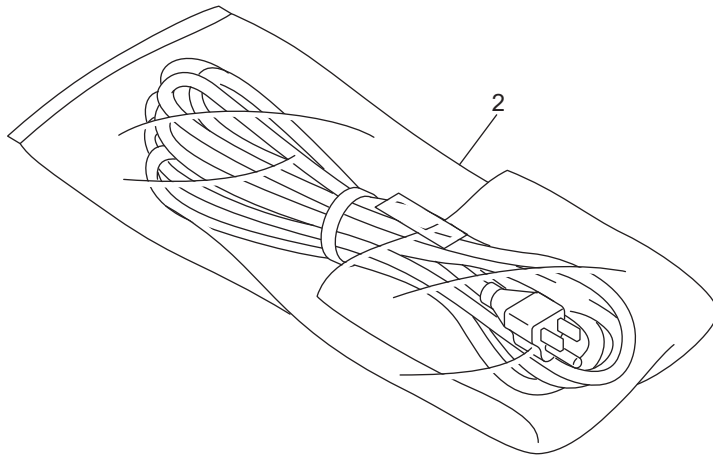
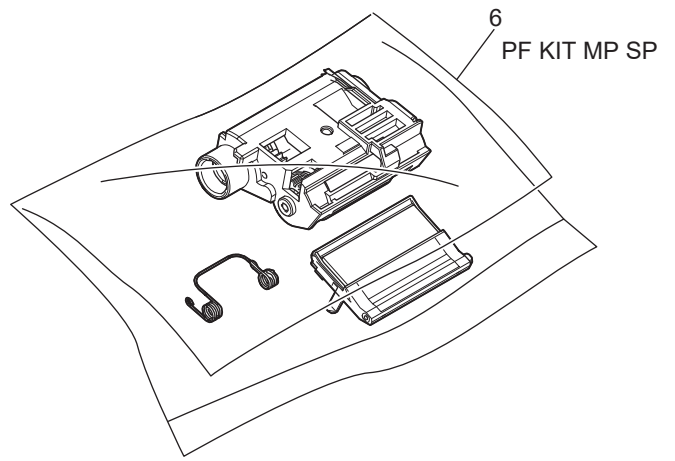
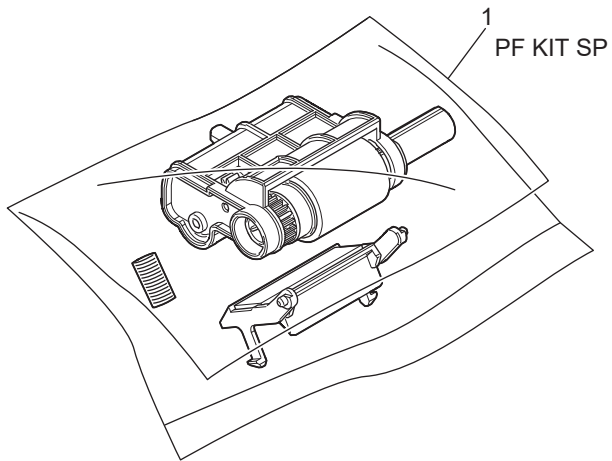
12. PCB

REF No.	CODE	Q'TY	DESCRIPTION	MODEL	SPEC	REMARKS
4	D0092T001	1	HIGH VOLTAGE POWER SUPPLY PCB ASSY	DCP-L2535D		
4	D0092T001	1	HIGH VOLTAGE POWER SUPPLY PCB ASSY	DCP-L2535DW		
4	D0092T001	1	HIGH VOLTAGE POWER SUPPLY PCB ASSY	DCP-L2537DW		
4	D0092T001	1	HIGH VOLTAGE POWER SUPPLY PCB ASSY	DCP-L2550DN		
4	D0092T001	1	HIGH VOLTAGE POWER SUPPLY PCB ASSY	DCP-L2550DW	FOR CHN/PHL/ASA	
4	D00HC2001	1	HIGH VOLTAGE POWER SUPPLY PCB ASSY	DCP-L2550DW	FOR USA/CAN	
4	D0092T001	1	HIGH VOLTAGE POWER SUPPLY PCB ASSY	DCP-L2551DN		
4	D00HC2001	1	HIGH VOLTAGE POWER SUPPLY PCB ASSY	DCP-L2551DW		
4	D0092T001	1	HIGH VOLTAGE POWER SUPPLY PCB ASSY	DCP-L2552DN		
4	D00HC2001	1	HIGH VOLTAGE POWER SUPPLY PCB ASSY	HL-L2390DW		
4	D00HC2001	1	HIGH VOLTAGE POWER SUPPLY PCB ASSY	HL-L2395DW	FOR USA/CAN	
4	D0092T001	1	HIGH VOLTAGE POWER SUPPLY PCB ASSY	HL-L2395DW	FOR ARL	
4	D0092T001	1	HIGH VOLTAGE POWER SUPPLY PCB ASSY	MFC-7895DW		
4	D0092T002	1	HIGH VOLTAGE POWER SUPPLY PCB ASSY	MFC-B7700D		
4	D0092T002	1	HIGH VOLTAGE POWER SUPPLY PCB ASSY	MFC-B7715DW		
4	D0092T002	1	HIGH VOLTAGE POWER SUPPLY PCB ASSY	MFC-B7720DN		
4	D00HC2001	1	HIGH VOLTAGE POWER SUPPLY PCB ASSY	MFC-L2690DW		
4	D00HC2001	1	HIGH VOLTAGE POWER SUPPLY PCB ASSY	MFC-L2690DWXL		
4	D0092T001	1	HIGH VOLTAGE POWER SUPPLY PCB ASSY	MFC-L2710DN		
4	D00HC2001	1	HIGH VOLTAGE POWER SUPPLY PCB ASSY	MFC-L2710DW	FOR USA/CAN	
4	D0092T001	1	HIGH VOLTAGE POWER SUPPLY PCB ASSY	MFC-L2710DW	FOR GER/UK/FRA/ARL/BEL/NLD/SWI/ITA/ISR/PND/IBE	
4	D0092T001	1	HIGH VOLTAGE POWER SUPPLY PCB ASSY	MFC-L2712DN		
4	D0092T001	1	HIGH VOLTAGE POWER SUPPLY PCB ASSY	MFC-L2712DW		
4	D0092T001	1	HIGH VOLTAGE POWER SUPPLY PCB ASSY	MFC-L2713DW		
4	D0092T001	1	HIGH VOLTAGE POWER SUPPLY PCB ASSY	MFC-L2715DW		
4	D0092T001	1	HIGH VOLTAGE POWER SUPPLY PCB ASSY	MFC-L2716DW		
4	D00HC2001	1	HIGH VOLTAGE POWER SUPPLY PCB ASSY	MFC-L2717DW		
4	D0092T001	1	HIGH VOLTAGE POWER SUPPLY PCB ASSY	MFC-L2730DW	FOR GER/UK/ARL/SWI/ITA/IBE/FRA/BEL/NLD/PND	
4	D00HC2001	1	HIGH VOLTAGE POWER SUPPLY PCB ASSY	MFC-L2730DW	FOR USA/CAN	
4	D0092T001	1	HIGH VOLTAGE POWER SUPPLY PCB ASSY	MFC-L2732DW		
4	D0092T001	1	HIGH VOLTAGE POWER SUPPLY PCB ASSY	MFC-L2750DW	FOR PHL/ASA/GER/UK/ARL/SWI/ITA/IBE/FRA/BEL/NLD/PND	
4	D00HC2001	1	HIGH VOLTAGE POWER SUPPLY PCB ASSY	MFC-L2750DW	FOR USA/CAN	

12. PCB

REF No.	CODE	Q'TY	DESCRIPTION	MODEL	SPEC	REMARKS
4	D00HC2001	1	HIGH VOLTAGE POWER SUPPLY PCB ASSY	MFC-L2750DWXL		
4	D0092T001	1	HIGH VOLTAGE POWER SUPPLY PCB ASSY	MFC-L2751DW		
4	D0092T001	1	HIGH VOLTAGE POWER SUPPLY PCB ASSY	MFC-L2752DW		
4	D0092T001	1	HIGH VOLTAGE POWER SUPPLY PCB ASSY	MFC-L2770DW		
4	D0092T001	1	HIGH VOLTAGE POWER SUPPLY PCB ASSY	MFC-L2771DW		
5	D00G37001	1	MODEM FLAT CABLE	MFC-7895DW		
5	D00G37001	1	MODEM FLAT CABLE	MFC-B7700D		
5	D00G37001	1	MODEM FLAT CABLE	MFC-B7715DW		
5	D00G37001	1	MODEM FLAT CABLE	MFC-B7720DN		
5	D00G37001	1	MODEM FLAT CABLE	MFC-L2690DW		
5	D00G37001	1	MODEM FLAT CABLE	MFC-L2690DWXL		
5	D00G37001	1	MODEM FLAT CABLE	MFC-L2710DN		
5	D00G37001	1	MODEM FLAT CABLE	MFC-L2710DW		
5	D00G37001	1	MODEM FLAT CABLE	MFC-L2712DN		
5	D00G37001	1	MODEM FLAT CABLE	MFC-L2712DW		
5	D00G37001	1	MODEM FLAT CABLE	MFC-L2713DW		
5	D00G37001	1	MODEM FLAT CABLE	MFC-L2715DW		
5	D00G37001	1	MODEM FLAT CABLE	MFC-L2716DW		
5	D00G37001	1	MODEM FLAT CABLE	MFC-L2717DW		
5	D00G37001	1	MODEM FLAT CABLE	MFC-L2730DW		
5	D00G37001	1	MODEM FLAT CABLE	MFC-L2732DW		
5	D00G37001	1	MODEM FLAT CABLE	MFC-L2750DW		
5	D00G37001	1	MODEM FLAT CABLE	MFC-L2750DWXL		
5	D00G37001	1	MODEM FLAT CABLE	MFC-L2751DW		
5	D00G37001	1	MODEM FLAT CABLE	MFC-L2752DW		
5	D00G37001	1	MODEM FLAT CABLE	MFC-L2770DW		
5	D00G37001	1	MODEM FLAT CABLE	MFC-L2771DW		

13. ACCESSORIES



REF No. 3,4,5,7 has no picture.

13. ACCESSORIES

REF No.	CODE	Q'TY	DESCRIPTION	MODEL	SPEC	REMARKS
1	D00UXB001	1	PF KIT SP			
2	D00YXV001	1	AC CORD BAG ASSY C13 VDE 075	DCP-B7520DW	FOR CEE	chg
2	D00YXV001	1	AC CORD BAG ASSY C13 VDE 075	DCP-L2510D	FOR GER/ITA/FRA/BEL/NLD/IBE	chg
2	D00YY1001	1	AC CORD BAG ASSY C13 BS/PSB075	DCP-L2510D	FOR UK	chg
2	D00YXW001	1	AC CORD BAG ASSY C13 NS 075	DCP-L2510D	FOR PND	chg
2	D00YXV001	1	AC CORD BAG ASSY C13 VDE 075	DCP-L2512D		chg
2	D00YXV001	1	AC CORD BAG ASSY C13 VDE 075	DCP-L2530DW	FOR GER/FRA/BEL/NLD/IBE	chg
2	D00YY1001	1	AC CORD BAG ASSY C13 BS/PSB075	DCP-L2530DW	FOR UK	chg
2	D00YY9001	1	AC CORD BAG ASSY C13 SEV 075	DCP-L2530DW	FOR SWI	chg
2	D00YXW001	1	AC CORD BAG ASSY C13 NS 075	DCP-L2530DW	FOR PND	chg
2	D00YXV001	1	AC CORD BAG ASSY C13 VDE 075	DCP-L2532DW		chg
2	D00YXV001	1	AC CORD BAG ASSY C13 VDE 075	DCP-L2535D		chg
2	D00YY1001	1	AC CORD BAG ASSY C13 BS/PSB075	DCP-L2535D		chg
2	D00YXV001	1	AC CORD BAG ASSY C13 VDE 075	DCP-L2535DW	FOR ASA	chg
2	D00YY1001	1	AC CORD BAG ASSY C13 BS/PSB075	DCP-L2535DW	FOR ASA	chg
2	D00YXW001	1	AC CORD BAG ASSY C13 NS 075	DCP-L2537DW		chg
2	D00YXV001	1	AC CORD BAG ASSY C13 VDE 075	DCP-L2550DN	FOR GER/ITA/FRA/BEL/NLD/IBE	chg
2	D00YY9001	1	AC CORD BAG ASSY C13 SEV 075	DCP-L2550DN	FOR SWI	chg
2	D00YXW001	1	AC CORD BAG ASSY C13 NS 075	DCP-L2550DN	FOR PND	chg
2	D00YXV001	1	AC CORD BAG ASSY C13 VDE 075	DCP-L2550DW	FOR ASA	chg
2	D00YY1001	1	AC CORD BAG ASSY C13 BS/PSB075	DCP-L2550DW	FOR ASA	chg
2	D00YXV001	1	AC CORD BAG ASSY C13 VDE 075	DCP-L2551DN		chg
2	D00YXV001	1	AC CORD BAG ASSY C13 VDE 075	DCP-L2552DN		chg
2	D00YXV001	1	AC CORD BAG ASSY C13 VDE 075	MFC-B7715DW	FOR POL/CEE	chg
2	D00YXV001	1	AC CORD BAG ASSY C13 VDE 075	MFC-L2710DN	FOR GER/FRA/ITA	chg
2	D00YY1001	1	AC CORD BAG ASSY C13 BS/PSB075	MFC-L2710DN	FOR UK	chg
2	D00YYE001	1	AC CORD BAG ASSY C13 ISRAEL	MFC-L2710DN	FOR ISR	chg
2	D00YXV001	1	AC CORD BAG ASSY C13 VDE 075	MFC-L2710DW	FOR GER/FRA/BEL/NLD/ITA/IBE	chg
2	D00YY1001	1	AC CORD BAG ASSY C13 BS/PSB075	MFC-L2710DW	FOR UK	chg
2	D00YY9001	1	AC CORD BAG ASSY C13 SEV 075	MFC-L2710DW	FOR SWI	chg
2	D00YYE001	1	AC CORD BAG ASSY C13 ISRAEL	MFC-L2710DW	FOR ISR	chg
2	D00YXW001	1	AC CORD BAG ASSY C13 NS 075	MFC-L2710DW	FOR PND	chg
2	D00YXV001	1	AC CORD BAG ASSY C13 VDE 075	MFC-L2712DN		chg
2	D00YXV001	1	AC CORD BAG ASSY C13 VDE 075	MFC-L2712DW		chg
2	D00YXV001	1	AC CORD BAG ASSY C13 VDE 075	MFC-L2715DW	FOR ASA	chg
2	D00YY1001	1	AC CORD BAG ASSY C13 BS/PSB075	MFC-L2715DW	FOR ASA	chg
2	D00YY9001	1	AC CORD BAG ASSY C13 SEV 075	MFC-L2730DW	FOR SWI	chg
2	D00YXW001	1	AC CORD BAG ASSY C13 NS 075	MFC-L2730DW	FOR PND	chg
2	D00YY1001	1	AC CORD BAG ASSY C13 BS/PSB075	MFC-L2730DW	FOR UK	chg
2	D00YXV001	1	AC CORD BAG ASSY C13 VDE 075	MFC-L2730DW	FOR GER/ITA/IBE/FRA/BEL/NLD	chg
2	D00YXV001	1	AC CORD BAG ASSY C13 VDE 075	MFC-L2732DW		chg
2	D00YXV001	1	AC CORD BAG ASSY C13 VDE 075	MFC-L2750DW	FOR ASA/GER/ITA/IBE/FRA/BEL/NLD	chg
2	D00YY1001	1	AC CORD BAG ASSY C13 BS/PSB075	MFC-L2750DW	FOR ASA/UK	chg
2	D00YXW001	1	AC CORD BAG ASSY C13 NS 075	MFC-L2750DW	FOR PND	chg
2	D00YY9001	1	AC CORD BAG ASSY C13 SEV 075	MFC-L2750DW	FOR SWI	chg
2	D00YXV001	1	AC CORD BAG ASSY C13 VDE 075	MFC-L2751DW	FOR RUS	chg
2	D00YXV001	1	AC CORD BAG ASSY C13 VDE 075	MFC-L2752DW		chg
2	D00YXV001	1	AC CORD BAG ASSY C13 VDE 075	MFC-L2770DW	FOR ASA	chg
2	D00YY1001	1	AC CORD BAG ASSY C13 BS/PSB075	MFC-L2770DW	FOR ASA	chg
(3)	LT3841001	1	TELEPHONE LINE CORD CSA CHN2M	MFC-7895DW		
(3)	LT3841001	1	TELEPHONE LINE CORD CSA CHN2M	MFC-B7700D		
(3)	LG3077001	1	TELEPHONE LINE CORD CSA	MFC-B7715DW		
(3)	LT3841001	1	TELEPHONE LINE CORD CSA CHN2M	MFC-B7720DN		

13. ACCESSORIES

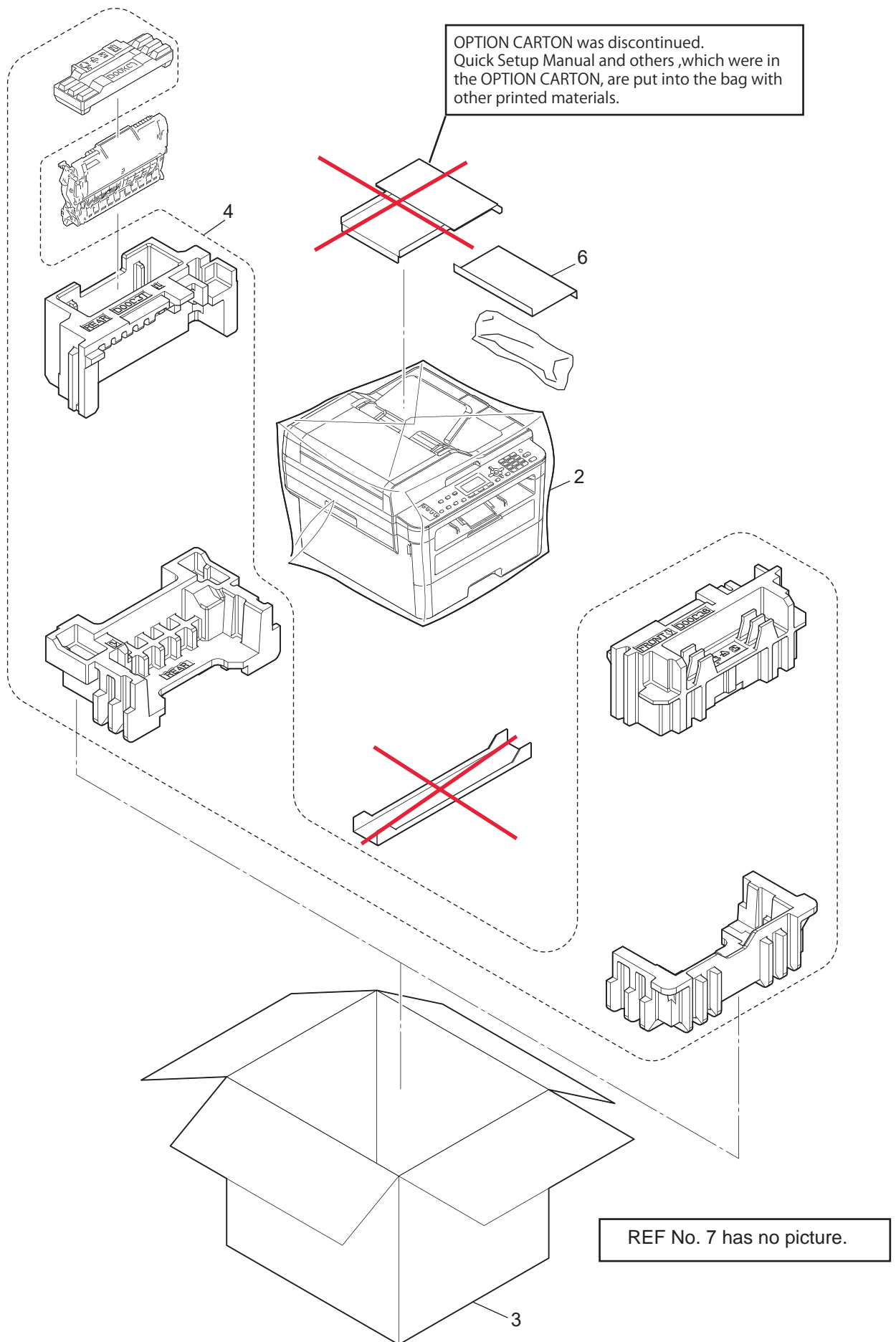
REF No.	CODE	Q'TY	DESCRIPTION	MODEL	SPEC	REMARKS
(3)	LG3077001	1	TELEPHONE LINE CORD CSA	MFC-L2690DW		
(3)	LG3077001	1	TELEPHONE LINE CORD CSA	MFC-L2690DWXL		
(3)	UG3625001	1	TELEPHONE LINE CORD GER	MFC-L2710DN	FOR GER	
(3)	UG4205001	1	TELEPHONE LINE CORD AUS	MFC-L2710DN	FOR GER	
(3)	LG3077001	1	TELEPHONE LINE CORD CSA	MFC-L2710DN	FOR UK/ISR	
(3)	UG3626001	1	TELEPHONE LINE CORD UK6P	MFC-L2710DN	FOR UK	
(3)	UG3627001	1	TELEPHONE LINE CORD FRA	MFC-L2710DN	FOR FRA	
(3)	LT2144001	1	TELEPHONE LINE CORD ITA	MFC-L2710DN	FOR ITA	
(3)	LG3077001	1	TELEPHONE LINE CORD CSA	MFC-L2710DW	FOR USA/CAN/UK/BEL/NLD/ISR/ IBE	
(3)	UG3625001	1	TELEPHONE LINE CORD GER	MFC-L2710DW	FOR GER	
(3)	UG4205001	1	TELEPHONE LINE CORD AUS	MFC-L2710DW	FOR GER	
(3)	UG3626001	1	TELEPHONE LINE CORD UK6P	MFC-L2710DW	FOR UK	
(3)	UG3627001	1	TELEPHONE LINE CORD FRA	MFC-L2710DW	FOR FRA	
(3)	LT3317001	1	TELEPHONE LINE CORD CSA2	MFC-L2710DW	FOR ARL	
(3)	LG7202001	1	TELEPHONE LINE CORD SWI	MFC-L2710DW	FOR SWI	
(3)	LT2144001	1	TELEPHONE LINE CORD ITA	MFC-L2710DW	FOR ITA	
(3)	LG5827001	1	TELEPHONE LINE CORD RJ45	MFC-L2710DW	FOR PND	
(3)	LG3077001	1	TELEPHONE LINE CORD CSA	MFC-L2712DN		
(3)	LG3077001	1	TELEPHONE LINE CORD CSA	MFC-L2712DW		
(3)	LT3317001	1	TELEPHONE LINE CORD CSA2	MFC-L2713DW	FOR ARL	
(3)	UG3290001	1	TELEPHONE LINE CORD NZ	MFC-L2713DW	FOR NZ	
(3)	LG3077001	1	TELEPHONE LINE CORD CSA	MFC-L2715DW		
(3)	UG3290001	1	TELEPHONE LINE CORD NZ	MFC-L2715DW	FOR ASA	
(3)	LG3077001	1	TELEPHONE LINE CORD CSA	MFC-L2716DW		
(3)	LG3077001	1	TELEPHONE LINE CORD CSA	MFC-L2717DW		
(3)	LG5827001	1	TELEPHONE LINE CORD RJ45	MFC-L2730DW	FOR PND	
(3)	UG3627001	1	TELEPHONE LINE CORD FRA	MFC-L2730DW	FOR FRA/BEL/NLD	
(3)	LG3077001	1	TELEPHONE LINE CORD CSA	MFC-L2730DW	FOR USA/CAN/UK/ITA/IBE/FRA/ BEL/NLD	
(3)	UG3625001	1	TELEPHONE LINE CORD GER	MFC-L2730DW	FOR GER	
(3)	UG4205001	1	TELEPHONE LINE CORD AUS	MFC-L2730DW	FOR GER	
(3)	UG3626001	1	TELEPHONE LINE CORD UK6P	MFC-L2730DW	FOR UK	
(3)	LT3317001	1	TELEPHONE LINE CORD CSA2	MFC-L2730DW	FOR ARL	
(3)	LG7202001	1	TELEPHONE LINE CORD SWI	MFC-L2730DW	FOR SWI	
(3)	LT2144001	1	TELEPHONE LINE CORD ITA	MFC-L2730DW	FOR ITA/IBE	
(3)	LG3077001	1	TELEPHONE LINE CORD CSA	MFC-L2732DW		
(3)	LG3077001	1	TELEPHONE LINE CORD CSA	MFC-L2750DW	FOR PHL/ASA/USA/CAN/UK/ITA/ IBE/FRA/BEL/NLD	
(3)	UG3290001	1	TELEPHONE LINE CORD NZ	MFC-L2750DW	FOR ASA	
(3)	UG3625001	1	TELEPHONE LINE CORD GER	MFC-L2750DW	FOR GER	
(3)	UG4205001	1	TELEPHONE LINE CORD AUS	MFC-L2750DW	FOR GER	
(3)	UG3626001	1	TELEPHONE LINE CORD UK6P	MFC-L2750DW	FOR UK	
(3)	LT3317001	1	TELEPHONE LINE CORD CSA2	MFC-L2750DW	FOR ARL	
(3)	LG7202001	1	TELEPHONE LINE CORD SWI	MFC-L2750DW	FOR SWI	
(3)	LT2144001	1	TELEPHONE LINE CORD ITA	MFC-L2750DW	FOR ITA/IBE	
(3)	UG3627001	1	TELEPHONE LINE CORD FRA	MFC-L2750DW	FOR FRA/BEL/NLD	
(3)	LG5827001	1	TELEPHONE LINE CORD RJ45	MFC-L2750DW	FOR PND	
(3)	LG3077001	1	TELEPHONE LINE CORD CSA	MFC-L2750DWXL		
(3)	LG3077001	1	TELEPHONE LINE CORD CSA	MFC-L2751DW		
(3)	LG3077001	1	TELEPHONE LINE CORD CSA	MFC-L2752DW		
(3)	UG3290001	1	TELEPHONE LINE CORD NZ	MFC-L2770DW	FOR NZ	
(3)	LG3077001	1	TELEPHONE LINE CORD CSA	MFC-L2770DW	FOR PHL/TWN/ASA/KOR	
(3)	LG3077001	1	TELEPHONE LINE CORD CSA	MFC-L2771DW		
(4)	LT3927001	1	TELEPHONE PLUG ARL2	MFC-L2710DW	FOR ARL	
(4)	LG5828001	1	TELEPHONE PLUG DEN	MFC-L2710DW	FOR PND	
(4)	LG5829001	1	TELEPHONE PLUG FIN	MFC-L2710DW	FOR PND	
(4)	LG5830001	1	TELEPHONE PLUG SWE	MFC-L2710DW	FOR PND	
(4)	LT3927001	1	TELEPHONE PLUG ARL2	MFC-L2713DW	FOR ARL	
(4)	LG5829001	1	TELEPHONE PLUG FIN	MFC-L2730DW	FOR PND	
(4)	LG5830001	1	TELEPHONE PLUG SWE	MFC-L2730DW	FOR PND	
(4)	LG5828001	1	TELEPHONE PLUG DEN	MFC-L2730DW	FOR PND	
(4)	LT3927001	1	TELEPHONE PLUG ARL2	MFC-L2730DW	FOR ARL	
(4)	LG5830001	1	TELEPHONE PLUG SWE	MFC-L2750DW	FOR PND	
(4)	LT3927001	1	TELEPHONE PLUG ARL2	MFC-L2750DW	FOR ARL	

13. ACCESSORIES

REF No.	CODE	Q'TY	DESCRIPTION	MODEL	SPEC	REMARKS
(4)	LG5828001	1	TELEPHONE PLUG DEN	MFC-L2750DW	FOR PND	
(4)	LG5829001	1	TELEPHONE PLUG FIN	MFC-L2750DW	FOR PND	
(5)	LJ9803001	1	USB CABLE 2.0			
6	D00UXC001	1	PF KIT MP SP	DCP-7195DW		
6	D00UXC001	1	PF KIT MP SP	MFC-7895DW		
6	D00UXC001	1	PF KIT MP SP	MFC-L2770DW		
6	D00UXC001	1	PF KIT MP SP	MFC-L2771DW		
(7)	D011B4001	1	DRUM CLEANING SHEET KIT (SP)			add
8	LEJ288013	1	HANDSET	MFC-7895DW		ADD
8	LEJ288013	1	HANDSET	MFC-B7700D		ADD
8	LEJ288013	1	HANDSET	MFC-B7720DN		ADD
9	LT1405003	1	HANDSET CURLED CORD	MFC-7895DW		ADD
9	LT1405003	1	HANDSET CURLED CORD	MFC-B7700D		ADD
9	LT1405003	1	HANDSET CURLED CORD	MFC-B7720DN		ADD

14. PACKING MATERIALS

REF No. 1 & 5 parts were removed to reduce production cost.



14. PACKING MATERIALS

REF No.	CODE	Q'TY	DESCRIPTION	MODEL	SPEC	REMARKS
2	LEA183001	1	BAG 900X900			CHG
3	D01KWN001	1	CARTON DCP-7090DW CHN	DCP-7090DW		
3	D01KWR001	1	CARTON DCP-7190DW CHN	DCP-7190DW		
3	D00WRR001	1	CARTON DCP-7195DW CHN	DCP-7195DW		
3	D00W3U001	1	CARTON DCP-B7500D CHN	DCP-B7500D	FOR CHN	
3	D00W1X001	1	CARTON DCP-B7500D IND	DCP-B7500D	FOR IND	
3	D01694001	1	CARTON DCP-B7520DW BRZ-C	DCP-B7520DW	FOR BRA	
3	D0181F001	1	CARTON DCP-B7520DW CHN	DCP-B7520DW	FOR BRA	
3	D00U27001	1	CARTON DCP-B7520DW CEE-C	DCP-B7520DW	FOR CEE	
3	D00W2W001	1	CARTON DCP-B7530DN CHN	DCP-B7530DN		
3	D01ALB001	1	CARTON DCP-B7535DW MEX	DCP-B7535DW	FOR MEX	
3	D00SB7001	1	CARTON DCP-B7535DW ASA	DCP-B7535DW	FOR VNM/IDN/IND	
3	D0181G001	1	CARTON DCP-B7535DW CHN	DCP-B7535DW	FOR BRA	
3	D01697001	1	CARTON DCP-B7535DW BRZ-C	DCP-B7535DW	FOR BRA	
3	D00PZJ001	1	CARTON DCP-L2510D EUR-C	DCP-L2510D		
3	D00U0A001	1	CARTON DCP-L2512D CEE-C	DCP-L2512D		
3	D00PK1001	1	CARTON DCP-L2530DW GER-C	DCP-L2530DW	FOR GER	
3	D00PK5001	1	CARTON DCP-L2530DW EUR-C	DCP-L2530DW	FOR UK/SWI/FRA/BEL/NLD/PND/ IBE	
3	D00URA001	1	CARTON DCP-L2531DW IND-C	DCP-L2531DW		
3	D00U38001	1	CARTON DCP-L2532DW CEE-C	DCP-L2532DW		
3	D01250001	1	CARTON DCP-L2535D ASA-C	DCP-L2535D		
3	D01KWM001	1	CARTON DCP-L2535DW CHN	DCP-L2535DW	FOR CHN	
3	D00S09001	1	CARTON DCP-L2535DW ASA-C	DCP-L2535DW	FOR ASA	
3	D00RMU001	1	CARTON DCP-L2537DW PAN-NOR-C	DCP-L2537DW		
3	D00PMA001	1	CARTON DCP-L2550DN EUR-C	DCP-L2550DN		
3	D01KWP001	1	CARTON DCP-L2550DW CHN	DCP-L2550DW	FOR CHN	
3	D00S68001	1	CARTON DCP-L2550DW ASA-C	DCP-L2550DW	FOR PHL/ASA	
3	D00PW1001	1	CARTON DCP-L2550DW US-C	DCP-L2550DW	FOR USA	
3	D00PW2001	1	CARTON DCP-L2550DW CAN-C	DCP-L2550DW	FOR CAN	
3	D00UW8001	1	CARTON DCP-L2551DN RUS-C	DCP-L2551DN		
3	D00WX3001	1	CARTON DCP-L2551DW MEX	DCP-L2551DW		
3	D00U4V001	1	CARTON DCP-L2552DN CEE-C	DCP-L2552DN		
3	D00PUE001	1	CARTON HL-L2390DW US-C	HL-L2390DW	FOR USA	
3	D00PUN001	1	CARTON HL-L2390DW CAN-C	HL-L2390DW	FOR CAN	
3	D00PER001	1	CARTON HL-L2395DW US-C	HL-L2395DW	FOR USA	
3	D00PEV001	1	CARTON HL-L2395DW CAN-C	HL-L2395DW	FOR CAN	
3	D00RY3001	1	CARTON HL-L2395DW ARL-C	HL-L2395DW	FOR ARL	
3	D00WTM001	1	CARTON MFC-7895DW CHN	MFC-7895DW		
3	D00W2X001	1	CARTON MFC-B7700D CHN	MFC-B7700D		
3	D00VPA001	1	CARTON MFC-B7715DW CEE-C	MFC-B7715DW	FOR POL/CEE	
3	D00VLY001	1	CARTON MFC-B7715DW ASA	MFC-B7715DW	FOR VNM/IDN/IND	
3	D00W2Y001	1	CARTON MFC-B7720DN CHN	MFC-B7720DN		
3	D01ENB001	1	CARTON MFC-L2690DW US-C	MFC-L2690DW		
3	D01ENF001	1	CARTON MFC-L22690DWXL US-C	MFC-L2690DWXL		
3	D00R5M001	1	CARTON MFC-L2710DN EUR-C	MFC-L2710DN		
3	D00C3K001	1	CARTON MFC-L2710DW US-C	MFC-L2710DW	FOR USA	
3	D00R1S001	1	CARTON MFC-L2710DW CAN-C	MFC-L2710DW	FOR CAN	
3	D00PUX001	1	CARTON MFC-L2710DW GER-C	MFC-L2710DW	FOR GER	
3	D00PWC001	1	CARTON MFC-L2710DW EUR-C	MFC-L2710DW	FOR UK/FRA/BEL/NLD/SWI/ITA/ ISR/PND/IBE	
3	D00RYG001	1	CARTON MFC-L2710DW ARL-C	MFC-L2710DW	FOR ARL	
3	D00U3W001	1	CARTON MFC-L2712DN CEE-C	MFC-L2712DN		
3	D00U4D001	1	CARTON MFC-L2712DW CEE-C	MFC-L2712DW		
3	D00RZ6001	1	CARTON MFC-L2713DW OCE-C	MFC-L2713DW		
3	D00S6H001	1	CARTON MFC-L2715DW ASA-C	MFC-L2715DW		
3	D00U76001	1	CARTON MFC-L2716DW TUR-C	MFC-L2716DW		
3	D017AZ001	1	CARTON MFC-L2717DW US-C	MFC-L2717DW		
3	D00RZZ001	1	CARTON MFC-L2730DW ARL-C	MFC-L2730DW	FOR ARL	
3	D00PYT001	1	CARTON MFC-L2730DW EUR-C	MFC-L2730DW	FOR UK/SWI/ITA/IBE/FRA/BEL/ NLD/PND	
3	D01ENK001	1	CARTON MFC-L2730DW US-C	MFC-L2730DW	FOR USA	
3	D00RG7001	1	CARTON MFC-L2730DW CAN-C	MFC-L2730DW	FOR CAN	
3	D00PY8001	1	CARTON MFC-L2730DW GER-C	MFC-L2730DW	FOR GER	
3	D00V6M001	1	CARTON MFC-L2732DW CEE-C	MFC-L2732DW		

14. PACKING MATERIALS

REF No.	CODE	Q'TY	DESCRIPTION	MODEL	SPEC	REMARKS
3	D00S7N001	1	CARTON MFC-L2750DW ASA-C	MFC-L2750DW	FOR PHL/ASA	
3	D00S05001	1	CARTON MFC-L2750DW ARL-C	MFC-L2750DW	FOR ARL	
3	D00R3S001	1	CARTON MFC-L2750DW US-C	MFC-L2750DW	FOR USA	
3	D00R3X001	1	CARTON MFC-L2750DW CAN-C	MFC-L2750DW	FOR CAN	
3	D00R0H001	1	CARTON MFC-L2750DW GER-C	MFC-L2750DW	FOR GER	
3	D00R0U001	1	CARTON MFC-L2750DW EUR-C	MFC-L2750DW	FOR UK/SWI/ITA/IBE/FRA/BEL/ NLD/PND	
3	D00TRX001	1	CARTON MFC-L2750DWXL US-C	MFC-L2750DWXL		
3	D00VB1001	1	CARTON MFC-L2751DW TUR-C	MFC-L2751DW	FOR TUR	
3	D00V7Z001	1	CARTON MFC-L2751DW RUS-C	MFC-L2751DW	FOR RUS	
3	D012RZ001	1	CARTON MFC-L2752DW CEE-C	MFC-L2752DW		
3	D00WDR001	1	CARTON MFC-L2770DW OCE-C	MFC-L2770DW	FOR NZ	
3	D00XAS001	1	CARTON MFC-L2770DW ASA-C	MFC-L2770DW	FOR PHL/TWN/ASA/KOR	
3	D00XAW001	1	CARTON MFC-L2771DW ASA-C	MFC-L2771DW	FOR VNM/IDN	
3	D00WDE001	1	CARTON MFC-L2771DW TUR	MFC-L2771DW	FOR TUR	
4	D00CTK001	1	POLYSTYRENE PAD ASSY	DCP-7090DW		
4	D00C3P001	1	POLYSTYRENE PAD ASSY	DCP-7190DW		
4	D00MNN001	1	POLYSTYRENE PAD ASSY	DCP-7195DW		
4	D00CTK001	1	POLYSTYRENE PAD ASSY	DCP-B7500D		
4	D00CTK001	1	POLYSTYRENE PAD ASSY	DCP-B7520DW		
4	D00C3P001	1	POLYSTYRENE PAD ASSY	DCP-B7530DN		
4	D00C3P001	1	POLYSTYRENE PAD ASSY	DCP-B7535DW		
4	D00CTK001	1	POLYSTYRENE PAD ASSY	DCP-L2510D		
4	D00CTK001	1	POLYSTYRENE PAD ASSY	DCP-L2512D		
4	D00CTK001	1	POLYSTYRENE PAD ASSY	DCP-L2530DW		
4	D00CTK001	1	POLYSTYRENE PAD ASSY	DCP-L2531DW		
4	D00CTK001	1	POLYSTYRENE PAD ASSY	DCP-L2532DW		
4	D00CTK001	1	POLYSTYRENE PAD ASSY	DCP-L2535D		
4	D00CTK001	1	POLYSTYRENE PAD ASSY	DCP-L2535DW		
4	D00CTK001	1	POLYSTYRENE PAD ASSY	DCP-L2537DW		
4	D00C3P001	1	POLYSTYRENE PAD ASSY	DCP-L2550DN		
4	D00C3P001	1	POLYSTYRENE PAD ASSY	DCP-L2550DW		
4	D00C3P001	1	POLYSTYRENE PAD ASSY	DCP-L2551DN		
4	D00C3P001	1	POLYSTYRENE PAD ASSY	DCP-L2551DW		
4	D00C3P001	1	POLYSTYRENE PAD ASSY	DCP-L2552DN		
4	D00CTK001	1	POLYSTYRENE PAD ASSY	HL-L2390DW		
4	D00CTK001	1	POLYSTYRENE PAD ASSY	HL-L2395DW		
4	D00NY2001	1	POLYSTYRENE PAD ASSY	MFC-7895DW		
4	D00MYN001	1	POLYSTYRENE PAD ASSY	MFC-B7700D		
4	D00C3P001	1	POLYSTYRENE PAD ASSY	MFC-B7715DW		
4	D00MYN001	1	POLYSTYRENE PAD ASSY	MFC-B7720DN		
4	D00C3P001	1	POLYSTYRENE PAD ASSY	MFC-L2690DW		
4	D00T0D001	1	POLYSTYRENE PAD ASSY	MFC-L2690DWXL		
4	D00C3P001	1	POLYSTYRENE PAD ASSY	MFC-L2710DN		
4	D00C3P001	1	POLYSTYRENE PAD ASSY	MFC-L2710DW		
4	D00C3P001	1	POLYSTYRENE PAD ASSY	MFC-L2712DN		
4	D00C3P001	1	POLYSTYRENE PAD ASSY	MFC-L2712DW		
4	D00C3P001	1	POLYSTYRENE PAD ASSY	MFC-L2713DW		
4	D00C3P001	1	POLYSTYRENE PAD ASSY	MFC-L2715DW		
4	D00C3P001	1	POLYSTYRENE PAD ASSY	MFC-L2716DW		
4	D00C3P001	1	POLYSTYRENE PAD ASSY	MFC-L2717DW		
4	D00C3P001	1	POLYSTYRENE PAD ASSY	MFC-L2730DW		
4	D00C3P001	1	POLYSTYRENE PAD ASSY	MFC-L2732DW		
4	D00C3P001	1	POLYSTYRENE PAD ASSY	MFC-L2750DW		
4	D00T0D001	1	POLYSTYRENE PAD ASSY	MFC-L2750DWXL		
4	D00C3P001	1	POLYSTYRENE PAD ASSY	MFC-L2751DW		
4	D00C3P001	1	POLYSTYRENE PAD ASSY	MFC-L2752DW		
4	D00MNN001	1	POLYSTYRENE PAD ASSY	MFC-L2770DW		
4	D00MNN001	1	POLYSTYRENE PAD ASSY	MFC-L2771DW		
6	D00KD2001	1	OPTION CARTON	DCP-B7500D		
6	D00KD2001	1	OPTION CARTON	DCP-B7520DW		
6	D00KD2001	1	OPTION CARTON	DCP-B7530DN		
6	D00KD2001	1	OPTION CARTON	DCP-B7535DW		
6	D00KD2001	1	OPTION CARTON	MFC-B7700D		
6	D00KD2001	1	OPTION CARTON	MFC-B7715DW		

14. PACKING MATERIALS

REF No.	CODE	Q'TY	DESCRIPTION	MODEL	SPEC	REMARKS
6	D00KD2001	1	OPTION CARTON	MFC-B7720DN		
(7)	D00U2Z001	1	CARTON LABEL MFC-L2715DW TWN	MFC-L2715DW	FOR TWN	

* REF No. 1 & 5 parts were removed to reduce production cost.