



Laser FAX/MFC **PARTS REFERENCE LIST**

**MODEL:
DCP-8070D
MFC-8370DN / MFC-8380DN**



Read this list thoroughly before maintenance work.

Keep this list in a convenient place for quick and easy reference at all times.

NOTE FOR USING THIS PARTS REFERENCE LIST

1. In the case of ordering parts, it is necessary to mention the following items;

- (1) Code
- (2) Q'ty
- (3) Description
- (4) Symbol (PCB No. etc)

Note: Orders without Parts Code or Tool No. can not be accepted.

< Example >

REF.NO.	CODE	Q'TY	DESCRIPTION	SYMBOL	REMARK

2. Design-changed parts :

If any of the parts is changed, one of the following symbols is indicated in the REMARK column.

CHG(chg) : The parts is changed to a new parts.

ADD(add) : The parts is newly added.

DEL(del) : The parts is deleted.

Symbol in capital letters indicates the latest parts change information in the page.

3. Parts change will be informed by the Parts change information.

4. Parts are subject to change in design without prior notice.

COUNTRIES

GERMANY ----- GER

UNITED KINGDOM ----- UK

FRANCE ----- FRA

BELGIUM ----- BEL

NETHERLANDS ----- NLD

SWITZERLAND ----- CHE

AUSTRIA ----- AUS

CHINA ----- CHN

ITALY ----- ITA

PHILIPPINES ----- PHL

TURKEY ----- TUR

POLAND ----- POL

ASIA ----- ASA

GULF ----- GUL

BRAZIL ----- BRA

KOREA ----- KOR

INDIA ----- IND

RUSSIA ----- RUS

AUSTRALIA ----- ARL

NEW ZEALAND ----- NZ

PAN-NORDIC

(NORWAY/FINLAND/DENMARK/SWEDEN) ----- PND

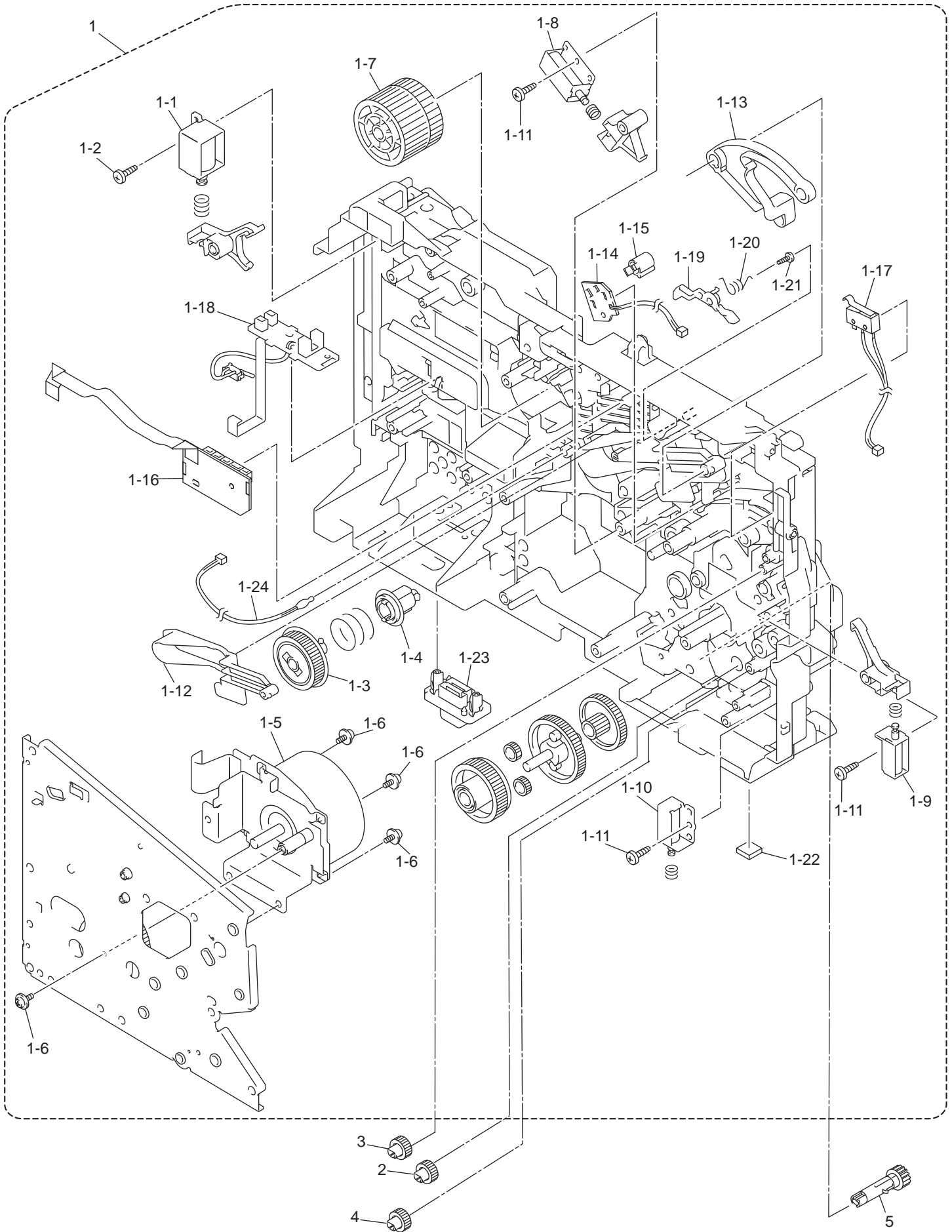
IBERIA (SPAIN/PORTUGAL) ----- IBR

CEE-GENERAL ----- CEE

CONTENTS

1.	<u>FRAME L & DRIVE UNIT</u>	1
2.	<u>FRAME UNIT</u>	3
3.	<u>LASER UNIT</u>	5
4.	<u>PAPER FEEDER</u>	7
5.	<u>DUPLEX</u>	9
6.	<u>PAPER TRAY</u>	11
7.	<u>FUSER UNIT</u>	13
8.	<u>COVERS</u>	15
9.	<u>DOCUMENT SCANNER</u>	17
10.	<u>ADF</u>	19
11.	<u>PANEL</u>	21
12.	<u>PCB</u>	23
13.	<u>ACCESSORIES</u>	25
14.	<u>PRINTED MATERIALS</u>	28
15.	<u>PACKING MATERIALS</u>	30
16.	<u>OTHERS</u>	33

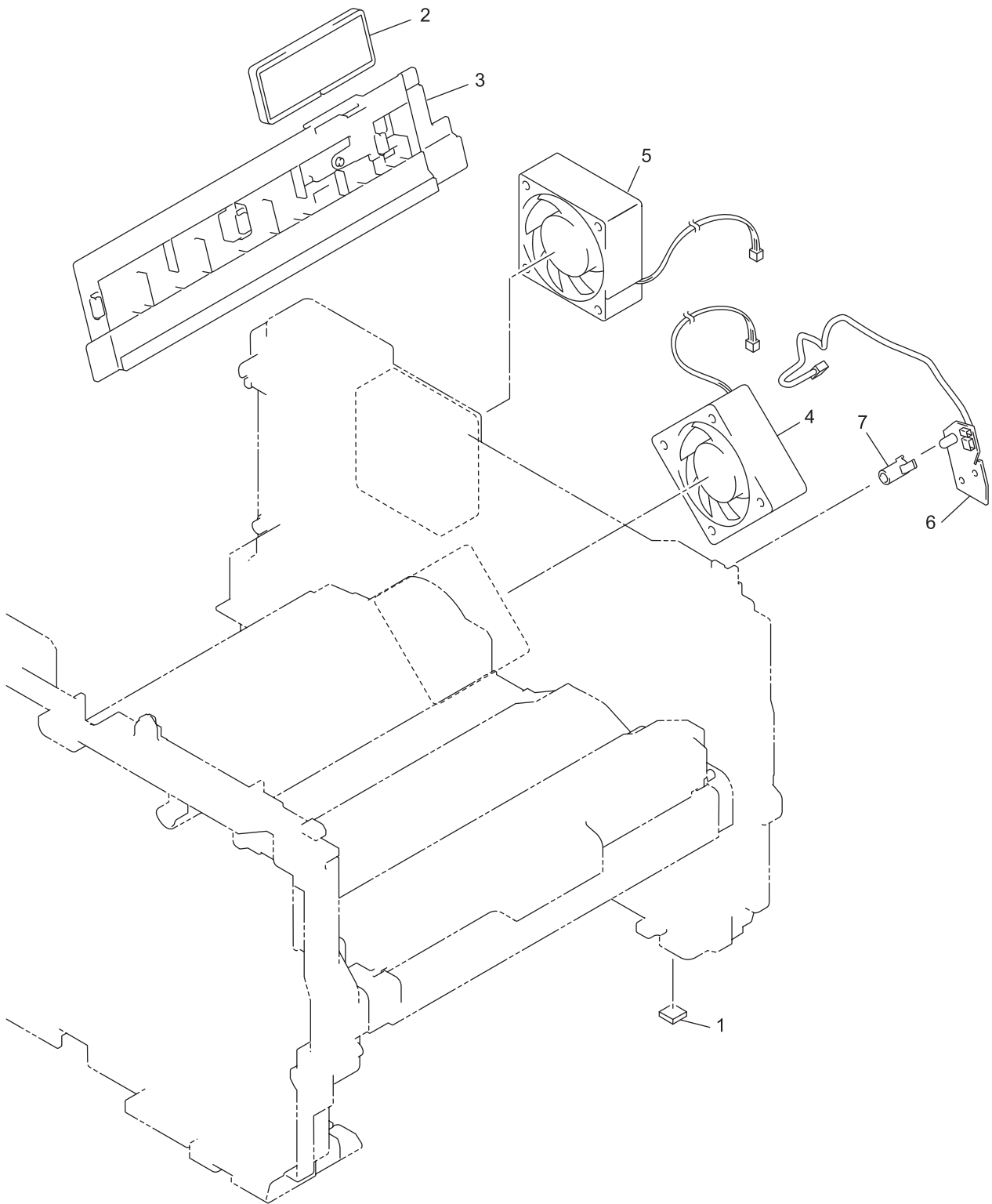
1. FRAME L & DRIVE UNIT



LIST1(FRAME L & DRIVE UNIT)

REF No.	CODE	Q'TY	DESCRIPTION	RECOMMEND	REMARKS
1	LX2520001	1	MAIN FRAME L UNIT, DCP8070D		CHG
1	LX2519001	1	MAIN FRAME L UNIT, MFC8370DN		CHG
1	LX2518001	1	MAIN FRAME L UNIT, MFC8380DN		CHG
1-1	LM5011001	1	EJECTOR SOLENOID		
1-2	085311016	1	TAPTITE BIND B M3x10		
1-3	LM5043001	1	DEV GEAR 37R JOINT DRIVE		
1-4	LU7214001	1	DEVELOP JOINT		
1-5	LM5047001	1	MAIN MOTOR ASSY		
1-6	087320616	4	TAPTITE CUP S M3x6		
1-7	LM5048001	1	FUSER GEAR 39 H/R DRIVE		
1-8	LM5058001	1	REGISTER SOLENOID ASSY		
1-9	LM5062001	1	MP SOLENOID ASSY		
1-10	LM5067001	1	T1 SOLENOID ASSY		
1-11	085311016	3	TAPTITE BIND B M3x10		
1-12	LM5079001	1	DRIVE RELEASE CAM		
1-13	LM5080001	1	DRIVE RELEASE LINK		
1-14	LJ9935001	1	TONER SENSOR PCB ASSY		
1-15	UL9037001	1	PT SENSOR HOLDER		
1-16	LV0690002	1	RELAY FRONT PCB ASSY		CHG
1-17	LJ9940001	1	FRONT COVER SENSOR ASSY		
1-18	LJ9942001	1	RELAY REAR PCB ASSY		
1-19	LM5085001	1	NEW TONER ACTUATOR		
1-20	LM5086001	1	NEW TONER ACTUATOR SPRING		
1-21	087210616	1	TAPTITE CUP B M2x6		
1-22	LJ7403001	1	RUBBER FOOT		
1-23	LJ9945001	1	CONNECTOR, MFC8380DN		
1-24	LG4518001	1	THERMISTOR ASSY		
2	LM5103001	1	GEAR 20 T1 ROLLER DRIVE		
3	LM5104001	1	GEAR 17 MP ROLLER DRIVE		
4	LM5102001	1	GEAR 17 FEED ROLLER DRIVE		add
5	LM5051001	1	DX GEAR 15 TRAY DRIVE		add

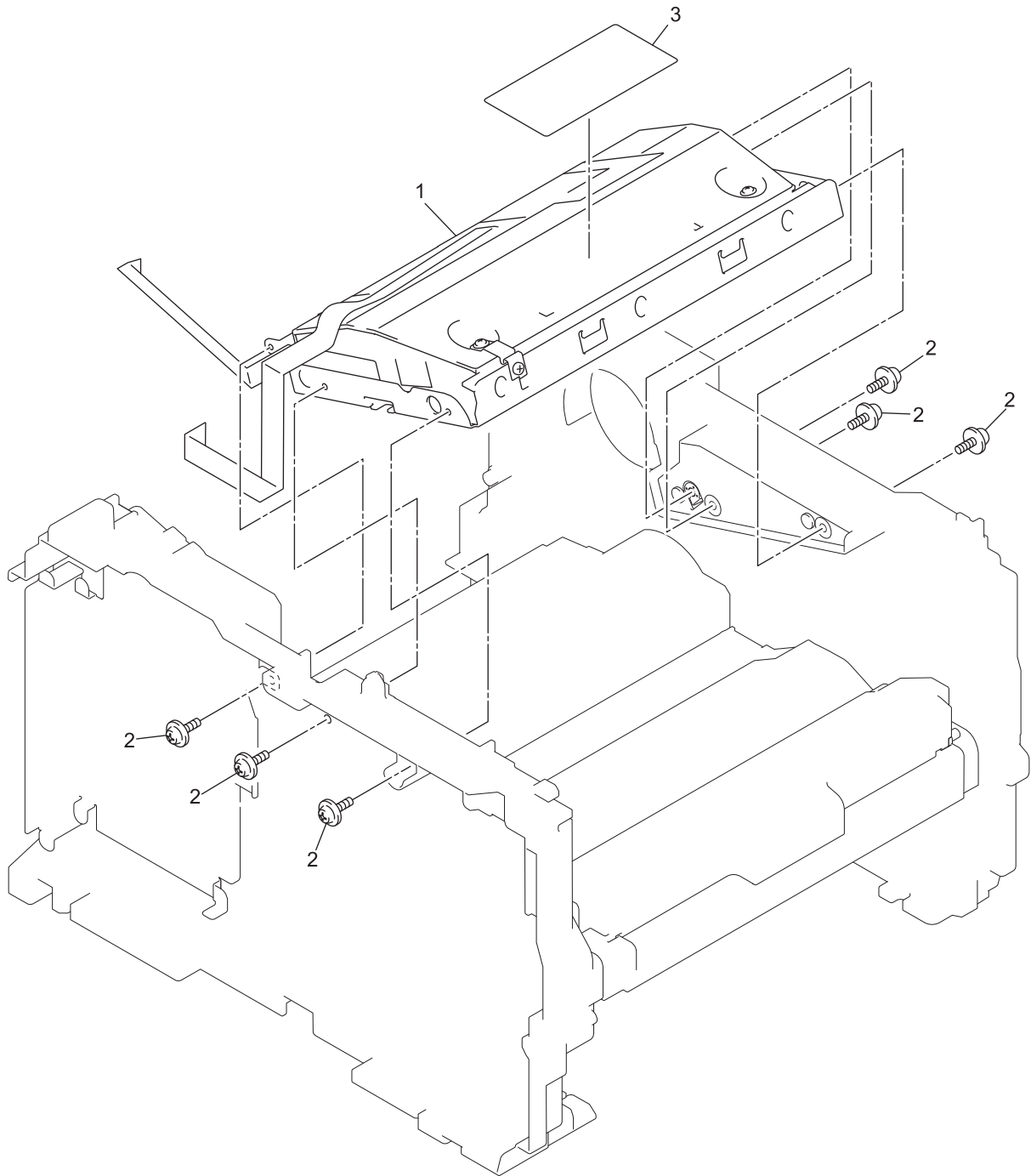
2. FRAME UNIT



LIST2(FRAME UNIT)

REF No.	CODE	Q'TY	DESCRIPTION	RECOMMEND	REMARKS
1	LJ7403001	1	RUBBER FOOT		
2	LU7141001	1	FILTER ASSY		
3	LM6655001	1	AIR DUCT ASSY		
4	LM5114001	1	FAN MOTOR 60 UNIT LV		
5	LU7032001	1	FAN MOTOR 60 UNIT		
6	LV0282001	1	TONER LED PCB ASSY		
7	LM4267001	1	LED HOLDER		

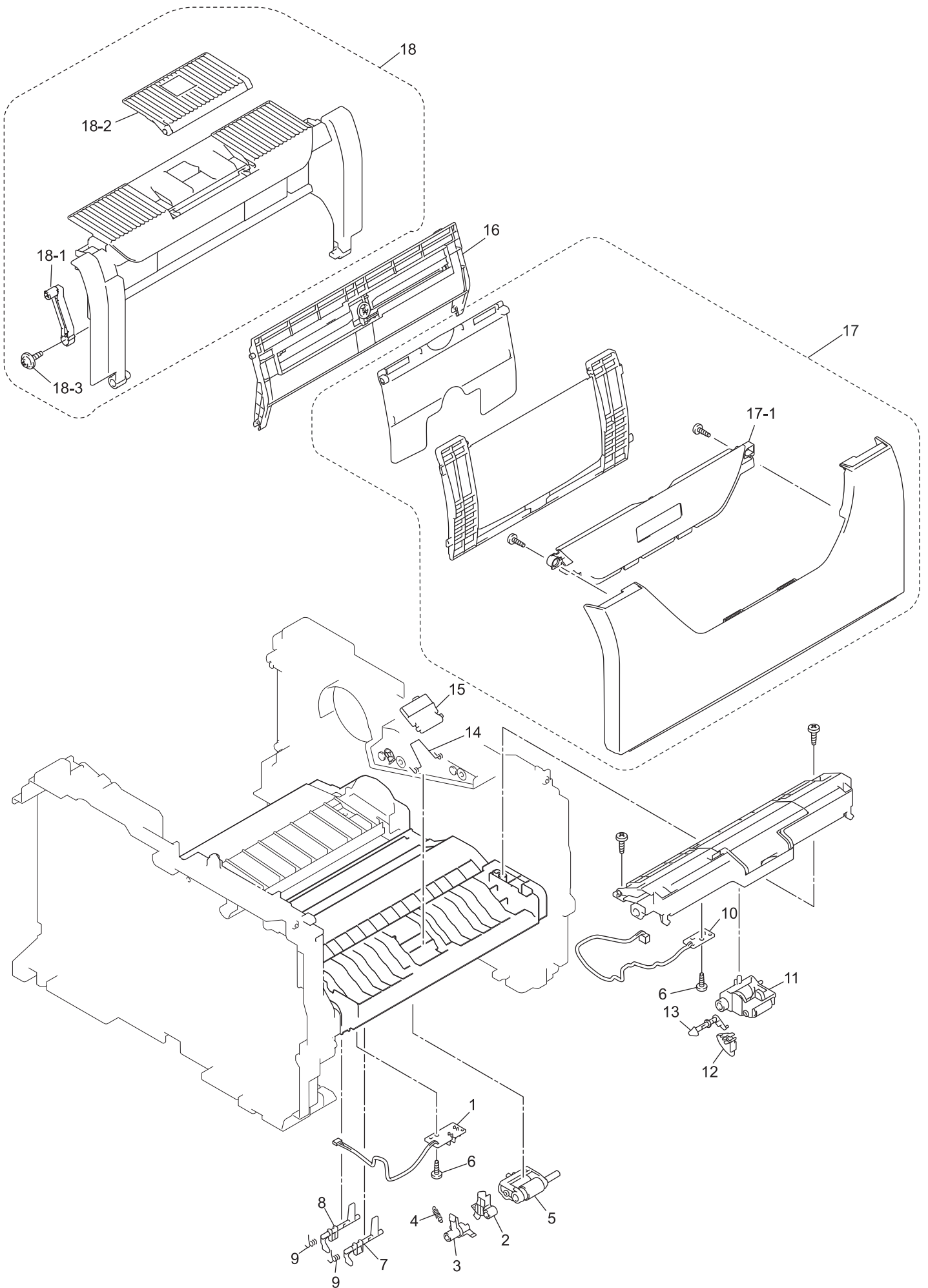
3. LASER UNIT



LIST3(LASER UNIT)

REF No.	CODE	Q'TY	DESCRIPTION	RECOMMEND
1	LU7176001	1	LASER UNIT (SP)	√
2	087320616	6	TAPTITE, CUP S M3X6	
3	LJ0908001	1	LASER CAUTION LABEL EXCEPT FOR CHN	
3	UL7931001	1	LASER CAUTION LABEL FOR CHN	

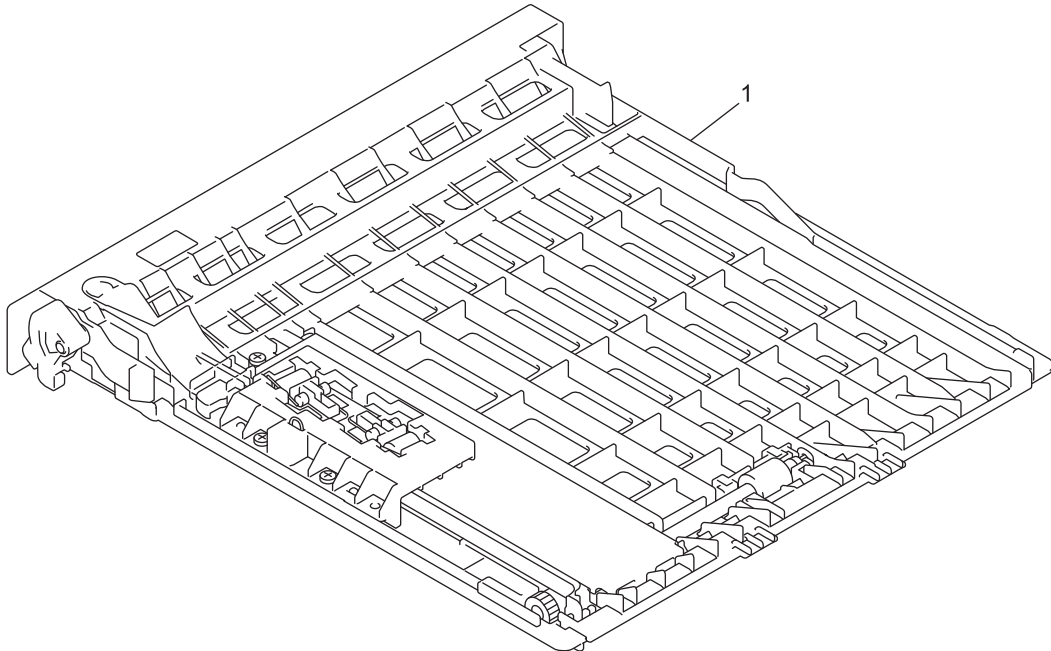
4.PAPER FEEDER



LIST4(PAPER FEEDER)

REF No.	CODE	Q'TY	DESCRIPTION	RECOMMEND	REMARKS
1	LM9001001	1	PE EG SENSOR ASSY		
2	LU7935001	1	PE ACTUATOR ASSY		CHG
3	LM5132001	1	EDGE ACTUATOR		
4	LM5133001	1	EDGE ACTUATOR SPRING		
5	LU7179001	1	ROLLER HOLDER ASSY		
6	085310816	2	TAPTITE BIND B M3x8		
7	LM5150001	1	REGIST ACTUATOR FRONT		
8	LM5151001	1	REGIST ACTUATOR REAR		
9	LM5152001	2	REGIST ACTUATOR SPRING		
10	LJ9999001	1	MP PE SENSOR ASSY		
11	LU7184001	1	MP ROLLER HOLDER ASSY		
12	LM5171001	1	PE ACTUATOR MP		
13	LU0027001	1	PE ACTUATOR MP B2		
14	LM6490001	1	MP SEPARATION SPRING		
15	LM6752001	1	SEPARATION PAD ASSY MP		
16	LM5196005	1	TRAY MP ASSY		
17	LS7010001	1	MP TRAY COVER ASSY		
17-1	LU7319001	1	EMBLEM COVER ASSY		
18	LU7037001	1	PROCESS COVER ASSY EXCEPT FOR CHN/IND		
18	LU7527001	1	PROCESS COVER ASSY FOR CHN		
18	LU7689001	1	PROCESS COVER ASSY FOR IND		
18-1	LM5124001	1	PROCESS COVER STOPPER		
18-2	LU7039001	1	SUPPORT FLAP		
18-3	087411016	1	TAPTITE CUP B M4X10		

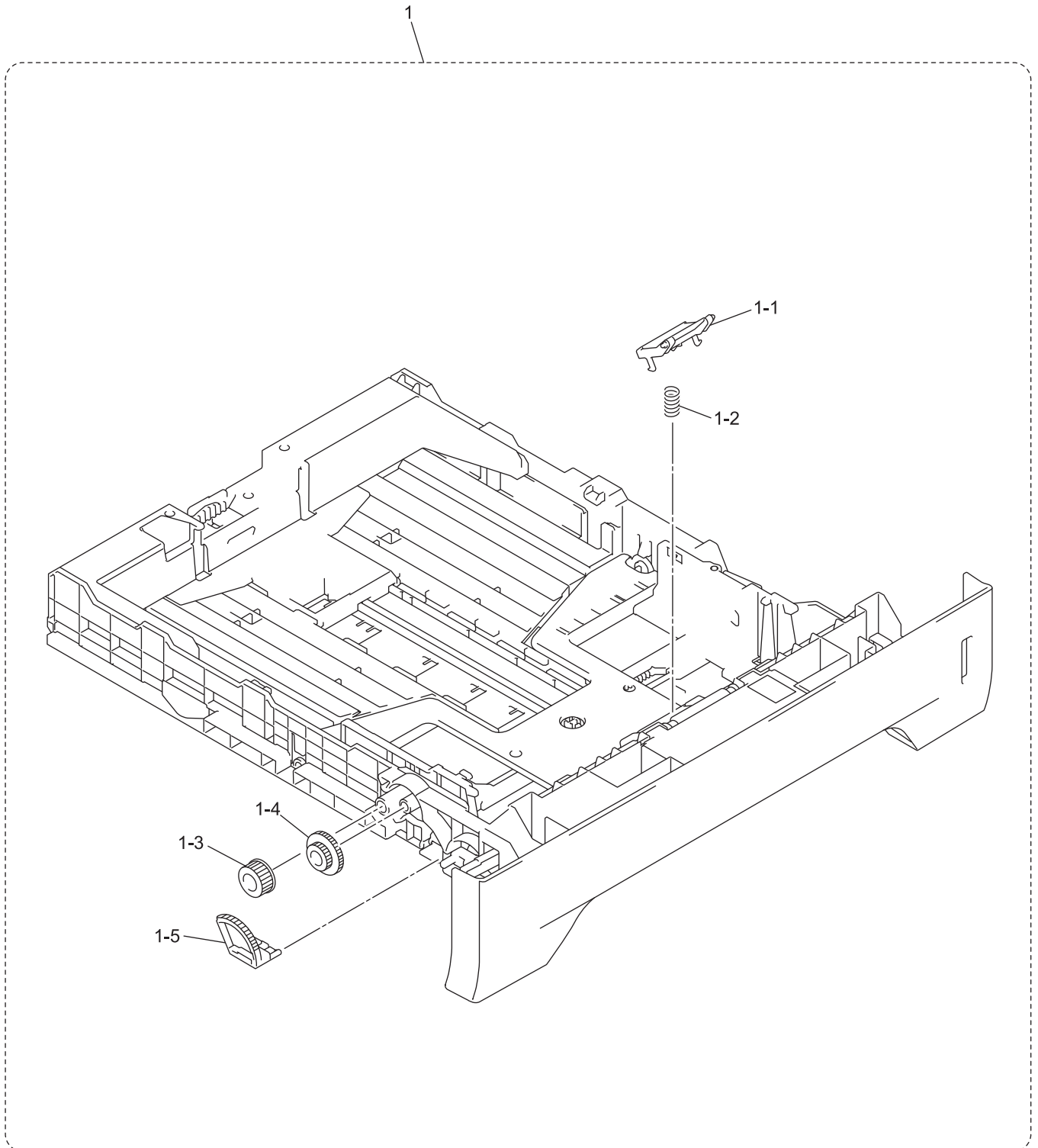
5. DUPLEX



LIST5(DUPLEX)

REF No.	CODE	Q'TY	DESCRIPTION	RECOMMEND	REMARKS
1	LM5209001	1	DUPLEX FEED ASSY LTR FOR PHL/BRA		
1	LU7503001	1	DUPLEX FEED ASSY A4 FOR GER/UK/FRA/BEL/NLD/CHE/ AUS/ITA/CHN/TUR/POL/ASA/GUL/KOR/IND/RUS/ARL/NZ/PND/IBR/CEE		

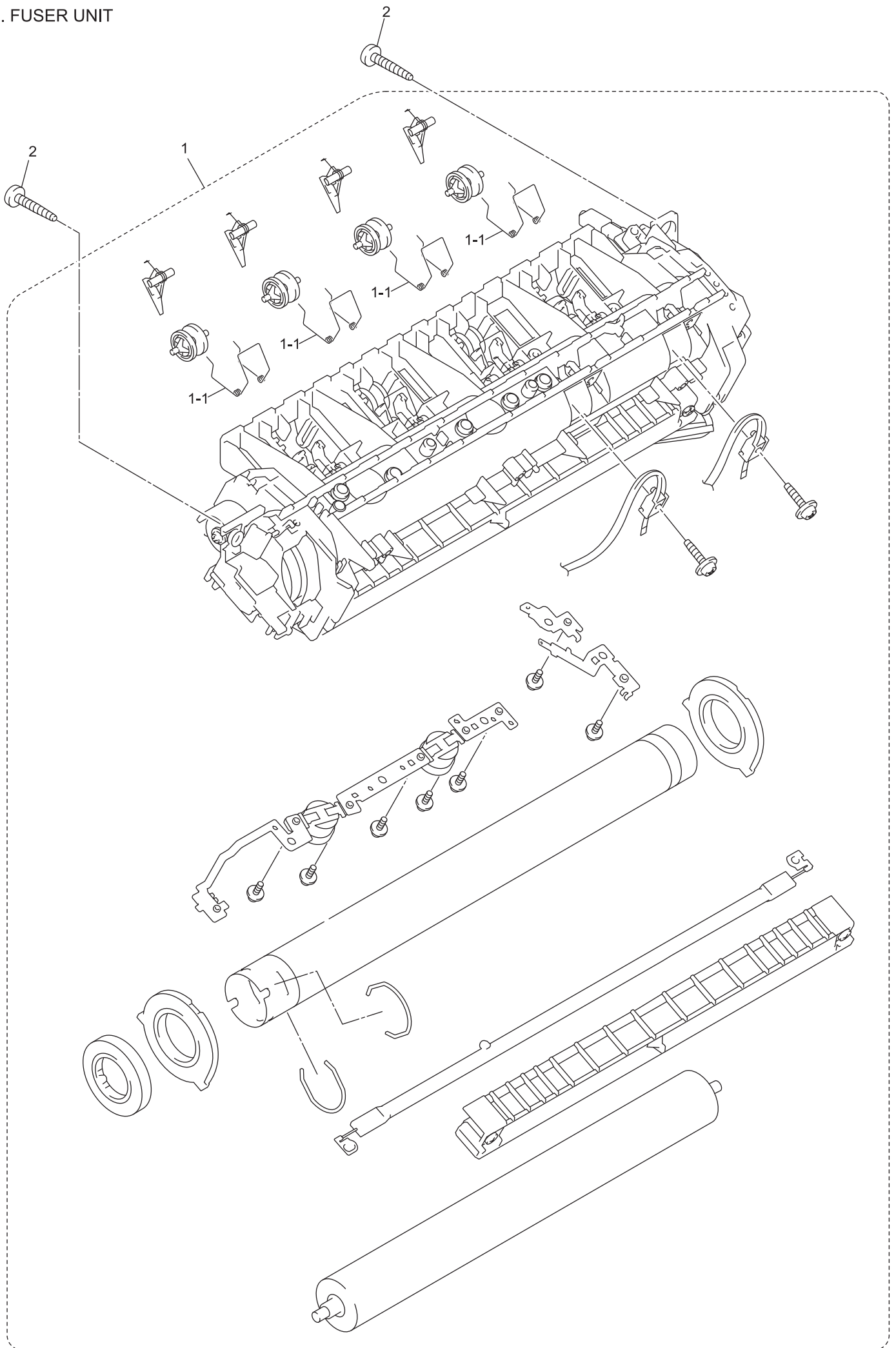
6. PAPER TRAY



LIST6(PAPER TRAY)

REF No.	CODE	Q'TY	DESCRIPTION	RECOMMEND	REMARKS
1	LU7198001	1	PAPER TRAY UNIT FOR PHL/BRA/IND		
1	LU7203001	1	PAPER TRAY UNIT FOR GER/UK/FRA/BEL/NLD/CHE/AUS/ITA/CHN/TUR/POL /ASA/GUL/KOR/RUS/ARL/NZ/PND/IBR/CEE		
1-1	LM5237001	1	SEPARATION PAD ASSY		
1-2	LM5239001	1	SEPARATION PAD SPRING		
1-3	LM5245001	1	GEAR 15		
1-4	LM5246001	1	GEAR 21-16		
1-5	LM5247001	1	LIFT GEAR 46		

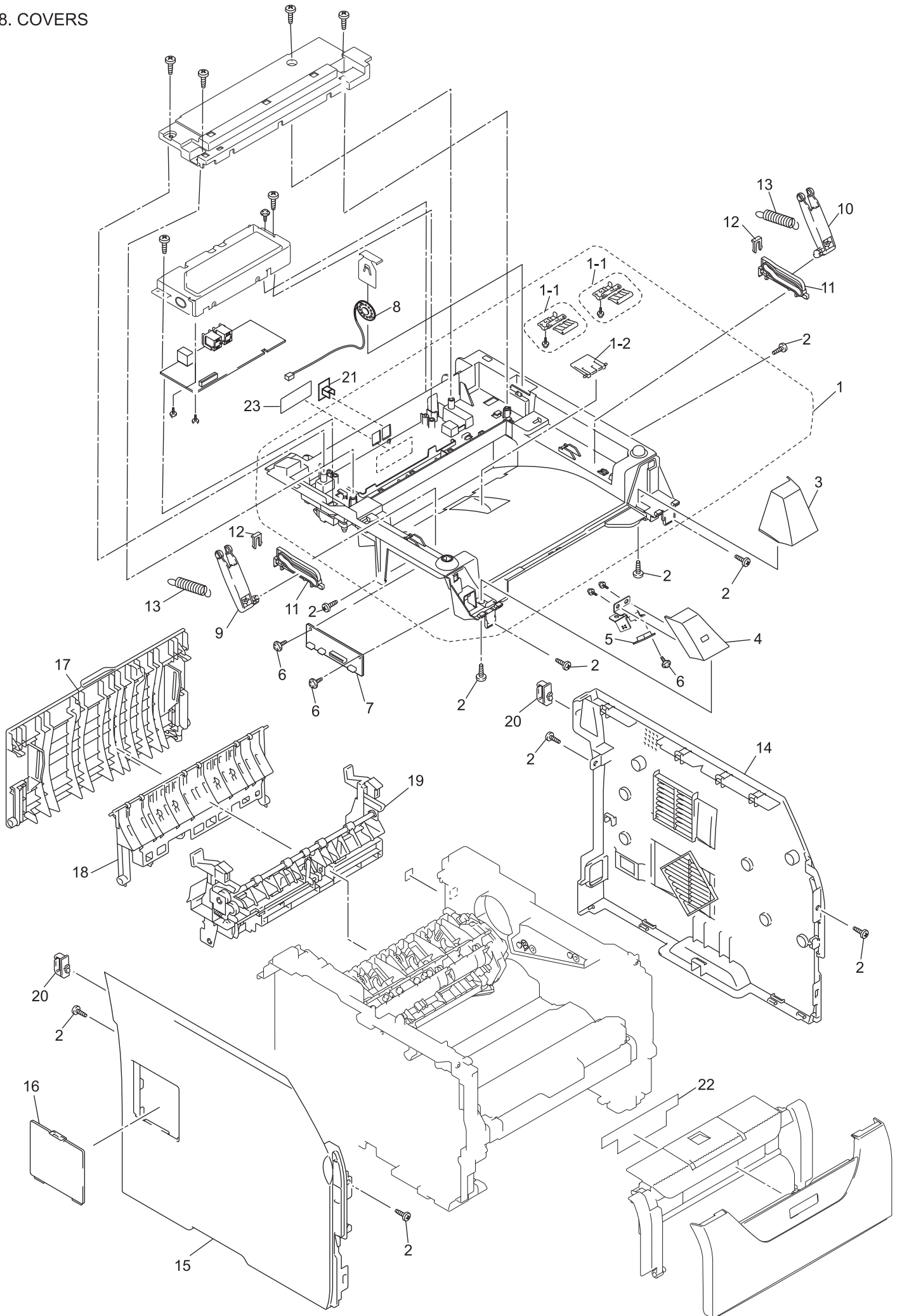
7. FUSER UNIT



LIST7(FUSER UNIT)

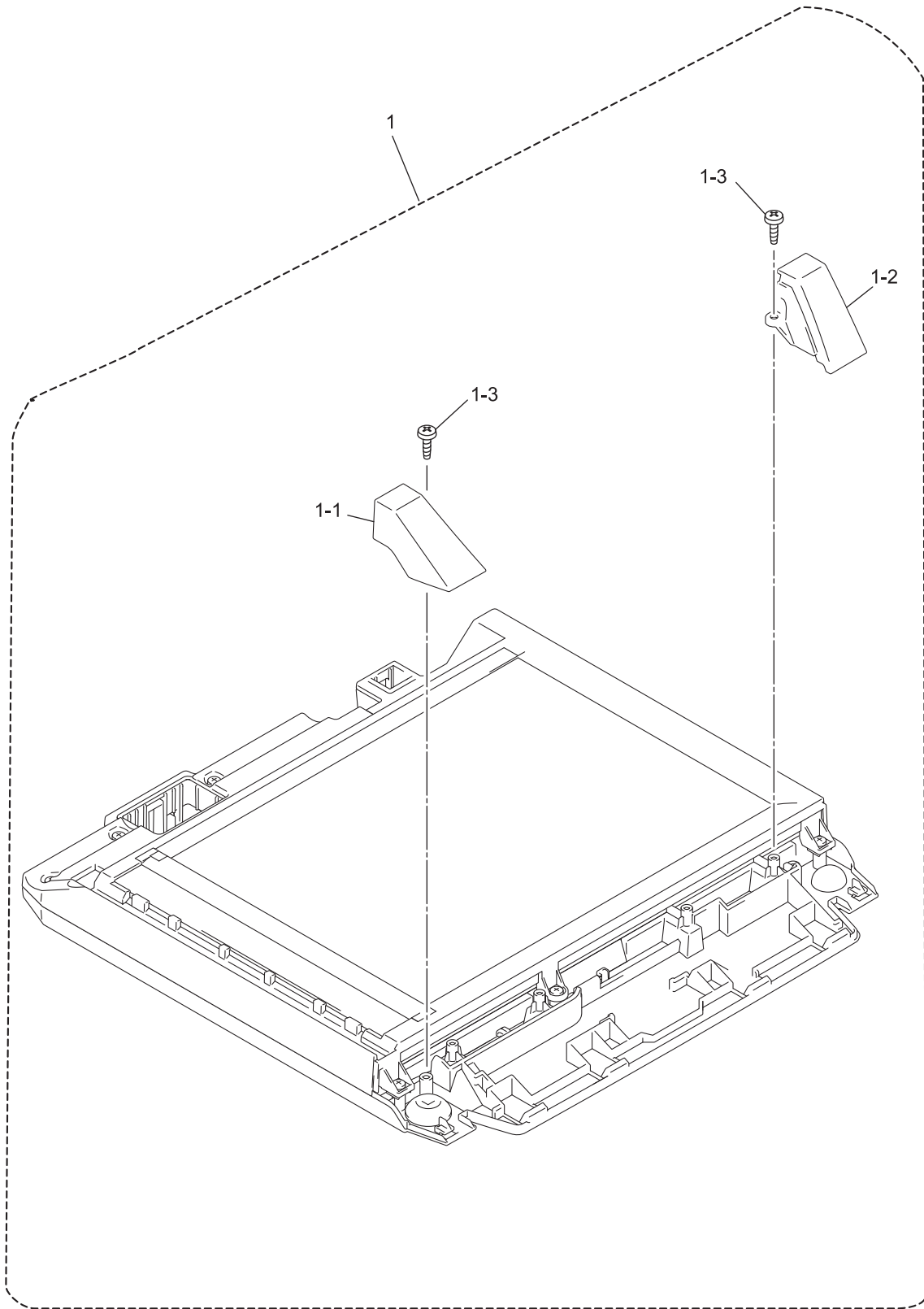
REF No.	CODE	Q'TY	DESCRIPTION	RECOMMEND	REMARKS
1	LU7939001	1	FUSER UNIT 115V (SP) FOR BRA	√	CHG
1	LU7941001	1	FUSER UNIT 230V (SP) FOR GER/UK/FRA/BEL/NLD/CHE/ AUS/ITA/CHN/PHL/TUR/POL /ASA/GUL/KOR/IND/RUS/ARL/NZ/PND/IBR/CEE	√	CHG
1-1	LU7078001	4	PRESSURE SPRING		
2	LU7164001	2	TAPTITE PAN B M4X20		

8. COVERS



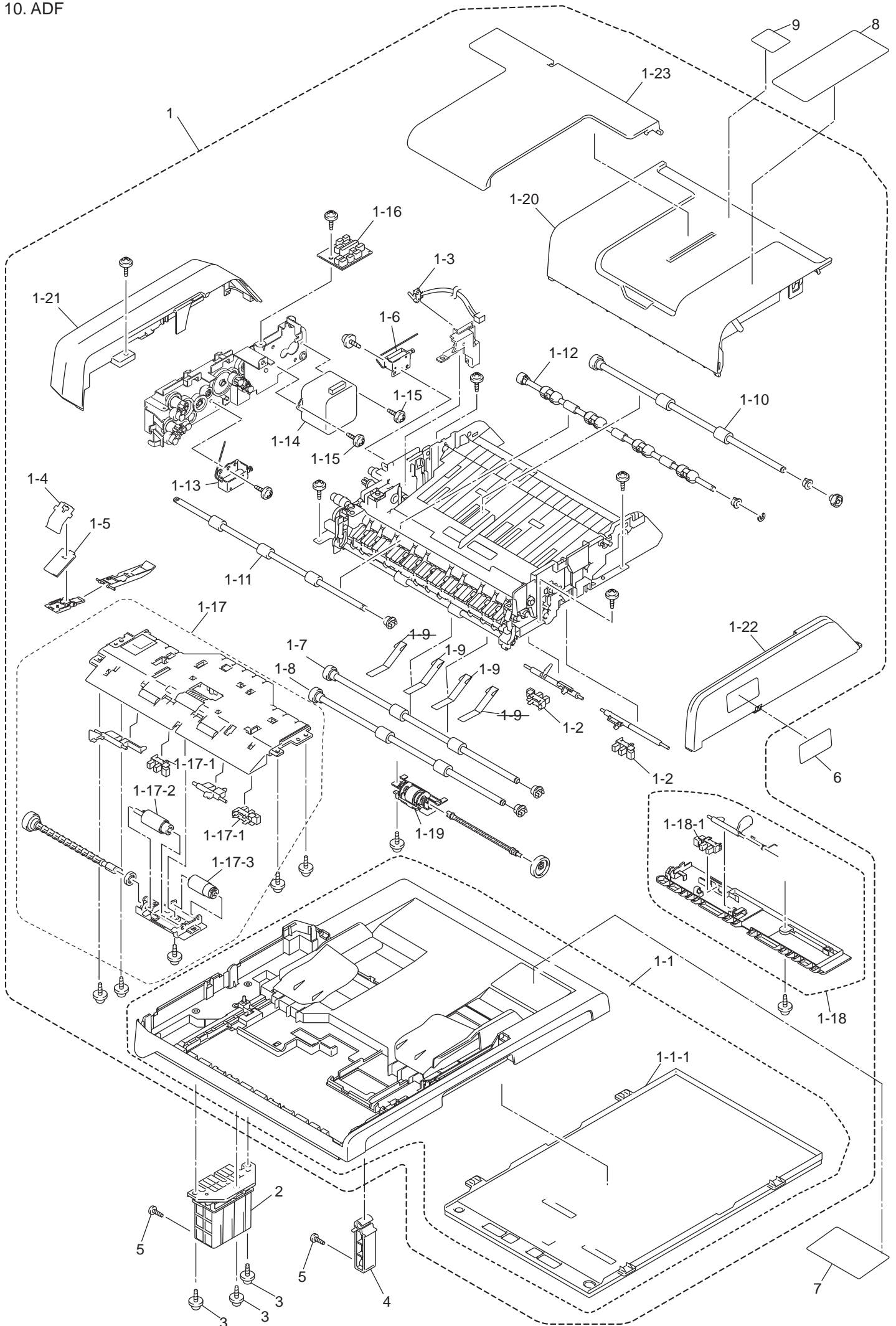
LIST8(COVERS)

REF No.	CODE	Q'TY	DESCRIPTION	RECOMMEND	SYMBOL	REMARKS
1	LS7409001	1	JOINT COVER ASSY, GRAY(1736), DCP8070D			
1	LS7012001	1	JOINT COVER ASSY, GRAY(1736), MFC8370DN/MFC8380DN			
1-1	LU7312001	2	PAPER STACK LEVER ASSY(SP)			
1-2	LU7118001	1	PAPER SUPPORTER			
2	085411216	10	TAPTITE BIND B M4X12			
3	LS7015001	1	JOINT COVER FR			
4	LS7017001	1	JOINT COVER FL			
5	LT0668001	1	USB HOST PCB ASSY		B57T003	
6	LM5867001	3	TAPTITE CUP S M3X6 SR			
7	LT0775001	1	DRIVER PCB ASSY		B57T002	
8	LT0778001	1	SPEAKER UNIT			
9	LP2727001	1	PULL ARM L			
10	LP2728001	1	PULL ARM R			
11	LS7023001	2	PULL ARM GUIDE			
12	LF6148001	2	LOCK CLAW			
13	LS7024001	2	PULL ARM SPRING			
14	LS7284001	1	SIDE COVER R, GRAY(1736), DCP8070D			
14	LS7026001	1	SIDE COVER R, GRAY(1736), MFC8370DN/MFC8380DN			
15	LS7285001	1	SIDE COVER L, GRAY(1736), DCP8070D			
15	LS7027001	1	SIDE COVER L, GRAY(1736), MFC8370DN/MFC8380DN			
16	LM5273001	1	ACCESS COVER, GRAY(1736)			
17	LS7028001	1	BACK COVER			
18	LU7047001	1	OUTER CHUTE ASSY			
19	LU7126001	1	REAR CHUTE ASSY			
20	LP2612003	2	CORD HOOK, MFC8370DN/MFC8380DN			
21	LE8842001	1	EXT CAP, MFC8370DN/MFC8380DN FOR CHE/CHN/PHL/TUR/POL/ASA/GUL/KOR/IND/RUS/ARL/NZ/PND/ IBR/CEE			
21	UF5745000	1	MJ COVER EXT, MFC8370DN/MFC8380DN FOR GER/UK/FRA/ BEL/NLD/AUS/ITA			
22	LU7341001	1	PROCESS UNIT OP LABEL FOR GER/UK/FRA/BEL/NLD/CHE/ AUS/ITA/POL/RUS/PND/IBR/CEE			
22	LS7919001	1	PROCESS UNIT OP LABEL FOR CHN			
22	LU7496001	1	PROCESS UNIT OP LABEL FOR PHL/TUR/ASA/GUL/KOR/IND/ARL/NZ			
22	LS7388001	1	PROCESS UNIT OP LABEL FOR BRA			
23	LU7303001	1	FUSER CAUTION LABEL			



List9(DOCUMENT SCANNER)

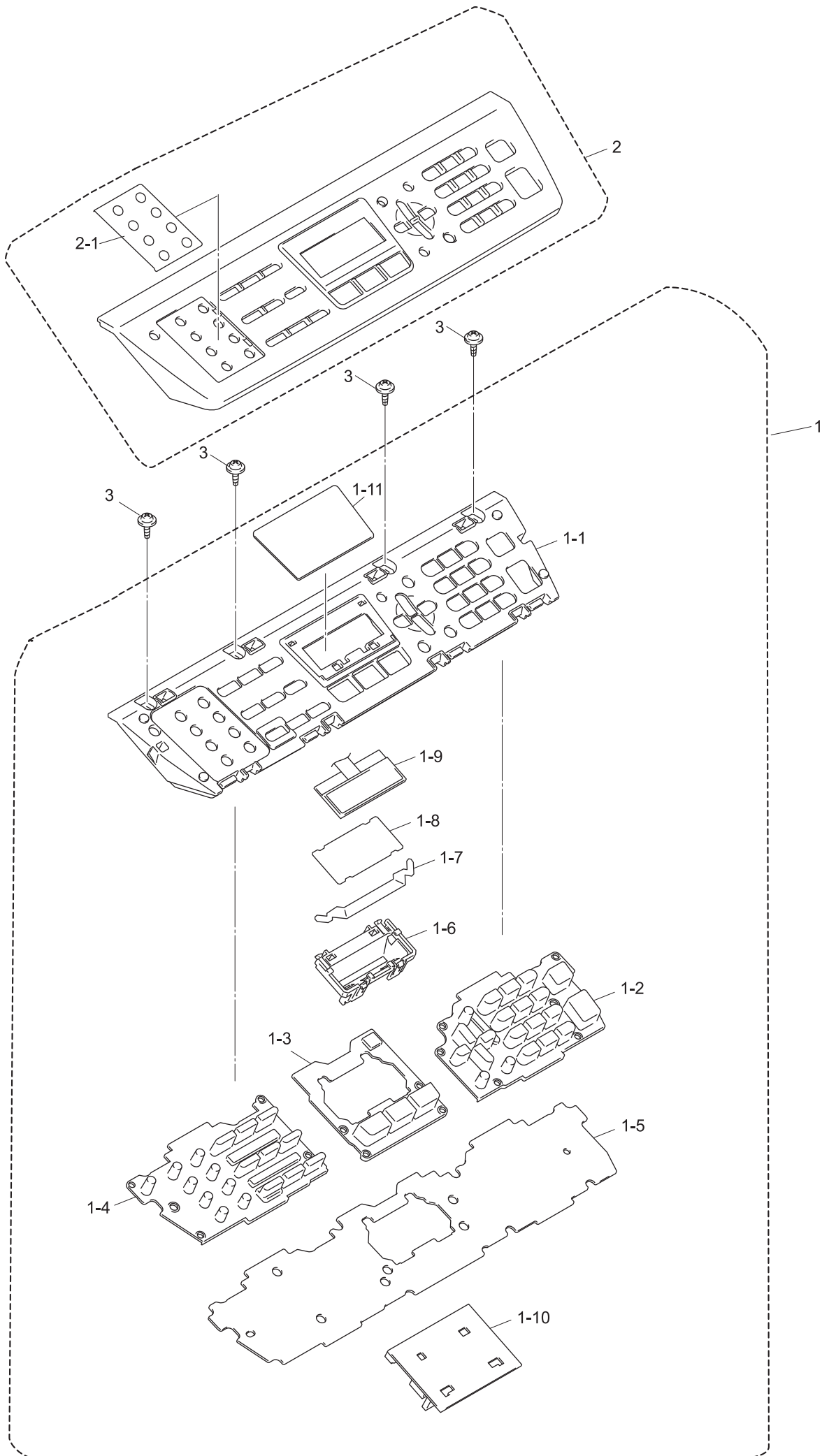
REF No.	CODE	Q'TY	DESCRIPTION	RECOMMEND	REMARKS
1	LS7703001	1	ALEFB CIS SUPPLY ASSY(SP)	√	CHG
1-1	LS7234001	1	SCANNER DRESS COVER L		
1-2	LS7235001	1	SCANNER DRESS COVER R		
1-3	085411216	2	TAPTITE BIND B M4X12		



LIST10(ADF)

REF No.	CODE	QTY	DESCRIPTION	RECOMMEND	SYMBOL	REMARKS
1	LX2442001	1	ADF UNIT SX (SP), DCP8070D/MFC8370DN	√		chg
1	LX2443001	1	ADF UNIT DX (SP), MFC8380DN	√		chg
1-1	LS7055001	1	DOCUMENT COVER SUB ASSY			
1-1-1	LS7637001	1	DOCUMENT SPONGE SUPPORT			
1-2	LG2239001	2	PHOTO INTERRUPTER			
1-3	LT0784001	1	ADF COVER OPEN SENSOR HARNESS ASSY			
1-4	LX2731001	1	SEPARATION SPRING ASSY (SP)			CHG
1-5	LX2233001	1	SEPARATION RUBBER			
1-6	LS7108001	1	EXIT SOLENOID ASSY			
1-7	LS7110001	1	LF ROLLER 1 ASSY			
1-8	LS7114001	1	LF ROLLER 2 ASSY			
1-9	LX2234001	2	LF2 FILM			
1-10	LS7116001	1	LF ROLLER 3 ASSY, MFC8380DN			
1-11	LS7119001	1	SWITCH BACK ROLLER ASSY, MFC8380DN			
1-12	LS7121001	1	EXIT ROLLER ASSY			
1-13	LS7151001	1	PF SOLENOID ASSY			
1-14	LS7155001	1	ADF MOTOR			
1-15	0A4300606	2	SCREW PAN (S/P WASHER) M3X6			
1-16	LT0785002	1	ADF RELAY PCB ASSY, DCP8070D/MFC8370DN		B57T009	
1-16	LT0785001	1	ADF RELAY PCB ASSY, MFC8380DN		B57T009	
1-17	LS7200001	1	LOWER DOCUMENT CHUTE ASSY SX, DCP8070D/MFC8370DN			
1-17	LS7159001	1	LOWER DOCUMENT CHUTE ASSY DX, MFC8380DN			
1-17-1	LG2239001	1	PHOTO INTERRUPTER			
1-17-1	LG2239001	1	PHOTO INTERRUPTER, MFC8380DN			
1-17-2	LS7167001	1	SEPARATION ROLLER			
1-17-3	LS7575001	1	SUCTION ROLLER			
1-18	LS7173001	1	EXIT TRAY SENSOR COVER ASSY			
1-18-1	LG2239001	1	PHOTO INTERRUPTER			
1-19	LS7759001	1	EXIT TRAY ROLLER HOLDER ASSY			
1-20	LS7180001	1	ADF COVER ASSY			
1-21	LS7187001	1	ADF GEAR COVER			
1-22	LS7188001	1	ADF FRONT COVER			
1-23	LS7178001	1	DOCUMENT EJECT TRAY			
4-24	LS7668004	4	ADF SET LABEL FOR GER/UK/CHE/AUS/PHL/ASA/GUL/IND/ARL/NZ			del
4-24	LS7749004	4	ADF SET LABEL FOR FRA/BEL/NLD			del
4-24	LS7750004	4	ADF SET LABEL FOR ITA/BRA/IBR			del
4-24	LX2024004	4	ADF SET LABEL FOR CHN			del
4-24	LS7755004	4	ADF SET LABEL FOR TUR			del
4-24	LS7756004	4	ADF SET LABEL FOR KOR			del
4-24	LS7752004	4	ADF SET LABEL FOR RUS			del
4-24	LS7751004	4	ADF SET LABEL FOR PND			del
4-24	LS7753004	4	ADF SET LABEL FOR POL/CEE			del
4-25	LS7671004	4	SETTING GUIDE LABEL FOR GER/UK/CHE/AUS/PHL/ASA/GUL/ IND/ARL/NZ			del
4-25	LS7740004	4	SETTING GUIDE LABEL FOR FRA/BEL/NLD			del
4-25	LS7741004	4	SETTING GUIDE LABEL FOR ITA/BRA/IBR			del
4-25	LX2025004	4	SETTING GUIDE LABEL FOR CHN			del
4-25	LS7746004	4	SETTING GUIDE LABEL FOR TUR			del
4-25	LS7747004	4	SETTING GUIDE LABEL FOR KOR			del
4-25	LS7743004	4	SETTING GUIDE LABEL FOR RUS			del
4-25	LS7742004	4	SETTING GUIDE LABEL FOR PND			del
4-25	LS7744004	4	SETTING GUIDE LABEL FOR POL/CEE			del
4-26	LS7669004	4	ADF CAUTION LABEL			del
2	LS7189001	1	HINGE ASSY L			
3	087321016	3	TAPTITE CUP S M3X10			
4	LS7497002	1	HINGE BASE R			
5	085411216	2	TAPTITE BIND B M4X12			
6	LS7032001	1	ADF EMBLEM			add
7	LS7668001	1	ADF SET LABEL FOR GER/UK/CHE/AUS/PHL/ASA/GUL/IND/ARL/NZ			add
7	LS7749001	1	ADF SET LABEL FOR FRA/BEL/NLD			add
7	LS7750001	1	ADF SET LABEL FOR ITA/BRA/IBR			add
7	LX2024001	1	ADF SET LABEL FOR CHN			add
7	LS7755001	1	ADF SET LABEL FOR TUR			add
7	LS7756001	1	ADF SET LABEL FOR KOR			add
7	LS7752001	1	ADF SET LABEL FOR RUS			add
7	LS7751001	1	ADF SET LABEL FOR PND			add
7	LS7753001	1	ADF SET LABEL FOR POL/CEE			add
8	LS7671001	1	SETTING GUIDE LABEL FOR GER/UK/CHE/AUS/PHL/ASA/GUL/ IND/ARL/NZ			add
8	LS7740001	1	SETTING GUIDE LABEL FOR FRA/BEL/NLD			add
8	LS7741001	1	SETTING GUIDE LABEL FOR ITA/BRA/IBR			add
8	LX2025001	1	SETTING GUIDE LABEL FOR CHN			add
8	LS7746001	1	SETTING GUIDE LABEL FOR TUR			add
8	LS7747001	1	SETTING GUIDE LABEL FOR KOR			add
8	LS7743001	1	SETTING GUIDE LABEL FOR RUS			add
8	LS7742001	1	SETTING GUIDE LABEL FOR PND			add
8	LS7744001	1	SETTING GUIDE LABEL FOR POL/CEE			add
9	LS7669001	1	ADF CAUTION LABEL			add

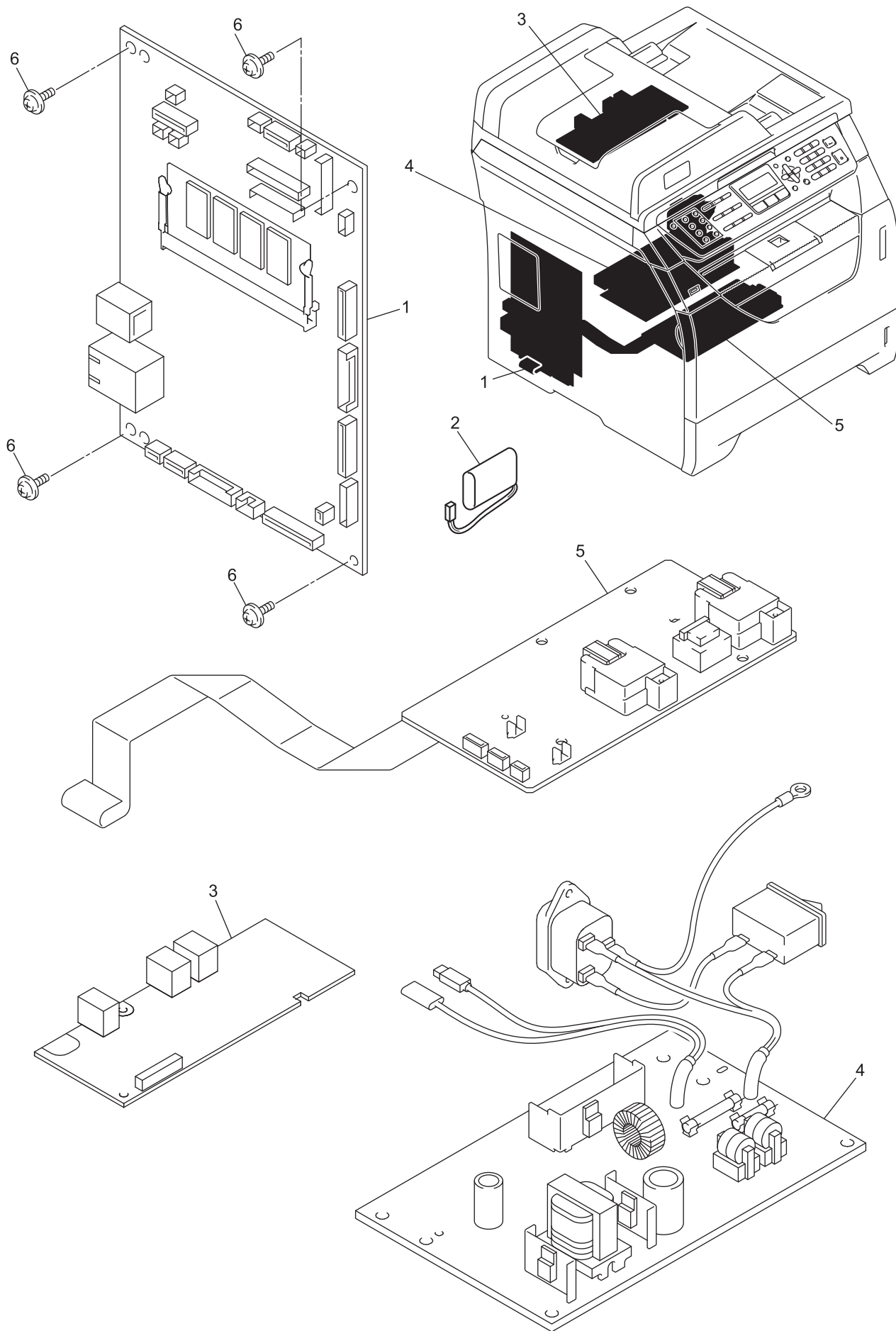
11. PANEL



LIST11(PANEL)

REF No.	CODE	QTY	DESCRIPTION	RECOMMEND	SYMBOL	REMARKS
1	LS7220001	1	PANEL UNIT, DCP8070D EXCEPT FOR CHN			
1	LX2325001	1	PANEL UNIT, DCP8070D FOR CHN			
1	LS7201001	1	PANEL UNIT, MFC8370DN/MFC8380DN EXCEPT FOR CHN			
1	LS7265001	1	PANEL UNIT, MFC8370DN FOR CHN			
1-1	LS7221001	1	PANEL COVER, DCP8070D			
1-1	LS7202001	1	PANEL COVER, MFC8370DN/MFC8380DN			
1-2	LX2034002	1	PRINTED RUBBER KEY R, DCP8070D			
1-2	LX2034001	1	PRINTED RUBBER KEY R, MFC8370DN/MFC8380DN			
1-3	LX2037001	1	PRINTED RUBBER KEY C, DCP8070D			
1-3	LX2035001	1	PRINTED RUBBER KEY C, MFC8370DN/MFC8380DN			
1-4	LS7829001	1	RUBBER KEY L, DCP8070D			
1-4	LX2036001	1	PRINTED RUBBER KEY L, MFC8370DN/MFC8380DN			
1-5	LT0796002	1	PANEL PCB ASSY, DCP8070D		B57T006	
1-5	LT0796001	1	PANEL PCB ASSY, MFC8370DN/MFC8380DN		B57T006	
1-6	LS7209001	1	LCD HOLDER EXCEPT FOR CHN			
1-6	LS7266001	1	LCD HOLDER FOR CHN			
1-7	LS7395001	1	BACK LIGHT FILM			
1-8	LS7210001	1	DIFFUSION FILM			CHG
1-9	A62009001	1	LCD EXCEPT FOR CHN			
1-9	A62036001	1	LCD FOR CHN			
1-10	LT0826001	1	BACK LIGHT PCB ASSY EXCEPT FOR CHN		B57T007	
1-10	LT0797001	1	BACK LIGHT PCB ASSY FOR CHN			
1-11	LS7211001	1	PANEL INSULATION SHEET			
2	LX2098001	1	PANEL COVER ASSY, DCP8070D FOR GER/CHE (GERMAN)			
2	LS7770001	1	PANEL COVER ASSY, MFC8370DN FOR GER/CHE/AUS (GERMAN)			
2	LS7853001	1	PANEL COVER ASSY, MFC8380DN FOR GER/CHE/AUS (GERMAN)			
2	LX2123001	1	PANEL COVER ASSY, DCP8070D FOR UK/FRA/BEL/NLD/PHL/ASA/ GUL/IND/PND/CEE (ENGLISH)			
2	LS7806001	1	PANEL COVER ASSY, MFC8370DN FOR UK/FRA/BEL/NLD/GUL/CEE (ENGLISH)			
2	LS7859001	1	PANEL COVER ASSY, MFC8380DN FOR UK/FRA/BEL/NLD/GUL/CEE (ENGLISH)			
2	LX2103001	1	PANEL COVER ASSY, DCP8070D FOR FRA/BEL/NLD/CHE (FRENCH)			
2	LS7771001	1	PANEL COVER ASSY, MFC8370DN FOR FRA/BEL/NLD/CHE (FRENCH)			
2	LS7855001	1	PANEL COVER ASSY, MFC8380DN FOR FRA/BEL/NLD/CHE (FRENCH)			
2	LX2124001	1	PANEL COVER ASSY, DCP8070D FOR FRA/BEL/NLD (DUTCH)			
2	LS7807001	1	PANEL COVER ASSY, MFC8370DN FOR FRA/BEL/NLD (DUTCH)			
2	LS7860001	1	PANEL COVER ASSY, MFC8380DN FOR FRA/BEL/NLD (DUTCH)			
2	LX2105001	1	PANEL COVER ASSY, DCP8070D FOR ITA			
2	LS7725001	1	PANEL COVER ASSY, MFC8370DN FOR ITA			
2	LS7857001	1	PANEL COVER ASSY, MFC8380DN FOR ITA			
2	LS7596001	1	PANEL COVER ASSY, DCP8070D FOR CHN			
2	LX2029001	1	PANEL COVER ASSY, MFC8370DN FOR CHN			
2	LS7280001	1	PANEL COVER ASSY, MFC8370DN FOR PHL/ASA/IND/ARL/NZ			
2	LX2005001	1	PANEL COVER ASSY, MFC8380DN FOR PHL/ASA/ARL/NZ			
2	LS7595001	1	PANEL COVER ASSY, DCP8070D FOR TUR			
2	LX2135001	1	PANEL COVER ASSY, MFC8370DN FOR TUR			
2	LX2158001	1	PANEL COVER ASSY, MFC8380DN FOR TUR			
2	LX2137001	1	PANEL COVER ASSY, MFC8370DN FOR POL			
2	LX2159001	1	PANEL COVER ASSY, MFC8380DN FOR POL			
2	LX2112001	1	PANEL COVER ASSY, DCP8070D FOR BRA			
2	LX2139001	1	PANEL COVER ASSY, MFC8370DN FOR KOR			
2	LX2113001	1	PANEL COVER ASSY, DCP8070D FOR RUS			
2	LX2154001	1	PANEL COVER ASSY, MFC8370DN FOR RUS			
2	LX2168001	1	PANEL COVER ASSY, MFC8380DN FOR RUS			
2	LS7726001	1	PANEL COVER ASSY, MFC8370DN FOR PND			
2	LS7862001	1	PANEL COVER ASSY, MFC8380DN FOR PND			
2	LX2125001	1	PANEL COVER ASSY, DCP8070D FOR IBR (SPANISH)			
2	LS7813001	1	PANEL COVER ASSY, MFC8370DN FOR IBR (SPANISH)			
2	LS7863001	1	PANEL COVER ASSY, MFC8380DN FOR IBR (SPANISH)			
2	LX2268001	1	PANEL COVER ASSY, DCP8070D FOR IBR (PORTUGUESE)			
2	LS7815001	1	PANEL COVER ASSY, MFC8370DN FOR IBR (PORTUGUESE)			
2	LS7865001	1	PANEL COVER ASSY, MFC8380DN FOR IBR (PORTUGUESE)			
2	LX2126001	1	PANEL COVER ASSY, DCP8070D FOR CEE (POLISH)			
2-1	LS7217001	1	ADDRESS LABEL, MFC8370DN/MFC8380DN			
3	087311216	4	TAPTITE CUP B M3X12			

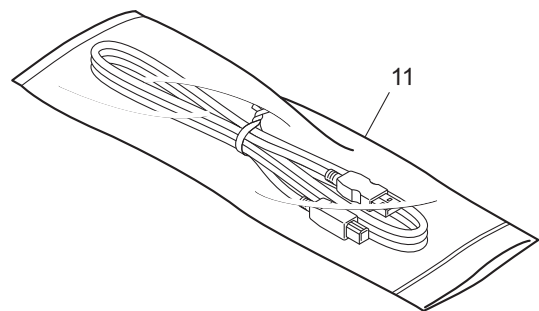
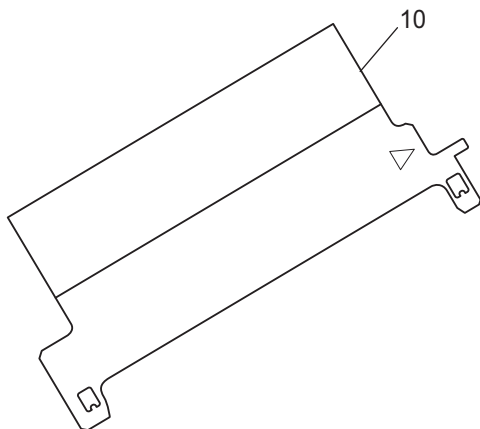
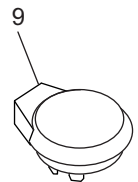
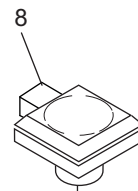
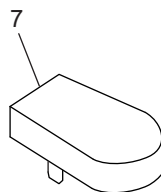
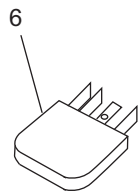
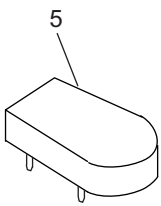
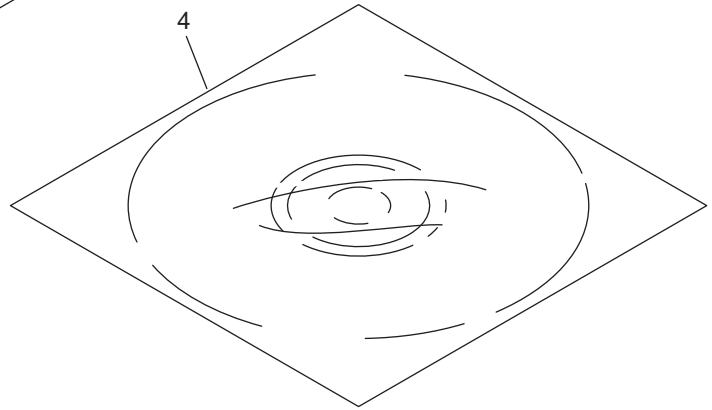
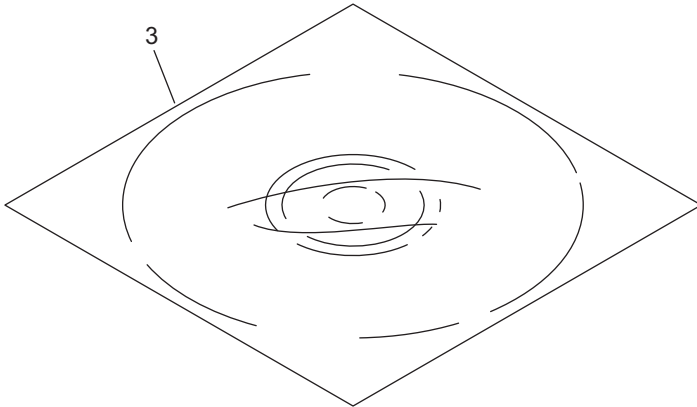
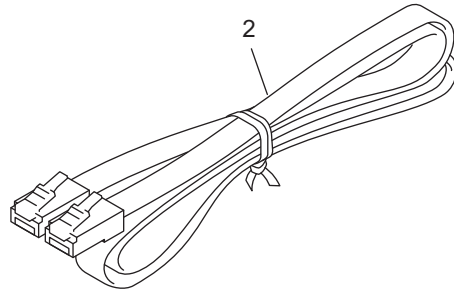
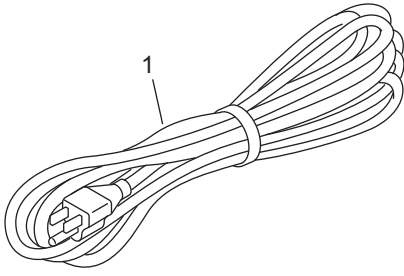
12. PCB



LIST12(PCB)

REF No.	CODE	Q'TY	DESCRIPTION	RECOMMEND	SYMBOL	REMARKS
1	LT0758001	1	MAIN PCB ASSY, DCP8070D EXCEPT FOR CHN	√	B53K992	
1	LT0758020	1	MAIN PCB ASSY, DCP8070D FOR CHN	√	B53K992	
1	LT0757004	1	MAIN PCB ASSY, MFC8370DN FOR GER/UK/FRA/BEL/NLD/ CHE/AUS /ITA/PHL/TUR/POL/ASA/GUL/KOR/IND/RUS/ARL/NZ/PND/ IBR/CEE	√	B53K992	
1	LT0757020	1	MAIN PCB ASSY, MFC8370DN FOR CHN	√	B53K992	
1	LT0756004	1	MAIN PCB ASSY, MFC8380DN FOR GER/UK/FRA/BEL/NLD/ CHE/AUS/ITA/PHL/TUR/POL/ASA/GUL/RUS/ARL/NZ/PND/IBR/CEE	√	B53K992	
2	LG5921001	1	BATTERY			
3	LG5923054	1	NCU PCB ASSY, MFC8370DN/MFC8380DN FOR GER/AUS/POL/ CEE	√	B53K786	
3	LG5923065	1	NCU PCB ASSY, MFC8370DN/MFC8380DN FOR UK/FRA/BEL/ NLD/ITA/TUR/RUS/PND/IBR	√	B53K786	
3	LG5923056	1	NCU PCB ASSY, MFC8370DN/MFC8380DN FOR CHE	√	B53K786	
3	LG6190005	1	NCU PCB ASSY, MFC8370DN/MFC8380DN FOR CHN/PHL/ASA/IND	√	B53K786	
3	LG6872003	1	NCU PCB ASSY, MFC8370DN/MFC8380DN FOR GUL	√	B53K786	
3	LG6190009	1	NCU PCB ASSY, MFC8370DN FOR KOR	√	B53K786	
3	LG6198003	1	NCU PCB ASSY, MFC8370DN/MFC8380DN FOR ARL/NZ	√	B53K786	
4	LV0328001	1	LVPS PCB UNIT FOR GER/UK/FRA/BEL/NLD/CHE/AUS/ITA/ PHL/TUR/POL/ASA/GUL/ARL/NZ/PND/IBR/CEE			
4	LV0292001	1	LVPS PCB UNIT FOR BRA			
4	LU7519001	1	LVPS PCB UNIT FOR CHN/IND/RUS			
4	LV0437001	1	LVPS PCB UNIT FOR KOR			
5	LJ9978001	1	HIGH-VOLTAGE PS PCB ASSY			
6	LM5867001	4	TAPTITE CUP S M3X6 SR			

13. ACCESSORIES



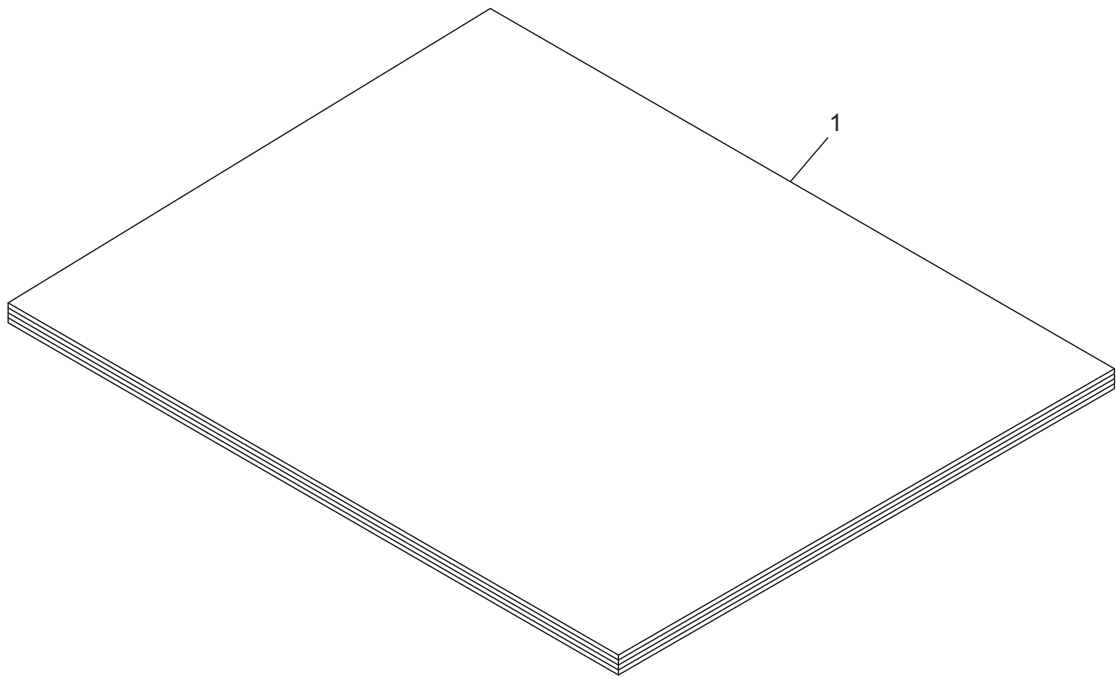
LIST13(Accessories)

REF No.	CODE	QTY	DESCRIPTION	RECOMMEND	REMARKS
1	LV0364001	1	AC CORD BAG ASSY LF VDE S FOR GER/FRA/BEL/NLD/AUS/ITA/PHL/TUR/POL/ASA/GUL/RUS/PND/IBR/CEE		chg
1	LV0368001	1	AC CORD BAG ASSY LF BS/PSB S FOR UK/ASA/GUL		CHG
1	LG4718001	1	AC CORD BAG ASSY LF SEV FOR CHE		
1	LV0362001	1	AC CORD BAG ASSY LF CHN S FOR CHN		CHG
1	LG6404001	1	AC CORD BAG ASSY LF SAF FOR GUL		
1	LT0914001	1	AC CORD BAG ASSY LF BRZ N FOR BRA		
1	LT0935001	1	AC CORD BAG ASSY LF FOR KOR		
1	LT0613001	1	AC CORD BAG ASSY LF FOR IND		
1	LV0366001	1	AC CORD BAG ASSY LF SAA S FOR ARL/NZ		CHG
1	LG4720001	1	AC CORD BAG ASSY LF DEMKO FOR PND		
2	LG3077001	1	TELEPHONE LINE CORD, MFC8370DN/MFC8380DN FOR UK/FRA/BEL/NLD/CHN/PHL/TUR/POL/ASA/GUL/KOR/IND/RUS/ARL/NZ/IBR/CEE		
2	UG3625001	1	TELEPHONE LINE CORD, MFC8370DN/MFC8380DN FOR GER		
2	LG7179001	1	TELEPHONE LINE CORD, MFC8370DN/MFC8380DN FOR UK		
2	UG3627001	1	TELEPHONE LINE CORD, MFC8370DN/MFC8380DN FOR FRA		
2	UG1575001	1	TELEPHONE LINE CORD, MFC8370DN/MFC8380DN FOR BEL		
2	LG7202001	1	TELEPHONE LINE CORD, MFC8370DN/MFC8380DN FOR CHE		
2	UG4205001	1	TELEPHONE LINE CORD, MFC8370DN/MFC8380DN FOR AUS		
2	UG3634001	1	TELEPHONE LINE CORD, MFC8370DN/MFC8380DN FOR ITA		
2	UG3290001	1	TELEPHONE LINE CORD, MFC8370DN/MFC8380DN FOR NZ		
2	LG5827001	1	TELEPHONE LINE CORD, MFC8370DN/MFC8380DN FOR PND		
3	LX2315001	1	CD-ROM ASSY, DCP8070D FOR GER/UK/CHE/PHL/ASA/GUL/IND (Windows/Macintosh)		chg
3	LS7365001	1	CD-ROM ASSY, MFC8370DN FOR GER/UK/CHE/AUS/PHL/ASA/GUL/KOR/IND/ARL/NZ (Windows)		
3	LS7358001	1	CD-ROM ASSY, MFC8380DN FOR GER/UK/CHE/AUS/PHL/ASA/GUL/ARL/NZ (Windows)		
3	LX2317001	1	CD-ROM ASSY, DCP8070D FOR FRA/BEL/NLD (Windows/Macintosh)		chg
3	LS7367001	1	CD-ROM ASSY, MFC8370DN FOR FRA/BEL/NLD (Windows)		
3	LS7360001	1	CD-ROM ASSY, MFC8380DN FOR FRA/BEL/NLD (Windows)		
3	LX2316001	1	CD-ROM ASSY, DCP8070D FOR ITA/IBR (Windows/Macintosh)		chg
3	LS7366001	1	CD-ROM ASSY, MFC8370DN FOR ITA/IBR (Windows)		
3	LS7359001	1	CD-ROM ASSY, MFC8380DN FOR ITA/IBR (Windows)		
3	LX2322001	1	CD-ROM ASSY, DCP8070D FOR CHN (Windows/Macintosh)		chg
2	LS7383001	1	CD-ROM ASSY, MFC8370DN FOR CHN (Windows)		
3	LX2321001	1	CD-ROM ASSY, DCP8070D FOR TUR/RUS (Windows/Macintosh)		chg
3	LS7371001	1	CD-ROM ASSY, MFC8370DN FOR TUR/RUS (Windows)		
3	LS7364001	1	CD-ROM ASSY, MFC8380DN FOR TUR/RUS (Windows)		
3	LS7369001	1	CD-ROM ASSY, MFC8370DN FOR POL/CEE (Windows)		
3	LS7362001	1	CD-ROM ASSY, MFC8380DN FOR POL/CEE (Windows)		
3	LX2314001	1	CD-ROM ASSY, DCP8070D FOR BRA (Windows/Macintosh)		chg
3	LX2318001	1	CD-ROM ASSY, DCP8070D FOR PND (Windows/Macintosh)		chg
3	LS7368001	1	CD-ROM ASSY, MFC8370DN FOR PND (Windows)		
3	LS7361001	1	CD-ROM ASSY, MFC8380DN FOR PND (Windows)		
3	LX2319001	1	CD-ROM ASSY, DCP8070D FOR CEE (Windows/Macintosh)		chg
3	LS7377001	1	CD-ROM ASSY, DCP8070D FOR CEE (Windows)		
3	LS7370001	1	CD-ROM ASSY, MFC8370DN FOR CEE (Windows)		
3	LS7363001	1	CD-ROM ASSY, MFC8380DN FOR CEE (Windows)		
3	LS7513001	4	CD-ROM ASSY, DCP8070D FOR GER/UK/CHE/ITA/PHL/ASA/GUL/PND (Macintosh)		del
3	LS7988001	1	CD-ROM ASSY, MFC8370DN/MFC8380DN FOR GER/UK/FRA/BEL/NLD/CHE/AUS/ITA/PHL/ASA/GUL/ARL/NZ/PND/IBR (Macintosh)		
3	LS7956001	1	CD-ROM ASSY, DCP8070D /MFC8370DN FOR CHN (Macintosh)		
3	LS7514001	4	CD-ROM ASSY, DCP8070D FOR FRA/BEL/NLD/TUR/IND/RUS/IBR/CEE (Macintosh)		del
3	LX2134001	1	CD-ROM ASSY, MFC8370DN/MFC8380DN FOR TUR/POL/KOR/IND/RUS/CEE (Macintosh)		
3	LS7422001	4	CD-ROM ASSY, DCP8070D FOR BRA (Macintosh)		del
4	LX2236001	1	CD-ROM ASSY, DCP8070D/MFC8370DN/MFC8380DN FOR GER/UK/CHE/AUS/PHL/ASA/GUL/KOR/IND/ARL/NZ (Windows7)		
4	LX2238001	1	CD-ROM ASSY, DCP8070D/MFC8370DN/MFC8380DN FOR FRA/BEL/NLD (Windows7)		
4	LX2243001	1	CD-ROM ASSY, DCP8070D FOR CHN (Windows7)		
4	LX2243001	1	CD-ROM ASSY, MFC8370DN FOR CHN (Windows7)		
4	LX2237001	1	CD-ROM ASSY, DCP8070D/MFC8370DN/MFC8380DN FOR ITA/IBR (Windows7)		
4	LX2242001	1	CD-ROM ASSY, DCP8070D/MFC8370DN/MFC8380DN FOR TUR/RUS (Windows7)		
4	LX2235001	1	CD-ROM ASSY, DCP8070D FOR BRA (Windows7)		
4	LX2239001	1	CD-ROM ASSY, DCP8070D/MFC8370DN/MFC8380DN FOR PND (Windows7)		
4	LX2240001	1	CD-ROM ASSY, DCP8070D/MFC8370DN/MFC8380DN FOR POL/CEE (Windows7)		
			[CZECH/HUNGARIAN/POLISH/ENGLISH]		

LIST13(Accessories)

REF No.	CODE	Q'TY	DESCRIPTION	RECOMMEND	REMARKS
4	LX2241001	1	CD-ROM ASSY, DCP8070D/MFC8370DN/MFC8380DN FOR CEE (Windows7) [BULGARIAN/ROMANIAN/SLOVAK/GERMAN]		
5	LG3622001	1	TELEPHONE PLUG, MFC8370DN/MFC8380DN FOR NLD		
6	LG6573001	1	TELEPHONE PLUG ARL, MFC8370DN/MFC8380DN FOR ARL		
7	LG5828001	1	TELEPHONE PLUG DEN, MFC8370DN/MFC8380DN FOR PND		
8	LG5829001	1	TELEPHONE PLUG FIN, MFC8370DN/MFC8380DN FOR PND		
9	LG5830001	1	TELEPHONE PLUG SWE, MFC8370DN/MFC8380DN FOR PND		
10	LU7653001	1	DRUM CLEANING SHEET KIT		
11	LJ9803001	1	USB CABLE 2.0		

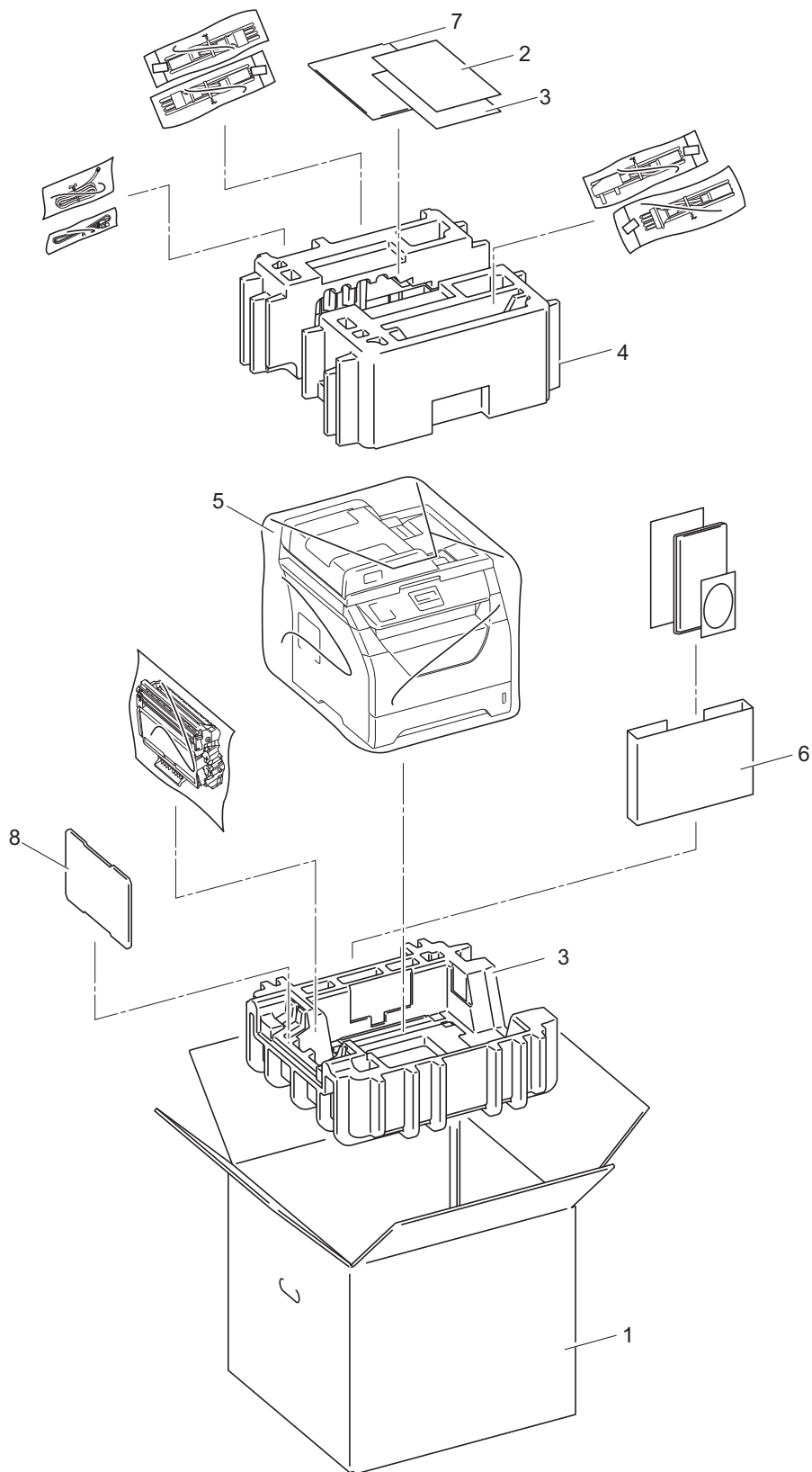
14. PRINTED MATERIALS



LIST14(PRINTED MATERIALS)

REF No.	CODE	Q'TY	DESCRIPTION	RECOMMEND	REMARKS
1	LS7729003	1	USER'S GUIDE, MFC8370DN/MFC8380DN FOR GER/CHE/AUS		
1	LS7729004	1	USER'S GUIDE, MFC8370DN/MFC8380DN FOR UK		
1	LS7729005	1	USER'S GUIDE, MFC8370DN/MFC8380DN FOR FRA/BEL/NLD/CHE (FRENCH)		
1	LS7729009	1	USER'S GUIDE, MFC8370DN/MFC8380DN FOR FRA/BEL/NLD (DUTCH)		
1	LS7729016	1	USER'S GUIDE, MFC8370DN/MFC8380DN FOR ITA		
1	LX2267020	1	USER'S GUIDE, DCP8070D FOR CHN		
1	LX2033020	1	USER'S GUIDE, MFC8370DN FOR CHN		
1	LX2107056	1	USER'S GUIDE, DCP8070D FOR PHL/ASA/GUL/IND		
1	LS7729056	1	USER'S GUIDE, MFC8370DN/MFC8380DN FOR PHL/ASA/IND/ARL/NZ		
1	LX2107025	1	USER'S GUIDE, DCP8070D FOR TUR		
1	LS7729025	1	USER'S GUIDE, MFC8370DN/MFC8380DN FOR TUR		
1	LS7729041	1	USER'S GUIDE, MFC8370DN/MFC8380DN FOR GUL		
1	LX2107042	1	USER'S GUIDE, DCP8070D FOR BRA		
1	LS7729048	1	USER'S GUIDE, MFC8370DN/MFC8380DN FOR RUS		
1	LS7820007	1	USER'S GUIDE, MFC8370DN/MFC8380DN FOR PND (NORWEGIAN/SWEDISH)		
1	LS7820013	1	USER'S GUIDE, MFC8370DN/MFC8380DN FOR PND (DANISH/FINNISH)		
1	LS7729015	1	USER'S GUIDE, MFC8370DN/MFC8380DN FOR IBR (SPANISH)		
1	LS7729018	1	USER'S GUIDE, MFC8370DN/MFC8380DN FOR IBR (PORTUGUESE)		

15. PACKING MATERIALS



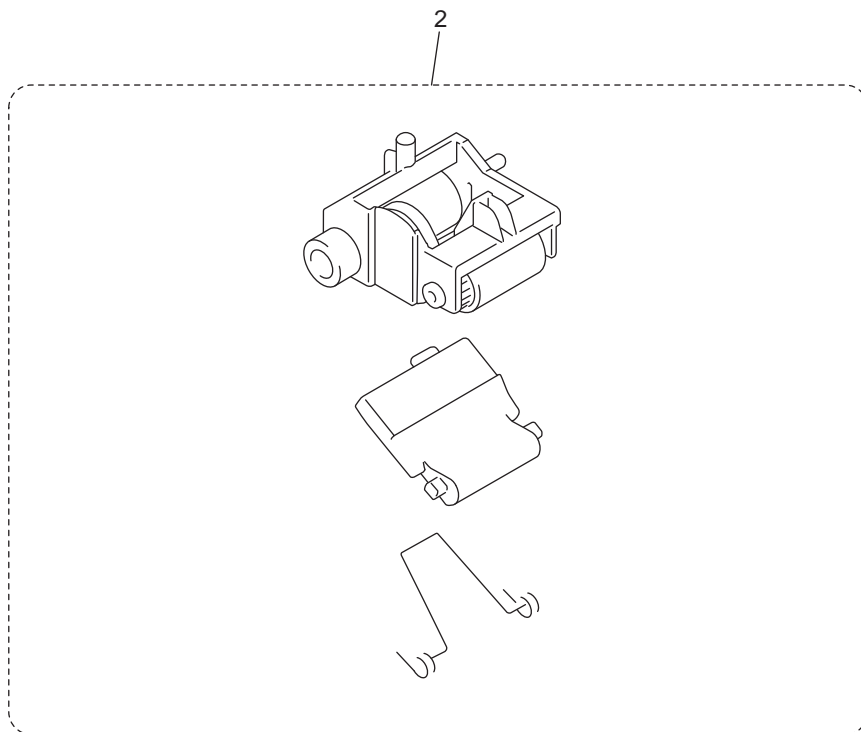
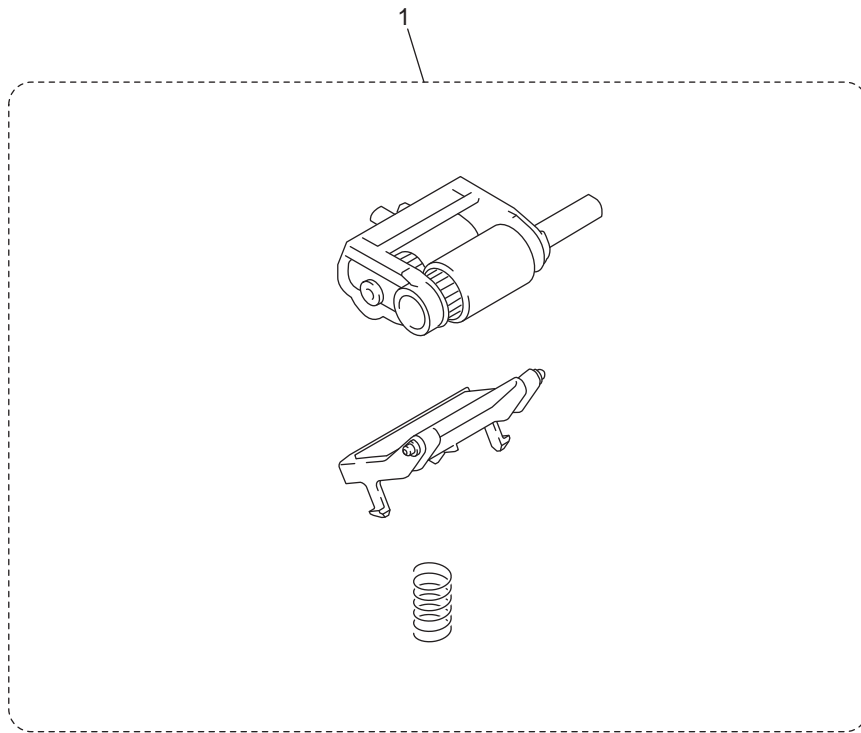
LIST15(PACKING MATERIALS)

REF No.	CODE	QTY	DESCRIPTION	RECOMMEND	REMARKS
1	LS7971001	1	CARTON, BROTHER, DCP8070D FOR GER/UK/FRA/BEL/NLD/CHE/ITA/RUS/PND/IBR/CEE	√	
1	LS7730001	1	CARTON, BROTHER, MFC8370DN FOR GER/UK/FRA/BEL/NLD/CHE/AUS/ITA/POL/RUS/PND/IBR/CEE	√	
1	LS7842001	1	CARTON, BROTHER, MFC8380DN FOR GER/UK/FRA/BEL/NLD/CHE/AUS/ITA/POL/RUS/PND/IBR/CEE	√	
1	LS7907001	1	CARTON, BROTHER, DCP8070D FOR CHN	√	
1	LS7908001	1	CARTON, BROTHER, MDC8370DN FOR CHN	√	
1	LS7874001	1	CARTON, BROTHER, DCP8070D FOR PHL/ASA/GUL	√	
1	LX2497001	1	CARTON, BROTHER, MFC8370DN FOR PHL/ASA/GUL	√	ADD
1	LX2500001	1	CARTON, BROTHER, MFC8380DN FOR PHL/ASA/GUL	√	ADD
1	LS7879001	1	CARTON, BROTHER, DCP8070D FOR TUR	√	
1	LS7891001	1	CARTON, BROTHER, MFC8370DN FOR TUR	√	
1	LS7899001	1	CARTON, BROTHER, MFC8380DN FOR TUR	√	
1	LS7876001	1	CARTON, BROTHER, DCP8070D FOR IND	√	
1	LX2115001	1	CARTON, BROTHER, DCP8070D FOR BRA	√	
1	LX2147001	1	CARTON, BROTHER, MFC8370DN FOR KOR	√	
1	LX2503001	1	CARTON, BROTHER, MFC8370DN FOR IND	√	CHG
1	LS7884001	1	CARTON, BROTHER, MFC8370DN FOR ARL/NZ	√	
1	LS7896001	1	CARTON, BROTHER, MFC8380DN FOR ARL/NZ	√	
2	LX2089003	1	QUICK SETUP GUIDE, DCP8070D FOR GER/CHE (GERMAN)		
2	LS7761003	1	QUICK SETUP GUIDE, MFC8370DN/MFC8380DN FOR GER/CHE/AUS (GERMAN)		
2	LX2089004	1	QUICK SETUP GUIDE, DCP8070D FOR UK		
2	LS7761004	1	QUICK SETUP GUIDE, MFC8370DN/MFC8380DN FOR UK		
2	LX2089005	1	QUICK SETUP GUIDE, DCP8070D FOR FRA/BEL/NLD/CHE (FRENCH)		
2	LX2089009	1	QUICK SETUP GUIDE, DCP8070D FOR FRA/BEL/NLD (DUTCH)		
2	LS7761005	1	QUICK SETUP GUIDE, MFC8370DN/MFC8380DN FOR FRA/BEL/NLD/CHE (FRENCH)		
2	LS7761009	1	QUICK SETUP GUIDE, MFC8370DN/MFC8380DN FOR FRA/BEL/NLD (DUTCH)		
2	LX2089016	1	QUICK SETUP GUIDE, DCP8070D FOR ITA		
2	LS7761016	1	QUICK SETUP GUIDE, MFC8370DN/MFC8380DN FOR ITA		
2	LX2063020	1	QUICK SETUP GUIDE, DCP8070D FOR CHN		
2	LX2042020	1	QUICK SETUP GUIDE, MFC8370DN FOR CHN		
2	LX2089056	1	QUICK SETUP GUIDE, DCP8070D FOR PHL/ASA/GUL/IND		
2	LS7761056	1	QUICK SETUP GUIDE, MFC8370DN/MFC8380DN FOR PHL/ASA/IND/ARL/NZ		
2	LX2089025	1	QUICK SETUP GUIDE, DCP8070D FOR TUR		
2	LS7761025	1	QUICK SETUP GUIDE, MFC8370DN/MFC8380DN FOR TUR		
2	LS7761039	1	QUICK SETUP GUIDE, MFC8370DN/MFC8380DN FOR POL		
2	LS7761041	1	QUICK SETUP GUIDE, MFC8370DN/MFC8380DN FOR GUL		
2	LX2089042	1	QUICK SETUP GUIDE, DCP8070D FOR BRA		
2	LX2089048	1	QUICK SETUP GUIDE, DCP8070D FOR RUS		
2	LS7761048	1	QUICK SETUP GUIDE, MFC8370DN/MFC8380DN FOR RUS		
2	LX2089007	1	QUICK SETUP GUIDE, DCP8070D FOR PND (NORWEGIAN)		
2	LS7761007	1	QUICK SETUP GUIDE, MFC8370DN/MFC8380DN FOR PND (NORWEGIAN)		
2	LX2089012	1	QUICK SETUP GUIDE, DCP8070D FOR PND (FINNISH)		
2	LS7761012	1	QUICK SETUP GUIDE, MFC8370DN/MFC8380DN FOR PND (FINNISH)		
2	LX2089013	1	QUICK SETUP GUIDE, DCP8070D FOR PND (DANISH)		
2	LS7761013	1	QUICK SETUP GUIDE, MFC8370DN/MFC8380DN FOR PND (DANISH)		
2	LX2089026	1	QUICK SETUP GUIDE, DCP8070D FOR PND (SWEDISH)		
2	LS7761026	1	QUICK SETUP GUIDE, MFC8370DN/MFC8380DN FOR PND (SWEDISH)		
2	LX2089015	1	QUICK SETUP GUIDE, DCP8070D FOR IBR (SPANISH)		
2	LS7761015	1	QUICK SETUP GUIDE, MFC8370DN/MFC8380DN FOR IBR (SPANISH)		
2	LX2089018	1	QUICK SETUP GUIDE, DCP8070D FOR IBR (PORTUGUESE)		
2	LS7761018	1	QUICK SETUP GUIDE, MFC8370DN/MFC8380DN FOR IBR (PORTUGUESE)		
2	LX2089037	1	QUICK SETUP GUIDE, DCP8070D FOR CEE [CZECH/HUNGARIAN/POLISH]		
2	LX2089059	1	QUICK SETUP GUIDE, DCP8070D FOR CEE [ENGLISH/BULGARIAN/ROMANIAN/SLOVAK]		
2	LS7761037	1	QUICK SETUP GUIDE, MFC8370DN/MFC8380DN FOR CEE [CZECH/HUNGARIAN/POLISH]		
2	LS7761059	1	QUICK SETUP GUIDE, MFC8370DN/MFC8380DN FOR CEE [ENGLISH/BULGARIAN/ROMANIAN/SLOVAK]		
3			NOT USED		
4	LS7229001	1	POLYSTYRENE PAD ASSY ALEFB		

LIST15(PACKING MATERIALS)

REF No.	CODE	Q'TY	DESCRIPTION	RECOMMEND	REMARKS
5	UE1688001	1	PE BAG 1000X1000H		
6	LS7660001	1	CARTON OPTION		
7	LS0033001	1	OPTION CARTON		
8	LX2367001	1	DRUM UNIT SPONGE ASSY EXCEPT FOR KOR		chg
8	LX2502001	1	DRUM UNIT SPONGE ASSY FOR KOR		ADD

16. OTHERS



LIST16(OTHERS)

REF No.	CODE	Q'TY	DESCRIPTION	RECOMMEND	REMARKS
1	LU7338001	1	ROLLER HOLDER SP ASSY		
2	LU7339001	1	MP ROLLER HOLDER SP ASSY		