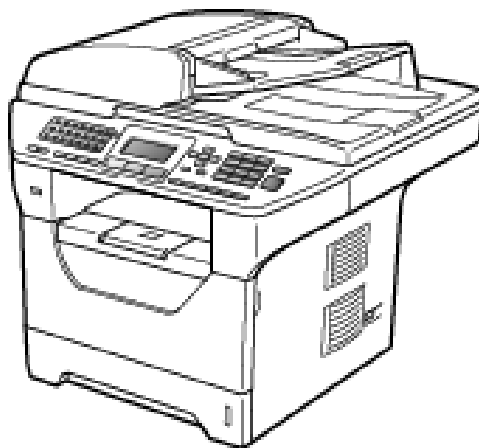




Laser FAX/MFC

PARTS REFERENCE LIST

MODEL:
DCP-8080DN / DCP-8085DN /
MFC-8480DN / MFC-8680DN /
MFC-8* - 0DK / MFC-888\$DN#
MFC-88, %DB<M#A: 7!, , - \$8 K



Read this list thoroughly before maintenance work.

Keep this list in a convenient place for quick and easy reference at all times.

January 2009

PL-FAX160

8C5D11

Ver. Y-1

NOTE FOR USING THIS PARTS REFERENCE LIST

1. In the case of ordering parts, it is necessary to mention the following items;

- (1) Code
- (2) Q'ty
- (3) Description
- (4) Symbol (PCB No. etc)

Note: Orders without Parts Code or Tool No. can not be accepted.

< Example >

REF.NO.	(1) CODE	(2) Q'TY	(3) DESCRIPTION	(4) SYMBOL	REMARK

2. Design-changed parts :

If any of the parts is changed, one of the following symbols is indicated in the REMARK column.

CHG(chg) : The parts is changed to a new parts.

ADD(add) : The parts is newly added.

DEL(del) : The parts is deleted.

Symbol in capital letters indicates the latest parts change information in the page.

3. Parts change will be informed by the Parts change information.

4. Parts are subject to change in design without prior notice.

COUNTRIES

ARGENTINA ----- ARG

ASIA ----- ASA

AUSTRALIA ----- ARL

AUSTRIA ----- AUS

BELGIUM ----- BEL

BRAZIL ----- BRA

CANADA ----- CAN

CHILE ----- CHL

CHINA ----- CHN

EEU-GENERAL ----- EEU

FRANCE ----- FRA

GERMANY ----- GER

GULF ----- GUL

IBERIA(SPAIN/PORTUGAL) ----- IBR

INDIA ----- IND

ITALY ----- ITA

KOREA ----- KOR

NETHERLANDS ----- NLD

NEW ZEALAND ----- NZ

PAN-NORDIC

(NORWAY/FINLAND/DENMARK/SWEDEN) ----- PND

PHILIPPINES ----- PHL

POLAND ----- POL

RUSSIA ----- RUS

SWITZERLAND ----- CHE

TURKEY ----- TUR

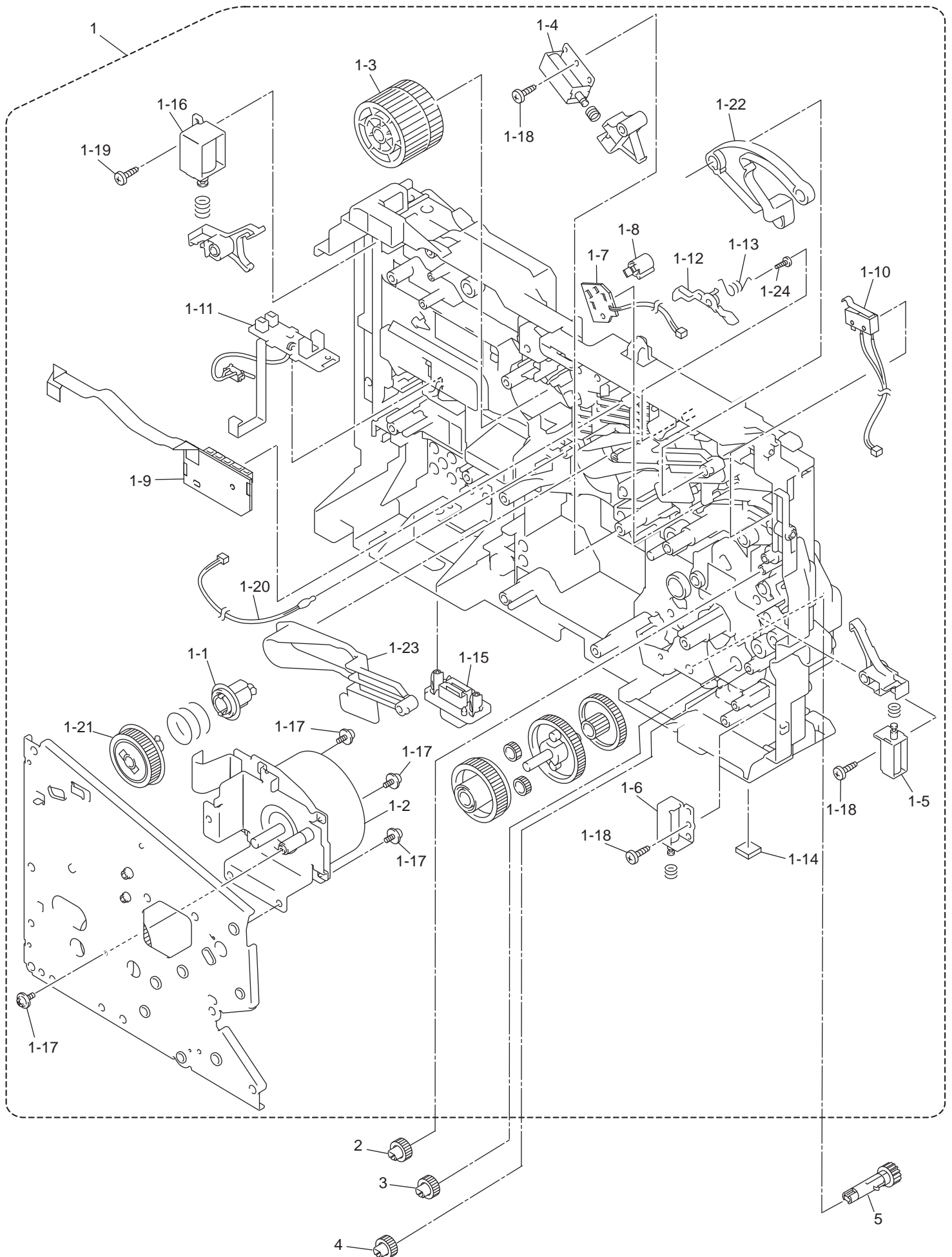
U.S.A. ----- USA

UNITED KINGDOM ----- UK

CONTENTS

1.	<u>FRAME L & DRIVE UNIT</u>	1
2.	<u>FRAME UNIT</u>	3
3.	<u>LASER UNIT</u>	5
4.	<u>PAPER FEEDER</u>	7
5.	<u>DUPLEX</u>	9
6.	<u>PAPER TRAY</u>	11
7.	<u>FUSER UNIT</u>	13
8.	<u>COVERS</u>	15
9.	<u>SCANNER</u>	17
10.	<u>ADF 1</u>	19
11.	<u>ADF 2</u>	21
12.	<u>PANEL</u>	23
13.	<u>PCB</u>	26
14.	<u>ACCESSORIES</u>	28
15.	<u>PRINTED MATERIALS</u>	31
16.	<u>PACKING MATERIALS</u>	33
17.	<u>OTHERS</u>	36

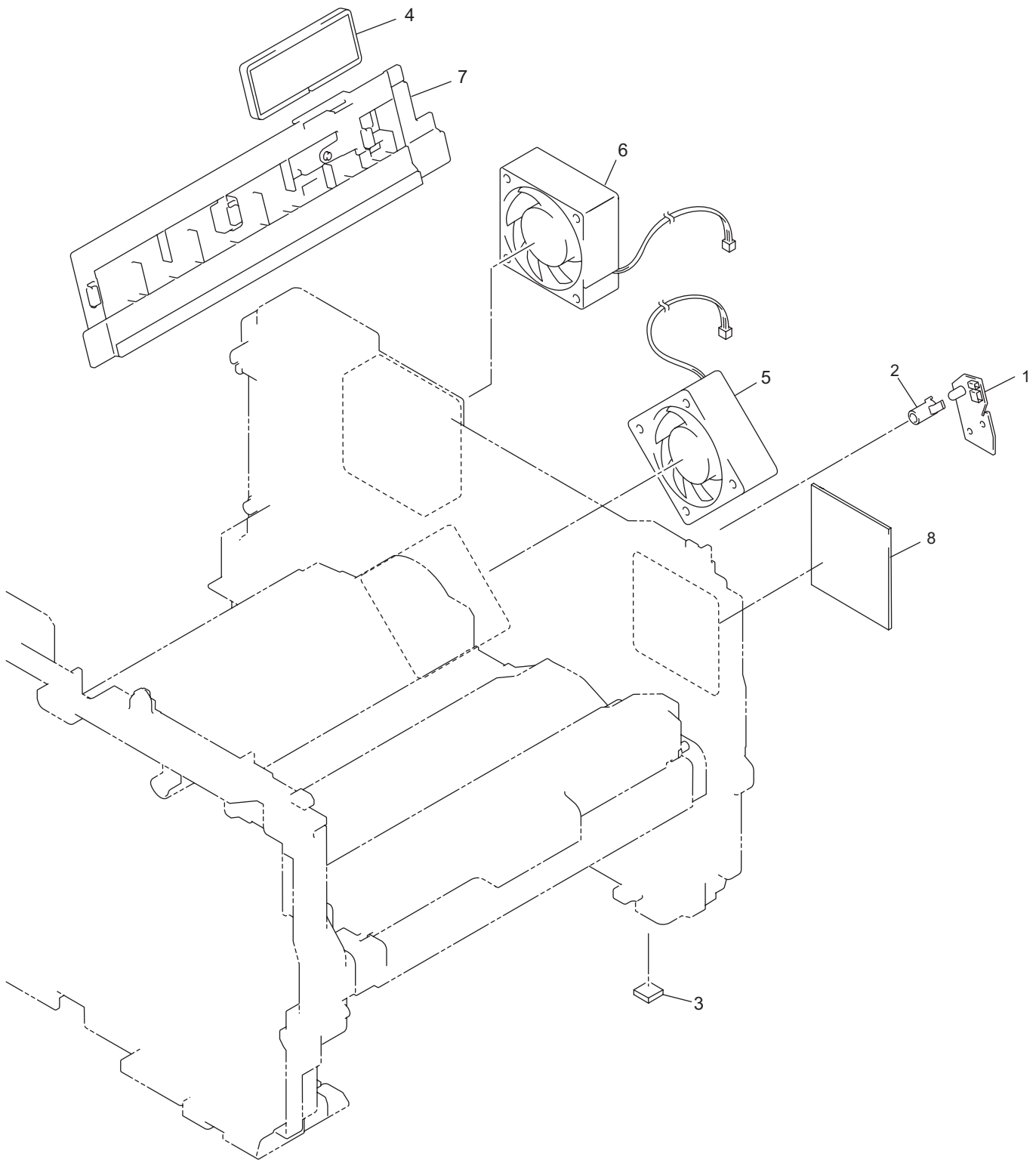
1. FRAME L & DRIVE UNIT



LIST1(FRAME L&DRIVE UNIT)

REF No.	CODE	Q'TY	DESCRIPTION	RECOMMEND	REMARKS
1	LX2517001	1	MAIN FRAME L UNIT		CHG
1-1	LU7214001	1	DEVELOP JOINT		
1-2	LM5047001	1	MAIN MOTOR ASSY AL		
1-3	LM5048001	1	FUSER GEAR 39 H/R DRIVE		
1-4	LM5058001	1	REGISTER SOLENOID ASSY		
1-5	LM5062001	1	MP SOLENOID ASSY		
1-6	LM5067001	1	T1 SOLENOID ASSY		
1-7	LJ9935001	1	TONER SENSOR PCB ASSY		
1-8	UL9037001	1	PT SENSOR HOLDER		
1-9	LV0690002	1	RELAY FRONT PCB ASSY		CHG
1-10	LJ9940001	1	FRONT COVER SW ASSY		
1-11	LJ9942001	1	RELAY REAR PCB ASSY		
1-12	LM5085001	1	NEW TONER ACTUATOR		
1-13	LM5086001	1	NEW TONER ACTUATOR SPRING		
1-14	LJ7403001	1	RUBBER FOOT		
1-15	LJ9945001	1	CONNECTOR		
1-16	LM5011001	1	EJECTOR SOLENOID		
1-17	087320616	4	TAPTITE CUP S M3x6		
1-18	085311016	3	TAPTITE BIND B M3x10		
1-19	085311016	1	TAPTITE BIND B M3x10		
1-20	LG4518001	1	THERMISTOR ASSY		
1-21	LM5043001	1	DEV GEAR 37R JOINT DRIVE		
1-22	LM5080001	1	DRIVE RELEASE LINK		
1-23	LM5079001	1	DRIVE RELEASE CAM		add
1-24	087210616	1	TAPTITE CUP B M2X6		add
2	LM5104001	1	GEAR 17 MP ROLLER DRIVE		
3	LM5103001	1	GEAR 20 T1 ROLLER DRIVE		
4	LM5102001	1	GEAR 17 FEED ROLLER DRIVE		add
5	LM5051001	1	DX GEAR 15 TRAY DRIVE		add

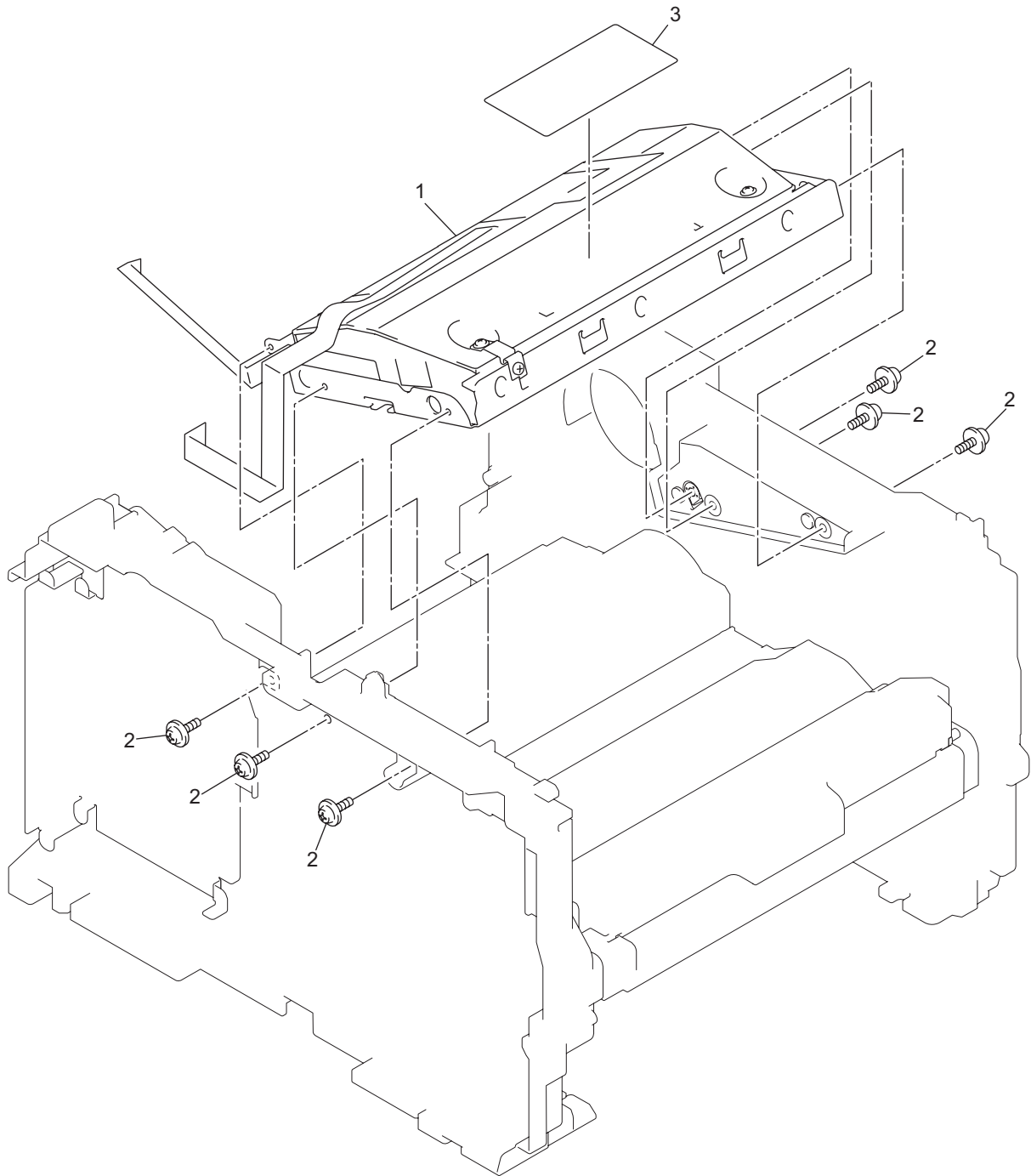
2. FRAME UNIT



LIST2(FRAME UNIT)

REF No.	CODE	Q'TY	DESCRIPTION	RECOMMEND	REMARKS
1	LV0282001	1	TONER LED PCB ASSY		
2	LM4267001	1	LED HOLDER		
3	LJ7403001	1	RUBBER FOOT		
4	LU7141001	1	FILTER ASSY		
5	LM5114001	1	FAN MOTOR 60 UNIT LV		
6	LU7032001	1	FAN MOTOR 60 UNIT		
7	LM6655001	1	AIR DUCT ASSY AL		
8	LT0963001	1	WIRELESS PCB, MFC8690DW/MFC8890DW	√	CHG

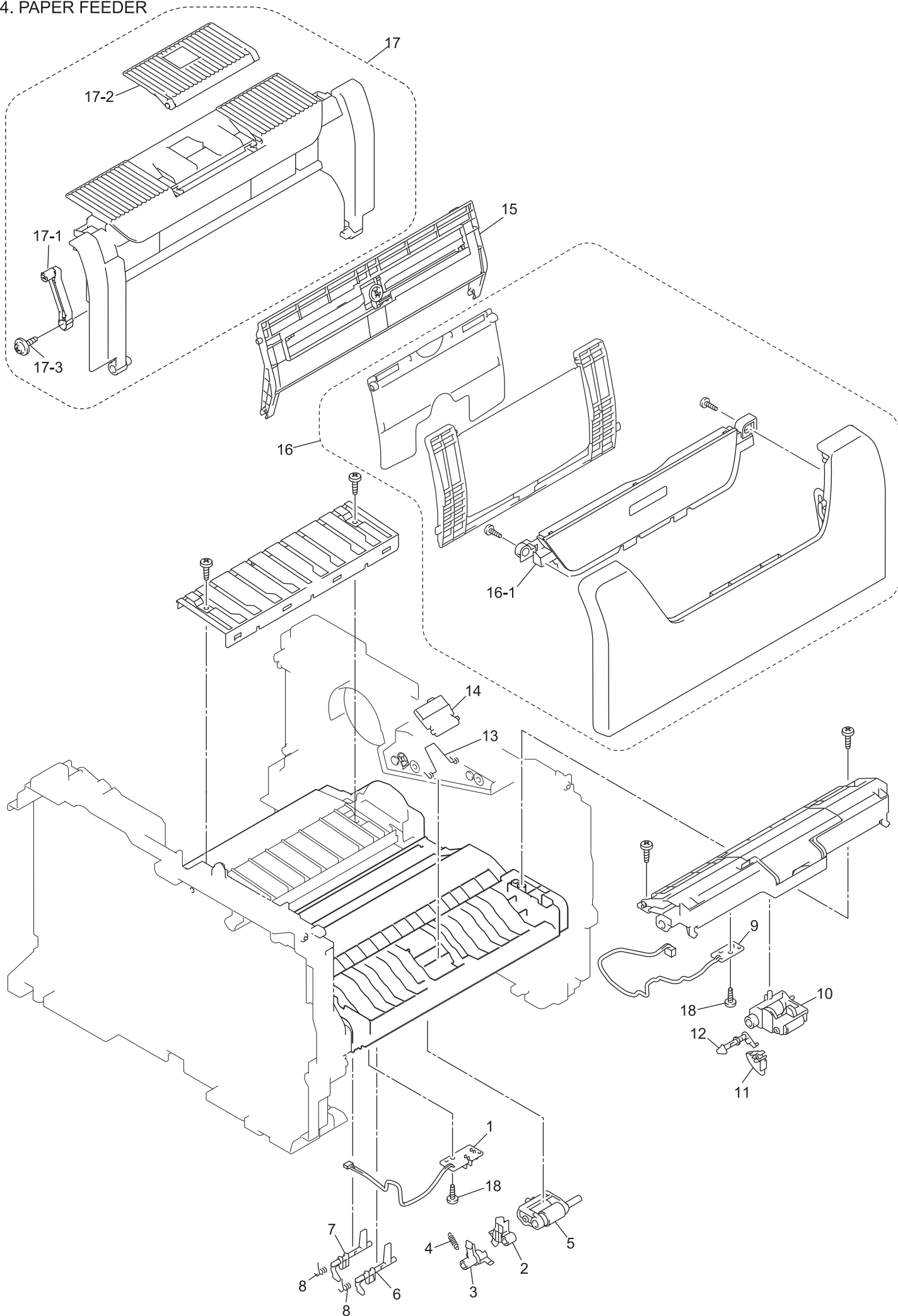
3. LASER UNIT



LIST3(LASER UNIT)

REF No.	CODE	Q'TY	DESCRIPTION	RECOMMEND	REMARKS
1	LU7176001	1	LASER UNIT (SP)	√	
2	087320616	6	TAPTITE, CUP S M3X6		
3	LJ0908001	1	LASER CAUTION LABEL EXCEPT FOR CHN		
3	UL7931001	1	LASER CAUTION LABEL FOR CHN		

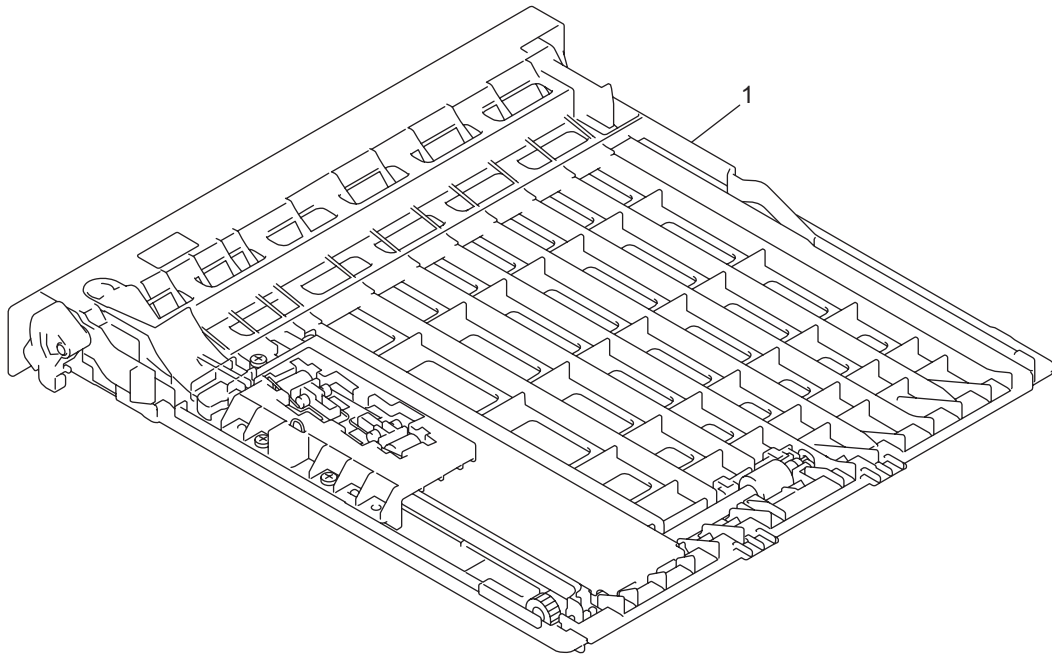
4. PAPER FEEDER



LIST4(PAPER FEEDER)

REF No.	CODE	Q'TY	DESCRIPTION	RECOMMEND	REMARKS
1	LM9001001	1	PE EG SENSOR ASSY		
2	LU7935001	1	PE ACTUATOR ASSY		CHG
3	LM5132001	1	EDGE ACTUATOR		
4	LM5133001	1	EDGE ACTUATOR SPRING		
5	LU7179001	1	ROLLER HOLDER ASSY		
6	LM5150001	1	REGIST ACTUATOR FRONT		
7	LM5151001	1	REGIST ACTUATOR REAR		
8	LM5152001	2	REGIST ACTUATOR SPRING		
9	LJ9999001	1	MP PE SENSOR ASSY		
10	LU7184001	1	MP ROLLER HOLDER ASSY		
11	LM5171001	1	PE ACTUATOR MP		
12	LU0027001	1	PE ACTUATOR MP B 2		
13	LM6490001	1	MP SEPARATION SPRING		
14	LM6752001	1	SEPARATION PAD ASSY MP		
15	LM5196005	1	TRAY MP ASSY		
16	LS7305001	1	MP TRAY COVER ASSY, DCP8080DN/DCP8085DN/MFC8480DN/MFC8680DN		
16	LS7004001	1	MP TRAY COVER ASSY, MFC8690DW/MFC8880DN/MFC8881DNHY/MFC8890DW, MFC8880DN RUS TENDER		
16-1	LS7306001	1	BROTHER EMBLEM COVER ASSY, DCP8080DN/DCP8085DN/MFC8480DN/MFC8680DN		
16-1	LS7283001	1	BROTHER EMBLEM COVER ASSY, MFC8690DW/MFC8880DN/MFC8881DNHY/MFC8890DW, MFC8880DN RUS TENDER		
17	LU7037001	1	PROCESS COVER ASSY EXCEPT FOR CHN/IND, EXCEPT FOR MFC8881DNHY, MFC8880DN RUS TENDER		
17	LU7527001	1	PROCESS COVER ASSY FOR CHN, MFC8881DNHY		
17	LU7689001	1	PROCESS COVER ASSY FOR IND		
17-1	LM5124001	1	PROCESS COVER STOPPER		
17-2	LU7039001	1	SUPPORT FLAP 1		
17-3	087411016	1	TAPTITE CUP B M4X10		
18	085310816	2	TAPTITE BIND B M3x8		

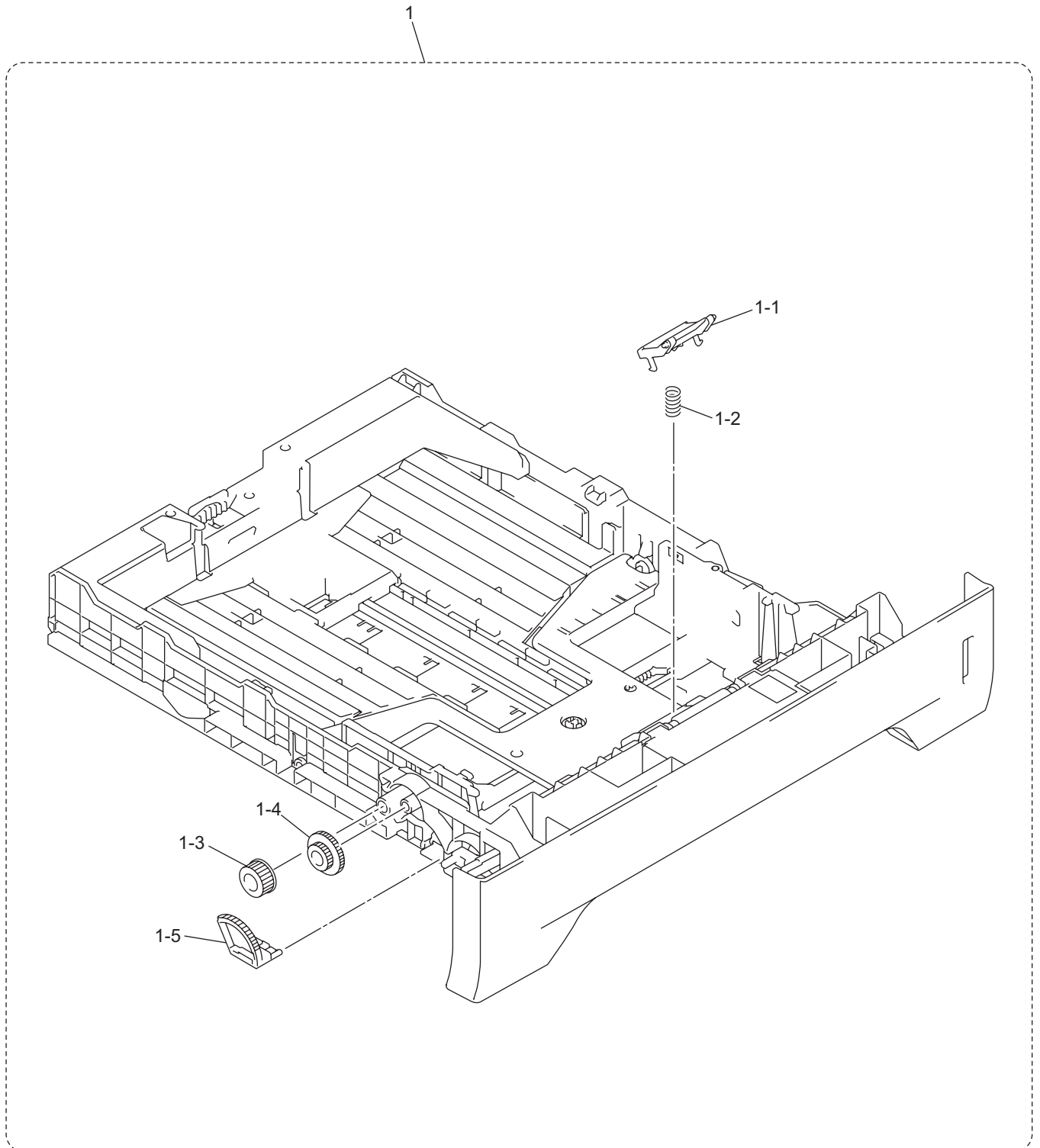
5. DUPLEX



LIST5(DUPLEX)

REF No.	CODE	Q'TY	DESCRIPTION	RECOMMEND	REMARKS
1	LM5209001	1	DX FEED ASSY LTR FOR US/CAN/PHL/ARG/CHL/BRA		
1	LU7503001	1	DX FEED ASSY A4 FOR GER/UK/FRA/BEL/NLD/CHE/AUS/ITA/ CHN/TUR/POL/ASA/GUL/KOR/IND/RUS/ARL/NZ/PND/IBR/EEU		

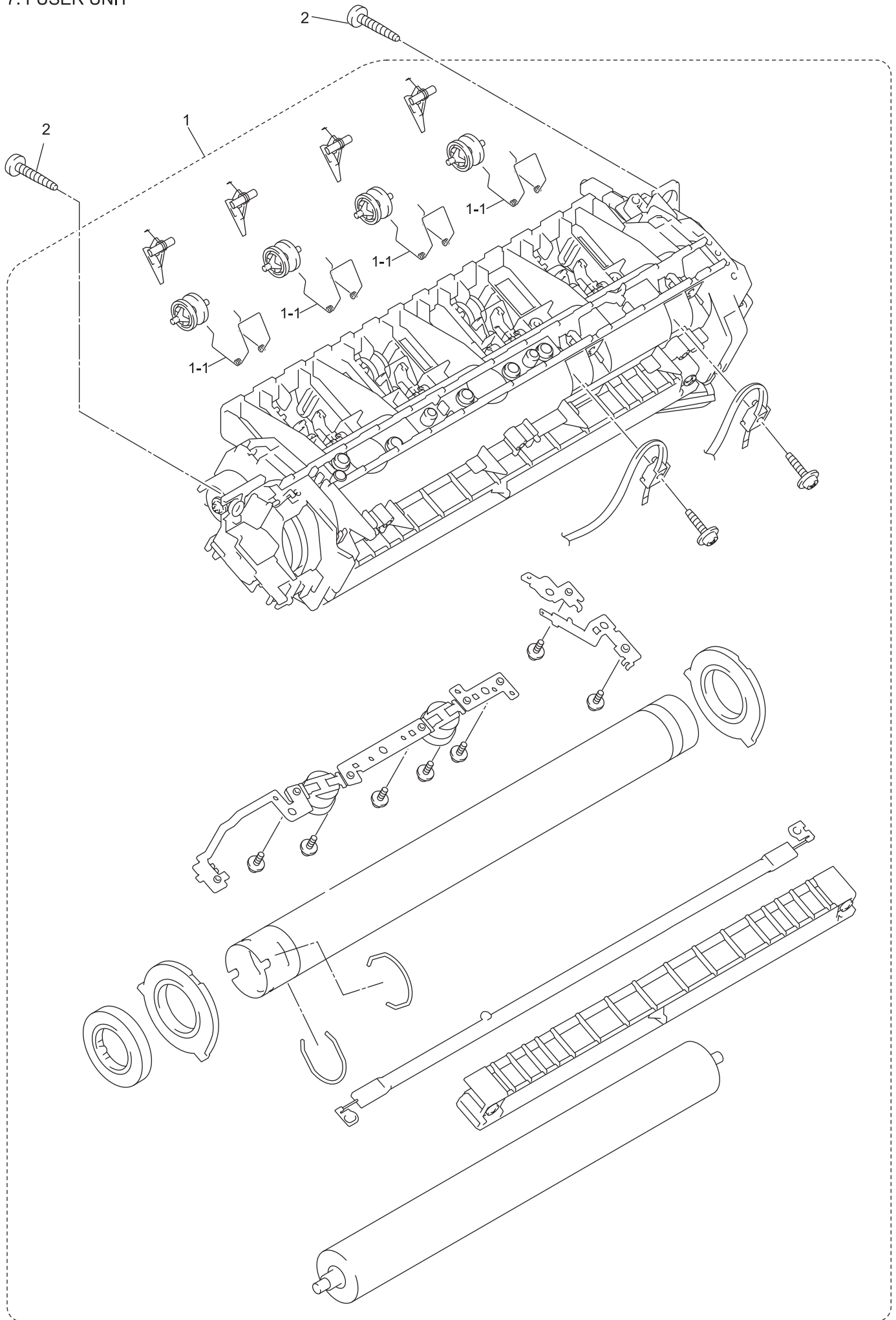
6. PAPER TRAY



LIST6(PAPER TRAY)

REF No.	CODE	Q'TY	DESCRIPTION	RECOMMEND	REMARKS
1	LU7198001	1	PAPER TRAY UNIT FOR US/CAN/PHL/ARG/CHL/BRA/IND		
1	LU7203001	1	PAPER TRAY UNIT FOR GER/UK/FRA/BEL/NLD/CHE/AUS/ ITA/CHN/TUR/POL/ASA/GUL/KOR/RUS/ARL/NZ/PND/IBR/EEU		
1-1	LM5237001	1	SEPARATION PAD ASSY		
1-2	LM5239001	1	SEPARATION PAD SPRING		
1-3	LM5245001	1	GEAR 15		
1-4	LM5246001	1	GEAR 21-16		
1-5	LM5247001	1	LIFT GEAR 46		

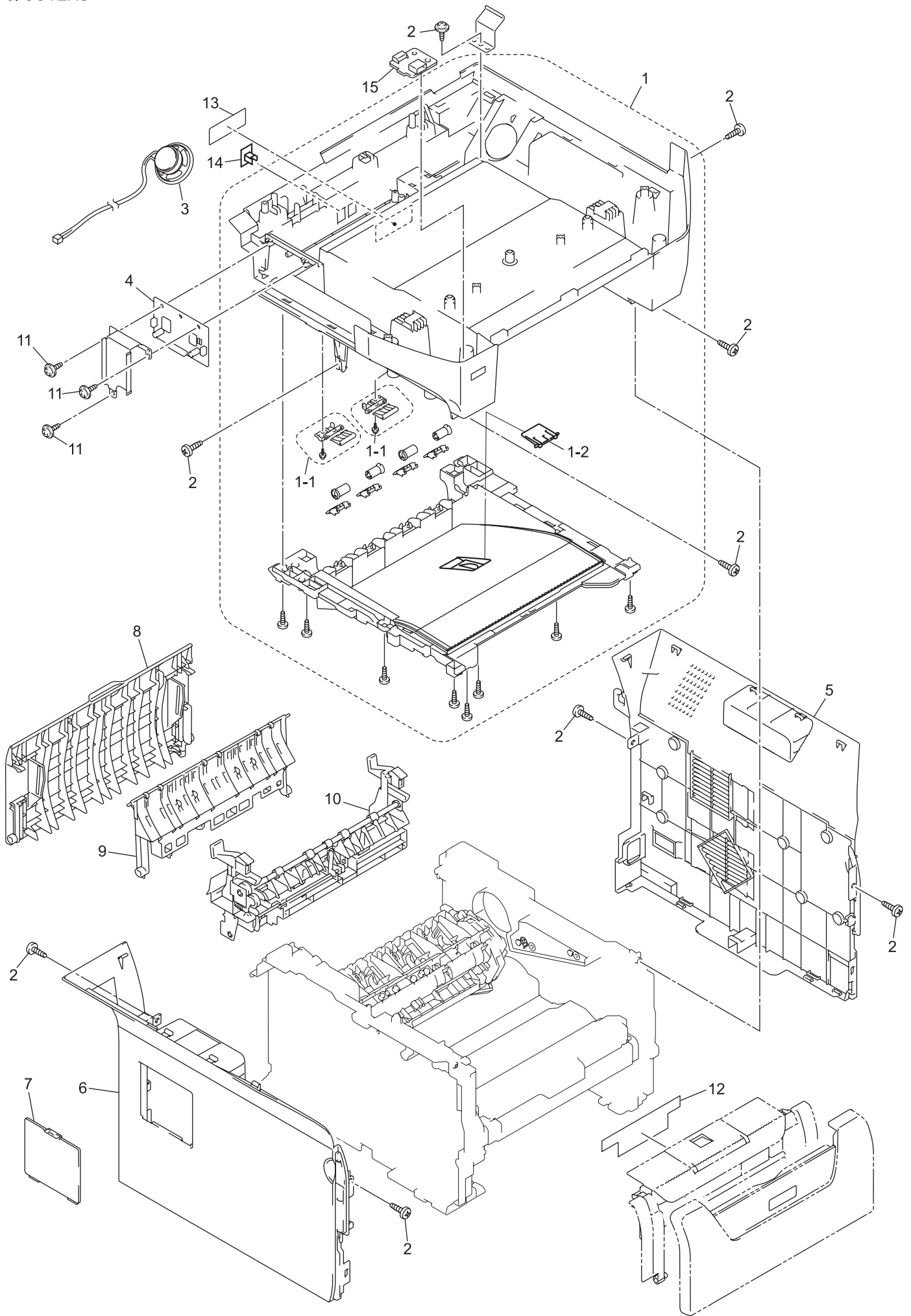
7. FUSER UNIT



LIST7(FUSER UNIT)

REF No.	CODE	Q'TY	DESCRIPTION	RECOMMEND	REMARKS
1	LU8233001	1	FUSER UNIT 115V (SP) FOR US/CAN/BRA	√	CHG
1	LU8236001	1	FUSER UNIT 230V (SP) FOR GER/UK/FRA/BEL/NLD/CHE/AUS/ ITA/CHN/PHL/TUR/ARG/CHL/POL/ASA/GUL/KOR/IND/RUS/ARL/NZ/ PND/IBR/EEU	√	CHG
1-1	LU7078001	4	PRESSURE SPRING		
1-2	LU7154004	4	EJECT PINCH ROLLER M		del
2	LU7164001	2	TAPTITE PAN B M4X20		

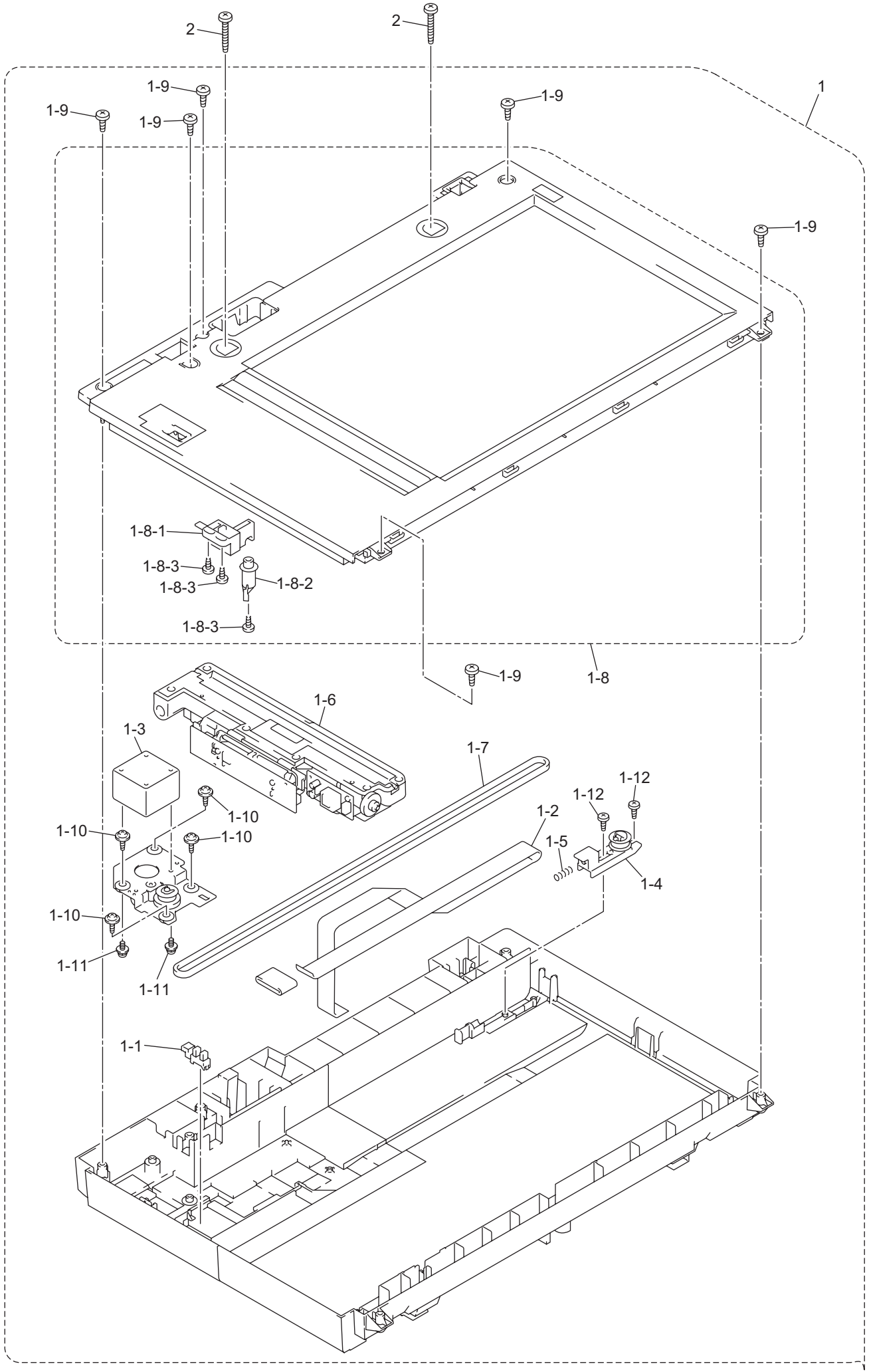
8. COVERS



LIST8(COVERS)

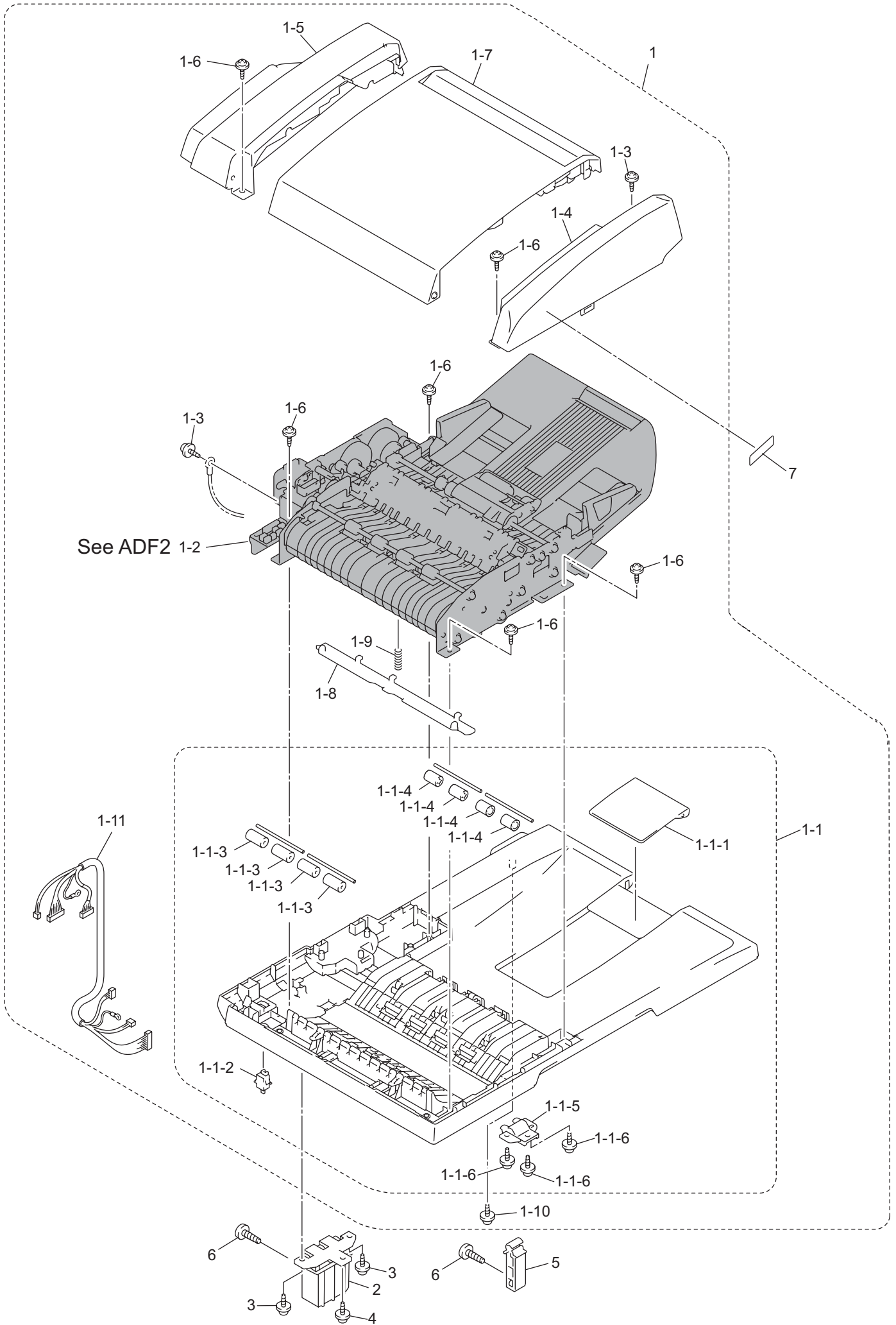
REF No.	CODE	Q'TY	DESCRIPTION	RECOMMEND	SYMBOL	REMARKS
1	LS7307001	1	JOINT COVER ASSY, GRAY(1581), DCP8080DN/DCP8085DN			
1	LS7239001	1	JOINT COVER ASSY, GRAY(1581), MFC8480DN/MFC8680DN/MFC8690DW/MFC8880DN/ MFC8881DNHY/ MFC8890DW, MFC8880DN RUS TENDER			
1-1	LU7312001	2	PAPER STACK LEVER SP ASSY			
1-2	LU7118001	1	SUPPORT FLAP 2			
2	085411216	9	TAPTITE, BIND B M4X12			
3	LG6529001	1	SPEAKER ASSY			
4	LG6531001	1	DRIVER PCB ASSY		B53K850	
5	LF9624001	1	SIDE COVER R, GRAY(1736)			
6	LF9625001	1	SIDE COVER L, GRAY(1736)			
7	LM5273001	1	ACCESS COVER, GRAY(1736)			
8	LU7046001	1	BACK COVER			
9	LU7047001	1	OUTER CHUTE ASSY			
10	LU7126001	1	REAR CHUTE ASSY			
11	087310816	3	TAPTITE CUP B M3X8			
12	LS7388001	1	PROCESS UNIT OP LABEL FOR US/CAN/ARG/CHL/BRA			
12	LU7341001	1	PROCESS UNIT OP LABEL FOR GER/UK/FRA/BEL/NLD/CHE/ AUS/ITA/POL/RUS/PND/IBR/EEU, EXCEPT FOR MFC8881DNHY			
12	LS7919001	1	PROCESS UNIT OP LABEL FOR CHN			
12	LU7496001	1	PROCESS UNIT OP LABEL FOR PHL/TUR/ASA/GUL/KOR/IND/ARL/NZ			
12	LX2209001	1	PROCESS UNIT OP LABEL, MFC8881DNHY			
13	LU7303001	1	FUSER CAUTION LABEL			
14	LE8842001	1	EXT CAP, MFC8480DN/MFC8680DN/MFC8690DW/MFC8880DN/MFC8890DW FOR US/CAN/CHE/CHN/PHL/TUR/POL/ARG/CHL/ASA/GUL/ BRA/KOR/IND/RUS/ARL/NZ/PND/IBR/EEU, MFC8880DN RUS TENDER			
14	UF5745000	1	MJ COVER EXT, MFC8880DN/MFC8881DNHY/MFC8890DW FOR GER/UK/FRA/BEL/NLD/AUS/ITA			
15	LT0668001	1	USB HOST PCB			

9. SCANNER



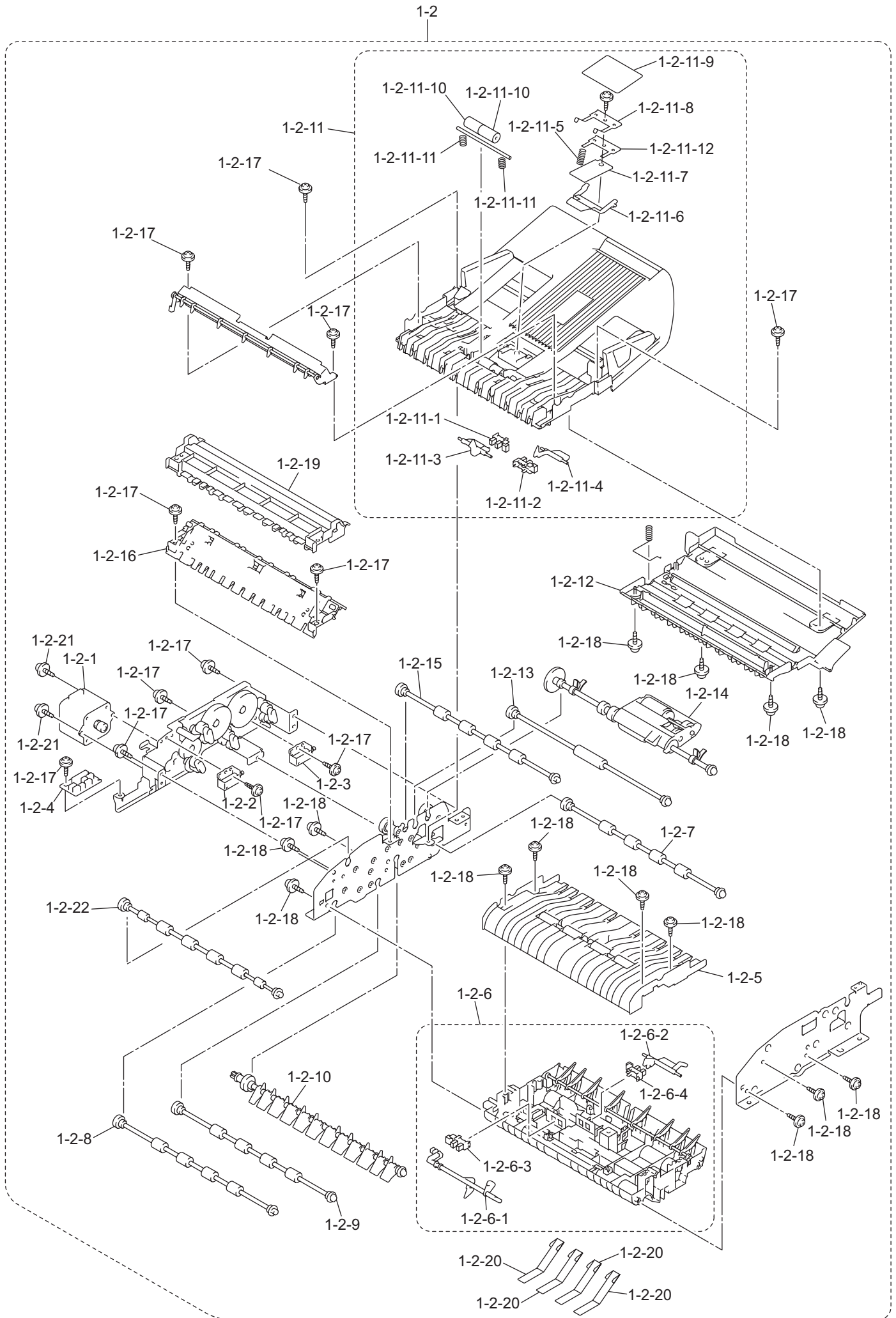
List9(SCANNER)

REF No.	CODE	Q'TY	DESCRIPTION	RECOMMEND	REMARKS
1	LP2357001	1	ALFB UNIT ASSY(SP)	√	
1-1	LG2239001	1	PHOTO INTERRUPTER		
1-2	LF9629001	1	FFC CABLE ASSY		
1-3	LE8632001	1	SCANNING MOTOR FB		
1-4	LF9637001	1	PULLEY ASSY		
1-5	LE8640001	1	PULLEY SPRING		
1-6	LF2037001	1	CCD MODULE(SP)	√	
1-7	LE8642001	1	BELT		
1-8	LF9641001	1	TOP COVER ASSY		
1-8-1	LF2004001	1	LOCK LEVER ASSY		
1-8-2	LE8649001	1	LOCK LEVER B		
1-8-3	UF5034001	3	TAPTITE, B 3X6		
1-9	087411216	6	TAPTITE, CUP B M4X12		
1-10	LE2861001	4	TAPTITE, PAN B M3X8		
1-11	0A4300606	2	SCREW, PAN (S/P WASHER) M3X6		
1-12	UF5034001	2	TAPTITE, B 3X6		
2	087412016	2	TAPTITE, CUP B M4X20		



LIST10(ADF1)

REF No.	CODE	Q'TY	DESCRIPTION	RECOMMEND	SYMBOL	REMARKS
1	LS7634001	1	ADF UNIT LGL SX (SP), DCP8080DN/MFC8480DN	√		
1	LS7633001	1	ADF UNIT LGL DX (SP), DCP8085DN/MFC8680DN/MFC8690DW/MFC8880DN/ MFC8881DNHY/MFC8890DW, MFC8880DN RUS TENDER	√		
1-1	LS7294001	1	DOCUMENT COVER LGL SUB ASSY			
1-1-1	LF9647001	1	DOCUMENT EJECTION TRAY			
1-1-2	LG3218001	1	DOCUMENT COVER SENSOR			
1-1-3	UF9009001	4	PRESSURE ROLLER			
1-1-4	UL6244002	4	EJECTION ROLLER B4			
1-1-5	LE6245001	1	HINGE BASE R			
1-1-6	087311016	3	TAPTITE, CUP B M3X10 SEE NEXT PAGE			
1-2						
1-3	LP2378001	2	TAPTITE, CUP S M3X8 SR			
1-4	LS7258001	1	ADF SIDE COVER F			
1-5	LF9697001	1	ADF SIDE COVER R			
1-6	087311016	6	TAPTITE CUP B M3X10			
1-7	LF9700001	1	ADF COVER ASSY SX, DCP8080DN/MFC8480DN			
1-7	LF9754001	1	ADF COVER ASSY DX, DCP8085DN/MFC8680DN/MFC8690DW/MFC8880DN/ MFC8881DNHY/MFC8890DW, MFC8880DN RUS TENDER			
1-8	LE8834001	1	DOCUMENT HOLD ASSY			
1-9	LF2026001	1	DOCUMENT HOLD SPRING			
1-10	LP2320001	1	TAPTITE, CUP B M3X10			
1-11	LT0948001	1	ADF HARNESS ASSY ALEFB SX, DCP8080DN/MFC8480DN			CHG
1-11	LT0946001	1	ADF HARNESS ASSY ALEFB DX, DCP8085DN/MFC8680DN/ MFC8690DW/MFC8880DN/MFC8881DNHY/MFC8890CW, MFC8880DN RUS TENDER			CHG
2	LF9703001	1	HINGE ASSY L			
3	087311016	2	TAPTITE CUP B M3X10			
4	087321217	1	TAPTITE CUP S M3X12			
5	LS7497001	1	HINGE ARM R			
6	085411216	2	TAPTITE BIND B M4X12			
7	LS7326001	1	ADF EMBLEM, DCP8080DN/DCP8085DN			
7	LS7325001	1	ADF EMBLEM, MFC8480DN/MFC8680DN/MFC8880DN/MFC8881DNHY, MFC8880DN RUS TENDER			
7	LS7323001	1	ADF EMBLEM, MFC8690DW/MFC8890DW			



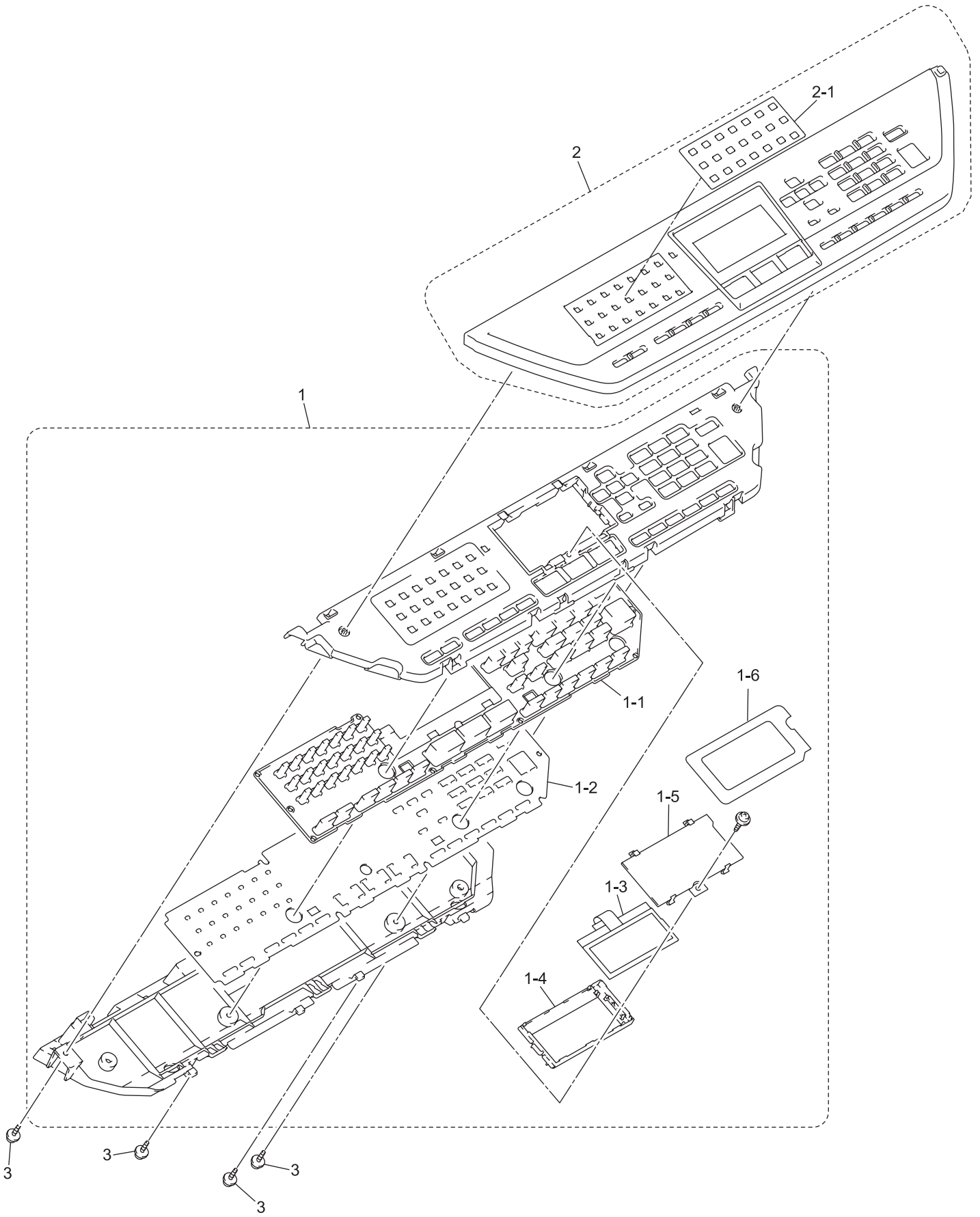
LIST11(ADF2)

REF No.	CODE	Q'TY	DESCRIPTION	RECOMMEND	SYMBOL	REMARKS
1-2	LS7296001	1	ADF CHUTE ASSY SX, DCP8080DN/MFC8480DN			
1-2	LS7297001	1	ADF CHUTE ASSY DX, DCP8085DN/MFC8680DN/MFC8690DW/MFC8880DN/ MFC8881DNHY/MFC8890DW, MFC8880DN RUS TENDER			
1-2-1	LE8688001	1	ADF MOTOR			
1-2-2	LP2353001	1	S/B SOLENOID ASSY, DCP8085DN/MFC8680DN/MFC8690DW/MFC8880DN/ MFC8881DNHY/MFC8890DW, MFC8880DN RUS TENDER			
1-2-3	LP2354001	1	PF SOLENOID ASSY, DCP8085DN/MFC8680DN/MFC8690DW/MFC8880DN/ MFC8881DNHY/MFC8890DW, MFC8880DN RUS TENDER			
1-2-4	LG6537001	1	ADF RELAY PCB, DCP8080DN/MFC8480DN		B53K847	
1-2-4	LG6537002	1	ADF RELAY PCB, DCP8085DN/MFC8680DN/MFC8690DW/MFC8880DN/ MFC8881DNHY/MFC8890DW, MFC8880DN RUS TENDER		B53K847	
1-2-5	LF9666001	1	UPPER MAIN CHUTE ASSY			
1-2-6	LF9669001	1	LOWER MAIN CHUTE ASSY, DCP8080DN/MFC8480DN			
1-2-6	LF9741001	1	LOWER MAIN CHUTE ASSY, DCP8085DN/MFC8680DN/MFC8690DW/MFC8880DN/ MFC8881DNHY/MFC8890DW, MFC8880DN RUS TENDER			
1-2-6-1	LF9671001	1	ACTUATOR R			
1-2-6-2	LF9742001	1	ACTUATOR SB, DCP8085DN/MFC8680DN/MFC8690DW/MFC8880DN/ MFC8881DNHY/ MFC8890DW, MFC8880DN RUS TENDER			
1-2-6-3	LG2239001	1	PHOTO INTERRUPTER			
1-2-6-4	LG2239001	1	PHOTO INTERRUPTER, DCP8085DN/MFC8680DN/MFC8690DW/MFC8880DN/ MFC8881DNHY/MFC8890DW, MFC8880DN RUS TENDER			
1-2-7	LF9673001	1	EXIT ROLLER ASSY			
1-2-8	LF9675001	1	LF ROLLER3 ASSY			
1-2-9	LF9677001	1	LF ROLLER4 ASSY			
1-2-10	LF9743001	1	FLAP ASSY, DCP8085DN/MFC8680DN/MFC8690DW/MFC8880DN/ MFC8881DNHY/ MFC8890DW, MFC8880DN RUS TENDER			
1-2-11	LF9681001	1	PAPER FEED CHUTE ASSY, DCP8080DN/MFC8480DN			
1-2-11	LF9747001	1	PAPER FEED CHUTE ASSY, DCP8085DN/MFC8680DN/MFC8690DW/MFC8880DN/ MFC8881DNHY/MFC8890DW, MFC8880DN RUS TENDER			
1-2-11-1	LG2239001	1	PHOTO INTERRUPTER			
1-2-11-2	LG2239001	1	PHOTO INTERRUPTER, DCP8085DN/MFC8680DN/MFC8690DW/MFC8880DN/ MFC8881DNHY/MFC8890DW, MFC8880DN RUS TENDER			
1-2-11-3	LF9683001	1	ACTUATOR FRONT1			
1-2-11-4	LF9748001	1	ACTUATOR FRONT2, DCP8085DN/MFC8680DN/MFC8690DW/MFC8880DN/ MFC8881DNHY/MFC8890DW, MFC8880DN RUS TENDER			
1-2-11-5	LF9684001	1	SEPARATION SPRING			
1-2-11-6	LF9685001	1	RUBBER HOLDER			
1-2-11-7	LF9686001	1	SEPARATION RUBBER			
1-2-11-8	LE1513001	1	SPRING PLATE ADF FRONT A ASSY			
1-2-11-9	LE2470001	1	ADF FILM			
1-2-11-10	LP2159001	2	PRESSURE ROLLER			
1-2-11-11	LE2472001	2	LF SPRING			
1-2-11-12	LP2907001	1	BACK SHEET ADF			
1-2-12	LF9692001	1	EXIT CHUTE COVER ASSY			
1-2-13	LP2448001	1	LF ROLLER1 ASSY			
1-2-14	LS1030001	1	PF ROLLER HOLDER ASSY			
1-2-15	LF9749001	1	SB ROLLER ASSY, DCP8085DN/MFC8680DN/MFC8690DW/MFC8880DN/ MFC8881DNHY/MFC8890DW, MFC8880DN RUS TENDER			
1-2-16	LF9751001	1	SB CHUTE ASSY, DCP8085DN/MFC8680DN/MFC8690DW/MFC8880DN/ MFC8881DNHY/MFC8890DW, MFC8880DN RUS TENDER			
1-2-17	LP2378001	12	TAPTITE CUP S M3X8 SR			
1-2-18	087311016	14	TAPTITE CUP B M3X10			
1-2-19	LF9850001	1	SX CHUTE, DCP8080DN/MFC8480DN			
1-2-20	LP2347001	4	LF4 FILM			
1-2-21	0A4300606	2	SCREW PAN (S/P WASHER) M3X6			
1-2-22	LS0761001	1	LF ROLLER2 ASSY			

8C5D11/8C5D16/8C5D41/
8C5D51/8C5D56/8C5D57/8C5D61

DCP8080DN/DCP8085DN/MFC8480DN/
MFC8680DN/MFC8690DW/MFC8880DN/
MFC8881DNHY/MFC8890DW

12. PANEL



LIST12(PANEL)

REF No.	CODE	Q'TY	DESCRIPTION	RECOMMEND	SYMBOL	REMARKS
1	LS7312001	1	PANEL UNIT, DCP8080DN/DCP8085DN EXCEPT FOR CHN			
1	LS7247001	1	PANEL UNIT, MFC8480DN/MFC8680DN/MFC8690DW/MFC8880DN/MFC8881DNHY/ MFC8890DW EXCEPT FOR CHN, MFC8880DN RUS TENDER			
1	LX2064001	1	PANEL UNIT, DCP8085DN FOR CHN			
1	LS7929001	1	PANEL UNIT, MFC8880DN FOR CHN			
1-1	LS7313001	1	PRINTED RUBBER KEY, DCP8080DN/DCP8085DN			
1-1	LS7272001	1	PRINTED RUBBER KEY, MFC8480DN/MFC8680DN/MFC8690DW/MFC8880DN/ MFC8881DNHY/MFC8890DW, MFC8880DN RUS TENDER			
1-2	LT0695002	1	PANEL PCB ASSY, DCP8080DN/DCP8085DN EXCEPT FOR CHN		B57T005	
1-2	LT0695001	1	PANEL PCB ASSY, MFC8480DN/MFC8680DN/MFC8690DW/MFC8880DN/ MFC8881DNHY/MFC8890DW EXCEPT FOR CHN, MFC8880DN RUS TENDER		B53K852	
1-2	LT0964002	1	PANEL PCB ASSY, DCP8085DN FOR CHN		B57T001	ADD
1-2	LT0964001	1	PANEL PCB ASSY, MFC8880DN FOR CHN		B57T001	
1-3	A62006001	1	LCD EXCEPT FOR CHN			
1-3	A62027001	1	LCD FOR CHN			
1-4	LG6550001	1	BACK LIGHT MODULE			
1-5	LF9709001	1	LCD COVER			
1-6	LX2082001	1	PANEL INSULATION SHEET			add
2	LS7309001	1	PANEL COVER ASSY, DCP8080DN FOR US/CAN			
2	LS7608001	1	PANEL COVER ASSY, DCP8085DN FOR US/UK/FRA/BEL/NLD/ARL/NZ/ PND/EEU (ENGLISH)			
2	LS7316001	1	PANEL COVER ASSY, MFC8480DN FOR US/CAN			
2	LX2013001	1	PANEL COVER ASSY, MFC8680DN FOR US			
2	LX2701001	1	PANEL COVER ASSY, MFC8690DW FOR US			
2	LS7248001	1	PANEL COVER ASSY, MFC8890DW FOR US/CAN/ARL/NZ			
2	LS7674001	1	PANEL COVER ASSY, DCP8085DN FOR GER/CHE			
2	LS7667001	1	PANEL COVER ASSY, MFC8880DN FOR GER/CHE/AUS			
2	LS7679001	1	PANEL COVER ASSY, MFC8890DW FOR GER/CHE/AUS			
2	LS7563001	1	PANEL COVER ASSY, MFC8880DN FOR UK/FRA/BEL/NLD/GUL/EEU (ENGLISH)			
2	LS7640001	1	PANEL COVER ASSY, MFC8890DW FOR UK/FRA/BEL/NLD (ENGLISH)			
2	LS7609001	1	PANEL COVER ASSY, DCP8085DN FOR FRA/BEL/NLD/CHE (FRENCH)			
2	LS7564001	1	PANEL COVER ASSY, MFC8880DN FOR FRA/BEL/NLD/CHE (FRENCH)			
2	LS7641001	1	PANEL COVER ASSY, MFC8890DW FOR FRA/BEL/NLD/CHE (FRENCH)			
2	LS7610001	1	PANEL COVER ASSY, DCP8085DN FOR FRA/BEL/NLD (DUTCH)			
2	LS7565001	1	PANEL COVER ASSY, MFC8880DN FOR FRA/BEL/NLD (DUTCH)			
2	LS7642001	1	PANEL COVER ASSY, MFC8890DW FOR FRA/BEL/NLD (DUTCH)			
2	LS7604001	1	PANEL COVER ASSY, DCP8085DN FOR ITA			
2	LS7558001	1	PANEL COVER ASSY, MFC8880DN FOR ITA			
2	LX2211001	1	PANEL COVER ASSY, MFC8881DNHY FOR ITA			
2	LS7638001	1	PANEL COVER ASSY, MFC8890DW FOR ITA			
2	LX2026001	1	PANEL COVER ASSY, DCP8085DN FOR CHN			
2	LS7920001	1	PANEL COVER ASSY, MFC8880DN FOR CHN			
2	LS7994001	1	PANEL COVER ASSY, MFC8880DN FOR PHL/ASA/IND/ARL/NZ			
2	LS7939001	1	PANEL COVER ASSY, DCP8085DN FOR TUR			
2	LS7981001	1	PANEL COVER ASSY, MFC8880DN FOR TUR			
2	LS7930001	1	PANEL COVER ASSY, DCP8080DN FOR ARG			
2	LS7952001	1	PANEL COVER ASSY, MFC8480DN FOR ARG/CHL			
2	LX2008001	1	PANEL COVER ASSY, MFC8890DW FOR ARG/CHL			
2	LS7983001	1	PANEL COVER ASSY, MFC8880DN FOR POL			
2	LX2084001	1	PANEL COVER ASSY, DCP8080DN FOR BRA			
2	LX2074001	1	PANEL COVER ASSY, DCP8085DN FOR BRA			
2	LX2077001	1	PANEL COVER ASSY, MFC8480DN FOR BRA			
2	LX2080001	1	PANEL COVER ASSY, MFC8890DW FOR BRA			
2	LX2054001	1	PANEL COVER ASSY, MFC8880DN FOR KOR			
2	LS7943001	1	PANEL COVER ASSY, DCP8085DN FOR RUS			
2	LS7990001	1	PANEL COVER ASSY, MFC8880DN FOR RUS, MFC8880DN RUS TENDER			
2	LS7664001	1	PANEL COVER ASSY, MFC8880DN FOR PND			
2	LS7682001	1	PANEL COVER ASSY, MFC8890DW FOR PND			
2	LS7614001	1	PANEL COVER ASSY, DCP8085DN FOR ARG/CHL/IBR (SPANISH)			
2	LS7566001	1	PANEL COVER ASSY, MFC8880DN FOR IBR (SPANISH)			
2	LS7645001	1	PANEL COVER ASSY, MFC8890DW FOR IBR (SPANISH)			
2	LS7615001	1	PANEL COVER ASSY, DCP8085DN FOR IBR (PORTUGUESE)			
2	LS7567001	1	PANEL COVER ASSY, MFC8880DN FOR IBR (PORTUGUESE)			

8C5D11/8C5D16/8C5D41/
8C5D51/8C5D56/8C5D57/8C5D61

DCP8080DN/DCP8085DN/MFC8480DN/
MFC8680DN/MFC8690DW/MFC8880DN/
MFC8881DNHY/MFC8890DW

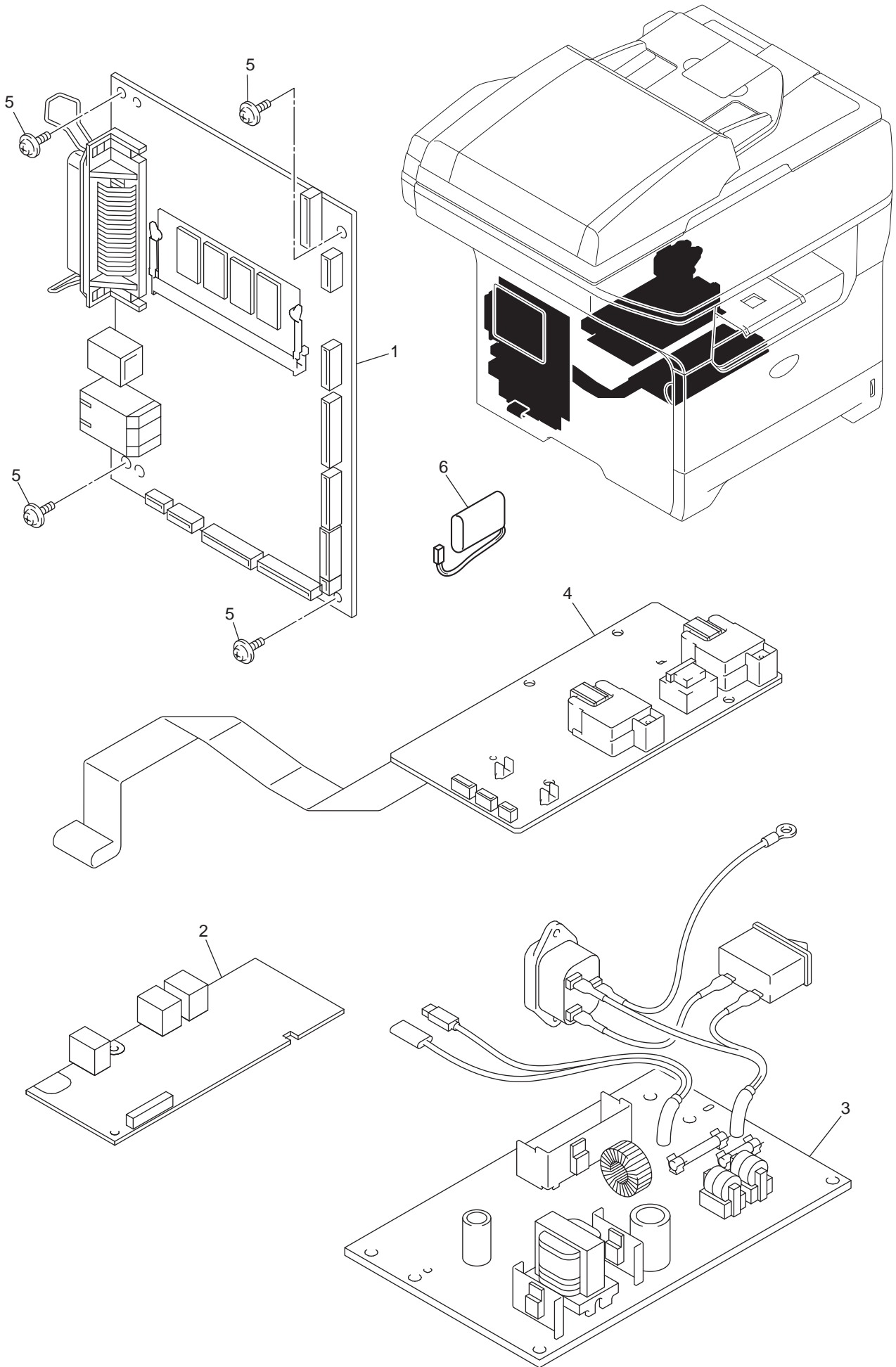
LIST12(PANEL)

REF No.	CODE	Q'TY	DESCRIPTION	RECOMMEND	SYMBOL	REMARKS
2	LS7646001	1	PANEL COVER ASSY, MFC8890DW FOR IBR (PORTUGUESE)			
2	LX2051001	1	PANEL COVER ASSY, DCP8085DN FOR EEU			
2-1	LF9717002	1	ADDRESS LABEL, MFC8480DN/MFC8680DN/MFC8690DW/MFC8880DN/ MFC8881DNHY/MFC8890DW EXCEPT FOR CHN, MFC8880DN RUS TENDER			
2-1	LP2637003	1	ADDRESS LABEL, MFC8880DN FOR CHN			
2-1	LP2189002	1	ADDRESS LABEL, MFC8880DN/MFC8890DW FOR IBR			
3	087411216	4	TAPTITE CUP B M4X12			

8C5D11/8C5D16/8C5D41/
8C5D51/8C5D56/8C5D57/8C5D61

DCP8080DN/DCP8085DN/MFC8480DN/
MFC8680DN/MFC8690DW/MFC8880DN/
MFC8881DNHY/MFC8890DW

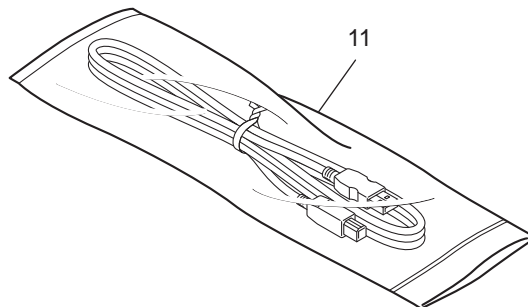
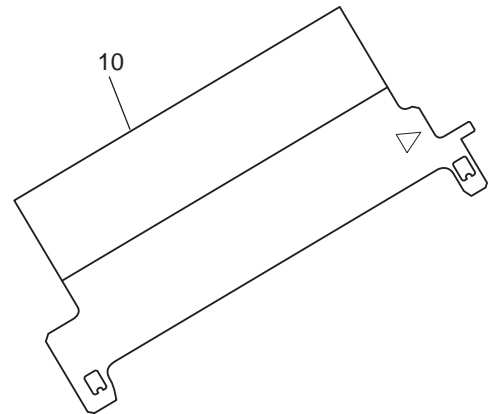
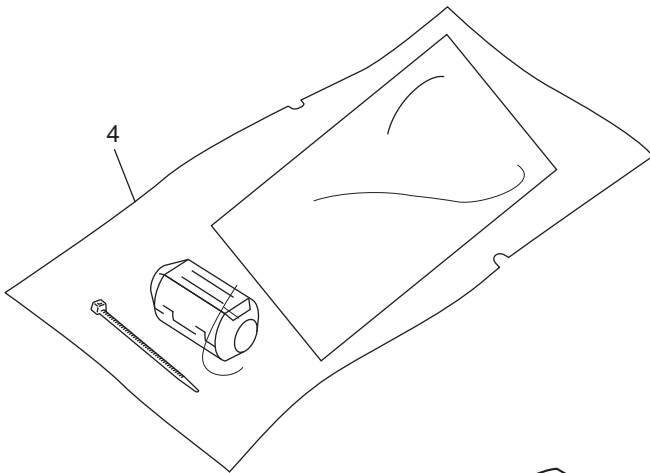
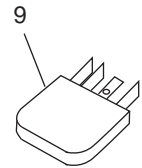
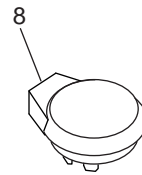
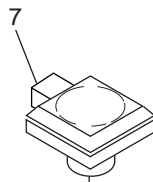
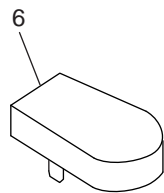
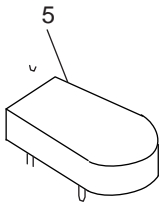
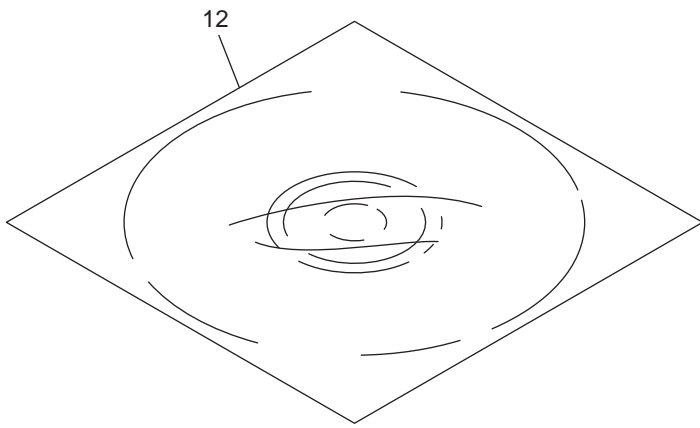
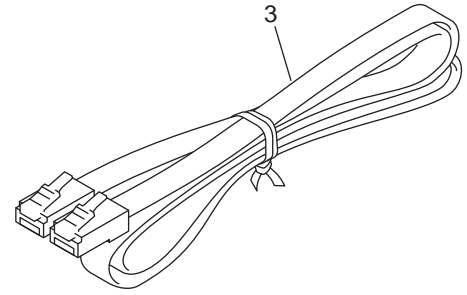
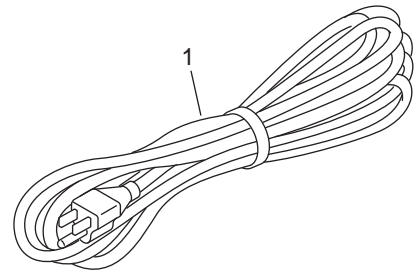
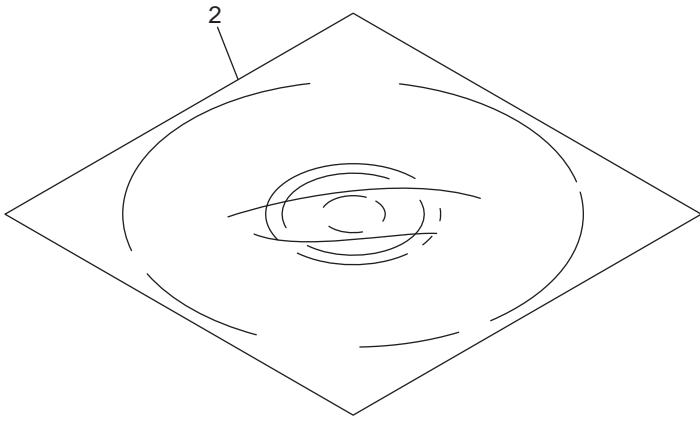
13. PCB



LIST13(PCB)

REF No.	CODE	Q'TY	DESCRIPTION	RECOMMEND	SYMBOL	REMARKS
1	LT0755001	1	MAIN PCB ASSY, DCP8080DN	√	B53K992	
1	LT0839001	1	MAIN PCB ASSY, DCP8085DN EXCEPT FOR CHN	√	B53K992	
1	LT0754001	1	MAIN PCB ASSY, MFC8480DN FOR US/CAN	√	B53K992	
1	LT0753001	1	MAIN PCB ASSY, MFC8680DN	√	B53K992	
1	LT0753004	1	MAIN PCB ASSY, MFC8880DN/MFC8881DNHY EXCEPT FOR CHN, MFC8880DN RUS TENDER	√	B53K992	
1	LT0673001	1	MAIN PCB ASSY, MFC8690DW/MFC8890DW FOR US/CAN	√	B53K992	
1	LT0754004	1	MAIN PCB ASSY, MFC8480DN FOR ARG/CHL/BRA	√	B53K992	
1	LT0673004	1	MAIN PCB ASSY, MFC8890DW EXCEPT FOR US/CAN	√	B53K992	
1	LT0839020	1	MAIN PCB ASSY, DCP8085DN FOR CHN	√	B53K992	
1	LT0753020	1	MAIN PCB ASSY, MFC8880DN FOR CHN	√	B53K992	
2	LT0867001	1	NCU PCB ASSY, MFC8480DN/MFC8680DN/MFC8690DW/MFC8890DW FOR US	√	B57T013	CHG
2	LT0867003	1	NCU PCB ASSY, MFC8480DN/MFC8890DW FOR CAN	√	B57T013	CHG
2	LG5923054	1	NCU PCB ASSY, MFC8880DN/MFC8890DW FOR GER/AUS/POL/EEU	√	B53K786	
2	LG5923065	1	NCU PCB ASSY, MFC8880DN/MFC8881DNHY/MFC8890DW FOR UK/FRA/BEL/NLD/ITA/TUR/RUS/PND/IBR, MFC8880DN RUS TENDER	√	B53K786	
2	LG5923056	1	NCU PCB ASSY, MFC8880DN/MFC8890DW FOR CHE	√	B53K786	
2	LG6190005	1	NCU PCB ASSY, MFC8480DN/MFC8890CW FOR ARG/CHL, MFC8880DN FOR CHN/PHL/ASA/IND	√	B53K786	
2	LG6872003	1	NCU PCB ASSY, MFC8880DN FOR GUL	√	B53K896	
2	LG6190006	1	NCU PCB ASSY, MFC8480DN/8890DW FOR BRA	√	B53K786	
2	LG6190009	1	NCU PCB ASSY, MFC8880DN FOR KOR	√	B53K786	
2	LG6198003	1	NCU PCB ASSY, MFC8880DN/MFC8890CW FOR ARL/NZ	√	B53K786	
3	LV0292001	1	PS PCB UNIT, DCP8080DN/DCP8085DN/MFC8480DN/MFC8680DN/ MFC8690DW/MFC8890DW FOR US/CAN/BRA			
3	LV0328001	1	PS PCB UNIT, DCP8080DN/DCP8085DN/MFC8480DN/MFC8880DN/ MFC8881DNHY/MFC8890DW FOR GER/UK/FRA/BEL/NLD/CHE/AUS/ ITA/PHL/TUR/ ARG/CHL/POL/ASA/GUL/ARL/NZ/PND/IBR/EEU			
3	LU7519001	1	PS PCB UNIT, DCP8085DN/MFC8880DN FOR CHN/IND/RUS, MFC8880DN RUS TENDER			
3	LV0437001	1	PS PCB UNIT, MFC8880DN FOR KOR			
4	LJ9978001	1	HIGH-VOLTAGE PS PCB ASSY			
5	LM5867001	4	TAPTITE CUP S M3X6 SR			
6	LG5921001	1	BATTERY ASSY			

14. ACCESSORIES



LIST14(Accessories)

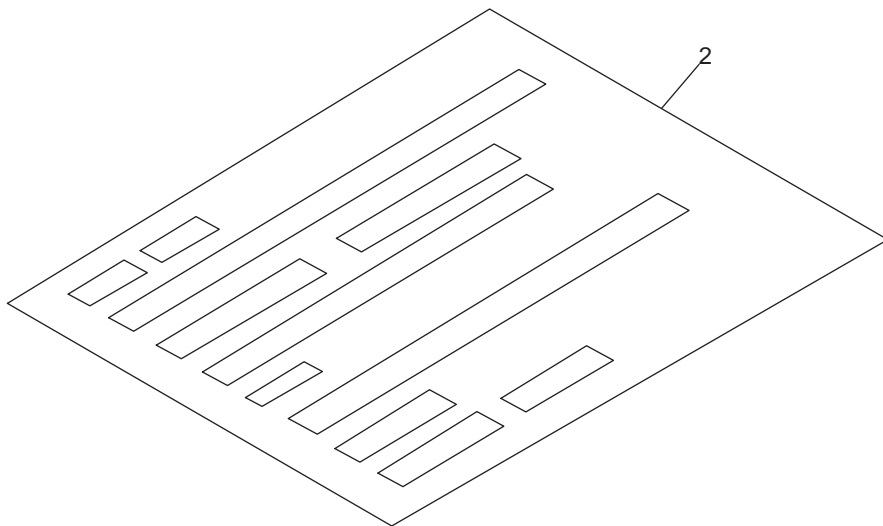
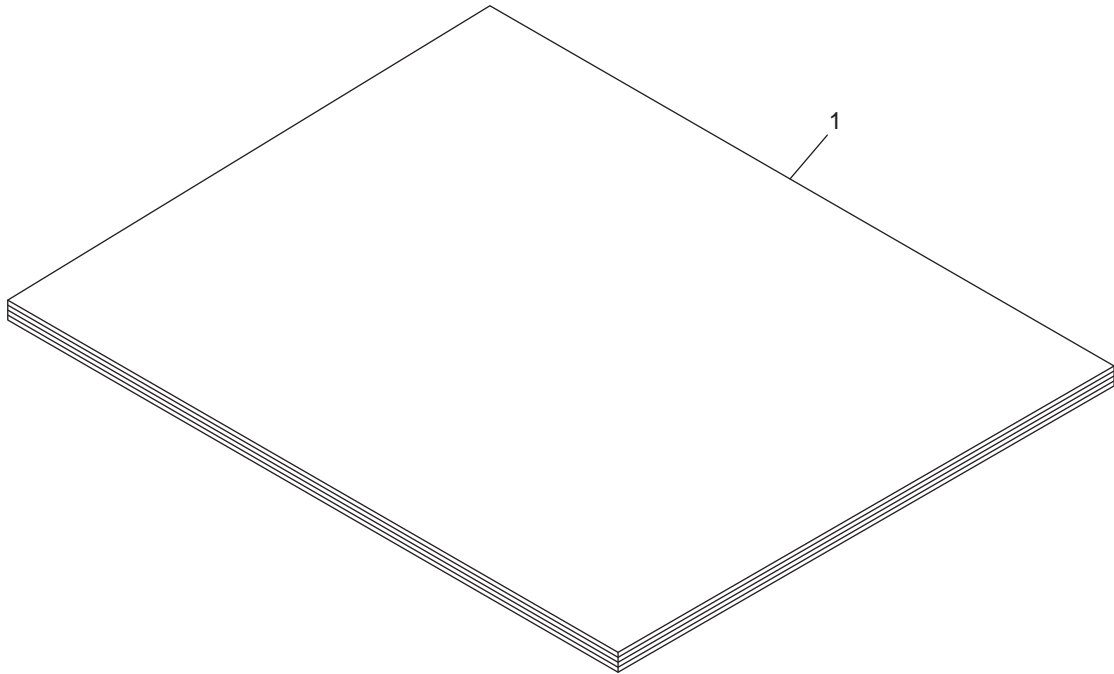
REF No.	CODE	QTY	DESCRIPTION	RECOMMEND	REMARKS
1	LG4400001	1	AC CORD BAG ASSY LF UL/CSA, DCP8080DN/DCP8085DN/MFC8480DN/ MFC8680DN FOR US/CAN		
1	LV0421001	1	AC CORD BAG ASSY LF UL/CSA, MFC8690DW/MFC8890DW FOR US/CAN		
1	LV0364001	1	AC CORD BAG ASSY LF VDE, DCP8085DN/MFC8880DN/MFC8881DNHY/ MFC8890DW FOR GER/ FRA/BEL/NLD/AUS/ITA/PHL/TUR/POL/ASA/GUL/RUS/ PND/IBR/EEU, DCP-8085DN FOR ARL/NZ, MFC8880DN RUS TENDER		chg
1	LV0368001	1	AC CORD BAG ASSY LF BS/PSB S, DCP8085DN/MFC8880DN/MFC8890DW FOR UK/ASA/GUL, DCP-8085DN FOR ARL/NZ		chg
1	LT2259001	1	AC CORD BAG ASSY LF SEV, DCP8085DN/MFC8880DN/MFC8890DW FOR CHE		chg
1	LV1093001	1	AC CORD BAG ASSY LF CHN S, DCP8085DN/MFC8880DN FOR CHN		chg
1	LT0925001	1	AC CORD BAG ASSY LF IRAM, DCP8080DN/DCP8085DN/MFC8480DN/MFC8890DW FOR ARG		
1	LG6207001	1	AC CORD BAG ASSY LF CHILE, DCP8085DN/MFC8480DN/MFC8890DW FOR CHL		
1	LG6404001	1	AC CORD BAG ASSY LF SAF, MFC8880DN FOR GUL		
1	LT2346001	1	AC CORD BAG ASSY LF BRA, DCP8080DN/DCP8085DN/MFC8480DN/MFC8890DW FOR BRA		chg
1	LT0935001	1	AC CORD BAG ASSY LF KOR, MFC8880DN FOR KOR		CHG
1	LT0613001	1	AC CORD BAG ASSY LF IND, MFC8880DN FOR IND		
1	LV0366001	1	AC CORD BAG ASSY LF SAA S, DCP8085DN/MFC8880DN/MFC8890DW FOR ARL/NZ		chg
1	LG4720001	1	AC CORD BAG ASSY LF DEMKO, DCP8085DN/MFC8880DN/MFC8890DW FOR PND		
2	LX2286001	1	CD-ROM ASSY, DCP8080DN FOR US/CAN/ARG/BRA (Windows/Macintosh)		chg
2	LS7421001	1	CD-ROM ASSY, DCP8080DN/DCP8085DN/MFC8480DN FOR US/CAN/ARG/CHL/BRA (Macintosh)		
2	LX2287001	1	CD-ROM ASSY, DCP8085DN FOR US/ARG/CHL/BRA (Windows/Macintosh)		chg
2	LS7333001	1	CD-ROM ASSY, MFC8480DN FOR US/CAN/ARG/CHL/BRA (Windows)		
2	LS7998001	1	CD-ROM ASSY, MFC8680DN FOR US (Windows)		
2	LS7999001	1	CD-ROM ASSY, MFC8680DN FOR US (Macintosh)		
2	LX2699001	1	CD-ROM ASSY, MFC8690DW FOR US (Windows/Macintosh)		
2	LS7332001	1	CD-ROM ASSY, MFC8890DW FOR US/CAN/ARG/CHL/BRA (Windows)		
2	LS7423001	1	CD-ROM ASSY, MFC8890DW FOR US/CAN/ARG/CHL/BRA (Macintosh)		
2	LX2288001	1	CD-ROM ASSY, DCP8085DN FOR GER/UK/CHE/ARL/NZ (Windows/Macintosh)		chg
2	LS7500004	4	CD-ROM ASSY, DCP8085DN FOR GER/UK/FRA/BEL/NLD/CHE/ITA/ARL/NZ/IBR (Macintosh)		del
2	LS7344001	1	CD-ROM ASSY, MFC8880DN FOR GER/UK/CHE/AUS/PHL/ASA/GUL/KOR/IND/ARL/NZ (Windows)		
2	LS7505001	1	CD-ROM ASSY, MFC8880DN/MFC8881DNHY FOR GER/UK/FRA/BEL/NLD/CHE/ AUS/ITA/PHL/ASA/GUL/KOR/ARL/NZ/IBR (Macintosh)		
2	LS7337001	1	CD-ROM ASSY, MFC8890DW FOR GER/UK/CHE/AUS/ARL/NZ (Windows)		
2	LS7502001	1	CD-ROM ASSY, MFC8890DW FOR GER/UK/FRA/BEL/NLD/CHE/AUS/ITA/ARL/NZ /IBR (Macintosh)		
2	LX2290001	1	CD-ROM ASSY, DCP8085DN FOR FRA/BEL/NLD (Windows/Macintosh)		chg
2	LS7346001	1	CD-ROM ASSY, MFC8880DN FOR FRA/BEL/NLD (Windows)		
2	LS7339001	1	CD-ROM ASSY, MFC8890DW FOR FRA/BEL/NLD (Windows)		
2	LX2289001	1	CD-ROM ASSY, DCP8085DN FOR CHE/ITA/IBR (Windows/Macintosh)		chg
2	LS7345001	1	CD-ROM ASSY, MFC8880DN/MFC8881DNHY FOR ITA/IBR (Windows)		
2	LS7338001	1	CD-ROM ASSY, MFC8890DW FOR ITA/IBR (Windows)		
2	LX2296001	1	CD-ROM ASSY, DCP8085DN FOR CHN (Windows/Macintosh)		chg
2	LS7381001	1	CD-ROM ASSY, MFC8880DN FOR CHN (Windows)		
2	LS7955001	1	CD-ROM ASSY, DCP8085DN /MFC8880DN FOR CHN (Macintosh)		
2	LX2295001	1	CD-ROM ASSY, DCP8085DN FOR TUR/RUS (Windows/Macintosh)		chg
2	LS7350001	1	CD-ROM ASSY, MFC8880DN FOR TUR/RUS, MFC8880DN RUS TENDER (Windows)		
2	LS7511004	4	CD-ROM ASSY, DCP8085DN FOR GER/UK/FRA/BEL/NLD/CHE/ITA/TUR/RUS/ ARL/NZ/PND/IBR/EEU (Macintosh)		del
2	LS7507001	1	CD-ROM ASSY, MFC8880DN FOR TUR/POL/IND/RUS/EEU, MFC8880DN RUS TENDER (Macintosh)		
2	LS7348001	1	CD-ROM ASSY, MFC8880DN FOR POL/EEU (Windows) [CZECH/HUNGARIAN/ POLISH/ENGLISH]		
2	LX2291001	1	CD-ROM ASSY, DCP8085DN FOR PND (Windows/Macintosh)		chg
2	LS7347001	1	CD-ROM ASSY, MFC8880DN FOR PND (Windows)		
2	LS7340001	1	CD-ROM ASSY, MFC8890DW FOR PND (Windows)		
2	LS7510004	4	CD-ROM ASSY, DCP8085DN FOR PND (Macintosh)		del
2	LS7506001	1	CD-ROM ASSY, MFC8880DN FOR PND (Macintosh)		

8C5D11/8C5D16/8C5D41/
8C5D51/8C5D56/8C5D57/8C5D61DCP8080DN/DCP8085DN/MFC8480DN/
MFC8680DN/MFC8690DW/MFC8880DN/
MFC8881DNHY/MFC8890DW

LIST14(Accessories)

REF No.	CODE	QTY	DESCRIPTION	RECOMMEND	REMARKS
2	LS7503001	1	CD-ROM ASSY, MFC8890DW FOR PND (Macintosh)		
2	LX2293001	1	CD-ROM ASSY, DCP8085DN FOR EEU (Windows/Macintosh) [CZECH/HUNGARIAN/POLISH/ENGLISH]		chg
2	LS7356001	1	CD-ROM ASSY, DCP8085DN FOR EEU (Windows) [BULGARIAN/ROMANIAN/ SLOVAK/GERMAN]		
2	LS7349001	1	CD-ROM ASSY, MFC8880DN FOR EEU (Windows) [BULGARIAN/ROMANIAN/ SLOVAK/GERMAN]		
3	LG3077001	1	TELEPHONE LINE CORD, MFC8480DN/MFC8680DN/MFC8690DW/MFC8880DN/MFC8890DW FOR US/CAN/UK/FRA/BEL/NLD/CHN/PHL/TUR/ARG/CHL/POL/ASA/GUL/BRA/ KOR/ IND/RUS/ARL/NZ/IBR/EEU, MFC8880DN RUS TENDER		
3	LT3878001	1	TELEPHONE LINE CORD KOR, MFC8880DN FOR KOR		add
3	UG3625001	1	TELEPHONE LINE CORD, MFC8880DN/MFC8890DW FOR GER		
3	LG7179001	1	TELEPHONE LINE CORD UK6P, MFC8880DN/MFC8890DW FOR UK		
3	UG3627001	1	TELEPHONE LINE CORD, MFC8880DN/MFC8890DW FOR FRA/NLD		
3	UG1575001	1	TELEPHONE LINE CORD, MFC8880DN/MFC8890DW FOR BEL		
3	LG7202001	1	TELEPHONE LINE CORD, MFC8880DN/MFC8890DW FOR CHE		
3	UG4205001	1	TELEPHONE LINE CORD, MFC8880DN/MFC8890DW FOR AUS		
3	UG3634001	1	TELEPHONE LINE CORD, MFC8880DN/MFC8881DNHY/MFC8890DW FOR ITA		
3	UG3290001	1	TELEPHONE LINE CORD, MFC8880DN/MFC8890DW FOR ARL/NZ		
3	LG5827001	1	TELEPHONE LINE CORD, MFC8880DN/MFC8890DW FOR PND		
4	LS7734001	1	FERRITE CORE BAG ASSY, DCP8085DN/MFC8880DN/MFC8890DW FOR GER/ UK/FRA/BEL/NLD/CHE/AUS/ITA/PHL/TUR/CHL/POL/ASA/GUL/IND/ARL/NZ/PND/ IBR/EEU, MFC8890DW FOR ARG, MFC8881DNHY		
5	LG3622001	1	TELEPHONE PLUG DUT, MFC8880DN/MFC8890DW FOR NLD		
6	LG5828001	1	TELEPHONE PLUG DEN, MFC8880DN/MFC8890DW FOR PND		
7	LG5829001	1	TELEPHONE PLUG FIN, MFC8880DN/MFC8890DW FOR PND		
8	LG5830001	1	TELEPHONE PLUG SWE, MFC8880DN/MFC8890DW FOR PND		
9	LG6573001	1	TELEPHONE PLUG ARL, MFC8880DN/MFC8890DW FOR ARL/NZ		
10	LU7653001	1	DRUM CLEANING SHEET KIT		add
11	LJ9803001	1	USB CABLE EXCEPT FOR KOR		
11	LV1518001	1	USB CABLE FOR KOR		add
12	LX2235001	1	CD-ROM ASSY, DCP8080DN/DCP8085DN/MFC8480DN/MFC8680DN/MFC8690DW/MFC8890DW FOR US/CAN/ARG/CHL/BRA (Windows7)		add
12	LX2236001	1	CD-ROM ASSY, DCP8085DN/MFC8880DN/MFC8890DW FOR GER/UK/CHE/AUS/ PHL/ASA/GUL/KOR/IND/ARL/NZ (Windows7)		add
12	LX2237001	1	CD-ROM ASSY, DCP8085DN/MFC8880DN/MFC8881DNHY/MFC8890DW FOR CHE/ITA/IBR (Windows7)		add
12	LX2243001	1	CD-ROM ASSY, DCP8085DN/MFC8880DN FOR CHN (Windows7)		add
12	LX2242001	1	CD-ROM ASSY, DCP8085DN/MFC8880DN FOR TUR/RUS, MFC8880DN RUS TENDER (Windows7)		add
12	LX2240001	1	CD-ROM ASSY, DCP8085DN/MFC8880DN FOR POL/EEU (Windows7)		add
12	LX2238001	1	CD-ROM ASSY, DCP8085DN/MFC8880DN/MFC8890DW FOR FRA/BEL/NLD (Windows7)		add
12	LX2239001	1	CD-ROM ASSY, DCP8085DN/MFC8880DN/MFC8890DW FOR PND (Windows7)		add
12	LX2241001	1	CD-ROM ASSY, DCP8085DN/MFC8880DN FOR EEU (Windows7)		add

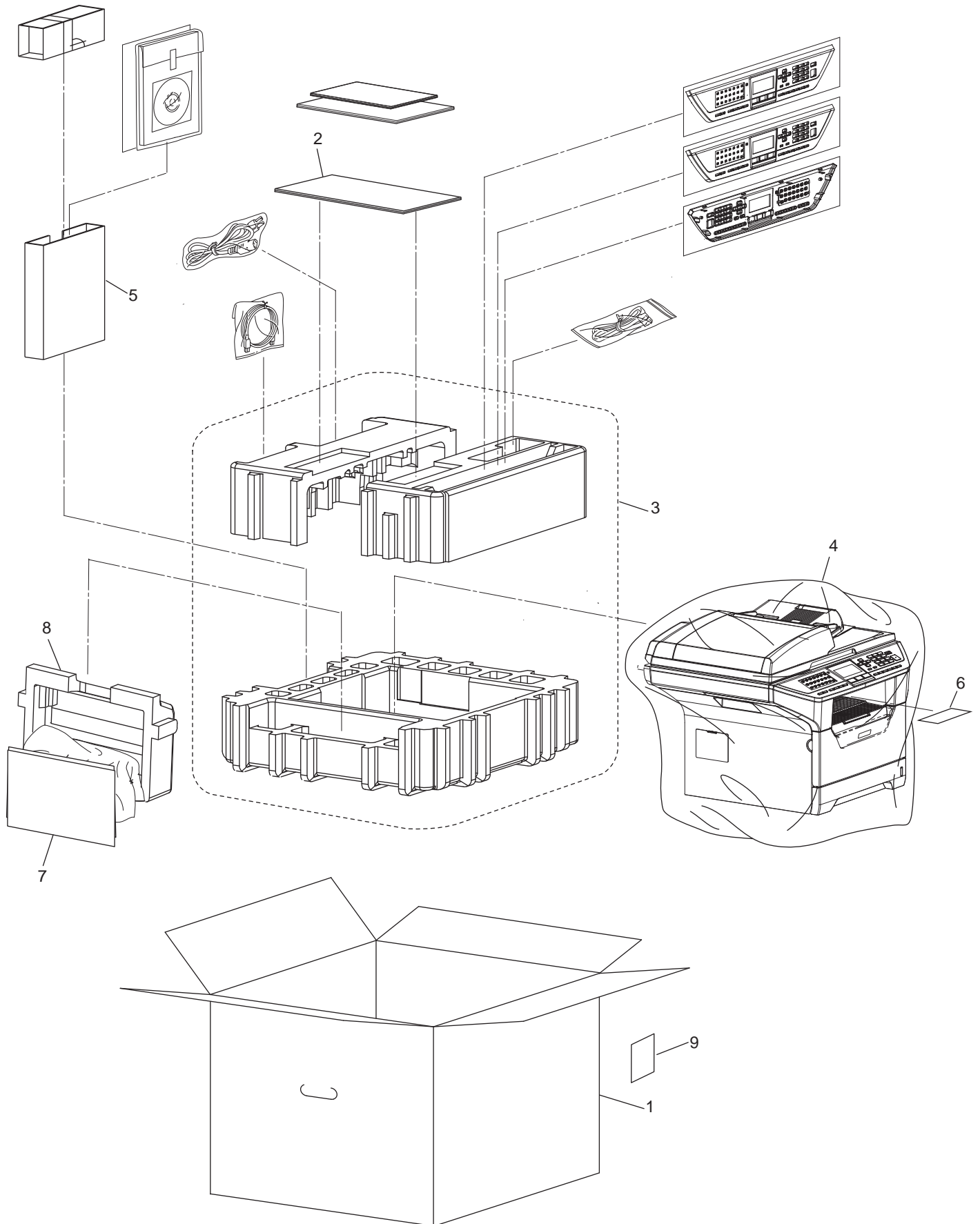
15. PRINTED MATERIALS



LIST15(PRINTED MATERIALS)

REF No.	CODE	Q'TY	DESCRIPTION	RECOMMEND	REMARKS
1	LS7435001	1	USER'S GUIDE, DCP8080DN/DCP8085DN FOR US/CAN		
1	LS7435002	1	USER'S GUIDE, DCP8080DN FOR CAN (FRENCH)		
1	LX2704001	1	USER'S GUIDE, MFC8480DN/MFC8680DN/MFC8690DW/MFC8890DW FOR US/CAN		CHG
1	LS7438002	1	USER'S GUIDE, MFC8480DN/MFC8890DW FOR CAN (FRENCH)		
1	LS7548003	1	USER'S GUIDE, MFC8880DN/MFC8890DW FOR GER/CHE/AUS		
1	LS7548004	1	USER'S GUIDE, MFC8880DN/MFC8890DW FOR UK		
1	LS7548005	1	USER'S GUIDE, MFC8880DN/MFC8890DW FOR FRA/BEL/NLD/CHE (FRENCH)		
1	LS7548009	1	USER'S GUIDE, MFC8880DN/MFC8890DW FOR FRA/BEL/NLD (DUTCH)		
1	LS7548016	1	USER'S GUIDE, MFC8880DN/MFC8881DNHY/MFC8890DW FOR CHE/ITA (ITALIAN)		
1	LX2031020	1	USER'S GUIDE, DCP8085DN FOR CHN		
1	LS7924020	1	USER'S GUIDE, MFC8880DN FOR CHN		
1	LS7548056	1	USER'S GUIDE, MFC8880DN/MFC8890DW FOR PHL/ASA/IND/ARL/NZ		
1	LS7941025	1	USER'S GUIDE, DCP8085DN FOR TUR		
1	LS7548025	1	USER'S GUIDE, MFC8880DN FOR TUR		
1	LS7435031	1	USER'S GUIDE, DCP8080DN/DCP8085DN FOR ARG/CHL		
1	LS7438031	1	USER'S GUIDE, MFC8480DN/MFC8890DW FOR ARG/CHL		
1	LS7548041	1	USER'S GUIDE, MFC8880DN FOR GUL		
1	LS7435042	1	USER'S GUIDE, DCP8080DN/DCP8085DN FOR BRA		
1	LS7438042	1	USER'S GUIDE, MFC8480DN/MFC8890DW FOR BRA		
1	LS7548048	1	USER'S GUIDE, MFC8880DN FOR RUS, MFC8880DN RUS TENDER		
1	LS7941056	1	USER'S GUIDE, DCP8085DN FOR ARL/NZ		
1	LS7666007	1	USER'S GUIDE, MFC8880DN/MFC8890DW FOR PND (NORWEGIAN/SWEDISH)		
1	LS7666013	1	USER'S GUIDE, MFC8880DN/MFC8890DW FOR PND (DANISH/FINNISH)		
1	LS7548015	1	USER'S GUIDE, MFC8880DN/MFC8890DW FOR IBR (SPANISH)		
1	LS7548018	1	USER'S GUIDE, MFC8880DN/MFC8890DW FOR IBR (PORTUGUESE)		
2	LS7417001	1	FRENCH SEAL, DCP8080DN FOR CAN		
2	LS7418001	1	FRENCH SEAL, MFC8480DN/MFC8890DW FOR CAN		

16. PACKING MATERIALS



LIST16(PACKING MATERIALS)

REF No.	CODE	QTY	DESCRIPTION	RECOMMEND	REMARKS
1	LS7444001	1	CARTON BROTHER, DCP8080DN FOR US	√	
1	LS7453001	1	CARTON BROTHER, DCP8085DN FOR US	√	
1	LS7489001	1	CARTON BROTHER, MFC8480DN FOR US	√	
1	LX2017001	1	CARTON BROTHER, MFC8680DN FOR US	√	
1	LX2695001	1	CARTON BROTHER, MFC8690DW FOR US	√	
1	LS7480001	1	CARTON BROTHER, MFC8890DW FOR US	√	
1	LS7448001	1	CARTON BROTHER, DCP8080DN FOR CAN	√	
1	LS7494001	1	CARTON BROTHER, MFC8480DN FOR CAN	√	
1	LS7484001	1	CARTON BROTHER, MFC8890DW FOR CAN	√	
1	LS7587001	1	CARTON BROTHER, DCP8085DN FOR GER/UK/FRA/BEL/NLD/CHE/ITA/RUS/PND/IBR/EEU	√	
1	LS7549001	1	CARTON BROTHER, MFC8880DN FOR GER/UK/FRA/BEL/NLD/CHE/AUS/ITA/POL/RUS/PND/IBR/EEU, MFC8880DN RUS TENDER	√	
1	LS7624001	1	CARTON BROTHER, MFC8890DW FOR GER/UK/FRA/BEL/NLD/CHE/AUS/ITA/PND/IBR	√	
1	LX2199001	1	CARTON BROTHER, MFC8881DNHY	√	
1	LS7906001	1	CARTON BROTHER, DCP8085DN FOR CHN	√	
1	LS7909001	1	CARTON BROTHER, MFC8880DN FOR CHN	√	
1	LX2501001	1	CARTON BROTHER, MFC8880DN FOR PHL/ASA/GUL	√	add
1	LS7883001	1	CARTON BROTHER, DCP8085DN FOR TUR	√	
1	LS7903001	1	CARTON BROTHER, MFC8880DN FOR TUR	√	
1	LS7835001	1	CARTON BROTHER, DCP8080DN FOR ARG	√	
1	LS7836001	1	CARTON BROTHER, DCP8085DN FOR ARG/CHL	√	
1	LS7834001	1	CARTON BROTHER, MFC8480DN FOR ARG/CHL	√	
1	LS7833001	1	CARTON BROTHER, MFC8890DW FOR ARG/CHL	√	
1	LS7530001	1	CARTON BROTHER, DCP8080DN FOR BRA	√	
1	LS7531001	1	CARTON BROTHER, DCP8085DN FOR BRA	√	
1	LS7533001	1	CARTON BROTHER, MFC8480DN FOR BRA	√	
1	LS7535001	1	CARTON BROTHER, MFC8890DW FOR BRA	√	
1	LX2826001	1	CARTON BROTHER, MFC8880DN FOR KOR	√	chg
1	LS7904001	1	CARTON BROTHER, MFC8880DN FOR IND	√	
1	LS7882001	1	CARTON BROTHER, DCP8085DN FOR ARL/NZ	√	
1	LS7902001	1	CARTON BROTHER, MFC8880DN FOR ARL/NZ	√	
1	LS7905001	1	CARTON BROTHER, MFC8890DW FOR ARL/NZ	√	
2	LS7449001	1	QUICK SETUP GUIDE, DCP8080DN/DCP8085DN FOR US/CAN (ENGLISH)		
2	LX2021001	1	QUICK SETUP GUIDE, MFC8480DN/MFC8680DN FOR US/CAN (ENGLISH)		chg
2	LX2702001	1	QUICK SETUP GUIDE, MFC8690DW/MFC8890DW FOR US/CAN (ENGLISH)		chg
2	LS7449002	1	QUICK SETUP GUIDE, DCP8080DN FOR CAN (FRENCH)		
2	LS7493002	1	QUICK SETUP GUIDE, MFC8480DN FOR CAN (FRENCH)		
2	LS7450002	1	QUICK SETUP GUIDE, MFC8890DW FOR CAN (FRENCH)		
2	LS7588003	1	QUICK SETUP GUIDE, DCP8085DN FOR GER/CHE		
2	LS7550003	1	QUICK SETUP GUIDE, MFC8880DN FOR GER/CHE/AUS		
2	LS7626003	1	QUICK SETUP GUIDE, MFC8890DW FOR GER/CHE/AUS		
2	LS7588004	1	QUICK SETUP GUIDE, DCP8085DN FOR UK		
2	LS7550004	1	QUICK SETUP GUIDE, MFC8880DN FOR UK		
2	LS7626004	1	QUICK SETUP GUIDE, MFC8890DW FOR UK		
2	LS7588005	1	QUICK SETUP GUIDE, DCP8085DN FOR FRA/BEL/NLD/CHE (FRENCH)		
2	LS7550005	1	QUICK SETUP GUIDE, MFC8880DN FOR FRA/BEL/NLD/CHE (FRENCH)		
2	LS7626005	1	QUICK SETUP GUIDE, MFC8890DW FOR FRA/BEL/NLD/CHE (FRENCH)		
2	LS7588009	1	QUICK SETUP GUIDE, DCP8085DN FOR FRA/BEL/NLD (DUTCH)		
2	LS7550009	1	QUICK SETUP GUIDE, MFC8880DN FOR FRA/BEL/NLD (DUTCH)		
2	LS7626009	1	QUICK SETUP GUIDE, MFC8890DW FOR FRA/BEL/NLD (DUTCH)		
2	LS7588016	1	QUICK SETUP GUIDE, DCP8085DN FOR CHE/ITA(ITALIAN)		
2	LS7550016	1	QUICK SETUP GUIDE, MFC8880DN/MFC8881DNHY FOR CHE/ITA (ITALIAN)		
2	LS7626016	1	QUICK SETUP GUIDE, MFC8890DW FOR CHE/ITA (ITALIAN)		
2	LX2041020	1	QUICK SETUP GUIDE, DCP8085DN FOR CHN		
2	LS7925020	1	QUICK SETUP GUIDE, MFC8880DN FOR CHN		
2	LS7550045	1	QUICK SETUP GUIDE, MFC8880DN FOR PHL/ASA/IND/ARL/NZ		
2	LS7588025	1	QUICK SETUP GUIDE, DCP8085DN FOR TUR		
2	LS7550025	1	QUICK SETUP GUIDE, MFC8880DN FOR TUR		

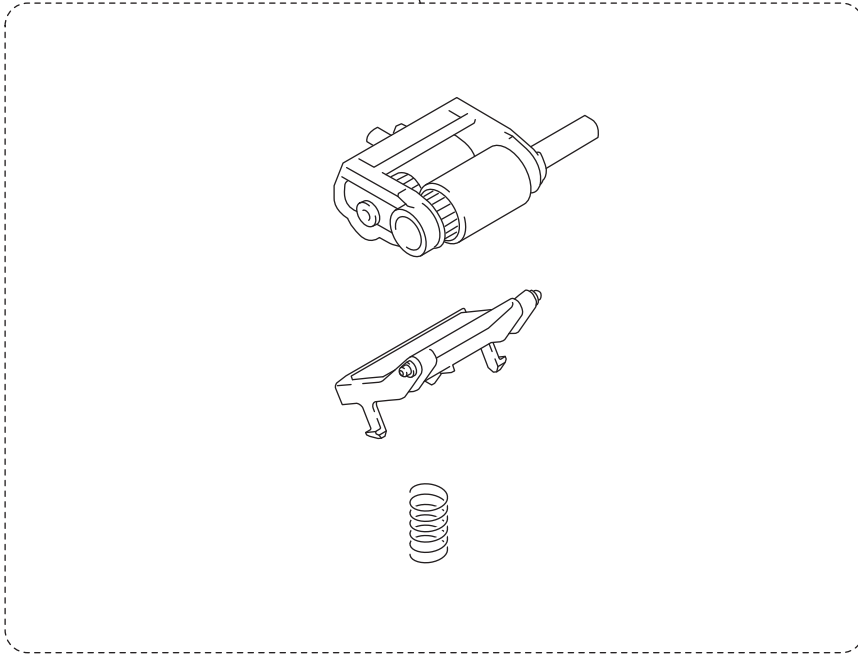
8C5D11/8C5D16/8C5D41/
8C5D51/8C5D56/8C5D57/8C5D61DCP8080DN/DCP8085DN/MFC8480DN/
MFC8680DN/MFC8690DW/MFC8880DN/
MFC8881DNHY/MFC8890DW

LIST16(PACKING MATERIALS)

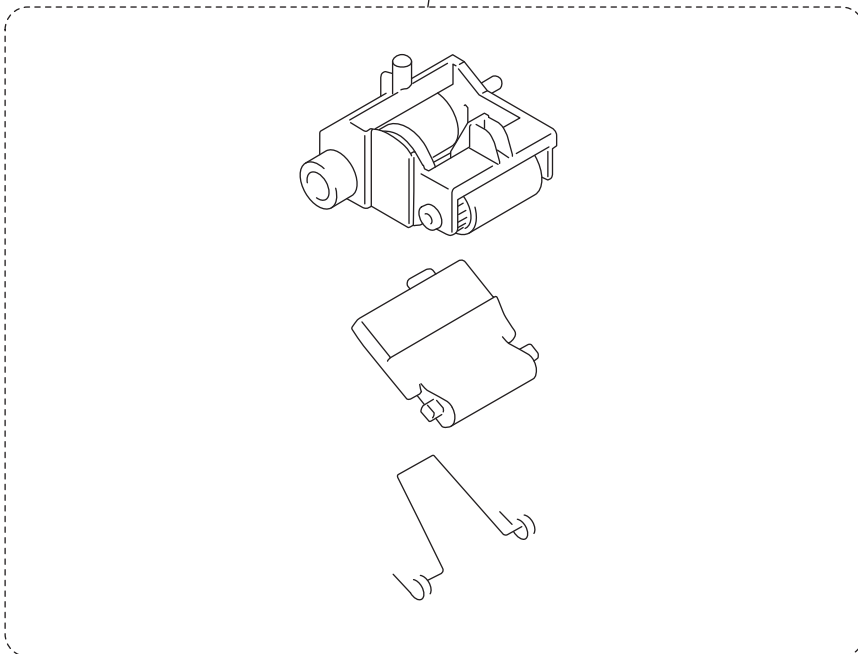
REF No.	CODE	Q'TY	DESCRIPTION	RECOMMEND	REMARKS
2	LS7449031	1	QUICK SETUP GUIDE, DCP8080DN/DCP8085DN FOR ARG/CHL		
2	LS7493031	1	QUICK SETUP GUIDE, MFC8480DN FOR ARG/CHL		
2	LS7450031	1	QUICK SETUP GUIDE, MFC8890DW FOR ARG/CHL		
2	LS7550039	1	QUICK SETUP GUIDE, MFC8880DN FOR POL		
2	LS7550041	1	QUICK SETUP GUIDE, MFC8880DN FOR GUL		
2	LS7449042	1	QUICK SETUP GUIDE, DCP8080DN/DCP8085DN FOR BRA		
2	LS7493042	1	QUICK SETUP GUIDE, MFC8480DN FOR BRA		
2	LS7450042	1	QUICK SETUP GUIDE, MFC8890DW FOR BRA		
2	LS7588048	1	QUICK SETUP GUIDE, DCP8085DN FOR RUS		
2	LS7550048	1	QUICK SETUP GUIDE, MFC8880DN FOR RUS, MFC8880DN RUS TENDER		
2	LS7588056	1	QUICK SETUP GUIDE, DCP8085DN FOR ARL/NZ		
2	LS7626056	1	QUICK SETUP GUIDE, MFC8890DW FOR ARL/NZ		
2	LS7588007	1	QUICK SETUP GUIDE, DCP8085DN FOR PND (NORWEGIAN)		
2	LS7588012	1	QUICK SETUP GUIDE, DCP8085DN FOR PND (FINNISH)		
2	LS7588013	1	QUICK SETUP GUIDE, DCP8085DN FOR PND (DANISH)		
2	LS7588026	1	QUICK SETUP GUIDE, DCP8085DN FOR PND (SWEDISH)		
2	LS7550007	1	QUICK SETUP GUIDE, MFC8880DN FOR PND (NORWEGIAN)		
2	LS7550012	1	QUICK SETUP GUIDE, MFC8880DN FOR PND (FINNISH)		
2	LS7550013	1	QUICK SETUP GUIDE, MFC8880DN FOR PND (DANISH)		
2	LS7550026	1	QUICK SETUP GUIDE, MFC8880DN FOR PND (SWEDISH)		
2	LS7626007	1	QUICK SETUP GUIDE, MFC8890DW FOR PND (NORWEGIAN)		
2	LS7626012	1	QUICK SETUP GUIDE, MFC8890DW FOR PND (FINNISH)		
2	LS7626013	1	QUICK SETUP GUIDE, MFC8890DW FOR PND (DANISH)		
2	LS7626026	1	QUICK SETUP GUIDE, MFC8890DW FOR PND (SWEDISH)		
2	LS7588015	1	QUICK SETUP GUIDE, DCP8085DN FOR IBR (SPANISH)		
2	LS7550015	1	QUICK SETUP GUIDE, MFC8880DN FOR IBR (SPANISH)		
2	LS7626015	1	QUICK SETUP GUIDE, MFC8890DW FOR IBR (SPANISH)		
2	LS7588018	1	QUICK SETUP GUIDE, DCP8085DN FOR IBR (PORTUGUESE)		
2	LS7550018	1	QUICK SETUP GUIDE, MFC8880DN FOR IBR (PORTUGUESE)		
2	LS7626018	1	QUICK SETUP GUIDE, MFC8890DW FOR IBR (PORTUGUESE)		
2	LS7588037	1	QUICK SETUP GUIDE, DCP8085DN FOR EEU (CZECH/HUNGARIAN/POLISH)		
2	LS7588059	1	QUICK SETUP GUIDE, DCP8085DN FOR EEU (ENGLISH/BULGARIAN/ ROMANIAN/SLOVAK)		
2	LS7550037	1	QUICK SETUP GUIDE, MFC8880DN FOR EEU (CZECH/HUNGARIAN/POLISH)		
2	LS7550059	1	QUICK SETUP GUIDE, MFC8880DN FOR EEU (ENGLISH/BULGARIAN/ ROMANIAN/SLOVAK)		
3	LP2456001	1	POLYSTYRENE FORM PAD ASSY		
4	UE1688001	1	PE BAG 1000X1000H		
5	LF9725001	1	CARTON OPTION		
6	LL0696001	1	SHEET 70X110		
7	LX2368001	1	DRUM UNIT SPONGE ASSY		chg
8	LP2460001	1	POLYSTYRENE FOAM PAD DRUM		
9	LX2768001	1	CHINA ENERGY LABEL, DCP8085DN FOR CHN		ADD
9	LX2770001	1	CHINA ENERGY LABEL, MFC8880DN FOR CHN		ADD

17. OTHERS

1



2



LIST17(OTHERS)

REF No.	CODE	Q'TY	DESCRIPTION	RECOMMEND	REMARKS
1	LU7338001	1	ROLLER HOLDER SP ASSY		
2	LU7339001	1	MP ROLLER HOLDER SP ASSY		