

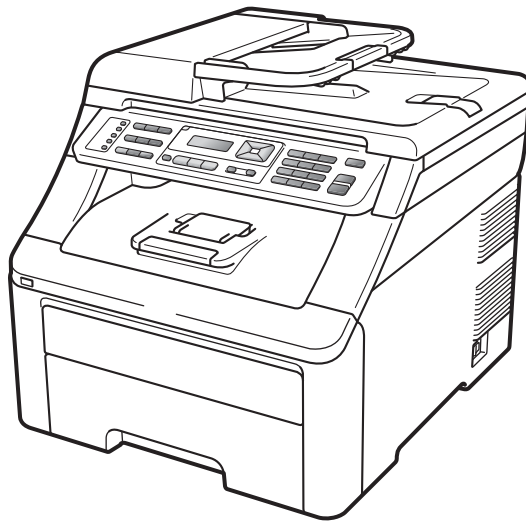


# FAX/MFC PARTS REFERENCE LIST

---

---

**MODEL:**  
**DCP-9010CN / MFC-9010CN**  
**MFC-9120CN / MFC-9125CN**  
**MFC-9320CW / MFC-9325CW**



Read this list thoroughly before maintenance work.

Keep this list in a convenient place for quick and easy reference at all times.

# NOTE FOR USING THIS PARTS REFERENCE LIST

1. In the case of ordering parts, it is necessary to mention the following items;

- (1) Code
- (2) Q'ty
- (3) Description
- (4) Symbol ( PCB No. etc )

Note: Orders without Parts Code or Tool No. can not be accepted.

< Example >

REF.NO.	(1) CODE	(2) Q'TY	(3) DESCRIPTION	(4) SYMBOL	REMARK

2. Design-changed parts :

If any of the parts is changed, one of the following symbols is indicated in the REMARK column.

CHG(chg) : The parts is changed to a new parts.

ADD(add) : The parts is newly added.

DEL(del) : The parts is deleted.

Symbol in capital letters indicates the latest parts change information in the page.

3. Parts change will be informed by the Parts change information.

4. Parts are subject to change in design without prior notice.

## COUNTRIES

U.S.A. ---- US

CANADA ---- CAN

GERMANY ---- GER

UNITED KINGDOM --- U.K.

FRANCE ---- FRA

BELGIUM ---- BEL

NETHERLANDS ---- NLD

AUSTRIA ---- AUS

SWITZERLAND ---- CHE

SPAIN ---- SPA

ITALY ---- ITA

ISRAEL ---- ISR

PORTUGAL ---- POR

CHINA ---- CHN

ARGENTINA ---- ARG

CHILE ---- CHL

POLAND ---- POL

SINGAPORE ---- SGP

GULF ---- GUL

BRAZIL ---- BRA

KOREA ---- KOR

INDIA ---- IND

RUSSIA ---- RUS

AUSTRALIA / NEW ZEALAND ---- ARL/NZ

PAN-NORDIC ---- PND

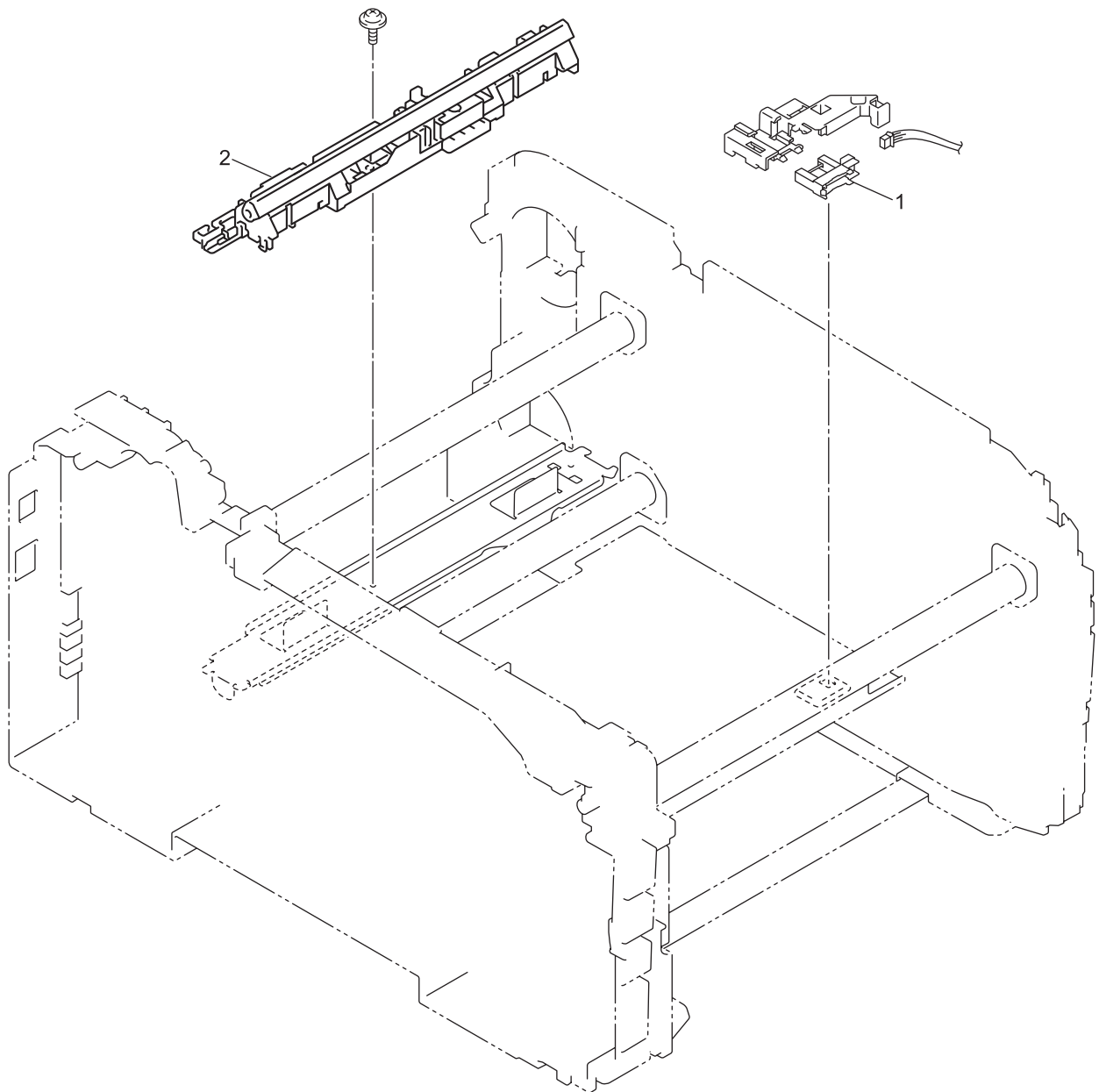
IBERIA ---- IBR (SPAIN&PORTUGAL)

CEE-GENERAL ---- CEE

# CONTENTS

1.	<u>ENGINE FRAME UNIT</u> .....	1
2.	<u>FRAME L &amp; DRIVE UNIT</u> .....	3
3.	<u>FRAME R UNIT</u> .....	5
4.	<u>FRAME</u> .....	7
5.	<u>LED JOINT COVER</u> .....	9
6.	<u>PAPER FEEDER</u> .....	11
7.	<u>PAPER CASSETTE</u> .....	13
8.	<u>FUSER UNIT</u> .....	15
9.	<u>COVERS</u> .....	17
10.	<u>DOCUMENT SCANNER</u> .....	19
11.	<u>ADF</u> .....	21
12.	<u>PANEL</u> .....	23
13.	<u>PCB</u> .....	26
14.	<u>ACCESSORIES</u> .....	28
15.	<u>PRINTED MATERIALS</u> .....	31
16.	<u>PACKING MATERIALS</u> .....	33
17.	<u>MAINTENANCE PARTS</u> .....	36

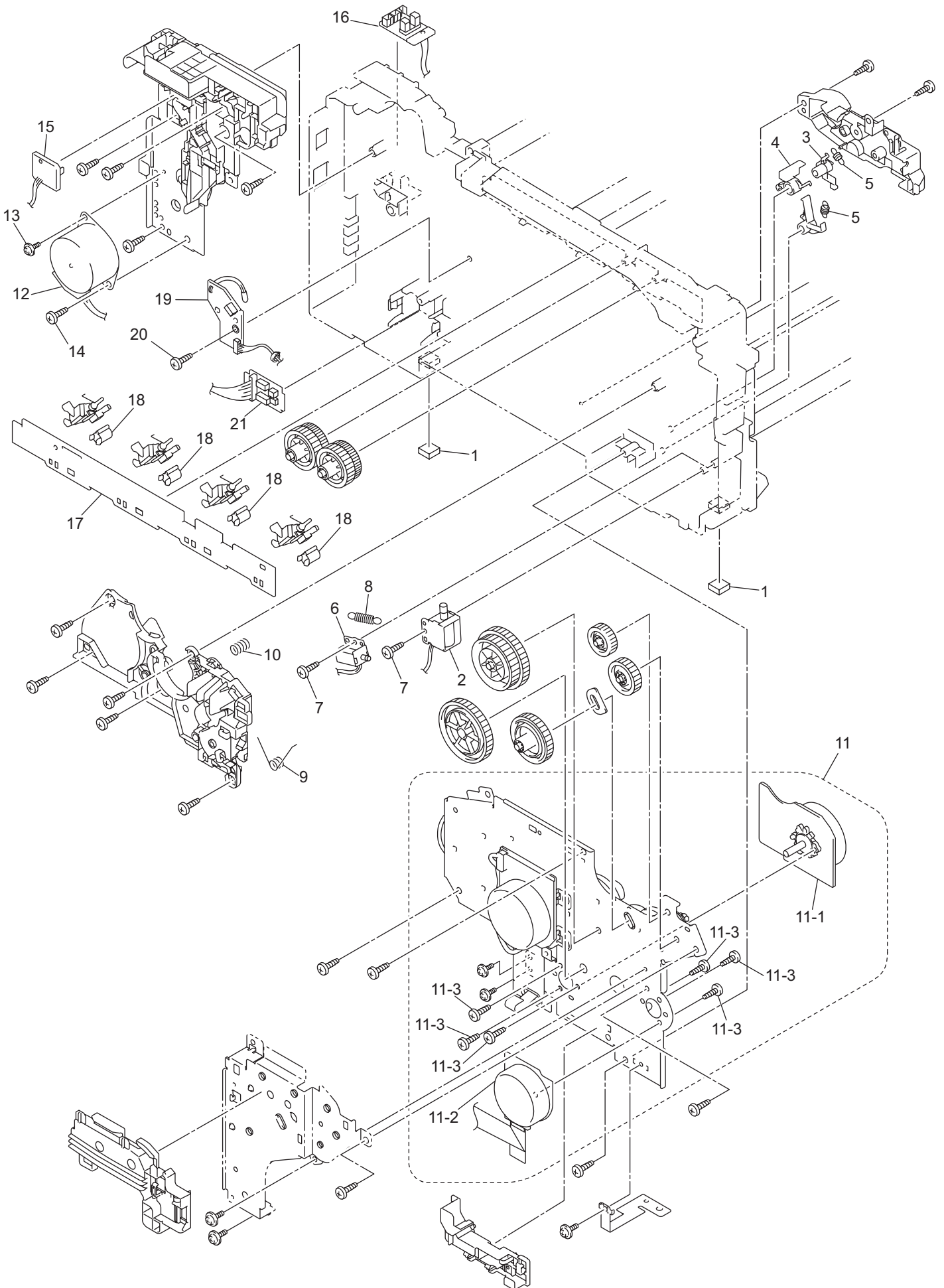
# 1.ENGINE FRAME UNIT



1. ENGINE FRAME UNIT

REF No.	CODE	Q'TY	DESCRIPTION	REMARKS
1	LM9221001	1	WASTE TONER SENSOR	
2	LU6705001	1	REGISTRATION SENSOR HOLDER ASSY	CHG
3	<del>LV0144001</del>	1	<del>REGISTRATION MARK R PCB ASSY</del>	del
4	LU5694001	2	TAPTITE BIND B M3X10	del

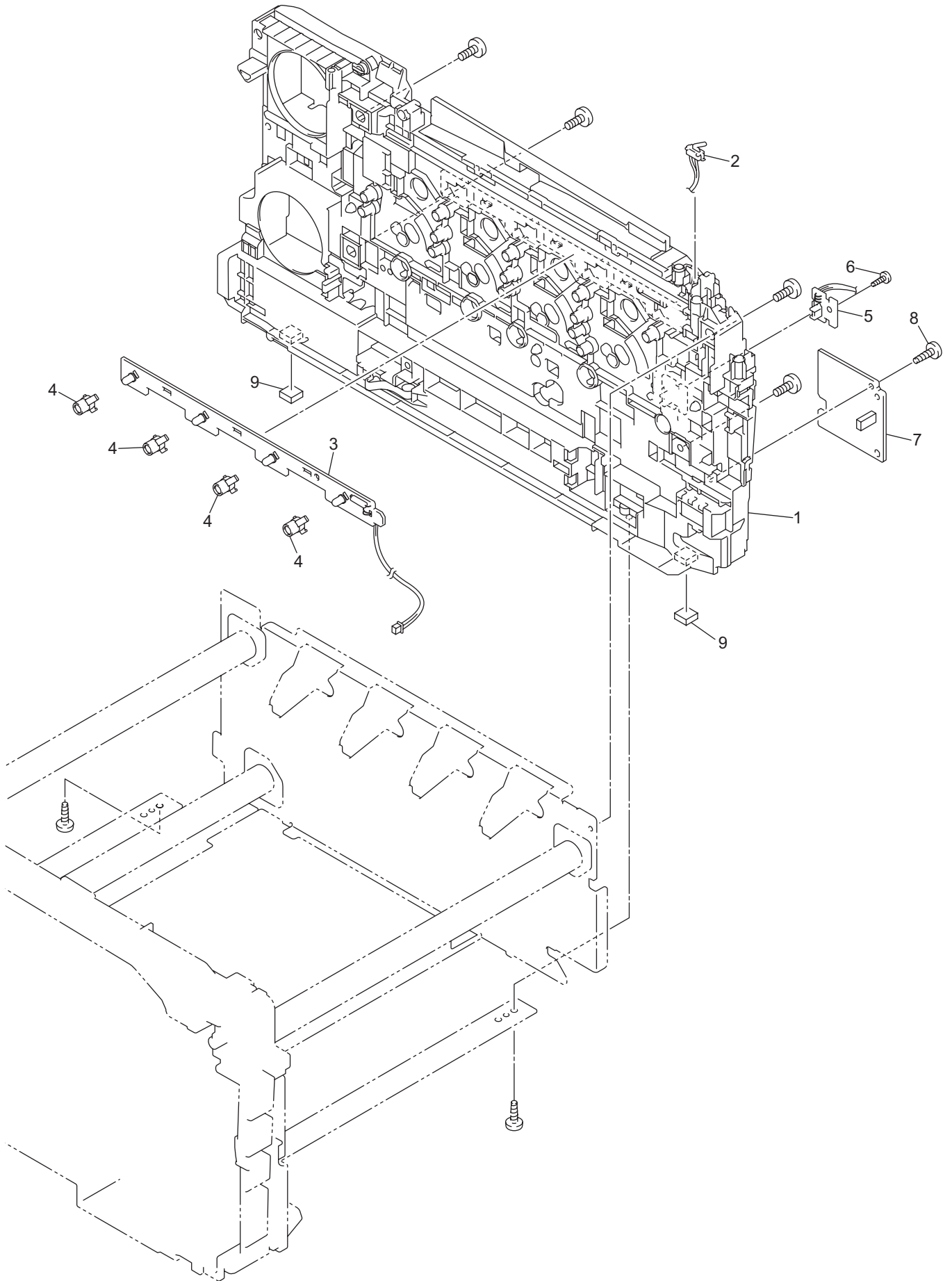
## 2.FRAME L & DRIVE UNIT



2. FRAME L & DRIVE UNIT

REF No.	CODE	Q'TY	DESCRIPTION	REMARKS
1	LU5114001	2	RUBBER FOOT	
2	LU5084001	1	PF REGISTRATION SOLENOID	
3	LU6489001	1	LM HOOK B	CHG
4	LU5094001	1	LM HOOK C	
5	LR0910001	2	HOOK SPRING BC10	
6	LU5102001	1	PICK-UP SOLENOID	
7	LU5694001	2	TAPTITE BIND B M3X10	
8	LU2032001	1	PICK-UP SOLENOID LEVER SPRING	
9	LU5104001	1	PICK-UP SECTOR GEAR SPRING	
10	LU5098001	1	FRICITION SPRING	
11	LU5115001	1	DRUM DEVELOP DRIVE UNIT	
11-1	LU5123001	1	DEVELOP DRIVE MOTOR	
11-2	LU5160001	1	PAPER FEED MOTOR ASSY	
11-3	000300416	6	SCREW BIND M3X4	
12	LU5148001	1	FUSER/EJECT DRIVE MOTOR	
13	LU5691001	1	TAPTITE CUP S M3X6 SR	
14	LU5693001	1	TAPTITE BIND B M4X12	
15	LV0140001	1	FUSER/EJECT DRIVE MOTOR SENSOR PCB ASSY	
16	LV0136001	1	EJECT FRONT SENSOR PCB ASSY	
17	LV0137001	1	TONER/NEW SENSOR PCB ASSY	
18	UL9037001	4	PT SENSOR HOLDER	
19	LT1028001	1	DRUM MOTOR ORIGIN SENSOR PCB ASSY	
20	LU5694001	1	TAPTITE BIND B M3X10	
21	LV0139001	1	REGISTRATION MARK RELAY PCB ASSY	

### 3.FRAME R UNIT

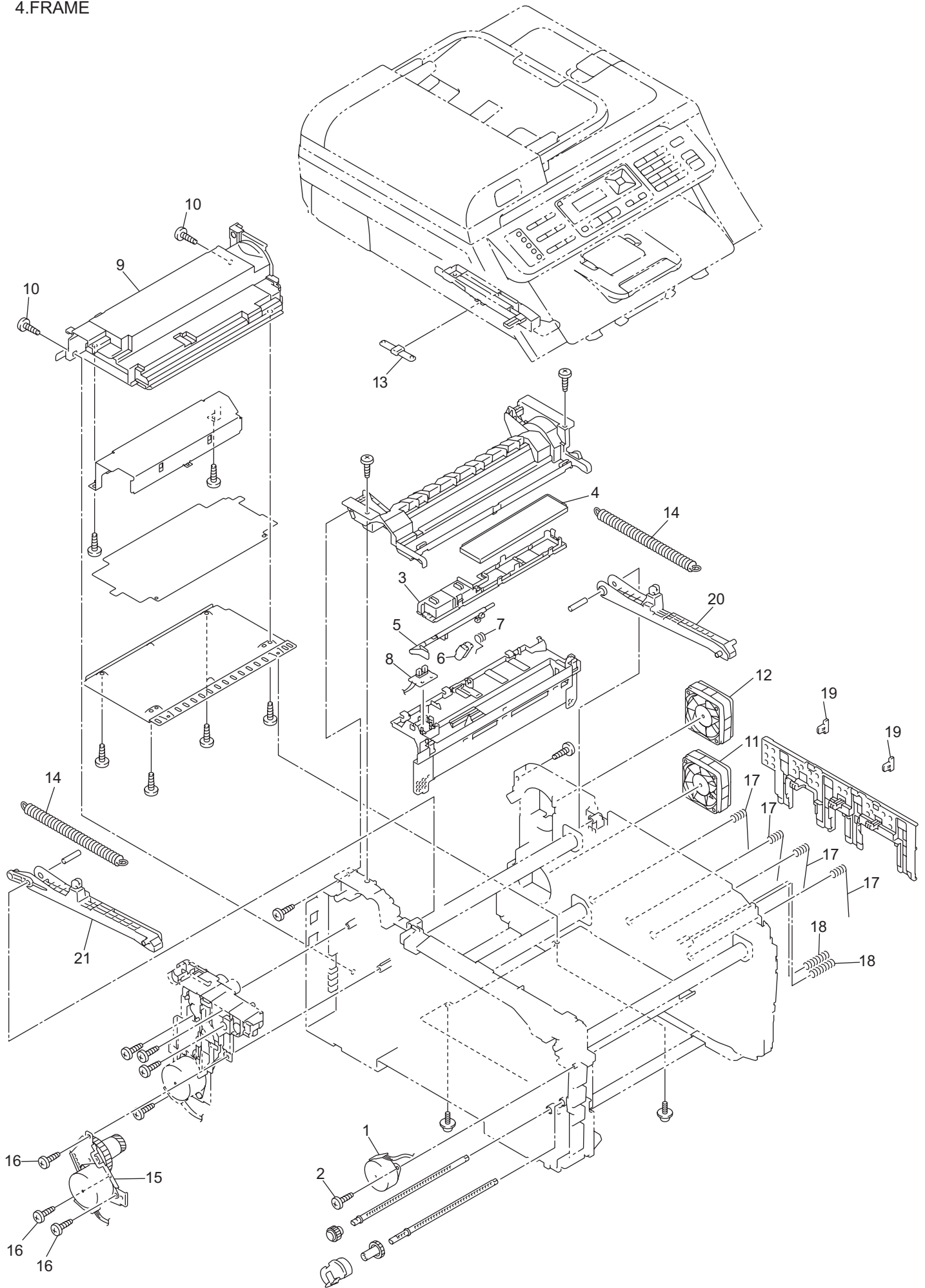




3. FRAME R UNIT

REF No.	CODE	Q'TY	DESCRIPTION	REMARKS
1	LU5169001	1	SIDE FRAME R	
2	LV0183001	1	TOP COVER OPEN SWITCH HARNESS ASSY	
3	LV0152001	1	TONER LED PCB ASSY	
4	LU5170001	4	LED HOLDER	
5	LV0188001	1	DEVELOP RELEASE SENSOR PCB ASSY	
6	UU0552001	1	TAPTITE CAP B 3X8	
7	LV0149001	1	HVPS CONTROL PCB ASSY	
8	Z07200001	1	TAPTITE PAN (S/P W) B M3X10	
9	LU5114001	2	RUBBER FOOT	

# 4.FRAME



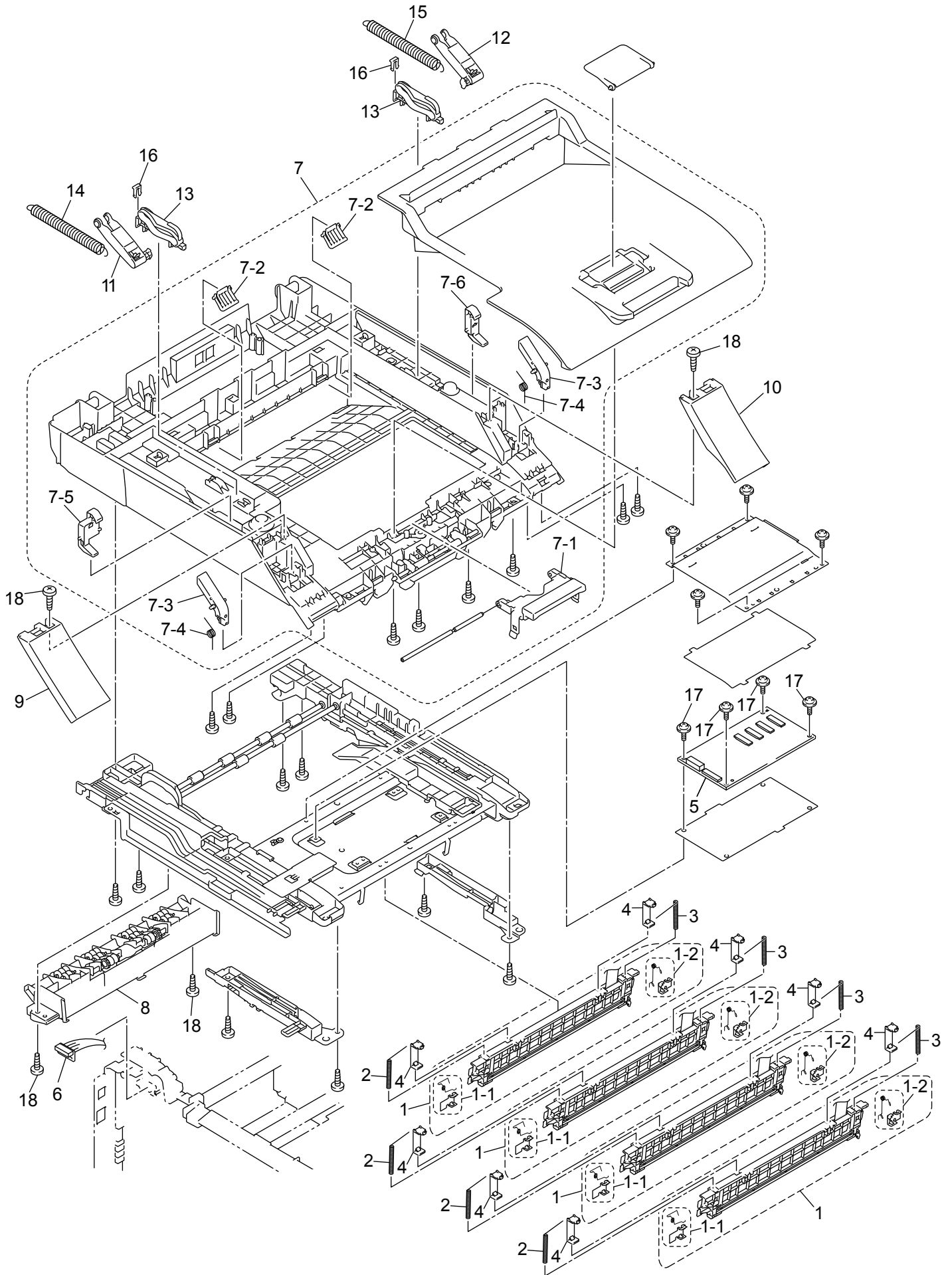
4. FRAME

REF No.	CODE	Q'TY	DESCRIPTION	REMARKS
1	LU5181001	1	DEVELOP RELEASE MOTOR ASSY	
2	085320516	1	TAPTITE BIND S M3X5	
3	LU5190001	1	AIR FILTER HOLDER ASSY, DCP9010CN/MFC9010CN/MFC9120CN/MFC9125CN/ MFC9320CW/MFC9325CW EXCEPT FOR IND	CHG
3	LU6525001	1	AIR FILTER HOLDER ASSY, DCP9010CN/MFC9010CN/MFC9120CN FOR IND	
4	LS8811001	1	OZONE FILTER ASSY	chg
5	LU5187001	1	PAPER EJECT ACTUATOR	
6	LU5188001	1	PAPER EJECT ACTUATOR TOP	
7	LU5189001	1	PAPER EJECT ACTUATOR SPRING	
8	LV0141001	1	EJECT REAR SENSOR PCB ASSY	
9	LS8056001	1	LVPS COVER	
10	LU5693001	2	TAPTITE BIND B M4X12	
11	LU5200001	1	LV FAN ASSY	
12	LU5202001	1	MAIN FAN ASSY	
13	LU5216001	1	ARM GUIDE L COVER	
14	LS8003001	2	TC ARM SPRING	
15	LU5227001	1	BELT DRIVE UNIT	
16	LU6109001	3	TAPTITE PAN(WASHER)B M4X12DA	
17	LU5172001	4	TR HEAD SPRING	
18	LU5177001	2	BELT CLEANER SPRING	
19	LU6330001	2	SPACER	
20	LS8132001	1	TOP COVER ARM R	
21	LS8131001	1	TOP COVER ARM L	

8CE203, 8CE204, 8CE213,  
8CE217, 8CE233, 8CE237

DCP9010CN, MFC9010CN,  
MFC9120CN, MFC9125CN,  
MFC9320CW, MFC9325CW

5.LED JOINT COVER



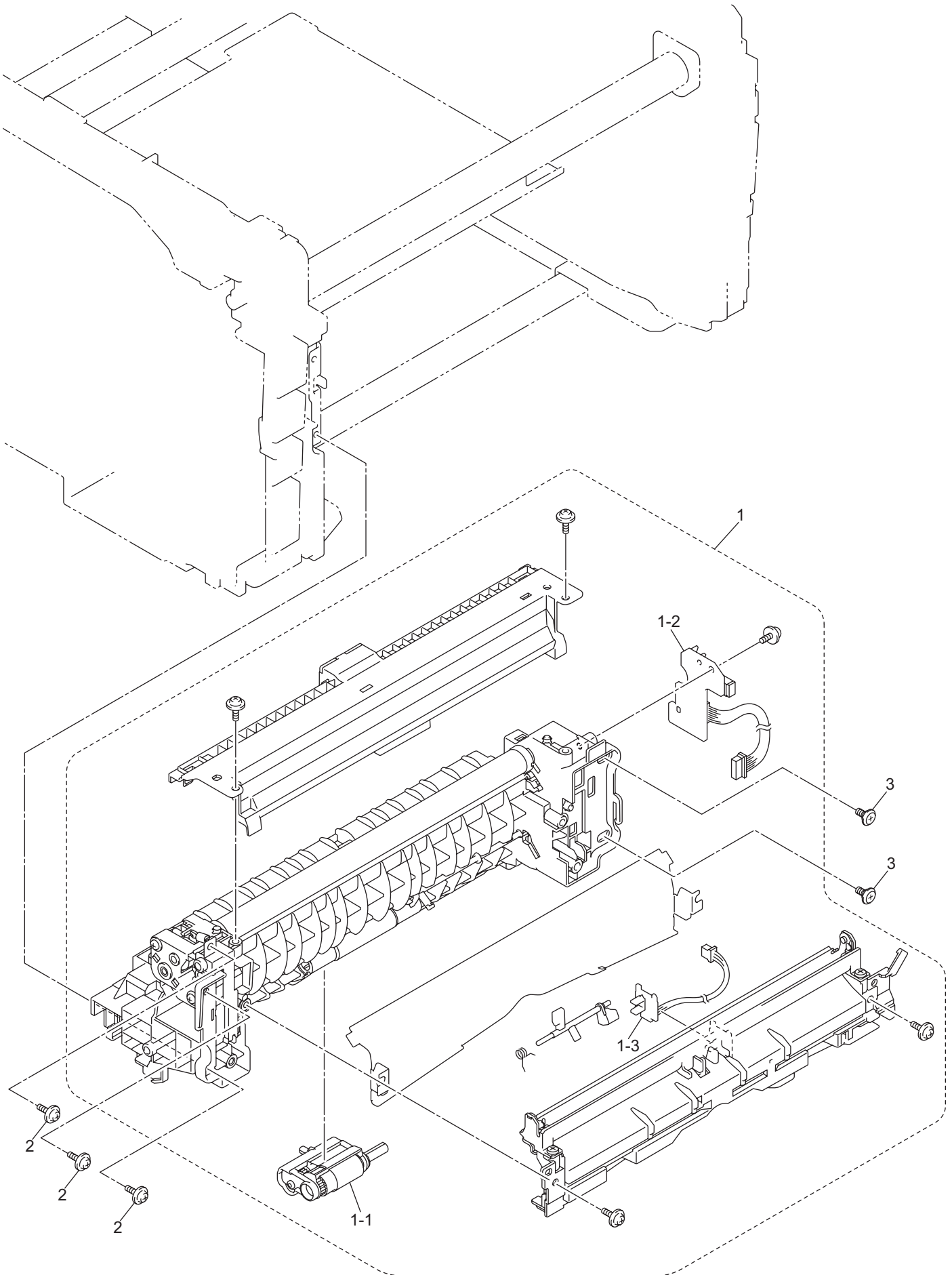
5. LED JOINT COVER

REF No.	CODE	Q'TY	DESCRIPTION	REMARKS
1	LU5831001	4	LED ASSY (SP)	
1-1	LU6592001	4	EARTH SPRING L (SP)	CHG
1-2	LU6593001	4	EARTH SPRING R (SP)	CHG
2	LU5253001	4	Z SPRING L	
3	LU6063001	4	Z SPRING R	
4	LU6238001	8	HOLDER HOOK *1	
4	LU6535001	8	HOLDER HOOK 2 *1	add
5	LV0441001	1	LED HEAD CONTROL PCB ASSY	
6	LT0886001	1	LED POWER RELAY PCB ASSY	
7	LS8009001	1	JOINT COVER SUB ASSY, DCP9010CN/MFC9010CN	
7	LS8147001	1	JOINT COVER SUB ASSY, MFC9120CN/MFC9320CW	
7	LS8147002	1	JOINT COVER SUB ASSY, MFC9125CN/MFC9325CW	
7-1	LS8018001	1	TC RELEASE LEVER, DCP9010CN/MFC9010CN/MFC9120CN/MFC9320CW	
7-1	LS8018002	1	TC RELEASE LEVER, MFC9125CN/MFC9325CW	
7-2	LU6067001	2	PAPER STACK LEVER ASSY	
7-3	LS8021001	2	JOINT COVER LOCK LEVER	
7-4	LS8022001	2	JOINT COVER LOCK SPRING	
7-5	LS8023001	1	FB LOCK LEVER L	
7-6	LS8024001	1	FB LOCK LEVER R	
8	LS8029001	1	INNER CHUTE 2 ASSY, DCP9010CN/MFC9010CN/MFC9120CN/MFC9320CW	
8	LS8029002	1	INNER CHUTE 2 ASSY, MFC9125CN/MFC9325CW	
9	LS8041001	1	TOP DRESS COVER L	
10	LS8042001	1	TOP DRESS COVER R	
11	LS8062001	1	PULL ARM L	
12	LS8063001	1	PULL ARM R	
13	LS8064001	2	PULL ARM GUIDE	
14	LS8136001	1	PULL ARM SPRING ADF L	
15	LS0895001	1	PULL ARM SPRING ADF R	
16	LF6148001	2	LOCK CLAW	
17	LU5691001	4	TAPTITE CUP S M3X6 SR	
18	LU5693001	4	TAPTITE BIND B M4X12	

\*1 There are two types of HOLDER HOOK you can order.

When you replace HOLDER HOOK, please refer to Parts Change Information: 1000018203 because you need to know which HOLDER HOOK on the above list should be attached to the machine.

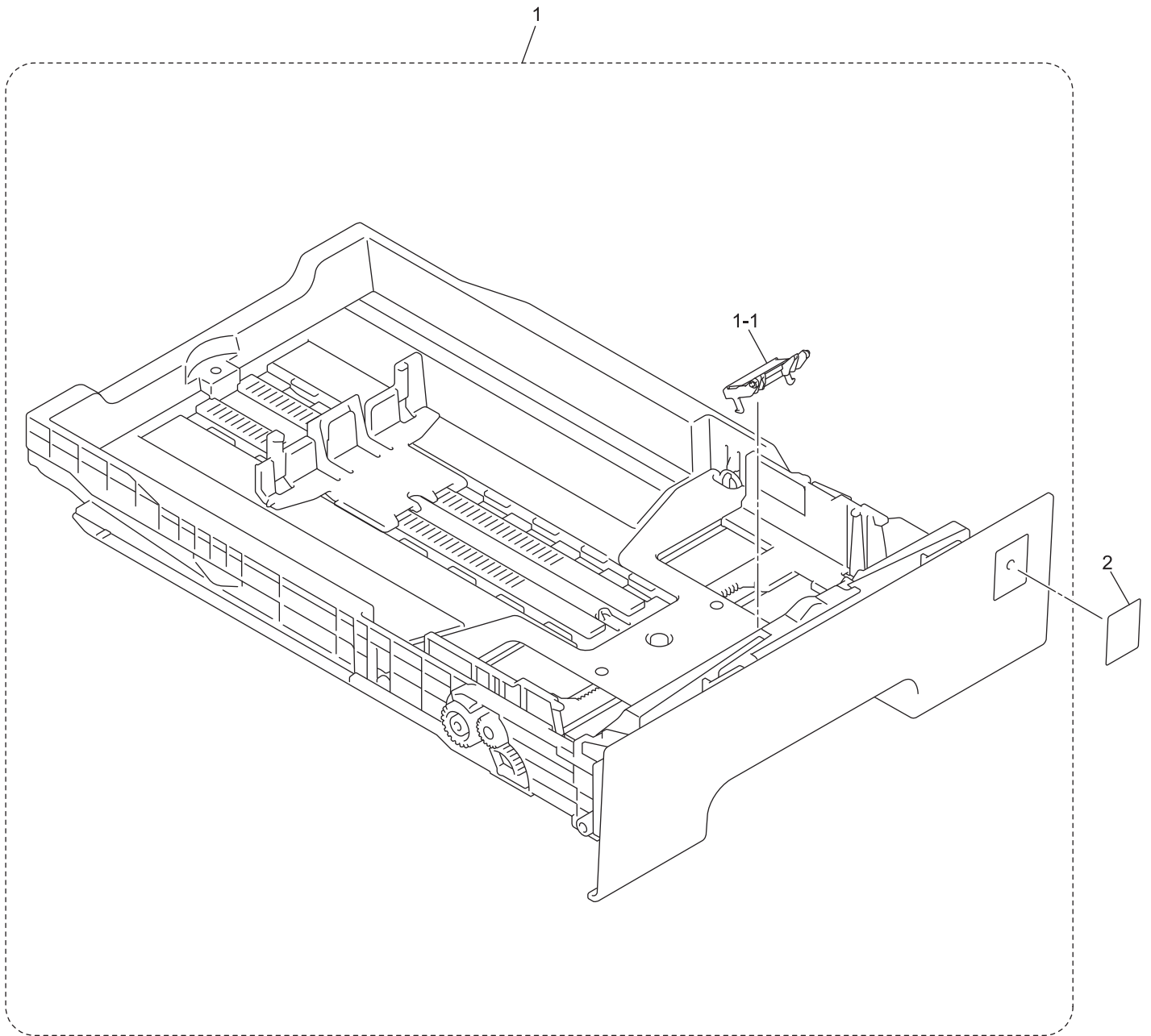
## 6. PAPER FEEDER



6. PAPER FEEDER

REF No.	CODE	Q'TY	DESCRIPTION	REMARKS
1	LU5294001	1	PAPER FEED UNIT	
1-1	LU5311001	1	ROLLER HOLDER ASSY	
1-2	LV0151001	1	REGISTRATION FRONT/REAR SENSOR PCB ASSY	
1-3	LV0150001	1	MANUAL SENSOR PCB ASSY	
2	LU5691001	3	TAPTITE CUP S M3X6 SR	
3	LM3856001	2	SHOULDER SCREW	

## 7.PAPER TRAY

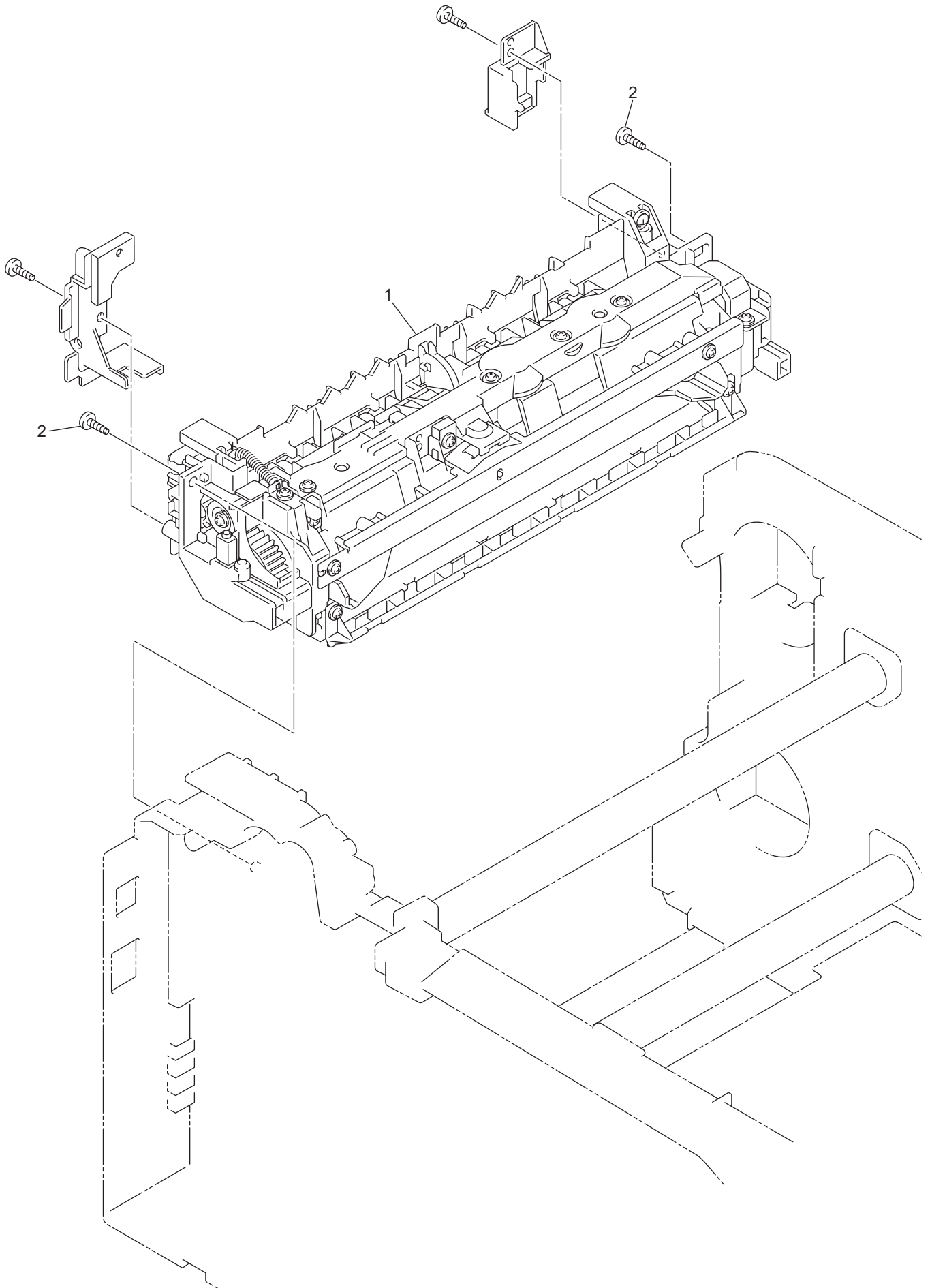




7. PAPER TRAY

REF No.	CODE	Q'TY	DESCRIPTION	REMARKS
1	LU5347001	1	PAPER TRAY UNIT, DCP9010CN/MFC9010CN/MFC9120CN	
1	LU5347003	1	PAPER TRAY UNIT, MFC9125CN	
1	LU5347002	1	PAPER TRAY UNIT, MFC9320CW/MFC9325CW	
1-1	LU5669001	1	SEPARATION PAD ASSY	
2	LU6035004	4	COLOR LABEL, MFC9010CN/MFC9120CN/MFC9320CW FOR US/CAN/ARG/CHL/BRA	DEL
2	LU6624001	1	COLOR LABEL, MFC9125CN FOR US/CAN	
2	LU6624002	1	COLOR LABEL, MFC9010CN/MFC9120CN/MFC9320CW/MFC9325CW FOR US/CAN/ARG/CHL/BRA	
2	LU6036004	4	COLOR LABEL, DCP9010CN/MFC9120CN/MFC9320CW FOR GER/UK/FRA/BEL/NLD/CHE/AUS/SPA/ITA/ ISR/POR/CHN/TUR/POL/SGP/GUL/KOR/IND/RUS/ARL/NZ/PND/ IBR/CEE	DEL
2	LU6625001	1	COLOR LABEL, MFC9125CN FOR ARL/NZ	
2	LU6625002	1	COLOR LABEL, DCP9010CN/MFC9120CN/MFC9320CW/MFC9325CW FOR GER/UK/FRA/BEL/NLD/CHE/AUS/SPA/ITA/ISR/POR/CHN/ TUR/POL/SGP/GUL/KOR/IND/RUS/ARL/NZ/PND/IBR/CEE	

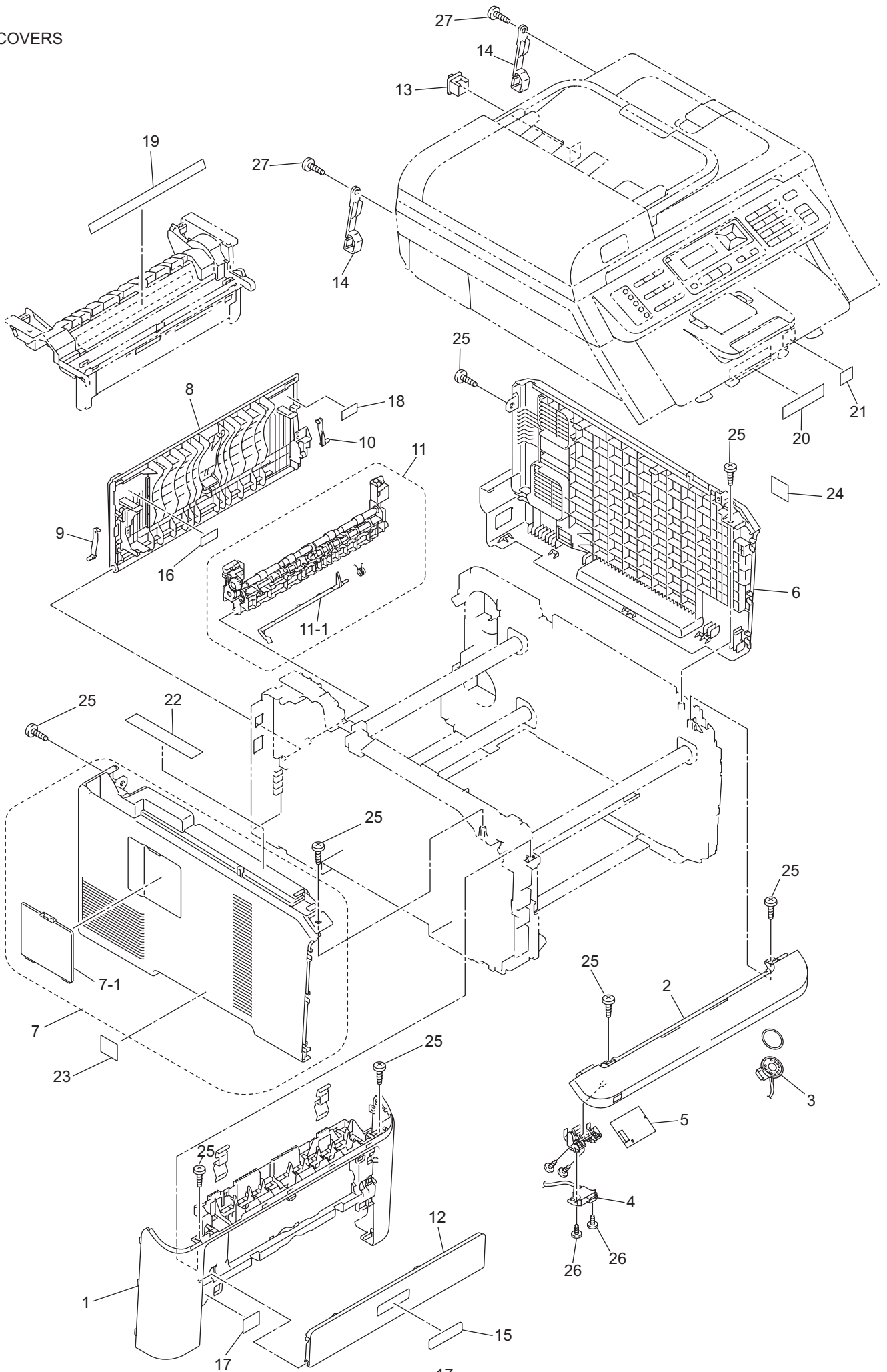
## 8.FUSER UNIT



8. FUSER UNIT

REF No.	CODE	Q'TY	DESCRIPTION	REMARKS
1	LU5796001	1	FUSER UNIT 115V (SP) FOR US/CAN/BRA	
1	LU6566001	1	FUSER UNIT 230V (SP) FOR GER/UK/FRA/BEL/NLD/CHE/AUS/SPA/ ITA/CHN/TUR/ISR/POR/ARG/CHL/POL/SGP/GUL/KOR/RUS/ARL/NZ/PND/ IBR/CEE	CHG
1	LU6500001	1	FUSER UNIT 230V (SP) FOR IND	
2	LJ0395001	2	TAPTITE PAN B M4X14	

9.COVERS



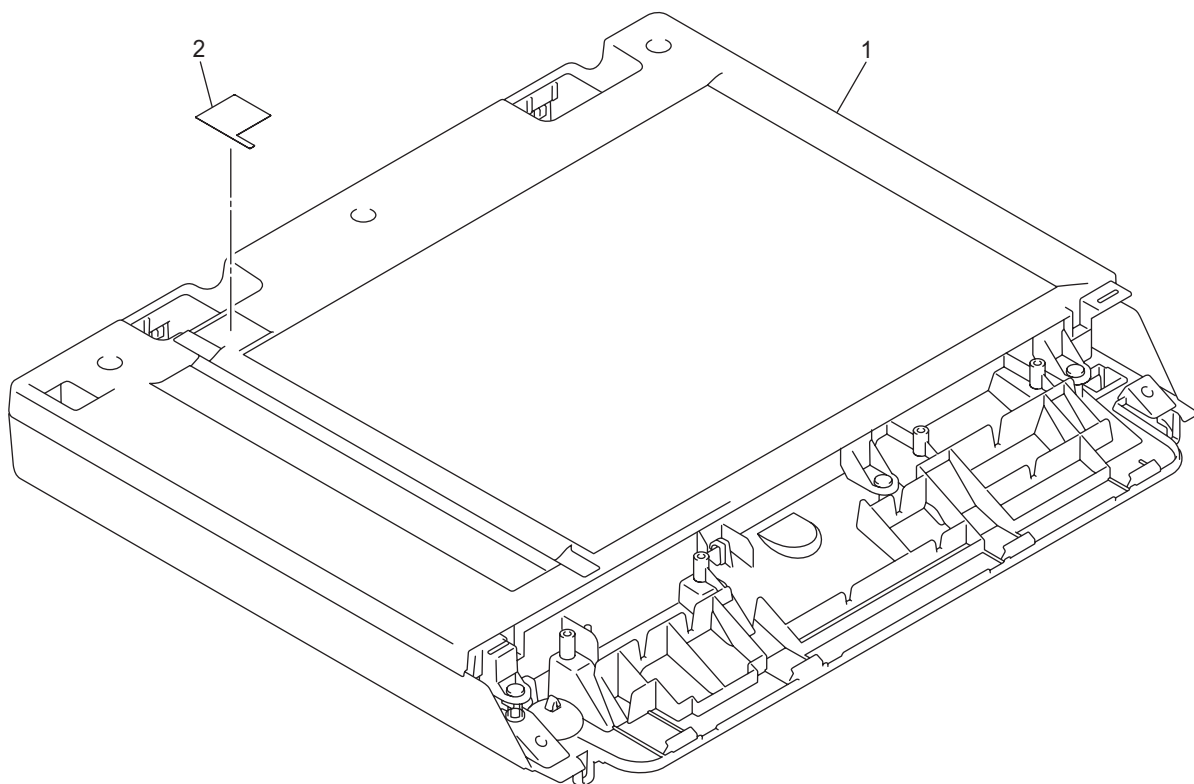
9. COVERS

REF No.	CODE	Q'TY	DESCRIPTION	REMARKS
1	LS8044001	1	FRONT COVER	
2	LS8158001	1	FRONT COVER TOP, DCP9010CN/MFC9010CN/MFC9120CN/MFC9125CN	
2	LS8215001	1	FRONT COVER TOP, MFC9320CW	
2	LS8215002	1	FRONT COVER TOP, MFC9325CW	
3	LT0727001	1	SPEAKER UNIT, DCP9010CN/MFC9010CN/MFC9120CN/MFC9125CN/MFC9320CW/MFC9325CW	
4	LV0261001	1	USB HOST RELAY PCB ASSY, MFC9320CW/MFC9325CW	
5	LT0963001	1	WIRELESS LAN PCB ASSY, MFC9320CW/MFC9325CW	
6	LS8138001	1	SIDE COVER R ASSY	
7	LS8139001	1	SIDE COVER L ASSY	
7-1	LS8052001	1	ACCESS COVER	
8	LU5426001	1	BACK COVER	
9	LU5427001	1	BACK COVER STOPPER L	
10	LU6131001	1	BACK COVER STOPPER R	
11	LU5428001	1	FUSER COVER ASSY	
11-1	LU5440001	1	PAPER EJECT FRONT ACTUATOR	
12	LU5442001	1	MANUAL PAPER TRAY ASSY, DCP9010CN/MFC9010CN/MFC9120CN	
12	LU5442003	1	MANUAL PAPER TRAY ASSY, MFC9125CN	
12	LU5442002	1	MANUAL PAPER TRAY ASSY, MFC9320CW/MFC9325CW	
13	LE8842001	1	EXT CAP, MFC9120CN/MFC9125CN/MFC9320CW/MFC9325CW FOR US/CAN/NLD/CHE/SPA/ISR/POR/CHN/TUR/ARG/CHL/POL/SGP/ GUL/BRA/KOR/IND/RUS/ARL/NZ/PND/CEE	
13	UF5745000	1	MJ COVER EXT, MFC9120CN/MFC9320CW FOR GER/UK/FRA/ BEL/AUS/ITA	
14	LS8214001	2	CORD HOOK, MFC9120CN/MFC9125CN/MFC9320CW/MFC9325CW	
15	LU4163003	1	BROTHER EMBLEM, DCP9010CN/MFC9010CN/MFC9120CN	
15	LU4163005	1	BROTHER EMBLEM, MFC9125CN	
15	LU4163001	1	BROTHER EMBLEM, MFC9320CW/MFC9325CW	
16	LU5876001	1	LABEL REAR JAM	
17	LU5877001	1	LABEL FRONT JAM	
18	LU5878001	1	LABEL H/SP CAUTION REAR	
19	LU5879001	1	LABEL HEAT CAUTION FOR US/CAN/ARG/CHL/BRA	
19	LU6173001	1	LABEL HEAT CAUTION FOR GER/UK/FRA/BEL/NLD/CHE/AUS/ SPA/ITA/ISR/POR/POL/RUS/PND/IBR/CEE	
19	LU6385001	1	LABEL HEAT CAUTION FOR CHN	
19	LU6335001	1	LABEL HEAT CAUTION FOR TUR/SGP/GUL/KOR/IND/ARL/NZ	
20	LS8233001	1	LABEL DR OPERATION	
21	LS8273001	1	LABEL DR OPERATION/RIGHT	
22	LS8234001	1	LABEL SPRAY CAUTION	
23	LS8462001	1	HANDHOLD POSITION LABEL L	
24	LS8463001	1	HANDHOLD POSITION LABEL R	
25	LU5693001	8	TAPTITE BIND B M4X12	
26	085310816	2	TAPTITE BIND B M3X8	
27	087310816	2	TAPTITE CUP B M3X8	

8CE203, 8CE204, 8CE213,  
8CE217, 8CE233, 8CE237

DCP9010CN, MFC9010CN,  
MFC9120CN, MFC9125CN,  
MFC9320CW, MFC9325CW

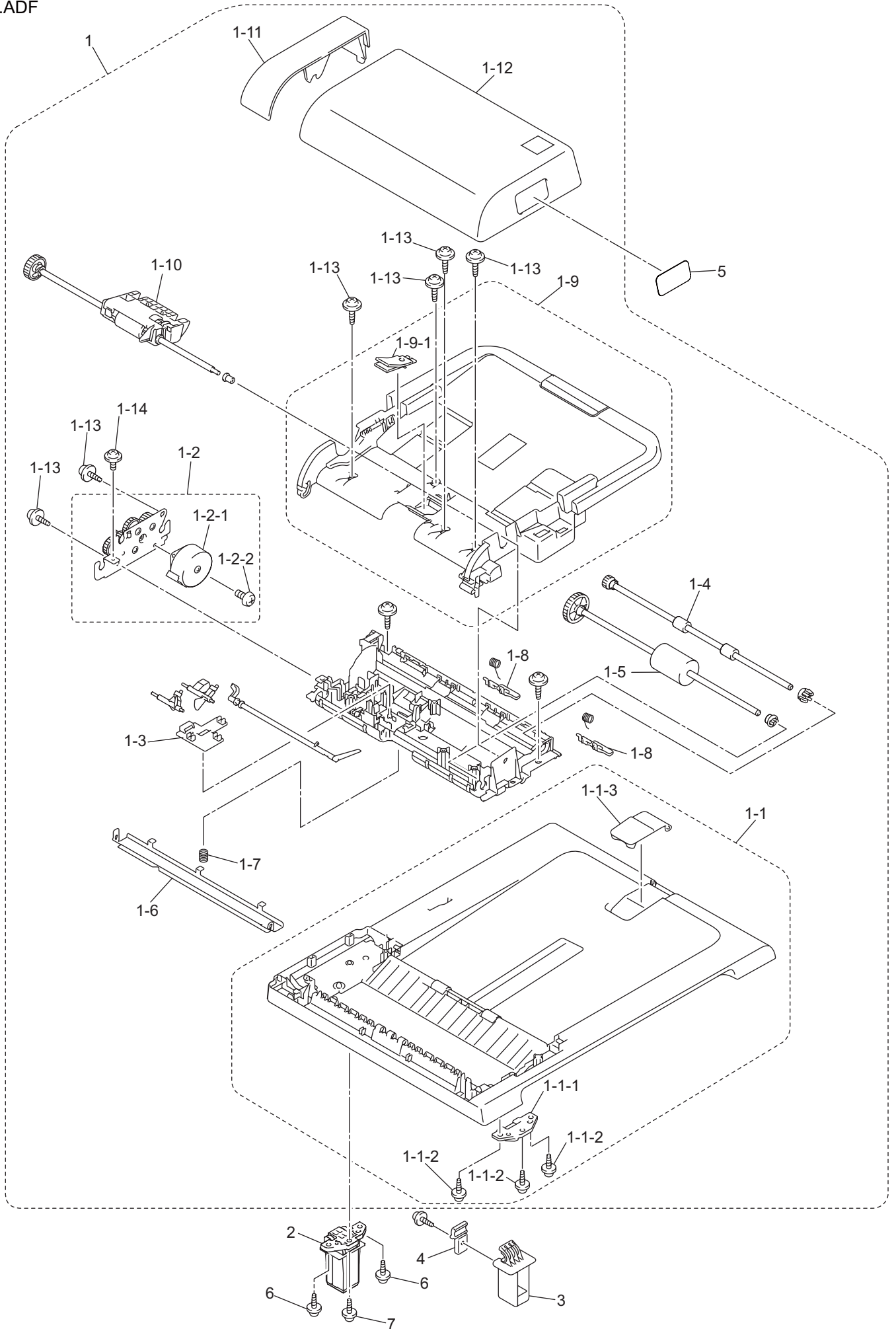
10.DOCUMENT SCANNER



10. DOCUMENT SCANNER

REF No.	CODE	Q'TY	DESCRIPTION	REMARKS
1	LS8312001	1	SCANNER UNIT(SP)	
2	LS8164001	1	DOCUMENT SET LABEL	

11.ADF

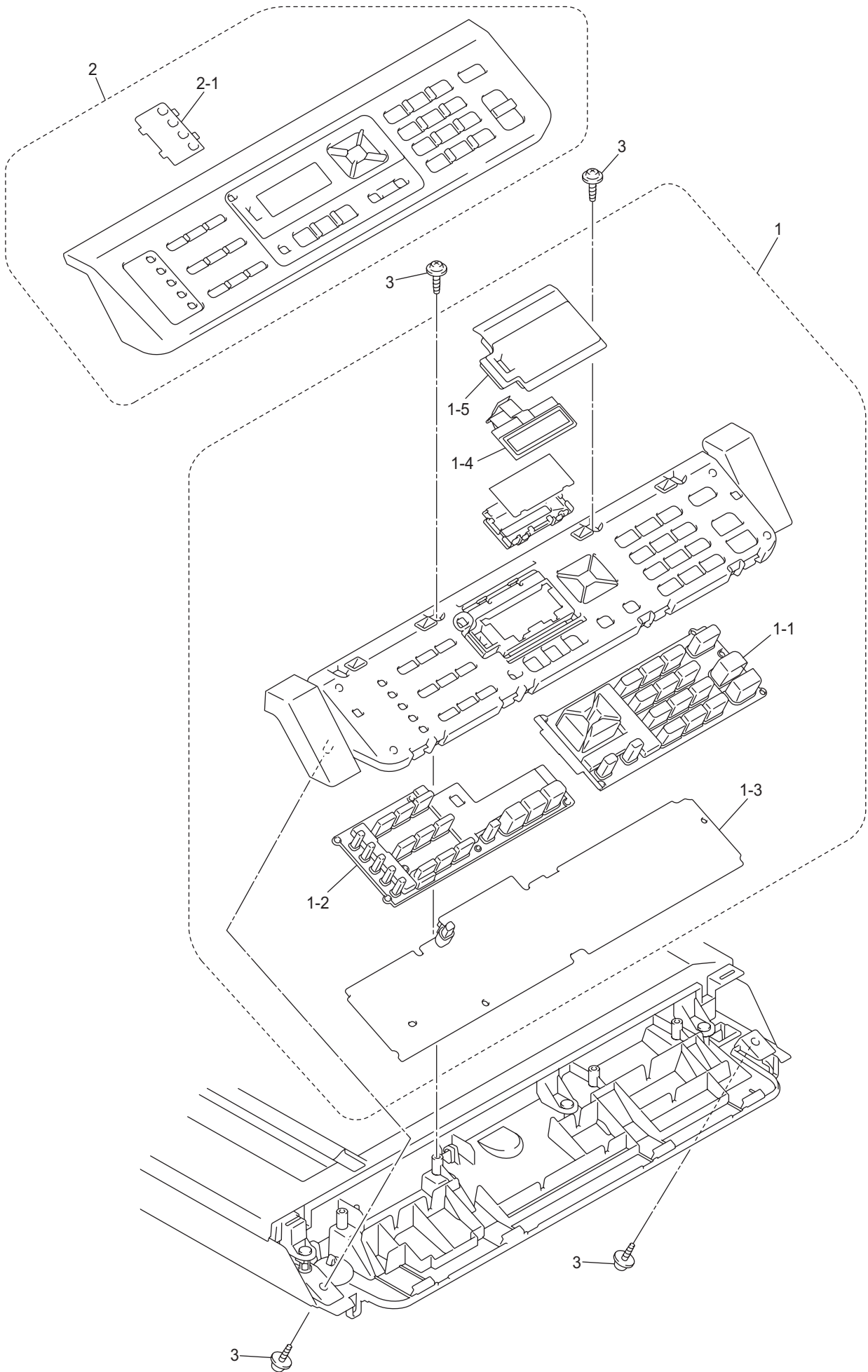




11. ADF

REF No.	CODE	Q'TY	DESCRIPTION	SYMBOL	REMARKS
1	LS8311001	1	ADF UNIT(SP)		
1-1	LS8076001	1	DOCUMENT COVER SUB ASSY		
1-1-1	LS8141001	1	HINGE BASE		
1-1-2	087311016	3	TAPTITE CUP B M3X10		
1-1-3	LS8078001	1	DOCUMENT STOPPER		
1-2	LS0536001	1	DRIVE FRAME ASSY		
1-2-1	LF9081001	1	ADF MOTOR		
1-2-2	085320616	1	TAPTITE BIND S M3X6		
1-3	LT0722001	1	ADF SENSOR PCB ASSY	B57T012	
1-4	LF6577001	1	EJECTION ROLLER ASSY		
1-5	LF6579001	1	LF ROLLER ASSY		
1-6	LP2591001	1	DOCUMENT HOLD ASSY		
1-7	LP2594001	1	DOCUMENT HOLD SPRING		
1-8	LS8083001	2	PAPER STACK LEVER		
1-9	LS8085001	1	UPPER DOCUMENT CHUTE ASSY		
1-9-1	LS0978001	1	SEPARATION RUBBER ASSY		
1-10	LS8090001	1	SEPARATE ROLLER SHAFT ASSY		
1-11	LS8094001	1	GEAR COVER		
1-12	LS8095001	1	ADF COVER ASSY		
1-13	087311016	6	TAPTITE CUP B M3X10		
1-14	LU5691001	1	TAPTITE CUP S M3X6 SR		
2	LS3329001	1	HINGE ASSY L		
3	LS8154001	1	HINGE R		
4	LS8155001	1	HINGE R SUPPORT		
5	LS8205001	1	DCP EMBLEM, DCP9010CN		
5	LS8204001	1	MFC EMBLEM, MFC9010CN/MFC9120CN		
5	LS8776001	1	MFC EMBLEM, MFC9125CN/MFC9325CW		
5	LS8203001	1	MFC EMBLEM, MFC9320CW		
6	087311016	2	TAPTITE CUP B M3X10		
7	087321217	1	TAPTITE CUP S M3X12		

12.PANEL



12. PANEL

REF No.	CODE	Q'TY	DESCRIPTION	SYMBOL	REMARKS
1	LS8110001	1	PANEL UNIT, DCP9010CN/MFC9010CN EXCEPT FOR CHN		
1	LS8097002	1	PANEL UNIT, MFC9120CN EXCEPT FOR CHN		
1	LS8097001	1	PANEL UNIT, MFC9320CW EXCEPT FOR CHN		
1	LS8508001	1	PANEL UNIT, DCP9010CN FOR CHN		
1	LS8218002	1	PANEL UNIT, MFC9120CN FOR CHN		
1	LS8218001	1	PANEL UNIT, MFC9320CW FOR CHN		
1	LS8097004	1	PANEL UNIT, MFC9125CN FOR ALL COUNTRIES		
1	LS8097003	1	PANEL UNIT, MFC9325CW FOR ALL COUNTRIES		
1-1	LS8099003	1	RUBBER KEY R, DCP9010CN/MFC9010CN		
1-1	LS8099004	1	RUBBER KEY R, DCP9125CN/MFC9325CW		
1-1	LS8099002	1	RUBBER KEY R, MFC9120CN		
1-1	LS8099001	1	RUBBER KEY R, MFC9320CW		
1-2	LS8112001	1	RUBBER KEY L, DCP9010CN/MFC9010CN		
1-2	LS8103002	1	RUBBER KEY L, MFC9120CN		
1-2	LS8103004	1	RUBBER KEY L, MFC9125CN		
1-2	LS8103001	1	RUBBER KEY L, MFC9320CW		
1-2	LS8103003	1	RUBBER KEY L, MFC9325CW		
1-3	LT0715003	1	PANEL PCB ASSY, DCP9010CN/MFC9010CN EXCEPT FOR CHN	B57T010	
1-3	LT0715001	1	PANEL PCB ASSY, MFC9120CN/MFC9125CN/MFC9320CW/MFC9325CW EXCEPT FOR CHN	B57T010	
1-3	LT0716003	1	PANEL PCB ASSY, DCP9010CN FOR CHN	B57T011	
1-3	LT0716001	1	PANEL PCB ASSY, MFC9120CN/MFC9320CW FOR CHN		
1-4	A62009001	1	LCD EXCEPT FOR CHN		
1-4	LT0502001	1	LCD FOR CHN		
1-5	LS8108001	1	LCD COVER		
2	LS8120001	1	PANEL COVER ASSY, MFC9010CN FOR US/CAN		
2	LS8114001	1	PANEL COVER ASSY, MFC9120CN FOR US/CAN		
2	LS8777001	1	PANEL COVER ASSY, MFC-9125CN FOR US/CAN		
2	LS8151001	1	PANEL COVER ASSY, MFC9320CW FOR US/CAN		
2	LS8793001	1	PANEL COVER ASSY, MFC-9325CW FOR US/CAN		
2	LS8446001	1	PANEL COVER ASSY, DCP9010CN FOR GER/CHE		
2	LS8280001	1	PANEL COVER ASSY, MFC9120CN FOR GER/AUS		
2	LS8409001	1	PANEL COVER ASSY, MFC9320CW FOR GER/AUS		
2	LS8451001	1	PANEL COVER ASSY, DCP9010CN FOR UK/FRA/BEL/NLD/SGP/GUL/IND/ARL/NZ/CEE		
2	LS8149001	1	PANEL COVER ASSY, MFC9120CN FOR UK/BEL/CHE/ISR/GUL/CEE		
2	LS8153001	1	PANEL COVER ASSY, MFC9320CW FOR UK/BEL/CHE/GUL/CEE		
2	LS8447001	1	PANEL COVER ASSY, DCP9010CN FOR FRA/BEL/NLD/CHE (FRENCH)		
2	LS8452001	1	PANEL COVER ASSY, DCP9010CN FOR FRA/BEL/NLD (DUTCH)		
2	LS8293001	1	PANEL COVER ASSY, MFC9120CN FOR FRA		
2	LS8414001	1	PANEL COVER ASSY, MFC9320CW FOR FRA		
2	LS8355001	1	PANEL COVER ASSY, MFC9120CN FOR NLD (DUTCH)		
2	LS8525001	1	PANEL COVER ASSY, MFC9320CW FOR NLD (DUTCH)		
2	LS8299001	1	PANEL COVER ASSY, MFC9120CN FOR SPA		
2	LS8416001	1	PANEL COVER ASSY, MFC9320CW FOR SPA		
2	LS8450001	1	PANEL COVER ASSY, DCP9010CN FOR ITA		
2	LS8303001	1	PANEL COVER ASSY, MFC9120CN FOR ITA		
2	LS8418001	1	PANEL COVER ASSY, MFC9320CW FOR ITA		
2	LS8360001	1	PANEL COVER ASSY, MFC9120CN FOR POR		
2	LS8528001	1	PANEL COVER ASSY, MFC9320CW FOR POR		
2	LS8621001	1	PANEL COVER ASSY, DCP9010CN FOR CHN		
2	LS8486001	1	PANEL COVER ASSY, MFC9120CN FOR CHN		
2	LS8216001	1	PANEL COVER ASSY, MFC9320CW FOR CHN		
2	LS8627001	1	PANEL COVER ASSY, DCP9010CN FOR TUR		
2	LS8681001	1	PANEL COVER ASSY, MFC9120CN FOR TUR		
2	LS8604001	1	PANEL COVER ASSY, MFC9320CW FOR TUR		
2	LS8491001	1	PANEL COVER ASSY, MFC9120CN FOR POL		
2	LS8607001	1	PANEL COVER ASSY, MFC9320CW FOR POL		
2	LS8683001	1	PANEL COVER ASSY, MFC9120CN FOR ARG/CHL		
2	LS8368001	1	PANEL COVER ASSY, MFC9120CN FOR SGP/IND/ARL/NZ		
2	LS8536001	1	PANEL COVER ASSY, MFC9320CW FOR SGP/ARL/NZ		
2	LS8618001	1	PANEL COVER ASSY, MFC9010CN FOR BRA		
2	LS8576001	1	PANEL COVER ASSY, MFC9320CW FOR BRA		
2	LS8687001	1	PANEL COVER ASSY, MFC9120CN FOR KOR		
2	LS8674001	1	PANEL COVER ASSY, DCP9010CN FOR RUS		
2	LS8495001	1	PANEL COVER ASSY, MFC9120CN FOR RUS		
2	LS8788001	1	PANEL COVER ASSY, MFC-9125CN FOR ARL/NZ		
2	LS8796001	1	PANEL COVER ASSY, MFC-9325CW FOR ARL/NZ		
2	LS8479001	1	PANEL COVER ASSY, DCP9010CN FOR PND		
2	LS8375001	1	PANEL COVER ASSY, MFC9120CN FOR PND		
2	LS8539001	1	PANEL COVER ASSY, MFC9320CW FOR PND		
2	LS8456001	1	PANEL COVER ASSY, DCP9010CN FOR IBR (SPANISH)		

8CE203, 8CE204, 8CE213,  
8CE217, 8CE233, 8CE237

DCP9010CN, MFC9010CN,  
MFC9120CN, MFC9125CN,  
MFC9320CW, MFC9325CW

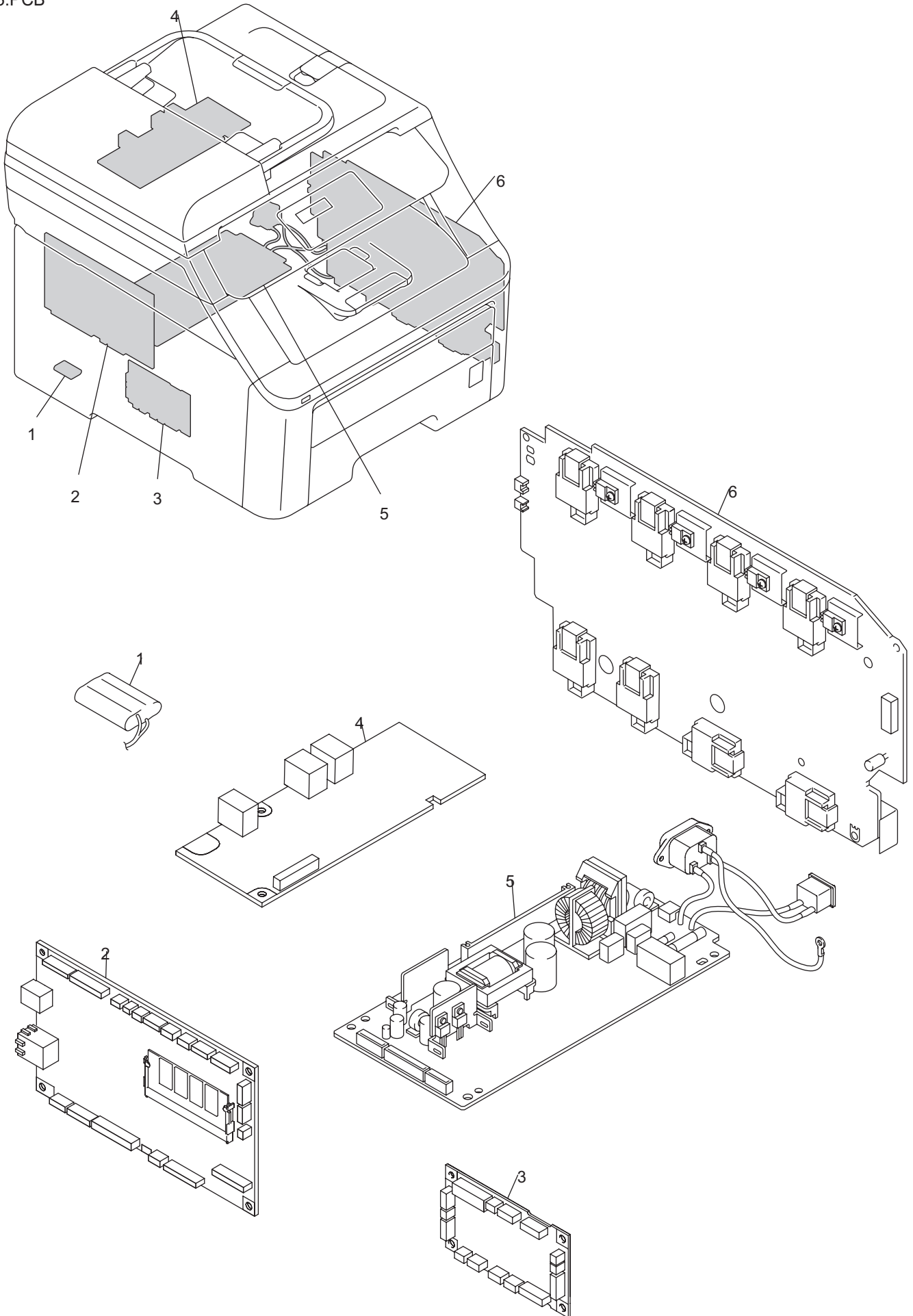
12. PANEL

REF No.	CODE	Q'TY	DESCRIPTION	SYMBOL	REMARKS
2	LS8458001	1	PANEL COVER ASSY, DCP9010CN FOR IBR (PORTUGUESE)		
2	LS8677001	1	PANEL COVER ASSY, DCP9010CN FOR CEE(POL)		
2-1	LS8119001	1	ADDRESS LABEL, MFC9120CN/MFC9320CW		
2-1	LS8119002	1	ADDRESS LABEL, MFC9125CN/MFC9325CW		
3	087311016	4	TAPTITE CUP B M3X10		

8CE203, 8CE204, 8CE213,  
8CE217, 8CE233, 8CE237

DCP9010CN, MFC9010CN,  
MFC9120CN, MFC9125CN,  
MFC9320CW, MFC9325CW

13.PCB

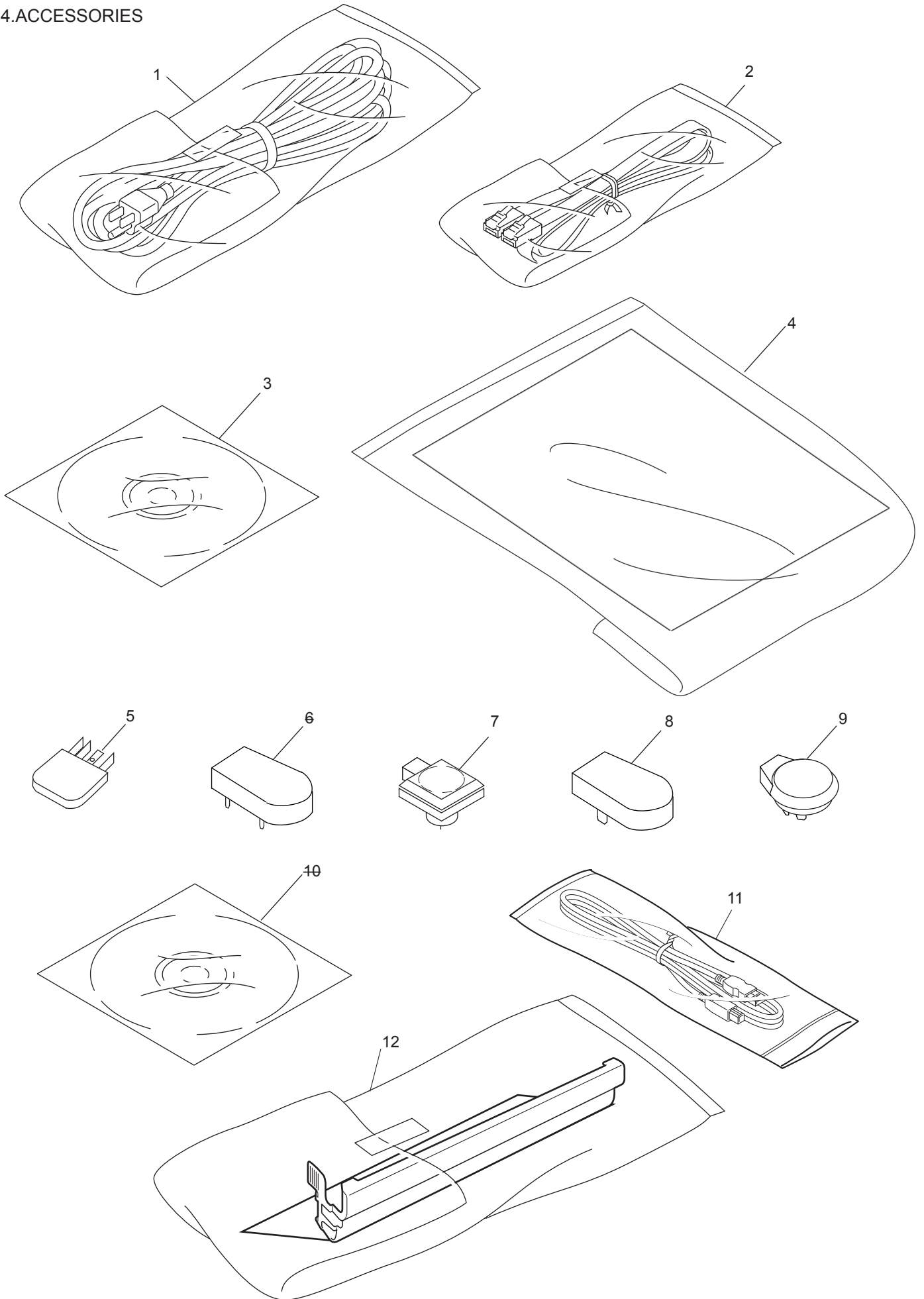


13. PCB

REF No.	CODE	Q'TY	DESCRIPTION	SYMBOL	REMARKS
1	LG6167001	1	BATTERY ASSY, MFC9120CN/MFC9320CW		
2	LT0711001	1	MAIN PCB, DCP9010CN/MFC9010CN FOR US/CAN/GER/UK/FRA/BEL/NLD/CHE/ITA/TUR/SGP/GUL/BRA/IND/RUS/ ARL/NZ/PND/IBR/CEE	B57T004	
2	LT0711054	1	MAIN PCB, DCP9010CN FOR GER/UK/FRA/BEL/NLD/CHE/ITA/PND/IBR (*)	B57T004	
2	LT0711051	1	MAIN PCB, MFC9010CN FOR US (*)	B57T004	
2	LT0710051	1	MAIN PCB, MFC9120CN FOR US (*)	B57T004	
2	LT0710001	1	MAIN PCB, MFC9120CN FOR US/CAN	B57T004	
2	LT0710011	1	MAIN PCB, MFC9125CN FOR US/CAN	B57T004	
2	LT0709051	1	MAIN PCB, MFC9320CW FOR US (*)	B57T004	
2	LT0709001	1	MAIN PCB, MFC9320CW FOR US/CAN	B57T004	
2	LT0709011	1	MAIN PCB, MFC9325CW FOR US/CAN	B57T004	
2	LT0711052	1	MAIN PCB, MFC9010CN FOR CAN (*)	B57T004	
2	LT0710052	1	MAIN PCB, MFC9120CN FOR CAN (*)	B57T004	
2	LT0709052	1	MAIN PCB, MFC9320CW FOR CAN (*)	B57T004	
2	LT0710004	1	MAIN PCB, MFC9120CN FOR GER/UK/FRA/BEL/NLD/CHE/AUS/SPA/ITA/ISR/POR/TUR/ ARG/CHL/POL/SGP/GUL/KOR/IND/RUS/ARL/NZ/PND/CEE	B57T004	
2	LT0710054	1	MAIN PCB, MFC9120CN FOR GER/UK/FRA/BEL/NLD/CHE/AUS/SPA/ITA/ISR/POR/POL/ RUS/PND/CEE (*)	B57T004	
2	LT0709004	1	MAIN PCB, MFC9320CW FOR GER/UK/FRA/BEL/NLD/CHE/AUS/SPA/ITA/POR/TUR/POL/SGP/GUL/ BRA/ARL/NZ/PND/CEE	B57T004	
2	LT0709054	1	MAIN PCB, MFC9320CW FOR GER/UK/FRA/BEL/NLD/CHE/AUS/SPA/ITA/ POR/POL/PND/CEE (*)	B57T004	
2	LT0710014	1	MAIN PCB, MFC9125CN FOR ARL/NZ	B57T004	
2	LT0709014	1	MAIN PCB, MFC9325CW FOR ARL/NZ	B57T004	
2	LT0711020	1	MAIN PCB, DCP9010CN FOR CHN		
2	LT0710020	1	MAIN PCB, MFC9120CN FOR CHN		
2	LT0709020	1	MAIN PCB, MFC9320CW FOR CHN		
3	LV0148001	1	ENGINE PCB ASSY	B512292	
4	LT0867001	1	NCU PCB ASSY, MFC9120CN/MFC9125CN/MFC9320CW/MFC9325CW FOR US	B57T013	CHG
4	LT0867003	1	NCU PCB ASSY, MFC9120CN/MFC9125CN/MFC9320CW/MFC9325CW FOR	B57T013	CHG
4	LG5923054	1	NCU PCB ASSY, MFC9120CN/MFC9320CW FOR GER/AUS/ISR/POL/CEE	B53K786	
4	LG5923067	1	NCU PCB ASSY, MFC9120CN/MFC9320CW FOR UK/BEL/NLD/PND	B53K786	
4	LG5923065	1	NCU PCB ASSY, MFC9120CN/MFC9320CW FOR FRA/SPA/ITA/POR/TUR/RUS	B53K786	
4	LG5923056	1	NCU PCB ASSY, MFC9120CN/MFC9320CW FOR CHE	B53K786	
4	LG6190005	1	NCU PCB ASSY, MFC9120CN/MFC9320CW FOR CHN/ARG/CHL/SGP/IND	B53K786	
4	LG6872003	1	NCU PCB ASSY, MFC9120CN/MFC9320CW FOR GUL	B53K896	
4	LG6190006	1	NCU PCB ASSY, MFC9320CW FOR BRA	B53K786	
4	LG6190009	1	NCU PCB ASSY, MFC9120CN FOR KOR	B53K786	
4	LG6198003	1	NCU PCB ASSY, MFC9120CN/MFC9125CN/MFC9320CW/MFC9325CW FOR ARL/NZ	B53K786	
5	LT0748001	1	LOW-VOLTAGE POWER SUPPLY PCB ASSY FOR US/CAN/BRA		
5	LT0749001	1	LOW-VOLTAGE POWER SUPPLY PCB ASSY FOR GER/UK/FRA/BEL/NLD/CHE/AUS/SPA/ITA/ISR/POR/TUR/ARG/CHL/POL/ SGP/GUL/KOR/ARL/NZ/PND/IBR/CEE		
5	LT0747001	1	LOW-VOLTAGE POWER SUPPLY PCB ASSY FOR CHN/IND/RUS		
6	LV0146001	1	HIGH-VOLTAGE POWER SUPPLY PCB ASSY		

\*: Demo model production only.

14.ACCESSORIES



14. ACCESSORIES

REF No.	CODE	Q'TY	DESCRIPTION	REMARKS
1	LG4400001	1	AC CORD BAG ASSY LF UL/CSA FOR US/CAN	
1	LV0364001	1	AC CORD BAG ASSY LF VDE FOR GER/FRA/BEL/NLD/AUS/SPA/ITA/POR/TUR/ POL/SGP/GUL/RUS/PND/IBR/CEE	chg
1	LV0368001	1	AC CORD BAG ASSY LF BS/PSB S FOR UK/SGP/GUL	chg
1	LT2259001	1	AC CORD BAG ASSY LF SEV FOR CHE	chg
1	LG7005001	1	AC CORD BAG ASSY LF FOR ISR	
1	LV1093001	1	AC CORD BAG ASSY LF S FOR CHN	chg
1	LT0925001	1	AC CORD BAG ASSY LF IRAM FOR ARG	
1	LG6207001	1	AC CORD BAG ASSY LF FOR CHL	
1	LG6404001	1	AC CORD BAG ASSY LF SAF FOR GUL	
1	LT2346001	1	AC CORD BAG ASSY LF FOR BRA	chg
1	LT0935001	1	AC CORD BAG ASSY LF FOR KOR	
1	LT0613001	1	AC CORD BAG ASSY LF FOR IND	
1	LV0366001	1	AC CORD BAG ASSY LF SAA S FOR ARL/NZ	chg
1	LG4720001	1	AC CORD BAG ASSY LF DEMKO FOR PND	
2	LG3077001	1	TELEPHONE LINE CORD CSA, MFC9120CN/MFC9125CN/MFC9320CW/MFC9325CW FOR US/CAN/UK/NLD/SPA/ISR/POR/CHN/TUR/ARG/CHL/POL/SGP/GUL/BRA/KOR/IND/RUS/ ARL/NZ/CEE	
2	UG3625001	1	TELEPHONE LINE CORD, MFC9120CN/MFC9320CW FOR GER	
2	UG3626001	1	TELEPHONE LINE CORD UK6P, MFC9120CN/MFC9320CW FOR UK	
2	UG3627001	1	TELEPHONE LINE CORD, MFC9120CN/MFC9320CW FOR FRA	
2	UG1575001	1	TELEPHONE LINE CORD, MFC9120CN/MFC9320CW FOR BEL	
2	LG7202001	1	TELEPHONE LINE CORD, MFC9120CN/MFC9320CW FOR CHE	
2	UG4205001	1	TELEPHONE LINE CORD, MFC9120CN/MFC9320CW FOR AUS	
2	UG3634001	1	TELEPHONE LINE CORD, MFC9120CN/MFC9320CW FOR ITA	
2	UG3290001	1	TELEPHONE LINE CORD, MFC9120CN/MFC9320CW FOR ARL/NZ	
2	LG5827001	1	TELEPHONE LINE CORD, MFC9120CN/MFC9320CW FOR PND	
3	LS8173001	4	CDROM ASSY, MFC9010CN FOR US/CAN/BRA (Windows)	del
3	LS8400001	4	CDROM ASSY, MFC9010CN/MFC9120CN FOR US/CAN/ARG/CHL/BRA (Macintosh)	del
3	LS8668001	4	CDROM ASSY, MFC9010CN FOR US/CAN/BRA (Windows/Macintosh)	del
3	LS8172001	4	CDROM ASSY, MFC9120CN FOR US/CAN/ARG/CHL (Windows)	del
3	LS8174001	4	CDROM ASSY, MFC9320CW FOR US/CAN/BRA (Windows)	del
3	LS8161001	4	CDROM ASSY, MFC9320CW FOR US/CAN/BRA (Macintosh)	del
3	LS8659001	4	CDROM ASSY, DCP9010CN FOR GER/UK/CHE/SGP/GUL/IND/ARL/NZ (Windows/Macintosh)	del
3	LS8406001	4	CDROM ASSY, DCP9010CN FOR GER/UK/FRA/BEL/NLD/CHE/ITA/SGP/GUL/ARL/NZ/PND/IBR (Macintosh)	del
3	LS8181001	4	CDROM ASSY, MFC9120CN FOR GER/UK/FRA/CHE/AUS/ISR/SGP/GUL/KOR/IND/ARL/NZ (Windows)	del
3	LS8282001	4	CDROM ASSY, MFC9120CN FOR GER/UK/FRA/CHE/AUS/SPA/ITA/ISR/POR/SGP/GUL/KOR/IND/ARL/NZ (Macintosh)	del
3	LS8174001	4	CDROM ASSY, MFC9320CW FOR GER/UK/FRA/CHE/AUS/SGP/GUL/ARL/NZ (Windows)	del
3	LS8402001	4	CDROM ASSY, MFC9320CW FOR GER/UK/FRA/CHE/AUS/SPA/ITA/POR/SGP/GUL/ARL/NZ (Macintosh)	del
3	LS8661001	4	CDROM ASSY, DCP9010CN FOR FRA/BEL/NLD (Windows/Macintosh)	del
3	LS8183001	4	CDROM ASSY, MFC9120CN FOR BEL/NLD (Windows)	del
3	LS8352001	4	CDROM ASSY, MFC9120CN FOR BEL/NLD/PND (Macintosh)	del
3	LS8176001	4	CDROM ASSY, MFC9320CW FOR BEL/NLD (Windows)	del
3	LS8403001	4	CDROM ASSY, MFC9320CW FOR BEL/NLD/PND (Macintosh)	del
3	LS8182001	4	CDROM ASSY, MFC9120CN FOR CHE/SPA/ITA/POR (Windows)	del
3	LS8175001	4	CDROM ASSY, MFC9320CW FOR CHE/SPA/ITA/POR (Windows)	del
3	LS8660001	4	CDROM ASSY, DCP9010CN FOR CHE/ITA/IBR (Windows/Macintosh)	del
3	LS8666001	4	CDROM ASSY, DCP9010CN FOR CHN (Windows/Macintosh)	del
3	LS8199001	4	CDROM ASSY, MFC9120CN FOR CHN (Windows)	del
3	LS8198001	4	CDROM ASSY, MFC9320CW FOR CHN (Windows)	del
3	LS8474001	4	CDROM ASSY, DCP9010CN/MFC9120CN FOR CHN (Macintosh)	del
3	LS8475001	4	CDROM ASSY, MFC9320CW FOR CHN (Macintosh)	del
3	LS8572001	4	CDROM ASSY, DCP9010CN/MFC9120CN/MFC9320CW FOR CHN (Windows-7)	del
3	LS8665001	4	CDROM ASSY, DCP9010CN FOR TUR/RUS (Windows/Macintosh)	del
3	LS8407001	4	CDROM ASSY, DCP9010CN FOR RUS/CEE (Macintosh)	del
3	LS8187001	4	CDROM ASSY, MFC9120CN FOR TUR/RUS (Windows)	del
3	LS8401001	4	CDROM ASSY, MFC9120CN FOR TUR/POL/RUS/CEE (Macintosh)	del
3	LS8180001	4	CDROM ASSY, MFC9320CW FOR TUR (Windows)	del
3	LS8185001	4	CDROM ASSY, MFC9120CN FOR POL/CEE (Windows) (CZECH/HUNGARIAN/POLISH/ENGLISH)	del
3	LS8178001	4	CDROM ASSY, MFC9320CW FOR POL/CEE (Windows) (CZECH/HUNGARIAN/POLISH/ENGLISH)	del
3	LS8663001	4	CDROM ASSY, DCP9010CN FOR CEE (Windows/Macintosh) (CZECH/HUNGARIAN/POLISH/ ENGLISH)	del
3	LS8404001	4	CDROM ASSY, MFC9320CW FOR TUR/POL/CEE (Macintosh)	del
3	LS8662001	4	CDROM ASSY, DCP9010CN FOR PND (Windows/Macintosh)	del
3	LS8184001	4	CDROM ASSY, MFC9120CN FOR PND (Windows)	del
3	LS8177001	4	CDROM ASSY, MFC9320CW FOR PND (Windows)	del
3	LS8193001	4	CDROM ASSY, DCP9010CN FOR CEE (Windows) (BULGARIAN/ROMANIAN/SLOVAK/GERMAN)	del
3	LS8186001	4	CDROM ASSY, MFC9120CN FOR CEE (Windows) (BULGARIAN/ROMANIAN/SLOVAK/GERMAN)	del
3	LS8179001	4	CDROM ASSY, MFC9320CW FOR CEE (Windows) (BULGARIAN/ROMANIAN/SLOVAK/GERMAN)	del
3	LS8728001	1	CDROM ASSY, MFC9125CN/MFC9325CW FOR US/CAN/ARL/NZ (Windows/Machintosh)	

8CE203, 8CE204, 8CE213,  
8CE217, 8CE233, 8CE237

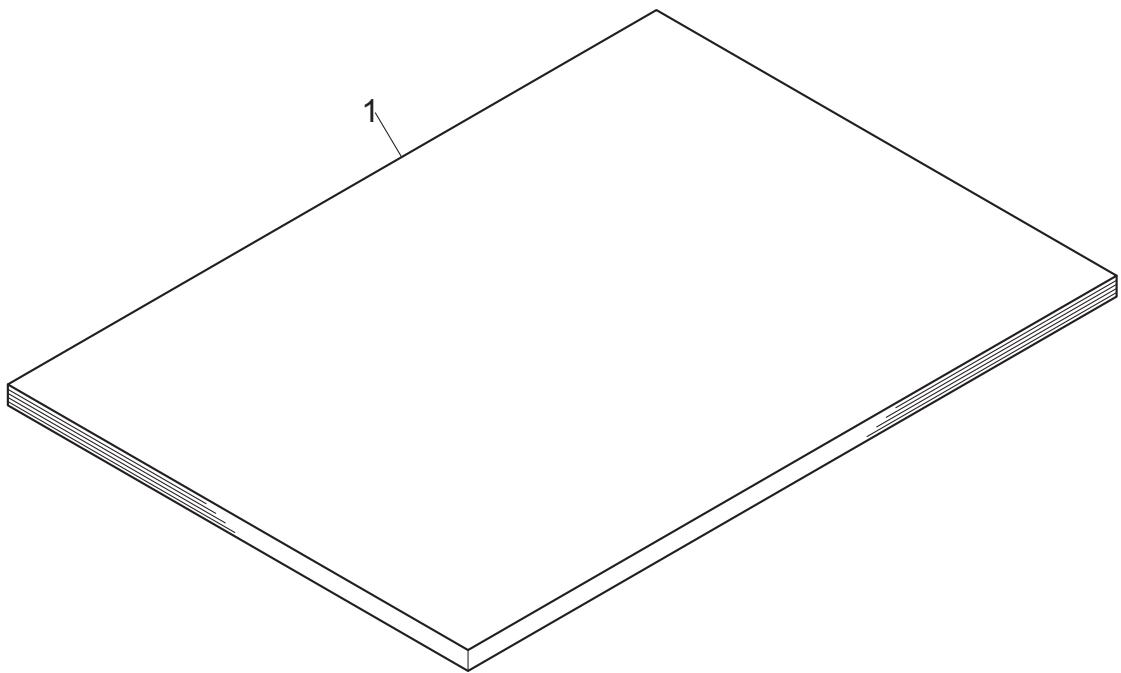
DCP9010CN, MFC9010CN,  
MFC9120CN, MFC9125CN,  
MFC9320CW, MFC9325CW



14. ACCESSORIES

REF No.	CODE	Q'TY	DESCRIPTION	REMARKS
3	LS8729001	1	CDROM ASSY, MFC9010CN/MFC9120CN/MFC9320CN FOR US/CAN/ARG/CHL/BRA (Windows)	add
3	LS8739001	1	CDROM ASSY EXCEPT FOR CHN (Macintosh)	add
3	LS8730001	1	CDROM ASSY, DCP9010CN/MFC9010CN/MFC9120CN/MFC9320CW FOR GER/UK/FRA/CHE/AUS/ISR/SGP/GUL/KOR/IND/ARL/NZ (Windows)	add
3	LS8732001	1	CDROM ASSY, DCP9010CN FOR FRA/BEL/NLD (Windows)	add
3	LS8731001	1	CDROM ASSY FOR CHE/SPA/ITA/POR/IBR (Windows)	add
3	LS8737001	1	CDROM ASSY FOR CHN (Windows)	add
3	LS8740001	1	CDROM ASSY FOR CHN (Macintosh)	add
3	LS8736001	1	CDROM ASSY FOR TUR/RUS (Windows)	add
3	LS8734001	1	CDROM ASSY FOR POL/CEE (Windows)	add
3	LS8733001	1	CDROM ASSY FOR PND (Windows)	add
3	LS8735001	1	CDROM ASSY FOR CEE (Windows)	add
4	LU6123001	1	DRUM CLEANING SHEET KIT (SP)	
5	LG6573001	1	TELEPHONE LINE PLUG FOR ARL/NZ	
6	<del>LG3622001</del>	4	TELEPHONE LINE PLUG FOR NLD	DEL
7	LG5829001	1	TELEPHONE LINE PLUG FIN FOR PND	
8	LG5828001	1	TELEPHONE LINE PLUG DEN FOR PND	
9	LG5830001	1	TELEPHONE LINE PLUG SWE FOR PND	
40	<del>LS8564001</del>	4	<del>CDROM ASSY, MFC9010CN/MFC9120CN/MFC9320CW FOR US/CAN/ARG/CHL/BRA (Windows7)</del>	del
40	<del>LS8567001</del>	4	<del>CDROM ASSY, DCP9010CN FOR FRA/BEL/NLD, MFC9120CN/MFC9320CW FOR BEL/NLD (Windows7)</del>	del
40	LS8565001	4	CDROM ASSY, DCP9010CN/MFC9120CN/MFC9320CW FOR GER/UK/FRA/CHE/AUS/ISR/SGP/GUL/KOR/IND/ARL/NZ (Windows7)	del
40	LS8566001	4	CDROM ASSY, DCP9010CN FOR CHE/ITA/IBR, MFC9120CN/MFC9320CW FOR CHE/SPA/ITA/ POR (Windows7)	del
40	<del>LS8572001</del>	4	<del>CDROM ASSY, DCP9010CN/MFC9120CN/MFC9320CW FOR CHN (Windows7)</del>	del
40	<del>LS8569001</del>	4	<del>CDROM ASSY, DCP9010CN/MFC9120CN/MFC9320CW FOR POL/CEE (Windows7)</del>	del
40	<del>LS8571001</del>	4	<del>CDROM ASSY, DCP9010CN/MFC9120CN/MFC9320CW FOR TUR/RUS (Windows7)</del>	del
40	<del>LS8568001</del>	4	<del>CDROM ASSY, DCP9010CN/MFC9120CN/MFC9320CW FOR PND (Windows7)</del>	del
40	<del>LS8570001</del>	4	<del>CDROM ASSY, DCP9010CN/MFC9120CN/MFC9320CW FOR CEE (Windows7)</del>	del
11	LJ9803001	1	USB CABLE 2.0	
12	LU6542001	1	DRM COVER BCL ASSY(SP)	add

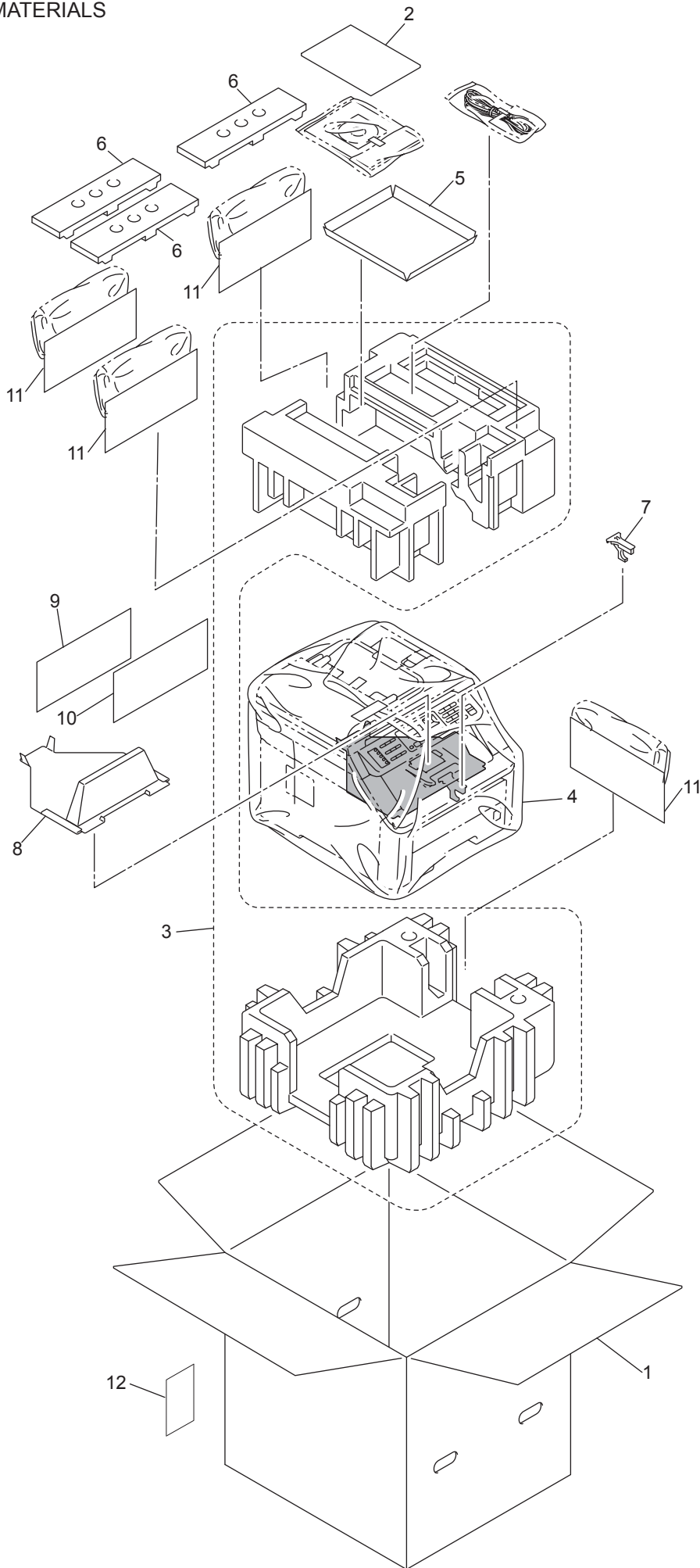
15.PRINTED MATERIALS



15.PRINTED MATERIALS

REF No.	CODE	Q'TY	DESCRIPTION	REMARKS
1	LS8315001	1	USER'S GUIDE, MFC9010CN FOR US/CAN	
1	LS8239001	1	USER'S GUIDE, MFC9120CN/MFC9320CW FOR US/CAN	
1	LS8782001	1	USER'S GUIDE, MFC9125CN/MFC9325CW FOR US/CAN	
1	LS8315002	1	USER'S GUIDE, MFC9010CN FOR CAN (FRENCH)	
1	LS8239002	1	USER'S GUIDE, MFC9120CN/MFC9320CW FOR CAN (FRENCH)	
1	LS8782002	1	USER'S GUIDE, MFC9125CN/MFC9325CW FOR CAN (FRENCH)	
1	LS8284003	1	USER'S GUIDE, MFC9120CN/MFC9320CW FOR GER/AUS	
1	LS8284004	1	USER'S GUIDE, MFC9120CN/MFC9320CW FOR UK/ISR	
1	LS8284005	1	USER'S GUIDE, MFC9120CN/MFC9320CW FOR FRA	
1	LS8284008	1	USER'S GUIDE, MFC9120CN/MFC9320CW FOR BEL (DUTCH)	
1	LS8284009	1	USER'S GUIDE, MFC9120CN/MFC9320CW FOR NLD	
1	LS8284058	1	USER'S GUIDE, MFC9120CN/MFC9320CW FOR BEL/CHE (FRENCH)	
1	LS8284010	1	USER'S GUIDE, MFC9120CN/MFC9320CW FOR CHE (GERMAN)	
1	LS8284015	1	USER'S GUIDE, MFC9120CN/MFC9320CW FOR SPA	
1	LS8284016	1	USER'S GUIDE, MFC9120CN/MFC9320CW FOR CHE/ITA (ITALIAN)	
1	LS8284018	1	USER'S GUIDE, MFC9120CN/MFC9320CW FOR POR	
1	LS8623020	1	USER'S GUIDE, DCP9010CN FOR CHN	
1	LS8510020	1	USER'S GUIDE, MFC9120CN/MFC9320CW FOR CHN	
1	LS8629025	1	USER'S GUIDE, DCP9010CN FOR TUR	
1	LS8284025	1	USER'S GUIDE, MFC9120CN/MFC9320CW FOR TUR	
1	LS8314031	1	USER'S GUIDE, MFC9120CN FOR ARG/CHL	
1	LS8629040	1	USER'S GUIDE, DCP9010CN FOR SGP/GUL/IND/ARL/NZ	
1	LS8284040	1	USER'S GUIDE, MFC9120CN/MFC9320CW FOR SGP/IND/ARL/NZ	
1	LS8284041	1	USER'S GUIDE, MFC9120CN/MFC9320CW FOR GUL	
1	LS8315042	1	USER'S GUIDE, MFC9010CN FOR BRA	
1	LS8284042	1	USER'S GUIDE, MFC9320CW FOR BRA	
1	LS8284048	1	USER'S GUIDE, MFC9120CN FOR RUS	
1	LS8791040	1	USER'S GUIDE, MFC9125CN/MFC9325CW FOR ARL/NZ	
1	LS8399007	1	USER'S GUIDE, MFC9120CN/MFC9320CW FOR PND (NORWEGIAN/SWEDISH)	
1	LS8399013	1	USER'S GUIDE, MFC9120CN/MFC9320CW FOR PND (DANISH/FINNISH)	

16.PACKING MATERIALS



16. PACKING MATERIALS

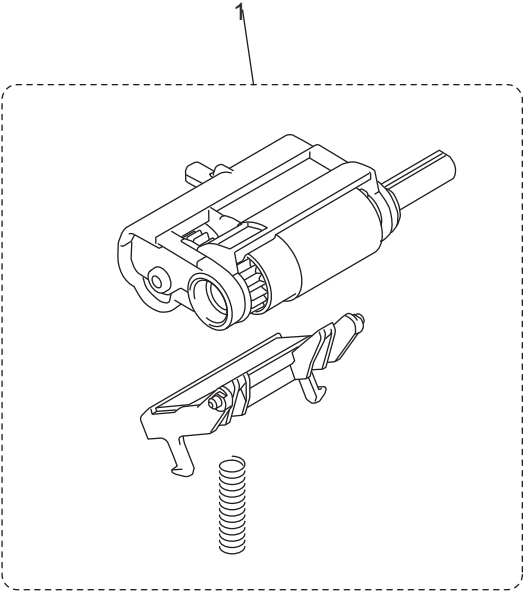
REF No.	CODE	Q'TY	DESCRIPTION	REMARKS
1	LS8345001	1	CARTON BROTHER, MFC9010CN FOR US	
1	LS8244001	1	CARTON BROTHER, MFC9120CN FOR US	
1	LS8748001	1	CARTON BROTHER, MFC9125CN FOR US	
1	LS8275001	1	CARTON BROTHER, MFC9320CW FOR US	
1	LS8754001	1	CARTON BROTHER, MFC9325CW FOR US	
1	LS8349001	1	CARTON BROTHER, MFC9010CN FOR CAN	
1	LS8323001	1	CARTON BROTHER, MFC9120CN FOR CAN	
1	LS8752001	1	CARTON BROTHER, MFC9125CN FOR CAN	
1	LS8342001	1	CARTON BROTHER, MFC9320CW FOR CAN	
1	LS8758001	1	CARTON BROTHER, MFC9325CW FOR CAN	
1	LS8287001	1	CARTON BROTHER, DCP9010CN FOR GER/UK/FRA/BEL/NLD/CHE/ITA/RUS/PND/IBR/CEE	
1	LS8285001	1	CARTON BROTHER, MFC9120CN FOR GER/UK/FRA/BEL/NLD/ CHE/AUS/SPA/ITA/ISR/POR/POL/RUS/PND/CEE	
1	LS8411001	1	CARTON BROTHER, MFC9320CW FOR GER/UK/FRA/BEL/NLD/ CHE/AUS/SPA/ITA/POR/POL/PND/CEE	
1	LS8518001	1	CARTON BROTHER, DCP9010CN FOR CHN	
1	LS8488001	1	CARTON BROTHER, MFC9120CN FOR CHN	
1	LS8520001	1	CARTON BROTHER, MFC9320CW FOR CHN	
1	LS8630001	1	CARTON BROTHER, DCP9010CN FOR TUR	
1	LS8669001	1	CARTON BROTHER, MFC9120CN FOR TUR	
1	LS8606001	1	CARTON BROTHER, MFC9320CW FOR TUR	
1	LS8340001	1	CARTON BROTHER, MFC9120CN FOR ARG/CHL	
1	LS8706001	1	CARTON BROTHER, DCP9010CN FOR SGP/GUL/IND	
4	<del>LS8716001</del>	4	<del>CARTON BROTHER, DCP9010CN FOR IND</del>	add DEL
1	LS8707001	1	CARTON BROTHER, MFC9120CN FOR SGP/GUL/IND	add
4	<del>LS8717001</del>	4	<del>CARTON BROTHER, MFC9120CN FOR IND</del>	DEL
1	LS8708001	1	CARTON BROTHER, MFC9320CW FOR SGP/GUL	add
1	LS8351001	1	CARTON BROTHER, MFC9010CN FOR BRA	
1	LS8344001	1	CARTON BROTHER, MFC9320CW FOR BRA	
1	LS8725001	1	CARTON BROTHER, MFC9120CN FOR KOR	
1	LS8634001	1	CARTON BROTHER, DCP9010CN FOR ARL/NZ	
1	LS8370001	1	CARTON BROTHER, MFC9120CN FOR ARL/NZ	
1	LS8766001	1	CARTON BROTHER, MFC9125CN FOR ARL/NZ	
1	LS8537001	1	CARTON BROTHER, MFC9320CW FOR ARL/NZ	
1	LS8770001	1	CARTON BROTHER, MFC9325CW FOR ARL/NZ	
2	LS8431001	1	QUICK SETUP GUIDE, MFC9010CN FOR US/CAN	
2	LS8243001	1	QUICK SETUP GUIDE, MFC9120CN FOR US/CAN	
2	LS8783001	1	QUICK SETUP GUIDE, MFC9125CN FOR US/CAN	
2	LS8279001	1	QUICK SETUP GUIDE, MFC9320CW FOR US/CAN	
2	LS8795001	1	QUICK SETUP GUIDE, MFC9325CW FOR US/CAN	
2	LS8431002	1	QUICK SETUP GUIDE, MFC9010CN FOR CAN (FRENCH)	
2	LS8243002	1	QUICK SETUP GUIDE, MFC9120CN FOR CAN (FRENCH)	
2	LS8783002	1	QUICK SETUP GUIDE, MFC9125CN FOR CAN (FRENCH)	
2	LS8279002	1	QUICK SETUP GUIDE, MFC9320CW FOR CAN (FRENCH)	
2	LS8795002	1	QUICK SETUP GUIDE, MFC9325CW FOR CAN (FRENCH)	
2	LS8444003	1	QUICK SETUP GUIDE, DCP9010CN FOR GER/CHE (GERMAN)	
2	LS8289003	1	QUICK SETUP GUIDE, MFC9120CN FOR GER/AUS	
2	LS8313003	1	QUICK SETUP GUIDE, MFC9320CW FOR GER/AUS	
2	LS8444004	1	QUICK SETUP GUIDE, DCP9010CN FOR UK	
2	LS8289004	1	QUICK SETUP GUIDE, MFC9120CN FOR UK/ISR	
2	LS8313004	1	QUICK SETUP GUIDE, MFC9320CW FOR UK	
2	LS8444005	1	QUICK SETUP GUIDE, DCP9010CN FOR FRA/BEL/NLD/CHE (FRENCH)	
2	LS8444009	1	QUICK SETUP GUIDE, DCP9010CN FOR FRA/BEL/NLD (DUTCH)	
2	LS8289005	1	QUICK SETUP GUIDE, MFC9120CN FOR FRA	
2	LS8313005	1	QUICK SETUP GUIDE, MFC9320CW FOR FRA	
2	LS8289008	1	QUICK SETUP GUIDE, MFC9120CN FOR BEL (DUTCH)	
2	LS8289058	1	QUICK SETUP GUIDE, MFC9120CN FOR BEL/CHE (FRENCH)	
2	LS8313008	1	QUICK SETUP GUIDE, MFC9320CW FOR BEL (DUTCH)	
2	LS8313058	1	QUICK SETUP GUIDE, MFC9320CW FOR BEL/CHE (FRENCH)	
2	LS8289009	1	QUICK SETUP GUIDE, MFC9120CN FOR NLD	
2	LS8313009	1	QUICK SETUP GUIDE, MFC9320CW FOR NLD	
2	LS8289010	1	QUICK SETUP GUIDE, MFC9120CN FOR CHE (GERMAN)	
2	LS8313010	1	QUICK SETUP GUIDE, MFC9320CW FOR CHE (GERMAN)	
2	LS8289016	1	QUICK SETUP GUIDE, MFC9120CN FOR CHE/ITA (ITALIAN)	
2	LS8624020	1	QUICK SETUP GUIDE, DCP9010CN FOR CHN	
2	LS8511020	1	QUICK SETUP GUIDE, MFC9120CN FOR CHN	
2	LS8533020	1	QUICK SETUP GUIDE, MFC9320CW FOR CHN	
2	LS8444025	1	QUICK SETUP GUIDE, DCP9010CN FOR TUR	
2	LS8289025	1	QUICK SETUP GUIDE, MFC9120CN FOR TUR	
2	LS8313025	1	QUICK SETUP GUIDE, MFC9320CW FOR TUR	
2	LS8289015	1	QUICK SETUP GUIDE, MFC9120CN FOR SPA	
2	LS8313015	1	QUICK SETUP GUIDE, MFC9320CW FOR SPA	
2	LS8444016	1	QUICK SETUP GUIDE, DCP9010CN FOR CHE/ITA (ITALIAN)	

8CE203, 8CE204, 8CE213,  
8CE217, 8CE233, 8CE237

DCP9010CN, MFC9010CN,  
MFC9120CN, MFC9125CN,  
MFC9320CW, MFC9325CW

16. PACKING MATERIALS

REF No.	CODE	Q'TY	DESCRIPTION	REMARKS
2	LS8313016	1	QUICK SETUP GUIDE, MFC9320CW FOR CHE/ITA (ITALIAN)	
2	LS8289018	1	QUICK SETUP GUIDE, MFC9120CN FOR POR	
2	LS8313018	1	QUICK SETUP GUIDE, MFC9320CW FOR POR	
2	LS8289031	1	QUICK SETUP GUIDE, MFC9120CN FOR ARG/CHL	
2	LS8289039	1	QUICK SETUP GUIDE, MFC9120CN FOR POL	
2	LS8313039	1	QUICK SETUP GUIDE, MFC9320CW FOR POL	
2	LS8444040	1	QUICK SETUP GUIDE, DCP9010CN FOR SGP/GUL/IND/ARL/NZ	
2	LS8289040	1	QUICK SETUP GUIDE, MFC9120CN FOR SGP/IND/ARL/NZ	
2	LS8792040	1	QUICK SETUP GUIDE, MFC9125CN FOR ARL/NZ	
2	LS8313040	1	QUICK SETUP GUIDE, MFC9320CW FOR SGP/ARL/NZ	
2	LS8797040	1	QUICK SETUP GUIDE, MFC9325CW FOR ARL/NZ	
2	LS8289041	1	QUICK SETUP GUIDE, MFC9120CN FOR GUL	
2	LS8313041	1	QUICK SETUP GUIDE, MFC9320CW FOR GUL	
2	LS8431042	1	QUICK SETUP GUIDE, MFC9010CN FOR BRA	
2	LS8313042	1	QUICK SETUP GUIDE, MFC9320CW FOR BRA	
2	LS8444048	1	QUICK SETUP GUIDE, DCP9010CN FOR RUS	
2	LS8289048	1	QUICK SETUP GUIDE, MFC9120CN FOR RUS	
2	LS8444007	1	QUICK SETUP GUIDE, DCP9010CN FOR PND (NORWEGIAN)	
2	LS8444012	1	QUICK SETUP GUIDE, DCP9010CN FOR PND (FINNISH)	
2	LS8444013	1	QUICK SETUP GUIDE, DCP9010CN FOR PND (DANISH)	
2	LS8444026	1	QUICK SETUP GUIDE, DCP9010CN FOR PND (SWEDISH)	
2	LS8289007	1	QUICK SETUP GUIDE, MFC9120CN FOR PND (NORWEGIAN)	
2	LS8289012	1	QUICK SETUP GUIDE, MFC9120CN FOR PND (FINNISH)	
2	LS8289013	1	QUICK SETUP GUIDE, MFC9120CN FOR PND (DANISH)	
2	LS8289026	1	QUICK SETUP GUIDE, MFC9120CN FOR PND (SWEDISH)	
2	LS8313007	1	QUICK SETUP GUIDE, MFC9320CW FOR PND (NORWEGIAN)	
2	LS8313012	1	QUICK SETUP GUIDE, MFC9320CW FOR PND (FINNISH)	
2	LS8313013	1	QUICK SETUP GUIDE, MFC9320CW FOR PND (DANISH)	
2	LS8313026	1	QUICK SETUP GUIDE, MFC9320CW FOR PND (SWEDISH)	
2	LS8444015	1	QUICK SETUP GUIDE, DCP9010CN FOR IBR (SPANISH)	
2	LS8444018	1	QUICK SETUP GUIDE, DCP9010CN FOR IBR (PORTUGUESE)	
2	LS8444037	1	QUICK SETUP GUIDE, DCP9010CN FOR CEE (CZECH/HUNGARIAN/POLISH)	
2	LS8444059	1	QUICK SETUP GUIDE, DCP9010CN FOR CEE (ENGLISH/BULGARIAN/ ROMANIAN/SLOVAK)	
2	LS8289037	1	QUICK SETUP GUIDE, MFC9120CN FOR CEE (CZECH/HUNGARIAN/POLISH)	
2	LS8289059	1	QUICK SETUP GUIDE, MFC9120CN FOR CEE (ENGLISH/BULGARIAN/ ROMANIAN/SLOVAK)	
2	LS8313037	1	QUICK SETUP GUIDE, MFC9320CW FOR CEE (CZECH/HUNGARIAN/POLISH)	
2	LS8313059	1	QUICK SETUP GUIDE, MFC9320CW FOR CEE (ENGLISH/BULGARIAN/ ROMANIAN/SLOVAK)	
3	LS8719001	1	POLYSTYRENE PAD ASSY	chg
4	UE1688001	1	PE BAG 1000X1000H	
5	LS8129001	1	OPTION CARTON	
6	LS8330001	3	OPTION PAD	
7	LU6110001	1	WASTE TONER LOCK (ORANGE PACKING MATERIAL)	
8	LS8817001	1	BELT UNIT PAD (ORANGE PACKING MATERIAL)	chg
9	LS8467001	1	PAD A	
10	LS8468001	1	PAD AB	
11	LS8695001	4	PAD B	del
12	LS8812001	1	CHINA ENERGY LABEL, DCP-9010CN FOR CHN	ADD
12	LX4887001	1	CHINA ENERGY LABEL, DCP-9055CDN FOR CHN	ADD
12	LS8833001	1	CHINA ENERGY LABEL, MFC-9120CN FOR CHN	ADD
12	LS8814001	1	CHINA ENERGY LABEL, MFC-9320CW FOR CHN	ADD
12	LX4899001	1	CHINA ENERGY LABEL, MFC-9465CDN FOR CHN	ADD



17. MAINTENANCE PARTS

REF No.	CODE	Q'TY	DESCRIPTION	REMARKS
1	LU6068001	1	PAPER FEEDING KIT (SP)	

8CE203, 8CE204, 8CE213,  
8CE217, 8CE233, 8CE237

DCP9010CN, MFC9010CN,  
MFC9120CN, MFC9125CN,  
MFC9320CW, MFC9325CW