

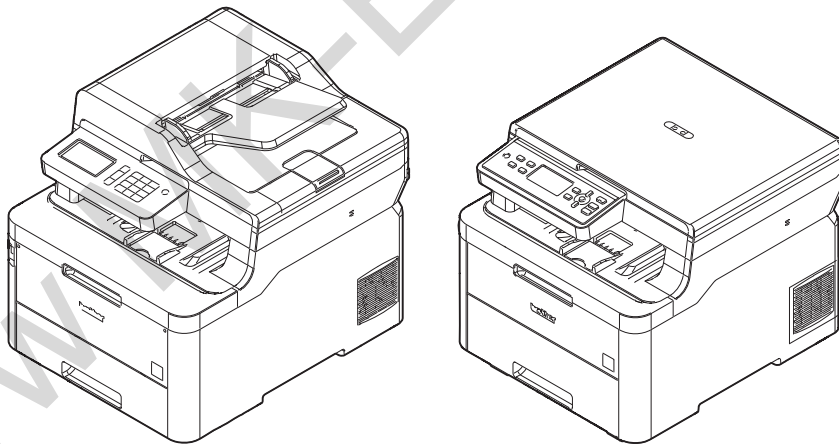


# Brother Laser MFC

## PARTS REFERENCE LIST

### MODEL

**DCP-9030CDN/L3510CDW/L3517CDW**  
**DCP-L3550CDW/L3551CDW**  
**HL-L3290CDW**  
**MFC-9150CDN/9350CDW**  
**MFC-L3710CW/L3730CDN/L3735CDN**  
**MFC-L3745CDW/L3750CDW/L3770CDW**



Read this list thoroughly before maintenance work.  
Keep this list in a convenient place for quick and easy reference at all times.

April 2018  
PL-FAX250  
8CE7\*

## NOTE FOR USING THIS PARTS REFERENCE LIST

1. In the case of ordering parts, it is necessary to mention the following items:

- (1) Code
- (2) Q'ty
- (3) Description

<Example>

	(1)	(2)	(3)			
REFNo.	CODE	Q'TY	DESCRIPTION	MODEL	SPEC	REMARKS

2. Design-changed parts:

If any of the parts code is changed in this Parts List, one of the following symbols is indicated in the REMARKS column.

CHG (chg): The parts code is changed for a new one in this Parts List.

ADD (add): The parts code is newly added in this Parts List.

DEL (del): The parts code is deleted in this Parts List.

Symbol in capital letters indicates the latest parts change information in the page.

3. Parts change will be informed by the Parts change information.

4. Parts are subject to change in design without prior notice.

## COUNTRIES & AREAS

ARL ----- AUSTRALIA

ASA ----- ASIA (SINGAPORE/GULF)

BRA ----- BRAZIL

CAN ----- CANADA

CEE ----- CEE GENERAL

CHL ----- CHILE

CHN ----- CHINA

FRA/BEL/NLD -----

FRANCE/BELGIUM/NETHERLANDS

GER ----- GERMANY

GUL ----- GULF

IBE ----- IBERIA (SPAIN/PORTUGAL)

IND ----- INDIA

ITA ----- ITALY

KOR ----- KOREA

NZ----- NEW ZEALAND

PHL----- PHILIPPINES

PND ----- PAN-NORDIC

(NORWAY/FINLAND/DENMARK/SWEDEN)

RUS---- RUSSIA

SWI ----- SWITZERLAND

TWN-----TAIWAN

UK ----- UNITED KINGDOM

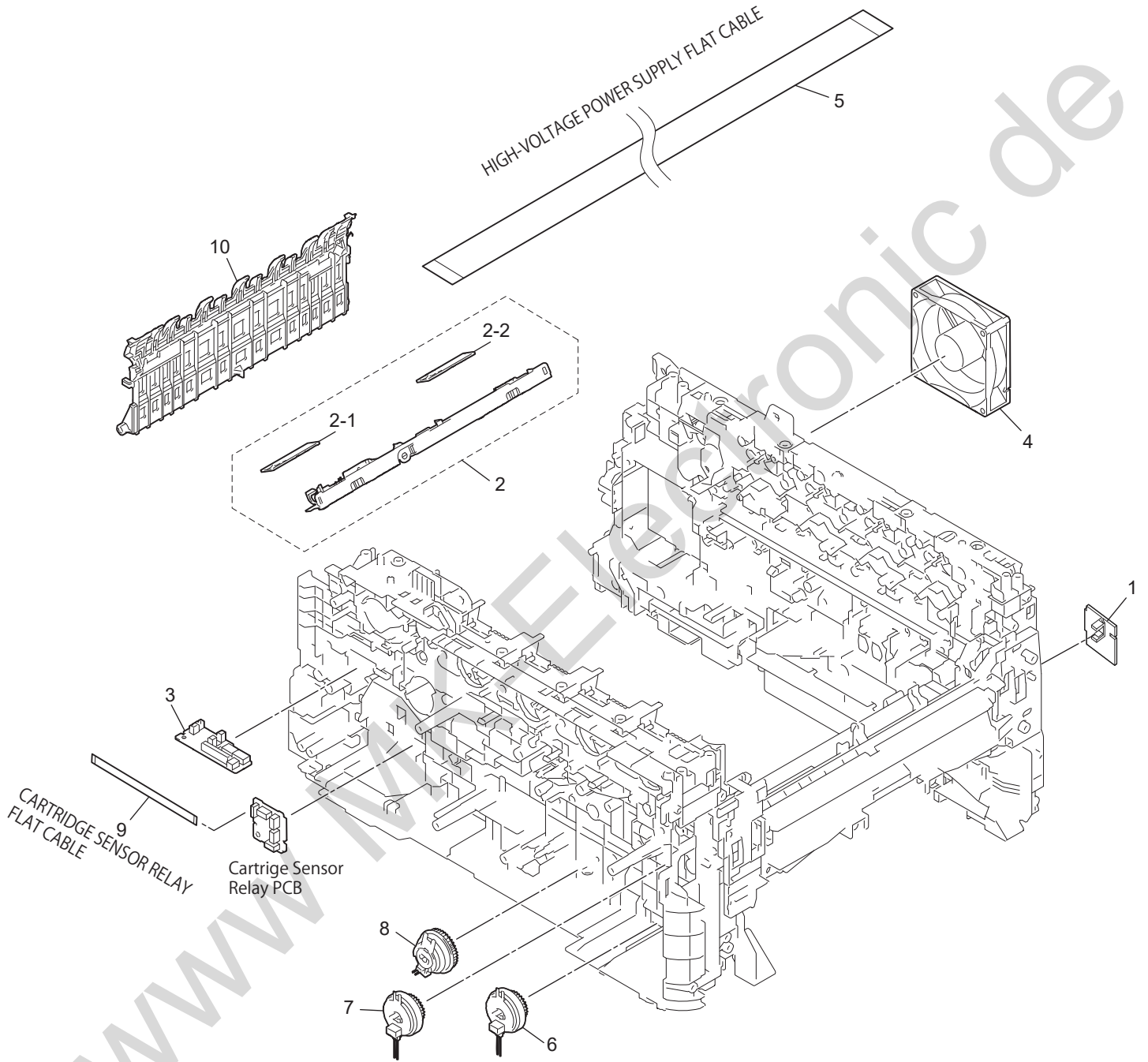
US ----- U.S.A.

# CONTENTS

1.	<u>FRAME</u> .....	1
2.	<u>MAIN DRIVE</u> .....	3
3.	<u>PROCESS DRIVE</u> .....	5
4.	<u>LED JOINT COVER</u> .....	7
5.	<u>PAPER FEEDER</u> .....	9
6.	<u>DX</u> .....	11
7.	<u>PAPER CASSETTE</u> .....	13
8.	<u>FUSER UNIT</u> .....	15
9.	<u>PAPER EJECT</u> .....	17
10.	<u>COVERS &amp; LABELS</u> .....	19
11.	<u>DOCUMENT SCANNER</u> .....	22
12.	<u>ADF</u> .....	24
13.	<u>PANEL</u> .....	27
14.	<u>PCB</u> .....	30
15.	<u>OPTION</u> .....	33
16.	<u>PACKING MATERIALS</u> .....	35

www.MK-Electronic.de

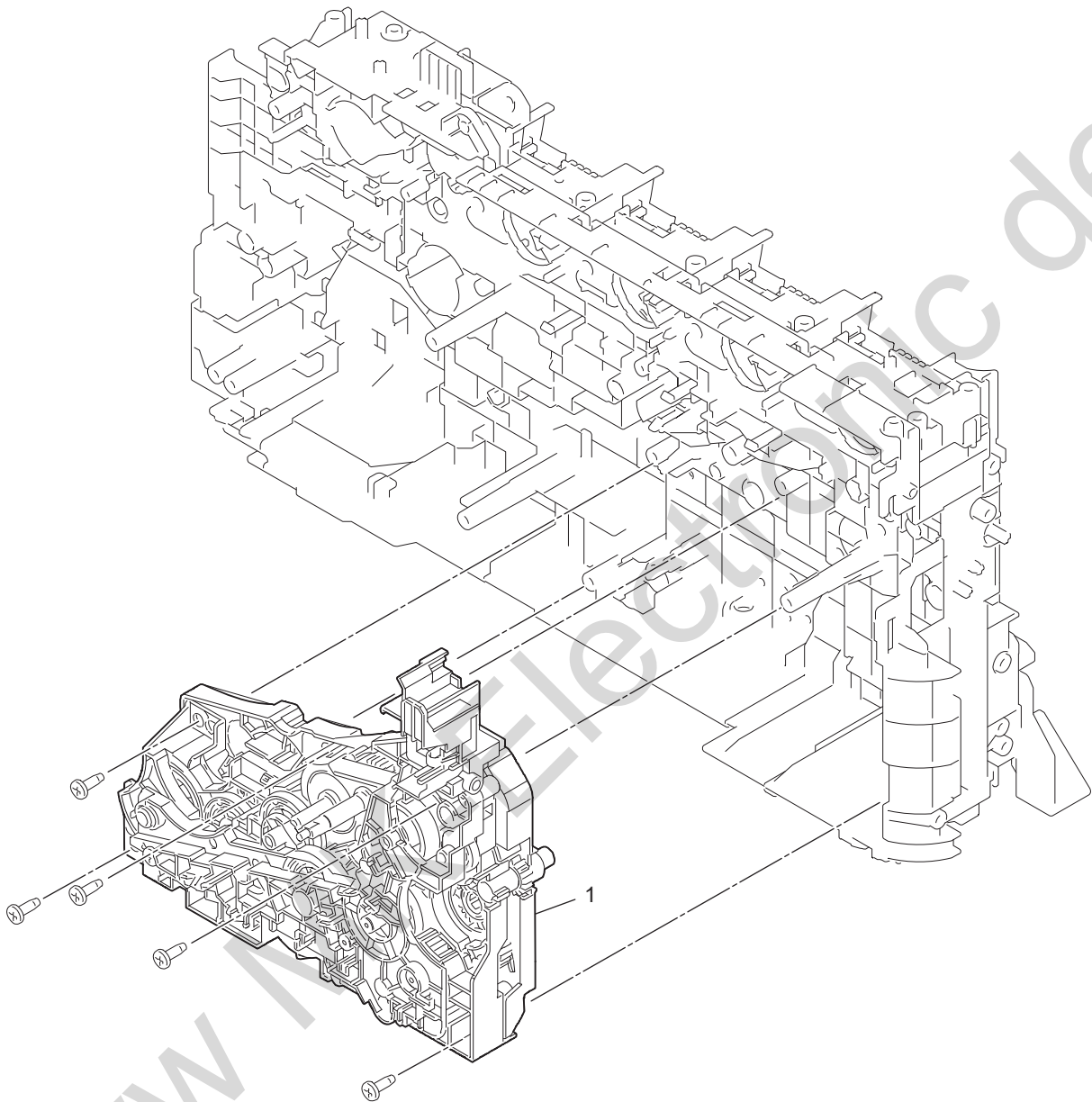
# 1. FRAME



1. FRAME

REF NO.	CODE	Q'TY	DESCRIPTION	MODEL	SPEC	REMARKS
1	D00WDU001	1	DEVELOP RELEASE SENSOR PCB			
2	D00N5A001	1	REGISTRATION MARK SENSOR ASSY			
2-1	D00M1U001	1	REGISTRATION MARK SENSOR L			
2-2	D00M1T001	1	REGISTRATION MARK SENSOR R			
3	D00L36001	1	EJECT SENSOR PCB			
4	D00KBX001	1	FAN			
5	D007GT001	1	HIGH-VOLTAGE POWER SUPPLY FLAT CABLE			
6	LY6134001	1	T1 PICK-UP CLUTCH			
7	LY6136001	1	REGISTRATION CLUTCH			
8	LR2302001	1	DEVELOP RELEASE CLUTCH			
9	D00HND001	1	CARTRIDGE SENSOR RELAY FLAT CABLE		FOR GER/UK/ARL/SWI/FRA/BEL/ NLD/IBE/CEE/PND/USA/CAN/ ITA/NZ	
10	D011XL001	1	REAR FLAPPER SUB ASSY SP	DCP-9030CDN		
10	D011XL001	1	REAR FLAPPER SUB ASSY SP	DCP-L3510CDW		
10	D011XL001	1	REAR FLAPPER SUB ASSY SP	DCP-L3517CDW		
10	D011XL001	1	REAR FLAPPER SUB ASSY SP	DCP-L3550CDW		
10	D011XL001	1	REAR FLAPPER SUB ASSY SP	DCP-L3551CDW		
10	D011XL001	1	REAR FLAPPER SUB ASSY SP	HL-L3290CDW		
10	D011XL001	1	REAR FLAPPER SUB ASSY SP	MFC-9150CDN		
10	D011XL001	1	REAR FLAPPER SUB ASSY SP	MFC-9350CDW		
10	D011XL001	1	REAR FLAPPER SUB ASSY SP	MFC-L3730CDN		
10	D011XL001	1	REAR FLAPPER SUB ASSY SP	MFC-L3735CDN		
10	D011XL001	1	REAR FLAPPER SUB ASSY SP	MFC-L3745CDW		
10	D011XL001	1	REAR FLAPPER SUB ASSY SP	MFC-L3750CDW		
10	D011XL001	1	REAR FLAPPER SUB ASSY SP	MFC-L3770CDW		

## 2. MAIN DRIVE

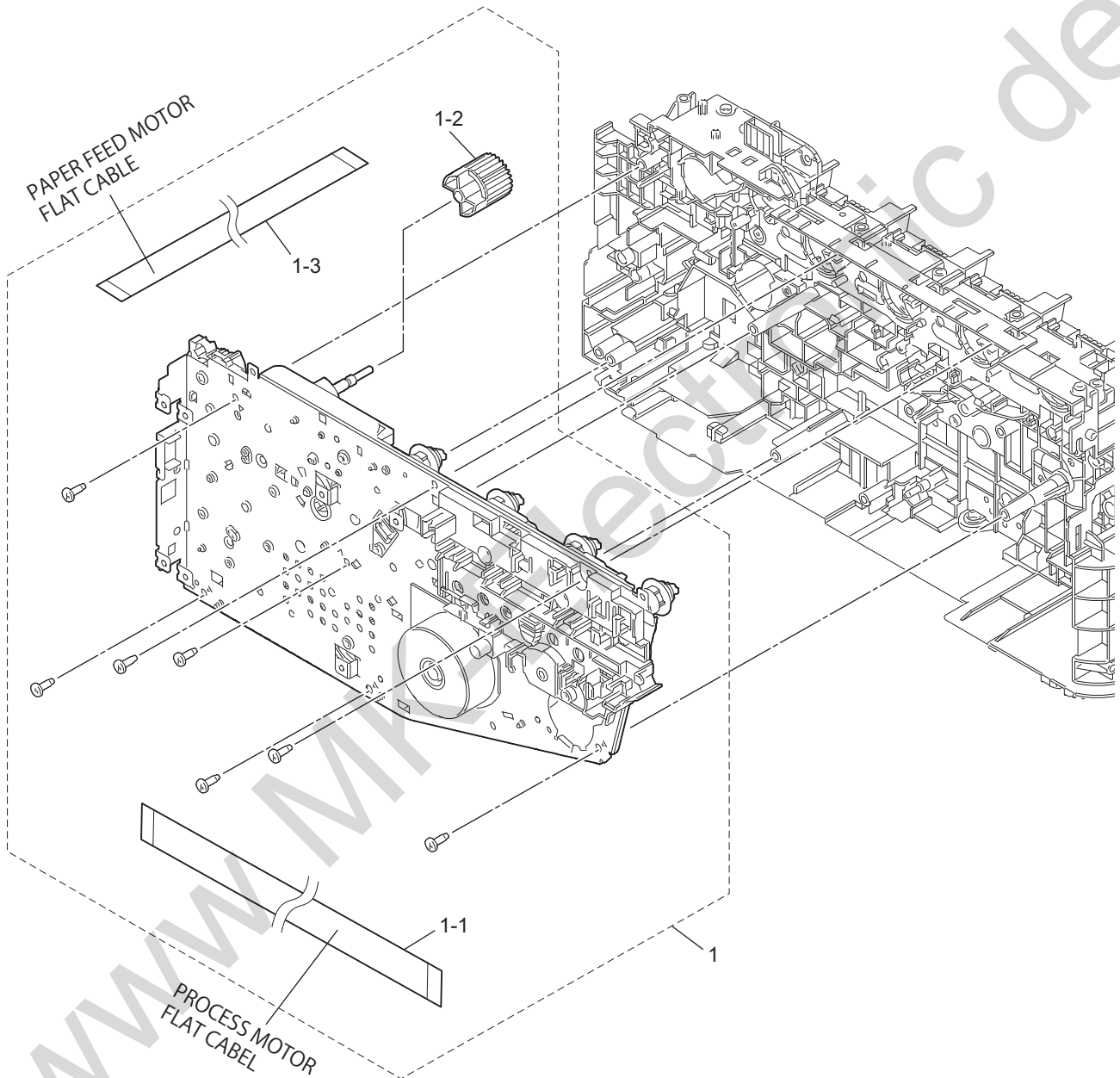


2. MAIN DRIVE

REF NO.	CODE	Q'TY	DESCRIPTION	MODEL	SPEC	REMARKS
1	D011XN001	1	PAPER FEED DRIVE UNIT DX SP	DCP-9030CDN		
1	D011XN001	1	PAPER FEED DRIVE UNIT DX SP	DCP-L3510CDW		
1	D011XN001	1	PAPER FEED DRIVE UNIT DX SP	DCP-L3517CDW		
1	D011XN001	1	PAPER FEED DRIVE UNIT DX SP	DCP-L3550CDW		
1	D011XN001	1	PAPER FEED DRIVE UNIT DX SP	DCP-L3551CDW		
1	D011XN001	1	PAPER FEED DRIVE UNIT DX SP	HL-L3290CDW		
1	D011XN001	1	PAPER FEED DRIVE UNIT DX SP	MFC-9150CDN		
1	D011XP001	1	PAPER FEED DRIVE UNIT DX SP	MFC-9350CDW		
1	D011XM001	1	PAPER FEED DRIVE UNIT SX SP	MFC-L3710CW		
1	D011XN001	1	PAPER FEED DRIVE UNIT DX SP	MFC-L3730CDN		
1	D011XN001	1	PAPER FEED DRIVE UNIT DX SP	MFC-L3735CDN		
1	D011XN001	1	PAPER FEED DRIVE UNIT DX SP	MFC-L3745CDW		
1	D011XN001	1	PAPER FEED DRIVE UNIT DX SP	MFC-L3750CDW		
1	D011XP001	1	PAPER FEED DRIVE UNIT DX SP	MFC-L3770CDW		

www MK-Electronic.de

### 3. PROCESS DRIVE



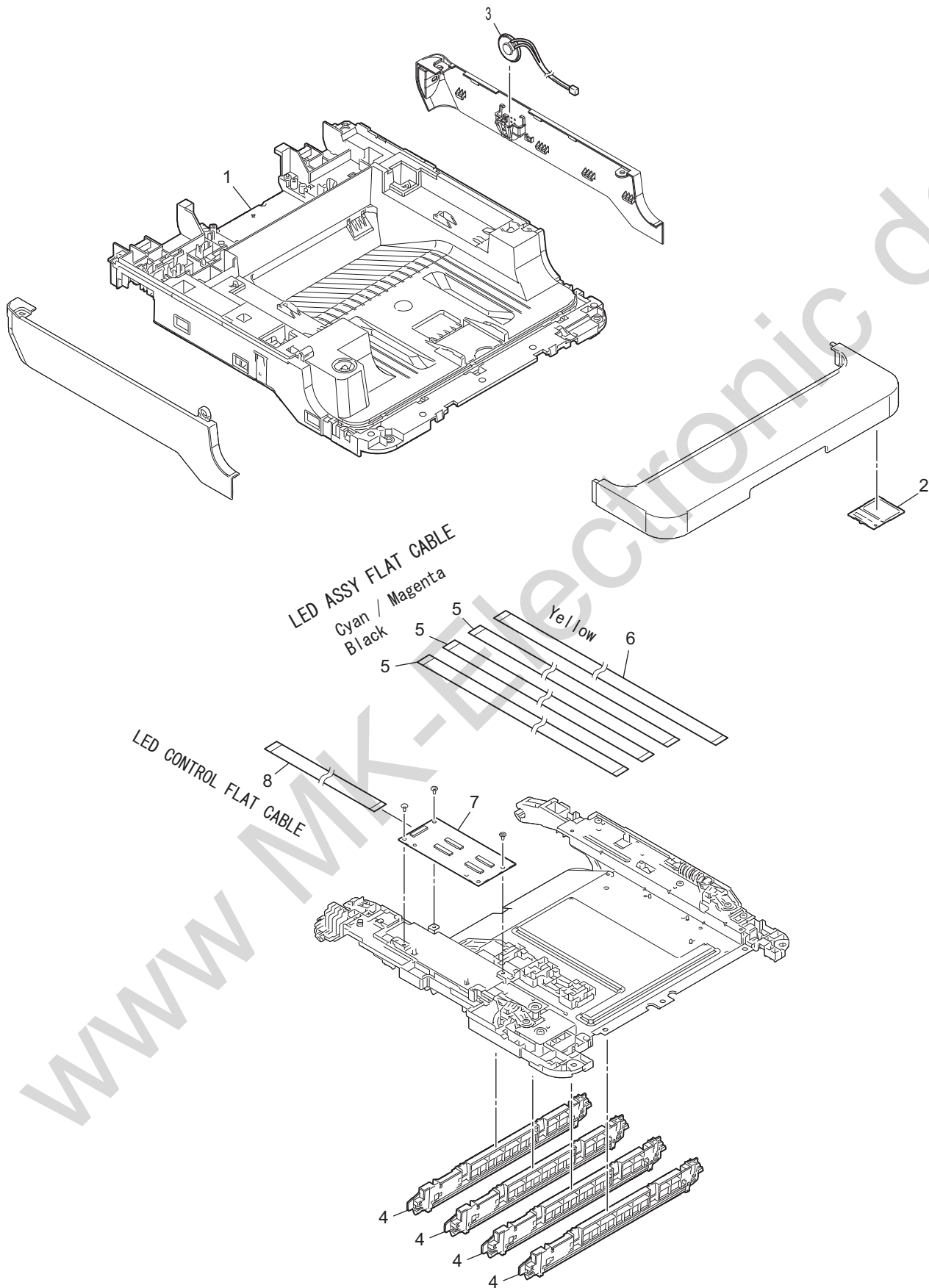


3. PROCESS DRIVE

REF NO.	CODE	Q'TY	DESCRIPTION	MODEL	SPEC	REMARKS
1	D011XT001	1	PROCESS DRIVE UNIT SP			
1-1	D00HYF001	1	PROCESS MOTOR FLAT CABLE			
1-2	LY0233001	1	FUSER DRIVE GEAR Z25			
1-3	D00HYG001	1	PAPER FEED MOTOR FLAT CABLE			

www MK-Electronic.de

#### 4. LED JOINT COVER

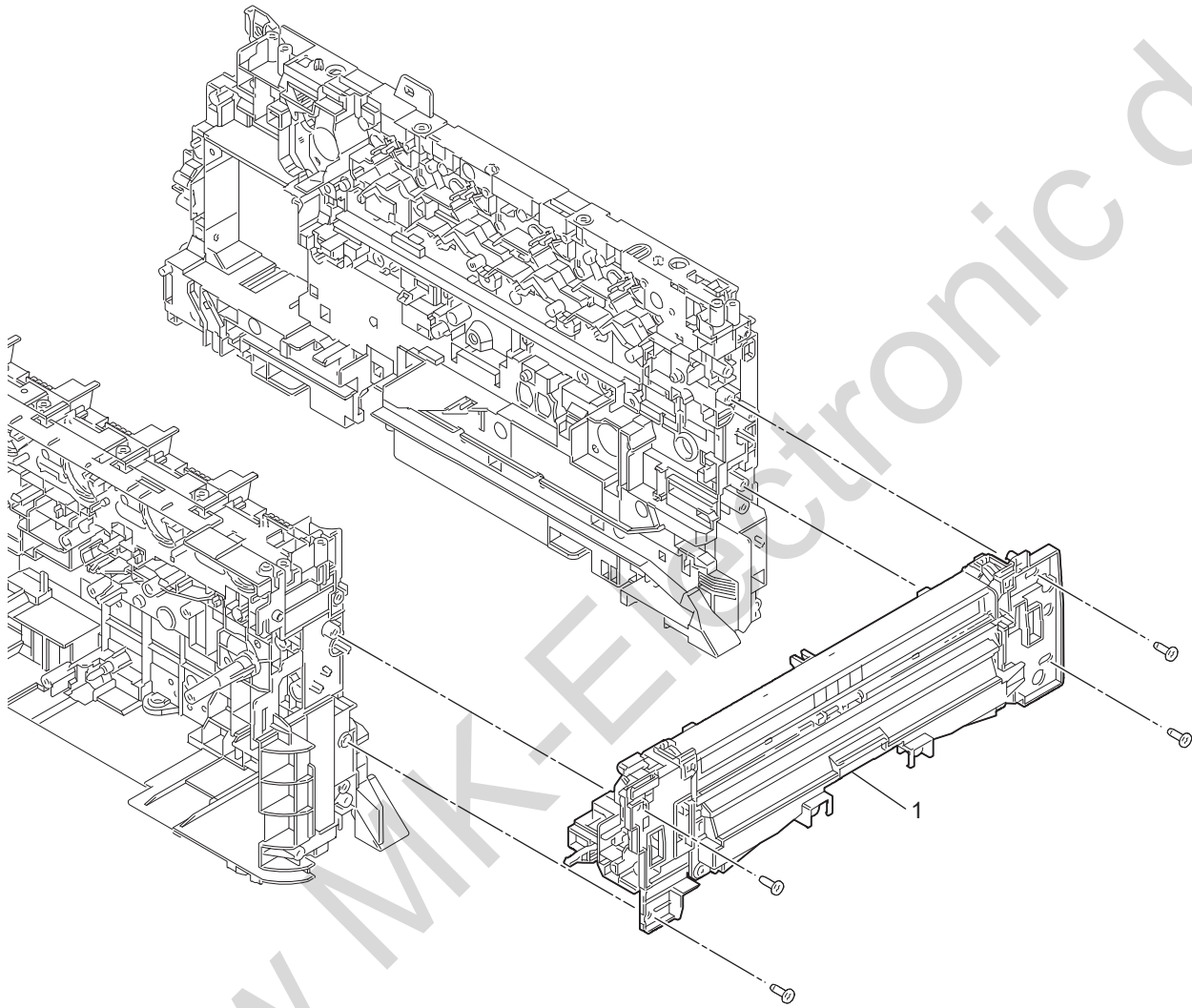


4. LED JOINT COVER

REF NO.	CODE	Q'TY	DESCRIPTION	MODEL	SPEC	REMARKS
1	D011YG002	1	JOINT COVER ASSY 002 SP	DCP-9030CDN		
1	D011YG002	1	JOINT COVER ASSY 002 SP	DCP-L3510CDW		
1	D011YG002	1	JOINT COVER ASSY 002 SP	DCP-L3517CDW		
1	D011YG002	1	JOINT COVER ASSY 002 SP	DCP-L3550CDW		
1	D011YG002	1	JOINT COVER ASSY 002 SP	DCP-L3551CDW		
1	D011YE001	1	JOINT COVER ASSY 001 SP	HL-L3290CDW		
1	D011YE001	1	JOINT COVER ASSY 001 SP	MFC-9150CDN		
1	D011YE001	1	JOINT COVER ASSY 001 SP	MFC-9350CDW		
1	D011YG002	1	JOINT COVER ASSY 002 SP	MFC-L3710CW	FOR USA/CAN	
1	D011YE001	1	JOINT COVER ASSY 001 SP	MFC-L3710CW	FOR GER/UK/NZ/FRA/BEL/NLD/ IBE	
1	D011YE001	1	JOINT COVER ASSY 001 SP	MFC-L3730CDN		
1	D011YE001	1	JOINT COVER ASSY 001 SP	MFC-L3735CDN		
1	D011YE001	1	JOINT COVER ASSY 001 SP	MFC-L3745CDW		
1	D011YE001	1	JOINT COVER ASSY 001 SP	MFC-L3750CDW		
1	D011YE001	1	JOINT COVER ASSY 001 SP	MFC-L3770CDW		
2	D00XAJ001	1	NFC PCB	MFC-9350CDW		
2	D00XAJ001	1	NFC PCB	MFC-L3770CDW		
3	D00J9P001	1	SPEAKER UNIT			
4	D011XU001	4	LED ASSY SP			
5	D009KY001	3	LED ASSY FLAT CABLE BK/C/M			
6	D00FVE001	1	LED ASSY FLAT CABLE Y			
7	D00CC8001	1	LED CONTROL PCB			
8	D009UY001	1	LED CONTROL FLAT CABLE			

www.MK-Electronic.de

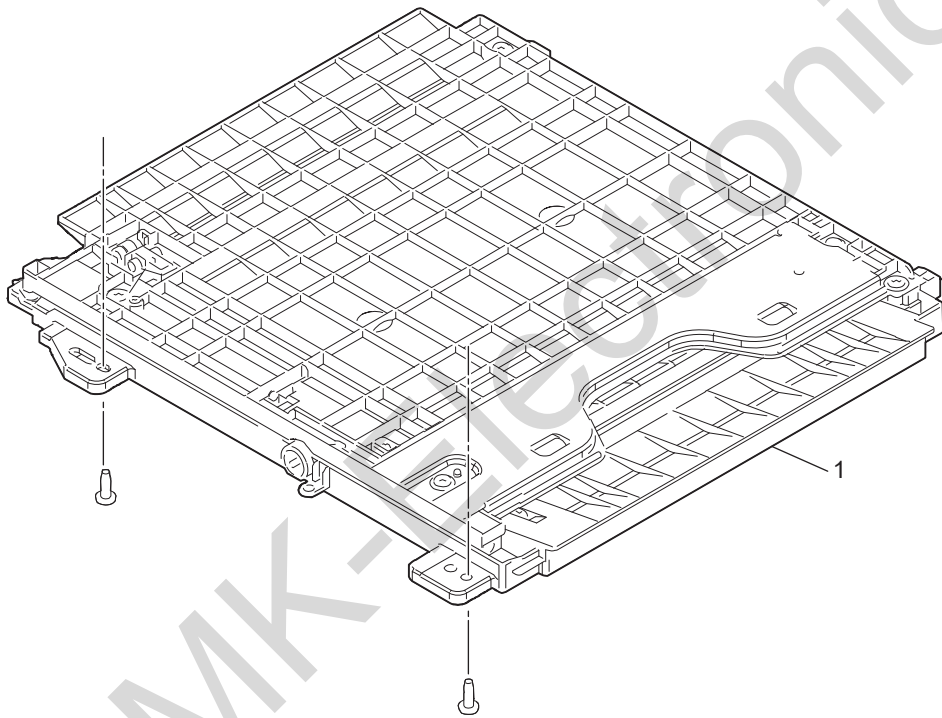
## 5. PAPER FEEDER



5. PAPER FEEDER

REF NO.	CODE	Q' TY	DESCRIPTION	MODEL	SPEC	REMARKS
1	D007AF001	1	PAPER FEED UNIT	DCP-9030CDN		
1	D007AF001	1	PAPER FEED UNIT	DCP-L3510CDW		
1	D007AF001	1	PAPER FEED UNIT	DCP-L3517CDW		
1	D007AF001	1	PAPER FEED UNIT	DCP-L3550CDW		
1	D007AF001	1	PAPER FEED UNIT	DCP-L3551CDW		
1	D007AF001	1	PAPER FEED UNIT	HL-L3290CDW		
1	D007AF001	1	PAPER FEED UNIT	MFC-9150CDN		
1	D007DG001	1	PAPER FEED UNIT	MFC-9350CDW		
1	D007AF001	1	PAPER FEED UNIT	MFC-L3710CW		
1	D007AF001	1	PAPER FEED UNIT	MFC-L3730CDN		
1	D007AF001	1	PAPER FEED UNIT	MFC-L3735CDN		
1	D007AF001	1	PAPER FEED UNIT	MFC-L3745CDW		
1	D007AF001	1	PAPER FEED UNIT	MFC-L3750CDW		
1	D007DG001	1	PAPER FEED UNIT	MFC-L3770CDW		

www MK-Electronic.de

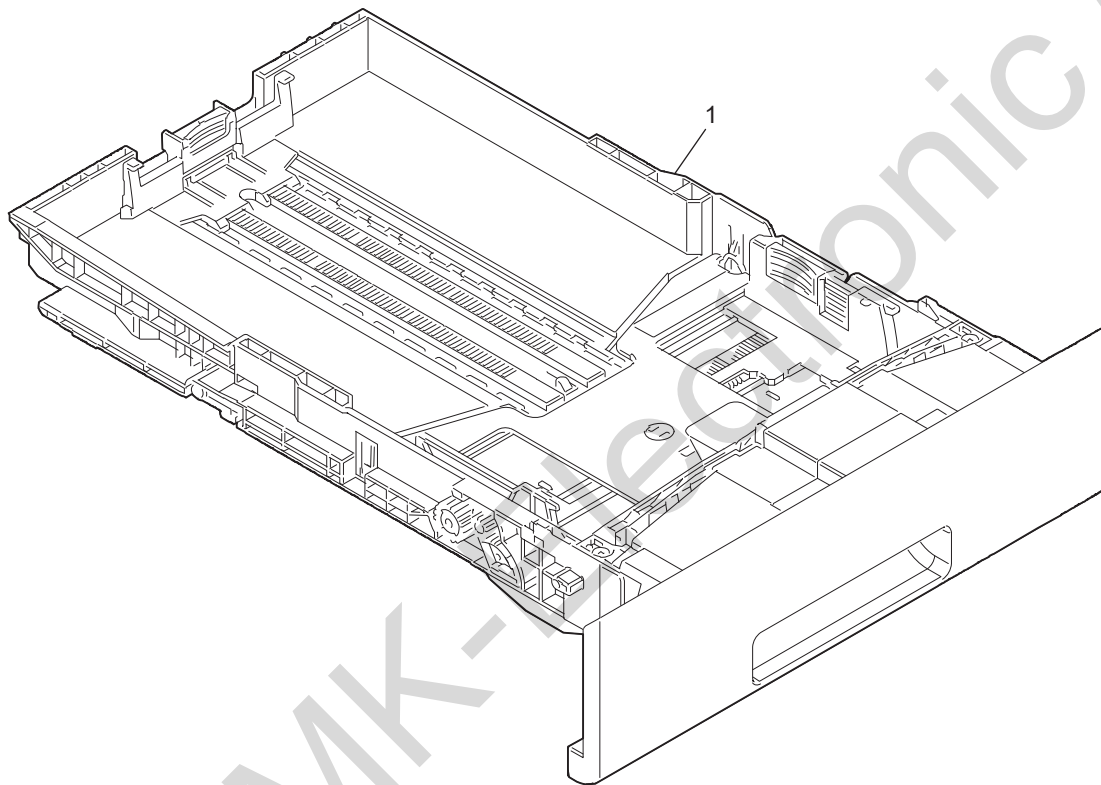


6. DX

REF NO.	CODE	Q'TY	DESCRIPTION	MODEL	SPEC	REMARKS
1	D00DXT001	1	DUPLEX TRAY A4	DCP-9030CDN		
1	D00DXT001	1	DUPLEX TRAY A4	DCP-L3510CDW		
1	D00DXT001	1	DUPLEX TRAY A4	DCP-L3517CDW		
1	D00DXT001	1	DUPLEX TRAY A4	DCP-L3550CDW		
1	D00DXT001	1	DUPLEX TRAY A4	DCP-L3551CDW	FOR NZ/ASA/GULF/IND	
1	D007FE001	1	DUPLEX TRAY LTR	DCP-L3551CDW	FOR CHL/BRA	
1	D007FE001	1	DUPLEX TRAY LTR	HL-L3290CDW		
1	D00DXT001	1	DUPLEX TRAY A4	MFC-9150CDN		
1	D00DXT001	1	DUPLEX TRAY A4	MFC-9350CDW		
1	D00DXT001	1	DUPLEX TRAY A4	MFC-L3730CDN		
1	D00DXT001	1	DUPLEX TRAY A4	MFC-L3735CDN		
1	D00DXT001	1	DUPLEX TRAY A4	MFC-L3745CDW		
1	D007FE001	1	DUPLEX TRAY LTR	MFC-L3750CDW	FOR USA/CAN/CHL/BRA	
1	D00DXT001	1	DUPLEX TRAY A4	MFC-L3750CDW	FOR GER/UK/ARL/SWI/ITA/ IBE/FRA/BEL/NLD/PND/TWN/ ASA/GULF/KOR	
1	D007FE001	1	DUPLEX TRAY LTR	MFC-L3770CDW	FOR USA/CAN/PHL	
1	D00DXT001	1	DUPLEX TRAY A4	MFC-L3770CDW	FOR GER/UK/ARL/SWI/ITA/ IBE/NZ/FRA/BEL/NLD/CEE/ ASA/RUS	

www.MK-Electronics.de

## 7. PAPER CASSETTE



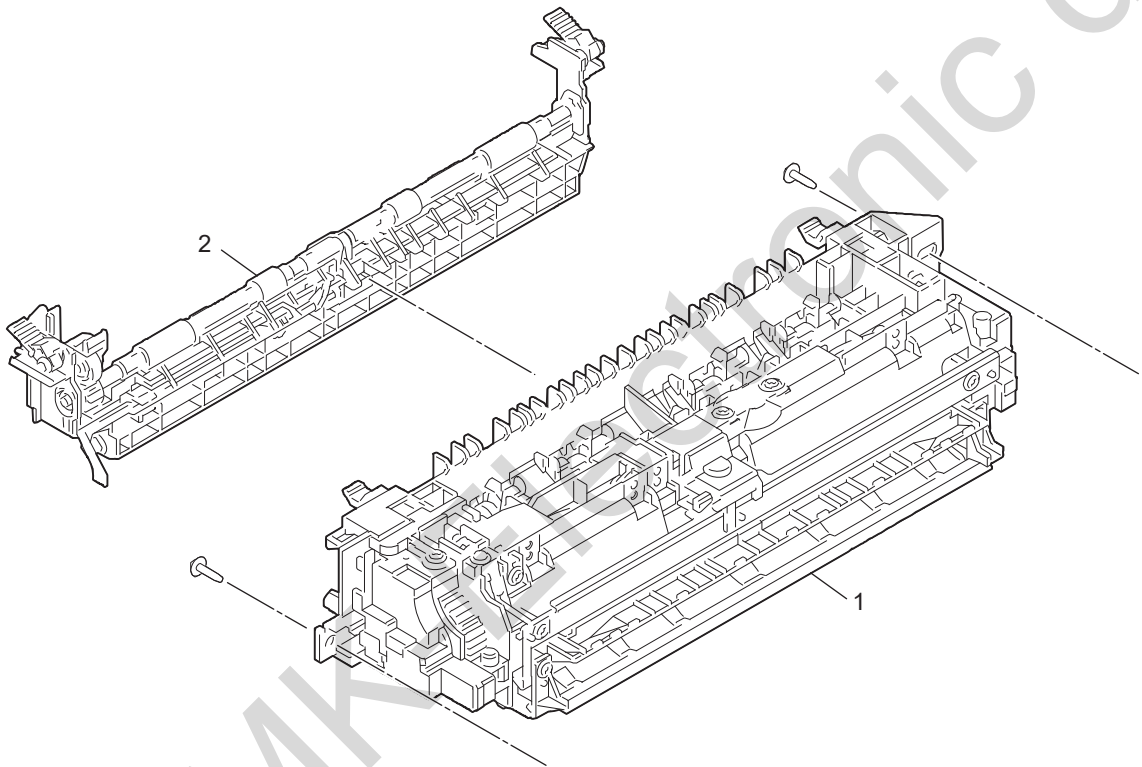


7. PAPER CASSETTE

REF NO.	CODE	Q' TY	DESCRIPTION	MODEL	SPEC	REMARKS
1	D007DK001	1	PAPER TRAY DX	DCP-9030CDN		
1	D007DK001	1	PAPER TRAY DX	DCP-L3510CDW		
1	D007DK001	1	PAPER TRAY DX	DCP-L3517CDW		
1	D007DK001	1	PAPER TRAY DX	DCP-L3550CDW		
1	D007DK001	1	PAPER TRAY DX	DCP-L3551CDW		
1	D007DK001	1	PAPER TRAY DX	HL-L3290CDW		
1	D007DK001	1	PAPER TRAY DX	MFC-9150CDN		
1	D0094P001	1	PAPER TRAY FLAGSHIP	MFC-9350CDW		
1	D007EJ001	1	PAPER TRAY SX	MFC-L3710CW		
1	D007DK001	1	PAPER TRAY DX	MFC-L3730CDN		
1	D007DK001	1	PAPER TRAY DX	MFC-L3735CDN		
1	D007DK001	1	PAPER TRAY DX	MFC-L3745CDW		
1	D007DK001	1	PAPER TRAY DX	MFC-L3750CDW		
1	D0094P001	1	PAPER TRAY FLAGSHIP	MFC-L3770CDW		

www MK-Electronic.de

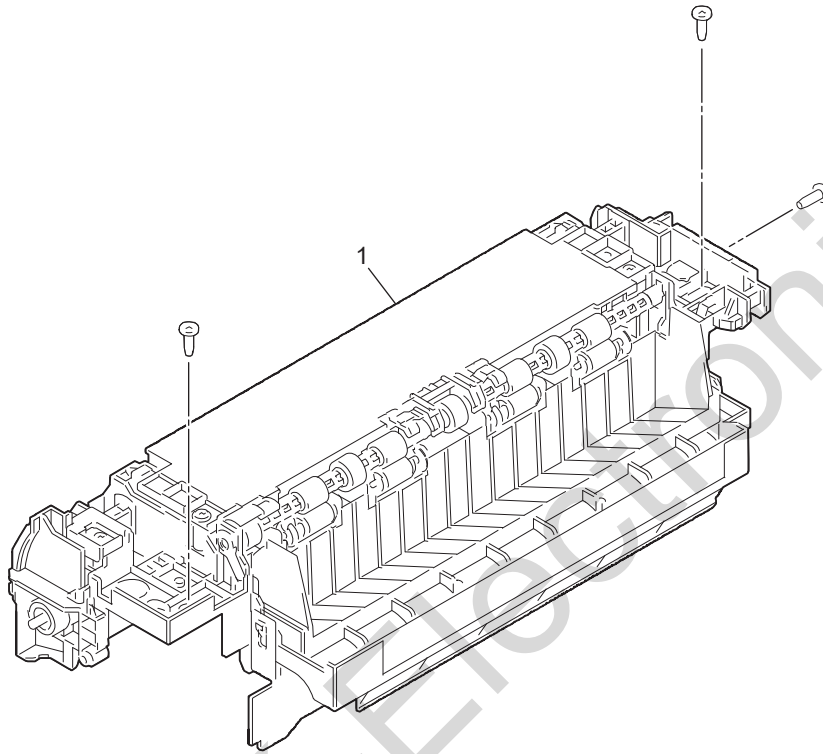
## 8. FUSER UNIT



8. FUSER UNIT

REF NO.	CODE	Q'TY	DESCRIPTION	MODEL	SPEC	REMARKS
1	D010R4001	1	FUSER UNIT B 230T (SP)	DCP-9030CDN		
1	D0135X001	1	FUSER UNIT 230S E (SP)	DCP-L3510CDW	FOR GER/UK/ARL/SWI/FRA/BEL/ NLD/IBE/CEE	
1	D010R1001	1	FUSER UNIT B 230S (SP)	DCP-L3510CDW	FOR GULF	
1	D0135X001	1	FUSER UNIT 230S E (SP)	DCP-L3517CDW		
1	D0135X001	1	FUSER UNIT 230S E (SP)	DCP-L3550CDW		
1	D0135X001	1	FUSER UNIT 230S E (SP)	DCP-L3551CDW	FOR NZ	
1	D010R1001	1	FUSER UNIT B 230S (SP)	DCP-L3551CDW	FOR CHL/ASA/GULF/IND	
1	D010R2001	1	FUSER UNIT B 127S (SP)	DCP-L3551CDW	FOR BRA	
1	D00N0D001	1	FUSER UNIT 115T (SP)	HL-L3290CDW		
1	D010R4001	1	FUSER UNIT B 230T (SP)	MFC-9150CDN		
1	D010R4001	1	FUSER UNIT B 230T (SP)	MFC-9350CDW		
1	D00N0B001	1	FUSER UNIT 115S (SP)	MFC-L3710CW	FOR USA/CAN	
1	D0135X001	1	FUSER UNIT 230S E (SP)	MFC-L3710CW	FOR GER/UK/NZ/FRA/BEL/NLD/ IBE	
1	D0135X001	1	FUSER UNIT 230S E (SP)	MFC-L3730CDN		
1	D010R4001	1	FUSER UNIT B 230T (SP)	MFC-L3735CDN		
1	D0135Y001	1	FUSER UNIT 230T E (SP)	MFC-L3745CDW		
1	D00N0D001	1	FUSER UNIT 115T (SP)	MFC-L3750CDW	FOR USA/CAN	
1	D0135Y001	1	FUSER UNIT 230T E (SP)	MFC-L3750CDW	FOR GER/UK/ARL/SWI/ITA/ IBE/FRA/BEL/NLD/PND	
1	D010R3001	1	FUSER UNIT B 115T (SP)	MFC-L3750CDW	FOR TWN	
1	D010R4001	1	FUSER UNIT B 230T (SP)	MFC-L3750CDW	FOR CHL/ASA/GULF/KOR	
1	D010R6001	1	FUSER UNIT B 127T (SP)	MFC-L3750CDW	FOR BRA	
1	D00N0D001	1	FUSER UNIT 115T (SP)	MFC-L3770CDW	FOR USA/CAN	
1	D0135Y001	1	FUSER UNIT 230T E (SP)	MFC-L3770CDW	FOR GER/UK/ARL/SWI/ITA/ IBE/NZ/FRA/BEL/NLD/CEE	
1	D010R4001	1	FUSER UNIT B 230T (SP)	MFC-L3770CDW	FOR PHL/ASA/RUS	
2	D007H5001	1	FUSER COVER ASSY			

9. PAPER EJECT



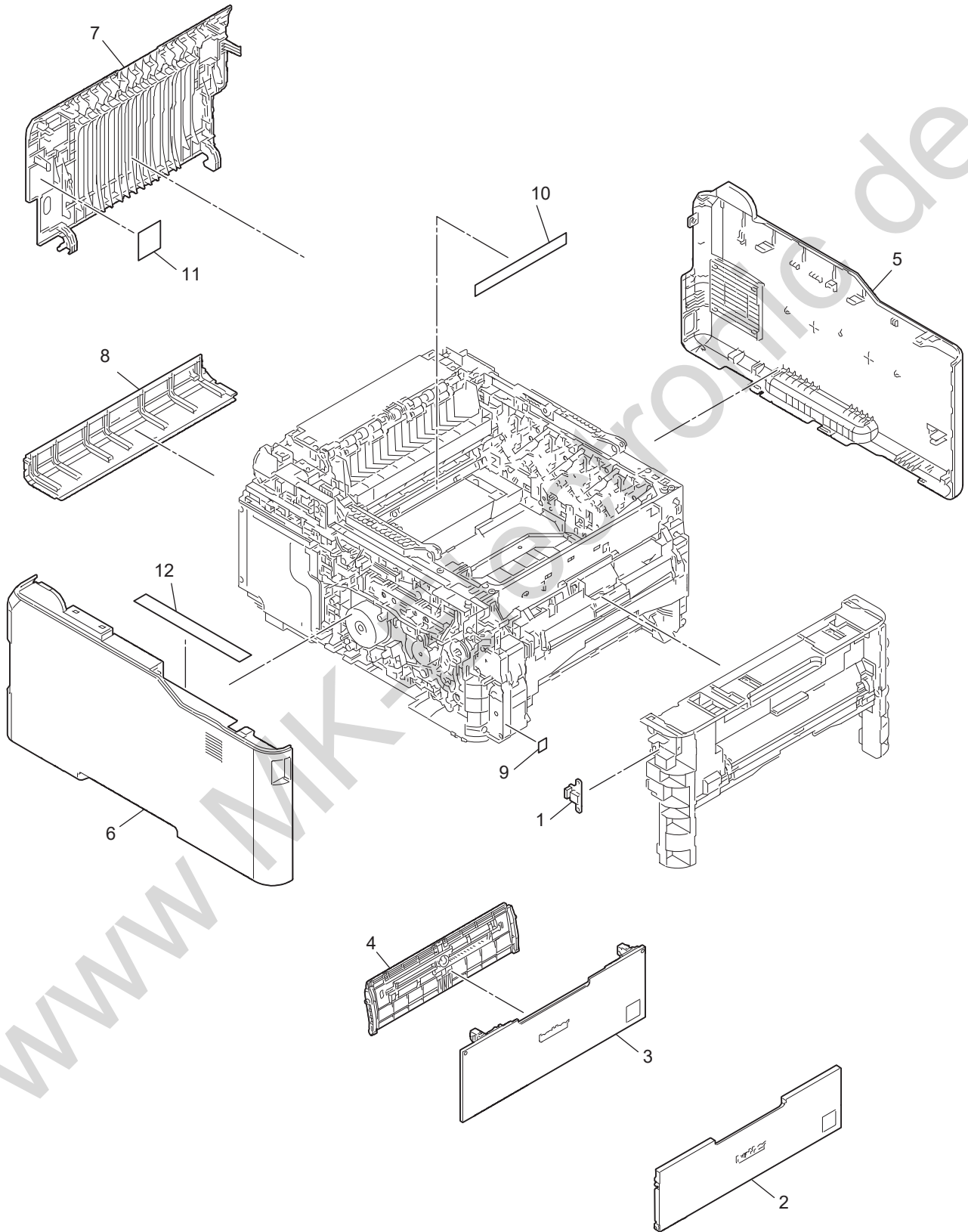
www.MK-Electronic.de

9. PAPER EJECT

REF NO.	CODE	Q' TY	DESCRIPTION	MODEL	SPEC	REMARKS
1	D00KNR002	1	PAPER EJECT ASSY DX FB	DCP-9030CDN		
1	D00KNR002	1	PAPER EJECT ASSY DX FB	DCP-L3510CDW		
1	D00KNR002	1	PAPER EJECT ASSY DX FB	DCP-L3517CDW		
1	D00KNR002	1	PAPER EJECT ASSY DX FB	DCP-L3550CDW		
1	D00KNR002	1	PAPER EJECT ASSY DX FB	DCP-L3551CDW		
1	D00KNR001	1	PAPER EJECT ASSY DX FB	HL-L3290CDW		
1	D00KNR001	1	PAPER EJECT ASSY DX FB	MFC-9150CDN		
1	D00KNR001	1	PAPER EJECT ASSY DX FB	MFC-9350CDW		
1	D00KNV002	1	PAPER EJECT ASSY SX FB	MFC-L3710CW	FOR USA/CAN	
1	D00KNV001	1	PAPER EJECT ASSY SX FB	MFC-L3710CW	FOR GER/UK/NZ/FRA/BEL/NLD/ IBE	
1	D00KNR001	1	PAPER EJECT ASSY DX FB	MFC-L3730CDN		
1	D00KNR001	1	PAPER EJECT ASSY DX FB	MFC-L3735CDN		
1	D00KNR001	1	PAPER EJECT ASSY DX FB	MFC-L3745CDW		
1	D00KNR001	1	PAPER EJECT ASSY DX FB	MFC-L3750CDW		
1	D00KNR001	1	PAPER EJECT ASSY DX FB	MFC-L3770CDW		

www MK-Electronic.de

10. COVERS & LABELS



10. COVERS & LABELS

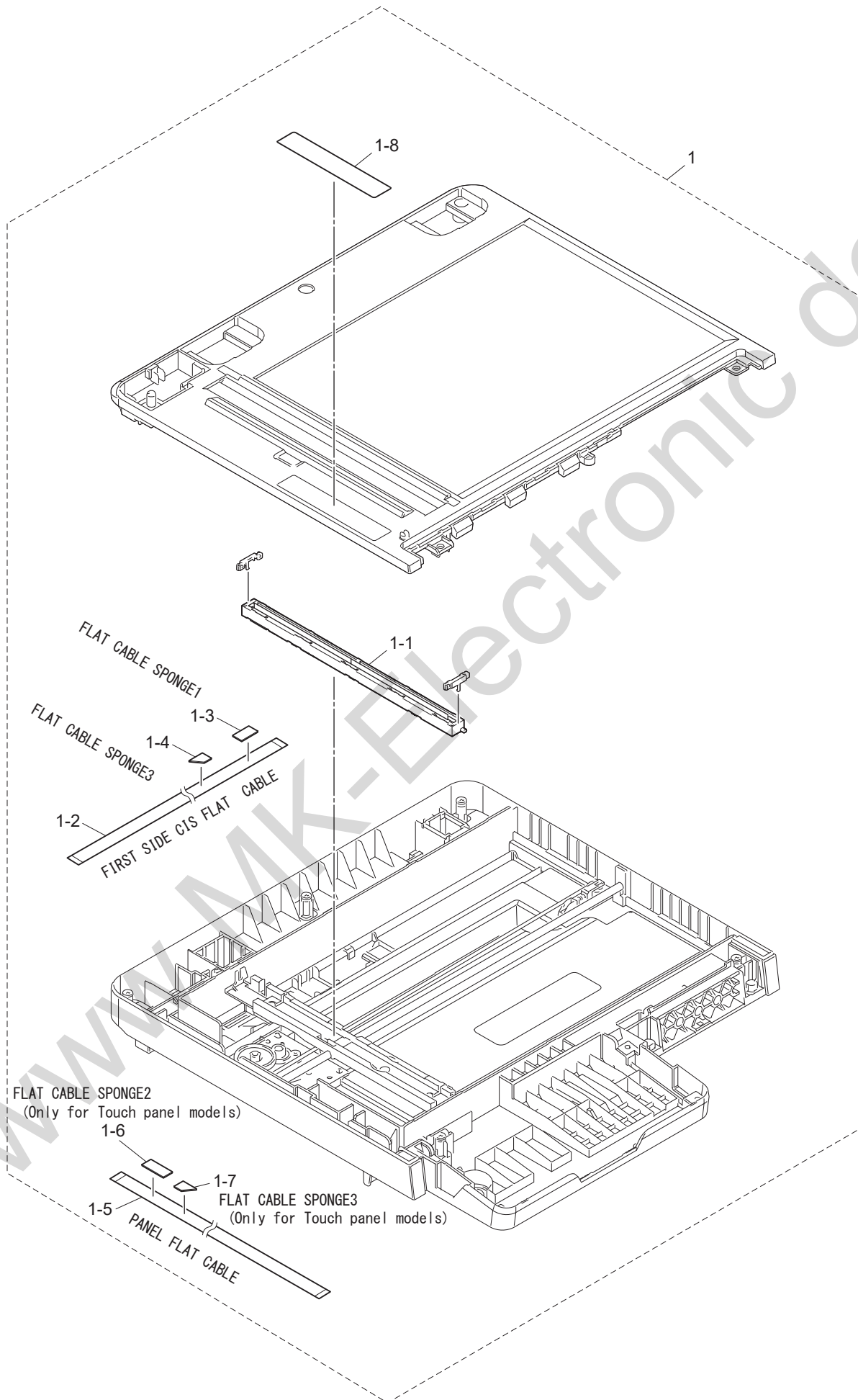
REF No.	CODE	Q'TY	DESCRIPTION	MODEL	SPEC	REMARKS
1	D00NFG001	1	USB HOST PCB	MFC-9350CDW		
1	D00NFG001	1	USB HOST PCB	MFC-L3745CDW		
1	D00NFG001	1	USB HOST PCB	MFC-L3750CDW		
1	D00NFG001	1	USB HOST PCB	MFC-L3770CDW		
2	D00C2K001	1	MANUAL FEED COVER ASSY	DCP-9030CDN		
2	D00C2K001	1	MANUAL FEED COVER ASSY	DCP-L3510CDW		
2	D00C2K001	1	MANUAL FEED COVER ASSY	DCP-L3517CDW		
2	D00C2K001	1	MANUAL FEED COVER ASSY	DCP-L3550CDW		
2	D00C2K001	1	MANUAL FEED COVER ASSY	DCP-L3551CDW		
2	D00C2K001	1	MANUAL FEED COVER ASSY	HL-L3290CDW		
2	D00C2K001	1	MANUAL FEED COVER ASSY	MFC-9150CDN		
2	D00C2K001	1	MANUAL FEED COVER ASSY	MFC-L3710CW		
2	D00C2K001	1	MANUAL FEED COVER ASSY	MFC-L3730CDN		
2	D00C2K001	1	MANUAL FEED COVER ASSY	MFC-L3735CDN		
2	D00C2K001	1	MANUAL FEED COVER ASSY	MFC-L3745CDW		
2	D00C2K001	1	MANUAL FEED COVER ASSY	MFC-L3750CDW		
3	D00C2X001	1	MP COVER ASSY	MFC-9350CDW		
3	D00C2X001	1	MP COVER ASSY	MFC-L3770CDW		
4	D00C38001	1	MP PAPER GUIDE ASSY	MFC-9350CDW		
4	D00C38001	1	MP PAPER GUIDE ASSY	MFC-L3770CDW		
5	D009V7001	1	SIDE COVER R	DCP-9030CDN		
5	D009V7001	1	SIDE COVER R	DCP-L3510CDW		
5	D009V7001	1	SIDE COVER R	DCP-L3517CDW		
5	D009V7001	1	SIDE COVER R	DCP-L3550CDW		
5	D009V7001	1	SIDE COVER R	DCP-L3551CDW		
5	D009V7001	1	SIDE COVER R	HL-L3290CDW		
5	D009V7001	1	SIDE COVER R	MFC-9150CDN		
5	D00C44001	1	SIDE COVER R	MFC-9350CDW		
5	D009V7001	1	SIDE COVER R	MFC-L3710CW		
5	D009V7001	1	SIDE COVER R	MFC-L3730CDN		
5	D009V7001	1	SIDE COVER R	MFC-L3735CDN		
5	D009V7001	1	SIDE COVER R	MFC-L3745CDW		
5	D009V7001	1	SIDE COVER R	MFC-L3750CDW		
5	D00C44001	1	SIDE COVER R	MFC-L3770CDW		
6	D009V8001	1	SIDE COVER L	DCP-9030CDN		
6	D00DT9001	1	SIDE COVER L	DCP-L3510CDW		
6	D00DT9001	1	SIDE COVER L	DCP-L3517CDW		
6	D009V8001	1	SIDE COVER L	DCP-L3550CDW		
6	D009V8001	1	SIDE COVER L	DCP-L3551CDW		
6	D00DT9001	1	SIDE COVER L	HL-L3290CDW		
6	D009V8001	1	SIDE COVER L	MFC-9150CDN		
6	D00C45001	1	SIDE COVER L	MFC-9350CDW		
6	D00DT9001	1	SIDE COVER L	MFC-L3710CW		
6	D009V8001	1	SIDE COVER L	MFC-L3730CDN		
6	D009V8001	1	SIDE COVER L	MFC-L3735CDN		
6	D00DS001	1	SIDE COVER L	MFC-L3745CDW		
6	D00DS001	1	SIDE COVER L	MFC-L3750CDW		
6	D00C45001	1	SIDE COVER L	MFC-L3770CDW		
7	D009S8001	1	BACK COVER DX	DCP-9030CDN		
7	D009S8001	1	BACK COVER DX	DCP-L3510CDW		
7	D009S8001	1	BACK COVER DX	DCP-L3517CDW		
7	D009S8001	1	BACK COVER DX	DCP-L3550CDW		
7	D009S8001	1	BACK COVER DX	DCP-L3551CDW		
7	D009S8001	1	BACK COVER DX	HL-L3290CDW		
7	D009S8001	1	BACK COVER DX	MFC-9150CDN		
7	D009S8001	1	BACK COVER DX	MFC-9350CDW		
7	D009SH001	1	BACK COVER SX	MFC-L3710CW		
7	D009S8001	1	BACK COVER DX	MFC-L3730CDN		
7	D009S8001	1	BACK COVER DX	MFC-L3735CDN		
7	D009S8001	1	BACK COVER DX	MFC-L3745CDW		
7	D009S8001	1	BACK COVER DX	MFC-L3750CDW		
7	D009S8001	1	BACK COVER DX	MFC-L3770CDW		
8	D00DSG001	1	BACK COVER LOWER			
9	D00KXT001	1	LABEL FRONT JAM ECL			
10	D00VU6001	1	LABEL HEAT CAUTION OC2		FOR ARL	
10	D00TVG001	1	LABEL HEAT CAUTION AS		FOR ASA/IND/TWN/KOR/PHL	
10	D00UU8001	1	LABEL HEAT CAUTION BR		FOR CHL/BRA	

10. COVERS & LABELS

REF NO.	CODE	Q'TY	DESCRIPTION	MODEL	SPEC	REMARKS
10	D00TWN001	1	LABEL HEAT CAUTION CN		FOR CHN	
10	D00KXX001	1	LABEL HEAT CAUTION EU1		FOR GER/UK/SWI/FRA/BEL/NLD/ IBE/CEE/PND/ITA	
10	D00VU7001	1	LABEL HEAT CAUTION GU		FOR GULF	
10	D00VU5001	1	LABEL HEAT CAUTION OC1		FOR NZ	
10	D00VU4001	1	LABEL HEAT CAUTION EU2		FOR RUS	
10	D00KXV001	1	LABEL HEAT CAUTION US		FOR USA/CAN	
11	D00TWM001	1	LABEL H/SP CAUTION CN		FOR CHN	
11	D00KXU001	1	LABEL H/SP CAUTION		FOR GER/UK/ARL/SWI/FRA/BEL/ NLD/IBE/CEE/PND/GULF/USA/ CAN/ITA/RUS/NZ/ASA/IND/TWN/ CHL/BRA/KOR/PHL	
12	D00UJZ001	1	LABEL SPRAY CAUTION CN		FOR CHN	
12	D00KY0001	1	LABEL SPRAY CAUTION		FOR GER/UK/ARL/SWI/FRA/BEL/ NLD/IBE/CEE/PND/GULF/USA/ CAN/ITA/RUS/NZ/ASA/IND/TWN/ CHL/BRA/KOR/PHL	

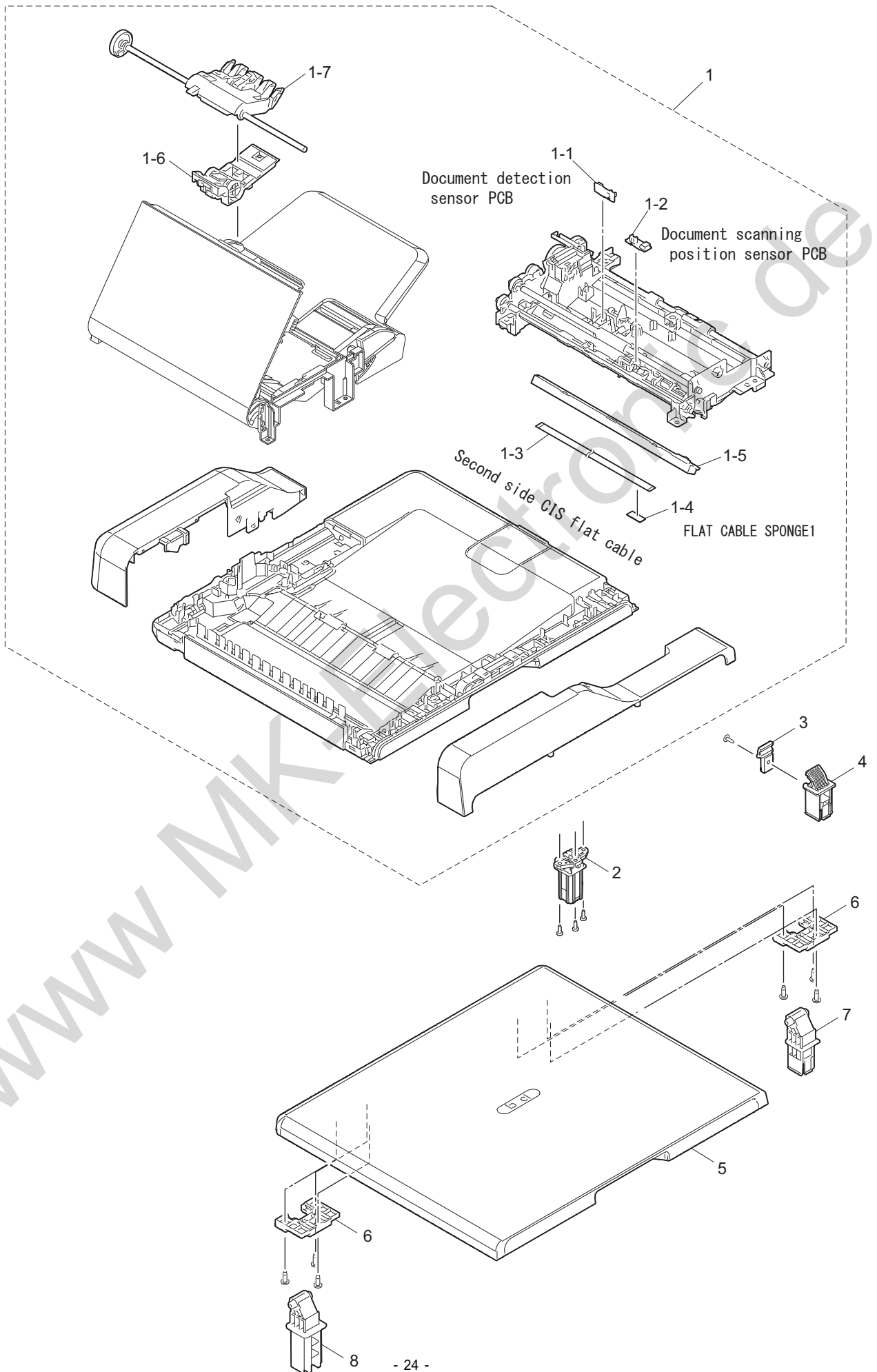
www.MK-Electronic.de





11. DOCUMENT SCANNER

REF NO.	CODE	Q'TY	DESCRIPTION	MODEL	SPEC	REMARKS
1	D0115G001	1	DOCUMENT SCANNER SX B002 SP	DCP-9030CDN		
1	D0115C001	1	DOCUMENT SCANNER DCP A002 SP	DCP-L3510CDW		
1	D0115C001	1	DOCUMENT SCANNER DCP A002 SP	DCP-L3517CDW		
1	D0115G001	1	DOCUMENT SCANNER SX B002 SP	DCP-L3550CDW		
1	D0115D001	1	DOCUMENT SCANNER SX A002 SP	DCP-L3551CDW		
1	D0115F001	1	DOCUMENT SCANNER DCP A001 SP	HL-L3290CDW		
1	D0115J001	1	DOCUMENT SCANNER SX B001 SP	MFC-9150CDN		
1	D0115K001	1	DOCUMENT SCANNER DX B001 SP	MFC-9350CDW		
1	D0115J001	1	DOCUMENT SCANNER SX B001 SP	MFC-L3710CW		
1	D0115J001	1	DOCUMENT SCANNER SX B001 SP	MFC-L3730CDN		
1	D0115J001	1	DOCUMENT SCANNER SX B001 SP	MFC-L3735CDN		
1	D0115J001	1	DOCUMENT SCANNER SX B001 SP	MFC-L3745CDW		
1	D0115J001	1	DOCUMENT SCANNER SX B001 SP	MFC-L3750CDW		
1	D0115K001	1	DOCUMENT SCANNER DX B001 SP	MFC-L3770CDW		
1-1	D009ZH001	1	FIRST SIDE CIS UNIT			
1-2	D00939001	1	FIRST SIDE CIS FLAT CABLE			
1-3	D00HTZ001	1	FLAT CABLE SPONGE1			
1-4	D00KJH001	1	FLAT CABLE SPONGE3			
1-5	D0090Z001	1	PANEL FLAT CABLE TP	DCP-9030CDN		
1-5	D0090Z001	1	PANEL FLAT CABLE TP	DCP-L3550CDW		
1-5	D00FYF001	1	PANEL FLAT CABLE LCD	DCP-L3510CDW		
1-5	D00FYF001	1	PANEL FLAT CABLE LCD	DCP-L3517CDW		
1-5	D00FYF001	1	PANEL FLAT CABLE LCD	DCP-L3551CDW		
1-5	D00FYF001	1	PANEL FLAT CABLE LCD	HL-L3290CDW		
1-5	D0090Z001	1	PANEL FLAT CABLE TP	MFC-9150CDN		
1-5	D0090Z001	1	PANEL FLAT CABLE TP	MFC-9350CDW		
1-5	D0090Z001	1	PANEL FLAT CABLE TP	MFC-L3710CW		
1-5	D0090Z001	1	PANEL FLAT CABLE TP	MFC-L3730CDN		
1-5	D0090Z001	1	PANEL FLAT CABLE TP	MFC-L3735CDN		
1-5	D0090Z001	1	PANEL FLAT CABLE TP	MFC-L3745CDW		
1-5	D0090Z001	1	PANEL FLAT CABLE TP	MFC-L3750CDW		
1-5	D0090Z001	1	PANEL FLAT CABLE TP	MFC-L3770CDW		
1-6	D00HTY001	1	FLAT CABLE SPONGE2	DCP-L3510CDW		
1-6	D00HTY001	1	FLAT CABLE SPONGE2	DCP-L3517CDW		
1-6	D00HTY001	1	FLAT CABLE SPONGE2	DCP-L3551CDW		
1-6	D00HTY001	1	FLAT CABLE SPONGE2	HL-L3290CDW		
1-7	D00KJH001	1	FLAT CABLE SPONGE3	DCP-9030CDN		
1-7	D00KJH001	1	FLAT CABLE SPONGE3	DCP-L3550CDW		
1-7	D00KJH001	1	FLAT CABLE SPONGE3	MFC-9150CDN		
1-7	D00KJH001	1	FLAT CABLE SPONGE3	MFC-9350CDW		
1-7	D00KJH001	1	FLAT CABLE SPONGE3	MFC-L3710CW		
1-7	D00KJH001	1	FLAT CABLE SPONGE3	MFC-L3730CDN		
1-7	D00KJH001	1	FLAT CABLE SPONGE3	MFC-L3735CDN		
1-7	D00KJH001	1	FLAT CABLE SPONGE3	MFC-L3745CDW		
1-7	D00KJH001	1	FLAT CABLE SPONGE3	MFC-L3750CDW		
1-7	D00KJH001	1	FLAT CABLE SPONGE3	MFC-L3770CDW		
1-8	D00KYA001	1	ADF CLEAN UP LABEL SX	DCP-9030CDN		
1-8	D00KYA001	1	ADF CLEAN UP LABEL SX	DCP-L3550CDW		
1-8	D00KYA001	1	ADF CLEAN UP LABEL SX	DCP-L3551CDW		
1-8	D00KYA001	1	ADF CLEAN UP LABEL SX	MFC-9150CDN		
1-8	D00KY2001	1	ADF CLEAN UP LABEL DX2	MFC-9350CDW		
1-8	D00KYA001	1	ADF CLEAN UP LABEL SX	MFC-L3710CW		
1-8	D00KYA001	1	ADF CLEAN UP LABEL SX	MFC-L3730CDN		
1-8	D00KYA001	1	ADF CLEAN UP LABEL SX	MFC-L3735CDN		
1-8	D00KYA001	1	ADF CLEAN UP LABEL SX	MFC-L3745CDW		
1-8	D00KYA001	1	ADF CLEAN UP LABEL SX	MFC-L3750CDW		
1-8	D00KY2001	1	ADF CLEAN UP LABEL DX2	MFC-L3770CDW		



12. ADF

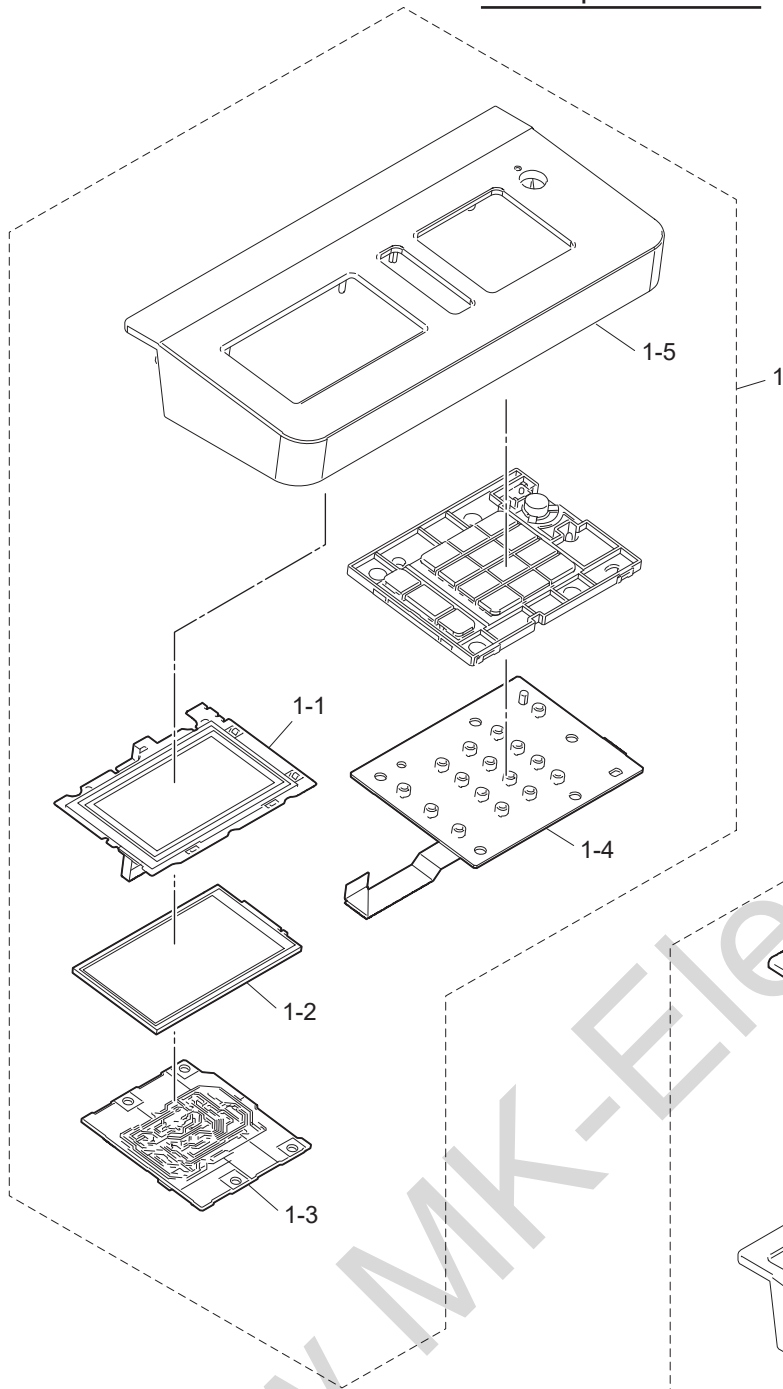
REF NO.	CODE	Q'TY	DESCRIPTION	MODEL	SPEC	REMARKS
1	D01157001	1	ADF UNIT ECL SX 002 SP	DCP-9030CDN		
1	D01157001	1	ADF UNIT ECL SX 002 SP	DCP-L3550CDW		
1	D01157001	1	ADF UNIT ECL SX 002 SP	DCP-L3551CDW		
1	D01159001	1	ADF UNIT ECL SX 001 SP	MFC-9150CDN		
1	D0115A001	1	ADF UNIT ECL DX 001 SP	MFC-9350CDW		
1	D01157001	1	ADF UNIT ECL SX 002 SP	MFC-L3710CW	FOR USA/CAN	
1	D01159001	1	ADF UNIT ECL SX 001 SP	MFC-L3710CW	FOR GER/UK/NZ/FRA/BEL/NLD/ IBE	
1	D01159001	1	ADF UNIT ECL SX 001 SP	MFC-L3730CDN		
1	D01159001	1	ADF UNIT ECL SX 001 SP	MFC-L3735CDN		
1	D01159001	1	ADF UNIT ECL SX 001 SP	MFC-L3745CDW		
1	D01159001	1	ADF UNIT ECL SX 001 SP	MFC-L3750CDW		
1	D0115A001	1	ADF UNIT ECL DX 001 SP	MFC-L3770CDW		
1-1	LG6753001	1	DOCUMENT DETECTION SENSOR PCB	DCP-9030CDN		
1-1	LG6753001	1	DOCUMENT DETECTION SENSOR PCB	DCP-L3550CDW		
1-1	LG6753001	1	DOCUMENT DETECTION SENSOR PCB	DCP-L3551CDW		
1-1	LG6753001	1	DOCUMENT DETECTION SENSOR PCB	MFC-9150CDN		
1-1	LG6753001	1	DOCUMENT DETECTION SENSOR PCB	MFC-9350CDW		
1-1	LG6753001	1	DOCUMENT DETECTION SENSOR PCB	MFC-L3710CW		
1-1	LG6753001	1	DOCUMENT DETECTION SENSOR PCB	MFC-L3730CDN		
1-1	LG6753001	1	DOCUMENT DETECTION SENSOR PCB	MFC-L3735CDN		
1-1	LG6753001	1	DOCUMENT DETECTION SENSOR PCB	MFC-L3745CDW		
1-1	LG6753001	1	DOCUMENT DETECTION SENSOR PCB	MFC-L3750CDW		
1-1	LG6753001	1	DOCUMENT DETECTION SENSOR PCB	MFC-L3770CDW		
1-2	LG6753001	1	DOCUMENT SCANNING POSITION SENSOR PCB	DCP-9030CDN		
1-2	LG6753001	1	DOCUMENT SCANNING POSITION SENSOR PCB	DCP-L3550CDW		
1-2	LG6753001	1	DOCUMENT SCANNING POSITION SENSOR PCB	DCP-L3551CDW		
1-2	LG6753001	1	DOCUMENT SCANNING POSITION SENSOR PCB	MFC-9150CDN		
1-2	LG6753001	1	DOCUMENT SCANNING POSITION SENSOR PCB	MFC-9350CDW		
1-2	LG6753001	1	DOCUMENT SCANNING POSITION SENSOR PCB	MFC-L3710CW		
1-2	LG6753001	1	DOCUMENT SCANNING POSITION SENSOR PCB	MFC-L3730CDN		
1-2	LG6753001	1	DOCUMENT SCANNING POSITION SENSOR PCB	MFC-L3735CDN		
1-2	LG6753001	1	DOCUMENT SCANNING POSITION SENSOR PCB	MFC-L3745CDW		
1-2	LG6753001	1	DOCUMENT SCANNING POSITION SENSOR PCB	MFC-L3750CDW		
1-2	LG6753001	1	DOCUMENT SCANNING POSITION SENSOR PCB	MFC-L3770CDW		
1-3	D0095W001	1	SECOND SIDE CIS FLAT CABLE	MFC-9350CDW		
1-3	D0095W001	1	SECOND SIDE CIS FLAT CABLE	MFC-L3770CDW		
1-4	D00HTZ001	1	FLAT CABLE SPONGE1	MFC-9350CDW		
1-4	D00HTZ001	1	FLAT CABLE SPONGE1	MFC-L3770CDW		
1-5	D009ZH001	1	SECOND SIDE CIS UNIT	MFC-9350CDW		
1-5	D009ZH001	1	SECOND SIDE CIS UNIT	MFC-L3770CDW		
1-6	D008V0001	1	ADF SEPARATION HOLDER ASSY	DCP-9030CDN		
1-6	D008V0001	1	ADF SEPARATION HOLDER ASSY	DCP-L3550CDW		
1-6	D008V0001	1	ADF SEPARATION HOLDER ASSY	DCP-L3551CDW		
1-6	D008V0001	1	ADF SEPARATION HOLDER ASSY	MFC-9150CDN		
1-6	D008V0001	1	ADF SEPARATION HOLDER ASSY	MFC-9350CDW		
1-6	D008V0001	1	ADF SEPARATION HOLDER ASSY	MFC-L3710CW		
1-6	D008V0001	1	ADF SEPARATION HOLDER ASSY	MFC-L3730CDN		
1-6	D008V0001	1	ADF SEPARATION HOLDER ASSY	MFC-L3735CDN		
1-6	D008V0001	1	ADF SEPARATION HOLDER ASSY	MFC-L3745CDW		
1-6	D008V0001	1	ADF SEPARATION HOLDER ASSY	MFC-L3750CDW		
1-6	D008V0001	1	ADF SEPARATION HOLDER ASSY	MFC-L3770CDW		
1-7	D008UZ001	1	DOCUMENT SEPARATION ROLLER	DCP-9030CDN		
1-7	D008UZ001	1	DOCUMENT SEPARATION ROLLER	DCP-L3550CDW		
1-7	D008UZ001	1	DOCUMENT SEPARATION ROLLER	DCP-L3551CDW		
1-7	D008UZ001	1	DOCUMENT SEPARATION ROLLER	MFC-9150CDN		

12. ADF

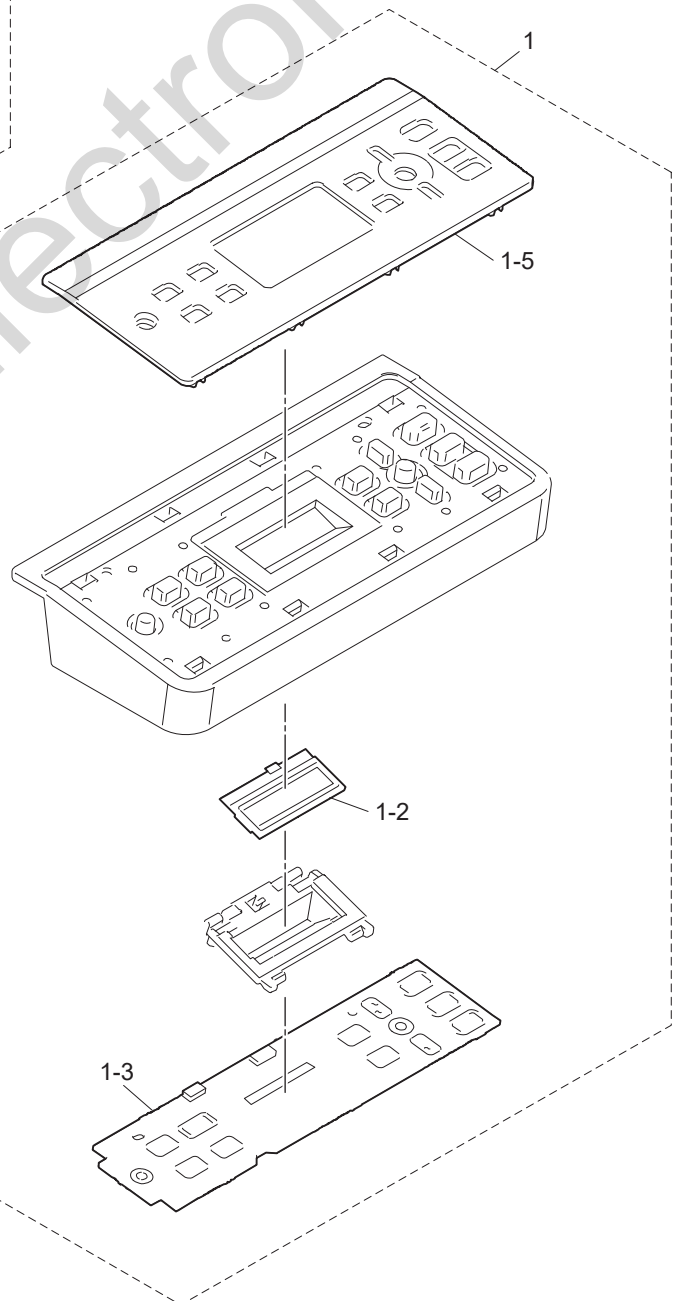
REF NO.	CODE	Q'TY	DESCRIPTION	MODEL	SPEC	REMARKS
1-7	D008UZ001	1	DOCUMENT SEPARATION ROLLER	MFC-9350CDW		
1-7	D008UZ001	1	DOCUMENT SEPARATION ROLLER	MFC-L3710CW		
1-7	D008UZ001	1	DOCUMENT SEPARATION ROLLER	MFC-L3730CDN		
1-7	D008UZ001	1	DOCUMENT SEPARATION ROLLER	MFC-L3735CDN		
1-7	D008UZ001	1	DOCUMENT SEPARATION ROLLER	MFC-L3745CDW		
1-7	D008UZ001	1	DOCUMENT SEPARATION ROLLER	MFC-L3750CDW		
1-7	D008UZ001	1	DOCUMENT SEPARATION ROLLER	MFC-L3770CDW		
2	D00RCM006	1	HINGE ASSY L	DCP-9030CDN		
2	D00RCM006	1	HINGE ASSY L	DCP-L3550CDW		
2	D00RCM006	1	HINGE ASSY L	DCP-L3551CDW		
2	D00RCM006	1	HINGE ASSY L	MFC-9150CDN		
2	D00RCM006	1	HINGE ASSY L	MFC-L3710CW		
2	D00RCM006	1	HINGE ASSY L	MFC-L3730CDN		
2	D00RCM006	1	HINGE ASSY L	MFC-L3735CDN		
2	D00RCM006	1	HINGE ASSY L	MFC-L3745CDW		
2	D00RCM006	1	HINGE ASSY L	MFC-L3750CDW		
2	D00M4H003	1	HINGE ASSY L FS	MFC-9350CDW		
2	D00M4H003	1	HINGE ASSY L FS	MFC-L3770CDW		
3	LS8155001	1	HINGE R SUPPORT	DCP-9030CDN		
3	LS8155001	1	HINGE R SUPPORT	DCP-L3550CDW		
3	LS8155001	1	HINGE R SUPPORT	DCP-L3551CDW		
3	LS8155001	1	HINGE R SUPPORT	MFC-9150CDN		
3	LS8155001	1	HINGE R SUPPORT	MFC-9350CDW		
3	LS8155001	1	HINGE R SUPPORT	MFC-L3710CW		
3	LS8155001	1	HINGE R SUPPORT	MFC-L3730CDN		
3	LS8155001	1	HINGE R SUPPORT	MFC-L3735CDN		
3	LS8155001	1	HINGE R SUPPORT	MFC-L3745CDW		
3	LS8155001	1	HINGE R SUPPORT	MFC-L3750CDW		
3	LS8155001	1	HINGE R SUPPORT	MFC-L3770CDW		
4	LX5180010	1	HINGE R	DCP-9030CDN		
4	LX5180010	1	HINGE R	DCP-L3550CDW		
4	LX5180010	1	HINGE R	DCP-L3551CDW		
4	LX5180010	1	HINGE R	MFC-9150CDN		
4	LX5180010	1	HINGE R	MFC-9350CDW		
4	LX5180010	1	HINGE R	MFC-L3710CW		
4	LX5180010	1	HINGE R	MFC-L3730CDN		
4	LX5180010	1	HINGE R	MFC-L3735CDN		
4	LX5180010	1	HINGE R	MFC-L3745CDW		
4	LX5180010	1	HINGE R	MFC-L3750CDW		
4	LX5180010	1	HINGE R	MFC-L3770CDW		
5	D011XX002	1	DOCUMENT COVER 002 SP	DCP-L3510CDW		
5	D011XX002	1	DOCUMENT COVER 002 SP	DCP-L3517CDW		
5	D011XW001	1	DOCUMENT COVER 001 SP	HL-L3290CDW		
6	D00G17011	2	HINGE ARM DCP	DCP-L3510CDW		
6	D00G17011	2	HINGE ARM DCP	DCP-L3517CDW		
6	D00G17011	2	HINGE ARM DCP	HL-L3290CDW		
7	D00G18011	1	HINGE R DCP	DCP-L3510CDW		
7	D00G18011	1	HINGE R DCP	DCP-L3517CDW		
7	D00G18011	1	HINGE R DCP	HL-L3290CDW		
8	D00G19011	1	HINGE L DCP	DCP-L3510CDW		
8	D00G19011	1	HINGE L DCP	DCP-L3517CDW		
8	D00G19011	1	HINGE L DCP	HL-L3290CDW		

13. PANEL

Touch panel model



Non-touch panel model



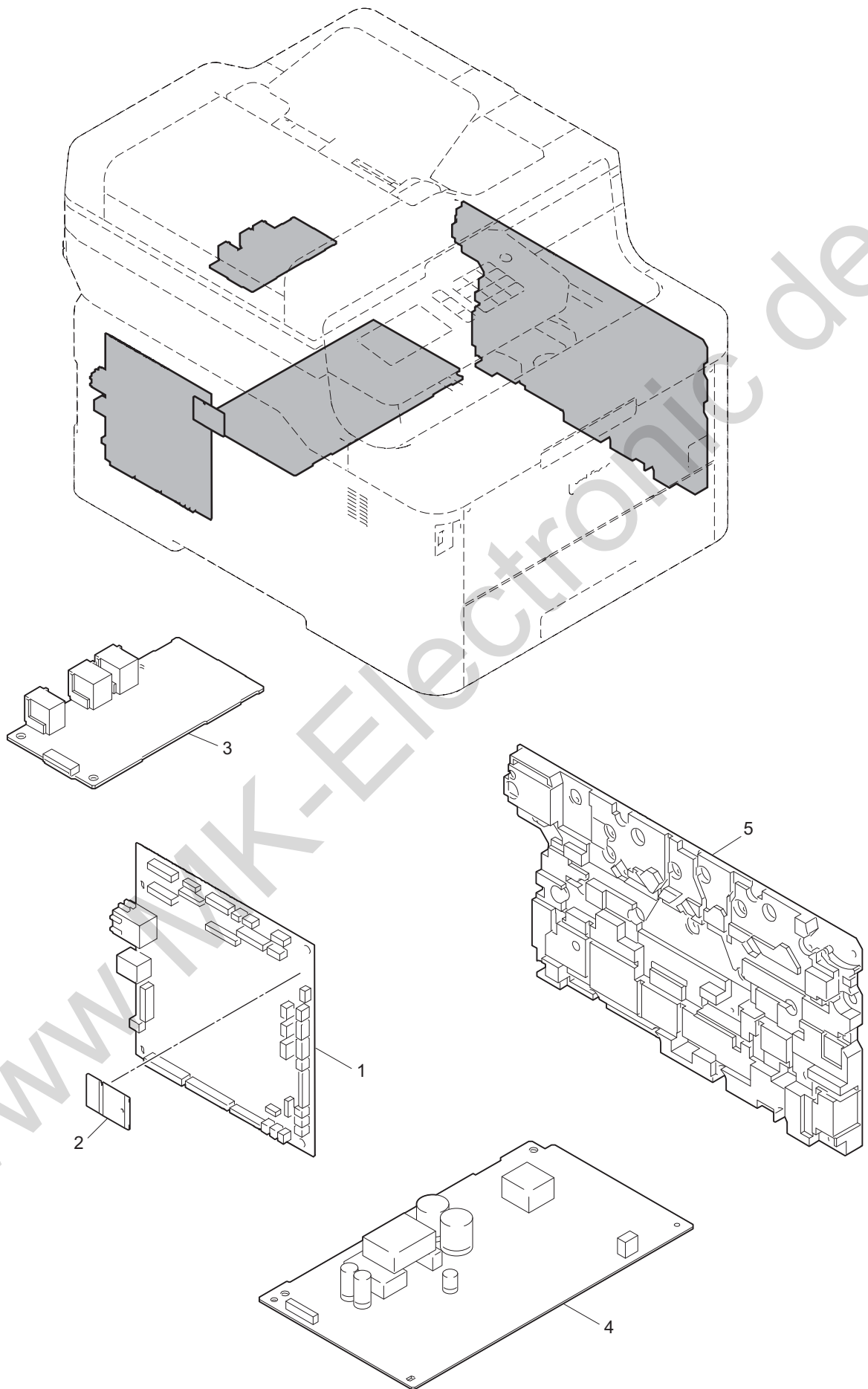
13. PANEL

REF NO.	CODE	Q'TY	DESCRIPTION	MODEL	SPEC	REMARKS
1	D00UK0001	1	PANEL UNIT 9030CDN	DCP-9030CDN		
1	D00XKJ001	1	PANEL UNIT 3510CDW GER	DCP-L3510CDW	FOR GER	
1	D00NC0001	1	PANEL UNIT 3510CDW	DCP-L3510CDW	FOR UK/ARL/GULF	
1	D00XK5001	1	PANEL UNIT 3510CDW NON-PRINT	DCP-L3510CDW	FOR SWI/FRA/BEL/NLD/CEE	
1	D00XKU001	1	PANEL UNIT 3510CDW IBE	DCP-L3510CDW	FOR IBE	
1	D00XKZ001	1	PANEL UNIT 3517CDW PAN-ENG	DCP-L3517CDW		
1	D00ULR001	1	PANEL UNIT 3550CDW	DCP-L3550CDW		
1	D010CT001	1	PANEL UNIT 3551CDW BRZ	DCP-L3551CDW	FOR BRA	
1	D00UN4001	1	PANEL UNIT 3551CDW	DCP-L3551CDW	FOR NZ/ASA/GULF/IND	
1	D010G3001	1	PANEL UNIT 3551CDW CHL	DCP-L3551CDW	FOR CHL	
1	D00UJT001	1	PANEL UNIT 3290CDW	HL-L3290CDW		
1	D00UR8001	1	PANEL UNIT 9150CDN	MFC-9150CDN		
1	D00UY3001	1	PANEL UNIT 9350CDW	MFC-9350CDW		
1	D0080A002	1	PANEL UNIT 3710CW	MFC-L3710CW	FOR USA/CAN	
1	D0080A001	1	PANEL UNIT 3710CW	MFC-L3710CW	FOR GER/UK/NZ/FRA/BEL/NLD/IBE	
1	D00UP4001	1	PANEL UNIT 3730CDN	MFC-L3730CDN		
1	D00USD001	1	PANEL UNIT 3735CDN	MFC-L3735CDN		
1	D00XU7001	1	PANEL UNIT 3745CDW	MFC-L3745CDW		
1	D00L6Y001	1	PANEL UNIT 3750CDW	MFC-L3750CDW		
1	D00809001	1	PANEL UNIT 3770CDW	MFC-L3770CDW		
1-1	D00PK7001	1	TOUCH PANEL ASSY	DCP-9030CDN		
1-1	D00PK7001	1	TOUCH PANEL ASSY	DCP-L3550CDW		
1-1	D00PK7001	1	TOUCH PANEL ASSY	MFC-9150CDN		
1-1	D00PK7001	1	TOUCH PANEL ASSY	MFC-9350CDW		
1-1	D00PK7001	1	TOUCH PANEL ASSY	MFC-L3710CW		
1-1	D00PK7001	1	TOUCH PANEL ASSY	MFC-L3730CDN		
1-1	D00PK7001	1	TOUCH PANEL ASSY	MFC-L3735CDN		
1-1	D00PK7001	1	TOUCH PANEL ASSY	MFC-L3745CDW		
1-1	D00PK7001	1	TOUCH PANEL ASSY	MFC-L3750CDW		
1-1	D00PK7001	1	TOUCH PANEL ASSY	MFC-L3770CDW		
1-2	A62009001	1	LCD	DCP-L3510CDW		
1-2	A62009001	1	LCD	DCP-L3517CDW		
1-2	A62009001	1	LCD	DCP-L3551CDW		
1-2	A62009001	1	LCD	HL-L3290CDW		
1-2	D00N32001	1	LCD	DCP-9030CDN		
1-2	D00N32001	1	LCD	DCP-L3550CDW		
1-2	D00N32001	1	LCD	MFC-9150CDN		
1-2	D00N32001	1	LCD	MFC-9350CDW		
1-2	D00N32001	1	LCD	MFC-L3710CW		
1-2	D00N32001	1	LCD	MFC-L3730CDN		
1-2	D00N32001	1	LCD	MFC-L3735CDN		
1-2	D00N32001	1	LCD	MFC-L3745CDW		
1-2	D00N32001	1	LCD	MFC-L3750CDW		
1-2	D00N32001	1	LCD	MFC-L3770CDW		
1-3	D00EBN001	1	PANEL PCB LCD	DCP-L3510CDW		
1-3	D00EBN001	1	PANEL PCB LCD	DCP-L3517CDW		
1-3	D00EBN001	1	PANEL PCB LCD	DCP-L3551CDW		
1-3	D00EBN001	1	PANEL PCB LCD	HL-L3290CDW		
1-3	D00PUT001	1	PANEL PCB TP	DCP-9030CDN		
1-3	D00PUT001	1	PANEL PCB TP	DCP-L3550CDW		
1-3	D00PUT001	1	PANEL PCB TP	MFC-9150CDN		
1-3	D00PUT001	1	PANEL PCB TP	MFC-9350CDW		
1-3	D00PUT001	1	PANEL PCB TP	MFC-L3710CW		
1-3	D00PUT001	1	PANEL PCB TP	MFC-L3730CDN		
1-3	D00PUT001	1	PANEL PCB TP	MFC-L3735CDN		
1-3	D00PUT001	1	PANEL PCB TP	MFC-L3745CDW		
1-3	D00PUT001	1	PANEL PCB TP	MFC-L3750CDW		
1-3	D00PUT001	1	PANEL PCB TP	MFC-L3770CDW		
1-4	D00P5W001	1	KEY PCB	DCP-9030CDN		
1-4	D00P5W001	1	KEY PCB	DCP-L3550CDW		
1-4	D00P5W001	1	KEY PCB	MFC-9150CDN		
1-4	D00P5W001	1	KEY PCB	MFC-9350CDW		
1-4	D00P5W001	1	KEY PCB	MFC-L3710CW		
1-4	D00P5W001	1	KEY PCB	MFC-L3730CDN		
1-4	D00P5W001	1	KEY PCB	MFC-L3735CDN		
1-4	D00P5W001	1	KEY PCB	MFC-L3745CDW		

13. PANEL

REF NO.	CODE	Q'TY	DESCRIPTION	MODEL	SPEC	REMARKS
1-4	D00P5W001	1	KEY PCB	MFC-L3750CDW		
1-4	D00P5W001	1	KEY PCB	MFC-L3770CDW		
1-5	D00U0J001	1	PRINTED PANEL COVER 9030CDN	DCP-9030CDN		
1-5	D00XKL001	1	PRINTED PANEL COVER DCP GER	DCP-L3510CDW	FOR GER/SWI	
1-5	D00DU8002	1	PRINTED PANEL COVER DCP	DCP-L3510CDW	FOR UK/ARL/FRA/BEL/NLD/CEE/ GULF	
1-5	D00XKY001	1	PRINTED PANEL COVER DCP FRA	DCP-L3510CDW	FOR SWI/FRA/BEL/NLD	
1-5	D00XKX001	1	PRINTED PANEL COVER DCP DUT	DCP-L3510CDW	FOR FRA/BEL/NLD	
1-5	D00XKV001	1	PRINTED PANEL COVER DCP IBE	DCP-L3510CDW	FOR IBE	
1-5	D00Z94001	1	PRINTED PANEL COVER DCP POL	DCP-L3510CDW	FOR CEE	
1-5	D00DU8002	1	PRINTED PANEL COVER DCP	DCP-L3517CDW		
1-5	D00U0K001	1	PRINTED PANEL COVER 3550CDW	DCP-L3550CDW		
1-5	D010DA001	1	PRINTED PANEL COVER L3551 BRZ	DCP-L3551CDW	FOR BRA	
1-5	D00U0L001	1	PRINTED PANEL COVER 3551CDW	DCP-L3551CDW	FOR NZ/ASA/GULF/IND	
1-5	D010G4001	1	PRINTED PANEL COVER L3551 CHL	DCP-L3551CDW	FOR CHL	
1-5	D00U0G001	1	PRINTED PANEL COVER DCP US	HL-L3290CDW		
1-5	D00U0N001	1	PRINTED PANEL COVER 9150CDN	MFC-9150CDN		
1-5	D00U0R001	1	PRINTED PANEL COVER 9350CDW	MFC-9350CDW		
1-5	D0090X002	1	PRINTED PANEL COVER 3710CW	MFC-L3710CW	FOR USA/CAN	
1-5	D0090X001	1	PRINTED PANEL COVER 3710CW	MFC-L3710CW	FOR GER/UK/NZ/FRA/BEL/NLD/ IBE	
1-5	D00U0M001	1	PRINTED PANEL COVER 3730CDN	MFC-L3730CDN		
1-5	D00U0P001	1	PRINTED PANEL COVER 3735CDN	MFC-L3735CDN		
1-5	D00XPU001	1	PRINTED PANEL COVER 3745CDW	MFC-L3745CDW		
1-5	D00L6Z001	1	PRINTED PANEL COVER 3750CDW	MFC-L3750CDW		
1-5	D0090J001	1	PRINTED PANEL COVER 3770CDW	MFC-L3770CDW		





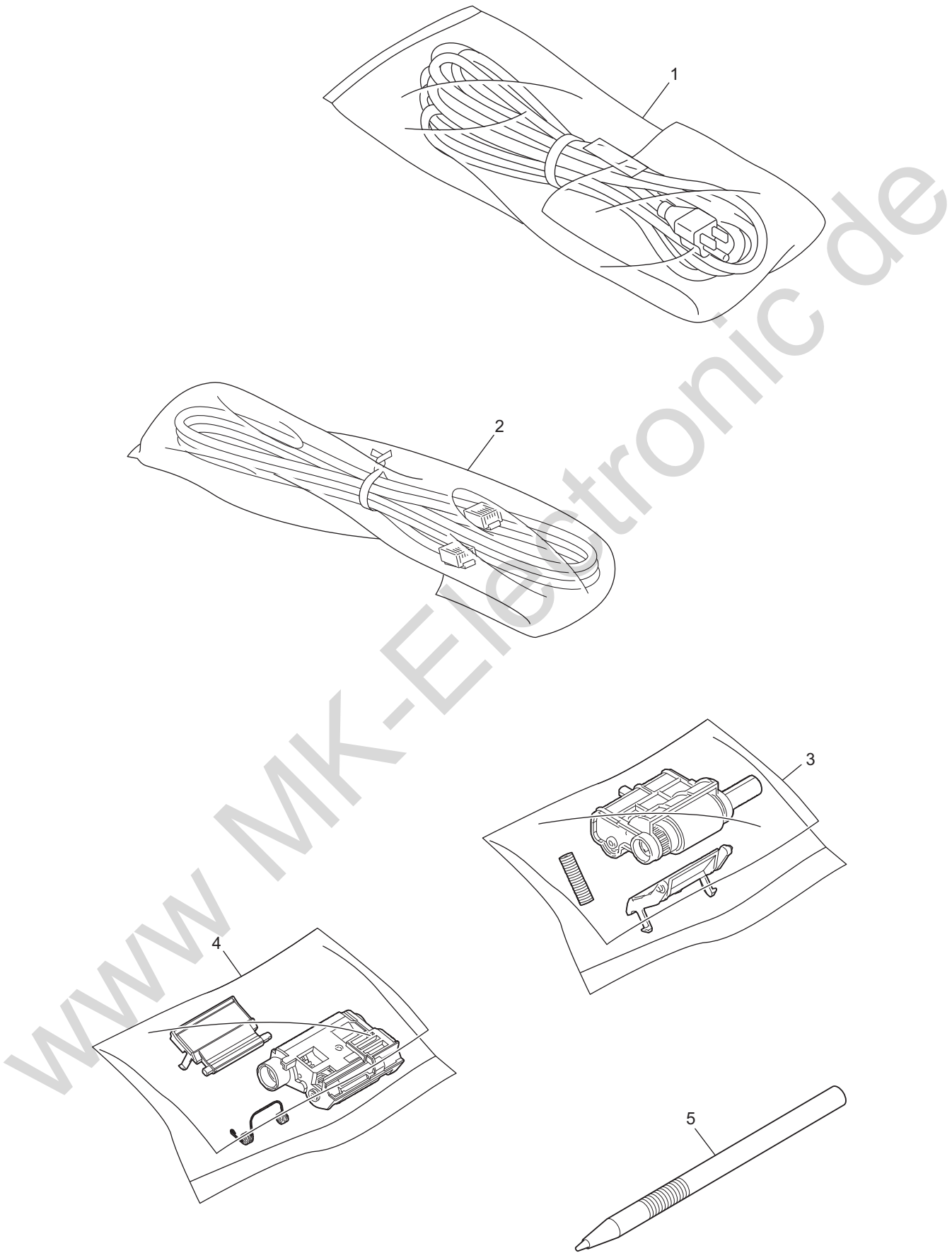
14. PCB

REF NO.	CODE	Q'TY	DESCRIPTION	MODEL	SPEC	REMARKS
1	D00KKB009	1	MAIN PCB ASSY	DCP-9030CDN		
1	D00KL000C	1	MAIN PCB ASSY	DCP-L3510CDW	FOR GER	
1	D00KL0003	1	MAIN PCB ASSY	DCP-L3510CDW	FOR UK/SWI/FRA/BEL/NLD/ IBE/CEE	
1	D00KL0004	1	MAIN PCB ASSY	DCP-L3510CDW	FOR ARL	
1	D00782005	1	MAIN PCB ASSY	DCP-L3510CDW	FOR GULF	
1	D00KL000C	1	MAIN PCB ASSY	DCP-L3517CDW		
1	D00KL100C	1	MAIN PCB ASSY	DCP-L3550CDW	FOR GER/PND	
1	D00KL1003	1	MAIN PCB ASSY	DCP-L3550CDW	FOR UK/SWI/ITA/IBE/ FRA/BEL/NLD/CEE	
1	D00KKB006	1	MAIN PCB ASSY	DCP-L3550CDW	FOR RUS	
1	D00KKB005	1	MAIN PCB ASSY	DCP-L3551CDW	FOR CHL/ASA/GULF/BRA/IND	
1	D00KL1008	1	MAIN PCB ASSY	DCP-L3551CDW	FOR NZ	
1	D00KL0001	1	MAIN PCB ASSY	HL-L3290CDW		
1	D00KKC009	1	MAIN PCB ASSY	MFC-9150CDN		
1	D00783009	1	MAIN PCB ASSY	MFC-9350CDW		
1	D00KL2001	1	MAIN PCB ASSY	MFC-L3710CW	FOR USA/CAN	
1	D00KL200C	1	MAIN PCB ASSY	MFC-L3710CW	FOR GER	
1	D00KL2003	1	MAIN PCB ASSY	MFC-L3710CW	FOR UK/NZ/FRA/BEL/NLD/ IBE	
1	D00KL300C	1	MAIN PCB ASSY	MFC-L3730CDN	FOR GER/PND	
1	D00KL3003	1	MAIN PCB ASSY	MFC-L3730CDN	FOR UK/SWI/ITA/FRA/BEL/NLD/ CEE	
1	D00KKC005	1	MAIN PCB ASSY	MFC-L3735CDN		
1	D00KL4002	1	MAIN PCB ASSY	MFC-L3745CDW		
1	D00KL4001	1	MAIN PCB ASSY	MFC-L3750CDW	FOR USA/CAN	
1	D00KL4003	1	MAIN PCB ASSY	MFC-L3750CDW	FOR GER/UK/SWI/ITA/IBE/ FRA/BEL/NLD/PND	
1	D00KL4004	1	MAIN PCB ASSY	MFC-L3750CDW	FOR ARL	
1	D00KKD005	1	MAIN PCB ASSY	MFC-L3750CDW	FOR TWN/CHL/ASA/GULF/BRA/KOR	
1	D00KL5001	1	MAIN PCB ASSY	MFC-L3770CDW	FOR USA/CAN	
1	D00KL5003	1	MAIN PCB ASSY	MFC-L3770CDW	FOR GER/UK/SWI/ITA/IBE/ NZ/FRA/BEL/NLD/CEE	
1	D00KL5004	1	MAIN PCB ASSY	MFC-L3770CDW	FOR ARL	
1	D00783005	1	MAIN PCB ASSY	MFC-L3770CDW	FOR PHL/ASA/RUS	
2	LD1969001	1	WIRELESS LAN PCB	DCP-L3510CDW		
2	LD1969001	1	WIRELESS LAN PCB	DCP-L3517CDW		
2	LD1969001	1	WIRELESS LAN PCB	DCP-L3550CDW		
2	LD1969001	1	WIRELESS LAN PCB	DCP-L3551CDW		
2	LD1969001	1	WIRELESS LAN PCB	HL-L3290CDW		
2	LD1969001	1	WIRELESS LAN PCB	MFC-9350CDW		
2	LD1969001	1	WIRELESS LAN PCB	MFC-L3710CW		
2	LD1969001	1	WIRELESS LAN PCB	MFC-L3745CDW		
2	LD1969001	1	WIRELESS LAN PCB	MFC-L3750CDW		
2	LD1969001	1	WIRELESS LAN PCB	MFC-L3770CDW		
3	D0092S001	1	MODEM PCB	MFC-9150CDN		
3	D0092S001	1	MODEM PCB	MFC-9350CDW		
3	D0092S001	1	MODEM PCB	MFC-L3710CW		
3	D0092S001	1	MODEM PCB	MFC-L3730CDN		
3	D0092S001	1	MODEM PCB	MFC-L3735CDN		
3	D0092S001	1	MODEM PCB	MFC-L3745CDW		
3	D0092S001	1	MODEM PCB	MFC-L3750CDW		
3	D0092S001	1	MODEM PCB	MFC-L3770CDW		
4	D00K5G001	1	LOW-VOLTAGE POWER SUPPLY PCB CHN TWIN	DCP-9030CDN		
4	D00CTB001	1	LOW-VOLTAGE POWER SUPPLY PCB 230V SINGLE	DCP-L3510CDW		
4	D00CTB001	1	LOW-VOLTAGE POWER SUPPLY PCB 230V SINGLE	DCP-L3517CDW		
4	D00CTB001	1	LOW-VOLTAGE POWER SUPPLY PCB 230V SINGLE	DCP-L3550CDW	FOR GER/UK/SWI/ITA/IBE/ FRA/BEL/NLD/PND/CEE	
4	D00K5J001	1	LOW-VOLTAGE POWER SUPPLY PCB CHN SINGLE	DCP-L3550CDW	FOR RUS	
4	D00K5J001	1	LOW-VOLTAGE POWER SUPPLY PCB CHN SINGLE	DCP-L3551CDW	FOR IND	
4	D00U2U001	1	LOW-VOLTAGE POWER SUPPLY PCB 127V SINGLE	DCP-L3551CDW	FOR BRA	

14. PCB

REF NO.	CODE	Q'TY	DESCRIPTION	MODEL	SPEC	REMARKS
4	D00CTB001	1	LOW-VOLTAGE POWER SUPPLY PCB 230V SINGLE	DCP-L3551CDW	FOR NZ/CHL/ASA/GULF	
4	D008E4001	1	LOW-VOLTAGE POWER SUPPLY PCB 115V TWIN	HL-L3290CDW		
4	D00K5G001	1	LOW-VOLTAGE POWER SUPPLY PCB CHN TWIN	MFC-9150CDN		
4	D00K5G001	1	LOW-VOLTAGE POWER SUPPLY PCB CHN TWIN	MFC-9350CDW		
4	D008DS001	1	LOW-VOLTAGE POWER SUPPLY PCB 115V SINGLE	MFC-L3710CW	FOR USA/CAN	
4	D00CTB001	1	LOW-VOLTAGE POWER SUPPLY PCB 230V SINGLE	MFC-L3710CW	FOR GER/UK/NZ/FRA/BEL/NLD/ IBE	
4	D00CTB001	1	LOW-VOLTAGE POWER SUPPLY PCB 230V SINGLE	MFC-L3730CDN		
4	D00CTD001	1	LOW-VOLTAGE POWER SUPPLY PCB 230V TWIN	MFC-L3735CDN	FOR ASA	
4	D00K5G001	1	LOW-VOLTAGE POWER SUPPLY PCB CHN TWIN	MFC-L3735CDN	FOR IND	
4	D00CTD001	1	LOW-VOLTAGE POWER SUPPLY PCB 230V TWIN	MFC-L3745CDW		
4	D008E4001	1	LOW-VOLTAGE POWER SUPPLY PCB 115V TWIN	MFC-L3750CDW	FOR USA/CAN/TWN	
4	D00CTD001	1	LOW-VOLTAGE POWER SUPPLY PCB 230V TWIN	MFC-L3750CDW	FOR GER/UK/ARL/SWI/ITA/ IBE/FRA/BEL/NLD/PND/CHL/ ASA/GULF/KOR	
4	D00U2T001	1	LOW-VOLTAGE POWER SUPPLY PCB 127V TWIN	MFC-L3750CDW	FOR BRA	
4	D008E4001	1	LOW-VOLTAGE POWER SUPPLY PCB 115V TWIN	MFC-L3770CDW	FOR USA/CAN	
4	D00CTD001	1	LOW-VOLTAGE POWER SUPPLY PCB 230V TWIN	MFC-L3770CDW	FOR GER/UK/ARL/SWI/ITA/ IBE/NZ/FRA/BEL/NLD/CEE/ PHL/ASA	
4	D00K5G001	1	LOW-VOLTAGE POWER SUPPLY PCB CHN TWIN	MFC-L3770CDW	FOR RUS	
5	D00896001	1	HIGH-VOLTAGE POWER SUPPLY PCB			

15. OPTION



15. OPTION

REF NO.	CODE	Q'TY	DESCRIPTION	MODEL	SPEC	REMARKS
1	LV0366001	1	AC CORD BAG ASSY LF SAA S		FOR ARL/NZ	
1	LV1465001	1	AC CORD BAG ASSY LF INMETRO		FOR BRA	
1	LG6207001	1	AC CORD BAG ASSY LF CHILE		FOR CHL	
1	LV1093001	1	AC CORD BAG ASSY LF CHN S/BRO		FOR CHN	
1	LV0364001	1	AC CORD BAG ASSY LF VDE S		FOR GER/FRA/BEL/NLD/IBE/ CEE/PND/GULF/ITA/RUS/ASA	
1	LT0613001	1	AC CORD BAG ASSY LF IND		FOR IND	
1	LT2259001	1	AC CORD BAG ASSY LF SEV		FOR SWI	
1	LM9362001	1	AC CORD BAG ASSY LF UL/CSA		FOR USA/CAN	
1	LV0368001	1	AC CORD BAG ASSY LF BS/PSB S	DCP-L3510CDW	FOR UK/GULF	
1	LV0368001	1	AC CORD BAG ASSY LF BS/PSB S	DCP-L3550CDW	FOR UK	
1	LV1381001	1	AC CORD BAG ASSY LF PERU V	DCP-L3551CDW	FOR CHL	
1	LV0368001	1	AC CORD BAG ASSY LF BS/PSB S	DCP-L3551CDW	FOR ASA/GULF	
1	LG6404001	1	AC CORD BAG ASSY LF SAF	DCP-L3551CDW	FOR GULF	
1	LV0368001	1	AC CORD BAG ASSY LF BS/PSB S	MFC-L3710CW	FOR UK	
1	LV0368001	1	AC CORD BAG ASSY LF BS/PSB S	MFC-L3730CDN	FOR UK	
1	LV1381001	1	AC CORD BAG ASSY LF PERU V	MFC-L3735CDN	FOR ASA	
1	D00ZF5001	1	AC CORD BAG ASSY LF TWN 13A	MFC-L3750CDW	FOR TWN	
1	LV1381001	1	AC CORD BAG ASSY LF PERU V	MFC-L3750CDW	FOR CHL	
1	LG6404001	1	AC CORD BAG ASSY LF SAF	MFC-L3750CDW	FOR GULF	
1	LT0935001	1	AC CORD BAG ASSY LF KOR S	MFC-L3750CDW	FOR KOR	
1	LV0368001	1	AC CORD BAG ASSY LF BS/PSB S	MFC-L3750CDW	FOR UK/ASA/GULF	
1	LV0368001	1	AC CORD BAG ASSY LF BS/PSB S	MFC-L3770CDW	FOR UK/ASA	
1	LV1381001	1	AC CORD BAG ASSY LF PERU V	MFC-L3770CDW	FOR PHL	
2	LG3077001	1	TELEPHONE LINE CORD CSA	MFC-9150CDN		
2	LG3077001	1	TELEPHONE LINE CORD CSA	MFC-9350CDW		
2	LG3077001	1	TELEPHONE LINE CORD CSA	MFC-L3710CW	FOR USA/CAN/UK/FRA/BEL/NLD/ IBE	
2	UG3625001	1	TELEPHONE LINE CORD GER	MFC-L3710CW	FOR GER	
2	UG3626001	1	TELEPHONE LINE CORD UK6P	MFC-L3710CW	FOR UK	
2	UG3290001	1	TELEPHONE LINE CORD NZ	MFC-L3710CW	FOR NZ	
2	UG3627001	1	TELEPHONE LINE CORD FRA	MFC-L3710CW	FOR FRA/BEL/NLD	
2	UG3625001	1	TELEPHONE LINE CORD GER	MFC-L3730CDN	FOR GER	
2	LG3077001	1	TELEPHONE LINE CORD CSA	MFC-L3730CDN	FOR UK/FRA/BEL/NLD/CEE	
2	UG3626001	1	TELEPHONE LINE CORD UK6P	MFC-L3730CDN	FOR UK	
2	LG7202001	1	TELEPHONE LINE CORD SWI	MFC-L3730CDN	FOR SWI	
2	LT2144001	1	TELEPHONE LINE CORD ITA	MFC-L3730CDN	FOR ITA	
2	UG3627001	1	TELEPHONE LINE CORD FRA	MFC-L3730CDN	FOR FRA/BEL/NLD	
2	LG5827001	1	TELEPHONE LINE CORD RJ45	MFC-L3730CDN	FOR PND	
2	LG3077001	1	TELEPHONE LINE CORD CSA	MFC-L3735CDN		
2	LT3317001	1	TELEPHONE LINE CORD CSA2	MFC-L3745CDW		
2	LG3077001	1	TELEPHONE LINE CORD CSA	MFC-L3750CDW	FOR USA/CAN/UK/ITA/IBE/ FRA/BEL/NLD/TWN/CHL/ASA/ GULF/BRA/KOR	
2	UG3625001	1	TELEPHONE LINE CORD GER	MFC-L3750CDW	FOR GER	
2	UG3626001	1	TELEPHONE LINE CORD UK6P	MFC-L3750CDW	FOR UK	
2	LT3317001	1	TELEPHONE LINE CORD CSA2	MFC-L3750CDW	FOR ARL	
2	LG7202001	1	TELEPHONE LINE CORD SWI	MFC-L3750CDW	FOR SWI	
2	LT2144001	1	TELEPHONE LINE CORD ITA	MFC-L3750CDW	FOR ITA/IBE	
2	UG3627001	1	TELEPHONE LINE CORD FRA	MFC-L3750CDW	FOR FRA/BEL/NLD	
2	LG5827001	1	TELEPHONE LINE CORD RJ45	MFC-L3750CDW	FOR PND	
2	UG3290001	1	TELEPHONE LINE CORD NZ	MFC-L3750CDW	FOR ASA	
2	LG3077001	1	TELEPHONE LINE CORD CSA	MFC-L3770CDW	FOR USA/CAN/UK/ITA/IBE/ FRA/BEL/NLD/CEE/PHL/ASA/RUS	
2	UG3625001	1	TELEPHONE LINE CORD GER	MFC-L3770CDW	FOR GER	
2	UG3626001	1	TELEPHONE LINE CORD UK6P	MFC-L3770CDW	FOR UK	
2	LT3317001	1	TELEPHONE LINE CORD CSA2	MFC-L3770CDW	FOR ARL	
2	LG7202001	1	TELEPHONE LINE CORD SWI	MFC-L3770CDW	FOR SWI	
2	LT2144001	1	TELEPHONE LINE CORD ITA	MFC-L3770CDW	FOR ITA/IBE	
2	UG3290001	1	TELEPHONE LINE CORD NZ	MFC-L3770CDW	FOR NZ/ASA	
2	UG3627001	1	TELEPHONE LINE CORD FRA	MFC-L3770CDW	FOR FRA/BEL/NLD	
3	D011XY001	1	PF KIT 1 SP			
4	D011XZ001	1	PF KIT MP SP	MFC-9350CDW		
4	D011XZ001	1	PF KIT MP SP	MFC-L3770CDW		
5	XA9940051	1	TOUCH PEN			
(6)	LJ9803001	1	USB CABLE 2.0 (1.8METER)			

16. PACKING MATERIALS

