



Brother Facsimile Equipment

PARTS REFERENCE LIST

**MODEL:
DCP-9040CN / DCP-9042CDN
MFC-9440CN / MFC-9450CDN**



Read this list thoroughly before maintenance work.

Keep this list in a convenient place for quick and easy reference at all times.

April 2007
PL-FAX143
8CE113
Ver. AÕ-1

NOTE FOR USING THIS PARTS REFERENCE LIST

1. In the case of ordering parts, it is necessary to mention the following items;

- (1) Code
- (2) Q'ty
- (3) Description
- (4) Symbol (PCB No. etc)

Note: Orders without Parts Code or Tool No. can not be accepted.

< Example >

	(1)	(2)	(3)	(4)	
REF.NO.	CO DE	Q'TY	DESCRIPTION	SYMBOL	REMARK

2. Design-changed parts :

If any of the parts is changed, one of the following symbols is indicated in the REMARK column.

CHG(chg) : The parts is changed to a new parts.

ADD(add) : The parts is newly added.

DEL(del) : The parts is deleted.

Symbol in capital letters indicates the latest parts change information in the page.

3. Parts change will be informed by the Parts change information.

4. Parts are subject to change in design without prior notice.

COUNTRIES

U.S.A. ---- US

CANADA ---- CAN

GERMANY ---- GER

UNITED KINGDOM ---- UK

FRANCE ---- FRA

BELGIUM ---- BEL

NETHERLANDS ---- NLD

SWITZERLAND ---- CHE

IRELAND ---- IRE

SPAIN ---- SPA

ITALY ---- ITA

PORTUGAL ---- POR

CHINA ---- CHN

SOUTH AFRICA ----ZAF

ASIA (SINGAPORE&GULF) ---- ASA

BRAZIL ---- BRA

RUSSIA ----RUS

AUSTRALIA ---- ARL

NEW ZEALAND ---- NZ

PAN NORDIC

(NORWAY/ FINLAND/DENMARK/SWEDEN) ---- PND

EEU-GENERIC ---- EEU

IBERIA(SPAIN&PORTUGAL) ---- IBR

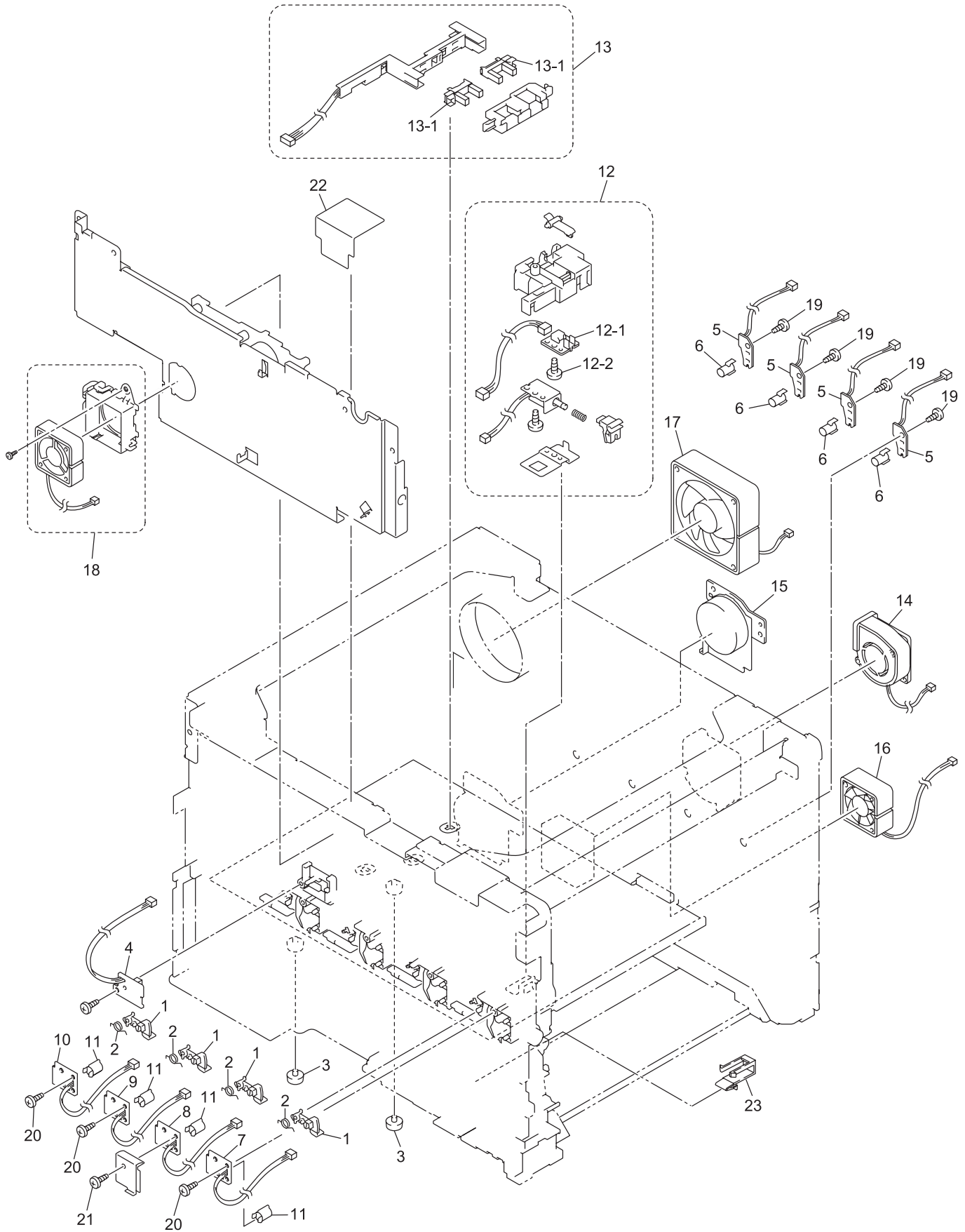
CONTENTS

1.	<u>FRAME UNIT</u>	1
2.	<u>DRIVE</u>	3
3.	<u>LASER UNIT</u>	5
4.	<u>PAPER FEEDER</u>	7
5.	<u>MP UNIT</u>	9
6.	<u>PAPER TRAY</u>	11
7.	<u>FUSER UNIT</u>	13
8.	<u>PAPER EJECT</u>	15
9.	<u>COVERS&LABELS</u>	17
10.	<u>DOCUMENT SCANNER</u>	19
11.	<u>ADF</u>	21
12.	<u>PANEL</u>	23
13.	<u>PCB</u>	26
14.	<u>ACCESSORIES</u>	28
15.	<u>PRINTED MATERIAL</u>	31
16.	<u>PACKING MATERIALS</u>	33
17.	<u>PERIODICAL MAINTENANCE PART</u>	37
18.	<u>DX</u>	39

1. FRAME UNIT

REF No.	CODE	Q'TY	DESCRIPTION	SYMBOL	REMARKS
1	LR0402001	4	NEW TONER ACTUATOR		
2	LR0403001	4	NEW TONER ACTUATOR SPRING		
3	UH2208001	2	RUBBER FOOT		
4	LM9189001	1	DEVELOP RELEASE SENSOR PCB ASSY	B512243	
5	LM9210001	4	TONER LED PCB ASSY	B512237	
6	LR1094001	4	LED HOLDER		
7	LM9211001	1	TONER SENSOR PCB ASSY K (TE/NEW)		
8	LM9334001	1	TONER SENSOR PCB ASSY Y (TE/NEW)		
9	LM9335001	1	TONER SENSOR PCB ASSY M (TE/NEW)		
10	LM9336001	1	TONER SENSOR PCB ASSY C (TE/NEW)		
11	UL9037001	4	LED HOLDER		
12	LR0523001	1	BELT CLEANER RELEASE ASSY		
12-1	LM9218001	1	BELT CLEANER RELEASE SENSOR PCB ASSY	B512233	
12-2	085310816	1	TAPTITE BIND B M3X8		
13	LR0532001	1	WASTE TONER SENSOR HOLDER ASSY		
13-1	LM9221001	2	WASTE TONER SENSOR		
14	LR0589001	1	AIR INTAKE FAN(AIR)		
15	LR0217001	1	BELT UNIT DRIVE MOTOR		
16	LR0903001	1	LVPS FAN (PS)		
17	LR0906001	1	FUSER UNIT FAN (FU)		
18	LU4228001	1	DRUM UNIT FAN HOLDER ASSY (OPC)		CHG
19	0A2301603	4	SCREW PAN (P WASHER) M3X16		
20	085310816	3	TAPTITE BIND B M3X8		
21	087310816	1	TAPTITE CUP B M3X8		
22	LR1820001	1	ALUMINUM SHEET FRAME		
23	LU4027001	1	DX HOOK ASSY AC, DCP9042CDN/MFC9450CDN		

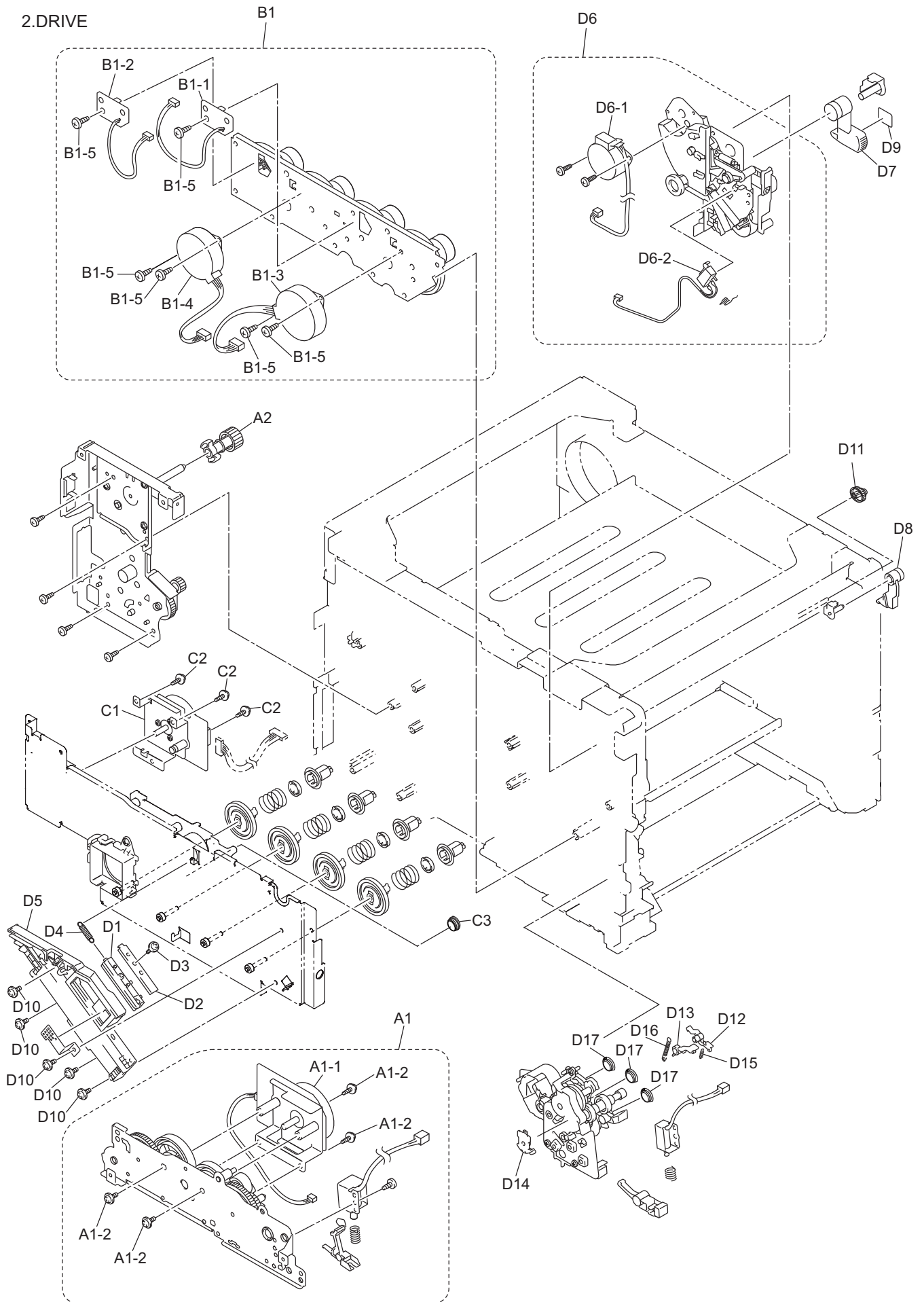
1.FRAME UNIT



2. DRIVE

REF No.	CODE	Q'TY	DESCRIPTION	SYMBOL	REMARKS
			CLEANER DRIVE		
A1	LR1246001	1	DRIVE FRAME UNIT ASSY		
A1-1	LR0440001	1	PAPER FEED/BELT CLEANER MOTOR ASSY		
A1-2	087320616	4	TAPTITE CUP S M3X6		
A2	LR1126001	1	FUSER DRIVE GEAR 18		ADD
			DRUM DRIVE		
B1	LR1904001	1	DRUM DRIVE ASSY		
B1-1	LM9192001	1	DRUM PHASE SENSOR PCB ASSY1	B512236	
B1-2	LM9337001	1	DRUM PHASE SENSOR PCB ASSY2	B512236	
B1-3	Z31008001	1	DRUM DRIVE MOTOR1		
B1-4	Z31012001	1	DRUM DRIVE MOTOR2		
B1-5	085320616	6	TAPTITE BIND S M3X6		
			DEVELOP DRIVE		
C1	LR0193001	1	DEVELOP DRIVE MOTOR ASSY		
C2	087320616	3	TAPTITE CUP S M3X6		
C3	LU4111001	1	FRICTION CAP		add
			DRUM DRAW DRIVE		
D1	LR1006001	1	RELEASE RACK		
D2	LR1007001	1	RELEASE RACK PLATE		
D3	087310816	1	TAPTITE CUP B M3X8		
D4	LR1008001	1	RELEASE RACK SPRING		
D5	LR1228001	1	THM/HUM SENSOR HOLDER ASSY		
D6	LR0803001	1	DEVELOP PRESS DRIVE L ASSY		
D6-1	LR0823001	1	DEVELOP RELEASE MOTOR ASSY		
D6-2	LR0827001	1	FRONT COVER INTERLOCK SWITCH ASSY		
D7	LR1014001	1	DRUM LOCK LEVER L		
D8	LR1018001	1	DRUM LOCK LEVER R		
D9	LR1710001	1	DRUM LOCK LEVER LABEL		
D10	087320616	5	TAPTITE CUP S M3X6		
D11	LR1023001	1	DRUM LOCK GEAR 24		add
D12	LR0307001	1	HOOK B		add
D13	LR0308001	1	HOOK C		add
D14	LR0327001	1	BUSH7		add
D15	LR0910001	1	HOOK SPRING BC		add
D16	LR0310001	1	PP GEAR CLUTCH CAM SPRING		add
D17	LR0296001	3	BUSH5		add

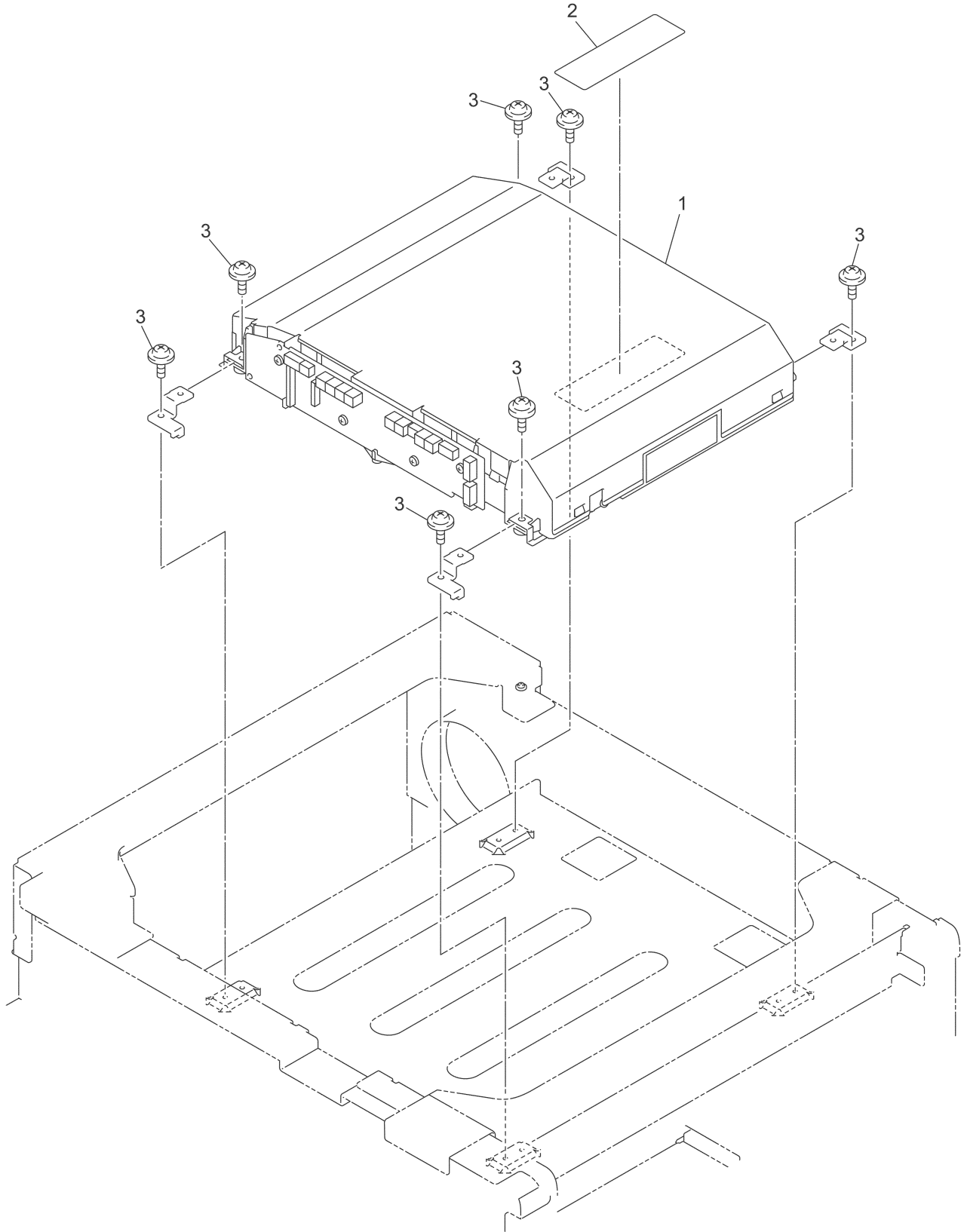
2.DRIVE



3. LASER UNIT

REF No.	CODE	Q'TY	DESCRIPTION	REMARKS
1	LU4373001	1	LASER UNIT (SP)	CHG
2	LJ0908001	1	LASER CAUTION LABEL EXCEPT FOR CHN	
2	UL7931001	1	LASER CAUTION LABEL FOR CHN	
3	LM5867001	7	TAPTITE CUP S M3X6 SR	

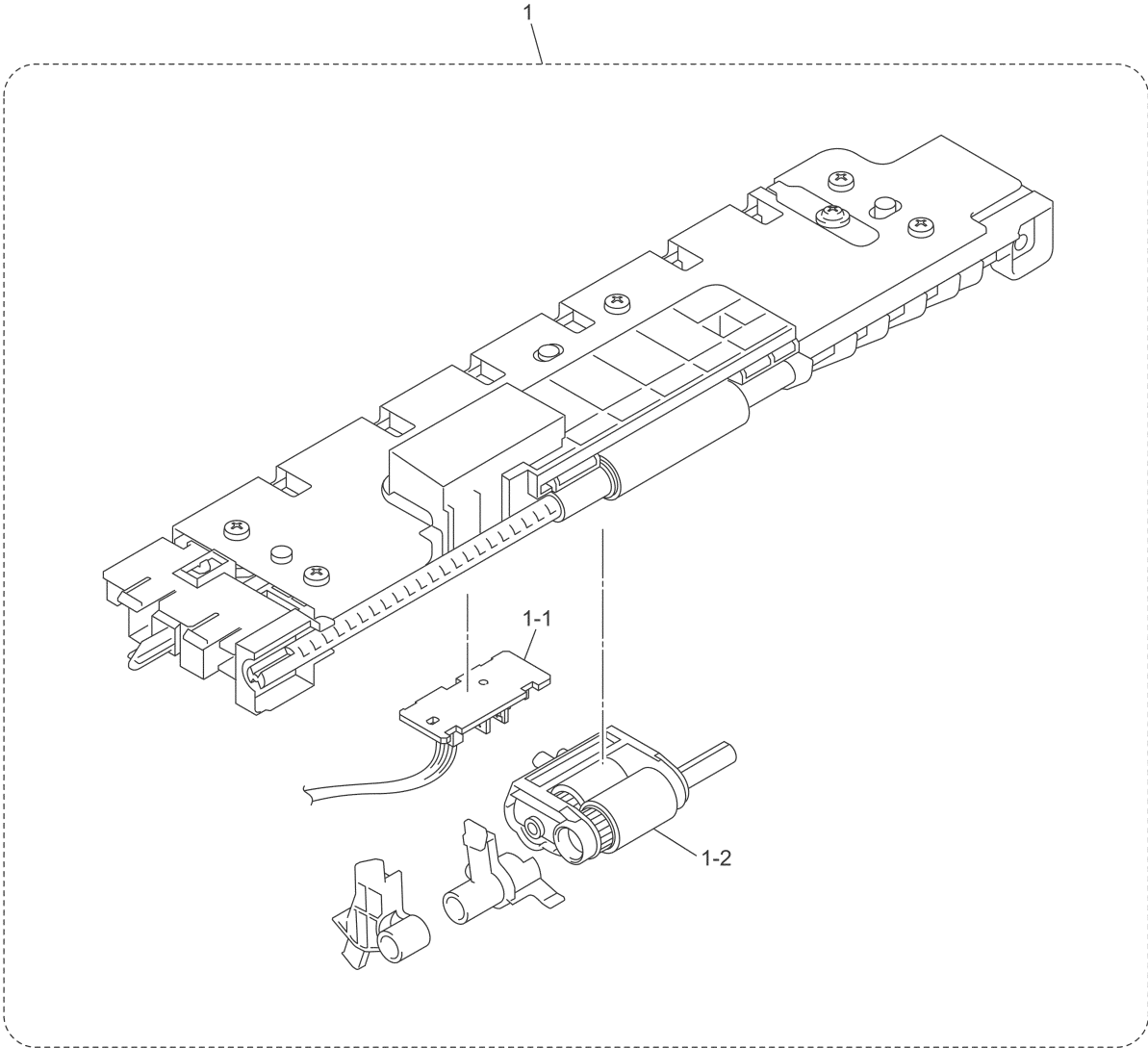
3.LASER UNIT



4. PAPER FEEDER

REF No.	CODE	Q'TY	DESCRIPTION	REMARKS
1	LR0107001	1	PAPER FEED FRAME UNIT	
1-1	LM9185001	1	T1 PE/EDGE SENSOR PCB ASSY	
1-2	LR1914001	1	ROLLER HOLDER ASSY	

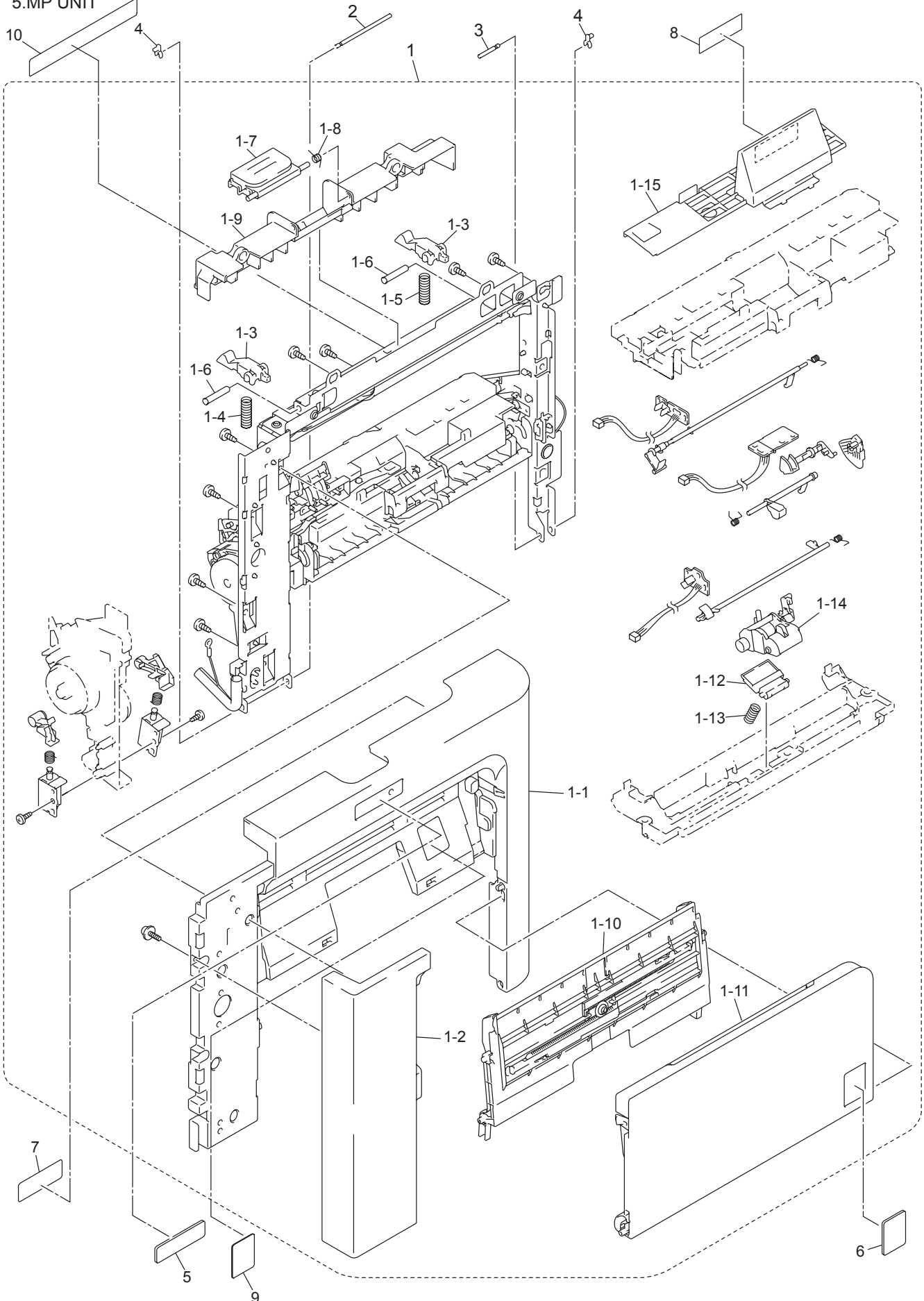
4.PAPER FEEDER



5. MP UNIT

REF No.	CODE	Q'TY	DESCRIPTION	REMARKS
1	LR1768001	1	FRONT DOOR UNIT ASSY (SP)	
1-1	LR1601001	1	FRONT DOOR MAIN	
1-2	LR0707001	1	FRONT DOOR SUB	
1-3	LR1037001	2	HOOK	
1-4	LR1676001	1	HOOK SPRING L	
1-5	LR1677001	1	HOOK SPRING R	
1-6	LR1025001	2	HOOK SHAFT	
1-7	LR0691001	1	FRONT COVER RELEASE BUTTON	
1-8	LR0692001	1	BUTTON SPRING	
1-9	LR0700001	1	HOOK COVER	
1-10	LR0854001	1	MP PAPER GUIDE ASSY	
1-11	LR0856001	1	MP COVER ASSY	
1-12	LR0716001	1	SEPARATION PAD ASSY MP	
1-13	LR0718001	1	SEPARATION PAD SPRING MP	
1-14	LR1916001	1	MP ROLLER HOLDER ASSY	
1-15	LR0853001	1	MP FEED FRAME COVER	
1-16	LU4058001	1	SHOULDER SCREW	add
2	LR0860001	1	HINGE SHAFT L	
3	LR0861001	1	HINGE SHAFT R	
4	LR0862001	2	COLLAR 3	
5	LU4163001	1	BROTHER EMBLEM 2	CHG
6	LR1248001	1	COLOR LASER LABEL	
7	LR1388001	1	HEATER CAUTION LABEL	
8	LU0233001	1	CAUTION LABEL S 13X40	
9	LR1389001	1	MP SET INSTRUCTION LABEL	add
10	LR1610001	1	TONER LABEL US, DCP9040CN/DCP9042CDN/MFC9440CN/ MFC9450CDN FOR US/CAN/BRA	add
10	LR1619001	1	TONER LABEL EU, DCP9040CN FOR GER/UK/CHE/SPA/POR/ITA/RUS/FRA/BEL/ NLD/PND/EEU, DCP9042CDN FOR GER/UK/FRA/BEL/NLD/CHE/ITA/RUS/PND/ IBR/EEU, MFC9440CN FOR GER/UK/CHE/SPA/POR/ ITA/ZAF/RUS/FRA/ BEL/NLD/PND/EEU, MFC9450CDN FOR GER/UK/FRA/BEL/NLD/CHE/ITA/RUS/PND/ IBR/EEU	add
10	LR1736001	1	TONER LABEL CHN, DCP9040CN/DCP9042CDN/MFC9440CN/MFC9450CDN FOR CHN	add
10	LR1757001	1	TONER LABEL AP, DCP9040CN/DCP9042CDN FOR ASA, MFC9440CN FOR ASA/ARL/NZ, MFC9450CDN FOR ZAF/ASA/ARL/NZ	add

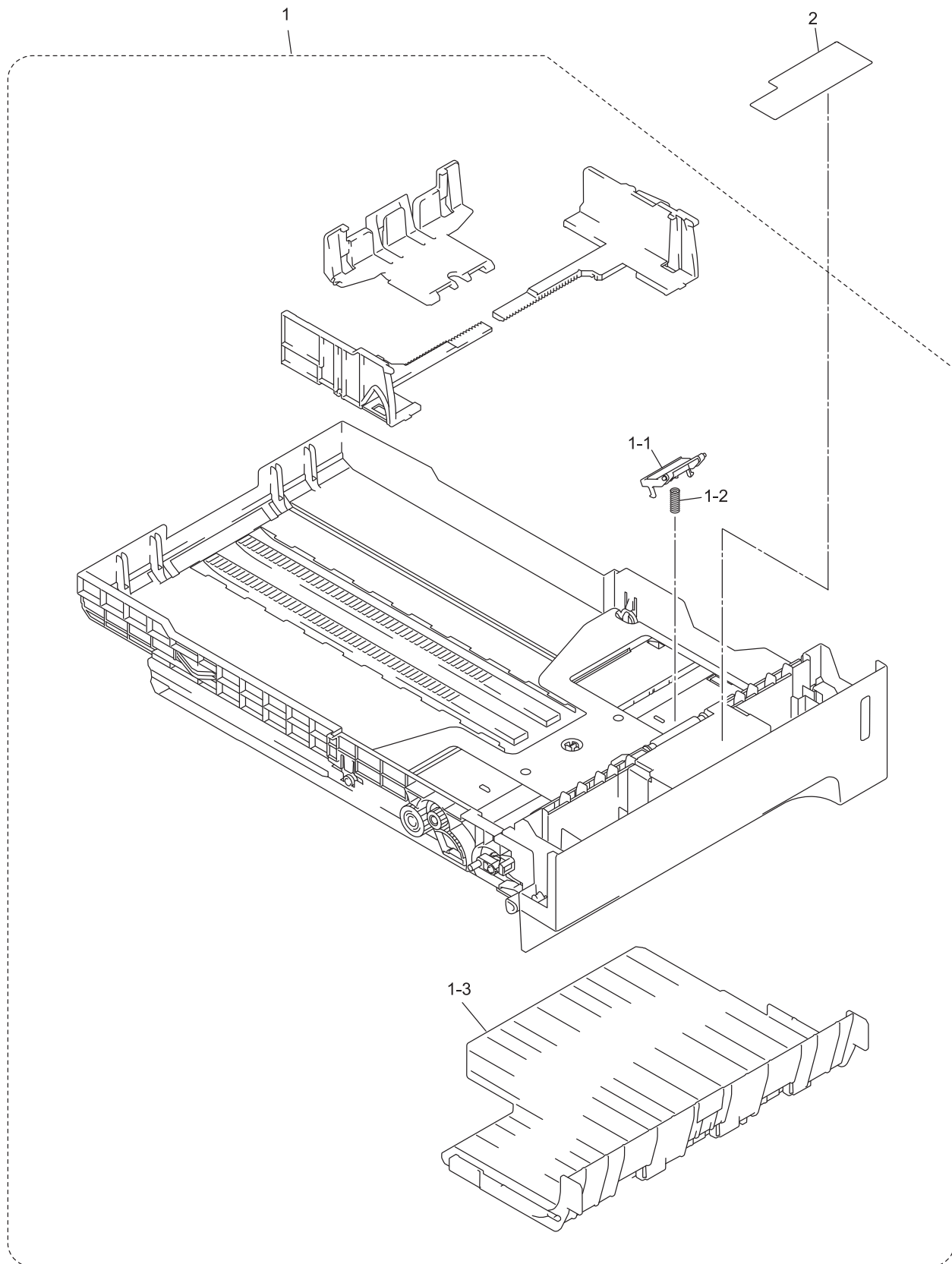
5.MP UNIT



6. PAPER TRAY

REF No.	CODE	Q'TY	DESCRIPTION	REMARKS
1	LR1186002	1	PAPER TRAY UNIT, DCP9040CN/MFC9440CN	
1	LR0247001	1	PAPER TRAY UNIT, DCP9042CDN/MFC9450CDN	
1-1	LM5237001	1	SEPARATION PAD ASSY	
1-2	LR0931001	1	SEPARATION PAD SPRING	
1-3	LR0545001	1	PAPER GUIDE DX ASSY, DCP9042CDN/MFC9450CDN	
2	LU4358001	1	LABEL SPRAY CAUTION TRAY 2	ADD

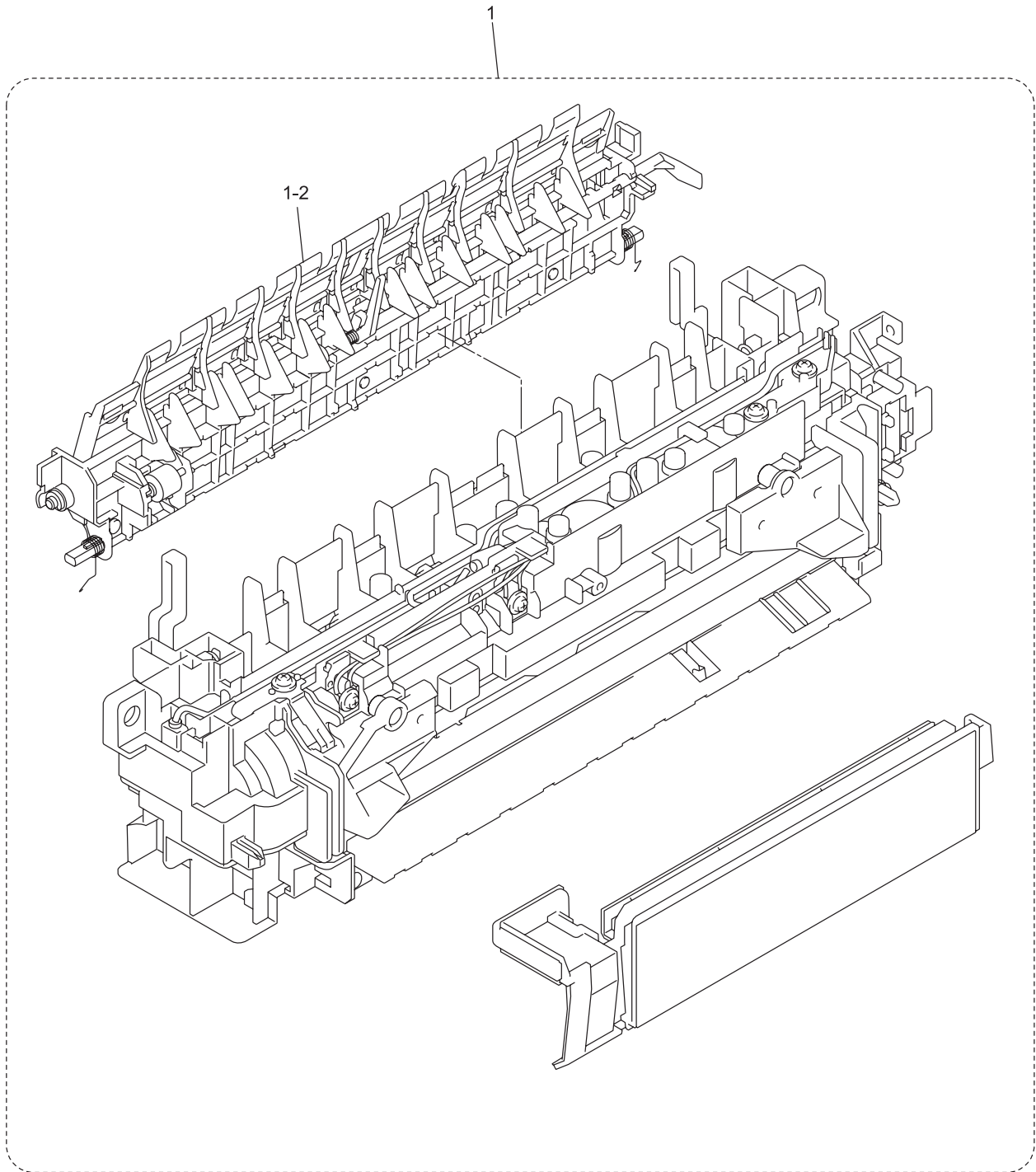
6.PAPER TRAY



7. FUSER UNIT

REF No.	CODE	Q'TY	DESCRIPTION	REMARKS
1	LU4103001	1	FUSER UNIT 115V(SP) FOR US/CAN/BRA	chg
1	LU4104001	1	FUSER UNIT 230V(SP) FOR GER/UK/FRA/BEL/NLD/ CHE/IRE/SPA/ITA/POR/CHN/ZAF/ASA/RUS/ARL/NZ/PND/ IBR/EEU	chg
1-1	LU0395001	2	TAPTITE PAN B M4X14	DEL
1-2	LU4093001	1	FUSER REAR COVER ASSY(SP)	add

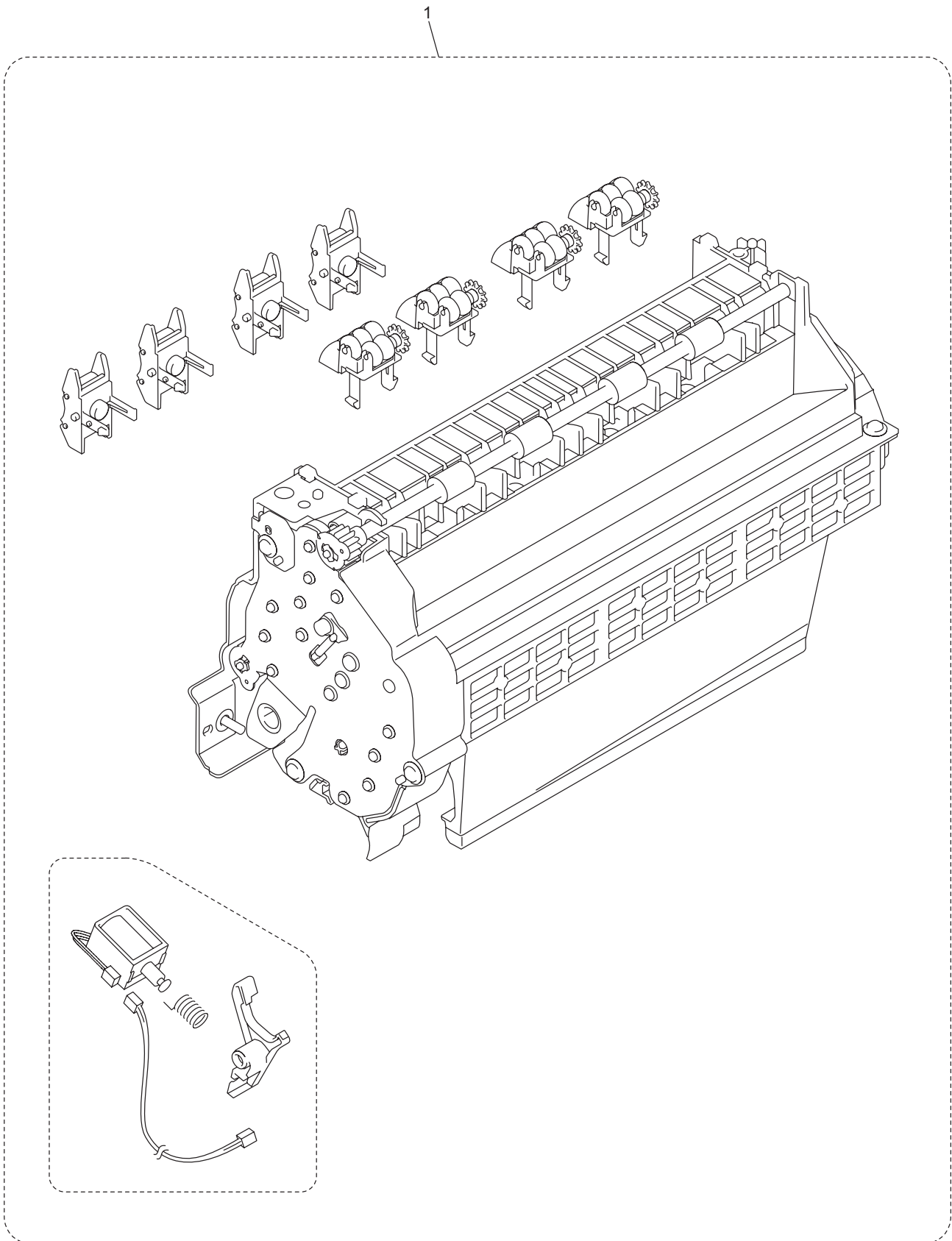
7.FUSER UNIT



8. PAPER EJECT

REF No.	CODE	Q'TY	DESCRIPTION	REMARKS
1	LU0534001	1	PAPER EJECT ASSY SX (SP), DCP9040CN/MFC9440CN	CHG
1	LU0533001	1	PAPER EJECT ASSY DX (SP), DCP9042CDN/MFC9450CDN	

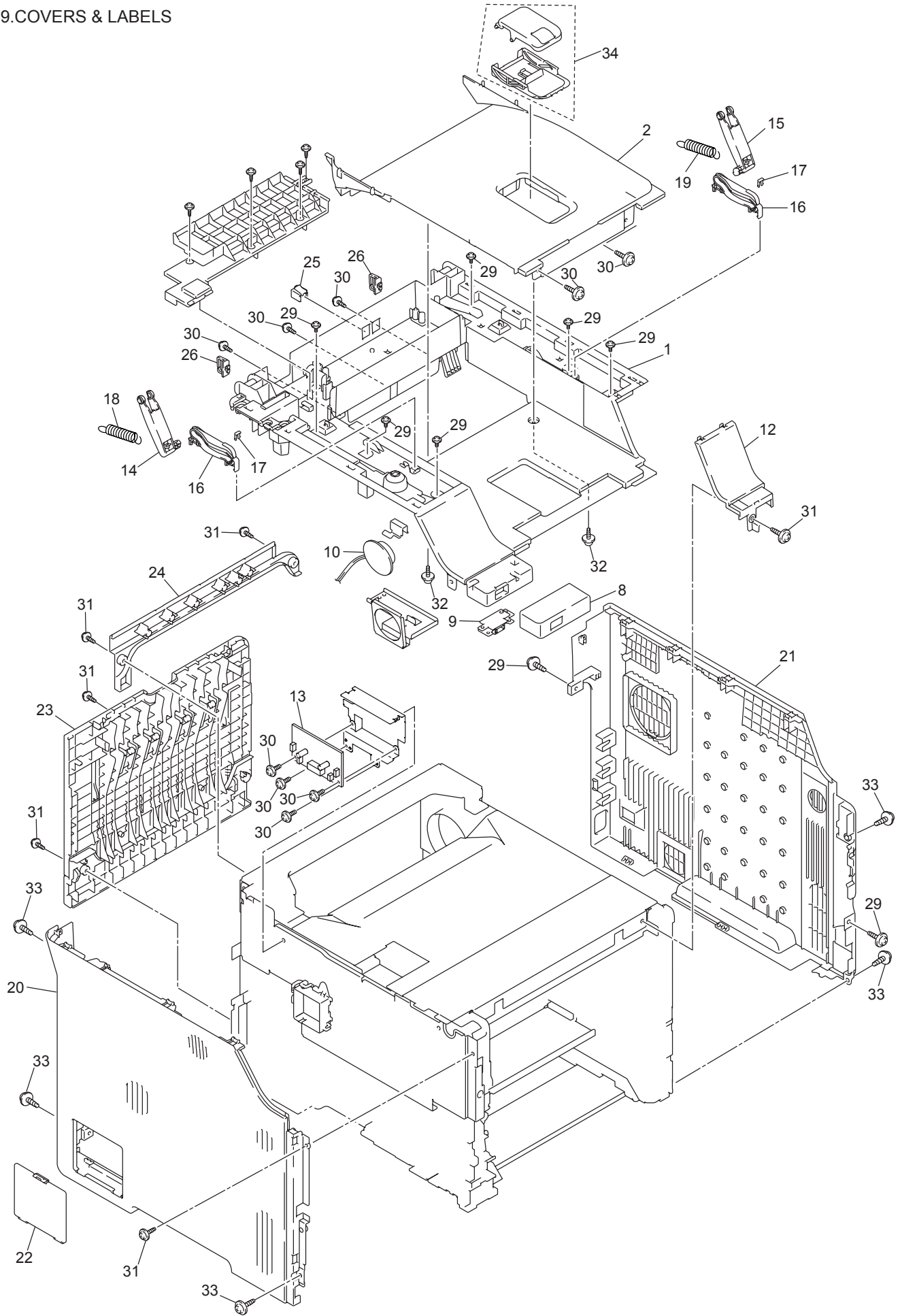
8.PAPER EJECT



9. COVERS&LABELS

REF No.	CODE	Q'TY	DESCRIPTION	SYMBOL	REMARKS
1	LS0621001	1	JOINT COVER SUB ASSY, GRAY(1862), DCP9040CN/DCP9042CDN		add
1	LS0620001	1	JOINT COVER SUB ASSY, GRAY(1862), MFC9440CN/MFC9450CDN		add
2	LP2563001	1	PAPER CHUTE		
3	LP2564001	4	PAPER STOPPER, BLUE(6509)		DEL
4	LP2565001	4	PAPER STOPPER GUIDE, BLUE(6509)		DEL
5	LR1825001	4	STACK LEVER HOLDER L		del
6	LR1826001	4	STACK LEVER HOLDER R		del
7	LR1725001	2	PAPER STACK LEVER		del
8	LP2871001	1	TOP COVER USB FRONT, DCP9040CN/DCP9042CDN		
8	LP2819001	1	TOP COVER USB FRONT, MFC9440CN/MFC9450CDN		
9	LM9332001	1	USB HOST RELAY PCB ASSY, MFC9440CN/MFC9450CDN	B512252	
10	LG7270001	1	SPEAKER ASSY		
11	LP2568001	4	SPEAKER HOLDER		del
12	LP2570001	1	JOINT SUB COVER, GRAY(1861)		
13	LG7149001	1	DRIVER PCB ASSY	B53K910	
14	LF6145001	1	PULL ARM L		
15	LF6146001	1	PULL ARM R		
16	LF6147001	2	PULL ARM GUIDE		
17	LF6148001	2	PULL ARM STOPPER		
18	LS0628001	1	PULL ARM SPRING L		chg
19	LS0895001	1	PULL ARM SPRING R		chg
20	LP2624001	1	SIDE COVER L ASSY, GRAY(1862)		
21	LP2860001	1	SIDE COVER R ASSY, GRAY(1861)		
22	LR0516001	1	ACCESS COVER		
23	LR1361001	1	BACK COVER ASSY, GRAY(1862)		
24	LR0519001	1	BACK COVER UPPER		
25	UF5745000	1	MJ COVER EXT, MFC9440CN FOR GER/UK/FRA/BEL/NLD/IRE/ITA/ZAF/PND, MFC9450CDN FOR GER/UK/ITA/FRA/BEL/NLD/PND		
25	LE8842001	1	EXT CAP, MFC9450CDN FOR US/CAN/CHE/CHN/ZAF/ASA/ RUS/ARL/NZ/IBR/EEU		
26	LP2612001	2	CORD HOLDER, GRAY(1862), MFC9440CN/MFC9450CDN		
27	085310816	2	TAPTITE BIND B M3X8		del
28	085411216	2	TAPTITE BIND B M4X12		del
29	087420816	8	TAPTITE CUP S M4X8		
30	087320616	9	TAPTITE CUP S M3X6		
31	087320816	6	TAPTITE CUP S M3X8		
32	087310816	2	TAPTITE CUP B M3X8		
33	087411216	5	TAPTITE CUP B M4X12		
34	LS1004001	1	PAPER STOPPER PACKING ASSY		ADD

9. COVERS & LABELS



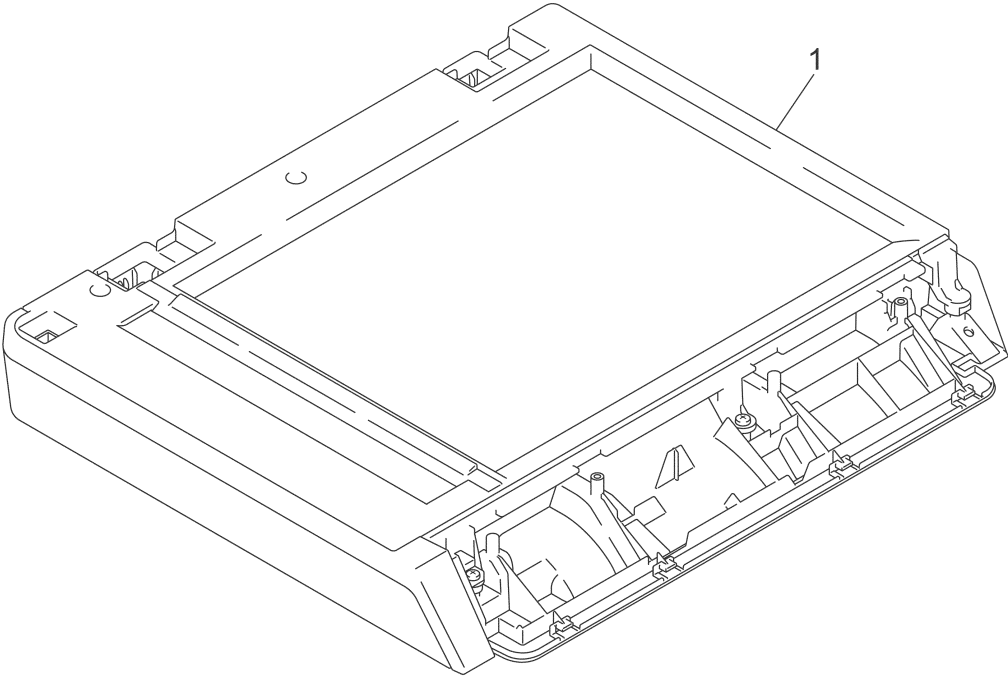
10.DOCUMENT SCANNER

REF No.	CODE	Q'TY	DESCRIPTION	SYMBOL	REMARKS
1	LP7105001	1	DOCUMENT SCANNER UNIT(SP)		

8CE103/8CE104/8CE113/8CE114/
8CE133/8CE134/8CE143/8CE144

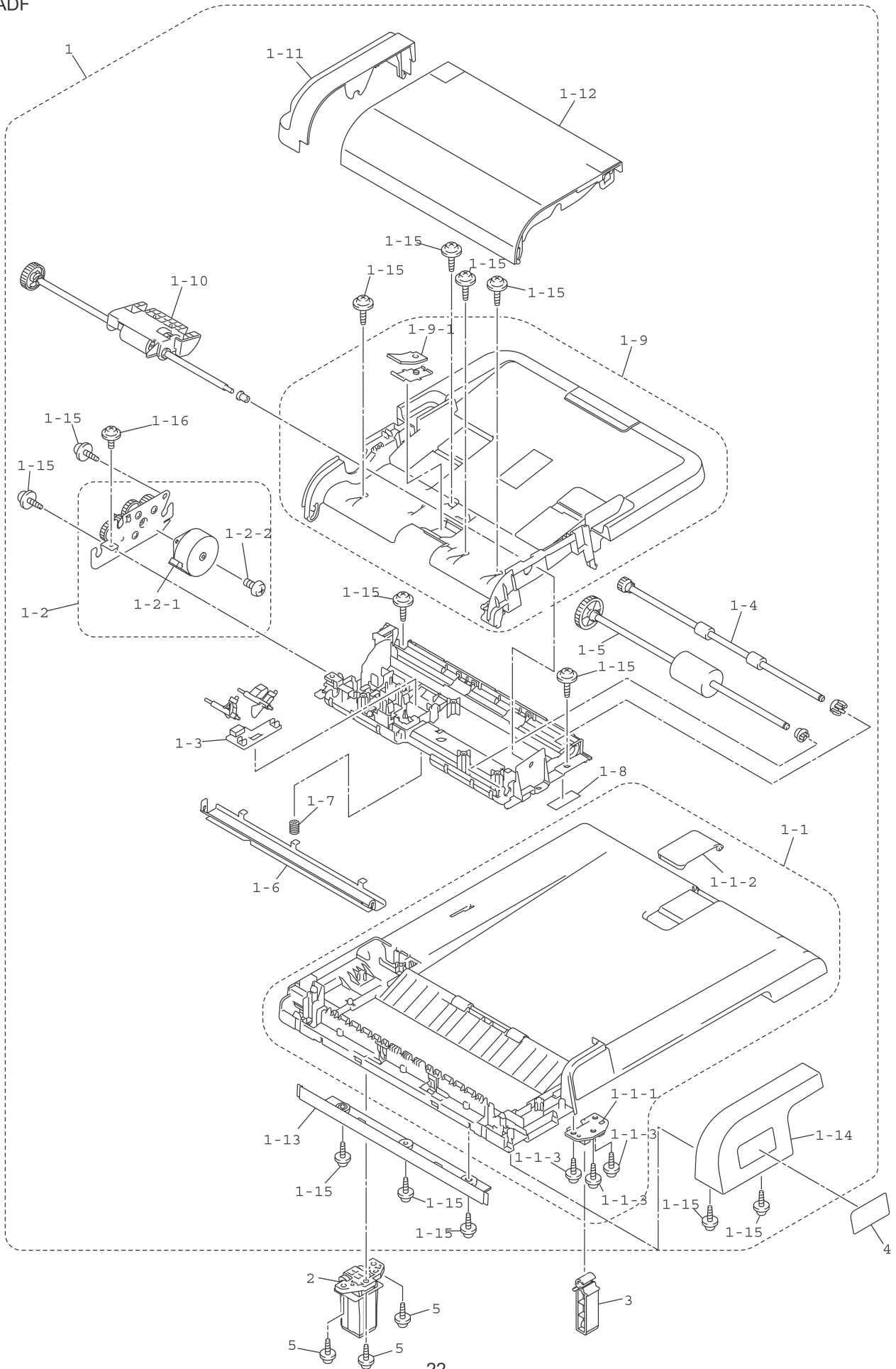
DCP9040CN/DCP9042CDN/
MFC9440CN/MFC9450CDN

10.DOCUMENT SCANNER



11.ADF

REF No.	CODE	Q'TY	DESCRIPTION	SYMBOL	REMARKS
1	LP7106001	1	ADF UNIT(SP)		
1-1	LP2583001	1	DOCUMENT COVER SUB ASSY, GRAY(1861)		
1-1-1	LP2588001	1	HINGE BASE R, GRAY(1861)		
1-1-2	LP2589001	1	DOCUMENT STOPPER, GRAY(1861)		
1-1-3	087311016	3	TAPTITE CUP B M3X10		
1-2	LF9080001	1	DRIVE FRAME ASSY		
1-2-1	LF9081001	1	ADF MOTOR		
1-2-2	085320616	1	TAPTITE BIND S M3X6		
1-3	LG7146001	1	ADF SENSOR PCB ASSY	B53K909	
1-4	LF6577001	1	EJECTION ROLLER ASSY		
1-5	LF6579001	1	LF ROLLER ASSY		
1-6	LP2591001	1	DOCUMENT HOLD ASSY		
1-7	LP2594001	1	DOCUMENT SPRING		
1-8	LF6865001	1	LOWER CHUTE FILM		
1-9	LP2595001	1	UPPER DOCUMENT CHUTE ASSY, GRAY(1862)		
1-9-1	LF7135001	1	SEPARATION RUBBER		
1-10	LP2601001	1	SEPARATE ROLLER SHAFT ASSY		
1-11	LP2603001	1	GEAR COVER,GRAY(1682)		
1-12	LP2604001	1	ADF COVER ASSY, GRAY(1862)		
1-13	LP2606001	1	ADF SIDE COVER, GRAY(1862)		
1-14	LP2607001	1	ADF FRONT COVER, GRAY(1862)		
1-15	087311016	13	TAPTITE CUP B M3X10		
1-16	087320616	1	TAPTITE CUP S M3X6		
2	LS3617001	1	HINGE ASSY L		CHG
3	LS7497004	1	HINGE ARM R, GRAY(1861)		chg
4	LP2680001	1	ADF EMBLEM, DCP9040CN/DCP9042CDN		
4	LP2613001	1	ADF EMBLEM, MFC9440CN/MFC9450CDN		
5	087311016	3	TAPTITE CUP B M3X10		



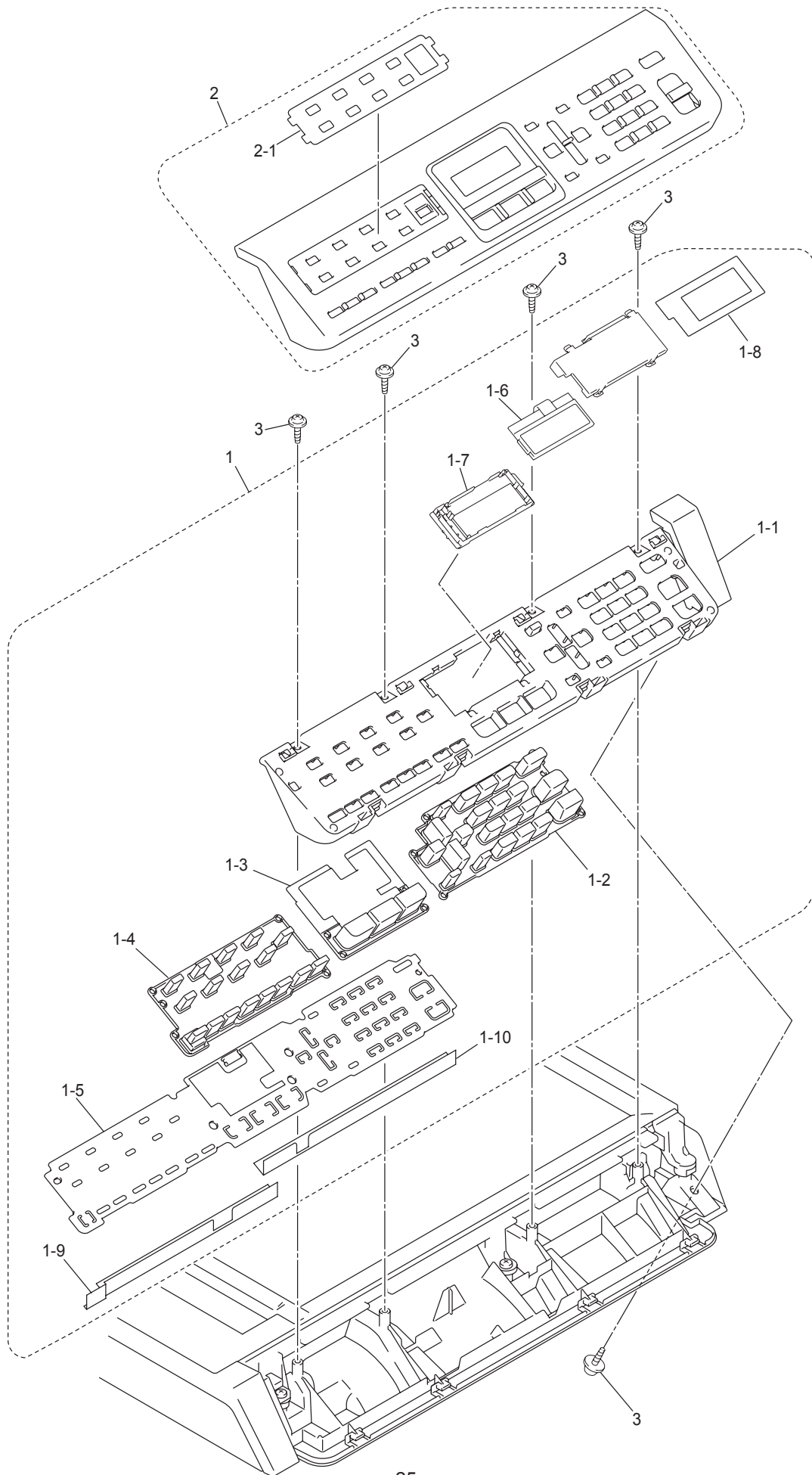
12. PANEL

REF No.	CODE	Q'TY	DESCRIPTION	SYMBOL	REMARKS
1	LP2548001	1	PANEL UNIT, DCP9040CN/DCP9042CDN FOR US/CAN		
1	LP2614001	1	PANEL UNIT, MFC9440CN/MFC9450CDN FOR US/CAN/GER/UK/ FRA/BEL/NLD/CHE/IRE/SPA/ITA/POR/CHN/ZAF/ASA/BRA/ARL/NZ/ IBR/PND		
1	LP7157001	1	PANEL UNIT, DCP9040CN/DCP9042CDN FOR GER/UK/FRA/ BEL/NLD/CHE/SPA/ITA/POR/CHN/ASA/RUS/PND/IBR/EEU		
1	LS0709001	1	PANEL UNIT, MFC9440CN/MFC9450CDN FOR RUS/EEU		
1-1	LP2549001	1	PANEL COVER, GRAY(1861), DCP9040CN/DCP9042CDN		
1-1	LP2615001	1	PANEL COVER, GRAY(1861), MFC9440CN/MFC9450CDN		
1-2	LP2552001	1	RUBBER KEY R, DCP9040CN/DCP9042CDN		
1-2	LP2550001	1	RUBBER KEY R, MFC9440CN/MFC9450CDN		
1-3	LP2690001	1	RUBBER KEY C, DCP9040CN/DCP9042CDN		
1-3	LP2628001	1	RUBBER KEY C, MFC9440CN/MFC9450CDN		
1-4	LP2554001	1	RUBBER KEY L, DCP9040CN/DCP9042CDN		
1-4	LP2630001	1	RUBBER KEY L, MFC9440CN/MFC9450CDN		
1-5	LG7245001	1	PANEL PCB ASSY, DCP9040CN/DCP9042CDN	B53K915	
1-5	LG7154001	1	PANEL PCB ASSY, MFC9440CN/MFC9450CDN	B53K908	
1-6	A62029001	1	LCD, MFC9440CN/MFC9450CDN FOR US/CAN/GER/UK/ FRA/BEL/NLD/CHE/IRE/SPA/ITA/POR/CHN/ZAF/ASA/BRA/ ARL/NZ/IBR/PND, DCP9040CN/DCP9042CDN FOR US/CAN		CHG
1-6	A62009001	1	LCD, MFC9440CN/MFC9450CDN FOR RUS/EEU, DCP9040CN/ DCP9042CDN FOR GER/UK/FRA/BEL/NLD/CHE/SPA/ITA/POR/ CHN/ASA/RUS/PND/IBR/EEU		chg
1-7	LG6257001	1	BACK LIGHT MODULE		
1-8	LP7001001	1	PANEL INSULATION SHEET		
1-9	LP7087001	1	PANEL INSULATION SHEET L, DCP9040CN/DCP9042CDN		
1-9	LP7085001	1	PANEL INSULATION SHEET L, MFC9440CN/MFC9450CDN		
1-10	LP7088001	1	PANEL INSULATION SHEET R, DCP9040CN/DCP9042CDN		
1-10	LP7086001	1	PANEL INSULATION SHEET R, MFC9440CN/MFC9450CDN		
2	LP2557001	1	PRINTED PANEL COVER, DCP9040CN FOR US/CAN		
2	LS3164001	1	PRINTED PANEL COVER, DCP9042CDN FOR US/CAN		
2	LP2616001	1	PRINTED PANEL COVER, MFC9440CN FOR US/CAN		
2	LS3150001	1	PRINTED PANEL COVER, MFC9450CDN FOR US/CAN		
2	LS0673001	1	PRINTED PANEL COVER, DCP9040CN FOR GER/CHE/EEU [GERMAN]		
2	LS3481001	1	PRINTED PANEL COVER, DCP9042CDN FOR GER/CHE/EEU [GERMAN]		
2	LP7161001	1	PRINTED PANEL COVER, MFC9440CN FOR GER/CHE/EEU [GERMAN]		
2	LS3280001	1	PRINTED PANEL COVER, MFC9450CDN FOR GER/CHE/EEU [GERMAN]		
2	LP7149001	1	PRINTED PANEL COVER, DCP9040CN FOR UK/FRA/BEL/NLD/ ASA/EEU [ENGLISH]		
2	LS3532001	1	PRINTED PANEL COVER, DCP9042CDN FOR UK/FRA/BEL/NLD/ASA/ EEU [ENGLISH]		
2	LP7051001	1	PRINTED PANEL COVER, MFC9440CN FOR UK/IRE/FRA/BEL/NLD/ ZAF/EEU [ENGLISH]		
2	LS3284001	1	PRINTED PANEL COVER, MFC9450CDN FOR UK/FRA/BEL/NLD/ ZAF/EEU [ENGLISH]		
2	LP7150001	1	PRINTED PANEL COVER, DCP9040CN FOR FRA/BEL/NLD/CHE [FRENCH]		
2	LS3482001	1	PRINTED PANEL COVER, DCP9042CDN FOR FRA/BEL/NLD/CHE [FRENCH]		
2	LP7052001	1	PRINTED PANEL COVER, MFC9440CN FOR FRA/BEL/ NLD/CHE [FRENCH]		
2	LP7151001	1	PRINTED PANEL COVER, DCP9040CN FOR FRA/BEL/NLD [DUTCH]		
2	LS3488001	1	PRINTED PANEL COVER, DCP9042CDN FOR FRA/BEL/NLD [DUTCH]		
2	LP7053001	1	PRINTED PANEL COVER, MFC9440CN FOR FRA/BEL/NLD [DUTCH]		
2	LS3282001	1	PRINTED PANEL COVER, MFC9450CDN FOR FRA/BEL/NLD/CHE [FRENCH]		
2	LS3288001	1	PRINTED PANEL COVER, MFC9450CDN FOR FRA/BEL/NLD [DUTCH]		
2	LP7141001	1	PRINTED PANEL COVER, DCP9040CN FOR SPA/POR [SPANISH]		

12. PANEL

REF No.	CODE	Q'TY	DESCRIPTION	SYMBOL	REMARKS
2	LP7040001	1	PRINTED PANEL COVER, MFC9440CN FOR SPA/POR [SPANISH]		
2	LP7143001	1	PRINTED PANEL COVER, DCP9040CN FOR SPA/POR [PORTUGUESE]		
2	LP7044001	1	PRINTED PANEL COVER, MFC9440CN FOR SPA/POR [PORTUGUESE]		
2	LP7147001	1	PRINTED PANEL COVER, DCP9040CN FOR ITA		
2	LS3486001	1	PRINTED PANEL COVER, DCP9042CDN FOR ITA		
2	LP7047001	1	PRINTED PANEL COVER, MFC9440CN FOR ITA		
2	LS3279001	1	PRINTED PANEL COVER, MFC9450CDN FOR ITA		
2	LS0524001	1	PRINTED PANEL COVER, DCP9040CN FOR CHN		
2	LS3527001	1	PRINTED PANEL COVER, DCP9042CDN FOR CHN		
2	LS0530001	1	PRINTED PANEL COVER, MFC9440CN FOR CHN		
2	LS3410001	1	PRINTED PANEL COVER, MFC9450CDN FOR CHN		
2	LP7167001	1	PRINTED PANEL COVER, MFC9440CN FOR ASA/ARL/NZ		
2	LS3381001	1	PRINTED PANEL COVER, MFC9450CDN FOR ASA/ARL/NZ		
2	LS0526001	1	PRINTED PANEL COVER, MFC9440CN FOR BRA		
2	LS0523001	1	PRINTED PANEL COVER, DCP9040CN FOR RUS		
2	LS3550001	1	PRINTED PANEL COVER, DCP9042CDN FOR RUS		
2	LS0528001	1	PRINTED PANEL COVER, MFC9440CN FOR RUS		
2	LS3467001	1	PRINTED PANEL COVER, MFC9450CDN FOR RUS		
2	LS0522001	1	PRINTED PANEL COVER, DCP9040CN FOR PND		
2	LS3529001	1	PRINTED PANEL COVER, DCP9042CDN FOR PND		
2	LP7173001	1	PRINTED PANEL COVER, MFC9440CN FOR PND		
2	LS3351001	1	PRINTED PANEL COVER, MFC9450CDN FOR PND		
2	LS3492001	1	PRINTED PANEL COVER, DCP9042CDN FOR IBR [SPANISH]		
2	LS3494001	1	PRINTED PANEL COVER, DCP9042CDN FOR IBR [PORTUGUESE]		
2	LS3286001	1	PRINTED PANEL COVER, MFC9450CDN FOR IBR [SPANISH]		
2	LS3290001	1	PRINTED PANEL COVER, MFC9450CDN FOR IBR [PORTUGUESE]		
2-1	LP2621001	1	ADDRESS LABEL, MFC9440CN/MFC9450CDN		
3	087311016	5	TAPTITE CUP B M3X10		

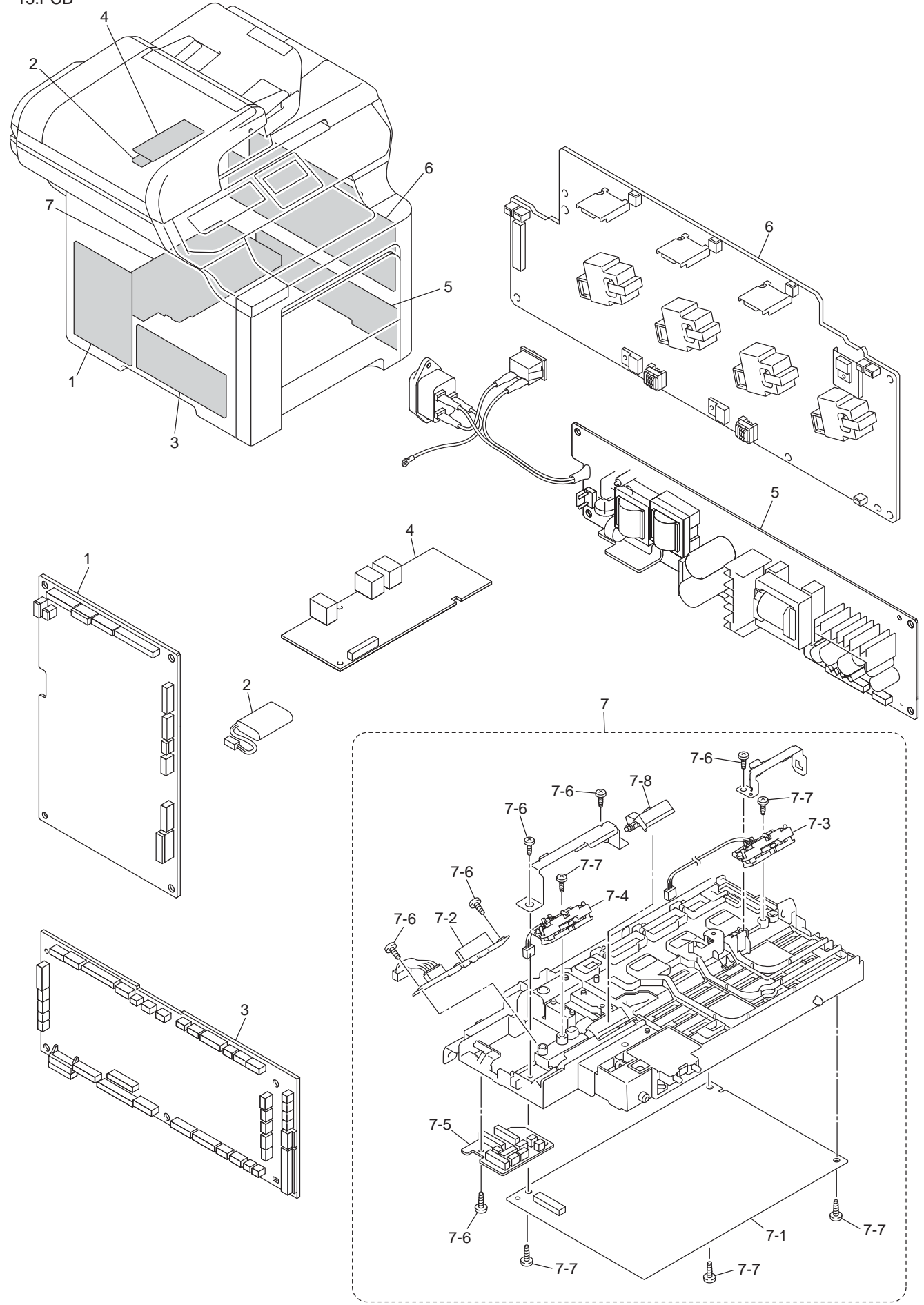
12.PANEL



13. PCB

REF No.	CODE	Q'TY	DESCRIPTION	SYMBOL	REMARKS
1	LG7156001	1	MAIN PCB ASSY, DCP9040CN/DCP9042CDN FOR US/CAN/ GER/UK/FRA/BEL/NLD/CHE/SPA/ITA/POR/CHN/ASA/RUS/ PND/IBR/EEU	B53K875	
1	LG7167001	1	MAIN PCB ASSY, MFC9440CN/MFC9450CDN FOR US/CAN	B53K875	
1	LG7167004	1	MAIN PCB ASSY, MFC9440CN/MFC9450CDN FOR GER/UK/ FRA/BEL/NLD/CHE/IRE/SPA/ITA/POR/CHN/ZAF/ASA/BRA/ RUS/ARL/NZ/PND/IBR/EEU	B53K875	
2	LG5921001	1	BATTERY ASSY		
3	LV0378001	1	ENGINE PCB ASSY	B512250	add
4	LT0867001	1	NCU PCB ASSY, MFC9440CN/MFC9450CDN FOR US	B57T013	chg
4	LT0867002	1	NCU PCB ASSY, MFC9440CN/MFC9450CDN FOR CAN	B57T013	chg
4	LG5923054	1	NCU PCB ASSY, MFC9440CN/MFC9450CDN FOR GER	B53K786	
4	LG5923065	1	NCU PCB ASSY, MFC9440CN/MFC9450CDN FOR UK/FRA/BEL/NLD/IRE/SPA/ITA/POR/RUS/PND/IBR/EEU	B53K786	
4	LG5923056	1	NCU PCB ASSY, MFC9440CN/MFC9450CDN FOR CHE	B53K786	
4	LG6872001	1	NCU PCB ASSY, MFC9440CN/MFC9450CDN FOR ZAF	B53K896	
4	LG6190005	1	NCU PCB ASSY, MFC9440CN/MFC9450CDN FOR CHN/ASA	B53K786	
4	LG6190006	1	NCU PCB ASSY, MFC9440CN FOR BRA	B53K786	
4	LG6198003	1	NCU PCB ASSY, MFC9440CN/MFC9450CDN FOR ARL/NZ	B53K786	
5	LM9246001	1	PS PCB UNIT 115V FOR US/CAN/BRA		
5	LM9287001	1	PS PCB UNIT AC 230V FOR GER/ZAF/ARL/NZ , DCP9040CN/DCP9042CDN FOR ASA		
5	LV0737001	1	PS PCB UNIT 230V FOR UK/FRA/BEL/NLD/CHE/IRE/SPA/ITA/POR/PND/IBR/EEU		add
5	LG7446001	1	PS PCB UNIT 230V, MFC9440CN/MFC9450CDN FOR ASA		
5	LG7444001	1	PS PCB UNIT 230V, MFC9440CN/MFC9450CDN FOR CHN/RUS		
5	LM9503001	1	PS PCB UNIT 230V, DCP9040CN/DCP9042CDN FOR CHN/RUS		
6	LM9506001	1	CHARGE HVPS PCB ASSY		
7	LR0902001	1	TRANSFER HVPS PCB UNIT		
7-1	LM9253001	1	TRANSFER HVPS PCB ASSY		
7-2	LM9224001	1	DENSITY SENSOR		
7-3	LM9446001	1	REGISTRATION-MARK SENSOR PCB ASSY1		
7-4	LM9448001	1	REGISTRATION-MARK SENSOR PCB ASSY2		
7-5	LM9445001	1	REGISTRATION RELAY PCB ASSY		
7-6	085310816	6	TAPTITE BIND B M3X8		
7-7	087311016	5	TAPTITE CUP B M3X10		
7-7	087311016	5	TAPTITE CUP B M3X10		
7-8	LU4445001	1	SENSOR SHUTTER BAG ASSY		ADD

13.PCB



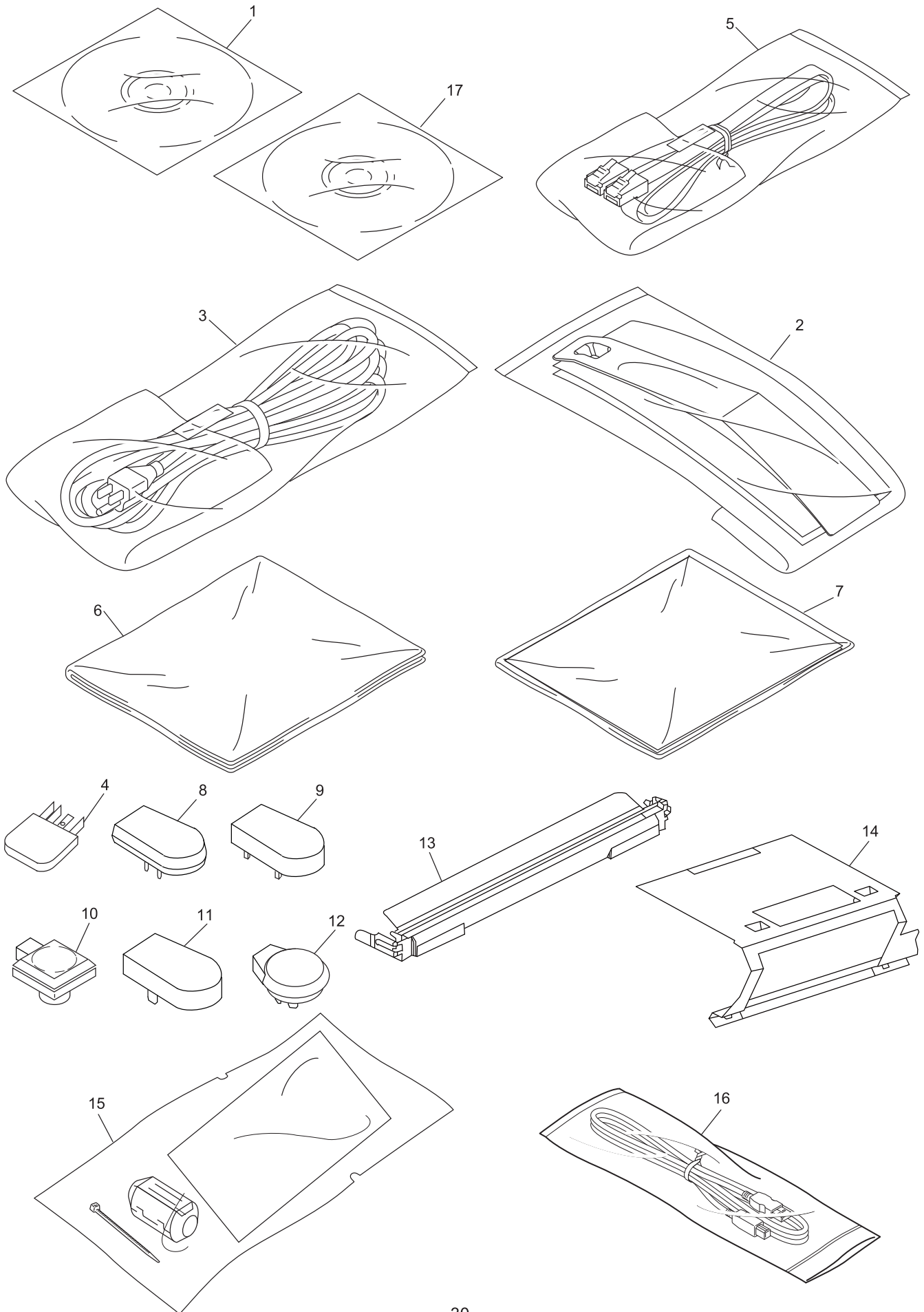
14. ACCESSORIES

REF No.	CODE	Q'TY	DESCRIPTION	REMARKS
1	LP2955001	1	CD ROM ASSY (Windows), DCP9040CN FOR US/CAN	
1	LS3036001	1	CD ROM ASSY (Windows), DCP9042CDN FOR US/CAN	
1	LP2954001	1	CD ROM ASSY (Windows), MFC9440CN FOR US/CAN	
1	LS3037001	1	CD ROM ASSY (Windows), MFC9450CDN FOR US/CAN	
4	LP2982004	4	CD ROM ASSY (Macintosh), DCP9040CN FOR US	del
1	LP2958001	1	CD ROM ASSY (Macintosh), DCP9040CN/MFC9440CN FOR US/CAN	chg
1	LS3039001	1	CD ROM ASSY (Macintosh), DCP9042CDN FOR US/CAN, MFC9450CDN FOR CAN	
1	LS3038001	1	CD ROM ASSY (Macintosh), MFC9450CDN FOR US	
1	LP7115001	1	CD ROM ASSY (Windows), DCP9040CN FOR GER/UK/CHE/ASA/EEU	
1	LS3040001	1	CD ROM ASSY (Windows), DCP9042CDN FOR GER/UK/CHE/ASA/EEU	
1	LP7018001	1	CD ROM ASSY (Windows), MFC9440CN FOR GER/UK/CHE/IRE/ ZAF/ASA/ARL/NZ/EEU	
1	LS3046001	1	CD ROM ASSY (Windows), MFC9450CDN FOR GER/UK/CHE/ZAF/ASA/ ARL/NZ/EEU	
1	LP7123001	1	CD ROM ASSY (Macintosh), DCP9040CN FOR GER/UK/FRA/BEL/NLD/CHE/ SPA/ITA/POR/ASA/RUS/PND/EEU	chg
1	LS3052001	1	CD ROM ASSY (Macintosh), DCP9042CDN FOR GER/UK/FRA/BEL/NLD/ CHE/ITA/ASA/IBR	
1	LP7026001	1	CD ROM ASSY (Macintosh), MFC9440CN FOR GER/UK/FRA/BEL/NLD/ CHE/IRE/SPA/ITA/POR/ZAF/ASA/BRA/RUS/ARL/NZ/PND/EEU	chg
1	LS3055001	1	CD ROM ASSY (Macintosh), MFC9450CDN FOR GER/UK/FRA/BEL/NLD/CHE/ ITA/ZAF/ASA/ARL/NZ/IBR	
1	LP7117001	1	CD ROM ASSY (Windows), DCP9040CN FOR FRA/BEL/NLD	
1	LS3042001	1	CD ROM ASSY (Windows), DCP9042CDN FOR FRA/BEL/NLD	
1	LP7020001	1	CD ROM ASSY (Windows), MFC9440CN FOR FRA/BEL/NLD	
1	LS3048001	1	CD ROM ASSY (Windows), MFC9450CDN FOR FRA/BEL/NLD	
1	LP7116001	1	CD ROM ASSY (Windows), DCP9040CN FOR SPA/ITA/POR	
1	LS1212001	1	CD ROM ASSY (Windows), MFC9440CN FOR SPA/ITA/POR/BRA	chg
1	LS3041001	1	CD ROM ASSY (Windows), DCP9042CDN FOR ITA/IBR	
1	LS3047001	1	CD ROM ASSY (Windows), MFC9450CDN FOR ITA/IBR	
1	LS0856001	1	CD ROM ASSY (Windows), DCP9040CN FOR CHN	
1	LS3058001	1	CD ROM ASSY (Windows), DCP9042CDN FOR CHN	
1	LS0857001	1	CD ROM ASSY (Windows), MFC9440CN FOR CHN	
1	LS3059001	1	CD ROM ASSY (Windows), MFC9450CDN FOR CHN	
1	LS0859001	1	CD ROM ASSY (Macintosh), DCP9040CN/MFC9440CN FOR CHN	
1	LS3061001	1	CD ROM ASSY (Macintosh), DCP9042CDN FOR CHN	
1	LS3060001	1	CD ROM ASSY (Macintosh), MFC9450CDN FOR CHN	
1	LP7120001	1	CD ROM ASSY (Windows), DCP9040CN FOR RUS	
1	LS3045001	1	CD ROM ASSY (Windows), DCP9042CDN FOR RUS	
1	LS3054001	1	CD ROM ASSY (Macintosh), DCP9042CDN FOR RUS/EEU	
1	LP7023001	1	CD ROM ASSY (Windows), MFC9440CN FOR RUS	
1	LS3051001	1	CD ROM ASSY (Windows), MFC9450CDN FOR RUS	
1	LS3057001	1	CD ROM ASSY (Macintosh), MFC9450CDN FOR RUS	
4	LP7026004	4	CD ROM ASSY (Macintosh), MFC9440CN FOR BRA/RUS/EEU	del
4	LP7123004	4	CD ROM ASSY (Macintosh), DCP9040CN FOR RUS/EEU	del
1	LP7118001	1	CD ROM ASSY (Windows), DCP9040CN FOR PND	
1	LS3043001	1	CD ROM ASSY (Windows), DCP9042CDN FOR PND	
1	LP7021001	1	CD ROM ASSY (Windows), MFC9440CN FOR PND	
1	LS3049001	1	CD ROM ASSY (Windows), MFC9450CDN FOR PND	
4	LP7122004	4	CD ROM ASSY (Macintosh), DCP9040CN FOR PND	del
1	LS3053001	1	CD ROM ASSY (Macintosh), DCP9042CDN FOR PND	
1	LS3056001	1	CD ROM ASSY (Macintosh), MFC9450CDN FOR PND/EEU	
1	LP7119001	1	CD ROM ASSY (Windows), DCP9040CN FOR EEU	add
1	LS3044001	1	CD ROM ASSY (Windows), DCP9042CDN FOR EEU	
1	LP7022001	1	CD ROM ASSY (Windows), MFC9440CN FOR EEU	add

14. ACCESSORIES

REF No.	CODE	Q'TY	DESCRIPTION	REMARKS
1	LS3050001	1	CD ROM ASSY (Windows), MFC9450CDN FOR EEU	
2	LP2997001	1	OUTPUT TRAY ATTACHMENT ASSY	
3	LM9362001	1	AC CORD BAG ASSY FOR US/CAN	
3	LV0364001	1	AC CORD BAG ASSY VDE S FOR GER/FRA/BEL/NLD/SPA/ITA/POR/ASA/RUS/ PND/IBR/EEU	chg
3	LV0368001	1	AC CORD BAG ASSY LF BS/PSB S FOR UK/IRE/ASA	chg
3	LT2259001	1	AC CORD BAG ASSY SEV FOR CHE	CHG
3	LV0362001	1	AC CORD BAG ASSY LF CHN S FOR CHN	chg
3	LG6404001	1	AC CORD BAG ASSY SAF FOR ZAF	
3	LV0366001	1	AC CORD BAG ASSY LF SAA S FOR ARL/NZ, DCP9040CN/DCP9042CDN FOR ASA	chg
3	LV0371001	1	AC CORD BAG ASSY LF BRZ FOR BRA	chg
3	LG4720001	1	AC CORD BAG ASSY DEMCO FOR PND	
4	LG3509001	1	TELEPHONE PLUG, MFC9440CN/MFC9450CDN FOR ARL/NZ	
5	LG3077001	1	TELEPHONE LINE CORD CSA, MFC9440CN/MFC9450CDN FOR US/CAN/ UK/FRA/BEL/NLD/IRE/SPA/POR/CHN/ZAF/ASA/BRA/ RUS/ARL/NZ/IBR/EEU	
5	UG3625001	1	TELEPHONE LINE CORD GER, MFC9440CN/MFC9450CDN FOR GER	
5	UG4205001	1	TELEPHONE LINE CORD AUS, MFC9440CN FOR GER/EEU, MFC9450CDN FOR EEU	
5	UG3626001	1	TELEPHONE LINE CORD UK6P, MFC9440CN/MFC9450CDN FOR UK/IRE	
5	UG3627001	1	TELEPHONE LINE CORD FRA, MFC9440CN/MFC9450CDN FOR FRA/BEL/NLD	
5	UG1575001	1	TELEPHONE LINE CORD BEL, MFC9440CN/MFC9450CDN FOR FRA/BEL/NLD	
5	UG3290001	1	TELEPHONE LINE CORD, MFC9440CN/MFC9450CDN FOR ARL/NZ	
5	LG7202001	1	TELEPHONE LINE CORD SWI, MFC9440CN/MFC9450CDN FOR CHE	
5	UG3634001	1	TELEPHONE LINE CORD ITA, MFC9440CN/MFC9450CDN FOR ITA	
5	LG5827001	1	TELEPHONE LINE CORD RJ45, MFC9440CN/MFC9450CDN FOR PND	
6	LR1712001	1	WASTER TONER BOX REPACKING BAG	
7	LR1892001	1	DRUM CLEANING SHEET KIT	
8	UG1573000	1	TELEPHONE PLUG BEL, MFC9440CN/MFC9450CDN FOR FRA/BEL/NLD	
9	LG3622001	1	TELEPHONE PLUG DUT, MFC9440CN/MFC9450CDN FOR FRA/BEL/NLD	
10	LG5829001	1	TELEPHONE PLUG FIN, MFC9440CN/MFC9450CDN FOR PND	
11	LG5828001	1	TELEPHONE PLUG DEN, MFC9440CN/MFC9450CDN FOR PND	
12	LG5830001	1	TELEPHONE PLUG SWE, MFC9440CN/MFC9450CDN FOR PND	
13	LR0094001	1	TONER CARTRIDGE PROTECTIVE COVER	CHG
14	LU4055001	1	DRUM UNIT REMOVE SHEET	add
15	LT0923001	1	FERRITE CORE BAG ASSY, DCP9040CN/DCP9042CDN/MFC9440CN/ MFC9450CDN FOR GER/UK/FRA/BEL/NLD/CHE/SPA/ITA/POR/CHN/ZAF/ ASA/RUS/ARL/NZ/PND/IBR/EEU	
16	LJ9803001	1	USB CABLE 2.0 FOR CHN	
17	LS3670001	1	CD ROM ASSY (Windows7), DCP9040CN/DCP9042CDN/MFC9440CN/ MFC9450CDN FOR US/CAN	add
17	LS3671001	1	CD ROM ASSY (Windows7), DCP9042CDN/MFC9450CDN FOR GER/UK/ CHE/ZAF/ASA/ARL/NZ/EEU	add
17	LS3672001	1	CD ROM ASSY (Windows7), DCP9042CDN/MFC9440CN/MFC9450CDN FOR ITA/BRA/IBR	add
17	LS3673001	1	CD ROM ASSY (Windows7), DCP9042CDN/MFC9450CDN FOR FRA/BEL/NLD	add
17	LS3677001	1	CD ROM ASSY (Windows7), DCP9040CN/DCP9042CDN/MFC9440CN/ MFC9450CDN FOR CHN	add
17	LS3676001	1	CD ROM ASSY (Windows7), DCP9042CDN/MFC9450CDN FOR RUS	add
17	LS3674001	1	CD ROM ASSY (Windows7), DCP9042CDN/MFC9450CDN FOR PND	add
17	LS3675001	1	CD ROM ASSY (Windows7), DCP9042CDN/MFC9450CDN FOR EEU	add

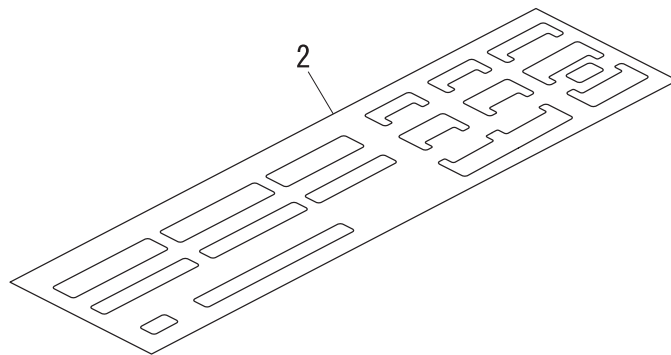
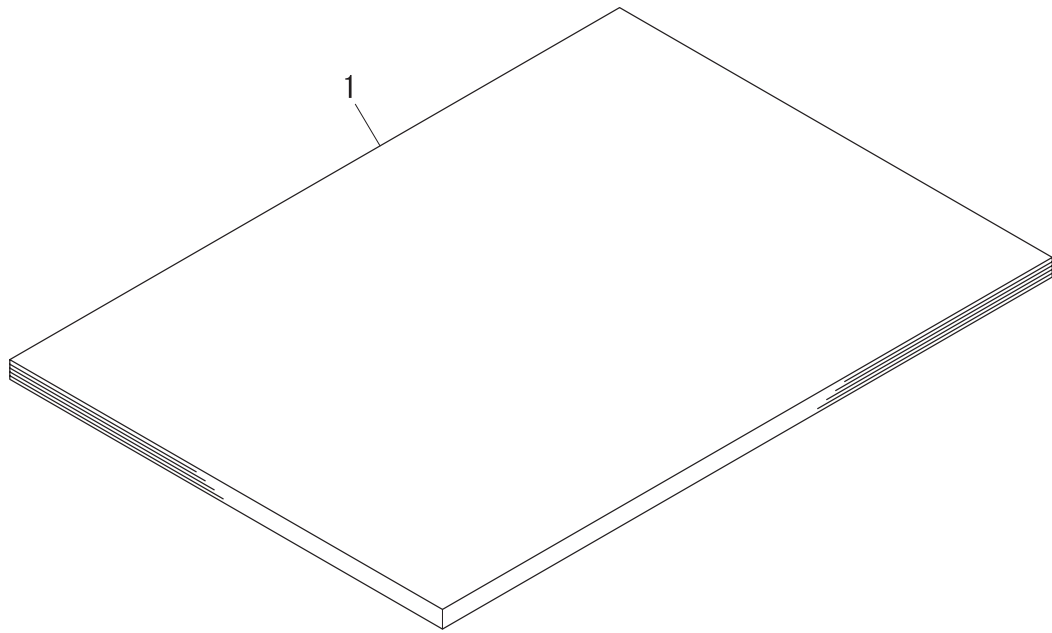
14.ACCESSORIES



15.PRINTED MATERIAL

REF No.	CODE	Q'TY	DESCRIPTION	REMARKS
1	LP2969001	1	USER'S GUIDE, DCP9040CN FOR US/CAN [ENGLISH]	
1	LS3370001	1	USER'S GUIDE, DCP9042CDN FOR US/CAN [ENGLISH]	
1	LP2984001	1	USER'S GUIDE, MFC9440CN FOR US/CAN [ENGLISH]	
1	LS3292001	1	USER'S GUIDE, MFC9450CDN FOR US/CAN [ENGLISH]	
1	LP2969002	1	USER'S GUIDE, DCP9040CN FOR CAN [FRENCH]	
1	LS3370002	1	USER'S GUIDE, DCP9042CDN FOR CAN [FRENCH]	
1	LP2984002	1	USER'S GUIDE, MFC9440CN FOR CAN [FRENCH]	
1	LS3292002	1	USER'S GUIDE, MFC9450CDN FOR CAN [FRENCH]	
1	LP7028003	1	USER'S GUIDE, MFC9440CN FOR GER/CHE [GERMAN]	
1	LS3377003	1	USER'S GUIDE, MFC9450CDN FOR GER/CHE [GERMAN]	
1	LP7028004	1	USER'S GUIDE, MFC9440CN FOR UK/IRE/ZAF [ENGLISH]	
1	LS3377004	1	USER'S GUIDE, MFC9450CDN FOR UK/ZAF [ENGLISH]	
1	LP7028005	1	USER'S GUIDE, MFC9440CN FOR FRA/BEL/NLD/CHE [FRENCH]	
1	LP7028009	1	USER'S GUIDE, MFC9440CN FOR FRA/BEL/NLD [DUTCH]	
1	LS3377005	1	USER'S GUIDE, MFC9450CDN FOR FRA/BEL/NLD/CHE [FRENCH]	
1	LS3377009	1	USER'S GUIDE, MFC9450CDN FOR FRA/BEL/NLD [DUTCH]	
1	LP7028015	1	USER'S GUIDE, MFC9440CN FOR SPA/POR [SPANISH]	
1	LP7028018	1	USER'S GUIDE, MFC9440CN FOR SPA/POR [PORTUGUESE]	
1	LP7028016	1	USER'S GUIDE, MFC9440CN FOR ITA [ITALIAN]	
1	LS3377016	1	USER'S GUIDE, MFC9450CDN FOR ITA [ITALIAN]	
1	LS0671020	1	USER'S GUIDE, DCP9040CN FOR CHN [CHINESE]	
1	LS3512020	1	USER'S GUIDE, DCP9042CDN FOR CHN [CHINESE]	
1	LP7028020	1	USER'S GUIDE, MFC9440CN FOR CHN [CHINESE]	
1	LS3377020	1	USER'S GUIDE, MFC9450CDN FOR CHN [CHINESE]	
1	LS0671040	1	USER'S GUIDE, DCP9040CN FOR ASA [ENGLISH]	
1	LS3512040	1	USER'S GUIDE, DCP9042CDN FOR ASA [ENGLISH]	
1	LP7028040	1	USER'S GUIDE, MFC9440CN FOR ASA/ARL/NZ [ENGLISH]	
1	LS3377040	1	USER'S GUIDE, MFC9450CDN FOR ASA/ARL/NZ [ENGLISH]	
1	LP7028042	1	USER'S GUIDE, MFC9440CN FOR BRA	
1	LP7028048	1	USER'S GUIDE, MFC9440CN FOR RUS [RUSSIAN]	
1	LS3377048	1	USER'S GUIDE, MFC9450CDN FOR RUS [RUSSIAN]	
1	LP7177007	1	USER'S GUIDE, MFC9440CN FOR PND [NORWEGIAN, SWEDISH]	
1	LP7178013	1	USER'S GUIDE, MFC9440CN FOR PND [DANISH, FINNISH]	
1	LS3471007	1	USER'S GUIDE, MFC9450CDN FOR PND [NORWEGIAN, SWEDISH]	
1	LS3471013	1	USER'S GUIDE, MFC9450CDN FOR PND [DANISH, FINNISH]	
1	LS3377015	1	USER'S GUIDE, MFC9450CDN FOR IBR [SPANISH]	
1	LS3377018	1	USER'S GUIDE, MFC9450CDN FOR IBR [PORTUGUESE]	
2	LP7111001	1	FRENCH SHEET, DCP9040CN/DCP9042CDN FOR CAN	
2	LP2996001	1	FRENCH SHEET, MFC9440CN/MFC9450CDN FOR CAN	

15.PRINTED MATERIAL



16. PACKING MATERIALS

REF No.	CODE	Q'TY	DESCRIPTION	REMARKS
1	LP2891001	1	CARTON BOTTOM	
2	LP2973001	1	CARTON BROTHER, DCP9040CN FOR US	
2	LS3165001	1	CARTON BROTHER, DCP9042CDN FOR US	
2	LP2985001	1	CARTON BROTHER, MFC9440CN FOR US/BRA	
2	LS3152001	1	CARTON BROTHER, MFC9450CDN FOR US	
2	LS0896001	1	CARTON BROTHER, DCP9040CN FOR CAN	
2	LS3171001	1	CARTON BROTHER, DCP9042CDN FOR CAN	
2	LP7063001	1	CARTON BROTHER, MFC9440CN FOR CAN	
2	LS3160001	1	CARTON BROTHER, MFC9450CDN FOR CAN	
2	LP7125001	1	CARTON BROTHER, DCP9040CN FOR GER/UK/FRA/BEL/NLD/CHE/ITA/SPA/ POR/RUS/PND/EEU	
2	LS3296001	1	CARTON BROTHER, DCP9042CDN FOR GER/UK/FRA/BEL/NLD/CHE/ITA/RUS/ PND/IBR/EEU	
2	LP7029001	1	CARTON BROTHER, MFC9440CN FOR GER/UK/FRA/BEL/NLD/CHE/IRE/SPA/ ITA/POR/ZAF/RUS/PND/EEU	
2	LS3263001	1	CARTON BROTHER, MFC9450CDN FOR GER/UK/FRA/BEL/NLD/CHE/ITA/RUS/ PND/IBR/EEU	chg
2	LS0853001	1	CARTON BROTHER, DCP9040CN FOR CHN	
2	LS3403001	1	CARTON BROTHER, DCP9042CDN FOR CHN	
2	LS0854001	1	CARTON BROTHER, MFC9440CN FOR CHN	
2	LS3414001	1	CARTON BROTHER, MFC9450CDN FOR CHN	
2	LS3567001	1	CARTON BROTHER, MFC9450CDN FOR ZAF	add
2	LS0680001	1	CARTON BROTHER, DCP9040CN FOR ASA	
2	LS3405001	1	CARTON BROTHER, DCP9042CDN FOR ASA	CHG
2	LP7169001	1	CARTON BROTHER, MFC9440CN FOR ASA/ARL/NZ	
2	LS3364001	1	CARTON BROTHER, MFC9450CDN FOR ASA/ARL/NZ	CHG
3	LS3213001	1	PAD ASSY	chg
4	LP2897001	1	OPTION CARTON	
5	LP2898001	1	OPTION PAD L	
6	LP2899001	1	OPTION PAD R	
7	LP2900001	1	CARTON CORD BOX	
8	LP7093001	1	CARTON PAD	
9	LS1177001	4	CARTON JOINT	chg
10	UE1688001	1	PE BAG 1000X1000H	
11	LR1705001	4	TONER REPACKING BAG	
12	LP2976001	1	QUICK SETUP GUIDE, DCP9040CN FOR US/CAN [ENGLISH]	
12	LS3371001	1	QUICK SETUP GUIDE, DCP9042CDN FOR US/CAN [ENGLISH]	
12	LP2988001	1	QUICK SETUP GUIDE, MFC9440CN FOR US/CAN [ENGLISH]	
12	LS3293001	1	QUICK SETUP GUIDE, MFC9450CDN FOR US/CAN [ENGLISH]	
12	LP2976002	1	QUICK SETUP GUIDE, DCP9040CN FOR CAN [FRENCH]	
12	LS3371002	1	QUICK SETUP GUIDE, DCP9042CDN FOR CAN [FRENCH]	
12	LP2988002	1	QUICK SETUP GUIDE, MFC9440CN FOR CAN [FRENCH]	
12	LS3293002	1	QUICK SETUP GUIDE, MFC9450CDN FOR CAN [FRENCH]	
12	LP7129003	1	QUICK SETUP GUIDE, DCP9040CN FOR GER/CHE/EEU [GERMAN]	
12	LS3474003	1	QUICK SETUP GUIDE, DCP9042CDN FOR GER/CHE/EEU [GERMAN]	
12	LP7037003	1	QUICK SETUP GUIDE, MFC9440CN FOR GER/CHE/EEU [GERMAN]	
12	LS3378003	1	QUICK SETUP GUIDE, MFC9450CDN FOR GER/CHE/EEU [GERMAN]	
12	LP7129004	1	QUICK SETUP GUIDE, DCP9040CN FOR UK [ENGLISH]	
12	LS3474004	1	QUICK SETUP GUIDE, DCP9042CDN FOR UK [ENGLISH]	
12	LP7037004	1	QUICK SETUP GUIDE, MFC9440CN FOR UK/IRE/ZAF [ENGLISH]	
12	LS3378004	1	QUICK SETUP GUIDE, MFC9450CDN FOR UK/ZAF [ENGLISH]	
12	LP7129005	1	QUICK SETUP GUIDE, DCP9040CN FOR FRA/BEL/NLD/CHE [FRENCH]	
12	LS3474005	1	QUICK SETUP GUIDE, DCP9042CDN FOR FRA/BEL/NLD/CHE [FRENCH]	
12	LP7037005	1	QUICK SETUP GUIDE, MFC9440CN FOR FRA/BEL/NLD/CHE [FRENCH]	
12	LS3378005	1	QUICK SETUP GUIDE, MFC9450CDN FOR FRA/BEL/NLD/CHE [FRENCH]	
12	LP7129009	1	QUICK SETUP GUIDE, DCP9040CN FOR FRA/BEL/NLD [DUTCH]	
12	LS3474009	1	QUICK SETUP GUIDE, DCP9042CDN FOR FRA/BEL/NLD [DUTCH]	

8CE103/8CE104/8CE113/8CE114/
8CE133/8CE134/8CE143/8CE144

DCP9040CN/DCP9042CDN/
MFC9440CN/MFC9450CDN

16. PACKING MATERIALS

REF No.	CODE	Q'TY	DESCRIPTION	REMARKS
12	LP7037009	1	QUICK SETUP GUIDE, MFC9440CN FOR FRA/BEL/NLD [DUTCH]	
12	LS3378009	1	QUICK SETUP GUIDE, MFC9450CDN FOR FRA/BEL/NLD [DUTCH]	
12	LP7129015	1	QUICK SETUP GUIDE, DCP9040CN FOR SPA/POR [SPANISH]	
12	LP7037015	1	QUICK SETUP GUIDE, MFC9440CN FOR SPA/POR [SPANISH]	
12	LP7129018	1	QUICK SETUP GUIDE, DCP9040CN FOR SPA/POR [PORTUGUESE]	
12	LP7037018	1	QUICK SETUP GUIDE, MFC9440CN FOR SPA/POR [PORTUGUESE]	
12	LP7129016	1	QUICK SETUP GUIDE, DCP9040CN FOR ITA [ITALIAN]	
12	LS3474016	1	QUICK SETUP GUIDE, DCP9042CDN FOR ITA [ITALIAN]	
12	LP7037016	1	QUICK SETUP GUIDE, MFC9440CN FOR ITA [ITALIAN]	
12	LS3378016	1	QUICK SETUP GUIDE, MFC9450CDN FOR ITA [ITALIAN]	
12	LP7129020	1	QUICK SETUP GUIDE, DCP9040CN FOR CHN [CHINESE]	
12	LS3474020	1	QUICK SETUP GUIDE, DCP9042CDN FOR CHN [CHINESE]	
12	LP7037020	1	QUICK SETUP GUIDE, MFC9440CN FOR CHN [CHINESE]	
12	LS3378020	1	QUICK SETUP GUIDE, MFC9450CDN FOR CHN [CHINESE]	
12	LP7129040	1	QUICK SETUP GUIDE, DCP9040CN FOR ASA [ENGLISH]	
12	LS3474040	1	QUICK SETUP GUIDE, DCP9042CDN FOR ASA [ENGLISH]	
12	LP7037040	1	QUICK SETUP GUIDE, MFC9440CN FOR ASA/ARL/NZ [ENGLISH]	
12	LS3378040	1	QUICK SETUP GUIDE, MFC9450CDN FOR ASA/ARL/NZ [ENGLISH]	
12	LP7037042	1	QUICK SETUP GUIDE, MFC9440CN FOR BRA	
12	LP7129048	1	QUICK SETUP GUIDE, DCP9040CN FOR RUS [RUSSIAN]	
12	LS3474048	1	QUICK SETUP GUIDE, DCP9042CDN FOR RUS [RUSSIAN]	
12	LP7037048	1	QUICK SETUP GUIDE, MFC9440CN FOR RUS [RUSSIAN]	
12	LS3378048	1	QUICK SETUP GUIDE, MFC9450CDN FOR RUS [RUSSIAN]	
12	LP7129007	1	QUICK SETUP GUIDE, DCP9040CN FOR PND [NORWEGIAN]	
12	LS3474007	1	QUICK SETUP GUIDE, DCP9042CDN FOR PND [NORWEGIAN]	
12	LP7037007	1	QUICK SETUP GUIDE, MFC9440CN FOR PND [NORWEGIAN]	
12	LS3378007	1	QUICK SETUP GUIDE, MFC9450CDN FOR PND [NORWEGIAN]	
12	LP7129012	1	QUICK SETUP GUIDE, DCP9040CN FOR PND [FINNISH]	
12	LS3474012	1	QUICK SETUP GUIDE, DCP9042CDN FOR PND [FINNISH]	
12	LP7037012	1	QUICK SETUP GUIDE, MFC9440CN FOR PND [FINNISH]	
12	LS3378012	1	QUICK SETUP GUIDE, MFC9450CDN FOR PND [FINNISH]	
12	LP7129013	1	QUICK SETUP GUIDE, DCP9040CN FOR PND [DANISH]	
12	LS3474013	1	QUICK SETUP GUIDE, DCP9042CDN FOR PND [DANISH]	
12	LP7037013	1	QUICK SETUP GUIDE, MFC9440CN FOR PND [DANISH]	
12	LS3378013	1	QUICK SETUP GUIDE, MFC9450CDN FOR PND [DANISH]	
12	LP7129026	1	QUICK SETUP GUIDE, DCP9040CN FOR PND [SWEDISH]	
12	LS3474026	1	QUICK SETUP GUIDE, DCP9042CDN FOR PND [SWEDISH]	
12	LP7037026	1	QUICK SETUP GUIDE, MFC9440CN FOR PND [SWEDISH]	
12	LS3378026	1	QUICK SETUP GUIDE, MFC9450CDN FOR PND [SWEDISH]	
12	LS3474015	1	QUICK SETUP GUIDE, DCP9042CDN FOR IBR [SPANISH]	
12	LS3474018	1	QUICK SETUP GUIDE, DCP9042CDN FOR IBR [PORTUGUESE]	
12	LS3378015	1	QUICK SETUP GUIDE, MFC9450CDN FOR IBR [SPANISH]	
12	LS3378018	1	QUICK SETUP GUIDE, MFC9450CDN FOR IBR [PORTUGUESE]	
12	LP7129039	1	QUICK SETUP GUIDE, DCP9040CN FOR EEU [ENGLISH/ROMANIAN/ BULGARIAN/SLOVAK]	add
12	LP7129037	1	QUICK SETUP GUIDE, DCP9040CN FOR EEU [CZECH/HUNGARIAN/POLISH]	add
12	LS3474039	1	QUICK SETUP GUIDE, DCP9042CDN FOR EEU [ENGLISH/ROMANIAN/ BULGARIAN/SLOVAK]	
12	LS3474037	1	QUICK SETUP GUIDE, DCP9042CDN FOR EEU [CZECH/HUNGARIAN/POLISH]	
12	LP7037039	1	QUICK SETUP GUIDE, MFC9440CN FOR EEU [ENGLISH/ROMANIAN/ BULGARIAN/SLOVAK]	add
12	LS3378039	1	QUICK SETUP GUIDE, MFC9450CDN FOR EEU [ENGLISH/ROMANIAN/ BULGARIAN/SLOVAK]	
12	LP7037037	1	QUICK SETUP GUIDE, MFC9440CN FOR EEU [CZECH/HUNGARIAN/POLISH]	add
12	LS3378037	1	QUICK SETUP GUIDE, MFC9450CDN FOR EEU [CZECH/HUNGARIAN/ POLISH]	

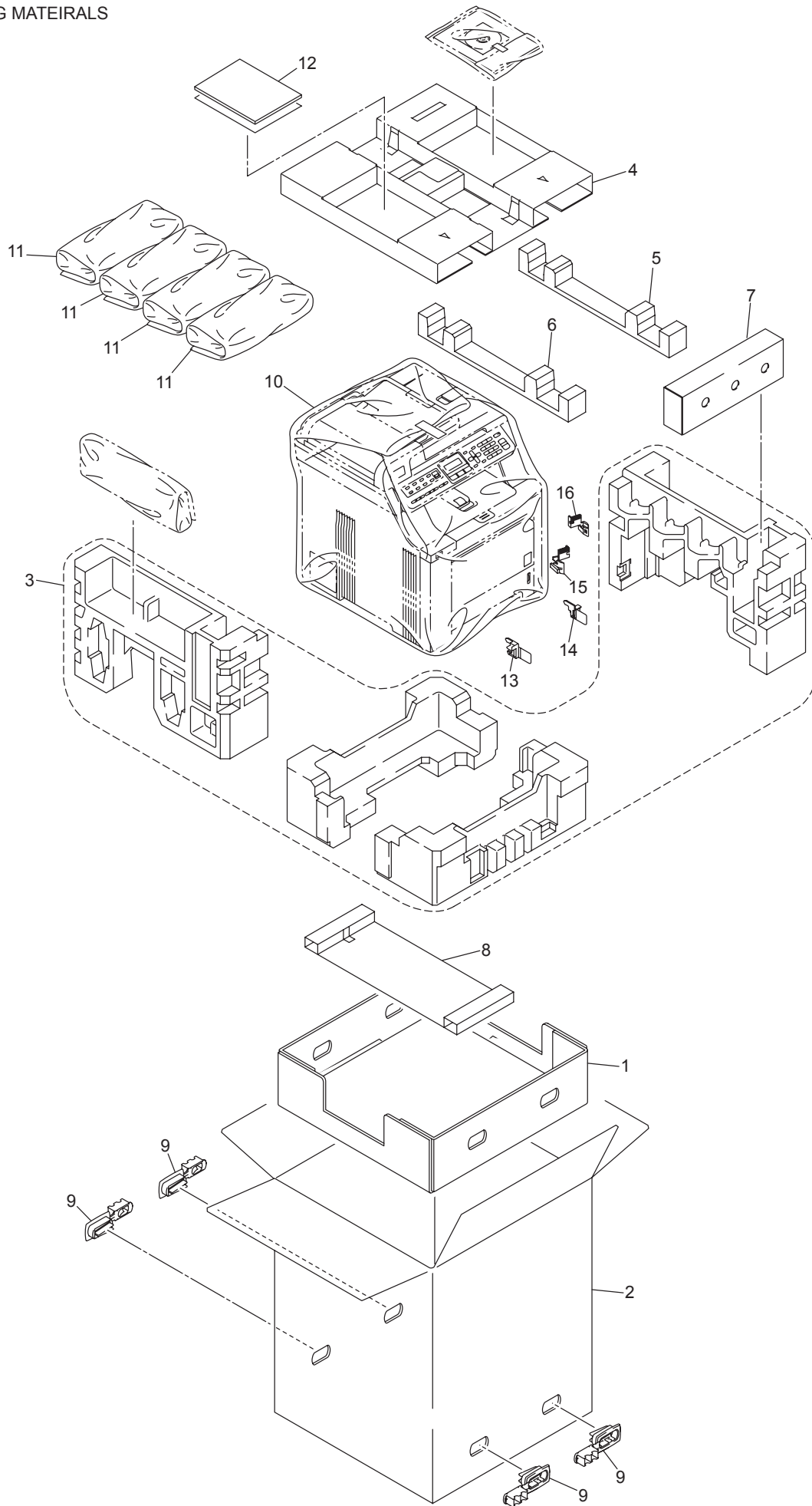
8CE103/8CE104/8CE113/8CE114/
8CE133/8CE134/8CE143/8CE144

DCP9040CN/DCP9042CDN/
MFC9440CN/MFC9450CDN

16. PACKING MATERIALS

REF No.	CODE	Q'TY	DESCRIPTION	REMARKS
13	LU4075001	1	BELT LOCK L ASSY	chg
14	LU4076001	1	BELT LOCK R ASSY	chg
15	LR1332001	1	DRUM STOPPER L	
16	LR1333001	1	DRUM STOPPER R	

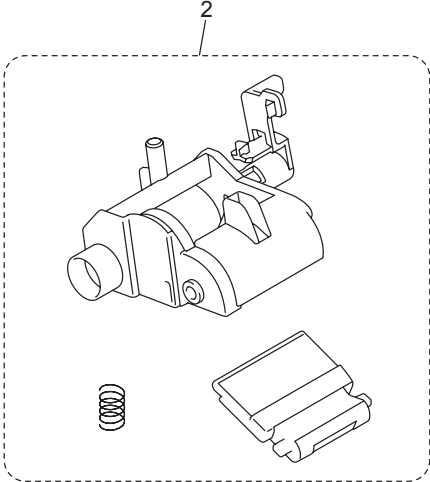
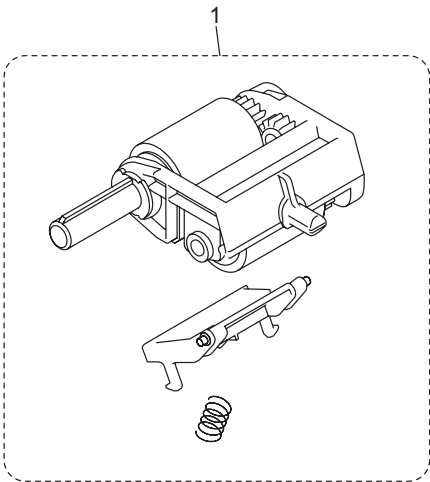
16. PACKING MATERIALS



17. PERIODICAL MAINTENANCE PART

REF No.	CODE	Q'TY	DESCRIPTION	REMARKS
1	LR1919001	1	PAPER FEED KIT	
2	LR1920001	1	MP PAPER FEED KIT	

17.PERIODICAL MAINTENANCE PART



18.DX

REF No.	CODE	QTY	DESCRIPTION	REMARKS
1	LR0228001	1	DX FEED ASSY, DCP9042CDN/MFC9450CDN	

