

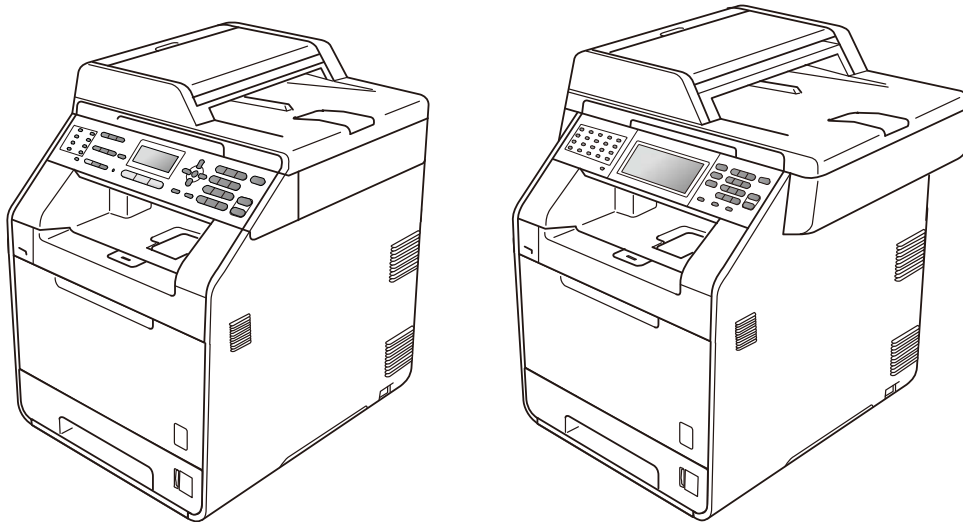


# FAX/MFC PARTS REFERENCE LIST

---

---

**MODEL:**  
**DCP-9055CDN / DCP-9270CDN**  
**MFC-9460CDN / MFC-9465CDN**  
**MFC-9560CDW / MFC-9970CDW**



Read this list thoroughly before maintenance work.

Keep this list in a convenient place for quick and easy reference at all times.

# NOTE FOR USING THIS PARTS REFERENCE LIST

1. In the case of ordering parts, it is necessary to mention the following items;

- (1) Code
- (2) Q'ty
- (3) Description
- (4) Symbol ( PCB No. etc )

Note: Orders without Parts Code or Tool No. can not be accepted.

< Example >

REF.NO.	(1) CODE	(2) Q'TY	(3) DESCRIPTION	(4) SYMBOL	REMARK

2. Design-changed parts :

If any of the parts is changed, one of the following symbols is indicated in the REMARK column.

CHG(chg) : The parts is changed to a new parts.

ADD(add) : The parts is newly added.

DEL(del) : The parts is deleted.

Symbol in capital letters indicates the latest parts change information in the page.

3. Parts change will be informed by the Parts change information.

4. Parts are subject to change in design without prior notice.

## COUNTRIES

ARGENTINA ----- ARG

ASIA ----- ASA

AUSTRALIA ----- ARL

BELGIUM ----- BEL

BRAZIL ----- BRA

CANADA ----- CAN

CEE GENERAL ----- CEE

CHILE ----- CHL

CHINA ----- CHN

FRANCE ----- FRA

GERMANY ----- GER

GULF ----- GUL

HONG KONG -----HK

IBERIA ----- IBR (SPAIN & PORTUGAL)

ITALY ----- ITA

KOREA ----- KOR

NETHERLANDS ----- NLD

NEW ZEALAND ----- NZ

PAN-NORDIC ----- PND

(NORWAY/FINLAND/DENMARK/SWEDEN)

RUSSIA ----- RUS

SWITZERLAND ----- CHE

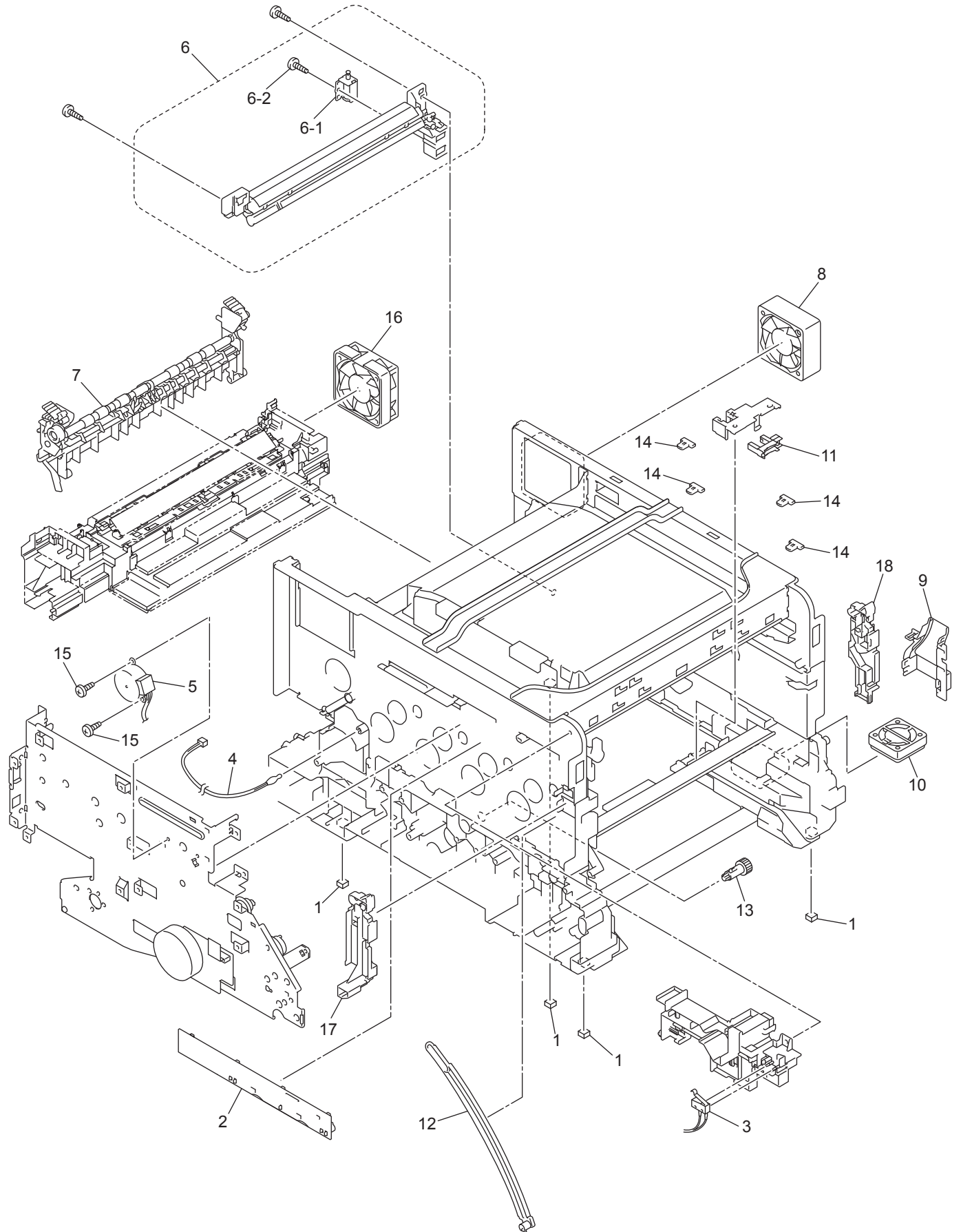
UNITED KINGDOM ----- U.K.

U.S.A. -----US

# CONTENTS

1.	<u>FRAME</u> .....	1
2.	<u>DRIVE</u> .....	3
3.	<u>LASER UNIT</u> .....	5
4.	<u>PAPER FEEDER</u> .....	7
5.	<u>MP UNIT</u> .....	9
6.	<u>DX</u> .....	11
7.	<u>PAPER TRAY</u> .....	13
8.	<u>FUSER UNIT</u> .....	15
9.	<u>PAPER EJECT</u> .....	17
10.	<u>COVERS &amp; LABELS</u> .....	19
11.	<u>DOCUMENT SCANNER</u> .....	21
12.	<u>ADF</u> .....	23
13.	<u>PANEL</u> .....	26
14.	<u>PCB</u> .....	29
15.	<u>ACCESSORIES</u> .....	31
16.	<u>PRINTED MATERIALS</u> .....	33
17.	<u>PACKING MATERIALS</u> .....	35
18.	<u>PERIODICAL MAINTENANCE PARTS</u> .....	38

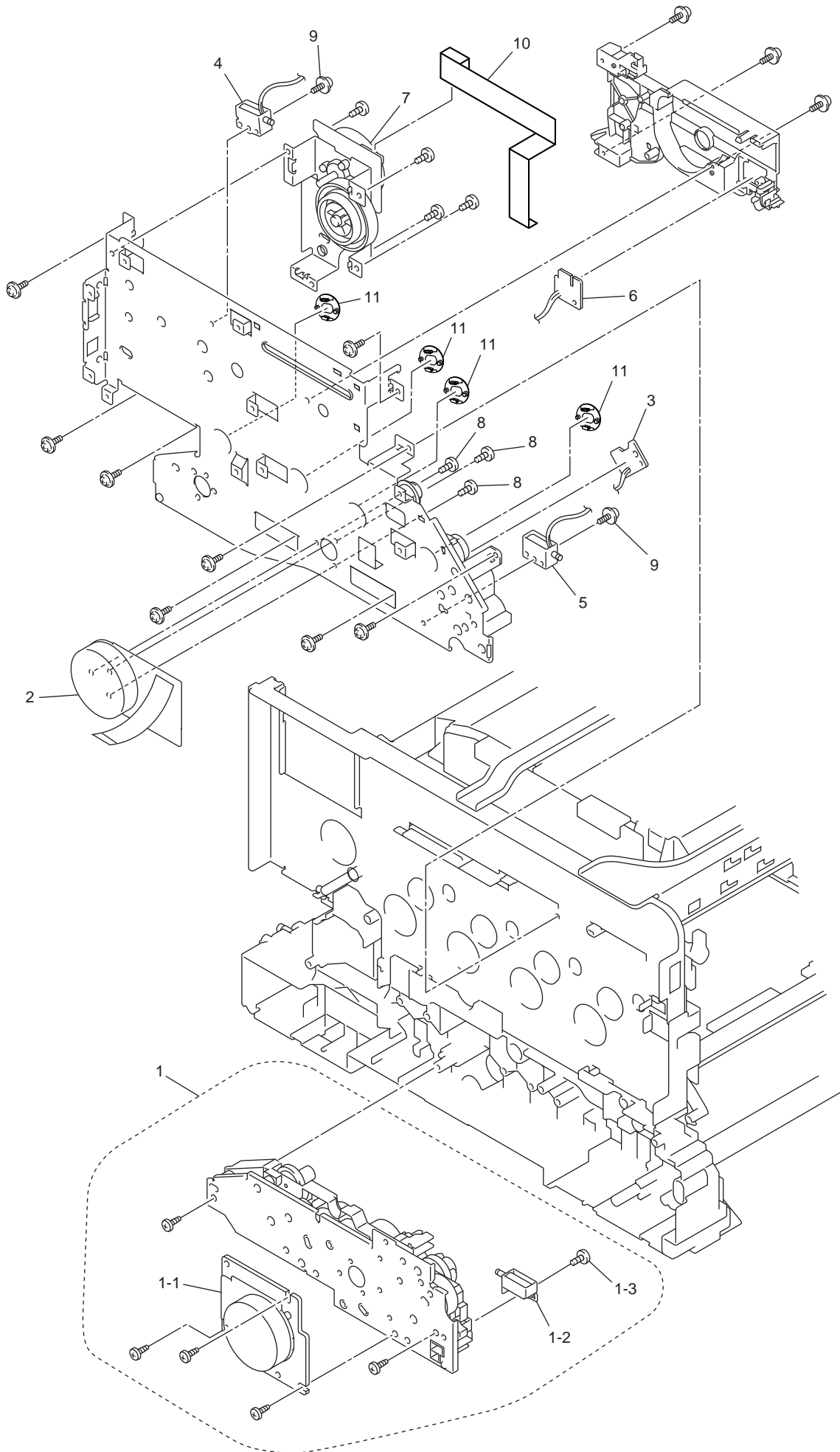
# 1.FRAME



1. FRAME

REF No.	CODE	Q'TY	DESCRIPTION	REMARKS
1	LR1352001	4	RUBBER FOOT	
2	LY0061001	1	TONER/NEW SENSOR PCB UNIT	
3	LV0470001	1	FRONT COVER SENSOR	
4	LV0472001	1	INTERNAL TEMPERATURE THERMISTOR	
5	LY0722001	1	DEVELOP RELEASE MOTOR	
6	LY0070001	1	REGISTRATION MARK SENSOR HOLDER ASSY	
6-1	LY0077001	1	SHUTTER SOLENOID	
6-2	LU5694001	1	TAPTITE BIND B M3X10	
7	LY0080001	1	FUSER COVER	
8	LY0095001	1	FUSER FAN	
9	LY0099001	1	AIR DUCT COVER	
10	LY0100001	1	BLOWER	
11	LM9221001	1	WASTE TONER SENSOR	
12	LY0115001	1	FORCED DEVELOP RELEASE LINK	
13	LY0050001	1	CLEANER DRIVE GEAR 15	
14	LU6330001	4	SPACER	
15	085320616	2	TAPTITE BIND S M3X6	
16	LY0630001	1	POWER FAN	
17	LY0112001	1	DRUM LOCK L	ADD
18	LY0114001	1	DRUM LOCK R	ADD

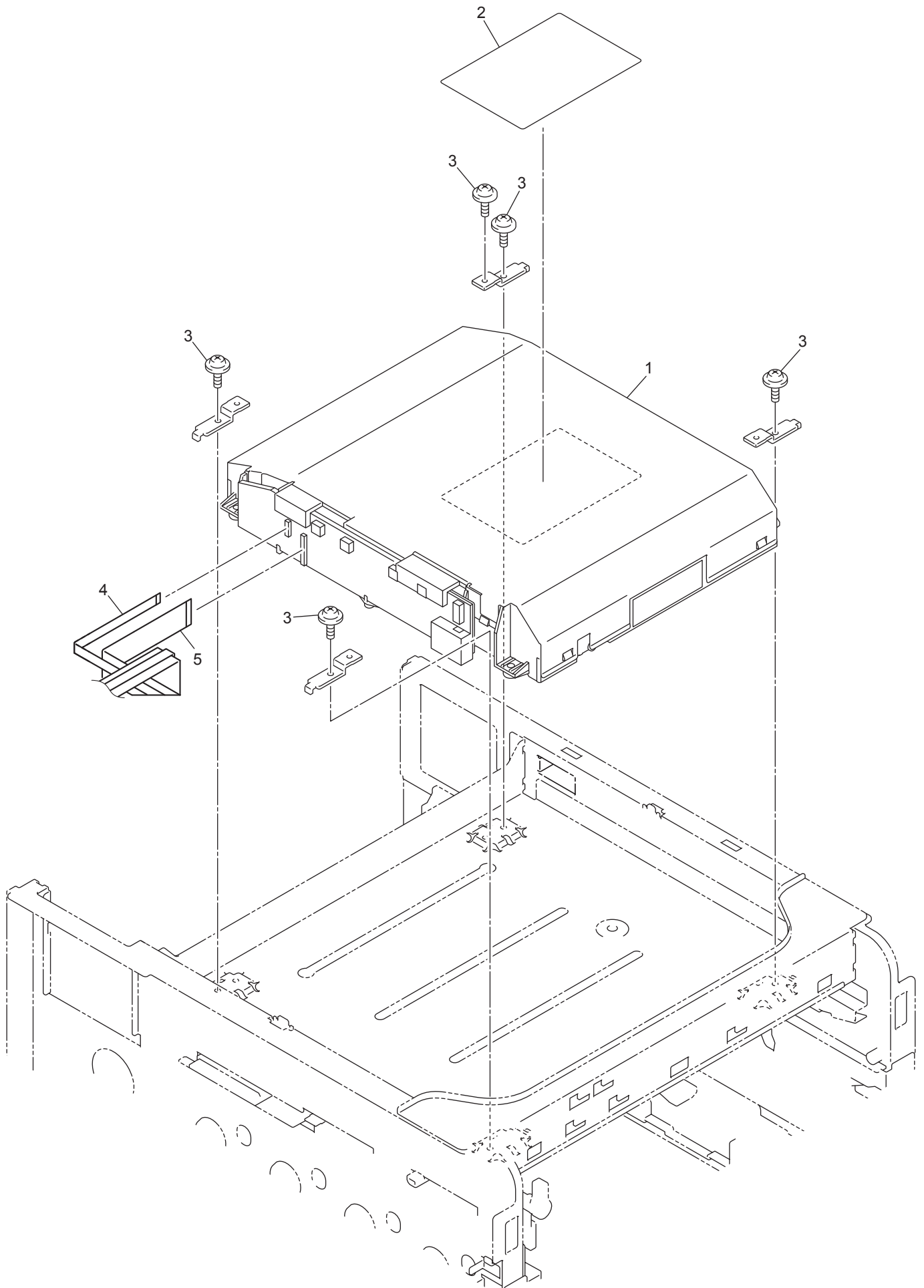
## 2.DRIVE



2. DRIVE

REF No.	CODE	Q'TY	DESCRIPTION	REMARKS
1	LY0116001	1	PF CLN DRIVE ASSY	ADD
1-1	LY0117001	1	PF PLATE ASSY	
1-2	LY0133001	1	T1 SOLENOID ASSY	
1-3	085310816	1	TAPTITE BIND B M3X8	
2	LY0723001	1	DRUM DRIVE MOTOR	
3	LV0488001	1	DRUM POSITION SENSOR PCB ASSY	
4	LY0208001	1	MONO SOLENOID ASSY	
5	LY0221001	1	REGISTRATION SOLENOID ASSY	
6	LV0489001	1	DEVELOP RELEASE SENSOR PCB ASSY	
7	LY0227001	1	FUSER DEVELOP MOTOR ASSY	
8	000300416	3	SCREW BIND M3X4	
9	LU5691001	2	TAPTITE CUP S M3X6 SR	
10	LV0471001	1	FUSER DEVELOP MOTOR FLAT CABLE	add
11	LY0205001	4	DRM JOINT A	add

### 3.LASER UNIT

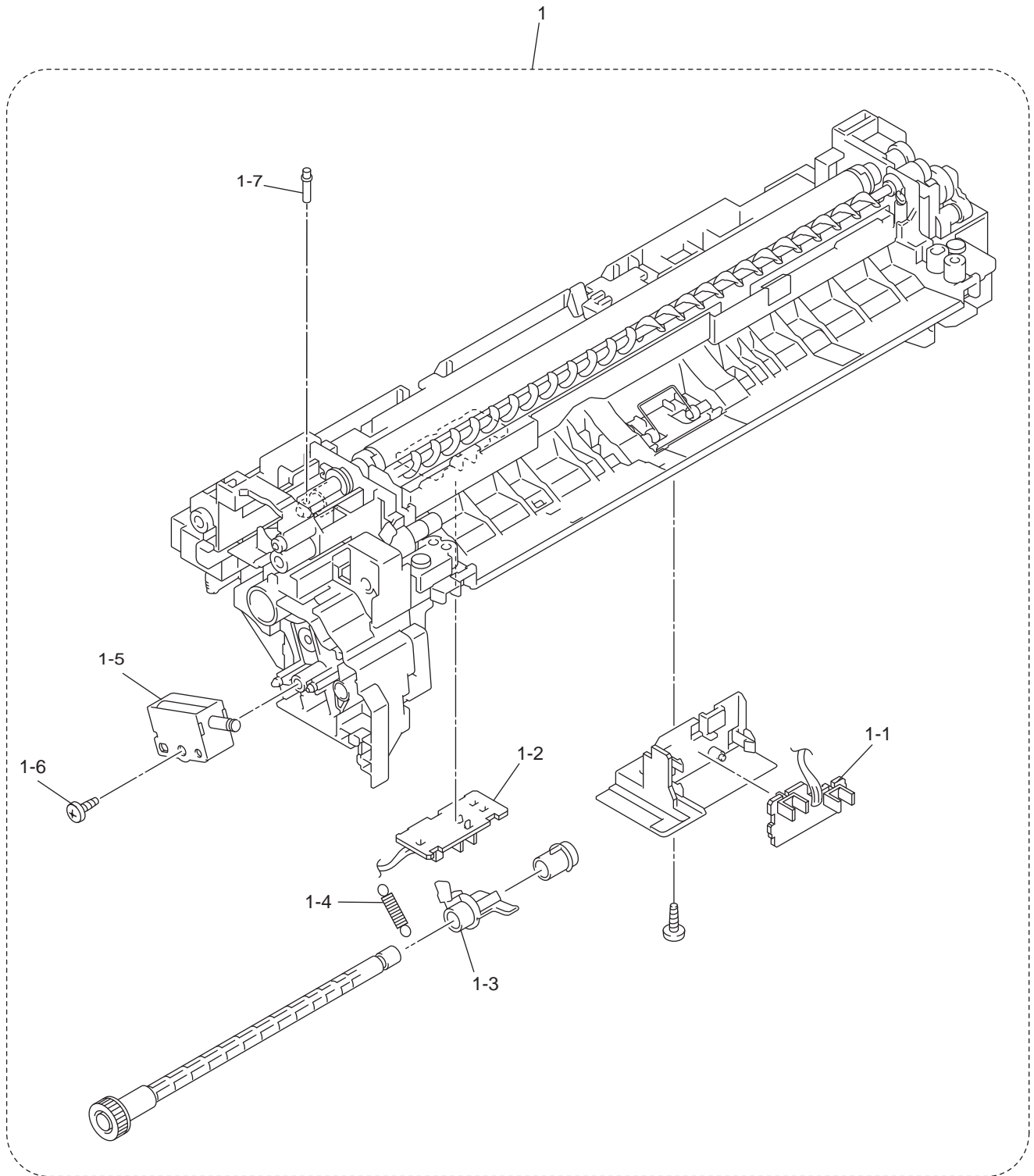




### 3. LASER UNIT

REF No.	CODE	Q'TY	DESCRIPTION	REMARKS
1	LY0737001	1	LASER UNIT (SP)	
2	LU1259001	1	LABEL LASER CAUTION 75X100	
3	LU5691001	5	TAPTITE CUP S M3X6 SR	
4	LV0461001	1	LASER UNIT-ENGINE FLAT CABLE	ADD
5	LV0462001	1	LASER UNIT-MAIN FLAT CABLE	ADD

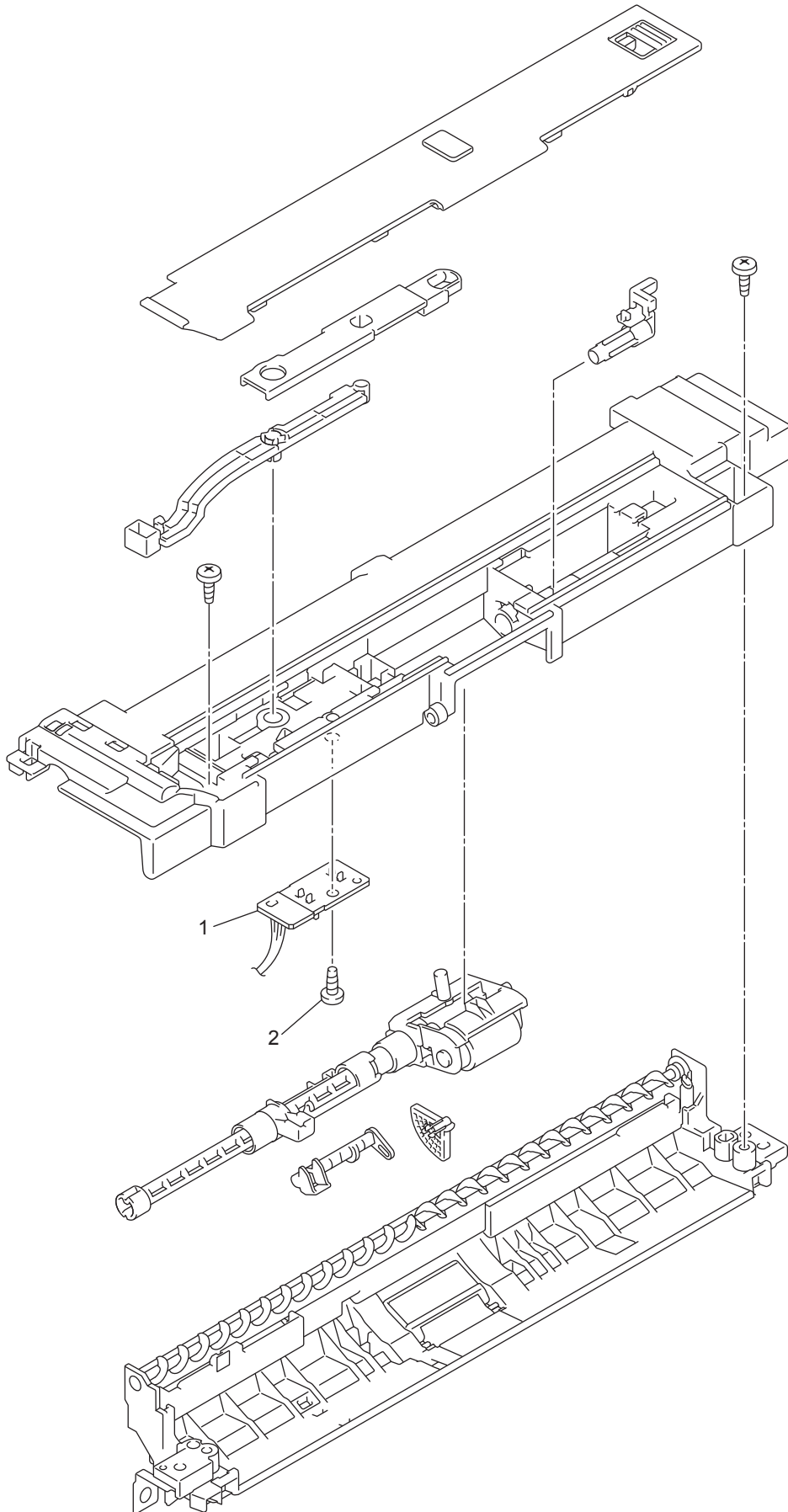
#### 4.PAPER FEEDER



4. PAPER FEEDER

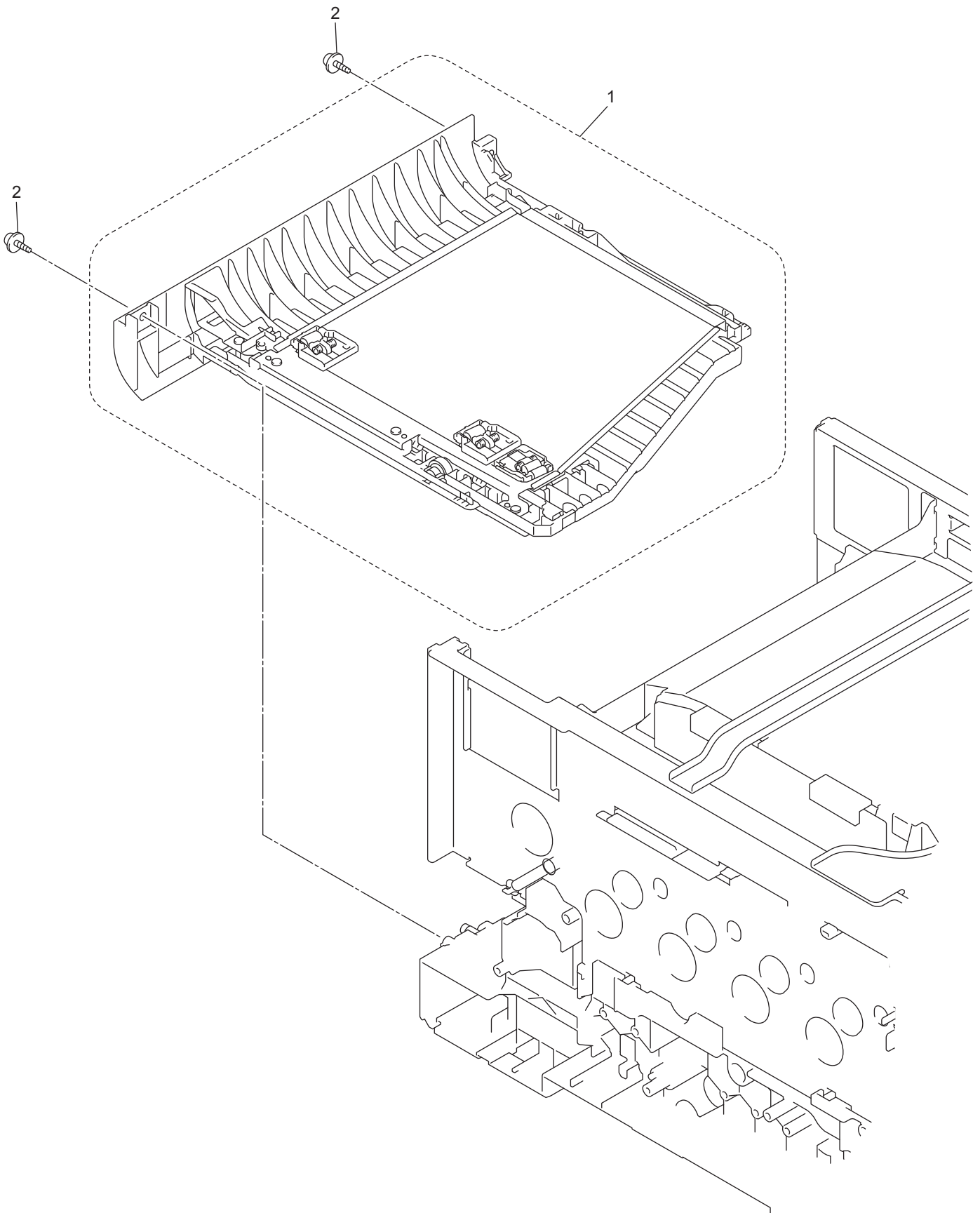
REF No.	CODE	Q'TY	DESCRIPTION	REMARKS
1	LR2173001	1	PF ASSY(SP)	CHG
1-1	LV0491001	1	T1 REGISTRATION FRONT/REAR SENSOR PCB ASSY	
1-2	LV0494001	1	T1 PAPER EDGE SENSOR PCB ASSY	
1-3	LY0248001	1	T1 PAPER EDGE ACTUATOR	
1-4	LR0914001	1	T1 PAPER EDGE ACTUATOR SPRING	
1-5	LY0294001	1	MP SECTOR SOLENOID	
1-6	085310816	1	TAPTITE BIND B M3X8	
1-7	LR0762001	1	JOINT PIN	ADD

5.MP UNIT



5. MP UNIT

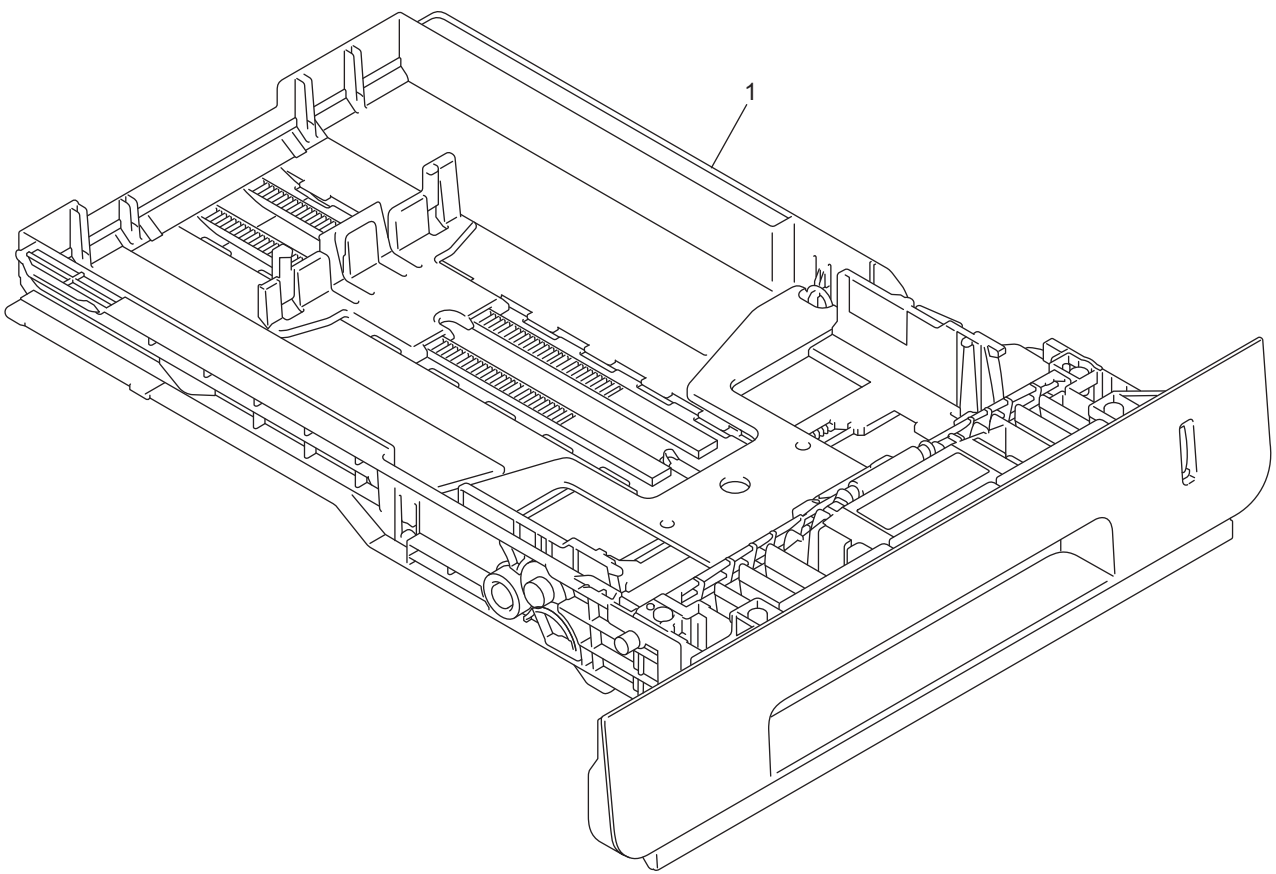
REF No.	CODE	Q'TY	DESCRIPTION	REMARKS
1	LV0500001	1	MP PAPER EMPTY/REGISTRATION FRONT SENSOR PCB ASSY	
2	085310816	1	TAPTITE BIND B M3X8	



6. DX

REF No.	CODE	Q'TY	DESCRIPTION	REMARKS
1	LY1666001	1	DUPLEX FEED ASSY LTR(SP) FOR US/CAN/BRA/ARG/CHL	CHG
1	LY1626001	1	DUPLEX FEED ASSY A4(SP) EXCEPT FOR US/CAN/BRA/ARG/CHL	CHG
2	LY1163001	2	TAPTITE CUP B M3X12	

## 7.PAPER TRAY





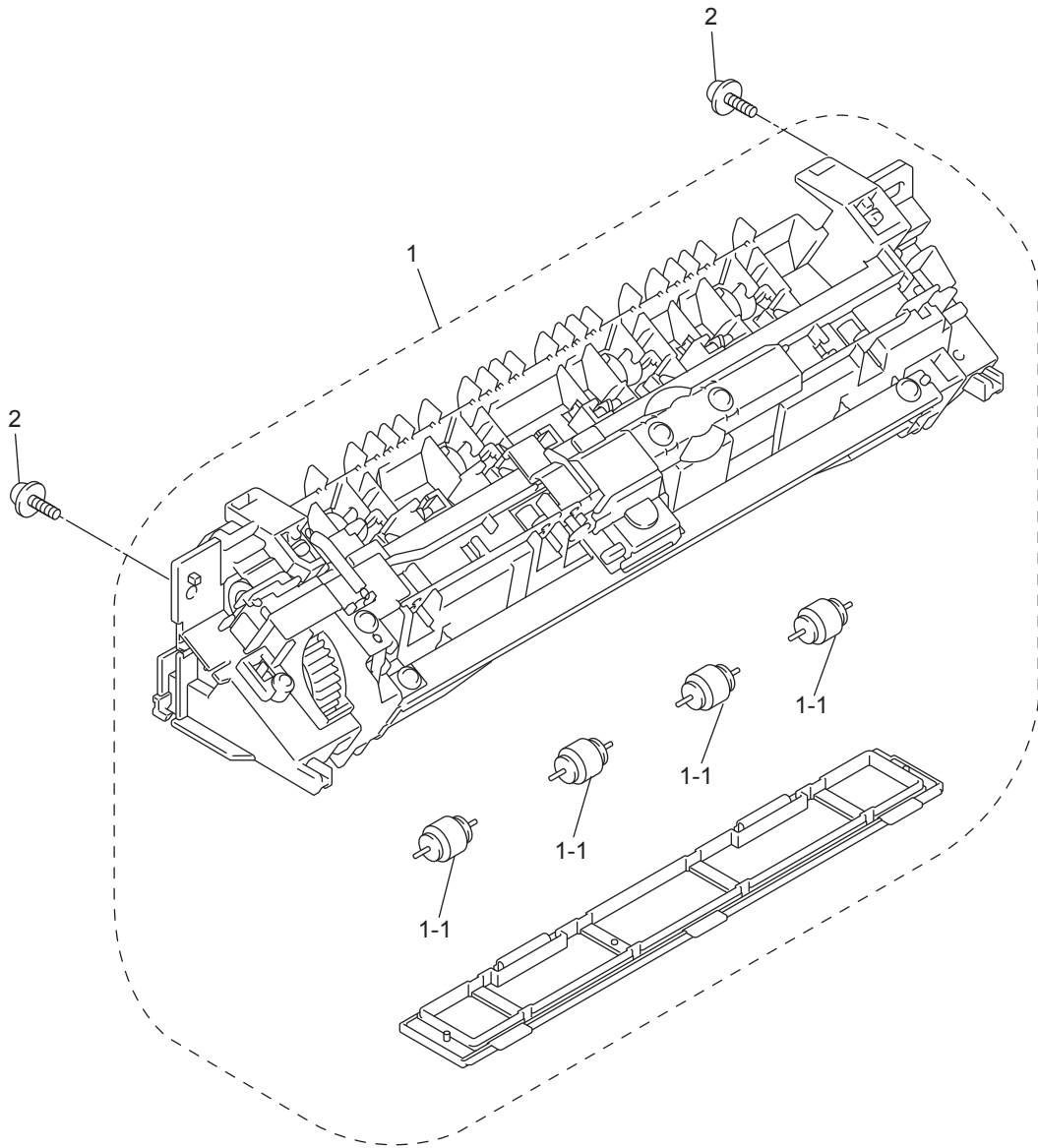
7. PAPER TRAY

REF No.	CODE	Q'TY	DESCRIPTION	REMARKS
1	LY1671001	1	PAPER TRAY UNIT (SP)	CHG

8CE301/8CE306/8CE313/  
8CE314/8CE315/8CE317

DCP9055CDN/DCP9270CDN/MFC9460CDN/  
MFC9465CDN/MFC9560CDW/MFC9970CDW

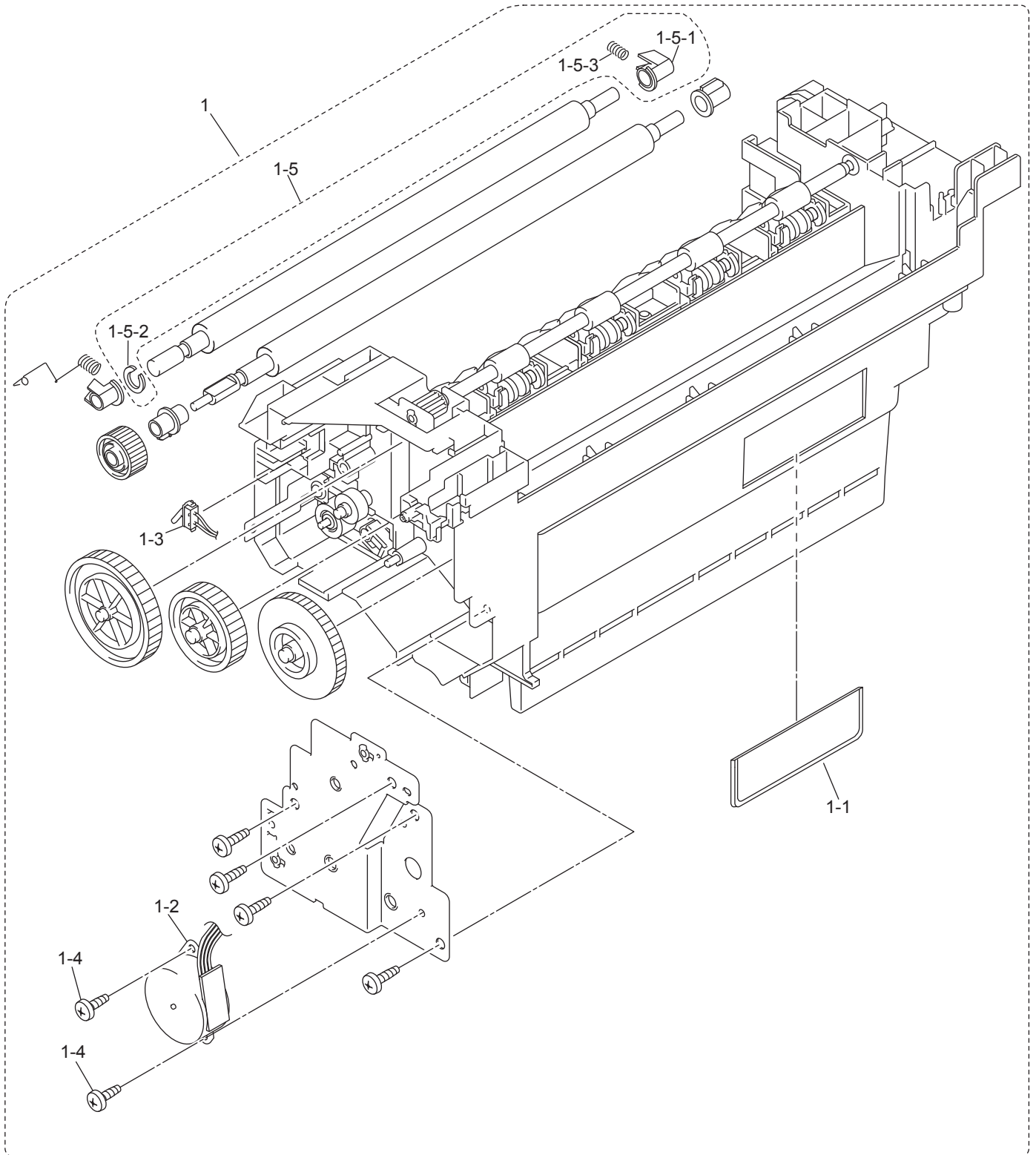
8.FUSER UNIT



8. FUSER UNIT

REF No.	CODE	Q'TY	DESCRIPTION	REMARKS
1	LY0748001	1	FUSER UNIT 115V (SP) FOR US/CAN/BRA	
1	LY0749001	1	FUSER UNIT 230V (SP) EXCEPT FOR US/CAN/BRA	
1-1	LY0634001	4	CLEANER PINCH ROLLER S ASSY BC	ADD
2	LJ0395001	2	TAPTITE PAN B M4X14	

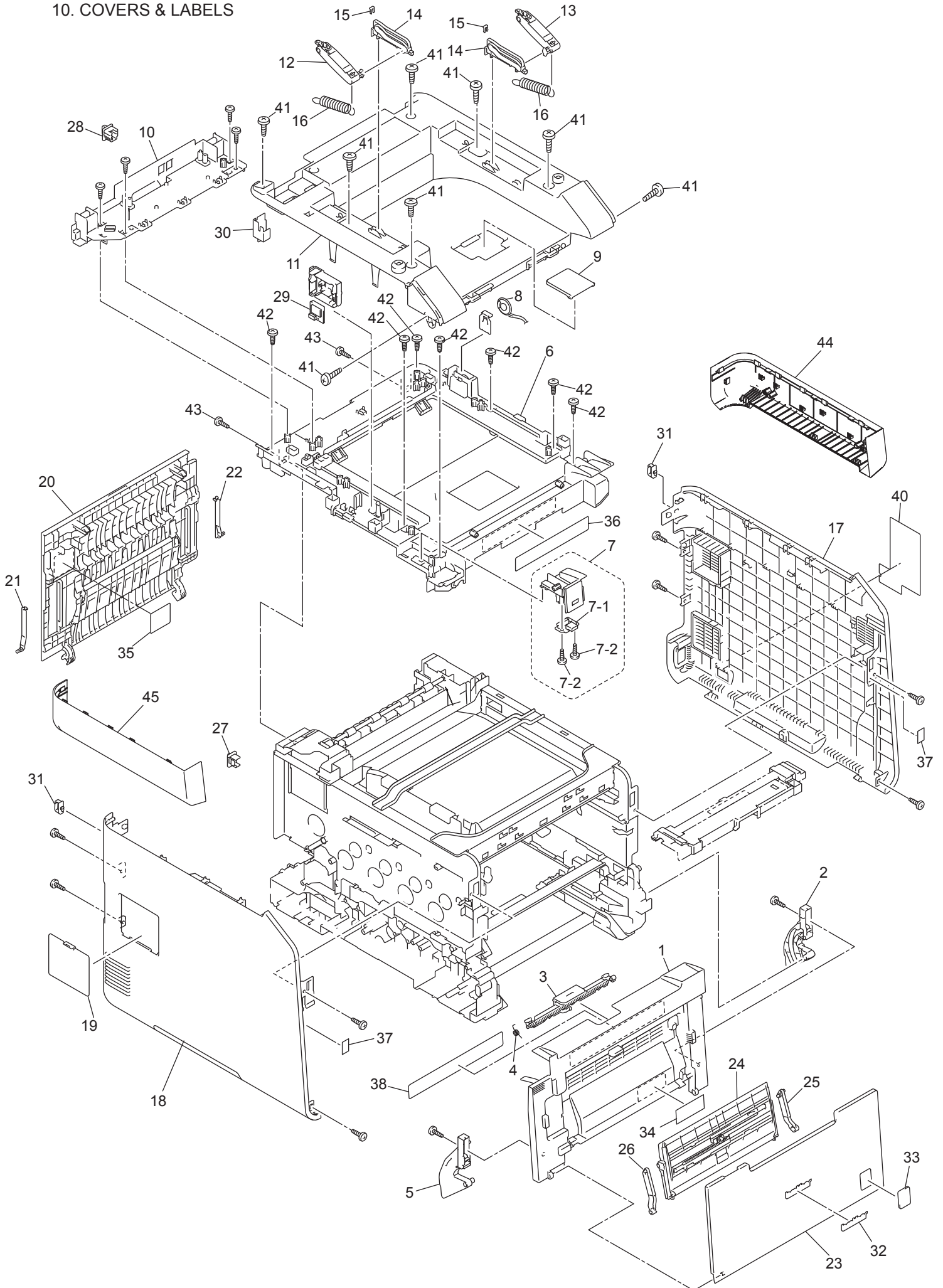
# 9.PAPER EJECT



9. PAPER EJECT

REF No.	CODE	Q'TY	DESCRIPTION	REMARKS
1	LY1735002	1	PAPER EJECT ASSY(SP)	chg
1-1	LY1245001	1	FILTER ASSY	
1-2	LY0408001	1	PAPER EJECT MOTOR	
1-3	LV0538001	1	BACK COVER SENSOR ASSY	
1-4	085320616	2	TAPTITE BIND S M3X6	
1-5	LY7959001	1	EJECT PAPER KIT(SP)	ADD
1-5-1	LY0391002	1	EJECT MIDDLE BEARING	add
1-5-2	LY0719001	1	COLLAR 6	add
1-5-3	LY0393001	1	MIDDLE ROLLER SPRING	add

# 10. COVERS & LABELS



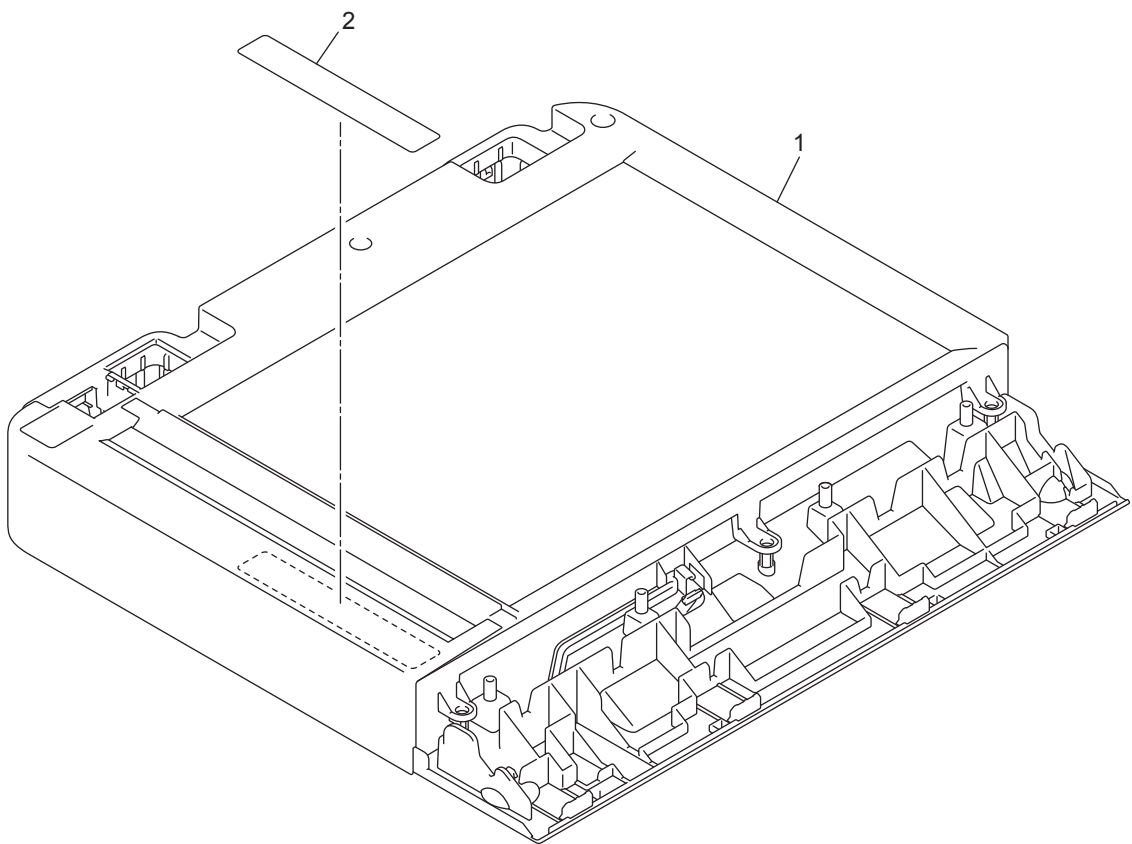
10. COVERS & LABELS

REF No.	CODE	Q'TY	DESCRIPTION	REMARKS
1	LX4013001	1	FRONT COVER	
2	LY0417001	1	FRONT COVER ARM R	
3	LY0419001	1	FRONT COVER RELEASE BUTTON	
4	LY0420001	1	FRONT COVER RELEASE BUTTON SPRING	
5	LY0418001	1	FRONT COVER ARM L	
6	LX4014001	1	JOINT COVER BASE ASSY	
7	LX4160001	1	JOINT COVER FL, DCP9055CDN	
7	LX4016001	1	JOINT COVER FL USB ASSY, DCP9270CDN/MFC9460CDN/MFC9465CDN/ MFC9560CDW/MFC9970CDW, DCP9270CDN ITA CONSIP	
7-1	LV0531001	1	USB HOST RELAY PCB ASSY, DCP9270CDN/MFC9460CDN/MFC9465CDN/ MFC9560CDW/MFC9970CDW, DCP9270CDN ITA CONSIP	
7-2	LU5693001	2	TAPTITE BIND B M4X12	
8	LT1179001	1	SPEAKER UNIT	
9	LY0428002	1	PAPER STOPPER	
10	LX4161001	1	BACK COVER UPPER, DCP9055CDN	
10	LX4203001	1	BACK COVER UPPER, DCP9270CDN, DCP9270CDN ITA CONSIP	
10	LX4018001	1	BACK COVER UPPER, MFC9460CDN/MFC9465CDN/MFC9560CDW	
10	LX4291001	1	BACK COVER UPPER, MFC9970CDW	
11	LX4019001	1	JOINT COVER TOP, DCP9055CDN/MFC9460CDN/MFC9465CDN/MFC9560CDW	
11	LX4204001	1	JOINT COVER TOP, DCP9270CDN/MFC9970CDW, DCP9270CDN ITA CONSIP	
12	LP2727001	1	PULL ARM L, DCP9055CDN/MFC9460CDN/MFC9465CDN/MFC9560CDW	
13	LP2728001	1	PULL ARM R, DCP9055CDN/MFC9460CDN/MFC9465CDN/MFC9560CDW	
14	LS7023001	2	PULL ARM GUIDE, DCP9055CDN/MFC9460CDN/MFC9465CDN/MFC9560CDW	
15	LF6148001	2	LOCK CLAW, DCP9055CDN/MFC9460CDN/MFC9465CDN/MFC9560CDW	
16	LX4020001	2	PULL ARM SPRING, DCP9055CDN/MFC9460CDN/MFC9465CDN/MFC9560CDW	
17	LX4162001	1	SIDE COVER R ASSY, DCP9055CDN	
17	LX4021001	1	SIDE COVER R ASSY, MFC9460CDN/MFC9465CDN/MFC9560CDW	
17	LX4816001	1	SIDE COVER R ASSY, DCP9270CDN/MFC9970CDW, DCP9270CDN ITA CONSIP	
18	LX4165001	1	SIDE COVER L, DCP9055CDN	
18	LX4024001	1	SIDE COVER L, MFC9460CDN/MFC9465CDN/MFC9560CDW	
18	LX4295001	1	SIDE COVER L, DCP9270CDN/MFC9970CDW, DCP9270CDN ITA CONSIP	
19	LR0516003	1	ACCESS COVER	
20	LY0449001	1	BACK COVER	
21	LY0450001	1	BACK COVER STOPPER ARM L	
22	LY0451001	1	BACK COVER STOPPER ARM R	
23	LY0452001	1	MP COVER ASSY	
24	LY0456001	1	MP PAPER GUIDE ASSY	
25	LY0459001	1	MP LINK R	
26	LY0460001	1	MP LINK L	
27	LY0872001	1	LAN PORT CAP	
28	LE8842001	1	EXT CAP, MFC9460CDN/MFC9465CDN/MFC9560CDW/MFC9970CDW FOR US/CAN/CHE/CHN/ARG/CHL/ASA/GUL/KOR/RUS/ARL/NZ/PND/IBR/CEE	
28	UF5745000	1	MJ COVER EXT, MFC9460CDN/MFC9465CDN/MFC9970CDW FOR GER/UK/FRA/BEL/NLD/ITA	
29	LT2155001	1	WIRELESS LAN PCB, MFC9560CDW/MFC9970CDW	CHG
30	LX4318001	1	JOINT FILM, DCP9055CDN/MFC9460CDN/MFC9465CDN/MFC9560CDW	
31	LP2612002	2	CORD HOOK, MFC9460CDN/MFC9465CDN/MFC9560CDW/MFC9970CDW	
32	LX7150003	1	EMBLEM BROTHER SHEET	
33	LY0837001	1	COLOR LASER LABEL	
34	LY0838001	1	MP SET INSTRUCTION LABEL	
35	LY0920001	1	LABEL H/SP CAUTION REAR 49X45	
36	LX4194001	1	LABEL DR OPERATION	
37	LY0917001	2	LABEL DR TARGET L/R	
38	LY0919001	1	LABEL H/SP CAUTION FOR US/CAN/ARG/CHL/BRA	
38	LY1496001	1	LABEL H/SP CAUTION FOR CHN	
38	LY1419001	1	LABEL H/SP CAUTION FOR ARL/NZ/HK/ASA/GUL/KOR	
38	LY0939001	1	LABEL H/SP CAUTION, DCP9055CDN/MFC9460CDN FOR GER/UK/CHE/FRA/BEL/NLD/ITA/IBR/PND/CEE, MFC9465CDN FOR GER/UK/CHE/ITA/RUS/FRA/BEL/NLD/PND/IBR	
38	LY0940001	1	LABEL H/SP CAUTION, DCP9270CDN/MFC9970CDW FOR GER/UK/CHE/ITA/IBR/FRA/ BEL/NLD/PND/CEE, DCP9270CDN ITA CONSIP	
40	LY1306001	1	SWITCH STICKER	
41	LU5693001	8	TAPTITE BIND B M4X12	
42	087320816	7	TAPTITE BIND S M3X8	
43	LU5693001	2	TAPTITE BIND B M4X12	
44	LX4313001	1	SIDE COVER R UPPER, DCP9270CDN/MFC9970CDW, DCP9270CDN ITA CONSIP	
45	LX4314001	1	SIDE COVER L UPPER, DCP9270CDN/MFC9970CDW, DCP9270CDN ITA CONSIP	

8CE301/8CE306/8CE313/  
8CE314/8CE315/8CE317

DCP9055CDN/DCP9270CDN/MFC9460CDN/  
MFC9465CDN/MFC9560CDW/MFC9970CDW

## 11. DOCUMENT SCANNER





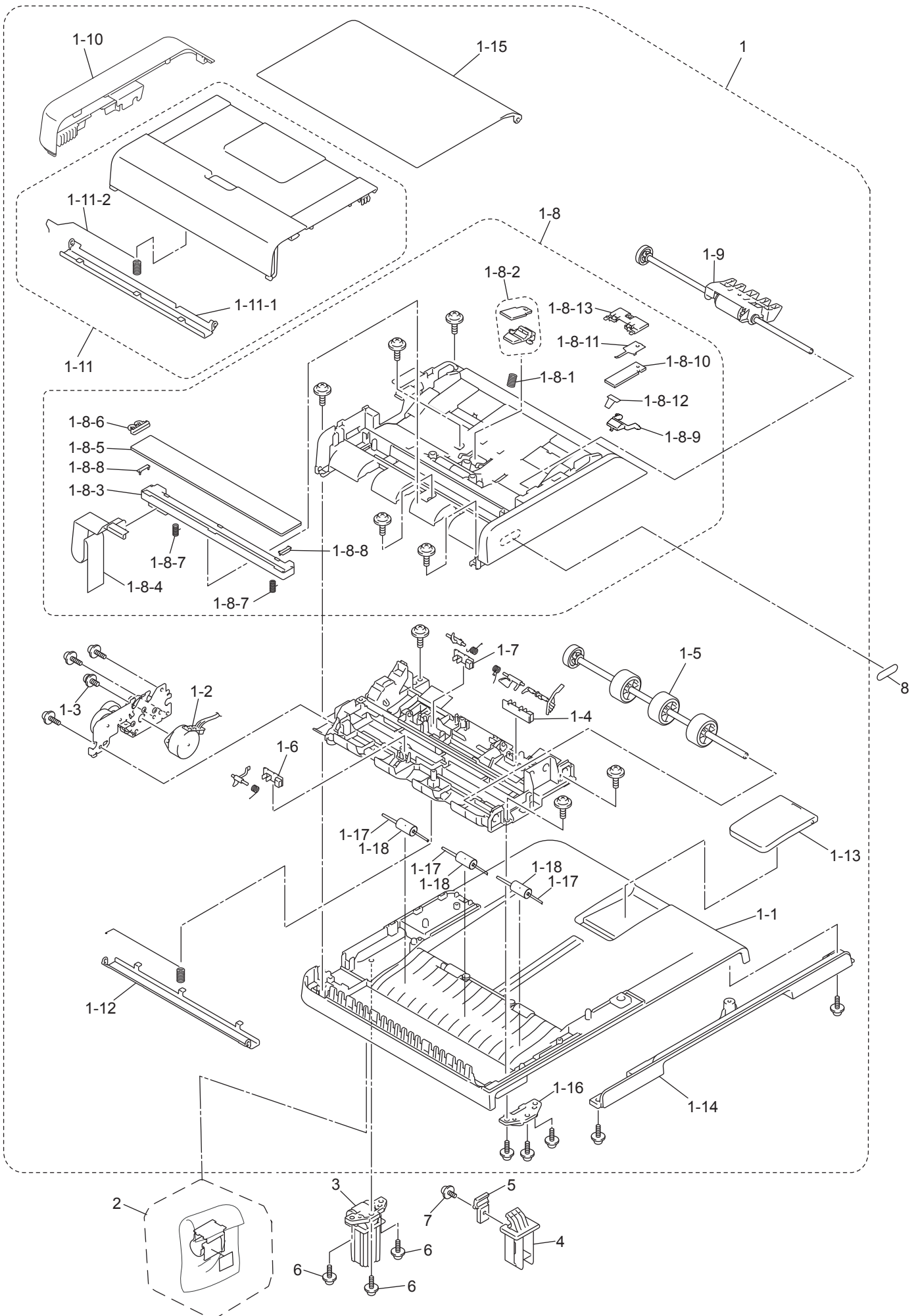
11. DOCUMENT SCANNER

REF No.	CODE	Q'TY	DESCRIPTION	REMARKS
1	LX4566001	1	DOCUMENT SCANNER UNIT (SP), DCP9055CDN/MFC9460CDN/MFC9465CDN/MFC9560CDW	
1	LX4824001	1	DOCUMENT SCANNER UNIT (SP), DCP9270CDN/MFC9970CDW, DCP9270CDN ITA CONSIP	
2	LX5186001	1	ADF CLEAN UP LABEL, DCP9055CDN/MFC9460CDN	
2	LX7422001	1	ADF CLEAN UP LABEL, DCP9270CDN/MFC9465CDN/MFC9560CDW/MFC9970CDW, DCP9270CDN ITA CONSIP	

8CE301/8CE306/8CE313/  
8CE314/8CE315/8CE317

DCP9055CDN/DCP9270CDN/MFC9460CDN/  
MFC9465CDN/MFC9560CDW/MFC9970CDW

12. ADF



## 12. ADF

REF No.	CODE	QTY	DESCRIPTION	SYMBOL	REMARKS
1	LX4561001	1	ADF UNIT (SP), DCP9055CDN/MFC9460CDN		
1	LX4565001	1	ADF UNIT (SP), MFC9465CDN/MFC9560CDW		
1	LX4819001	1	ADF UNIT (SP), DCP9270CDN/MFC9970CDW, DCP9270CDN ITA CONSIP		
1-1	LX4051001	1	DOCUMENT COVER ASSY, DCP9055CDN/MFC9460CDN/MFC9465CDN/MFC9560CDW		
1-1	LX4228001	1	DOCUMENT COVER ASSY, DCP9270CDN/MFC9970CDW, DCP9270CDN ITA CONSIP		
1-2	LX4064001	1	ADF MOTOR, DCP9055CDN/MFC9460CDN/MFC9465CDN/MFC9560CDW		
1-2	LX4236001	1	ADF MOTOR, DCP9270CDN/MFC9970CDW, DCP9270CDN ITA CONSIP		
1-3	0A4300606	1	SCREW PAN (S/P WASHER) M3X6		
1-4	LT1120001	1	DOCUMENT FRONT/ADF OPEN SENSOR	B57U063	
1-5	LX4080001	1	DOCUMENT FEED ROLLER ASSY, DCP9055CDN/MFC9460CDN/MFC9465CDN/MFC9560CDW		
1-5	LX4241001	1	DOCUMENT FEED ROLLER ASSY, DCP9270CDN/MFC9970CDW, DCP9270CDN ITA CONSIP		
1-6	LG6753001	1	DOCUMENT FIRST SIDE REAR SENSOR	B53K928	
1-7	LG6753001	1	DOCUMENT SECOND SIDE REAR SENSOR, DCP9270CDN/MFC9465CDN/MFC9560CDW/MFC9970CDW, DCP9270CDN ITA CONSIP	B53K928	
1-8	LX4168001	1	UPPER DOCUMENT CHUTE ASSY, DCP9055CDN/MFC9460CDN		
1-8	LX4090001	1	UPPER DOCUMENT CHUTE ASSY, MFC9465CDN/MFC9560CDW		
1-8	LX4245001	1	UPPER DOCUMENT CHUTE ASSY, DCP9270CDN/MFC9970CDW, DCP9270CDN ITA CONSIP		
1-8-1	LX4095001	1	ADF SPRING, DCP9055CDN/MFC9460CDN/MFC9465CDN/MFC9560CDW		
1-8-1	LX4365001	1	ADF SPRING, DCP9270CDN/MFC9970CDW, DCP9270CDN ITA CONSIP		
1-8-2	LX4749001	1	SEPARATION RUBBER HOLDER ASSY, DCP9055CDN/MFC9460CDN/MFC9465CDN/MFC9560CDW		
1-8-3	LT0725001	1	SECOND SIDE SCANNING CIS, DCP9270CDN/MFC9465CDN/MFC9560CDW/MFC9970CDW, DCP9270CDN ITA CONSIP		
1-8-4	LT1195001	1	SECOND SIDE SCANNING CIS FLAT CABLE, MFC9465CDN/MFC9560CDW		
1-8-4	LT1305001	1	SECOND SIDE SCANNING CIS FLAT CABLE, DCP9270CDN/MFC9970CDW, DCP9270CDN ITA CONSIP		
1-8-5	LX4097001	1	COVER GLASS, MFC9465CDN/MFC9560CDW		
1-8-5	LX4368001	1	COVER GLASS, DCP9270CDN/MFC9970CDW, DCP9270CDN ITA CONSIP		
1-8-6	LX4098001	1	COVER GLASS STOPPER, DCP9270CDN/MFC9465CDN/MFC9560CDW/MFC9970CDW, DCP9270CDN ITA CONSIP		
1-8-7	LX4099001	2	CIS SPRING, DCP9270CDN/MFC9465CDN/MFC9560CDW/MFC9970CDW, DCP9270CDN ITA CONSIP		
1-8-8	LX4100001	2	CIS SPACER, DCP9270CDN/MFC9465CDN/MFC9560CDW/MFC9970CDW, DCP9270CDN ITA CONSIP		
1-8-9	LX4252001	1	ADF SPRING HOLDER, DCP9270CDN/MFC9970CDW, DCP9270CDN ITA CONSIP		
1-8-10	LX4249001	1	SEPARATION RUBBER, DCP9270CDN/MFC9970CDW, DCP9270CDN ITA CONSIP		
1-8-11	LX4777001	1	SEPARATE SUPPORT FILM, DCP9270CDN/MFC9970CDW, DCP9270CDN ITA CONSIP		
1-8-12	LX4652001	1	SUPPORT FILM, DCP9270CDN/MFC9970CDW, DCP9270CDN ITA CONSIP		
1-8-13	LX4320001	1	SEPARATION RUBBER HOLDER, DCP9270CDN/MFC9970CDW, DCP9270CDN ITA CONSIP		
1-9	LX4109001	1	SEPARATE ROLLER ASSY, DCP9055CDN/MFC9460CDN/MFC9465CDN/MFC9560CDW		
1-9	LX4256001	1	SEPARATE ROLLER ASSY, DCP9270CDN/MFC9970CDW, DCP9270CDN ITA CONSIP		
1-10	LX4117001	1	GEAR COVER, DCP9055CDN/MFC9460CDN/MFC9465CDN/MFC9560CDW		
1-10	LX4264001	1	GEAR COVER, DCP9270CDN/MFC9970CDW, DCP9270CDN ITA CONSIP		
1-11	LX4170001	1	ADF COVER ASSY, DCP9055CDN/MFC9460CDN		
1-11	LX4118001	1	ADF COVER ASSY, MFC9465CDN/MFC9560CDW		
1-11	LX4265001	1	ADF COVER ASSY, DCP9270CDN/MFC9970CDW, DCP9270CDN ITA CONSIP		
1-11-1	LS0977001	1	DOCUMENT HOLD ASSY, DCP9270CDN/MFC9465CDN/MFC9560CDW/MFC9970CDW, DCP9270CDN ITA CONSIP		
1-11-2	LX4120001	1	EARTH SPRING DH ADF, DCP9270CDN/MFC9465CDN/MFC9560CDW/MFC9970CDW, DCP9270CDN ITA CONSIP		
1-12	LS0977001	1	DOCUMENT HOLD ASSY		
1-13	LX4184001	1	DOCUMENT STOPPER, DCP9055CDN/MFC9460CDN/MFC9465CDN/MFC9560CDW		
1-13	LX4267001	1	DOCUMENT STOPPER, DCP9270CDN/MFC9970CDW, DCP9270CDN ITA CONSIP		
1-14	LX4128001	1	GRIP COVER		
1-15	LX5371001	1	DOCUMENT SUB TRAY, DCP9055CDN/MFC9460CDN/MFC9465CDN/MFC9560CDW		chg
1-15	LX4268001	1	DOCUMENT SUB TRAY, DCP9270CDN/MFC9970CDW, DCP9270CDN ITA CONSIP		
1-16	LS8141001	1	HINGE ARM R		
1-17	LX4127001	3	LF2 SPRING SHAFT		
1-18	LX4779001	3	LF2 PINCH ROLLER, DCP9055CDN/MFC9460CDN/MFC9465CDN/MFC9560CDW		add
1-18	LS4567002	3	LF2 PINCH ROLLER, DCP9270CDN/MFC9970CDW, DCP9270CDN ITA CONSIP		
2	LX4649001	1	FFC HOLDER ASSY (SP), DCP9270CDN/MFC9465CDN/MFC9560CDW/MFC9970CDW, DCP9270CDN ITA CONSIP		
3	LX4126001	1	HINGE ASSY L, DCP9055CDN/MFC9460CDN/MFC9465CDN/MFC9560CDW		
3	LX4269001	1	HINGE ASSY L, DCP9270CDN/MFC9970CDW, DCP9270CDN ITA CONSIP		
4	LS8154001	1	HINGE R		
5	LS8155001	1	HINGE R SUPPORT		
6	087321216	3	TAPTITE CUP S M3X12		
7	087311016	1	TAPTITE CUP B M3X10		CHG
8	LX4197001	1	ADF EMBLEM, DCP9055CDN/DCP9270CDN, DCP9270CDN ITA CONSIP		

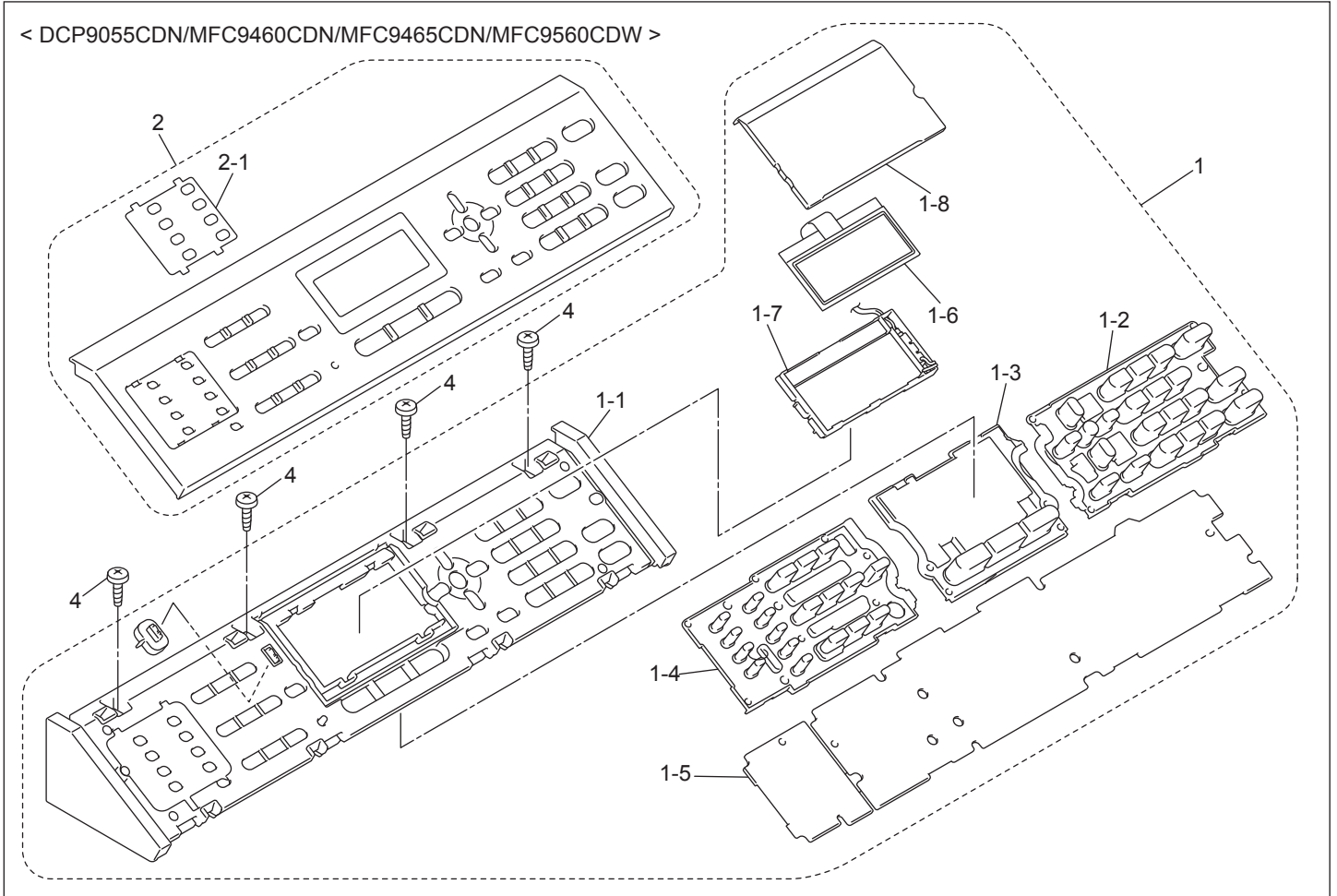
8CE301/8CE306/8CE313/  
8CE314/8CE315/8CE317DCP9055CDN/DCP9270CDN/MFC9460CDN/  
MFC9465CDN/MFC9560CDW/MFC9970CDW

12. ADF

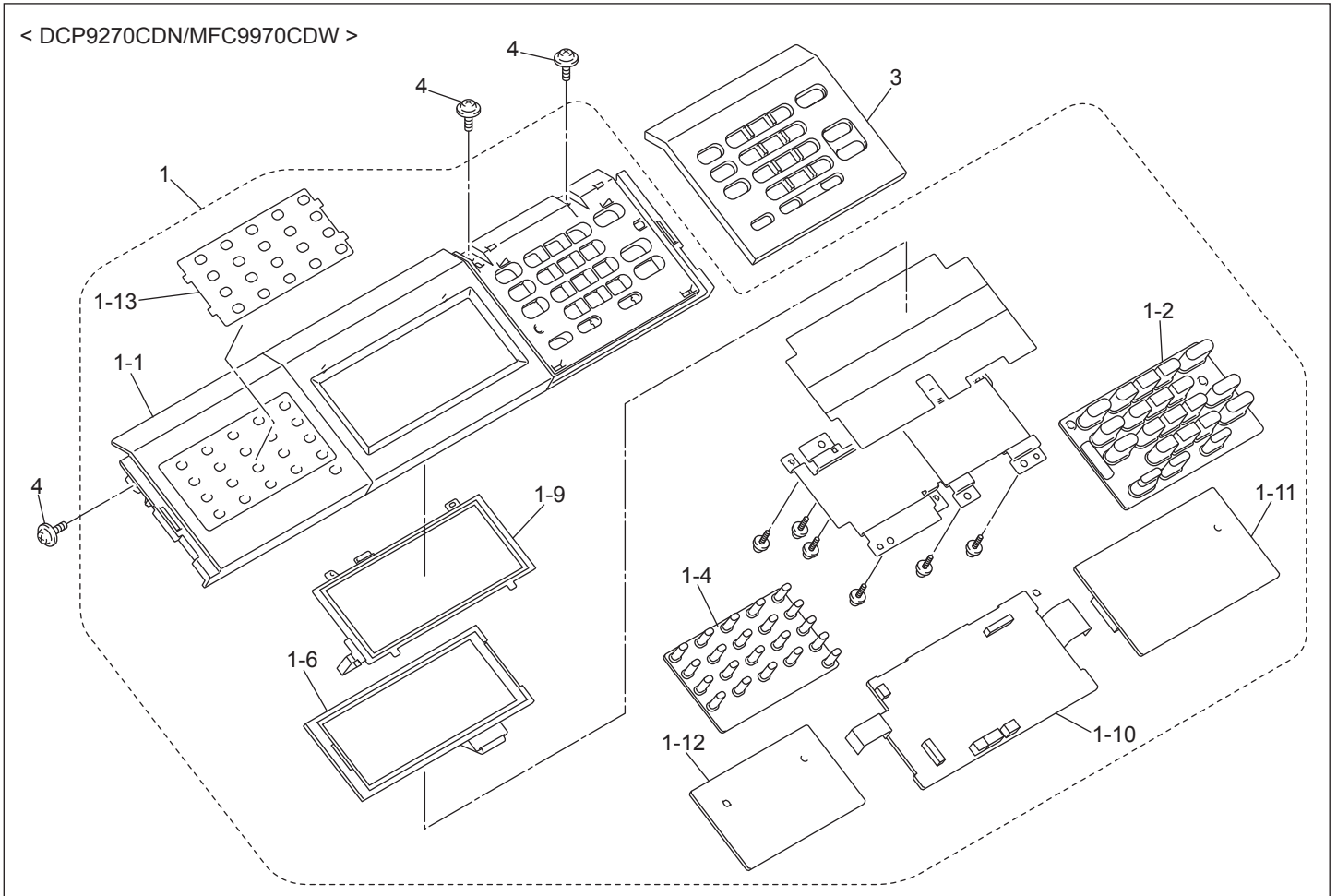
REF No.	CODE	Q'TY	DESCRIPTION	SYMBOL	REMARKS
8	LX4202001	1	ADF EMBLEM, MFC9460CDN/MFC9560CDW/MFC9970CDW FOR US/CAN/BRA/ARG/CHL		
8	LX4196001	1	ADF EMBLEM, MFC9460CDN/MFC9465CDN/MFC9970CDW FOR EXCEPT FOR US/CAN/BRA/ARG/CHL		

13.PANEL

< DCP9055CDN/MFC9460CDN/MFC9465CDN/MFC9560CDW >



< DCP9270CDN/MFC9970CDW >



13. PANEL

REF No.	CODE	Q'TY	DESCRIPTION	REMARKS
1	LX4172001	1	PANEL UNIT, DCP9055CDN EXCEPT FOR CHN	
1	LX4791001	1	PANEL UNIT, DCP9055CDN FOR CHN	
1	LX4270001	1	PANEL UNIT, DCP9270CDN, DCP9270CDN ITA CONSIP	
1	LX4129001	1	PANEL UNIT, MFC9460CDN/MFC9465CDN/MFC9560CDW EXCEPT FOR CHN	
1	LX4322001	1	PANEL UNIT, MFC9465CDN FOR CHN	
1	LX4296001	1	PANEL UNIT, MFC9970CDW	
1-1	LX4173001	1	PANEL COVER, DCP9055CDN	
1-1	LX4271001	1	PANEL COVER, DCP9270CDN, DCP9270CDN ITA CONSIP	
1-1	LX4130001	1	PANEL COVER, MFC9460CDN/MFC9465CDN/MFC9560CDW	
1-1	LX4297001	1	PANEL COVER, MFC9970CDW	
1-2	LX4131001	1	RUBBER KEY R, DCP9055CDN/MFC9460CDN/MFC9465CDN/MFC9560CDW	
1-2	LX4273001	1	RUBBER KEY R, DCP9270CDN, DCP9270CDN ITA CONSIP	
1-2	LX4299001	1	RUBBER KEY R, MFC9970CDW	
1-3	LX4174001	1	RUBBER KEY C, DCP9055CDN	
1-3	LX4133001	1	RUBBER KEY C, MFC9460CDN/MFC9465CDN/MFC9560CDW	
1-4	LX4176001	1	RUBBER KEY L, DCP9055CDN	
1-4	LX4135001	1	RUBBER KEY L, MFC9460CDN/MFC9465CDN/MFC9560CDW	
1-4	LX4301001	1	RUBBER KEY L, MFC9970CDW	
1-5	LT1198002	1	PANEL PCB ASSY, DCP9055CDN EXCEPT FOR CHN	
1-5	LT1355002	1	PANEL PCB ASSY, DCP9055CDN FOR CHN	
1-5	LT1198001	1	PANEL PCB ASSY, MFC9460CDN/MFC9465CDN/MFC9560CDW EXCEPT FOR CHN	
1-5	LT1355001	1	PANEL PCB ASSY, MFC9465CDN FOR CHN	
1-6	A62006001	1	LCD, DCP9055CDN/MFC9460CDN/MFC9465CDN/MFC9560CDW EXCEPT FOR CHN	
1-6	A62027001	1	LCD, DCP9055CDN/MFC9465CDN FOR CHN	
1-6	A62122001	1	LCD, DCP9270CDN/MFC9970CDW, DCP9270CDN ITA CONSIP	CHG
1-7	LG6550001	1	BACK LIGHT MODULE, DCP9055CDN/MFC9460CDN/MFC9465CDN/MFC9560CDW	
1-8	LX4137001	1	LCD COVER, DCP9055CDN/MFC9460CDN/MFC9465CDN/MFC9560CDW	
1-9	LX4277001	1	TOUCH PANEL ASSY, DCP9270CDN/MFC9970CDW, DCP9270CDN ITA CONSIP	
1-10	LT1308002	1	TOUCH PANEL PCB ASSY, DCP9270CDN	
1-10	LT2276002	1	TOUCH PANEL PCB ASSY, DCP9270CDN, DCP9270CDN ITA CONSIP	ADD
1-10	LT1308001	1	TOUCH PANEL PCB ASSY, MFC9970CDW	
1-10	LT2276001	1	TOUCH PANEL PCB ASSY, MFC9970CDW	ADD
1-11	LT1310002	1	TOUCH PANEL PCB ASSY R, DCP9270CDN, DCP9270CDN ITA CONSIP	
1-11	LT1310001	1	TOUCH PANEL PCB ASSY R, MFC9970CDW	
1-12	LT1313001	1	TOUCH PANEL PCB ASSY L, MFC9970CDW	
1-13	LX4303001	1	ADDRESS LABEL, MFC9970CDW	
2	LX4325001	1	PANEL COVER ASSY, MFC9460CDN FOR US/CAN	
2	LX4140001	1	PANEL COVER ASSY, MFC9560CDW FOR US/CAN	
2	LX4495001	1	PANEL COVER ASSY, DCP9055CDN FOR GER/CHE (GERMAN)	
2	LX4534001	1	PANEL COVER ASSY, MFC9460CDN FOR GER/CHE (GERMAN)	
2	LX4593001	1	PANEL COVER ASSY, MFC9465CDN FOR GER/CHE (GERMAN)	
2	LX4473001	1	PANEL COVER ASSY, DCP9055CDN FOR UK/FRA/BEL/NLD/CEE (ENGLISH)	
2	LX4508001	1	PANEL COVER ASSY, MFC9460CDN FOR UK/FRA/BEL/NLD/GUL/CEE (ENGLISH)	
2	LX4575001	1	PANEL COVER ASSY, MFC9465CDN FOR UK/FRA/BEL/NLD (ENGLISH)	
2	LX4474001	1	PANEL COVER ASSY, DCP9055CDN FOR FRA/BEL/NLD/CHE (FRENCH)	
2	LX4509001	1	PANEL COVER ASSY, MFC9460CDN FOR FRA/BEL/NLD/CHE (FRENCH)	
2	LX4576001	1	PANEL COVER ASSY, MFC9465CDN FOR FRA/BEL/NLD/CHE (FRENCH)	
2	LX4475001	1	PANEL COVER ASSY, DCP9055CDN FOR FRA/BEL/NLD (DUTCH)	
2	LX4510001	1	PANEL COVER ASSY, MFC9460CDN FOR FRA/BEL/NLD (DUTCH)	
2	LX4577001	1	PANEL COVER ASSY, MFC9465CDN FOR FRA/BEL/NLD (DUTCH)	
2	LX4522001	1	PANEL COVER ASSY, MFC9460CDN FOR ITA	
2	LX4583001	1	PANEL COVER ASSY, MFC9465CDN FOR ITA	
2	LX4483001	1	PANEL COVER ASSY, DCP9055CDN FOR ITA/IBR (SPANISH)	
2	LX4482001	1	PANEL COVER ASSY, DCP9055CDN FOR ITA/IBR (ITALIAN)	
2	LX4484001	1	PANEL COVER ASSY, DCP9055CDN FOR ITA/IBR (PORTUGUESE)	
2	LX4789001	1	PANEL COVER ASSY, DCP9055CDN FOR CHN	
2	LX4323001	1	PANEL COVER ASSY, MFC9465CDN FOR CHN	
2	LX4799001	1	PANEL COVER ASSY, MFC9460CDN FOR GUL (TURKISH)	
2	LX4800001	1	PANEL COVER ASSY, MFC9460CDN FOR GUL (ARABIC)	
2	LX4729001	1	PANEL COVER ASSY, MFC9460CDN FOR BRA	
2	LX4806001	1	PANEL COVER ASSY, MFC9460CDN FOR KOR	
2	LX4627001	1	PANEL COVER ASSY, DCP9055CDN FOR ARL/NZ/HK	
2	LX4637001	1	PANEL COVER ASSY, MFC9460CDN FOR ARL/NZ	
2	LX4526001	1	PANEL COVER ASSY, MFC9460CDN FOR IBR (SPANISH)	
2	LX4586001	1	PANEL COVER ASSY, MFC9465CDN FOR IBR (SPANISH)	
2	LX4527001	1	PANEL COVER ASSY, MFC9460CDN FOR IBR (PORTUGUESE)	
2	LX4587001	1	PANEL COVER ASSY, MFC9465CDN FOR IBR (PORTUGUESE)	
2	LX4780001	1	PANEL COVER ASSY, MFC9465CDN FOR RUS	
2	LX4595001	1	PANEL COVER ASSY, DCP9055CDN FOR PND	
2	LX4603001	1	PANEL COVER ASSY, MFC9460CDN FOR PND	
2	LX4644001	1	PANEL COVER ASSY, MFC9465CDN FOR PND	
2	LX4742001	1	PANEL COVER ASSY, DCP9055CDN FOR CEE (POLISH)	
2	LX4735001	1	PANEL COVER ASSY, MFC9460CDN FOR CEE (POLISH)	
2-1	LX4145001	1	ADDRESS LABEL, MFC9460CDN/MFC9465CDN/MFC9560CDW	

8CE301/8CE306/8CE313/  
8CE314/8CE315/8CE317

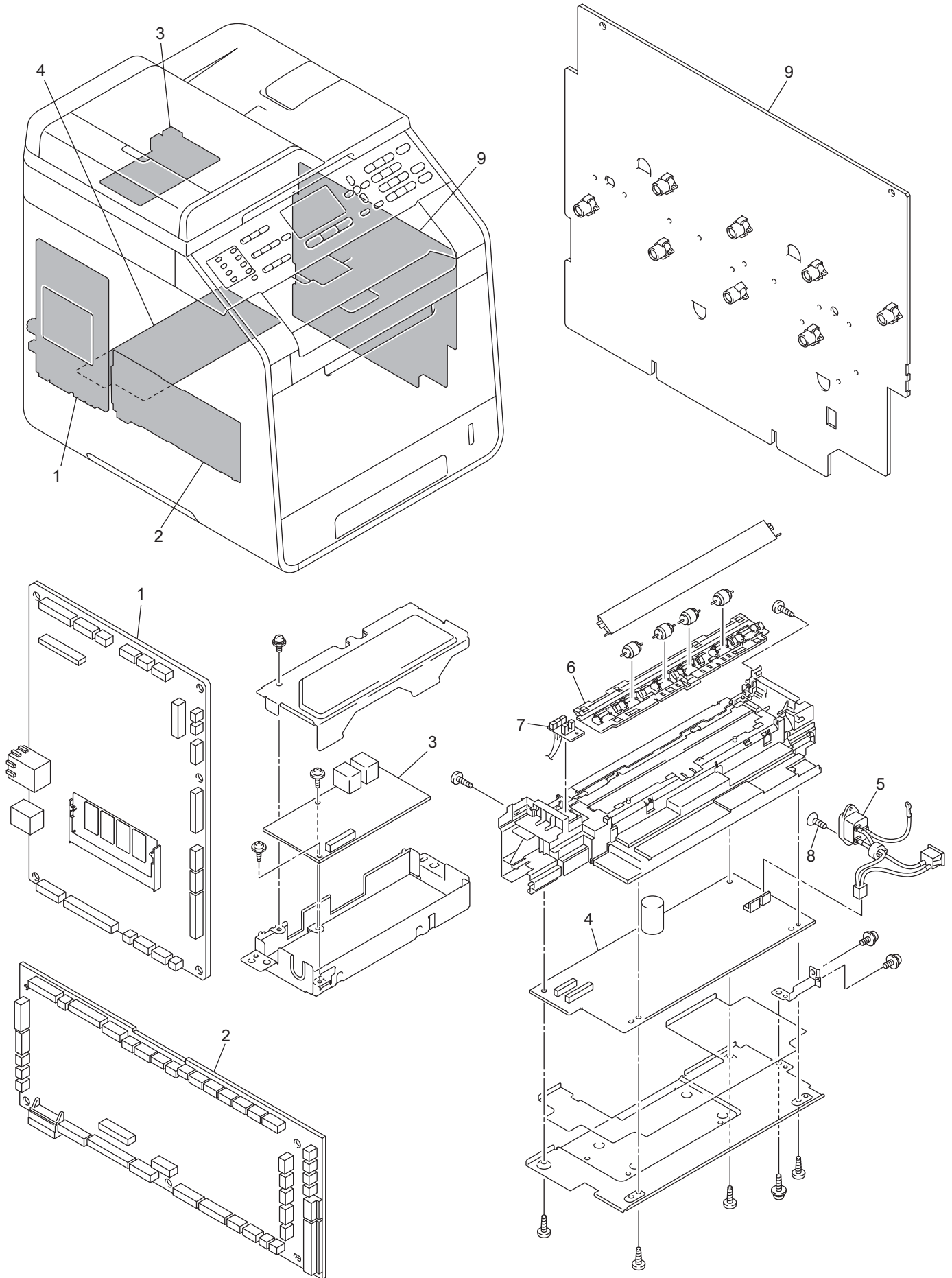
DCP9055CDN/DCP9270CDN/MFC9460CDN/  
MFC9465CDN/MFC9560CDW/MFC9970CDW

13. PANEL

REF No.	CODE	Q'TY	DESCRIPTION	REMARKS
3	LX4304001	1	PRINTED PANEL COVER , MFC9970CDW FOR US/CAN (ENGLISH)	
3	LX4665001	1	PRINTED PANEL COVER, DCP9270CDN FOR GER/CHE (GERMAN)	
3	LX4698001	1	PRINTED PANEL COVER, MFC9970CDW FOR GER/CHE (GERMAN)	
3	LX4682001	1	PRINTED PANEL COVER, DCP9270CDN FOR UK/FRA/BEL/NLD/CEE (ENGLISH)	
3	LX4712001	1	PRINTED PANEL COVER, MFC9970CDW FOR UK/FRA/BEL/NLD/GUL/CEE (ENGLISH)	
3	LX4666001	1	PRINTED PANEL COVER, DCP9270CDN FOR FRA/BEL/NLD/CHE (FRENCH)	
3	LX4699001	1	PRINTED PANEL COVER, MFC9970CDW FOR FRA/BEL/NLD/CHE (FRENCH)	
3	LX4683001	1	PRINTED PANEL COVER, DCP9270CDN FOR FRA/BEL/NLD (DUTCH)	
3	LX4713001	1	PRINTED PANEL COVER, MFC9970CDW FOR FRA/BEL/NLD (DUTCH)	
3	LX4672001	1	PRINTED PANEL COVER, DCP9270CDN FOR ITA/IBR (SPANISH)	
3	LX4705001	1	PRINTED PANEL COVER, MFC9970CDW FOR ITA/IBR (SPANISH)	
3	LX4674001	1	PRINTED PANEL COVER, DCP9270CDN ITA CONSIP (ITALIAN)	
3	LX4671001	1	PRINTED PANEL COVER, DCP9270CDN FOR ITA/IBR (ITALIAN)	
3	LX4704001	1	PRINTED PANEL COVER, MFC9970CDW FOR ITA/IBR (ITALIAN)	
3	LX4673001	1	PRINTED PANEL COVER, DCP9270CDN FOR ITA/IBR (PORTUGUESE)	
3	LX4706001	1	PRINTED PANEL COVER, MFC9970CDW FOR ITA/IBR (PORTUGUESE)	
3	LX4841001	1	PRINTED PANEL COVER, MFC9970CDW FOR GUL (ARABIC)	
3	LX4842001	1	PRINTED PANEL COVER, MFC9970CDW FOR GUL (TURKISH)	
3	LX4858001	1	PRINTED PANEL COVER, MFC9970CDW FOR ARG/CHL	
3	LX4835001	1	PRINTED PANEL COVER, MFC9970CDW FOR ASA/ARL/NZ	
3	LX4762001	1	PRINTED PANEL COVER, DCP9270CDN FOR PND	
3	LX4766001	1	PRINTED PANEL COVER, MFC9970CDW FOR PND	
3	LX4861001	1	PRINTED PANEL COVER, DCP9270CDN FOR CEE (POLISH)	
3	LX4833001	1	PRINTED PANEL COVER, MFC9970CDW FOR CEE (POLISH)	
4	087311016	**1	TAPTITE CUP B M3x10	

\*1 Q'TY; 4 for DCP9055CDN/MFC9460CDN/MFC9465CDN/MFC9560CDW  
3 for DCP9270CDN/MFC9970CDW

14. PCB





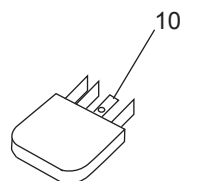
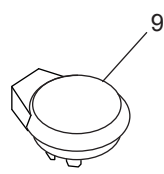
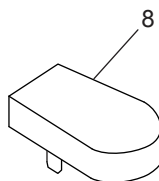
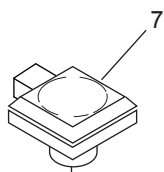
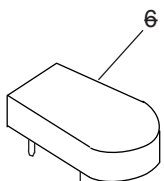
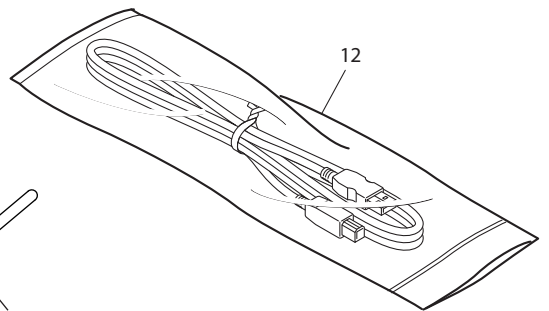
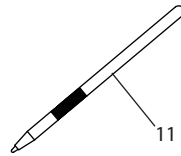
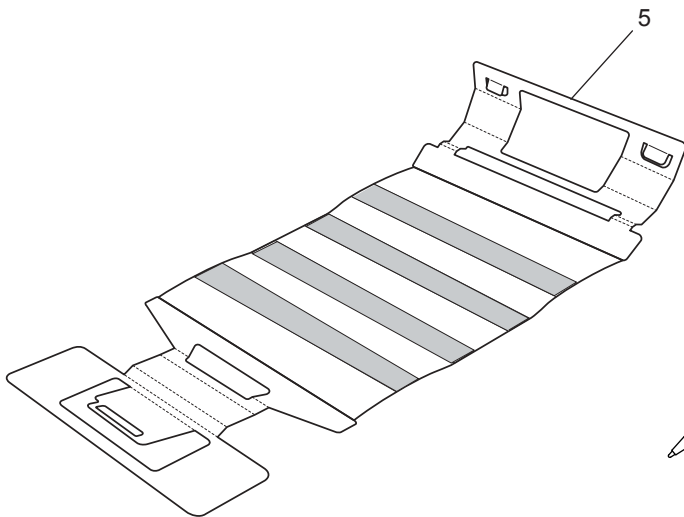
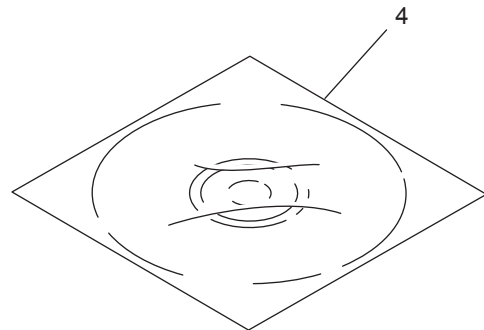
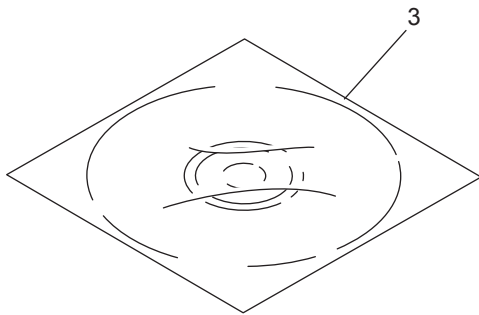
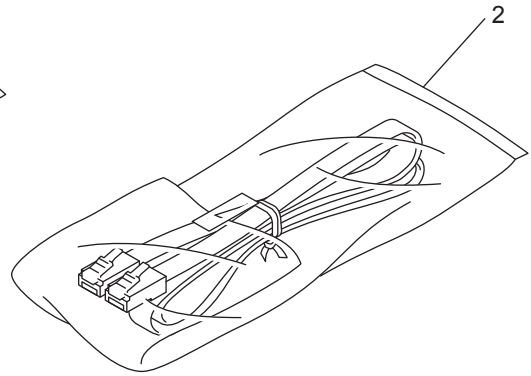
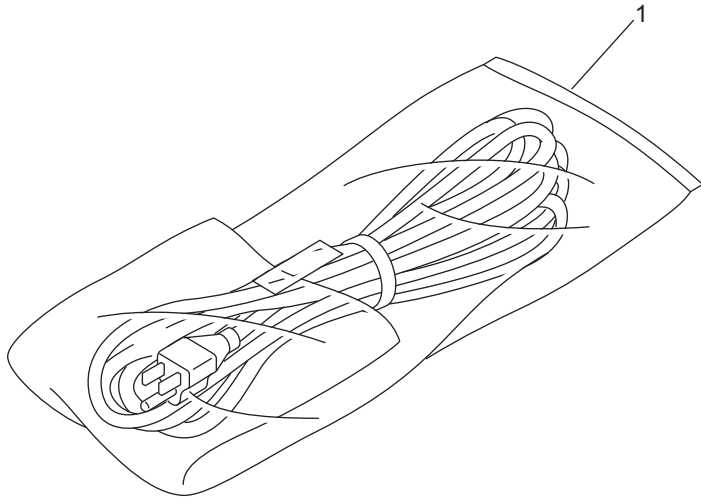
14. PCB

REF No.	CODE	Q'TY	DESCRIPTION	SYMBOL	REMARKS
1	LT1203004	1	MAIN PCB ASSY, DCP9055CDN EXCEPT FOR CHN	B57T022	
1	LT1203020	1	MAIN PCB ASSY, DCP9055CDN FOR CHN	B57T022	
1	LT1205004	1	MAIN PCB ASSY, DCP9270CDN, DCP9270CDN ITA CONSIP	B57T022	
1	LT1202001	1	MAIN PCB ASSY, MFC9460CDN FOR US/CAN	B57T022	
1	LT1202004	1	MAIN PCB ASSY, MFC9460CDN EXCEPT FOR US/CAN	B57T022	
1	LT1201004	1	MAIN PCB ASSY, MFC9465CDN EXCEPT FOR CHN	B57T022	
1	LT1201020	1	MAIN PCB ASSY, MFC9465CDN FOR CHN	B57T022	
1	LT1200001	1	MAIN PCB ASSY, MFC9560CDW FOR ALL COUNTRIES	B57T022	
1	LT1204001	1	MAIN PCB ASSY, MFC9970CDW FOR US/CAN	B57T022	
1	LT1204004	1	MAIN PCB ASSY, MFC9970CDW EXCEPT FOR US/CAN	B57T022	
2	LV0535001	1	ENGINE PCB ASSY		
3	LT0867001	1	NCU PCB ASSY, MFC9460CDN/MFC9560CDW/MFC9970CDW FOR US	B57T013	
3	LT0867003	1	NCU PCB ASSY, MFC9460CDN/MFC9560CDW/MFC9970CDW FOR CAN	B57T013	
3	LT1168001	1	NCU PCB ASSY, MFC9460CDN/MFC9465CDN/MFC9970CDW FOR GER/UK/CHE/ITA/IBR/RUS/FRA/BEL/NLD/PND/CEE	B57T027	
3	LT1324001	1	NCU PCB ASSY, MFC9465CDN FOR CHN	B57T037	
3	LT1326001	1	NCU PCB ASSY, MFC9460CDN/MFC9970CDW FOR GUL	B57T037	
3	LT1328001	1	NCU PCB ASSY, MFC9460CDN FOR BRA/KOR, MFC9970CDW FOR ARG/CHL/ASA	B57T037	
3	LT1169001	1	NCU PCB ASSY, MFC9460CDN/MFC9970CDW FOR ARL/NZ	B57T027	
4	LV0524001	1	LOW-VOLTAGE POWER SUPPLY PCB ASSY 115V FOR US/CAN/BRA		
4	LT1359001	1	LOW-VOLTAGE POWER SUPPLY PCB ASSY 230V FOR CHN/RUS		
4	LV0511001	1	LOW-VOLTAGE POWER SUPPLY PCB ASSY 230V, EXCEPT FOR US/CAN/CHN/BRA/RUS		
5	LT1522001	1	INLET HARNESS ASSY, DCP9055CDN/MFC9460CDN/MFC9465CDN/MFC9560CDW		
5	LT1700001	1	INLET HARNESS ASSY, DCP9270CDN/MFC9970CDW, DCP9270CDN ITA CONSIP		
6	LY0954001	1	CLEANER PINCH ROLLER HOLDER		
7	LV0529001	1	PAPER EJECT SENSOR PCB ASSY		
8	084311016	1	TAPTITE FLAT B M3X10		
9	LY0641001	1	HIGH-VOLTAGE POWER SUPPLY PCB ASSY		

8CE301/8CE306/8CE313/  
8CE314/8CE315/8CE317

DCP9055CDN/DCP9270CDN/MFC9460CDN/  
MFC9465CDN/MFC9560CDW/MFC9970CDW

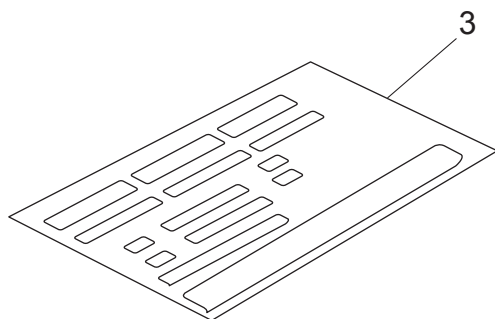
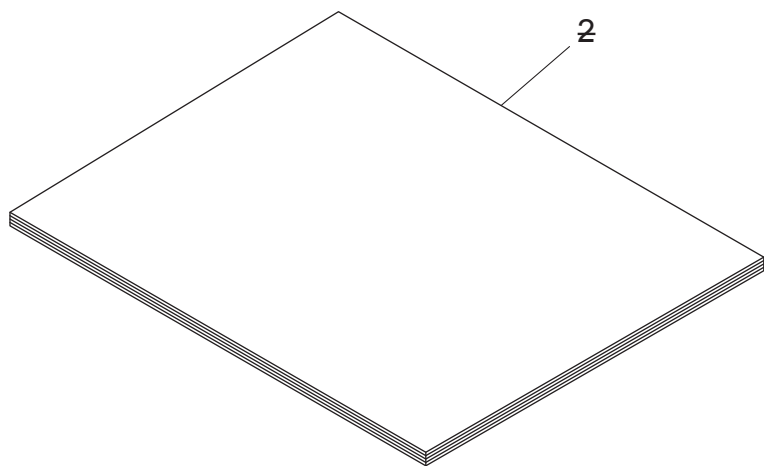
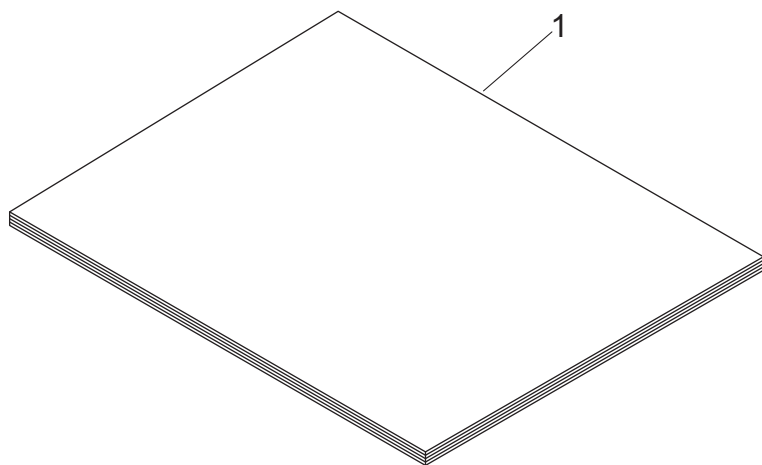
15. ACCESSORIES



## 15. ACCESSORIES

REF No.	CODE	Q'TY	DESCRIPTION	REMARKS
1	LM9362001	1	AC CORD BAG ASSY LF UL/CSA 13A FOR US/CAN	
1	LV0364001	1	AC CORD BAG ASSY LF VDE S FOR GER/ITA/GUL/IBR/FRA/BEL/NLD/ASA/RUS/PND/CEE	
1	LV0368001	1	AC CORD BAG ASSY LF BS/PSB S FOR UK/ASA/GUL/ARL/NZ/HK	chg
1	LT2259001	1	AC CORD BAG ASSY LF SEV FOR CHE	chg
1	LV1093001	1	AC CORD BAG ASSY LF CHN S FOR CHN	chg
1	LT0925001	1	AC CORD BAG ASSY LF IRAM FOR ARG	
1	LG6207001	1	AC CORD BAG ASSY LF CHILE FOR CHL	
1	LG6404001	1	AC CORD BAG ASSY LF SAF FOR GUL	
1	LT0935001	1	AC CORD BAG ASSY LF KOR S FOR KOR	chg
1	LT2346001	1	AC CORD BAG ASSY LF BRZ N FOR BRA	chg
1	LV0366001	1	AC CORD BAG ASSY LF SAA S FOR ARL/NZ/HK	
1	LG4720001	1	AC CORD BAG ASSY LF DEMKO FOR PND	
1	LV0388001	1	AC CORD BAG ASSY LF PERU FOR CHL	add
2	LG3077001	1	TELEPHONE LINE CORD CSA, MFC9460CDN/MFC9465CDN/MFC9560CDW/MFC9970CDW FOR US/CAN/UK/FRA/BEL/NLD/CHN/ARG/CHL/ASA/GUL/KOR/BRA/RUS/ARL/NZ/IBR/CEE	
2	LT3878001	4	TELEPHONE LINE CORD KOR, MFC9460CDN FOR KOR	DEL
2	UG3625001	1	TELEPHONE LINE CORD GER, MFC9460CDN/MFC9465CDN/MFC9970CDW FOR GER	
2	UG4205001	1	TELEPHONE LINE CORD AUS, MFC9460CDN/MFC9465CDN/MFC9970CDW FOR GER	
2	UG3626001	1	TELEPHONE LINE CORD UK6P, MFC9460CDN/MFC9465CDN/MFC9970CDW FOR UK	
2	UG3627001	1	TELEPHONE LINE CORD FRA, MFC9460CDN/MFC9465CDN/MFC9970CDW FOR FRA/BEL/NLD	
2	UG1575001	1	TELEPHONE LINE CORD BEL, MFC9460CDN/MFC9465CDN/MFC9970CDW FOR FRA/BEL/NLD	
2	LG7202001	1	TELEPHONE LINE CORD SWI, MFC9460CDN/MFC9465CDN/MFC9970CDW FOR CHE	
2	UG3634001	1	TELEPHONE LINE CORD ITA, MFC9460CDN/MFC9465CDN/MFC9970CDW FOR ITA	
2	UG3290001	1	TELEPHONE LINE CORD NZ, MFC9460CDN/MFC9970CDW FOR ARL/NZ	
2	LG5827001	1	TELEPHONE LINE CORD RJ45, MFC9460CDN/MFC9465CDN/MFC9970CDW FOR PND	
3	LX4900001	1	CDROM ASSY, MFC9460CDN FOR US/CAN/BRA	chg
3	LX4901001	1	CDROM ASSY, MFC9560CDW FOR US/CAN	chg
3	LX4902001	1	CDROM ASSY, MFC9970CDW FOR US/CAN/ARG/CHL	chg
3	LX4915001	1	CDROM ASSY, DCP9055CDN FOR CHN	chg
3	LX4916001	1	CDROM ASSY, MFC9465CDN FOR CHN	chg
3	LX4911001	1	CDROM ASSY, MFC9465CDN FOR RUS	chg
3	LX4908001	1	CDROM ASSY, DCP9055CDN FOR CEE	chg
3	LX4909001	1	CDROM ASSY, DCP9270CDN FOR CEE	chg
3	LX4910001	1	CDROM ASSY, MFC9460CDN FOR GUL/CEE	chg
3	LX4912001	1	CDROM ASSY, MFC9970CDW FOR GUL/CEE	chg
3	LX4917001	1	CDROM ASSY, MFC9460CDN FOR KOR	chg
3	LX4905001	1	CDROM ASSY, MFC9460CDN EXCEPT FOR US/CAN/BRA/CEE/GUL/KOR	chg
3	LX4907001	1	CDROM ASSY, MFC9970CDW EXCEPT FOR US/CAN/ARG/CHL/GUL/CEE	chg
3	LX4906001	1	CDROM ASSY, MFC9465CDN EXCEPT FOR CHN/RUS	chg
3	LX4903001	1	CDROM ASSY, DCP9055CDN EXCEPT FOR CHN/CEE	chg
3	LX4904001	1	CDROM ASSY, DCP9270CDN EXCEPT FOR CEE, DCP9270CDN ITA CONSIP	chg
4	LX4875001	1	CD USER'S GUIDE, DCP9055CDN EXCEPT FOR CHN	add
4	LX4877001	1	CD USER'S GUIDE, DCP9270CDN FOR ALL COUNTRIES, DCP9270CDN ITA CONSIP	add
4	LX4874001	1	CD USER'S GUIDE, MFC9460CDN/MFC9560CDW FOR ALL COUNTRIES, MFC9465CDN EXCEPT FOR CHN	add
4	LX4876001	1	CD USER'S GUIDE, MFC9970CDW FOR ALL COUNTRIES	add
4	LX4376001	4	CD USER'S GUIDE, MFC9460CDN FOR US	del
4	LX4554001	4	CD USER'S GUIDE, MFC9970CDW FOR US/CAN/ARG/CHL/ASA/ARL/NZ/PND/CEE	del
4	LX4542001	4	CD USER'S GUIDE, MFC9460CDN/MFC9465CDN/MFC9560CDW FOR CAN/GER/UK/CHE/FRA/BEL/NLD/IBR	del
4	LX4553001	4	CD USER'S GUIDE, MFC9970CDW FOR GER/CHE/ITA/IBR/FRA/BEL/NLD	del
4	LX4543001	4	CD USER'S GUIDE, MFC9460CDN/MFC9465CDN FOR ITA/PND	del
4	LX4469001	4	CD USER'S GUIDE, DCP9055CDN FOR GER/UK/FRA/BEL/NLD/CHE	del
4	LX4557001	4	CD USER'S GUIDE, DCP9270CDN FOR GER/UK/CHE/ITA/IBR/FRA/BEL/NLD	del
4	LX4552001	4	CD USER'S GUIDE, MFC9970CDW FOR UK	del
4	LX4548001	4	CD USER'S GUIDE, DCP9055CDN FOR ITA/IBR/PND	del
4	LX4723001	1	CD USER'S GUIDE, DCP9055CDN FOR CHN	
4	LX4748001	1	CD USER'S GUIDE, MFC9465CDN FOR CHN	
4	LX4549001	4	CD USER'S GUIDE, DCP9055CDN FOR ARL/NZ/HK	del
4	LX4546001	4	CD USER'S GUIDE, MFC9460CDN FOR GUL/KOR	del
4	LX4544001	4	CD USER'S GUIDE, MFC9460CDN FOR BRA/ARL/NZ	del
4	LX4545001	4	CD USER'S GUIDE, MFC9460CDN/MFC9465CDN FOR RUS/CEE	del
4	LX4558001	4	CD USER'S GUIDE, DCP9270CDN FOR PND	del
4	LX4550001	4	CD USER'S GUIDE, DCP9055CDN FOR CEE	del
4	LX4559001	4	CD USER'S GUIDE, DCP9270CDN FOR CEE	del
5	LY1506001	1	DRUM CLEANING SHEET KIT	
6	LG3622001	4	TELEPHONE PLUG DUT, MFC9460CDN/MFC9465CDN/MFC9970CDW FOR FRA/BEL/NLD	del
7	LG5829001	1	TELEPHONE PLUG FIN, MFC9460CDN/MFC9465CDN/MFC9970CDW FOR PND	
8	LG5828001	1	TELEPHONE PLUG DEN, MFC9460CDN/MFC9465CDN/MFC9970CDW FOR PND	
9	LG5830001	1	TELEPHONE PLUG SWE, MFC9460CDN/MFC9465CDN/MFC9970CDW FOR PND	
10	LG6573001	1	TELEPHONE PLUG ARL, MFC9460CDN/MFC9970CDW FOR ARL	
11	XA9940051	1	STYRUS, DCP9270CDN/MFC9970CDW	
12	LJ9803001	1	USB CABLE 2.0	
12	LV1518001	4	USB CABLE 2.0 FOR KOR	DEL

16. PRINTED MATERIALS



## 16. PRINTED MATERIALS

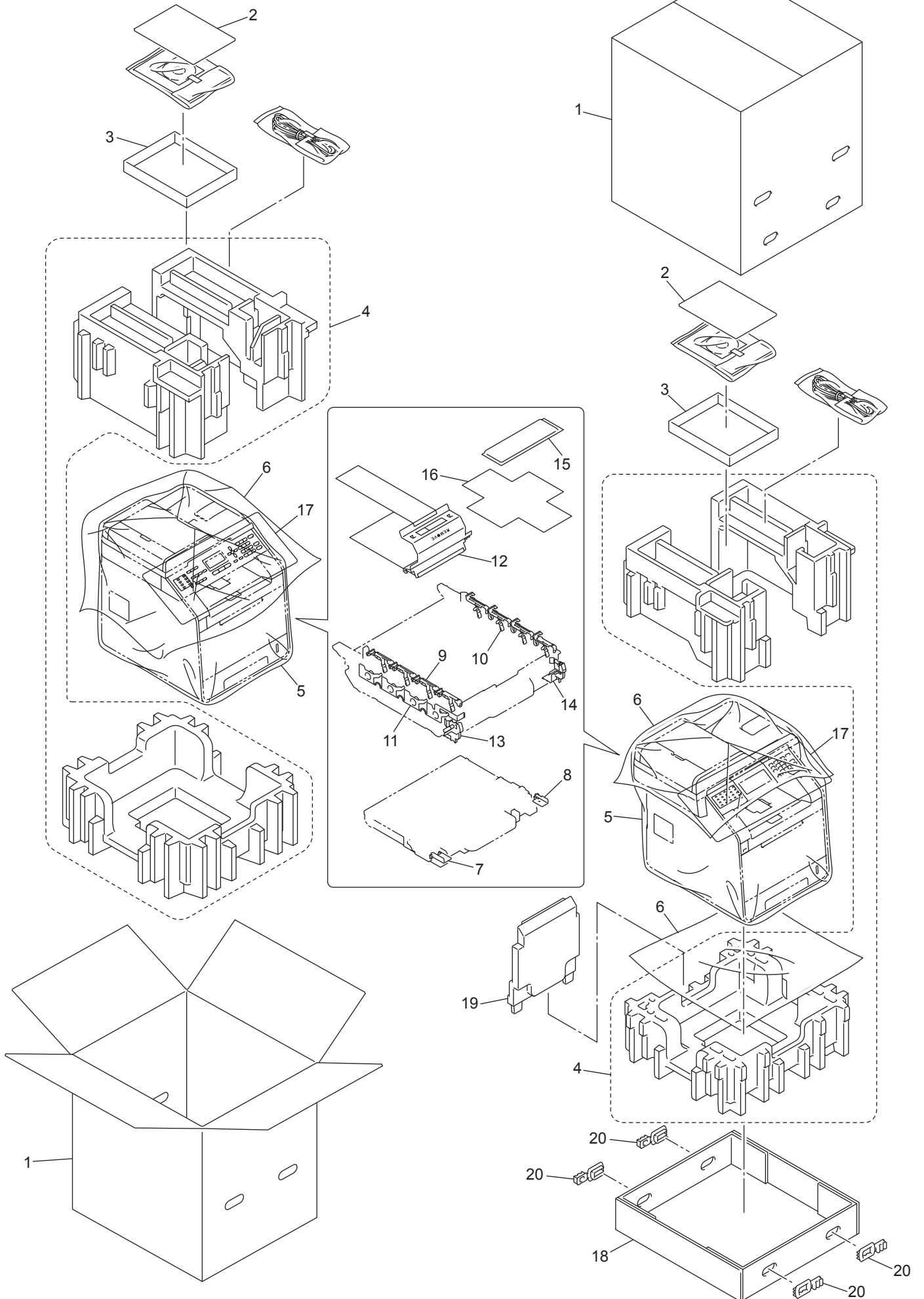
REF No.	CODE	Q'TY	DESCRIPTION	REMARKS
1	LX4374001	1	USER'S GUIDE, MFC9460CDN/MFC9560CDW FOR US/CAN (ENGLISH)	
1	LX4383001	1	USER'S GUIDE, MFC9970CDW FOR US/CAN (ENGLISH)	
1	LX4374002	1	USER'S GUIDE, MFC9460CDN/MFC9560CDW FOR CAN (FRENCH)	
1	LX4383002	1	USER'S GUIDE, MFC9970CDW FOR CAN (FRENCH)	
1	LX4692003	1	USER'S GUIDE, MFC9970CDW FOR GER/CHE (GERMAN)	
1	LX4389003	1	USER'S GUIDE, MFC9460CDN/MFC9465CDN FOR GER/CHE (GERMAN)	
1	LX4389004	1	USER'S GUIDE, MFC9460CDN/MFC9465CDN FOR UK	
1	LX4692004	1	USER'S GUIDE, MFC9970CDW FOR UK	
1	LX4389005	1	USER'S GUIDE, MFC9460CDN/MFC9465CDN FOR FRA/BEL/NLD/CHE (FRENCH)	
1	LX4389009	1	USER'S GUIDE, MFC9460CDN/MFC9465CDN FOR FRA/BEL/NLD (DUTCH)	
1	LX4692009	1	USER'S GUIDE, MFC9970CDW FOR FRA/BEL/NLD (DUTCH)	
1	LX4692005	1	USER'S GUIDE, MFC9970CDW FOR CHE/FRA/BEL/NLD (FRENCH)	
1	LX4389016	1	USER'S GUIDE, MFC9460CDN/MFC9465CDN FOR CHE/ITA (ITALIAN)	
1	LX4692015	1	USER'S GUIDE, MFC9970CDW FOR ITA/IBR (SPANISH)	
1	LX4692016	1	USER'S GUIDE, MFC9970CDW FOR CHE/ITA/IBR (ITALIAN)	
1	LX4692018	1	USER'S GUIDE, MFC9970CDW FOR ITA/IBR (PORTUGUESE)	
1	LX4401020	1	USER'S GUIDE, DCP9055CDN FOR CHN	
1	LX4397020	1	USER'S GUIDE, MFC9465CDN FOR CHN	
1	LX4383031	1	USER'S GUIDE, MFC9970CDW FOR ARG/CHL	
1	LX4392041	1	USER'S GUIDE, MFC9460CDN FOR GUL(ENGLISH)	
1	LX4389025	1	USER'S GUIDE, MFC9460CDN FOR GUL(TURKISH)	
1	LX4403040	1	USER'S GUIDE, MFC9970CDW FOR ASA/ARL/NZ	
1	LX4403041	1	USER'S GUIDE, MFC9970CDW FOR GUL (ENGLISH)	
1	LX4692025	1	USER'S GUIDE, MFC9970CDW FOR GUL (TURKISH)	
1	LX4394044	1	USER'S GUIDE, MFC9460CDN FOR KOR	
1	LX4374042	1	USER'S GUIDE, MFC9460CDN FOR BRA	
1	LX4389048	1	USER'S GUIDE, MFC9465CDN FOR RUS	
1	LX4399040	1	USER'S GUIDE, DCP9055CDN FOR ARL/NZ/HK	
1	LX4392040	1	USER'S GUIDE, MFC9460CDN FOR ARL/NZ	
1	LX4391007	1	USER'S GUIDE, MFC9460CDN/MFC9465CDN FOR PND (NORWEGIAN/SWEDISH)	
1	LX4768007	1	USER'S GUIDE, MFC9970CDW FOR PND (NORWEGIAN/SWEDISH)	
1	LX4391013	1	USER'S GUIDE, MFC9460CDN/MFC9465CDN FOR PND (DANISH/FINNISH)	
1	LX4768013	1	USER'S GUIDE, MFC9970CDW FOR PND (DANISH/FINNISH)	
1	LX4389015	1	USER'S GUIDE, MFC9460CDN/MFC9465CDN FOR IBR (SPANISH)	
1	LX4389018	1	USER'S GUIDE, MFC9460CDN/MFC9465CDN FOR IBR (PORTUGUESE)	
2	LX4375001	4	SAFETY/LEGAL BOOKLET, MFC9460CDN/MFC9560CDW FOR US/CAN (ENGLISH)	DEL
2	LX4626001	4	SAFETY/LEGAL BOOKLET, MFC9970CDW FOR US/CAN (ENGLISH)	DEL
2	LX4717001	4	SAFETY/LEGAL BOOKLET, MFC9970CDW FOR CAN (FRENCH)	DEL
2	LX4407001	4	SAFETY/LEGAL BOOKLET, MFC9460CDN/MFC9560CDW FOR CAN (FRENCH)	DEL
2	LX4465001	4	SAFETY/LEGAL BOOKLET, DCP9055CDN/MFC9460CDN/MFC9465CDN FOR GER/CHE (GERMAN)	DEL
2	LX4657001	4	SAFETY/LEGAL BOOKLET, DCP9270CDN/MFC9970CDW FOR GER/CHE (GERMAN)	DEL
2	LX4470001	4	SAFETY/LEGAL BOOKLET, DCP9055CDN/MFC9460CDN/MFC9465CDN FOR UK	DEL
2	LX4662001	4	SAFETY/LEGAL BOOKLET, DCP9270CDN/MFC9970CDW FOR UK	DEL
2	LX4479001	4	SAFETY/LEGAL BOOKLET, DCP9055CDN/MFC9460CDN/MFC9465CDN FOR FRA/BEL/NLD/CHE (FRENCH)	DEL
2	LX4669001	4	SAFETY/LEGAL BOOKLET, DCP9270CDN/MFC9970CDW FOR FRA/BEL/NLD/CHE (FRENCH)	DEL
2	LX4480001	4	SAFETY/LEGAL BOOKLET, DCP9055CDN/MFC9460CDN/MFC9465CDN FOR FRA/BEL/NLD (DUTCH)	DEL
2	LX4686001	4	SAFETY/LEGAL BOOKLET, DCP9270CDN/MFC9970CDW FOR FRA/BEL/NLD (DUTCH)	DEL
2	LX4489001	4	SAFETY/LEGAL BOOKLET, DCP9055CDN/MFC9460CDN/MFC9465CDN FOR ITA/IBR (ITALIAN)	DEL
2	LX4678001	4	SAFETY/LEGAL BOOKLET, DCP9270CDN/MFC9970CDW FOR ITA/IBR (ITALIAN)	DEL
2	LX4490001	4	SAFETY/LEGAL BOOKLET, DCP9055CDN/MFC9460CDN/MFC9465CDN FOR ITA/IBR (SPANISH)	DEL
2	LX4679001	4	SAFETY/LEGAL BOOKLET, DCP9270CDN/MFC9970CDW FOR ITA/IBR/ARG/CHL (SPANISH)	DEL
2	LX4491001	4	SAFETY/LEGAL BOOKLET, DCP9055CDN/MFC9460CDN/MFC9465CDN FOR ITA/IBR (PORTUGUESE)	DEL
2	LX4680001	4	SAFETY/LEGAL BOOKLET, DCP9270CDN/MFC9970CDW FOR ITA/IBR (PORTUGUESE)	DEL
2	LX4788001	4	SAFETY/LEGAL BOOKLET, DCP9055CDN/MFC9465CDN FOR CHN	DEL
2	LX4839001	4	SAFETY/LEGAL BOOKLET, MFC9970CDW FOR ASA/ARL/NZ	DEL
2	LY1209001	4	SAFETY/LEGAL BOOKLET, MFC9460CDN FOR BRA	DEL
2	LX4784001	4	SAFETY/LEGAL BOOKLET, MFC9465CDN FOR RUS	DEL
2	LX4631001	4	SAFETY/LEGAL BOOKLET, DCP9055CDN/MFC9460CDN FOR GUL/ARL/NZ(ENGLISH)	DEL
2	LX4805001	4	SAFETY/LEGAL BOOKLET, MFC9460CDN FOR GUL(TURKISH)	DEL
2	LY1227001	4	SAFETY/LEGAL BOOKLET, MFC9460CDN FOR KOR	DEL
2	LX4697001	4	SAFETY/LEGAL BOOKLET, DCP9055CDN/MFC9460CDN/MFC9465CDN FOR PND	DEL
2	LX4764001	4	SAFETY/LEGAL BOOKLET, DCP9270CDN/MFC9970CDW FOR PND	DEL
2	LX4739001	4	SAFETY/LEGAL BOOKLET, DCP9055CDN/MFC9460CDN FOR CEE	DEL
3	LX4386001	1	FRENCH PANEL STICKER, MFC9460CDN FOR CAN	
3	LX4387001	1	FRENCH PANEL STICKER, MFC9560CDW FOR CAN	
3	LX4388001	1	FRENCH PANEL STICKER, MFC9970CDW FOR CAN	

8CE301/8CE306/8CE313/  
8CE314/8CE315/8CE317DCP9055CDN/DCP9270CDN/MFC9460CDN/  
MFC9465CDN/MFC9560CDW/MFC9970CDW

17.PACKING MATERIALS

<DCP9055CDN/MFC9460CDN/MFC9465CDN/MFC9560CDW>

<DCP9270CDN/MFC9970CDW>



17. PACKING MATERIALS

REF No.	CODE	Q'TY	DESCRIPTION	REMARKS
1	LX4378001	1	CARTON BROTHER, MFC9460CDN FOR US	
1	LX4410001	1	CARTON BROTHER, MFC9560CDW FOR US	
1	LX4415001	1	CARTON BROTHER, MFC9970CDW FOR US	
1	LX4407001	1	CARTON BROTHER, MFC9460CDN FOR CAN	
1	LX4413001	1	CARTON BROTHER, MFC9560CDW FOR CAN	
1	LX4419001	1	CARTON BROTHER, MFC9970CDW FOR CAN	
1	LX4659001	1	CARTON BROTHER, DCP9270CDN, <del>DCP9270CDN</del> ITA CONSIP	
1	LX4895001	1	CARTON BROTHER, DCP9270CDN ITA CONSIP	add
1	LX4467001	1	CARTON BROTHER, DCP9055CDN FOR GER/UK/CHE/ITA/IBR/FRA/BEL/NLD/PND/CEE	
1	LX4502001	1	CARTON BROTHER, MFC9460CDN FOR GER/UK/CHE/ITA/IBR/FRA/BEL/NLD/PND/CEE	
1	LX4572001	1	CARTON BROTHER, MFC9465CDN FOR GER/UK/CHE/ITA/IBR/RUS/FRA/BEL/NLD/PND	
1	LX4693001	1	CARTON BROTHER, MFC9970CDW FOR GER/UK/CHE/ITA/IBR/FRA/BEL/NLD/PND/CEE	
1	LX4653001	1	CARTON BROTHER, DCP9055CDN FOR CHN	
1	LX4654001	1	CARTON BROTHER, MFC9465CDN FOR CHN	
1	LX4421001	1	CARTON BROTHER, MFC9970CDW FOR ARG/CHL	
1	LX4840001	1	CARTON BROTHER, MFC9970CDW FOR ASA	
1	LX4870001	1	CARTON BROTHER, MFC9970CDW FOR GUL	
1	LX4409001	1	CARTON BROTHER, MFC9460CDN FOR BRA	
1	LX4643001	1	CARTON BROTHER, MFC9460CDN FOR GUL	
1	LX4810001	1	CARTON BROTHER, MFC9460CDN FOR KOR	
1	LX4632001	1	CARTON BROTHER, DCP9055CDN FOR ARL/NZ/HK	
1	LX4640001	1	CARTON BROTHER, MFC9460CDN FOR ARL/NZ	
1	LX4849001	1	CARTON BROTHER, MFC9970CDW FOR ARL/NZ	
2	LX4371001	1	QUICK SETUP GUIDE, MFC9460CDN FOR US/CAN (ENGLISH)	
2	LX4384001	1	QUICK SETUP GUIDE, MFC9560CDW FOR US/CAN (ENGLISH)	
2	LX4864001	1	QUICK SETUP GUIDE, MFC9970CDW FOR US/CAN (ENGLISH)	
2	LX4371002	1	QUICK SETUP GUIDE, MFC9460CDN FOR CAN (FRENCH)	
2	LX4384002	1	QUICK SETUP GUIDE, MFC9560CDW FOR CAN (FRENCH)	
2	LX4385002	1	QUICK SETUP GUIDE, MFC9970CDW FOR CAN (FRENCH)	
2	LX4466003	1	QUICK SETUP GUIDE, DCP9055CDN FOR GER/CHE (GERMAN)	
2	LX4390003	1	QUICK SETUP GUIDE, MFC9460CDN/MFC9465CDN FOR GER/CHE (GERMAN)	
2	LX4661003	1	QUICK SETUP GUIDE, DCP9270CDN FOR GER/CHE (GERMAN)	
2	LX4694003	1	QUICK SETUP GUIDE, MFC9970CDW FOR GER/CHE (GERMAN)	
2	LX4466004	1	QUICK SETUP GUIDE, DCP9055CDN FOR UK	
2	LX4661004	1	QUICK SETUP GUIDE, DCP9270CDN FOR UK	
2	LX4694004	1	QUICK SETUP GUIDE, MFC9970CDW FOR UK	
2	LX4390004	1	QUICK SETUP GUIDE, MFC9460CDN/MFC9465CDN FOR UK	
2	LX4466005	1	QUICK SETUP GUIDE, DCP9055CDN FOR FRA/BEL/NLD/CHE (FRENCH)	
2	LX4661005	1	QUICK SETUP GUIDE, DCP9270CDN FOR FRA/BEL/NLD/CHE (FRENCH)	
2	LX4390005	1	QUICK SETUP GUIDE, MFC9460CDN/MFC9465CDN FOR FRA/BEL/NLD/CHE (FRENCH)	
2	LX4694005	1	QUICK SETUP GUIDE, MFC9970CDW FOR FRA/BEL/NLD/CHE (FRENCH)	
2	LX4466009	1	QUICK SETUP GUIDE, DCP9055CDN FOR FRA/BEL/NLD (DUTCH)	
2	LX4661009	1	QUICK SETUP GUIDE, DCP9270CDN FOR FRA/BEL/NLD (DUTCH)	
2	LX4390009	1	QUICK SETUP GUIDE, MFC9460CDN/MFC9465CDN FOR FRA/BEL/NLD (DUTCH)	
2	LX4694009	1	QUICK SETUP GUIDE, MFC9970CDW FOR FRA/BEL/NLD (DUTCH)	
2	LX4466015	1	QUICK SETUP GUIDE, DCP9055CDN FOR ITA/IBR (SPANISH)	
2	LX4661015	1	QUICK SETUP GUIDE, DCP9270CDN FOR ITA/IBR, DCP9270CDN ITA CONSIP (SPANISH)	
2	LX4390015	1	QUICK SETUP GUIDE, MFC9460CDN/9465CDN FOR IBR (SPANISH)	
2	LX4694015	1	QUICK SETUP GUIDE, MFC9970CDW FOR ITA/IBR (SPANISH)	
2	LX4466016	1	QUICK SETUP GUIDE, DCP9055CDN FOR CHE/ITA/IBR (ITALIAN)	
2	LX4661016	1	QUICK SETUP GUIDE, DCP9270CDN FOR CHE/ITA/IBR, DCP9270CDN ITA CONSIP (ITALIAN)	
2	LX4390016	1	QUICK SETUP GUIDE, MFC9460CDN/MFC9465CDN FOR CHE/ITA (ITALIAN)	
2	LX4694016	1	QUICK SETUP GUIDE, MFC9970CDW FOR CHE/ITA/IBR (ITALIAN)	
2	LX4466018	1	QUICK SETUP GUIDE, DCP9055CDN FOR ITA/IBR (PORTUGUESE)	
2	LX4661018	1	QUICK SETUP GUIDE, DCP9270CDN FOR ITA/IBR, DCP9270CDN ITA CONSIP (PORTUGUESE)	
2	LX4390018	1	QUICK SETUP GUIDE, MFC9460CDN/9465CDN FOR IBR (PORTUGUESE)	
2	LX4694018	1	QUICK SETUP GUIDE, MFC9970CDW FOR ITA/IBR (PORTUGUESE)	
2	LX4402020	1	QUICK SETUP GUIDE, DCP9055CDN FOR CHN	
2	LX4398020	1	QUICK SETUP GUIDE, MFC9465CDN FOR CHN	
2	LX4385031	1	QUICK SETUP GUIDE, MFC9970CDW FOR ARG/CHL	
2	LX4393041	1	QUICK SETUP GUIDE, MFC9460CDN FOR GUL (ENGLISH)	
2	LX4390025	1	QUICK SETUP GUIDE, MFC9460CDN FOR GUL (TURKISH)	
2	LX4395044	1	QUICK SETUP GUIDE, MFC9460CDN FOR KOR	
2	LX4371042	1	QUICK SETUP GUIDE, MFC9460CDN FOR BRA	
2	LX4390048	1	QUICK SETUP GUIDE, MFC9465CDN FOR RUS	
2	LX4400040	1	QUICK SETUP GUIDE, DCP9055CDN FOR ARL/NZ/HK	
2	LX4393040	1	QUICK SETUP GUIDE, MFC9460CDN FOR ARL/NZ	
2	LX4404040	1	QUICK SETUP GUIDE, MFC9970CDW FOR ASA/ARL/NZ	
2	LX4404041	1	QUICK SETUP GUIDE, MFC9970CDW FOR GUL (ENGLISH)	
2	LX4694025	1	QUICK SETUP GUIDE, MFC9970CDW FOR GUL (TURKISH)	
2	LX4466007	1	QUICK SETUP GUIDE, DCP9055CDN FOR PND (NORWEGIAN)	
2	LX4390007	1	QUICK SETUP GUIDE, MFC9460CDN/MFC9465CDN FOR PND (NORWEGIAN)	
2	LX4661007	1	QUICK SETUP GUIDE, DCP9270CDN FOR PND (NORWEGIAN)	
2	LX4694007	1	QUICK SETUP GUIDE, MFC9970CDW FOR PND (NORWEGIAN)	

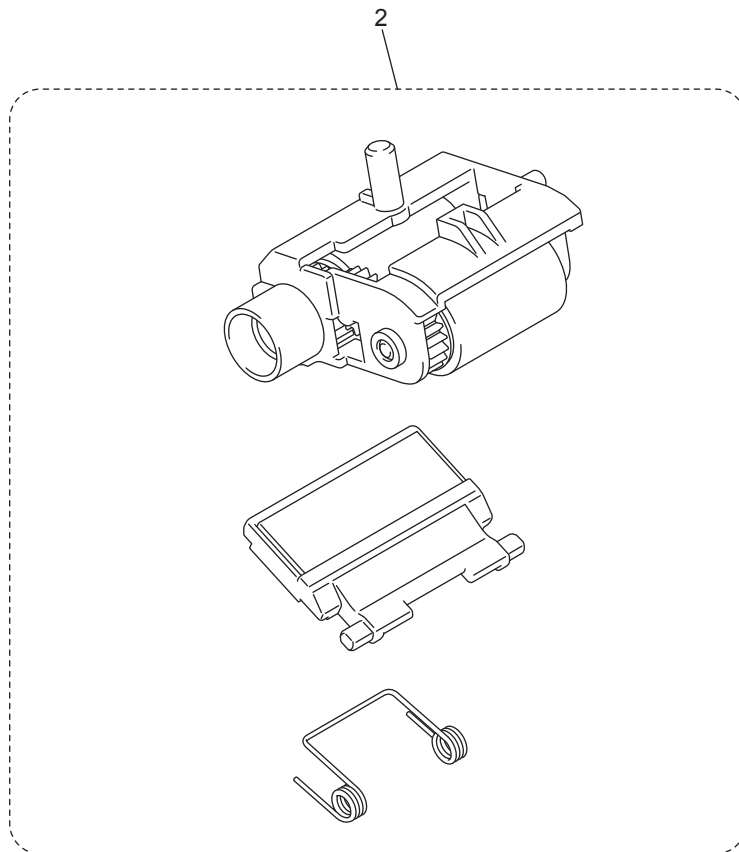
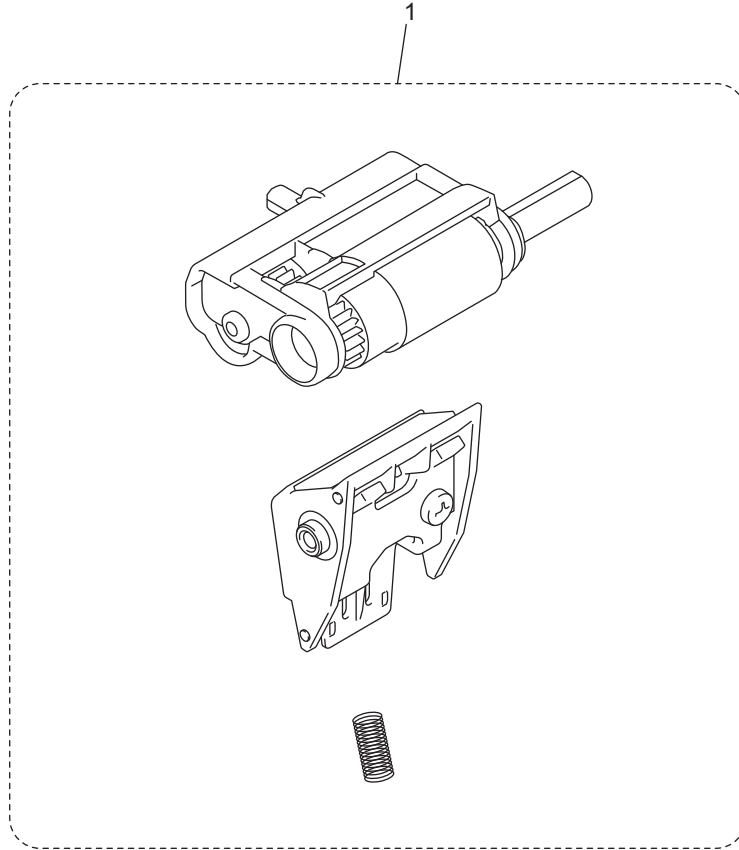
17. PACKING MATERIALS

REF No.	CODE	Q'TY	DESCRIPTION	REMARKS
2	LX4466012	1	QUICK SETUP GUIDE, DCP9055CDN FOR PND (FINNISH)	
2	LX4390012	1	QUICK SETUP GUIDE, MFC9460CDN/MFC9465CDN FOR PND (FINNISH)	
2	LX4661012	1	QUICK SETUP GUIDE, DCP9270CDN FOR PND (FINNISH)	
2	LX4694012	1	QUICK SETUP GUIDE, MFC9970CDW FOR PND (FINNISH)	
2	LX4466013	1	QUICK SETUP GUIDE, DCP9055CDN FOR PND (DANISH)	
2	LX4390013	1	QUICK SETUP GUIDE, MFC9460CDN/MFC9465CDN FOR PND (DANISH)	
2	LX4661013	1	QUICK SETUP GUIDE, DCP9270CDN FOR PND (DANISH)	
2	LX4694013	1	QUICK SETUP GUIDE, MFC9970CDW FOR PND (DANISH)	
2	LX4466026	1	QUICK SETUP GUIDE, DCP9055CDN FOR PND (SWEDISH)	
2	LX4390026	1	QUICK SETUP GUIDE, MFC9460CDN/MFC9465CDN FOR PND (SWEDISH)	
2	LX4661026	1	QUICK SETUP GUIDE, DCP9270CDN FOR PND (SWEDISH)	
2	LX4694026	1	QUICK SETUP GUIDE, MFC9970CDW FOR PND (SWEDISH)	
2	LX4466037	1	QUICK SETUP GUIDE, DCP9055CDN FOR CEE (CZECH/HUNGARIAN/POLISH/ENGLISH)	
2	LX4661037	1	QUICK SETUP GUIDE, DCP9270CDN FOR CEE (CZECH/HUNGARIAN/POLISH/ENGLISH)	
2	LX4390037	1	QUICK SETUP GUIDE, MFC9460CDN FOR CEE (CZECH/HUNGARIAN/POLISH/ENGLISH)	
2	LX4694037	1	QUICK SETUP GUIDE, MFC9970CDW FOR CEE (CZECH/HUNGARIAN/POLISH/ENGLISH)	
2	LX4466059	1	QUICK SETUP GUIDE, DCP9055CDN FOR CEE (BULGARIAN/ROMANIAN/SLOVAK)	
2	LX4661059	1	QUICK SETUP GUIDE, DCP9270CDN FOR CEE (BULGARIAN/ROMANIAN/SLOVAK)	
2	LX4390059	1	QUICK SETUP GUIDE, MFC9460CDN FOR CEE (BULGARIAN/ROMANIAN/SLOVAK)	
2	LX4694059	1	QUICK SETUP GUIDE, MFC9970CDW FOR CEE (BULGARIAN/ROMANIAN/SLOVAK)	
3	LS8129001	1	CARTON OPTION, DCP9055DN/MFC9460CDN/MFC9465CDN/MFC9560CDW	
3	LX4289001	1	CARTON OPTION, DCP9270CDN/MFC9970CDW, DCP9270CDN ITA CONSIP	
4	LX4150001	1	PAD ASSY, DCP9055DN/MFC9460CDN/MFC9465CDN/MFC9560CDW	
4	LX4285001	1	PAD ASSY, DCP9270CDN/MFC9970CDW, DCP9270CDN ITA CONSIP	
5	LX4625001	1	BAG 1100X1200	
6	LX4635001	1	SHEET 900X900	
7	LY0908001	1	CLEANER LOCK L	
8	LY0909001	1	CLEANER LOCK R	
9	LY0896001	1	DEVELOP SPACER L (ORANGE PACKING PIECE)	
10	LY0897001	1	DEVELOP SPACER R (ORANGE PACKING PIECE)	
11	LY0898001	1	DEVELOP STOPPER (ORANGE PACKING PIECE)	
12	LX4798001	1	REMOVE SHEET BCFB ASSY (ORANGE PACKING MATERIAL)	chg
13	LY0903001	1	DRUM STOPPER L (ORANGE PACKING PIECE)	
14	LY0904001	1	DRUM STOPPER R (ORANGE PACKING PIECE)	
15	LY1679001	1	SILICA GEL PACK EXCEPT FOR US/CAN/ARG/CHL/BRA	CHG
15	LY1678001	1	SILICA GEL PACK FOR US/CAN/ARG/CHL/BRA	CHG
16	<del>LY1395001</del>	4	<del>SILICA GEL SHEET EXCEPT FOR MFC-9460CDN FOR KOR</del>	DEL
16	LR2296001	1	SILICA GEL SHEET	add
17	LX4633001	1	SHEET 550X650, DCP9055CDN/MFC9460CDN/MFC9465CDN/MFC9560CDW	
17	LX4730001	1	SHEET 550X650, DCP9270CDN/MFC9970CDW, DCP9270CDN ITA CONSIP	
18	LX4284001	1	CARTON BOTTOM, DCP9270CDN/MFC9970CDW, DCP9270CDN ITA CONSIP	
19	LX4372001	1	POLYSTYRENE PAD BACK, DCP9270CDN/MFC9970CDW, DCP9270CDN ITA CONSIP	
20	LS1177001	4	CARTON JOINT CHP, DCP9270CDN/MFC9970CDW, DCP9270CDN ITA CONSIP	

<sup>1</sup> Q'TY; 1 for DCP9055CDN/MFC9460CDN/MFC9465CDN/MFC9560CDW  
2 for DCP9270CDN/MFC9970CDW



18.PERIODICAL MAINTENANCE PARTS



18.PERIODICAL MAINTENANCE PARTS

REF No.	CODE	Q'TY	DESCRIPTION	REMARKS
1	LY1257001	1	PAPER FEEDING KIT (SP)	
2	LY1260001	1	MP PAPER FEEDING KIT 1 (SP)	