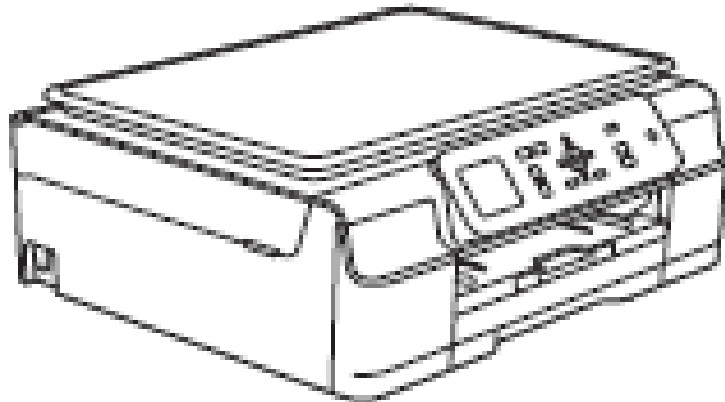




Inkjet MFC

PARTS REFERENCE LIST

**MODEL: DCP-J100/J105
J132W/J152W/J172W
MFC-J200/J245**



Read this list thoroughly before maintenance work.

Keep this list in a convenient place for quick and easy reference at all times.

NOTE FOR USING THIS PARTS REFERENCE LIST

1. In the case of ordering parts, it is necessary to mention the following items;

- (1) Code
- (2) Q'ty
- (3) Description

Note: Orders without Parts Code or Tool No. can not be accepted.

< Example >

REF.NO.	(1) CODE	(2) Q'TY	(3) DESCRIPTION	REMARK

2. Design-changed parts :

If any of the parts is changed, one of the following symbols is indicated in the REMARK column.

CHG(chg) : The parts is changed to a new parts.

ADD(add) : The parts is newly added.

DEL(del) : The parts is deleted.

Symbol in capital letters indicates the latest parts change information in the page.

3. Parts change will be informed by the Parts change information.

4. Parts are subject to change in design without prior notice.

COUNTRIES AND AREAS

US ---- U.S.A.

GER ---- GERMANY

UK ---- UNITED KINGDOM

FRA ---- FRANCE

CHE ---- SWITZERLAND

ITA ---- ITALY

ISR ---- ISRAEL

IDN ---- INDONESIA

ARG ---- ARGENTINA

CHL ---- CHILE

ASA ---- ASIA (SINGAPORE/GULF)

IND ---- INDIA

MEX ---- MEXICO

RUS ---- RUSSIA

OCE ---- OCEANIA

(AUSTRALIA/NEW ZEALAND)

PND ---- PAN-NORDIC

(NORWAY/FINLAND/DENMARK/SWEDEN)

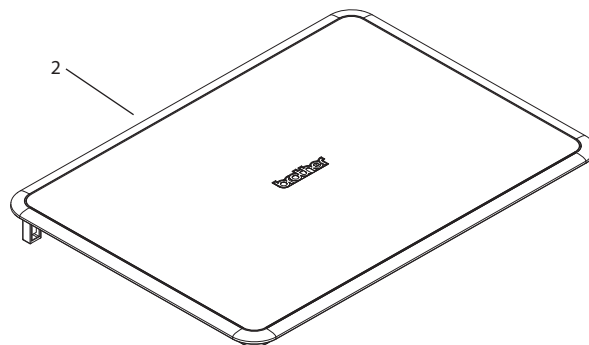
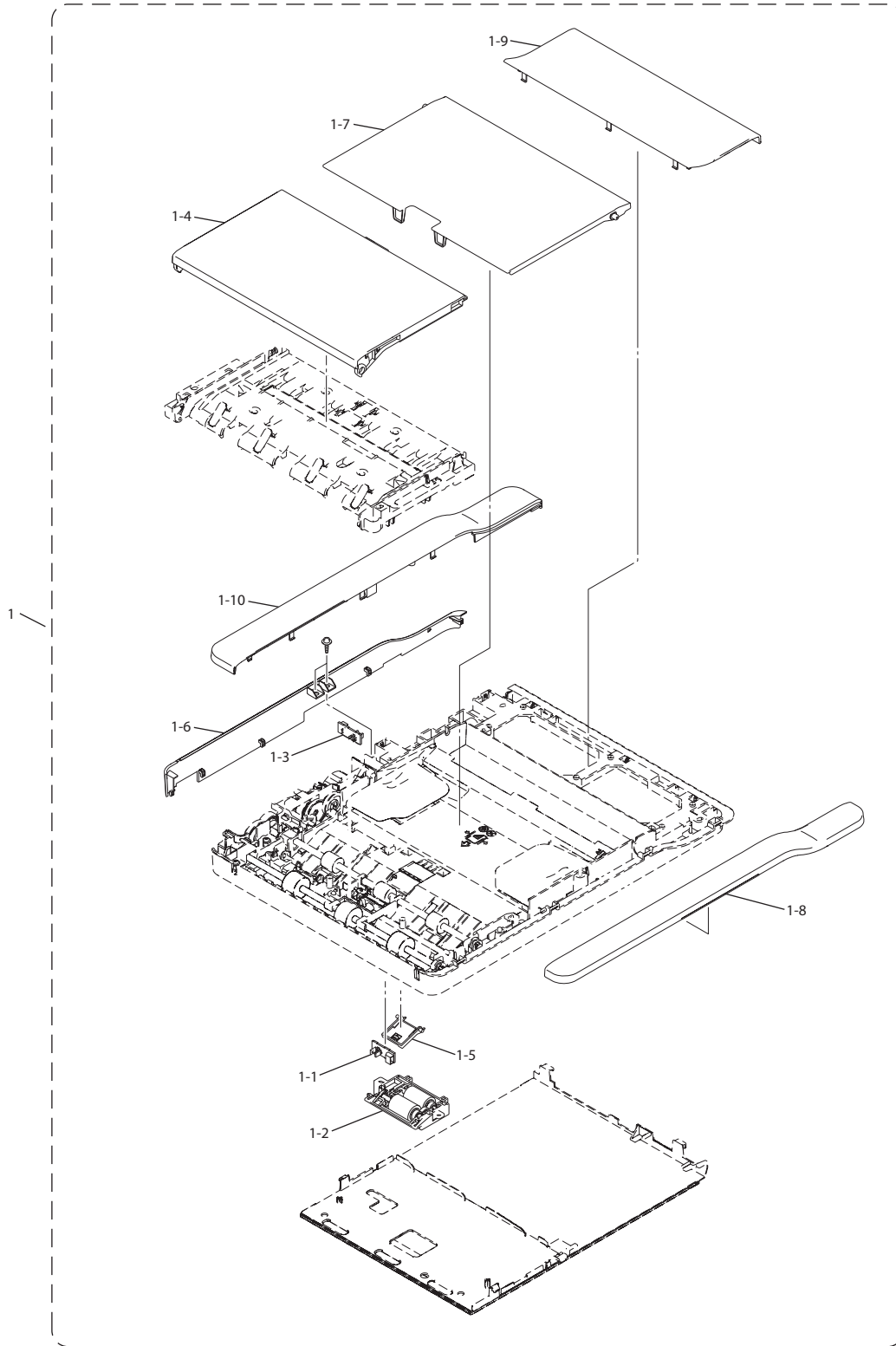
IBR ---- IBERIA

CEE ---- CEE GENERAL

CONTENTS

1.	<u>ADF & DOCUMENT COVER ASSY</u>	1
2.	<u>DOCUMENT SCANNER</u>	3
3.	<u>CARTRIDGE CASE</u>	5
4.	<u>ENGINE</u>	7
5.	<u>HEAD</u>	9
6.	<u>PAPER TRAY</u>	11
7.	<u>COVERS & LABELS</u>	13
8.	<u>PANEL</u>	15
9.	<u>PCB</u>	18
10.	<u>ACCESSORIES</u>	20
11.	<u>PRINTED MATERIALS</u>	22
12.	<u>PACKING MATERIALS</u>	25
13.	<u>OTHERS</u>	27

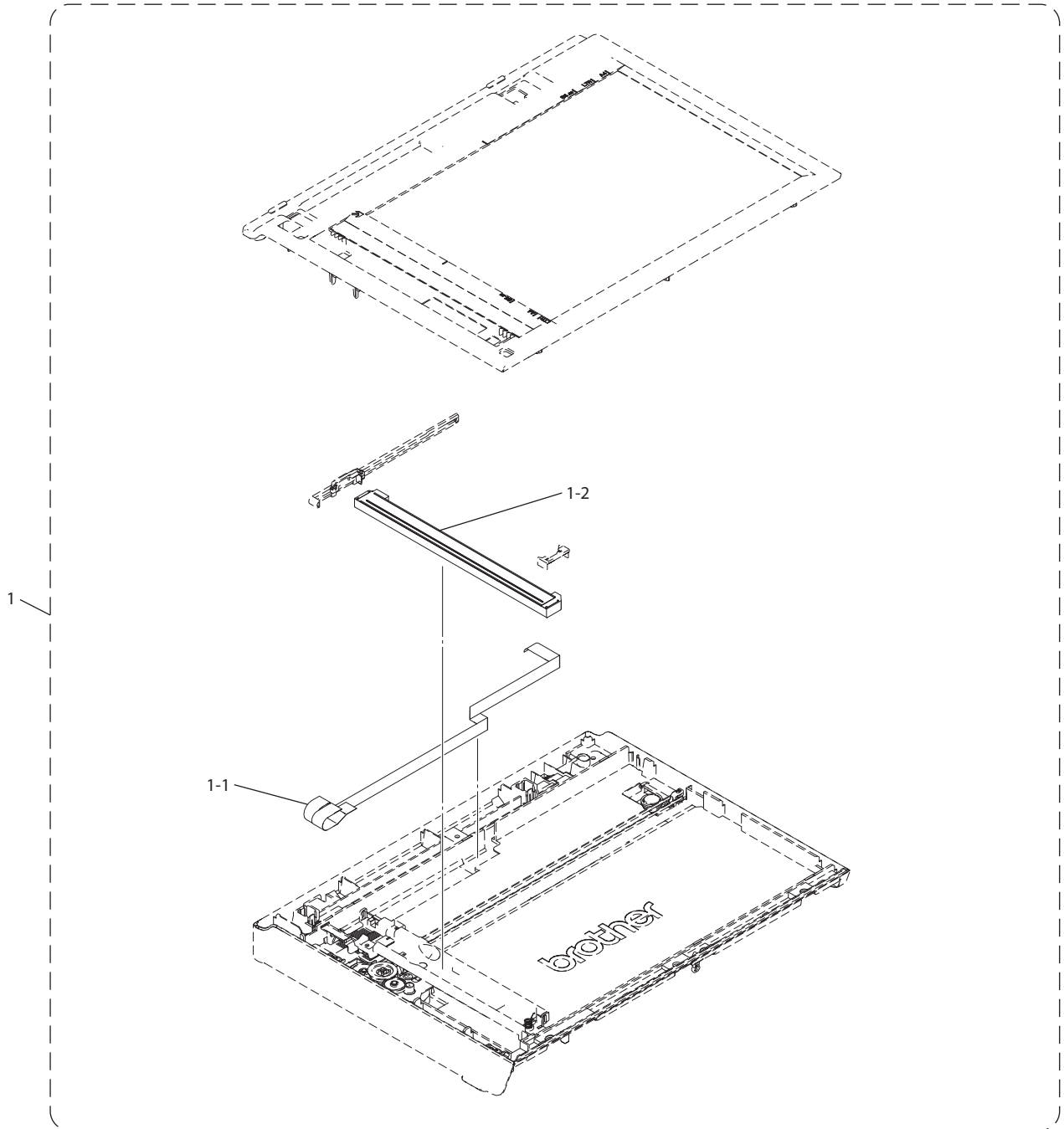
1. ADF & DOCUMENT COVER ASSY



1. ADF & DOCUMENT COVER ASSY

REF No.	CODE	Q'TY	DESCRIPTION	REMARKS
1	LEL746001	1	ADF UNIT (SP), MFC-J200/J245	
1-1	LG6753001	1	DOCUMENT DETECTION SENSOR PCB, MFC-J200/J245	
1-2	LEG765001	1	DOCUMENT SEPARATE ROLLER ASSY, MFC-J200/J245	
1-3	LG6753001	1	DOCUMENT SCANNING POSITION SENSOR PCB, MFC-J200/J245	
1-4	LEK171001	1	ADF COVER ASSY, MFC-J200/J245	
1-5	LEK796001	1	ADF SEPARATION PAD HOLDER ASSY, MFC-J200/J245	
1-6	LEG798007	1	ADF BACK COVER, MFC-J200/J245	
1-7	LEK077007	1	ADF DOCUMENT SUPPORT, MFC-J200/J245	
1-8	LEG801007	1	ADF TOP COVER FRONT, MFC-J200/J245	
1-9	LEG802007	1	ADF TOP COVER CENTER, MFC-J200/J245	
1-10	LEG803007	1	ADF TOP COVER REAR, MFC-J200/J245	
2	LEL417001	1	DOCUMENT COVER ASSY (SP), DCP-J100/J105/132W/J152W/J172W	

2. DOCUMENT SCANNER

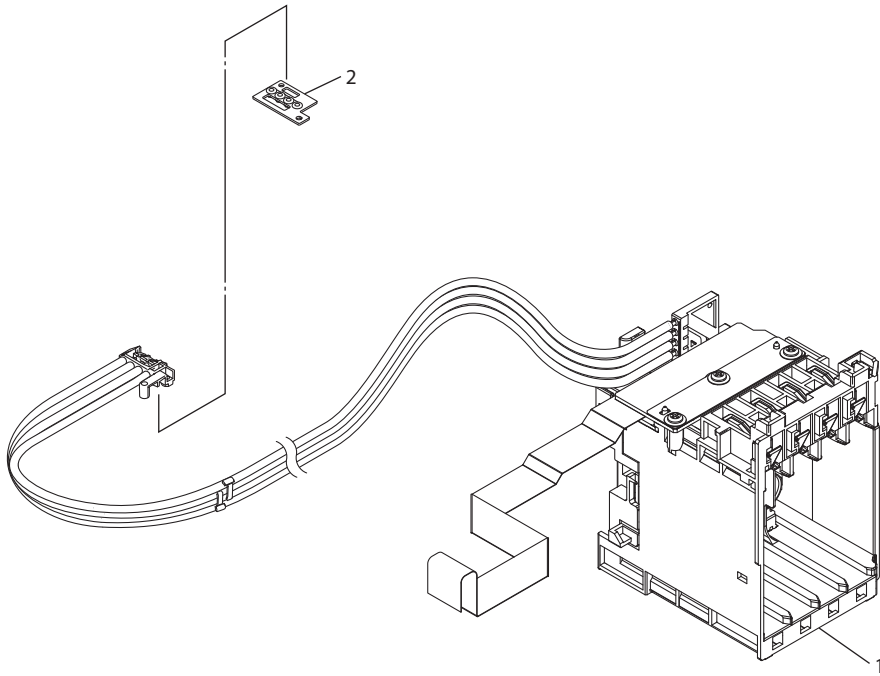


2. DOCUMENT SCANNER

REF No.	CODE	Q'TY	DESCRIPTION	REMARKS
1	LET476001	1	DOCUMENT SCANNER UNIT (SP), DCP-J100/J105/J132W/J152W/J172W*	CHG
1	LET572001	1	DOCUMENT SCANNER UNIT (SP), MFC-J200/J245*	CHG
1-1	LT2411001	1	CIS FLAT CABLE	
1-2	LT3291001	1	CIS UNIT*, MFC-J245	CHG

* If you replace the old part with the new one, please upgrade the firmware version.
 Please refer to Parts Change Information; 1000041854 for the detail.

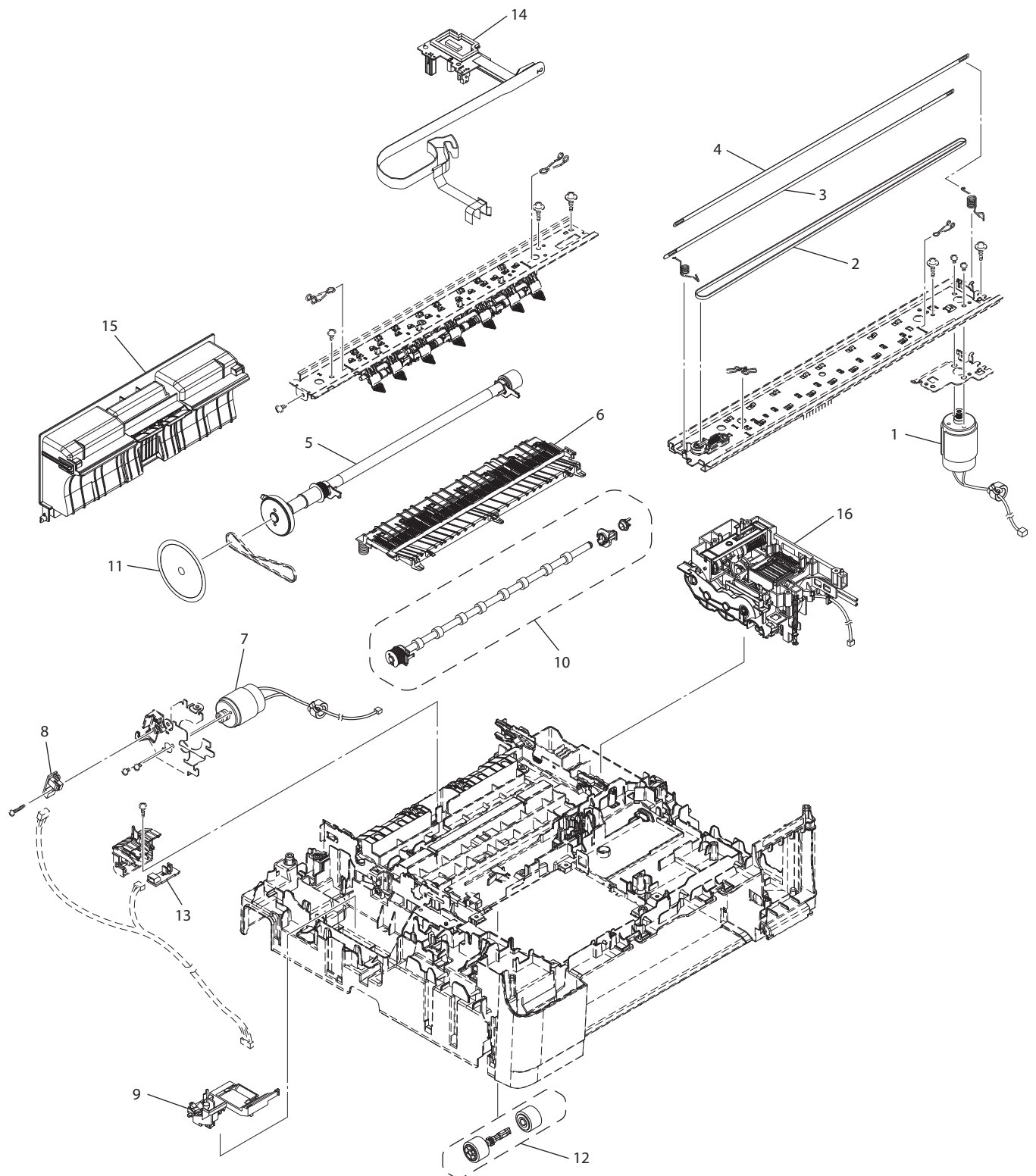
3. CARTRIDGE CASE



3. CARTRIDGE CASE

REF No.	CODE	Q'TY	DESCRIPTION	REMARKS
1	LET012001	1	INK REFILL ASSY (SP), DCP-J100/J105/MFC-J200	
1	LEL411001	1	INK REFILL ASSY (SP), DCP-J132W/J152W/J172W/MFC-J245	
2	LK5793001	1	HEAD JOINT RUBBER (SP)	

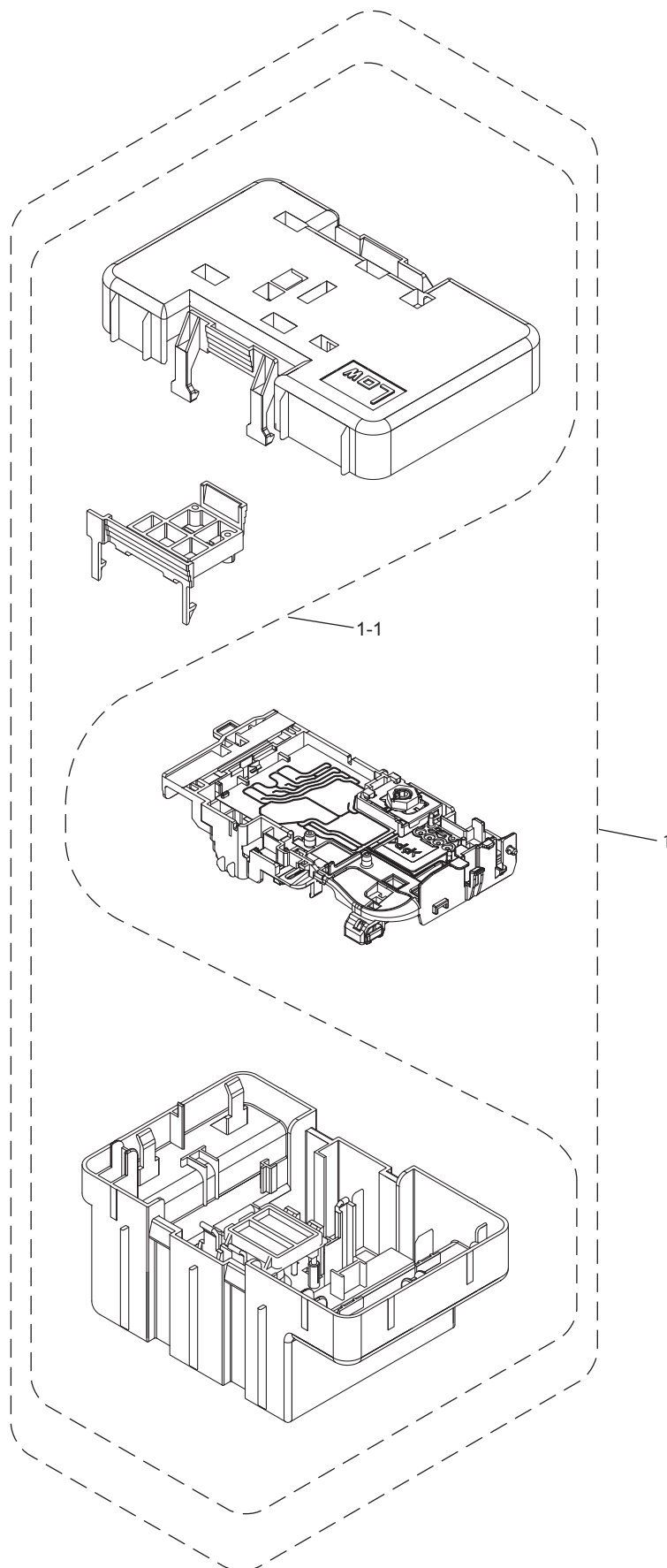
4. ENGINE



4. ENGINE

REF No.	CODE	Q'TY	DESCRIPTION	REMARKS
1	LEK506001	1	CARRIAGE MOTOR ASSY	
2	LX6677001	1	CR TIMING BELT	
3	LX6678001	1	CR ENCODER STRIP	
4	LX6679001	1	ENCODER STRIP GUARD FILM	
5	LEL887001	1	PAPER FEED ROLLER (SP)	
6	LEK409001	1	PLATEN ASSY	
7	LEK414001	1	PAPER FEED MOTOR	
8	LT1509002	1	PF ENCODER SENSOR PCB ASSY	
9	LEK417001	1	FLUSHING BASE	
10	LEK402001	1	PAPER EJECTION ROLLER ASSY (SP)	
11	LP1471001	1	PF ENCODER DISK	
12	LEK558001	1	PAPER PULL-IN ROLLER	
13	LT2644001	1	REGISTRATION SENSOR PCB ASSY	
14	LEL410001	1	CARRIAGE PCB ASSY (SP)	
15	LEK438001	1	JAM CLEAR COVER	
16	LEL412001	1	MAINTENANCE UNIT (SP)	

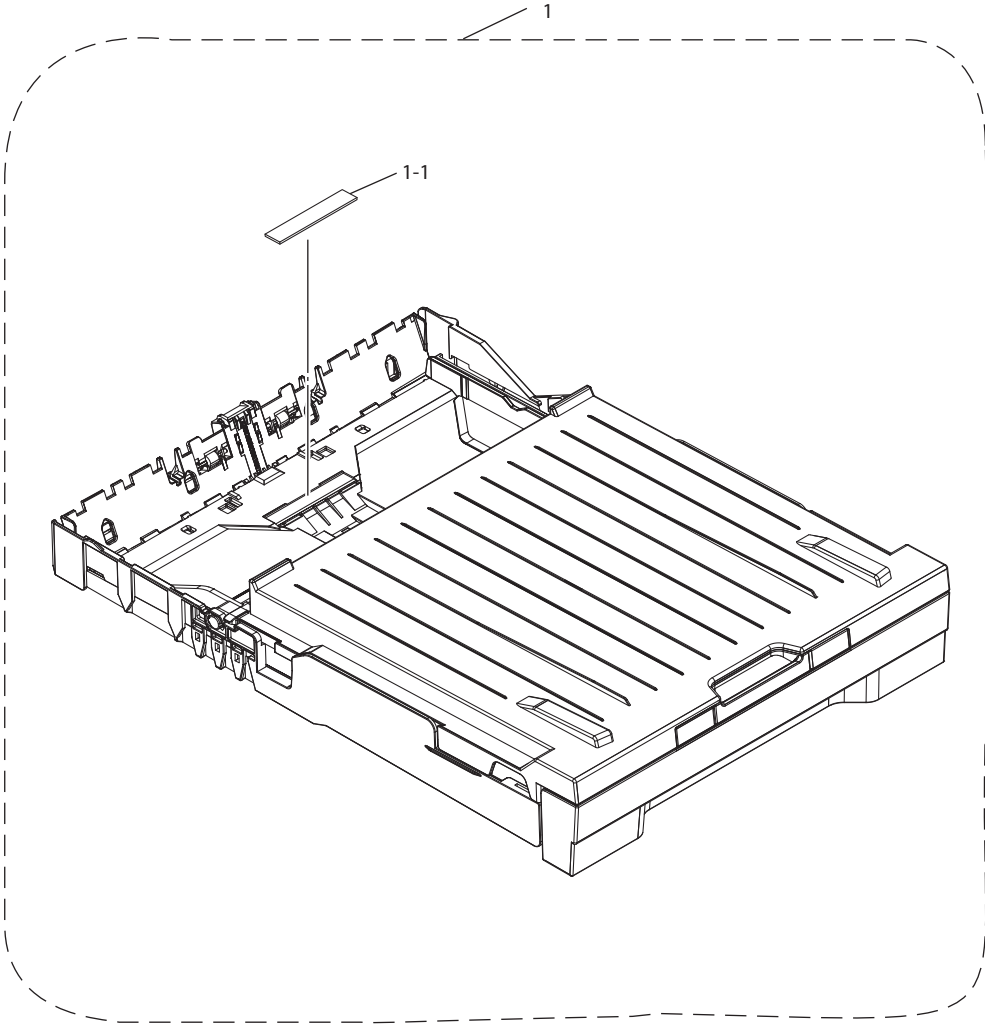
5. HEAD



5. HEAD

REF No.	CODE	Q'TY	DESCRIPTION	REMARKS
1	LK7633001	1	HEAD/CARRIAGE UNIT (SP)	
1-1	LK7640001	1	PROTECTOR SUPPLY ASSY (SP)	

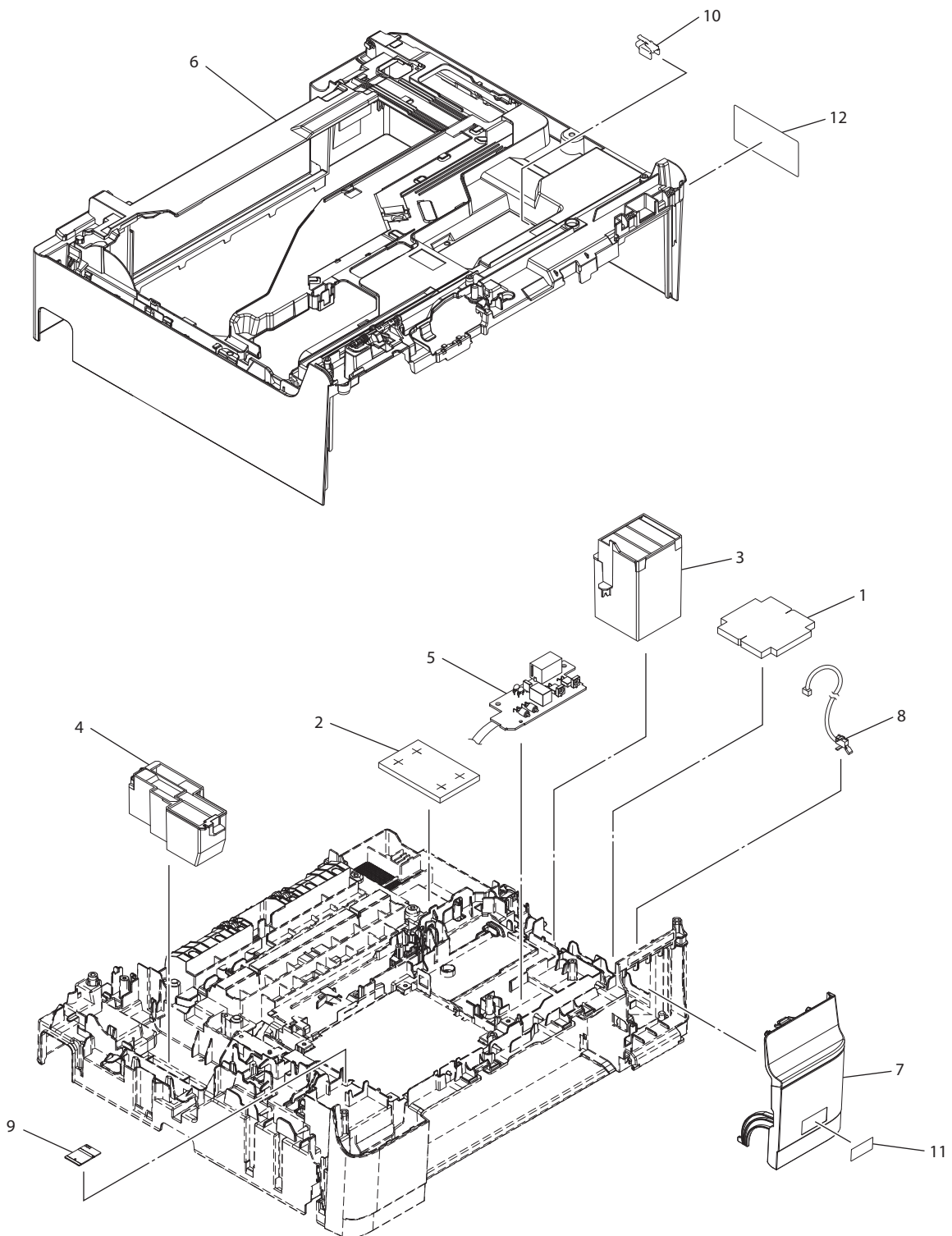
6. PAPER TRAY



6. PAPER TRAY

REF No.	CODE	Q'TY	DESCRIPTION	REMARKS
1	LER689001	1	PAPER TRAY ASSY #1 (SP) FOR US/IDN/ARG/CHL/ASA/IND/MEX	
1	LER687001	1	PAPER TRAY ASSY #1 (SP) EXCEPT FOR US/IDN/ARG/CHL/ASA/IND/MEX	
1-1	LP1575001	1	BASE PAD W	

7. COVERS & LABELS

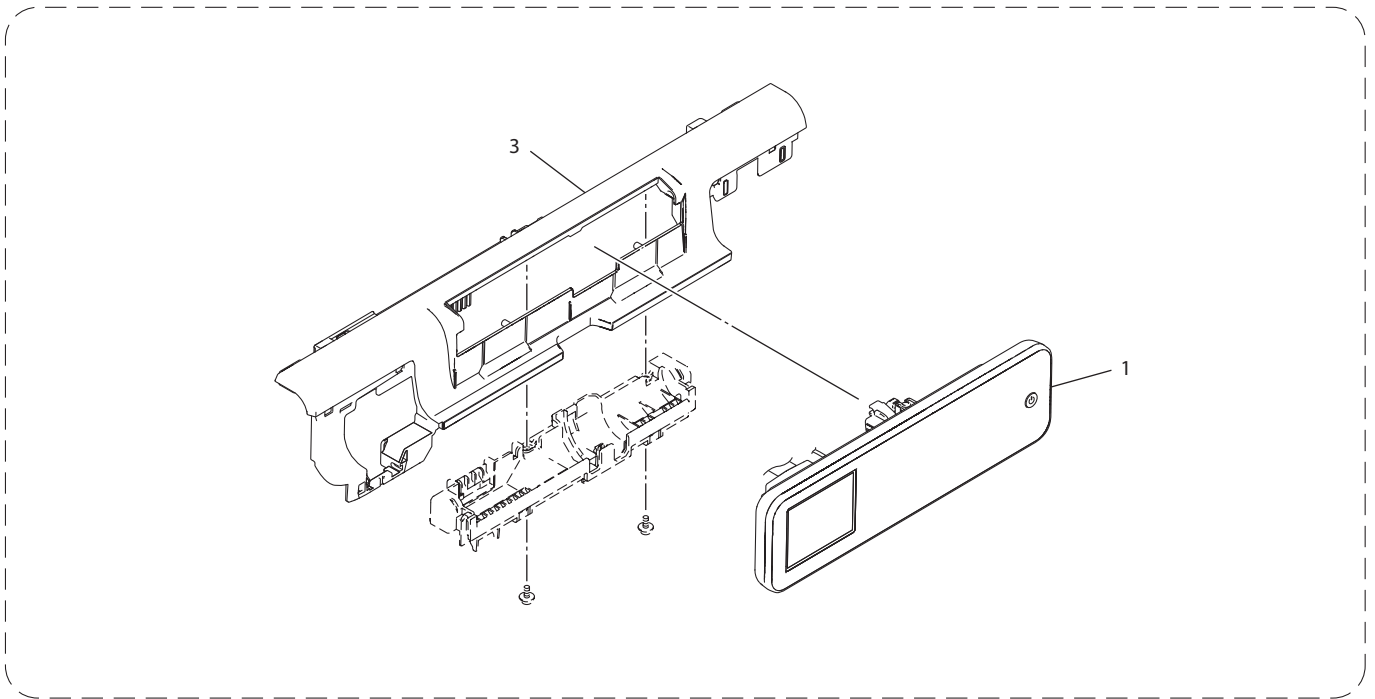


7. COVERS & LABELS

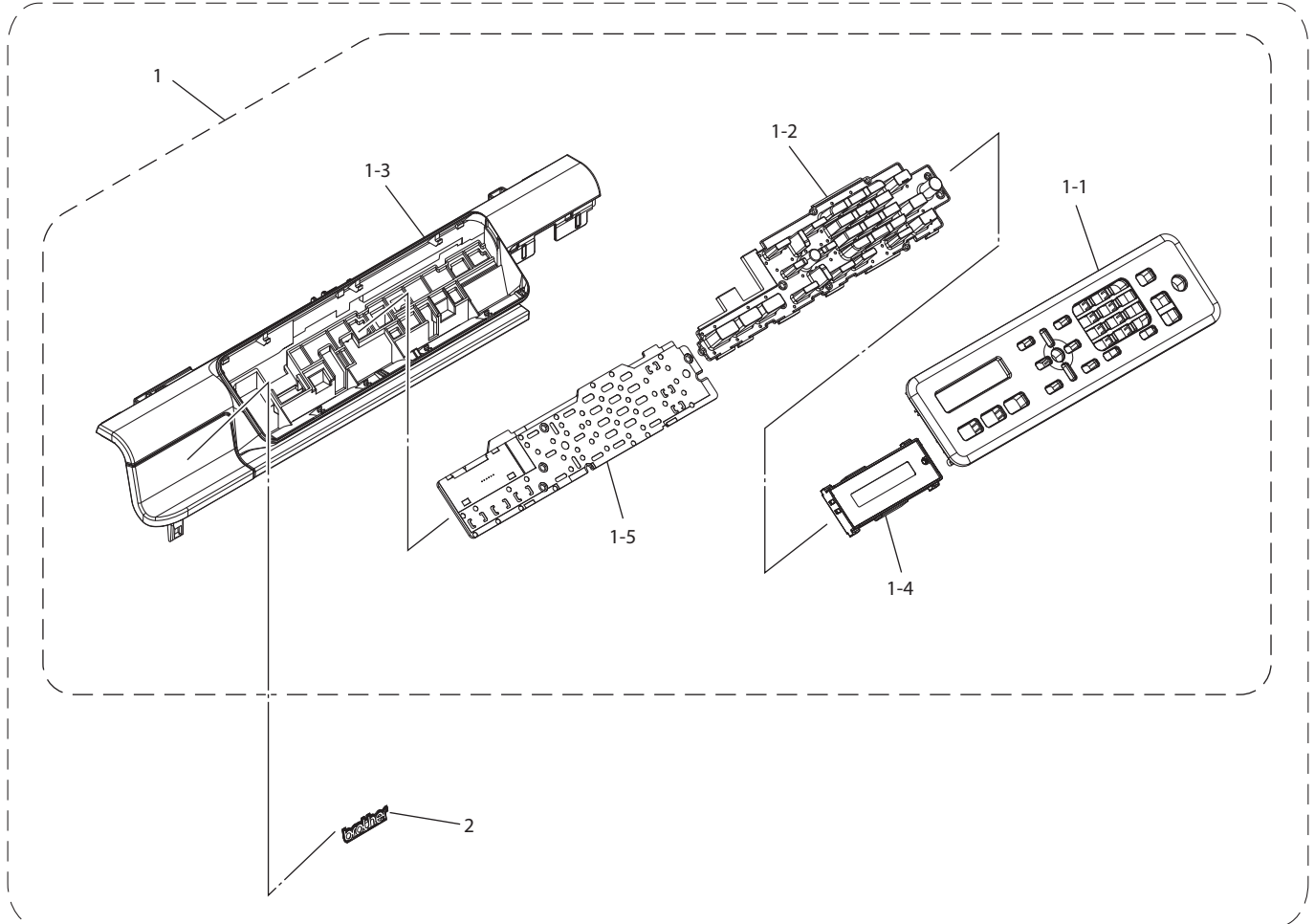
REF No.	CODE	Q'TY	DESCRIPTION	REMARKS
1	LEL671001	1	INK ABSORBER FELT (FOR INK REFILL ASSY), DCP-J100/J105/MFC-J200	
1	LEK212001	1	INK ABSORBER FELT (FOR INK REFILL ASSY), DCP-J132W/J152W/J172W/MFC-J245	
2	LX7296001	1	INK ABSORBER FELT (FOR MAINTENANCE UNIT)	
3	LEK119001	1	INK ABSORBER BOX	
4	LEG739001	1	FLUSHING BOX	
5	LT2373001	1	MJ PCB ASSY, MFC-J200/J245 FOR US/ASA/OCE	
5	LT2373004	1	MJ PCB ASSY, MFC-J245 FOR GER/FRA/ITA/ISR/IBR	
6	LET528001	1	UPPER COVER (SP), DCP-J100/J105	
6	LER684001	1	UPPER COVER (SP), DCP-J132W/J152W/J172W	
6	LET626001	1	UPPER COVER (SP), MFC-J200	
6	LER686001	1	UPPER COVER (SP), MFC-J245	
7	LEL670007	1	INK CARTRIDGE COVER, DCP-J100/J105/MFC-J200	
7	LEG715007	1	INK CARTRIDGE COVER, DCP-J132W/J152W/J172W/MFC-J245	
8	LT2597001	1	INK CARTRIDGE COVER SENSOR ASSY	
9	LT2822001	1	WIRELESS LAN PCB ASSY, DCP-J105/J132W/J152W/J172W/MFC-J200	
10	LEL043001	1	EXT CAP, MFC-J200/J245 FOR US/ITA/ISR/ASA/OCE/IBR	
10	UF5745000	1	MJ COVER EXT, MFC-J245 FOR GER/FRA	
11	LX3721001	1	INNOBELLA LABEL FOR US	
11	LX3722001	1	INNOBELLA LABEL EXCEPT FOR US	
12	LEL119001	1	USER ACCESS PORT LABEL, DCP-J100/J105/J132W/J152W/J172W	
12	LEL121001	1	USER ACCESS PORT LABEL, MFC-J200/J245	

8. PANEL

DCP-J172W



DCP-J100/J105/J132W/J152W/MFC-J200/J245



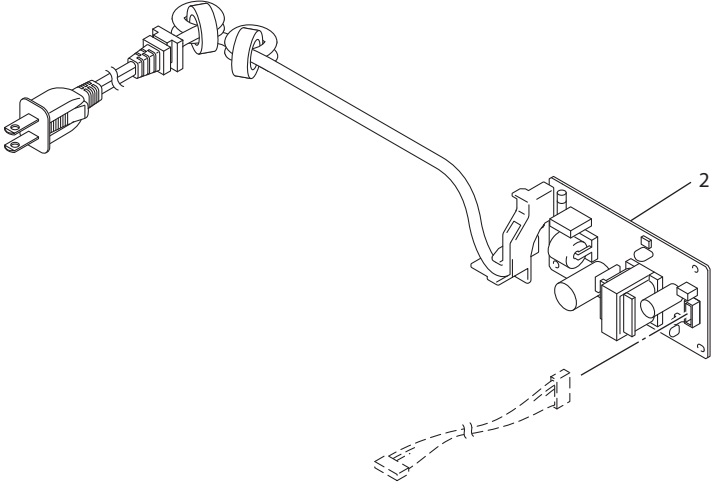
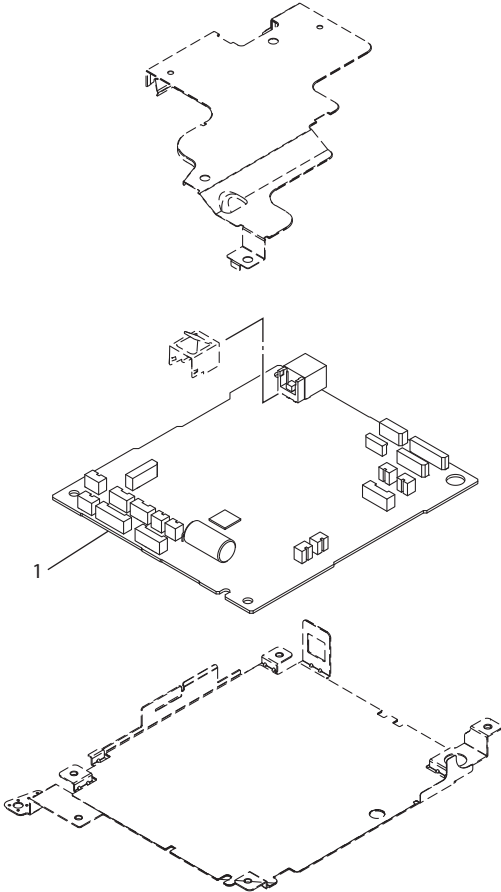
8. PANEL

REF No.	CODE	Q'TY	DESCRIPTION	REMARKS
1	LEG953001	1	CONTROL PANEL ASSY, DCP-J152W FOR US	
1	LEG963001	1	CONTROL PANEL ASSY, MFC-J245 FOR US	
1	LER523001	1	CONTROL PANEL ASSY, DCP-J132W FOR GER/CHE	
1	LEL825001	1	CONTROL PANEL ASSY, DCP-J152W FOR GER/CHE	
1	LER725001	1	CONTROL PANEL ASSY, MFC-J245 FOR GER	
1	LEG944001	1	CONTROL PANEL ASSY, DCP-J132W FOR UK/PND/CEE	
1	LEL037001	1	CONTROL PANEL ASSY, DCP-J152W FOR UK/ASA/OCE/PND/CEE	
1	LER532001	1	CONTROL PANEL ASSY, DCP-J132W FOR FRA	
1	LEL834001	1	CONTROL PANEL ASSY, DCP-J152W FOR FRA	
1	LEG675001	1	CONTROL PANEL ASSY, DCP-J172W FOR FRA/CHE/OCE	
1	LEL064001	1	CONTROL PANEL ASSY, MFC-J245 FOR FRA	
1	LER539001	1	CONTROL PANEL ASSY, DCP-J132W FOR ITA	
1	LEL841001	1	CONTROL PANEL ASSY, DCP-J152W FOR ITA	
1	LER734001	1	CONTROL PANEL ASSY, MFC-J245 FOR ITA	
1	LET102001	1	CONTROL PANEL ASSY, MFC-J245 FOR ISR	
1	LEL477001	1	CONTROL PANEL ASSY, DCP-J100 FOR IDN/ASA/IND/CEE	
1	LET354001	1	CONTROL PANEL ASSY, DCP-J105 FOR ARG/CHL	
1	LET329001	1	CONTROL PANEL ASSY, DCP-J100 FOR CHL	
1	LEL478001	1	CONTROL PANEL ASSY, DCP-J105 FOR ASA/CEE	
1	LEL479001	1	CONTROL PANEL ASSY, MFC-J200 FOR ASA	
1	LER960001	1	CONTROL PANEL ASSY, MFC-J245 FOR ASA/OCE	
1	LER635001	1	CONTROL PANEL ASSY, DCP-J100 FOR MEX	
1	LER640001	1	CONTROL PANEL ASSY, DCP-J105 FOR MEX	
1	LET296001	1	CONTROL PANEL ASSY, DCP-J100 FOR RUS	
1	LET508001	1	CONTROL PANEL ASSY, DCP-J105 FOR RUS	
1	LER545001	1	CONTROL PANEL ASSY, DCP-J132W FOR IBR	
1	LEL846001	1	CONTROL PANEL ASSY, DCP-J152W FOR IBR	
1	LER739001	1	CONTROL PANEL ASSY, MFC-J245 FOR IBR	
1-1	LEG954001	1	PRINTED PANEL COVER, DCP-J152W FOR US	
1-1	LEG964001	1	PRINTED PANEL COVER, MFC-J245 FOR US	
1-1	LER524001	1	PRINTED PANEL COVER, DCP-J132W FOR GER/CHE (GERMANY)	
1-1	LEL826001	1	PRINTED PANEL COVER, DCP-J152W FOR GER/CHE (GERMANY)	
1-1	LER726001	1	PRINTED PANEL COVER, MFC-J245 FOR GER	
1-1	LEG945001	1	PRINTED PANEL COVER, DCP-J132W FOR UK/PND/CEE (ENGLISH)	
1-1	LEL039001	1	PRINTED PANEL COVER, DCP-J152W FOR UK/ASA/OCE/PND/CEE (ENGLISH)	
1-1	LER535001	1	PRINTED PANEL COVER, DCP-J132W FOR FRA	
1-1	LER533001	1	PRINTED PANEL COVER, DCP-J132W FOR CHE (FRENCH)	
1-1	LEL835001	1	PRINTED PANEL COVER, DCP-J152W FOR FRA/CHE (FRENCH)	
1-1	LEL837001	1	PRINTED PANEL COVER, DCP-J152W FOR FRA (DUTCH)	
1-1	LEL065001	1	PRINTED PANEL COVER, MFC-J245 FOR FRA	
1-1	LER540001	1	PRINTED PANEL COVER, DCP-J132W FOR ITA	
1-1	LEL842001	1	PRINTED PANEL COVER, DCP-J152W FOR ITA	
1-1	LER735001	1	PRINTED PANEL COVER, MFC-J245 FOR ITA	
1-1	LET103001	1	PRINTED PANEL COVER, MFC-J245 FOR ISR	
1-1	LER634001	1	PRINTED PANEL COVER, DCP-J100 FOR IDN/ASA/IND/CEE (ENGLISH)	
1-1	LET330001	1	PRINTED PANEL COVER, DCP-J100 FOR CHL	
1-1	LET355001	1	PRINTED PANEL COVER, DCP-J105 FOR ARG/CHL	
1-1	LER639001	1	PRINTED PANEL COVER, DCP-J105 FOR ASA/CEE	
1-1	LER644001	1	PRINTED PANEL COVER, MFC-J200 FOR ASA	
1-1	LER961001	1	PRINTED PANEL COVER, MFC-J245 FOR ASA/OCE	
1-1	LER636001	1	PRINTED PANEL COVER, DCP-J100 FOR MEX	
1-1	LER641001	1	PRINTED PANEL COVER, DCP-J105 FOR MEX	
1-1	LET297001	1	PRINTED PANEL COVER, DCP-J100 FOR RUS	
1-1	LET509001	1	PRINTED PANEL COVER, DCP-J105 FOR RUS	
1-1	LER546001	1	PRINTED PANEL COVER, DCP-J132W FOR IBR	
1-1	LEL847001	1	PRINTED PANEL COVER, DCP-J152W FOR IBR	
1-1	LER740001	1	PRINTED PANEL COVER, MFC-J245 FOR IBR	
1-1	LET304001	1	PRINTED PANEL COVER, DCP-J100 FOR CEE (POLISH)	
1-1	LET510001	1	PRINTED PANEL COVER, DCP-J105 FOR CEE (POLISH)	
1-1	LER948001	1	PRINTED PANEL COVER, DCP-J132W FOR CEE (POLISH)	
1-1	LER721001	1	PRINTED PANEL COVER, DCP-J152W FOR CEE (POLISH)	
1-2	LEG950001	1	RUBBER KEY, DCP-J100/J105/J132W	
1-2	LEG959001	1	RUBBER KEY, DCP-J152W	
1-2	LEG969001	1	RUBBER KEY, MFC-J200/J245	
1-3	LEL672007	1	FRONT CENTER COVER, DCP-J100/J105	
1-3	LEK385007	1	FRONT CENTER COVER, DCP-J132W	
1-3	LEG952007	1	FRONT CENTER COVER, DCP-J152W	
1-3	LEL673007	1	FRONT CENTER COVER, MFC-J200	
1-3	LEK386007	1	FRONT CENTER COVER, MFC-J245	

8. PANEL

REF No.	CODE	Q'TY	DESCRIPTION	REMARKS
1-4	A51298001	1	LCD UNIT ASSY, DCP-J100/J105/J132W/MFC-J200/J245	
1-4	A63361001	1	LCD UNIT ASSY, DCP-J152W	
1-5	LT2479001	1	PANEL PCB ASSY, DCP-J100/J105/J132W	
1-5	LT2454001	1	PANEL PCB ASSY, DCP-J152W	
1-5	LT2475001	1	PANEL PCB ASSY, MFC-J200/J245	
2	LX7155001	1	EMBLEM BROTHER SHEET S, MFC-J200/J245	
3	LEG677007	1	FRONT CENTER COVER, DCP-J172W	

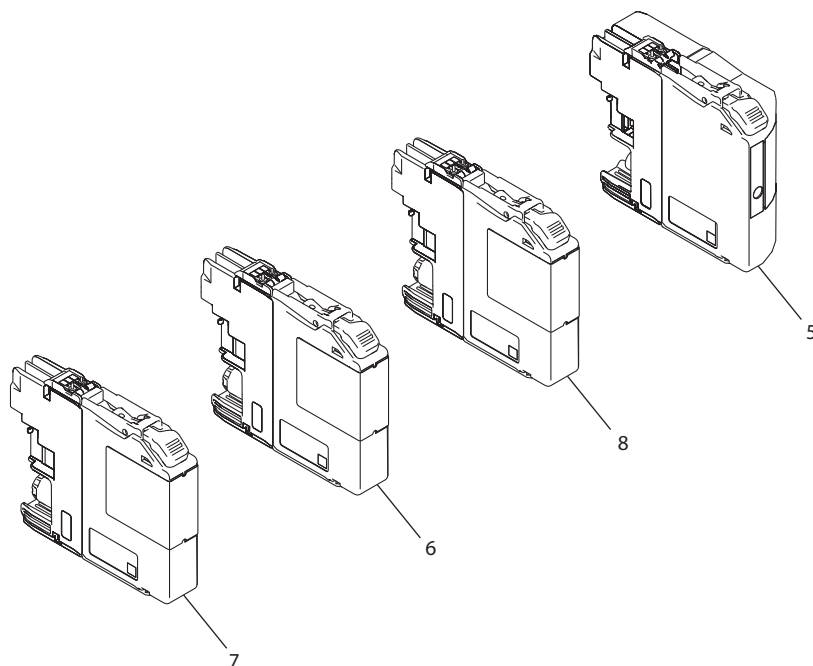
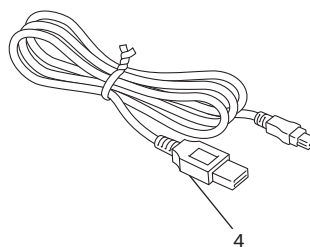
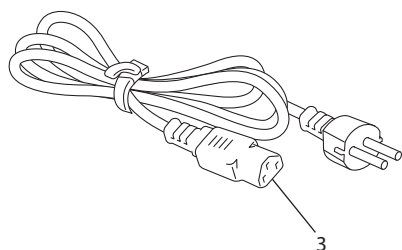
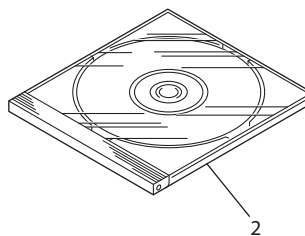
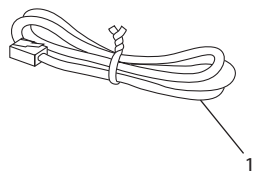
9. PCB



9. PCB

REF No.	CODE	Q'TY	DESCRIPTION	REMARKS
1	LT2842001	1	MAIN PCB ASSY (SP), DCP-J152W FOR US (PRESET 74 CODE:0001)	
1	LT2846001	1	MAIN PCB ASSY (SP), MFC-J245 FOR US (PRESET 74 CODE:0001)	
1	LT2841004	1	MAIN PCB ASSY (SP), DCP-J132W FOR GER/UK/FRA/CHE/ITA/PND/IBR/CEE (PRESET 74 CODE:0004)	
1	LT2842004	1	MAIN PCB ASSY (SP), DCP-J152W FOR GER/UK/FRA/CHE/ITA/OCE/PND/IBR/CEE (PRESET 74 CODE:0004)	
1	LT2846004	1	MAIN PCB ASSY (SP), MFC-J245 FOR GER/FRA/ITA/ISR/IBR (PRESET 74 CODE:0004)	
1	LT3332046	1	MAIN PCB ASSY (SP), DCP-J105 FOR ARG/CHL/MEX (PRESET 74 CODE:0101)	
1	LT3330046	1	MAIN PCB ASSY (SP), DCP-J100 FOR CHL/MEX (PRESET 74 CODE:0001)	
1	LT3330040	1	MAIN PCB ASSY (SP), DCP-J100 FOR IDN/ASA/IND (PRESET 74 CODE:0040)	
1	LT3332040	1	MAIN PCB ASSY (SP), DCP-J105 FOR ASA (PRESET 74 CODE:0140)	
1	LT2842040	1	MAIN PCB ASSY (SP), DCP-J152W FOR ASA (PRESET 74 CODE:0040)	
1	LT3334040	1	MAIN PCB ASSY (SP), MFC-J200 FOR ASA (PRESET 74 CODE:0040)	
1	LT2846040	1	MAIN PCB ASSY (SP), MFC-J245 FOR ASA (PRESET 74 CODE:0040)	
1	LT3330078	1	MAIN PCB ASSY (SP), DCP-J100 FOR RUS/CEE (PRESET 74 CODE:0054)	
1	LT3332078	1	MAIN PCB ASSY (SP), DCP-J105 FOR RUS/CEE (PRESET 74 CODE:0154)	
1	LT2846056	1	MAIN PCB ASSY (SP), MFC-J245 FOR OCE (PRESET 74 CODE:0056)	
1	LT2843004	1	MAIN PCB ASSY (SP), DCP-J172W (PRESET 74 CODE:0004)	
2	LT2613001	1	POWER SUPPLY PCB ASSY FOR US/MEX	
2	LT3075001	1	POWER SUPPLY PCB ASSY FOR IND	
2	LT2650001	1	POWER SUPPLY PCB ASSY EXCEPT FOR US/IND/MEX	

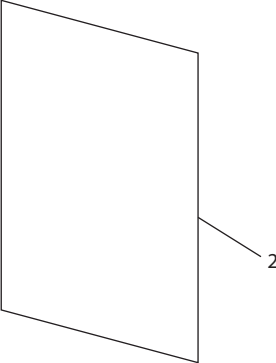
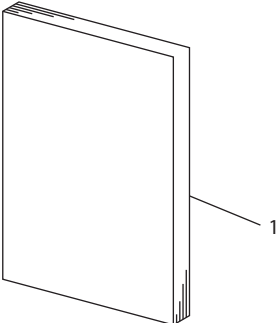
10. ACCESSORIES



10. ACCESSORIES

REF No.	CODE	Q'TY	DESCRIPTION	REMARKS
1	LG3077001	1	TELEPHONE LINE CORD, MFC-J200/J245 FOR US/ISR/ASA/OCE/IBR	
1	UG3625001	1	TELEPHONE LINE CORD, MFC-J245 FOR GER	
1	UG3627001	1	TELEPHONE LINE CORD, MFC-J245 FOR FRA	
1	LT2144001	1	TELEPHONE LINE CORD, MFC-J245 FOR ITA	
2	LEK459001	1	CD-ROM ASSY, DCP-J152W FOR US	
2	LEK461001	1	CD-ROM ASSY, MFC-J245 FOR US	
2	LEK520001	1	CD-ROM ASSY, DCP-J132W FOR GER/UK/FRA/CHE/ITA/IBR	
2	LEK521001	1	CD-ROM ASSY, DCP-J152W FOR GER/UK/FRA/CHE/ITA/IBR	
2	LEK523001	1	CD-ROM ASSY, MFC-J245 FOR GER/FRA/ITA/ISR/IBR	
2	LEK522001	1	CD-ROM ASSY, DCP-J172W FOR FRA/CHE	
2	LEL226001	1	CD-ROM ASSY, DCP-J100 FOR IDN/ASA/IND	
2	LEL221001	1	CD-ROM ASSY, DCP-J105 FOR ARG/CHL/MEX	
2	LEL220001	1	CD-ROM ASSY, DCP-J100 FOR CHL/MEX	
2	LEL227001	1	CD-ROM ASSY, DCP-J105 FOR ASA	
2	LEL468001	1	CD-ROM ASSY, DCP-J152W FOR ASA/OCE	
2	LEL228001	1	CD-ROM ASSY, MFC-J200 FOR ASA	
2	LEL470001	1	CD-ROM ASSY, MFC-J245 FOR ASA/OCE	
2	LEL465001	1	CD-ROM ASSY, DCP-J100 FOR RUS	
2	LEL466001	1	CD-ROM ASSY, DCP-J105 FOR RUS	
2	LEL469001	1	CD-ROM ASSY, DCP-J172W FOR OCE	
2	LEL206001	1	CD-ROM ASSY, DCP-J132W FOR PND	
2	LEL207001	1	CD-ROM ASSY, DCP-J152W FOR PND	
2	LEL223001	1	CD-ROM ASSY, DCP-J100 FOR CEE	
2	LEL224001	1	CD-ROM ASSY, DCP-J105 FOR CEE	
2	LEL212001	1	CD-ROM ASSY, DCP-J132W FOR CEE	
2	LEL213001	1	CD-ROM ASSY, DCP-J152W FOR CEE	
3	LT2744001	1	AC CORD BAG ASSY FOR GER/FRA/ITA/IDN/ASA/RUS/PND/IBR/CEE	
3	LT2652001	1	AC CORD BAG ASSY FOR UK/ASA	
3	LT2899001	1	AC CORD BAG ASSY FOR CHE	
3	LT3210001	1	AC CORD BAG ASSY FOR ISR	
1	LT3162001	1	AC CORD BAG ASSY FOR ARG	
3	LT3213001	1	AC CORD BAG ASSY FOR CHL	
3	LT3211001	1	AC CORD BAG ASSY FOR IND	
3	LT2746001	1	AC CORD BAG ASSY FOR OCE	
4	LJ9803001	1	USB CABLE 2.0	
5	LK7346001	1	INITIAL SETUP STARTER CARTRIDGE LC101BK BL, DCP-J152W/MFC-J245 FOR US	
5	LK7394001	1	INITIAL SETUP STARTER CARTRIDGE LC121BK BL, DCP-J132W/J152W/J172W/MFC-J245 FOR GER/UK/FRA/CHE/ITA/ISR/PND/IBR/CEE	
5	LK7660001	1	INITIAL SETUP STARTER CARTRIDGE LC161BK BL, DCP-J152W/MFC-J245 FOR ASA	
5	LK7426001	1	INITIAL SETUP STARTER CARTRIDGE LC131BK BL, DCP-J152W/J172W/MFC-J245 FOR OCE	
6	LK7347001	1	INITIAL SETUP STARTER CARTRIDGE LC101C BL, DCP-J152W/MFC-J245 FOR US	
6	LK7395001	1	INITIAL SETUP STARTER CARTRIDGE LC121C BL, DCP-J132W/J152W/J172W/MFC-J245 FOR GER/UK/FRA/CHE/ITA/ISR/PND/IBR/CEE	
6	LK7661001	1	INITIAL SETUP STARTER CARTRIDGE LC161C BL, DCP-J152W/MFC-J245 FOR ASA	
6	LK7427001	1	INITIAL SETUP STARTER CARTRIDGE LC131C BL, DCP-J152W/J172W/MFC-J245 FOR OCE	
7	LK7348001	1	INITIAL SETUP STARTER CARTRIDGE LC101M BL, DCP-J152W/MFC-J245 FOR US	
7	LK7396001	1	INITIAL SETUP STARTER CARTRIDGE LC121M BL, DCP-J132W/J152W/J172W/MFC-J245 FOR GER/UK/FRA/CHE/ITA/ISR/PND/IBR/CEE	
7	LK7662001	1	INITIAL SETUP STARTER CARTRIDGE LC161M BL, DCP-J152W/MFC-J245 FOR ASA	
7	LK7428001	1	INITIAL SETUP STARTER CARTRIDGE LC131M BL, DCP-J152W/J172W/MFC-J245 FOR OCE	
8	LK7349001	1	INITIAL SETUP STARTER CARTRIDGE LC101Y BL, DCP-J152W/MFC-J245 FOR US	
8	LK7397001	1	INITIAL SETUP STARTER CARTRIDGE LC121Y BL, DCP-J132W/J152W/J172W/MFC-J245 FOR GER/UK/FRA/CHE/ITA/ISR/PND/IBR/CEE	
8	LK7663001	1	INITIAL SETUP STARTER CARTRIDGE LC161Y BL, DCP-J152W/MFC-J245 FOR ASA	
8	LK7429001	1	INITIAL SETUP STARTER CARTRIDGE LC131Y BL, DCP-J152W/J172W/MFC-J245 FOR OCE	
(9)	LG6573001	1	TELEPHONE PLUG ARL, MFC-J245 FOR OCE	

11. PRINTED MATERIALS



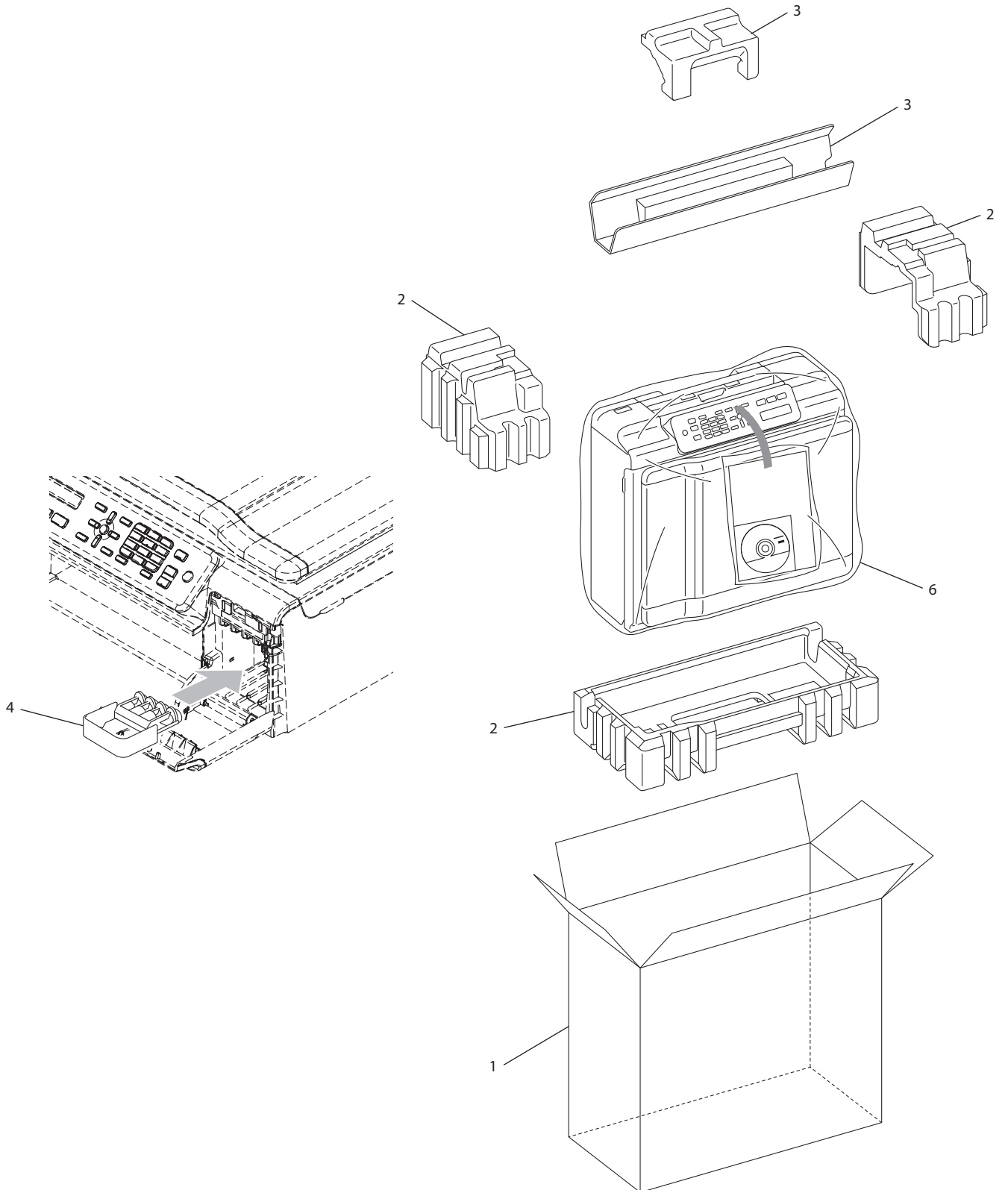
11. PRINTED MATERIALS

REF No.	CODE	Q'TY	DESCRIPTION	REMARKS
1	LER030001	1	USER'S GUIDE, DCP-J152W FOR US	
1	LER676001	1	USER'S GUIDE, MFC-J245 FOR US	
1	LER526003	1	USER'S GUIDE, DCP-J132W FOR GER/CHE (GERMAN)	
1	LEL828003	1	USER'S GUIDE, DCP-J152W FOR GER/CHE (GERMAN)	
1	LER728003	1	USER'S GUIDE, MFC-J245 FOR GER	
1	LER526004	1	USER'S GUIDE, DCP-J132W FOR UK	
1	LEL828004	1	USER'S GUIDE, DCP-J152W FOR UK	
1	LER526009	1	USER'S GUIDE, DCP-J132W FOR FRA (DUTCH)	
1	LER526005	1	USER'S GUIDE, DCP-J132W FOR FRA/CHE (FRENCH)	
1	LEL828009	1	USER'S GUIDE, DCP-J152W FOR FRA (DUTCH)	
1	LEL828005	1	USER'S GUIDE, DCP-J152W FOR FRA/CHE (FRENCH)	
1	LER079009	1	USER'S GUIDE, DCP-J172W FOR FRA (DUTCH)	
1	LER079005	1	USER'S GUIDE, DCP-J172W FOR FRA/CHE (FRENCH)	
1	LER728005	1	USER'S GUIDE, MFC-J245 FOR FRA	
1	LER079003	1	USER'S GUIDE, DCP-J172W FOR CHE (GERMAN)	
1	LER526016	1	USER'S GUIDE, DCP-J132W FOR ITA	
1	LEL828016	1	USER'S GUIDE, DCP-J152W FOR ITA	
1	LER728016	1	USER'S GUIDE, MFC-J245 FOR ITA	
1	LER828040	1	USER'S GUIDE, DCP-J152W FOR ASA/OCE	
1	LER728040	1	USER'S GUIDE, MFC-J245 FOR ASA/OCE	
1	LER079056	1	USER'S GUIDE, DCP-J172W FOR OCE	
1	LER548007	1	USER'S GUIDE, DCP-J132W FOR PND (NORWEGIAN/SWEDISH)	
1	LER548013	1	USER'S GUIDE, DCP-J132W FOR PND (FINNISH/DANISH)	
1	LEL849007	1	USER'S GUIDE, DCP-J152W FOR PND (NORWEGIAN/SWEDISH)	
1	LEL849013	1	USER'S GUIDE, DCP-J152W FOR PND (FINNISH/DANISH)	
1	LER548065	1	USER'S GUIDE, DCP-J132W FOR IBR	
1	LEL849065	1	USER'S GUIDE, DCP-J152W FOR IBR	
2	LER033001	1	QUICK SETUP GUIDE, DCP-J152W FOR US	
2	LER677001	1	QUICK SETUP GUIDE, MFC-J245 FOR US	
2	LER529003	1	QUICK SETUP GUIDE, DCP-J132W FOR GER/CHE (GERMAN)	
2	LEL831003	1	QUICK SETUP GUIDE, DCP-J152W FOR GER/CHE (GERMAN)	
2	LER729003	1	QUICK SETUP GUIDE, MFC-J245 FOR GER	
2	LER529004	1	QUICK SETUP GUIDE, DCP-J132W FOR UK	
2	LEL831004	1	QUICK SETUP GUIDE, DCP-J152W FOR UK	
2	LER529009	1	QUICK SETUP GUIDE, DCP-J132W FOR FRA (DUTCH)	
2	LER529005	1	QUICK SETUP GUIDE, DCP-J132W FOR FRA/CHE (FRENCH)	
2	LEL831009	1	QUICK SETUP GUIDE, DCP-J152W FOR FRA (DUTCH)	
2	LEL831005	1	QUICK SETUP GUIDE, DCP-J152W FOR FRA/CHE (FRENCH)	
2	LER081009	1	QUICK SETUP GUIDE, DCP-J172W FOR FRA (DUTCH)	
2	LER081005	1	QUICK SETUP GUIDE, DCP-J172W FOR FRA/CHE (FRENCH)	
2	LER729005	1	QUICK SETUP GUIDE, MFC-J245 FOR FRA	
2	LER529016	1	QUICK SETUP GUIDE, DCP-J132W FOR CHE/ITA (ITALIAN)	
2	LEL831016	1	QUICK SETUP GUIDE, DCP-J152W FOR CHE/ITA (ITALIAN)	
2	LER081003	1	QUICK SETUP GUIDE, DCP-J172W FOR CHE (GERMAN)	
2	LER081016	1	QUICK SETUP GUIDE, DCP-J172W FOR CHE (ITALIAN)	
2	LER729016	1	QUICK SETUP GUIDE, MFC-J245 FOR ITA	
2	LER729004	1	QUICK SETUP GUIDE, MFC-J245 FOR ISR	
2	LET122040	1	QUICK SETUP GUIDE, DCP-J100/J105 FOR IDN/ASA/IND (ENGLISH)	
2	LET122029	1	QUICK SETUP GUIDE, DCP-J100 FOR IDN (INDONESIAN)	
2	LET122031	1	QUICK SETUP GUIDE, DCP-J100/J105 FOR ARG/CHL/MEX	
2	LET122030	1	QUICK SETUP GUIDE, DCP-J100/J105 FOR ASA (THAI)	
2	LEL831040	1	QUICK SETUP GUIDE, DCP-J152W FOR ASA/OCE	
2	LET441040	1	QUICK SETUP GUIDE, MFC-J200 FOR ASA (ENGLISH)	
2	LET441030	1	QUICK SETUP GUIDE, MFC-J200 FOR ASA (THAI)	
2	LER729040	1	QUICK SETUP GUIDE, MFC-J245 FOR ASA/OCE	
2	LER081056	1	QUICK SETUP GUIDE, DCP-J172W FOR OCE	
2	LET122048	1	QUICK SETUP GUIDE, DCP-J100/J105 FOR RUS	
2	LER529007	1	QUICK SETUP GUIDE, DCP-J132W FOR PND (NORWEGIAN/SWEDISH)	
2	LER529013	1	QUICK SETUP GUIDE, DCP-J132W FOR PND (FINNISH/DANISH)	
2	LEL831007	1	QUICK SETUP GUIDE, DCP-J152W FOR PND (NORWEGIAN/SWEDISH)	
2	LEL831013	1	QUICK SETUP GUIDE, DCP-J152W FOR PND (FINNISH/DANISH)	
2	LER529065	1	QUICK SETUP GUIDE, DCP-J132W FOR IBR	
2	LEL831065	1	QUICK SETUP GUIDE, DCP-J152W FOR IBR	
2	LER729065	1	QUICK SETUP GUIDE, MFC-J245 FOR IBR	
2	LET122059	1	QUICK SETUP GUIDE, DCP-J100/J105 FOR CEE (BULGARIAN/ROMANIAN/SLOVAK)	
2	LET122037	1	QUICK SETUP GUIDE, DCP-J100/J105 FOR CEE (CZECH/HUNGARIAN/POLISH/ENGLISH)	
2	LER529059	1	QUICK SETUP GUIDE, DCP-J132W FOR CEE (BULGARIAN/ROMANIAN/SLOVAK)	
2	LER529037	1	QUICK SETUP GUIDE, DCP-J132W FOR CEE (CZECH/HUNGARIAN/POLISH/ENGLISH)	

11. PRINTED MATERIALS

REF No.	CODE	Q'TY	DESCRIPTION	REMARKS
2	LEL831059	1	QUICK SETUP GUIDE, DCP-J152W FOR CEE (BULGARIAN/ROMANIAN/SLOVAK)	
2	LEL831037	1	QUICK SETUP GUIDE, DCP-J152W FOR CEE (CZECH/HUNGARIAN/POLISH/ENGLISH)	

12. PACKING MATERIALS



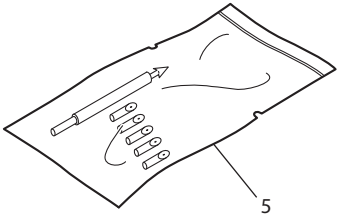
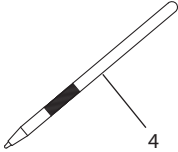
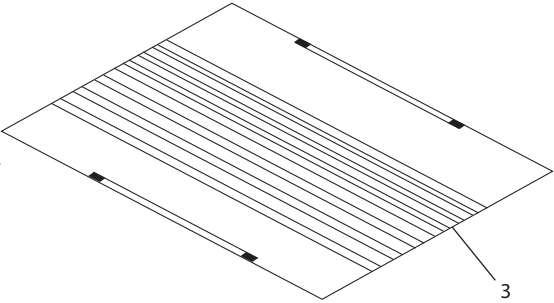
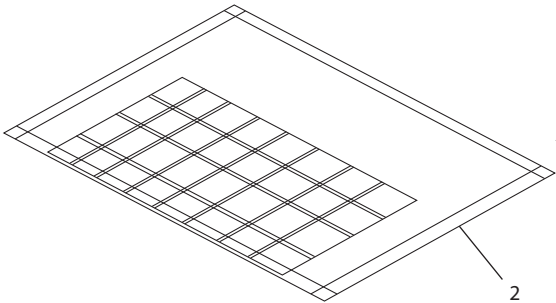
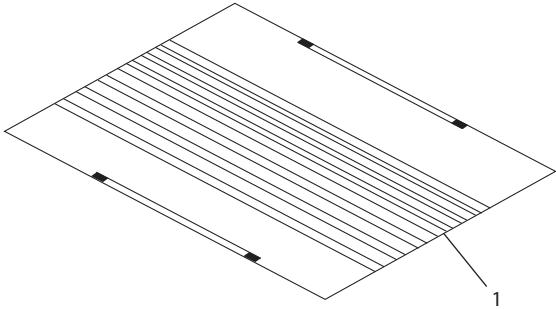
12. PACKING MATERIALS

REF No.	CODE	Q'TY	DESCRIPTION	REMARKS
1	LER032001	1	CARTON BROTHER CN, DCP-J152W FOR US	
1	LET247001	1	CARTON BROTHER PH, DCP-J152W FOR US	
1	LER678001	1	CARTON BROTHER CN, MFC-J245 FOR US	
1	LET489001	1	CARTON BROTHER PH, MFC-J245 FOR US	add
1	LER527001	1	CARTON BROTHER CN, DCP-J132W FOR GER/CHE	
1	LET152001	1	CARTON BROTHER PH, DCP-J132W FOR GER/CHE	
1	LEL829001	1	CARTON BROTHER CN, DCP-J152W FOR GER/CHE	
1	LET155001	1	CARTON BROTHER PH, DCP-J152W FOR GER/CHE	add
1	LER730001	1	CARTON BROTHER CN, MFC-J245 FOR GER	
1	LET490001	1	CARTON BROTHER PH, MFC-J245 FOR GER	
1	LER531001	1	CARTON BROTHER CN, DCP-J132W FOR UK/FRA/CEE	
1	LET236001	1	CARTON BROTHER PH, DCP-J132W FOR UK/FRA/CEE	
1	LEL833001	1	CARTON BROTHER CN, DCP-J152W FOR UK/FRA/CEE	
1	LET249001	1	CARTON BROTHER PH, DCP-J152W FOR UK/FRA/CEE	add
1	LER080001	1	CARTON BROTHER CN, DCP-J172W FOR FRA/CHE	
1	LET481001	1	CARTON BROTHER PH, DCP-J172W FOR FRA/CHE	add
1	LER733001	1	CARTON BROTHER CN, MFC-J245 FOR FRA/ISR	
1	LET491001	1	CARTON BROTHER PH, MFC-J245 FOR FRA/ISR	
1	LER542001	1	CARTON BROTHER CN, DCP-J132W FOR ITA/IBR	
1	LET237001	1	CARTON BROTHER PH, DCP-J132W FOR ITA/IBR	
1	LEL844001	1	CARTON BROTHER CN, DCP-J152W FOR ITA/IBR	
1	LET250001	1	CARTON BROTHER PH, DCP-J152W FOR ITA/IBR	add
1	LER737001	1	CARTON BROTHER CN, MFC-J245 FOR ITA/IBR	
1	LET492001	1	CARTON BROTHER PH, MFC-J245 FOR ITA/IBR	
1	LET124001	1	CARTON BROTHER CN, DCP-J100 FOR IDN/ASA/IND	
1	LET531001	1	CARTON BROTHER CN, DCP-J105 FOR ARG/CHL/MEX	
1	LET194001	1	CARTON BROTHER CN, DCP-J100 FOR CHL/MEX	
1	LET169001	1	CARTON BROTHER CN, DCP-J105 FOR ASA	
1	LEL945001	1	CARTON BROTHER CN, DCP-J152W FOR ASA	
1	LET251001	1	CARTON BROTHER PH, DCP-J152W FOR ASA	
1	LET170001	1	CARTON BROTHER CN, MFC-J200 FOR ASA	
1	LEL953001	1	CARTON BROTHER CN, MFC-J245 FOR ASA	
1	LET493001	1	CARTON BROTHER PH, MFC-J245 FOR ASA	
1	LET298001	1	CARTON BROTHER CN, DCP-J100 FOR RUS/CEE	
1	LET512001	1	CARTON BROTHER CN, DCP-J105 FOR RUS/CEE	
1	LEL943001	1	CARTON BROTHER CN, DCP-J152W FOR OCE	
1	LET252001	1	CARTON BROTHER PH, DCP-J152W FOR OCE	
1	LEL946001	1	CARTON BROTHER CN, DCP-J172W FOR OCE	
1	LET482001	1	CARTON BROTHER PH, DCP-J172W FOR OCE	
1	LEL951001	1	CARTON BROTHER CN, MFC-J245 FOR OCE	
1	LET494001	1	CARTON BROTHER PH, MFC-J245 FOR OCE	
1	LER744001	1	CARTON BROTHER CN, DCP-J132W FOR PND	
1	LET238001	1	CARTON BROTHER PH, DCP-J132W FOR PND	
1	LEL991001	1	CARTON BROTHER CN, DCP-J152W FOR PND	
1	LET253001	1	CARTON BROTHER PH, DCP-J152W FOR PND	
2	LER659001	1	PACKING PAD ASSY, DCP-J100/J105	
2	LEK515001	1	PACKING PAD ASSY, DCP-J132W/J152W/J172W	
2	LER668001	1	PACKING PAD ASSY, MFC-J200	
2	LEK225001	1	PACKING PAD ASSY, MFC-J245	
3	LET292001	1	ACCESSORIES PAD, DCP-J100/J105/J132W/J152W	ADD
3	LEK228001	1	ACCESSORIES SHEET, DCP-J172W	
3	LET293001	1	ACCESSORIES PAD, MFC-J200/J245	ADD
4	LET128001	1	PROTECTIVE PART (SP)	chg
5	LX7967001	1	BAG 680X770H	

Note

CARTON BROTHER CN means the CARTON made in China.
 CARTON BROTHER PH means the CARTON made in Philippines.

13. OTHERS



13. OTHERS

REF No.	CODE	Q'TY	DESCRIPTION	REMARKS
1	UF8263001	1	TEST CHART-027	
2	UF9258001	1	COLOR TEST CHART CTC-001	
3	UF4600001	1	CONTRAST CHART TC-023	
4	XA9940051	1	TOUCH PEN, DCP-J172W	
5	ZA0310001	1	HEAD CLEANER STICK ASSY	