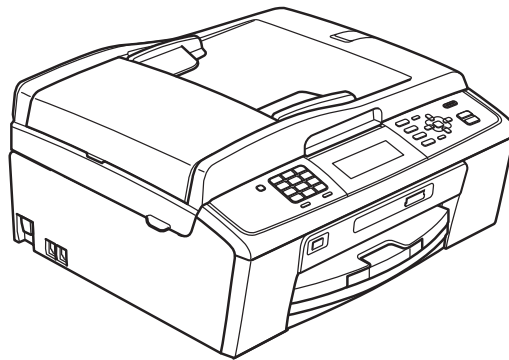




Inkjet DCP/MFC **PARTS REFERENCE LIST**

**MODEL:
DCP-J315W / DCP-J715W
MFC-J265W / MFC-J615W
MFC-J630W**



Read this list thoroughly before maintenance work.

Keep this list in a convenient place for quick and easy reference at all times.

April 2010
PL-FAX175
8CAK19
Ver. A-2

NOTE FOR USING THIS PARTS REFERENCE LIST

1. In the case of ordering parts, it is necessary to mention the following items;

- (1) Code
- (2) Q'ty
- (3) Description
- (4) Symbol (PCB No. etc)

Note: Orders without Parts Code or Tool No. can not be accepted.

< Example >

	(1) REF.NO. CODE	(2) Q'TY	(3) DESCRIPTION	(4) SYMBOL	REMARK

2. Design-changed parts :

If any of the parts is changed, one of the following symbols is indicated in the REMARK column.

CHG(chg) : The parts is changed to a new parts.

ADD(add) : The parts is newly added.

DEL(del) : The parts is deleted.

Symbol in capital letters indicates the latest parts change information in the page.

3. Parts change will be informed by the Parts change information.

4. Parts are subject to change in design without prior notice.

COUNTRIES

U.S.A. ----- US

PAN NORDIC ----- PND

CANADA ----- CAN

IBERIA ---- IBR

GERMANY ----- GER

UNITED KINGDOM ----- UK

FRANCE ---- FRA

SWITZERLAND ----- CHE

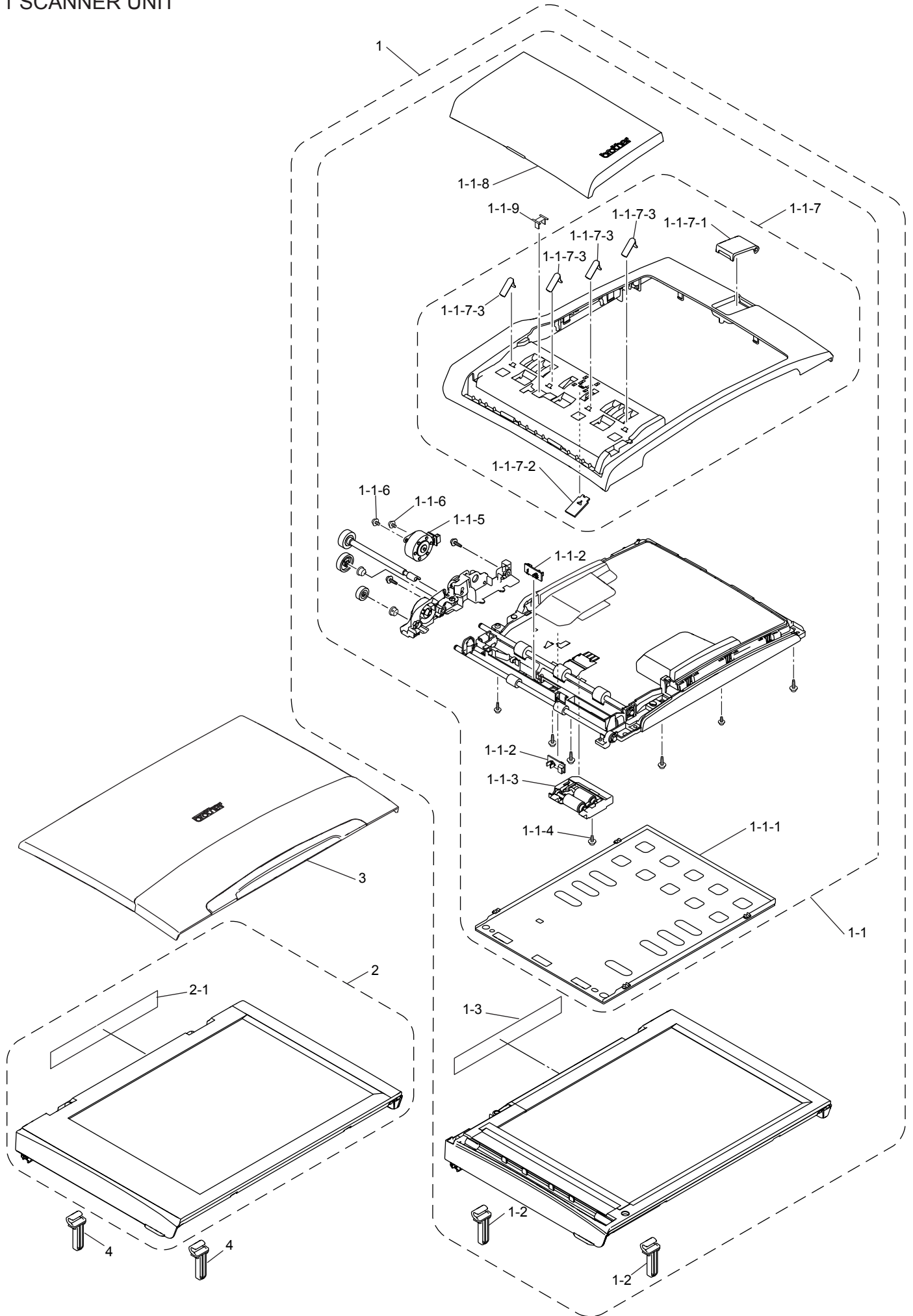
SPAIN ----- SPA

ITALY ---- ITA

CONTENTS

1.	<u>SCANNER UNIT</u>	1
2.	<u>CARTRIDGE CASE</u>	3
3.	<u>ENGINE</u>	5
4.	<u>HEAD</u>	7
5.	<u>PAPER TRAY</u>	9
6.	<u>COVER</u>	11
7.	<u>PANEL</u>	13
8.	<u>PCB</u>	15
9.	<u>ACCESSORIES</u>	17
10.	<u>PRINTED MATERIALS</u>	19
11.	<u>PACKAGING</u>	21
12.	<u>OTHERS</u>	23

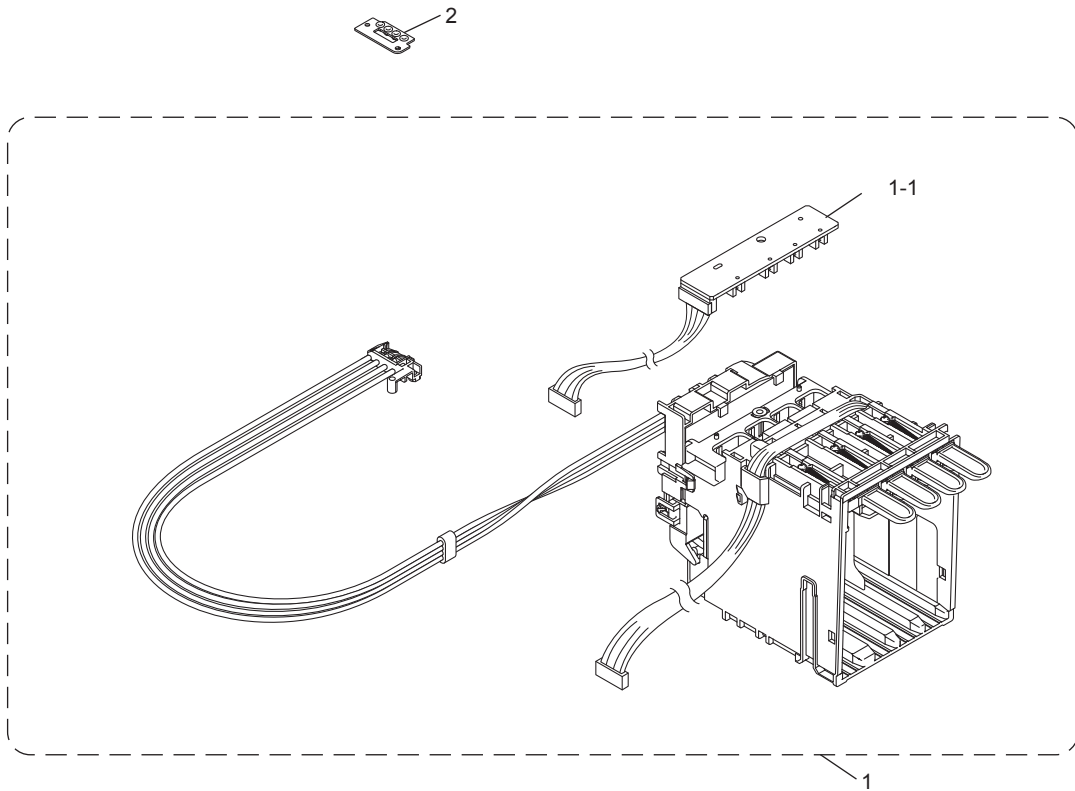
1 SCANNER UNIT



List1(SCANNER UNIT)

REF No.	CODE	QTY	DESCRIPTION	SYMBOL	REMARKS
1	LX6429001	1	ADF & SCANNER COVER ASSY (SP), DCP-J715W		
1	LX6433001	1	ADF & SCANNER COVER ASSY (SP), MFC-J615W/MFC-J630W		
1-1	LX6434001	1	ADF & DOCUMENT COVER ASSY (SP), DCP-J715W		
1-1	LX6436001	1	ADF & DOCUMENT COVER ASSY (SP), MFC-J615W/MFC-J630W		
1-1-1	LS6891001	1	DOCUMENT SPONGE ASSY (SP), DCP-J715W/MFC-J615W/MFC-J630W		
1-1-2	LG6753001	2	DOCUMENT SENSOR PCB ASSY, DCP-J715W/MFC-J615W/MFC-J630W		
1-1-3	LS4406001	1	DOCUMENT ROLLER HOLDER ASSY, DCP-J715W/MFC-J615W/MFC-J630W		
1-1-4	087310816	1	TAPTITE CUP B M3X8, DCP-J715W/MFC-J615W/MFC-J630W		
1-1-5	LS4414001	1	ADF MOTOR, DCP-J715W/MFC-J615W/MFC-J630W		
1-1-6	0A5300606	2	SCREW PAN (S/P WASHER) M3X6, DCP-J715W/MFC-J615W/MFC-J630W		
1-1-7	LX3609001	1	ADF UNIT, DCP-J715W/MFC-J615W/MFC-J630W		
1-1-7-1	LX1864007	1	DOCUMENT STOPPER, DCP-J715W/MFC-J615W/MFC-J630W		
1-1-7-2	LS5437001	1	SEPARATION PAD AND FILM, DCP-J715W/MFC-J615W/MFC-J630W		
1-1-7-3	LP1429001	4	EXIT FILM, DCP-J715W/MFC-J615W/MFC-J630W		
1-1-8	LX3610001	1	ADF COVER, DCP-J715W		
1-1-8	LX3639001	1	ADF COVER, MFC-J615W/MFC-J630W		
1-1-9	LS5961001	1	DOCUMENT COVER SUPPORT, DCP-J715W/MFC-J615W/MFC-J630W		
1-2	LS4442007	2	HINGE, DCP-J715W/MFC-J615W/MFC-J630W		
1-3	LS5965001	1	PAPER JAM INST. LABEL, DCP-J715W/MFC-J615W/MFC-J630W		
2	LX6578001	1	SCANNER COVER ASSY (SP), DCP-J315W/MFC-J265W		
2-1	LS5965001	1	PAPER JAM INST. LABEL, DCP-J315W/MFC-J265W		
3	LX6584001	1	DOCUMENT COVER ASSY (SP), DCP-J315W/MFC-J265W		
4	LS4537007	2	HINGE, DCP-J315W/MFC-J265W		

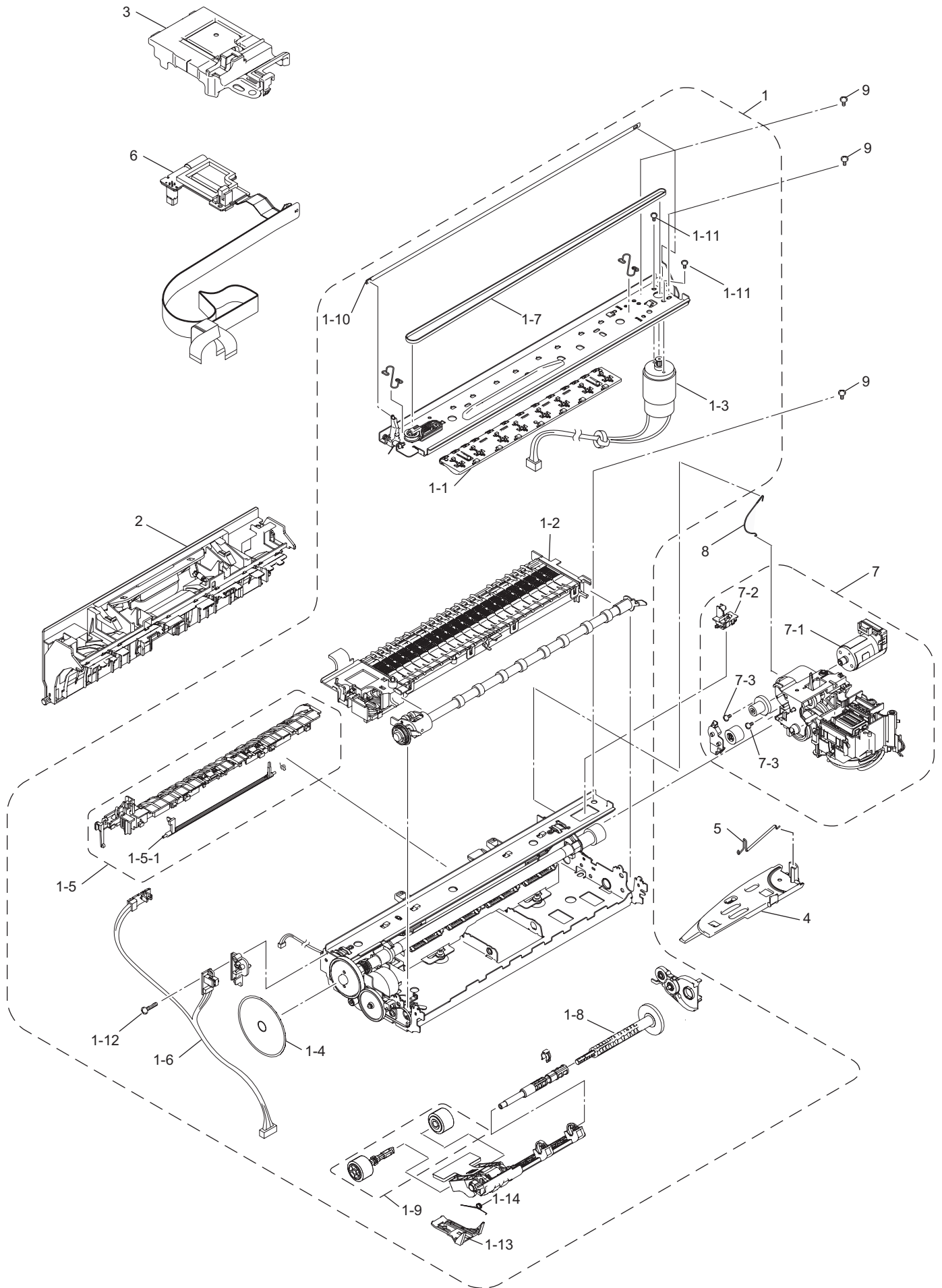
2 CARTRIDGE CASE



List2(CARTRIDGE CASE)

REF No.	CODE	Q'TY	DESCRIPTION	SYMBOL	REMARKS
1	LK4680001	1	INK REFILL ASSY (SP), DCP-J315W		
1	LK3553001	1	INK REFILL ASSY (SP), DCP-J715W/MFC-J615W/MFC-J630W FOR ALL COUNTRIES, MFC-J265W FOR US		
1-1	LK3329001	1	INK CARTRIDGE DETECTION SENSOR PCB	B57C002	
2	LK3555001	1	HEAD JOINT RUBBER (SP)		

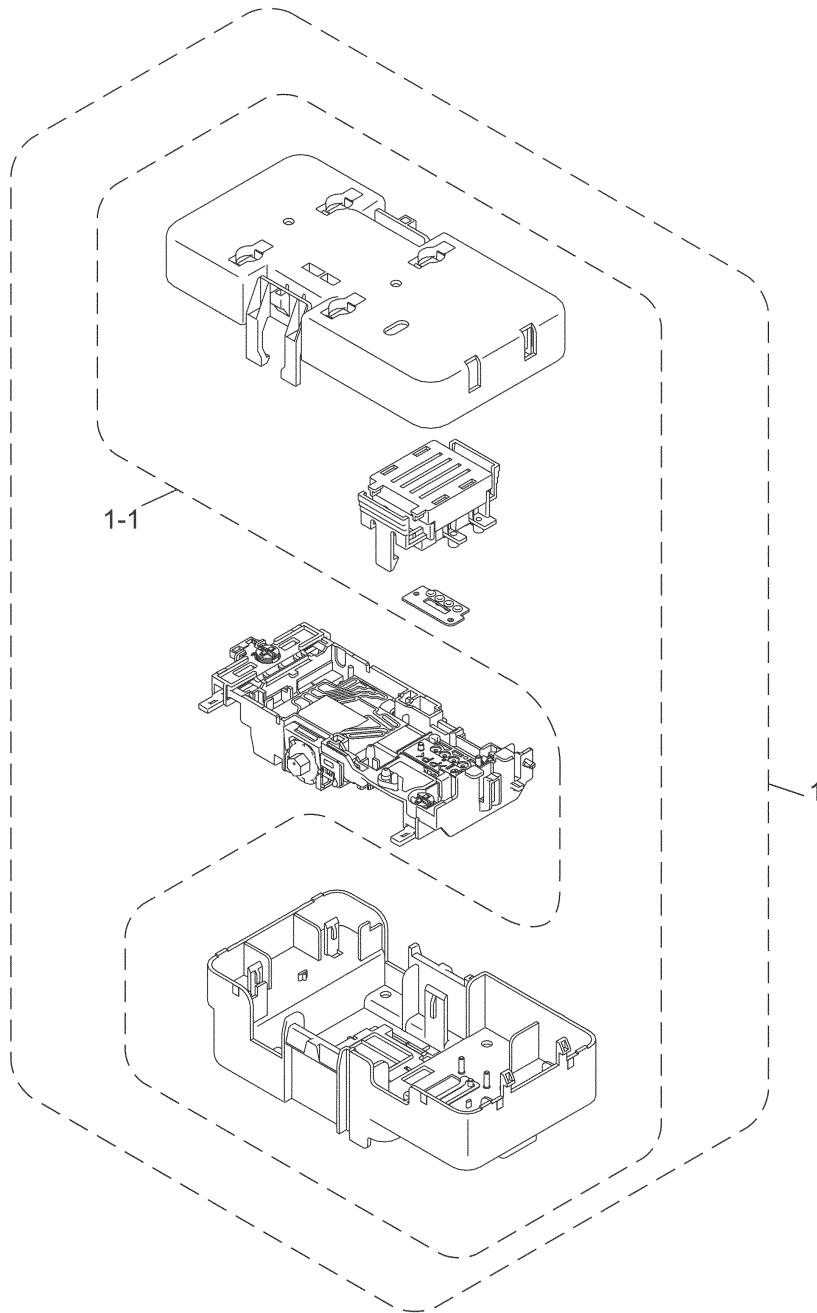
3 ENGINE



List3(ENGINE)

REF No.	CODE	Q'TY	DESCRIPTION	REMARKS
1	LX1876001	1	ENGINE UNIT (SP), DCP-J715W/MFC-J615W/MFC-J630W	
1	LS6537001	1	ENGINE UNIT (SP), DCP-J315W/MFC-J265W	
1-1	LS4301001	1	STAR WHEEL HOLDER	
1-2	LS4304001	1	PLATEN M ASSY, DCP-J715W/MFC-J615W/MFC-J630W	
1-2	LS4303001	1	PLATEN F ASSY, DCP-J315W/MFC-J265W	
1-3	LX3629001	1	CARRIAGE MOTOR	
1-4	LP1471001	1	RF ENCODER DISK	
1-5	LS4249001	1	INNER CHUTE ASSY	
1-5-1	LS4251001	1	REGISTRATION SENSOR ACTUATOR	
1-6	LT0466001	1	SENSOR HARNESS UNIT	
1-7	LS4198001	1	TIMING BELT	
1-8	LS4260001	1	ASF GEAR SHAFT OUTER	
1-9	LX0126001	1	ASF ROLLER 9 UNIT ASSY	
1-10	LS4467001	1	ENCODER STRIP	
1-11	000300606	2	SCREW BIND M3X6	
1-12	000021206	1	SCREW BIND M2X12	
1-13	LS4120001	1	PE ACTUATOR 9 ASSY	
1-14	LS4075001	1	PE ACTUATOR SPRING	
2	LS4253003	1	JAM CLEAR COVER	
3	LS4383001	1	HEAD COVER	
4	LX0376001	1	TUBE SUPPORT PLATE	
5	LS4469001	1	TUBE SUPPORT WIRE	
6	LS6543001	1	CARRIAGE PCB ASSY (SP)	
7	LS6544001	1	MAINTENANCE UNIT (SP)	
7-1	LS4091001	1	ASF MOTOR	
7-2	LS4098001	1	SWITCHING LEVER GUIDE	
7-3	LS4375001	2	SCREW PAN (S/P WASHER) M3X5	
8	LS5775001	1	EARTH SPRING	
9	087311016	3	TAPTITE CUP B M3X10	

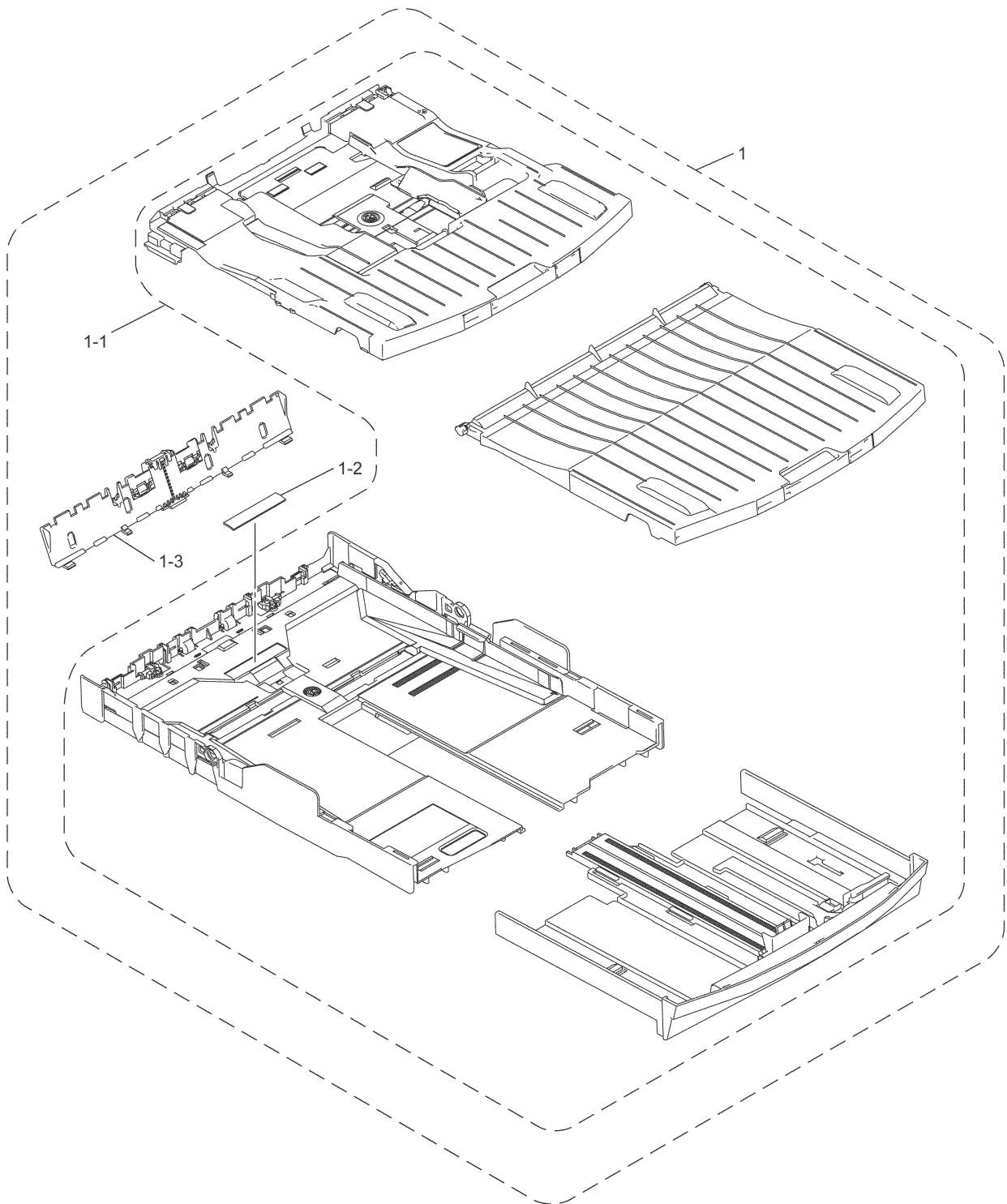
4 HEAD



List4(HEAD)

REF No.	CODE	Q'TY	DESCRIPTION	REMARKS
1	LK3211001	1	HEAD/CARRIAGE UNIT (SP)	
1-1	LK3216001	1	HEAD CASING ASSY(SP)	

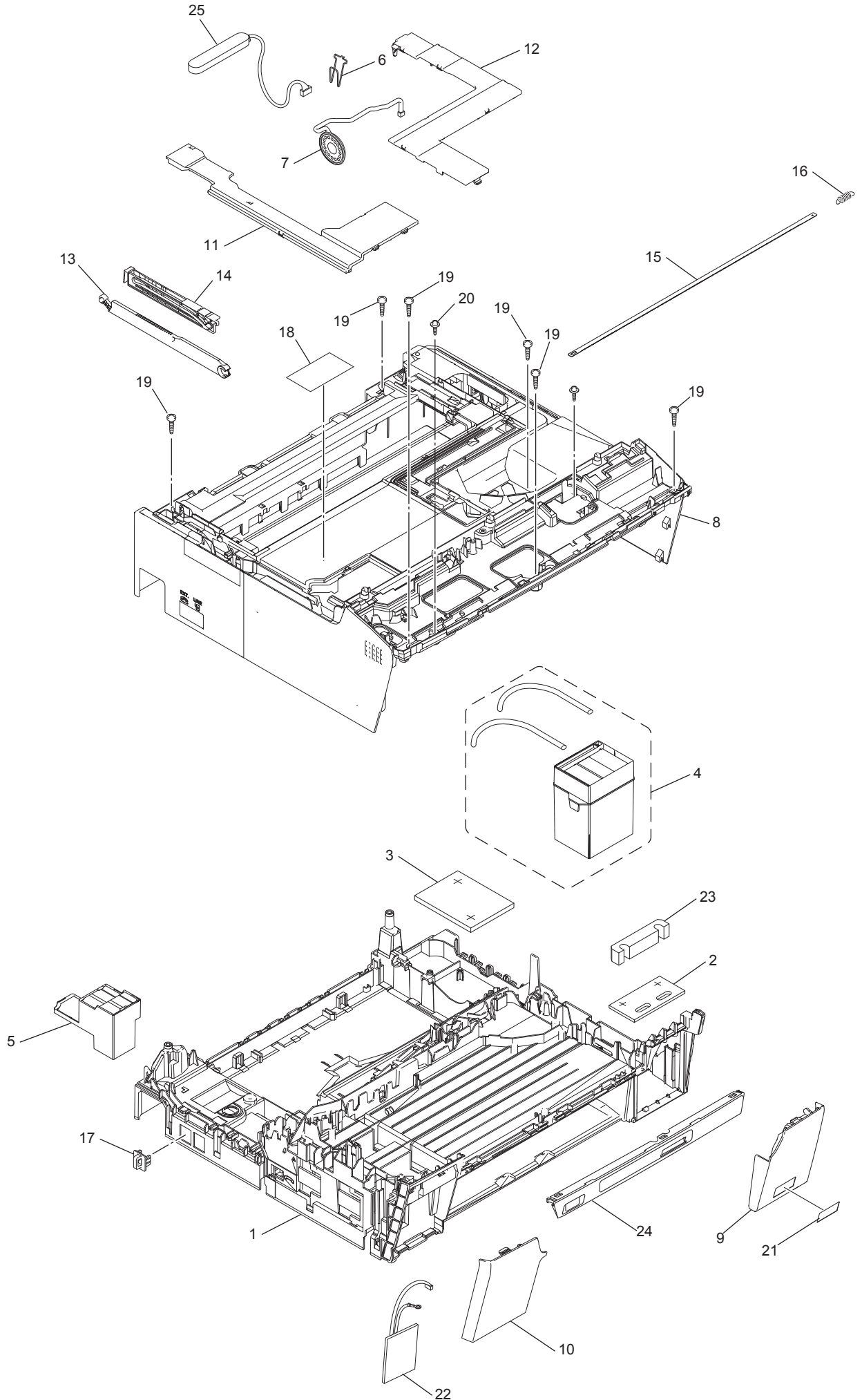
5 PAPER TRAY



List5(PAPER TRAY)

REF No.	CODE	Q'TY	DESCRIPTION	REMARKS
1	LS6841004	1	PAPER TRAY ASSY (SP), DCP-J315W/MFC-J265W	
1	LS6840001	1	PAPER TRAY ASSY (SP), DCP-J715W/MFC-J615W/MFC-J630W	
1-1	LS6839004	1	OUTPUT PAPER TRAY COVER (SP), DCP-J315W/MFC-J265W	
1-1	LS6837001	1	OUTPUT PAPER TRAY COVER (SP), DCP-J715W/MFC-J615W/MFC-J630W	
1-2	LP1575001	1	BASE PAD	
1-3	LS4269001	1	BANK ASSY	

6 COVER

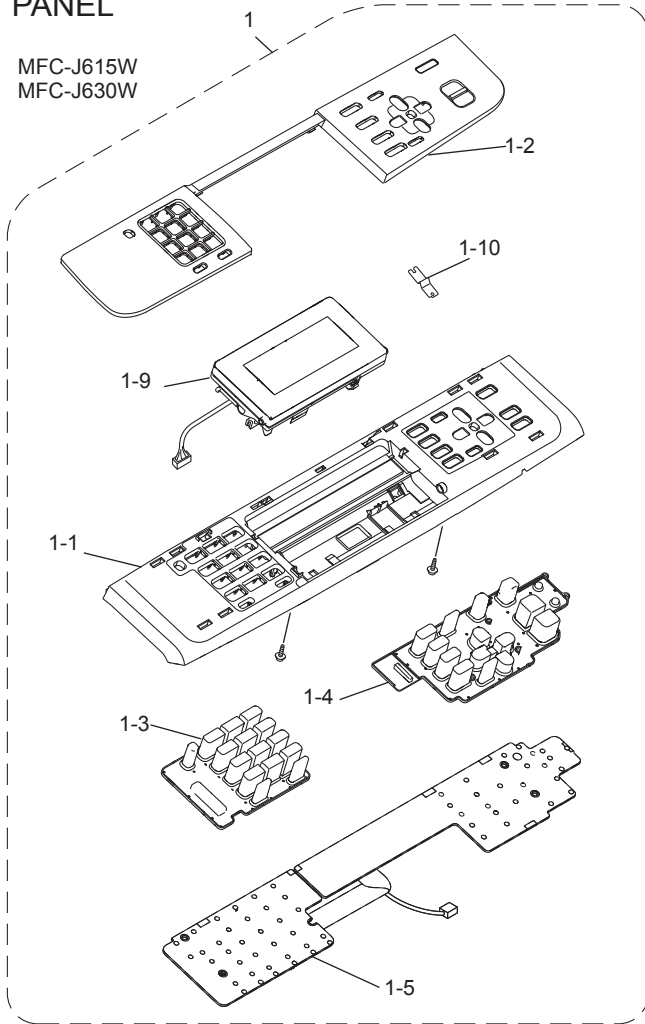


List6(COVER)

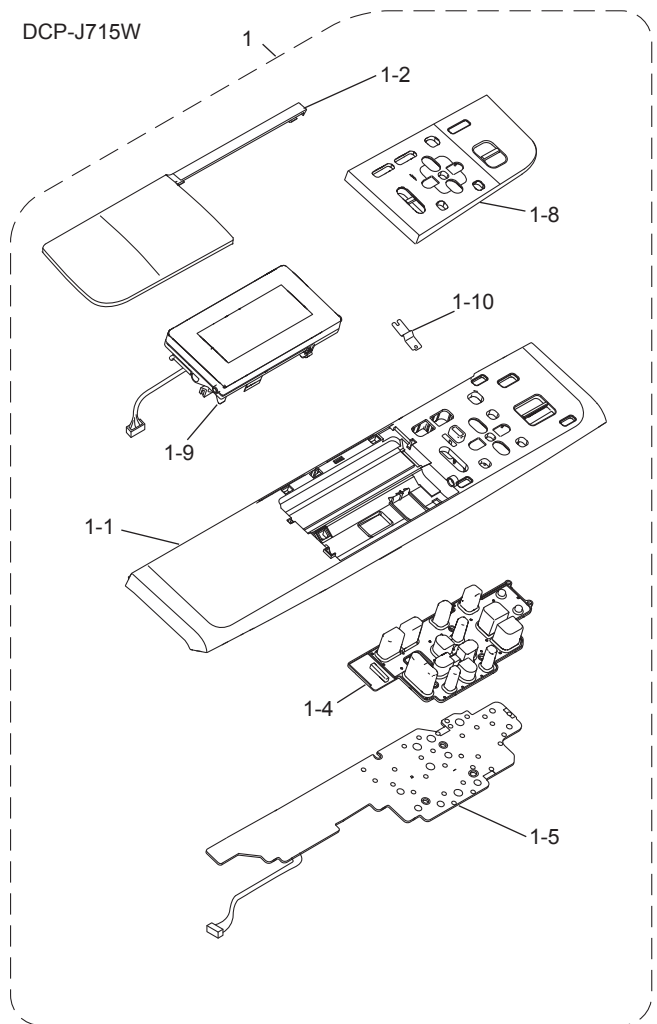
REF No.	CODE	QTY	DESCRIPTION	SYMBOL	REMARKS
1	LS5134001	1	LOWER COVER		
2	LS4699001	1	INK ABSORBER FELT (INK ABSORBER BOX LOWER)		
3	LS5136001	1	INK ABSORBER FELT (MAINTENANCE UNIT)		
4	LS6842001	1	INK ABSORBER TUBE ASSY (SP)		
5	LS5141001	1	FLUSHING BOX		
6	LS5334001	1	SPEAKER SPRING, MFC-J265W/MFC-J615W/MFC-J630W		
7	LT0520001	1	SPEAKER, MFC-J265W/MFC-J615W/MFC-J630W		
8	LS6852002	1	UPPER COVER (SP), DCP-J315W		
8	LS6853001	1	UPPER COVER (SP), DCP-J715W		
8	LX6973001	1	UPPER COCER (SP), MFC-J265W		
8	LS6845001	1	UPPER COVER (SP), MFC-J615W/MFC-J630W		
9	LX1976007	1	INK CARTRIDGE COVER		
10	LX1977007	1	FRONT COVER		
11	LS5154007	1	HARNESS COVER, DCP-J315W/DCP-J715W/MFC-J265W/MFC-J615W/MFC-J630W		
12	LS5155007	1	CIS FLAT CABLE COVER		
13	LS5156002	1	SCANNER COVER SUPPORT		
14	LS5159001	1	SCANNER COVER DAMPER		
15	LS6316001	1	ENCODER GUARD FILM		
16	LS6317001	1	ENCODER GUARD SPRING		
17	LE8842001	1	EXT CAP, MFC-J265W/MFC-J615W/MFC-J630W FOR US/CAN/SPA		
17	UF5745000	1	MJ COVER EXT, MFC-J615W FOR GER/UK/FRA/ITA		
18	LS5964001	1	ENCODER CAUTION LABEL		
19	085411216	6	TAPTITE BIND B M4X12		
20	087311016	1	TAPTITE CUP B M3X10		
21	LX3721001	1	INNOBELLA LABEL FOR US		
21	LX3722001	1	INNOBELLA LABEL EXCEPT FOR US		
22	LT1368001	1	WLAN PCB		
23	LX6286001	1	INK ABSORBER FELT (INK ABSORBER BOX UPPER)		
24	LX1978001	1	MEDIA MODULE COVER, DCP-J715W/MFC-J615W/MFC-J630W		
24	LX3104001	1	MEDIA MODULE COVER, DCP-J315W/MFC-J265W		
25	---	1	Not used		

7 PANEL

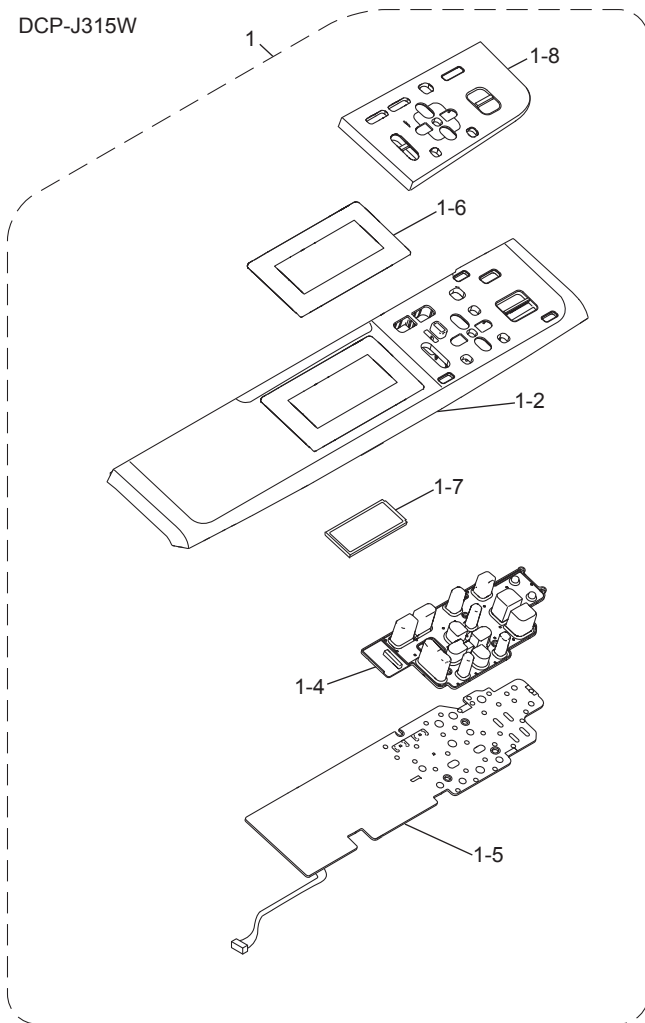
MFC-J615W
MFC-J630W



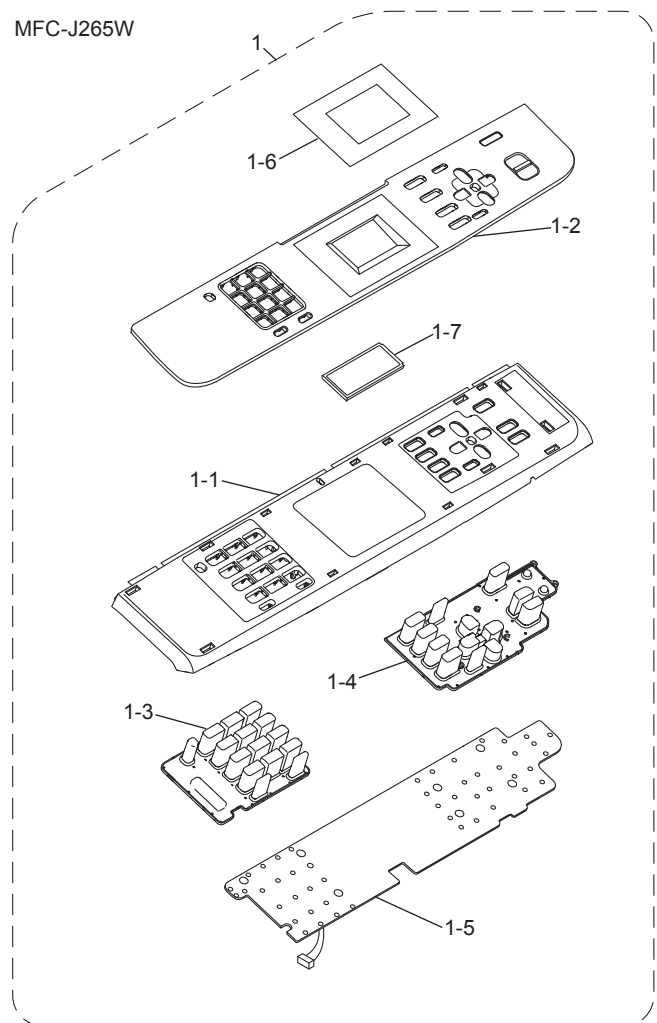
DCP-J715W



DCP-J315W

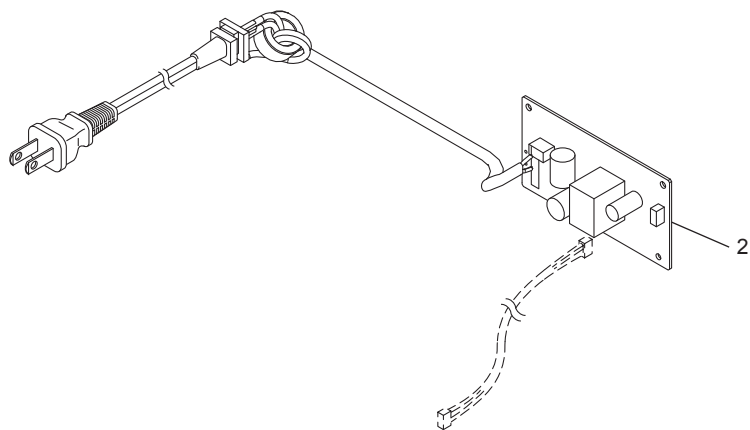
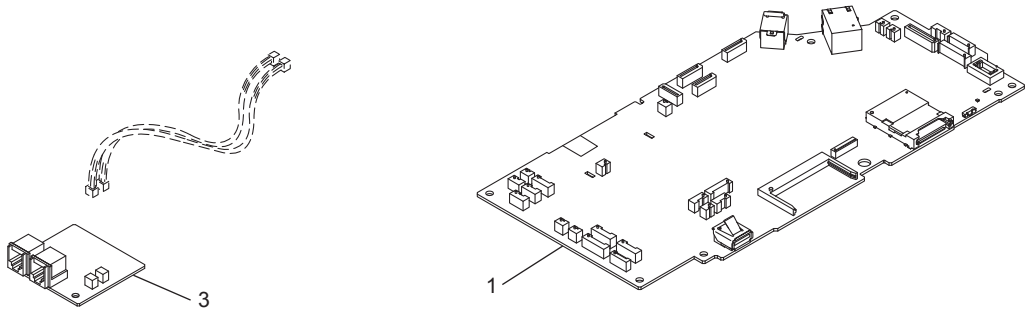


MFC-J265W



List7(PANEL)

REF No.	CODE	Q'TY	DESCRIPTION	SYMBOL	REMARKS
1	LX3681001	1	CONTROL PANEL ASSY, MFC-J265W FOR US		
1	LX1980001	1	CONTROL PANEL ASSY, MFC-J615W FOR US/CAN		
1	LX6425001	1	CONTROL PANEL ASSY, MFC-J630W FOR US		
1	LX3302001	1	CONTROL PANEL ASSY, DCP-J315W FOR GER		
1	LX3997001	1	CONTROL PANEL ASSY, DCP-J715W FOR GER		
1	LX6324001	1	CONTROL PANEL ASSY, MFC-J615W FOR GER		
1	LX3719001	1	CONTROL PANEL ASSY, DCP-J315W FOR UK		
1	LX3130001	1	CONTROL PANEL ASSY, DCP-J715W FOR UK/PND		
1	LX3628001	1	CONTROL PANEL ASSY, MFC-J615W FOR UK		
1	LX6232001	1	CONTROL PANEL ASSY, DCP-J315W FOR FRA/IBR		
1	LX6094001	1	CONTROL PANEL ASSY, DCP-J715W FOR FRA/CHE/IBR		
1	LX6325001	1	CONTROL PANEL ASSY, MFC-J615W FOR FRA		
1	LX6326001	1	CONTROL PANEL ASSY, MFC-J615W FOR SPA		
1	LX1310001	1	CONTROL PANEL ASSY, DCP-J315W FOR ITA		
1	LX6089001	1	CONTROL PANEL ASSY, DCP-J715W FOR ITA		
1	LX6327001	1	CONTROL PANEL ASSY, MFC-J615W FOR ITA		
1-1	LX3131007	1	CONTROL PANEL BASE, DCP-J715W		
1-1	LX3109007	1	CONTROL PANEL BASE, MFC-J265W		
1-1	LX1981007	1	CONTROL PANEL BASE, MFC-J615W/MFC-J630W		
1-2	LX3720001	1	PRINTED PANEL PLATE, DCP-J315W		
1-2	LX3134001	1	PRINTED PANEL PLATE, DCP-J715W		
1-2	LX3114001	1	PRINTED PANEL PLATE, MFC-J265W FOR US		
1-2	LX1987001	1	PRINTED PANEL PLATE, MFC-J615W/MFC-J630W FOR US/CAN		
1-2	LX6328001	1	PRINTED PANEL PLATE, MFC-J615W FOR GER		
1-2	LX3627001	1	PRINTED PANEL PLATE, MFC-J615W FOR UK		
1-2	LX6329001	1	PRINTED PANEL PLATE, MFC-J615W FOR FRA		
1-2	LX6330001	1	PRINTED PANEL PLATE, MFC-J615W FOR SPA		
1-2	LX6331001	1	PRINTED PANEL PLATE, MFC-J615W FOR ITA		
1-3	LX3110001	1	RUBBER KEYPAD L, MFC-J265W		
1-3	LX1989001	1	RUBBER KEYPAD L, MFC-J615W/MFC-J630W		
1-4	LX3125001	1	RUBBER KEYPAD, DCP-J315W/DCP-J715W		
1-4	LX3112001	1	RUBBER KEYPAD R, MFC-J265W		
1-4	LX1991001	1	RUBBER KEYPAD R, MFC-J615W/MFC-J630W		
1-5	LT0994001	1	CONTROL PANEL PCB ASSY, DCP-J315W	B57U058	
1-5	LT0990002	1	CONTROL PANEL PCB ASSY, DCP-J715W	B57U056	
1-5	LT0992001	1	CONTROL PANEL PCB ASSY, MFC-J265W	B57U057	
1-5	LT1086001	1	CONTROL PANEL PCB ASSY, MFC-J615W/MFC-J630W	B57U055	
1-6	LX3958001	1	PRINTED LCD SHEET, DCP-J315W		
1-6	LX3682001	1	PRINTED LCD SHEET, MFC-J265W		
1-7	A63045001	1	COLOR LCD, DCP-J315W/MFC-J265W		
1-8	LX6440001	1	EX PANEL ASSY, DCP-J315W FOR GER (GERMAN)		
1-8	LX6415001	1	EX PANEL ASSY, DCP-J715W FOR GER/CHE (GERMAN)		
1-8	LX6932001	1	EX PANEL ASSY, DCP-J315W FOR UK (ENGLISH)		
1-8	LX6472001	1	EX PANEL ASSY, DCP-J715W FOR UK/PND (ENGLISH)		
1-8	LX6233001	1	EX PANEL ASSY, DCP-J315W FOR FRA (FRENCH)		
1-8	LX6235001	1	EX PANEL ASSY, DCP-J315W FOR FRA (DUTCH)		
1-8	LX6095001	1	EX PANEL ASSY, DCP-J715W FOR FRA/CHE (FRENCH)		
1-8	LX6098001	1	EX PANEL ASSY, DCP-J715W FOR FRA (DUTCH)		
1-8	LX6231001	1	EX PANEL ASSY, DCP-J315W FOR ITA		
1-8	LX6090001	1	EX PANEL ASSY, DCP-J715W FOR ITA		
1-8	LX6237001	1	EX PANEL ASSY, DCP-J315W FOR IBR (SPANISH)		
1-8	LX6239001	1	EX PANEL ASSY, DCP-J315W FOR IBR (PORTUGUESE)		
1-8	LX6099001	1	EX PANEL ASSY, DCP-J715W FOR IBR (SPANISH)		
1-8	LX6100001	1	EX PANEL ASSY, DCP-J715W FOR IBR (PORTUGUESE)		
1-9	LX3132001	1	COLOR LCD UNIT, DCP-J715W		
1-9	LX1982001	1	COLOR LCD UNIT, MFC-J615W		
1-9	LX6426001	1	COLOR LCD UNIT, MFC-J630W		
1-10	LX3978001	1	LATCH SPRING		

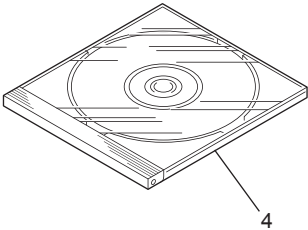
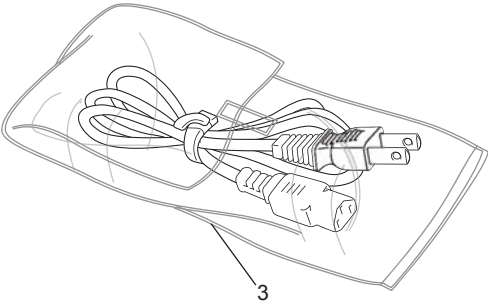
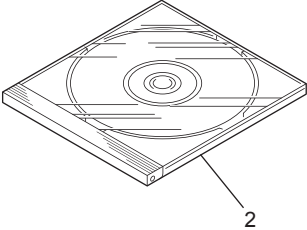
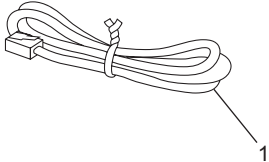


List8(PCB)

REF No.	CODE	Q'TY	DESCRIPTION	SYMBOL	REMARKS
1	LT1068011	1	MAN PCB, DCP-J315W	B57U051	
1	LT1053011	1	MAIN PCB, DCP-J715W	B57U050	
1	LT1070031	1	MAIN PCB, MFC-J265W	B57U051	
1	LT1052001	1	MAIN PCB,MFC-J615W/MFC-J630W*	B57U050	
2	LT1075001	1	POWER SUPPLY PCB FOR US/CAN		
2	LT0485001	1	POWER SUPPLY PCB FOR EXCEPT FOR US/CAN		
3	LT1022001	1	MJ PCB, MFC-J265W/MFC-J615W/MFC-J630W FOR US/CAN	B57U053	
3	LT1022004	1	MJ PCB, MFC-J615W EXCEPT FOR US/CAN	B57U053	

* First 3-months production only

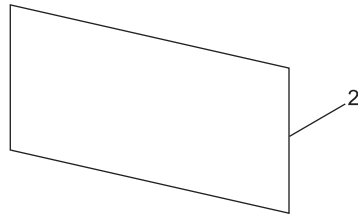
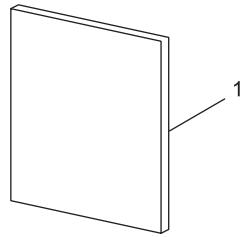
9 ACCESSORIES



List9(Accessories)

REF No.	CODE	QTY	DESCRIPTION	REMARKS
1	LG3077001	1	TELEPHONE LINE CORD CSA, MFC-J265W/MFC-J615W/MFC-J630W FOR US/CAN/UK/SPA	
1	UG3625001	1	TELEPHONE LINE CORD, MFC-J615W FOR GER	
1	UG3626001	1	TELEPHONE LINE CORD, MFC-J615W FOR UK	
1	UG3627001	1	TELEPHONE LINE CORD, MFC-J615W FOR FRA	
1	UG3634001	1	TELEPHONE LINE CORD, MFC-J615W FOR ITA	
2	LX6039001	1	CD-ROM ASSY, MFC-J265W FOR US	
2	LX6058001	1	CD-ROM ASSY, MFC-J615W FOR US/CAN	
2	LX6391001	1	CD-ROM ASSY, MFC-J630W FOR US	
2	LX6009001	1	CD-ROM ASSY, DCP-J315W FOR GER/UK	
2	LX6025001	1	CD-ROM ASSY, DCP-J715W FOR GER/UK/CHE	
2	LX6059001	1	CD-ROM ASSY, MFC-615W FOR GER/UK/FRA	
2	LX6011001	1	CD-ROM ASSY, DCP-J315W FOR FRA	
2	LX6027001	1	CD-ROM ASSY, DCP-J715W FOR FRA	
2	LX6060001	1	CD-ROM ASSY, MFC-J615W FOR SPA/ITA	
2	LX6010001	1	CD-ROM ASSY, DCP-J315W FOR ITA/IBR	
2	LX6026001	1	CD-ROM ASSY, DCP-J715W FOR ITA/IBR	
2	LX6028001	1	CD-ROM ASSY, DCP-J715W FOR PND	
3	LG5717001	1	AC CORD BAG ASSY LF VDE FOR GER/FRA/SPA/ITA/PND/IBR	
3	LG5692001	1	AC CORD BAG ASSY LF FOR UK	
3	LG5732001	1	AC CORD BAG ASSY LF SEV FOR CHE	
3	LG5736001	1	AC CORD BAG ASSY LF DEMKO FOR PND	
4	LX6158001	1	CD USER'S GUIDE, DCP-J315W	
4	LX6168001	1	CD USER'S GUIDE, MFC-J265W	
4	LX6174001	1	CD USER'S GUIDE, MFC-J615W/MFC-J630W	
4	LX6163001	1	CD USER'S GUIDE, DCP-J715W FOR GER/UK/FRA/ITA/IBR	
4	LX6164001	1	CD USER'S GUIDE, DCP-J715W FOR CHE/PND	

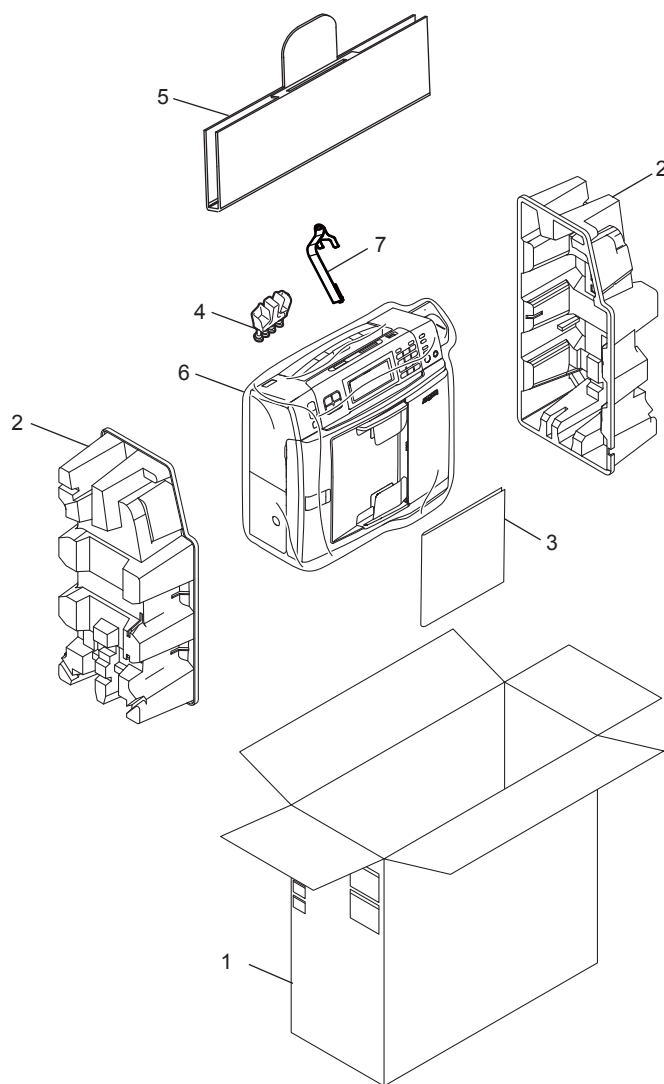
10 PRINTED MATERIALS



List10(PRINTED MATERIALS)

REF No.	CODE	Q'TY	DESCRIPTION	REMARKS
1	LX6182001	1	USER'S GUIDE, MFC-J265W FOR US (ENGLISH)	
1	LX3937001	1	USER'S GUIDE, MFC-J615W/MFC-J630W FOR US	
1	LX3937072	1	USER'S GUIDE, MFC-J615W FOR CAN (ENGLISH)	
1	LX3937002	1	USER'S GUIDE, MFC-J615W FOR CAN (FRENCH)	
1	LX6202003	1	USER'S GUIDE, DCP-J315W FOR GER (GERMAN)	
1	LX6072003	1	USER'S GUIDE, DCP-J715W FOR GER/CHE (GERMAN)	
1	LX6337003	1	USER'S GUIDE, MFC-J615W FOR GER	
1	LX6202004	1	USER'S GUIDE, DCP-J315W FOR UK	
1	LX6072004	1	USER'S GUIDE, DCP-J715W FOR UK	
1	LX6337004	1	USER'S GUIDE, MFC-J615W FOR UK	
1	LX6202005	1	USER'S GUIDE, DCP-J315W FOR FRA (FRENCH)	
1	LX6072005	1	USER'S GUIDE, DCP-J715W FOR FRA/CHE (FRENCH)	
1	LX6202009	1	USER'S GUIDE, DCP-J315W FOR FRA (DUTCH)	
1	LX6072009	1	USER'S GUIDE, DCP-J715W FOR FRA (DUTCH)	
1	LX6337005	1	USER'S GUIDE, MFC-J615W FOR FRA	
1	LX6337015	1	USER'S GUIDE, MFC-J615W FOR SPA	
1	LX6202016	1	USER'S GUIDE, DCP-J315W FOR ITA	
1	LX6072016	1	USER'S GUIDE, DCP-J715W FOR ITA	
1	LX6337016	1	USER'S GUIDE, MFC-J615W FOR ITA	
1	LX6202015	1	USER'S GUIDE, DCP-J315W FOR IBR (SPANISH)	
1	LX6072015	1	USER'S GUIDE, DCP-J715W FOR IBR (SPANISH)	
1	LX6202018	1	USER'S GUIDE, DCP-J315W FOR IBR (PORTUGUESE)	
1	LX6072018	1	USER'S GUIDE, DCP-J715W FOR IBR (PORTUGUESE)	
1	LX6437007	1	USER'S GUIDE, DCP-J715W FOR PND (NORWEGIAN/SWEDISH)	
1	LX6437013	1	USER'S GUIDE, DCP-J715W FOR PND (FINNISH/DANISH)	
2	LX3946001	1	FRENCH SEAL, MFC-J615W FOR CAN	

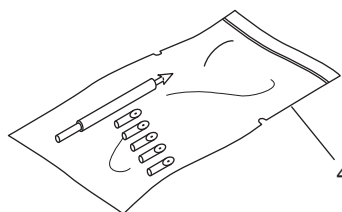
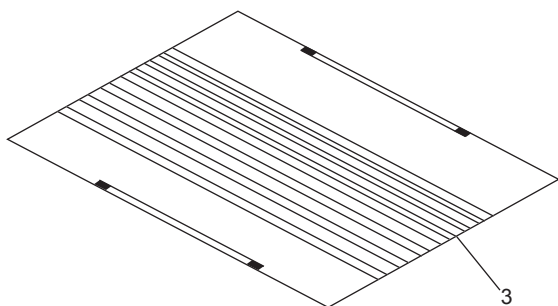
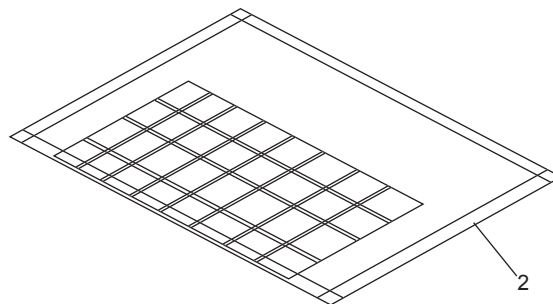
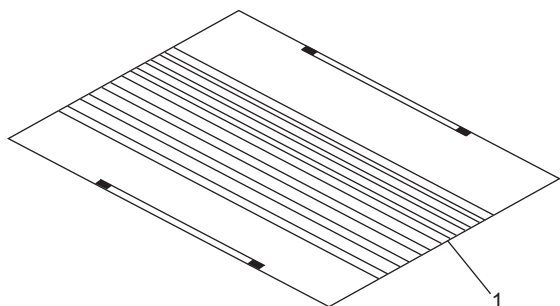
11 PACKAGING



List11(PACKAGING)

REF No.	CODE	QTY	DESCRIPTION	REMARKS
1	LX6249001	1	CARTON BROTHER, MFC-J265W FOR US	
1	LX3939001	1	CARTON BROTHER, MFC-J615W FOR US	
1	LX6428001	1	CARTON BROTHER, MFC-J630W FOR US	
1	LX3945001	1	CARTON BROTHER, MFC-J615W FOR CAN	
1	LX6210001	1	CARTON BROTHER, DCP-J315W FOR GER	
1	LX6073001	1	CARTON BROTHER, DCP-J715W FOR GER/CHE	
1	LX6338001	1	CARTON BROTHER, MFC-J615W FOR GER	
1	LX6211001	1	CARTON BROTHER, DCP-J315W FOR UK	
1	LX6085001	1	CARTON BROTHER, DCP-J715W FOR UK/PND	
1	LX6347001	1	CARTON BROTHER, MFC-J615W FOR UK	
1	LX6212001	1	CARTON BROTHER, DCP-J315W FOR FRA	
1	LX6110001	1	CARTON BROTHER, DCP-J715W FOR FRA	
1	LX6349001	1	CARTON BROTHER, MFC-J615W FOR FRA	
1	LX6351001	1	CARTON BROTHER, MFC-J615W FOR SPA/ITA	
1	LX6213001	1	CARTON BROTHER, DCP-J315W FOR ITA/IBR	
1	LX6092001	1	CARTON BROTHER, DCP-J715W FOR ITA/IBR	
2	LX3671001	1	PULP CUSHION ASSY, DCP-J315W/MFC-J265W	
2	LX3604001	1	PULP CUSHION ASSY, DCP-J715W/MFC-J615W/MFC-J630W	
3	LX6250001	1	QUICK SETUP GUIDE, MFC-J265W FOR US (ENGLISH)	
3	LX3938001	1	QUICK SETUP GUIDE, MFC-J615W/MFC-J630W FOR US/CAN (ENGLISH)	
3	LX3938002	1	QUICK SETUP GUIDE, MFC-J615W FOR CAN (FRENCH)	
3	LX6209003	1	QUICK SETUP GUIDE, DCP-J315W FOR GER (GERMAN)	
3	LX6075003	1	QUICK SETUP GUIDE, DCP-J715W FOR GER/CHE (GERMAN)	
3	LX6340003	1	QUICK SETUP GUIDE, MFC-J615W FOR GER	
3	LX6209004	1	QUICK SETUP GUIDE, DCP-J315W FOR UK	
3	LX6075004	1	QUICK SETUP GUIDE, DCP-J715W FOR UK	
3	LX6340004	1	QUICK SETUP GUIDE, MFC-J615W FOR UK	
3	LX6209005	1	QUICK SETUP GUIDE, DCP-J315W FOR FRA (FRENCH)	
3	LX6075005	1	QUICK SETUP GUIDE, DCP-J715W FOR FRA/CHE (FRENCH)	
3	LX6209009	1	QUICK SETUP GUIDE, DCP-J315W FOR FRA (DUTCH)	
3	LX6075009	1	QUICK SETUP GUIDE, DCP-J715W FOR FRA (DUTCH)	
3	LX6340005	1	QUICK SETUP GUIDE, MFC-J615W FOR FRA	
3	LX6340015	1	QUICK SETUP GUIDE, MFC-J615W FOR SPA	
3	LX6209016	1	QUICK SETUP GUIDE, DCP-J315W FOR ITA	
3	LX6075016	1	QUICK SETUP GUIDE, DCP-J715W FOR ITA	
3	LX6340016	1	QUICK SETUP GUIDE, MFC-J615W FOR ITA	
3	LX6075007	1	QUICK SETUP GUIDE, DCP-J715W FOR PND (NORWEGIAN)	
3	LX6075012	1	QUICK SETUP GUIDE, DCP-J715W FOR PND (FINNISH)	
3	LX6075013	1	QUICK SETUP GUIDE, DCP-J715W FOR PND (DANISH)	
3	LX6075026	1	QUICK SETUP GUIDE, DCP-715W FOR PND (SWEDISH)	
3	LX6209015	1	QUICK SETUP GUIDE, DCP-J315W FOR IBR (SPANISH)	
3	LX6075015	1	QUICK SETUP GUIDE, DCP-J715W FOR IBR (SPANISH)	
3	LX6209018	1	QUICK SETUP GUIDE, DCP-J315W FOR IBR (PORTUGUESE)	
3	LX6075018	1	QUICK SETUP GUIDE, DCP-J715W FOR IBR (PORTUGUESE)	
4	LK4424001	1	PROTECT CTG ASSY CLEANING (SP)	
5	LS5185001	1	ACCESSORIES SHEET, DCP-J315W	
5	LS5317001	1	ACCESSORIES SHEET, DCP-J715W/MFC-J630W FOR ALL COUNTRIES, MFC-J615W EXCEPT FOR US/CAN	
6	LS2696001	1	PE BAG 580X650H	
7	LS6205001	1	PAPER TRAY STOPPER LABEL ASSY, DCP-J715W/MFC-J615W/MFC-J630W	ADD

12 OTHERS



List12(OTHERS)

REF No.	CODE	Q'TY	DESCRIPTION	REMARKS
1	UF8263001	1	TEST CHART-027	
2	UF9258001	1	COLOR TEST CHART CTC-001	
3	UF4600001	1	CONTRAST CHART TC-023	
4	ZA0310001	1	HEAD CLEANER STICK ASSY	