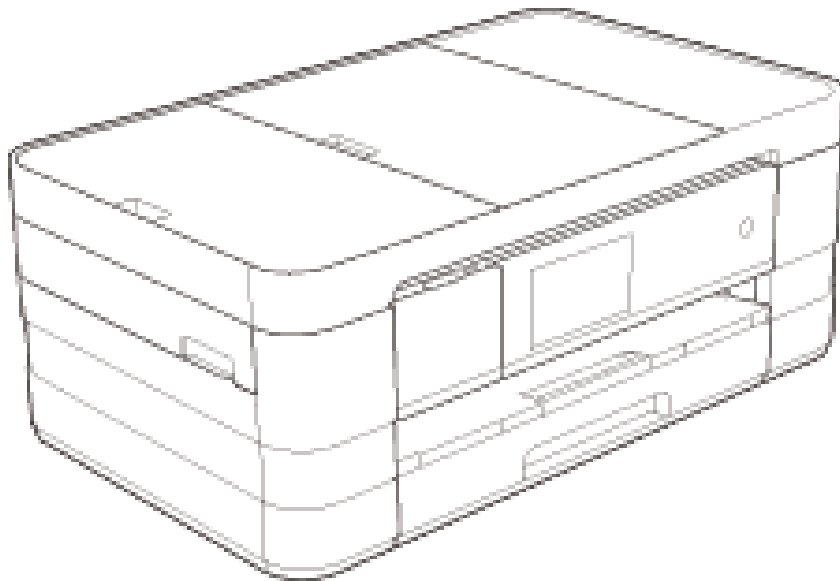




Inkjet MFC

PARTS REFERENCE LIST

**MODEL: DCP-J4110DW/
MFC-J2310/J2510/
J4310DW/J4410DW/
J4510DW/J4610DW/J4710DW**



Read this list thoroughly before maintenance work.

Keep this list in a convenient place for quick and easy reference at all times.

NOTE FOR USING THIS PARTS REFERENCE LIST

1. In the case of ordering parts, it is necessary to mention the following items;

- (1) Code
- (2) Q'ty
- (3) Description

Note: Orders without Parts Code or Tool No. can not be accepted.

< Example >

REF.NO.	(1) CODE	(2) Q'TY	(3) DESCRIPTION	REMARK

2. Design-changed parts :

If any of the parts is changed, one of the following symbols is indicated in the REMARK column.

CHG(chg) : The parts is changed to a new parts.

ADD(add) : The parts is newly added.

DEL(del) : The parts is deleted.

Symbol in capital letters indicates the latest parts change information in the page.

3. Parts change will be informed by the Parts change information.

4. Parts are subject to change in design without prior notice.

COUNTRIES AND AREAS

US ---- U.S.A.

CAN ---- CANADA

GER ---- GERMANY

UK ---- UNITED KINGDOM

FRA ---- FRANCE

BEL ---- BELGIUM

NLD ---- NETHERLANDS

CHE ---- SWITZERLAND

ITA ---- ITALY

ISR ---- ISRAEL

CHL ---- CHILE

CHN ---- CHINA

TWN ---- TAIWAN

HK ---- HONG KONG

IDN ---- INDONESIA

ARG ---- ARGENTINA

ASA ---- ASIA (SINGAPORE/GULF)

BRA ---- BRAZIL

KOR ---- KOREA

RUS ---- RUSSIA

OCE ---- OCEANIA

(AUSTRALIA/NEW ZEALAND)

PND ---- PAN-NORDIC

(NORWAY/FINLAND/DENMARK/SWEDEN)

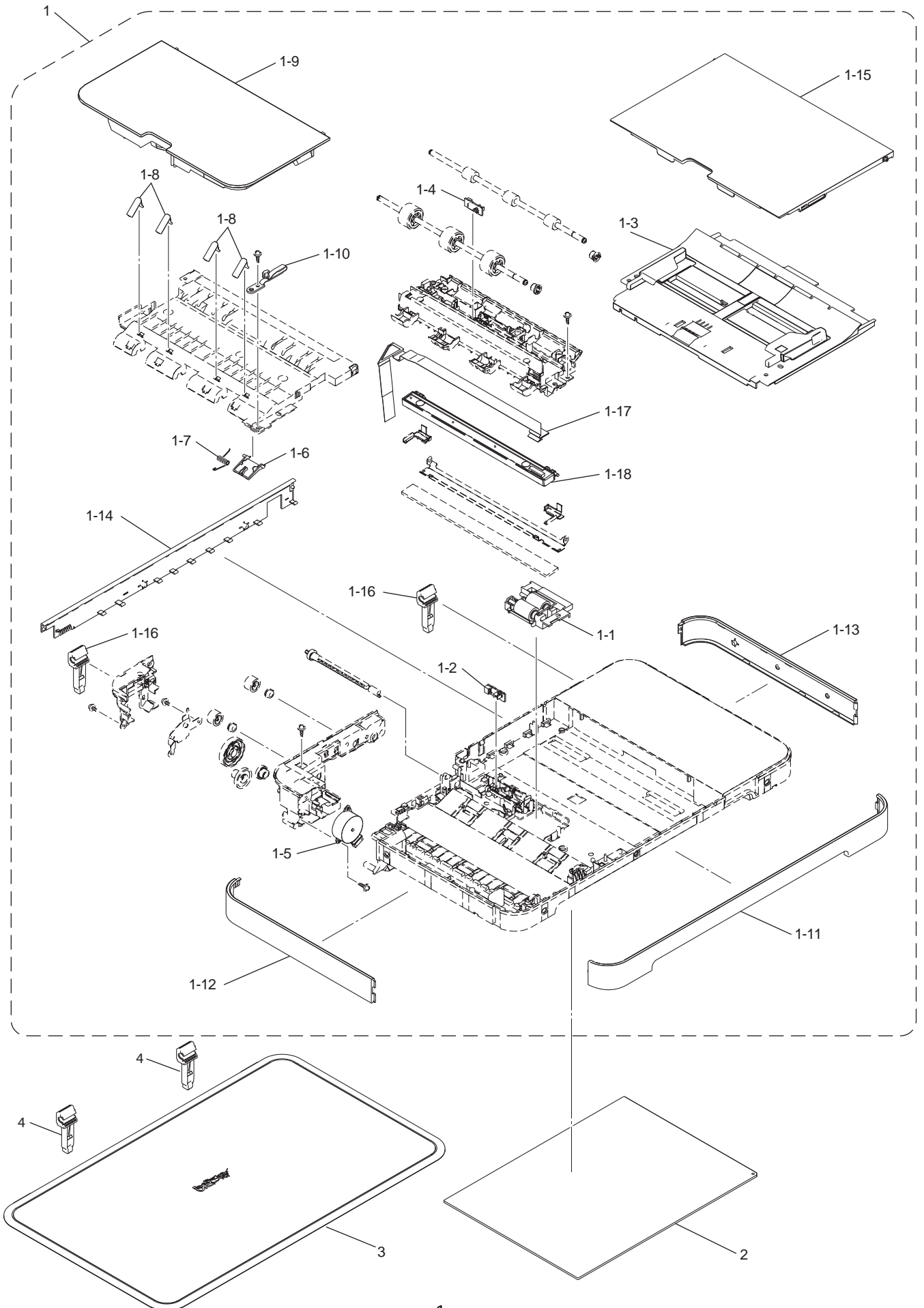
IBR ---- IBERIA (SPAIN/PORTUGAL)

CEE --- CEE GENERAL

CONTENTS

1.	<u>ADF & DOCUMENT COVER ASSY</u>	1
2.	<u>DOCUMENT SCANNER</u>	3
3.	<u>CARTRIDGE CASE</u>	5
4.	<u>ENGINE</u>	7
5.	<u>HEAD</u>	9
6.	<u>PAPER TRAY</u>	11
7.	<u>COVERS & LABELS</u>	13
8.	<u>PANEL</u>	15
9.	<u>PCB</u>	17
10.	<u>ACCESSORIES</u>	19
11.	<u>PRINTED MATERIALS</u>	21
12.	<u>PACKING MATERIALS</u>	25
13.	<u>OTHERS</u>	27
14.	<u>LOWER TRAY</u>	29

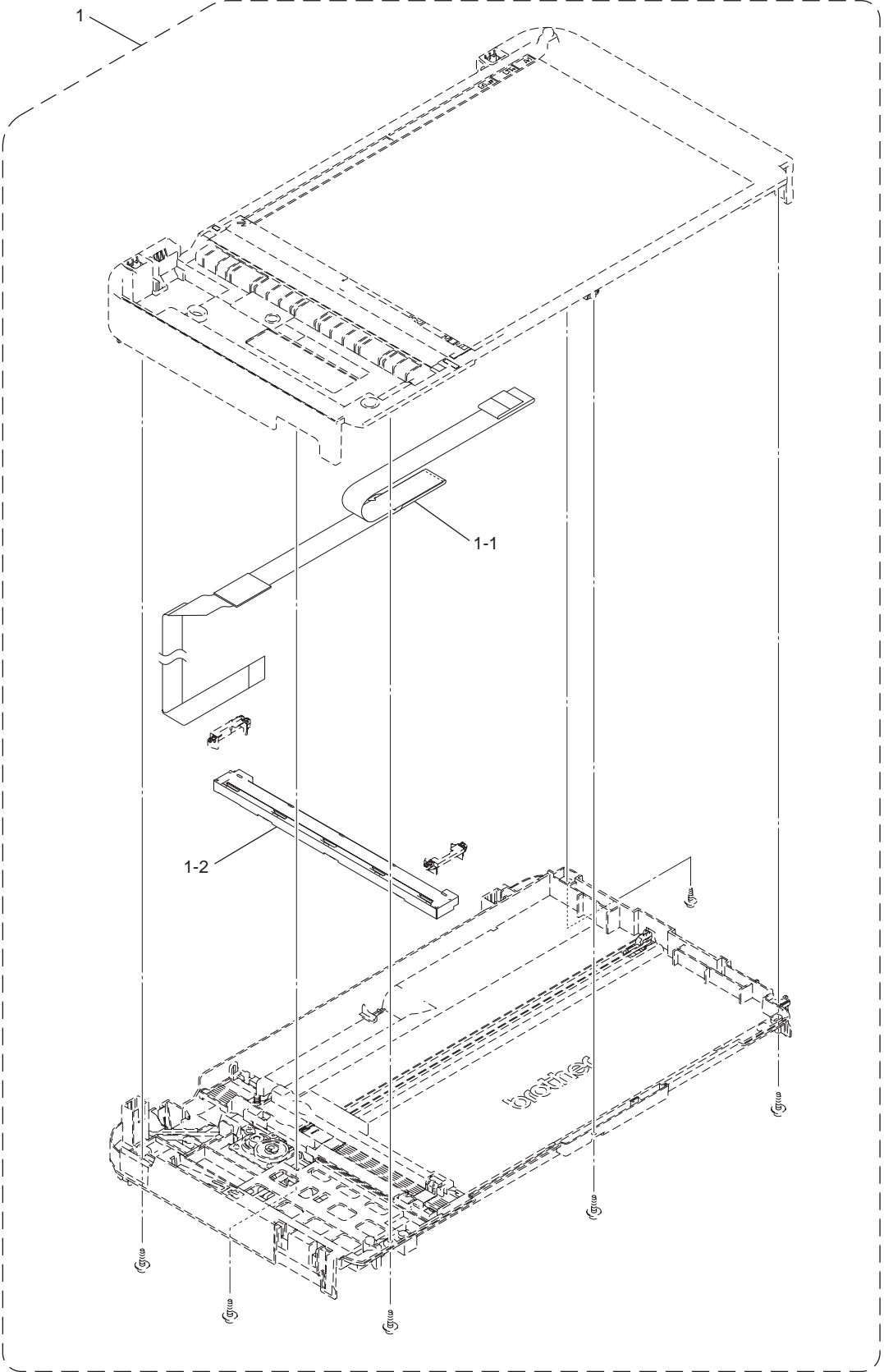
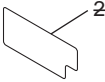
1. ADF & DOCUMENT COVER ASSY



1. ADF & DOCUMENT COVER ASSY

REF No.	CODE	Q'TY	DESCRIPTION	REMARKS
1	LEK765001	1	ADF UNIT (SP), MFC-J2510/J4410DW/J4510DW/J4610DW	
1	LEK766001	1	ADF UNIT (SP), MFC-J4710DW	
1-1	LED879001	1	DOCUMENT SEPARATE ROLLER ASSY, MFC-J2510/J4410DW/J4510DW/J4610DW/J4710DW	
1-2	LG6753001	1	DOCUMENT DETECTION SENSOR PCB, MFC-J2510/J4410DW/J4510DW/J4610DW/J4710DW	
1-3	LED880001	1	UPPER ADF CHUTE, MFC-J2510/J4410DW/J4510DW/J4610DW/J4710DW	
1-4	LG6753001	1	DOCUMENT SCANNING POSITION SENSOR PCB, MFC-J2510/J4410DW/J4510DW/J4610DW/J4710DW	
1-5	LED820001	1	ADF MOTOR, MFC-J2510/J4410DW/J4510DW/J4610DW/J4710DW	
1-6	LEG873001	1	ADF SEPARATION PAD, MFC-J2510/J4410DW/J4510DW/J4610DW/J4710DW	
1-7	LED208001	1	ADF SEPARATION SPRING, MFC-J2510/J4410DW/J4510DW/J4610DW/J4710DW	
1-8	LP1429001	4	EJECT FILM, MFC-J2510/J4410DW/J4510DW/J4610DW/J4710DW	
1-9	LED885001	1	ADF COVER ASSY, MFC-J2510/J4410DW/J4510DW/J4610DW/J4710DW	
1-10	LED823001	1	ADF COVER SUPPORT BAND, MFC-J2510/J4410DW/J4510DW/J4610DW/J4710DW	
1-11	LED214022	1	ADF FRONT COVER, MFC-J2510/J4410DW/J4510DW/J4610DW/J4710DW	
1-12	LED215022	1	ADF SIDE COVER L, MFC-J2510/J4410DW/J4510DW/J4610DW/J4710DW	
1-13	LED216022	1	ADF SIDE COVER R, MFC-J2510/J4410DW/J4510DW/J4610DW/J4710DW	
1-14	LED217022	1	ADF BACK COVER, MFC-J2510/J4410DW/J4510DW/J4610DW/J4710DW	
1-15	LED218007	1	ADF DOCUMENT SUPPORT, MFC-J2510/J4410DW/J4510DW/J4610DW/J4710DW	
1-16	LED245022	2	ADF HINGE, MFC-J2510/J4410DW/J4510DW/J4610DW/J4710DW	
1-17	LEG382001	1	SECOND SIDE CIS FLAT CABLE, MFC-J4710DW	
1-18	LT1713001	1	SECOND SIDE CIS UNIT, MFC-J4710DW	
2	LEK751001	1	DOCUMENT SPONGE (SP), MFC-J2510/J4410DW/J4510DW/J4610DW/J4710DW	
3	LEK788001	1	DOCUMENT COVER ASSY (SP), DCP-J4110DW/MFC-J2310/J4310DW	
4	LEG145007	2	HINGE ARM, DCP-J4110DW/MFC-J2310/J4310DW	

2. DOCUMENT SCANNER

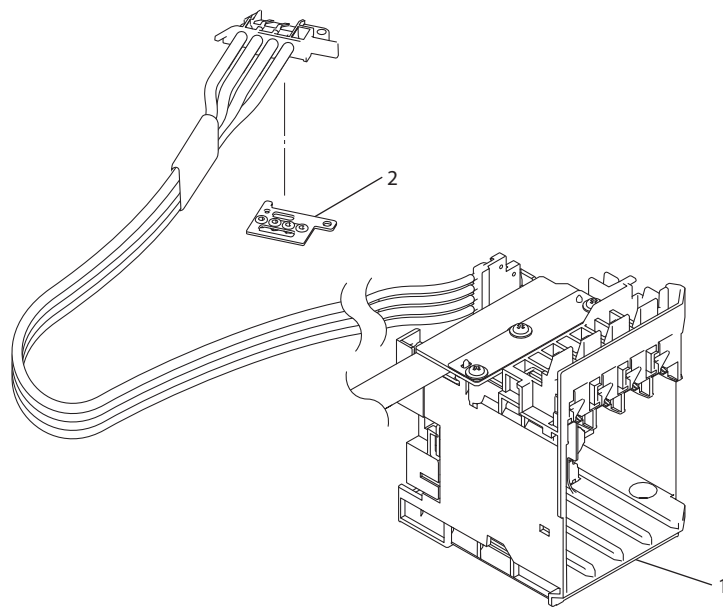


2. DOCUMENT SCANNER

REF No.	CODE	Q'TY	DESCRIPTION	REMARKS
1	LEG548001	1	DOCUMENT SCANNER UNIT (SP), DCP-J4110DW/MFC-J2310/J4310DW	
1	LEG552001	1	DOCUMENT SCANNER UNIT (SP), MFC-J2510/J4410DW/J4510DW/J4610DW	
1	LEG553001	1	DOCUMENT SCANNER UNIT (SP), MFC-J4710DW	
1-1	LT2157001	1	FIRST SIDE CIS FLAT CABLE	
1-2	LT2087001	1	FIRST SIDE CIS UNIT	
2	LEK803004	4	USER ACCESS PORT LABEL, DCP-J4110DW*	CHG
2	LEK768004	4	USER ACCESS PORT LABEL, MFC-J2310/J4310DW*	CHG
2	LED913004	4	USER ACCESS PORT LABEL, MFC-J2510/J4410DW/J4510DW/J4610DW/J4710DW*	CHG

*USER ACCESS PORT LABEL was moved to "Parts List:7 COVERS & LABELS REF No.24".
Please refer to the Parts Change Information:1000044094 for the detail.

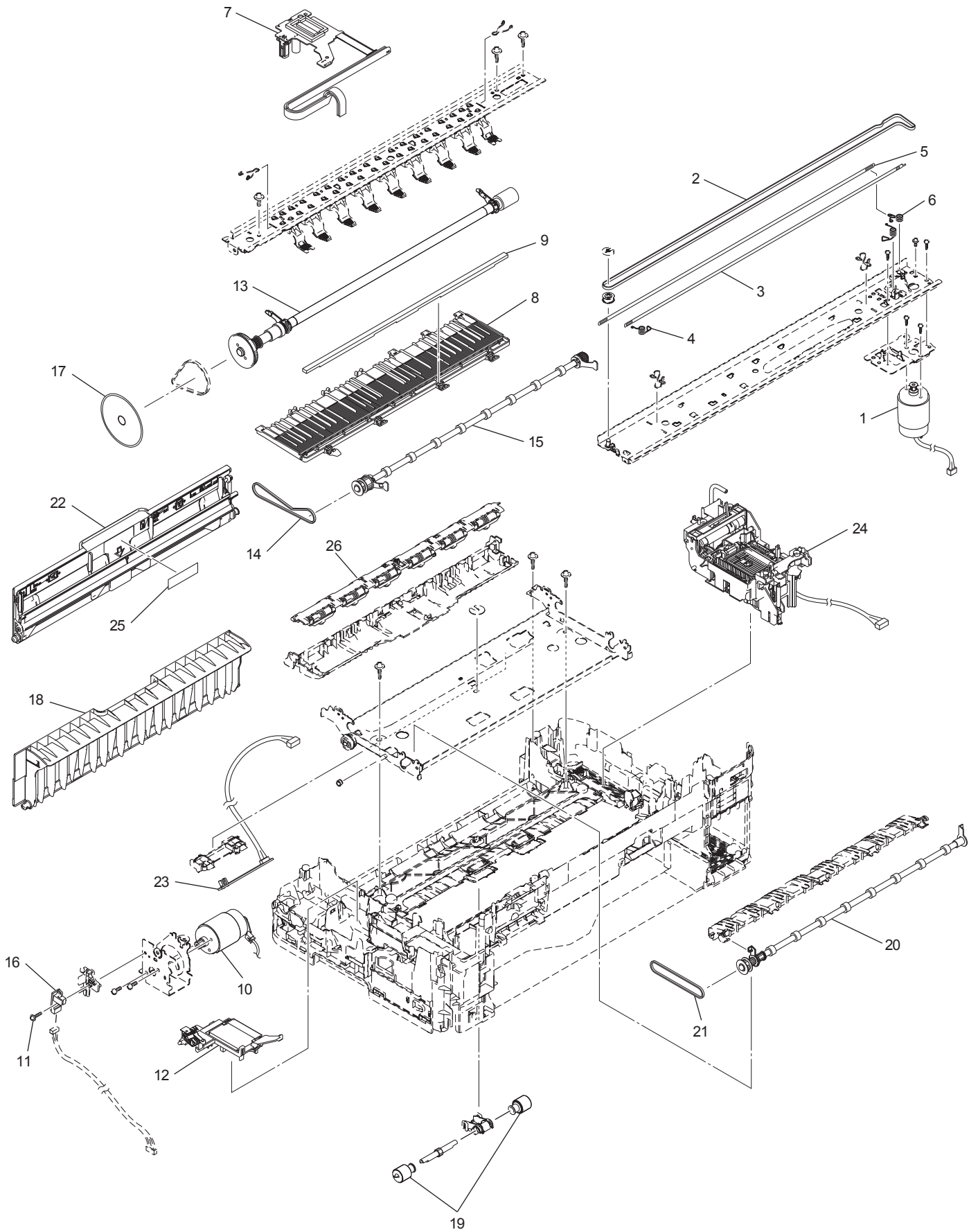
3. CARTRIDGE CASE



3. CARTRIDGE CASE

REF No.	CODE	Q'TY	DESCRIPTION	REMARKS
1	LEE054001	1	INK REFILL ASSY (SP) EXCEPT FOR CHN/TWN/HK/ASA/KOR/RUS/IDN	
1	LEE098001	1	INK REFILL ASSY (SP) FOR CHN	
1	LEE096001	1	INK REFILL ASSY (SP) FOR TWN/HK/ASA/KOR/RUS	ADD
1	LEE097001	1	INK REFILL ASSY (SP) FOR IDN	
2	LEE059001	1	HEAD JOINT RUBBER (SP)	

4. ENGINE

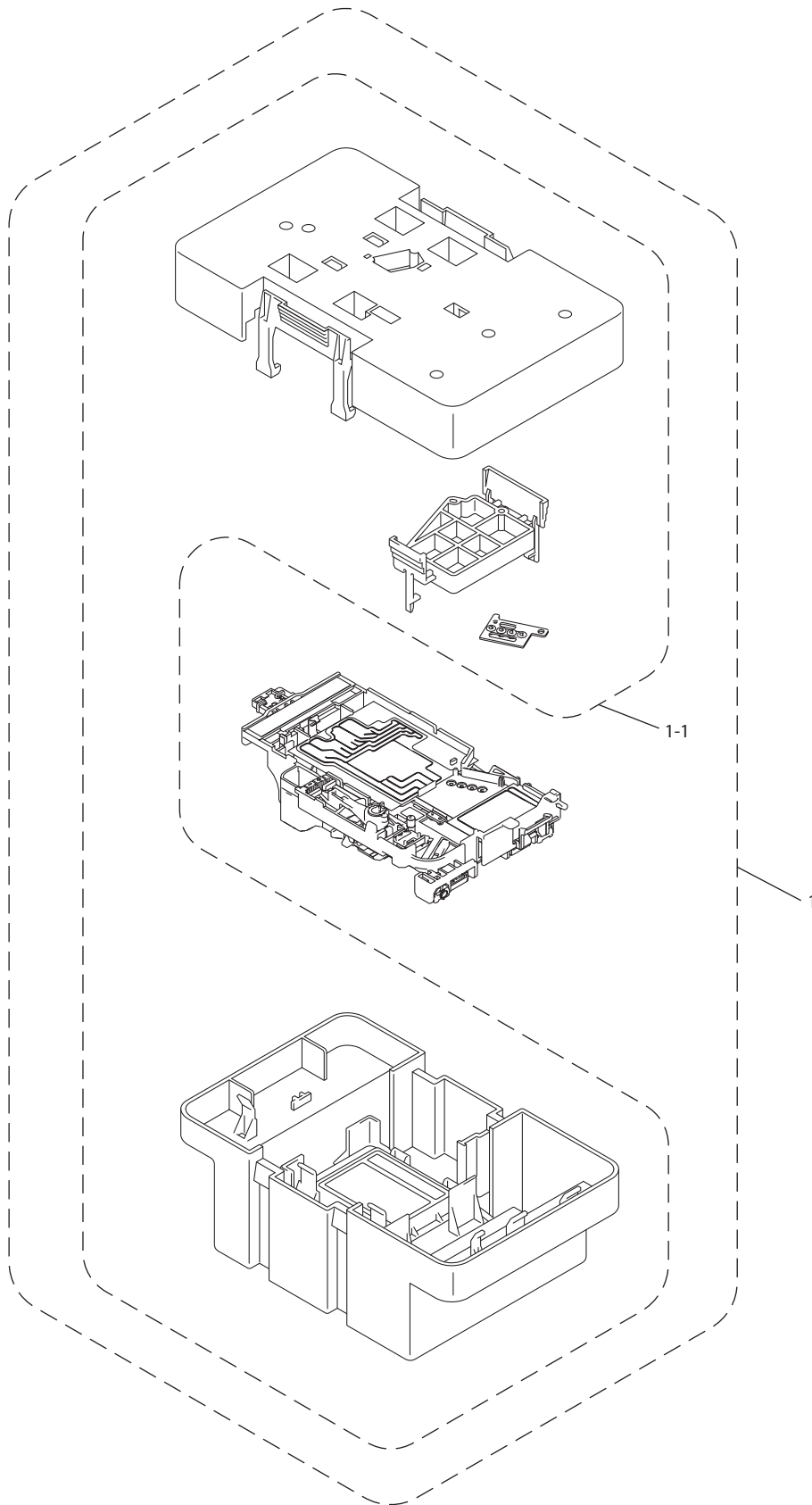


4. ENGINE

REF No.	CODE	Q'TY	DESCRIPTION	REMARKS
1	LED136001	1	CARRIAGE MOTOR ASSY	
2	LED137001	1	CR TIMING BELT	
3	LED146001	1	CR ENCODER STRIP	
4	LED147001	1	ENCODER STRIP SPRING	
5	LED148001	1	ENCODER STRIP GUARD FILM	
6	LED149001	1	GUARD FILM SPRING	
7	LEG554001	1	CARRIAGE PCB ASSY (SP)	
8	LED382001	1	PLATEN	
9	LED383001	1	PLATEN FOAM	
10	LED387001	1	PAPER FEED MOTOR	
11	000021206	1	SCREW BIND M2X12	
12	LED391001	1	FLUSHING BASE	
13	LEL883001	1	PAPER FEED ROLLER (SP)	CHG
14	LED405001	1	PAPER EJECTION ROLLER BELT	
15	LED409001	1	PAPER EJECTION ROLLER	
16	LT1509002	1	PF ENCODER PCB ASSY	
17	LED906001	1	PF ENCODER DISK	
18	LED280007	1	JAM CLEAR COVER	
19	LEL245001	2	T1 PAPER PULL-IN ROLLER*	chg
20	LED350001	1	SWITCHBACK ROLLER	
21	LED357001	1	SWITCHBACK ROLLER BELT	
22	LED361002	1	MANUAL FEED SLOT COVER ASSY, DCP-J4110DW/MFC-J2310/J4310DW	
22	LED361001	1	MANUAL FEED SLOT COVER ASSY, MFC-J2510/J4410DW/J4510DW/J4610DW/J4710DW	
23	LT2189001	1	REGISTRATION SENSOR PCB ASSY	
24	LEG557001	1	MAINTENANCE UNIT (SP)	
25	LED897001	1	MANUAL FEED SLOT LABEL	
26	LED374001	1	INNER CHUTE ASSY	add

* If you replace the old part with the new one, please upgrade the firmware version.
Please refer to Parts Change Information; 1000039445 for the detail.

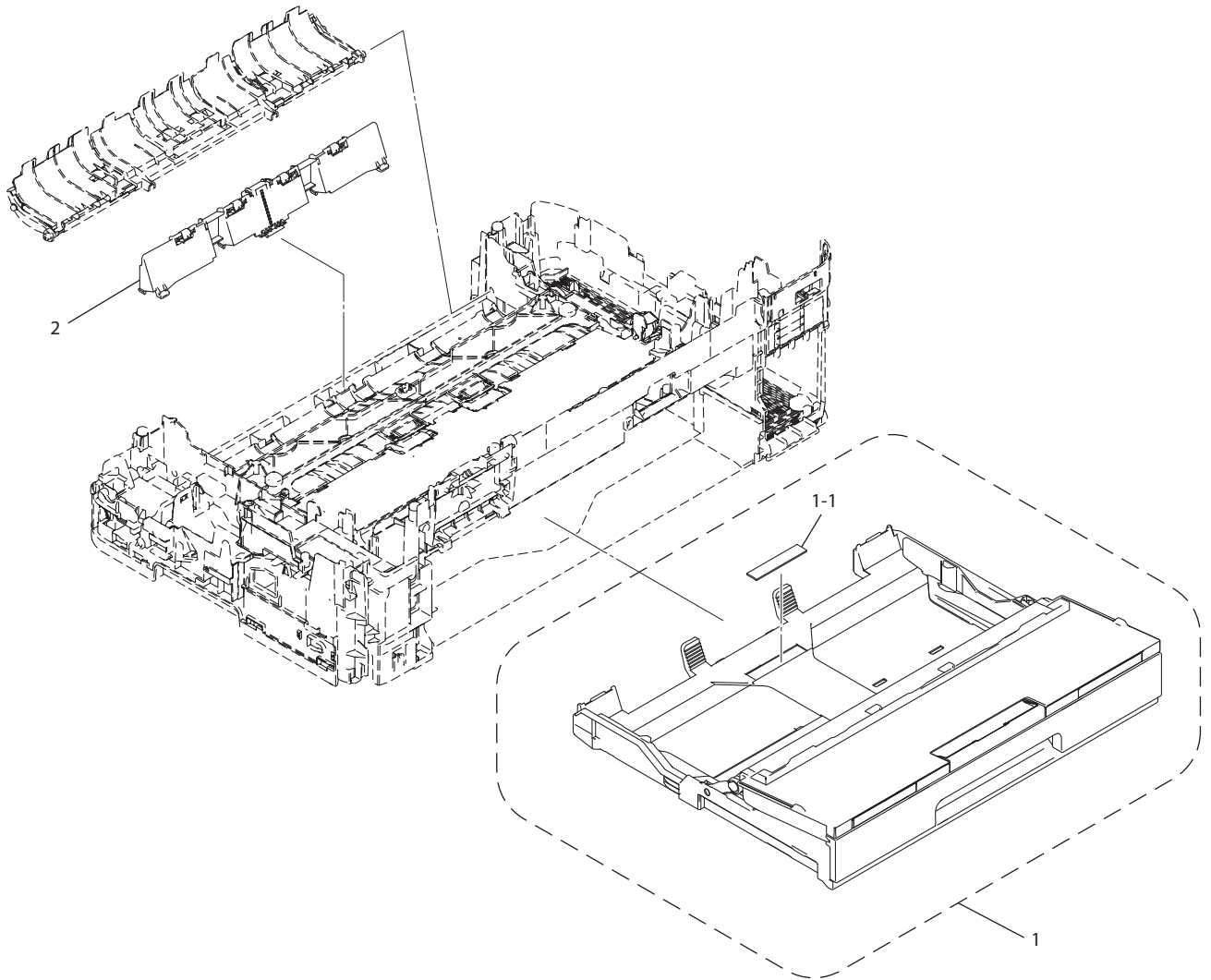
5. HEAD



5. HEAD

REF No.	CODE	Q'TY	DESCRIPTION	REMARKS
1	LK6584001	1	HEAD/CARRIAGE UNIT (SP)	
1-1	LK6601001	1	PROTECTOR SUPPLY ASSY(SP)	

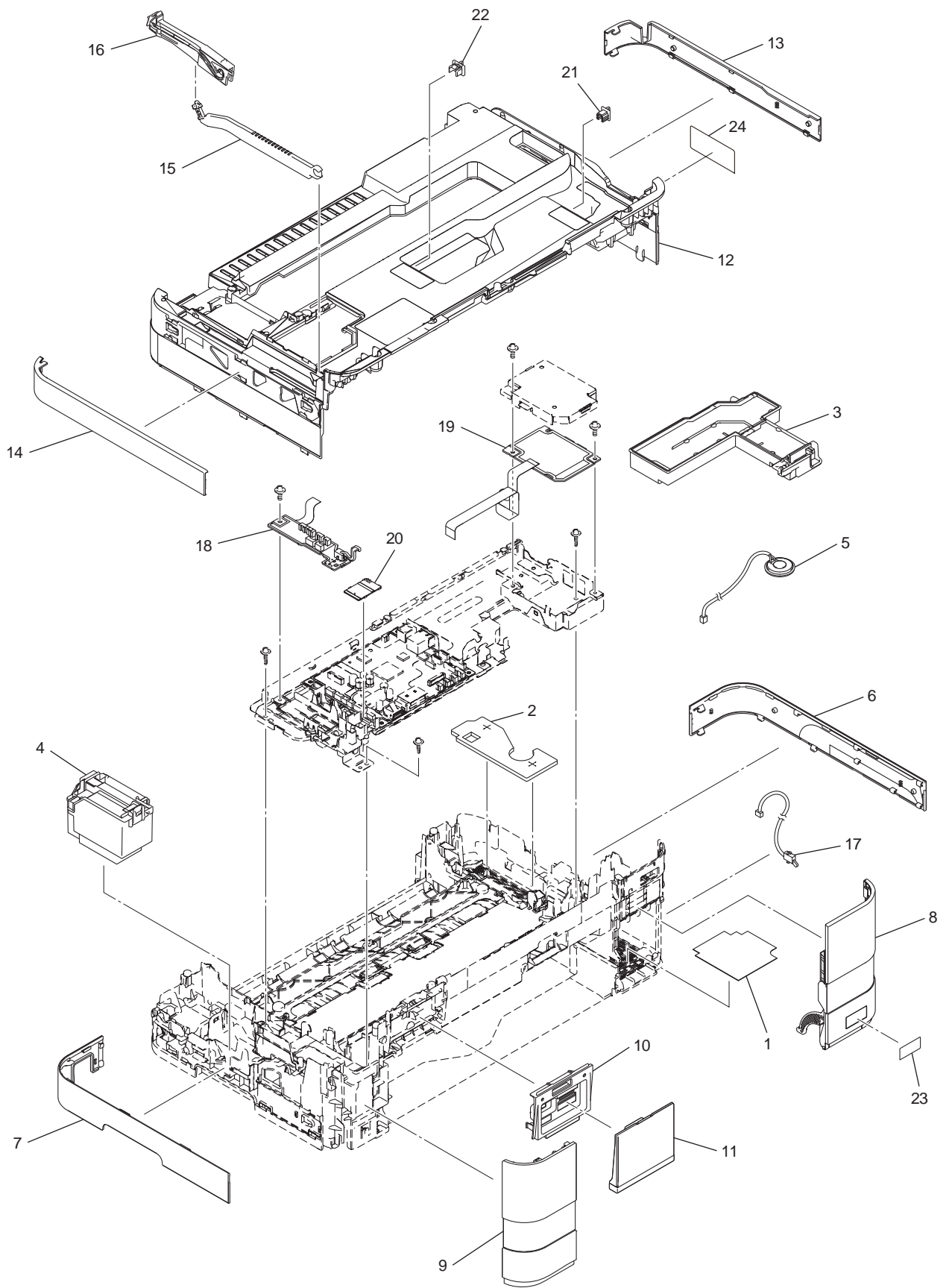
6. PAPER TRAY



6. PAPER TRAY

REF No.	CODE	Q'TY	DESCRIPTION	REMARKS
1	LED262001	1	PAPER TRAY ASSY #1	
1-1	LED275001	1	BASE PAD	
2	LED277001	1	BANK ASSY	

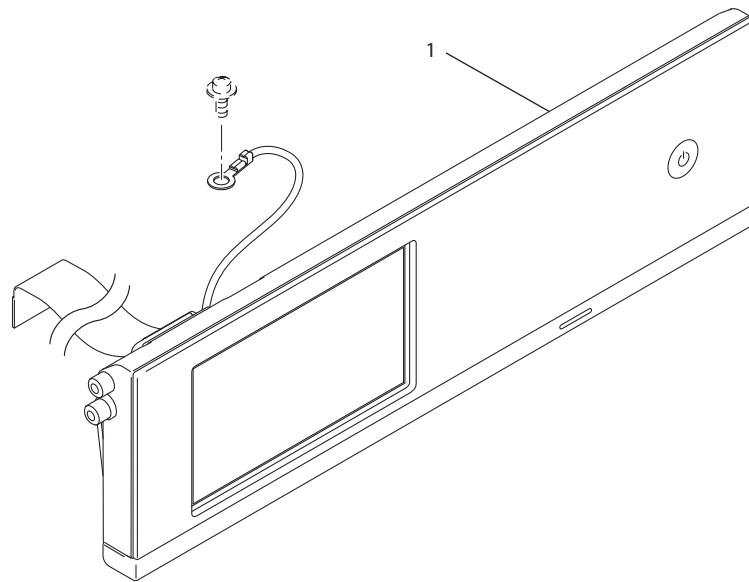
7. COVERS & LABELS



7. COVER LABELS

REF No.	CODE	Q'TY	DESCRIPTION	REMARKS
1	LED459001	1	INK ABSORBER FELT (FOR INK REFILL ASSY)	
2	LED460001	1	INK ABSORBER FELT (FOR MAINTENANCE UNIT)	
3	LET433001	1	INK ABSORBER BOX	CHG
4	LED467001	1	FLUSHING BOX	
5	LT2043001	1	SPEAKER	
6	LED482022	1	LOWER SIDE COVER R, DCP-J4110DW/MFC-J2310/J2510/J4310DW/J4410DW/J4510DW	
6	LED515022	1	LOWER SIDE COVER R, MFC-J4610DW/J4710DW	
7	LED483022	1	LOWER SIDE COVER L, DCP-J4110DW/MFC-J2310/J2510/J4310DW/J4410DW/J4510DW	
7	LED516022	1	LOWER SIDE COVER L, MFC-J4610DW/J4710DW	
8	LEG196001	1	INK CARTRIDGE COVER, DCP-J4110DW/MFC-J2310/J4310DW	
8	LED484001	1	INK CARTRIDGE COVER, MFC-J2510/J4410DW/J4510DW/J4610DW/J4710DW	
9	LEG197001	1	FRONT COVER, DCP-J4110DW/MFC-J2310/J4310DW	
9	LED488001	1	FRONT COVER, MFC-J2510/J4410DW/J4510DW/J4610DW/J4710DW	
10	LED493007	1	INNER MEDIA MODULE COVER	
11	LEG934001	1	MEDIA MODULE COVER, MFC-J4310DW FOR US/CAN/CHL/BRA	
11	LEG932001	1	MEDIA MODULE COVER, MFC-J4410DW/J4510DW/J4610DW/J4710DW FOR US/CAN/ARG/CHL/BRA	
11	LED494001	1	MEDIA MODULE COVER, MFC-J2510/J4410DW/J4510DW/J4610DW/J4710DW EXCEPT FOR US/CAN/ARG/CHL/BRA	
11	LEG470001	1	MEDIA MODULE COVER, DCP-J4110DW	
11	LEL127001	1	MEDIA MODULE COVER, MFC-J2310	
12	LEK780001	1	UPPER COVER (SP), DCP-J4110DW	
12	LEK781001	1	UPPER COVER (SP), MFC-J2310/J2510/J4310DW/J4410DW/J4510DW/J4610DW	
12	LEK782001	1	UPPER COVER (SP), MFC-J4710DW	
13	LEG101007	1	UPPER SIDE COVER R, DCP-J4110DW/MFC-J2310/J4310DW	
13	LED500022	1	UPPER SIDE COVER R, MFC-J2510/J4410DW/J4510DW/J4610DW/J4710DW	
14	LEG102007	1	UPPER SIDE COVER L, DCP-J4110DW/MFC-J2310/J4310DW	
14	LED501022	1	UPPER SIDE COVER L, MFC-J2510/J4410DW/J4510DW/J4610DW/J4710DW	
15	LED503001	1	SCANNER COVER SUPPORT	
16	LED505001	1	SCANNER COVER DAMPER	
17	LT2045001	1	INK CARTRIDGE COVER SENSOR ASSY	
18	LT2314001	1	SENSOR RELAY PCB ASSY, DCP-J4110DW/MFC-J2310/J4310DW	
18	LT2048001	1	SENSOR RELAY PCB ASSY, MFC-J2510/J4410DW/J4510DW/J4610DW	
18	LT2048002	1	SENSOR RELAY PCB ASSY, MFC-J4710DW	
19	LT2051001	1	MJ PCB ASSY, MFC-J2310/J2510/J4310DW/J4410DW/J4510DW/J4610DW/J4710DW FOR US/CAN/CHN/TWN/HK/IDN/ARG/CHL/ASA/BRA/KOR/OCE	
19	LT2051004	1	MJ PCB ASSY, MFC-J2310/J2510/J4410DW/J4510DW/J4610DW/J4710DW FOR GER/UK/FRA/BEL/NLD/CHE/ITA/ISR/RUS/PND/IBR/CEE	
20	LT2670004	4	WIRELESS LAN PCB ASSY FOR US/CAN/ASA/OCE	del
20	LT2822001	1	WIRELESS LAN PCB ASSY FOR GER/UK/FRA/BEL/NLD/CHE/ITA/PND/IBR	chg
21	LE8842001	1	EXT CAP, MFC-J2310/J2510/J4310DW/J4410DW/J4510DW/J4610DW/J4710DW FOR US/CAN/NLD/CHE/ITA/ISR/CHN/TWN/HK/ARG/CHL/IDN/ASA/BRA/KOR/RUS/ OCE/PND/IBR/CEE	
21	UF5745000	1	MJ COVER EXT, MFC-J4410DW/J4510DW/J4610DW/J4710DW FOR GER/UK/FRA/BEL	
22	LEG124001	1	LAN PORT CAP	
23	LX3721001	1	INNOBELLA LABEL FOR US	
23	LX3722001	1	INNOBELLA LABEL EXCEPT FOR US	
24	LED913004	4	USER ACCESS PORT LABEL	
24	LET997001	1	USER ACCESS PORT LABEL, DCP-J4110DW	CHG
24	LET995001	1	USER ACCESS PORT LABEL, MFC-J2310/J2510/J4310DW/J4410DW/J4510DW/ J4610DW/J4710DW	CHG

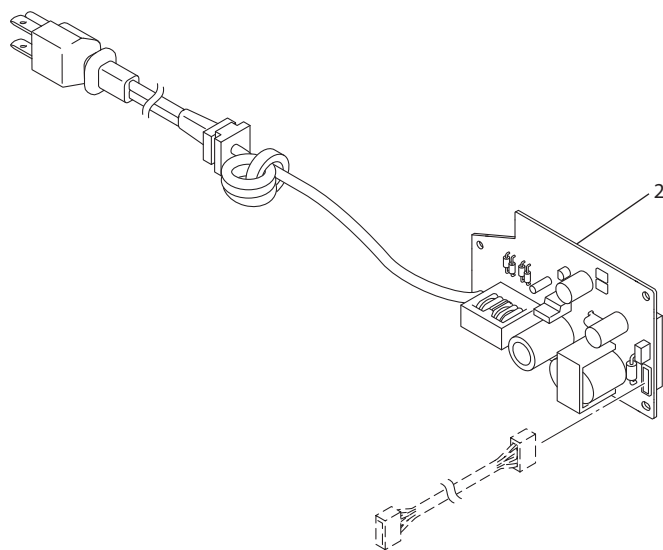
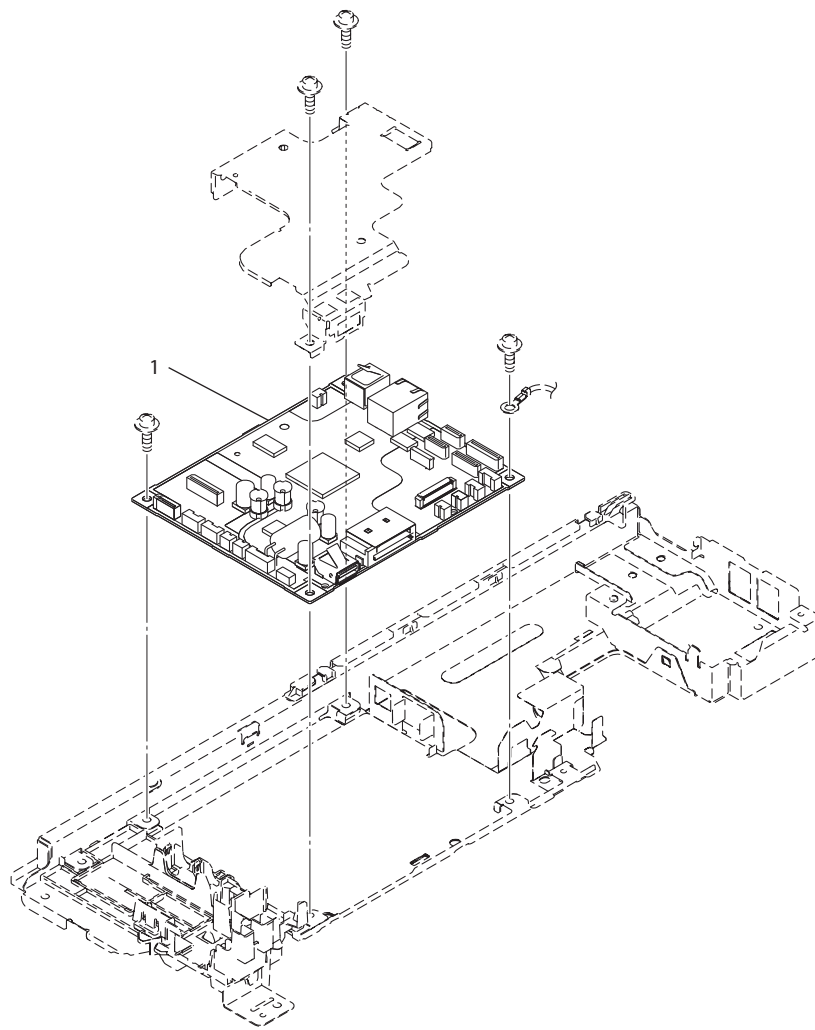
8. PANEL



8. PANEL

REF No.	CODE	Q'TY	DESCRIPTION	REMARKS
1	LEG018001	1	CONTROL PANEL ASSY, MFC-J2310/J4310DW FOR US/CAN/TWN/HK/CHL/ASA/BRA/KOR/RUS	
1	LEG209001	1	CONTROL PANEL ASSY, MFC-J4410DW FOR US/CAN	
1	LED439001	1	CONTROL PANEL ASSY, MFC-J4510DW FOR US/CAN/ARG/CHL/BRA	
1	LEG001001	1	CONTROL PANEL ASSY, MFC-J4610DW FOR US/CAN	
1	LED518001	1	CONTROL PANEL ASSY, MFC-J4710DW FOR US/CAN	
1	LEG211001	1	CONTROL PANEL ASSY, MFC-J4410DW EXCEPT FOR US/CAN	
1	LED979001	1	CONTROL PANEL ASSY, MFC-J4510DW EXCEPT FOR US/CAN	
1	LEG213001	1	CONTROL PANEL ASSY, MFC-J4610DW EXCEPT FOR US/CAN	
1	LEG215001	1	CONTROL PANEL ASSY, MFC-J4710DW EXCEPT FOR US/CAN	
1	LEG022001	1	CONTROL PANEL ASSY, DCP-J4110DW	
1	LEK562001	1	CONTROL PANEL ASSY, MFC-J2510	

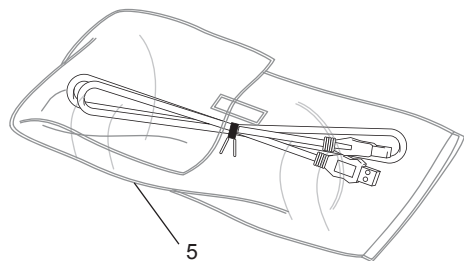
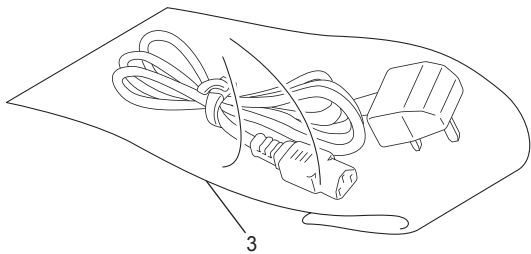
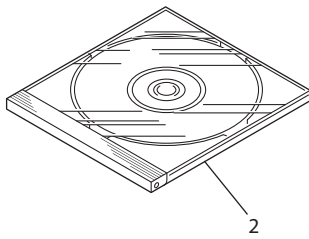
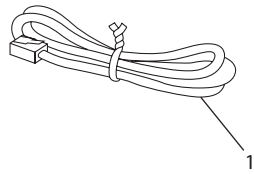
9. PCB



9. PCB

REF No.	CODE	Q'TY	DESCRIPTION	REMARKS
1	LT2485001	1	MAIN PCB ASSY (SP), MFC-J4310DW FOR US/CAN/CHL/BRA (PRESET 74 CODE:0001)	
1	LT2486001	1	MAIN PCB ASSY (SP), MFC-J4410DW FOR US/CAN (PRESET 74 CODE:0101)	
1	LT2355001	1	MAIN PCB ASSY (SP), MFC-J4510DW FOR US/CAN/ARG/CHL/BRA (PRESET 74 CODE:0001)	
1	LT2487001	1	MAIN PCB ASSY (SP), MFC-J4610DW FOR US/CAN (PRESET 74 CODE:0201)	
1	LT2488001	1	MAIN PCB ASSY (SP), MFC-J4710DW FOR US/CAN (PRESET 74 CODE:0001)	
1	LT2484003	1	MAIN PCB ASSY (SP), DCP-J4110DW FOR GER/UK/FRA/CHE/ISR/PND/IBR/CEE (PRESET 74 CODE:0003)	
1	LT2355003	1	MAIN PCB ASSY (SP), MFC-J2510/J4510DW FOR GER/UK/FRA/BEL/NLD/CHE/ITA/ISR/RUS/PND/IBR/CEE (PRESET 74 CODE:0003)	
1	LT2486003	1	MAIN PCB ASSY (SP), MFC-J4410DW FOR GER/UK/FRA/BEL/NLD/CHE/ITA/ISR/PND/IBR/CEE (PRESET 74 CODE:0103)	
1	LT2487003	1	MAIN PCB ASSY (SP), MFC-J4610DW FOR GER/UK/FRA/BEL/NLD/CHE/ITA (PRESET 74 CODE:0203)	
1	LT2488003	1	MAIN PCB ASSY (SP), MFC-J4710DW FOR GER/UK/FRA/BEL/NLD/CHE/ITA/PND/IBR (PRESET 74 CODE:0003)	
1	LT3038020	1	MAIN PCB ASSY (SP), MFC-J2510 FOR CHN (PRESET 74 CODE:0120)	
1	LT2485040	1	MAIN PCB ASSY (SP), MFC-J2310 FOR TWN/HK/ASA/KOR/RUS (PRESET 74 CODE:0340)	
1	LT2355040	1	MAIN PCB ASSY (SP), MFC-J2510 FOR IDN/ASA/KOR (PRESET 74 CODE:0040 0140)	
1	LT2484004	1	MAIN PCB ASSY (SP), DCP-J4110DW FOR OCE (PRESET 74 CODE:0004)	
1	LT2486056	1	MAIN PCB ASSY (SP), MFC-J4410DW FOR OCE (PRESET 74 CODE:0156)	
1	LT2355056	1	MAIN PCB ASSY (SP), MFC-J4510DW FOR OCE (PRESET 74 CODE:0056)	
1	LT2488056	1	MAIN PCB ASSY (SP), MFC-J4710DW FOR OCE (PRESET 74 CODE:0056)	
2	LT2533001	1	POWER SUPPLY PCB ASSY FOR US/CAN	
2	LT2817005	1	POWER SUPPLY PCB ASSY FOR CHN	
2	LT2862001	1	POWER SUPPLY PCB ASSY FOR TWN	
2	LT2693001	1	POWER SUPPLY PCB ASSY FOR BRA	
2	LT2817001	1	POWER SUPPLY PCB ASSY EXCEPT FOR US/CAN/CHN/TWN/BRA	CHG

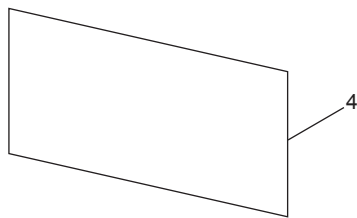
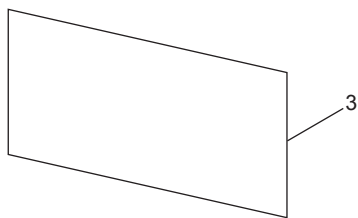
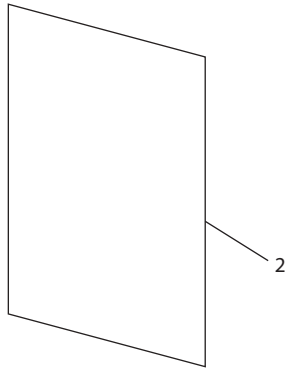
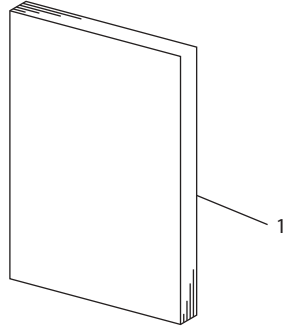
10. ACCESSORIES



10. ACCESSORIES

REF No.	CODE	Q'TY	DESCRIPTION	REMARKS
1	LG3077001	1	TELEPHONE LINE CORD CSA FOR US/CAN/UK/NLD/ISR/CHN/TWN/IDN/ARG/CHL/ ASA/BRA/KOR/RUS/OCE/IBR/CEE	
1	UG3625001	1	TELEPHONE LINE CORD FOR GER	
1	UG3626001	1	TELEPHONE LINE CORD UK6P FOR UK	
1	UG3627001	1	TELEPHONE LINE CORD FOR FRA	
1	UG1575001	1	TELEPHONE LINE CORD FOR BEL	
1	LG7202001	1	TELEPHONE LINE CORD FOR CHE	
1	LT2144001	1	TELEPHONE LINE CORD FOR ITA	
1	UG3290001	1	TELEPHONE LINE CORD NZ FOR HK/OCE	
1	LG5827001	1	TELEPHONE LINE CORD FOR PND	
2	LEK677001	1	CD-ROM ASSY, MFC-J4410DW FOR US/CAN	
2	LEK678001	1	CD-ROM ASSY, MFC-J4510DW FOR US/CAN/ARG/CHL/BRA	chg
2	LEK679001	1	CD-ROM ASSY, MFC-J4610DW FOR US/CAN	
2	LED937001	1	CD-ROM ASSY, MFC-J4710DW FOR US/CAN	
2	LED934001	1	CD-ROM ASSY, MFC-J4310DW FOR US/CAN/CHL/BRA	
2	LED938001	1	CD-ROM ASSY, DCP-J4110DW FOR GER/UK/FRA/CHE/ISR/OCE/IBR	
2	LEK680001	1	CD-ROM ASSY, MFC-J4410DW FOR GER/UK/FRA/BEL/NLD/CHE/ITA/ISR/OCE/IBR	
2	LEK681001	1	CD-ROM ASSY, MFC-J4510DW FOR GER/UK/FRA/BEL/NLD/CHE/ITA/ISR/OCE/IBR	
2	LED941001	1	CD-ROM ASSY, MFC-J4610DW FOR GER/UK/FRA/BEL/NLD/CHE/ITA	
2	LED942001	1	CD-ROM ASSY, MFC-J4710DW FOR GER/UK/FRA/BEL/NLD/CHE/ITA/OCE/IBR	
2	LEG244001	1	CD-ROM ASSY, MFC-J2510 FOR CHN	
2	LEG243001	1	CD-ROM ASSY, MFC-J2310 FOR TWN/HK	
2	LEG241001	1	CD-ROM ASSY, MFC-J2310 FOR ASA/RUS	
2	LEG245001	1	CD-ROM ASSY, MFC-J2310 FOR KOR	
2	LEG246001	1	CD-ROM ASSY, MFC-J2510 FOR KOR	
2	LEG235001	1	CD-ROM ASSY, DCP-J4110DW FOR PND	
2	LEG394001	1	CD-ROM ASSY, MFC-J4410DW FOR PND	
2	LEK684001	1	CD-ROM ASSY, MFC-J4510DW FOR PND	
2	LEG237001	1	CD-ROM ASSY, MFC-J4710DW FOR PND	
2	LEG238001	1	CD-ROM ASSY, DCP-J4110DW FOR CEE	
2	LEG239001	1	CD-ROM ASSY, MFC-J4410DW FOR CEE	
2	LEK685001	1	CD-ROM ASSY, MFC-J4510DW FOR CEE	
2	LEK686001	1	CD-ROM ASSY, MFC-J2510 EXCEPT FOR CHN/KOR	
3	LT2509001	1	AC CORD BAG ASSY C5 FOR GER/FRA/BEL/NLD/ITA/IDN/ASA/RUS/PND/IBR/CEE	
3	LT2544001	1	AC CORD BAG ASSY C5RA UK FOR UK/HK/ASA	
3	LT2637001	1	AC CORD BAG ASSY C5 SEV FOR CHE	
3	LT2691001	1	AC CORD BAG ASSY C5RA FOR CHL	
3	LT2675001	1	AC CORD BAG ASSY C5 ISR FOR ISR	
3	LT2757001	1	AC CORD BAG ASSY C5RA CCC FOR CHN	
3	LT2688001	1	AC CORD BAG ASSY C5RA IRAM FOR ARG	
3	LT2731001	1	AC CORD BAG ASSY C5RA KOR FOR KOR	
3	LT2639001	1	AC CORD BAG ASSY C5 SAA FOR OCE	
3	LT2638001	4	AC CORD BAG ASSY C5 DEMKO FOR PND	del
(4)	UG3468000	1	TELEPHONE PLUG HK, MFC-J2310 FOR HK	
(4)	LG3622001	4	TELEPHONE PLUG DUT, MFC-J4410DW/J4510DW/J4610DW/J4710DW FOR NLD	DEL
(4)	LG6573001	1	TELEPHONE PLUG ARL, MFC-J4410DW/J4510DW/J4710DW FOR OCE	
(4)	LG5828001	1	TELEPHONE PLUG DEN, MFC-J4410DW/J4510DW/J4710DW FOR PND	
(4)	LG5830001	1	TELEPHONE PLUG SWE, MFC-J4410DW/J4510DW/J4710DW FOR PND	
(4)	LG5829001	1	TELEPHONE PLUG FIN, MFC-J4410DW/J4510DW/J4710DW FOR PND	
5	LJ9803001	1	USB CABLE 2.0	chg

11. PRINTED MATERIALS



11. PRINTED MATERIALS

REF No.	CODE	Q'TY	DESCRIPTION	REMARKS
1	LEL074001	1	USER'S GUIDE, MFC-J4310DW/J4410DW/J4610DW FOR US/CAN (ENGLISH)	
1	LEL074002	1	USER'S GUIDE, MFC-J4310DW/J4410DW/J4610DW FOR CAN (FRENCH)	
4	LEL030004	4	USER'S GUIDE, MFC-J4410DW/J4610DW FOR US/CAN (ENGLISH)	DEL
4	LEL030002	4	USER'S GUIDE, MFC-J4410DW/J4610DW FOR CAN (FRENCH)	DEL
4	LEG478004	4	USER'S GUIDE, MFC-J4510DW FOR US/CAN (ENGLISH)	DEL
4	LEG478002	4	USER'S GUIDE, MFC-J4510DW FOR CAN (FRENCH)	DEL
1	LEK969001	1	USER'S GUIDE, MFC-J4510DW/J4710DW FOR US/CAN (ENGLISH)	
1	LEK969002	1	USER'S GUIDE, MFC-J4510DW/J4710DW FOR CAN (FRENCH)	
1	LEK978003	1	USER'S GUIDE, DCP-J4110DW FOR GER/CHE (GERMAN)	
1	LEL031003	1	USER'S GUIDE, MFC-J4410DW/J4610DW FOR GER	
4	LEG859003	4	USER'S GUIDE, MFC-J4510DW FOR GER	DEL
1	LEL047003	1	USER'S GUIDE, MFC-J4510DW/J4710DW FOR GER	
1	LEK978004	1	USER'S GUIDE, DCP-J4110DW FOR UK	
1	LEL031004	1	USER'S GUIDE, MFC-J4410DW/J4610DW FOR UK	
4	LEG859004	4	USER'S GUIDE, MFC-J4510DW FOR UK	DEL
1	LEL047004	1	USER'S GUIDE, MFC-J-4510DW/J4710DW FOR UK	
1	LEK978005	1	USER'S GUIDE, DCP-J4110DW FOR FRA/CHE (FRENCH)	
1	LEK978009	1	USER'S GUIDE, DCP-J4110DW FOR FRA (DUTCH)	
1	LEL031005	1	USER'S GUIDE, MFC-J4410DW/J4610DW FOR FRA	
4	LEG859005	4	USER'S GUIDE, MFC-J4510DW FOR FRA	DEL
1	LEL047005	1	USER'S GUIDE, MFC-J4510DW/J4710DW FOR FRA	
1	LEK365058	1	USER'S GUIDE, MFC-J4410DW/J4610DW FOR BEL/CHE (FRENCH)	
1	LEK365008	1	USER'S GUIDE, MFC-J4410DW/J4610DW FOR BEL (DUTCH)	
4	LEG859008	4	USER'S GUIDE, MFC-J4510DW FOR BEL (DUTCH)	DEL
4	LEG859058	4	USER'S GUIDE, MFC-J4510DW FOR BEL/CHE (FRENCH)	DEL
1	LEL047058	1	USER'S GUIDE, MFC-J4510DW/J4710DW FOR BEL/CHE (FRENCH)	
1	LEL047008	1	USER'S GUIDE, MFC-J4510DW/J4710DW FOR BEL (DUTCH)	
1	LEK365009	1	USER'S GUIDE, MFC-J4410DW/J4610DW FOR NLD	
4	LEG859009	4	USER'S GUIDE, MFC-J4510DW FOR NLD	DEL
1	LEL047009	1	USER'S GUIDE, MFC-J4510DW/J4710DW FOR NLD	
1	LEK365010	1	USER'S GUIDE, MFC-J4410DW/J4610DW FOR CHE (GERMAN)	
4	LEG859010	4	USER'S GUIDE, MFC-J4510DW FOR CHE (GERMAN)	DEL
1	LEL047010	1	USER'S GUIDE, MFC-J4510DW/J4710DW FOR CHE (GERMAN)	
1	LEL031016	1	USER'S GUIDE, MFC-J4410DW/J4610DW FOR ITA	
4	LEG859016	4	USER'S GUIDE, MFC-J4510DW FOR ITA	DEL
1	LEL047016	1	USER'S GUIDE, MFC-J4510DW/J4710DW FOR ITA	
1	LEL154020	1	USER'S GUIDE, MFC-J2510 FOR CHN	
1	LEL129023	1	USER'S GUIDE, MFC-J2310 FOR TWN	
1	LEL129040	1	USER'S GUIDE, MFC-J2310/J4410DW FOR HK/ASA/OCE (ENGLISH)	
1	LEL129028	1	USER'S GUIDE, MFC-J2310 FOR HK (CANTONESE)	
4	LEG859056	4	USER'S GUIDE, MFC-J2510/J4510DW FOR IDN/ASA/OCE	DEL
1	LEL129031	1	USER'S GUIDE, MFC-J4310DW FOR CHL	
1	LEG859031	1	USER'S GUIDE, MFC-J4510DW FOR ARG/CHL	
1	LEL129042	1	USER'S GUIDE, MFC-J4310DW FOR BRA	
1	LEG859042	1	USER'S GUIDE, MFC-J4510DW FOR BRA	
1	LEL129044	1	USER'S GUIDE, MFC-J2310 FOR KOR	
1	LEG859044	1	USER'S GUIDE, MFC-J2510 FOR KOR	
1	LEL129048	1	USER'S GUIDE, MFC-J2310 FOR RUS	
1	LEG859048	1	USER'S GUIDE, MFC-J2510 FOR RUS	
1	LEK978056	1	USER'S GUIDE, DCP-J4110DW FOR OCE	
4	LEK365056	4	USER'S GUIDE, MFC-J4110DW FOR OCE	DEL
1	LEL047056	1	USER'S GUIDE, MFC-J2510/J4510DW/J4710DW FOR IDN/ASA/OCE	
1	LEK989007	1	USER'S GUIDE, DCP-J4110DW FOR PND (NORWEGIAN/SWEDISH)	
1	LEK989013	1	USER'S GUIDE, DCP-J4110DW FOR PND (FINNISH/DANISH)	
1	LEK382007	1	USER'S GUIDE, MFC-J4410DW FOR PND (NORWEGIAN/SWEDISH)	
1	LEK382013	1	USER'S GUIDE, MFC-J4410DW FOR PND (FINNISH/DANISH)	
4	LEG903007	4	USER'S GUIDE, MFC-J4510DW FOR PND (NORWEGIAN/SWEDISH)	DEL
4	LEG903013	4	USER'S GUIDE, MFC-J4510DW FOR PND (FINNISH/DANISH)	DEL
1	LEL090007	1	USER'S GUIDE, MFC-J4510DW/J4710DW FOR PND (NORWEGIAN/SWEDISH)	
1	LEL090013	1	USER'S GUIDE, MFC-J4510DW/J4710DW FOR PND (FINNISH/DANISH)	
1	LEK989065	1	USER'S GUIDE, DCP-J4110DW FOR IBR	
1	LEL034065	1	USER'S GUIDE, MFC-J4410DW FOR IBR	
4	LEG903065	4	USER'S GUIDE, MFC-J4510DW FOR IBR	DEL
1	LEL090065	1	USER'S GUIDE, MFC-J4510DW/J4710DW FOR IBR	
2	LEK104004	4	QUICK SETUP GUIDE, MFC-J4410DW/J4610DW FOR US/CAN (ENGLISH)	DEL
2	LEK104002	4	QUICK SETUP GUIDE, MFC-J4410DW/J4610DW FOR CAN (FRENCH)	DEL
2	LEG484004	4	QUICK SETUP GUIDE, MFC-J4510DW FOR US/CAN (ENGLISH)	DEL
2	LEK971001	1	QUICK SETUP GUIDE, MFC-J4510DW/J4710DW FOR US/CAN (ENGLISH)	
2	LEL075001	1	QUICK SETUP GUIDE, MFC-J4310DW/J4410DW/J4610DW FOR US/CAN (ENGLISH)	

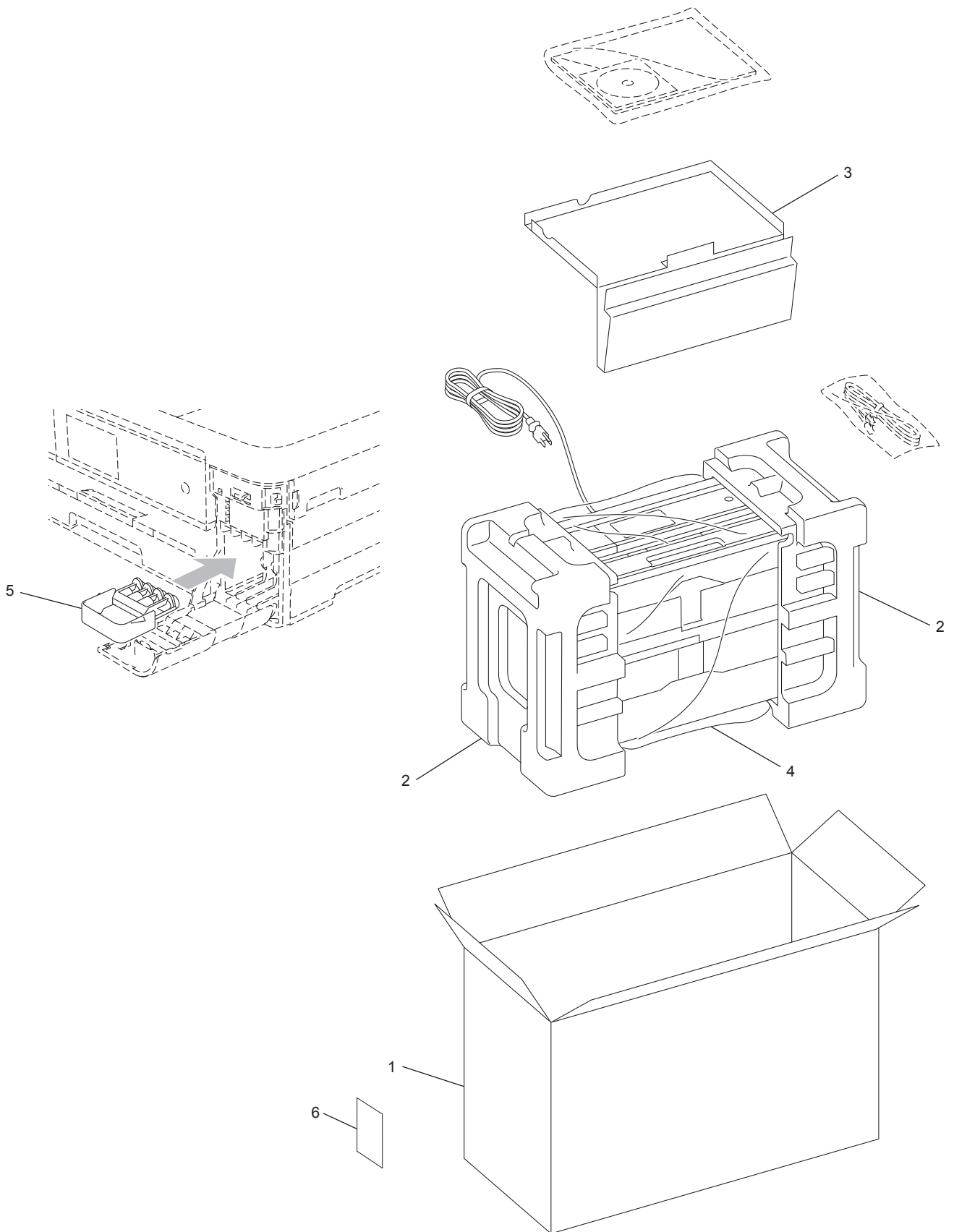
11. PRINTED MATERIALS

REF No.	CODE	Q'TY	DESCRIPTION	REMARKS
2	LEL075002	1	QUICK SETUP GUIDE, MFC-J4310DW/J4410DW/J4610DW FOR CAN (FRENCH)	
2	LEK971002	1	QUICK SETUP GUIDE, MFC-J4510DW/J4710DW FOR CAN (FRENCH)	
2	LEG481002	4	QUICK SETUP GUIDE, MFC-J4510DW FOR CAN (FRENCH)	DEL
2	LEK979003	1	QUICK SETUP GUIDE, DCP-J4110DW FOR GER/CHE (GERMAN)	
2	LEK366003	1	QUICK SETUP GUIDE, MFC-J4410DW/J4610DW FOR GER	
2	LEG860003	4	QUICK SETUP GUIDE, MFC-J4510DW FOR GER	DEL
2	LEL048003	1	QUICK SETUP GUIDE, MFC-J4510DW/J4710DW FOR GER	
2	LEK979004	1	QUICK SETUP GUIDE, DCP-J4110DW FOR UK/ISR	
2	LEK366004	1	QUICK SETUP GUIDE, MFC-J4410DW/J4610DW FOR UK/ISR	
2	LEG860004	4	QUICK SETUP GUIDE, MFC-J4510DW FOR UK/ISR	DEL
2	LEL048004	1	QUICK SETUP GUIDE, MFC-J4510DW/J4710DW FOR UK/ISR	
2	LEK979005	1	QUICK SETUP GUIDE, DCP-J4110DW FOR FRA/CHE (FRENCH)	
2	LEK979009	1	QUICK SETUP GUIDE, DCP-J4110DW FOR FRA (DUTCH)	
2	LEK366005	1	QUICK SETUP GUIDE, MFC-J4410DW/J4610DW FOR FRA	
2	LEG860005	4	QUICK SETUP GUIDE, MFC-J4510DW FOR FRA	DEL
2	LEL048005	1	QUICK SETUP GUIDE, MFC-J4510DW/J4710DW FOR FRA	
2	LEK366008	1	QUICK SETUP GUIDE, MFC-J4410DW/J4610DW FOR BEL (FRENCH) (DUTCH)	
2	LEK366058	1	QUICK SETUP GUIDE, MFC-J4410DW/J4610DW FOR BEL/CHE (FRENCH)	
2	LEG860008	4	QUICK SETUP GUIDE, MFC-J4510DW FOR BEL (DUTCH)	DEL
2	LEG860058	4	QUICK SETUP GUIDE, MFC-J4510DW FOR BEL/CHE (FRENCH)	DEL
2	LEL048058	1	QUICK SETUP GUIDE, MFC-J4510DW/J4710DW FOR BEL/CHE (FRENCH)	
2	LEL048008	1	QUICK SETUP GUIDE, MFC-J4510DW/J4710DW FOR BEL (DUTCH)	
2	LEK366009	1	QUICK SETUP GUIDE, MFC-J4410DW/J4610DW FOR NLD	
2	LEG860009	4	QUICK SETUP GUIDE, MFC-J4510DW FOR NLD	DEL
2	LEL048009	1	QUICK SETUP GUIDE, MFC-J4510DW/J4710DW FOR NLD	
2	LEK979016	1	QUICK SETUP GUIDE, DCP-J4110DW FOR CHE (ITALIAN)	
2	LEK366010	1	QUICK SETUP GUIDE, MFC-J4410DW/J4610DW FOR CHE (GERMAN)	
2	LEK366016	1	QUICK SETUP GUIDE, MFC-J4410DW/J4610DW FOR CHE/ITA (ITALIAN)	
2	LEG860010	4	QUICK SETUP GUIDE, MFC-J4510DW FOR CHE (GERMAN)	DEL
2	LEG860016	4	QUICK SETUP GUIDE, MFC-J4510DW FOR CHE/ITA (ITALIAN)	DEL
2	LEL048010	1	QUICK SETUP GUIDE, MFC-J4510DW/J4710DW FOR CHE (GERMAN)	
2	LEL048016	1	QUICK SETUP GUIDE, MFC-J4510DW/J4710DW FOR CHE/ITA (ITALIAN)	
2	LEG860031	1	QUICK SETUP GUIDE, MFC-J4510DW FOR ARG/CHL	
2	LEG860020	1	QUICK SETUP GUIDE, MFC-J2510 FOR CHN	
2	LEL130040	1	QUICK SETUP GUIDE, MFC-J2310/MFC-J4410DW FOR HK/ASA/OCE (ENGLISH)	
2	LEL130028	1	QUICK SETUP GUIDE, MFC-J2310 FOR TWN/HK (CANTONESE)	
2	LEG860029	1	QUICK SETUP GUIDE, MFC-J2510 FOR IDN (INDONESIAN)	
2	LEG860056	4	QUICK SETUP GUIDE, MFC-J2510/J4510DW FOR IDN/ASA/OCE (ENGLISH)	DEL
2	LEL130031	1	QUICK SETUP GUIDE, MFC-J4310DW FOR CHL	
2	LEL130030	1	QUICK SETUP GUIDE, MFC-J2310 FOR ASA (THAI)	
2	LEG860030	1	QUICK SETUP GUIDE, MFC-J2510 FOR ASA (THAI)	
2	LEL130042	1	QUICK SETUP GUIDE, MFC-J4310DW FOR BRA	
2	LEG860042	1	QUICK SETUP GUIDE, MFC-J4510DW FOR BRA	
2	LEL130044	1	QUICK SETUP GUIDE, MFC-J2310 FOR KOR	
2	LEG860044	1	QUICK SETUP GUIDE, MFC-J2510 FOR KOR	
2	LEL130048	1	QUICK SETUP GUIDE, MFC-J2310 FOR RUS	
2	LEG860048	1	QUICK SETUP GUIDE, MFC-J2510 FOR RUS	
2	LEK979056	1	QUICK SETUP GUIDE, DCP-J4110DW FOR OCE	
2	LEK366056	4	QUICK SETUP GUIDE, MFC-J4410DW FOR OCE	DEL
2	LEL048056	1	QUICK SETUP GUIDE, MFC-J2510/J4510DW/J4710DW FOR IDN/ASA/OCE (ENGLISH)	
2	LEK979007	1	QUICK SETUP GUIDE, DCP-J4110DW FOR PND (NORWEGIAN/SWEDISH)	
2	LEK979013	1	QUICK SETUP GUIDE, DCP-J4110DW FOR PND (FINNISH/DANISH)	
2	LEK366007	1	QUICK SETUP GUIDE, MFC-J4410DW FOR PND (NORWEGIAN/SWEDISH)	
2	LEK366013	1	QUICK SETUP GUIDE, MFC-J4410DW FOR PND (FINNISH/DANISH)	
2	LEG860007	4	QUICK SETUP GUIDE, MFC-J4510DW FOR PND (NORWEGIAN/SWEDISH)	DEL
2	LEG860013	4	QUICK SETUP GUIDE, MFC-J4510DW FOR PND (FINNISH/DANISH)	DEL
2	LEL048007	1	QUICK SETUP GUIDE, MFC-J4510DW/J4710DW FOR PND (NORWEGIAN/SWEDISH)	
2	LEL048013	1	QUICK SETUP GUIDE, MFC-J4510DW/J4710DW FOR PND (FINNISH/DANISH)	
2	LEK979065	1	QUICK SETUP GUIDE, DCP-J4110DW FOR IBR	
2	LEK366065	1	QUICK SETUP GUIDE, MFC-J4410DW FOR IBR	
2	LEG860065	4	QUICK SETUP GUIDE, MFC-J4510DW FOR IBR	DEL
2	LEL048065	1	QUICK SETUP GUIDE, MFC-J4510DW/J4710DW FOR IBR	
2	LEK979037	1	QUICK SETUP GUIDE, DCP-J4110DW FOR CEE (CZECH/HUNGARIAN/POLISH/ENGLISH)	
2	LEK979039	1	QUICK SETUP GUIDE, DCP-J4110DW FOR CEE (ROMANIAN/BULGARIAN/SLOVAK)	
2	LEK366037	1	QUICK SETUP GUIDE, MFC-J4410DW FOR CEE (CZECH/HUNGARIAN/POLISH/ENGLISH)	
2	LEK366039	1	QUICK SETUP GUIDE, MFC-J4410DW FOR CEE (ROMANIAN/BULGARIAN/SLOVAK)	

11. PRINTED MATERIALS

REF No.	CODE	Q'TY	DESCRIPTION	REMARKS
2	LEG860037	1	QUICK SETUP GUIDE, MFC-J4510DW FOR CEE (CZECH/HUNGARIAN/POLISH/ENGLISH)	
2	LEG860039	1	QUICK SETUP GUIDE, MFC-J4510DW FOR CEE (ROMANIAN/BULGARIAN/SLOVAK)	
3	LEK110001	1	FRENCH SEAL, MFC-J4310DW/J4410DW/J4610DW FOR CAN	
3	LEG507001	1	FRENCH SEAL, MFC-J4510DW/J4710DW FOR CAN	
4	LEL236001	1	SIRIM ALPHABET LABEL, MFC-J2310 FOR ASA	
4	LEL237001	1	SIRIM ALPHABET LABEL, MFC-J2510 FOR ASA	add

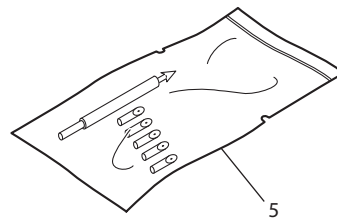
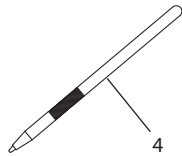
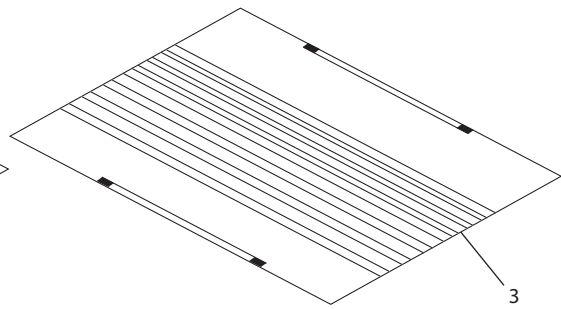
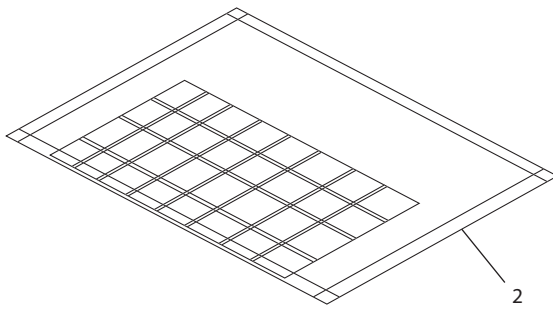
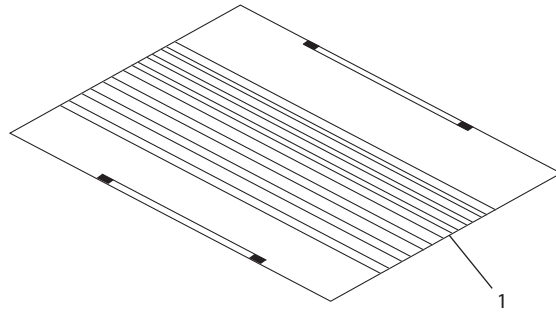
12. PACKING MATERIALS



12. PACKING MATERIALS

REF No.	CODE	Q'TY	DESCRIPTION	REMARKS
1	LEL076001	1	CARTON BROTHER, MFC-J4310DW FOR US	
1	LEK106001	1	CARTON BROTHER, MFC-J4410DW FOR US	
1	LEK360001	1	CARTON BROTHER, MFC-J4510DW FOR US	
1	LEK452001	1	CARTON BROTHER, MFC-J4610DW FOR US	
1	LEK972001	1	CARTON BROTHER, MFC-J4710DW FOR US	
1	LEL081001	1	CARTON BROTHER, MFC-J4310DW FOR CAN	
1	LEK112001	1	CARTON BROTHER, MFC-J4410DW FOR CAN	
1	LEG474001	1	CARTON BROTHER, MFC-J4510DW FOR CAN	
1	LEK457001	1	CARTON BROTHER, MFC-J4610DW FOR CAN	
1	LEK977001	1	CARTON BROTHER, MFC-J4710DW FOR CAN	
1	LEK980001	1	CARTON BROTHER, DCP-J4110DW FOR GER/FRA/CHE	
1	LEK367001	1	CARTON BROTHER, MFC-J4410DW FOR GER/FRA/BEL/NLD/CHE	
1	LEG861001	1	CARTON BROTHER, MFC-J4510DW FOR GER/FRA/BEL/NLD/CHE	
1	LEK576001	1	CARTON BROTHER, MFC-J4610DW FOR GER/FRA/BEL/NLD/CHE	
1	LEL049001	1	CARTON BROTHER, MFC-J4710DW FOR GER/FRA/BEL/NLD/CHE	
1	LEK984001	1	CARTON BROTHER, DCP-J4110DW FOR UK/ISR/CEE	
1	LEK372001	1	CARTON BROTHER, MFC-J4410DW FOR UK/ISR/CEE	
1	LEG895001	1	CARTON BROTHER, MFC-J4510DW FOR UK/ISR/PND/CEE	
1	LEK577001	1	CARTON BROTHER, MFC-J4610DW FOR UK/ITA	
1	LEL053001	1	CARTON BROTHER, MFC-J4710DW FOR UK	
1	LEK379001	1	CARTON BROTHER, MFC-J4410DW FOR ITA/IBR	
1	LEG900001	1	CARTON BROTHER, MFC-J4510DW FOR ITA/IBR	
1	LEL058001	1	CARTON BROTHER, MFC-J4710DW FOR ITA/IBR	
1	LET683001	1	CARTON BROTHER, MFC-J2510 FOR CHN	CHG
1	LEK549001	1	CARTON BROTHER, MFC-J2510 EXCEPT FOR CHN	
1	LEL655001	1	CARTON BROTHER, MFC-J2310 FOR TWN	
1	LEK548001	1	CARTON BROTHER, MFC-J2310 EXCEPT FOR TWN	
1	LEL494001	1	CARTON BROTHER, MFC-J4310DW FOR CHL	
1	LEK792001	1	CARTON BROTHER, MFC-J4510DW FOR ARG/CHL	
1	LEL498001	1	CARTON BROTHER, MFC-J4310DW FOR BRA	
1	LEK807001	1	CARTON BROTHER, MFC-J4510DW FOR BRA	
1	LEK545001	1	CARTON BROTHER, DCP-J4110DW FOR OCE	
1	LEK546001	1	CARTON BROTHER, MFC-J4410DW FOR OCE	
1	LEK448001	1	CARTON BROTHER, MFC-J4510DW FOR OCE	
1	LEK547001	1	CARTON BROTHER, MFC-J4710DW FOR OCE	
1	LEL104001	1	CARTON BROTHER, DCP-J4110DW FOR PND	
1	LEL105001	1	CARTON BROTHER, MFC-J4410DW FOR PND	
1	LEL106001	1	CARTON BROTHER, MFC-J4510DW FOR PND	add
1	LEL107001	1	CARTON BROTHER, MFC-J4710DW FOR PND	
1	LEK990001	1	CARTON BROTHER, DCP-J4110DW FOR IBR	
2	LEG389001	1	PACKING PAD ASSY, DCP-J4110DW, MFC-J2310/J4310DW FOR HK/CHL/ASA/KOR/RUS	
2	LEG223001	1	PACKING PAD ASSY, MFC-J2310/J4310DW FOR US/CAN/TWN/BRA	
2	LED760001	1	PACKING PAD ASSY, MFC-J4410DW/J4510DW FOR US/CAN/BRA	
2	LED756001	1	PACKING PAD ASSY, MFC-J4610DW/J4710DW FOR US/CAN	
2	LED988001	1	PACKING PAD ASSY, MFC-J2510/J4410DW/J4510DW EXCEPT FOR US/CAN/BRA	
2	LEG162001	1	PACKING PAD ASSY, MFC-J4610DW/J4710DW EXCEPT FOR US/CAN	
3	LED901001	1	ACCESSORIES SHEET, MFC-J2310/J4310DW/J4410DW/J4510DW/J4610DW/ J4710DW FOR US/CAN/TWN/BRA	
3	LEL089001	1	ACCESSORIES SHEET, MFC-J2510 FOR CHN	
3	LEG165001	1	ACCESSORIES SHEET, DCP-J4110DW/MFC-J2310/J2510/J4310DW/J4410DW/ J4510DW/J4610DW/J4710DW EXCEPT FOR US/CAN/CHN/TWN/BRA	
4	LED903001	1	BAG 850X770H, DCP-J4110DW/MFC-J2310/J2510/J4310DW/J4410DW/J4510DW	
4	LED947001	1	BAG 900X850H, MFC-J4610DW/J4710DW	
5	LET128001	1	PROTECTIVE PART (SP)	chg
6	LEL157001	1	CHINA ENERGY LABEL FOR CHN	

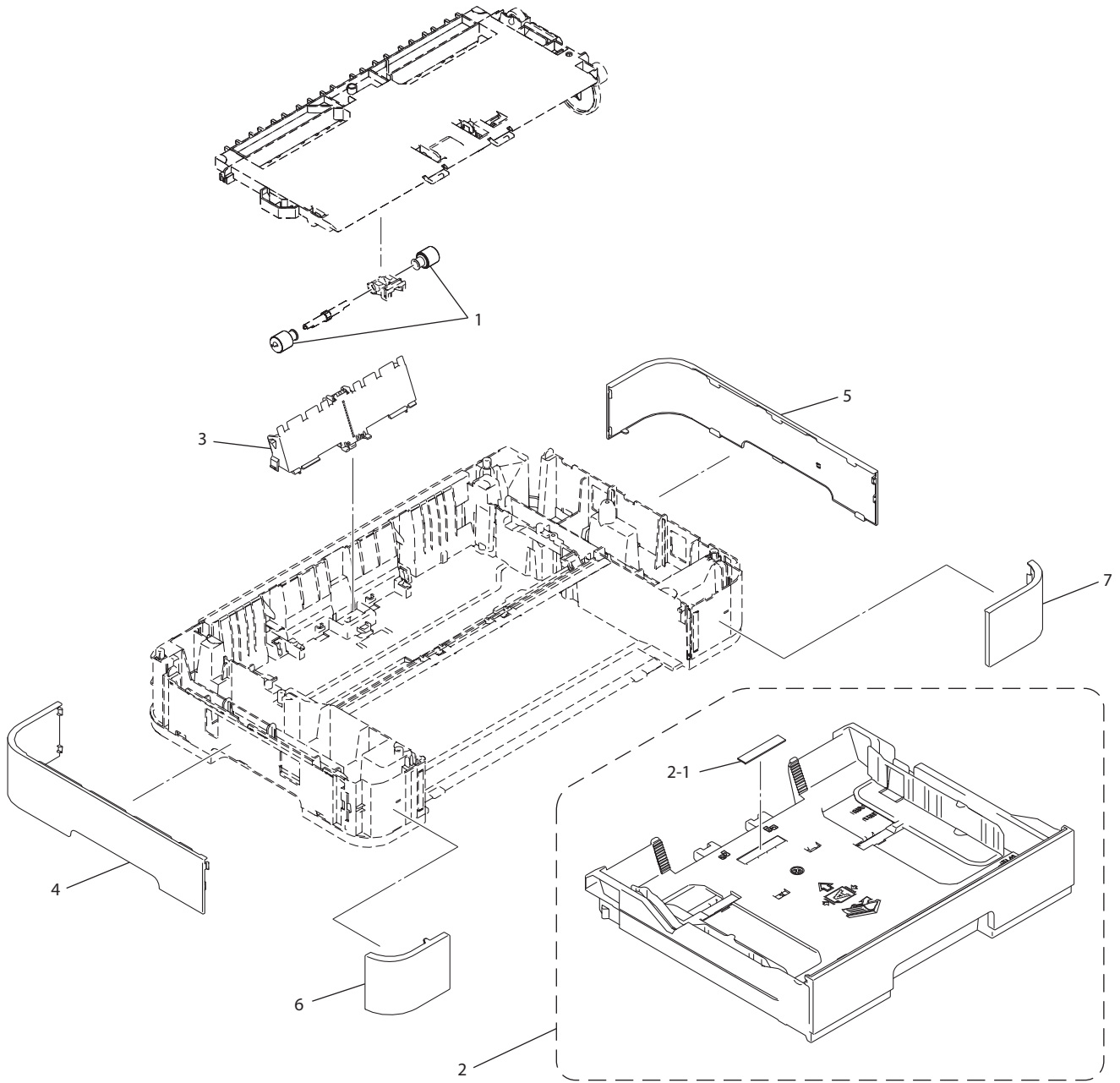
13. OTHERS



13. OTHERS

REF No.	CODE	Q'TY	DESCRIPTION	REMARKS
1	UF8263001	1	TEST CHART-027	
2	UF9258001	1	COLOR TEST CHART CTC-001	
3	UF4600001	1	CONTRAST CHART TC-023	
4	XA9940051	1	TOUCH PEN	
5	ZA0310001	1	HEAD CLEANER STICK ASSY	

14. LOWER TRAY



14. LOWER TRAY

REF No.	CODE	Q'TY	DESCRIPTION	REMARKS
1	LEL245001	2	T2 PAPER PULL-IN ROLLER*, MFC-J4610DW/J4710DW	CHG
2	LEK962001	1	PAPER TRAY ASSY#2(SP), MFC-J4610DW	
2	LEL182001	1	PAPER TRAY ASSY#2(SP), MFC-J4710DW	
2-1	LED275001	1	BASE PAD, MFC-J4610DW/J4710DW	
3	LED538001	1	BANK ASSY, MFC-J4610DW/J4710DW	
4	LED589022	1	LT SIDE COVER L, MFC-J4610DW/J4710DW	
5	LED590022	1	LT SIDE COVER R, MFC-J4610DW/J4710DW	
6	LED591022	1	LT FRONT COVER L, MFC-J4610DW/J4710DW	
7	LED592022	1	LT FRONT COVER R, MFC-J4610DW/J4710DW	

* If you replace the old part with the new one, please upgrade the firmware version.
Please refer to Parts Change Information; 1000039445 for the detail.