

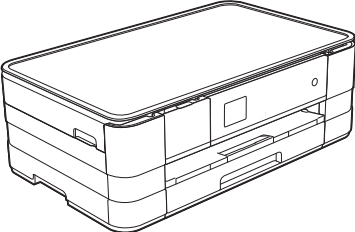
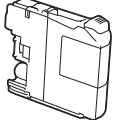
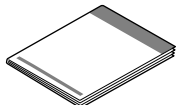
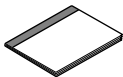
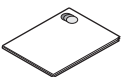




Please read the Product Safety Guide first before you set up your machine. Then, please read this Quick Setup Guide for the correct setup and installation.

 WARNING	<u>WARNING</u> indicates a potentially hazardous situation which, if not avoided, could result in death or serious injuries.
 CAUTION	<u>CAUTION</u> indicates a potentially hazardous situation which, if not avoided, may result in minor or moderate injuries.
IMPORTANT	<u>IMPORTANT</u> indicates a potentially hazardous situation which, if not avoided, may result in damage to property or loss of product functionality.
NOTE	Notes tell you how you should respond to a situation that may arise or give tips about how the operation works with other features.

1 Unpack the machine and check the components

■ The components included in the box may differ depending on your country.

	 Introductory Ink Cartridges	Black Yellow Cyan Magenta (Approx. 65% yield of the replacement cartridge) ►►Basic User's Guide: <i>Consumable items</i>	 Quick Setup Guide
 Basic User's Guide	 Product Safety Guide	 CD-ROM	 Power Cord

WARNING

Plastic bags are used in the packing of your machine. To avoid the danger of suffocation, keep these plastic bags away from babies and children. Plastic bags are not toys.

NOTE

- Save all packing materials and the box in case for any reason you must ship your machine.
- You need to purchase the correct interface cable for the interface you want to use (for USB or network connection).

USB cable

It is recommended to use a USB 2.0 cable (Type A/B) that is no more than 2 metres long.

Network cable

Use a straight-through Category5 (or greater) twisted-pair cable for 10BASE-T or 100BASE-TX Fast Ethernet Network.

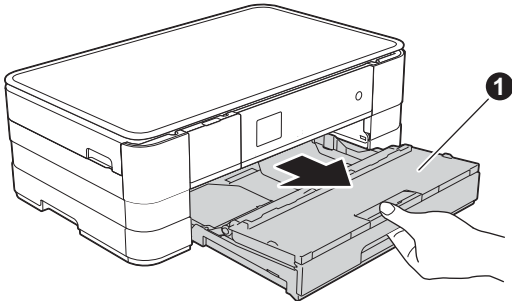
- Remove the protective tape and film covering the machine, and also from the Touchscreen.
- Make sure you have all the components.

2 Load plain A4 paper

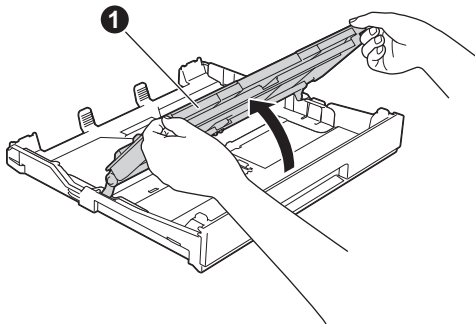
⚠ CAUTION

DO NOT carry the machine by holding the scanner cover, the Jam Clear Cover, the manual feed slot cover, or the control panel. Doing this may cause the machine to slip out of your hands. Carry the machine by sliding your hands into the handhold indentations located on each side of the machine. For detailed information, see the *Product Safety Guide*.

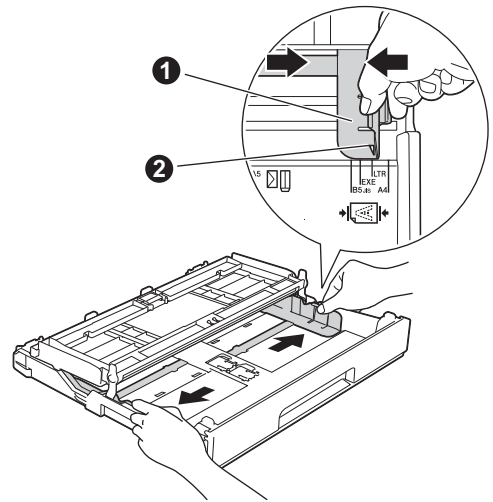
- a** Pull the paper tray ① completely out of the machine.



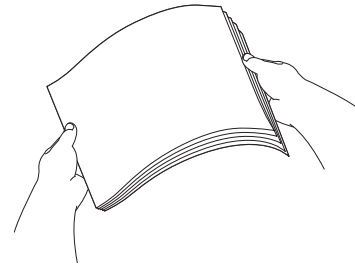
- b** Open the output paper tray cover ①.



- c** Gently press and slide the paper guides ① to fit the paper size. Make sure that the triangular mark ② on the paper guide ① lines up with the mark for the paper size you are using.



- d** Fan the stack of paper well to avoid paper jams and misfeeds.



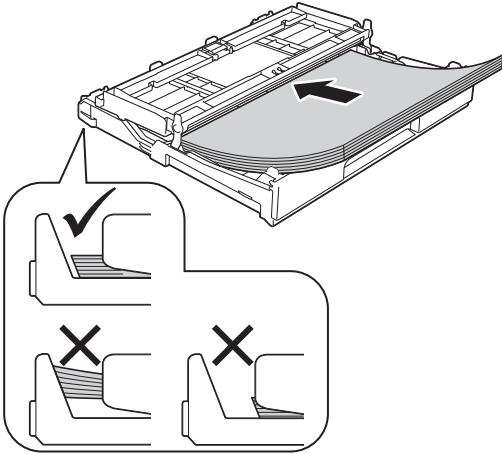
NOTE

Always make sure that the paper is not curled or wrinkled.

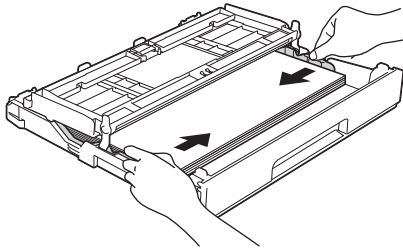
- e** Gently put the paper into the paper tray print side down and top edge first.

IMPORTANT

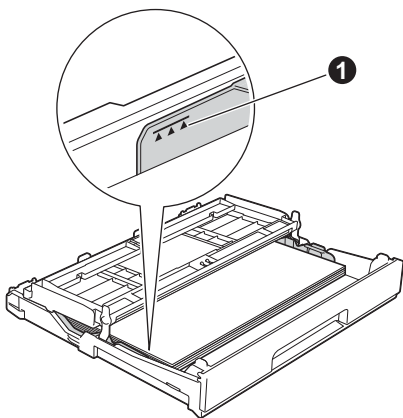
Be careful that you do not push the paper in too far; it may lift at the back of the tray and cause paper feed problems.



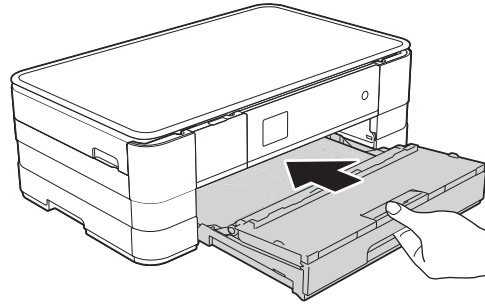
- f** Gently adjust the paper guides to fit the paper. Make sure that the paper guides touch the edges of the paper.



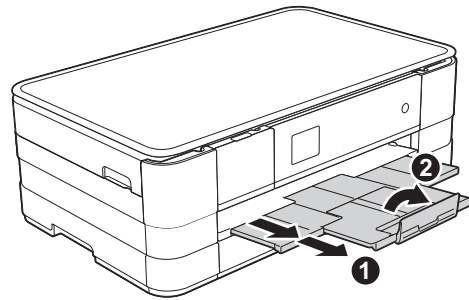
- g** Check that the paper is flat in the tray and below the maximum paper mark **1**. Close the output paper tray cover.



- h** Slowly push the paper tray completely into the machine.



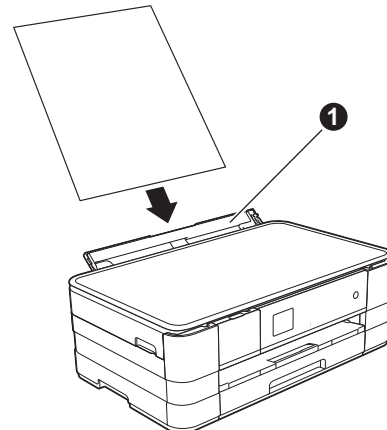
- i** While holding the paper tray in place, pull out the paper support **1** until it clicks, and then unfold the paper support flap **2**.



NOTE

*For printing and copying on special media, open the manual feed slot **1** on the back of the machine. Feed only one sheet at a time of A3, Ledger, Legal, envelopes, or thicker paper when using the manual feed slot.*

For details, see Loading paper in the manual feed slot in chapter 2 of the Basic User's Guide.



3

Connect the power cord

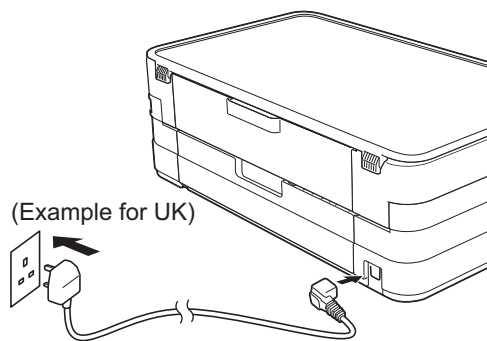
! WARNING

The machine must be fitted with an earthed plug.

IMPORTANT

DO NOT connect the USB cable yet (if you are using a USB cable).

- a Connect the power cord.



NOTE

The Warning LED on the control panel will stay on until you have installed the ink cartridges.

4

Choose your language

- a Press your language.
- b Press Yes or No.

NOTE

If you set the wrong language, you can change it after setting the date and time. (▶▶Advanced User's Guide: Changing the Touchscreen language)

5

Install the ink cartridges

! CAUTION

If ink gets in your eyes, wash it out with water at once and call a doctor if you are concerned.

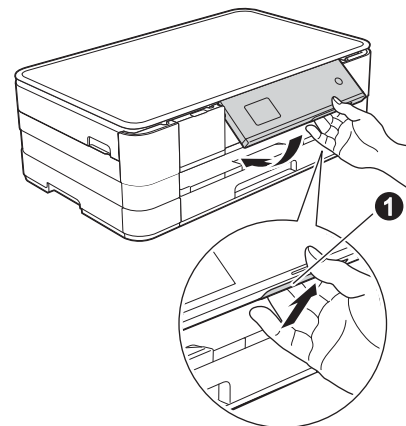
NOTE

Make sure you install the Introductory Ink Cartridges included with your machine first.

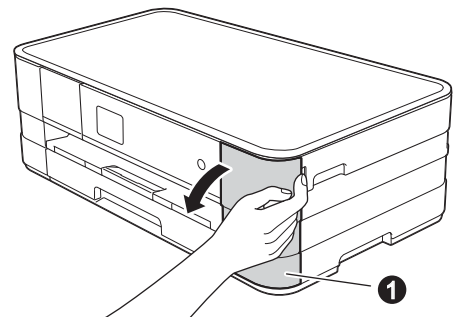
- a Make sure that the power is turned on. The Touchscreen will show No Ink Cartridge.

NOTE

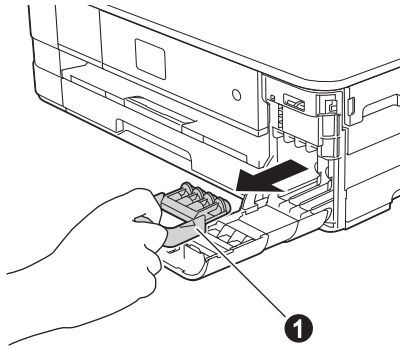
You can adjust the angle of the control panel by lifting it. When lowering the control panel, make sure you push the release button ❶ that is located behind the mark.



- b Open the ink cartridge cover ❶.



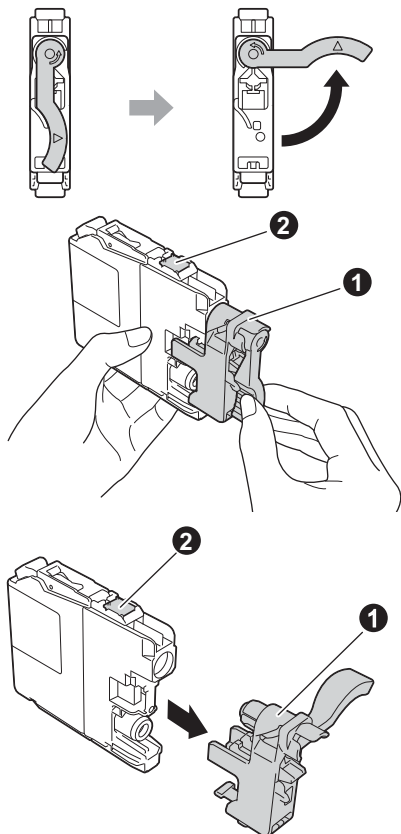
- c** Remove the orange protective part ①.



NOTE

Do not throw away the orange protective part. You will need it if you transport the machine.

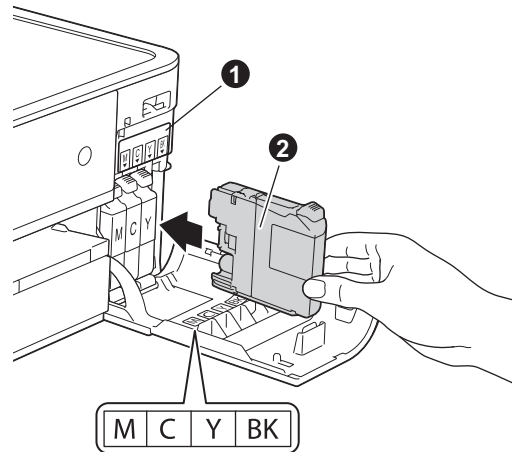
- d** Unpack the ink cartridge. Turn the green release lever on the orange protective packing ① counterclockwise until it clicks to release the vacuum seal. Then remove the orange protective packing ① as shown.



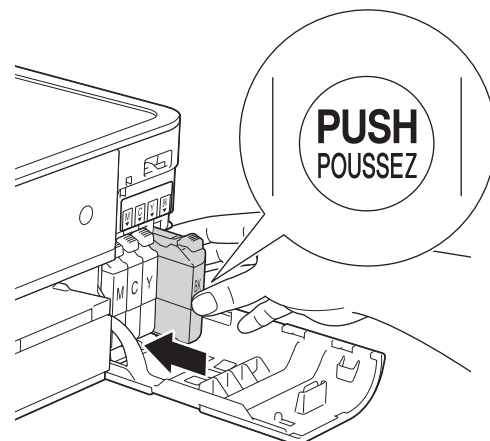
IMPORTANT

- **DO NOT** shake the ink cartridges. If ink stains your skin or clothing, wash with soap or detergent at once.
- **DO NOT** touch the cartridge in the area indicated ②, as this can cause the machine not to function with the cartridge.

- e** Take care to match the sticker colour ① with the cartridge colour ② as shown in the diagram below. Install each ink cartridge in the direction of the arrow on the label.



- f** Gently push the back of the ink cartridge marked "PUSH" until the cartridge lever lifts. After all the ink cartridges are installed close the ink cartridge cover.

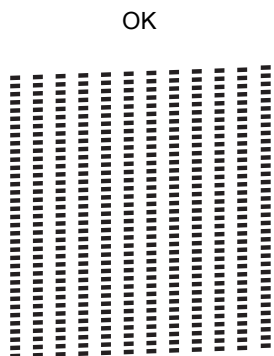


NOTE

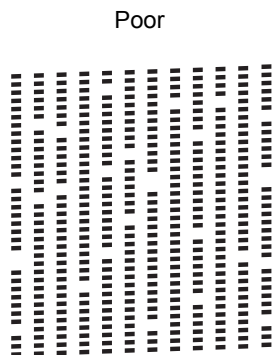
The machine will prepare the ink tube system for printing. This process will take approximately four minutes. Do not turn off the machine.

6 Check the print quality

- a** When the preparation process has finished, the Touchscreen shows **Set Paper** and Press **Start**.
Press **Start**.
- b** Check the quality of the four colour blocks on the sheet. (black/yellow/cyan/magenta)
- c** If all lines are clear and visible, press **Yes** to finish the quality check and go to the next step.



If you can see missing short lines, press **No** and follow the steps on the Touchscreen.



7 Set the date and time

Setting the date and time allows the machine to clean the print head regularly and maintain optimum print quality. It also allows the machine to name files created when using the **Scan to Media** feature.

- a** Press **Settings**.
- b** Press **▲** or **▼** to display **Initial Setup**. Press **Initial Setup**.
- c** Press **Date & Time**.

- d** Press **Date & Time**.
Enter the last two digits of the year on the Touchscreen, and then press **OK**.
To move the cursor to the left, press **←** and re-enter the number.



(e.g. Enter 12 for 2012.)

- e** Repeat for month/day/time in 24-hour format.
- f** Press **Home**.

8 Set the Time Zone

You can set the time zone on the machine for your location.

- a** Press **Settings**.
- b** Press **▲** or **▼** to display **Initial Setup**. Press **Initial Setup**.
- c** Press **Date & Time**.
- d** Press **Time Zone**.
- e** Enter your time zone.
Press **OK**.
- f** Press **Home**.

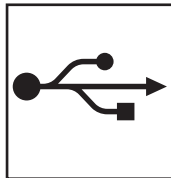
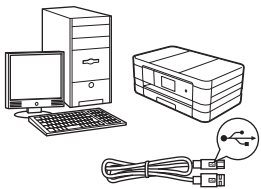
9

Choose your connection type

These installation instructions are for Windows® XP Home, XP Professional, XP Professional x64 Edition, Windows Vista®, Windows® 7, and Mac OS X v10.5.8, 10.6.x, 10.7.x.

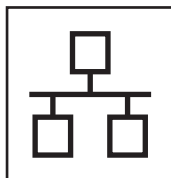
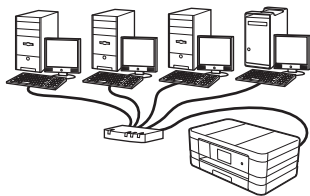
NOTE

- For Windows Server® 2003/2008/2008 R2, the drivers can be found from your model's download page at <http://solutions.brother.com/>.
- If your computer does not have a CD-ROM drive you can download the latest drivers, manuals and utilities for your model from the Brother Solutions Center at <http://solutions.brother.com/>. Some software applications included on the CD-ROM may not be available as a download.
- For the latest drivers and information, visit <http://solutions.brother.com/>.



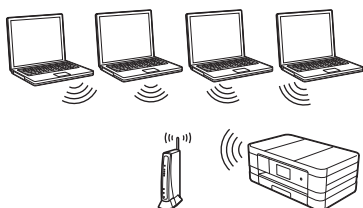
For USB interface cable

Windows®, go to page 8
Macintosh, go to page 11



For Wired Network

Windows®, go to page 14
Macintosh, go to page 18



For Wireless Network

Windows® and Macintosh,
go to page 22

Windows®
USB
Macintosh

Windows®
Wired Network
Macintosh

Wireless Network



For USB interface users

(Windows® XP Home/XP Professional/Windows Vista®/Windows® 7)

10 Before you install

Make sure that your computer is ON and you are logged on with Administrator rights.

IMPORTANT

- DO NOT connect the USB cable yet.
- If there are any programs running, close them.

NOTE

- The screens may differ depending on your operating system.
- The CD-ROM includes Nuance™ PaperPort™ 12SE. This software supports Windows® XP Home (SP3 or greater), XP Professional (SP3 or greater), XP Professional x64 Edition (SP2 or greater), Windows Vista® (SP2 or greater) and Windows® 7. Update to the latest Windows® Service Pack before installing MFL-Pro Suite.

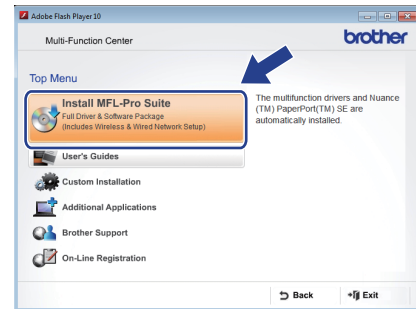
11 Install MFL-Pro Suite

- a** Put the supplied installation CD-ROM into your CD-ROM drive. If the model name screen appears, choose your machine. If the language screen appears, choose your language.

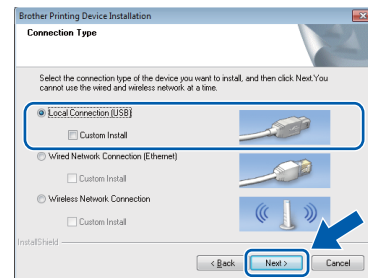
NOTE

- For Windows Vista® and Windows® 7, when the User Account Control screen appears click **Continue** or **Yes**.
- If the Brother screen does not appear automatically, go to **My Computer** or **Computer** then double-click the CD-ROM icon and double-click **start.exe**.

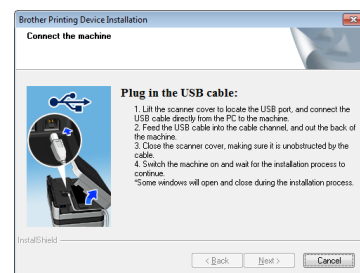
- b** The CD-ROM Top menu will appear. Click **Install MFL-Pro Suite** and click **Yes** if you accept the license agreements. Follow the on-screen instructions.



- c** Choose **Local Connection (USB)**, and then click **Next**. The installation continues.



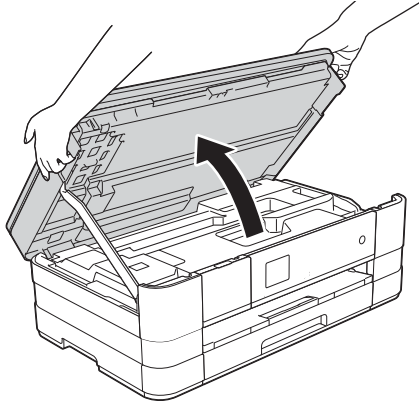
- d** When this screen appears, go to the next step.




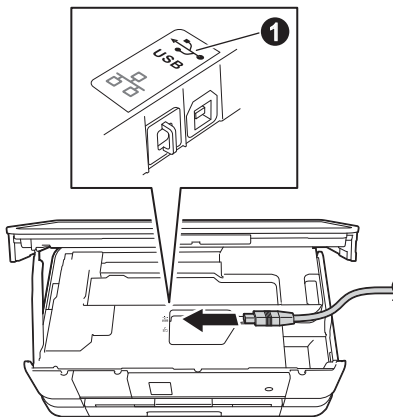


12 Connect the USB cable

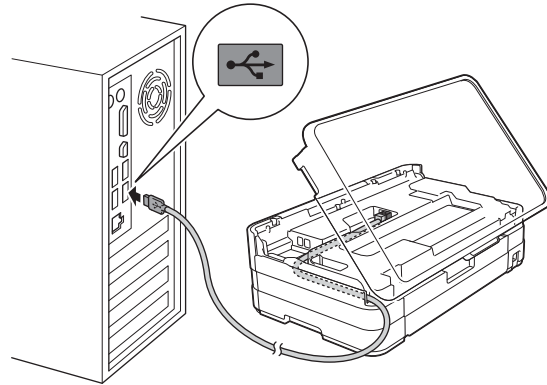
a Lift the scanner cover until it locks securely into the open position.



b Connect the USB cable to the USB port marked with a  symbol ①. You will find the USB port inside the machine on the right, as shown in the callout below.



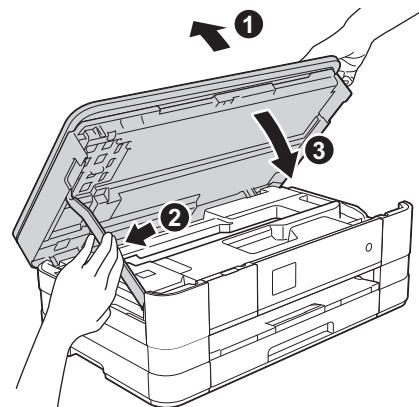
c Carefully guide the USB cable into the cable channel and out the back of the machine. Connect the cable to your computer.



IMPORTANT

Make sure that the cable does not restrict the cover from closing, or an error may occur.

d Lift the scanner cover to release the lock ①. Gently push the scanner cover support down ② and close the scanner cover ③ using both hands.



e The installation will continue automatically. The installation screens appear one after another.

IMPORTANT

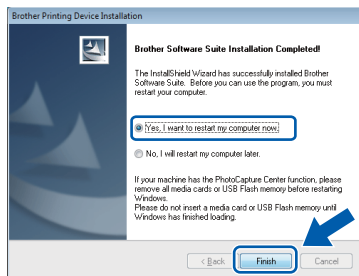
DO NOT cancel any of the screens during the installation. It may take a few seconds for all screens to appear.




- f** If **Environmental Advice for Imaging Equipment** screen appears, click **Next**.
- g** When the **On-Line Registration** screen is displayed, follow the on-screen instructions. Click **Next**.
- h** If you do not want to set your machine as the default printer, uncheck **Set as Default Printer** and click **Next**.

13 Finish and restart

- a** Click **Finish** to restart your computer. After restarting the computer, you must log on with Administrator rights.



NOTE

- If an error message appears during the software installation, run the **Installation Diagnostics** located in  **Start/All Programs/Brother/DCP-JXXX** (where DCP-JXXX is your model name).
- Depending on your security settings, a Windows® Security or antivirus software window may appear when using the machine or its software. Please allow or permit the window to continue.

- b** The following screens will appear.
 - When the **Software Update Setting** screen appears, choose the software update setting you want and click **OK**.
 - When the Brother Product Research and Support Program screen appears, select your preference and follow the on-screen instructions.

NOTE

Internet access is required for the software update and the Brother Product Research & Support Program.

Finish The installation is now complete.

To install optional applications:

Now go to

Page 38

NOTE

XML Paper Specification Printer Driver
 The XML Paper Specification Printer Driver is the most suitable driver for Windows Vista® and Windows® 7 when printing from applications that use the XML Paper Specification documents. Please download the latest driver by accessing the Brother Solutions Center at <http://solutions.brother.com/>.



For USB interface users (Mac OS X v10.5.8, 10.6.x, 10.7.x)

10 Before you install

Make sure your machine is connected to the power and your Macintosh is ON. You must be logged on with Administrator rights.

NOTE

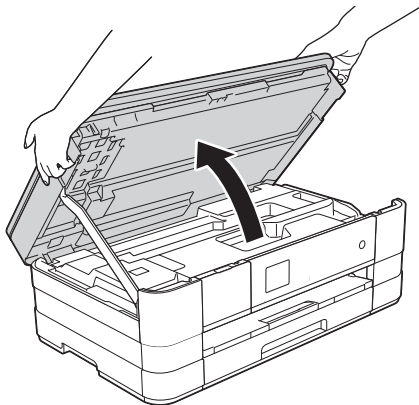
For Mac OS X v10.5.0 to 10.5.7 users, upgrade to Mac OS X v10.5.8 - 10.7.x.


11 Connect the USB cable

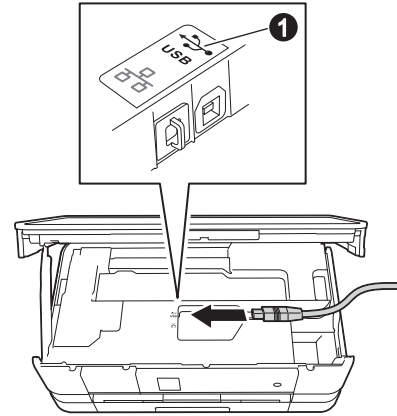
IMPORTANT

- DO NOT connect the machine to a USB port on a keyboard or a non-powered USB hub.
- Connect the machine directly to your Macintosh.

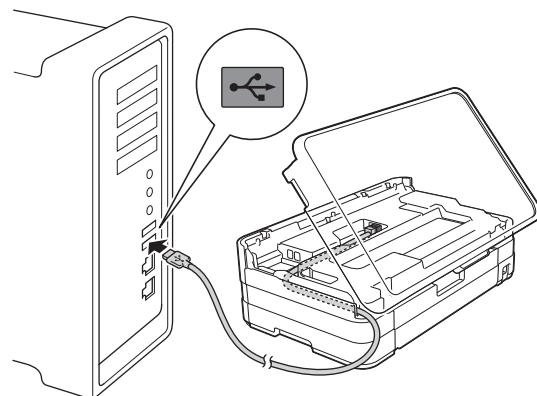
- a** Lift the scanner cover until it locks securely into the open position.



- b** Connect the USB cable to the USB port marked with a  symbol **1**. You will find the USB port inside the machine on the right, as shown in the callout below.



- c** Carefully guide the USB cable into the cable channel and out the back of the machine. Connect the cable to your Macintosh.

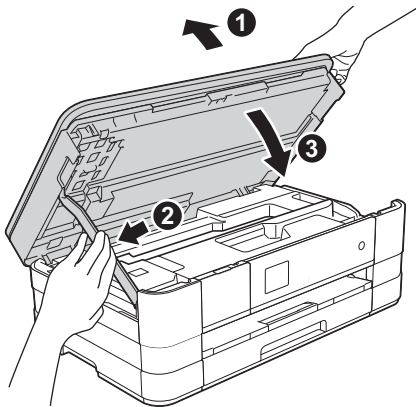


IMPORTANT

Make sure that the cable does not restrict the cover from closing, or an error may occur.



- d** Lift the scanner cover to release the lock ①. Gently push the scanner cover support down ② and close the scanner cover ③ using both hands.

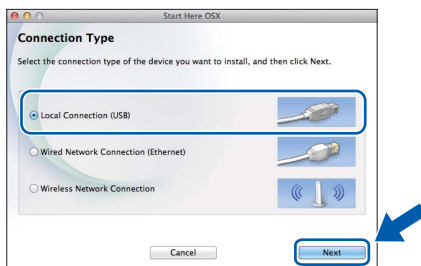


12 Install MFL-Pro Suite

- a** Put the supplied installation CD-ROM into your CD-ROM drive.
- b** Double-click the **Start Here OSX** icon to install. If the model name screen appears, choose your machine.

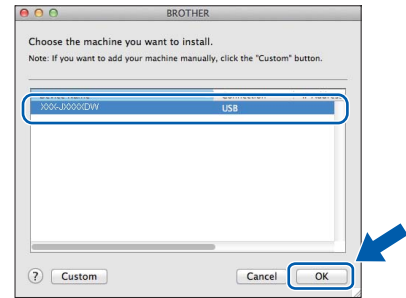


- c** Choose **Local Connection (USB)**, and then click **Next**. Follow the on-screen instructions.



- d** Please wait for the software to install. After the installation, the Brother software will search for the Brother device. This will take a few moments to complete.

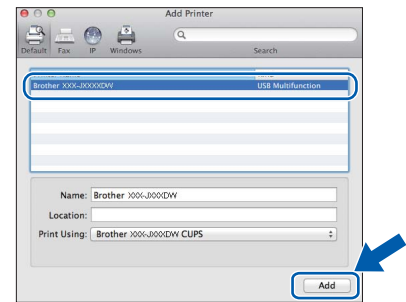
- e** Choose your machine from the list, and then click **OK**.



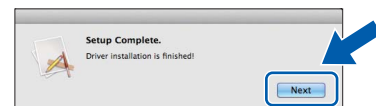
- f** When this screen appears, click **Add Printer**.



Choose your machine from the list. Click **Add** and then click **Next**.



- g** When this screen appears, click **Next**.



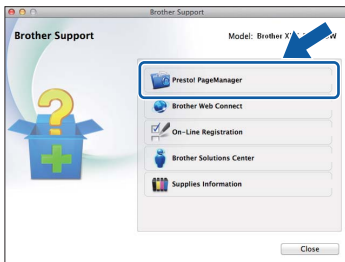
- OK!** The installation of MFL-Pro Suite is now complete. Go to step 13.



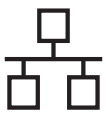
13 Download and install Presto! PageManager

When Presto! PageManager is installed, OCR capability is added to Brother ControlCenter2. You can easily scan, share and organize photos and documents using Presto! PageManager.

- a On the **Brother Support** screen, click the **Presto! PageManager** to go to the Presto! PageManager download site, and follow the on-screen instructions.



Finish The installation is now complete.



For wired network interface users

(Windows® XP Home/XP Professional/Windows Vista®/Windows® 7)

10 Before you install

Make sure that your computer is ON and you are logged on with Administrator rights.

IMPORTANT

If there are any programs running, close them.

NOTE

- The screens may differ depending on your operating system.
- The CD-ROM includes Nuance™ PaperPort™ 12SE. This software supports Windows® XP Home (SP3 or greater), XP Professional (SP3 or greater), XP Professional x64 Edition (SP2 or greater), Windows Vista® (SP2 or greater) and Windows® 7. Update to the latest Windows® Service Pack before installing MFL-Pro Suite.
- If you have previously set up your machine for a wireless network and then want to set it up on a wired network, you should check that the machine's Network I/F is set to Wired LAN. The wireless network interface will become inactive with this setting.

On your machine, press *Settings*.

Press **▲** or **▼** to display *Network*.

Press *Network*.

Press **▲** or **▼** to display *Network I/F*.

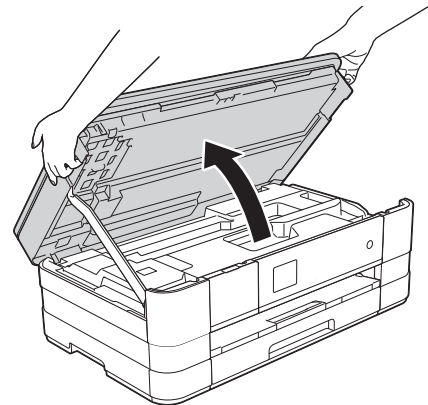
Press *Network I/F*.

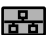
Press *Wired LAN*.

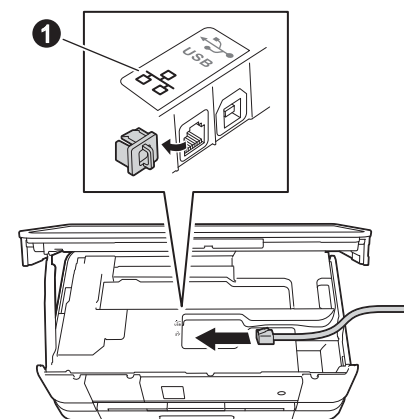
Press .

11 Connect the network cable

- a** Lift the scanner cover until it locks securely into the open position.

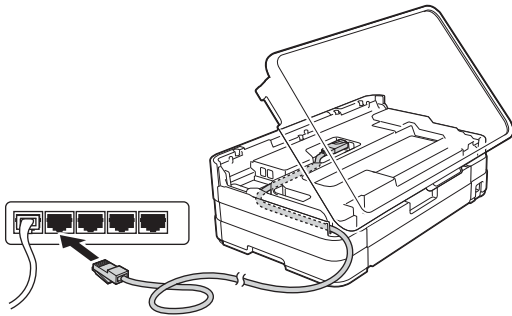


- b** Connect the network cable to the Ethernet port marked with a  symbol **1**. You will find the Ethernet port inside the machine on the left, as shown in the callout below. Remove the orange protective cap before connecting the cable.





- c Carefully guide the network cable into the cable channel and out the back of the machine. Connect the cable to your network.



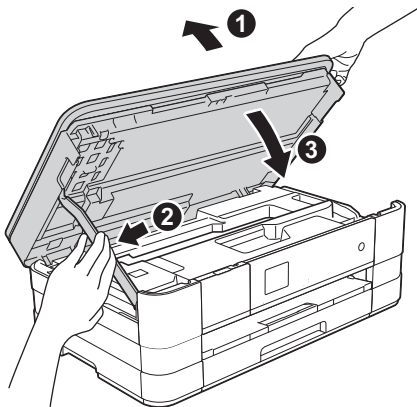
IMPORTANT

Make sure that the cable does not restrict the cover from closing, or an error may occur.

NOTE

If both the USB and the network cables are being used, guide both cables through the cable channel with one on top of the other.

- d Lift the scanner cover to release the lock ①. Gently push the scanner cover support down ② and close the scanner cover ③ using both hands.



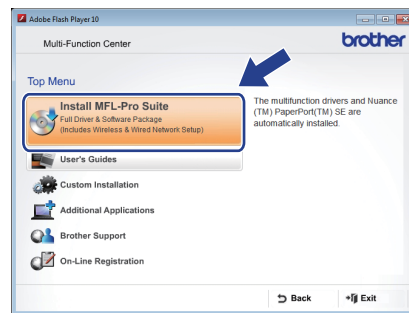
12 Install MFL-Pro Suite

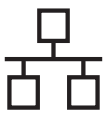
- a Put the supplied installation CD-ROM into your CD-ROM drive. If the model name screen appears, choose your machine. If the language screen appears, choose your language.

NOTE

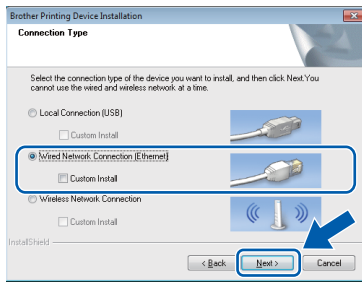
- For Windows Vista® and Windows® 7, when the User Account Control screen appears click **Continue** or **Yes**.
- If the Brother screen does not appear automatically, go to **My Computer** or **Computer** then double-click the CD-ROM icon and double-click **start.exe**.

- b The CD-ROM Top menu will appear. Click **Install MFL-Pro Suite** and click **Yes** if you accept the license agreements. Follow the on-screen instructions.

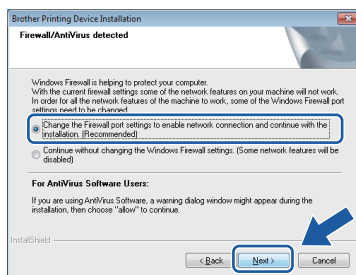




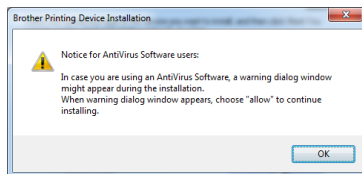
- c** Choose **Wired Network Connection (Ethernet)**, and then click **Next**.



- d** When this screen appears, choose **Change the Firewall port settings to enable network connection and continue with the installation. (Recommended)** and click **Next**.



If you are using a firewall other than the Windows® Firewall or the Windows® Firewall is off, this screen may appear.

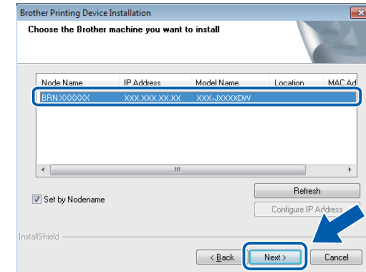


See the instructions provided with your firewall software for information on how to add the following network ports.

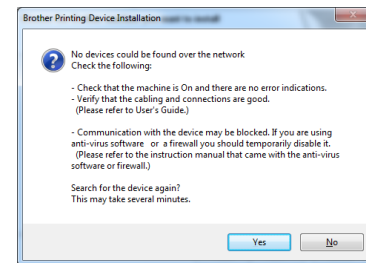
- For network scanning, add UDP port 54925.
- If you still have trouble with your network connection, add UDP ports 137 and 161.

NOTE

- If there is more than one machine connected to the network, choose your machine from the list, and then click **Next**. This window will not appear if there is only one machine connected to the network, the machine will be chosen automatically.



- If your machine is not found over the network, the following screen will appear.



Confirm your settings by following the on-screen instructions.

- e** The installation of the Brother drivers will automatically start. The installation screens appear one after another.

IMPORTANT

DO NOT cancel any of the screens during the installation. It may take a few seconds for all screens to appear.

NOTE

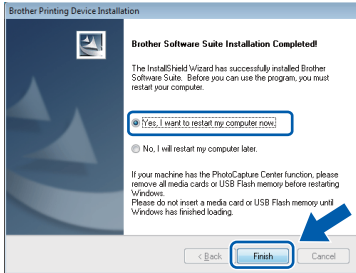
*For Windows Vista® and Windows® 7, when the Windows® Security screen appears, click the check box and click **Install** to complete the installation correctly.*

- f** If **Environmental Advice for Imaging Equipment** screen appears, click **Next**.
- g** When the **On-Line Registration** screen is displayed, follow the on-screen instructions. Click **Next**.
- h** If you do not want to set your machine as the default printer, uncheck **Set as Default Printer** and click **Next**.




13 Finish and restart

- a Click **Finish** to restart your computer. After restarting the computer, you must log on with Administrator rights.



NOTE

- If an error message appears during the software installation, run the **Installation Diagnostics** located in  **Start/All Programs/Brother/DCP-JXXX** (where DCP-JXXX is your model name).
- Depending on your security settings, a Windows® Security or antivirus software window may appear when using the machine or its software. Please allow or permit the window to continue.

- b The following screens will appear.
 - When the **Software Update Setting** screen appears, choose the software update setting you want and click **OK**.
 - When the Brother Product Research and Support Program screen appears, select your preference and follow the on-screen instructions.

NOTE

Internet access is required for the software update and the Brother Product Research & Support Program.

14 Install MFL-Pro Suite on additional computers (if needed)

If you want to use your machine with multiple computers on the network, install MFL-Pro Suite on each computer. Go to step **12** on page 15. Also see step **10** on page 14 before you install.

NOTE

Network license (Windows®)

This product includes a PC license for up to 2 users. This license supports the installation of the MFL-Pro Suite including Nuance™ PaperPort™ 12SE on up to 2 PCs on the network. If you want to use more than 2 PCs with Nuance™ PaperPort™ 12SE installed, please purchase the Brother NL-5 pack which is a multiple PC license agreement pack for up to 5 additional users. To purchase the NL-5 pack, contact Brother customer service or your local Brother dealer.

Finish

The installation is now complete.

To install optional applications:

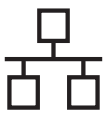
Now go to

Page 38

NOTE

XML Paper Specification Printer Driver

The XML Paper Specification Printer Driver is the most suitable driver for Windows Vista® and Windows® 7 when printing from applications that use the XML Paper Specification documents. Please download the latest driver by accessing the Brother Solutions Center at <http://solutions.brother.com/>.



For wired network interface users (Mac OS X v10.5.8, 10.6.x, 10.7.x)

10 Before you install

Make sure your machine is connected to the power and your Macintosh is ON. You must be logged on with Administrator rights.

NOTE

- For Mac OS X v10.5.0 to 10.5.7 users, upgrade to Mac OS X v10.5.8 - 10.7.x.
- If you have previously set up your machine for a wireless network and then want to set it up on a wired network, you should check that the machine's Network I/F is set to *Wired LAN*. The wireless network interface will become inactive with this setting.

On your machine, press *Settings*.

Press \blacktriangle or \blacktriangledown to display *Network*.

Press *Network*.

Press \blacktriangle or \blacktriangledown to display *Network I/F*.

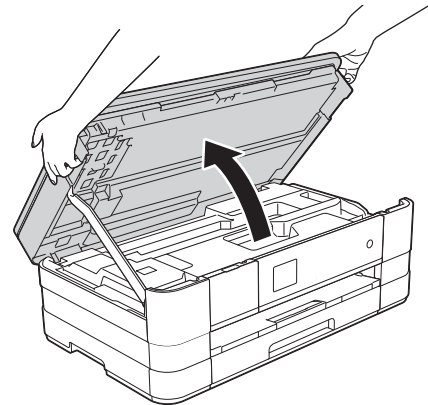
Press *Network I/F*.


Press *Wired LAN*.

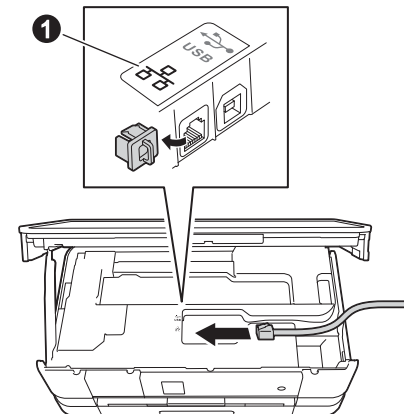
Press .

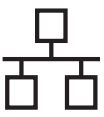
11 Connect the network cable

- a** Lift the scanner cover until it locks securely into the open position.

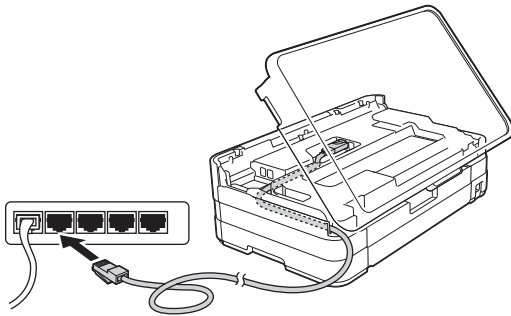


- b** Connect the network cable to the Ethernet port marked with a  symbol **1**. You will find the Ethernet port inside the machine on the left, as shown in the callout below. Remove the orange protective cap before connecting the cable.





- c** Carefully guide the network cable into the cable channel and out the back of the machine. Connect the cable to your network.



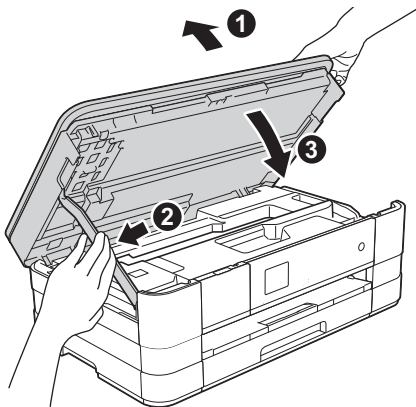
IMPORTANT

Make sure that the cable does not restrict the cover from closing, or an error may occur.

NOTE

If both the USB and the network cables are being used, guide both cables through the cable channel with one on top of the other.

- d** Lift the scanner cover to release the lock ①. Gently push the scanner cover support down ② and close the scanner cover ③ using both hands.

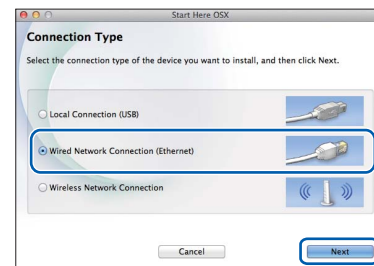


12 Install MFL-Pro Suite

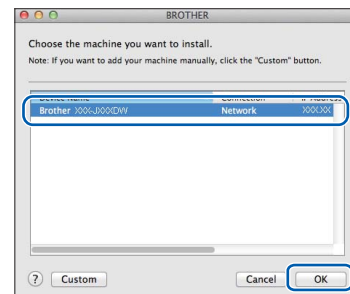
- a** Put the supplied installation CD-ROM into your CD-ROM drive.
- b** Double-click the **Start Here OSX** icon to install. If the model name screen appears, choose your machine.

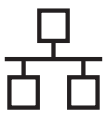


- c** Choose **Wired Network Connection (Ethernet)**, and then click **Next**. Follow the on-screen instructions.



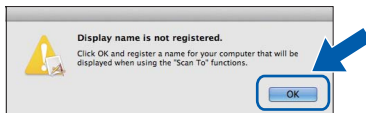
- d** Please wait for the software to install. After the installation, the Brother software will search for the Brother device. This will take a few moments to complete.
- e** If the machine is configured for your network, choose your machine from the list, and then click **OK**.



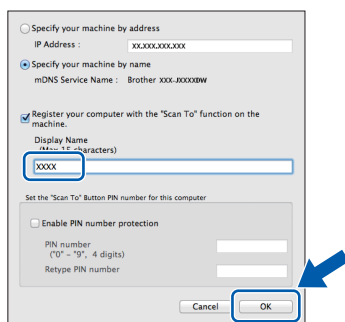


NOTE

- If your machine is not found over the network, confirm your network settings.
- You can find your machine's MAC Address (Ethernet Address) and IP Address by printing out the Network Configuration Report.
➤➤ Network User's Guide: Printing the Network Configuration Report
- If this screen appears, click **OK**.



Enter a name for your Macintosh up to 15 characters long.



If you want to use the scan feature directly from your machine to scan over the network, you must check the **Register your computer with the "Scan To" function on the machine box**. Click **OK**. Go to **f**.

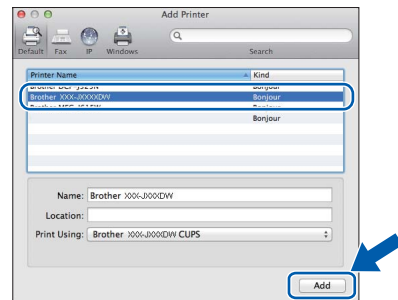
The name you enter will appear on the machine's Touchscreen when you press *Scan* and choose a scan option. (➤➤ Software User's Guide: Network Scanning)



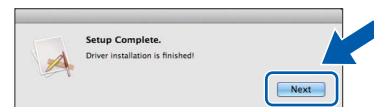
When this screen appears, click **Add Printer**.



Choose your machine from the list. Click **Add** and then click **Next**.



When this screen appears, click **Next**.



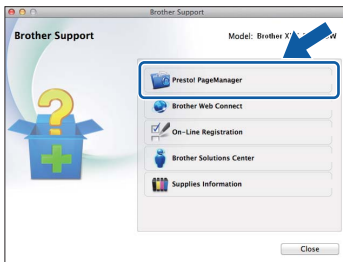
The installation of MFL-Pro Suite is now complete. Go to step **13**.



13 Download and install Presto! PageManager

When Presto! PageManager is installed, OCR capability is added to Brother ControlCenter2. You can easily scan, share and organize photos and documents using Presto! PageManager.

- a** On the **Brother Support** screen, click the **Presto! PageManager** to go to the Presto! PageManager download site, and follow the on-screen instructions.



14 Install MFL-Pro Suite on additional computers (if needed)

If you want to use your machine with multiple computers on the network, install MFL-Pro Suite on each computer. Go to step **12** on page 19. Also see step **10** on page 18 before you install.

Finish

The installation is now complete.



For wireless network interface users

10 Before you begin

First you must configure the wireless network settings of your machine to communicate with your access point/router. After the machine is configured to communicate with your access point/router, computers on your network will have access to the machine. To use the machine from these computers, you will need to install the drivers and software. The following steps will guide you through the configuration and installation process.

To achieve optimum results with normal everyday document printing, place the Brother machine as close to the network access point/router as possible with minimal obstructions. Large objects and walls between the two devices as well as interference from other electronic devices can affect the data transfer speed of your documents.

Due to these factors, wireless may not be the best method of connection for all types of documents and applications. If you are printing large files, such as multi-page documents with mixed text and large graphics, you may want to consider choosing wired Ethernet for a faster data transfer or USB for the fastest throughput speed.

Although your Brother machine can be used in both a wired and wireless network, only one of the connection methods can be used at a time.

NOTE

If you have previously configured the wireless settings of the machine you must reset the network settings before you can configure the wireless settings again.

*On your machine, press **Settings**.*

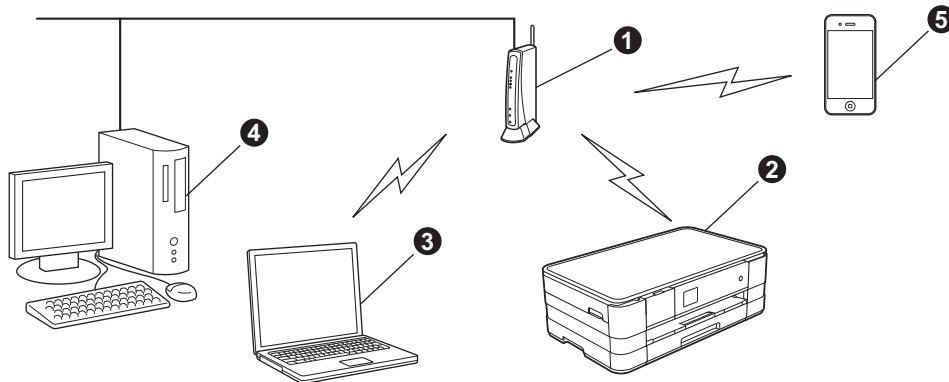
*Press **▲** or **▼** to display **Network**. Press **Network**.*

*Press **▲** or **▼** to display **Network Reset**. Press **Network Reset**.*

*Press **Yes** to accept. Hold down **Yes** for 2 seconds to confirm.*

The following instructions are for infrastructure mode (connected to a computer through an access point/router).

Infrastructure Mode



- 1 Access point/router
- 2 Wireless network machine (your machine) connected to the access point/router
- 3 Wireless-capable computer connected to the access point/router
- 4 Wired computer connected to the access point/router
- 5 Mobile device connected to the access point/router

Please make sure the wireless network settings of the machine match the access point/router.

NOTE

To set up your machine in Ad-hoc mode (connected to a wireless-capable computer without an access point/router) you can find instructions in the Network User's Guide on the CD-ROM.

You can view the Network User's Guide by following the instructions below.

1 Turn on your computer. Insert the CD-ROM into your CD-ROM drive.

For Windows®:

2 Choose your model and the language. The CD-ROM top menu will appear.

*3 Click **User's Guides**, and then click **PDF documents**.*

4 Click Network User's Guide.

For Macintosh:

*2 Double-click **User's Guides**. Choose your model and the language.*

*3 Click **User's Guides**, and then click Network User's Guide.*

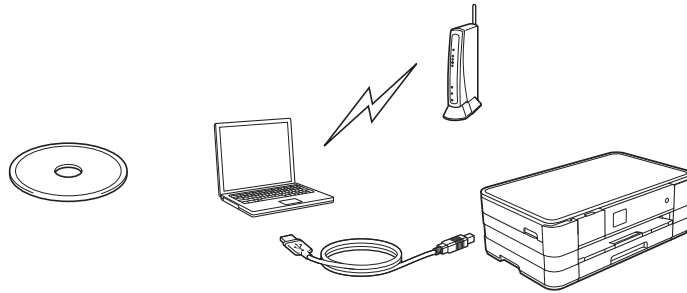


11 Choose your wireless setup method

The following instructions offer three methods for setting up your Brother machine on a wireless network. Choose the method you prefer for your environment.

a Setup using the installation CD-ROM and a USB cable (Windows® and Macintosh)

You need to temporarily use a USB cable during configuration (cable not included).



It is recommended that you use a computer wirelessly connected to your network for this method.

- If you are using Windows® XP, or currently using a computer connected to an access point/router by network cable, you need to know your wireless settings. Please write down your wireless network settings in the area below.
- Please do not contact Brother Customer Service for assistance without the wireless security information. We cannot assist you in locating your network security settings.

Item	Record the current wireless network settings
SSID (Network Name)	
Network Key	

* The Network Key may also be described as the Password, Security Key or Encryption Key.

NOTE

If you do not know this information (SSID and Network Key), you cannot continue the wireless setup.

How can I find this information?

- 1) You should see the documentation provided with your wireless access point/router.
- 2) The initial network name could be the manufacturer's name or the model name.
- 3) If you do not know the security information, please consult the router manufacturer, your system administrator or internet provider.

Now go to

page 25



For methods **b** and **c**, start your wireless setup by pressing the Wi-Fi button on the Touchscreen.



b Manual setup from the control panel using the Setup Wizard (Windows[®], Macintosh and mobile devices)

If your wireless access point/router does not support WPS (Wi-Fi Protected Setup™) or AOSS™, write down the wireless network settings of your wireless access point/router in the area below.

Please do not contact Brother Customer Service for assistance without the wireless security information. We cannot assist you in locating your network security settings.

Item	Record the current wireless network settings
SSID (Network Name)	
Network Key	

* The Network Key may also be described as the Password, Security Key or Encryption Key.

NOTE

If you do not know this information (SSID and Network Key), you cannot continue the wireless setup.

How can I find this information?

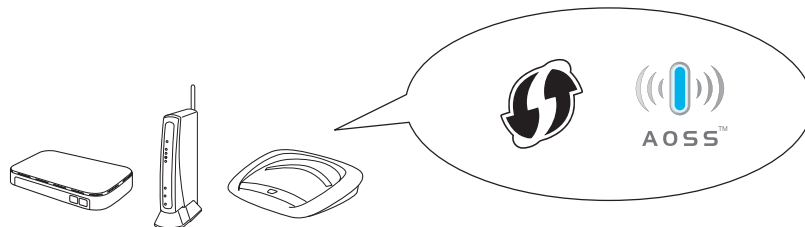
- 1) You should see the documentation provided with your wireless access point/router.
- 2) The initial SSID could be the manufacturer's name or the model name.
- 3) If you do not know the security information, please consult the router manufacturer, your system administrator or internet provider.

Now go to

page 28

c One-push setup using WPS or AOSS™ (Windows[®], Macintosh and mobile devices)

If your wireless access point/router supports automatic wireless (one-push) setup (WPS or AOSS™)



Now go to

page 29



12 Setup using the installation CD-ROM and a USB cable (Windows® and Macintosh)

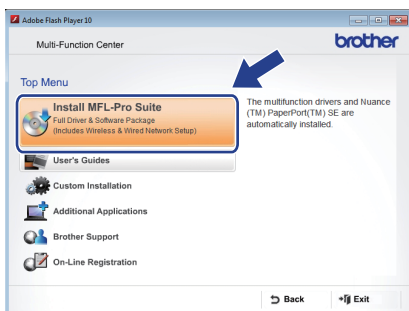
- You need to temporarily use a USB cable during configuration (cable not included).
- These steps are for a Windows® installation. For Macintosh installation, insert the installation CD-ROM into your CD-ROM drive and double-click Start Here OSX to install. Select Wireless installation and follow the Wireless Device Setup instructions on your computer screen.

a Put the supplied installation CD-ROM into your CD-ROM drive. If the model name screen appears, choose your machine. If the language screen appears, choose your language.

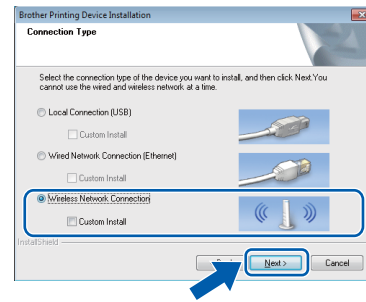
NOTE

- For Windows Vista® and Windows® 7, when the User Account Control screen appears click **Continue** or **Yes**.
- If the Brother screen does not appear automatically, go to **My Computer** or **Computer** then double-click the CD-ROM icon and double-click **start.exe**.

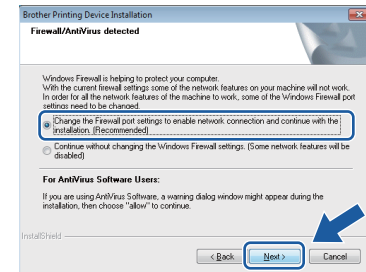
b The CD-ROM Top menu will appear. Click **Install MFL-Pro Suite** and click **Yes** if you accept the license agreements. Follow the on-screen instructions.



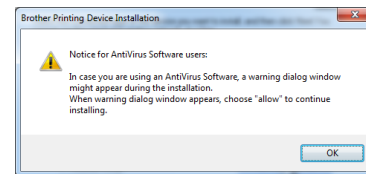
c Choose **Wireless Network Connection**, and then click **Next**.



d When this screen appears, choose **Change the Firewall port settings to enable network connection and continue with the installation. (Recommended)** and click **Next**.



If you are using a firewall other than the Windows® Firewall or the Windows® Firewall is off, this screen may appear.



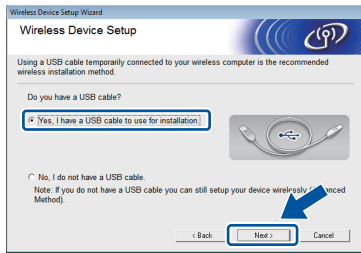
See the instructions provided with your firewall software for information on how to add the following network ports.

- For network scanning, add UDP port 54925.
- If you still have trouble with your network connection, add UDP ports 137 and 161.



For Wireless Network Users

- e** Choose **Yes, I have a USB cable to use for installation.** and then click **Next**.



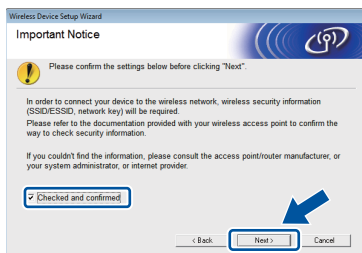
- f** Temporarily connect the USB cable (not included) directly to the computer and the machine.



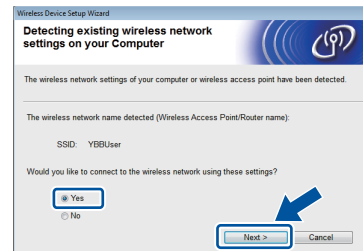
If the confirmation screen appears, check the box and click **Next**, go to **g**. Otherwise, go to **h**.

NOTE

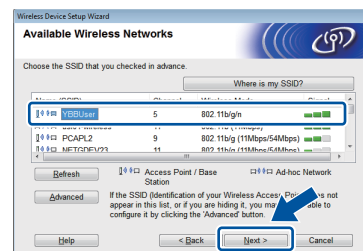
- For instructions on connecting the USB cable to the USB port of your machine, see *Connect the USB cable on page 9*.
- If this screen appears, read the **Important Notice**. Check the box after you confirm the SSID and Network Key, and then click **Next**.



- g** When the following screen appears, check **Yes** if you want to connect to the listed SSID. Click **Next** and go to **j**.

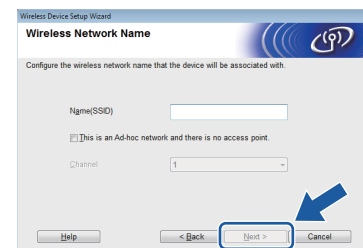


- h** When the following screen appears, the wizard will search for wireless networks available to your machine. Choose the SSID that you wrote down for your network in step **11-a** on page 23, and then click **Next**.



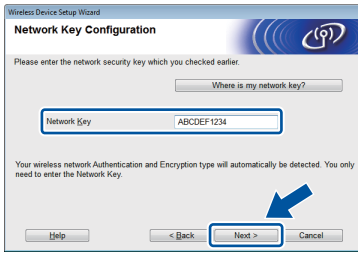
NOTE

- If a list of SSIDs is not displayed, make sure your access point is on and set to broadcast the SSID. Make sure the machine and the access point are within communication range, then click **Refresh**.
- If your access point is set to not broadcast the SSID you can manually add it by clicking the **Advanced** button. Follow the on-screen instructions for entering the **Name (SSID)**, and then click **Next**.





i Enter the **Network Key** you wrote down in step **11-a** on page 23, and then click **Next**.

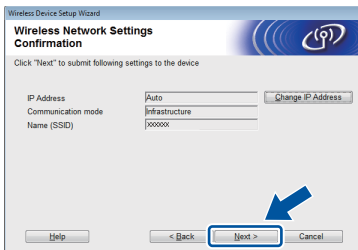


NOTE

If your network is not configured for Authentication and Encryption, the following screen will appear. To continue configuration, click **OK** and go to **j**.



j Click **Next**. The settings will be sent to your machine.



NOTE

- The settings will remain unchanged if you click **Cancel**.
- If you want to manually enter the IP address settings of your machine, click **Change IP Address** and enter the necessary IP address settings for your network.
- If the wireless setup failure screen appears, click **Retry**.

k Disconnect the USB cable between the computer and the machine.



Click **Next** to continue to install MFL-Pro Suite.

OK! Wireless setup is now complete. The **Wi-Fi** button at the upper right of the Touchscreen changes to a four-level indicator that displays the wireless signal strength of your access point/router.

The **Wi-Fi LED** on the control panel lights up, indicating that the machine's Network I/F is set to **WLAN**.

To install MFL-Pro Suite

For Windows® users:

Now go to

Step **14-e** on page 33

For Macintosh users:

Now go to

Step **14-d** on page 35



12 Manual setup from the control panel using the Setup Wizard (Windows®, Macintosh and mobile devices)

a Press . Press Setup Wizard.

When Network I/F switched to Wireless. is displayed, press Yes to accept. This will start the wireless setup wizard. To cancel, press No.

b The machine will search for available SSIDs. It will take several seconds to display a list of available SSIDs. If a list of SSIDs is displayed, press **^** or **v** to choose the SSID you wrote down in step **11-b** on page 24. Select the SSID you want to connect with.

If the wireless access point/router of the selected SSID supports WPS and the machine asks to use WPS, go to **c**. If the machine asks you to enter a Network Key, go to **d**. Otherwise, go to **e**.

NOTE

- If a list of SSIDs is not displayed, make sure your access point is on. Move your machine closer to the access point and try starting from **a** again.
- If your access point is set to not broadcast the SSID, you will have to manually add the SSID name. For details, see the Network User's Guide.

c Press Yes to connect your machine using WPS. (If you choose No to continue manual configuration, go to **d** to enter a Network Key.)

When the Touchscreen indicates you should start WPS, press the WPS button on your wireless access point/router, and then press Next to proceed. Go to **e**.

d Enter the Network Key you wrote down in step **11-b** on page 24 using the Touchscreen. The letters appear in this order: lower case and then upper case. Press to cycle between letters, numbers and special characters. (The characters available may differ depending on your country.) To move the cursor to the right, press **▶**. (For more information, see *Entering Text for Wireless Settings* on page 39.)

Press OK when you have entered all the characters, then press Yes to apply your settings.

e Your machine will now try to connect to your wireless network. It may take a few minutes.

f A connection result message appears for 60 seconds on the Touchscreen and a WLAN report will automatically be printed. If the connection failed, check the error code on the printed report and refer to *Troubleshooting* on page 30.



Wireless setup is now complete. The Wi-Fi button at the upper right of the Touchscreen changes to a four-level indicator that displays the wireless signal strength of your access point/router.

The Wi-Fi LED on the control panel lights up, indicating that the machine's Network I/F is set to WLAN.

NOTE

For Mobile Device users, please go to the User's Guide for the application you are using (Ex. AirPrint, Brother iPrint&Scan or other applications) for additional details on how to use your machine with the application. To download the User's Guide for the application you are using, please go to the manuals download selection on your model's home page of the Brother Solutions Center at <http://solutions.brother.com/>.

To install MFL-Pro Suite, continue to step 13.

For Windows® users:

Now go to

Page 32

For Macintosh users:

Now go to

Page 35



12 One-push setup using WPS or AOSS™ (Windows®, Macintosh and mobile devices)

- a Confirm your wireless access point/router has the WPS or AOSS™ symbol as shown below.



- b Place the Brother machine within range of your WPS or AOSS™ access point/router. The range may differ depending on your environment. Refer to the instructions provided with your access point/router.

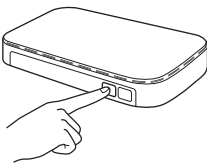
- c Press .
Press or to display WPS/AOSS.
Press WPS/AOSS.

When Network I/F switched to Wireless. is displayed, press Yes to accept. This will start the wireless setup wizard. To cancel, press No.

NOTE

If your wireless access point/router supports WPS (PIN Method), you can also configure your machine using the PIN (Personal Identification Number) Method. >>Network User's Guide: Configuration using the PIN Method of WPS (Wi-Fi Protected Setup)

- d When the Touchscreen indicates you should start WPS or AOSS™, press the WPS or AOSS™ button on your wireless access point/router. See the user's guide of your wireless access point/router for instructions.



Then press OK and your machine will now automatically detect which mode (WPS or AOSS™) your wireless access point/router uses and try to connect to your wireless network.

- e A connection result message appears for 60 seconds on the Touchscreen and a WLAN report will automatically be printed. If the connection failed, check the error code on the printed report and refer to *Troubleshooting* on page 30.

OK! Wireless setup is now complete. The Wi-Fi button at the upper right of the Touchscreen changes to a four-level indicator that displays the wireless signal strength of your access point/router.

The Wi-Fi LED on the control panel lights up, indicating that the machine's Network I/F is set to WLAN.

NOTE

For Mobile Device users, please go to the User's Guide for the application you are using (Ex. AirPrint, Brother iPrint&Scan or other applications) for additional details on how to use your machine with the application. To download the User's Guide for the application you are using, please go to the manuals download selection on your model's home page of the Brother Solutions Center at <http://solutions.brother.com/>.

To install MFL-Pro Suite, continue to step 13.

For Windows® users:

Now go to
Page 32

For Macintosh users:

Now go to
Page 35



Troubleshooting

Please do not contact Brother Customer Service for assistance without the wireless security information. We cannot assist you in locating your network security settings.


How can I find the wireless security information (SSID and Network Key)

- 1) You should see the documentation provided with your wireless access point/router.
- 2) The initial SSID could be the manufacturer's name or the model name.
- 3) If you do not know the security information, please consult the router manufacturer, your system administrator or internet provider.

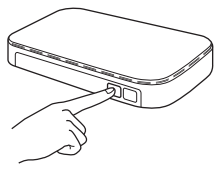
* The Network Key may also be described as the Password, Security Key or Encryption Key.

Wireless LAN report

If the wireless LAN report that printed shows that the connection failed, check the error code on the printed report and refer to the following instructions.

Error code	Recommended Solutions
TS-01	<p>The wireless setting is not activated, turn the wireless setting to ON.</p> <ul style="list-style-type: none"> - If a network cable is connected to your machine, disconnect it and turn the wireless setting of your machine to ON. <p>On your machine, press <i>Settings</i>. Press ▲ or ▼ to display <i>Network</i>, and then press <i>Network</i>. Press ▲ or ▼ to display <i>Network I/F</i>, and then press <i>Network I/F</i>. Press <i>WLAN</i>. Press .</p>
TS-02	<p>The wireless access point/router cannot be detected.</p> <ol style="list-style-type: none"> 1. Check the following 4 points. <ul style="list-style-type: none"> - Make sure that the wireless access point/router is powered on. - Move your machine to an obstruction-free area, or closer to the wireless access point/router. - Temporarily place your machine within about one metre from the wireless access point when you are configuring the wireless settings. - If your wireless access point/router is using MAC address filtering, confirm the MAC address of the Brother machine is allowed in the filter. 2. If you manually entered the SSID and security information (SSID/authentication method/encryption method/Network Key), the information may be incorrect. Reconfirm the SSID and security information and re-enter the correct information as necessary. <p>See <i>How can I find the wireless security information (SSID and Network Key)</i> on page 30 to confirm.</p>



<p>TS-04</p>	<p>The Authentication/Encryption methods used by the selected wireless access point/router are not supported by your machine.</p> <p>For infrastructure mode, change the authentication and encryption methods of the wireless access point/router. Your machine supports the following authentication methods:</p> <table border="1" data-bbox="331 392 1093 660"> <thead> <tr> <th>authentication method</th> <th>encryption method</th> </tr> </thead> <tbody> <tr> <td rowspan="2">WPA-Personal</td> <td>TKIP</td> </tr> <tr> <td>AES</td> </tr> <tr> <td>WPA2-Personal</td> <td>AES</td> </tr> <tr> <td rowspan="2">Open</td> <td>WEP</td> </tr> <tr> <td>None (without encryption)</td> </tr> <tr> <td>Shared key</td> <td>WEP</td> </tr> </tbody> </table> <p>If your problem is not solved, the SSID or network settings you entered may be incorrect. Reconfirm the wireless network settings.</p> <p>See <i>How can I find the wireless security information (SSID and Network Key)</i> on page 30 to confirm.</p> <p>For ad-hoc mode, change the authentication and encryption methods of your computer for the wireless setting. Your machine supports Open authentication method only, with optional WEP encryption.</p>	authentication method	encryption method	WPA-Personal	TKIP	AES	WPA2-Personal	AES	Open	WEP	None (without encryption)	Shared key	WEP
authentication method	encryption method												
WPA-Personal	TKIP												
	AES												
WPA2-Personal	AES												
Open	WEP												
	None (without encryption)												
Shared key	WEP												
<p>TS-05</p>	<p>The security information (SSID/Network Key) is incorrect. Reconfirm the SSID and security information (Network Key). If your router uses WEP encryption, enter the key used as the first WEP key. Your Brother machine supports the use of the first WEP key only.</p> <p>See <i>How can I find the wireless security information (SSID and Network Key)</i> on page 30 to confirm.</p>												
<p>TS-06</p>	<p>The wireless security information (Authentication method/Encryption method/Network Key) is incorrect. Reconfirm the wireless security information (Authentication method/Encryption method/Network Key) in the table of TS-04. If your router uses WEP encryption, enter the key used as the first WEP key. Your Brother machine supports the use of the first WEP key only.</p> <p>See <i>How can I find the wireless security information (SSID and Network Key)</i> on page 30 to confirm.</p>												
<p>TS-07</p>	<p>The machine cannot detect a wireless access point/router that has WPS or AOSS™ enabled.</p> <p>If you would like to configure your wireless settings using WPS or AOSS™, you must operate both your machine and the wireless access point/router. Confirm your wireless access point/router supports WPS or AOSS™ and try starting again.</p> <p>If you do not know how to operate your wireless access point/router using WPS or AOSS™ see the documentation provided with your wireless access point/router, ask the manufacturer of your wireless access point/router or ask your network administrator.</p> 												
<p>TS-08</p>	<p>Two or more wireless access points that have WPS or AOSS™ enabled are detected.</p> <ul style="list-style-type: none"> - Confirm that only one wireless access point/router within range has the WPS or AOSS™ method active and try again. - Try starting again after a few minutes in order to avoid interference from other access points. 												



Install the drivers & software

(Windows® XP Home/XP Professional/Windows Vista®/Windows® 7)

13 Before you install

Make sure that your computer is ON and you are logged on with Administrator rights.

IMPORTANT

If there are any programs running, close them.

NOTE

- The screens may differ depending on your operating system.
- The CD-ROM includes Nuance™ PaperPort™ 12SE. This software supports Windows® XP Home (SP3 or greater), XP Professional (SP3 or greater), XP Professional x64 Edition (SP2 or greater), Windows Vista® (SP2 or greater) and Windows® 7. Update to the latest Windows® Service Pack before installing MFL-Pro Suite.

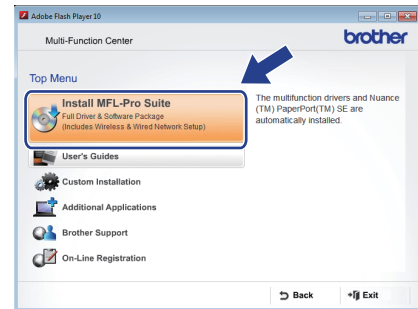
14 Install MFL-Pro Suite

a Put the supplied installation CD-ROM into your CD-ROM drive. If the model name screen appears, choose your machine. If the language screen appears, choose your language.

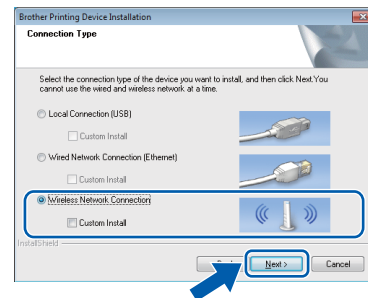
NOTE

- For Windows Vista® and Windows® 7, when the User Account Control screen appears click **Continue** or **Yes**.
- If the Brother screen does not appear automatically, go to **My Computer** or **Computer** then double-click the CD-ROM icon and double-click **start.exe**.

b The CD-ROM Top menu will appear. Click **Install MFL-Pro Suite** and click **Yes** if you accept the license agreements. Follow the on-screen instructions.

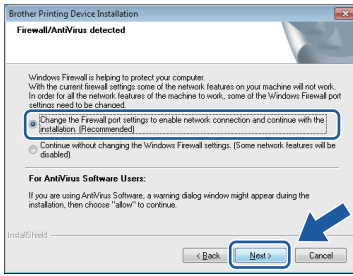


c Choose **Wireless Network Connection**, and then click **Next**.

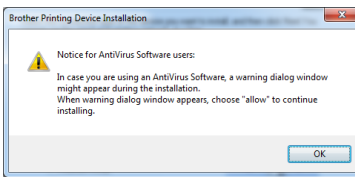




- d** When this screen appears, choose **Change the Firewall port settings to enable network connection and continue with the installation. (Recommended)** and click **Next**.



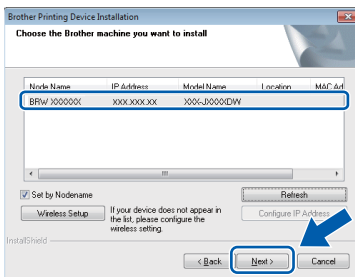
If you are using a firewall other than the Windows® Firewall or the Windows® Firewall is off, this screen may appear.



See the instructions provided with your firewall software for information on how to add the following network ports.

- For network scanning, add UDP port 54925.
- If you still have trouble with your network connection, add UDP ports 137 and 161.

- e** Choose your machine from the list, and then click **Next**.



NOTE

- If your machine is not found over the network, confirm your settings by following the on-screen instructions. If you encounter this failure, go to step **11-b** on page 24 and setup the wireless connection again.
- If you are using WEP and the Touchscreen displayed *Connected* but your machine is not found on the network, make sure you entered the WEP key correctly. The WEP key is case sensitive.

- f** The installation of the Brother drivers will automatically start. The installation screens appear one after another.

IMPORTANT

DO NOT cancel any of the screens during the installation. It may take a few seconds for all screens to appear.

NOTE

*For Windows Vista® and Windows® 7, when the Windows® Security screen appears, click the check box and click **Install** to complete the installation correctly.*

- g** If **Environmental Advice for Imaging Equipment** screen appears, click **Next**.

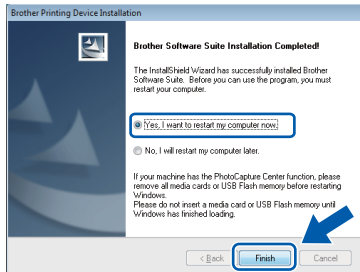
- h** When the **On-Line Registration** screen is displayed, follow the on-screen instructions. Click **Next**.

- i** If you do not want to set your machine as the default printer, uncheck **Set as Default Printer** and click **Next**.




15 Finish and restart

- a Click **Finish** to restart your computer. After restarting the computer, you must log on with Administrator rights.



NOTE

- If an error message appears during the software installation, run the **Installation Diagnostics** located in  **Start/All Programs/Brother/DCP-JXXX** (where DCP-JXXX is your model name).
- Depending on your security settings, a Windows® Security or antivirus software window may appear when using the machine or its software. Please allow or permit the window to continue.

- b The following screens will appear.
 - When the **Software Update Setting** screen appears, choose the software update setting you want and click **OK**.
 - When the Brother Product Research and Support Program screen appears, select your preference and follow the on-screen instructions.

NOTE

Internet access is required for the software update and the Brother Product Research & Support Program.

16 Install MFL-Pro Suite on additional computers (if needed)

If you want to use your machine with multiple computers on the network, install MFL-Pro Suite on each computer. Go to step **13** on page 32.

NOTE

Network license (Windows®)

This product includes a PC license for up to 2 users. This license supports the installation of the MFL-Pro Suite including Nuance™ PaperPort™ 12SE on up to 2 PCs on the network. If you want to use more than 2 PCs with Nuance™ PaperPort™ 12SE installed, please purchase the Brother NL-5 pack which is a multiple PC license agreement pack for up to 5 additional users. To purchase the NL-5 pack, contact Brother customer service or your local Brother dealer.



The installation is now complete.

To install optional applications:



Page 38

NOTE

XML Paper Specification Printer Driver

The XML Paper Specification Printer Driver is the most suitable driver for Windows Vista® and Windows® 7 when printing from applications that use the XML Paper Specification documents. Please download the latest driver by accessing the Brother Solutions Center at <http://solutions.brother.com/>.



Install the drivers & software (Mac OS X v10.5.8, 10.6.x, 10.7.x)

13 Before you install

Make sure your machine is connected to the power and your Macintosh is ON. You must be logged on with Administrator rights.

NOTE

For Mac OS X v10.5.0 to 10.5.7 users, upgrade to Mac OS X v10.5.8 - 10.7.x.

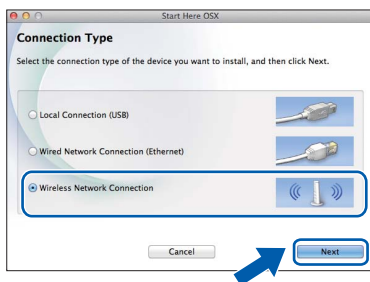
14 Install MFL-Pro Suite

a Put the supplied installation CD-ROM into your CD-ROM drive.

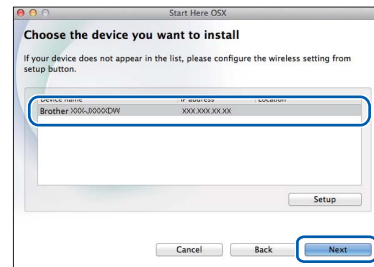
b Double-click the **Start Here OSX** icon to install. If the model name screen appears, choose your machine.



c Choose **Wireless Network Connection**, and then click **Next**.



d Choose your machine from the list, and then click **Next**.

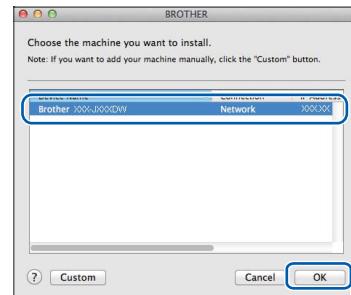


NOTE

If your wireless settings fail, the **Wireless Device Setup Wizard** screen appears. Follow the on-screen instructions to complete the wireless configuration.



e Choose your machine from the list, and then click **OK**.

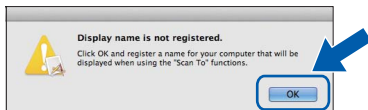




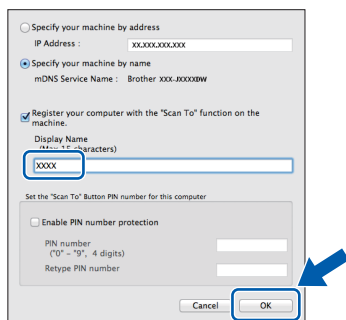
f The installation of the Brother drivers will automatically start. Please wait for the software to install.

NOTE

- You can find your machine's MAC Address (Ethernet Address) and IP Address by printing out the Network Configuration Report.
 >>Network User's Guide: Printing the Network Configuration Report
- If this screen appears, click **OK**.



Enter a name for your Macintosh up to 15 characters long.



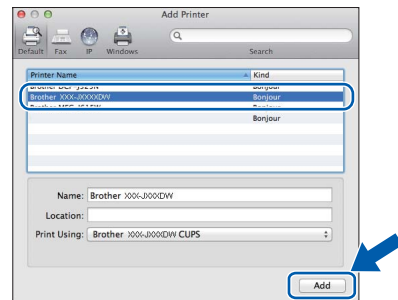
If you want to use the scan feature directly from your machine to scan over the network, you must check the **Register your computer with the "Scan To" function on the machine box**. Click **OK**. Go to **g**.

The name you enter will appear on the machine's Touchscreen when you press *Scan* and choose a scan option. (>> Software User's Guide: Network Scanning)

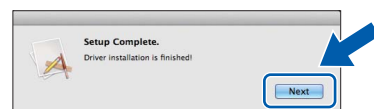
g When this screen appears, click **Add Printer**.



Choose your machine from the list. Click **Add** and then click **Next**.



h When this screen appears, click **Next**.



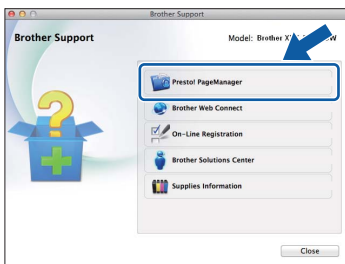
OK! The installation of MFL-Pro Suite is now complete. Go to step **15**.



15 Download and install Presto! PageManager

When Presto! PageManager is installed, OCR capability is added to Brother ControlCenter2. You can easily scan, share and organize photos and documents using Presto! PageManager.

- a On the **Brother Support** screen, click the **Presto! PageManager** to go to the Presto! PageManager download site, and follow the on-screen instructions.



16 Install MFL-Pro Suite on additional computers (if needed)

If you want to use your machine with multiple computers on the network, install MFL-Pro Suite on each computer. Go to step **13** on page 35.

Finish

The installation is now complete.

1 Install optional applications

FaceFilter Studio and BookScan & Whiteboard Suite supported by Reallusion, Inc

FaceFilter Studio is an easy-to-use borderless photo printing application.

The **BookScan Enhancer** software can correct your scanned book images automatically.

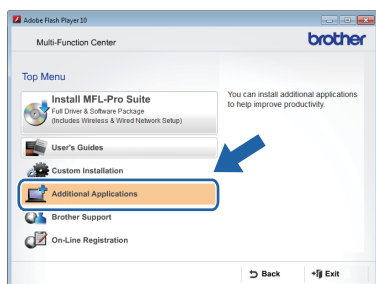
The **Whiteboard Enhancer** software cleans up and enhances text and images from photos taken of your whiteboard.

NOTE

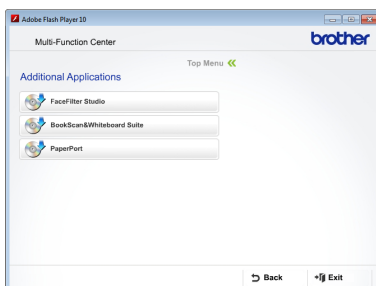
- The machine must be ON and connected to the computer.
- Some applications require Internet access.
- Make sure you are logged on with Administrator rights.
- This application is not available for Windows Server® 2003/2008 series.

a Open the top menu again by ejecting and then reinserting the CD-ROM or by double-clicking the **start.exe** program from the root folder.

b The CD-ROM Top menu will appear. Choose your language and then click **Additional Applications**.




c Click the button for the application you want to install.



d Go back to the **Additional Applications** screen to install more applications.


2 Install FaceFilter Studio Help

To get instructions on how to use FaceFilter Studio, download and install FaceFilter Studio Help.

a To run FaceFilter Studio, go to  **Start/All Programs/Reallusion/FaceFilter Studio** on your computer.

b Click **Check for Updates** on the screen.

NOTE

You can also go to the Reallusion update web page by clicking the  button in the upper right corner of this screen.



c Click the **Download** button and choose a folder to save the file in.

d Close FaceFilter Studio before you start the installer for FaceFilter Studio Help. Double-click the downloaded file from the folder you specified and follow the on-screen instructions for installation.

NOTE

To view the complete FaceFilter Studio Help, go to  **Start/All Programs/Reallusion/FaceFilter Studio/FaceFilter Studio Help** on your computer.


Reset the network settings to factory default

To restore all network settings of the internal Print/Scan server to the factory default, please follow the steps below.

- a** Make sure the machine is idle, then disconnect all the cables from the machine (except the power cord).
- b** Press `Settings`.
- c** Press `^` or `v` to display `Network`, and then press `Network`.
- d** Press `^` or `v` to display `Network Reset`, and then press `Network Reset`.
- e** Press `Yes`.
- f** Hold down `Yes` for 2 seconds to confirm.
- g** The machine will restart, re-connect the cables once this is complete.




Entering Text for Wireless Settings

Up to four letters are assigned to each letter button on the Touchscreen. By pressing the correct button repeatedly, you can access the character you want.


Press  to cycle between letters, numbers and special characters. (The characters available may differ depending on your country.)




Inserting spaces

To enter a space, press  then press the space button  or .

Repeating characters

If you need to enter a character that is on the same button as the character before, press  to move the cursor to the right.


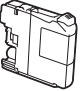
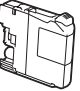
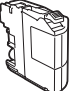
Making corrections

If you entered a character incorrectly and want to change it, press  to delete it and re-enter the correct character.

Replacement consumables

When the time comes to replace ink cartridges, an error message will be indicated on the Touchscreen. For more information about the ink cartridges for your machine, visit <http://www.brother.com/original/> or contact your local Brother re-seller.

Ink cartridge

Magenta	Cyan	Yellow	Black
LC123M (High Yield) LC125XLM (Super High Yield)	LC123C (High Yield) LC125XLC (Super High Yield)	LC123Y (High Yield) LC125XLY (Super High Yield)	LC123BK (High Yield) LC127XLBK (Super High Yield)
			

What is Innobella™?

Innobella™ is a range of genuine consumables offered by Brother.

The name “Innobella™” derives from the words “Innovation” and “Bella” (meaning “Beautiful” in Italian) and is a representation of the “innovative” technology providing you with “beautiful” and “long lasting” print results.



Trademarks

The Brother logo is a registered trademark of Brother Industries, Ltd.

Brother is a trademark of Brother Industries, Ltd.

Windows, Windows Vista and Windows Server are either registered trademarks or trademarks of Microsoft Corporation in the United States and/or other countries.

Macintosh and Mac OS are trademarks of Apple Inc., registered in the United States and other countries.

Nuance, the Nuance logo, PaperPort and ScanSoft are trademarks or registered trademarks of Nuance Communications, Inc. or its affiliates in the United States and/or other countries.

FaceFilter Studio is a trademark of Reallusion, Inc.

AOSS is a trademark of Buffalo Inc.

Wi-Fi and Wi-Fi Protected Access (WPA) are registered trademarks of the Wi-Fi Alliance.

Wi-Fi Protected Setup and Wi-Fi Protected Access 2 (WPA2) are trademarks of the Wi-Fi Alliance.

Each company whose software title is mentioned in this manual has a Software License Agreement specific to its proprietary programs.

Any trade names and product names of companies appearing on Brother products, related documents and any other materials are all trademarks or registered trademarks of those respective companies.

Compilation and Publication

Under the supervision of Brother Industries, Ltd., this manual has been compiled and published, covering the latest product descriptions and specifications.

The contents of this manual and the specifications of this product are subject to change without notice.

Brother reserves the right to make changes without notice in the specifications and materials contained herein and shall not be responsible for any damages (including consequential) caused by reliance on the materials presented, including but not limited to typographical and other errors relating to the publication.

Copyright and License

©2012 Brother Industries, Ltd. All rights reserved.

This product includes software developed by the following vendors:

©1983-1998 PACIFIC SOFTWARES, INC. ALL RIGHTS RESERVED.

©2008 Devicescape Software, Inc. All rights reserved.

This product includes the “KASAGO TCP/IP” software developed by ZUKEN ELMIC, Inc.



Get inspired. If you're using Windows®, double-click the Brother CreativeCenter icon on your desktop to access our FREE website with many ideas and resources for personal and professional use.

Mac users can access Brother CreativeCenter at this web address: <http://www.brother.com/creativecenter/>



www.brotherearth.com