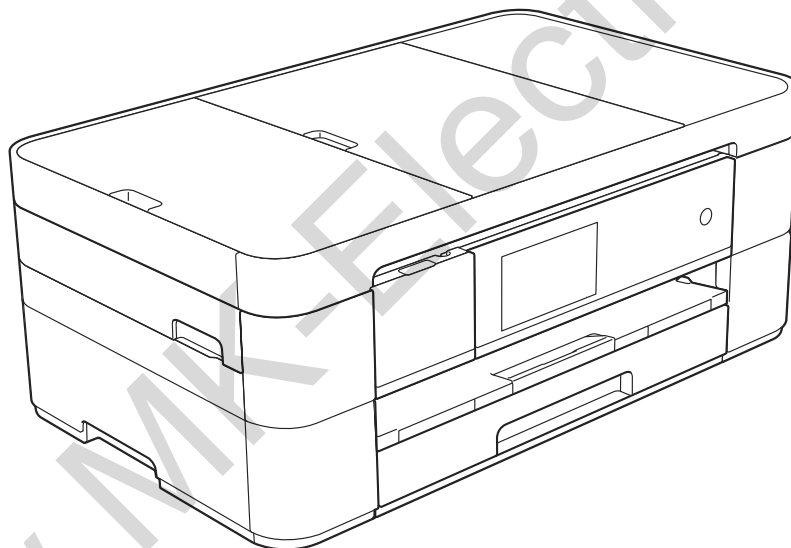




Inkjet MFC

PARTS REFERENCE LIST

**MODELS: DCP-J4120DW
MFC-J4320DW/J4420DW/
J4620DW/J4625DW**



Read this list thoroughly before maintenance work.

Keep this list in a convenient place for quick and easy reference at all times.

NOTE FOR USING THIS PARTS REFERENCE LIST

1. In the case of ordering parts, it is necessary to mention the following items;

- (1) Code
- (2) Q'ty
- (3) Description

Note: Orders without Parts Code or Tool No. cannot be accepted.

< Example >

| | (1) CODE | (2) Q'TY | (3) DESCRIPTION | |
|---------|-------------|-------------|--------------------|--------|
| REF.NO. | CODE | Q'TY | DESCRIPTION | REMARK |
| | | | | |

2. Design-changed parts :

If any of the parts code is changed in this Parts List, one of the following symbols is indicated in the REMARK column

- CHG(chg) : The parts code is changed to a new one in this Parts List.
- ADD(add) : The parts code is newly added in this Parts List.
- DEL(del) : The parts code is deleted in this Parts List.

Symbol in capital letters indicates the latest parts change information in the page.

- 3. Parts change will be informed by the Parts change information.
- 4. Parts are subject to change in design without prior notice.

COUNTRIES AND AREAS

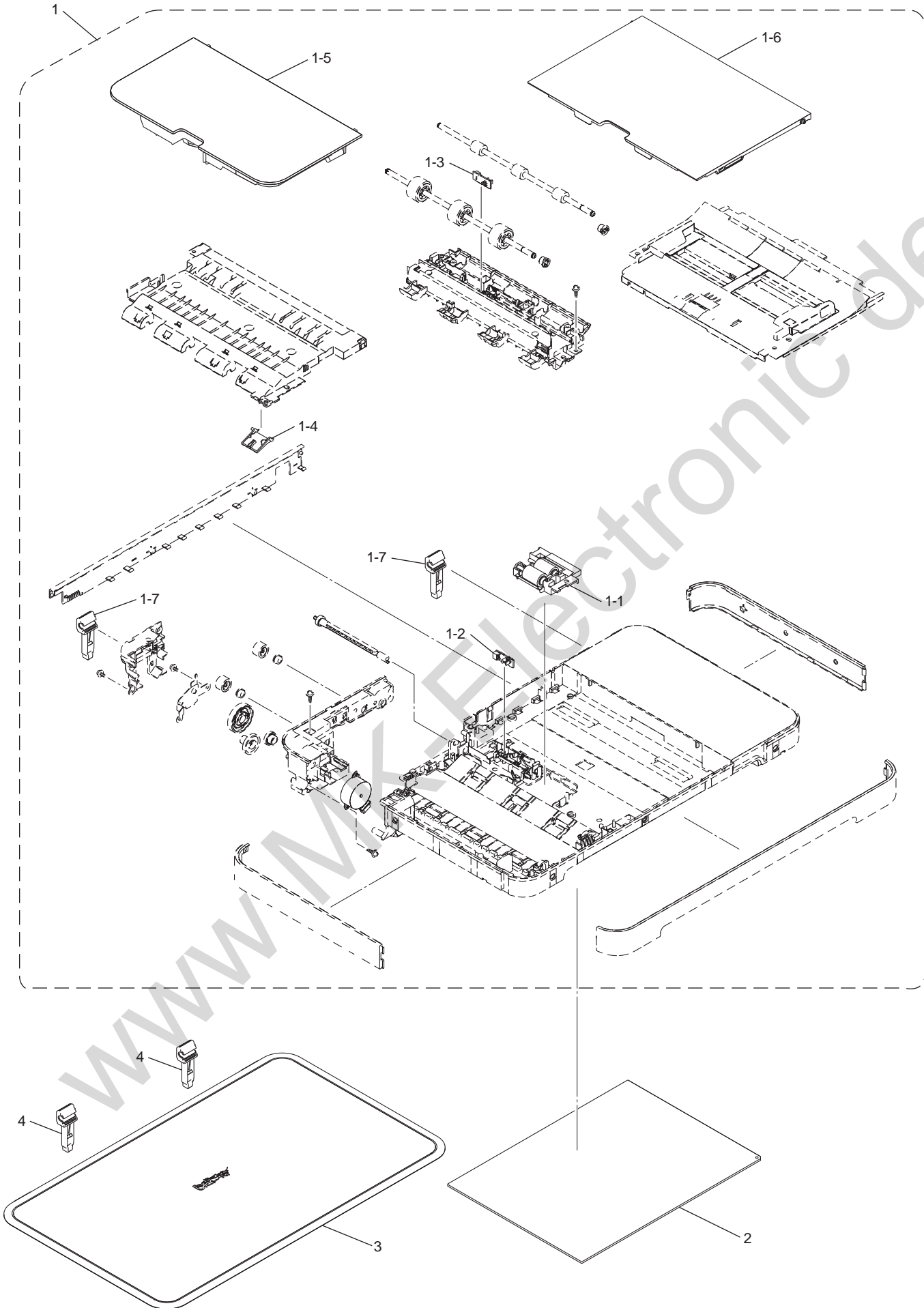
- | | |
|-------------------------|--|
| US ----- U.S.A. | OCE ----- OCEANIA(AUSTRALIA/NEW ZEALAND) |
| CAN ----- CANADA | PND ----- PAN-NORDIC |
| GER ----- GERMANY | (NORWAY/FINLAND/DENMARK/SWEDEN) |
| UK ----- UNITED KINGDOM | IBR ----- IBERIA(SPAIN/PORTUGUESE) |
| FRA ----- FRANCE | CEE ----- CEE GENERAL |
| BEL ----- BELGIUM | |
| NLD ----- NETHERLANDS | |
| CHE ----- SWITZERLAND | |
| ITA ----- ITALY | |
| ISR ----- ISRAEL | |
| ARG ----- ARGENTINA | |
| CHL ----- CHILE | |
| BRA ----- BRAZIL | |

CONTENTS

| | | |
|-----|--|----|
| 1. | <u>ADF & DOCUMENT COVER ASSY</u> | 1 |
| 2. | <u>DOCUMENT SCANNER</u> | 3 |
| 3. | <u>CARTRIDGE CASE</u> | 5 |
| 4. | <u>ENGINE</u> | 7 |
| 5. | <u>HEAD</u> | 9 |
| 6. | <u>PAPER TRAY</u> | 11 |
| 7. | <u>COVERS & LABELS</u> | 13 |
| 8. | <u>PANEL</u> | 15 |
| 9. | <u>PCB</u> | 17 |
| 10. | <u>ACCESSORIES</u> | 19 |
| 11. | <u>PRINTED MATERIALS</u> | 21 |
| 12. | <u>PACKING MATERIALS</u> | 24 |
| 13. | <u>OTHERS</u> | 26 |

www MK-Electronic.de

1. ADF & DOCUMENT COVER ASSY

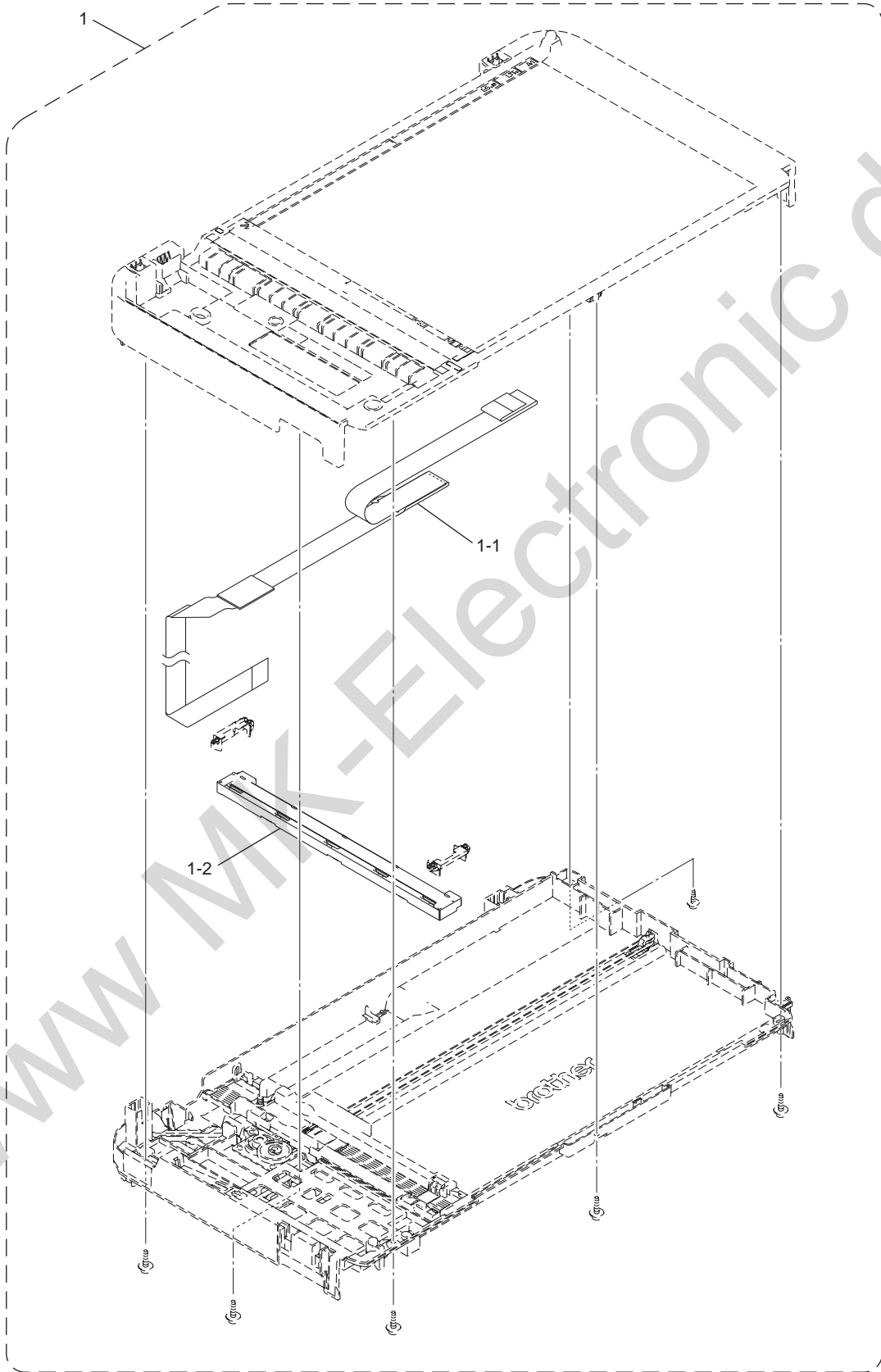
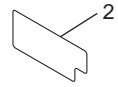


1. ADF & DOCUMENT COVER ASSY

| REF No. | CODE | Q'TY | DESCRIPTION | REMARKS |
|---------|-----------|------|--|---------|
| 1 | LET449001 | 1 | ADF UNIT (SP), MFC-J4420DW/J4620DW/J4625DW | |
| 1-1 | LED879001 | 1 | DOCUMENT SEPARATE ROLLER ASSY, MFC-J4420DW/J4620DW/J4625DW | |
| 1-2 | LG6753001 | 1 | DOCUMENT DETECTION SENSOR PCB, MFC-J4420DW/J4620DW/J4625DW | |
| 1-3 | LG6753001 | 1 | DOCUMENT SCANNING POSITION SENSOR PCB, MFC-J4420DW/J4620DW/J4625DW | |
| 1-4 | LEG873001 | 1 | ADF SEPARATION PAD HOLDER, MFC-J4420DW/J4620DW/J4625DW | |
| 1-5 | LER110001 | 1 | ADF COVER ASSY, MFC-J4420DW/J4620DW/J4625DW | |
| 1-6 | LER116007 | 1 | ADF DOCUMENT SUPPORT, MFC-J4420DW/J4620DW/J4625DW | |
| 1-7 | LET322022 | 2 | ADF HINGE, MFC-J4420DW/J4620DW/J4625DW | |
| 2 | LEK751001 | 1 | DOCUMENT SPONGE (SP), MFC-J4420DW/J4620DW/J4625DW | ADD |
| 3 | LEU683001 | 1 | DOCUMENT COVER ASSY (SP), DCP-J4120DW, MFC-J4320DW | |
| 4 | LEG145007 | 2 | HINGE ARM, DCP-J4120DW, MFC-J4320DW | |

www MK-Electronic de

2. DOCUMENT SCANNER

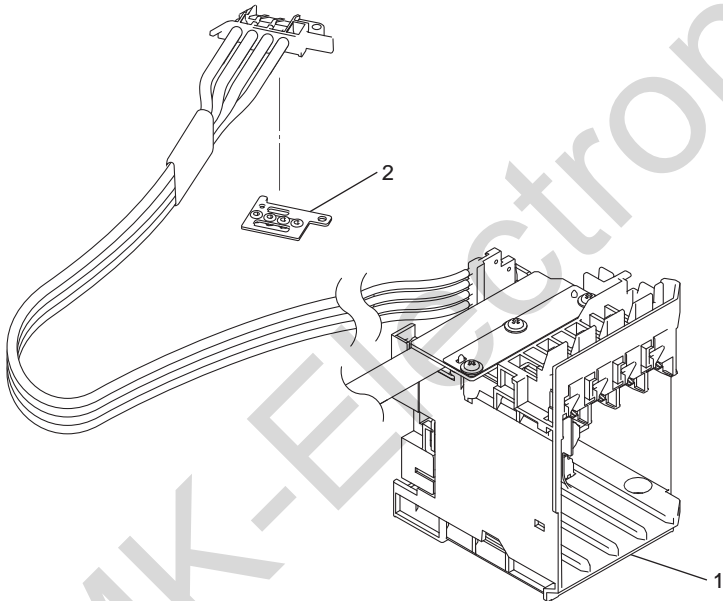


2. DOCUMENT SCANNER

| REF No. | CODE | Q'TY | DESCRIPTION | REMARKS |
|---------|-----------|------|---|---------|
| 1 | LEU682001 | 1 | DOCUMENT SCANNER UNIT (SP), DCP-J4120DW, MFC-J4320DW | |
| 1 | LET451001 | 1 | DOCUMENT SCANNER UNIT (SP), MFC-J4420DW | |
| 1 | LET450001 | 1 | DOCUMENT SCANNER UNIT (SP), MFC-J4620DW/J4625DW | |
| 1-1 | LT3156001 | 1 | FIRST SIDE CIS FLAT CABLE, DCP-J4120DW, MFC-J4320DW/J4420DW | |
| 1-1 | LT2157001 | 1 | FIRST SIDE CIS FLAT CABLE, MFC-J4620DW/J4625DW | |
| 1-2 | LT2868001 | 1 | FIRST SIDE CIS UNIT, DCP-J4120DW, MFC-J4320DW/J4420DW | |
| 1-2 | LT3422001 | 1 | FIRST SIDE CIS UNIT, MFC-J4620DW/J4625DW | |
| 2 | LER883001 | 1 | USER ACCESS PORT LABEL, DCP-J4120DW | |
| 2 | LER762001 | 1 | USER ACCESS PORT LABEL, MFC-J4320DW/J4420DW | |
| 2 | LER203001 | 1 | USER ACCESS PORT LABEL, MFC-J4620DW/J4625DW | |

www MK-Electronic de

3. CARTRIDGE CASE



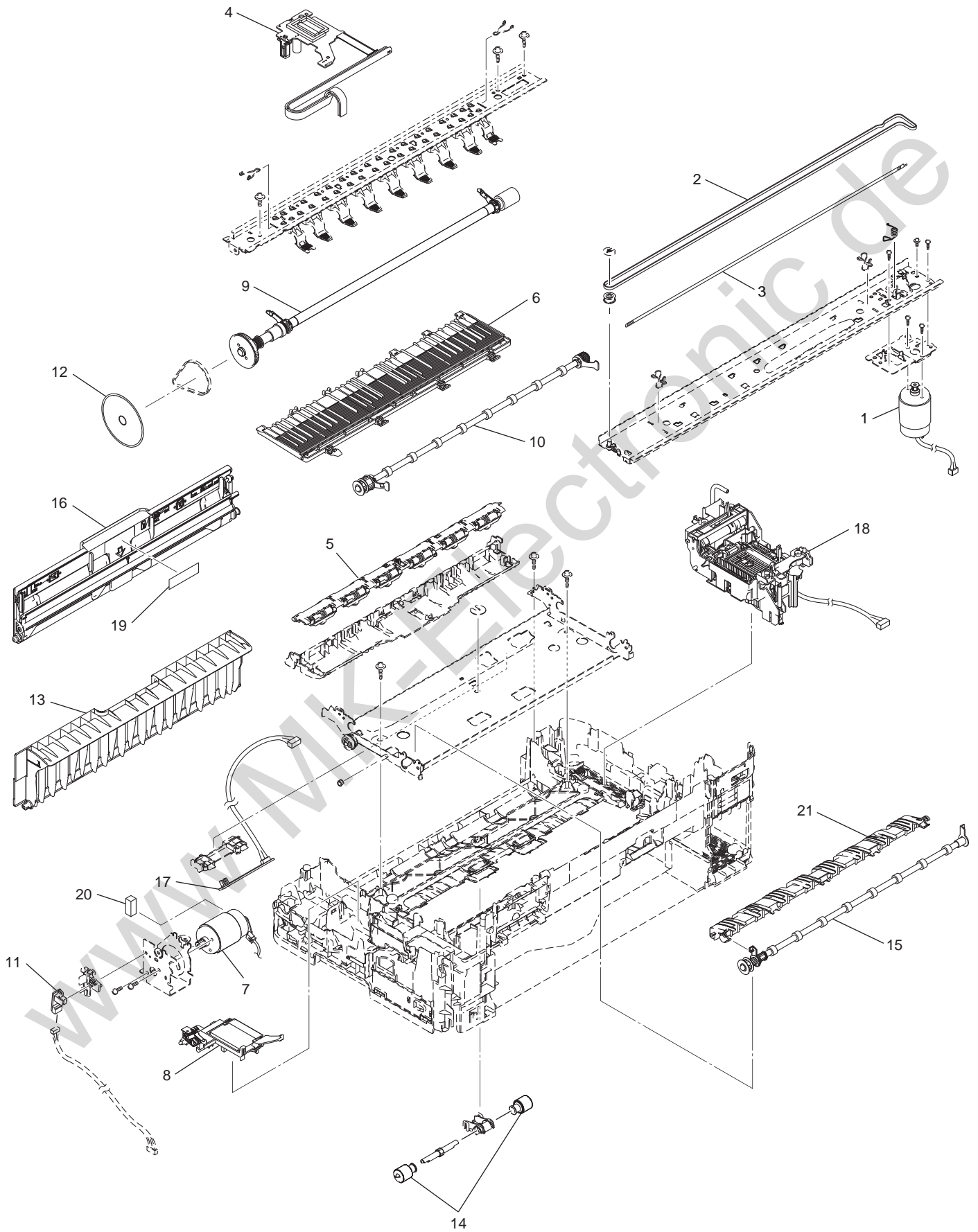
www MK-Electronic.de

3. CARTRIDGE CASE

| REF No. | CODE | Q'TY | DESCRIPTION | REMARKS |
|---------|-----------|------|------------------------|---------|
| 1 | LET453001 | 1 | INK REFILL ASSY (SP) | |
| 2 | LEE059001 | 1 | HEAD JOINT RUBBER (SP) | |

www MK-Electronic de

4. ENGINE

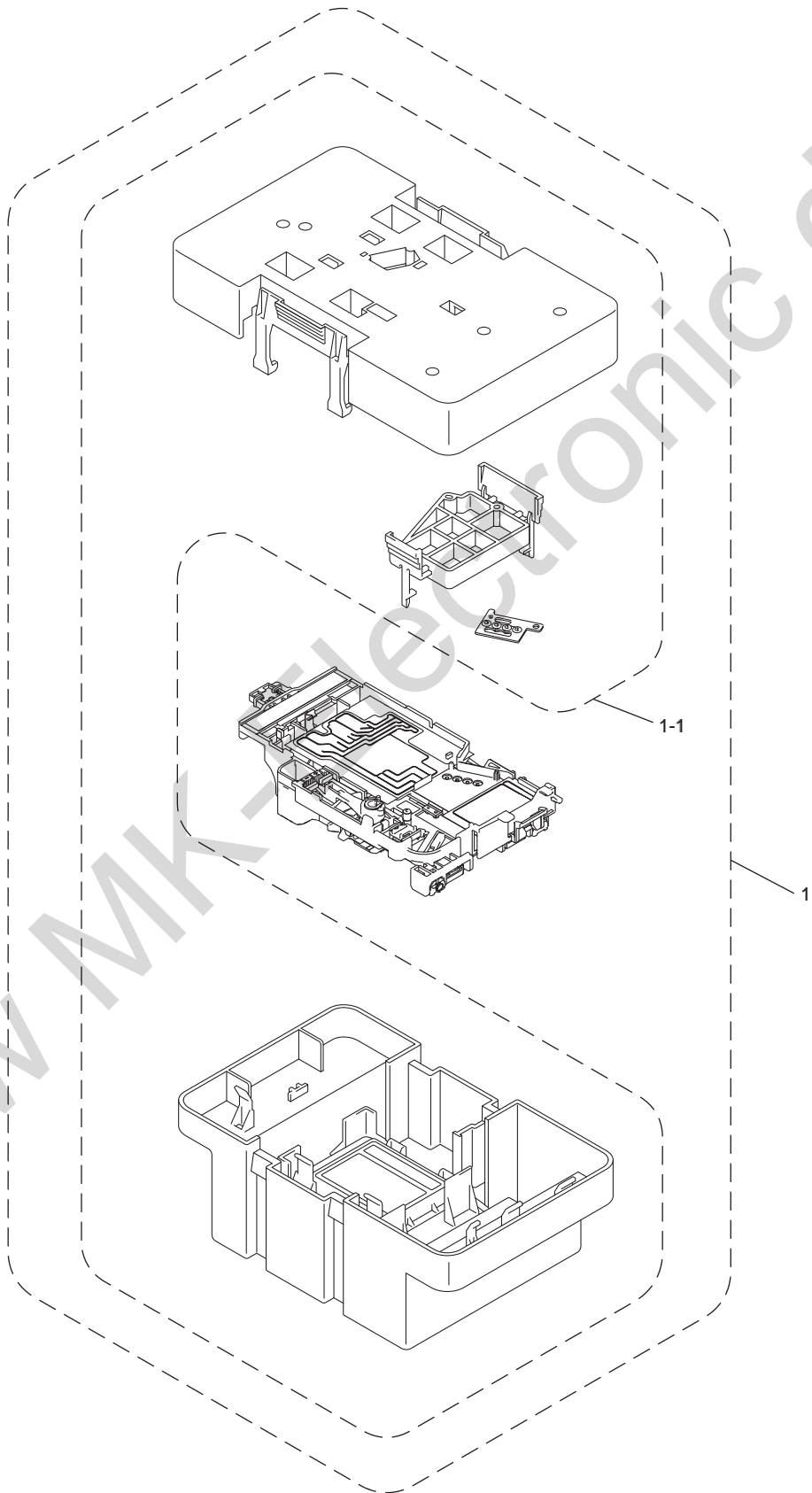


4. ENGINE

| REF No. | CODE | Q'TY | DESCRIPTION | REMARKS |
|---------|-----------|------|------------------------------|---------|
| 1 | LER233001 | 1 | CARRIAGE MOTOR ASSY | |
| 2 | LED137001 | 1 | CR TIMING BELT | |
| 3 | LEX213001 | 1 | CR ENCODER STRIP | chg |
| 4 | LET452001 | 1 | CARRIAGE PCB ASSY (SP) | |
| 5 | LED374001 | 1 | INNER CHUTE ASSY | |
| 6 | LED382001 | 1 | PLATEN | |
| 7 | LET580001 | 1 | PAPER FEED MOTOR | |
| 8 | LED391001 | 1 | FLUSHING BASE | |
| 9 | LET454001 | 1 | PAPER FEED ROLLER (SP) | |
| 10 | LED409001 | 1 | PAPER EJECTION ROLLER | |
| 11 | LT1509002 | 1 | PF ENCODER PCB ASSY | |
| 12 | LEX232001 | 1 | PF ENCODER DISK | chg |
| 13 | LER124022 | 1 | JAM CLEAR COVER | |
| 14 | LEL245001 | 2 | PAPER PULL-IN ROLLER | |
| 15 | LED350001 | 1 | SWITCHBACK ROLLER | |
| 16 | LED361002 | 1 | MANUAL FEED SLOT COVER ASSY | |
| 17 | LT2189001 | 1 | REGISTRATION SENSOR PCB ASSY | |
| 18 | LEG557001 | 1 | MAINTENANCE UNIT (SP) | |
| 19 | LEU510001 | 1 | MANUAL FEED SLOT LABEL | |
| 20 | LT3526001 | 1 | PAPER FEED MOTOR GASKET | |
| 21 | LED356001 | 1 | SWITCHBACK OUTER PAPER GUIDE | ADD |

www MK-Electronic.de

5. HEAD

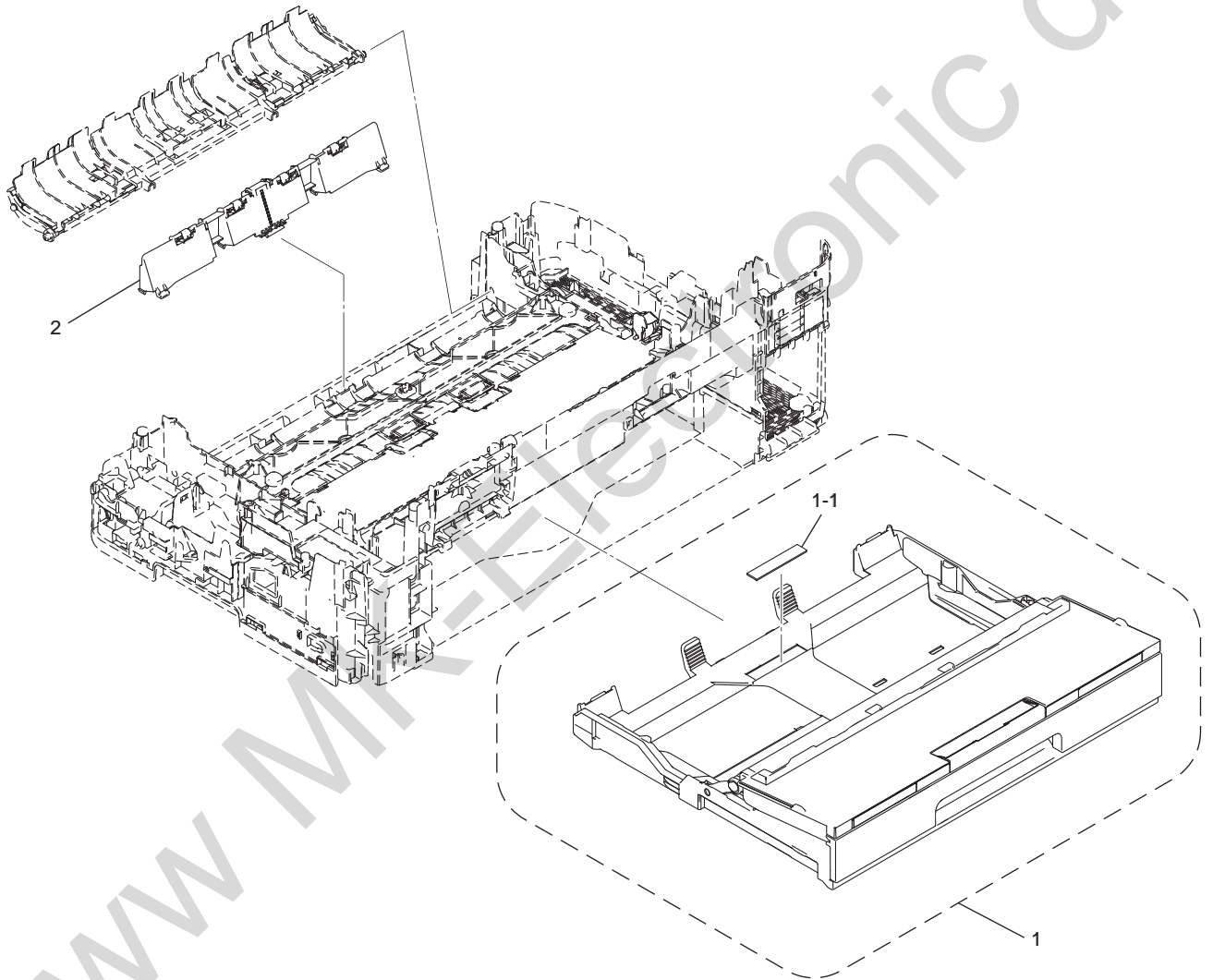


5. HEAD

| REF No. | CODE | Q'TY | DESCRIPTION | REMARKS |
|---------|-----------|------|----------------------------|---------|
| 1 | LK6584001 | 1 | HEAD/CARRIAGE UNIT (SP) | |
| 1-1 | LK6601001 | 1 | PROTECTOR SUPPLY ASSY (SP) | |

www MK-Electronic de

6. PAPER TRAY

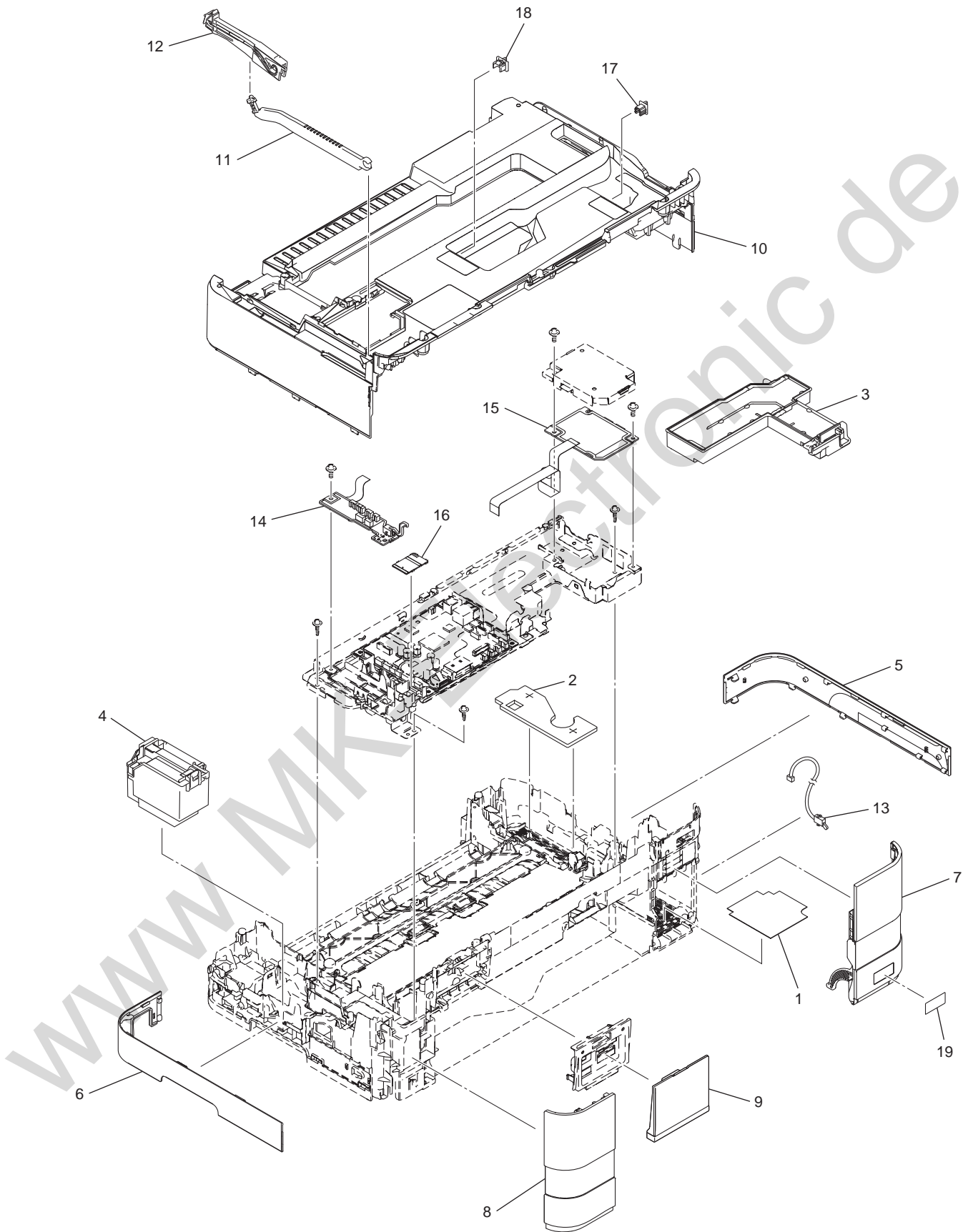


6. PAPER TRAY

| REF No. | CODE | Q'TY | DESCRIPTION | REMARKS |
|---------|-----------|------|--------------------|---------|
| 1 | LEX230001 | 1 | PAPER TRAY ASSY #1 | CHG |
| 1-1 | LED275001 | 1 | BASE PAD | |
| 2 | LED277001 | 1 | BANK ASSY | |

www MK-Electronic de

7. COVERS & LABELS

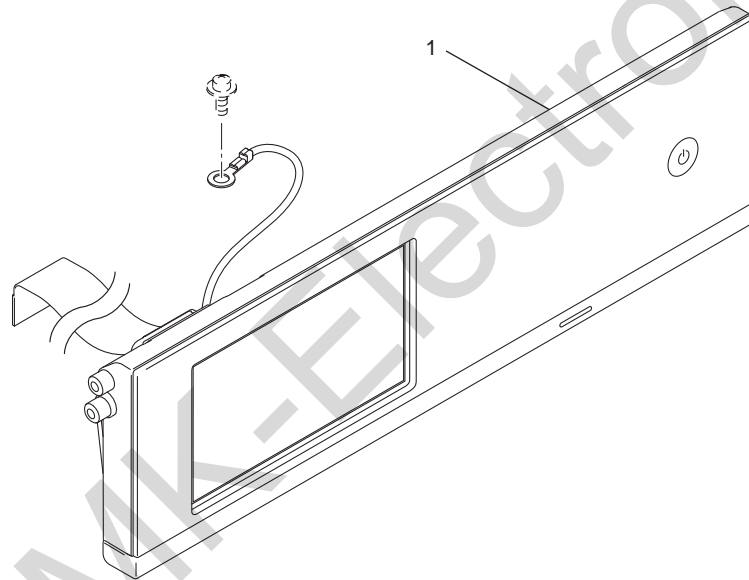


7. COVERS & LABELS

| REF No. | CODE | Q'TY | DESCRIPTION | REMARKS |
|---------|-----------|------|---|---------|
| 1 | LED459001 | 1 | INK ABSORBER FELT (FOR INK REFILL ASSY) | |
| 2 | LED460001 | 1 | INK ABSORBER FELT (FOR MAINTENANCE UNIT) | |
| 3 | LET433001 | 1 | INK ABSORBER BOX | |
| 4 | LED467001 | 1 | FLUSHING BOX | |
| 5 | LEW199001 | 1 | LOWER SIDE COVER R SP | chg |
| 6 | LER133022 | 1 | LOWER SIDE COVER L | |
| 7 | LER134001 | 1 | INK CARTRIDGE COVER | |
| 8 | LER137001 | 1 | FRONT COVER | |
| 9 | LEU519001 | 1 | MEDIA MODULE COVER, DCP-J4120DW | |
| 9 | LEU407001 | 1 | MEDIA MODULE COVER, MFC-J4320DW | |
| 9 | LER141001 | 1 | MEDIA MODULE COVER, MFC-J4420DW/J4620DW/J4625DW | |
| 10 | LEW194001 | 1 | UPPER COVER (SP), DCP-J4120DW | |
| 10 | LEW195001 | 1 | UPPER COVER (SP), MFC-J4320DW/J4420DW | |
| 10 | LEU143001 | 1 | UPPER COVER (SP), MFC-J4620DW/J4625DW | |
| 11 | LET196001 | 1 | SCANNER COVER SUPPORT | |
| 12 | LET198001 | 1 | SCANNER COVER DAMPER | |
| 13 | LT2045001 | 1 | INK CARTRIDGE COVER SENSOR ASSY | |
| 14 | LT2314001 | 1 | SENSOR RELAY PCB ASSY, DCP-J4120DW, MFC-J4320DW | |
| 14 | LT2048001 | 1 | SENSOR RELAY PCB ASSY, MFC-J4420DW/J4620DW/J4625DW | |
| 15 | LT3001011 | 1 | MODEM PCB ASSY, MFC-J4320DW/J4420DW/J4620DW FOR US/CAN/ARG/CHL/BRA | |
| 15 | LT3001016 | 1 | MODEM PCB ASSY, MFC-J4620DW FOR OCE | |
| 15 | LT3001014 | 1 | MODEM PCB ASSY, MFC-J4420DW/J4620DW/J4625DW FOR GER/UK/FRA/BEL/NLD/ CHE/ISR/PND/ITA/IBR/CEE | |
| 16 | LT3808001 | 1 | WIRELESS LAN PCB ASSY | CHG |
| 17 | LE8842001 | 1 | EXT CAP, MFC-J4320DW/J4420DW/J4620DW/J4625DW FOR US/CAN/NLD/CHE/ITA/ ISR/ARG/CHL/BRA/OCE/PND/IBR/CEE | |
| 17 | UF5745000 | 1 | MJ COVER EXT, MFC-J4420DW/J4620DW/J4625DW FOR GER/UK/FRA/BEL | |
| 18 | LEG124001 | 1 | LAN PORT CAP, MFC-J4620DW/J4625DW | |
| 19 | LX3721001 | 1 | INNOBELLA LABEL FOR US | |
| 19 | LX3722001 | 1 | INNOBELLA LABEL EXCEPT FOR US | |

www.MK-Electronic.de

8. PANEL

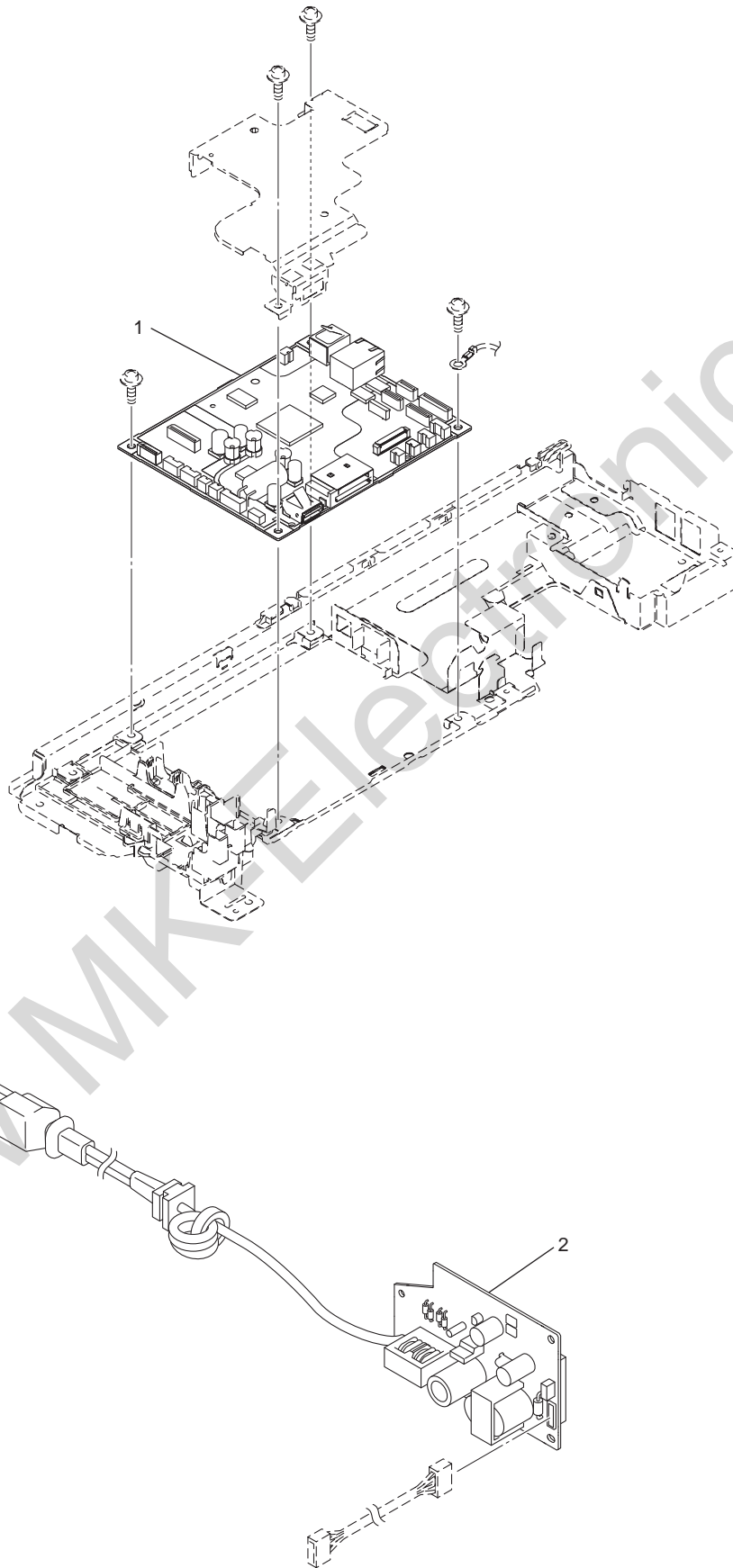


8. PANEL

| REF No. | CODE | Q'TY | DESCRIPTION | REMARKS |
|---------|-----------|------|--|---------|
| 1 | LEU527001 | 1 | CONTROL PANEL ASSY, DCP-J4120DW FOR GER/UK/FRA/CHE/OCE/PND/CEE/IBR | |
| 1 | LER786001 | 1 | CONTROL PANEL ASSY, MFC-J4320DW FOR US/CAN | |
| 1 | LER792001 | 1 | CONTROL PANEL ASSY, MFC-J4420DW FOR US/CAN/CHL/BRA | |
| 1 | LEU491001 | 1 | CONTROL PANEL ASSY, MFC-J4420DW FOR GER/UK/FRA/BEL/NLD/CHE/ITA/ ISR/CEE/IBR | |
| 1 | LER185001 | 1 | CONTROL PANEL ASSY, MFC-J4620DW FOR US/CAN/ARG/BRA | |
| 1 | LEU341001 | 1 | CONTROL PANEL ASSY, MFC-J4620DW FOR GER/UK/FRA/BEL/NLD/CHE/ITA/OCE/ PND/IBR/CEE | |
| 1 | LEU363001 | 1 | CONTROL PANEL ASSY, MFC-J4625DW FOR GER/UK/FRA/CHE/PND | |

www MK-Electronic.de

9. PCB

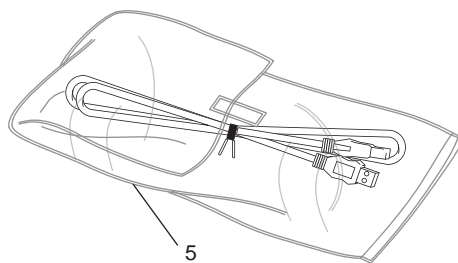
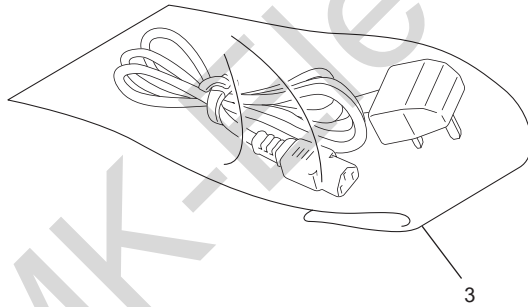
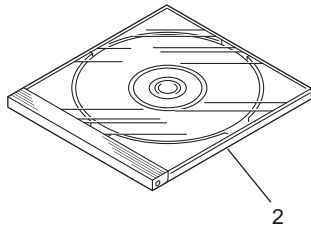
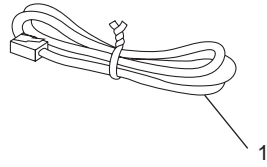


9. PCB

| REF No. | CODE | Q'TY | DESCRIPTION | REMARKS |
|---------|-----------|------|---|---------|
| 1 | LT3567004 | 1 | MAIN PCB ASSY (SP), DCP-J4120DW FOR GER/UK/FRA/CHE/PND/IBR/CEE (PRESET CODE:0004) | |
| 1 | LT3568001 | 1 | MAIN PCB ASSY (SP), MFC-J4320DW FOR US/CAN (PRESET CODE:0001) | |
| 1 | LT3569001 | 1 | MAIN PCB ASSY (SP), MFC-J4420 FOR US/CAN/CHL/BRA (PRESET CODE:0301) | |
| 1 | LT3569004 | 1 | MAIN PCB ASSY (SP), MFC-J4420 FOR GER/UK/FRA/BEL/NLD/CHE/ITA/ISR/IBR/CEE (PRESET CODE:0304) | |
| 1 | LT3570001 | 1 | MAIN PCB ASSY (SP), MFC-J4620DW FOR US/CAN/ARG/BRA (PRESET CODE:0001) | |
| 1 | LT3570004 | 1 | MAIN PCB ASSY (SP), MFC-J4620DW/J4625DW FOR GER/UK/FRA/BEL/NLD/CHE/ITA/PND/IBR/CEE (PRESET CODE:0004) | |
| 1 | LT3567056 | 1 | MAIN PCB ASSY (SP), DCP-J4120DW FOR OCE (PRESET CODE:0056) | |
| 1 | LT3570056 | 1 | MAIN PCB ASSY (SP), MFC-J4620DW FOR OCE (PRESET CODE:0056) | |
| 2 | LT3057001 | 1 | POWER SUPPLY PCB ASSY FOR US/CAN | |
| 2 | LT3389001 | 1 | POWER SUPPLY PCB ASSY FOR GER/UK/FRA/BEL/NLD/CHE/ITA/ISR/ARG/CHL/OCE/PND/IBR/CEE | |
| 2 | LT3635001 | 1 | POWER SUPPLY PCB ASSY FOR BRA | |

www MK-Electronic.de

10. ACCESSORIES

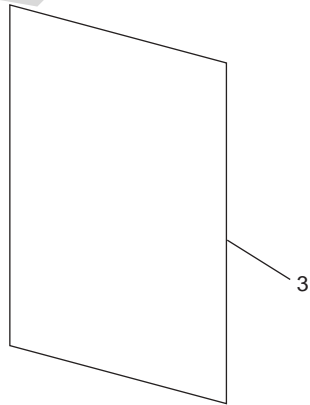
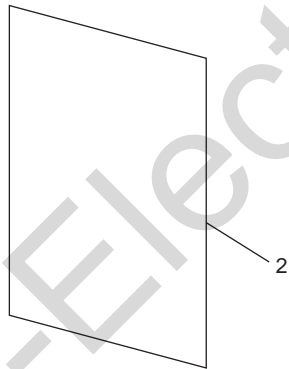
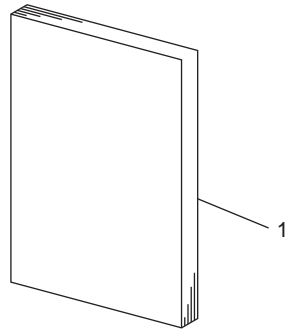


www.MK-Electronic.de

10. ACCESSORIES

| REF No. | CODE | Q'TY | DESCRIPTION | REMARKS |
|---------|-----------|------|--|---------|
| 1 | LG3077001 | 1 | TELEPHONE LINE CORD CSA, MFC-J4320DW/J4420DW/J4620DW/J4625DW FOR US/ CAN/UK/NLD/ISR/ARG/CHL/BRA/IBR/CEE | |
| 1 | UG1575001 | 1 | TELEPHONE LINE CORD BEL, MFC-J4420DW/J4620DW FOR BEL | |
| 1 | LG7202001 | 1 | TELEPHONE LINE CORD CHE, MFC-J4420DW/J4620DW/J4625DW FOR CHE | |
| 1 | UG3625001 | 1 | TELEPHONE LINE CORD, MFC-J4420DW/J4620DW/J4625DW FOR GER | |
| 1 | UG3626001 | 1 | TELEPHONE LINE CORD UK6P, MFC-J4420DW/J4620DW/J4625DW FOR UK | |
| 1 | UG3627001 | 1 | TELEPHONE LINE CORD, MFC-J4420DW/J4625DW FOR FRA | |
| 1 | LT2144001 | 1 | TELEPHONE LINE CORD, MFC-J4420DW/J4620DW FOR ITA | |
| 1 | UG3290001 | 1 | TELEPHONE LINE CORD NZ, MFC-J4620DW FOR OCE | |
| 1 | LT3317001 | 1 | TELEPHONE LINE CORD CSA2, MFC-J4620DW FOR OCE | |
| 1 | LG5827001 | 1 | TELEPHONE LINE CORD RJ45, MFC-J4620DW/J4625DW FOR PND | |
| 2 | LER520001 | 1 | CD-ROM ASSY, MFC-J4320DW/J4420DW/J4620DW FOR US | chg |
| 2 | LER521001 | 1 | CD-ROM ASSY, MFC-J4320DW/J4420DW/J4620DW FOR CAN/ARG/CHL/BRA | chg |
| 2 | LER831001 | 1 | CD-ROM ASSY, DCP-J4120DW, MFC-J4420DW/J4620DW/J4625DW FOR GER/UK/ FRA/BEL/NLD/CHE/ITA/ISR/IBR | |
| 2 | LER932001 | 1 | CD-ROM ASSY, DCP-J4120DW, MFC-J4620DW FOR OCE | |
| 2 | LER832001 | 1 | CD-ROM ASSY, DCP-J4120DW, MFC-J4620DW/J4625DW FOR PND | |
| 2 | LER833001 | 1 | CD-ROM ASSY, DCP-J4120DW, MFC-J4420DW/J4620DW FOR CEE | |
| 3 | LT2509001 | 1 | AC CORD BAG ASSY C5RA EUR FOR GER/FRA/BEL/NLD/ITA/IBR/CEE | |
| 3 | LT2544001 | 1 | AC CORD BAG ASSY C5RA FOR UK | |
| 3 | LT2637001 | 1 | AC CORD BAG ASSY C5RA FOR CHE | |
| 3 | LT2639001 | 1 | AC CORD BAG ASSY C5RA SAI FOR OCE | |
| 3 | LT2675001 | 1 | AC CORD BAG ASSY C5RA FOR ISR | |
| 3 | LT2691001 | 1 | AC CORD BAG ASSY C5RA FOR CHL | |
| 3 | LT2688001 | 1 | AC CORD BAG ASSY C5RA IRAM FOR ARG | |
| 3 | LT3387001 | 1 | AC CORD BAG ASSY C5RA FOR PND | |
| (4) | LT3927001 | 1 | TELEPHONE PLUG ARL, MFC-J4620DW FOR OCE | CHG |
| (4) | LG5828001 | 1 | TELEPHONE PLUG DEN, MFC-J4620DW/J4625DW FOR PND | |
| (4) | LG5830001 | 1 | TELEPHONE PLUG SWE, MFC-J4620DW/J4625DW FOR PND | |
| (4) | LG5829001 | 1 | TELEPHONE PLUG FIN, MFC-J4620DW/J4625DW FOR PND | |
| 5 | LT3290001 | 1 | USB CABLE 2.0 | |

11. PRINTED MATERIALS



www MK-Electronic.de

11. PRINTED MATERIALS

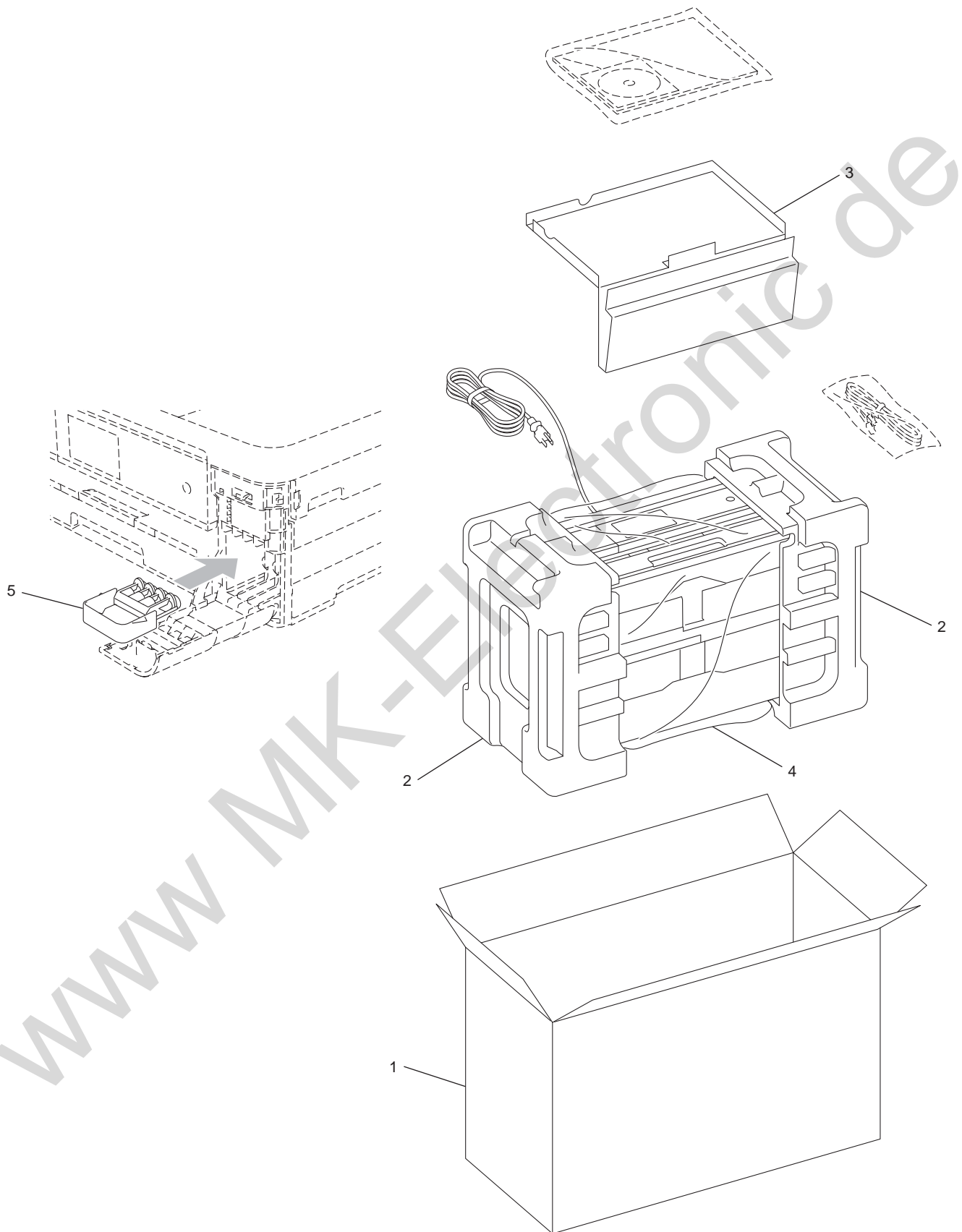
| REF No. | CODE | Q'TY | DESCRIPTION | REMARKS |
|---------|-----------|------|---|---------|
| 1 | LEU968001 | 1 | USER'S GUIDE, MFC-J4320DW FOR US/CAN (ENGLISH) | |
| 1 | LEU297001 | 1 | USER'S GUIDE, MFC-J4420DW FOR US/CAN (ENGLISH) | |
| 1 | LET977001 | 1 | USER'S GUIDE, MFC-J4620DW FOR US/CAN (ENGLISH) | |
| 1 | LEU968002 | 1 | USER'S GUIDE, MFC-J4320DW FOR CAN (FRENCH) | |
| 1 | LEU297002 | 1 | USER'S GUIDE, MFC-J4420DW FOR CAN (FRENCH) | |
| 1 | LET977002 | 1 | USER'S GUIDE, MFC-J4620DW FOR CAN (FRENCH) | |
| 1 | LEU297003 | 1 | USER'S GUIDE, MFC-J4420DW FOR GER/CHE (GERMAN) | |
| 1 | LET977003 | 1 | USER'S GUIDE, MFC-J4620DW/J4625DW FOR GER/CHE (GERMAN) | |
| 1 | LEU827003 | 1 | USER'S GUIDE, DCP-J4120DW FOR GER/CHE (GERMAN) | |
| 1 | LEU827004 | 1 | USER'S GUIDE, DCP-J4120DW FOR UK | |
| 1 | LEU297004 | 1 | USER'S GUIDE, MFC-J4420DW FOR UK | |
| 1 | LET977004 | 1 | USER'S GUIDE, MFC-J4620DW/J4625DW FOR UK | |
| 1 | LEU827005 | 1 | USER'S GUIDE, DCP-J4120DW FOR FRA/CHE (FRENCH) | |
| 1 | LEU297005 | 1 | USER'S GUIDE, MFC-J4420DW FOR FRA/BEL/CHE (FRENCH) | |
| 1 | LET977005 | 1 | USER'S GUIDE, MFC-J4620DW/J4625DW FOR FRA/BEL/CHE (FRENCH) | |
| 1 | LEU827009 | 1 | USER'S GUIDE, DCP-J4120DW FOR FRA (DUTCH) | |
| 1 | LEU297009 | 1 | USER'S GUIDE, MFC-J4420DW FOR BEL/NLD (DUTCH) | |
| 1 | LET977009 | 1 | USER'S GUIDE, MFC-J4620DW FOR BEL/NLD (DUTCH) | |
| 1 | LEU297016 | 1 | USER'S GUIDE, MFC-J4420DW FOR ITA | |
| 1 | LET977016 | 1 | USER'S GUIDE, MFC-J4620DW FOR ITA | |
| 1 | LET977031 | 1 | USER'S GUIDE, MFC-J4620DW FOR ARG | |
| 1 | LEU297031 | 1 | USER'S GUIDE, MFC-J4420DW FOR CHL | |
| 1 | LEU297042 | 1 | USER'S GUIDE, MFC-J4420DW FOR BRA | |
| 1 | LET977042 | 1 | USER'S GUIDE, MFC-J4620DW FOR BRA | |
| 1 | LEU837065 | 1 | USER'S GUIDE, DCP-J4120DW FOR IBR (SPANISH/PORTUGUESE) | |
| 1 | LEU507065 | 1 | USER'S GUIDE, MFC-J4420DW FOR IBR (SPANISH/PORTUGUESE) | |
| 1 | LEU359065 | 1 | USER'S GUIDE, MFC-J4620DW FOR IBR (SPANISH/PORTUGUESE) | |
| 1 | LEW056040 | 1 | USER'S GUIDE, DCP-J4120DW FOR OCE | |
| 1 | LEU344040 | 1 | USER'S GUIDE, MFC-J4620DW FOR OCE | |
| 1 | LEU837007 | 1 | USER'S GUIDE, DCP-J4120DW FOR PND (NORWEGIAN/SWEDISH) | |
| 1 | LEU837013 | 1 | USER'S GUIDE, DCP-J4120DW FOR PND (FINNISH/DANISH) | |
| 1 | LEU359007 | 1 | USER'S GUIDE, MFC-J4620DW/J4625DW FOR PND (NORWEGIAN/SWEDISH) | |
| 1 | LEU359013 | 1 | USER'S GUIDE, MFC-J4620DW/J4625DW FOR PND (FINNISH/DANISH) | |
| 2 | LEU969001 | 1 | QUICK SETUP GUIDE, MFC-J4320DW FOR US/CAN (ENGLISH) | |
| 2 | LEU298001 | 1 | QUICK SETUP GUIDE, MFC-J4420DW FOR US/CAN (ENGLISH) | |
| 2 | LET978001 | 1 | QUICK SETUP GUIDE, MFC-J4620DW FOR US/CAN (ENGLISH) | |
| 2 | LEU969002 | 1 | QUICK SETUP GUIDE, MFC-J4320DW FOR CAN (FRENCH) | |
| 2 | LEU298002 | 1 | QUICK SETUP GUIDE, MFC-J4420DW FOR CAN (FRENCH) | |
| 2 | LET978002 | 1 | QUICK SETUP GUIDE, MFC-J4620DW FOR CAN (FRENCH) | |
| 2 | LEU828003 | 1 | QUICK SETUP GUIDE, DCP-J4120DW FOR GER/CHE (GERMAN) | |
| 2 | LEU298003 | 1 | QUICK SETUP GUIDE, MFC-J4420DW FOR GER/CHE (GERMAN) | |
| 2 | LET978003 | 1 | QUICK SETUP GUIDE, MFC-J4620DW/J4625DW FOR GER/CHE (GERMAN) | |
| 2 | LEU828004 | 1 | QUICK SETUP GUIDE, DCP-J4120DW FOR UK | |
| 2 | LEU298004 | 1 | QUICK SETUP GUIDE, MFC-J4420DW FOR UK/ISR | |
| 2 | LET978004 | 1 | QUICK SETUP GUIDE, MFC-J4620DW/J4625DW FOR UK | |
| 2 | LEU828005 | 1 | QUICK SETUP GUIDE, DCP-J4120DW FOR FRA/CHE (FRENCH) | |
| 2 | LEU298005 | 1 | QUICK SETUP GUIDE, MFC-J4420DW FOR FRA/BEL/CHE (FRENCH) | |
| 2 | LET978005 | 1 | QUICK SETUP GUIDE, MFC-J4620DW/J4625DW FOR FRA/BEL/CHE (FRENCH) | |
| 2 | LEU828009 | 1 | QUICK SETUP GUIDE, DCP-J4120DW FOR FRA (DUTCH) | |
| 2 | LEU298009 | 1 | QUICK SETUP GUIDE, MFC-J4420DW FOR NLD/BEL (DUTCH) | |
| 2 | LET978009 | 1 | QUICK SETUP GUIDE, MFC-J4620DW FOR BEL/NLD (DUTCH) | |
| 2 | LEU828016 | 1 | QUICK SETUP GUIDE, DCP-J4120DW FOR CHE (ITALIAN) | |
| 2 | LEU298016 | 1 | QUICK SETUP GUIDE, MFC-J4420DW FOR CHE/ITA (ITALIAN) | |
| 2 | LET978016 | 1 | QUICK SETUP GUIDE, MFC-J4620DW/J4625DW FOR CHE/ITA (ITALIAN) | |
| 2 | LEU298031 | 1 | QUICK SETUP GUIDE, MFC-J4420DW FOR CHL | |
| 2 | LET978031 | 1 | QUICK SETUP GUIDE, MFC-J4620DW FOR ARG | |
| 2 | LEU298042 | 1 | QUICK SETUP GUIDE, MFC-J4420DW FOR BRA | |
| 2 | LET978042 | 1 | QUICK SETUP GUIDE, MFC-J4620DW FOR BRA | |
| 2 | LEU828015 | 1 | QUICK SETUP GUIDE, DCP-J4120DW FOR IBR (SPANISH) | |
| 2 | LEU298015 | 1 | QUICK SETUP GUIDE, MFC-J4420DW FOR IBR (SPANISH) | |
| 2 | LET978015 | 1 | QUICK SETUP GUIDE, MFC-J4620DW FOR IBR (SPANISH) | |
| 2 | LEU828018 | 1 | QUICK SETUP GUIDE, DCP-J4120DW FOR IBR (PORTUGUESE) | |
| 2 | LEU298018 | 1 | QUICK SETUP GUIDE, MFC-J4420DW FOR IBR (PORTUGUESE) | |
| 2 | LET978018 | 1 | QUICK SETUP GUIDE, MFC-J4620DW FOR IBR (PORTUGUESE) | |
| 2 | LEW057040 | 1 | QUICK SETUP GUIDE, DCP-J4120DW FOR OCE | |
| 2 | LEU345040 | 1 | QUICK SETUP GUIDE, MFC-J4620DW FOR OCE | |
| 2 | LEU828007 | 1 | QUICK SETUP GUIDE, DCP-J4120DW FOR PND (NORWEGIAN) | |
| 2 | LEU828012 | 1 | QUICK SETUP GUIDE, DCP-J4120DW FOR PND (FINNISH) | |
| 2 | LEU828013 | 1 | QUICK SETUP GUIDE, DCP-J4120DW FOR PND (DANISH) | |

11. PRINTED MATERIALS

| REF No. | CODE | Q'TY | DESCRIPTION | REMARKS |
|---------|-----------|------|--|---------|
| 2 | LEU828026 | 1 | QUICK SETUP GUIDE, DCP-J4210DW FOR PND (SWEDISH) | |
| 2 | LET978007 | 1 | QUICK SETUP GUIDE, MFC-J4620DW/J4625DW FOR PND (NORWEGIAN) | |
| 2 | LET978012 | 1 | QUICK SETUP GUIDE, MFC-J4620DW/J4625DW FOR PND (FINNISH) | |
| 2 | LET978013 | 1 | QUICK SETUP GUIDE, MFC-J4620DW/J4625DW FOR PND (DANISH) | |
| 2 | LET978026 | 1 | QUICK SETUP GUIDE, MFC-J4620DW/J4625DW FOR PND (SWEDISH) | |
| 2 | LEU828038 | 1 | QUICK SETUP GUIDE, DCP-J4120DW FOR CEE (ENGLISH) | |
| 2 | LEW204060 | 1 | QUICK SETUP GUIDE, DCP-J4120DW FOR CEE (CZECH/HUNGARIAN) | |
| 2 | LEW204061 | 1 | QUICK SETUP GUIDE, DCP-J4120DW FOR CEE (POLISH/BULGARIAN) | |
| 2 | LEW204062 | 1 | QUICK SETUP GUIDE, DCP-J4120DW FOR CEE (ROMANIAN/SLOVAK) | |
| 2 | LEU298038 | 1 | QUICK SETUP GUIDE, MFC-J4420DW FOR CEE (ENGLISH) | |
| 2 | LEW009060 | 1 | QUICK SETUP GUIDE, MFC-J4420DW FOR CEE (CZECH/HUNGARIAN) | |
| 2 | LEW009061 | 1 | QUICK SETUP GUIDE, MFC-J4420DW FOR CEE (POLISH/BULGARIAN) | |
| 2 | LEW009062 | 1 | QUICK SETUP GUIDE, MFC-J4420DW FOR CEE (ROMANIAN/SLOVAK) | |
| 2 | LET978038 | 1 | QUICK SETUP GUIDE, MFC-J4620DW FOR CEE (ENGLISH) | |
| 2 | LEW001060 | 1 | QUICK SETUP GUIDE, MFC-J4620DW FOR CEE (CZECH/HUNGARIAN) | |
| 2 | LEW001061 | 1 | QUICK SETUP GUIDE, MFC-J4620DW FOR CEE (POLISH/BULGARIAN) | |
| 2 | LEW001062 | 1 | QUICK SETUP GUIDE, MFC-J4620DW FOR CEE (ROMANIAN/SLOVAK) | |
| 3 | LET814001 | 1 | JAM CLEAR SHEET PAD FOR US/CAN/ARG/CHL/BRA | ADD |
| 3 | LET815001 | 1 | JAM CLEAR SHEET PAD FOR GER/UK/FRA/BEL/NLD/CHE/ITA/ISR/PND/IBR/CEE | ADD |
| 3 | LET816001 | 1 | JAM CLEAR SHEET PAD FOR OCE | ADD |

www.MK-Electronic.de

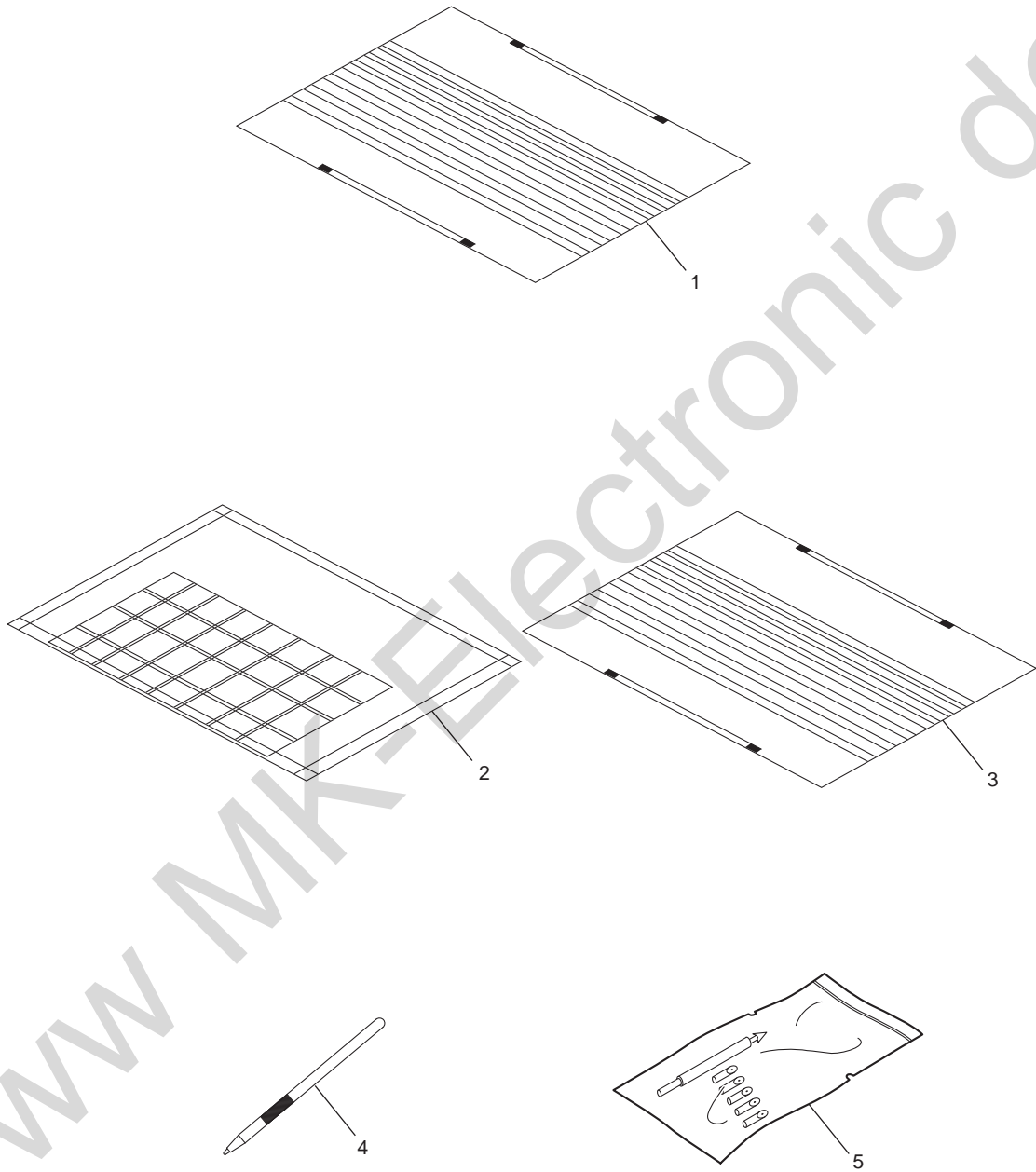
12. PACKING MATERIALS



12. PACKING MATERIALS

| REF No. | CODE | Q'TY | DESCRIPTION | REMARKS |
|---------|-----------|------|---|---------|
| 1 | LEU970001 | 1 | CARTON BROTHER, MFC-J4320DW FOR US | |
| 1 | LEU299001 | 1 | CAROTN BROTHER, MFC-J4420DW FOR US | |
| 1 | LET980001 | 1 | CARTON BROTHER, MFC-J4620DW FOR US | |
| 1 | LEU974001 | 1 | CARTON BROTHER, MFC-J4320DW FOR CAN | |
| 1 | LEU303001 | 1 | CARTON BROTHER, MFC-J4420DW FOR CAN | |
| 1 | LET987001 | 1 | CARTON BROTHER, MFC-J4620DW FOR CAN | |
| 1 | LEU829001 | 1 | CARTON BROTHER, DCP-J4120DW FOR GER | |
| 1 | LEU494001 | 1 | CARTON BROTHER, MFC-J4420DW FOR GER | |
| 1 | LEU346001 | 1 | CARTON BROTHER, MFC-J4620DW FOR GER | |
| 1 | LEU365001 | 1 | CARTON BROTHER, MFC-J4625DW FOR GER | |
| 1 | LEU832001 | 1 | CARTON BROTHER, DCP-J4120DW FOR UK/PND/CEE | |
| 1 | LEU498001 | 1 | CARTON BROTHER, MFC-J4420DW FOR UK/ISR/CEE | |
| 1 | LEU350001 | 1 | CARTON BROTHER, MFC-J4620DW FOR UK/PND/CEE | |
| 1 | LEU367001 | 1 | CARTON BROTHER, MFC-J4625DW FOR UK/PND | |
| 1 | LEU500001 | 1 | CARTON BROTHER, MFC-J4420DW FOR FRA/BEL/NLD/CHE | |
| 1 | LEU352001 | 1 | CARTON BROTHER, MFC-J4620DW FOR FRA/BEL/NLD/CHE | |
| 1 | LEU834001 | 1 | CARTON BROTHER, DCP-J4120DW FOR FRA/CHE | |
| 1 | LEU369001 | 1 | CARTON BROTHER, MFC-J4625DW FOR FRA/CHE | |
| 1 | LEU504001 | 1 | CARTON BROTHER, MFC-J4420DW FOR ITA/IBR | |
| 1 | LEU356001 | 1 | CARTON BROTHER, MFC-J4620DW FOR ITA/IBR | |
| 1 | LEW044001 | 1 | CARTON BROTHER, MFC-J4620DW FOR ARG/BRA | |
| 1 | LEW118001 | 1 | CARTON BROTHER, MFC-J4420DW FOR CHL/BRA | |
| 1 | LEU838001 | 1 | CARTON BROTHER, DCP-J4120DW FOR IBR | |
| 1 | LEU800001 | 1 | CARTON BROTHER, DCP-J4120DW FOR OCE | |
| 1 | LEU752001 | 1 | CARTON BROTHER, MFC-J4620DW FOR OCE | |
| 2 | LER890001 | 1 | PACKING PAD ASSY, DCP-J4120DW, MFC-J4320DW | |
| 2 | LER713001 | 1 | PACKING PAD ASSY, MFC-J4420DW/J4620DW/J4625DW | |
| 3 | LEU153001 | 1 | ACCESSORIES SHEET | |
| 4 | LED903001 | 1 | BAG 850X770H | |
| 5 | LEW051001 | 1 | PROTECTIVE PART (SP) | CHG |

13. OTHERS



13. OTHERS

| REF No. | CODE | Q'TY | DESCRIPTION | REMARKS |
|---------|-----------|------|--------------------------|---------|
| 1 | UF8263001 | 1 | TEST CHART-027 | |
| 2 | UF9258001 | 1 | COLOR TEST CHART CTC-001 | |
| 3 | UF4600001 | 1 | CONTRAST CHART TC-023 | |
| 4 | XA9940051 | 1 | TOUCH PEN | |
| 5 | ZA0310001 | 1 | HEAD CLEANER STICK ASSY | |

www MK-Electronic de