

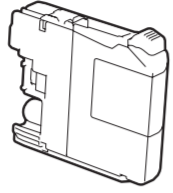
## Unpack the machine and check the components



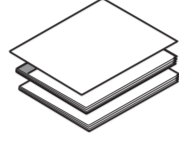
Watch our FAQ Videos for help with setting up your Brother machine.  
[solutions.brother.com/videos](http://solutions.brother.com/videos)

Visit the Brother support website  
<http://support.brother.com>

1. Remove the protective tape and film covering the machine, and also from the Touchscreen.
2. Make sure you have all components.  
The components included in the box may differ depending on your country.



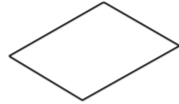
**Introductory Ink Cartridges [x4]**  
Black  
Yellow  
Cyan  
Magenta  
(Approx. 65% yield of the replacement cartridge (High Yield) >> *Basic User's Guide: Supplies*)



**Quick Setup Guide  
Basic User's Guide  
Product Safety Guide**



**CD-ROM**



**Maintenance Sheet**



**Power Cord**

**WARNING**

Plastic bags are used in the packing of your machine. To avoid the danger of suffocation, keep these plastic bags away from babies and children. Plastic bags are not toys.

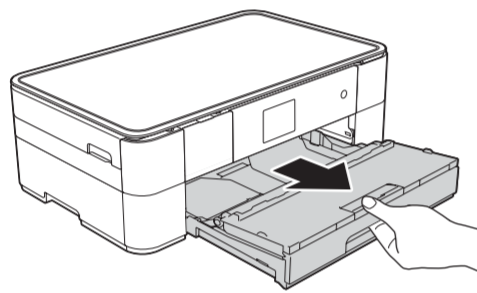
**NOTE**

Save all packing materials and the box in case for any reason you must ship your machine.

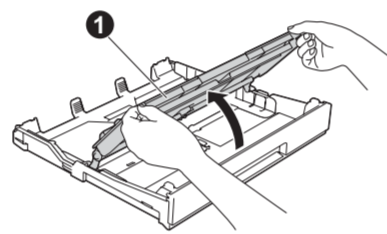
**USB cable**

- You must purchase the correct USB cable.
- We recommend using a USB 2.0 cable (Type A/B) that is no more than 2 metres long.

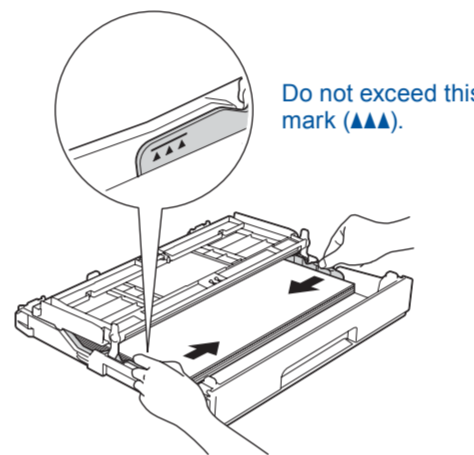
## 1 Load plain A4 paper



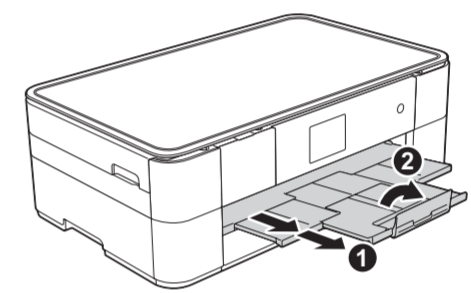
Pull the paper tray completely out of the machine.



Open the output paper tray cover ①.

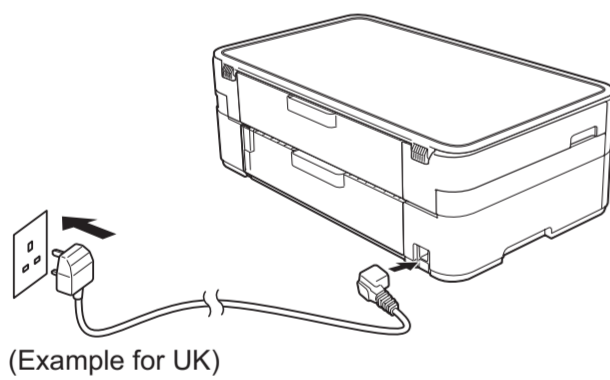


Fan the paper well and load it in the tray.  
Adjust the paper guides.



Pull out the paper support ①, and unfold the paper support flap ②.

## 2 Connect power cord



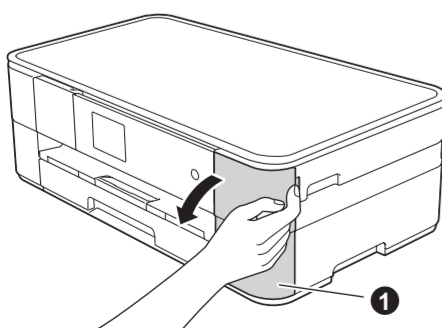
(Example for UK)

Connect the power cord.

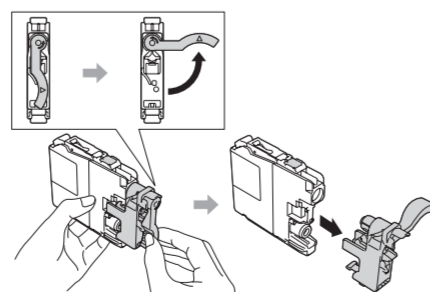
## 3 Choose your language

1. Press ▲ or ▼ to display your language and press the desired language. Press OK.
2. Press Yes or No.

## 4 Install introductory ink cartridges



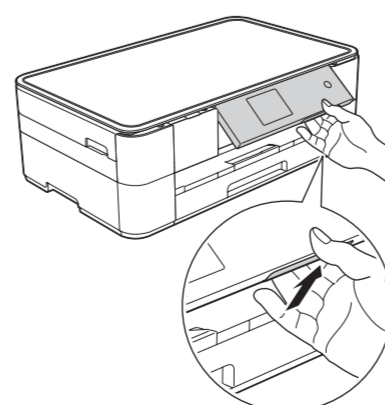
Open the ink cartridge cover ①.



Follow the Touchscreen instructions to install the ink cartridges. The machine will prepare the ink tube system for printing.

**NOTE**

You can adjust the angle of the control panel by lifting it.



## 5 Machine Settings

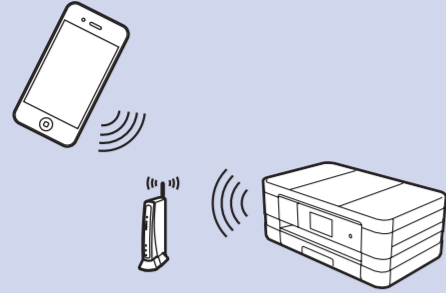
When the machine has finished the initial cleaning process, follow the Touchscreen instructions to configure the machine settings.

- Check print quality
- Set date and time
- Print the installation sheet



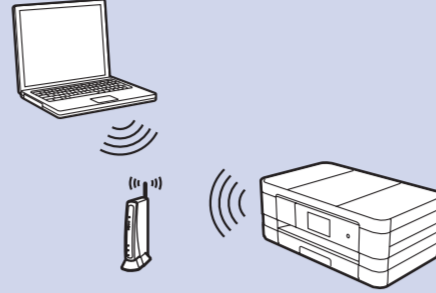
## 6 Choose your method

### Mobile



Go to **7 For Wireless Networks Method B**

### Wireless Network



Go to **7 For Wireless Networks Method A** or **Method B**

### USB



Go to **7 For USB Connections**

## 7 Connect to your device and install software

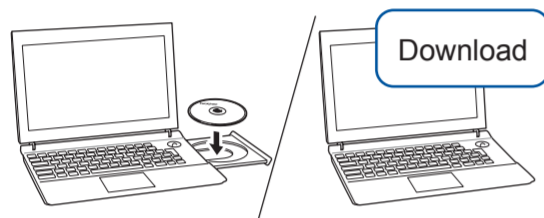


### For Wireless Networks

To connect additional computers, repeat Method A for each computer.

#### Method A Setup from the computer

Make sure that you are logged on with Administrator rights.



Download

Put the CD-ROM into your CD-ROM drive. If you do not have a CD-ROM drive, download the software at:  
For Windows®: [solutions.brother.com/windows](http://solutions.brother.com/windows)  
For Macintosh: [solutions.brother.com/mac](http://solutions.brother.com/mac)



Follow the on-screen instructions to continue installation.

A USB cable may be needed in some cases.

Finish

#### Method B Manual setup using the Setup Wizard

##### Set up your machine

- Write your wireless access point/router information in the area below. This information may be hidden on the bottom of the wireless access point/router. If you cannot find it, ask your network administrator or wireless access point/router manufacturer.

SSID (Network Name)	
Network Key (Password)	



- Press **WiFi** on your Brother machine's Touchscreen, and then press Setup Wizard. When Enable WLAN? is displayed, press Yes.
- Select the SSID you wrote down in 1. Press OK.
- If the machine prompts you to enter a Network Key, enter the key you wrote down in 1. Press OK.
- Press Yes to apply your settings.

##### Install Brother iPrint&Scan

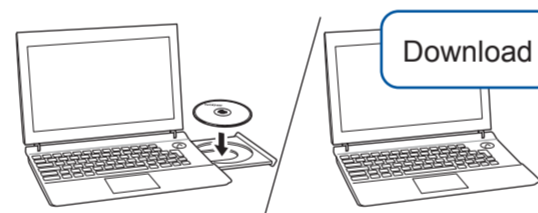


You can print from and scan to mobile devices using our free application "Brother iPrint&Scan." Download and install the application from [solutions.brother.com/ips](http://solutions.brother.com/ips).

Finish

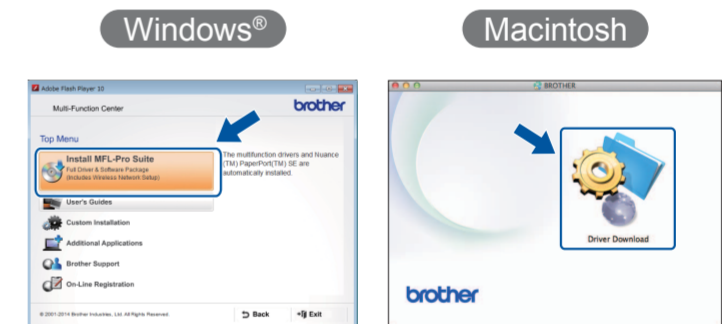
##### Install MFL-Pro Suite

Make sure that you are logged on with Administrator rights.



Download

Put the CD-ROM into your CD-ROM drive. If you do not have a CD-ROM drive, download the software at:  
For Windows®: [solutions.brother.com/windows](http://solutions.brother.com/windows)  
For Macintosh: [solutions.brother.com/mac](http://solutions.brother.com/mac)



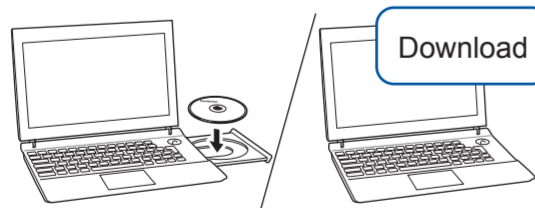
Follow the on-screen instructions to continue installation.

Finish



### For USB Connections

#### Install MFL-Pro Suite



Download

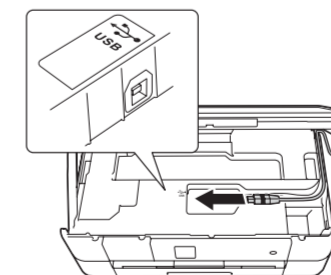
Make sure that you are logged on with Administrator rights.

Put the CD-ROM into your CD-ROM drive. If you do not have a CD-ROM drive, download the software at:  
[solutions.brother.com/windows](http://solutions.brother.com/windows)



Follow the on-screen instructions.

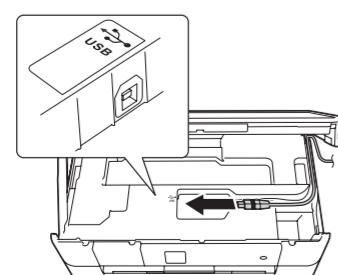
#### Connect the USB cable



Follow the on-screen instructions to continue installation.

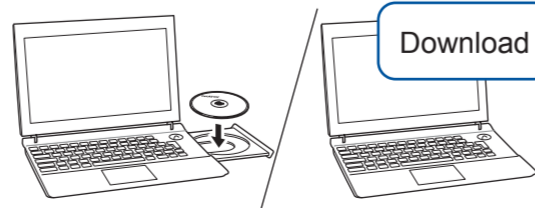
Finish

#### Connect the USB cable



Macintosh

#### Install MFL-Pro Suite



Download

Make sure that you are logged on with Administrator rights.

Put the CD-ROM into your CD-ROM drive. If you do not have a CD-ROM drive, download the software at:  
[solutions.brother.com/mac](http://solutions.brother.com/mac)



Internet access is required. Follow the on-screen instructions to continue installation.

Finish