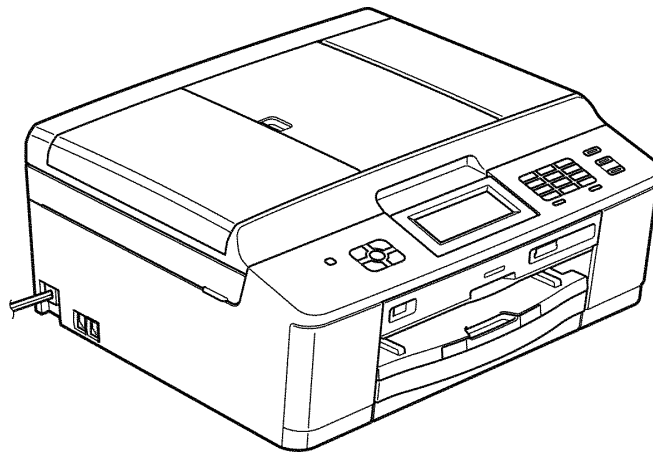




Inkjet MFC

PARTS REFERENCE LIST

MODEL:
DCP-J525W / DCP-J725DW
DCP-J925DW
MFC-J280W / MFC-J425W
MFC-J430W / MFC-J432W
MFC-J435W / MFC-J625DW
MFC-J825DW / MFC-J835DW



Read this list thoroughly before maintenance work.

Keep this list in a convenient place for quick and easy reference at all times.

NOTE FOR USING THIS PARTS REFERENCE LIST

1. In the case of ordering parts, it is necessary to mention the following items;

- (1) Code
- (2) Q'ty
- (3) Description
- (4) Symbol (PCB No. etc)

Note: Orders without Parts Code or Tool No. can not be accepted.

< Example >

REF.NO.	(1) CODE	(2) Q'TY	(3) DESCRIPTION	(4) SYMBOL	REMARK

2. Design-changed parts :

If any of the parts is changed, one of the following symbols is indicated in the REMARK column.

CHG(chg) : The parts is changed to a new parts.

ADD(add) : The parts is newly added.

DEL(del) : The parts is deleted.

Symbol in capital letters indicates the latest parts change information in the page.

3. Parts change will be informed by the Parts change information.

4. Parts are subject to change in design without prior notice.

COUNTRIES

U.S.A. ---- US

CANADA ---- CAN

GERMANY ---- GER

UNITED KINGDOM ---- UK

FRANCE ---- FRA

BELGIUM ---- BEL

NETHERLANDS ---- NLD

SWITZERLAND ---- CHE

AUSTRIA ---- AUS

ITALY ---- ITA

ISRAEL ---- ISR

CHINA ---- CHN

TAIWAN ---- TWN

HONG KONG ---- HK

INDONESIA ---- IDN

ARGENTINA ---- ARG

CHILE ---- CHL

POLAND ---- POL

ASIA (SINGAPORE & GULF) --- ASA

BRAZIL ---- BRA

KOREA ---- KOR

RUSSIA ---- RUS

OCEANIA (AUSTRALIA & NEW ZEALAND) ---- OCE

PAN-NORDIC

(NORWAY/FINLAND/DENMARK/SWEDEN) ---- PND

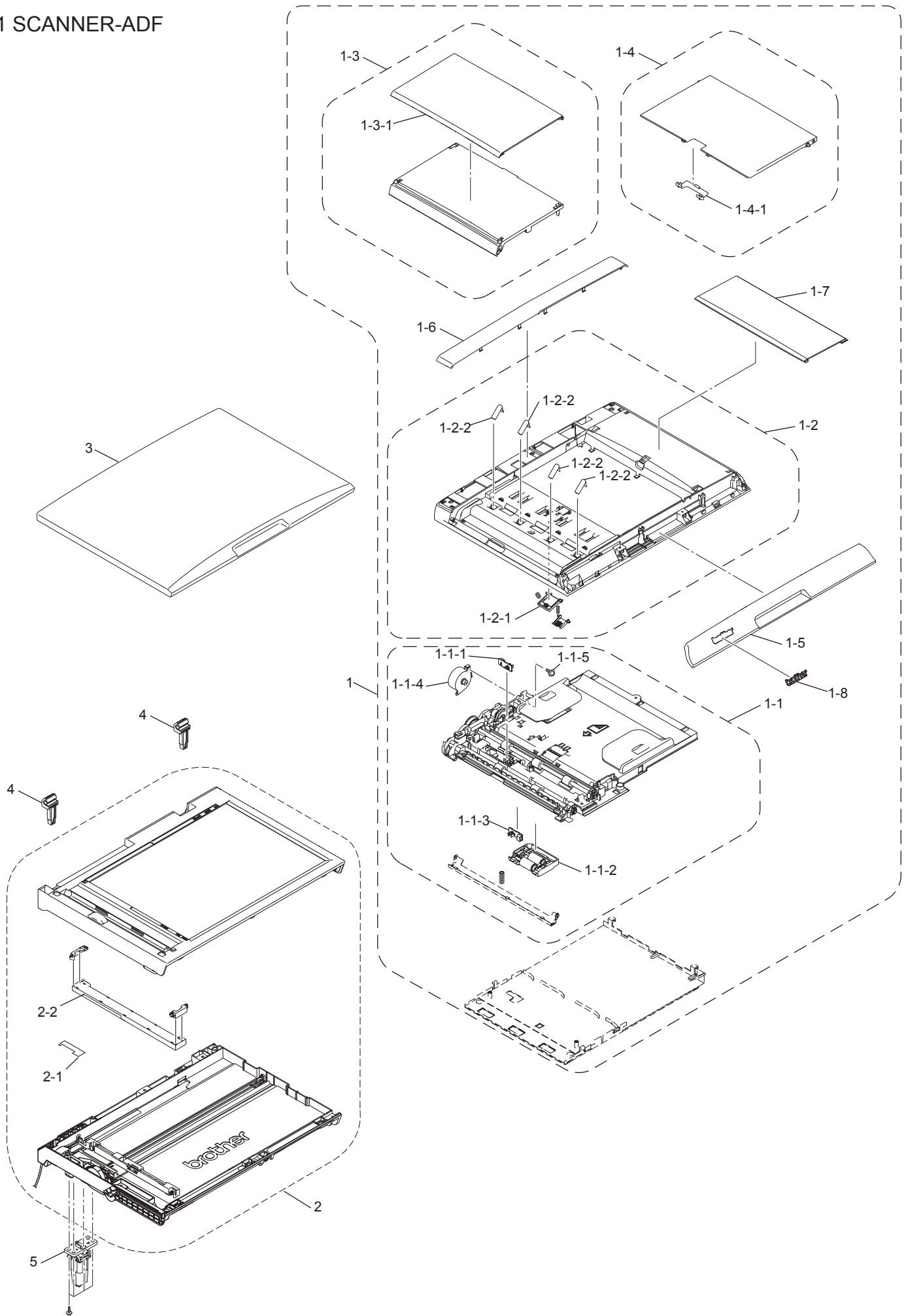
IBERIA (SPAIN & PORTUGAL) ---- IBR

CEE GENERAL ---- CEE

CONTENTS

- 1. SCANNER-ADF 1
- 2. CARTRIDGE CASE 3
- 3. ENGINE 5
- 4. HEAD 7
- 5. PAPER TRAY 9
- 6. COVER 11
- 7. PANEL 13
- 8. PCB 17
- 9. ACCESSORIES 19
- 10. PRINTED MATERIALS 21
- 11. PACKAGING 23
- 12. OTHERS 27

1 SCANNER-ADF

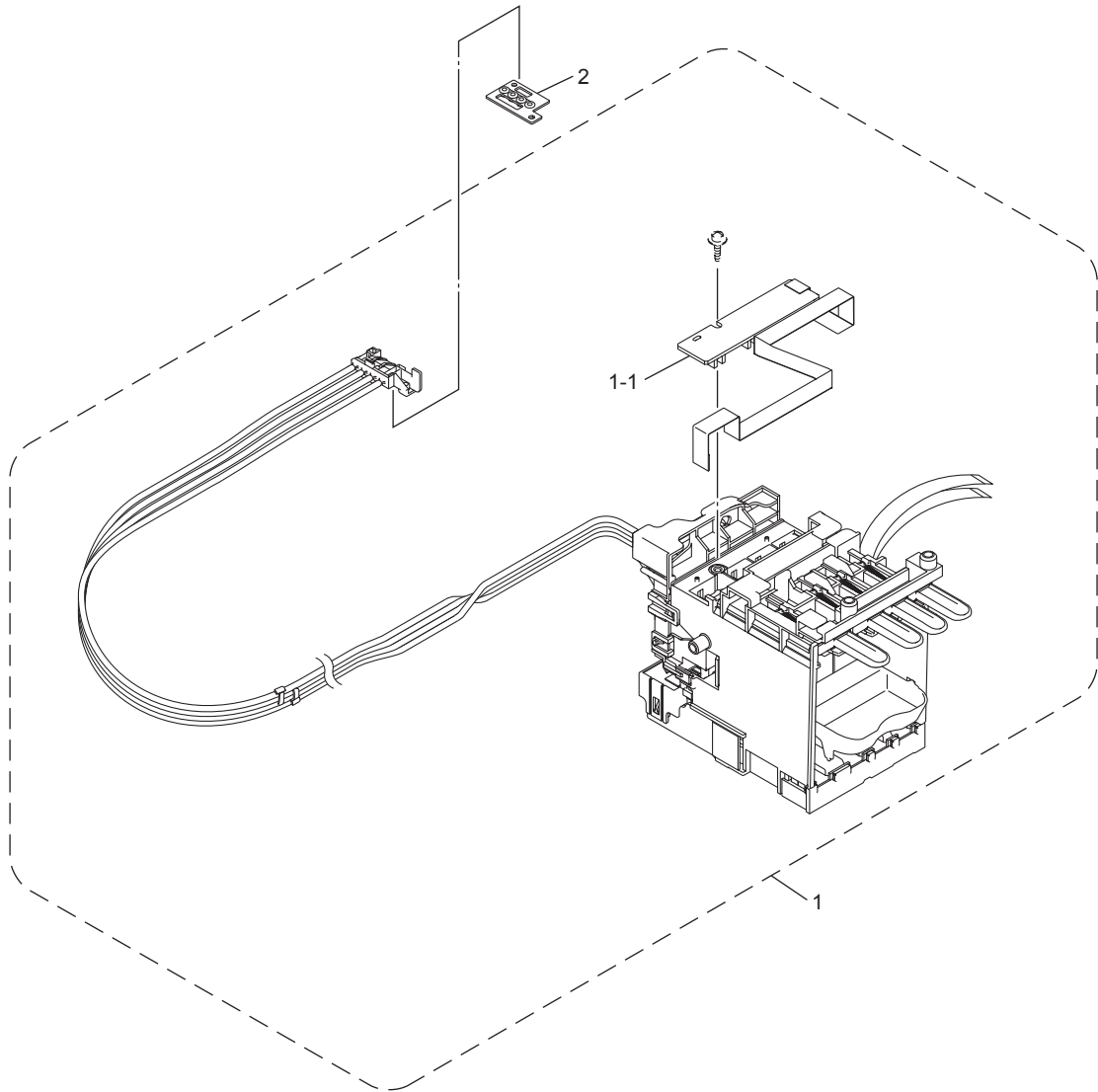


List1(SCANNER-ADF)

REF No.	CODE	Q'TY	DESCRIPTION	SYMBOL	REMARKS
1	LX8790001	1	ADF & DOCUMENT COVER ASSY (SP), DCP-J725DW/MFC-J625DW		
1	LX8915001	1	ADF & DOCUMENT COVER ASSY (SP), DCP-J925DW/MFC-J835DW		
1	LX8913001	1	ADF & DOCUMENT COVER ASSY (SP), MFC-J425W/MFC-J430W/MFC-J432W		
1	LED927001	1	ADF & DOCUMENT COVER ASSY (SP), MFC-J435W		
1	LX8794001	1	ADF & DOCUMENT COVER ASSY (SP), MFC-J825DW		
1-1	LED832001	1	ADF UNIT, DCP-J725DW/DCP-J925DWMFC-J625DW/MFC-J835DW		CHG
1-1	LED798001	1	ADF UNIT, MFC-J425W/MFC-J430W/MFC-J432W/MFC-J435W//MFC-J825DW		ADD
1-1-1	LG6753001	1	DOCUMENT SCANNING POSITION SENSOR PCB ASSY, DCP-J725DW/DCP-J925DW/MFC-J425W/MFC-J430W/MFC-J432W/MFC-J435W/ MFC-J625DW/MFC-J825DW/MFC-J835DW		
1-1-2	LED792001	1	DOCUMENT SEPARATE ROLLER ASSY, DCP-J725DW/DCP-J925DWMFC-J425W/MFC-J430W/MFC-J432W/MFC-J435W/ MFC-J625DW/MFC-J825DW/MFC-J835DW		CHG
1-1-3	LG6753001	1	DOCUMENT DETECTION SENSOR PCB ASSY, DCP-J725DW/DCP-J925DW/MFC-J425W/MFC-J430W/MFC-J432W/MFC-J435W/ MFC-J625DW/MFC-J825DW/MFC-J835DW		
1-1-4	LS4414001	1	ADF MOTOR, DCP-J725DW/DCP-J925DW/MFC-J425W/MFC-J430W/MFC-J432W/MFC-J435W/ MFC-J625DW/MFC-J825DW/MFC-J835DW		
1-1-5	0A5300606	1	SCREW PAN (S/P WASHER) M3X6, DCP-J725DW/DCP-J925DW/MFC-J425W/MFC-J430W/MFC-J432W/MFC-J435W/ MFC-J625DW/MFC-J825DW/MFC-J835DW		
1-2	LX7638001	1	DOCUMENT COVER ASSY, DCP-J725DW/MFC-J435W/MFC-J625DW		
1-2	LX7989001	1	DOCUMENT COVER ASSY, MFC-J425W/MFC-J430W/MFC-J432W		
1-2	LX7451001	1	DOCUMENT COVER ASSY, DCP-J925DW/MFC-J825DW/MFC-J835DW		
1-2-1	LX8482001	1	ADF SEPARATION HOLDER ASSY, DCP-J725DW/DCP-J925DW/MFC-J425W/MFC-J430W/MFC-J432W/MFC-J435W/ MFC-J625DW/MFC-J825DW/MFC-J835DW		
1-2-2	LX8034001	4	EJECTION FILM, DCP-J725DW/DCP-J925DW/MFC-J425W/MFC-J430W/MFC-J432W/MFC-J435W/ MFC-J625DW/MFC-J825DW/MFC-J835DW		
1-3	LX7639001	1	ADF COVER ASSY, DCP-J725DW/MFC-J625DW		
1-3	LX8282001	1	ADF COVER ASSY, DCP-J925DW/MFC-J835DW		
1-3	LX7990001	1	ADF COVER ASSY, MFC-J425W/MFC-J430W/MFC-J432W		
1-3	LX8033001	1	ADF COVER ASSY, MFC-J435W		
1-3	LX7462001	1	ADF COVER ASSY, MFC-J825DW		
1-3-1	LX7465019	1	ADF TOP COVER L, DCP-J925DW/MFC-J825DW/MFC-J835DW		
1-4	LX7467001	1	ADF DOCUMENT SUPPORT, DCP-J725DW/DCP-J925DW/MFC-J425W/MFC-J430W/MFC-J432W/MFC-J435W/ MFC-J625DW/MFC-J825DW/MFC-J835DW		
1-4-1	LX7469019	1	ADF DOCUMENT SUPPORT FLAP, DCP-J725DW/DCP-J925DWMFC-J425W/MFC-J430W/MFC-J432W/MFC-J435W/ MFC-J625DW/MFC-J825DW/MFC-J835DW		
1-5	LX7594007	1	ADF FRONT COVER, DCP-J725DW/MFC-J425W/MFC-J430W/MFC-J432W/ MFC-J435W/MFC-J625DW		
1-5	LX7470007	1	ADF FRONT COVER, DCP-J925DW/MFC-J825DW/MFC-J835DW		
1-6	LX7471007	1	ADF BACK COVER, DCP-J925DW/MFC-J825DW/MFC-J835DW		
1-7	LX7593007	1	ADF TOP COVER R, DCP-J725DW/MFC-J625DW		
1-7	LX7472019	1	ADF TOP COVER R, DCP-J925DWMFC-J825DW/MFC-J835DW		
1-7	LX7891007	1	ADF TOP COVER R, MFC-J435W		
1-8	LX7155001	1	EMBLEM BROTHER, DCP-J725DW/DCP-J925DW/MFC-J425W/MFC-J430W/MFC-J432W/MFC-J435W/ MFC-J625DW/MFC-J825DW/MFC-J835DW		
2	LX8918001	1	DOCUMENT SCANNER UNIT (SP), DCP-J525W/MFC-J280W		
2	LX8744001	1	DOCUMENT SCANNER UNIT (SP), DCP-J725DW/MFC-J625DW		
2	LX8919001	1	DOCUMENT SCANNER UNIT (SP), MFC-J425W/MFC-J430W/MFC-J432W/MFC-J435W		
2	LX8348001	1	DOCUMENT SCANNER UNIT (SP), DCP-J925DW/MFC-J825DW/MFC-J835DW		
2-1	LX8677001	1	FLAT CABLE FIXING FILM		add
2-2	LT1783001	1	CIS UNIT, DCP-J525W/DCP-J725DW/ MFC-J280W/MFC-J425W/MFC-J430W/MFC-J432W/MFC-J435W/MFC-J625DW		add
2-2	LT1446001	1	CIS UNIT, DCP-J925DW/MFC-J825DW/MFC-J835DW		add
3	LX8768001	1	DOCUMENT COVER ASSY (SP), DCP-J525W		
3	LX8770001	1	DOCUMENT COVER ASSY (SP), MFC-J280W		
4	LX7502007	2	ADF HINGE		
5	LX7753001	1	SCANNER HINGE, DCP-J525W/MFC-J280W		
5	LX7346001	1	SCANNER HINGE, DCP-J725DW/DCP-J925DW/MFC-J425W/MFC-J430W/MFC-J432W/MFC-J435W/ MFC-J625DW/MFC-J825DW/MFC-J835DW		

8CAM12/15/17/19
35/37/39/45/47/49DCP-J525W/DCP-J725DW/DCP-J925DW
MFC-J280W/MFC-J425W/MFC-J430W/MFC-J432W/MFC-J435W
MFC-J625DW/MFC-J825DW/MFC-J835DW

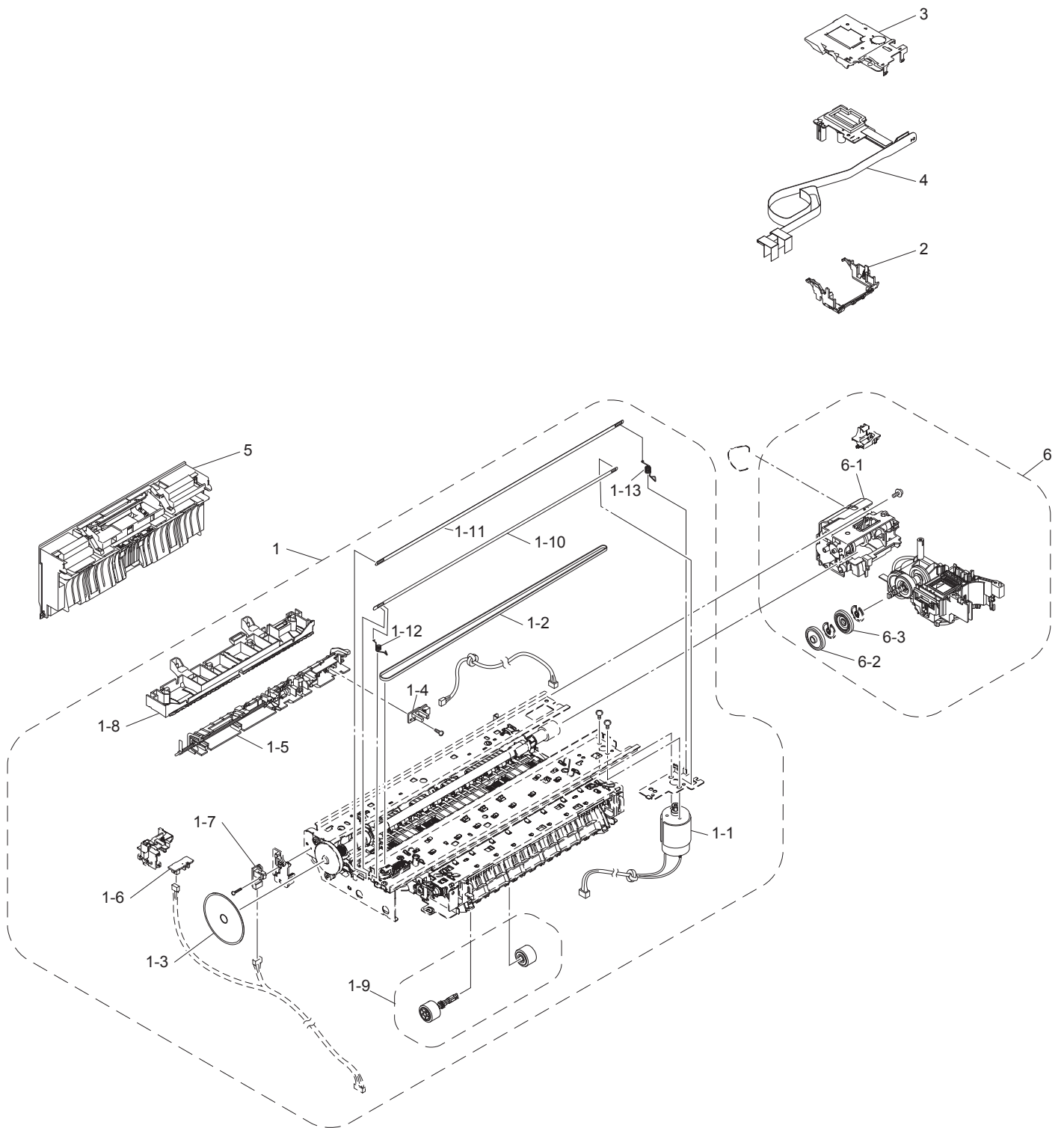
2 CARTRIDGE CASE



List2(CARTRIDGE CASE)

REF No.	CODE	Q'TY	DESCRIPTION	SYMBOL	REMARKS
1	LK6293001	1	INK REFILL ASSY (SP) EXCEPT FOR CHN/IDN		
1	LK6429001	1	INK REFILL ASSY (SP) FOR CHN/IDN		
1-1	LK5919001	1	INK CARTRIDGE DETECTION SENSOR PCB ASSY		
2	LK5793001	1	HEAD JOINT RUBBER (SP)		

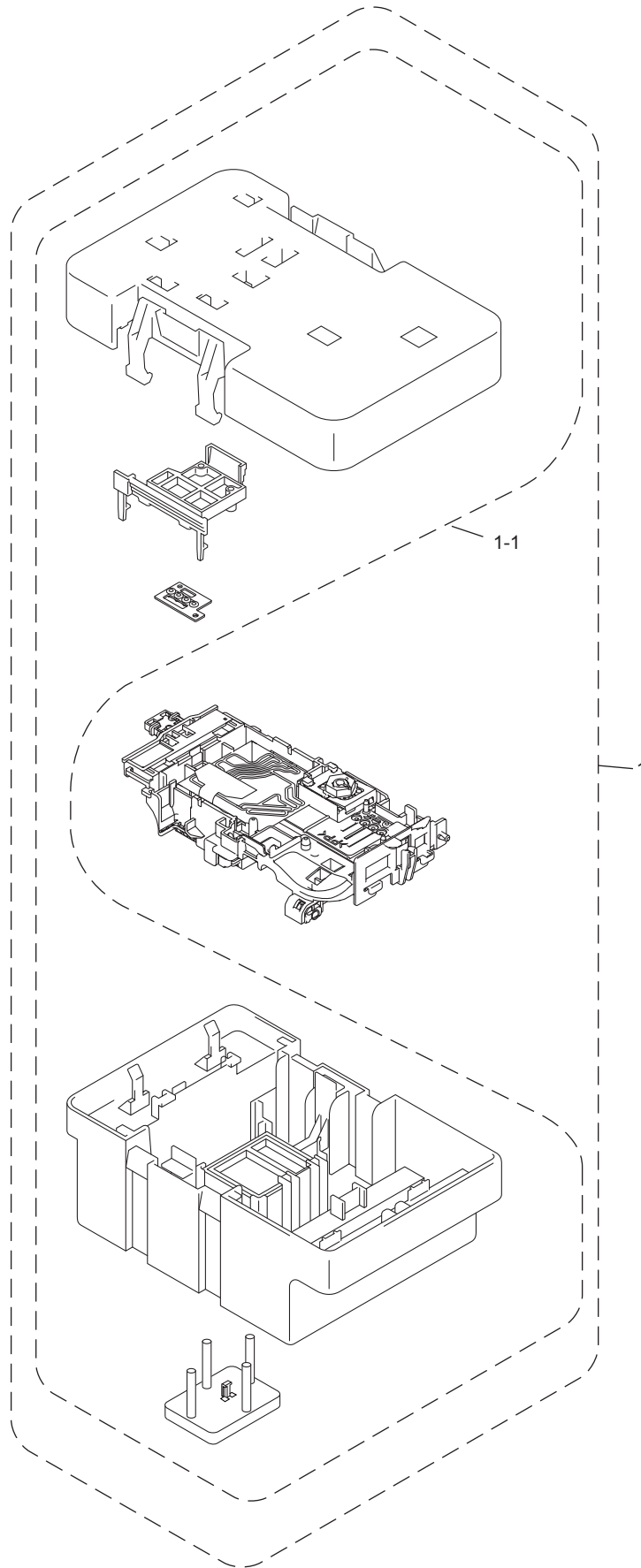
3 ENGINE



List3(ENGINE)

REF No.	CODE	Q'TY	DESCRIPTION	SYMBOL	REMARKS
1	LX8353001	1	ENGINE UNIT (SP), DCP-J525W/ MFC-J280W/MFC-J425W/MFC-J430W/MFC-J432W/MFC-J435W		
1	LX8357001	1	ENGINE UNIT (SP), DCP-J725DW/MFC-J625DW		
1	LX8359001	1	ENGINE UNIT (SP), DCP-J925DW/MFC-J825DW/MFC-J835DW		
1-1	LX6676001	1	CARRIAGE MOTOR		
1-2	LX6677001	1	CR TIMING BELT		
1-3	LP1471001	1	RF ENCODER DISK		
1-4	LT1511001	1	PRESSURE ROLLER RELEASE SENSOR PCB ASSY	B57U104	
1-5	LX6887001	1	INNER CHUTE ASSY, DCP-J525W/MFC-J280W/ MFC-J425W/MFC-J430W/MFC-J432W/MFC-J435W		
1-5	LX6798001	1	INNER CHUTE ASSY, DCP-J725DW/DCP-J925DW/MFC-J625DW/MFC-J825DW/MFC-J835DW		
1-6	LT1507001	1	REGISTRATION SENSOR PCB ASSY	B57U102	
1-7	LT1509001	1	PF ENCODER SENSOR PCB ASSY	B57U103	
1-8	LX6805001	1	CHUTE COVER		
1-9	LX0126001	1	PAPER PULL-IN ROLLER HOLDER ASSY		
1-10	LX6678001	1	CR ENCODER STRIP		
1-11	LEG250001	1	ENCODER STRIP GUARD FILM		CHG
1-12	LX3326001	1	ENCODER STRIP SPRING		
1-13	LX3328001	1	GUARD FILM SPRING		
2	LX8279001	1	LEVELER ROLLER ASSY		chg
3	LX3339001	1	HEAD COVER		
4	LX8340001	1	CARRIAGE PCB ASSY (SP)		
5	LX7090001	1	JAM CLEAR COVER, DCP-J525W/DCP-J725DW/MFC-J280W/ MFC-J425W/MFC-J430W/MFC-J432W/MFC-J435W/MFC-J625DW		
5	LX6806001	1	JAM CLEAR COVER, DCP-J925DW/MFC-J825DW/MFC-J835DW		
6	LX8341001	1	MAINTENANCE UNIT (SP)		
6-1	LX6791001	1	ASF DRIVE ASSY		
6-2	LX6797001	1	ASF SWITCHING GEAR A		
6-3	LX3420001	1	ASF SWITCHING GEAR B		

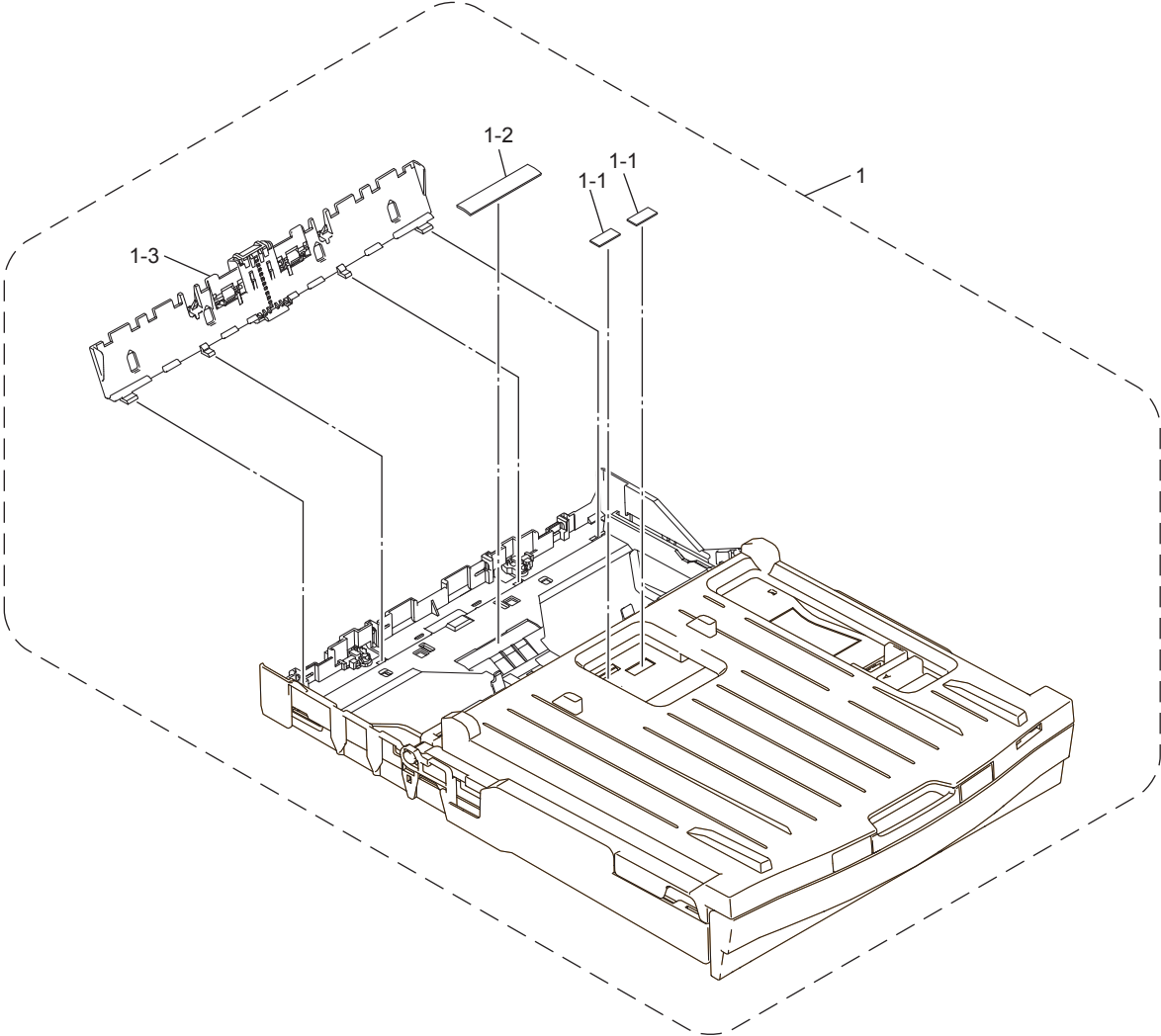
4 HEAD



List4(HEAD)

REF No.	CODE	Q'TY	DESCRIPTION	REMARKS
1	LK6090001	1	HEAD/CARRIAGE UNIT SUPPLY ASSY (SP)	
1-1	LK5391001	1	(without CARRIAGE PCB ASSY) PROTECTOR SUPPLY ASSY (SP)	

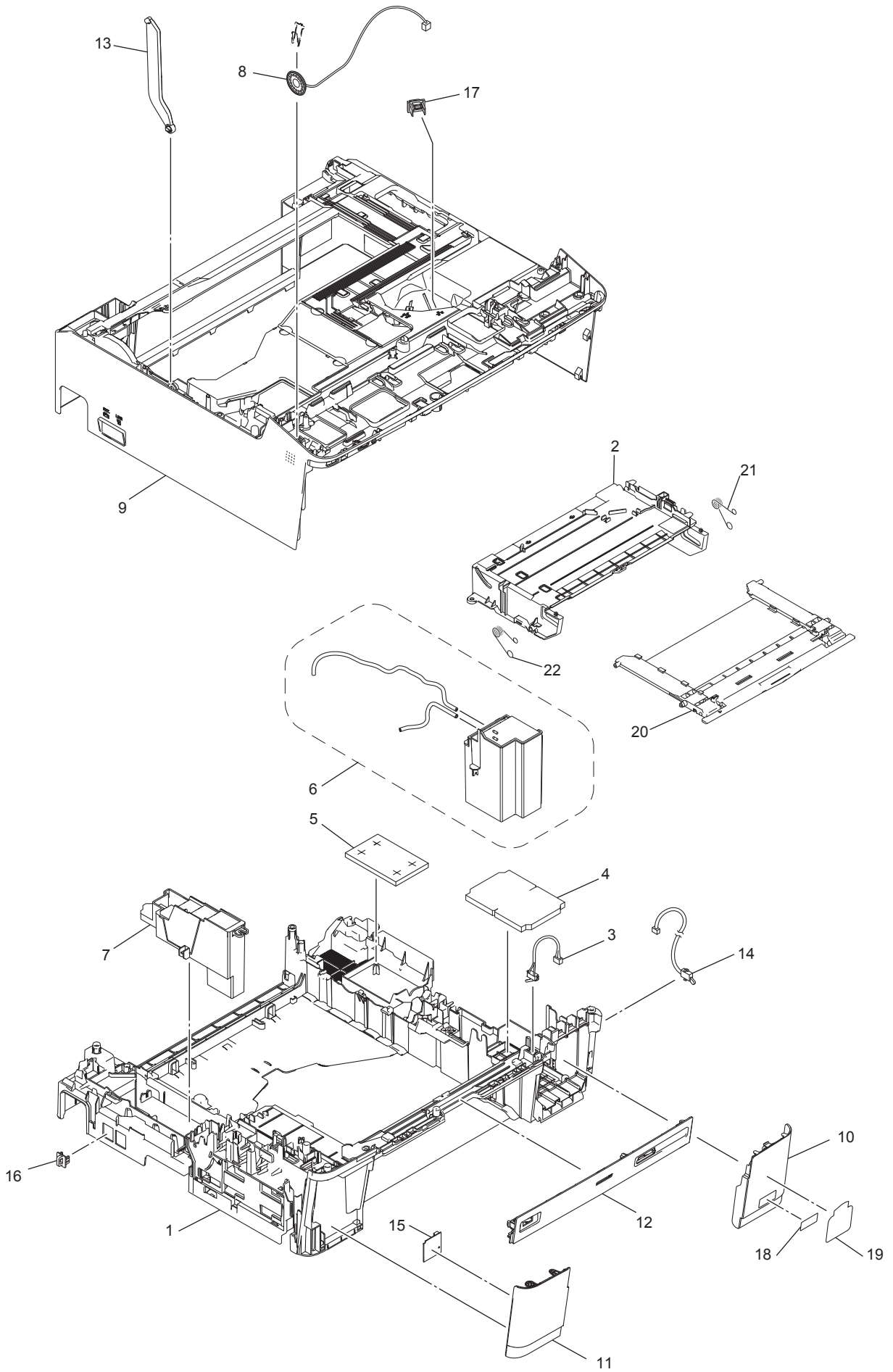
5 PAPER TRAY



List5(PAPER TRAY)

REF No.	CODE	Q'TY	DESCRIPTION	REMARKS
1	LX8752001	1	PAPER TRAY ASSY A4/LGL (SP), MFC-J280W/MFC-J425W/MFC-J430W/MFC-J435W FOR US/CAN/IDN/ARG/CHL/ASA/BRA	
1	LX8751001	1	PAPER TRAY ASSY A4/LGL (SP), DCP-J725DW/MFC-J625DW/MFC-J825DW/MFC-J835DW FOR US/CAN/IDN/ARG/CHL/ASA	
1	LX8173001	1	PAPER TRAY ASSY A4 (SP), DCP-J525W/MFC-J430W/MFC-J432W FOR GER/UK/FRA/BEL/NLD/CHE/AUS/ITA/ISR/CHN/TWN/HK/POL/KOR/RUS/OCE/IBR/PND/CEE	
1	LX8963001	1	PAPER TRAY ASSY A4 (SP), DCP-J725DW/DCP-J925DW/MFC-J625DW/MFC-J825DW FOR GER/UK/FRA/BEL/NLD/CHE/AUS/ITA/ISR/CHN/TWN/HK/POL/KOR/RUS/OCE/PND/IBR/CEE	
1-1	LX6783001	2	PHOTO TRAY BASE PAD, DCP-J725DW/DCP-J925DW/MFC-J625DW/MFC-J825DW/MFC-J835DW	
1-2	LX8701001	1	BASE PAD	
1-3	LX6785001	1	BANK ASSY	

6 COVER



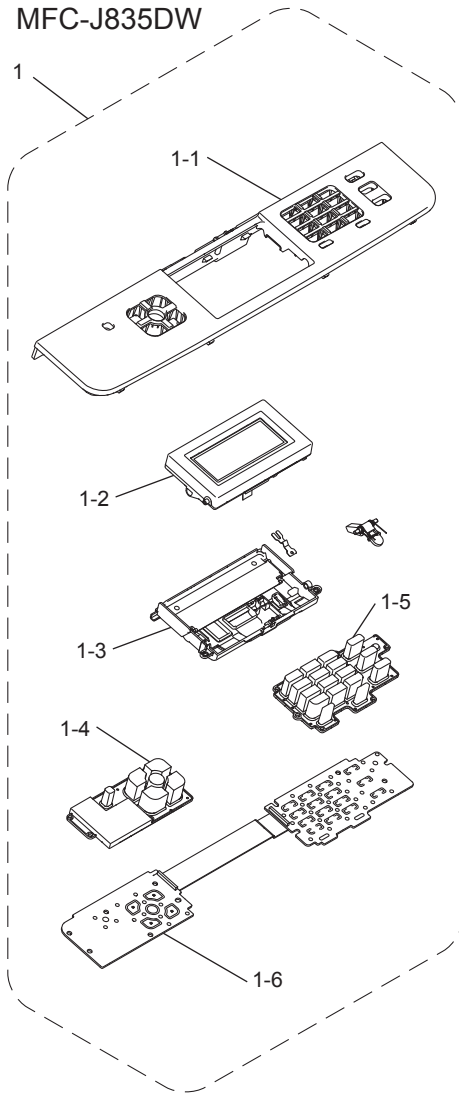
List6(COVER)

REF	CODE	Q'TY	DESCRIPTION	SYMBOL	REMARKS
1	LX7288001	1	LOWER COVER ASSY		
2	LX7290001	1	DISC GUIDE COVER, DCP-J925DW/MFC-J825DW/MFC-J835DW		
3	LT1506001	1	DISC GUIDE SENSOR ASSY, DCP-J925DW/MFC-J825DW/MFC-J835DW		
4	LX7295001	1	INK ABSORBER FELT (INK REFILL UNIT)		
5	LX7296001	1	INK ABSORBER FELT (MAINTENANCE UNIT)		
6	LX8484001	1	INK ABSORBER TUBE ASSY (SP)		
7	LX7303001	1	FLUSHING BOX		
8	LT1497001	1	SPEAKER, DCP-J925DW/MFC-J280W/MFC-J425W/MFC-J430W/MFC-J432W/ MFC-J435W/MFC-J625DW/MFC-J825DW/MFC-J835DW		
9	LX8486001	1	UPPER COVER (SP), DCP-J525W/DCP-J725DW		
9	LX8487001	1	UPPER COVER (SP), DCP-J925DW		
9	LX8488001	1	UPPER COVER (SP), MFC-J280W/MFC-J425W/MFC-J430W/MFC-J432W/ MFC-J435W/MFC-J625DW		
9	LX8485001	1	UPPER COVER (SP), MFC-J825DW/MFC-J835DW		
10	LX7328007	1	INK CARTRIDGE COVER		
11	LX7329007	1	FRONT COVER		
12	LX7338007	1	MEDIA MODULE COVER, DCP-J525W/ MFC-J280W/MFC-J425W/MFC-J430W/MFC-J432W/MFC-J435W		
12	LX7333001	1	MEDIA MODULE COVER, DCP-J725DW/MFC-J625DW		
12	LX7330001	1	MEDIA MODULE COVER, DCP-J925DW/MFC-J825DW/MFC-J835DW		
13	LX7348007	1	SCANNER COVER SUPPORT		
14	LT1549001	1	INK CARTRIDGE COVER SENSOR ASSY		
15	LT2155001	1	WIRELESS LAN PCB, MFC-J425W/MFC-J430W/MFC-J435W FOR US/CAN, MFC-J825DW/MFC-J835DW FOR US*1/CAN		CHG
15	LT1988001	1	WIRELESS LAN PCB, MFC-J825DW/MFC-J835DW FOR US*1		
15	LT2150001	1	WIRELESS LAN PCB, MFC-J430W/MFC-J825DW EXCEPT FOR US, DCP-J525W/DCP-J725DW/DCP-J925DW/ MFC-J280W/MFC-J432W/MFC-J625DW FOR ALL COUNTRIES		chg
16	LE8842001	1	EXT CAP, MFC-J280W/MFC-J425W/MFC-J430W/MFC-J432W/MFC-J435W/ MFC-J625DW/MFC-J825DW/MFC-J835DW FOR US/CAN/NLD/CHE/ISR/CHN/TWN/HK/IDN/ARG/CHL/POL/ASA/BRA/ KOR/RUS/OCE/PND/IBR/CEE		
16	UF5745000	1	MJ COVER EXT, MFC-J430W/MFC-J625DW/MFC-J825DW FOR GER/UK/FRA/BEL/AUS/ITA		
17	LY0872001	1	LAN PORT CAP, DCP-J925DW/MFC-J825DW/MFC-J835DW		
18	LX3721001	1	INNOBELLA LABEL FOR US		
18	LX3722001	1	INNOBELLA LABEL EXCEPT FOR US		
19	LX8237001	1	INK GENUINE LABEL FOR US		
19	LX8256001	1	INK GENUINE LABEL FOR CAN		
19	LX8245001	1	INK GENUINE LABEL FOR GER/UK/FRA/BEL/NLD/CHE/AUS/ITA/ISR/POL/RUS/PND/IBR/CEE		
19	LED698001	1	INK GENUINE LABEL FOR TWN		
19	LX8674001	1	INK GENUINE LABEL FOR HK/ASA/KOR/OCE		
19	LED623001	1	INK GENUINE LABEL FOR ARG/CHL/BRA		
20	LX6755001	1	DISC GUIDE, DCP-J925DW/MFC-J825DW/MFC-J835DW		
21	LX6758001	1	DISC GUIDE SPRING R, DCP-J925DW/MFC-J825DW/MFC-J835DW		chg
22	LX6759001	1	DISC GUIDE SPRING L, DCP-J925DW/MFC-J825DW/MFC-J835DW		

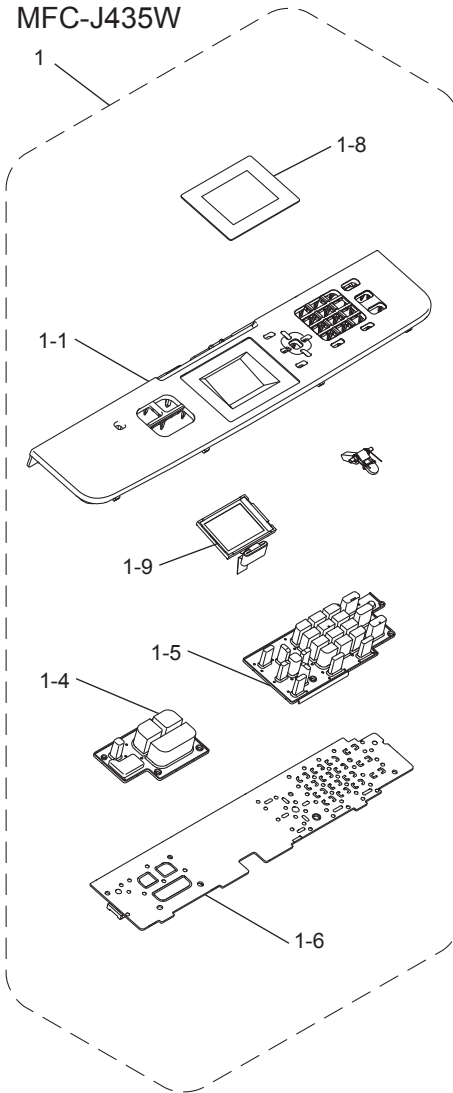
*1There are two types of WIRELESS LAN PCB, MFC-J825DW/MFC-J835DW FOR US you can order.
You can identify which WIRELESS LAN PCB on the above list to be attached by the Rating Label on the machine.
For details, please refer to the Parts Change Information: 1000026214.

7 Panel

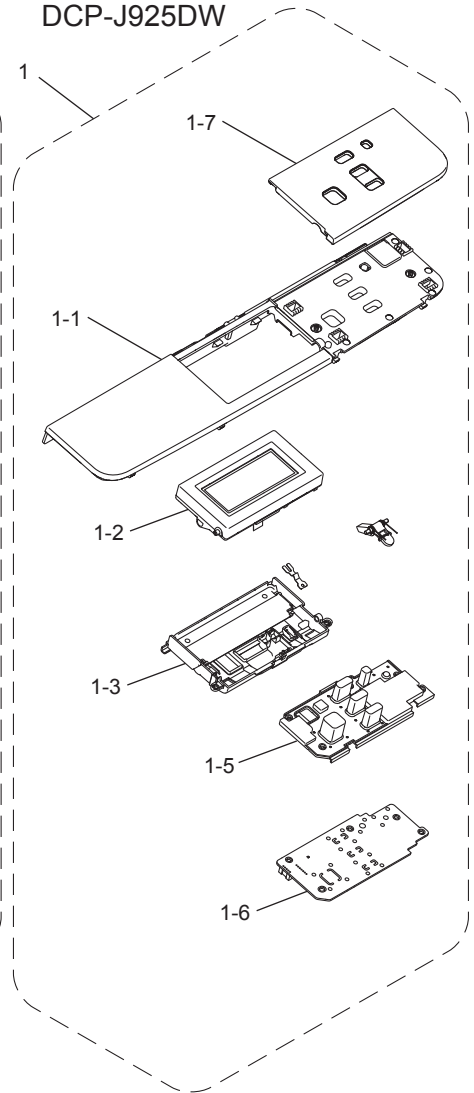
MFC-J280W
MFC-J625DW
MFC-J825DW
MFC-J835DW



MFC-J425W
MFC-J430W
MFC-J432W
MFC-J435W



DCP-J525W
DCP-J725DW
DCP-J925DW



List7(PANEL)

REF	CODE	Q'TY	DESCRIPTION	SYMBOL	REMARKS
1	LX7764001	1	CONTROL PANEL ASSY, MFC-J280W FOR US/CAN		
1	LX8936001	1	CONTROL PANEL ASSY, MFC-J425W FOR US/CAN		
1	LX7999001	1	CONTROL PANEL ASSY, MFC-J430W FOR US/CAN		
1	LX8896001	1	CONTROL PANEL ASSY, MFC-J435W FOR US/CAN		
1	LX7648001	1	CONTROL PANEL ASSY, MFC-J625DW FOR US/CAN		
1	LX7532001	1	CONTROL PANEL ASSY, MFC-J825DW FOR US/CAN		
1	LX8551001	1	CONTROL PANEL ASSY, MFC-J835DW FOR US/CAN		
1	LX8557001	1	CONTROL PANEL ASSY, DCP-J525W FOR GER		
1	LX8586001	1	CONTROL PANEL ASSY, DCP-J725DW FOR GER		
1	LX8511001	1	CONTROL PANEL ASSY, DCP-J925DW FOR GER		
1	LX8692001	1	CONTROL PANEL ASSY, MFC-J430W FOR GER/AUS		
1	LX8626001	1	CONTROL PANEL ASSY, MFC-J625DW FOR GER/AUS		
1	LX8462001	1	CONTROL PANEL ASSY, MFC-J825DW FOR GER/AUS		
1	LX7766001	1	CONTROL PANEL ASSY, DCP-J525W FOR UK/OCE/PND		
1	LX7651001	1	CONTROL PANEL ASSY, DCP-J725DW FOR UK/IDN/ASA/OCE/PND		
1	LX7535001	1	CONTROL PANEL ASSY, DCP-J925DW FOR UK/OCE/PND		
1	LX8001001	1	CONTROL PANEL ASSY, MFC-J430W FOR UK/BEL/CHE/ISR/CEE		
1	LX8099001	1	CONTROL PANEL ASSY, MFC-J625DW FOR UK/BEL/ISR/CEE		
1	LX7953001	1	CONTROL PANEL ASSY, MFC-J825DW FOR UK/BEL/CHE		
1	LX8566001	1	CONTROL PANEL ASSY, DCP-J525W FOR FRA/CHE/CEE		
1	LX8590001	1	CONTROL PANEL ASSY, DCP-J725DW FOR FRA/CHE/CEE		
1	LX8520001	1	CONTROL PANEL ASSY, DCP-J925DW FOR FRA/CHE/CEE		
1	LX8699001	1	CONTROL PANEL ASSY, MFC-J430W FOR FRA		
1	LX8631001	1	CONTROL PANEL ASSY, MFC-J625DW FOR FRA		
1	LX8464001	1	CONTROL PANEL ASSY, MFC-J825DW FOR FRA		
1	LX8863001	1	CONTROL PANEL ASSY, MFC-J430W FOR NLD		
1	LX8774001	1	CONTROL PANEL ASSY, MFC-J625DW FOR NLD		
1	LX8727001	1	CONTROL PANEL ASSY, MFC-J825DW FOR NLD		
1	LX8576001	1	CONTROL PANEL ASSY, DCP-J525W FOR ITA		
1	LX8531001	1	CONTROL PANEL ASSY, DCP-J925DW FOR ITA		
1	LX8705001	1	CONTROL PANEL ASSY, MFC-J430W FOR ITA		
1	LX8639001	1	CONTROL PANEL ASSY, MFC-J625DW FOR ITA		
1	LX8466001	1	CONTROL PANEL ASSY, MFC-J825DW FOR ITA		
1	LED873001	1	CONTROL PANEL ASSY, MFC-J430W FOR CHN		
1	LED930001	1	CONTROL PANEL ASSY, MFC-J625DW FOR CHN		
1	LED784001	1	CONTROL PANEL ASSY, MFC-J825DW FOR CHN		
1	LX8994001	1	CONTROL PANEL ASSY, MFC-J825DW FOR TWN/HK		
1	LED687001	1	CONTROL PANEL ASSY, MFC-J430W FOR TWN/HK		
1	LED634001	1	CONTROL PANEL ASSY, MFC-J625DW FOR TWN/HK		
1	LED037001	1	CONTROL PANEL ASSY, MFC-J430W/MFC-J432W FOR IDN/ASA/OCE		
1	LX8983001	1	CONTROL PANEL ASSY, MFC-J625DW FOR IDN/ASA/OCE		
1	LED647001	1	CONTROL PANEL ASSY, MFC-J430W FOR ARG/CHL		
1	LED624001	1	CONTROL PANEL ASSY, MFC-J825DW FOR ARG/CHL		
1	LX8885001	1	CONTROL PANEL ASSY, MFC-J430W FOR POL		
1	LX8796001	1	CONTROL PANEL ASSY, MFC-J625DW FOR POL		
1	LX8733001	1	CONTROL PANEL ASSY, MFC-J825DW FOR POL		
1	LX8685001	1	CONTROL PANEL ASSY, MFC-J825DW FOR ASA/OCE		
1	LED751001	1	CONTROL PANEL ASSY, MFC-J430W FOR BRA		
1	LED800001	1	CONTROL PANEL ASSY, MFC-J430W FOR KOR		
1	LED856001	1	CONTROL PANEL ASSY, MFC-J625DW FOR KOR		
1	LED629001	1	CONTROL PANEL ASSY, MFC-J825DW FOR KOR		
1	LX8967001	1	CONTROL PANEL ASSY, DCP-J525W FOR RUS		
1	LED641001	1	CONTROL PANEL ASSY, MFC-J430W FOR RUS		
1	LX8802001	1	CONTROL PANEL ASSY, MFC-J825DW FOR RUS		
1	LED044001	1	CONTROL PANEL ASSY, MFC-J432W FOR OCE		
1	LX8888001	1	CONTROL PANEL ASSY, MFC-J430W FOR PND		
1	LX8809001	1	CONTROL PANEL ASSY, MFC-J625DW FOR PND		
1	LX8582001	1	CONTROL PANEL ASSY, DCP-J525W FOR IBR		
1	LX8593001	1	CONTROL PANEL ASSY, DCP-J725DW FOR IBR		
1	LX8536001	1	CONTROL PANEL ASSY, DCP-J925DW FOR IBR		
1	LX8709001	1	CONTROL PANEL ASSY, MFC-J430W FOR IBR		
1	LX8643001	1	CONTROL PANEL ASSY, MFC-J625DW FOR IBR		
1	LX8468001	1	CONTROL PANEL ASSY, MFC-J825DW FOR IBR		
1-1	LX7405001	1	CONTROL PANEL BASE, DCP-J525W		
1-1	LX7401001	1	CONTROL PANEL BASE, DCP-J725DW		
1-1	LX7385001	1	CONTROL PANEL BASE, DCP-J925DW		
1-1	LX7407001	1	CONTROL PANEL BASE, MFC-J280W FOR US/CAN		
1-1	LX7412001	1	CONTROL PANEL BASE, MFC-J425W/MFC-J430W/MFC-J435W FOR US/CAN		
1-1	LX7393001	1	CONTROL PANEL BASE, MFC-J625DW FOR US/CAN		
1-1	LX7374001	1	CONTROL PANEL BASE, MFC-J825DW/MFC-J835DW FOR US/CAN		
1-1	LX8693001	1	CONTROL PANEL BASE, MFC-J430W FOR GER/AUS		
1-1	LX8627001	1	CONTROL PANEL BASE, MFC-J625DW FOR GER/AUS		
1-1	LX8463001	1	CONTROL PANEL BASE, MFC-J825DW FOR GER/AUS		

DCP-J525W/DCP-J725DW/DCP-J925DW

MFC-J280W/MFC-J425W/MFC-J430W/MFC-J432W/MFC-J435W

MFC-J625DW/MFC-J825DW/MFC-J835DW

8CAM12/15/17/19
35/37/39/45/47/49

List7(PANEL)

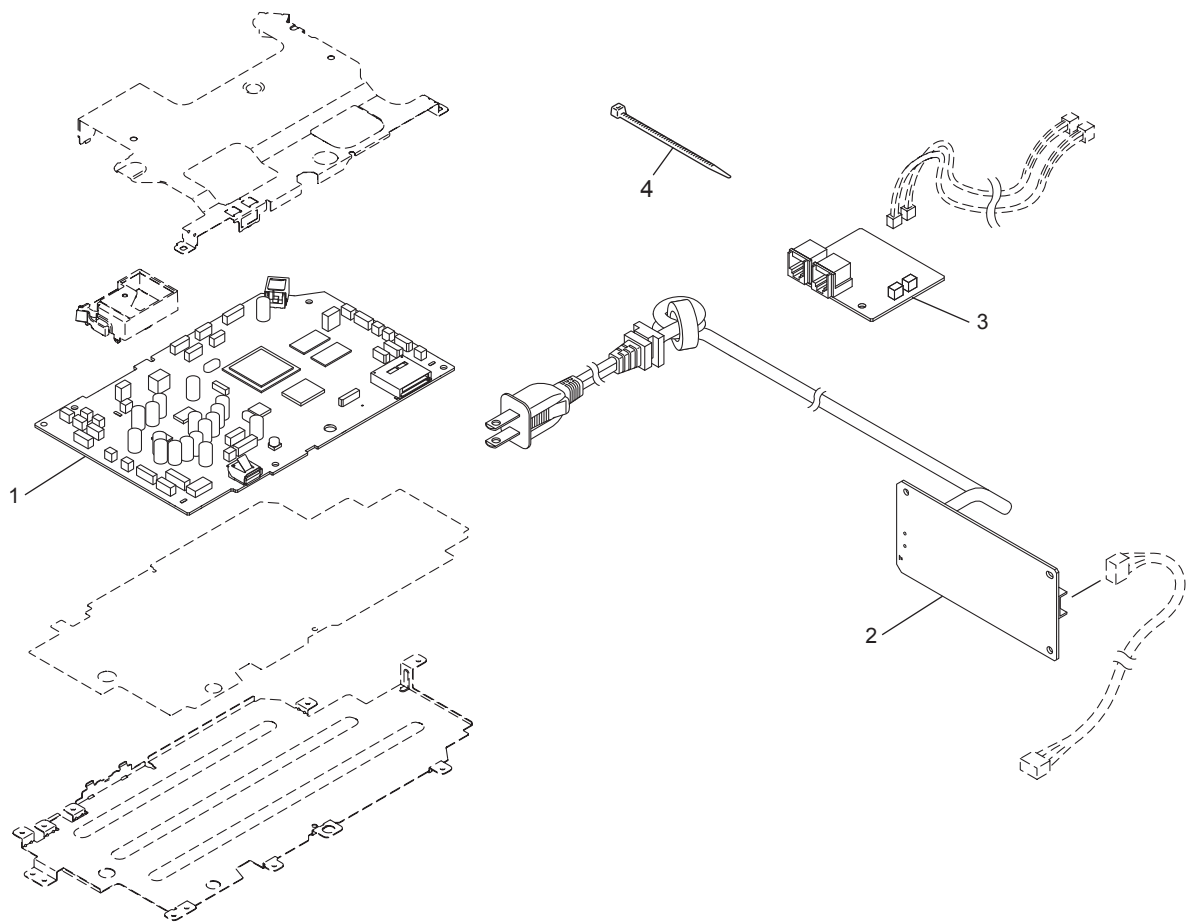
REF	CODE	Q'TY	DESCRIPTION	SYMBOL	REMARKS
1-1	LX8002001	1	CONTROL PANEL BASE, MFC-J430W FOR UK/BEL/CHE/ISR/CEE		
1-1	LX7861001	1	CONTROL PANEL BASE, MFC-J625DW FOR UK/BEL/ISR/CEE		
1-1	LX7860001	1	CONTROL PANEL BASE, MFC-J825DW FOR UK/BEL/CHE		
1-1	LX8700001	1	CONTROL PANEL BASE, MFC-J430W FOR FRA		
1-1	LX8635001	1	CONTROL PANEL BASE, MFC-J625DW FOR FRA		
1-1	LX8465001	1	CONTROL PANEL BASE, MFC-J825DW FOR FRA		
1-1	LX8864001	1	CONTROL PANEL BASE, MFC-J430W FOR NLD		
1-1	LX8775001	1	CONTROL PANEL BASE, MFC-J625DW FOR NLD		
1-1	LX8728001	1	CONTROL PANEL BASE, MFC-J825DW FOR NLD		
1-1	LX8706001	1	CONTROL PANEL BASE, MFC-J430W FOR ITA		
1-1	LX8640001	1	CONTROL PANEL BASE, MFC-J625DW FOR ITA		
1-1	LX8467001	1	CONTROL PANEL BASE, MFC-J825DW FOR ITA		
1-1	LED874001	1	CONTROL PANEL BASE, MFC-J430W FOR CHN		
1-1	LED931001	1	CONTROL PANEL BASE, MFC-J625DW FOR CHN		
1-1	LED785001	1	CONTROL PANEL BASE, MFC-J825DW FOR CHN		
1-1	LED688001	1	CONTROL PANEL BASE, MFC-J430W FOR TWN/HK		
1-1	LED635001	1	CONTROL PANEL BASE, MFC-J625DW FOR TWN/HK		
1-1	LX8995001	1	CONTROL PANEL BASE, MFC-J825DW FOR TWN/HK		
1-1	LED038001	1	CONTROL PANEL BASE, MFC-J430W/MFC-J432W FOR IDN/ASA/OCE		
1-1	LX8984001	1	CONTROL PANEL BASE, MFC-J625DW FOR IDN/ASA/OCE		
1-1	LED648001	1	CONTROL PANEL BASE, MFC-J430W FOR ARG/CHL		
1-1	LED625001	1	CONTROL PANEL BASE, MFC-J825DW FOR ARG/CHL		
1-1	LX8886001	1	CONTROL PANEL BASE, MFC-J430W FOR POL		
1-1	LX8799001	1	CONTROL PANEL BASE, MFC-J625DW FOR POL		
1-1	LX8734001	1	CONTROL PANEL BASE, MFC-J825DW FOR POL		
1-1	LX8686001	1	CONTROL PANEL BASE, MFC-J825DW FOR ASA/OCE		
1-1	LED752001	1	CONTROL PANEL BASE, MFC-J430W FOR BRA		
1-1	LED801001	1	CONTROL PANEL BASE, MFC-J430W FOR KOR		
1-1	LED857001	1	CONTROL PANEL BASE, MFC-J625DW FOR KOR		
1-1	LED630001	1	CONTROL PANEL BASE, MFC-J825DW FOR KOR		
1-1	LED642001	1	CONTROL PANEL BASE, MFC-J430W FOR RUS		
1-1	LX8803001	1	CONTROL PANEL BASE, MFC-J825DW FOR RUS		
1-1	LX8889001	1	CONTROL PANEL BASE, MFC-J430W FOR PND		
1-1	LX8810001	1	CONTROL PANEL BASE, MFC-J625DW FOR PND		
1-1	LX8710001	1	CONTROL PANEL BASE, MFC-J430W FOR IBR		
1-1	LX8644001	1	CONTROL PANEL BASE, MFC-J625DW FOR IBR		
1-1	LX8469001	1	CONTROL PANEL BASE, MFC-J825DW FOR IBR		
1-2	LX7652001	1	LCD UNIT ASSY, DCP-J525W/DCP-J725DW		
1-2	LX7536001	1	LCD UNIT ASSY, DCP-J925DW		
1-2	LX7765001	1	LCD UNIT ASSY, MFC-J280W		
1-2	LX7649001	1	LCD UNIT ASSY, MFC-J625DW		
1-2	LX7533001	1	LCD UNIT ASSY, MFC-J825DW		
1-2	LX8552001	1	LCD UNIT ASSY, MFC-J835DW		
1-3	LX7380007	1	PANEL LOWER COVER, DCP-J525W/DCP-J725DW/DCP-J925DW/MFC-J280W/ MFC-J625DW/MFC-J825DW/MFC-J835DW		
1-4	LX7410001	1	RUBBER KEY L, MFC-J280W		
1-4	LX7414001	1	RUBBER KEY L, MFC-J425W/MFC-J430W/MFC-J432W/MFC-J435W		
1-4	LX8231001	1	RUBBER KEY L, MFC-J625DW		
1-4	LX7381001	1	RUBBER KEY L, MFC-J825DW/MFC-J835DW		
1-5	LX7388001	1	RUBBER KEY PAD, DCP-J525W/DCP-J725DW/DCP-J925DW		
1-5	LX7416001	1	RUBBER KEY R, MFC-J425W/MFC-J430W/MFC-J432W/MFC-J435W		
1-5	LX7383001	1	RUBBER KEY R, MFC-J280W/MFC-J625DW/MFC-J825DW/MFC-J835DW		
1-6	LT1460002	1	PANEL PCB ASSY, DCP-J525W/DCP-J725DW	B57U089	
1-6	LT1460001	1	PANEL PCB ASSY, DCP-J925DW	B57U089	
1-6	LT1462001	1	PANEL PCB ASSY, MFC-J425W/MFC-J430W/MFC-J432W/MFC-J435W	B57U090	
1-6	LT1449002	1	PANEL PCB ASSY, MFC-J280W/MFC-J625DW	B57U087	
1-6	LT1449001	1	PANEL PCB ASSY, MFC-J825DW/MFC-J835DW	B57U087	
1-7	LX8776001	1	EX PANEL PLATE, DCP-J525W/DCP-J725DW FOR GER/CHE (GERMAN)		
1-7	LX8716001	1	EX PANEL PLATE, DCP-J925DW FOR GER/CHE (GERMAN)		
1-7	LX8969001	1	EX PANEL PLATE, DCP-J525W/DCP-J725DW FOR UK/IDN/ASA/OCE/PND/CEE (ENGLISH)		
1-7	LX8814001	1	EX PANEL PLATE, DCP-J925DW FOR UK/OCE/PND/CEE (ENGLISH)		
1-7	LX8567001	1	EX PANEL PLATE, DCP-J525W/DCP-J725DW FOR FRA/CHE (FRENCH)		
1-7	LX8521001	1	EX PANEL PLATE, DCP-J925DW FOR FRA/CHE (FRENCH)		
1-7	LX8569001	1	EX PANEL PLATE, DCP-J525W/DCP-J725DW FOR FRA (DUTCH)		
1-7	LX8524001	1	EX PANEL PLATE, DCP-J925DW FOR FRA (DUTCH)		
1-7	LX8577001	1	EX PANEL PLATE, DCP-J525W FOR ITA		
1-7	LX8532001	1	EX PANEL PLATE, DCP-J925DW FOR ITA		
1-7	LX8968001	1	EX PANEL PLATE, DCP-J525W FOR RUS		
4-7	LX7403004	4	EX PANEL PLATE, DCP-J525W/DCP-J725DW FOR IDN/ASA/OCE		DEL
4-7	LX7391004	4	EX PANEL PLATE, DCP-J925DW FOR OCE		DEL
1-7	LX8583001	1	EX PANEL PLATE, DCP-J525W/DCP-J725DW FOR IBR		
1-7	LX8537001	1	EX PANEL PLATE, DCP-J925DW FOR IBR		

8CAM12/15/17/19
35/37/39/45/47/49DCP-J525W/DCP-J725DW/DCP-J925DW
MFC-J280W/MFC-J425W/MFC-J430W/MFC-J432W/MFC-J435W
MFC-J625DW/MFC-J825DW/MFC-J835DW

List7(PANEL)

REF	CODE	Q'TY	DESCRIPTION	SYMBOL	REMARKS
1-7	LX8971001	1	EX PANEL PLATE, DCP-J525W/DCP-J725DW FOR CEE (POLISH)		
1-7	LX8816001	1	EX PANEL PLATE, DCP-J925DW FOR CEE (POLISH)		
1-8	LX8937001	1	PRINTED LCD SHEET, MFC-J425W		
1-8	LX7418001	1	PRINTED LCD SHEET, MFC-J430W		
1-8	LED045001	1	PRINTED LCD SHEET, MFC-J432W		
1-8	LX8680001	1	PRINTED LCD SHEET, MFC-J435W		
1-9	A63045001	1	LCD, MFC-J425W/MFC-J430W/MFC-J432W/MFC-J435W		

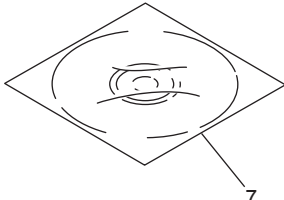
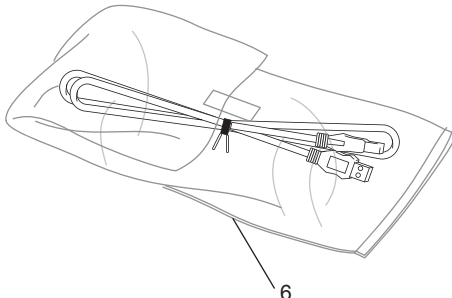
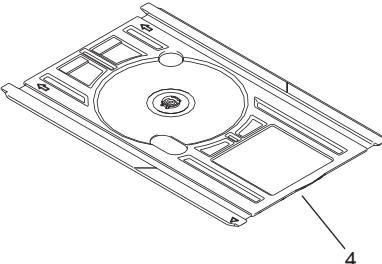
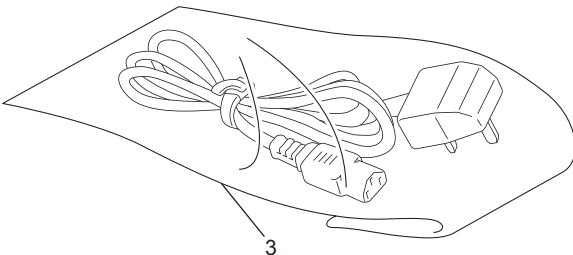
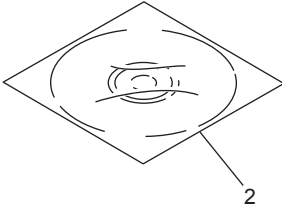
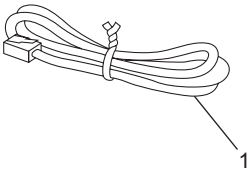
8 PCB



List8(PCB)

REF	CODE	Q'TY	DESCRIPTION	SYMBOL	REMARKS
1	LT1484001	1	MAIN PCB ASSY, DCP-J525W	B57U082	
1	LT1485011	1	MAIN PCB ASSY, DCP-J725DW	B57U082	
1	LT1477003	1	MAIN PCB ASSY, DCP-J925DW	B57U081	
1	LT1486021	1	MAIN PCB ASSY, MFC-J280W	B57U082	
1	LT1487031	1	MAIN PCB ASSY, MFC-J425W/MFC-J430W/MFC-J432W/MFC-J435W	B57U082	
1	LT1489051	1	MAIN PCB ASSY, MFC-J625DW	B57U082	
1	LT1478011	1	MAIN PCB ASSY, MFC-J825DW/MFC-J835DW EXCEPT FOR CHN	B57U081	
1	LT2206015	1	MAIN PCB ASSY, MFC-J825DW FOR CHN	B57U081	
2	LT1980001	1	POWER SUPPLY PCB ASSY, MFC-J280W/MFC-J425W/MFC-J430W/MFC-J435W/MFC-J625DW FOR US/CAN		
2	LT1531001	1	POWER SUPPLY PCB ASSY, MFC-J825DW/MFC-J835DW FOR US/CAN		
2	LT1552001	1	POWER SUPPLY PCB ASSY, DCP-J525W/DCP-J725DW/DCP-J925DW/MFC-J430W/MFC-J432W/ MFC-J625DW/MFC-J825DW FOR GER/UK/FRA/BEL/NLD/ CHE/AUS/ITA/ISR/HK/ARG/CHL/POL/ASA/KOR/OCE/PND/IBR/CEE		
2	LT2067001	1	POWER SUPPLY PCB ASSY, MFC-J825DW FOR TWN		
2	LT1822001	1	POWER SUPPLY PCB ASSY, DCP-J725DW/MFC-J430W/MFC-J625DW/ MFC-J825DW FOR CHN/IDN		
2	LT2068001	1	POWER SUPPLY PCB ASSY, MFC-J430W/MFC-J625DW FOR TWN		
2	LT1876001	1	POWER SUPPLY PCB ASSY, DCP-J525W/MFC-J430W/MFC-J825DW FOR RUS		
2	LT2353001	1	POWER SUPPLY PCB ASSY, MFC-J430W FOR BRA		
3	LT1335001	1	MJ PCB ASSY, MFC-J280W/MFC-J425W/MFC-J430W/MFC-J432W/ MFC-J435W/MFC-J625DW/MFC-J825DW/MFC-J835DW FOR US/CAN/CHN/TWN/HK/IDN/ARG/CHL/ASA/BRA/OCE	B57U077	
3	LT1335004	1	MJ PCB, MFC-J430W/MFC-J625DW/MFC-J825DW FOR GER/UK/FRA/BEL/NLD/CHE/AUS/ITA/ISR/POL/RUS/PND/IBR/CEE	B57U077	
3	LT1335044	1	MJ PCB, MFC-J430W/MFC-J625DW/MFC-J825DW FOR BRA/KOR	B57U077	
4	LX8742001	1	AC CORD HOLDER BAND, MFC-J430W/MFC-J435W/MFC-J625DW FOR US/CAN		

9 ACCESSORIES



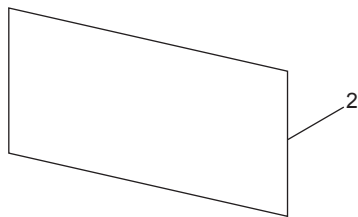
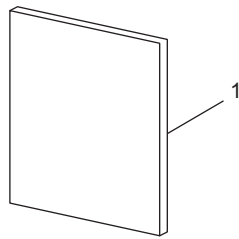
List9(Accessories)

REF No.	CODE	Q'TY	DESCRIPTION	REMARKS
1	LG3077001	1	TELEPHONE LINE CORD, MFC-J280W/MFC-J425W/MFC-J430W/MFC-J432W/MFC-J435W/MFC-J625DW/MFC-J825DW/ MFC-J835DW FOR US/CAN/UK/NLD/ISR/CHN/TWN/IDN/ARG/CHL/POL/ASA/BRA/KOR/ RUS/OCE/IBR/CEE	
1	UG3625001	1	TELEPHONE LINE CORD, MFC-J430W/MFC-J625DW/MFC-J825DW FOR GER	
1	UG3626001	1	TELEPHONE LINE CORD, MFC-J430W/MFC-J625DW/MFC-J825DW FOR UK	
1	UG3627001	1	TELEPHONE LINE CORD, MFC-J430W/MFC-J625DW/MFC-J825DW FOR FRA	
1	UG1575001	1	TELEPHONE LINE CORD, MFC-J430W/MFC-J625DW/MFC-J825DW FOR BEL	
1	LG7202001	1	TELEPHONE LINE CORD, MFC-J430W/MFC-J825DW FOR CHE	
1	UG4205001	1	TELEPHONE LINE CORD, MFC-J430W/MFC-J625DW/MFC-J825DW FOR AUS	
1	UG3634001	1	TELEPHONE LINE CORD, MFC-J430W/MFC-J625DW/MFC-J825DW FOR ITA	
1	UG3290001	1	TELEPHONE LINE CORD, MFC-J430W/MFC-J625DW/MFC-J825DW FOR HK/OCE	
1	LG5827001	1	TELEPHONE LINE CORD, MFC-J430W/MFC-J625DW FOR PND	
2	LEK625001	1	CD-ROM, MFC-J280W FOR US/CAN	CHG
2	LEK626001	1	CD-ROM, MFC-J425W FOR US/CAN	CHG
2	LEK628001	1	CD-ROM, MFC-J430W FOR US/CAN/ARG/CHL/BRA	CHG
2	LEK629001	1	CD-ROM, MFC-J435W FOR US/CAN	CHG
2	LEK624001	1	CD-ROM, MFC-J825DW FOR US/CAN/ARG/CHL	CHG
2	LEK630001	1	CD-ROM, MFC-J835DW FOR US/CAN	CHG
2	LEK627001	1	CD-ROM, MFC-J625DW FOR US/CAN	CHG
2	LEK631001	1	CD-ROM, DCP-J525W FOR GER/UK/FRA/CHE/ITA/OCE/IBR	CHG
2	LEK632001	1	CD-ROM, DCP-J725DW FOR GER/UK/FRA/CHE/IDN/ASA/OCE/IBR	CHG
2	LEK633001	1	CD-ROM, DCP-J925DW FOR GER/UK/FRA/CHE/ITA/OCE/IBR	CHG
2	LEK634001	1	CD-ROM, MFC-J430W/MFC-J432W FOR GER/UK/FRA/BEL/NLD/CHE/AUS/ITA/ISR/IDN/ASA/OCE/IBR	CHG
2	LEK636001	1	CD-ROM, MFC-J625DW FOR GER/UK/FRA/BEL/NLD/AUS/ITA/ISR/IDN/ASA/OCE/IBR	CHG
2	LEK637001	1	CD-ROM, MFC-J825DW FOR GER/UK/FRA/BEL/NLD/CHE/AUS/ITA/ASA/OCE/IBR	CHG
2	LEK652001	1	CD-ROM, MFC-J430W FOR CHN/TWN/HK	CHG
2	LEK653001	1	CD-ROM, MFC-J625DW FOR CHN/TWN/HK	CHG
2	LEK654001	1	CD-ROM, MFC-J825DW FOR CHN/TWN/HK	CHG
2	LEK647001	1	CD-ROM, MFC-J430W FOR POL/CEE	CHG
2	LEK648001	1	CD-ROM, MFC-J625DW FOR POL/CEE	CHG
2	LEK649001	1	CD-ROM, MFC-J825DW FOR POL	CHG
2	LEK655001	1	CD-ROM, MFC-J430W FOR KOR	CHG
2	LEK656001	1	CD-ROM, MFC-J625DW FOR KOR	CHG
2	LEK657001	1	CD-ROM, MFC-J825DW FOR KOR	CHG
2	LEK638001	1	CD-ROM, DCP-J525W FOR RUS/PND	CHG
2	LEK642001	1	CD-ROM, MFC-J825DW FOR RUS	CHG
2	LEK641001	1	CD-ROM, MFC-J430W FOR RUS/PND	CHG
2	LEK635001	1	CD-ROM, MFC-J432W FOR OCE	CHG
2	LEK639001	1	CD-ROM, DCP-J725DW FOR PND	CHG
2	LEK640001	1	CD-ROM, DCP-J925DW FOR PND	CHG
2	LEK643001	1	CD-ROM, MFC-J625DW FOR PND	CHG
2	LEK644001	1	CD-ROM, DCP-J525DW FOR CEE	CHG
2	LEK645001	1	CD-ROM, DCP-J725DW FOR CEE	CHG
2	LEK646001	1	CD-ROM, DCP-J925DW FOR CEE	CHG
3	LG5717001	1	AC CORD BAG ASSY LF VDE FOR GER/FRA/BEL/NLD/AUS/ITA/IDN/POL/RUS/ASA/PND/IBR/CEE	
3	LG5692001	1	AC CORD BAG ASSY LF UK FOR UK/HK/ASA	
3	LT2260001	1	AC CORD BAG ASSY LF SEV FOR CHE	chg
3	LG7005001	1	AC CORD BAG ASSY LF ISRAEL FOR ISR	
3	LT1404001	1	AC CORD BAG ASSY LF CCC 60227 FOR CHN	
3	LT0613001	1	AC CORD BAG ASSY LF IND FOR IDN	
3	LT0921001	1	AC CORD BAG ASSY LF ARG IRAM FOR ARG	
3	LG6426001	1	AC CORD BAG ASSY LF CHILE FOR CHL	
3	LT0935001	1	AC CORD BAG ASSY LF KOR S FOR KOR	
3	LG5734001	1	AC CORD BAG ASSY LF SAA FOR OCE	
3	LG5736001	1	AC CORD BAG ASSY LF DEMKO FOR PND	
4	LX6761001	1	DISC TRAY ASSY, DCP-J925DW/MFC-J825DW/MFC-J835DW	
(5)	LG3622001	1	TELEPHONE PLUG DUT, MFC-J430W/MFC-J625DW/MFC-J825DW FOR NLD	
(5)	UG3468000	1	TELEPHONE PLUG HK, MFC-J430W/MFC-J625DW/MFC-J825DW FOR HK	
(5)	LG6573001	1	TELEPHONE PLUG ARL, MFC-J430W/MFC-J432W/MFC-J625DW/MFC-J825DW FOR OCE	
(5)	LG5828001	1	TELEPHONE PLUG DEN, MFC-J430W/MFC-J625DW FOR PND	
(5)	LG5830001	1	TELEPHONE PLUG SWE, MFC-J430W/MFC-J625DW FOR PND	
(5)	LG5829001	1	TELEPHONE PLUG FIN, MFC-J430W/MFC-J625DW FOR PND	
6	LP0001001	1	USB CABLE 2.0	
7	LS4874001	1	CD-ROM ASSY IMAGE FOLIO, MFC-J432W	

DCP-J525W/DCP-J725DW/DCP-J925DW

8CAM12/15/17/19
35/37/39/45/47/49MFC-J280W/MFC-J425W/MFC-J430W/MFC-J432W/MFC-J435W
MFC-J625DW/MFC-J825DW/MFC-J835DW

10 PRINTED MATERIALS



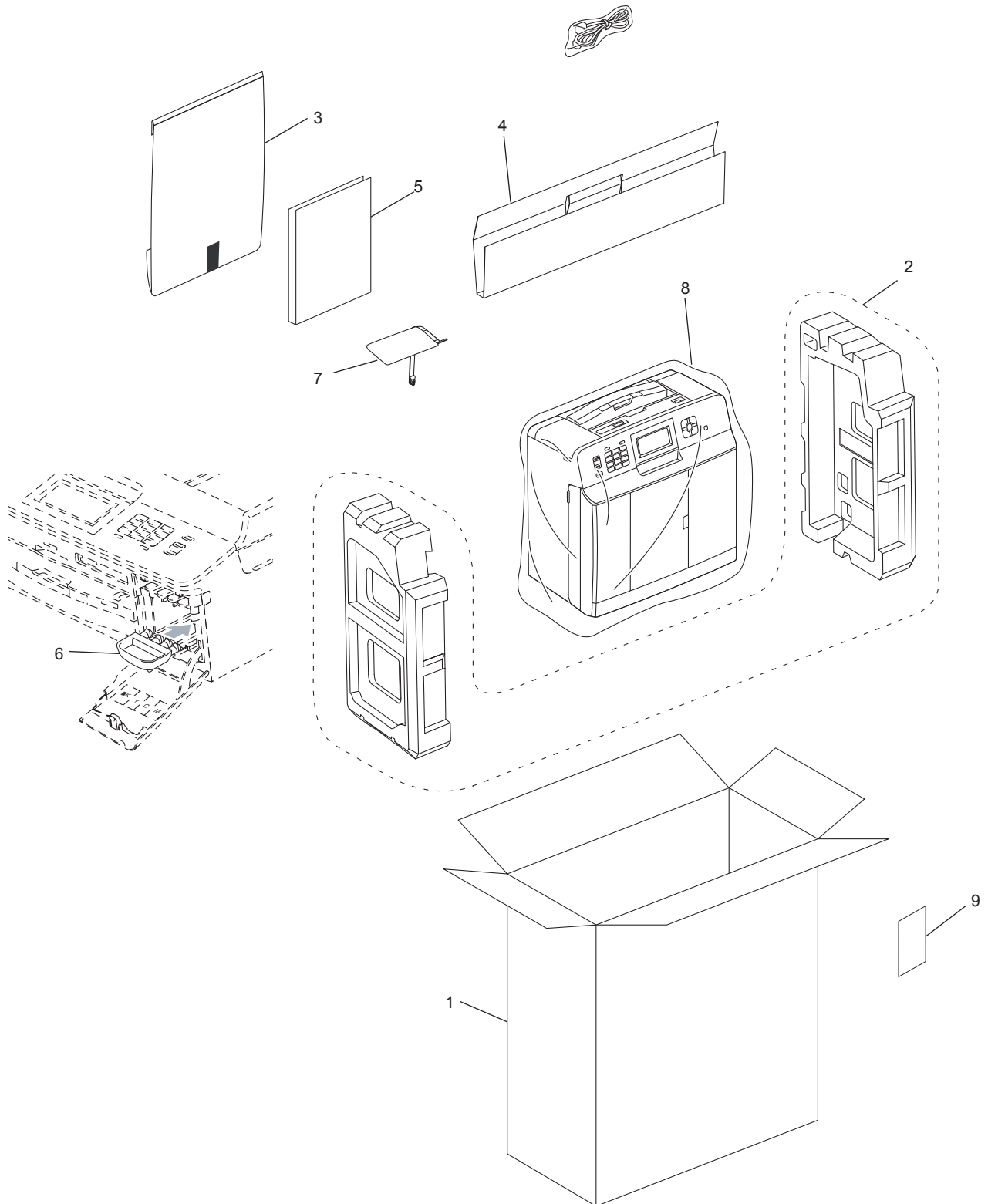
List10(PRINTED MATERIALS)

REF No.	CODE	Q'TY	DESCRIPTION	REMARKS
1	LX8272001	1	USER'S GUIDE, MFC-J280W/MFC-J625DW FOR US/CAN (ENGLISH)	
1	LX8599001	1	USER'S GUIDE, MFC-J425W/MFC-J430W/MFC-J435W FOR US/CAN (ENGLISH)	
1	LX8249001	1	USER'S GUIDE, MFC-J825DW/MFC-J835DW FOR US/CAN (ENGLISH)	
1	LX8272002	1	USER'S GUIDE, MFC-J280W/MFC-J625DW FOR CAN (FRENCH)	
1	LX8599002	1	USER'S GUIDE, MFC-J425W/MFC-J430WMFC-J435W FOR CAN (FRENCH)	
1	LX8249002	1	USER'S GUIDE, MFC-J825DW/MFC-J835DW FOR CAN (FRENCH)	
1	LX8560003	1	USER'S GUIDE, DCP-J525W/DCP-J725DW FOR GER/CHE (GERMAN)	
1	LX8514003	1	USER'S GUIDE, DCP-J925DW FOR GER/CHE (GERMAN)	
1	LX8695003	1	USER'S GUIDE, MFC-J430W FOR GER/AUS (GERMAN)	
1	LX8630003	1	USER'S GUIDE, MFC-J625DW FOR GER/AUS (GERMAN)	
1	LX8424003	1	USER'S GUIDE, MFC-J825DW FOR GER/AUS (GERMAN)	
1	LX8560004	1	USER'S GUIDE, DCP-J525W/DCP-J725DW FOR UK	
1	LX8514004	1	USER'S GUIDE, DCP-J925DW FOR UK	
1	LX8695004	1	USER'S GUIDE, MFC-J430W FOR UK	
1	LX8630004	1	USER'S GUIDE, MFC-J625DW FOR UK	
1	LX8424004	1	USER'S GUIDE, MFC-J825DW FOR UK	
1	LX8560005	1	USER'S GUIDE, DCP-J525W/DCP-J725DW FOR FRA/CHE (FRENCH)	
1	LX8560009	1	USER'S GUIDE, DCP-J525W/DCP-J725DW FOR FRA (DUTCH)	
1	LX8514005	1	USER'S GUIDE, DCP-J925DW FOR FRA/CHE (FRENCH)	
1	LX8514009	1	USER'S GUIDE, DCP-J925DW FOR FRA (DUTCH)	
1	LX8695005	1	USER'S GUIDE, MFC-J430W FOR FRA (FRENCH)	
1	LX8630005	1	USER'S GUIDE, MFC-J625DW FOR FRA (FRENCH)	
1	LX8424005	1	USER'S GUIDE, MFC-J825DW FOR FRA (FRENCH)	
1	LX8695008	1	USER'S GUIDE, MFC-J430W FOR BEL (DUTCH)	
1	LX8695058	1	USER'S GUIDE, MFC-J430W FOR BEL/CHE (FRENCH)	
1	LX8630008	1	USER'S GUIDE, MFC-J625DW FOR BEL (DUTCH)	
1	LX8630058	1	USER'S GUIDE, MFC-J625DW FOR BEL (FRENCH)	
1	LX8424008	1	USER'S GUIDE, MFC-J825DW FOR BEL (DUTCH)	
1	LX8424058	1	USER'S GUIDE, MFC-J825DW FOR BEL/CHE (FRENCH)	
1	LX8695009	1	USER'S GUIDE, MFC-J430W FOR NLD	
1	LX8630009	1	USER'S GUIDE, MFC-J625DW FOR NLD	
1	LX8424009	1	USER'S GUIDE, MFC-J825DW FOR NLD	
1	LX8695010	1	USER'S GUIDE, MFC-J430W FOR CHE (GERMAN)	
1	LX8424010	1	USER'S GUIDE, MFC-J825DW FOR CHE (GERMAN)	
1	LX8560016	1	USER'S GUIDE, DCP-J525W FOR ITA	
1	LX8514016	1	USER'S GUIDE, DCP-J925DW FOR ITA	
1	LX8695016	1	USER'S GUIDE, MFC-J430W FOR ITA	
1	LX8630016	1	USER'S GUIDE, MFC-J625DW FOR ITA	
1	LX8424016	1	USER'S GUIDE, MFC-J825DW FOR ITA	
1	LED887020	1	USER'S GUIDE, MFC-J430W FOR CHN	
1	LED933020	1	USER'S GUIDE, MFC-J625DW FOR CHN	
1	LED787020	1	USER'S GUIDE, MFC-J825DW FOR CHN	
1	LX8695040	1	USER'S GUIDE, MFC-J430W/MFC-J432W FOR HK/IDN/ASA/OCE (ENGLISH)	
1	LX8630040	1	USER'S GUIDE, MFC-J625DW FOR HK/IDN/ASA/OCE (ENGLISH)	
1	LX8424040	1	USER'S GUIDE, MFC-J825DW FOR HK/ASA/OCE (ENGLISH)	
1	LX8695028	1	USER'S GUIDE, MFC-J430W FOR TWN/HK (CANTONESE)	
1	LX8630028	1	USER'S GUIDE, MFC-J625DW FOR TWN/HK (CANTONESE)	
1	LX8424028	1	USER'S GUIDE, MFC-J825DW FOR TWN/HK (CANTONESE)	
1	LX8695031	1	USER'S GUIDE, MFC-J430W FOR ARG/CHL	
1	LX8424031	1	USER'S GUIDE, MFC-J825DW FOR ARG/CHL	
1	LX8695042	1	USER'S GUIDE, MFC-J430W FOR BRA	
1	LX8695044	1	USER'S GUIDE, MFC-J430W FOR KOR	
1	LX8630044	1	USER'S GUIDE, MFC-J625DW FOR KOR	
1	LX8424044	1	USER'S GUIDE, MFC-J825DW FOR KOR	
1	LX8560048	1	USER'S GUIDE, DCP-J525W FOR RUS	
1	LX8695048	1	USER'S GUIDE, MFC-J430W FOR RUS	
1	LX8424048	1	USER'S GUIDE, MFC-J825DW FOR RUS	
1	LX8560040	1	USER'S GUIDE, DCP-J525W/DCP-J725DW FOR IDN/ASA/OCE	
1	LX8514040	1	USER'S GUIDE, DCP-J925DW FOR OCE	
1	LX8624007	1	USER'S GUIDE, DCP-J525W/DCP-J725DW FOR PND (NORWEGIAN/SWEDISH)	
1	LX8628007	1	USER'S GUIDE, DCP-J925DW FOR PND (NORWEGIAN/SWEDISH)	
1	LX8891007	1	USER'S GUIDE, MFC-J430W FOR PND (NORWEGIAN/SWEDISH)	
1	LX8812007	1	USER'S GUIDE, MFC-J625DW FOR PND (NORWEGIAN/SWEDISH)	
1	LX8624013	1	USER'S GUIDE, DCP-J525W/DCP-J725DW FOR PND (FINNISH/DANISH)	
1	LX8628013	1	USER'S GUIDE, DCP-J925DW FOR PND (FINNISH/DANISH)	
1	LX8891013	1	USER'S GUIDE, MFC-J430W FOR PND (FINNISH/DANISH)	
1	LX8812013	1	USER'S GUIDE, MFC-J625DW FOR PND (FINNISH/DANISH)	
1	LX8624065	1	USER'S GUIDE, DCP-J525W/DCP-J725DW FOR IBR	
1	LX8628065	1	USER'S GUIDE, DCP-J925DW FOR IBR	
2	LX8369001	1	FRENCH SEAL, MFC-J280W FOR CAN	
2	LX8607001	1	FRENCH SEAL, MFC-J425W/MFC-J430WMFC-J435W FOR CAN	
2	LX8260001	1	FRENCH SEAL, MFC-J625DW/MFC-J825DW/MFC-J835DW FOR CAN	

DCP-J525W/DCP-J725DW/DCP-J925DW

8CAM12/15/17/19
35/37/39/45/47/49MFC-J280W/MFC-J425W/MFC-J430W/MFC-J432W/MFC-J435W
MFC-J625DW/MFC-J825DW/MFC-J835DW

11 PACKAGING



List11(PACKAGING)

REF No.	CODE	Q'TY	DESCRIPTION	REMARKS
1	LX8363001	1	CARTON BROTHER, MFC-J280W FOR US	
1	LX8827001	1	CARTON BROTHER, MFC-J425W FOR US	
1	LX8600001	1	CARTON BROTHER, MFC-J430W FOR US	
1	LX8900001	1	CARTON BROTHER, MFC-J435W FOR US	
1	LX8542001	1	CARTON BROTHER, MFC-J625DW FOR US	
1	LX8251001	1	CARTON BROTHER, MFC-J825DW FOR US	
1	LX8554001	1	CARTON BROTHER, MFC-J835DW FOR US	
1	LX8368001	1	CARTON BROTHER, MFC-J280W FOR CAN	
1	LX8832001	1	CARTON BROTHER, MFC-J425W FOR CAN	
1	LX8606001	1	CARTON BROTHER, MFC-J430W FOR CAN	
1	LX8904001	1	CARTON BROTHER, MFC-J435W FOR CAN	
1	LX8544001	1	CARTON BROTHER, MFC-J625DW FOR CAN	
1	LX8258001	1	CARTON BROTHER, MFC-J825DW FOR CAN	
1	LX8741001	1	CARTON BROTHER, MFC-J835DW FOR CAN	
1	LX8561001	1	CARTON BROTHER, DCP-J525W FOR GER/CHE	
1	LX8587001	1	CARTON BROTHER, DCP-J725DW FOR GER/CHE	
1	LX8515001	1	CARTON BROTHER, DCP-J925DW FOR GER/CHE	
1	LX8612001	1	CARTON BROTHER, MFC-J430W FOR GER/CHE/AUS	
1	LX8545001	1	CARTON BROTHER, MFC-J625DW FOR GER/AUS	
1	LX8474001	1	CARTON BROTHER, MFC-J825DW FOR GER/CHE/AUS	
1	LX8565001	1	CARTON BROTHER, DCP-J525W FOR UK/RUS/PND/CEE	
1	LX8589001	1	CARTON BROTHER, DCP-J725DW FOR UK/PND/CEE	
1	LX8613001	1	CARTON BROTHER, MFC-J430W FOR UK/ISR/POL/RUS/PND/CEE	
1	LX8519001	1	CARTON BROTHER, DCP-J925DW FOR UK/PND/CEE	
1	LX8546001	1	CARTON BROTHER, MFC-J625DW FOR UK/ISR/POL/PND/CEE	
1	LX8475001	1	CARTON BROTHER, MFC-J825DW FOR UK/POL/RUS	
1	LX8574001	1	CARTON BROTHER, DCP-J525W FOR FRA	
1	LX8591001	1	CARTON BROTHER, DCP-J725DW FOR FRA	
1	LX8528001	1	CARTON BROTHER, DCP-J925DW FOR FRA	
1	LX8614001	1	CARTON BROTHER, MFC-J430W FOR FRA/BEL/NLD	
1	LX8547001	1	CARTON BROTHER, MFC-J625DW FOR FRA/BEL/NLD	
1	LX8476001	1	CARTON BROTHER, MFC-J825DW FOR FRA/BEL/NLD	
1	LX8580001	1	CARTON BROTHER, DCP-J525W FOR ITA/IBR	
1	LX8534001	1	CARTON BROTHER, DCP-J925DW FOR ITA/IBR	
1	LX8615001	1	CARTON BROTHER, MFC-J430W FOR ITA/IBR	
1	LX8548001	1	CARTON BROTHER, MFC-J625DW FOR ITA/IBR	
1	LX8477001	1	CARTON BROTHER, MFC-J825DW FOR ITA/IBR	
1	LED731001	1	CARTON BROTHER, MFC-J430W FOR CHN	
1	LED732001	1	CARTON BROTHER, MFC-J625DW FOR CHN	
1	LED733001	1	CARTON BROTHER, MFC-J825DW FOR CHN	
1	LX8660001	1	CARTON BROTHER, MFC-J430W FOR TWN/HK/ASA/KOR/OCE	
1	LX8662001	1	CARTON BROTHER, MFC-J625DW FOR TWN/HK/ASA/KOR/OCE	
1	LX8663001	1	CARTON BROTHER, MFC-J825DW FOR TWN/HK/ASA/KOR/OCE	
1	LX8664001	1	CARTON BROTHER, DCP-J725DW FOR IDN	
1	LX8665001	1	CARTON BROTHER, MFC-J430W FOR IDN	
1	LX8666001	1	CARTON BROTHER, MFC-J625DW FOR IDN	
1	LEK801001	1	CARTON BROTHER, MFC-J430W FOR ARG/CHL	
1	LEK797001	1	CARTON BROTHER, MFC-J825DW FOR ARG/CHL	
1	LX8657001	1	CARTON BROTHER, DCP-J525W FOR OCE	
1	LX8658001	1	CARTON BROTHER, DCP-J725DW FOR ASA/OCE	
1	LX8659001	1	CARTON BROTHER, DCP-J925DW FOR OCE	
1	LX8661001	1	CARTON BROTHER, MFC-J432W FOR OCE	
1	LED754001	1	CARTON BROTHER, MFC-J430W FOR BRA	
1	LX8594001	1	CARTON BROTHER, DCP-J725DW FOR IBR	
2	LX7759001	1	PULP CUSHION ASSY, DCP-J525W/MFC-J280W	
2	LX7539001	1	PULP CUSHION ASSY, DCP-J725DW/DCP-J925DW/ MFC-J425W/MFC-J430W/MFC-J432W/MFC-J435W/MFC-J625DW/MFC-J825DW/MFC-J835DW	
3	LX8364001	1	QUICK SETUP GUIDE, MFC-J280W/MFC-J625DW FOR US/CAN (ENGLISH)	
3	LX8601001	1	QUICK SETUP GUIDE, MFC-J425W/MFC-J430W/MFC-J435W FOR US/CAN (ENGLISH)	
3	LX8252001	1	QUICK SETUP GUIDE, MFC-J825DW/MFC-J835DW FOR US/CAN (ENGLISH)	
3	LX8364002	1	QUICK SETUP GUIDE, MFC-J280W/MFC-J625DW FOR CAN (FRENCH)	
3	LX8601002	1	QUICK SETUP GUIDE, MFC-J425W/MFC-J430W/MFC-J435W FOR CAN (FRENCH)	
3	LX8252002	1	QUICK SETUP GUIDE, MFC-J825DW/MFC-J835DW FOR CAN (FRENCH)	
3	LX8563003	1	QUICK SETUP GUIDE, DCP-J525W/DCP-J725DW FOR GER/CHE (GERMAN)	
3	LX8517003	1	QUICK SETUP GUIDE, DCP-J925DW FOR GER/CHE (GERMAN)	
3	LX8697003	1	QUICK SETUP GUIDE, MFC-J430W FOR GER/AUS	
3	LX8633003	1	QUICK SETUP GUIDE, MFC-J625DW FOR GER/AUS (GERMAN)	
3	LX8425003	1	QUICK SETUP GUIDE, MFC-J825DW FOR GER/AUS (GERMAN)	
3	LX8563004	1	QUICK SETUP GUIDE, DCP-J525W/DCP-J725DW FOR UK	
3	LX8517004	1	QUICK SETUP GUIDE, DCP-J925DW FOR UK	
3	LX8697004	1	QUICK SETUP GUIDE, MFC-J430W FOR UK/ISR	
3	LX8633004	1	QUICK SETUP GUIDE, MFC-J625DW FOR UK/ISR	
3	LX8425004	1	QUICK SETUP GUIDE, MFC-J825DW FOR UK	

CHG
CHG

8CAM12/15/17/19
35/37/39/45/47/49

DCP-J525W/DCP-J725DW/DCP-J925DW
MFC-J280W/MFC-J425W/MFC-J430W/MFC-J432W/MFC-J435W
MFC-J625DW/MFC-J825DW/MFC-J835DW

List11(PACKAGING)

REF No.	CODE	Q'TY	DESCRIPTION	REMARKS
3	LX8563005	1	QUICK SETUP GUIDE, DCP-J525W/DCP-J725DW FOR FRA/CHE (FRENCH)	
3	LX8563009	1	QUICK SETUP GUIDE, DCP-J525W/DCP-J725DW FOR FRA (DUTCH)	
3	LX8517005	1	QUICK SETUP GUIDE, DCP-J925DW FOR FRA/CHE (FRENCH)	
3	LX8517009	1	QUICK SETUP GUIDE, DCP-J925DW FOR FRA (DUTCH)	
3	LX8697005	1	QUICK SETUP GUIDE, MFC-J430W FOR FRA (FRENCH)	
3	LX8633005	1	QUICK SETUP GUIDE, MFC-J625DW FOR FRA (FRENCH)	
3	LX8425005	1	QUICK SETUP GUIDE, MFC-J825DW FOR FRA (FRENCH)	
3	LX8697008	1	QUICK SETUP GUIDE, MFC-J430W FOR BEL (DUTCH)	
3	LX8633008	1	QUICK SETUP GUIDE, MFC-J625DW FOR BEL (DUTCH)	
3	LX8425008	1	QUICK SETUP GUIDE, MFC-J825DW FOR BEL (DUTCH)	
3	LX8697058	1	QUICK SETUP GUIDE, MFC-J430W FOR BEL/CHE (FRENCH)	
3	LX8633058	1	QUICK SETUP GUIDE, MFC-J625DW FOR BEL (FRENCH)	
3	LX8425058	1	QUICK SETUP GUIDE, MFC-J825DW FOR BEL/CHE (FRENCH)	
3	LX8697009	1	QUICK SETUP GUIDE, MFC-J430W FOR NLD	
3	LX8633009	1	QUICK SETUP GUIDE, MFC-J625DW FOR NLD	
3	LX8425009	1	QUICK SETUP GUIDE, MFC-J825DW FOR NLD	
3	LX8697010	1	QUICK SETUP GUIDE, MFC-J430W FOR CHE (GERMAN)	
3	LX8425010	1	QUICK SETUP GUIDE, MFC-J825DW FOR CHE (GERMAN)	
3	LX8563016	1	QUICK SETUP GUIDE, DCP-J525W/DCP-J725DW FOR CHE/ITA (ITALIAN)	
3	LX8517016	1	QUICK SETUP GUIDE, DCP-J925DW FOR CHE/ITA (ITALIAN)	
3	LX8425016	1	QUICK SETUP GUIDE, MFC-J825DW FOR CHE/ITA (ITALIAN)	
3	LX8697016	1	QUICK SETUP GUIDE, MFC-J430W FOR CHE/ITA (ITALIAN)	
3	LX8633016	1	QUICK SETUP GUIDE, MFC-J625DW FOR ITA	
3	LX8697020	1	QUICK SETUP GUIDE, MFC-J430W FOR CHN	
3	LX8633020	1	QUICK SETUP GUIDE, MFC-J625DW FOR CHN	
3	LX8425020	1	QUICK SETUP GUIDE, MFC-J825DW FOR CHN	
3	LX8425028	1	QUICK SETUP GUIDE, MFC-J825DW FOR TWN/HK (CANTONESE)	
3	LX8633040	1	QUICK SETUP GUIDE, MFC-J625DW FOR HK/IDN/ASA/OCE (ENGLISH)	
3	LX8425040	1	QUICK SETUP GUIDE, MFC-J825DW FOR HK/ASA/OCE (ENGLISH)	
3	LX8697040	1	QUICK SETUP GUIDE, MFC-J430W/MFC-J432W FOR HK/IDN/ASA/OCE (ENGLISH)	
3	LX8697028	1	QUICK SETUP GUIDE, MFC-J430W FOR TWN/HK (CANTONESE)	
3	LX8633028	1	QUICK SETUP GUIDE, MFC-J625DW FOR TWN/HK (CANTONESE)	
3	LX8697031	1	QUICK SETUP GUIDE, MFC-J430W FOR ARG/CHL	
3	LX8425031	1	QUICK SETUP GUIDE, MFC-J825DW FOR ARG/CHL	
3	LX8563040	1	QUICK SETUP GUIDE, DCP-J525W/DCP-J725DW FOR IDN/ASA/OCE	
3	LX8697039	1	QUICK SETUP GUIDE, MFC-J430W FOR POL	
3	LX8633039	1	QUICK SETUP GUIDE, MFC-J625DW FOR POL	
3	LX8425039	1	QUICK SETUP GUIDE, MFC-J825DW FOR POL	
3	LX8697042	1	QUICK SETUP GUIDE, MFC-J430W FOR BRA	
3	LX8697044	1	QUICK SETUP GUIDE, MFC-J430W FOR KOR	
3	LX8633044	1	QUICK SETUP GUIDE, MFC-J625DW FOR KOR	
3	LX8425044	1	QUICK SETUP GUIDE, MFC-J825DW FOR KOR	
3	LX8563048	1	QUICK SETUP GUIDE, DCP-J525W FOR RUS	
3	LX8697048	1	QUICK SETUP GUIDE, MFC-J430W FOR RUS	
3	LX8425048	1	QUICK SETUP GUIDE, MFC-J825DW FOR RUS	
3	LX8517040	1	QUICK SETUP GUIDE, DCP-J925DW FOR OCE	
3	LX8563007	1	QUICK SETUP GUIDE, DCP-J525W/DCP-J725DW FOR PND (NORWEGIAN/SWEDISH)	
3	LX8517007	1	QUICK SETUP GUIDE, DCP-J925DW FOR PND (NORWEGIAN/SWEDISH)	
3	LX8697007	1	QUICK SETUP GUIDE, MFC-J430W FOR PND (NORWEGIAN/SWEDISH)	
3	LX8633007	1	QUICK SETUP GUIDE, MFC-J625DW FOR PND (NORWEGIAN/SWEDISH)	
3	LX8563013	1	QUICK SETUP GUIDE, DCP-J525W/DCP-J725DW FOR PND (FINNISH/DANISH)	
3	LX8517013	1	QUICK SETUP GUIDE, DCP-J925DW FOR PND (FINNISH/DANISH)	
3	LX8697013	1	QUICK SETUP GUIDE, MFC-J430W FOR PND (FINNISH/DANISH)	
3	LX8633013	1	QUICK SETUP GUIDE, MFC-J625DW FOR PND (FINNISH/DANISH)	
3	LX8563065	1	QUICK SETUP GUIDE, DCP-J525W/DCP-J725DW FOR IBR	
3	LX8517065	1	QUICK SETUP GUIDE, DCP-J925DW FOR IBR	
3	LX8697065	1	QUICK SETUP GUIDE, MFC-J430W FOR IBR	
3	LX8633065	1	QUICK SETUP GUIDE, MFC-J625DW FOR IBR	
3	LX8425065	1	QUICK SETUP GUIDE, MFC-J825DW FOR IBR	
3	LX8563037	1	QUICK SETUP GUIDE, DCP-J525W/DCP-J725DW FOR CEE (CZECH/HUNGARIAN/POLISH/ENGLISH)	
3	LX8517037	1	QUICK SETUP GUIDE, DCP-J925DW FOR CEE (CZECH/HUNGARIAN/POLISH/ENGLISH)	
3	LX8697037	1	QUICK SETUP GUIDE, MFC-J430W FOR CEE (CZECH/HUNGARIAN/POLISH/ENGLISH)	
3	LX8633037	1	QUICK SETUP GUIDE, MFC-J625DW FOR CEE (CZECH/HUNGARIAN/POLISH/ENGLISH)	
3	LX8563059	1	QUICK SETUP GUIDE, DCP-J525W/DCP-J725DW FOR CEE (BULGARIAN/ROMANIAN/SLOVAK)	
3	LX8517059	1	QUICK SETUP GUIDE, DCP-J925DW FOR CEE (BULGARIAN/ROMANIAN/SLOVAK)	
3	LX8697059	1	QUICK SETUP GUIDE, MFC-J430W FOR CEE (BULGARIAN/ROMANIAN/SLOVAK)	
3	LX8633059	1	QUICK SETUP GUIDE, MFC-J625DW FOR CEE (BULGARIAN/ROMANIAN/SLOVAK)	
4	LX7542001	1	ACCESSORIES SHEET	
5	LX8100001	1	DISC TRAY PAD, DCP-J925DW/MFC-J825DW/MFC-J835DW	
6	LK5912001	1	PROTECTIVE PART (SP)	

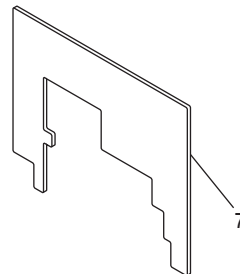
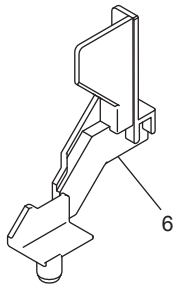
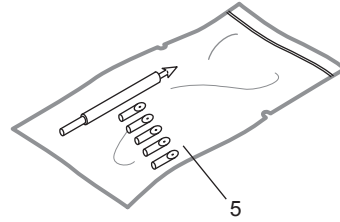
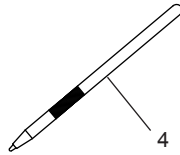
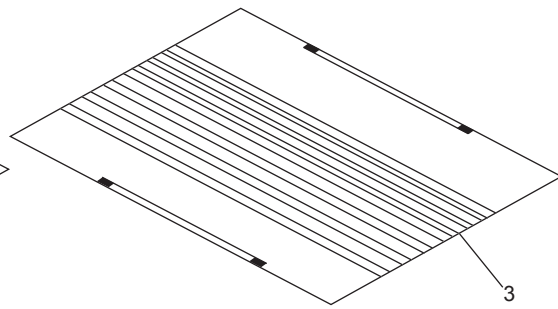
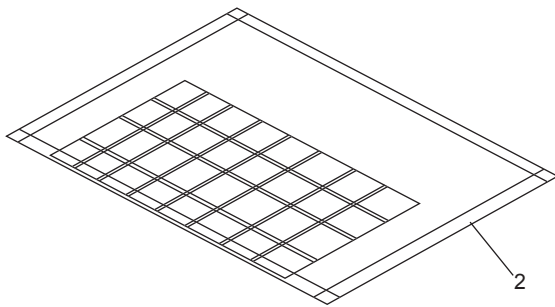
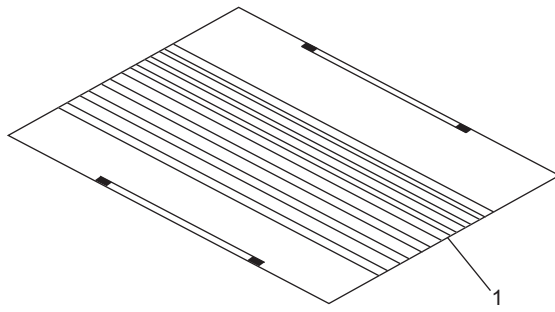
DCP-J525W/DCP-J725DW/DCP-J925DW

8CAM12/15/17/19
35/37/39/45/47/49MFC-J280W/MFC-J425W/MFC-J430W/MFC-J432W/MFC-J435W
MFC-J625DW/MFC-J825DW/MFC-J835DW

List11(PACKAGING)

REF No.	CODE	Q'TY	DESCRIPTION	REMARKS
7	LX7543001	1	PAPER TRAY STOPPER LABEL ASSY, DCP-J725DW/DCP-J925DW/MFC-J625DW/MFC-J825DW/MFC-J835DW	
8	LX7967001	1	BAG 680X770H	
9	LED974001	1	CHINA ENERGY LABEL, MFC-J430W FOR CHN	
9	LED973001	1	CHINA ENERGY LABEL, MFC-J625DW FOR CHN	
9	LED972001	1	CHINA ENERGY LABEL, MFC-J825DW FOR CHN	

12.OTHERS



List12(OTHERS)

REF No.	CODE	Q'TY	DESCRIPTION	REMARKS
1	UF8263001	1	TEST CHART-027	
2	UF9258001	1	COLOR TEST CHART CTC-001	
3	UF4600001	1	CONTRAST CHART TC-023	
4	XA9940051	1	STYLUS, DCP-J525W/DCP-J725DW/DCP-J925DW/MFC-J280W/ MFC-J625DW/MFC-J825DW/MFC-J835DW	
5	ZA0310001	1	CLEANER STICK	
6	LX6388002	1	LR POSITIONING JIG	
7	LX7243001	1	LR FITTING JIG	