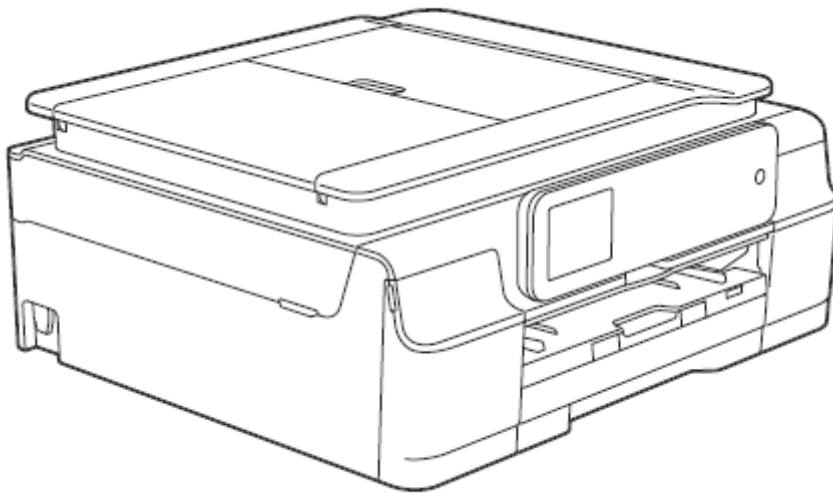




Inkjet MFC

PARTS REFERENCE LIST

**MODEL: DCP-J552DW/J752DW
MFC-J285DW/J470DW/J475DW/
J650DW/J870DW/J875DW**



Read this list thoroughly before maintenance work.

Keep this list in a convenient place for quick and easy reference at all times.

NOTE FOR USING THIS PARTS REFERENCE LIST

1. In the case of ordering parts, it is necessary to mention the following items;

- (1) Code
- (2) Q'ty
- (3) Description

Note: Orders without Parts Code or Tool No. can not be accepted.

< Example >

REF.NO.	(1) CODE	(2) Q'TY	(3) DESCRIPTION	REMARK

2. Design-changed parts :

If any of the parts is changed, one of the following symbols is indicated in the REMARK column.

CHG(chg) : The parts is changed to a new parts.

ADD(add) : The parts is newly added.

DEL(del) : The parts is deleted.

Symbol in capital letters indicates the latest parts change information in the page.

3. Parts change will be informed by the Parts change information.

4. Parts are subject to change in design without prior notice.

COUNTRIES AND AREAS

US ---- U.S.A.

CAN ---- CANADA

GER ---- GERMANY

UK ---- UNITED KINGDOM

FRA ---- FRANCE

CHE ---- SWITZERLAND

ITA ---- ITALY

ASA --- ASIA (SINGAPORE/GULF)

OCE ---- OCEANIA

(AUSTRALIA/NEW ZEALAND)

PND ---- PAN-NORDIC

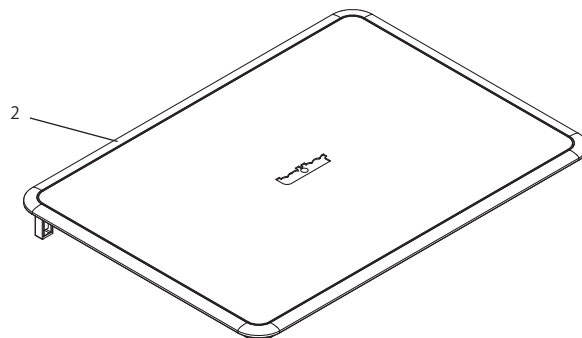
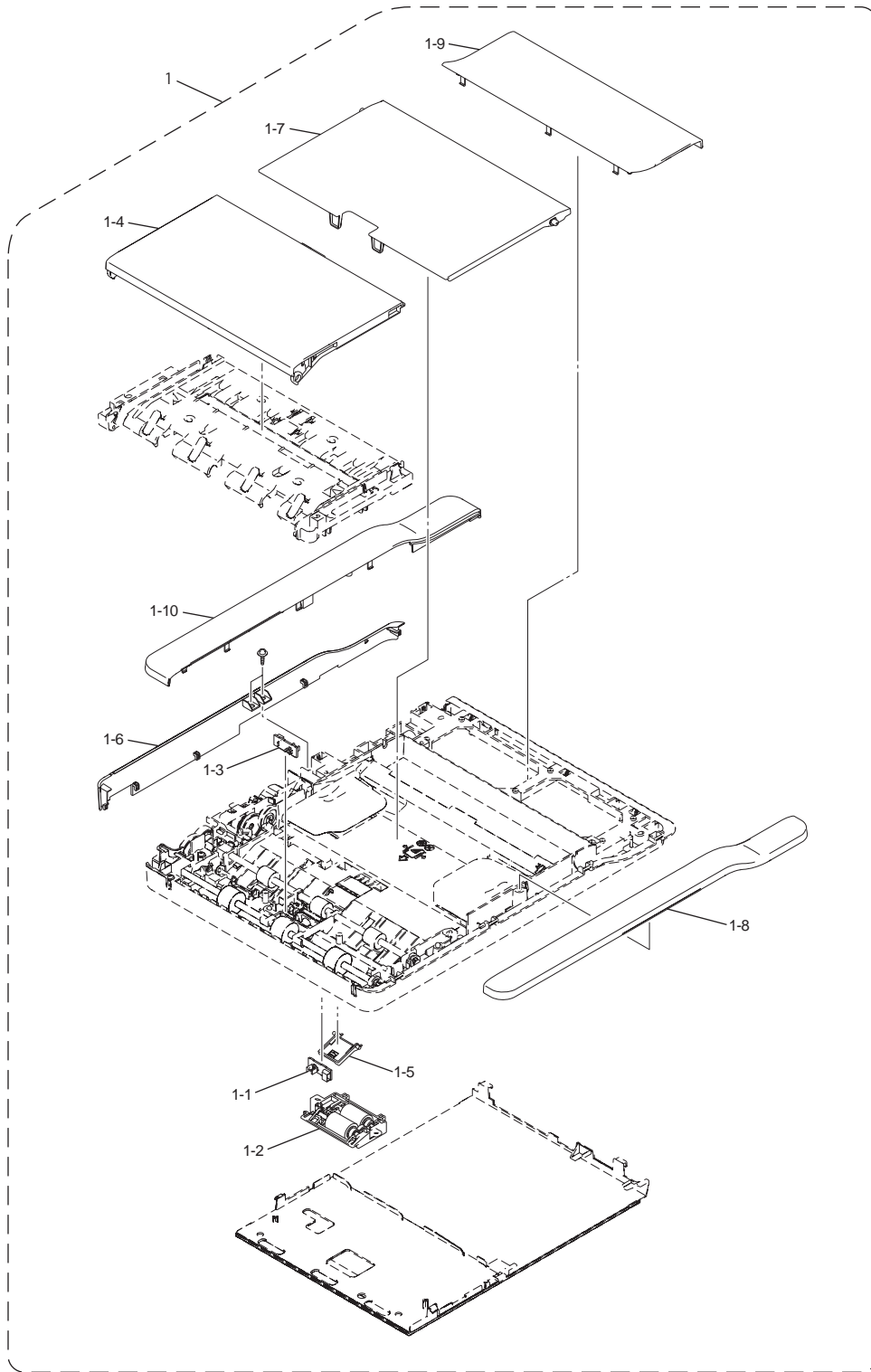
(NORWAY/FINLAND/DENMARK/SWEDEN)

IBR ---- IBERIA (SPAIN/PORTUGAL)

CONTENTS

1.	<u>ADF</u>	1
2.	<u>DOCUMENT SCANNER</u>	3
3.	<u>CARTRIDGE CASE</u>	5
4.	<u>ENGINE</u>	7
5.	<u>HEAD</u>	9
6.	<u>PAPER TRAY</u>	11
7.	<u>COVERS & LABELS</u>	13
8.	<u>PANEL</u>	15
9.	<u>PCB</u>	17
10.	<u>ACCESSORIES</u>	19
11.	<u>PRINTED MATERIALS</u>	21
12.	<u>PACKING MATERIALS</u>	23
13.	<u>OTHERS</u>	25

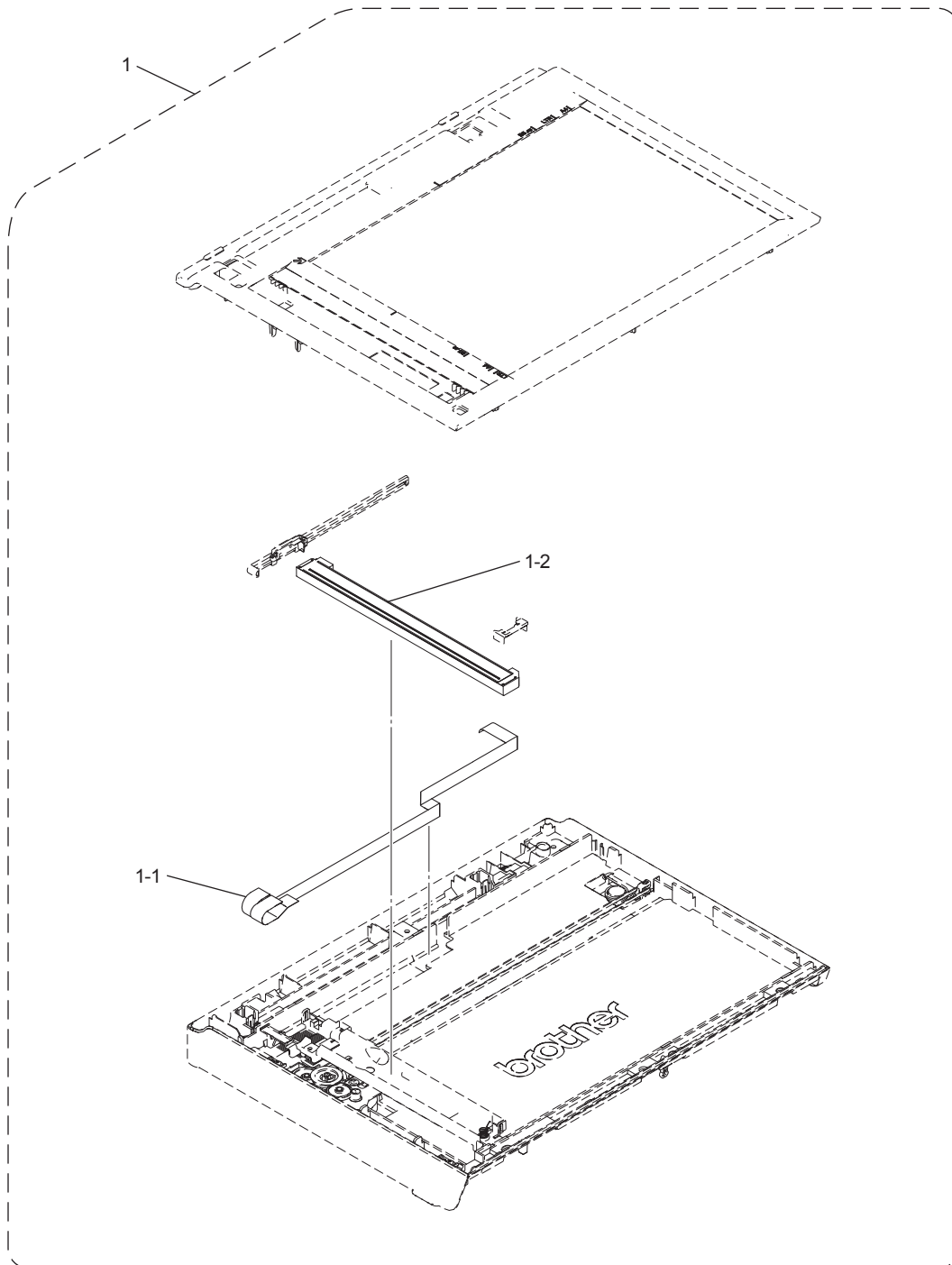
1. ADF



1. ADF

REF No.	CODE	Q'TY	DESCRIPTION	REMARKS
1	LEL746001	1	ADF UNIT (SP), DCP-J752DW/MFC-J470DW/J475DW/J650DW	
1	LEL745001	1	ADF UNIT (SP), MFC-J870DW	
1	LEL740001	1	ADF UNIT (SP), MFC-J875DW	
1-1	LG6753001	1	DOCUMENT DETECTION SENSOR PCB	
1-2	LEG765001	1	DOCUMENT SEPARATE ROLLER ASSY	
1-3	LG6753001	1	DOCUMENT SCANNING POSITION SENSOR PCB	
1-4	LEK171001	1	ADF COVER ASSY, DCP-J752DW/MFC-J470DW/J475DW/J650DW	
1-4	LEG786001	1	ADF COVER ASSY, MFC-J870DW	
1-4	LEL255001	1	ADF COVER ASSY, MFC-J875DW	
1-5	LEK796001	1	ADF SEPARATION PAD HOLDER ASSY	
1-6	LEG798007	1	ADF BACK COVER	
1-7	LEK077007	1	ADF DOCUMENT SUPPORT, DCP-J752DW/MFC-J470DW/J475DW/J650DW	
1-7	LEG800007	1	ADF DOCUMENT SUPPORT, MFC-J870DW	
1-7	LEL233007	1	ADF DOCUMENT SUPPORT, MFC-J875DW	
1-8	LEG801007	1	ADF TOP COVER FRONT	
1-9	LEG802007	1	ADF TOP COVER CENTER	
1-10	LEG803007	1	ADF TOP COVER REAR	
2	LEL418001	1	DOCUMENT COVER ASSY(SP), DCP-J552DW/MFC-J285DW	

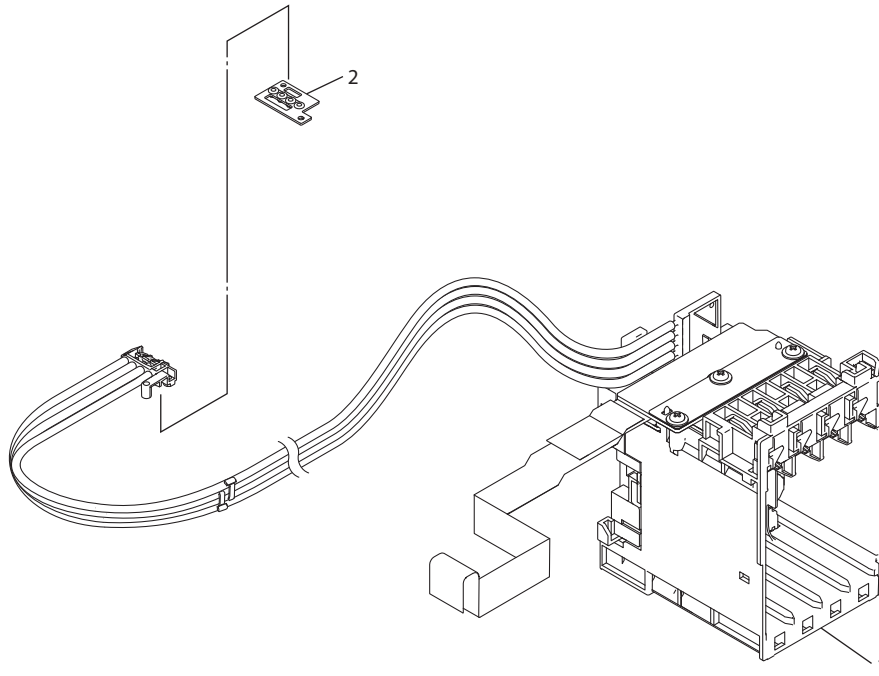
2. DOCUMENT SCANNER



2. DOCUMENT SCANNER

REF No.	CODE	Q'TY	DESCRIPTION	REMARKS
1	LEL996001	1	DOCUMENT SCANNER UNIT (SP), DCP-J552DW/MFC-J285DW	
1	LEL404001	1	DOCUMENT SCANNER UNIT (SP), DCP-J752DW/MFC-J470DW/J475DW/J650DW/J870DW/J875DW	
1-1	LT2411001	1	CIS FLAT CABLE	
1-2	LT2914001	1	CIS UNIT, DCP-J552DW/MFC-J285DW	
1-2	LT2410001	1	CIS UNIT, DCP-J752DW/MFC-J470DW/J475DW/J650DW/J870DW/J875DW	

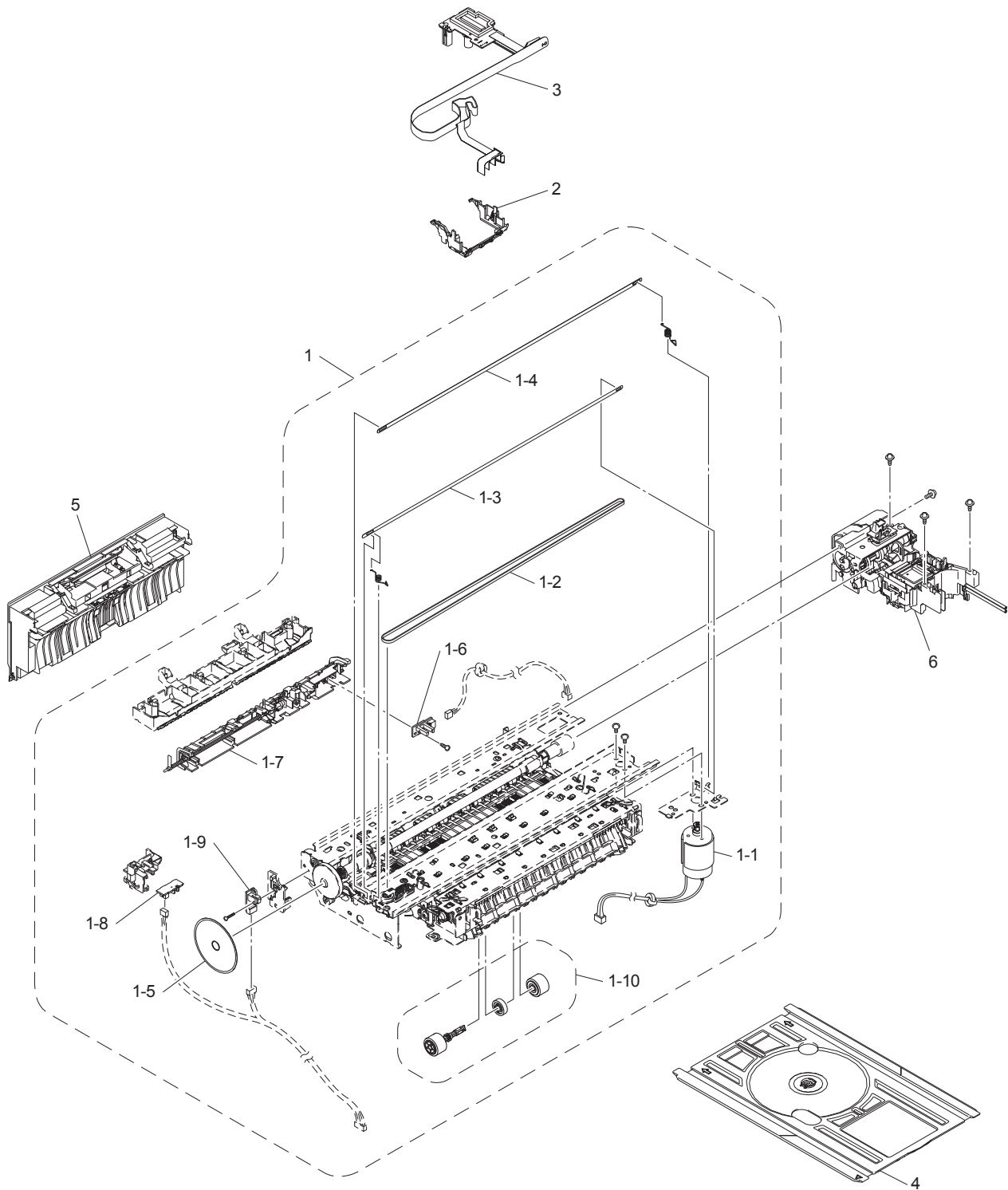
3. CARTRIDGE CASE



3. CARTRIDGE CASE

REF No.	CODE	Q'TY	DESCRIPTION	REMARKS
1	LEL401001	1	INK REFILL ASSY (SP)	
2	LK5793001	1	HEAD JOINT RUBBER (SP)	

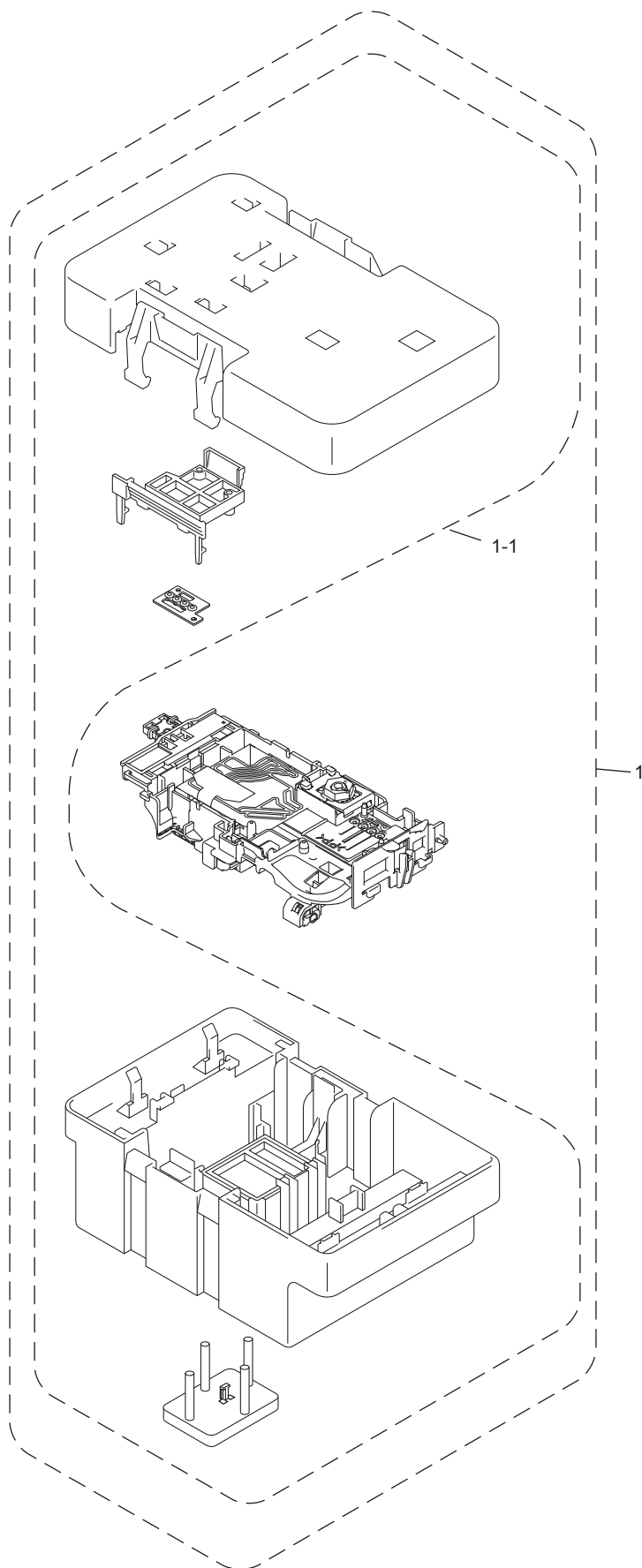
4. ENGINE



4. ENGINE

REF No.	CODE	Q'TY	DESCRIPTION	REMARKS
1	LEL700001	1	ENGINE UNIT (SP), DCP-J552DW/J752DW/MFC-J650DW	
1	LEL705001	1	ENGINE UNIT (SP), MFC-J285DW/J470DW/J475DW	
1	LEL707001	1	ENGINE UNIT (SP), MFC-J870DW/J875DW	
1-1	LEK172001	1	CARRIAGE MOTOR ASSY	
1-2	LX6677001	1	CR TIMING BELT	
1-3	LEK173001	1	CR ENCODER STRIP	
1-4	LX6679001	1	ENCODER STRIP GUARD FILM	
1-5	LP1471001	1	PF ENCODER DISK	
1-6	LT1511001	1	PRESSURE ROLLER RELEASE SENSOR PCB ASSY, MFC-J870DW//J875DW	
1-7	LX6798001	1	INNER CHUTE ASSY	
1-8	LT2644001	1	REGISTRATION SENSOR PCB ASSY	
1-9	LT1509002	1	PF ENCODER SENSOR PCB ASSY	
1-10	LEK558001	1	PAPER PULL-IN ROLLER	
2	LX8279001	1	LEVELER ROLLER ASSY	
3	LEL400001	1	CARRIAGE PCB ASSY (SP)	
4	LEK278001	1	DISC TRAY, MFC-J870DW/J875DW	
5	LX7090001	1	JAM CLEAR COVER, DCP-J552DW/J752DW/MFC-J285DW/J470DW/J475DW/J650DW	
5	LX6806001	1	JAM CLEAR COVER, MFC-J870DW/J875DW	
6	LEL402001	1	MAINTENANCE UNIT (SP)	

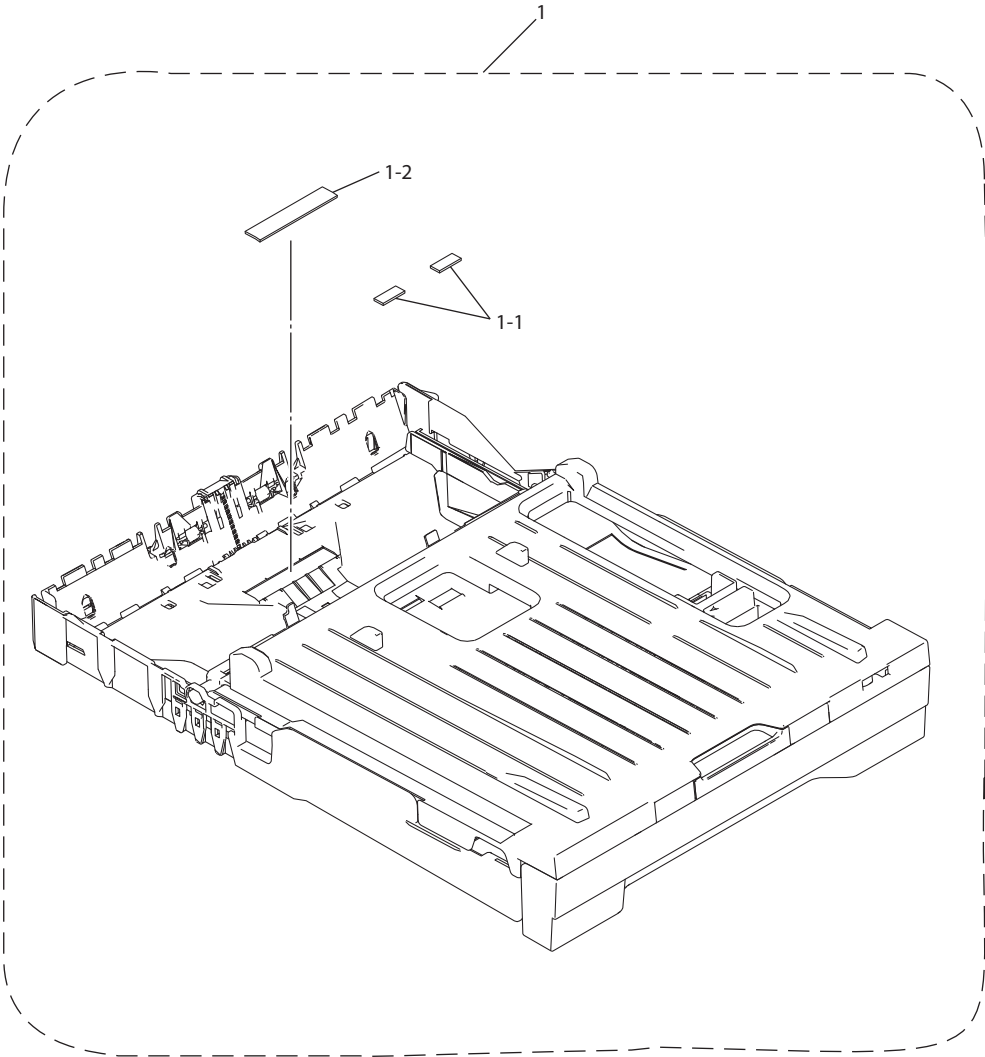
5. HEAD



5. HEAD

REF No.	CODE	Q'TY	DESCRIPTION	REMARKS
1	LK7449001	1	HEAD/CARRIAGE UNIT (SP)	
1-1	LK5391001	1	PROTECTOR SUPPLY ASSY(SP)	

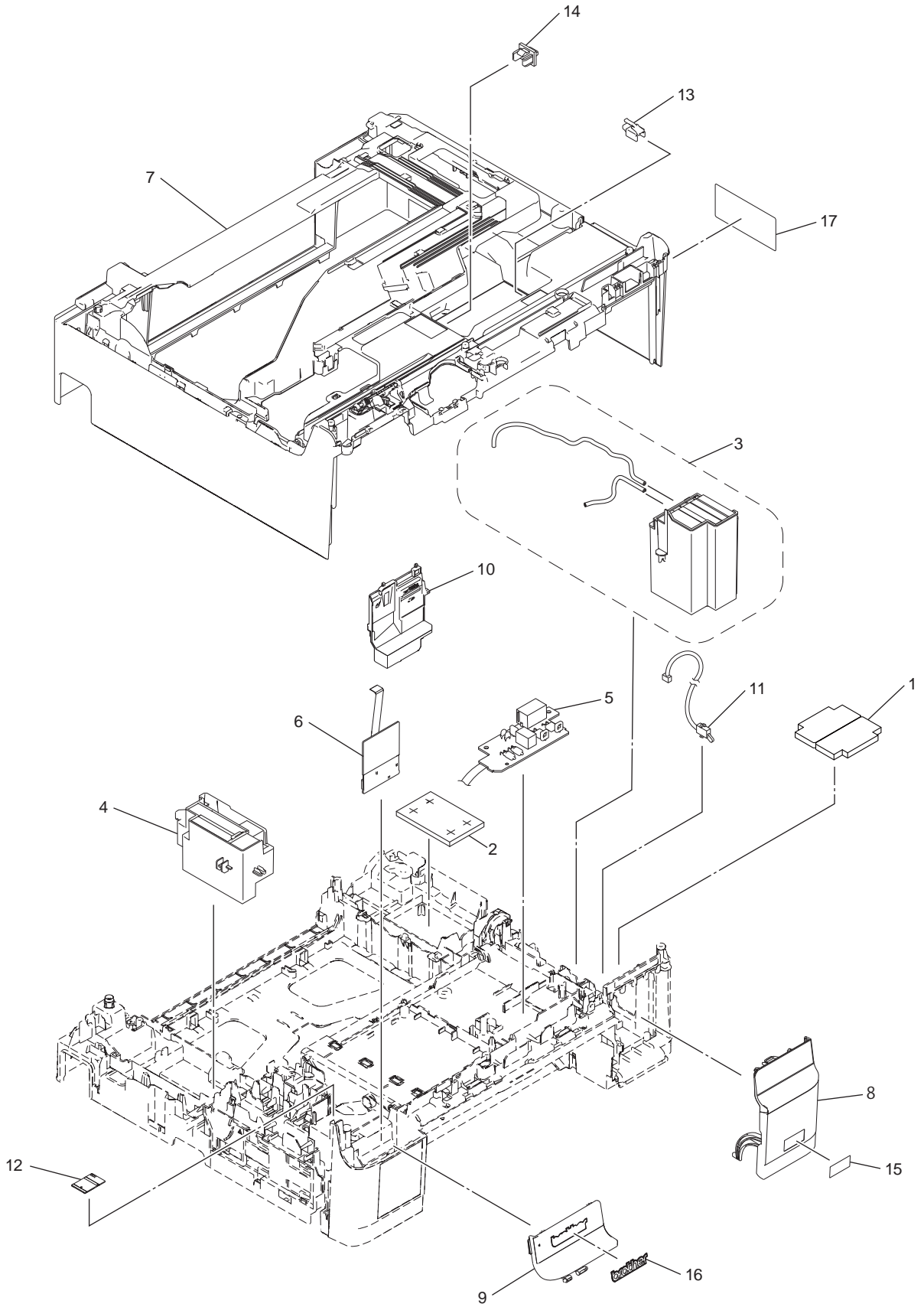
6. PAPER TRAY



6. PAPER TRAY

REF No.	CODE	Q'TY	DESCRIPTION	REMARKS
1	LEL940001	1	PAPER TRAY ASSY #1 (SP), MFC-J285DW/J470DW/J475DW FOR US/CAN	
1	LEL359001	1	PAPER TRAY ASSY #1 (SP), MFC-J650DW/J870DW/J875DW FOR US/CAN	
1	LEL942001	1	PAPER TRAY ASSY #1 (SP), DCP-J552DW/J752DW/MFC-J870DW EXCEPT FOR US/CAN	
1	LET119001	1	PAPER TRAY ASSY #1 (SP), MFC-J470DW EXCEPT FOR US/CAN	
1-1	LS4283001	2	BASE PAD, DCP-J552DW/J752DW/MFC-J650DW/J870DW/J875DW	
1-2	LED275001	1	BASE PAD W	

7. COVERS & LABELS



7. COVERS LABELS

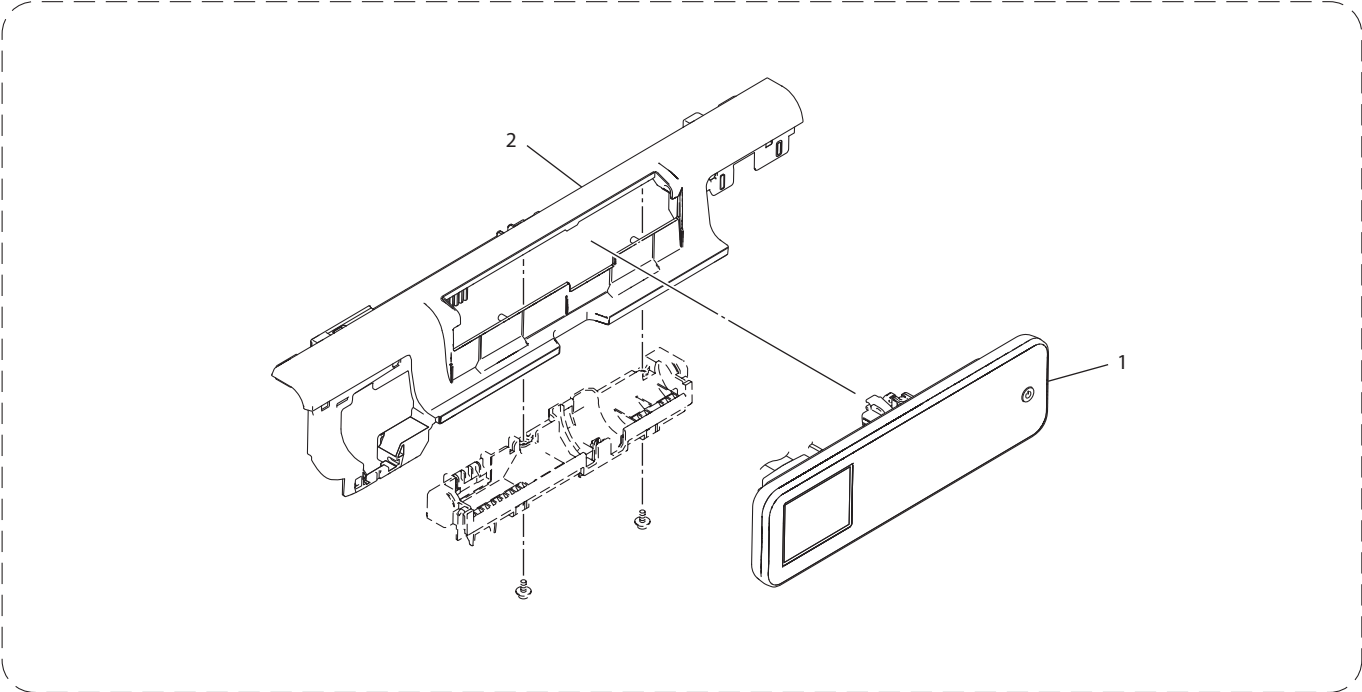
REF No.	CODE	Q'TY	DESCRIPTION	REMARKS
1	LEK212001	1	INK ABSORBER FELT (FOR INK REFILL ASSY)	
2	LX7296001	1	INK ABSORBER FELT (FOR MAINTENANCE UNIT)	
3	LEL360001	1	INK ABSORBER BOX (SP)	
4	LEG698001	1	FLUSHING BOX	
5	LT2373001	1	MJ PCB ASSY, MFC-J285DW/J470DW/J475DW/J650DW/J870DW/J875DW FOR US/CAN	
5	LT2373004	1	MJ PCB ASSY, MFC-J470DW/J870DW FOR GER/UK/FRA/ITA/IBR	
6	LT2354005	1	NFC PCB, MFC-J870DW/J875DW ^{*1}	
7	LEL941001	1	UPPER COVER (SP), DCP-J552DW/J752DW	
7	LEL939001	1	UPPER COVER (SP), MFC-J285DW/J470DW/J475DW/J650DW	
7	LEL361001	1	UPPER COVER (SP), MFC-J870DW/J875DW	
8	LEG715007	1	INK CARTRIDGE COVER	
9	LEG752007	1	FRONT PLATE, DCP-J552DW	
9	LEG716007	1	FRONT PLATE, DCP-J752DW/MFC-J650DW/J870DW/J875DW	
10	LEG753007	1	INNER MEDIA MODULE COVER, DCP-J552DW	
10	LEG717007	1	INNER MEDIA MODULE COVER, DCP-J752DW/MFC-J650DW/J870DW/J875DW	
11	LT2597001	1	INK CARTRIDGE COVER SENSOR ASSY	
12	LT2822001	1	WIRELESS LAN PCB ASSY	
13	LEL043001	1	EXT CAP, MFC-J285DW/J470DW/J475DW/J650DW/J870DW/J875DW FOR US/CAN/ITA/IBR	
13	UF5745000	1	MJ COVER EXT, MFC-J470DW/J870DW FOR GER/UK/FRA	
14	LEG124001	1	LAN PORT CAP, MFC-J870DW/J875DW	
15	LX3721001	1	INNOBELLA LABEL FOR US	
15	LX3722001	1	INNOBELLA LABEL EXCEPT FOR US	
16	LX7155001	1	EMBLEM BROTHER SHEET S, DCP-J752DW/MFC-J470DW/J475DW/J650DW/ J870DW/J875DW	
17	LEL119001	1	USER ACCESS PORT LABEL, DCP-J552DW/J752DW	
17	LEL121001	1	USER ACCESS PORT LABEL, MFC-J285DW/J470DW/J475DW/J650DW	
17	LEL122001	1	USER ACCESS PORT LABEL, MFC-J870DW/J875DW	

^{*1} When replacing the NFC PCB ASSY, check the manufactured month by reading the serial number of the machine.
If the machine was manufactured in April 2013, please replace both the Main PCB and the NFC PCB together.

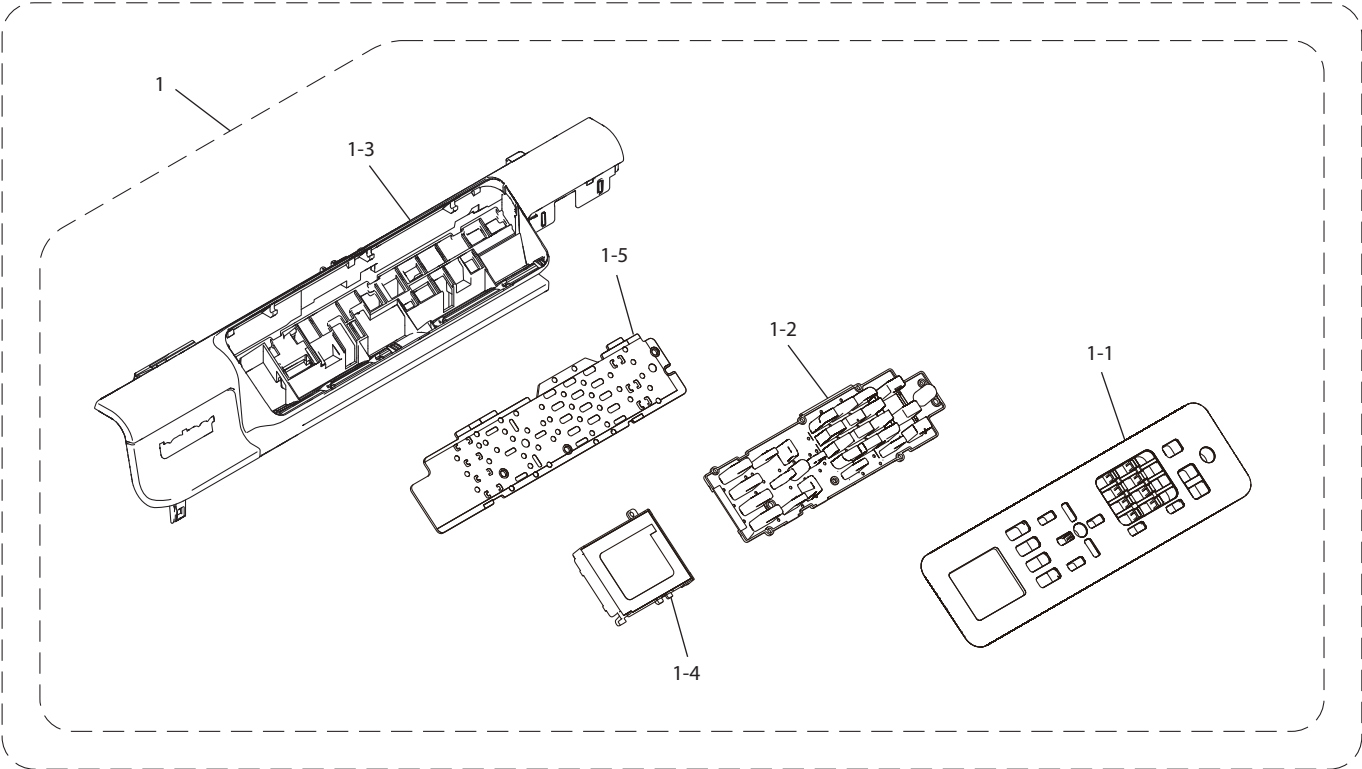
Please refer to the Service manual how to read the manufactured month of the machine from the serial number.

8 PANEL

DCP-J552DW/J752DW, MFC-J285DW/J650DW/J870DW/J875DW



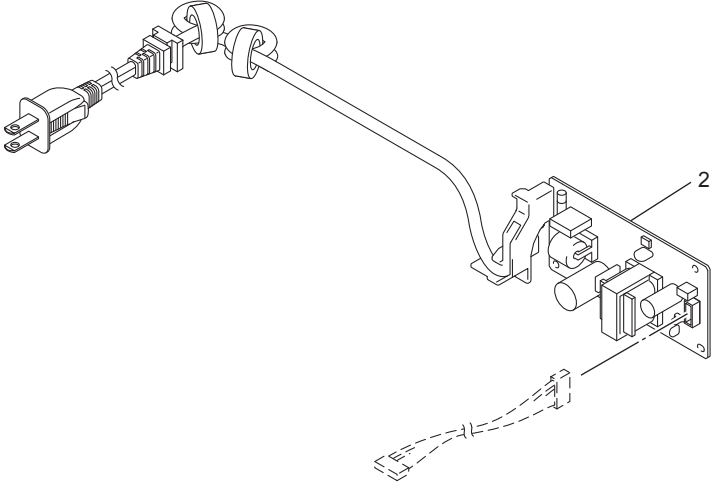
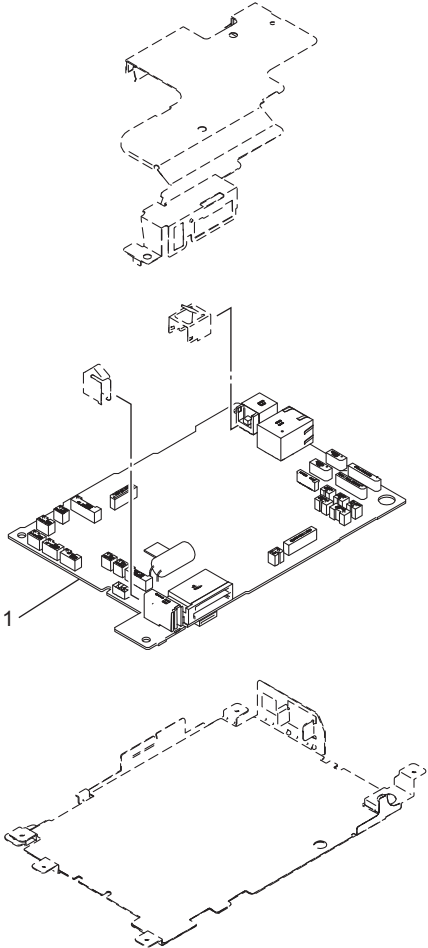
MFC-J470DW/J475DW



8. PANEL

REF No.	CODE	Q'TY	DESCRIPTION	REMARKS
1	LEG627001	1	PANEL ASSY, MFC-J470DW FOR US/CAN	
1	LEL483001	1	PANEL ASSY, MFC-J475DW FOR US/CAN	
1	LEL424001	1	PANEL ASSY, MFC-J650DW FOR US	
1	LEL426001	1	PANEL ASSY, MFC-J870DW FOR US/CAN	
1	LEL433001	1	PANEL ASSY, MFC-J875DW FOR US/CAN	
1	LEL631001	1	PANEL ASSY, MFC-J470DW FOR GER	
1	LEG636001	1	PANEL ASSY, MFC-J870DW FOR GER/UK/FRA/ITA/IBR	
1	LEK919001	1	PANEL ASSY, MFC-J470DW FOR UK	
1	LEL640001	1	PANEL ASSY, MFC-J470DW FOR FRA	
1	LEL644001	1	PANEL ASSY, MFC-J470DW FOR ITA	
1	LEL649001	1	PANEL ASSY, MFC-J470DW FOR IBR	
1	LEG615001	1	PANEL ASSY, DCP-J552DW	
1	LEG618001	1	PANEL ASSY, DCP-J752DW	
1	LEG659001	1	PANEL ASSY, MFC-J285DW	
1-1	LEG628001	1	PRINTED PANEL COVER, MFC-J470DW FOR US/CAN	
1-1	LEL484001	1	PRINTED PANEL COVER, MFC-J475DW FOR US/CAN	
1-1	LEL632001	1	PRINTED PANEL COVER, MFC-J470DW FOR GER	
1-1	LEK920001	1	PRINTED PANEL COVER, MFC-J470DW FOR UK	
1-1	LEL641001	1	PRINTED PANEL COVER, MFC-J470DW FOR FRA	
1-1	LEL645001	1	PRINTED PANEL COVER, MFC-J470DW FOR ITA	
1-1	LEL650001	1	PRINTED PANEL COVER, MFC-J470DW FOR IBR	
1-2	LEG633001	1	RUBBER KEY, MFC-J470DW/J475DW	
1-3	LEG678007	1	FRONT CENTER COVER, MFC-J470DW/J475DW	
1-4	A63361001	1	LCD UNIT, MFC-J470DW/J475DW	
1-5	LT2307001	1	PANEL PCB ASSY, MFC-J470DW/J475DW	
2	LEG656007	1	FRONT CENTER COVER, DCP-J552DW/J752DW/MFC-J650DW	
2	LEG677007	1	FRONT CENTER COVER, MFC-J285DW	
2	LEK838001	1	FRONT CENTER COVER, MFC-J870DW/J875DW	

9. PCB



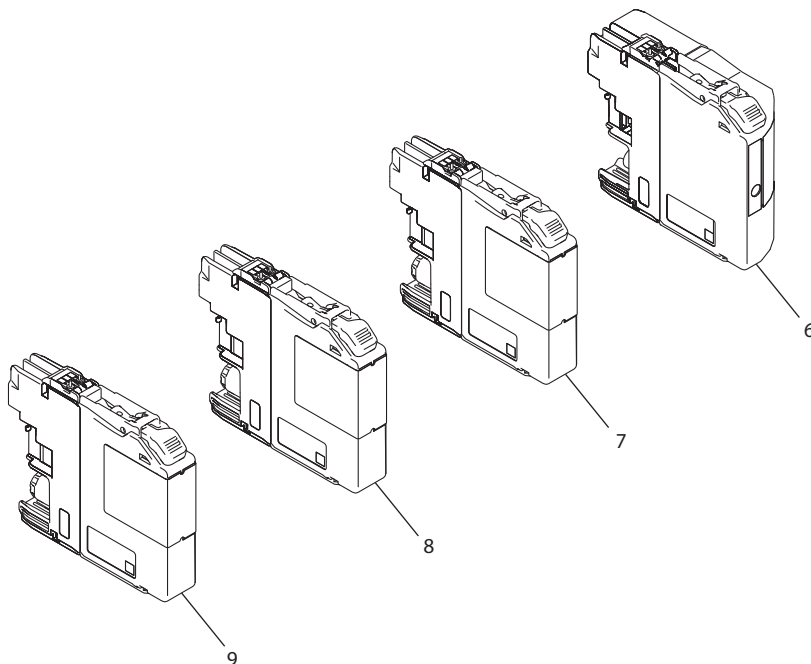
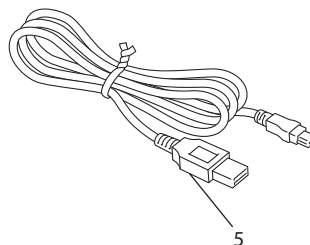
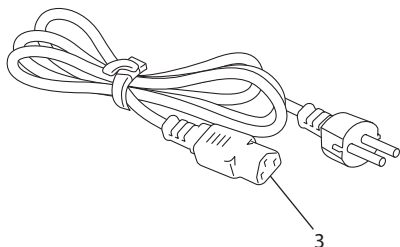
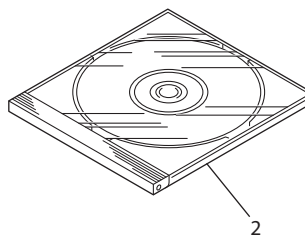
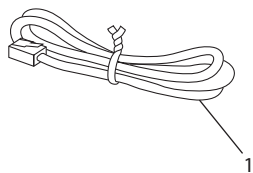
9. PCB

REF No.	CODE	Q'TY	DESCRIPTION	REMARKS
1	LT2847001	1	MAIN PCB ASSY (SP), MFC-J285DW (PRESET 74 CODE:0001)	
1	LT2844004	1	MAIN PCB ASSY (SP), DCP-J552DW FOR GER/UK/FRA/ITA/IBR (PRESET 74 CODE:0004)	
1	LT3080001	1	MAIN PCB ASSY (SP), MFC-J470DW/J475DW FOR US/CAN (PRESET 74 CODE:0001)	
1	LT2849001	1	MAIN PCB ASSY (SP), MFC-J650DW FOR US (PRESET 74 CODE:0001)	
1	LT2983001	1	MAIN PCB ASSY (SP), MFC-J870DW/J875DW FOR US/CAN (PRESET 74 CODE:0001) ^{※1}	
1	LT2845004	1	MAIN PCB ASSY (SP), DCP-J752DW FOR GER/UK/FRA/CHE/OCE/IBR/PND (PRESET 74 CODE:0104)	
1	LT3080004	1	MAIN PCB ASSY (SP), MFC-J470DW FOR GER/UK/FRA/ITA/IBR (PRESET 74 CODE:0004)	
1	LT2983004	1	MAIN PCB ASSY (SP), MFC-J870DW FOR GER/UK/FRA/ITA/IBR (PRESET 74 CODE:0004)	
1	LT2845040	1	MAIN PCB ASSY (SP), DCP-J752DW FOR ASA (PRESET 74 CODE:0140)	
2	LT2613001	1	POWER SUPPLY PCB ASSY FOR US/CAN	
2	LT2650001	1	POWER SUPPLY PCB ASSY EXCEPT FOR US/CAN	

※1 When replacing the Main PCB ASSY, check the manufactured month by reading the serial number of the machine.
If the machine was manufactured in April 2013, please replace both the Main PCB and the NFC PCB together.

Please refer to the Service manual how to read the manufactured month of the machine from the serial number.

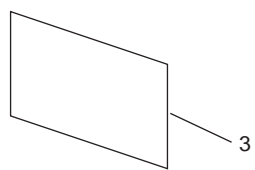
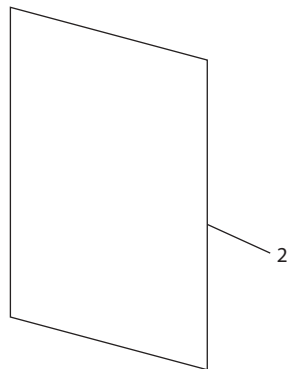
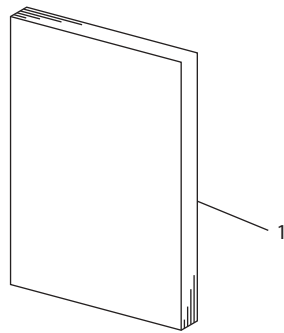
10 ACCESSORIES



10. ACCESSORIES

REF No.	CODE	Q'TY	DESCRIPTION	REMARKS
1	LG3077001	1	TELEPHONE LINE CORD CSA, MFC-J285DW/J470DW/J475DW/J650DW/J870DW/ J875DW FOR US/CAN/UK/IBR	
1	UG3625001	1	TELEPHONE LINE CORD, MFC-J470DW/J870DW FOR GER	
1	UG3626001	1	TELEPHONE LINE CORD UK6P, MFC-J470DW/J870DW FOR UK	
1	UG3627001	1	TELEPHONE LINE CORD, MFC-J470DW/J870DW FOR FRA	
1	LT2144001	1	TELEPHONE LINE CORD, MFC-J470DW/J870DW FOR ITA	
2	LEK464001	1	CD-ROM ASSY, MFC-J470DW FOR US	
2	LEK460001	1	CD-ROM ASSY, MFC-J475DW FOR US	
2	LEK465001	1	CD-ROM ASSY, MFC-J650DW FOR US	
2	LEK466001	1	CD-ROM ASSY, MFC-J870DW FOR US	
2	LEK463001	1	CD-ROM ASSY, MFC-J875DW FOR US	
2	LEL456001	1	CD-ROM ASSY, MFC-J470DW FOR CAN	
2	LEL458001	1	CD-ROM ASSY, MFC-J475DW FOR CAN	
2	LEL461001	1	CD-ROM ASSY, MFC-J870DW FOR CAN	
2	LEL462001	1	CD-ROM ASSY, MFC-J875DW FOR CAN	
2	LEK524001	1	CD-ROM ASSY, DCP-J552DW FOR GER/UK/FRA/ITA/IBR	
2	LEK525001	1	CD-ROM ASSY, DCP-J752DW FOR GER/UK/FRA/CHE/IBR	
2	LEK526001	1	CD-ROM ASSY, MFC-J470DW FOR GER/UK/FRA/ITA/IBR	
2	LEK528001	1	CD-ROM ASSY, MFC-J870DW FOR GER/UK/FRA/ITA/IBR	
2	LEL472001	1	CD-ROM ASSY, DCP-J752DW FOR ASA/OCE	
2	LEL209001	1	CD-ROM ASSY, DCP-J752DW FOR PND	
2	LEK462001	1	CD-ROM ASSY, MFC-J285DW	
3	LT2744001	1	AC CORD BAG ASSY C5 EUR FOR GER/FRA/ITA/PND/IBR	
3	LT2652001	1	AC CORD BAG ASSY C5 UK FOR UK/ASA	
3	LT2899001	1	AC CORD BAG ASSY C5 SEV FOR CHE	
3	LT2746001	1	AC CORD BAG ASSY C5 SAI FOR OCE	
4	---		Not used	
5	LJ9803001	1	USB CABLE 2.0	
6	LK7346001	1	CARTRIDGE INITIAL SETUP STARTER CARTRIDGE LC101BK BL FOR US/CAN	ADD
6	LK7394001	1	CARTRIDGE INITIAL SETUP STARTER CARTRIDGE LC121BK BL FOR GER/UK/FRA/CHE/ITA/PND/IBR	
6	LK7660001	1	INITIAL SETUP STARTER CARTRIDGE LC161BK BL FOR ASA	
6	LK7426001	1	INITIAL SETUP STARTER CARTRIDGE LC131BK BL FOR OCE	
7	LK7347001	1	CARTRIDGE INITIAL SETUP STARTER CARTRIDGE LC101C BL FOR US/CAN	ADD
7	LK7395001	1	CARTRIDGE INITIAL SETUP STARTER CARTRIDGE LC121C BL FOR GER/UK/FRA/CHE/ITA/PND/IBR	
7	LK7661001	1	INITIAL SETUP STARTER CARTRIDGE LC161C BL FOR ASA	
7	LK7427001	1	INITIAL SETUP STARTER CARTRIDGE LC131C BL FOR OCE	
8	LK7348001	1	CARTRIDGE INITIAL SETUP STARTER CARTRIDGE LC101M BL FOR US/CAN	ADD
8	LK7396001	1	CARTRIDGE INITIAL SETUP STARTER CARTRIDGE LC121M BL FOR GER/UK/FRA/CHE/ITA/PND/IBR	
8	LK7662001	1	INITIAL SETUP STARTER CARTRIDGE LC161M BL FOR ASA	
8	LK7428001	1	INITIAL SETUP STARTER CARTRIDGE LC131M BL FOR OCE	
9	LK7349001	1	CARTRIDGE INITIAL SETUP STARTER CARTRIDGE LC101Y BL FOR US/CAN	ADD
9	LK7397001	1	CARTRIDGE INITIAL SETUP STARTER CARTRIDGE LC121Y BL FOR GER/UK/FRA/CHE/ITA/PND/IBR	
9	LK7663001	1	INITIAL SETUP STARTER CARTRIDGE LC161Y BL ASA	
9	LK7429001	1	INITIAL SETUP STARTER CARTRIDGE LC131Y BL FOR OCE	

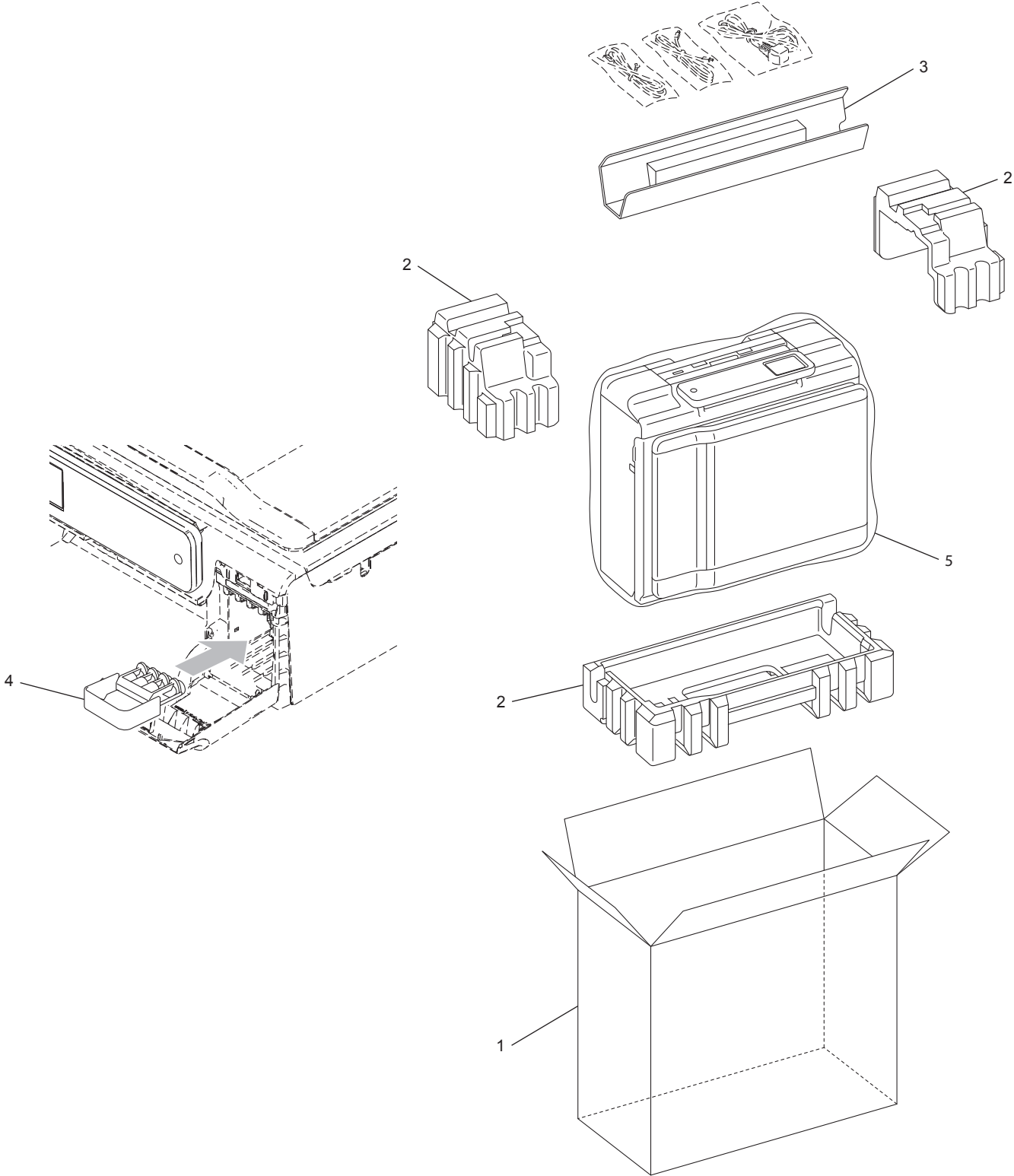
11. PRINTED MATERIALS



11. PRINTED MATERIALS

REF No.	CODE	Q'TY	DESCRIPTION	REMARKS
1	LEL386001	1	USER'S GUIDE, MFC-J470DW/J475DW FOR US/CAN (ENGLISH)	
1	LEL332001	1	USER'S GUIDE, MFC-J650DW/J870DW/J875DW FOR US/CAN (ENGLISH)	
1	LEL386002	1	USER'S GUIDE, MFC-J470DW/J475DW FOR CAN (FRENCH)	
1	LEL332002	1	USER'S GUIDE, MFC-J870DW/J875DW FOR CAN (FRENCH)	
1	LEL502003	1	USER'S GUIDE, DCP-J552DW/J752DW FOR GER/CHE (GERMAN)	
1	LEL634003	1	USER'S GUIDE, MFC-J470DW FOR GER	
1	LEL589003	1	USER'S GUIDE, MFC-J870DW FOR GER	
1	LEL502004	1	USER'S GUIDE, DCP-J552DW/J752DW FOR UK	
1	LEL634004	1	USER'S GUIDE, MFC-J470DW FOR UK	
1	LEL589004	1	USER'S GUIDE, MFC-J870DW FOR UK	
1	LEL502005	1	USER'S GUIDE, DCP-J552DW/J752DW FOR FRA/CHE (FRENCH)	
1	LEL502009	1	USER'S GUIDE, DCP-J552DW/J752DW FOR FRA (DUTCH)	
1	LEL634005	1	USER'S GUIDE, MFC-J470DW FOR FRA	
1	LEL589005	1	USER'S GUIDE, MFC-J870DW FOR FRA	
1	LEL502016	1	USER'S GUIDE, DCP-J552DW FOR ITA	
1	LEL634016	1	USER'S GUIDE, MFC-J470DW FOR ITA	
1	LEL589016	1	USER'S GUIDE, MFC-J870DW FOR ITA	
1	LEL502040	1	USER'S GUIDE, DCP-J752DW FOR ASA/OCE	
1	LEL516007	1	USER'S GUIDE, DCP-J752DW FOR PND (NORWEGIAN/SWEDISH)	
1	LEL516013	1	USER'S GUIDE, DCP-J752DW FOR PND (FINNISH/DANISH)	
1	LEL516065	1	USER'S GUIDE, DCP-J552DW/J752DW FOR IBR	
1	LEL607001	1	USER'S GUIDE, MFC-J285DW	
2	LEL387001	1	QUICK SETUP GUIDE, MFC-J470DW/J475DW FOR US/CAN (ENGLISH)	
2	LEL335001	1	QUICK SETUP GUIDE, MFC-J650DW/J870DW/J875DW FOR US/CAN (ENGLISH)	
2	LEL387002	1	QUICK SETUP GUIDE, MFC-J470DW/J475DW FOR CAN (FRENCH)	
2	LEL335002	1	QUICK SETUP GUIDE, MFC-J870DW/J875DW FOR CAN (FRENCH)	
2	LEL508003	1	QUICK SETUP GUIDE, DCP-J552DW/J752DW FOR GER/CHE (GERMAN)	
2	LEL637003	1	QUICK SETUP GUIDE, MFC-J470DW FOR GER	
2	LEL592003	1	QUICK SETUP GUIDE, MFC-J870DW FOR GER	
2	LEL508004	1	QUICK SETUP GUIDE, DCP-J552DW/J752DW FOR UK	
2	LEL637004	1	QUICK SETUP GUIDE, MFC-J470DW FOR UK	
2	LEL592004	1	QUICK SETUP GUIDE, MFC-J870DW FOR UK	
2	LEL508005	1	QUICK SETUP GUIDE, DCP-J552DW/J752DW FOR FRA/CHE (FRENCH)	
2	LEL508009	1	QUICK SETUP GUIDE, DCP-J552DW/J752DW FOR FRA (DUTCH)	
2	LEL637005	1	QUICK SETUP GUIDE, MFC-J470DW FOR FRA	
2	LEL592005	1	QUICK SETUP GUIDE, MFC-J870DW FOR FRA	
2	LEL508016	1	QUICK SETUP GUIDE, DCP-J552DW/J752DW FOR CHE/ITA (ITALIAN)	
2	LEL637016	1	QUICK SETUP GUIDE, MFC-J470DW FOR ITA	
2	LEL592016	1	QUICK SETUP GUIDE, MFC-J870DW FOR ITA	
2	LEL508040	1	QUICK SETUP GUIDE, DCP-J752DW FOR ASA/OCE	
2	LEL508007	1	QUICK SETUP GUIDE, DCP-J752DW FOR PND (NORWEGIAN/SWEDISH)	
2	LEL508013	1	QUICK SETUP GUIDE, DCP-J752DW FOR PND (FINNISH/DANISH)	
2	LEL508065	1	QUICK SETUP GUIDE, DCP-J552DW/J752DW FOR IBR	
2	LEL637065	1	QUICK SETUP GUIDE, MFC-J470DW FOR IBR	
2	LEL592065	1	QUICK SETUP GUIDE, MFC-J870DW FOR IBR	
2	LEL608001	1	QUICK SETUP GUIDE, MFC-J285DW	
3	LEL393001	1	FRENCH SEAL, MFC-J470DW/J475DW FOR CAN	

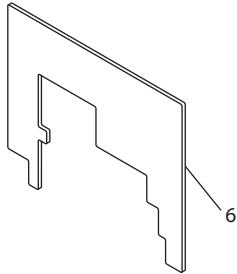
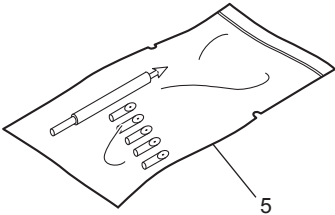
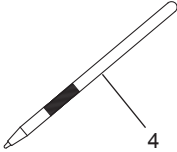
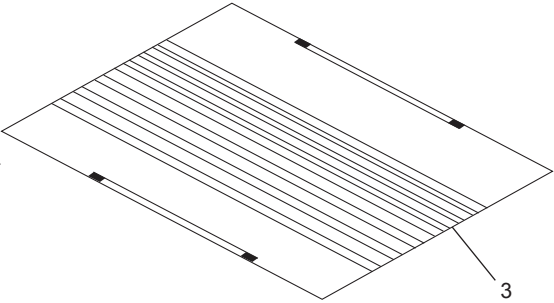
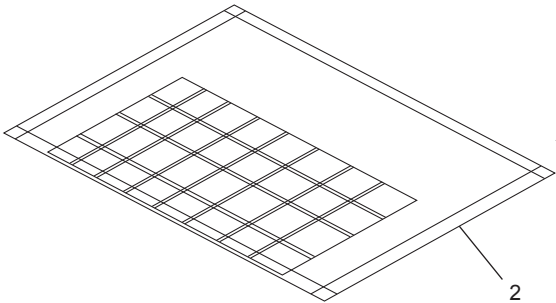
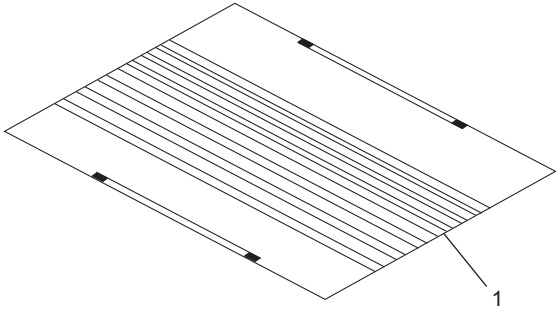
12. PACKING MATERIALS



12. PACKING MATERIALS

REF No.	CODE	Q'TY	DESCRIPTION	REMARKS
1	LEL389001	1	CARTON BROTHER, MFC-J470DW FOR US	
1	LEL485001	1	CARTON BROTHER, MFC-J475DW FOR US	
1	LEL544001	1	CARTON BROTHER, MFC-J650DW FOR US	
1	LEL334001	1	CARTON BROTHER, MFC-J870DW FOR US	
1	LEL435001	1	CARTON BROTHER, MFC-J875DW FOR US	
1	LEL395001	1	CARTON BROTHER, MFC-J470DW FOR CAN	
1	LEL489001	1	CARTON BROTHER, MFC-J475DW FOR CAN	
1	LEL341001	1	CARTON BROTHER, MFC-J870DW FOR CAN	
1	LEL438001	1	CARTON BROTHER, MFC-J875DW FOR CAN	
1	LEL506001	1	CARTON BROTHER, DCP-J752DW FOR GER/CHE	
1	LEL619001	1	CARTON BROTHER, DCP-J552DW FOR GER	
1	LEL635001	1	CARTON BROTHER, MFC-J470DW FOR GER	
1	LEL590001	1	CARTON BROTHER, MFC-J870DW FOR GER	
1	LEL622001	1	CARTON BROTHER, DCP-J552DW FOR UK/FRA	
1	LEL512001	1	CARTON BROTHER, DCP-J752DW FOR UK/FRA	
1	LEL639001	1	CARTON BROTHER, MFC-J470DW FOR UK/FRA	
1	LEL594001	1	CARTON BROTHER, MFC-J870DW FOR UK/FRA	
1	LEL626001	1	CARTON BROTHER, DCP-J552DW FOR ITA/IBR	
1	LEL517001	1	CARTON BROTHER, DCP-J752DW FOR IBR	
1	LEL647001	1	CARTON BROTHER, MFC-J470DW FOR ITA/IBR	
1	LEL598001	1	CARTON BROTHER, MFC-J870DW FOR ITA/IBR	
1	LEL754001	1	CARTON BROTHER, DCP-J752DW FOR ASA	
1	LEL756001	1	CARTON BROTHER, DCP-J752DW FOR OCE	
1	LEL758001	1	CARTON BROTHER, DCP-J752DW FOR PND	
1	LEL609001	1	CARTON BROTHER, MFC-J285DW	
2	LEK515001	1	PACKING PAD ASSY, DCP-J552DW/MFC-J285DW	
2	LEK225001	1	PULP CUSHION ASSY, PACKING PAD ASSY, DCP-J752DW/MFC-J470DW/J475DW/J650DW/J870DW/J875DW	
3	LEK228001	1	ACCESSORIES SHEET	
4	LEE060001	1	PROTECTIVE PART (SP)	
5	LX7967001	1	BAG 680X770H	

13. OTHERS



13. OTHERS

REF No.	CODE	Q'TY	DESCRIPTION	REMARKS
1	UF8263001	1	TEST CHART-027	
2	UF9258001	1	COLOR TEST CHART CTC-001	
3	UF4600001	1	CONTRAST CHART TC-023	
4	XA9940051	1	TOUCH PEN	
5	ZA0310001	1	HEAD CLEANER STICK ASSY	
6	LX7243001	1	LR FITTING JIG	