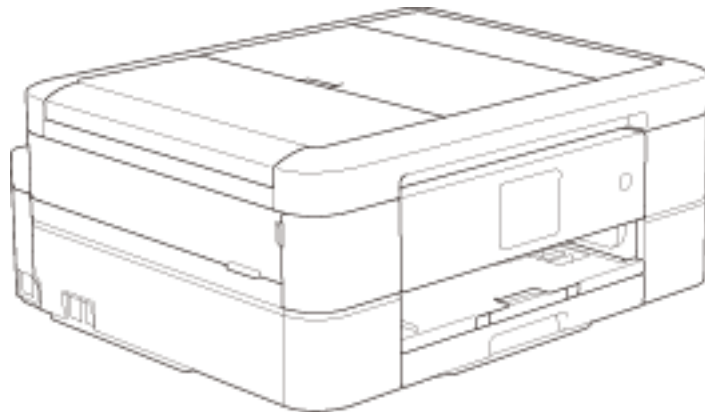




Inkjet MFC

PARTS REFERENCE LIST

**MODEL:DCP-J562DW
MFC-J460DW/J480DW/J485DW/
J680DW/J880DW/J885DW/
J985DW**



Read this list thoroughly before maintenance work.

Keep this list in a convenient place for quick and easy reference at all times.

NOTE FOR USING THIS PARTS REFERENCE LIST

1. In the case of ordering parts, it is necessary to mention the following items;

- (1) Code
- (2) Q'ty
- (3) Description

Note: Orders without Parts Code or Tool No. can not be accepted.

< Example >

REF.NO.	(1) CODE	(2) Q'TY	(3) DESCRIPTION	REMARK

2. Design-changed parts :

If any of the parts is changed, one of the following symbols is indicated in the REMARK column.

CHG(chg) : The parts is changed to a new parts.

ADD(add) : The parts is newly added.

DEL(del) : The parts is deleted.

Symbol in capital letters indicates the latest parts change information in the page.

3. Parts change will be informed by the Parts change information.

4. Parts are subject to change in design without prior notice.

COUNTRIES AND AREAS

US ---- U.S.A.

CAN ---- CANADA

GER ---- GERMANY

UK ---- UNITED KINGDOM

FRA ---- FRANCE

BEL ---- BELGIUM

NLD ---- NETHERLANDS

CHE ---- SWITZERLAND

ITA ---- ITALY

ISR ---- ISRAEL

HK ---- HONG KONG

ASA ---- ASIA (SINGAPORE/GULF)

OCE ---- OCEANIA

(AUSTRALIA/NEW ZEALAND)

PND ---- PAN NORDIC

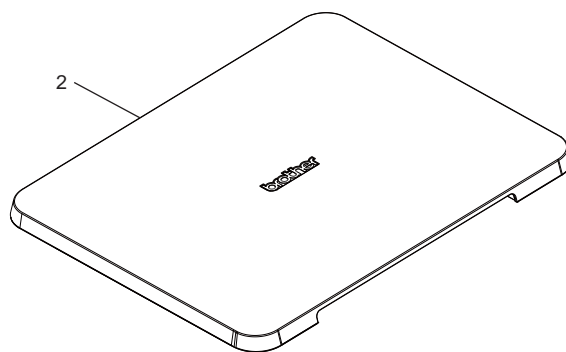
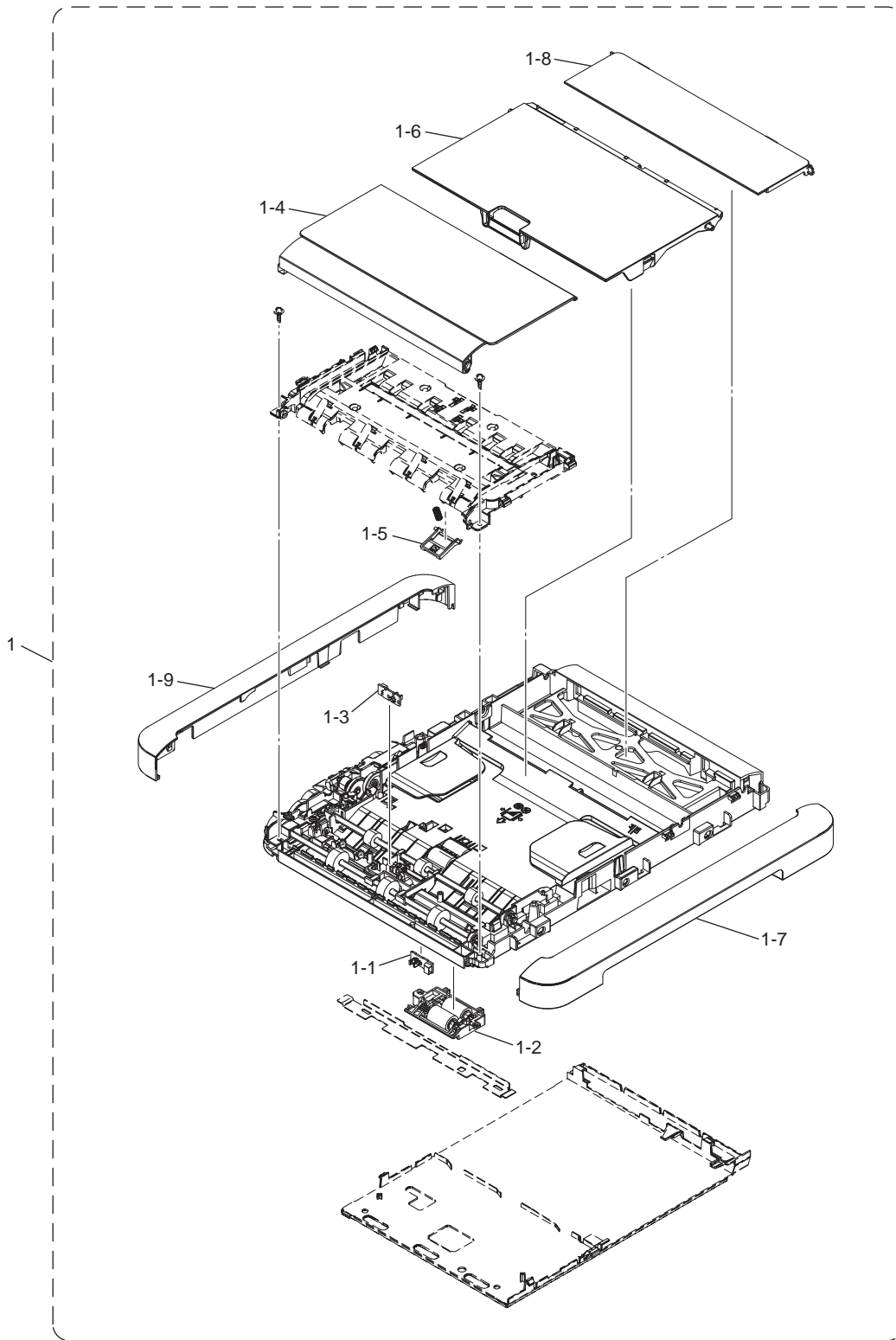
(NORWAY/FINLAND/DENMARK/SWEDEN)

IBR ---- IBERIA

CONTENTS

1.	<u>ADF & DOCUMENT COVER ASSY</u>	1
2.	<u>DOCUMENT SCANNER</u>	3
3.	<u>CARTRIDGE CASE</u>	5
4.	<u>ENGINE</u>	7
5.	<u>HEAD</u>	9
6.	<u>PAPER TRAY</u>	11
7.	<u>COVERS & LABELS</u>	13
8.	<u>PANEL</u>	15
9.	<u>PCB</u>	17
10.	<u>ACCESSORIES</u>	19
11.	<u>PRINTED MATERIALS</u>	21
12.	<u>PACKING MATERIALS</u>	23
13.	<u>OTHERS</u>	25

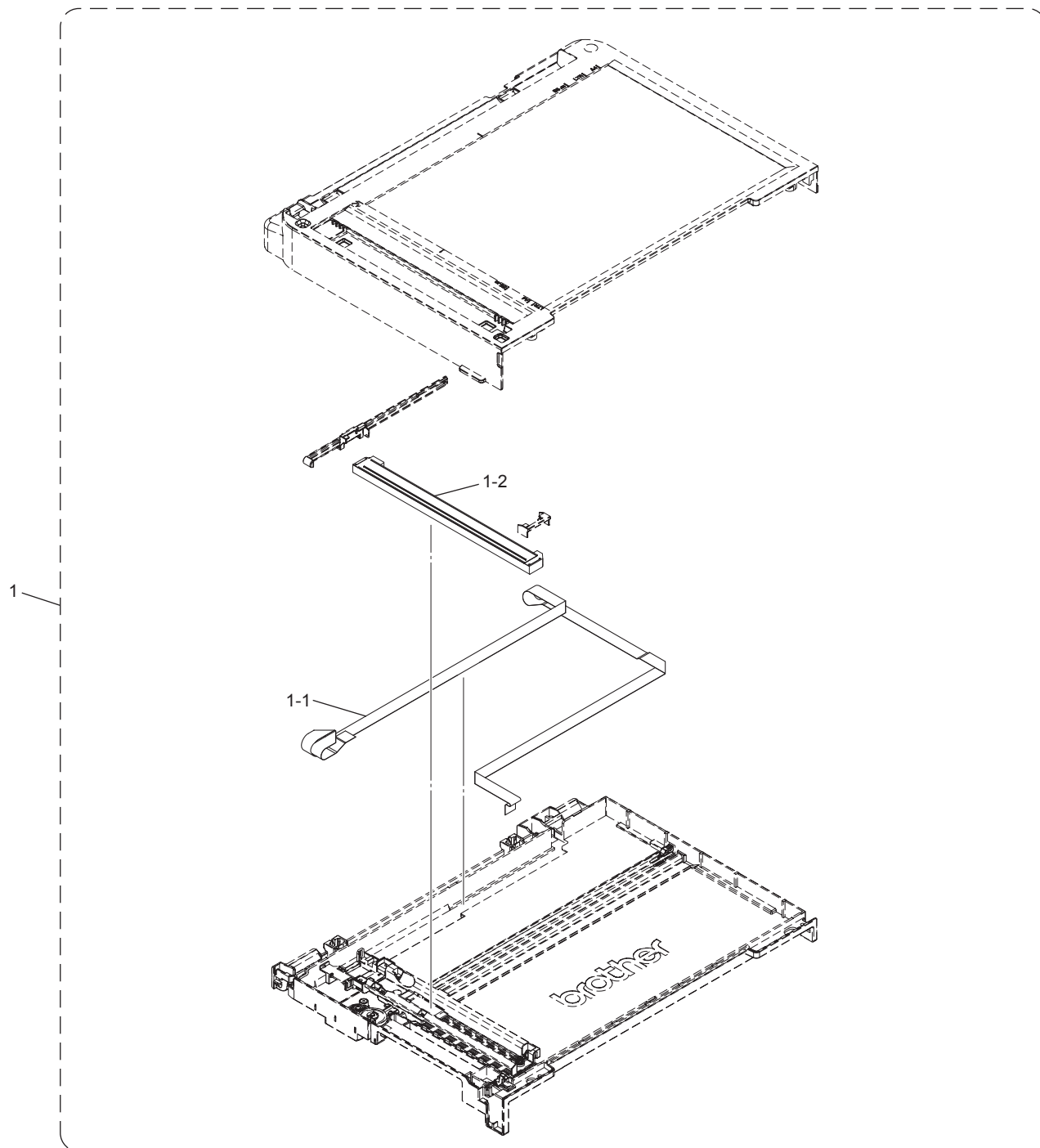
1. ADF & DOCUMENT COVER ASSY



1. ADF & DOCUMENT COVER ASSY

REF No.	CODE	Q'TY	DESCRIPTION	REMARKS
1	LEW589001	1	ADF UNIT (SP), MFC-J460DW/J480DW/J485DW/J680DW	
1	LEW590001	1	ADF UNIT (SP), MFC-J880DW/J885DW/J985DW	
1-1	LG6753001	1	DOCUMENT DETECTION SENSOR PCB ASSY EXCEPT FOR DCP-J562DW	
1-2	LEG765001	1	DOCUMENT SEPARATE ROLLER ASSY EXCEPT FOR DCP-J562DW	
1-3	LG6753001	1	DOCUMENT SCANNING POSITION SENSOR PCB EXCEPT FOR DCP-J562DW	
1-4	LEU194001	1	ADF COVER ASSY, MFC-J460DW/J480DW/J485DW/J680DW	
1-4	LEU619001	1	ADF COVER ASSY, MFC-J880DW/J885DW/J985DW	
1-5	LEU204001	1	ADF SEPARATION PAD HOLDER ASSY EXCEPT FOR DCP-J562DW	
1-6	LET700007	1	ADF DOCUMENT SUPPORT, MFC-J460DW/J480DW/J485DW/J680DW	
1-6	LET699007	1	ADF DOCUMENT SUPPORT, MFC-J880DW/J885DW/J985DW	
1-7	LET702007	1	ADF TOP COVER FRONT EXCEPT FOR DCP-J562DW	
1-8	LET704007	1	ADF TOP COVER CENTER, MFC-J460DW/J480DW/J485DW/J680DW	
1-8	LET703007	1	ADF TOP COVER CENTER, MFC-J880DW/J885DW/J985DW	
1-9	LET706007	1	ADF TOP COVER REAR EXCEPT FOR DCP-J562DW	
2	LEW967001	1	DOCUMENT COVER ASSY (SP), DCP-J562DW	

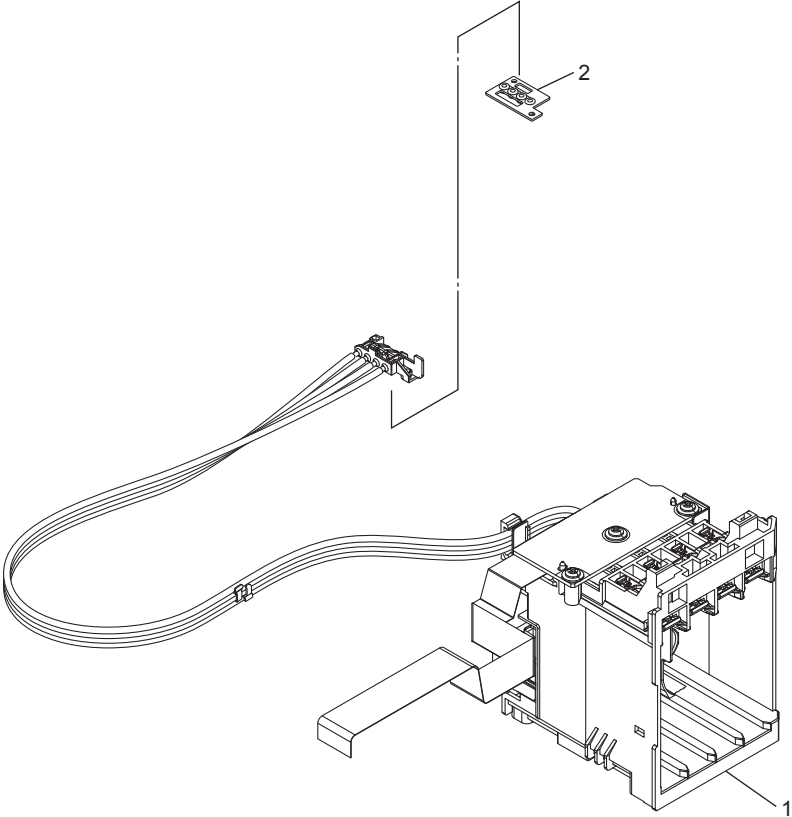
2. DOCUMENT SCANNER



2. DOCUMENT SCANNER

REF No.	CODE	Q'TY	DESCRIPTION	REMARKS
1	LEW598001	1	DOCUMENT SCANNER UNIT (SP), DCP-J562DW	
1	LEW599001	1	DOCUMENT SCANNER UNIT (SP), MFC-J460DW/J480DW/J485DW	
1	LEW600001	1	DOCUMENT SCANNER UNIT (SP), MFC-J680DW/J880DW/J885DW/J985DW	
1-1	LT3448001	1	CIS FLAT CABLE	
1-2	LT2868001	1	CIS UNIT	

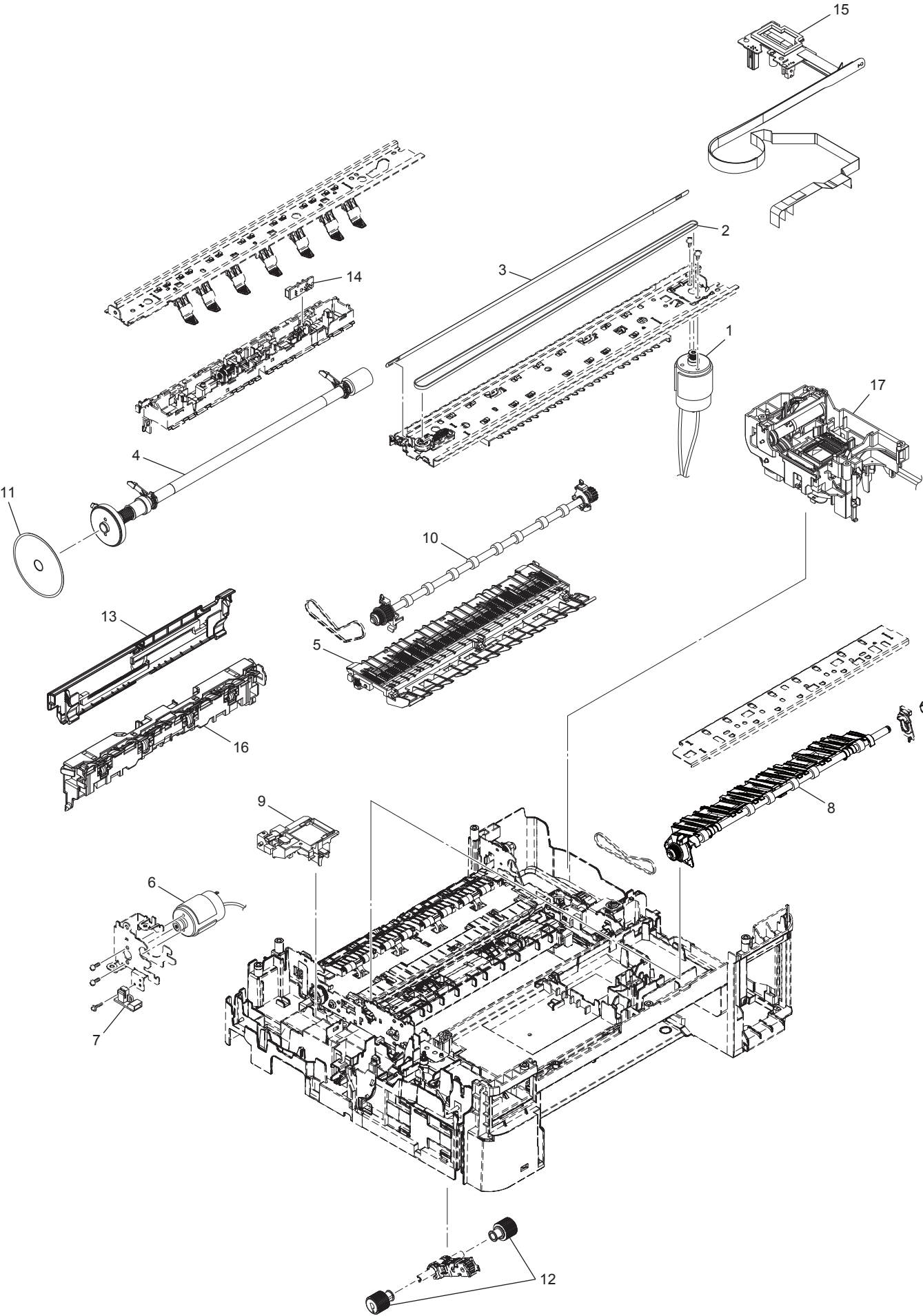
3. CARTRIDGE CASE



3. CARTRIDGE CASE

REF No.	CODE	QTY	DESCRIPTION	REMARKS
1	LEW972001	1	INK REFILL ASSY (SP), DCP-J562DW, MFC-J460DW/J480DW/J485DW	
1	LEW611001	1	INK REFILL ASSY (SP), MFC-J680DW/J880DW/J855DW	
1	LEX173001	1	INK REFILL ASSY (SP), MFC-J985DW	
2	LK5793001	1	HEAD JOINT RUBBER (SP)	

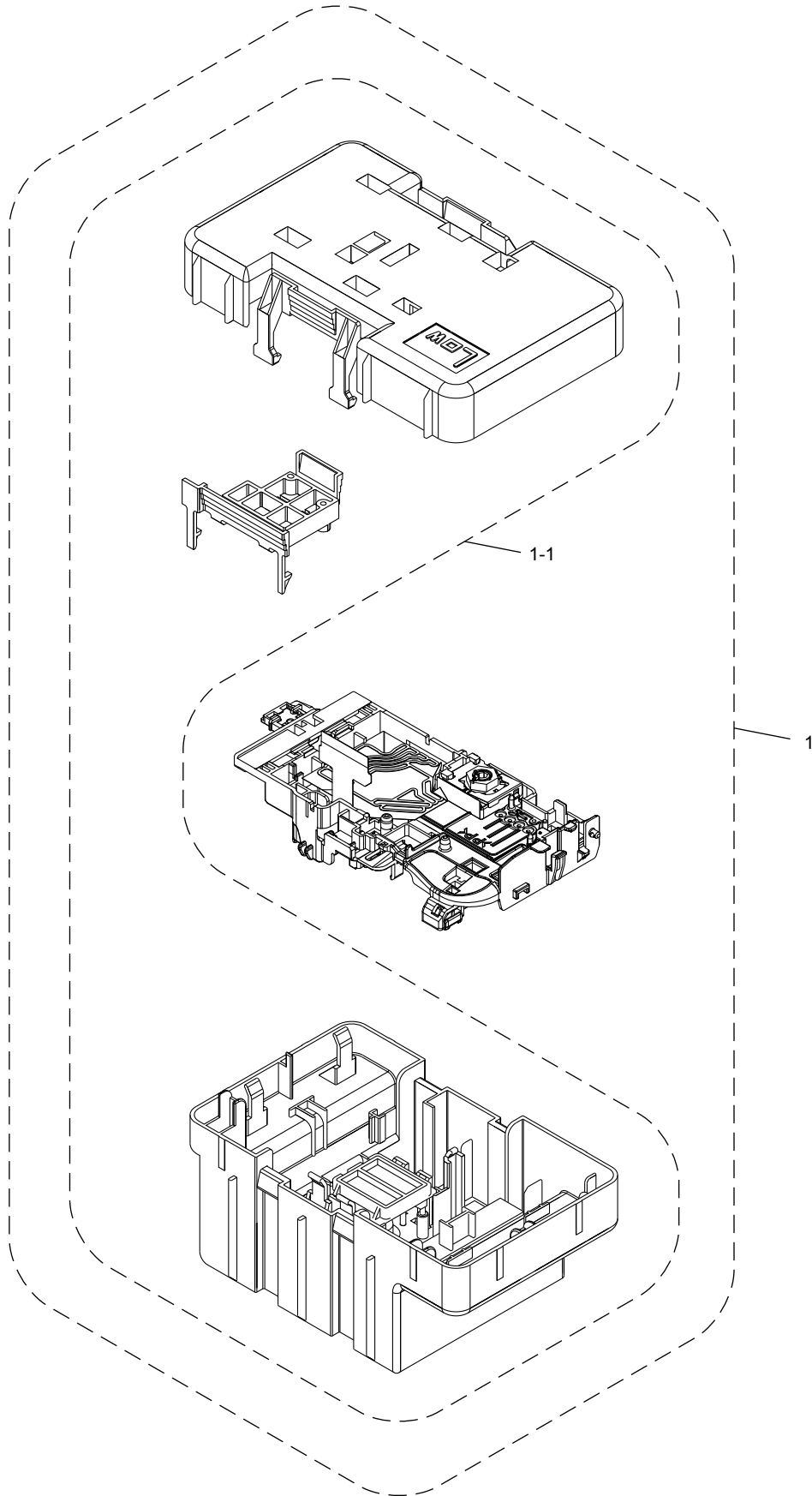
4. ENGINE



4. ENGINE

REF No.	CODE	Q'TY	DESCRIPTION	REMARKS
1	LET663001	1	CARRIAGE MOTOR ASSY	
2	LX6677001	1	CR TIMING BELT	
3	LET656001	1	CR ENCODER STRIP	
4	LEW616001	1	PAPER FEED ROLLER (SP)	
5	LET886001	1	PLATEN ASSY	
6	LET916001	1	PAPER FEED MOTOR	
7	LT1509002	1	PF ENCODER SENSOR PCB ASSY	
8	LET892001	1	SWITCHBACK ROLLER	
9	LET902001	1	FLUSHING BASE	
10	LET881001	1	PAPER EJECTION ROLLER ASSY	
11	LP1471001	1	PF ENCODER DISK	
12	LEU023001	2	PAPER PULL-IN ROLLER	
13	LEU035001	1	MANUAL FEED SLOT ASSY, DCP-J562DW, MFC-J680DW/J880DW/J885DW/J985DW	
14	LT2644001	1	REGISTRATION SENSOR PCB ASSY	
15	LEW971001	1	CARRIAGE PCB ASSY (SP), DCP-J562DW, MFC-J460DW/J480DW/J485DW	
15	LEW606001	1	CARRIAGE PCB ASSY (SP), MFC-J680DW/J880DW/J885DW/J985DW FOR US/CAN	
15	LEW606002	1	CARRIAGE PCB ASSY (SP), MFC-J680DW/J880DW/J985DW FOR GER/UK/FRA/BEL/ CHE/ITA/ISR/HK/ASA/OCE/PND/IBR	
16	LEU006001	1	JAM CLEAR COVER	
17	LEW607001	1	MAINTENANCE UNIT (SP), DCP-J562DW, MFC-J460DW/J480DW/J485DW	
17	LEW608001	1	MAINTENANCE UNIT (SP), MFC-J680DW/J880DW/J885DW/J985DW	

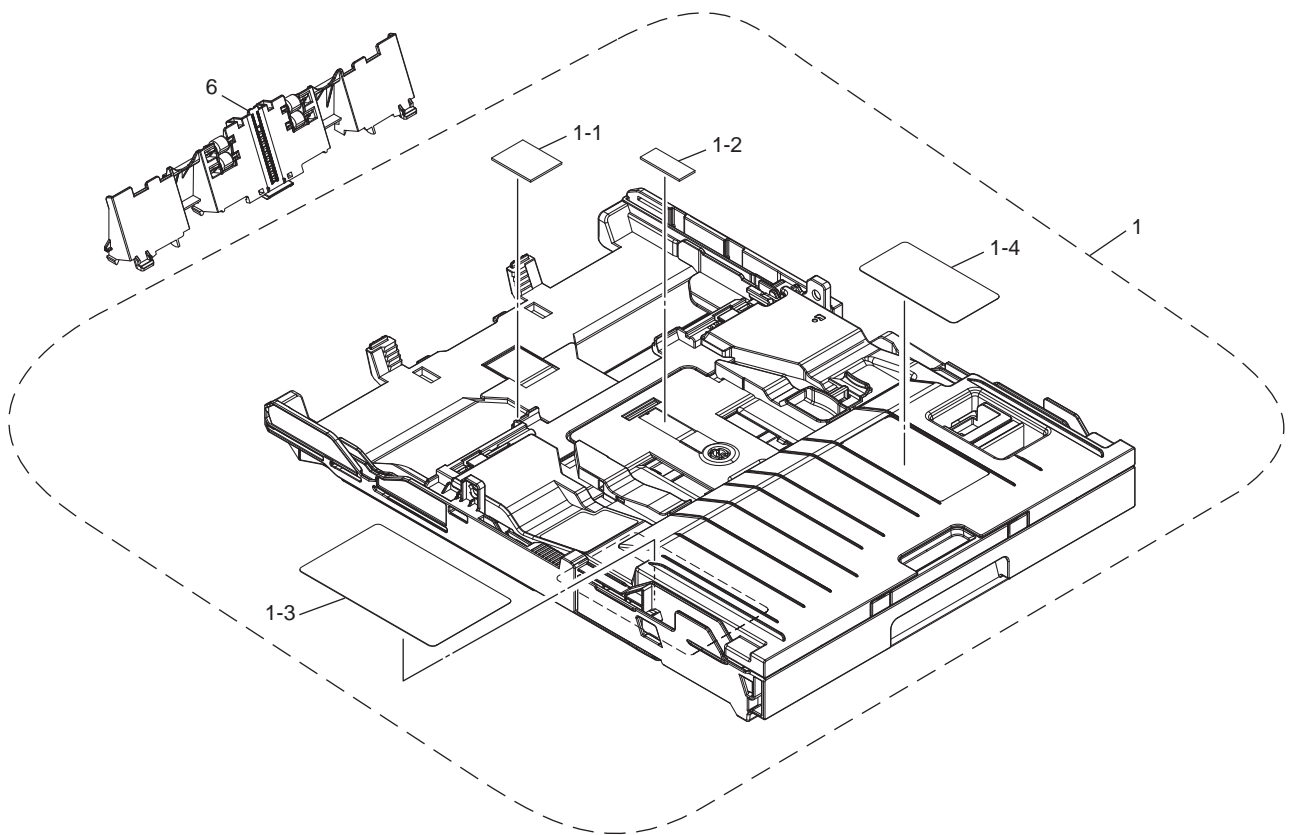
5. HEAD



5. HEAD

REF No.	CODE	QTY	DESCRIPTION	REMARKS
1	LKB109001	1	HEAD/CARRIAGE UNIT (SP), DCP-J562DW, MFC-J460DW/J480DW/J485DW	
1	LK9025001	1	HEAD/CARRIAGE UNIT (SP), MFC-J680DW/J880DW/J885DW/J985DW	
1-1	LKB193001	1	PROTECTOR SUPPLY ASSY (SP), DCP-J562DW, MFC-J460DW/J480DW/J485DW	
1-1	LK9028001	1	PROTECTOR SUPPLY ASSY (SP), MFC-J680DW/J880DW/J885DW/J985DW	

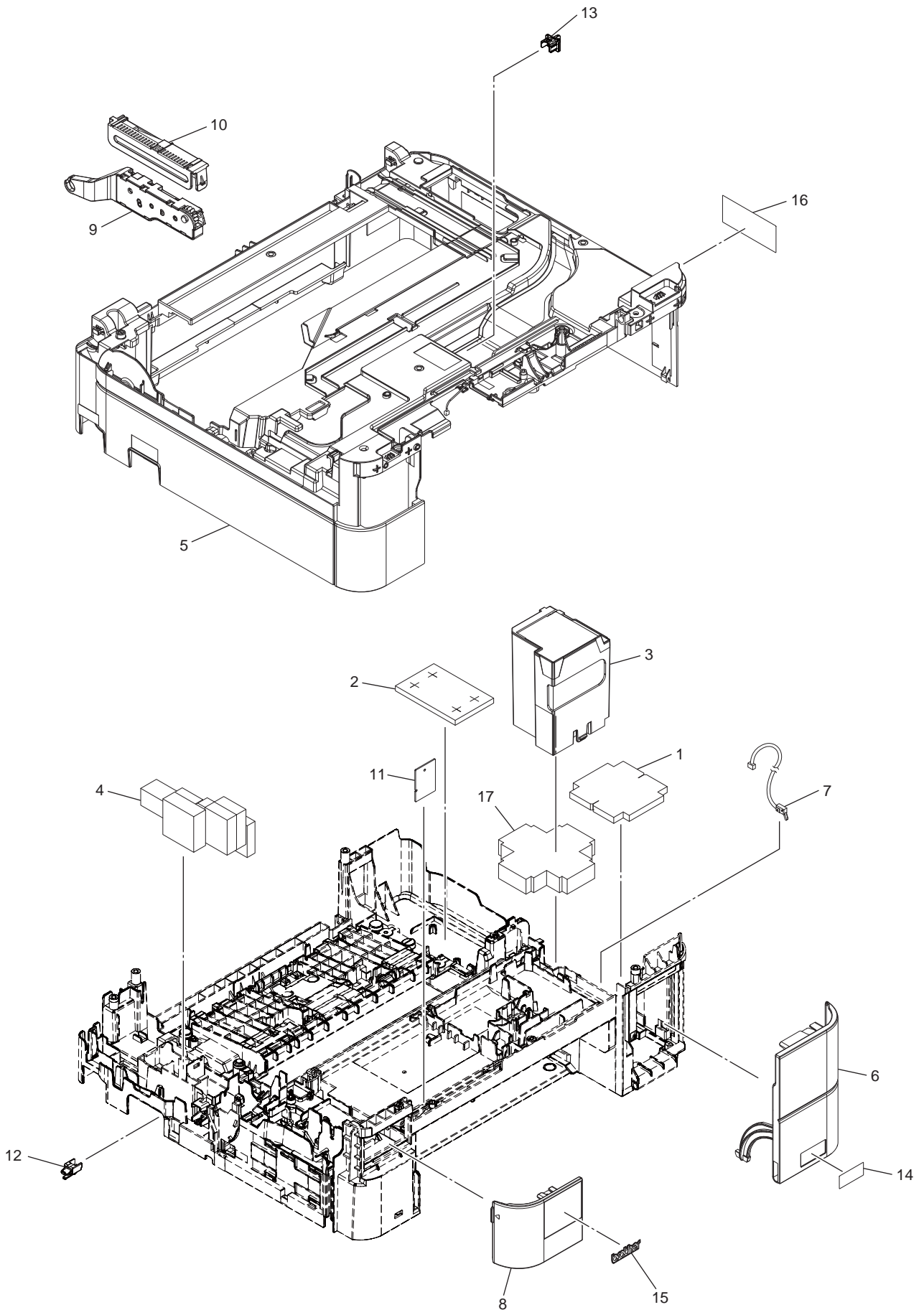
6. PAPER TRAY



6. PAPER TRAY

REF No.	CODE	QTY	DESCRIPTION	REMARKS
1	LEX305001	1	PAPER TRAY ASSY SP, MFC-J460DW/J480DW/J485DW FOR US/CAN	CHG
1	LEX304001	1	PAPER TRAY ASSY SP, DCP-J562DW, MFC-J680DW/J880DW/J985DW FOR GER/UK/FRA/BEL/NLD/CHE/ITA/ISR/HK/ASA/OCE/PND/IBR	CHG
1	LEX307001	1	PAPER TRAY ASSY SP, MFC-J680DW/J880DW/J885DW/J985DW FOR US/CAN	CHG
1	LEX306001	1	PAPER TRAY ASSY SP, MFC-J480DW FOR GER/UK/FRA/BEL/NLD/CHE/ITA/ISR/HK/ASA/OCE/PND/IBR	CHG
1-1	LEW229001	1	BASE PAD W	
1-2	LEU115001	1	BASE PAD, DCP-J562DW, MFC-J680DW/J880DW/J885DW/J985DW	
1-3	LEW108001	1	PAPER FACE GUIDE LABEL	
1-4	LEU242001	1	SECOND TRAY INSTRUCTION LABEL, DCP-J562DW, MFC-J680DW/J880DW/J885DW/J985DW	
6	LEU117001	1	BANK ASSY	

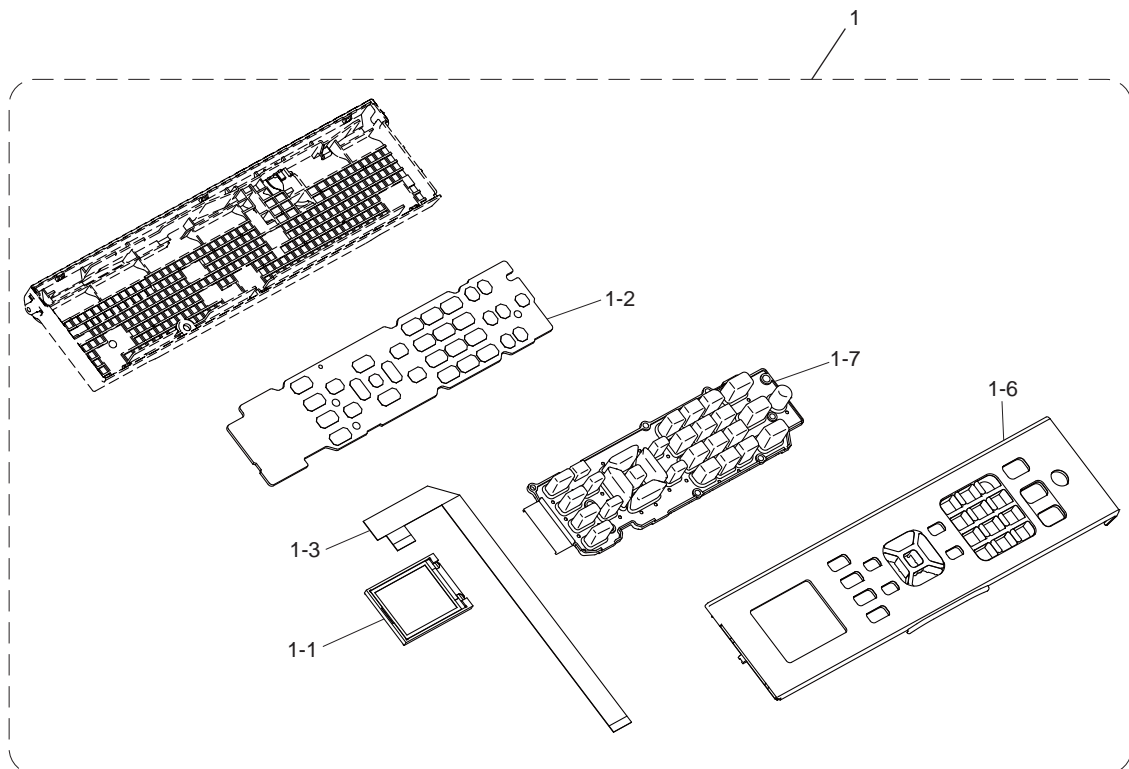
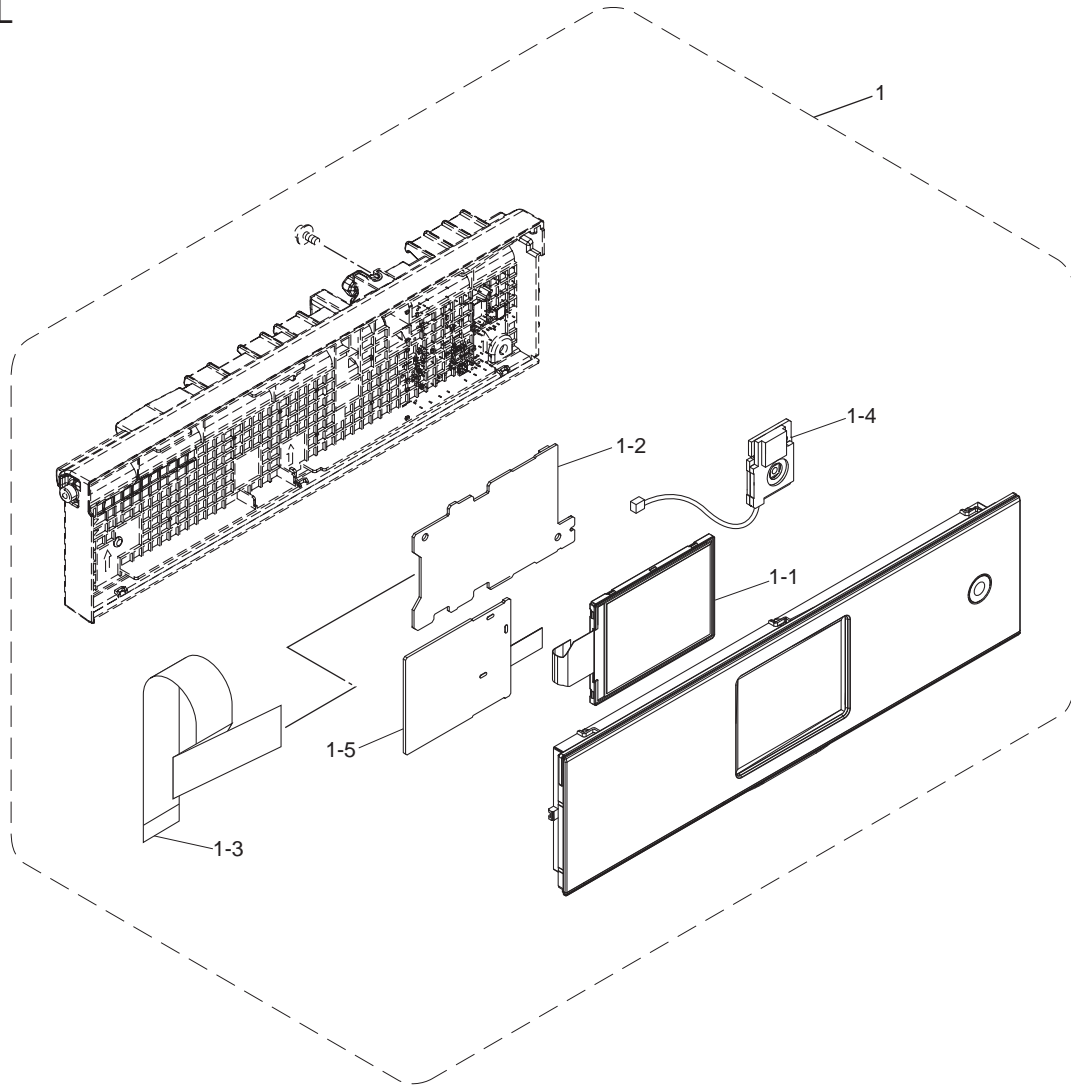
7. COVERS & LABELS



7. COVERS & LABELS

REF No.	CODE	QTY	DESCRIPTION	REMARKS
1	LEK212001	1	INK ABSORBER FELT (FOR INK REFILL ASSY) EXCEPT FOR MFC-J985DW	
1	LEX143001	1	INK ABSORBER FELT (FOR INK REFILL ASSY), MFC-J985DW	
2	LX7296001	1	INK ABSORBER FELT (FOR MAINTENANCE UNIT)	
3	LEU169001	1	INK ABSORBER BOX	
4	LEW804001	1	FLUSHING FORM ASSY SP	
5	LEW815001	1	UPPER COVER SP, DCP-J562DW	
5	LEW816001	1	UPPER COVER SP, MFC-J460DW/J480DW/J485DW	
5	LEW817001	1	UPPER COVER SP, MFC-J680DW	
5	LEW818001	1	UPPER COVER SP, MFC-J880DW/J885DW	
5	D00BYJ001	1	UPPER COVER SP, MFC-J985DW	
6	LET863007	1	INK CARTRIDGE COVER, EXCEPT FOR MFC-J985DW	
6	LEX142007	1	INK CARTRIDGE COVER, MFC-J985DW	
7	LT3463001	1	INK CARTRIDGE COVER SENSOR ASSY	
8	LEU531007	1	FRONT COVER, DCP-J562DW	
8	LET865007	1	FRONT COVER, MFC-J680DW/J880DW/J885DW/J985DW	
9	LEU670001	1	SCANNER COVER SUPPORT, DCP-J562DW	
9	LEU184001	1	SCANNER COVER SUPPORT, MFC-J460DW/J480DW/J485DW/J680DW/ J880DW/J885DW/J985DW	
10	LEU183001	1	SCANNER COVER DAMPER	
11	LD1969001	1	WIRELESS LAN PCB ASSY	CHG
12	LEW048001	1	EXT CAP EXCEPT FOR DCP-J562DW FOR US/CAN/NLD/CHE/ITA/ISR/HK/ ASA/OCE/PND/IBR	
12	UF5745000	1	MJ COVER EXT EXCEPT FOR DCP-J562DW FOR GER/UK/FRA/BEL	
13	LEW047001	1	LAN PORT CAP, MFC-J880DW/J885DW/J985DW	
14	LX3721001	1	INNOBELLA LABEL EXCEPT FOR MFC-J985DW FOR US	
14	LX3722001	1	INNOBELLA LABEL EXCEPT FOR MFC-J985DW EXCEPT FOR US	
14	LEW468001	1	INKVESTMENT LABEL, MFC-J985DW FOR US/CAN	
14	LEX288001	1	INKBENEFIT LABEL, MFC-J985DW FOR GER/UK/FRA/ITA	
15	LEU638001	1	EMBLEM BROTHER SHEET EXCEPT FOR DCP-J562DW	
16	LEU212001	1	USER ACCESS PORT LABEL, DCP-J562DW, MFC-J460DW/J480DW/J485DW/J680DW	
16	LEU217001	1	USER ACCESS PORT LABEL, MFC-J880DW/J885DW/J985DW	
17	LEX144001	1	INK ABSORBER FELT B (FOR INK REFILL ASSY), MFC-J985DW	

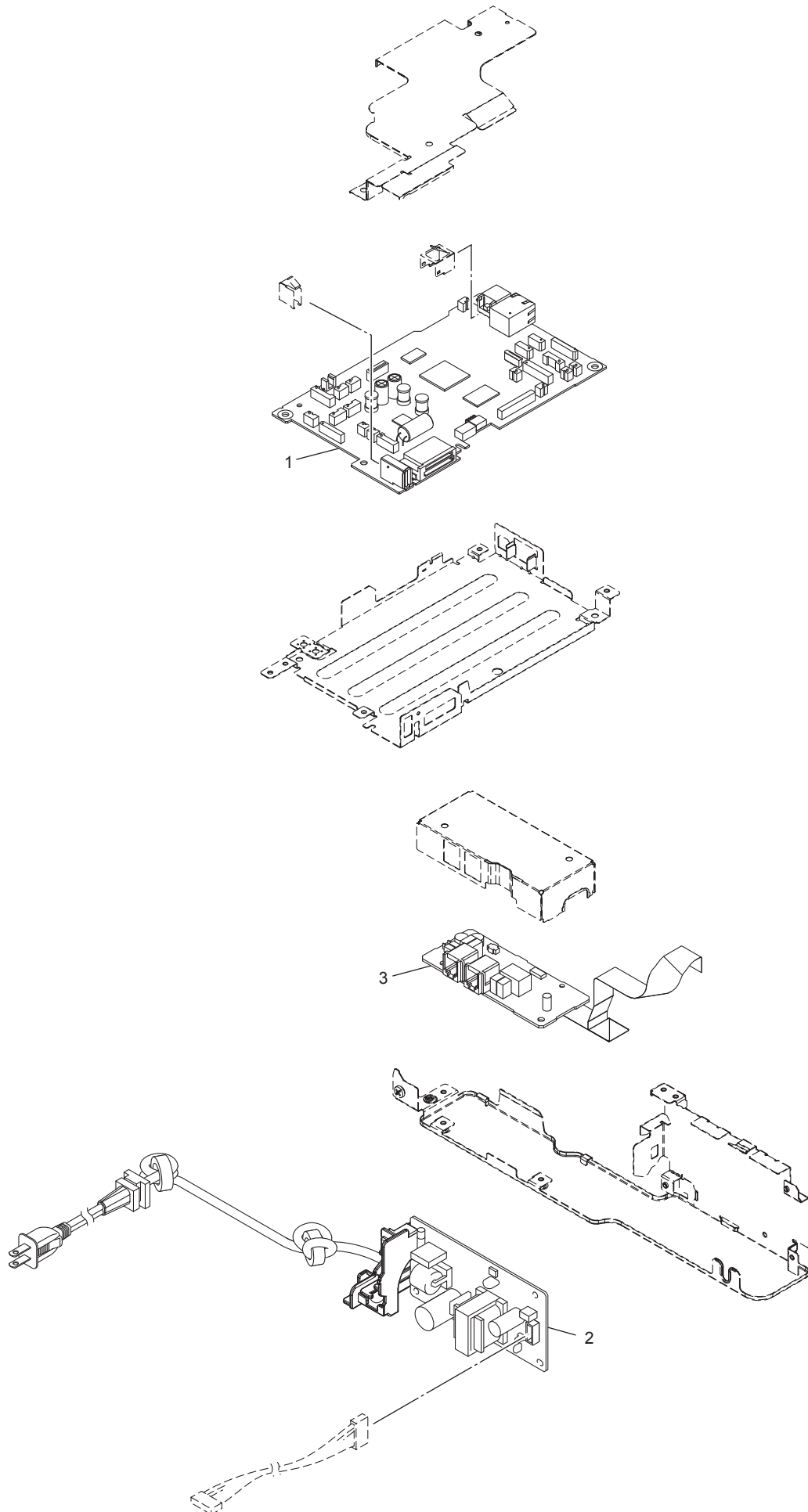
8. PANEL



8. PANEL

REF No.	CODE	QTY	DESCRIPTION	REMARKS
1	LEU688001	1	CONTROL PANEL ASSY, DCP-J562DW FOR GER/UK/FRA/CHE/ITA/ASA/OCE/PND/IBR	
1	LEX046001	1	CONTROL PANEL ASSY, MFC-J460DW FOR US	
1	LEU208001	1	CONTROL PANEL ASSY, MFC-J480DW FOR US/CAN	
1	LEW888001	1	CONTROL PANEL ASSY, MFC-J480DW FOR GER	
1	LEU712001	1	CONTROL PANEL ASSY, MFC-J480DW FOR UK/BEL/CHE/ISR	
1	LEW893001	1	CONTROL PANEL ASSY, MFC-J480DW FOR FRA	
1	LEX016001	1	CONTROL PANEL ASSY, MFC-J480DW FOR NLD	
1	LEW900001	1	CONTROL PANEL ASSY, MFC-J480DW FOR ITA	
1	LEX151001	1	CONTROL PANEL ASSY, MFC-J480DW FOR HK	
1	LEX018001	1	CONTROL PANEL ASSY, MFC-J480DW FOR ASA/OCE	
1	LEX020001	1	CONTROL PANEL ASSY, MFC-J480DW FOR PND	
1	LEW905001	1	CONTROL PANEL ASSY, MFC-J480DW FOR IBR	
1	LEW797001	1	CONTROL PANEL ASSY, MFC-J485DW FOR US/CAN	
1	LEU620001	1	CONTROL PANEL ASSY, MFC-J680DW FOR US/CAN	
1	LEU714001	1	CONTROL PANEL ASSY, MFC-J680DW FOR GER/UK/FRA/BEL/CHE/ITA/ISR/ HK/ASA/OCE/PND	
1	LEU623001	1	CONTROL PANEL ASSY, MFC-J880DW FOR US	
1	LEU717001	1	CONTROL PANEL ASSY, MFC-J880DW FOR GER/UK/FRA/BEL/NLD/CHE/ ITA/HK/ASA/OCE/IBR	
1	LEW571001	1	CONTROL PANEL ASSY, MFC-J885DW FOR US/CAN	
1	LEX202001	1	CONTROL PANEL ASSY, MFC-J985DW FOR US/CAN	
1	LEX204001	1	CONTROL PANEL ASSY, MFC-J985DW FOR GER/UK/FRA/ITA	
1-1	A63535001	1	LCD UNIT ASSY, DCP-J562DW, MFC-J680DW/J880DW/J885DW/J985DW	
1-1	A63595001	1	LCD UNIT ASSY, MFC-J480DW	
1-1	A63597001	1	LCD UNIT ASSY, MFC-J460DW/J485DW	
1-2	LT3378001	1	PANEL PCB ASSY, MFC-J460DW/J480DW/J485DW	
1-2	LT3384001	1	PANEL PCB ASSY, DCP-J562DW, MFC-J680DW	
1-2	LT3384002	1	PANEL PCB ASSY, MFC-J880DW/J885DW/J985DW	
1-3	LT3467001	1	PANEL FLAT CABLE, DCP-J562DW, MFC-J680DW/J880DW/J885DW/J985DW	
1-3	LT3468001	1	PANEL FLAT CABLE, MFC-J460DW/J480DW/J485DW	
1-4	LT3026004	1	ON/OFF KEY PCB ASSY, DCP-J562DW, MFC-J680DW/J880DW/J885DW/J985DW	
1-5	LT3566002	1	NFC PCB, MFC-J880DW/J885DW/J985DW	
1-6	LEX047001	1	PRINTED PANEL COVER, MFC-J460DW FOR US	
1-6	LET831001	1	PRINTED PANEL COVER, MFC-J480DW FOR US/CAN	
1-6	LEW798001	1	PRINTED PANEL COVER, MFC-J485DW FOR US/CAN	
1-6	LEW889001	1	PRINTED PANEL COVER, MFC-J480DW FOR GER	
1-6	LEU713001	1	PRINTED PANEL COVER, MFC-J480DW FOR UK/BEL/CHE/ISR	
1-6	LEW894001	1	PRINTED PANEL COVER, MFC-J480DW FOR FRA	
1-6	LEX017001	1	PRINTED PANEL COVER, MFC-J480DW FOR NLD	
1-6	LEW901001	1	PRINTED PANEL COVER, MFC-J480DW FOR ITA	
1-6	LEX152001	1	PRINTED PANEL COVER, MFC-J480DW FOR HK	
1-6	LEX019001	1	PRINTED PANEL COVER, MFC-J480DW FOR ASA/OCE	
1-6	LEX021001	1	PRINTED PANEL COVER, MFC-J480DW FOR PND	
1-6	LEW906001	1	PRINTED PANEL COVER, MFC-J480DW FOR IBR	
1-7	LET835001	1	RUBBER KEY, MFC-J460DW/J480DW/J485DW	

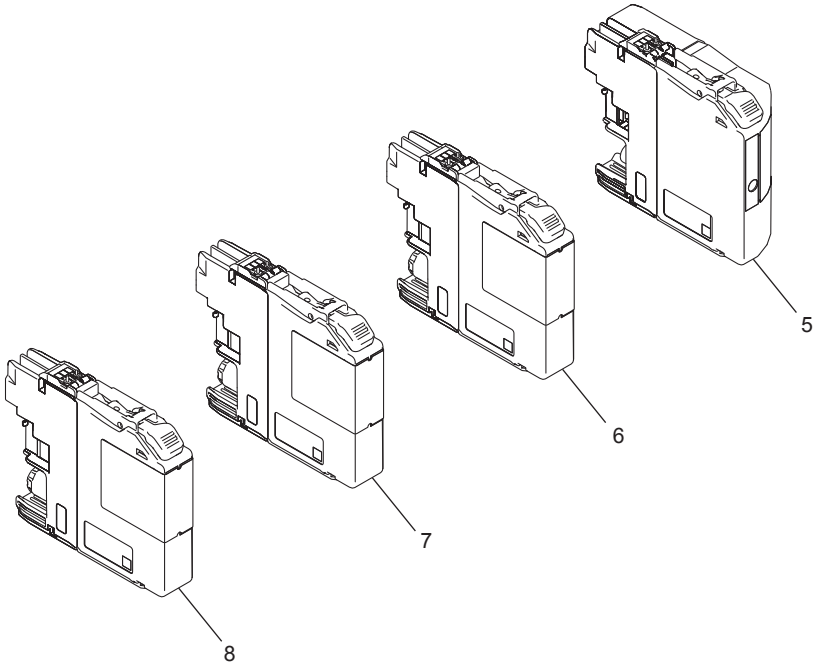
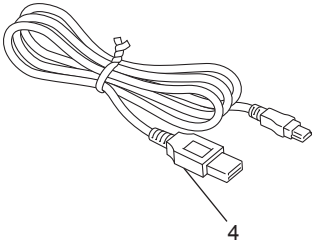
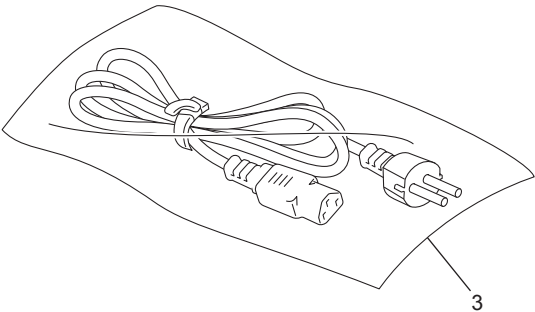
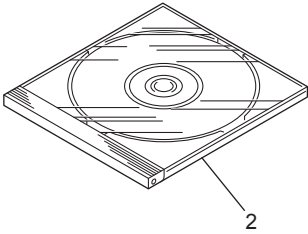
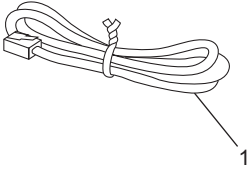
9. PCB



9. PCB

REF No.	CODE	Q'TY	DESCRIPTION	REMARKS
1	LT3869004	1	MAIN PCB ASSY SP, DCP-J562DW FOR GER/UK/FRA/CHE/ITA/IBR/PND (PRESET 74 CODE:0004)	
1	LT3869040	1	MAIN PCB ASSY SP, DCP-J562DW FOR ASA (PRESET 74 CODE:0040)	
1	LT3869056	1	MAIN PCB ASSY SP, DCP-J562DW FOR OCE (PRESET 74 CODE:0056)	
1	LT3870001	1	MAIN PCB ASSY SP, MFC-J460DW/J480DW/J485DW FOR US/CAN (PRESET 74 CODE:0001)	
1	LT3870004	1	MAIN PCB ASSY SP, MFC-J480DW FOR GER/UK/FRA/BEL/NLD/CHE/ITA/ISR/ PND/IBR (PRESET 74 CODE:0004)	
1	LT3870040	1	MAIN PCB ASSY SP, MFC-J480DW FOR HK/ASA (PRESET 74 CODE:0040)	
1	LT3870056	1	MAIN PCB ASSY SP, MFC-J480DW FOR OCE (PRESET 74 CODE:0056)	
1	LT3871001	1	MAIN PCB ASSY SP, MFC-J680DW FOR US/CAN (PRESET 74 CODE: 0001)	
1	LT3871004	1	MAIN PCB ASSY SP, MFC-J680DW FOR GER/UK/FRA/BEL/CHE/ITA/ISR/PND (PRESET 74 CODE:0004)	
1	LT3871040	1	MAIN PCB ASSY SP, MFC-J680DW FOR HK/ASA (PRESET 74 CODE:0040)	
1	LT3871056	1	MAIN PCB ASSY SP, MFC-J680DW FOR OCE (PRESET 74 CODE:0056)	
1	LT3872001	1	MAIN PCB ASSY SP, MFC-J880DW/J885DW FOR US/CAN (PRESET 74 CODE: 0001)	
1	LT3872004	1	MAIN PCB ASSY SP, MFC-J880DW FOR GER/UK/FRA/BEL/NLD/CHE/ITA/IBR (PRESET 74 CODE: 0004)	
1	LT3872040	1	MAIN PCB ASSY SP, MFC-J880DW FOR HK/ASA (PRESET 74 CODE:0040)	
1	LT3872056	1	MAIN PCB ASSY SP, MFC-J880DW FOR OCE (PRESET 74 CODE:0056)	
1	LT3943001	1	MAIN PCB ASSY SP, MFC-J985DW FOR US/CAN (PRESET 74 CODE:0201)	
1	LT3943004	1	MAIN PCB ASSY SP, MFC-J985DW FOR GER/UK/FRA/ITA (PRESET 74 CODE:0204)	
2	LT3517001	1	POWER SUPPLY PCB ASSY FOR US/CAN	
2	LT3560001	1	POWER SUPPLY PCB ASSY FOR GER/UK/FRA/BEL/NLD/CHE/ITA/ISR/ HK/ASA/OCE/PND/IBR	
3	LT3428001	1	MODEM PCB ASSY EXCEPT FOR DCP-J562DW FOR US/CAN/HK/ASA	
3	LT3428002	1	MODEM PCB ASSY EXCEPT FOR DCP-J562DW FOR GER/UK/FRA/BEL/ NLD/CHE/ITA/ISR/PND/IBR	
3	LT3428004	1	MODEM PCB ASSY EXCEPT FOR DCP-J562DW FOR OCE	

10. ACCESSORIES

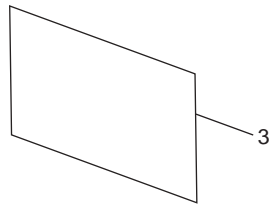
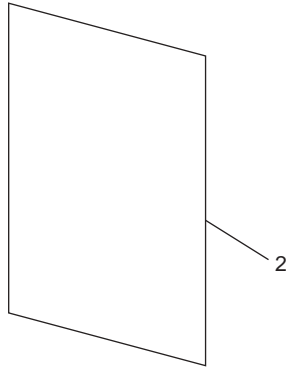
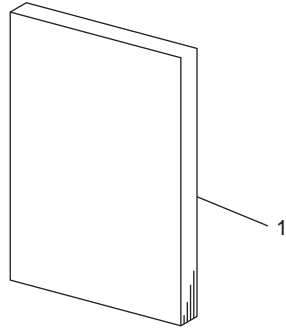


10. ACCESSORIES

REF No.	CODE	Q'TY	DESCRIPTION	REMARKS
1	LG3077001	1	TELEPHONE LINE CORD CSA, MFC-J460DW/J480DW/J485DW/J680DW/J880DW/J885DW/J985DW FOR US/CAN/UK/NLD/ISR/ASA/IBR	
1	UG3625001	1	TELEPHONE LINE CORD, MFC-J480DW/J680DW/J880DW/J985DW FOR GER	
1	UG3626001	1	TELEPHONE LINE CORD UK6P, MFC-J480DW/J680DW/J880DW/J985DW FOR UK	
1	UG3627001	1	TELEPHONE LINE CORD, MFC-J480DW/J680DW/J880DW/J985DW FOR FRA	
1	UG1575001	1	TELEPHONE LINE CORD BEL, MFC-J480DW/680DW/J880DW FOR BEL	
1	LG7202001	1	TELEPHONE LINE CORD, MFC-J480DW/J680DW/J880DW FOR CHE	
1	LT2144001	1	TELEPHONE LINE CORD, MFC-J480DW/J680DW/J880DW/J985DW FOR ITA	
1	LT3317001	1	TELEPHONE LINE CORD CSA2, MFC-J480DW/J680DW/J880DW FOR OCE	
1	UG3290001	1	TELEPHONE LINE CORD NZ, MFC-J480DW/J680DW/J880DW FOR HK/OCE	
1	LG5827001	1	TELEPHONE LINE CORD, MFC-J480DW/J680DW FOR PND	
2	LEW524001	1	CD-ROM ASSY, DCP-J562DW	
2	LEW526001	1	CD-ROM ASSY, MFC-J460DW/J480DW/J485DW	
2	LEX095001	1	CD-ROM ASSY, MFC-J480DW FOR HK	
2	LEU309001	1	CD-ROM ASSY, MFC-J680DW FOR US/CAN/GER/UK/FRA/ITA	
2	LEW979001	1	CD-ROM ASSY, MFC-J680DW FOR BEL/CHE/ISR/ASA/OCE/PND	
2	LEX096001	1	CD-ROM ASSY, MFC-J680DW FOR HK	
2	LEU308001	1	CD-ROM ASSY, MFC-J880DW/J885DW EXCEPT FOR BEL/NLD/CHE/ASA/OCE	
2	LEW978001	1	CD-ROM ASSY, MFC-J880DW FOR BEL/NLD/CHE/ASA/OCE	
2	LEX097001	1	CD-ROM ASSY, MFC-J880DW FOR HK	
2	LEX208001	1	CD-ROM ASSY, MFC-J985DW	
3	LT2652001	1	AC CORD BAG ASSY FOR UK/HK/ASA	
3	LT2744001	1	AC CORD BAG ASSY FOR GER/FRA/BEL/NLD/ITA/IBR	
3	LT2899001	1	AC CORD BAG ASSY FOR CHE	
3	LT3210001	1	AC CORD BAG ASSY FOR ISR	
3	LT2746001	1	AC CORD BAG ASSY FOR OCE	
3	LT3385001	1	AC CORD BAG ASSY FOR PND	
4	LT3290001	1	USB CABLE	
5	LK9304001	1	INITIAL SETUP STARTER CARTRIDGE LC201 BK EXCEPT FOR MFC-J985DW FOR US/CAN	
5	LK9832001	1	INITIAL SETUP STARTER CARTRIDGE LC20E BK, MFC-J985DW FOR US/CAN	
5	LK9332001	1	INITIAL SETUP STARTER CARTRIDGE LC221 BK EXCEPT FOR MFC-J985DW FOR GER/UK/FRA/BEL/NLD/CHE/ITA/ISR/PND/IBR	
5	LKB769001	1	INITIAL SETUP STARTER CARTRIDGE LC22U BK, MFC-J985DW FOR GER/UK/FRA/ITA	
5	LKB294001	1	INITIAL SETUP STARTER CARTRIDGE LC231 BK FOR OCE	
5	LKB330001	1	INITIAL SETUP STARTER CARTRIDGE LC261 BK FOR HK/ASA	
6	LK9307001	1	INITIAL SETUP STARTER CARTRIDGE LC201 Y EXCEPT FOR MFC-J985DW FOR US/CAN	
6	LK9835001	1	INITIAL SETUP STARTER CARTRIDGE LC20E Y, MFC-J985DW FOR US/CAN	
6	LK9335001	1	INITIAL SETUP STARTER CARTRIDGE LC221 Y EXCEPT FOR MFC-J985DW FOR GER/UK/FRA/BEL/NLD/CHE/ITA/ISR/PND/IBR	
6	LKB772001	1	INITIAL SETUP STARTER CARTRIDGE LC22U Y, MFC-J985DW FOR GER/UK/FRA/ITA	
6	LKB297001	1	INITIAL SETUP STARTER CARTRIDGE LC231 Y FOR OCE	
6	LKB333001	1	INITIAL SETUP STARTER CARTRIDGE LC261 Y FOR HK/ASA	
7	LK9305001	1	INITIAL SETUP STARTER CARTRIDGE LC201 C EXCEPT FOR MFC-J985DW FOR US/CAN	
7	LK9833001	1	INITIAL SETUP STARTER CARTRIDGE LC20E C, MFC-J985DW FOR US/CAN	
7	LK9333001	1	INITIAL SETUP STARTER CARTRIDGE LC221 C EXCEPT FOR MFC-J985DW FOR GER/UK/FRA/BEL/NLD/CHE/ITA/ISR/PND/IBR	
7	LKB770001	1	INITIAL SETUP STARTER CARTRIDGE LC22U C, MFC-J985DW FOR GER/UK/FRA/ITA	
7	LKB295001	1	INITIAL SETUP STARTER CARTRIDGE LC231 C FOR OCE	
7	LKB331001	1	INITIAL SETUP STARTER CARTRIDGE LC261 C FOR HK/ASA	
8	LK9306001	1	INITIAL SETUP STARTER CARTRIDGE LC201 M EXCEPT FOR MFC-J985DW FOR US/CAN	
8	LK9834001	1	INITIAL SETUP STARTER CARTRIDGE LC20E M, MFC-J985DW FOR US/CAN	
8	LK9334001	1	INITIAL SETUP STARTER CARTRIDGE LC221 M EXCEPT FOR MFC-J985DW FOR GER/UK/FRA/BEL/NLD/CHE/ITA/ISR/PND/IBR	
8	LKB771001	1	INITIAL SETUP STARTER CARTRIDGE LC22U M, MFC-J985DW FOR GER/UK/FRA/ITA	
8	LKB296001	1	INITIAL SETUP STARTER CARTRIDGE LC231 M FOR OCE	
8	LKB332001	1	INITIAL SETUP STARTER CARTRIDGE LC261 M FOR HK/ASA	
(9)	UG3468000	1	TELEPHONE PLUG, MFC-J480DW/J680DW/J880DW FOR HK	
(9)	LT3927001	1	TELEPHONE PLUG, MFC-J480DW/J680DW/J880DW FOR OCE	
(9)	LG5828001	1	TELEPHONE PLUG DEN, MFC-J480DW/J680DW FOR PND	
(9)	LG5830001	1	TELEPHONE PLUG SWE, MFC-J480DW/J680DW FOR PND	
(9)	LG5829001	1	TELEPHONE PLUG FIN, MFC-J480DW/J680DW FOR PND	

CHG

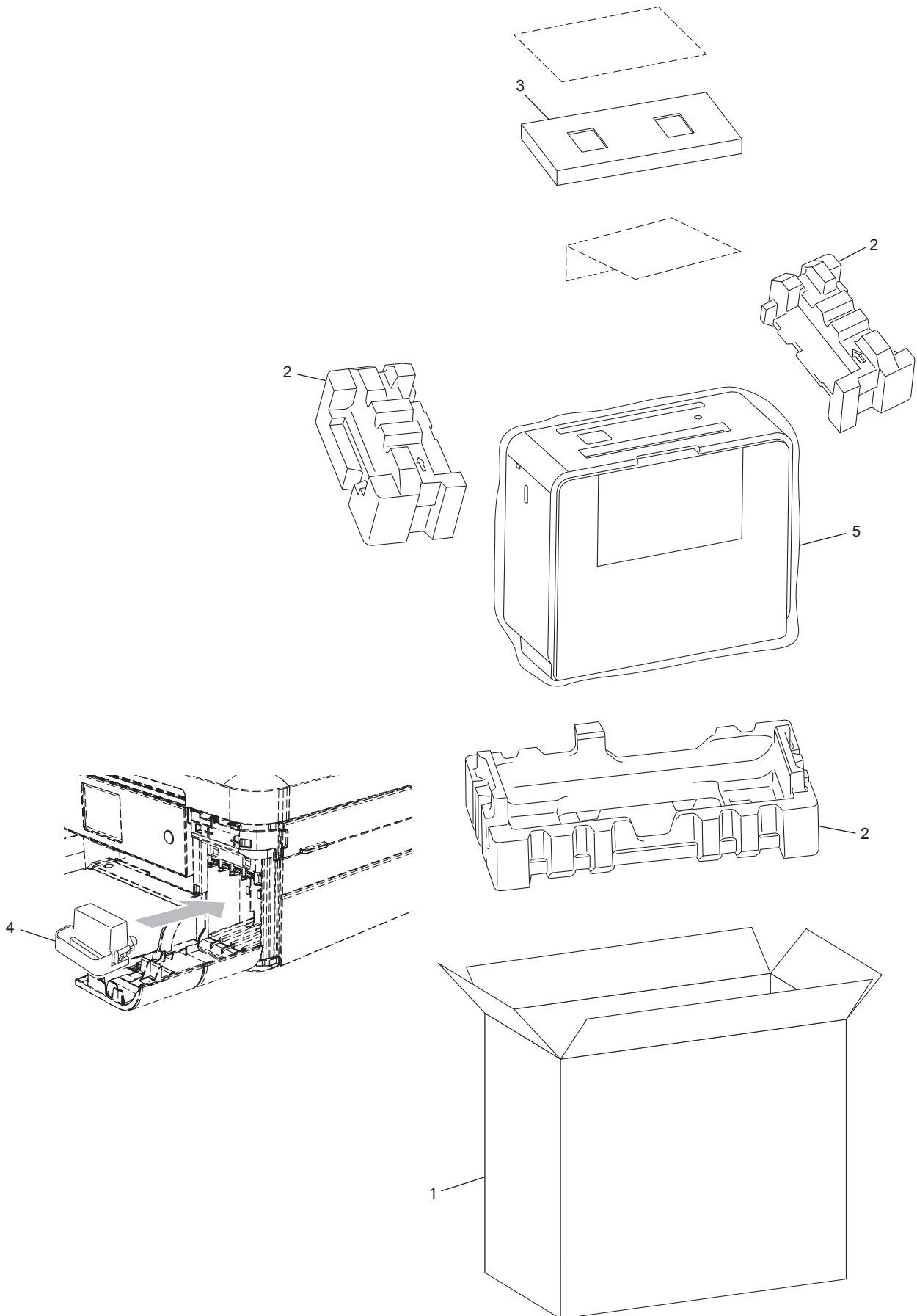
11. PRINTED MATERIALS



11. PRINTED MATERIALS

REF No.	CODE	QTY	DESCRIPTION	REMARKS
1	LEW786001	1	USER'S GUIDE, MFC-J460DW/J480DW/J485DW FOR US/CAN (ENGLISH)	
1	LEW532001	1	USER'S GUIDE, MFC-J680DW/J880DW/J885DW FOR US/CAN (ENGLISH)	
1	LEX245001	1	USER'S GUIDE, MFC-J985DW FOR US/CAN (ENGLISH)	
1	LEW786002	1	USER'S GUIDE, MFC-J480DW/J485DW FOR CAN (FRENCH)	
1	LEW532002	1	USER'S GUIDE, MFC-J680DW/J885DW FOR CAN (FRENCH)	
1	LEX245002	1	USER'S GUIDE, MFC-J985DW FOR CAN (FRENCH)	
1	LEW918003	1	USER'S GUIDE, DCP-J562DW FOR GER/CHE (GERMAN)	
1	LEW786003	1	USER'S GUIDE, MFC-J480DW FOR GER/CHE (GERMAN)	
1	LEW532003	1	USER'S GUIDE, MFC-J680DW/J880DW FOR GER/CHE (GERMAN)	
1	LEX245003	1	USER'S GUIDE, MFC-J985DW FOR GER	
1	LEW918004	1	USER'S GUIDE, DCP-J562DW FOR UK	
1	LEW786004	1	USER'S GUIDE, MFC-J480DW FOR UK	
1	LEW532004	1	USER'S GUIDE, MFC-J680DW/J880DW FOR UK	
1	LEX245004	1	USER'S GUIDE, MFC-J985DW FOR UK	
1	LEW918005	1	USER'S GUIDE, DCP-J562DW FOR FRA/CHE (FRENCH)	
1	LEW918009	1	USER'S GUIDE, DCP-J562DW FOR FRA (DUTCH)	
1	LEW786005	1	USER'S GUIDE, MFC-J480DW FOR FRA/BEL/CHE (FRENCH)	
1	LEW532005	1	USER'S GUIDE, MFC-J680DW/J880DW FOR FRA/BEL/CHE (FRENCH)	
1	LEX245005	1	USER'S GUIDE, MFC-J985DW FOR FRA (FRENCH)	
1	LEW786009	1	USER'S GUIDE, MFC-J480DW FOR BEL/NLD (DUTCH)	
1	LEW532009	1	USER'S GUIDE, MFC-J680DW/J880DW FOR BEL/NLD (DUTCH)	
1	LEW918016	1	USER'S GUIDE, DCP-J562DW FOR ITA	
1	LEW786016	1	USER'S GUIDE, MFC-J480DW FOR ITA	
1	LEW532016	1	USER'S GUIDE, MFC-J680DW/J880DW FOR ITA	
1	LEX245016	1	USER'S GUIDE, MFC-J985DW FOR ITA	
1	LEX087040	1	USER'S GUIDE, DCP-J562DW FOR ASA/OCE	
1	LEX029040	1	USER'S GUIDE, MFC-J480DW FOR HK/ASA/OCE (ENGLISH)	
1	LEW786023	1	USER'S GUIDE, MFC-J480DW FOR HK (CANTONESE)	
1	LEW866040	1	USER'S GUIDE, MFC-J680DW/J880DW FOR HK/ASA/OCE (ENGLISH)	
1	LEW532023	1	USER'S GUIDE, MFC-J680DW/J880DW FOR HK (CANTONESE)	
1	LEW931007	1	USER'S GUIDE, DCP-J562DW FOR PND (NORWEGIAN/SWEDISH)	
1	LEW931013	1	USER'S GUIDE, DCP-J562DW FOR PND (FINNISH/DANISH)	
1	LEW908007	1	USER'S GUIDE, MFC-J480DW FOR PND (NORWEGIAN/SWEDISH)	
1	LEW908013	1	USER'S GUIDE, MFC-J480DW FOR PND (FINNISH/DANISH)	
1	LEW719007	1	USER'S GUIDE, MFC-J680DW FOR PND (NORWEGIAN/SWEDISH)	
1	LEW719013	1	USER'S GUIDE, MFC-J680DW FOR PND (FINNISH/DANISH)	
1	LEW931065	1	USER'S GUIDE, DCP-J562DW FOR IBR (SPANISH/PORTUGUESE)	
1	LEW908065	1	USER'S GUIDE, MFC-J480DW FOR IBR (SPANISH/PORTUGUESE)	
1	LEW719065	1	USER'S GUIDE, MFC-J880DW FOR IBR (SPANISH/PORTUGUESE)	
2	LEW787001	1	QUICK SETUP GUIDE, MFC-J460DW/J480DW/J485DW FOR US/CAN (ENGLISH)	
2	LEW787002	1	QUICK SETUP GUIDE, MFC-J480DW/J485DW FOR CAN (FRENCH)	
2	LEW535001	1	QUICK SETUP GUIDE, MFC-J680DW/J880DW/J885DW FOR US/CAN (ENGLISH)	
2	LEX248001	1	QUICK SETUP GUIDE, MFC-J985DW FOR US/CAN (ENGLISH)	
2	LEW535002	1	QUICK SETUP GUIDE, MFC-J680DW/J885DW FOR CAN (FRENCH)	
2	LEX248002	1	QUICK SETUP GUIDE, MFC-J985DW FOR CAN (FRENCH)	
2	LEW919003	1	QUICK SETUP GUIDE, DCP-J562DW FOR GER/CHE (GERMAN)	
2	LEW787003	1	QUICK SETUP GUIDE, MFC-J480DW FOR GER/CHE (GERMAN)	
2	LEW535003	1	QUICK SETUP GUIDE, MFC-J680DW/J880DW FOR GER/CHE (GERMAN)	
2	LEX248003	1	QUICK SETUP GUIDE, MFC-J985DW FOR GER	
2	LEW919004	1	QUICK SETUP GUIDE, DCP-J562DW FOR UK	
2	LEW787004	1	QUICK SETUP GUIDE, MFC-J480DW FOR UK/ISR	
2	LEW535004	1	QUICK SETUP GUIDE, MFC-J680/J880DW FOR UK/ISR	
2	LEX248004	1	QUICK SETUP GUIDE, MFC-J985DW FOR UK	
2	LEW919005	1	QUICK SETUP GUIDE, DCP-J562DW FOR FRA/CHE (FRENCH)	
2	LEW919009	1	QUICK SETUP GUIDE, DCP-J562DW FOR FRA (DUTCH)	
2	LEW787005	1	QUICK SETUP GUIDE, MFC-J480DW FOR FRA/BEL/CHE (FRENCH)	
2	LEW535005	1	QUICK SETUP GUIDE, MFC-J680DW/J880DW FOR FRA/BEL/CHE (FRENCH)	
2	LEX248005	1	QUICK SETUP GUIDE, MFC-J985DW FOR FRA (FRENCH)	
2	LEW787009	1	QUICK SETUP GUIDE, MFC-J480DW FOR BEL/NLD (DUTCH)	
2	LEW535009	1	QUICK SETUP GUIDE, MFC-J680DW/J880DW FOR BEL/NLD (DUTCH)	
2	LEW919016	1	QUICK SETUP GUIDE, DCP-J562DW FOR CHE/ITA (ITALIAN)	
2	LEW787016	1	QUICK SETUP GUIDE, MFC-J480DW FOR CHE/ITA (ITALIAN)	
2	LEW535016	1	QUICK SETUP GUIDE, MFC-J680DW/J880DW FOR CHE/ITA (ITALIAN)	
2	LEX248016	1	QUICK SETUP GUIDE, MFC-J985DW FOR ITA	
2	LEX088040	1	QUICK SETUP GUIDE, DCP-J562DW FOR ASA/OCE	
2	LEX030040	1	QUICK SETUP GUIDE, MFC-J480DW FOR HK/ASA/OCE (ENGLISH)	
2	LEW787023	1	QUICK SETUP GUIDE, MFC-J480DW FOR HK (CANTONESE)	
2	LEW869040	1	QUICK SETUP GUIDE, MFC-J680DW/J880DW FOR HK/ASA/OCE (ENGLISH)	
2	LEW535023	1	QUICK SETUP GUIDE, MFC-J680DW/J880DW FOR HK (CANTONESE)	
2	LEW919007	1	QUICK SETUP GUIDE, DCP-J562DW FOR PND (NORWEGIAN)	
2	LEW919012	1	QUICK SETUP GUIDE, DCP-J562DW FOR PND (FINNISH)	
2	LEW919013	1	QUICK SETUP GUIDE, DCP-J562DW FOR PND (DANISH)	
2	LEW919026	1	QUICK SETUP GUIDE, DCP-J562DW FOR PND (SWEDISH)	
2	LEW787007	1	QUICK SETUP GUIDE, MFC-J480DW FOR PND (NORWEGIAN)	
2	LEW787012	1	QUICK SETUP GUIDE, MFC-J480DW FOR PND (FINNISH)	
2	LEW787013	1	QUICK SETUP GUIDE, MFC-J480DW FOR PND (DANISH)	
2	LEW787026	1	QUICK SETUP GUIDE, MFC-J480DW FOR PND (SWEDISH)	
2	LEW535007	1	QUICK SETUP GUIDE, MFC-J680DW FOR PND (NORWEGIAN)	
2	LEW535012	1	QUICK SETUP GUIDE, MFC-J680DW FOR PND (FINNISH)	
2	LEW535013	1	QUICK SETUP GUIDE, MFC-J680DW FOR PND (DANISH)	
2	LEW535026	1	QUICK SETUP GUIDE, MFC-J680DW FOR PND (SWEDISH)	
2	LEW919015	1	QUICK SETUP GUIDE, DCP-J562DW FOR IBR (SPANISH)	
2	LEW787015	1	QUICK SETUP GUIDE, MFC-J480DW FOR IBR (SPANISH)	
2	LEW535015	1	QUICK SETUP GUIDE, MFC-J880DW FOR IBR (SPANISH)	
2	LEW919018	1	QUICK SETUP GUIDE, DCP-J562DW FOR IBR (PORTUGUESE)	
2	LEW787018	1	QUICK SETUP GUIDE, MFC-J480DW FOR IBR (PORTUGUESE)	
2	LEW535018	1	QUICK SETUP GUIDE, MFC-J880DW FOR IBR (PORTUGUESE)	
3	LEW667001	1	FRENCH SEAL, MFC-J480DW/J485DW FOR CAN	

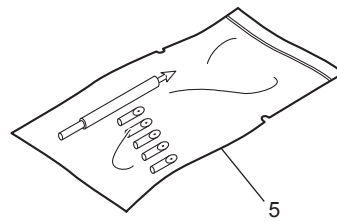
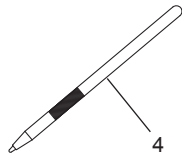
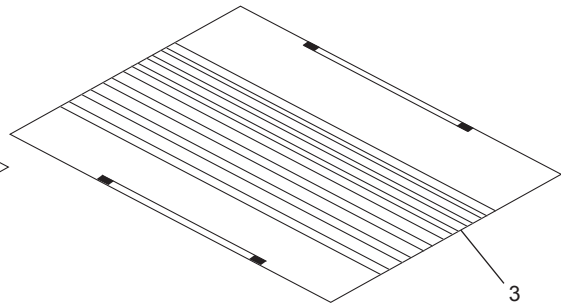
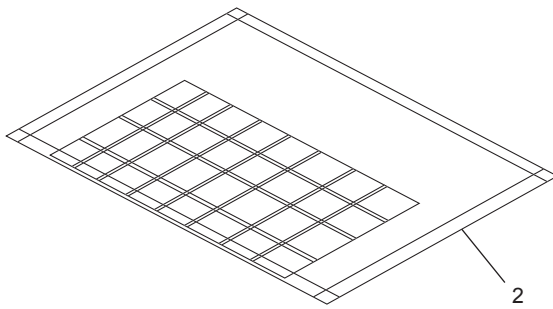
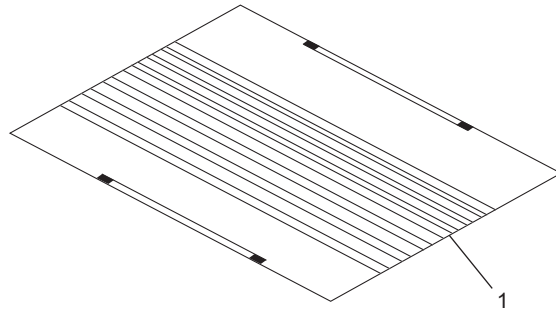
12. PACKING MATERIALS



12. PACKING MATERIALS

REF No.	CODE	QTY	DESCRIPTION	REMARKS
1	LEX002001	1	CARTON BROTHER, MFC-J460DW FOR US	
1	LEW788001	1	CARTON BROTHER, MFC-J480DW FOR US	
1	LEW799001	1	CARTON BROTHER, MFC-J485DW FOR US	
1	LEW640001	1	CARTON BROTHER, MFC-J680DW FOR US	
1	LEW534001	1	CARTON BROTHER, MFC-J880DW FOR US	
1	LEW573001	1	CARTON BROTHER, MFC-J885DW FOR US	
1	LEX247001	1	CARTON BROTHER, MFC-J985DW FOR US	
1	LEW793001	1	CARTON BROTHER, MFC-J480DW FOR CAN	
1	LEW802001	1	CARTON BROTHER, MFC-J485DW FOR CAN	
1	LEW646001	1	CARTON BROTHER, MFC-J680DW FOR CAN	
1	LEW674001	1	CARTON BROTHER, MFC-J885DW FOR CAN	
1	LEX272001	1	CARTON BROTHER, MFC-J985DW FOR CAN	
1	LEW920001	1	CARTON BROTHER, DCP-J562DW FOR GER	
1	LEW891001	1	CARTON BROTHER, MFC-J480DW FOR GER	
1	LEW877001	1	CARTON BROTHER, MFC-J680DW FOR GER	
1	LEW689001	1	CARTON BROTHER, MFC-J880DW FOR GER	
1	LEX253001	1	CARTON BROTHER, MFC-J985DW FOR GER	
1	LEW923001	1	CARTON BROTHER, DCP-J562DW FOR UK/PND	
1	LEW896001	1	CARTON BROTHER, MFC-J480DW FOR UK/ISR	
1	LEW878001	1	CARTON BROTHER, MFC-J680DW FOR UK/ISR	
1	LEW693001	1	CARTON BROTHER, MFC-J880DW FOR UK	
1	LEX258001	1	CARTON BROTHER, MFC-J985DW FOR UK/ITA	
1	LEW925001	1	CARTON BROTHER, DCP-J562DW FOR FRA/CHE	
1	LEW898001	1	CARTON BROTHER, MFC-J480DW FOR FRA/BEL/NLD/CHE	
1	LEW879001	1	CARTON BROTHER, MFC-J680DW FOR FRA/BEL/CHE	
1	LEW695001	1	CARTON BROTHER, MFC-J880DW FOR FRA/BEL/NLD/CHE	
1	LEX260001	1	CARTON BROTHER, MFC-J985DW FOR FRA	
1	LEW886001	1	CARTON BROTHER, DCP-J562DW FOR ASA	
1	LEW884001	1	CARTON BROTHER, MFC-J480DW FOR HK/ASA	
1	LEW882001	1	CARTON BROTHER, MFC-J680DW FOR HK/ASA	
1	LEW868001	1	CARTON BROTHER, MFC-J880DW FOR HK/ASA	
1	LEX091001	1	CARTON BROTHER, DCP-J562DW FOR OCE	
1	LEW992001	1	CARTON BROTHER, MFC-J480DW FOR OCE	
1	LEW999001	1	CARTON BROTHER, MFC-J680DW FOR OCE	
1	LEW874001	1	CARTON BROTHER, MFC-J880DW FOR OCE	
1	LEX001001	1	CARTON BROTHER, MFC-J480DW FOR PND	
1	LEW976001	1	CARTON BROTHER, MFC-J680DW FOR PND	
1	LEW928001	1	CARTON BROTHER, DCP-J562DW FOR ITA/IBR	
1	LEW904001	1	CARTON BROTHER, MFC-J480DW FOR ITA/IBR	
1	LEW880001	1	CARTON BROTHER, MFC-J680DW FOR ITA	
1	LEW698001	1	CARTON BROTHER, MFC-J880DW FOR ITA/IBR	
2	LEU699001	1	PACKING PAD ASSY, DCP-J562DW	
2	LEU662001	1	PACKING PAD ASSY, MFC-J460DW/J480DW/J485DW/J680DW/J880DW/J885DW	
2	LEX183001	1	PACKING PAD ASSY, MFC-J985DW	
3	LEW019001	1	ACCESSORIES SHEET EXCEPT FOR MFC-J985DW FOR US/CAN	
3	LEU223001	1	ACCESSORIES SHEET EXCEPT FOR MFC-J985DW FOR GER/UK/FRA/BEL/NLD/CHE/ITA/ISR/HK/ASA/OCE/IBR	
3	LEX186001	1	ACCESSORIES SHEET, MFC-J985DW	
3	LEW015001	1	ACCESSORIES BOX A, MFC-J480DW/J680DW FOR PND	
3	LEW016001	1	ACCESSORIES BOX B, MFC-J480DW/J680DW FOR PND	
4	LEW051001	1	PROTECTIVE PART (SP)	
5	LX7967001	1	BAG 680X770H	

13. OTHERS



13. OTHERS

REF No.	CODE	Q'TY	DESCRIPTION	REMARKS
1	UF8263001	1	TEST CHART-027	
2	UF9258001	1	COLOR TEST CHART CTC-001	
3	UF4600001	1	CONTRAST CHART TC-023	
4	XA9940051	1	TOUCH PEN, DCP-J562DW, MFC-J680DW/J880DW/J885DW/J985DW	
5	ZA0310001	1	HEAD CLEANER STICK ASSY	