

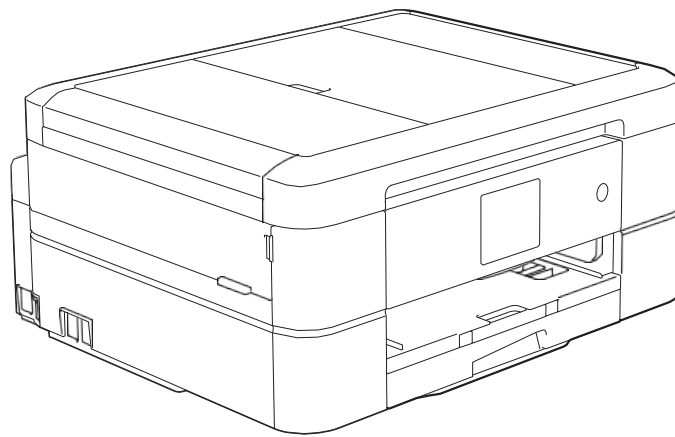


**Inkjet DCP/MFC**  
**PARTS REFERENCE LIST**

---

---

**MODELS: DCP-J772DW/J774DW**  
**MFC-J890DW**



---

Read this list thoroughly before maintenance work.  
Keep this list in a convenient place for quick and easy reference at all times.

---

## NOTE FOR USING THIS PARTS REFERENCE LIST

1. In the case of ordering parts, it is necessary to mention the following items;

- (1) Code
- (2) Q'ty
- (3) Description

Note: Orders without Parts Code or Tool No. cannot be accepted.

< Example >

REF.NO.	(1) CODE	(2) Q'TY	(3) DESCRIPTION	MODEL	SPEC	REMARK

2. Design-changed parts :

If any of the parts code is changed in this Parts List, one of the following symbols is indicated in the REMARK column.

CHG(chg) : The parts code is changed to a new one in this Parts List.

ADD(add) : The parts code is newly added in this Parts List.

DEL(del) : The parts code is deleted in this Parts List.

Symbol in capital letters indicates the latest parts change information in the page.

- 3. Parts change will be informed by the Parts change information.
- 4. Parts are subject to change in design without prior notice.

### COUNTRIES AND AREAS

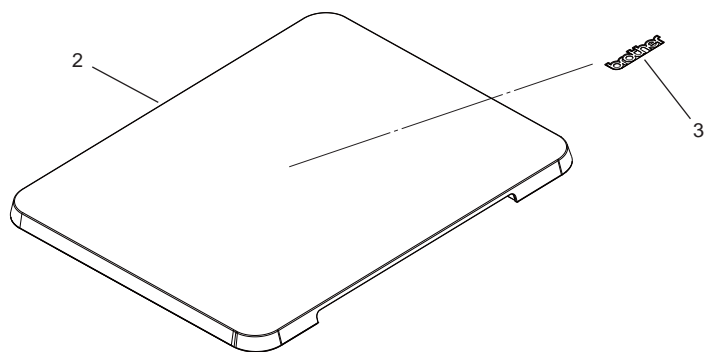
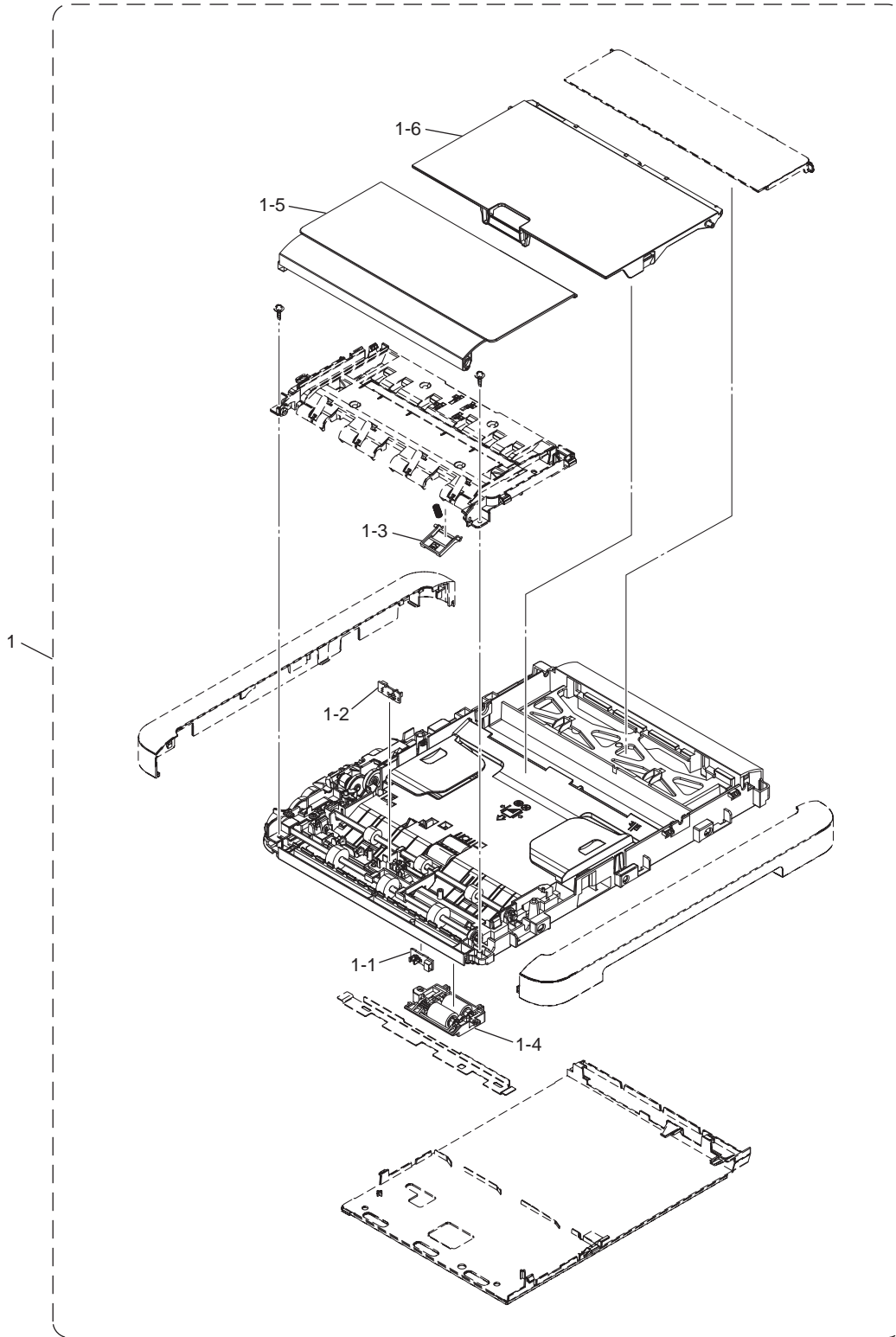
GER ----- GERMANY  
UK ----- UNITED KINGDOM

FRA/BEL/NLD -----FRANCE/BELGIUM/NETHERLANDS  
ITA/IBR ----- ITALY/IBERIA (ITALY/SPAIN/PORTUGAL)

# CONTENTS

1.	<u>ADF &amp; DOCUMENT COVER ASSY</u> .....	1
2.	<u>DOCUMENT SCANNER</u> .....	3
3.	<u>CARTRIDGE CASE</u> .....	5
4.	<u>ENGINE</u> .....	7
5.	<u>HEAD</u> .....	9
6.	<u>PAPER TRAY</u> .....	11
7.	<u>COVERS &amp; LABELS</u> .....	13
8.	<u>PANEL</u> .....	15
9.	<u>PCB</u> .....	17
10.	<u>ACCESSORIES</u> .....	19
11.	<u>PRINTED MATERIALS</u> .....	21
12.	<u>PACKING MATERIALS</u> .....	23
13.	<u>OTHERS</u> .....	25

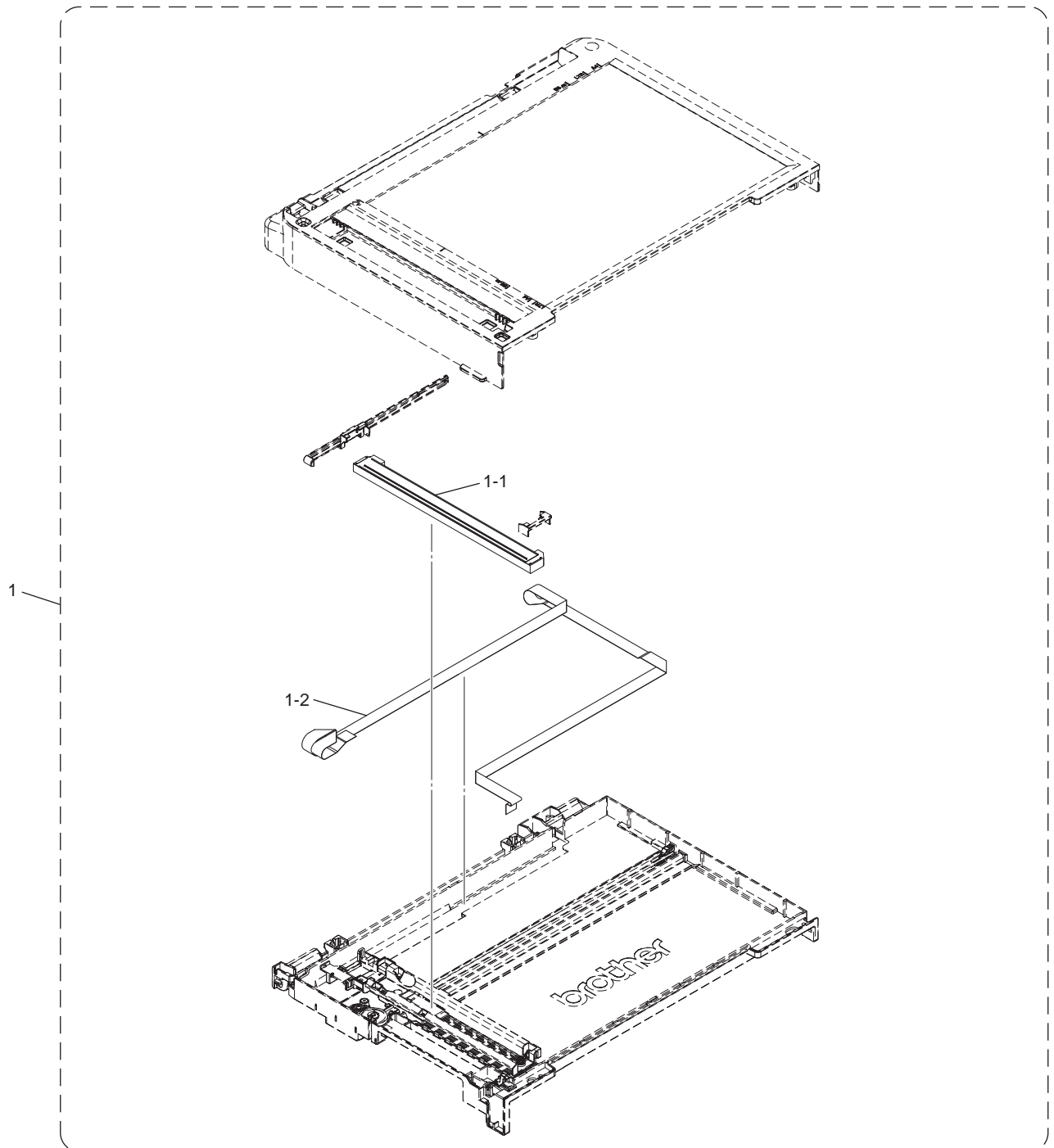
# 1. ADF & DOCUMENT COVER ASSY



# 1. ADF & DOCUMENT COVER ASSY

REF No.	CODE	Q'TY	DESCRIPTION	MODEL	SPEC	REMARK
1	D00W9B001	1	ADF UNIT SP	MFC-J890DW		
1-1	LG6753001	1	DOCUMENT DETECTION SENSOR PCB ASSY	MFC-J890DW		
1-2	LG6753001	1	DOCUMENT SCANNING POSITION SENSOR PCB ASSY	MFC-J890DW		
1-3	LEU204001	1	ADF SEPARATION PAD HOLDER	MFC-J890DW		
1-4	LEG765001	1	DOCUMENT SEPARATE ROLLER	MFC-J890DW		
1-5	D00AUL001	1	ADF COVER ASSY	MFC-J890DW		
1-6	LET699007	1	ADF DOCUMENT SUPPORT	MFC-J890DW		
2	D00ATE001	1	DOCUMENT COVER ASSY	DCP-J772DW		
2	D00C0K002	1	DOCUMENT COVER ASSY	DCP-J774DW		
3	LEU145001	1	EMBLEM BROTHER SHEET	DCP-J772DW		
3	LEW148002	1	EMBLEM BROTHER SHEET	DCP-J774DW		

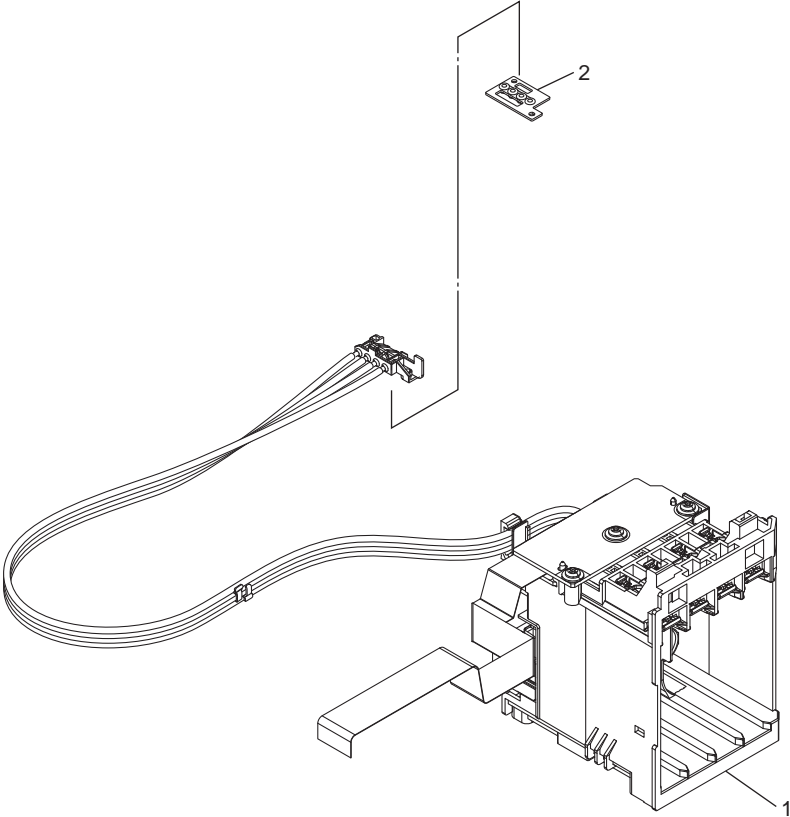
## 2. DOCUMENT SCANNER



## 2. DOCUMENT SCANNER

REF No.	CODE	Q'TY	DESCRIPTION	MODEL	SPEC	REMARK
1	D00W9G001	1	DOCUMENT SCANNER UNIT SP	DCP-J772DW		
1	D00W9G003	1	DOCUMENT SCANNER UNIT SP	DCP-J774DW		
1	D00W9F001	1	DOCUMENT SCANNER UNIT SP	MFC-J890DW		
1-1	D00DGG001	1	CIS UNIT			
1-2	LT3448001	1	CIS FLAT CABLE			

3. CARTRIDGE CASE

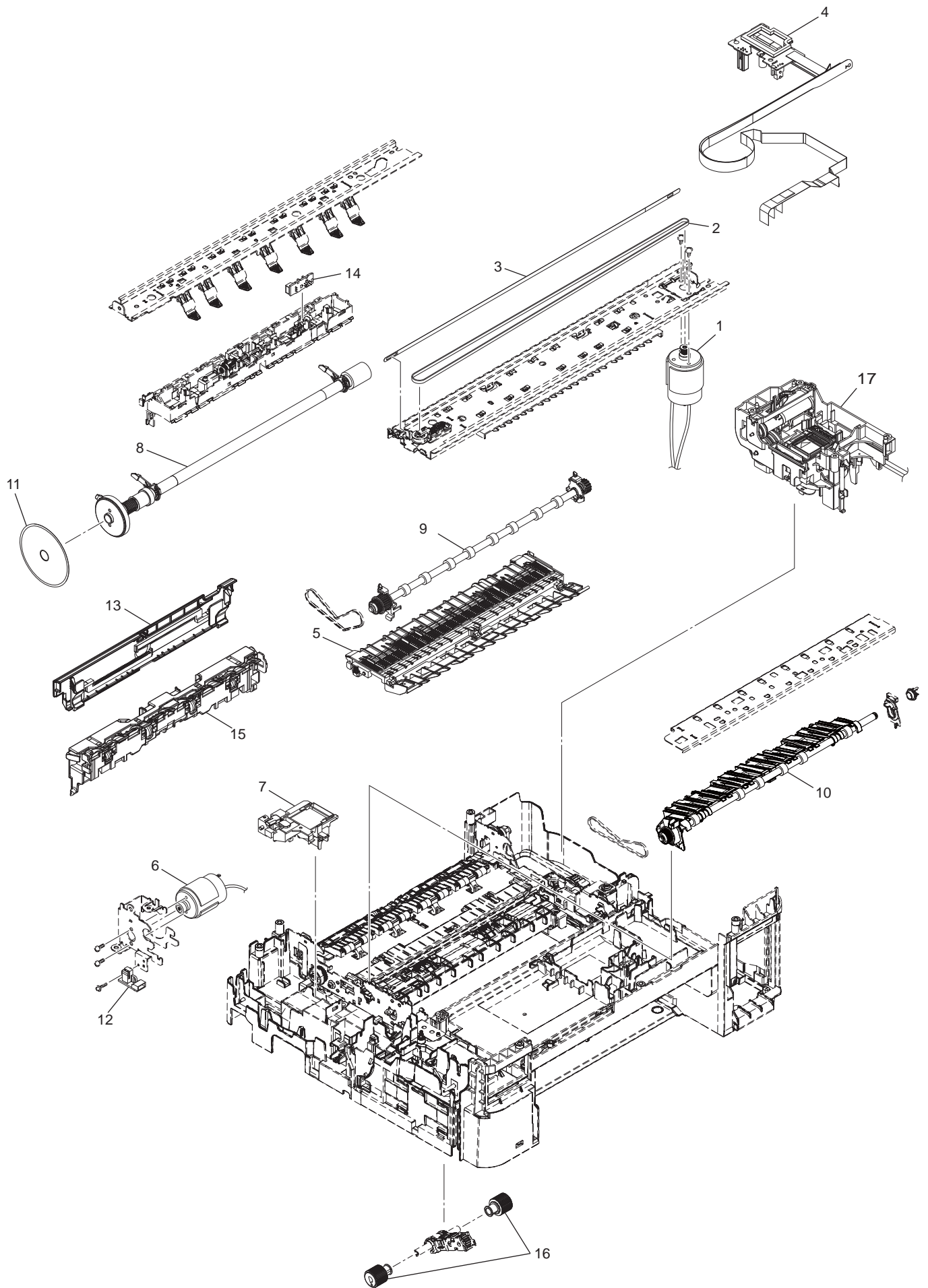




### 3. CARTRIDGE CASE

REF No.	CODE	Q'TY	DESCRIPTION	MODEL	SPEC	REMARK
1	D00UR7001	1	INK REFILL ASSY (SP)			
2	LK5793001	1	HEAD JOINT RUBBER SP			

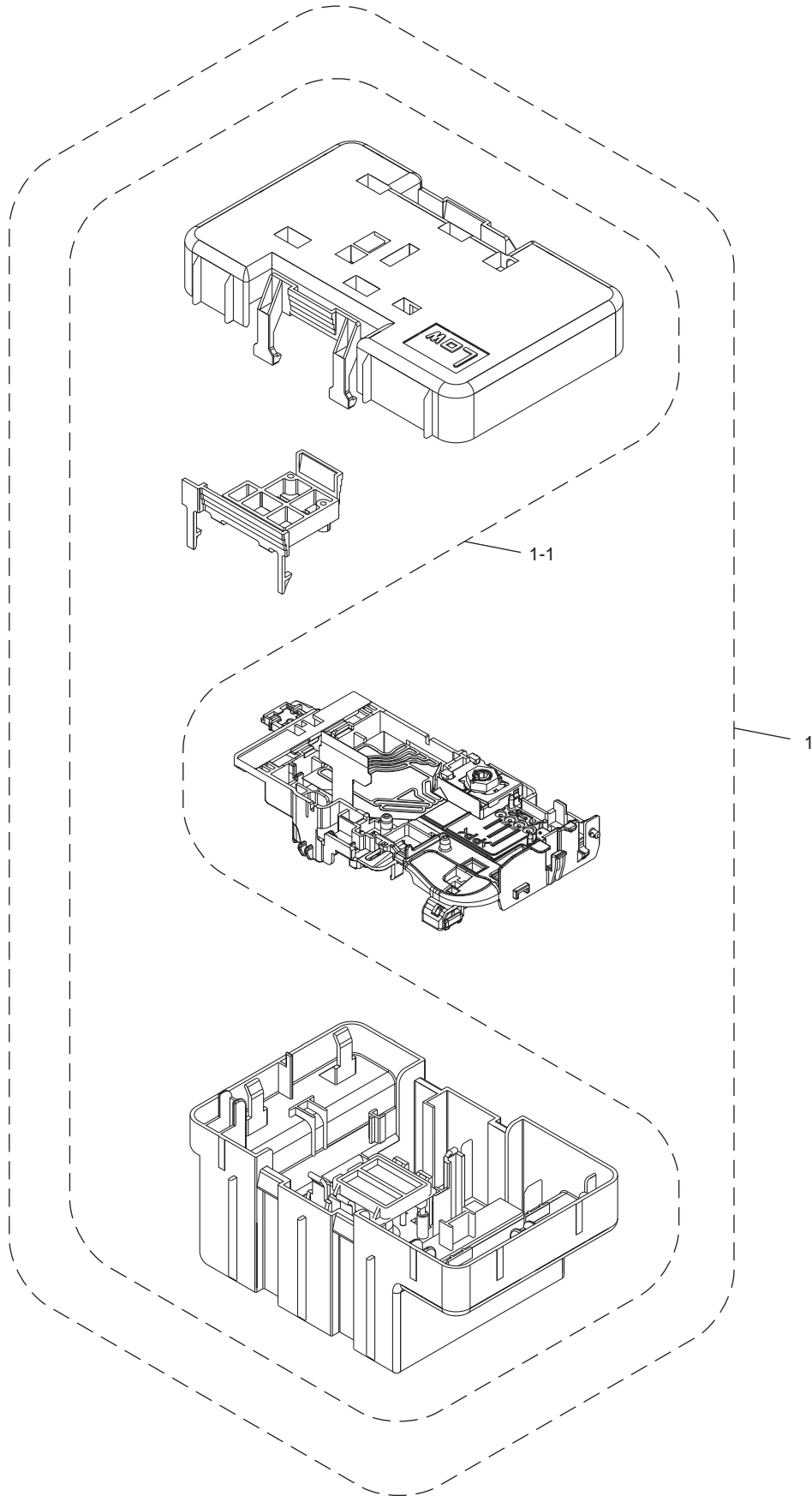
# 4. ENGINE



#### 4. ENGINE

REF No.	CODE	Q'TY	DESCRIPTION	MODEL	SPEC	REMARK
1	LET663001	1	CARRIAGE MOTOR ASSY			
2	LX6677001	1	CR TIMING BELT			
3	LET656001	1	CR ENCODER STRIP			
4	D00USB001	1	CARRIAGE PCB ASSY (SP)			
5	LET886001	1	PLATEN ASSY			
6	LET916001	1	PAPER FEED MOTOR			
7	LET902001	1	FLUSHING BASE			
8	LEW616001	1	PAPER FEED ROLLER (SP)			
9	D00H0F001	1	PAPER EJECTION ROLLER ASSY			
10	D00H0G001	1	SWITCHBACK ROLLER			
11	LP1471001	1	PF ENCODER DISK			
12	LT1509002	1	PF ENCODER SENSOR PCB ASSY			
13	LEU035001	1	MANUAL FEED SLOT ASSY	DCP-J772DW/ MFC-J890DW		
13	LEU035003	1	MANUAL FEED SLOT ASSY	DCP-J774DW		
14	LT2644001	1	REGISTRATION SENSOR PCB ASSY			
15	LEU006001	1	JAM CLEAR COVER	DCP-J772DW/ MFC-J890DW		
15	LEU006022	1	JAM CLEAR COVER	DCP-J774DW		
16	D00PYK001	2	PAPER PULL-IN ROLLER			
17	D00VCJ001	1	MAINTENANCE UNIT (SP)			

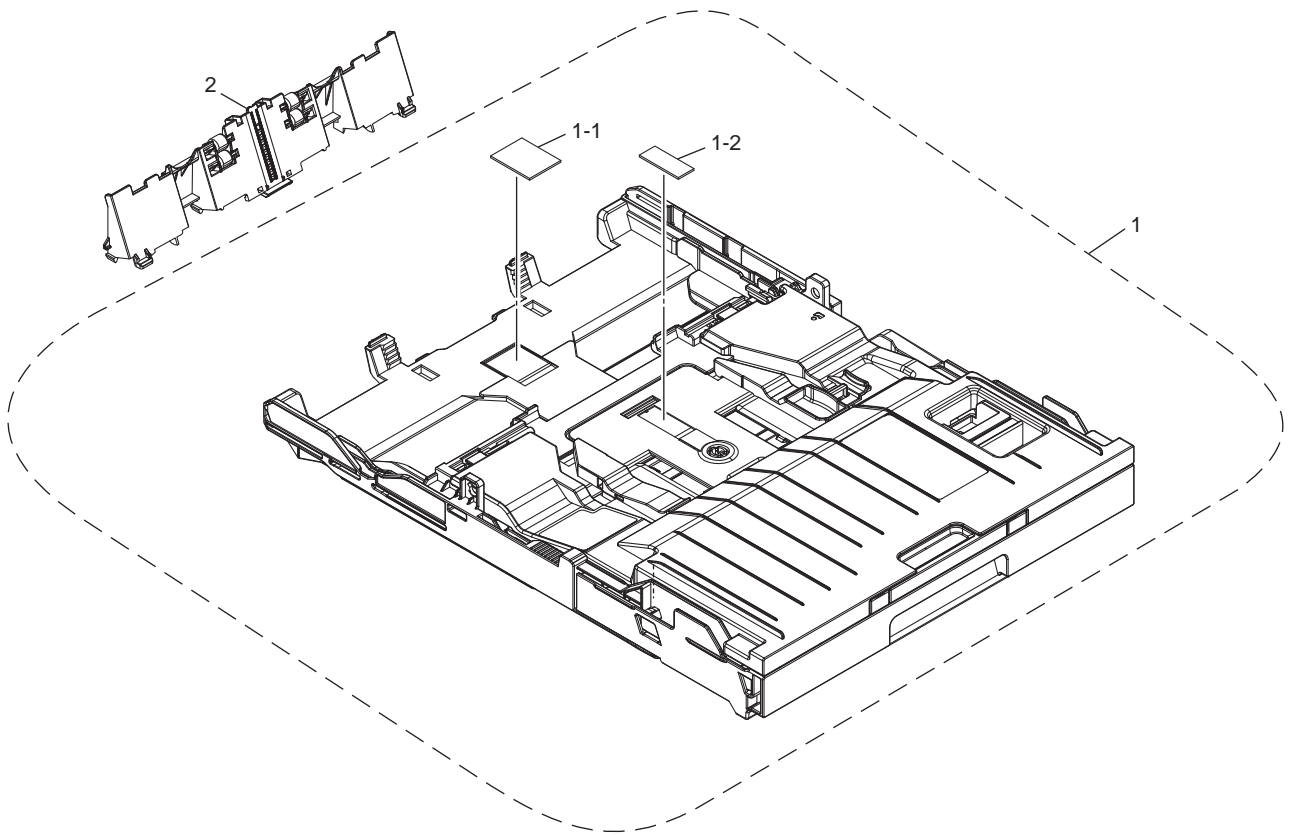
# 5. HEAD



## 5. HEAD

REF No.	CODE	Q'TY	DESCRIPTION	MODEL	SPEC	REMARK
1	LK9025001	1	HEAD/CARRIAGE UNIT (SP)			
1-1	LK9028001	1	PROTECTOR SUPPLY ASSY			

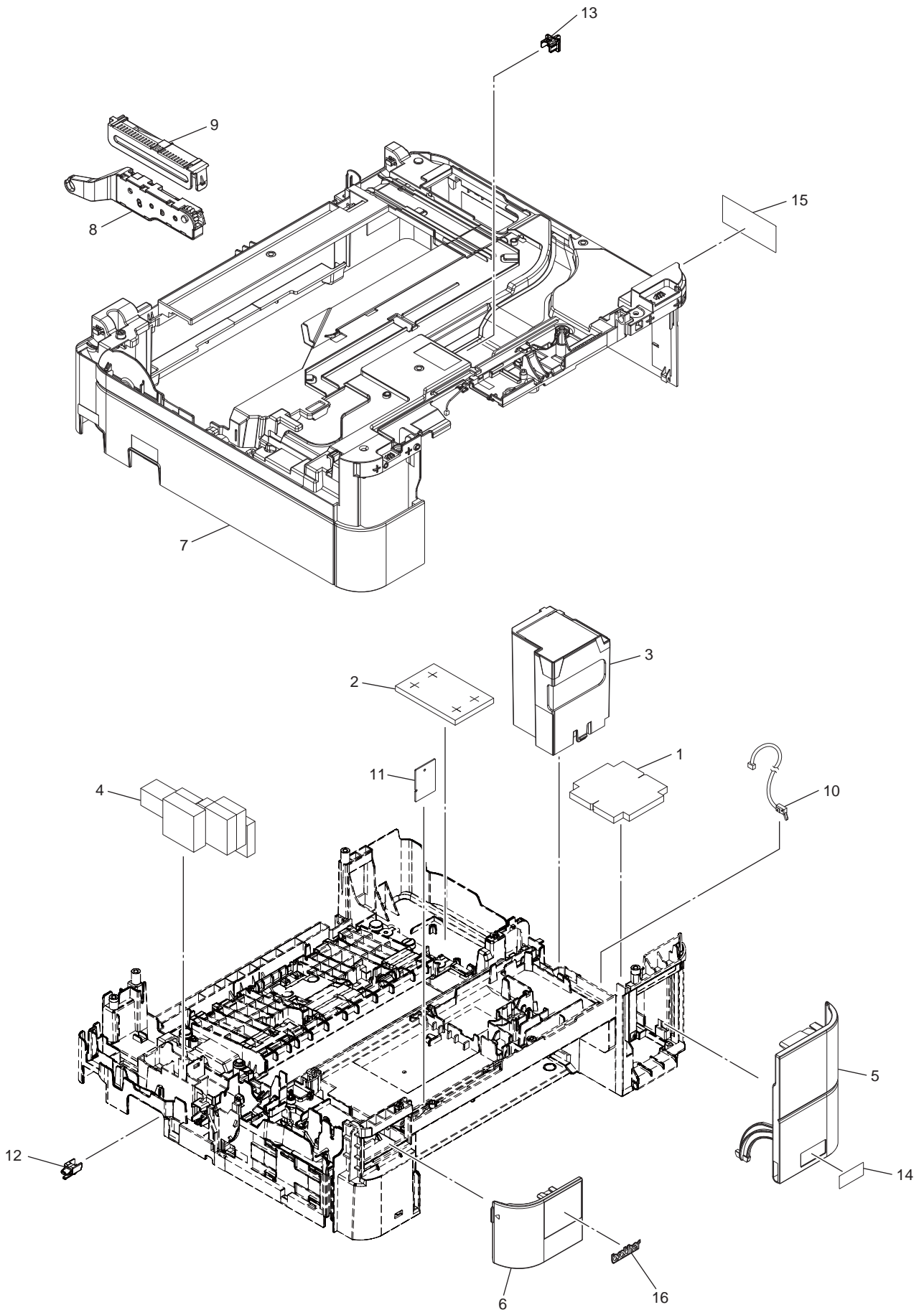
## 6. PAPER TRAY



## 6. PAPER TRAY

REF No.	CODE	Q'TY	DESCRIPTION	MODEL	SPEC	REMARK
1	LEX304001	1	PAPER TRAY ASSY SP	DCP-J772DW		
1	LEX304007	1	PAPER TRAY ASSY SP	DCP-J774DW		
1	D00T8A001	1	PAPER TRAY ASSY SP	MFC-J890DW		
1-1	LEW229001	1	BASE PAD W			
1-2	LEU115001	1	BASE PAD	DCP-J772DW/ J774DW		
2	LEU117001	1	BANK ASSY			

## 7. COVERS & LABELS

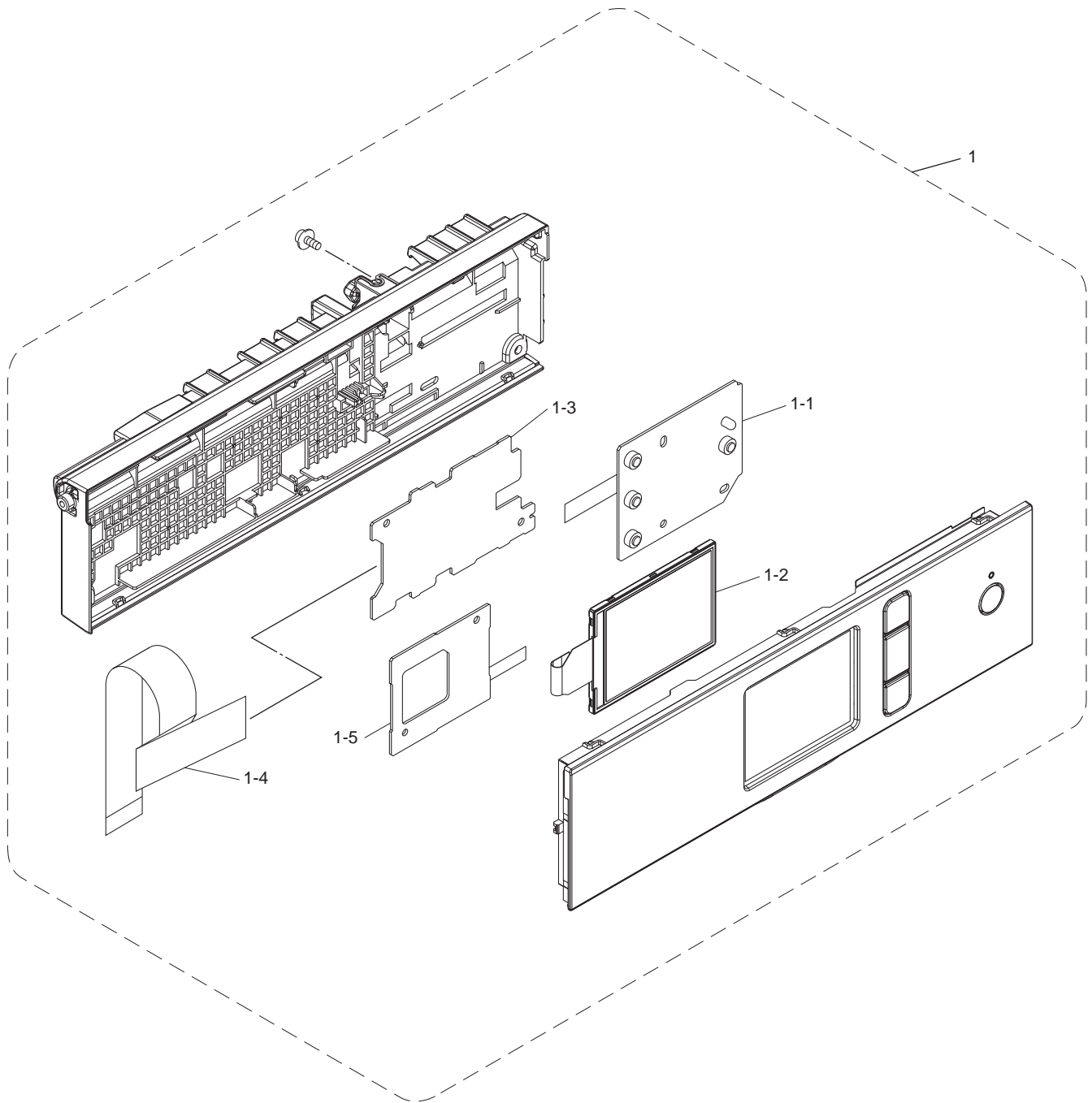




## 7. COVERS & LABELS

REF No.	CODE	Q'TY	DESCRIPTION	MODEL	SPEC	REMARK
1	LEK212001	1	INK ABSORBER FELT (FOR INK REFILL ASSY)			
2	LX7296001	1	INK ABSORBER FELT (FOR MAINTENANCE UNIT)			
3	LEU169001	1	INK ABSORBER BOX			
4	D00GND001	1	FLUSHING FOAM ASSY SP			
5	D009UM007	1	INK CARTRIDGE COVER	DCP-J772DW/ MFC-J890DW		
5	D009UM022	1	INK CARTRIDGE COVER	DCP-J774DW		
6	LEU531007	1	FRONT COVER	DCP-J772DW		
6	LEU531022	1	FRONT COVER	DCP-J774DW		
6	LET865007	1	FRONT COVER	MFC-J890DW		
7	LEW815001	1	UPPER COVER SP	DCP-J772DW		
7	LEW815003	1	UPPER COVER SP	DCP-J774DW		
7	LEW818001	1	UPPER COVER SP	MFC-J890DW		
8	LEU670001	1	SCANNER COVER SUPPORT	DCP-J772DW/ J774DW		
8	LEU184001	1	SCANNER COVER SUPPORT	MFC-J890DW		
9	LEU183001	1	SCANNER COVER DAMPER			
10	LT3463001	1	INK CARTRIDGE COVER SENSOR ASSY			
11	LD1969001	1	WIRELESS LAN PCB ASSY			
12	LEW048001	1	EXT CAP	MFC-J890DW		FRA/ BEL/ NLD/ ITA/ IBR GER/ UK
12	UF5745000	1	MJ COVER EXT	MFC-J890DW		
13	LEW047001	1	LAN PORT CAP	MFC-J890DW		
14	LX3722001	1	INNOBELLA LABEL			
15	LEU212001	1	USER ACCESS PORT LABEL	DCP-J772DW/ J774DW		
15	LEU217001	1	USER ACCESS PORT LABEL	MFC-J890DW		
16	LEU638001	1	EMBLEM BROTHER SHEET	MFC-J890DW		

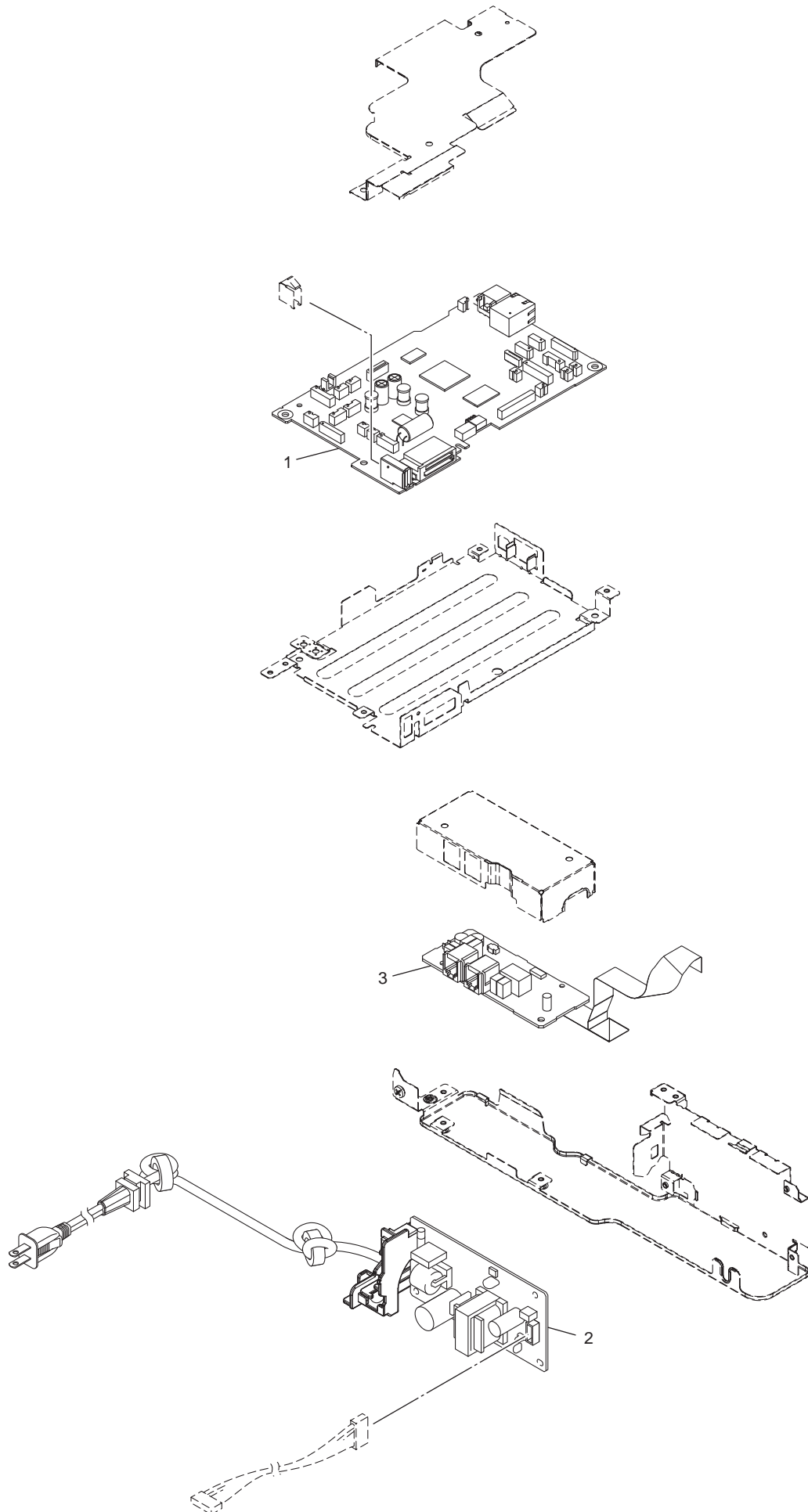
## 8. PANEL



## 8. PANEL

REF No.	CODE	Q'TY	DESCRIPTION	MODEL	SPEC	REMARK
1	D00MR5001	1	CONTROL PANEL ASSY	DCP-J772DW		
1	D00H0D001	1	CONTROL PANEL ASSY	DCP-J774DW		
1	D00MR9001	1	CONTROL PANEL ASSY	MFC-J890DW		
1-1	D00EA2001	1	PANEL KEY PCB			
1-2	D003CR001	1	LCD			
1-3	D009YS001	1	PANEL PCB ASSY	DCP-J772DW/ J774DW		
1-3	D009YS002	1	PANEL PCB ASSY	MFC-J890DW		
1-4	LT3467001	1	PANEL FLAT CABLE			
1-5	D00SK1001	1	NFC PCB	MFC-J890DW		

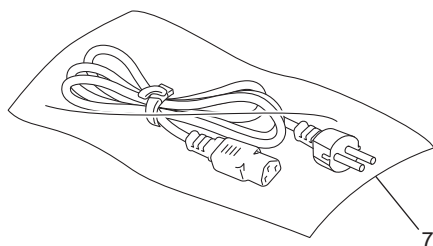
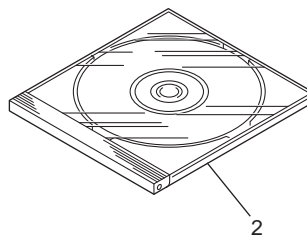
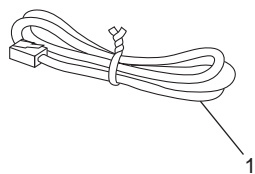
## 9. PCB



9. PCB

REF No.	CODE	Q'TY	DESCRIPTION	MODEL	SPEC	REMARK
1	D00XK9004	1	MAIN PCB ASSY SP (PRESET 74 CODE:0004)	DCP-J772DW/ J774DW		
1	D00XLX004	1	MAIN PCB ASSY SP (PRESET 74 CODE:0004)	MFC-J890DW		
2	LT3560001	1	POWER SUPPLY PCB ASSY			
3	D00DA9001	1	MODEM PCB ASSY	MFC-J890DW		

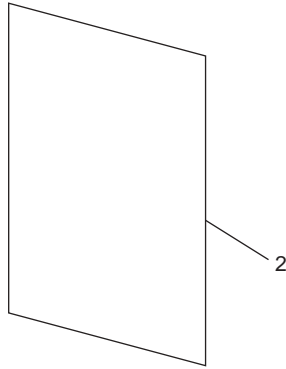
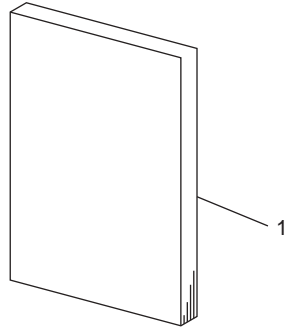
## 10. ACCESSORIES



## 10. ACCESSORIES

REF No.	CODE	Q'TY	DESCRIPTION	MODEL	SPEC	REMARK
1	UG3625001	1	TELEPHONE LINE CORD GER	MFC-J890DW	GER	
1	UG3626001	1	TELEPHONE LINE CORD UK6P	MFC-J890DW	UK	
1	UG3627001	1	TELEPHONE LINE CORD FRA	MFC-J890DW	FRA/ BEL/ NLD	
1	LT2144001	1	TELEPHONE LINE CORD ITA	MFC-J890DW	ITA/ IBR	
1	LG3077001	1	TELEPHONE LINE CORD CSA	MFC-J890DW	UK/ FRA/ BEL/ NLD/ ITA/ IBR	
2	D00CP2001	1	CD-ROM ASSY	DCP-J772DW/ J774DW		
2	D00CP1001	1	CD-ROM ASSY	MFC-J890DW		
(3)	D00HAH001	1	INITIAL SETUP STARTER CARTRIDGE LC3211 BK			
(4)	D00HAJ001	1	INITIAL SETUP STARTER CARTRIDGE LC3211 C			
(5)	D00HAK001	1	INITIAL SETUP STARTER CARTRIDGE LC3211 M			
(6)	D00HAL001	1	INITIAL SETUP STARTER CARTRIDGE LC3211 Y			
7	LT2744001	1	AC CORD BAG ASSY		GER/ FRA/ BEL/ NLD/ ITA/ IBR	
7	LT2652001	1	AC CORD BAG ASSY		UK	

## 11. PRINTED MATERIALS

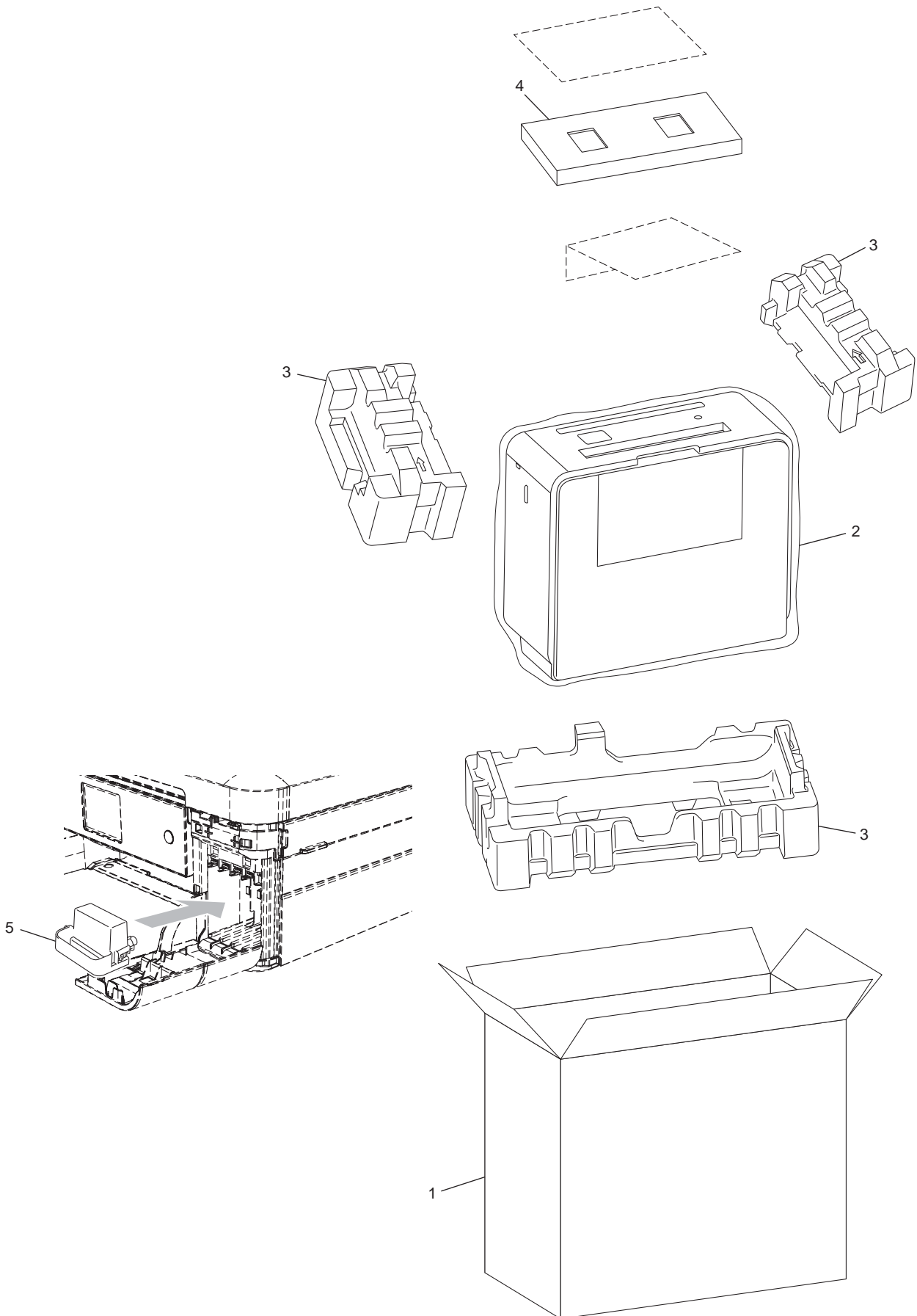




## 11. PRINTED MATERIALS

REF No.	CODE	Q'TY	DESCRIPTION	MODEL	SPEC	REMARK
1	D00C5V001	1	USER'S GUIDE (GERMAN)		GER	
1	D00S16001	1	USER'S GUIDE (ENGLISH)		UK	
1	D00S6C001	1	USER'S GUIDE (FRENCH)		FRA/ BEL/ NLD	
1	D00S6D001	1	USER'S GUIDE (DUTCH)		FRA/ BEL/ NLD	
1	D00RN1001	1	USER'S GUIDE (ITALIAN)		ITA/ IBR	
1	D00RN2001	1	USER'S GUIDE (SPANISH/PORTUGUESE)		ITA/ IBR	
2	D00C61001	1	QUICK SETUP GUIDE (GERMAN)		GER	
2	D00S18001	1	QUICK SETUP GUIDE (ENGLISH)		UK	
2	D00S6L001	1	QUICK SETUP GUIDE (FRENCH)		FRA/ BEL/ NLD	
2	D00S6M001	1	QUICK SETUP GUIDE (DUTCH)		FRA/ BEL/ NLD	
2	D00RN6001	1	QUICK SETUP GUIDE (ITALIAN)		ITA/ IBR	
2	D00RN7001	1	QUICK SETUP GUIDE (SPANISH/PORTUGUESE)		ITA/ IBR	

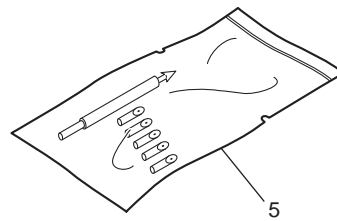
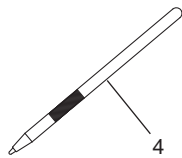
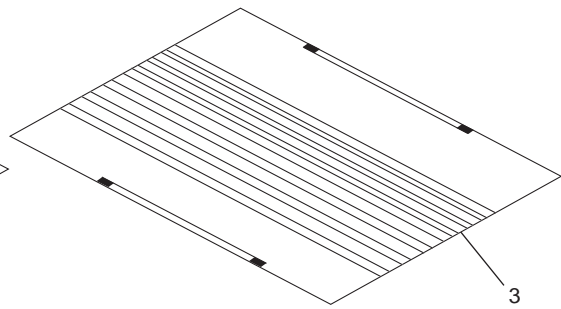
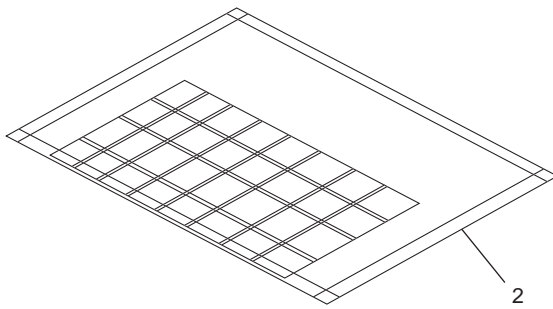
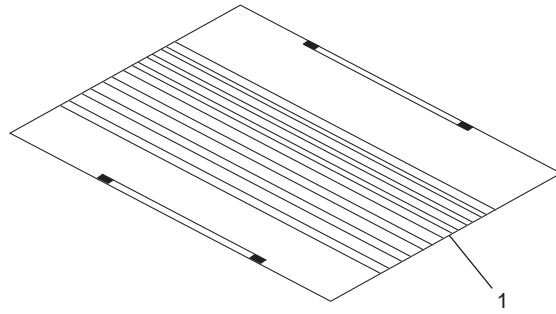
## 12. PACKING MATERIALS



## 12. PACKING MATERIALS

REF No.	CODE	Q'TY	DESCRIPTION	MODEL	SPEC	REMARK
1	D00X33001	1	CARTON BROTHER	DCP-J772DW		
1	D00X34001	1	CARTON BROTHER	DCP-J774DW		
1	D00X35001	1	CARTON BROTHER	MFC-J890DW		
2	LX7967001	1	BAG 680X770H			
3	LEU699001	1	PACKING PAD ASSY	DCP-J772DW/ J774DW		
3	LEU662001	1	PACKING PAD ASSY	MFC-J890DW		
4	LEU223001	1	ACCESSORIES SHEET			
5	D00T94001	1	PROTECTIVE PART SP			

13. OTHERS



### 13. OTHERS

REF No.	CODE	Q'TY	DESCRIPTION	MODEL	SPEC	REMARK
1	UF8263001	1	TEST CHART-027			
2	UF9258001	1	COLOR TEST CHART CTC-001			
3	UF4600001	1	CONTRAST CHART TC-023			
4	XA9940051	1	TOUCH PEN			
5	ZA0310001	1	HEAD CLEANER STICK ASSY			