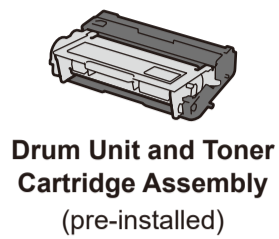
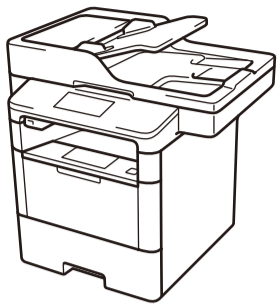




## Unpack the machine and check the components



**NOTE:**

- Manuals in Spanish for this model are available on the Brother Solutions Center. (USA only): [solutions.brother.com/manuals](http://solutions.brother.com/manuals)
- Los manuales en español de este modelo están disponibles en el Brother Solutions Center. (Solamente en los Estados Unidos): [solutions.brother.com/manuals](http://solutions.brother.com/manuals)
- The available connection interfaces vary depending on the model.
- You must purchase the correct interface cable for the interface you want to use.

**USB cable**

We recommend using a USB 2.0 cable (Type A/B) that is no more than 6 feet (2 meters) long.

**Network cable**

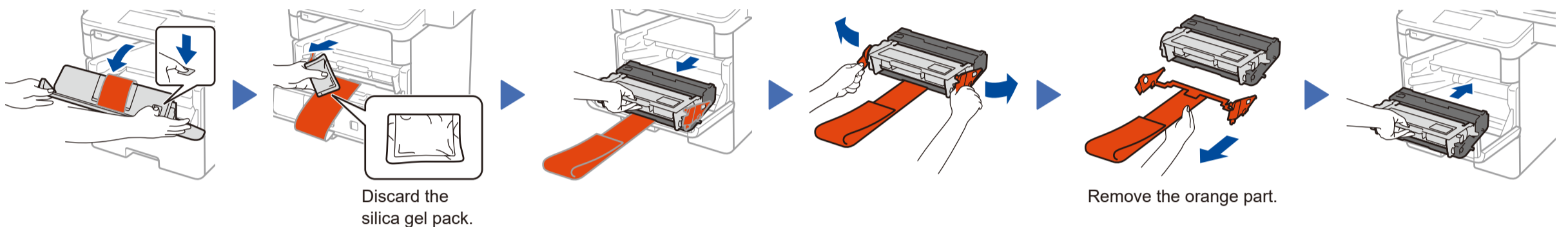
Use a straight-through Category 5 (or greater) twisted-pair cable.

- The illustrations in this Quick Setup Guide show the MFC-L6800DW.

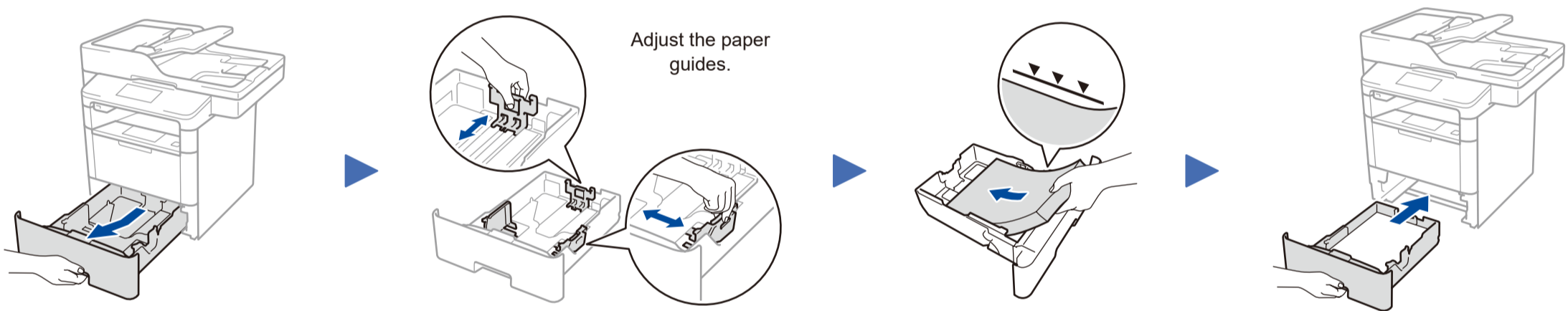


Watch our Video FAQs for help with setting up your Brother machine:  
[solutions.brother.com/videos](http://solutions.brother.com/videos).

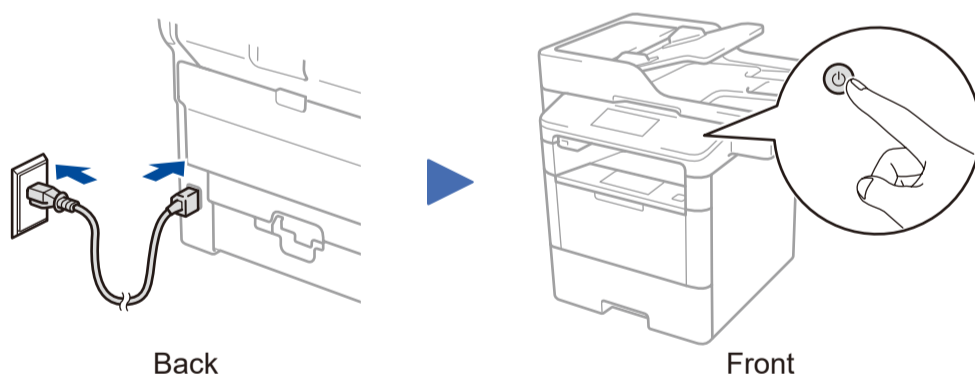
### 1 Remove the packing materials and install the drum unit and toner cartridge assembly



### 2 Load paper in the paper tray

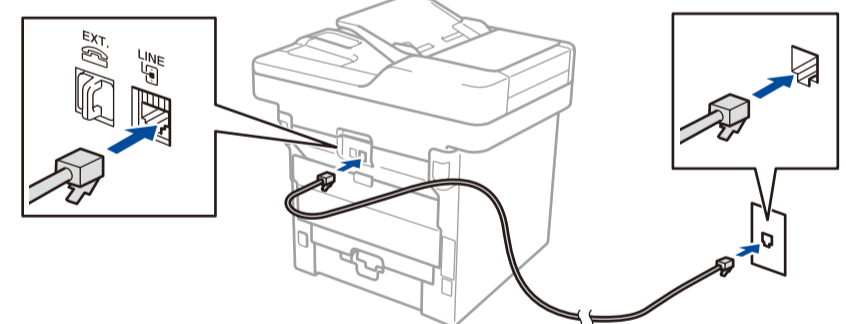


### 3 Connect the power cord and turn on the machine



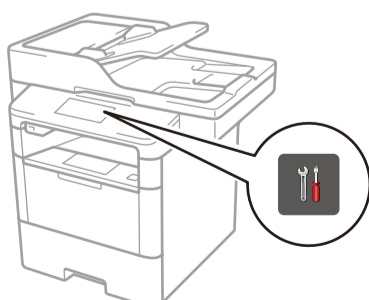
### 4 Connect the telephone line cord (for MFC models only)

If you do not plan to use the fax feature on this machine, go to step 5.



### 5 Select your language (if needed)

1. On the machine's Touchscreen, press [Settings] > [All Settings] > [Initial Setup] > [Local Language].
2. Press your language.
3. Press .



### 6 Configure the machine for faxing (for MFC models only)

If you do not plan to use the fax feature on this machine, go to step 7.

**A. Set the date and time**

- Press [Settings] > [All Settings] > [Initial Setup] > [Date & Time].
- Date**
1. Press [Date].
  2. Enter the last two digits for the year using the Touchscreen, and then press [OK].
  3. Enter the two digits for the month using the Touchscreen, and then press [OK].
  4. Enter the two digits for the day using the Touchscreen, and then press [OK].

**Clock Type**

1. Press [Clock Type].
  2. Press [12h Clock] or [24h Clock].
- Time**
1. Press [Time].
  2. Enter the time using the Touchscreen.
    - 12h Clock only
    - Press [AM/PM] to select [AM] or [PM].
  3. Press [OK].
  4. Press .

**B. Set the Station ID**

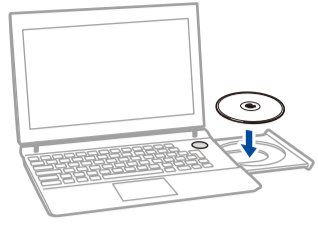
- Press [Settings] > [All Settings] > [Initial Setup] > [Station ID].
- Fax number**
1. Press [Fax].
  2. Enter your fax number (up to 20 digits) using the Touchscreen, and then press [OK].
- Telephone number**
1. Press [Tel].
  2. Enter your telephone number (up to 20 digits) using the Touchscreen, and then press [OK].
- Name**
1. Press [Name].
  2. Enter your name (up to 20 characters) using the Touchscreen, and then press [OK].
  3. Press .



# 7 Connect your machine and install software

Brother regularly updates firmware to add features and fix identified problems. To check for the latest firmware, visit [solutions.brother.com/up1](http://solutions.brother.com/up1).

## Windows® computer with CD-ROM drive



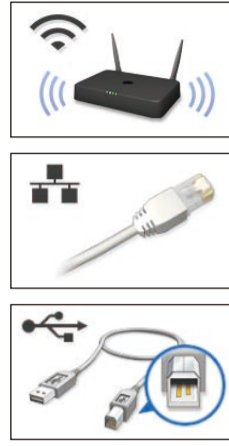
**NOTE:**  
If the Brother screen does not appear automatically, click **Start** > **Computer (My Computer)**. (For Windows® 8: click the **File Explorer** icon on the taskbar, and then go to **Computer (This PC)**.)  
Double-click the CD-ROM icon, and then double-click **start.exe**.

## Macintosh/Windows® computer without CD-ROM drive



Download the full driver and software package from the Brother Solutions Center.  
(Macintosh) [solutions.brother.com/mac](http://solutions.brother.com/mac)  
(Windows®) [solutions.brother.com/windows](http://solutions.brother.com/windows)

Choose your Connection Type:

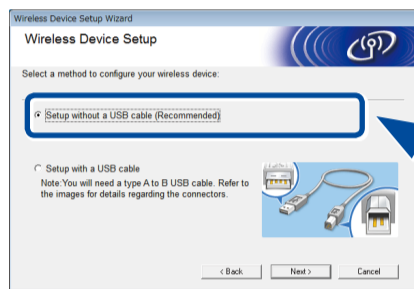


Follow the on-screen instructions to continue installation.

Follow the on-screen instructions to continue installation.

**Finish**

If using a wireless network connection:  
When the **Wireless Device Setup** screen appears, select **Setup without a USB cable (Recommended)**.

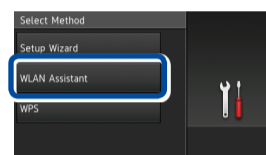


When instructed, go to your machine's LCD.

a. Press the **WiFi** icon on the LCD.



b. Press [WLAN Assistant].



Follow the on-screen instructions to continue installation.

**Finish**

**NOTE:**  
• When finished, restart your computer.  
• If connection is unsuccessful, see **?** *Cannot set up your machine?* below.

**NOTE:**  
If the LCD screen is blank, press **Wake Up** to wake up the device.

## WiFi Alternate wireless configuration method (Setup Wizard)

Restart your wireless access point/router.

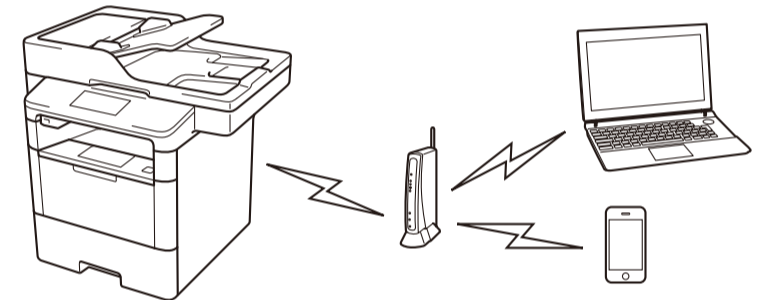


Find your SSID: XXXXXXXX  
Network key: XXXX



Press **WiFi** > [Setup Wizard] > [Yes].

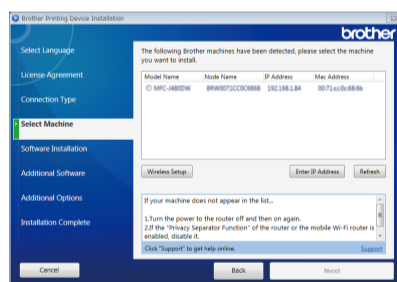
Select the SSID.  
Enter the Network key.



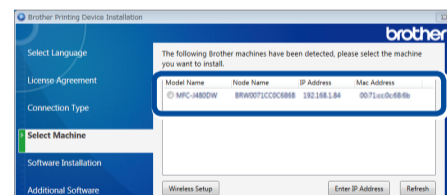
The LCD displays [Connected].

If you cannot find this information, ask your network administrator or wireless access point/router manufacturer.

To use with your computer, follow Step 7 until the **Select Machine** screen appears, listing all machines in your network.



Select your machine.



Follow the on-screen instructions to continue installation.

**Finish**

**NOTE:**  
• When finished, restart your computer.  
• If connection is unsuccessful, see **?** *Cannot set up your machine?* below.

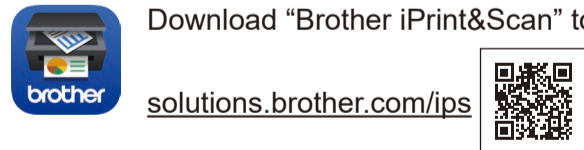
**For Network Users: Important Notice for Network Security**  
The default Web Based Management password is located on the back of the machine and marked "Pwd". We recommend immediately changing the default password to use network tools/utilities securely and to protect your machine from unauthorized access.

To use with your mobile device, go to **Print and scan using your mobile device**.

## Print and scan using your mobile device

Before printing from your mobile device, your machine must be configured according to step 7 or WiFi Alternate wireless configuration method (Setup Wizard).

Download "Brother iPrint&Scan" to start using your machine with mobile devices.

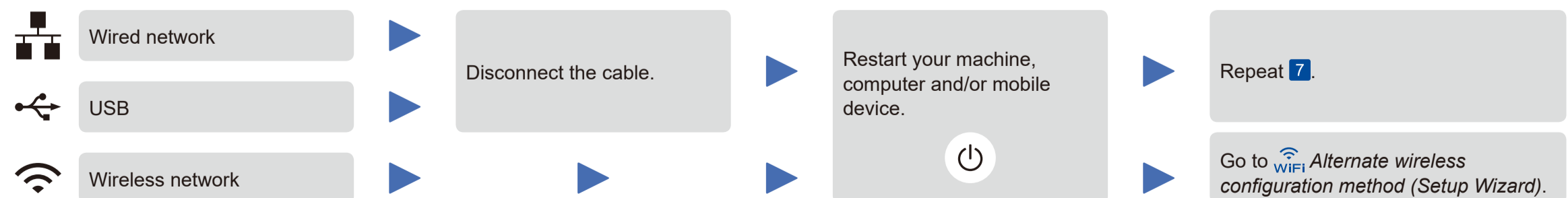


[solutions.brother.com/ips](http://solutions.brother.com/ips)



AirPrint is available for OS X and iOS users. For more information, see the *AirPrint Guide* on your model's **Manuals** web page. [solutions.brother.com/manuals](http://solutions.brother.com/manuals)

## ? Cannot set up your machine?



**NOTE:**  
If you repeat these steps and connection is still unsuccessful, please visit the Brother Solutions Center at: <http://support.brother.com>.



Brother support website <http://support.brother.com>