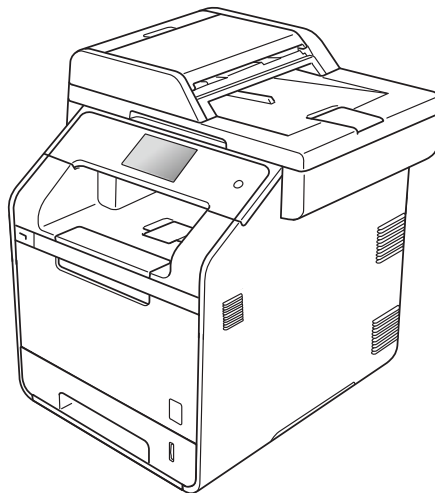




Color FAX/MFC PARTS REFERENCE LIST

MODEL:
DCP-L8400CDN/L8450CDW
MFC-L8600CDW/L8650CDW
MFC-L8850CDW/L9550CDW



Read this list thoroughly before maintenance work.

Keep this list in a convenient place for quick and easy reference at all times.

NOTE FOR USING THIS PARTS REFERENCE LIST

1. In the case of ordering parts, it is necessary to mention the following items:

- (1) Code
- (2) Q'ty
- (3) Description

<Example>

	(1)	(2)	(3)			
REFNo.	CODE	Q'TY	DESCRIPTION	MODEL	SPEC	REMARKS

2. Design-changed parts:

If any of the parts is changed, one of the following symbols is indicated in the REMARKS column.

CHG (chg): The part is changed for a new one.

ADD (add): The part is newly added.

DEL (del): The part is deleted.

Symbol in capital letters indicates the latest parts change information in the page.

3. Parts change will be informed by the Parts change information.

4. Parts are subject to change in design without prior notice.

COUNTRIES & AREAS

ARG ----- ARGENTINA

ARL/NZ ----- AUSTRALIA/ NEW ZEALAND

ASA ----- ASIA (SINGAPORE/GULF)

BRZ ----- BRAZIL

CAN ----- CANADA

CEE ----- CEE GENERAL

CHE ----- SWITZERLAND

CHL ----- CHILE

CHN ----- CHINA

FRA/BEL/NLD -----

FRANCE/BELGIUM/NETHERLANDS

GER ----- GERMANY

GUL ----- GULF

IBR ----- IBERIA (SPAIN/PORTUGAL)

ITA ----- ITALY

KOR ----- KOREA

PND ----- PAN-NORDIC

(NORWAY/FINLAND/DENMARK/SWEDEN)

RUS -----RUSSIA

TWN ----- TAIWAN

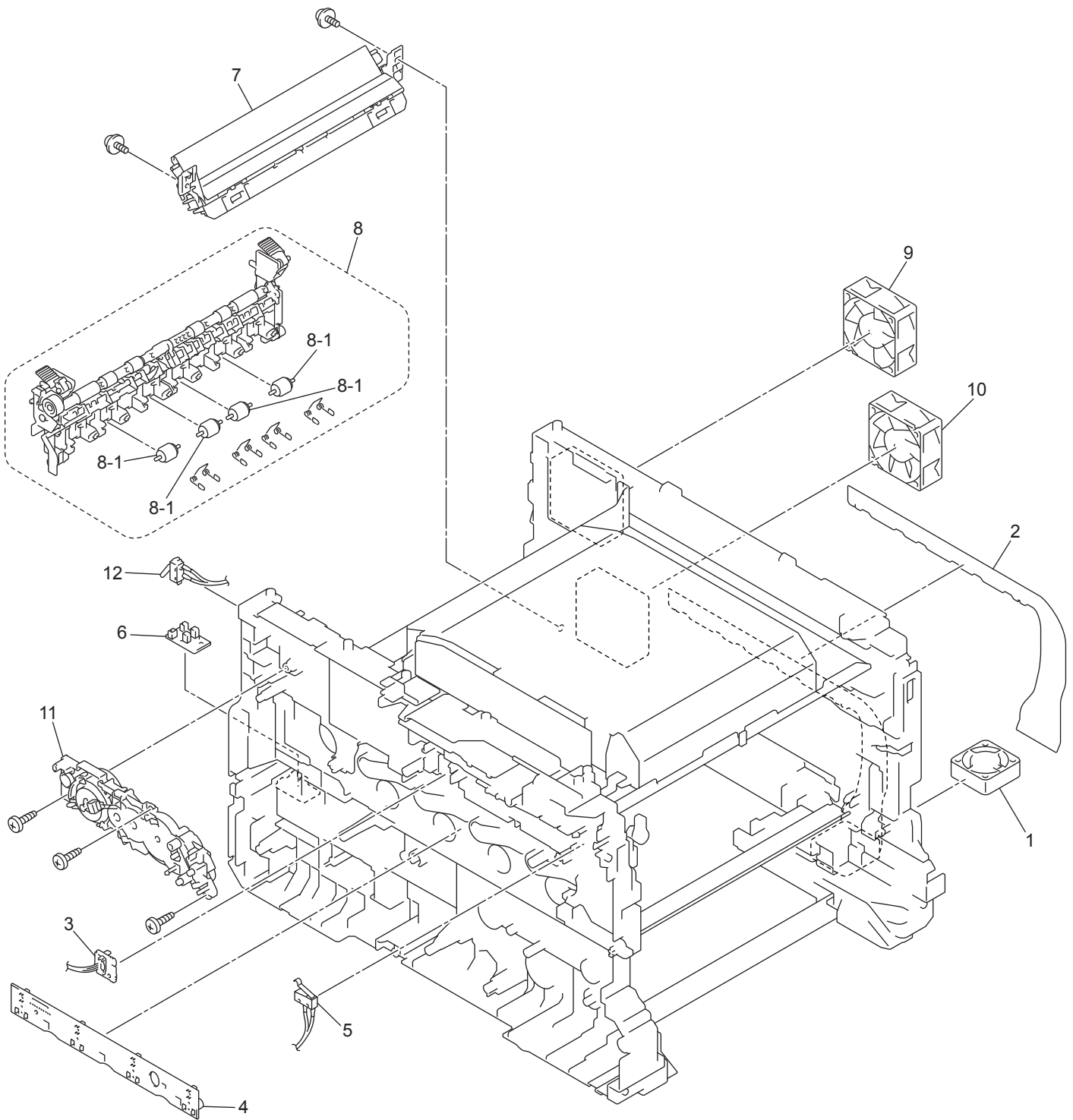
UK ----- UNITED KINGDOM

US ----- U.S.A.

CONTENTS

1.	<u>FRAME</u>	1
2.	<u>DRIVE</u>	3
3.	<u>LASER UNIT</u>	5
4.	<u>PAPER FEEDER</u>	7
5.	<u>MP UNIT</u>	9
6.	<u>DUPLEX</u>	11
7.	<u>PAPER TRAY</u>	13
8.	<u>FUSER UNIT</u>	15
9.	<u>PAPER EJECT</u>	17
10.	<u>COVERS & LABELS</u>	19
11.	<u>DOCUMENT SCANNER</u>	23
12.	<u>ADF</u>	25
13.	<u>PANEL</u>	28
14.	<u>PCB</u>	30
15.	<u>ACCESSORIES</u>	32
16.	<u>PRINTED MATERIALS</u>	35
17.	<u>PACKING MATERIALS</u>	39
18.	<u>PERIODICAL MAINTENANCE PARTS</u>	41

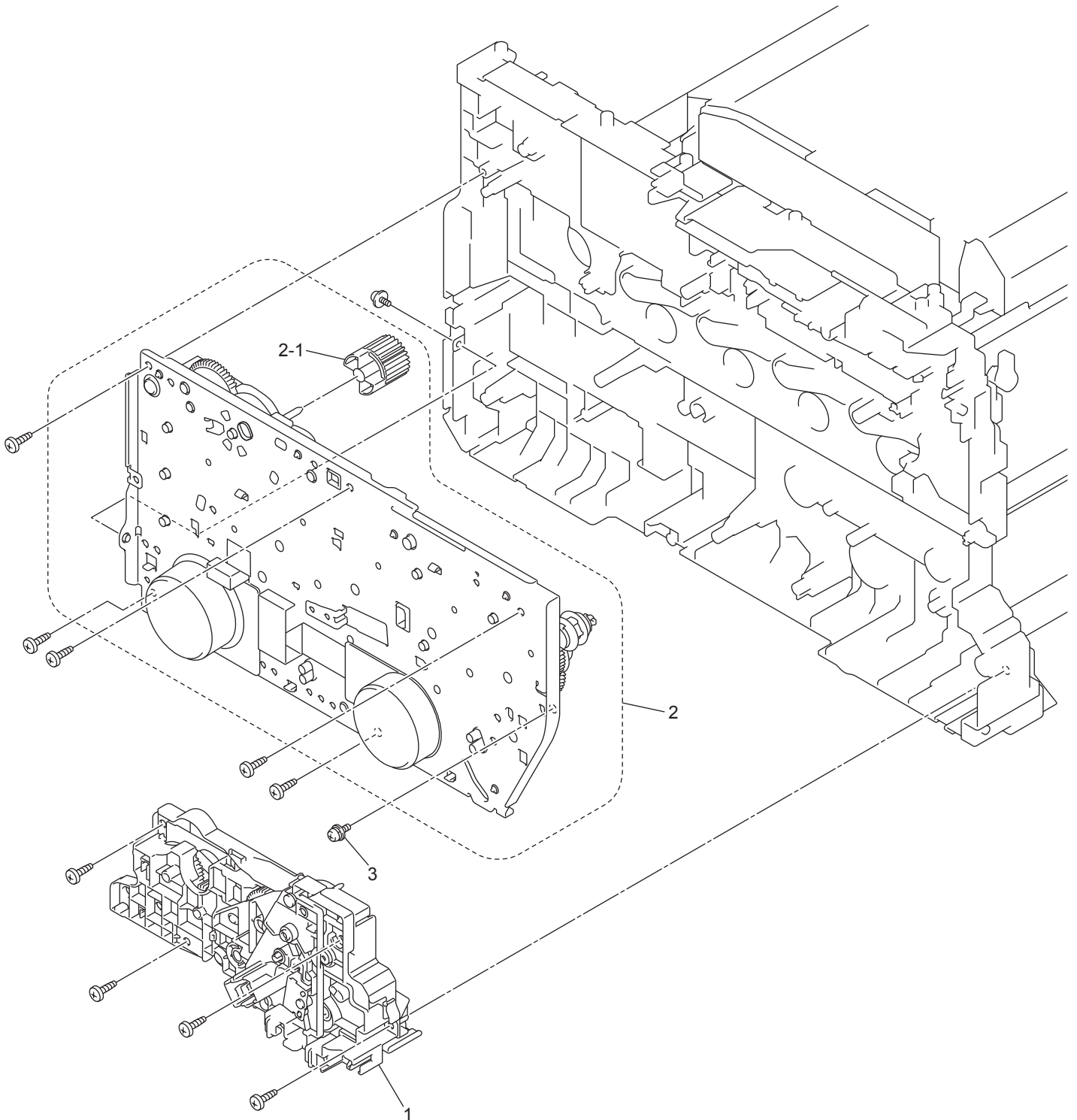
1. FRAME



1. FRAME

REF No.	CODE	Q'TY	DESCRIPTION	MODEL	SPEC	REMARKS
1	LY0101001	1	BLOWER			
2	LY7613001	1	AIR DUCT FILM			
3	LV0489001	1	DEVELOP RELEASE SENSORPCB ASSY			
4	LY7724001	1	TONER/NEW SENSOR PCB ASSY			
5	LV1177001	1	FRONT COVER SENSOR			
6	LV1412001	1	EJECT SENSOR PCB ASSY	DCP-L8400CDN	FOR GER/UK/CHE/ITA/IBR/CHN/ FRA/BEL/NLD/PND/CEE FOR BRZ	ADD
6	LV1201001	1	EJECT SENSOR PCB ASSY	DCP-L8400CDN		
6	LV1412001	1	EJECT SENSOR PCB ASSY	DCP-L8450CDW		ADD
6	LV1412001	1	EJECT SENSOR PCB ASSY	MFC-L8600CDW	FOR GUL/KOR/ARL/NZ	ADD
6	LV1201001	1	EJECT SENSOR PCB ASSY	MFC-L8600CDW	FOR US/CAN/TWN/BRZ/US_FS	
6	LV1412001	1	EJECT SENSOR PCB ASSY	MFC-L8650CDW		ADD
6	LV1412001	1	EJECT SENSOR PCB ASSY	MFC-L8850CDW	FOR GER/UK/CHE/ITA/IBR/ARG/ CHL/ASA/GUL/FRA/BEL/NLD/ ARL/NZ/PND/CEE/ITA CONSIP FOR US/CAN/TWN/BRZ/US_FS	ADD
6	LV1201001	1	EJECT SENSOR PCB ASSY	MFC-L8850CDW		
6	LV1412001	1	EJECT SENSOR PCB ASSY	MFC-L9550CDW	FOR GER/UK/CHE/ITA/IBR/ ASA/RUS/FRA/BEL/NLD/ARL/ NZ/PND/CEE FOR US/CAN	ADD
6	LV1201001	1	EJECT SENSOR PCB ASSY	MFC-L9550CDW		
7	LY7726001	1	REGISTRATION MARK SENSOR			
8	LY7727001	1	FUSER COVER ASSY			
8-1	LY0634001	4	CLEANER PINCH ROLLER S ASSY			
9	LY7625001	1	FUSER FAN			
10	LY7719001	1	POWER FAN			
11	LEN019001	1	DEVELOP RELEASE DRIVE UNIT			
12	LT2941001	1	BACK COVER SENSOR ASSY			

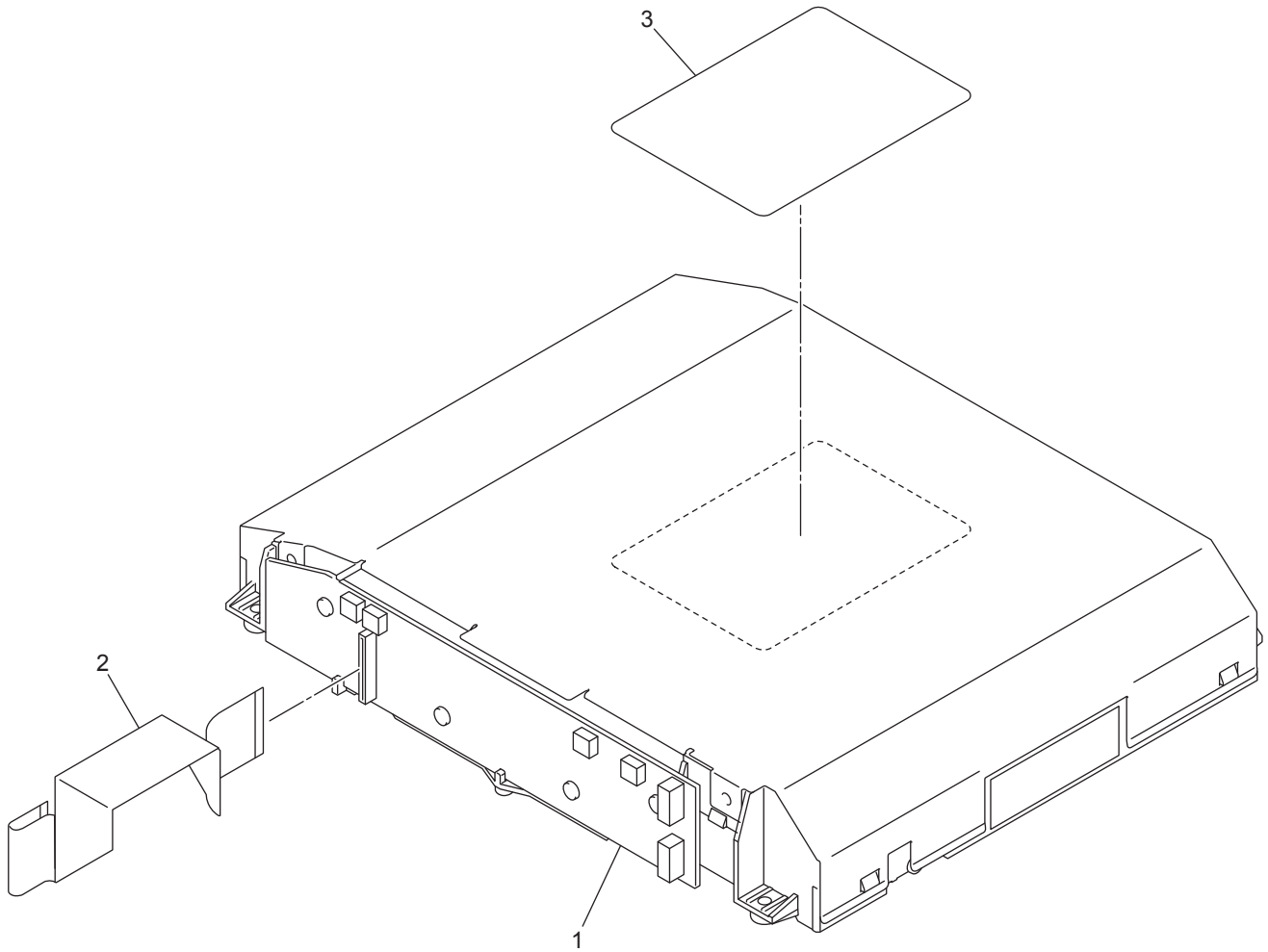
2. DRIVE



2. DRIVE

REF No.	CODE	Q'TY	DESCRIPTION	MODEL	SPEC	REMARKS
1	LY7731001	1	MAIN DRIVE UNIT			
2	LU4923001	1	PROCESS DRIVE UNIT (SP)			
2-1	LY0233001	1	FUSER DRIVE GEAR Z25			
3	LU6109001	1	TAPTITE PAN(WASHER)B M4X12DA			

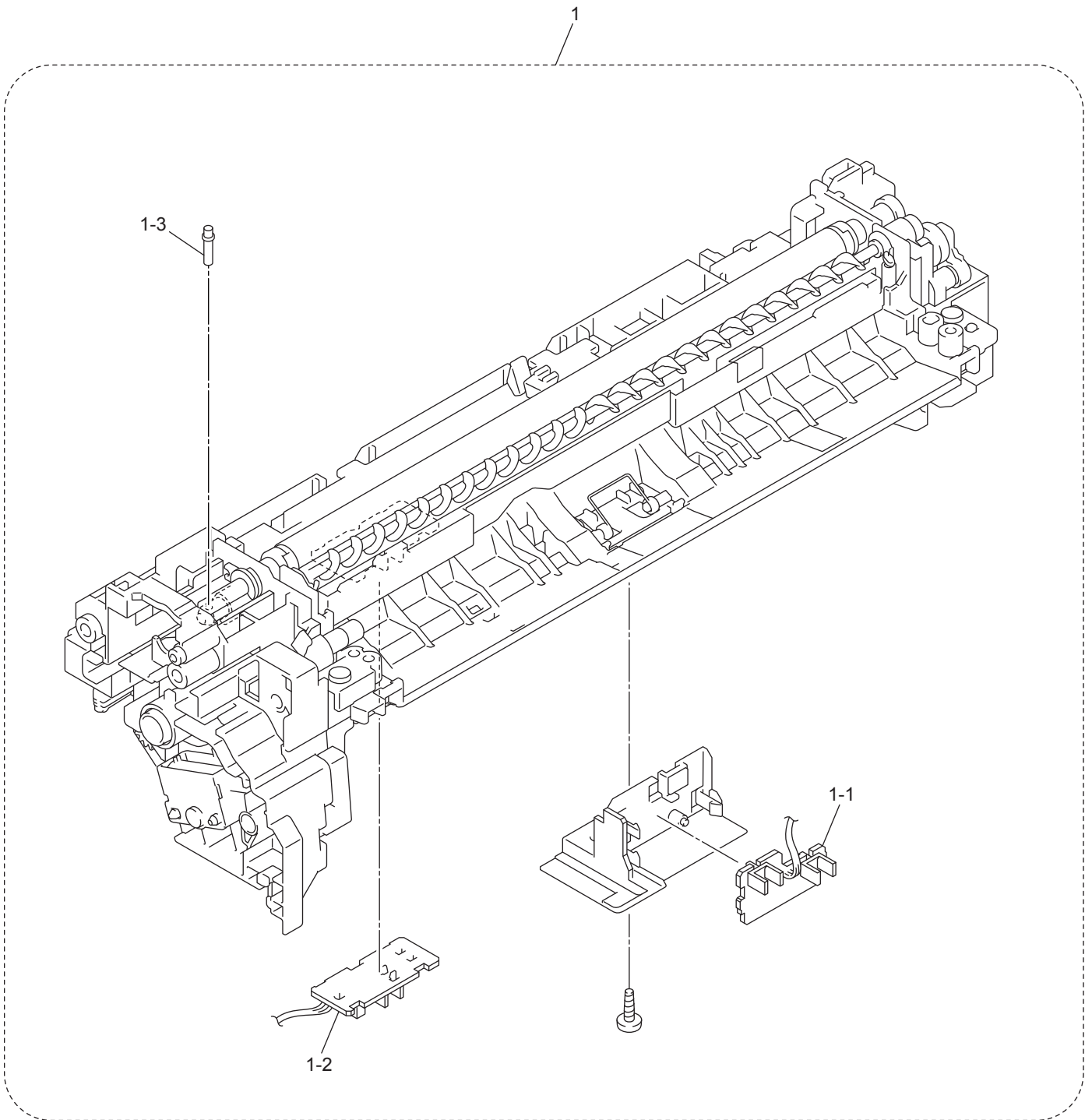
3. LASER UNIT



3. LASER UNIT

REF No.	CODE	Q'TY	DESCRIPTION	MODEL	SPEC	REMARKS
1	LU6918001	1	LASER UNIT (SP)			
2	LV1174001	1	LASER UNIT FLAT CABLE			
3	LU1259001	1	LABEL LASER CAUTION			

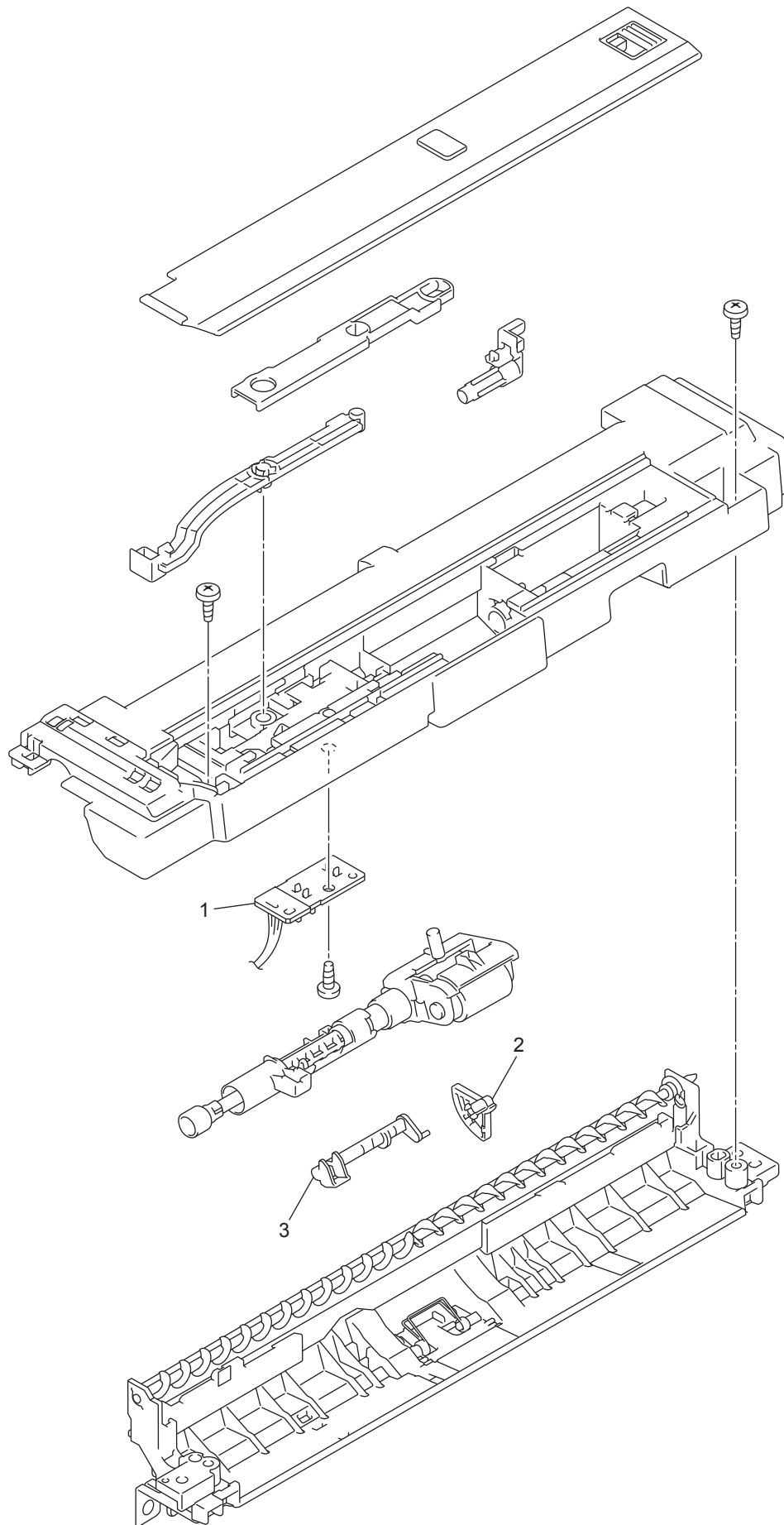
4. PAPER FEEDER



4. PAPER FEEDER

REF No.	CODE	Q'T Y	DESCRIPTION	MODEL	SPEC	REMARKS
1	LR2190001	1	PAPER FEED UNIT (SP)			CHG
1-1	LV1208001	1	REGISTRATION FRONT/REAR SENSOR PCB ASSY			
1-2	LV1210001	1	T1 PAPER FEED SENSOR PCB ASSY			
1-3	LY7136001	1	JOINT PIN			ADD

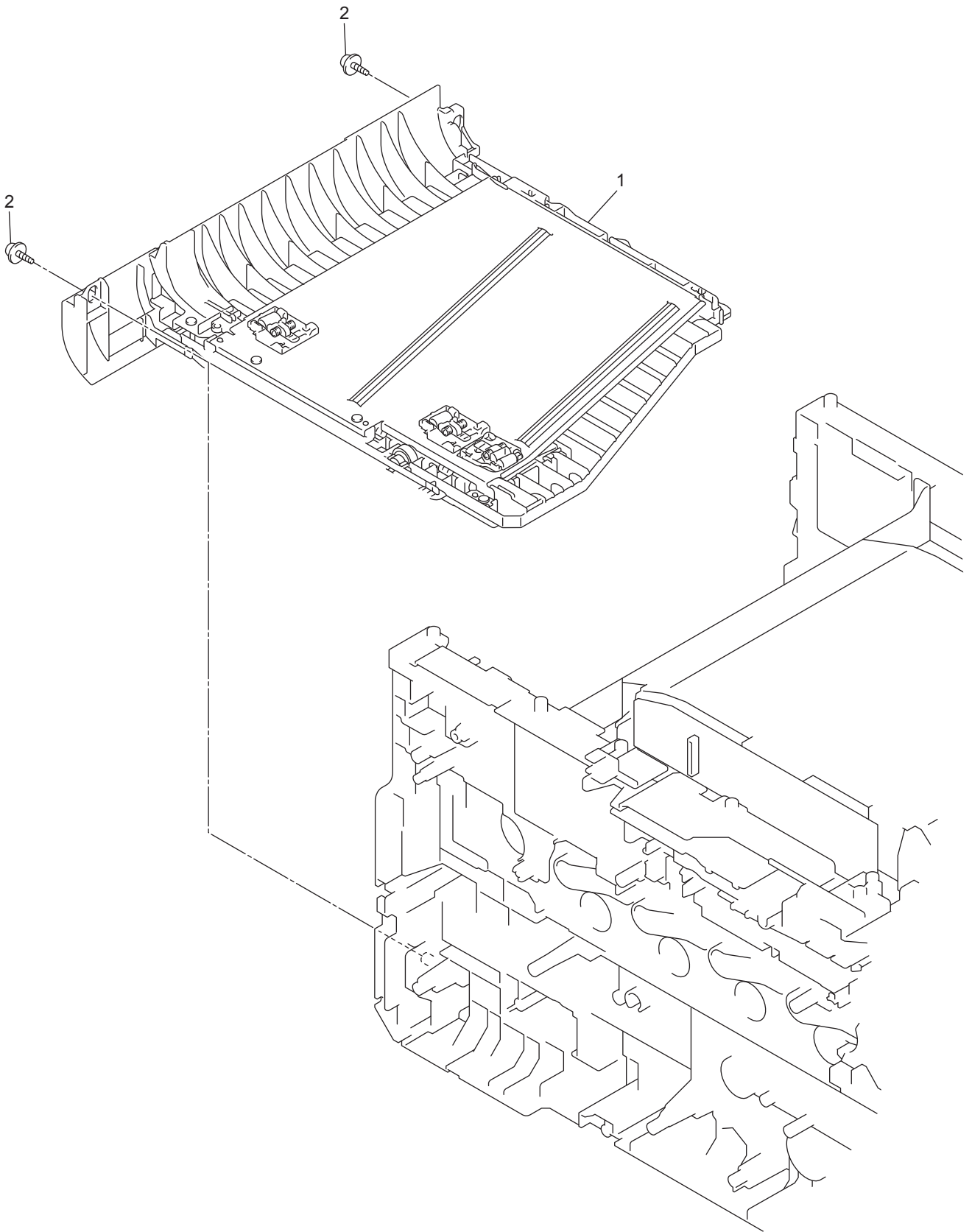
5. MP UNIT



5. MP UNIT

REF No.	CODE	Q'TY	DESCRIPTION	MODEL	SPEC	REMARKS
1	LV1212001	1	MP PAPER EMPTY/REGISTRATION FRONT SENSOR PCB ASSY			
2	LY0873001	1	MP PAPER EMPTY ACUTUATOR A ASSY			
3	LY0304001	1	MP PAPER EMPTY ACUTUATOR B			

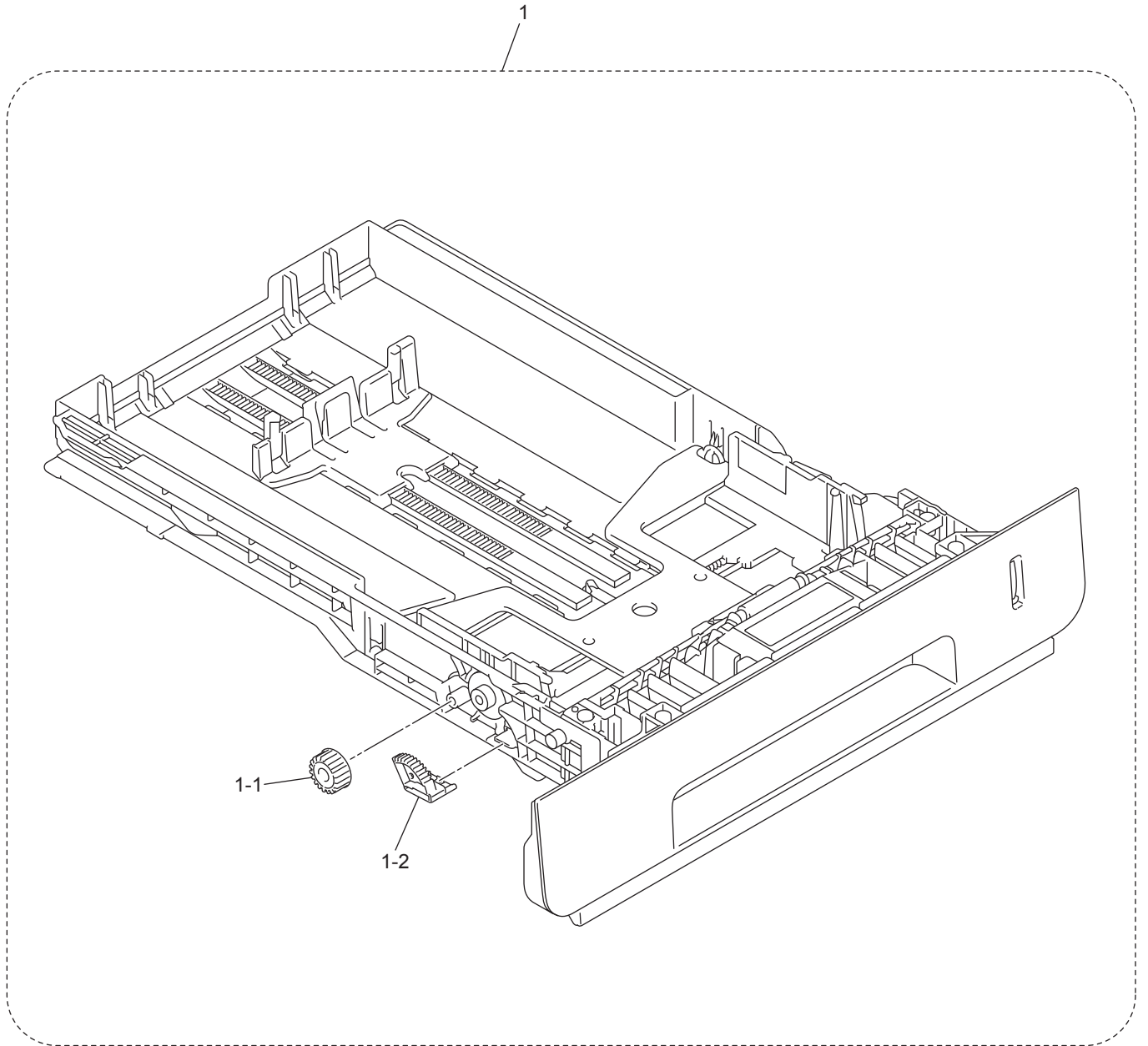
6. DUPLEX



6. DUPLEX

REF No.	CODE	Q'TY	DESCRIPTION	MODEL	SPEC	REMARKS
1	LU4929001	1	DX FEED ASSY A4 (SP)	DCP-L8400CDN	FOR GER/UK/CHE/ITA/IBR/CHN/ FRA/BEL/NLD/PND/CEE	
1	LU4928001	1	DX FEED ASSY LTR (SP)	DCP-L8400CDN	FOR BRZ	
1	LU4929001	1	DX FEED ASSY A4 (SP)	DCP-L8450CDW		
1	LU4929001	1	DX FEED ASSY A4 (SP)	MFC-L8600CDW	FOR TWN/GUL/KOR/ARL/NZ	
1	LU4928001	1	DX FEED ASSY LTR (SP)	MFC-L8600CDW	FOR US/CAN/BRZ/US FS	
1	LU4929001	1	DX FEED ASSY A4 (SP)	MFC-L8650CDW		
1	LU4928001	1	DX FEED ASSY LTR (SP)	MFC-L8850CDW	FOR US/CAN/ARG/CHL/BRZ/US_FS	
1	LU4929001	1	DX FEED ASSY A4 (SP)	MFC-L8850CDW	FOR GER/UK/CHE/ITA/IBR/ TWN/ASA/GUL/FRA/BEL/NLD/ ARL/NZ/PND/CEE/ITA CONSIP	
1	LU4928001	1	DX FEED ASSY LTR (SP)	MFC-L9550CDW	FOR US/CAN	
1	LU4929001	1	DX FEED ASSY A4 (SP)	MFC-L9550CDW	FOR GER/UK/CHE/ITA/IBR/ASA/ RUS/FRA/BEL/NLD/ARL/NZ/ PND/CEE	
2	LY1163001	2	TAPTITE CUP B M3X12			

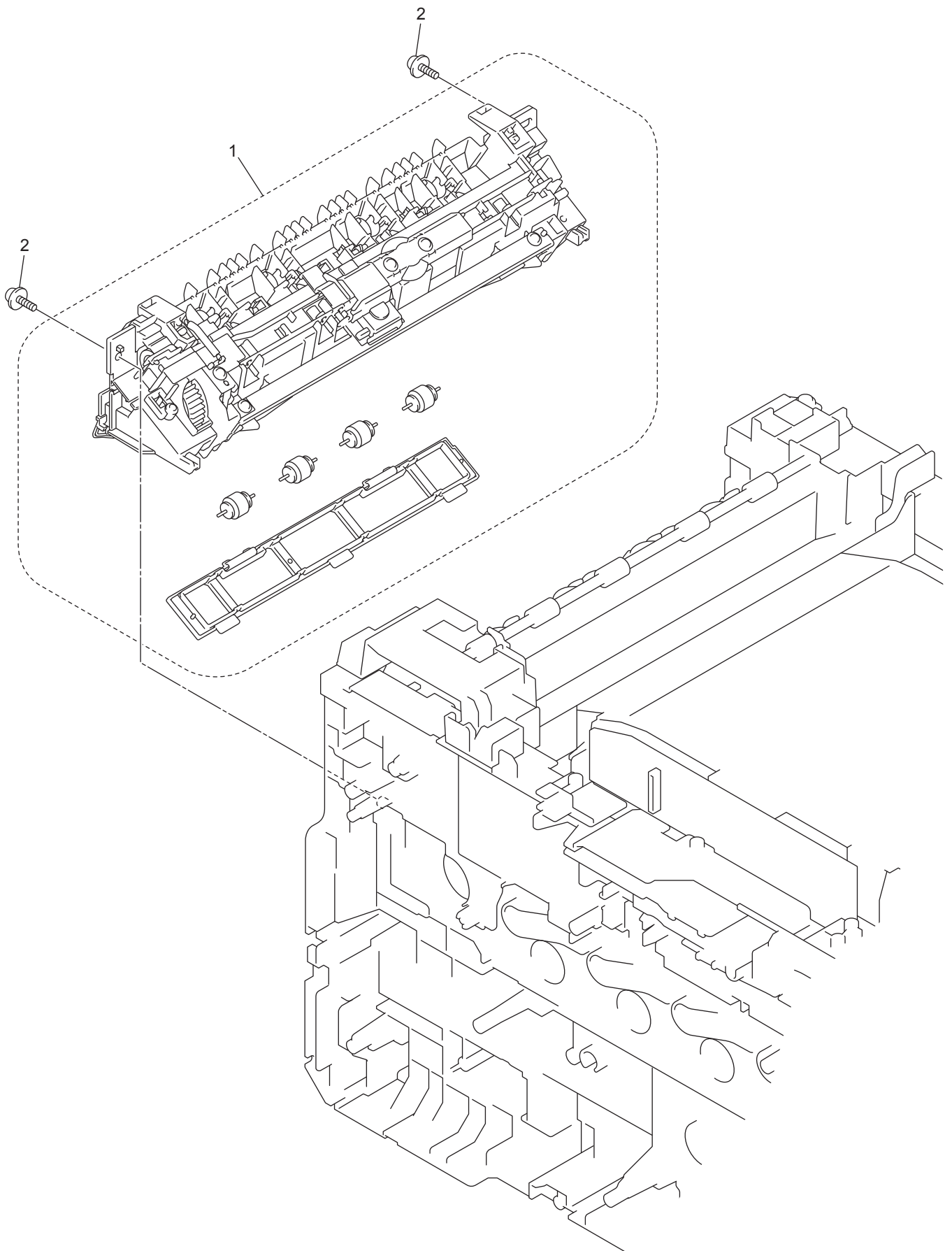
7. PAPER TRAY



7.PAPER TRAY

REF No.	CODE	Q'TY	DESCRIPTION	MODEL	SPEC	REMARKS
1	LY7750001	1	PAPER TRAY 1	DCP-L8400CDN		
1	LY7750001	1	PAPER TRAY 1	DCP-L8450CDW		
1	LY7750001	1	PAPER TRAY 1	MFC-L8600CDW		
1	LY7750001	1	PAPER TRAY 1	MFC-L8650CDW		
1	LY7750001	1	PAPER TRAY 1	MFC-L8850CDW		
1	LY7750002	1	PAPER TRAY 1	MFC-L9550CDW		
1-1	LR0252001	1	GEAR Z19M10			
1-2	LY2202001	1	LIFT GEAR 46			

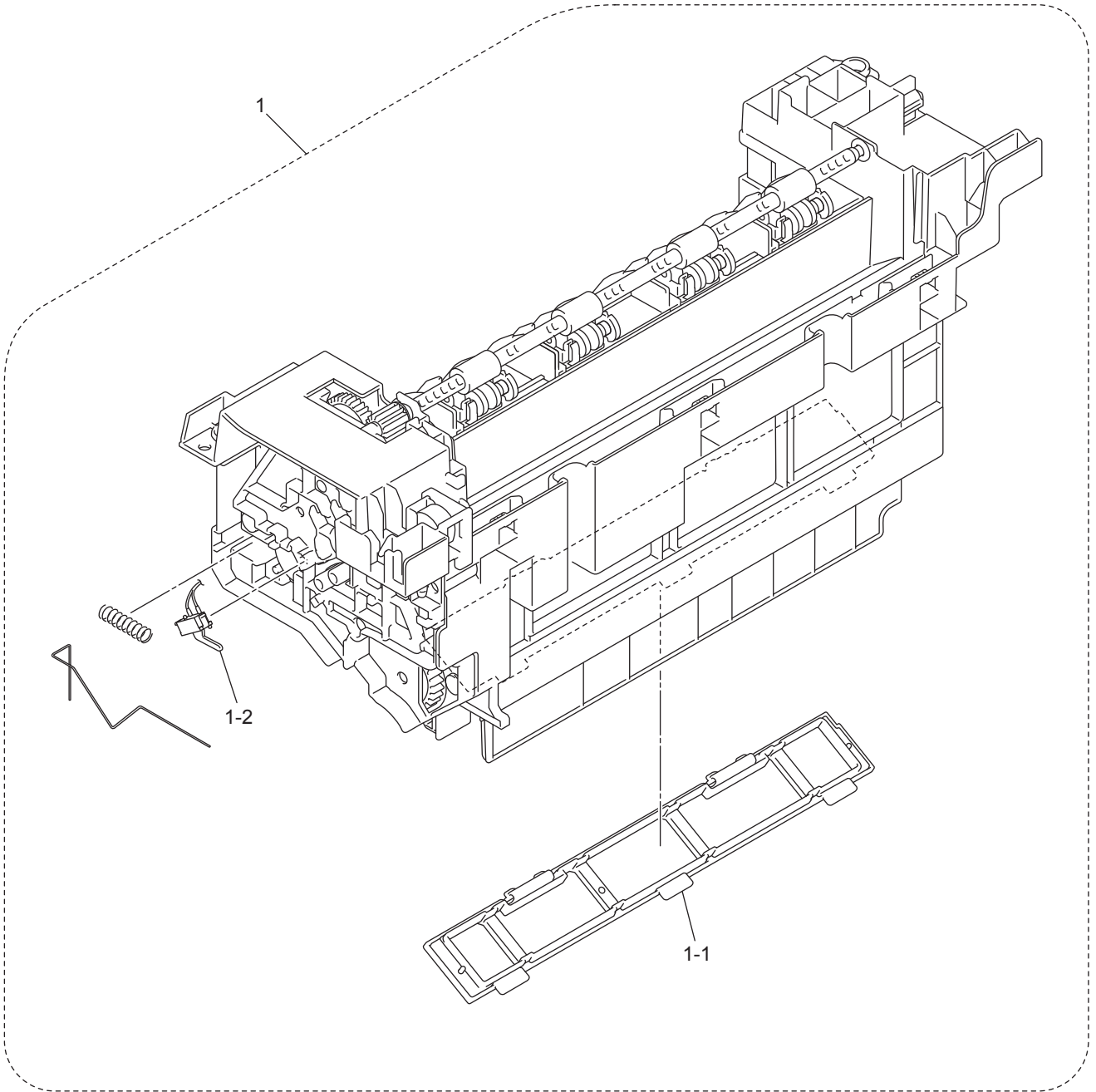
8. FUSER UNIT



8.FUSER UNIT

REF No.	CODE	Q'TY	DESCRIPTION	MODEL	SPEC	REMARKS
1	LR2242001	1	FUSER UNIT 230V(SP)	DCP-L8400CDN	FOR GER/UK/CHE/ITA/IBR/CHN/ FRA/BEL/NLD/PND/CEE	CHG
1	LR2244001	1	FUSER UNIT 127V(SP)	DCP-L8400CDN	FOR BRZ	CHG
1	LR2242001	1	FUSER UNIT 230V(SP)	DCP-L8450CDW		CHG
1	LR2241001	1	FUSER UNIT 115V(SP)	MFC-L8600CDW	FOR US/CAN/TWN/US_FS	CHG
1	LR2242001	1	FUSER UNIT 230V(SP)	MFC-L8600CDW	FOR GUL/KOR/ARL/NZ	CHG
1	LR2244001	1	FUSER UNIT 127V(SP)	MFC-L8600CDW	FOR BRZ	CHG
1	LR2242001	1	FUSER UNIT 230V(SP)	MFC-L8650CDW		CHG
1	LR2241001	1	FUSER UNIT 115V(SP)	MFC-L8850CDW	FOR US/CAN/TWN/US_FS	CHG
1	LR2242001	1	FUSER UNIT 230V(SP)	MFC-L8850CDW	FOR GER/UK/CHE/ITA/IBR/ARG/ CHL/ASA/GUL/FRA/BEL/NLD/ ARL/NZ/PND/CEE/ITA CONSIP	CHG
1	LR2244001	1	FUSER UNIT 127V(SP)	MFC-L8850CDW	FOR BRZ	CHG
1	LR2241001	1	FUSER UNIT 115V(SP)	MFC-L9550CDW	FOR US/CAN	CHG
1	LR2242001	1	FUSER UNIT 230V(SP)	MFC-L9550CDW	FOR GER/UK/CHE/ITA/IBR/ASA/ RUS/FRA/BEL/NLD/ARL/NZ/PND/CEE	CHG
2	LJ0395001	2	TAPTITE PAN B M4X14			

9. PAPER EJECT



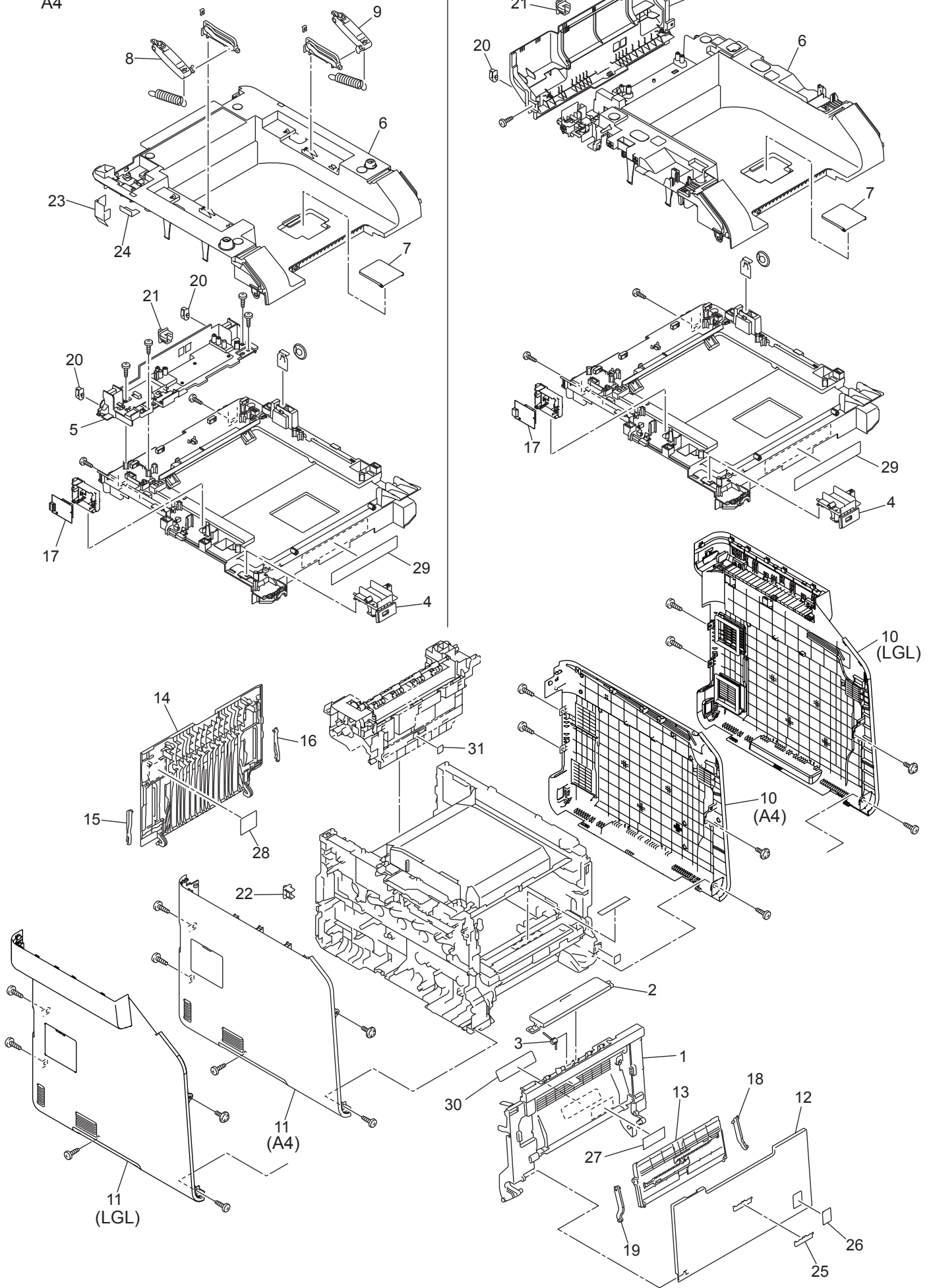
9. PAPER EJECT

REF No.	CODE	Q'TY	DESCRIPTION	MODEL	SPEC	REMARKS
1	LEN207001	1	PAPER EJECT BC2FB ASSY(SP)			
1-1	LY7841001	1	TONER FILTER ASSY			
1-2	LV1281001	1	PAPER EJECT ORIGIN SENSOR			

10. COVERS&LABELS

A4

LGL



10. COVERS & LABELS

REF No.	CODE	Q'TY	DESCRIPTION	MODEL	SPEC	REMARKS
1	LX4924001	1	FRONT COVER	DCP-L8400CDN		
1	LX4924001	1	FRONT COVER	DCP-L8450CDW		
1	LX4924001	1	FRONT COVER	MFC-L8600CDW		
1	LX4924001	1	FRONT COVER	MFC-L8650CDW		
1	LX4924001	1	FRONT COVER	MFC-L8850CDW		
1	LX4924002	1	FRONT COVER	MFC-L9550CDW		
2	LY1910002	1	FRONT COVER RELEASE BUTTON	DCP-L8400CDN		
2	LY1910002	1	FRONT COVER RELEASE BUTTON	DCP-L8450CDW		
2	LY1910002	1	FRONT COVER RELEASE BUTTON	MFC-L8600CDW		
2	LY1910002	1	FRONT COVER RELEASE BUTTON	MFC-L8650CDW		
2	LY1910002	1	FRONT COVER RELEASE BUTTON	MFC-L8850CDW		
2	LY1910003	1	FRONT COVER RELEASE BUTTON	MFC-L9550CDW		
3	LY1911001	1	FRONT COVER RELEASE BUTTON SPRING			
4	LX4925001	1	JOINT COVER USB ASSY	DCP-L8400CDN		
4	LX4925001	1	JOINT COVER USB ASSY	DCP-L8450CDW		
4	LX4925001	1	JOINT COVER USB ASSY	MFC-L8600CDW		
4	LX4925001	1	JOINT COVER USB ASSY	MFC-L8650CDW		
4	LX4925001	1	JOINT COVER USB ASSY	MFC-L8850CDW		
4	LX4925002	1	JOINT COVER USB ASSY	MFC-L9550CDW		
5	LEN004001	1	BACK COVER UPPER	DCP-L8400CDN		
5	LEN005001	1	BACK COVER UPPER	DCP-L8450CDW		
5	LX4928001	1	BACK COVER UPPER	MFC-L8600CDW		
5	LX4928001	1	BACK COVER UPPER	MFC-L8650CDW		
5	LX4946001	1	BACK COVER UPPER	MFC-L8850CDW		
5	LX4946001	1	BACK COVER UPPER	MFC-L9550CDW		
6	LX4929001	1	JOINT COVER TOP	DCP-L8400CDN		
6	LX4947001	1	JOINT COVER TOP	DCP-L8450CDW		
6	LX4929001	1	JOINT COVER TOP	MFC-L8600CDW		
6	LX4929001	1	JOINT COVER TOP	MFC-L8650CDW		
6	LX4947001	1	JOINT COVER TOP	MFC-L8850CDW		
6	LX4947002	1	JOINT COVER TOP	MFC-L9550CDW		
7	LY0428001	1	SUPPORT FLAP	DCP-L8400CDN		
7	LY0428001	1	SUPPORT FLAP	DCP-L8450CDW		
7	LY0428001	1	SUPPORT FLAP	MFC-L8600CDW		
7	LY0428001	1	SUPPORT FLAP	MFC-L8650CDW		
7	LY0428001	1	SUPPORT FLAP	MFC-L8850CDW		
7	LY0428004	1	SUPPORT FLAP	MFC-L9550CDW		
8	LP2727001	1	PULL ARM L	DCP-L8400CDN		
8	LP2727001	1	PULL ARM L	MFC-L8600CDW		
8	LP2727001	1	PULL ARM L	MFC-L8650CDW		
9	LP2728001	1	PULL ARM R	DCP-L8400CDN		
9	LP2728001	1	PULL ARM R	MFC-L8600CDW		
9	LP2728001	1	PULL ARM R	MFC-L8650CDW		
10	LEN006001	1	SIDE COVER R	DCP-L8400CDN		
10	LX4948001	1	SIDE COVER R	DCP-L8450CDW		
10	LX4948001	1	SIDE COVER R	MFC-L8850CDW		
10	LX4948001	1	SIDE COVER R	MFC-L9550CDW		
10	LX4931001	1	SIDE COVER R	MFC-L8600CDW		
10	LX4931001	1	SIDE COVER R	MFC-L8650CDW		
11	LEN119001	1	SIDE COVER L	DCP-L8400CDN		
11	LX4952001	1	SIDE COVER L	DCP-L8450CDW		
11	LX4932001	1	SIDE COVER L	MFC-L8600CDW		
11	LX4932001	1	SIDE COVER L	MFC-L8650CDW		
11	LX4952001	1	SIDE COVER L	MFC-L8850CDW		
11	LX4952001	1	SIDE COVER L	MFC-L9550CDW		
12	LY0452003	1	MP COVER ASSY	DCP-L8400CDN		
12	LY0452003	1	MP COVER ASSY	DCP-L8450CDW		
12	LY0452003	1	MP COVER ASSY	MFC-L8600CDW		
12	LY0452003	1	MP COVER ASSY	MFC-L8650CDW		
12	LY0452003	1	MP COVER ASSY	MFC-L8850CDW		
12	LY0452004	1	MP COVER ASSY	MFC-L9550CDW		
13	LY0456003	1	MP PAPER GUIDE ASSY	DCP-L8400CDN		
13	LY0456003	1	MP PAPER GUIDE ASSY	DCP-L8450CDW		
13	LY0456003	1	MP PAPER GUIDE ASSY	MFC-L8600CDW		
13	LY0456003	1	MP PAPER GUIDE ASSY	MFC-L8650CDW		
13	LY0456003	1	MP PAPER GUIDE ASSY	MFC-L8850CDW		
13	LY0456004	1	MP PAPER GUIDE ASSY	MFC-L9550CDW		
14	LY1868001	1	BACK COVER			
15	LY0450001	1	BACK COVER STOPPER ARM L			
16	LY0451001	1	BACK COVER STOPPER ARM R			

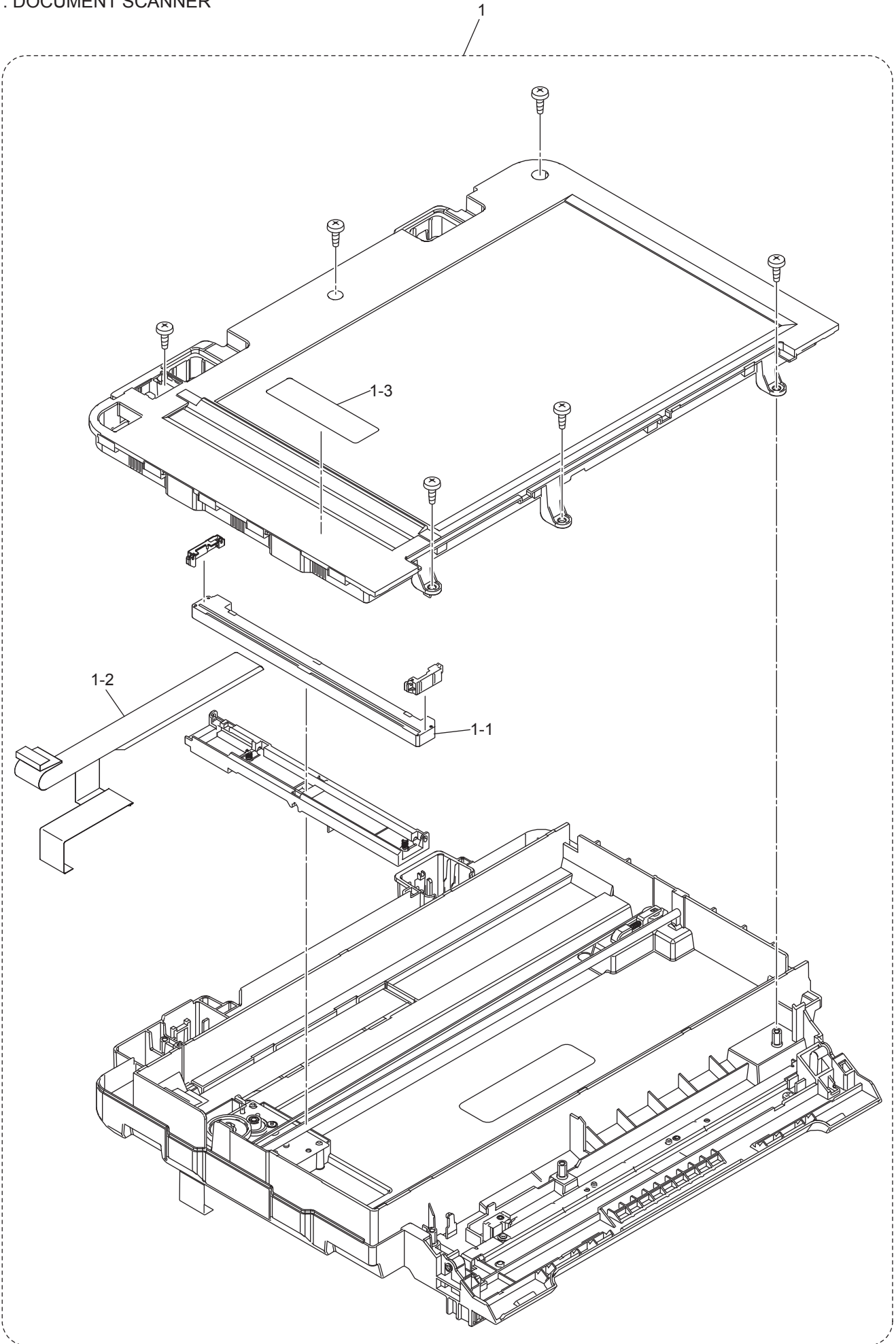
10. COVERS & LABELS

REF No.	CODE	Q'TY	DESCRIPTION	MODEL	SPEC	REMARKS
17	LT2155001	1	WIRELESS LAN PCB	DCP-L8450CDW		
17	LT2155001	1	WIRELESS LAN PCB	MFC-L8600CDW		
17	LT2155001	1	WIRELESS LAN PCB	MFC-L8650CDW		
17	LT2155001	1	WIRELESS LAN PCB	MFC-L8850CDW		
17	LT2155001	1	WIRELESS LAN PCB	MFC-L9550CDW		
18	LY1929003	1	MP LINK R	DCP-L8400CDN		
18	LY1929003	1	MP LINK R	DCP-L8450CDW		
18	LY1929003	1	MP LINK R	MFC-L8600CDW		
18	LY1929003	1	MP LINK R	MFC-L8650CDW		
18	LY1929003	1	MP LINK R	MFC-L8850CDW		
18	LY1929004	1	MP LINK R	MFC-L9550CDW		
19	LY0460003	1	MP LINK L	DCP-L8400CDN		
19	LY0460003	1	MP LINK L	DCP-L8450CDW		
19	LY0460003	1	MP LINK L	MFC-L8600CDW		
19	LY0460003	1	MP LINK L	MFC-L8650CDW		
19	LY0460003	1	MP LINK L	MFC-L8850CDW		
19	LY0460004	1	MP LINK L	MFC-L9550CDW		
20	LX9044003	2	CODE HOOK	MFC-L8600CDW		
20	LX9044003	2	CODE HOOK	MFC-L8650CDW		
20	LX9044003	2	CODE HOOK	MFC-L8850CDW		
20	LX9044003	2	CODE HOOK	MFC-L9550CDW		
21	LE8842001	1	EXT CAP	MFC-L8600CDW		
21	LE8842001	1	EXT CAP	MFC-L8650CDW	FOR CHE/ITA/IBR/RUS/PND/CEE	
21	UF5745000	1	MJ COVER EXT	MFC-L8650CDW	FOR GER/UK/CHN/FRA/BEL/NLD	
21	LE8842001	1	EXT CAP	MFC-L8850CDW	FOR US/CAN/CHE/ITA/IBR/TWN/ ARG/CHL/ASA/GUL/BRZ/US_FS/ ARL/NZ/PND/CEE/ITA CONSP	
21	UF5745000	1	MJ COVER EXT	MFC-L8850CDW	FOR GER/UK/FRA/BEL/NLD	
21	LE8842001	1	EXT CAP	MFC-L9550CDW	FOR US/CAN/CHE/ITA/IBR/ASA/ RUS/ARL/NZ/PND/CEE	
21	UF5745000	1	MJ COVER EXT	MFC-L9550CDW	FOR GER/UK/FRA/BEL/NLD	
22	LY0872001	1	LAN PORT CAP			
23	LX4971001	1	JOINT FILM	DCP-L8400CDN		
23	LX4971001	1	JOINT FILM	MFC-L8600CDW		
23	LX4971001	1	JOINT FILM	MFC-L8650CDW		
24	LEN065001	1	JOINT FILM2	DCP-L8400CDN		
24	LEN065001	1	JOINT FILM2	MFC-L8600CDW		
25	LY4852002	1	EMBLEM BROTHER SHEET	DCP-L8400CDN		
25	LY4852002	1	EMBLEM BROTHER SHEET	DCP-L8450CDW		
25	LY4852002	1	EMBLEM BROTHER SHEET	MFC-L8600CDW		
25	LY4852002	1	EMBLEM BROTHER SHEET	MFC-L8650CDW		
25	LY4852002	1	EMBLEM BROTHER SHEET	MFC-L8850CDW		
25	LY4852005	1	EMBLEM BROTHER SHEET	MFC-L9550CDW		
26	LY7850001	1	COLOR LASER LABEL	DCP-L8400CDN		
26	LY7850001	1	COLOR LASER LABEL	DCP-L8450CDW		
26	LY7850001	1	COLOR LASER LABEL	MFC-L8600CDW		
26	LY7850001	1	COLOR LASER LABEL	MFC-L8650CDW		
26	LY7850001	1	COLOR LASER LABEL	MFC-L8850CDW		
26	LY7850002	1	COLOR LASER LABEL	MFC-L9550CDW		
27	LY7886001	1	MP SET INSTRUCTION LABEL			
28	LY7888001	1	LABEL H/SP CAUTION REAR 49X45			
29	LY7889001	1	LABEL DR OPERATION			
30	LY7892001	1	LABEL H/SP CAUTION	DCP-L8400CDN	FOR GER/UK/CHE/ITA/IBR/ FRA/BEL/NLD/PND/CEE	
30	LY7987001	1	LABEL H/SP CAUTION	DCP-L8400CDN	FOR CHN	
30	LY7982001	1	LABEL H/SP CAUTION	DCP-L8400CDN	FOR BRZ	
30	LY7893001	1	LABEL H/SP CAUTION	DCP-L8450CDW		
30	LY7891001	1	LABEL H/SP CAUTION	MFC-L8600CDW	FOR US/CAN/US_FS	
30	LY7986001	1	LABEL H/SP CAUTION	MFC-L8600CDW	FOR TWN/KOR	
30	LU6853001	1	LABEL H/SP CAUTION	MFC-L8600CDW	FOR GUL	
30	LY7982001	1	LABEL H/SP CAUTION	MFC-L8600CDW	FOR BRZ	
30	LY7984001	1	LABEL H/SP CAUTION	MFC-L8600CDW	FOR ARL/NZ	
30	LY7892001	1	LABEL H/SP CAUTION	MFC-L8650CDW	FOR GER/UK/CHE/ITA/IBR/RUS/ FRA/BEL/NLD/PND/CEE	
30	LY7987001	1	LABEL H/SP CAUTION	MFC-L8650CDW	FOR CHN	
30	LY7891001	1	LABEL H/SP CAUTION	MFC-L8850CDW	FOR US/CAN/US_FS	
30	LY7893001	1	LABEL H/SP CAUTION	MFC-L8850CDW	FOR GER/UK/CHE/ITA/IBR/ FRA/BEL/NLD/PND/CEE/ITA CONSP	
30	LY7986001	1	LABEL H/SP CAUTION	MFC-L8850CDW	FOR TWN/ASA	
30	LY7982001	1	LABEL H/SP CAUTION	MFC-L8850CDW	FOR ARG/CHL/BRZ	
30	LU6853001	1	LABEL H/SP CAUTION	MFC-L8850CDW	FOR GUL	

10. COVERS & LABELS

REF No.	CODE	Q'TY	DESCRIPTION	MODEL	SPEC	REMARKS
30	LY7984001	1	LABEL H/SP CAUTION	MFC-L8850CDW	FOR ARL/NZ	
30	LY7981001	1	LABEL H/SP CAUTION	MFC-L9550CDW	FOR US/CAN	
30	LY7983001	1	LABEL H/SP CAUTION	MFC-L9550CDW	FOR GER/UK/CHE/ITA/IBR/RUS/ FRA/BEL/NLD/PND/CEE	
30	LY7986001	1	LABEL H/SP CAUTION	MFC-L9550CDW	FOR ASA	
30	LY7985001	1	LABEL H/SP CAUTION	MFC-L9550CDW	FOR ARL/NZ	
31	LY1430001	1	LABEL HIGH TEMP 13.9X13.4			

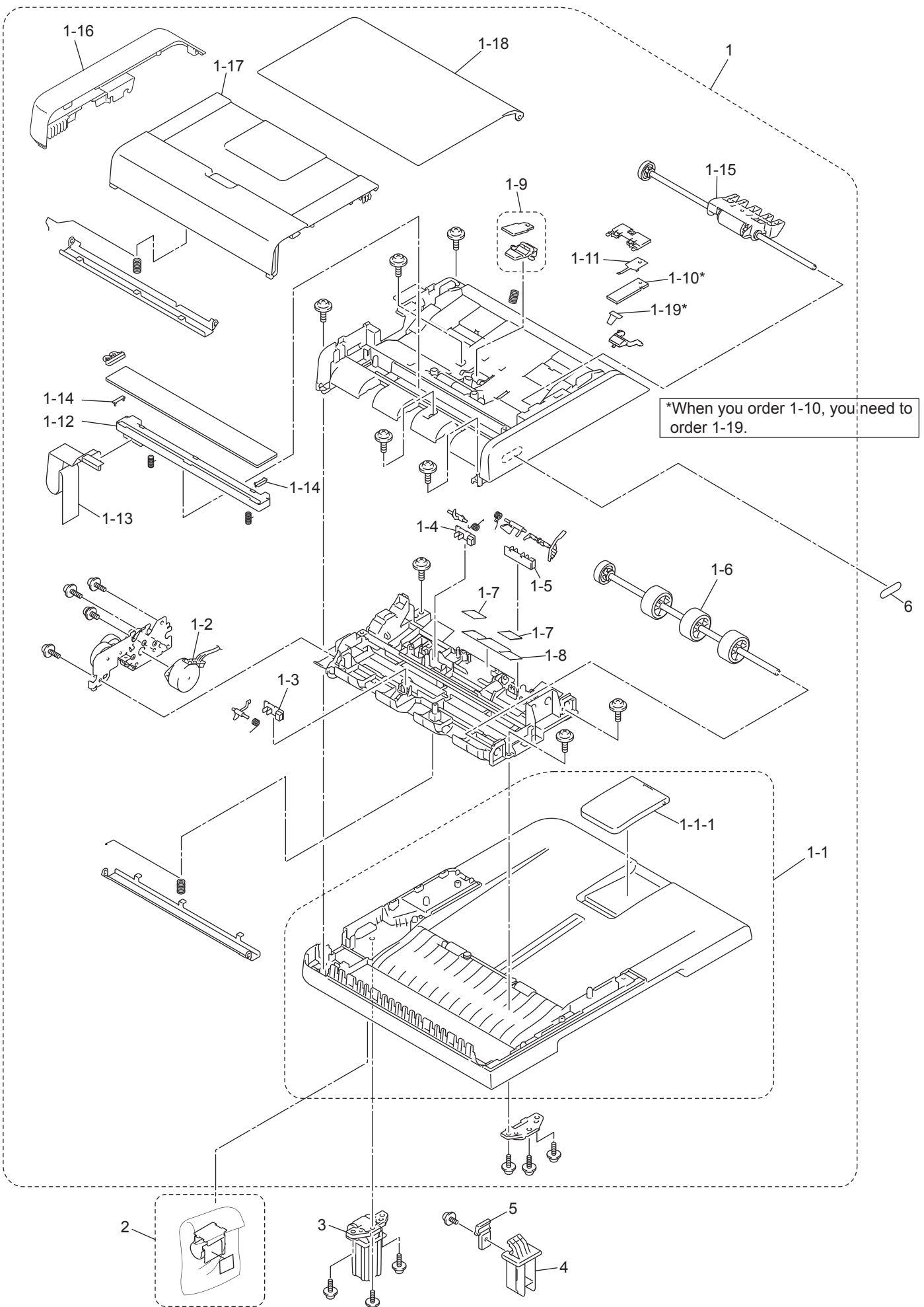
11. DOCUMENT SCANNER



11. DOCUMENT SCANNER

REF No.	CODE	Q'TY	DESCRIPTION	MODEL	SPEC	REMARKS
1	LEN205001	1	DOCUMENT SCANNER UNIT(SP)	DCP-L8400CDN		
1	LEN206001	1	DOCUMENT SCANNER UNIT(SP)	DCP-L8450CDW		
1	LEN205001	1	DOCUMENT SCANNER UNIT(SP)	MFC-L8600CDW		
1	LEN205001	1	DOCUMENT SCANNER UNIT(SP)	MFC-L8650CDW		
1	LEN206001	1	DOCUMENT SCANNER UNIT(SP)	MFC-L8850CDW		
1	LEN206002	1	DOCUMENT SCANNER UNIT(SP)	MFC-L9550CDW		
1-1	LT3225001	1	FIRST SIDE CIS UNIT			
1-2	LT2944001	1	FIRST SIDE CIS FLAT CABLE	DCP-L8400CDN		
1-2	LT2946001	1	FIRST SIDE CIS FLAT CABLE	DCP-L8450CDW		
1-2	LT2944001	1	FIRST SIDE CIS FLAT CABLE	MFC-L8600CDW		
1-2	LT2944001	1	FIRST SIDE CIS FLAT CABLE	MFC-L8650CDW		
1-2	LT2946001	1	FIRST SIDE CIS FLAT CABLE	MFC-L8850CDW		
1-2	LT2946001	1	FIRST SIDE CIS FLAT CABLE	MFC-L9550CDW		
1-3	LX5186001	1	ADF CLEAN UP LABEL	DCP-L8400CDN		
1-3	LX7422001	1	ADF CLEAN UP LABEL	DCP-L8450CDW		
1-3	LX5186001	1	ADF CLEAN UP LABEL	MFC-L8600CDW		
1-3	LX7422001	1	ADF CLEAN UP LABEL	MFC-L8650CDW		
1-3	LX7422001	1	ADF CLEAN UP LABEL	MFC-L8850CDW		
1-3	LX7422001	1	ADF CLEAN UP LABEL	MFC-L9550CDW		

12. ADF



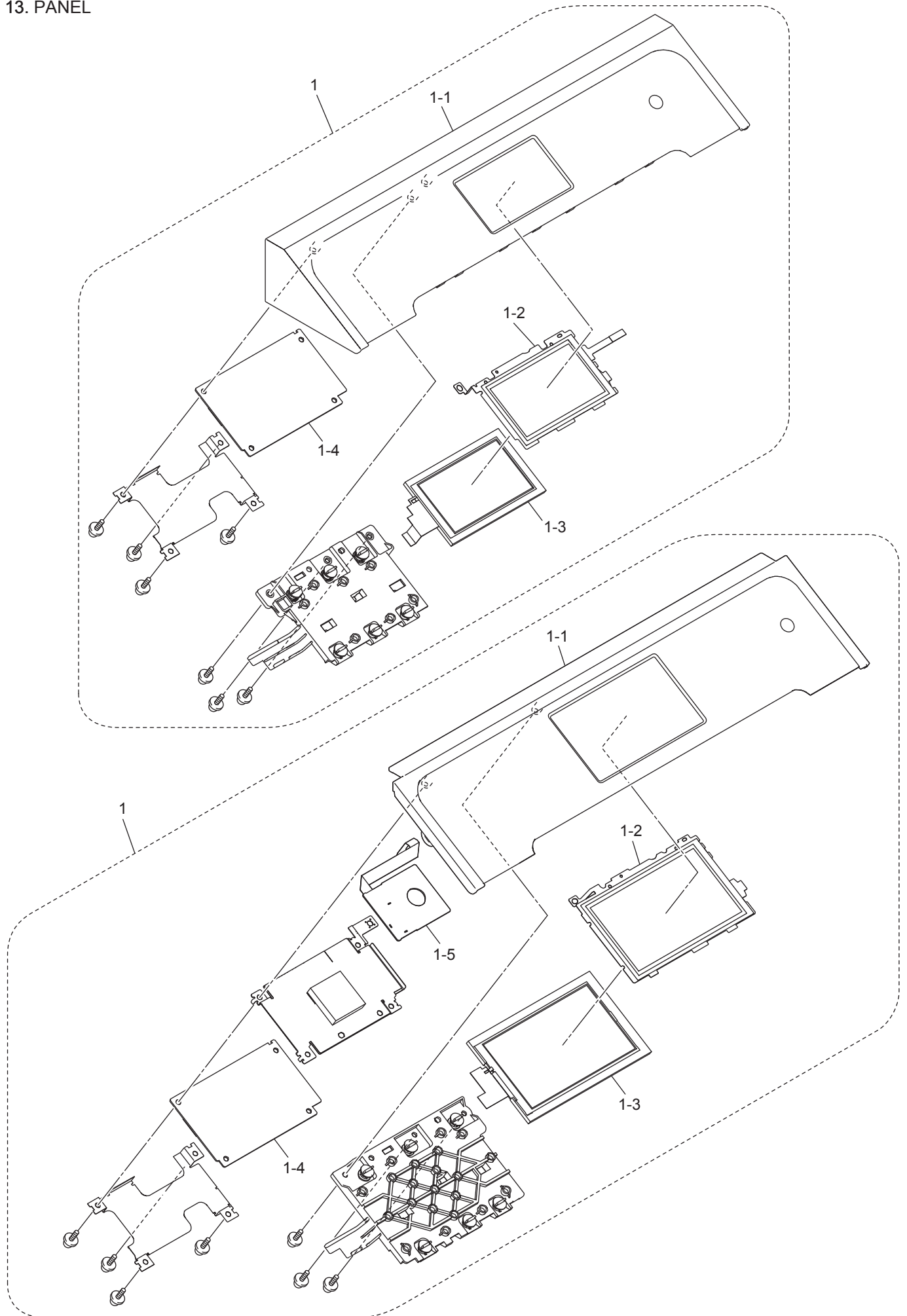
12. ADF

REF No.	CODE	Q'TY	DESCRIPTION	MODEL	SPEC	REMARKS
1	LEN202001	1	ADF UNIT (SP)	DCP-L8400CDN		
1	LEN204001	1	ADF UNIT (SP)	DCP-L8450CDW		
1	LEN202001	1	ADF UNIT (SP)	MFC-L8600CDW		
1	LEN203001	1	ADF UNIT (SP)	MFC-L8650CDW		
1	LEN204001	1	ADF UNIT (SP)	MFC-L8850CDW		
1	LEN204001	1	ADF UNIT (SP)	MFC-L9550CDW		
1-1	LX4939001	1	DOCUMENT COVER ASSY	DCP-L8400CDN		
1-1	LX4959001	1	DOCUMENT COVER ASSY	DCP-L8450CDW		
1-1	LX4939001	1	DOCUMENT COVER ASSY	MFC-L8600CDW		
1-1	LX4939001	1	DOCUMENT COVER ASSY	MFC-L8650CDW		
1-1	LX4959001	1	DOCUMENT COVER ASSY	MFC-L8850CDW		
1-1	LX4959001	1	DOCUMENT COVER ASSY	MFC-L9550CDW		
1-1-1	LX4184001	1	ADF DOCUMENT OUTPUT STOPPER FLAP	DCP-L8400CDN		
1-1-1	LX4267001	1	ADF DOCUMENT OUTPUT STOPPER FLAP	DCP-L8450CDW		
1-1-1	LX4184001	1	ADF DOCUMENT OUTPUT STOPPER FLAP	MFC-L8600CDW		
1-1-1	LX4184001	1	ADF DOCUMENT OUTPUT STOPPER FLAP	MFC-L8650CDW		
1-1-1	LX4267001	1	ADF DOCUMENT OUTPUT STOPPER FLAP	MFC-L8850CDW		
1-1-1	LX4267001	1	ADF DOCUMENT OUTPUT STOPPER FLAP	MFC-L9550CDW		
1-2	LX4977001	1	ADF MOTOR	DCP-L8400CDN		
1-2	LX9215001	1	ADF MOTOR	DCP-L8450CDW		
1-2	LX4977001	1	ADF MOTOR	MFC-L8600CDW		
1-2	LX4977001	1	ADF MOTOR	MFC-L8650CDW		
1-2	LX9215001	1	ADF MOTOR	MFC-L8850CDW		
1-2	LX9215001	1	ADF MOTOR	MFC-L9550CDW		
1-3	LG6753001	1	FIRST SIDE DOCUMENT SCANNING POSITION SENSOR PCB ASSY			
1-4	LG6753001	1	SECOND SIDE DOCUMENT SCANNING POSITION SENSOR PCB	DCP-L8450CDW		
1-4	LG6753001	1	SECOND SIDE DOCUMENT SCANNING POSITION SENSOR PCB	MFC-L8650CDW		
1-4	LG6753001	1	SECOND SIDE DOCUMENT SCANNING POSITION SENSOR PCB	MFC-L8850CDW		
1-4	LG6753001	1	SECOND SIDE DOCUMENT SCANNING POSITION SENSOR PCB	MFC-L9550CDW		
1-5	LT1120001	1	ADF COVER/DOCUMENT DETECTION SENSOR PCB ASSY			
1-6	LX4080001	1	DOCUMENT FEED ROLLER ASSY2	DCP-L8400CDN		
1-6	LX4241001	1	DOCUMENT FEED ROLLER ASSY2	DCP-L8450CDW		
1-6	LX4080001	1	DOCUMENT FEED ROLLER ASSY2	MFC-L8600CDW		
1-6	LX4080001	1	DOCUMENT FEED ROLLER ASSY2	MFC-L8650CDW		
1-6	LX4241001	1	DOCUMENT FEED ROLLER ASSY2	MFC-L8850CDW		
1-6	LX4241001	1	DOCUMENT FEED ROLLER ASSY2	MFC-L9550CDW		
1-7	LX5477001	2	EJECTION FILM	DCP-L8400CDN		
1-7	LX5477001	2	EJECTION FILM	MFC-L8600CDW		
1-7	LX5477001	2	EJECTION FILM	MFC-L8650CDW		
1-8	LX4363001	1	EJECTION FILM	DCP-L8450CDW		
1-8	LX4363001	1	EJECTION FILM	MFC-L8850CDW		
1-8	LX4363001	1	EJECTION FILM	MFC-L9550CDW		
1-9	LX9751001	1	ADF SEPARATION PAD HOLDER	DCP-L8400CDN		
1-9	LX9751001	1	ADF SEPARATION PAD HOLDER	MFC-L8600CDW		
1-9	LX9751001	1	ADF SEPARATION PAD HOLDER	MFC-L8650CDW		
1-10	LX9748001	1	ADF SEPARATION PAD	DCP-L8450CDW		
1-10	LX9748001	1	ADF SEPARATION PAD	MFC-L8850CDW		
1-10	LX9748001	1	ADF SEPARATION PAD	MFC-L9550CDW		
1-11	LX4777001	1	SEPARATION SUPPORT FILM	DCP-L8450CDW		
1-11	LX4777001	1	SEPARATION SUPPORT FILM	MFC-L8850CDW		
1-11	LX4777001	1	SEPARATION SUPPORT FILM	MFC-L9550CDW		
1-12	LT3225001	1	SECOND SIDE CIS UNIT	DCP-L8450CDW		
1-12	LT3225001	1	SECOND SIDE CIS UNIT	MFC-L8650CDW		
1-12	LT3225001	1	SECOND SIDE CIS UNIT	MFC-L8850CDW		
1-12	LT3225001	1	SECOND SIDE CIS UNIT	MFC-L9550CDW		
1-13	LT2947001	1	SECOND SIDE CIS FLAT CABLE	DCP-L8450CDW		
1-13	LT2945001	1	SECOND SIDE CIS FLAT CABLE	MFC-L8650CDW		
1-13	LT2947001	1	SECOND SIDE CIS FLAT CABLE	MFC-L8850CDW		
1-13	LT2947001	1	SECOND SIDE CIS FLAT CABLE	MFC-L9550CDW		
1-14	LX4100001	2	CIS SPACER	DCP-L8450CDW		

12. ADF

REF No.	CODE	Q'TY	DESCRIPTION	MODEL	SPEC	REMARKS
1-14	LX4100001	2	CIS SPACER	MFC-L8650CDW		
1-14	LX4100001	2	CIS SPACER	MFC-L8850CDW		
1-14	LX4100001	2	CIS SPACER	MFC-L9550CDW		
1-15	LX4994001	1	DOCUMENT SEPARATE ROLLER	DCP-L8400CDN		
1-15	LX4256001	1	DOCUMENT SEPARATE ROLLER	DCP-L8450CDW		
1-15	LX4994001	1	DOCUMENT SEPARATE ROLLER	MFC-L8600CDW		
1-15	LX4109001	1	DOCUMENT SEPARATE ROLLER	MFC-L8650CDW		
1-15	LX4256001	1	DOCUMENT SEPARATE ROLLER	MFC-L8850CDW		
1-15	LX4256001	1	DOCUMENT SEPARATE ROLLER	MFC-L9550CDW		
1-16	LX4117001	1	GEAR COVER	DCP-L8400CDN		
1-16	LX4264001	1	GEAR COVER	DCP-L8450CDW		
1-16	LX4117001	1	GEAR COVER	MFC-L8600CDW		
1-16	LX4117001	1	GEAR COVER	MFC-L8650CDW		
1-16	LX4264001	1	GEAR COVER	MFC-L8850CDW		
1-16	LX4264001	1	GEAR COVER	MFC-L9550CDW		
1-17	LX5042002	1	ADF COVER ASSY	DCP-L8400CDN		
1-17	LEN001001	1	ADF COVER ASSY	DCP-L8450CDW		
1-17	LX5042002	1	ADF COVER ASSY	MFC-L8600CDW		
1-17	LEF144001	1	ADF COVER ASSY DX	MFC-L8650CDW		
1-17	LEN001001	1	ADF COVER ASSY	MFC-L8850CDW		
1-17	LEN001001	1	ADF COVER ASSY	MFC-L9550CDW		
1-18	LX5371001	1	ADF DOCUMENT SUPPORT	DCP-L8400CDN		
1-18	LX4268001	1	ADF DOCUMENT SUPPORT	DCP-L8450CDW		
1-18	LX5371001	1	ADF DOCUMENT SUPPORT	MFC-L8600CDW		
1-18	LX5371001	1	ADF DOCUMENT SUPPORT	MFC-L8650CDW		
1-18	LX4268001	1	ADF DOCUMENT SUPPORT	MFC-L8850CDW		
1-18	LX4268001	1	ADF DOCUMENT SUPPORT	MFC-L9550CDW		
1-19	LX4652001	1	SEPARATE SUPPORT FILM	DCP-L8450CDW		ADD
1-19	LX4652001	1	SEPARATE SUPPORT FILM	MFC-L8850CDW		ADD
1-19	LX4652001	1	SEPARATE SUPPORT FILM	MFC-L9550CDW		ADD
2	LX4649001	1	FFC HOLDER ASSY(SP)			
3	LX5255003	1	HINGE ASSY L	DCP-L8400CDN		
3	LX4269001	1	HINGE ASSY L	DCP-L8450CDW		
3	LX5255003	1	HINGE ASSY L	MFC-L8600CDW		
3	LX4126001	1	HINGE ASSY L	MFC-L8650CDW		
3	LX4269001	1	HINGE ASSY L	MFC-L8850CDW		
3	LX4269001	1	HINGE ASSY L	MFC-L9550CDW		
4	LS8154001	1	HINGE R			
5	LS8155001	1	HINGE R SUPPORT			
6	LX4197001	1	DCP EMBLEM	DCP-L8400CDN		
6	LX4197001	1	DCP EMBLEM	DCP-L8450CDW		
6	LX4202001	1	MFC EMBLEM	MFC-L8600CDW	FOR US/CAN/BRZ/US_FS	
6	LX4196001	1	MFC EMBLEM	MFC-L8600CDW	FOR TWN/GUL/KOR/ARL/NZ	
6	LX4196001	1	MFC EMBLEM	MFC-L8650CDW		
6	LX4202001	1	MFC EMBLEM	MFC-L8850CDW	FOR US/CAN/ARG/CHL/BRZ/US_FS	
6	LX4196001	1	MFC EMBLEM	MFC-L8850CDW	FOR GER/UK/CHE/ITA/IBR/TWN/ASA/ GUL/FRA/BEL/NLD/ARL/NZ/PND/CEE/ ITA CONSIP	
6	LX4202004	1	MFC EMBLEM	MFC-L9550CDW	FOR US/CAN	
6	LX4196005	1	MFC EMBLEM	MFC-L9550CDW	FOR GER/UK/CHE/ITA/IBR/ASA/ RUS/FRA/BEL/NLD/ARL/NZ/PND/CEE	

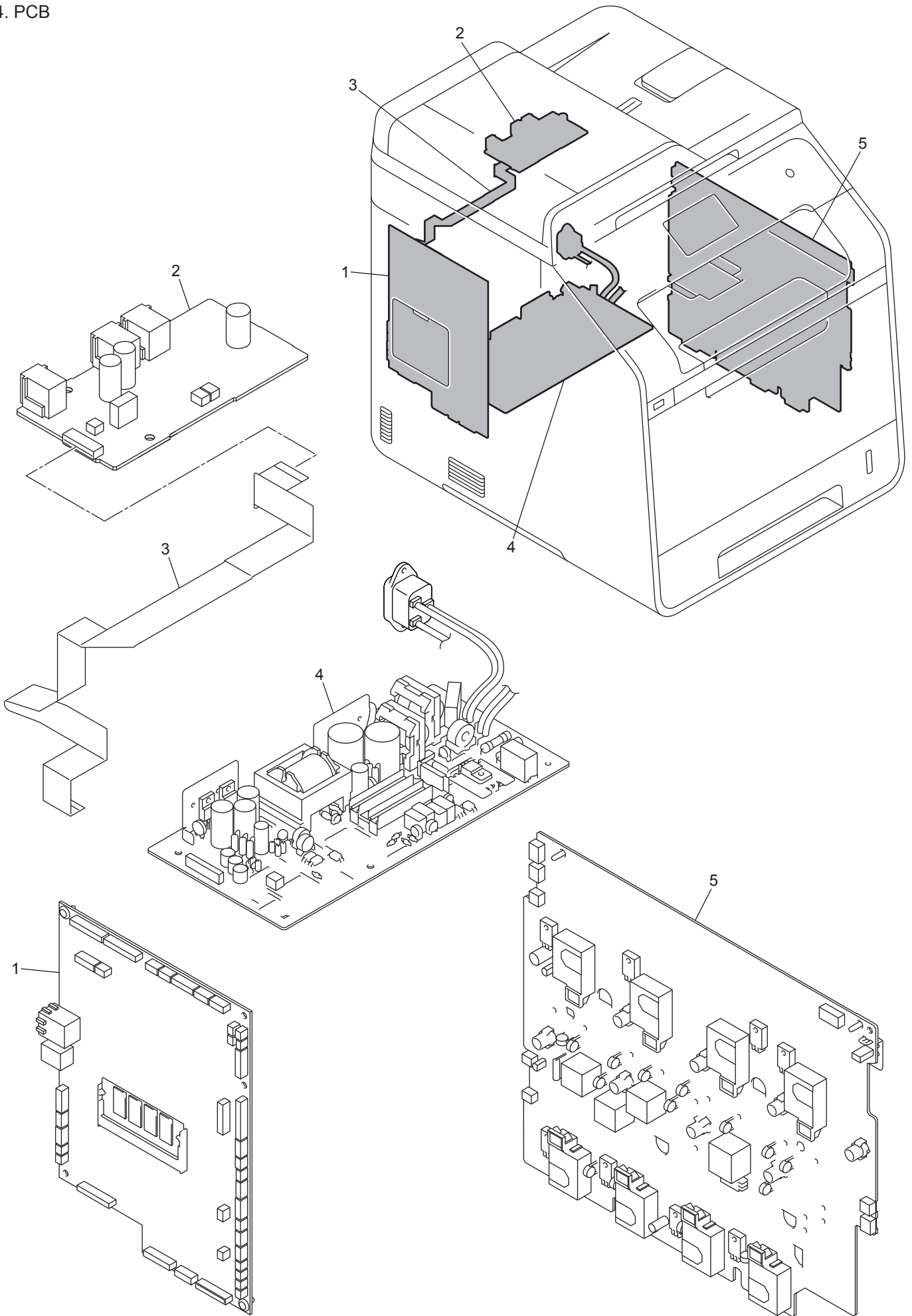
13. PANEL



13. PANEL

REF No.	CODE	Q'TY	DESCRIPTION	MODEL	SPEC	REMARKS
1	LEN066001	1	CONTROL PANEL ASSY	DCP-L8400CDN	FOR GER/UK/CHE/ITA/IBR/BRZ/ FRA/BEL/NLD/PND/CEE	
1	LEN129001	1	CONTROL PANEL ASSY	DCP-L8400CDN	FOR CHN	
1	LEN067001	1	CONTROL PANEL ASSY	DCP-L8450CDW		
1	LX4941001	1	CONTROL PANEL ASSY	MFC-L8600CDW	FOR US/CAN/GUL/BRZ/KOR/ US_FS/ARL/NZ	
1	LEN325001	1	CONTROL PANEL ASSY	MFC-L8600CDW	FOR TWN	
1	LEN056001	1	CONTROL PANEL ASSY	MFC-L8650CDW	FOR GER/UK/CHE/ITA/IBR/RUS/ FRA/BEL/NLD/PND/CEE	
1	LEN121001	1	CONTROL PANEL ASSY	MFC-L8650CDW	FOR CHN	
1	LX4961001	1	CONTROL PANEL ASSY	MFC-L8850CDW	FOR US/CAN/GER/UK/CHE/ITA/IBR/ ARG/CHL/ASA/GUL/BRZ/US_FS/ FRA/BEL/NLD/ARL/NZ/PND/CEE/ ITA CONSIP	
1	LEN326001	1	CONTROL PANEL ASSY	MFC-L8850CDW	FOR TWN	
1	LEN038001	1	CONTROL PANEL ASSY	MFC-L9550CDW		
1-1	LEN158001	1	PANEL COVER ASSY (SP)	DCP-L8400CDN		
1-1	LEN159001	1	PANEL COVER ASSY (SP)	DCP-L8450CDW		
1-1	LEN160001	1	PANEL COVER ASSY (SP)	MFC-L8600CDW		
1-1	LEN161001	1	PANEL COVER ASSY (SP)	MFC-L8650CDW		
1-1	LEN162001	1	PANEL COVER ASSY (SP)	MFC-L8850CDW		
1-1	LEN163001	1	PANEL COVER ASSY (SP)	MFC-L9550CDW		
1-2	LX4984001	1	TOUCH PANEL ASSY	DCP-L8400CDN		
1-2	LX4966001	1	TOUCH PANEL ASSY	DCP-L8450CDW		
1-2	LX4984001	1	TOUCH PANEL ASSY	MFC-L8600CDW		
1-2	LX4984001	1	TOUCH PANEL ASSY	MFC-L8650CDW		
1-2	LX4966001	1	TOUCH PANEL ASSY	MFC-L8850CDW		
1-2	LX4966001	1	TOUCH PANEL ASSY	MFC-L9550CDW		
1-3	A63291001	1	LCD	DCP-L8400CDN		
1-3	A62293001	1	LCD	DCP-L8450CDW		CHG
1-3	A63291001	1	LCD	MFC-L8600CDW		
1-3	A63291001	1	LCD	MFC-L8650CDW		
1-3	A62293001	1	LCD	MFC-L8850CDW		CHG
1-3	A62293001	1	LCD	MFC-L9550CDW		CHG
1-4	LT3084003	1	PANEL PCB UNIT	DCP-L8400CDN	FOR GER/UK/CHE/ITA/IBR/BRZ/ FRA/BEL/NLD/PND/CEE	
1-4	LT3247003	1	PANEL PCB UNIT	DCP-L8400CDN	FOR CHN	
1-4	LT3084002	1	PANEL PCB UNIT	DCP-L8450CDW		
1-4	LT3084003	1	PANEL PCB UNIT	MFC-L8600CDW	FOR US/CAN/GUL/BRZ/KOR/ US_FS/ARL/NZ	
1-4	LT3247003	1	PANEL PCB UNIT	MFC-L8600CDW	FOR TWN	
1-4	LT3084003	1	PANEL PCB UNIT	MFC-L8650CDW	FOR GER/UK/CHE/ITA/IBR/RUS/ FRA/BEL/NLD/PND/CEE	
1-4	LT3247003	1	PANEL PCB UNIT	MFC-L8650CDW	FOR CHN	
1-4	LT3084002	1	PANEL PCB UNIT	MFC-L8850CDW	FOR US/CAN/GER/UK/CHE/ITA/IBR/ ARG/CHL/ASA/GUL/BRZ/US_FS/ FRA/BEL/NLD/ARL/NZ/PND/CEE/ ITA CONSIP	
1-4	LT3247002	1	PANEL PCB UNIT	MFC-L8850CDW	FOR TWN	
1-4	LT3084001	1	PANEL PCB UNIT	MFC-L9550CDW		
1-5	LT2354004	1	NFC PCB ASSY	MFC-L9550CDW		

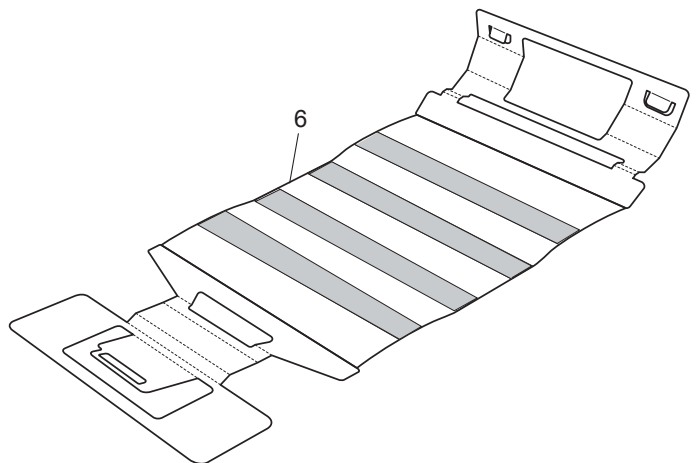
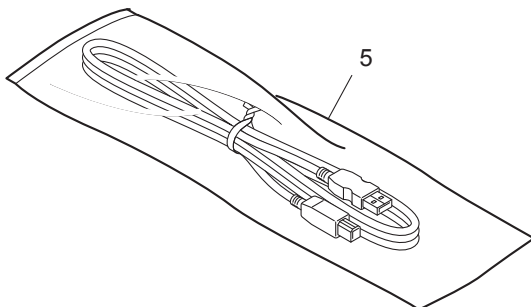
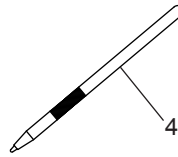
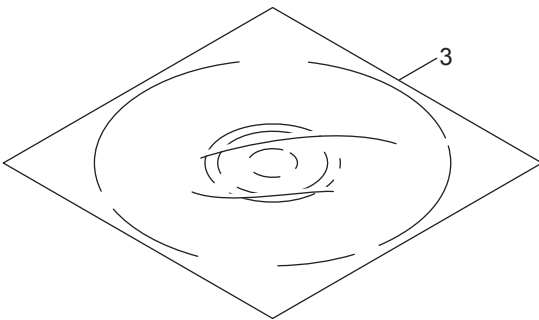
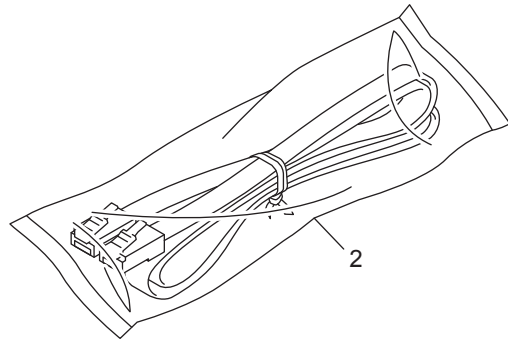
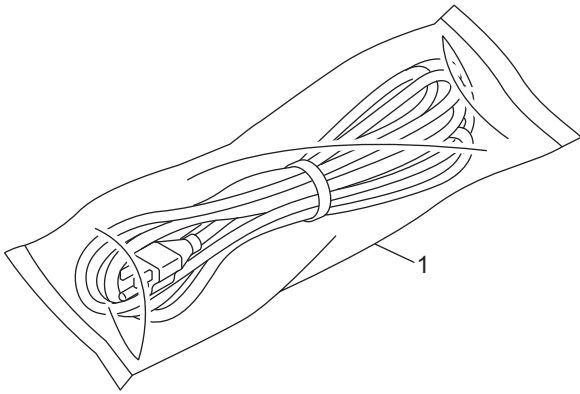
14. PCB



14. PCB

REF No.	CODE	Q'TY	DESCRIPTION	MODEL	SPEC	REMARKS
1	LT3242001	1	MAIN PCB ASSY	DCP-L8400CDN	FOR GER/UK/CHE/ITA/IBR/BRZ/ FRA/BEL/NLD/PND/CEE	
1	LT3242020	1	MAIN PCB ASSY	DCP-L8400CDN	FOR CHN	
1	LT3241001	1	MAIN PCB ASSY	DCP-L8450CDW		
1	LT2993001	1	MAIN PCB ASSY	MFC-L8600CDW	FOR US/CAN/GUL/BRZ/KOR/ARL/NZ	
1	LT2993051	1	MAIN PCB ASSY	MFC-L8600CDW	FOR US_FS	
1	LT2993020	1	MAIN PCB ASSY	MFC-L8600CDW	FOR TWN	
1	LT3060001	1	MAIN PCB ASSY	MFC-L8650CDW	FOR GER/UK/CHE/ITA/IBR/RUS/ FRA/BEL/NLD/PND/CEE	
1	LT3060020	1	MAIN PCB ASSY	MFC-L8650CDW	FOR CHN	
1	LT2997001	1	MAIN PCB ASSY	MFC-L8850CDW	FOR US/CAN/GER/UK/CHE/ ITA/IBR/ARG/CHL/ASA/GUL/BRZ/ FRA/BEL/NLD/ARL/NZ/PND/ CEE/ITA CONSIP	
1	LT2997051	1	MAIN PCB ASSY	MFC-L8850CDW	FOR US_FS	
1	LT2997020	1	MAIN PCB ASSY	MFC-L8850CDW	FOR TWN	
1	LT2997001	1	MAIN PCB ASSY	MFC-L9550CDW		
2	LT3296041	1	MODEM PCB ASSY	MFC-L8600CDW	FOR US/CAN/TWN/BRZ/KOR/US_FS	
2	LT3297042	1	MODEM PCB ASSY	MFC-L8600CDW	FOR GUL	
2	LT3298043	1	MODEM PCB ASSY	MFC-L8600CDW	FOR ARL/NZ	
2	LT3297042	1	MODEM PCB ASSY	MFC-L8650CDW	FOR GER/UK/CHE/ITA/IBR/RUS/ FRA/BEL/NLD/PND/CEE	
2	LT3296041	1	MODEM PCB ASSY	MFC-L8650CDW	FOR CHN	
2	LT3296041	1	MODEM PCB ASSY	MFC-L8850CDW	FOR US/CAN/TWN/ARG/CHL/ASA/ BRZ/US_FS	
2	LT3297042	1	MODEM PCB ASSY	MFC-L8850CDW	FOR GER/UK/CHE/ITA/IBR/GUL/ FRA/BEL/NLD/PND/CEE/ITA CONSIP	
2	LT3298043	1	MODEM PCB ASSY	MFC-L8850CDW	FOR ARL/NZ	
2	LT3296041	1	MODEM PCB ASSY	MFC-L9550CDW	FOR US/CAN/ASA	
2	LT3297042	1	MODEM PCB ASSY	MFC-L9550CDW	FOR GER/UK/CHE/ITA/IBR/RUS/ FRA/BEL/NLD/PND/CEE	
2	LT3298043	1	MODEM PCB ASSY	MFC-L9550CDW	FOR ARL/NZ	
3	LT2973001	1	MODEM FLAT CABLE	MFC-L8600CDW		
3	LT2973001	1	MODEM FLAT CABLE	MFC-L8650CDW		
3	LT2973001	1	MODEM FLAT CABLE	MFC-L8850CDW		
3	LT2973001	1	MODEM FLAT CABLE	MFC-L9550CDW		
4	LT2764001	1	LOWP-VOLTAGE POWER SUPPLY PCB UNIT	DCP-L8400CDN	FOR GER/UK/CHE/ITA/IBR/ FRA/BEL/NLD/PND/CEE	
4	LT3250001	1	LOWP-VOLTAGE POWER SUPPLY PCB UNIT	DCP-L8400CDN	FOR BRZ	
4	LT3083001	1	LOWP-VOLTAGE POWER SUPPLY PCB UNIT	DCP-L8400CDN	FOR CHN	
4	LT2764001	1	LOWP-VOLTAGE POWER SUPPLY PCB UNIT	DCP-L8450CDW		
4	LT2764001	1	LOWP-VOLTAGE POWER SUPPLY PCB UNIT	MFC-L8600CDW	FOR GUL/KOR/ARL/NZ	
4	LT2763001	1	LOWP-VOLTAGE POWER SUPPLY PCB UNIT	MFC-L8600CDW	FOR US/CAN/TWN/US_FS	
4	LT3250001	1	LOWP-VOLTAGE POWER SUPPLY PCB UNIT	MFC-L8600CDW	FOR BRZ	
4	LT2764001	1	LOWP-VOLTAGE POWER SUPPLY PCB UNIT	MFC-L8650CDW	FOR GER/UK/CHE/ITA/IBR/ FRA/BEL/NLD/PND/CEE	
4	LT3083001	1	LOWP-VOLTAGE POWER SUPPLY PCB UNIT	MFC-L8650CDW	FOR CHN/RUS	
4	LT2764001	1	LOWP-VOLTAGE POWER SUPPLY PCB UNIT	MFC-L8850CDW	FOR GER/UK/CHE/ITA/IBR/ARG/ CHL/ASA/GUL/FRA/BEL/NLD/ ARL/NZ/PND/CEE/ITA CONSIP	
4	LT2763001	1	LOWP-VOLTAGE POWER SUPPLY PCB UNIT	MFC-L8850CDW	FOR US/CAN/TWN/US_FS	
4	LT3250001	1	LOWP-VOLTAGE POWER SUPPLY PCB UNIT	MFC-L8850CDW	FOR BRZ	
4	LT2764001	1	LOWP-VOLTAGE POWER SUPPLY PCB UNIT	MFC-L9550CDW	FOR GER/UK/CHE/ITA/IBR/ASA/ FRA/BEL/NLD/ARL/NZ/PND/CEE	
4	LT2763001	1	LOWP-VOLTAGE POWER SUPPLY PCB UNIT	MFC-L9550CDW	FOR US/CAN	
4	LT3083001	1	LOWP-VOLTAGE POWER SUPPLY PCB UNIT	MFC-L9550CDW	FOR RUS	
5	LY7790001	1	HIGH-VOLTAGE POWER SUPPLY PCB UNIT			

15. ACCESSORIES



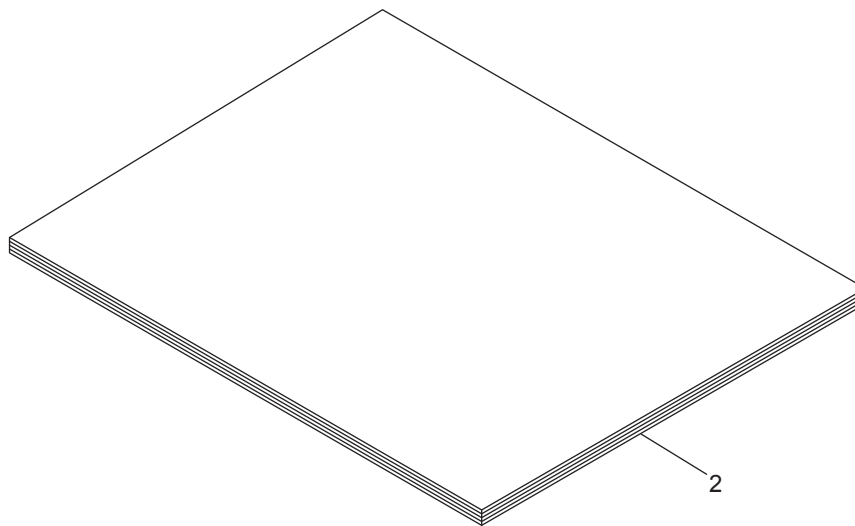
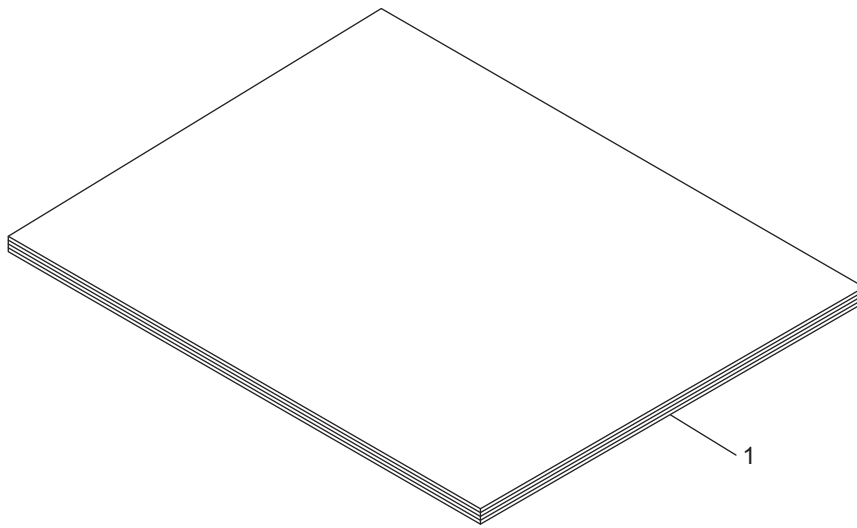
15. ACCESSORIES

REF No.	CODE	QTY	DESCRIPTION	MODEL	SPEC	REMARKS
1	LV0364001	1	AC CORD BAG ASSY LF VDE S	DCP-L8400CDN	FOR GER/ITA/IBR/FRA/BEL/NLD/ PND/CEE	
1	LV0368001	1	AC CORD BAG ASSY LF BS/PSB S	DCP-L8400CDN	FOR UK	
1	LT2259001	1	AC CORD BAG ASSY LF SEV	DCP-L8400CDN	FOR CHE	
1	LG4720001	1	AC CORD BAG ASSY LF DEMKO	DCP-L8400CDN	FOR PND	
1	LV1093001	1	AC CORD BAG ASSY LF CHN S/BRO	DCP-L8400CDN	FOR CHN	
1	LV1465001	1	AC CORD BAG ASSY LF INMETRO	DCP-L8400CDN	FOR BRZ	
1	LV0364001	1	AC CORD BAG ASSY LF VDE S	DCP-L8450CDW	FOR GER/ITA/IBR/FRA/BEL/NLD/ PND/CEE/ITA CONSIP	
1	LV0368001	1	AC CORD BAG ASSY LF BS/PSB S	DCP-L8450CDW	FOR UK	
1	LT2259001	1	AC CORD BAG ASSY LF SEV	DCP-L8450CDW	FOR CHE	
1	LG4720001	1	AC CORD BAG ASSY LF DEMKO	DCP-L8450CDW	FOR PND	
1	LM9362001	1	AC CORD BAG ASSY LF UL/CSA 13A	MFC-L8600CDW	FOR US/CAN/US FS	
1	LV0364001	1	AC CORD BAG ASSY LF VDE S	MFC-L8600CDW	FOR GUL	
1	LV0368001	1	AC CORD BAG ASSY LF BS/PSB S	MFC-L8600CDW	FOR GUL	
1	LG6404001	1	AC CORD BAG ASSY LF SAF	MFC-L8600CDW	FOR GUL	
1	LV0366001	1	AC CORD BAG ASSY LF SAA S	MFC-L8600CDW	FOR ARL/NZ	
1	LT1833001	1	AC CORD BAG ASSY LF TWN	MFC-L8600CDW	FOR TWN	
1	LV1465001	1	AC CORD BAG ASSY LF INMETRO	MFC-L8600CDW	FOR BRZ	
1	LV1520001	1	AC CORD BAG ASSY LF KOR S	MFC-L8600CDW	FOR KOR	CHG
1	LV0364001	1	AC CORD BAG ASSY LF VDE S	MFC-L8650CDW	FOR GER/ITA/IBR/RUS/ FRA/BEL/NLD/PND/CEE	
1	LV0368001	1	AC CORD BAG ASSY LF BS/PSB S	MFC-L8650CDW	FOR UK	
1	LT2259001	1	AC CORD BAG ASSY LF SEV	MFC-L8650CDW	FOR CHE	
1	LG4720001	1	AC CORD BAG ASSY LF DEMKO	MFC-L8650CDW	FOR PND	
1	LV1093001	1	AC CORD BAG ASSY LF CHN S/BRO	MFC-L8650CDW	FOR CHN	
1	LV0364001	1	AC CORD BAG ASSY LF VDE S	MFC-L8850CDW	FOR GER/ITA/IBR/ASA/GUL/ FRA/BEL/NLD/PND/CEE/ITA CONSIP	
1	LM9362001	1	AC CORD BAG ASSY LF UL/CSA 13A	MFC-L8850CDW	FOR US/CAN/US FS	
1	LV0368001	1	AC CORD BAG ASSY LF BS/PSB S	MFC-L8850CDW	FOR UK/ASA/GUL	
1	LT0925001	1	AC CORD BAG ASSY LF IRAM	MFC-L8850CDW	FOR ARG	
1	LV1465001	1	AC CORD BAG ASSY LF INMETRO	MFC-L8850CDW	FOR BRZ	chg
1	LG6207001	1	AC CORD BAG ASSY LF CHILE	MFC-L8850CDW	FOR CHL	
1	LT2259001	1	AC CORD BAG ASSY LF SEV	MFC-L8850CDW	FOR CHE	
1	LV0388001	1	AC CORD BAG ASSY LF PERU	MFC-L8850CDW	FOR CHL	add
1	LG6404001	1	AC CORD BAG ASSY LF SAF	MFC-L8850CDW	FOR GUL	
1	LV0366001	1	AC CORD BAG ASSY LF SAA S	MFC-L8850CDW	FOR ARL/NZ	
1	LG4720001	1	AC CORD BAG ASSY LF DEMKO	MFC-L8850CDW	FOR PND	
1	LT1833001	1	AC CORD BAG ASSY LF TWN	MFC-L8850CDW	FOR TWN	
1	LV0364001	1	AC CORD BAG ASSY LF VDE S	MFC-L9550CDW	FOR GER/ITA/IBR/ASA/RUS/ FRA/BEL/NLD/PND/CEE	
1	LM9362001	1	AC CORD BAG ASSY LF UL/CSA 13A	MFC-L9550CDW	FOR US/CAN	
1	LV0368001	1	AC CORD BAG ASSY LF BS/PSB S	MFC-L9550CDW	FOR UK/ASA	
1	LT2259001	1	AC CORD BAG ASSY LF SEV	MFC-L9550CDW	FOR CHE	
1	LG4720001	1	AC CORD BAG ASSY LF DEMKO	MFC-L9550CDW	FOR PND	
1	LV0366001	1	AC CORD BAG ASSY LF SAA S	MFC-L9550CDW	FOR ARL/NZ	
2	LG3077001	1	TELEPHONE LINE CORD CSA	MFC-L8600CDW	FOR US/CAN/TWN/GUL/BRZ/KOR/US_FS	
2	LT3878001	1	TELEPHONE LINE CORD KOR	MFC-L8600CDW	FOR KOR	add
2	LT3317001	1	TELEPHONE LINE CORD CSA2	MFC-L8600CDW	FOR ARL/NZ	
2	LG3077001	1	TELEPHONE LINE CORD CSA	MFC-L8650CDW	FOR UK/CHN/RUS/FRA/BEL/NLD/CEE	
2	UG3625001	1	TELEPHONE LINE CORD GER	MFC-L8650CDW	FOR GER	
2	UG4205001	1	TELEPHONE LINE CORD AUS	MFC-L8650CDW	FOR GER	
2	UG3626001	1	TELEPHONE LINE CORD UK6P	MFC-L8650CDW	FOR UK	
2	LG7202001	1	TELEPHONE LINE CORD SWI	MFC-L8650CDW	FOR CHE	
2	LT2144001	1	TELEPHONE LINE CORD ITA	MFC-L8650CDW	FOR ITA/IBR	
2	UG1575001	1	TELEPHONE LINE CORD BEL	MFC-L8650CDW	FOR FRA/BEL/NLD	
2	UG3627001	1	TELEPHONE LINE CORD FRA	MFC-L8650CDW	FOR FRA/BEL/NLD	
2	UG1574001	1	TELEPHONE LINE CORD 4P	MFC-L8650CDW	FOR FRA/BEL/NLD	
2	LG5827001	1	TELEPHONE LINE CORD RJ45	MFC-L8650CDW	FOR PND	
2	LG3077001	1	TELEPHONE LINE CORD CSA	MFC-L8850CDW	FOR US/CAN/UK/TWN/ARG/ CHL/ASA/GUL/BRZ/US_FS/ FRA/BEL/NLD/CEE	
2	UG3625001	1	TELEPHONE LINE CORD GER	MFC-L8850CDW	FOR GER	
2	UG4205001	1	TELEPHONE LINE CORD AUS	MFC-L8850CDW	FOR GER	
2	UG3626001	1	TELEPHONE LINE CORD UK6P	MFC-L8850CDW	FOR UK	
2	LG7202001	1	TELEPHONE LINE CORD SWI	MFC-L8850CDW	FOR CHE	
2	LT2144001	1	TELEPHONE LINE CORD ITA	MFC-L8850CDW	FOR ITA/IBR/ITA CONSIP	
2	UG1575001	1	TELEPHONE LINE CORD BEL	MFC-L8850CDW	FOR FRA/BEL/NLD	
2	UG3627001	1	TELEPHONE LINE CORD FRA	MFC-L8850CDW	FOR FRA/BEL/NLD	
2	UG1574001	1	TELEPHONE LINE CORD 4P	MFC-L8850CDW	FOR FRA/BEL/NLD	
2	LT3317001	1	TELEPHONE LINE CORD CSA2	MFC-L8850CDW	FOR ARL/NZ	
2	UG3290001	1	TELEPHONE LINE CORD NZ	MFC-L8850CDW	FOR ARL/NZ	
2	LG5827001	1	TELEPHONE LINE CORD RJ45	MFC-L8850CDW	FOR PND	
2	LG3077001	1	TELEPHONE LINE CORD CSA	MFC-L9550CDW	FOR US/CAN/UK/ASA/RUS/ FRA/BEL/NLD/CEE	
2	UG3625001	1	TELEPHONE LINE CORD GER	MFC-L9550CDW	FOR GER	
2	UG4205001	1	TELEPHONE LINE CORD AUS	MFC-L9550CDW	FOR GER	
2	UG3626001	1	TELEPHONE LINE CORD UK6P	MFC-L9550CDW	FOR UK	

15. ACCESSORIES

REF No.	CODE	Q'T Y	DESCRIPTION	MODEL	SPEC	REMARKS
2	LG7202001	1	TELEPHONE LINE CORD SWI	MFC-L9550CDW	FOR CHE	
2	LT2144001	1	TELEPHONE LINE CORD ITA	MFC-L9550CDW	FOR ITA/IBR	
2	UG1575001	1	TELEPHONE LINE CORD BEL	MFC-L9550CDW	FOR FRA/BEL/NLD	
2	UG3627001	1	TELEPHONE LINE CORD FRA	MFC-L9550CDW	FOR FRA/BEL/NLD	
2	UG1574001	1	TELEPHONE LINE CORD 4P	MFC-L9550CDW	FOR FRA/BEL/NLD	
2	LG5827001	1	TELEPHONE LINE CORD RJ45	MFC-L9550CDW	FOR PND	
2	LT3317001	1	TELEPHONE LINE CORD CSA2	MFC-L9550CDW	FOR ARL/NZ	
2	UG3290001	1	TELEPHONE LINE CORD NZ	MFC-L9550CDW	FOR ARL/NZ	
3	LEN043001	1	CDROM ASSY	DCP-L8400CDN	FOR GER/UK/CHE/FRA/BEL/NLD	
3	LEN132001	1	CDROM ASSY	DCP-L8400CDN	FOR ITA/IBR	
3	LEN045001	1	CDROM ASSY	DCP-L8400CDN	FOR PND	
3	LEN048001	1	CDROM ASSY	DCP-L8400CDN	FOR CEE	
3	LEN051001	1	CDROM ASSY	DCP-L8400CDN	FOR CHN	
3	LEN059001	1	CDROM ASSY	DCP-L8400CDN	FOR BRZ	
3	LEN043001	1	CDROM ASSY	DCP-L8450CDW	FOR GER/UK/CHE/FRA/BEL/NLD	
3	LEN132001	1	CDROM ASSY	DCP-L8450CDW	FOR ITA/IBR/ITA CONSIP	
3	LEN045001	1	CDROM ASSY	DCP-L8450CDW	FOR PND	
3	LEN048001	1	CDROM ASSY	DCP-L8450CDW	FOR CEE	
3	LEN040001	1	CDROM ASSY	MFC-L8600CDW	FOR US/US FS	
3	LEN041001	1	CDROM ASSY	MFC-L8600CDW	FOR CAN/BRZ	
3	LEN055001	1	CDROM ASSY	MFC-L8600CDW	FOR GUL/ARL/NZ	
3	LEN052001	1	CDROM ASSY	MFC-L8600CDW	FOR TWN/KOR	
3	LEN044001	1	CDROM ASSY	MFC-L8650CDW	FOR GER/UK/CHE/FRA/BEL/NLD	
3	LEN133001	1	CDROM ASSY	MFC-L8650CDW	FOR ITA/IBR	
3	LEN047001	1	CDROM ASSY	MFC-L8650CDW	FOR RUS	
3	LEN046001	1	CDROM ASSY	MFC-L8650CDW	FOR PND	
3	LEN049001	1	CDROM ASSY	MFC-L8650CDW	FOR CEE	
3	LEN051001	1	CDROM ASSY	MFC-L8650CDW	FOR CHN	
3	LEN040001	1	CDROM ASSY	MFC-L8850CDW	FOR US/US FS	
3	LEN041001	1	CDROM ASSY	MFC-L8850CDW	FOR CAN/ARG/CHL/BRZ	
3	LEN044001	1	CDROM ASSY	MFC-L8850CDW	FOR GER/UK/CHE/FRA/BEL/NLD	
3	LEN133001	1	CDROM ASSY	MFC-L8850CDW	FOR ITA/IBR/ITA CONSIP	
3	LEN054001	1	CDROM ASSY	MFC-L8850CDW	FOR ASA	
3	LEN055001	1	CDROM ASSY	MFC-L8850CDW	FOR GUL/ARL/NZ	
3	LEN046001	1	CDROM ASSY	MFC-L8850CDW	FOR PND	
3	LEN049001	1	CDROM ASSY	MFC-L8850CDW	FOR CEE	
3	LEN052001	1	CDROM ASSY	MFC-L8850CDW	FOR TWN	
3	LEN040001	1	CDROM ASSY	MFC-L9550CDW	FOR US	
3	LEN041001	1	CDROM ASSY	MFC-L9550CDW	FOR CAN	
3	LEN044001	1	CDROM ASSY	MFC-L9550CDW	FOR GER/UK/CHE/FRA/BEL/NLD	
3	LEN133001	1	CDROM ASSY	MFC-L9550CDW	FOR ITA/IBR	
3	LEN047001	1	CDROM ASSY	MFC-L9550CDW	FOR RUS	
3	LEN046001	1	CDROM ASSY	MFC-L9550CDW	FOR PND	
3	LEN049001	1	CDROM ASSY	MFC-L9550CDW	FOR CEE	
3	LEN055001	1	CDROM ASSY	MFC-L9550CDW	FOR ARL/NZ	
3	LEN054001	1	CDROM ASSY	MFC-L9550CDW	FOR ASA	
4	XA9940051	1	TOUCH PEN			
5	LJ9803001	1	USB CABLE 2.0		FOR US/CAN/GER/UK/CHE/ITA/ CHN/PHL/TWN/ARG/IRN/CHL/ASA/ GUL/BRA/IND/RUS/FRA/BEL/NLD/ OCE/PND/IBR/CEE/ITA CONSIP FOR KOR	
5	LV1518001	1	USB CABLE 2.0 KOR			add
6	LU6915001	1	DRM CLN SHEET KIT (SP)			
(7)	LG6573001	1	TELEPHONE PLUG ARL	MFC-L8600CDW	FOR ARL/NZ	
(7)	LG5828001	1	TELEPHONE PLUG DEN	MFC-L8650CDW	FOR PND	
(7)	LG5829001	1	TELEPHONE PLUG FIN	MFC-L8650CDW	FOR PND	
(7)	LG5830001	1	TELEPHONE PLUG SWE	MFC-L8650CDW	FOR PND	
(7)	LG6573001	1	TELEPHONE PLUG ARL	MFC-L8850CDW	FOR ARL/NZ	
(7)	LG5828001	1	TELEPHONE PLUG DEN	MFC-L8850CDW	FOR PND	
(7)	LG5829001	1	TELEPHONE PLUG FIN	MFC-L8850CDW	FOR PND	
(7)	LG5830001	1	TELEPHONE PLUG SWE	MFC-L8850CDW	FOR PND	
(7)	LG5828001	1	TELEPHONE PLUG DEN	MFC-L9550CDW	FOR PND	
(7)	LG5829001	1	TELEPHONE PLUG FIN	MFC-L9550CDW	FOR PND	
(7)	LG5830001	1	TELEPHONE PLUG SWE	MFC-L9550CDW	FOR PND	
(7)	LG6573001	1	TELEPHONE PLUG ARL	MFC-L9550CDW	FOR ARL/NZ	
(7)	UG1573000	1	TELEPHONE PLUG BEL	MFC-L8650CDW	FOR FRA/BEL/NLD	
(7)	UG1573000	1	TELEPHONE PLUG BEL	MFC-L8850CDW	FOR FRA/BEL/NLD	
(7)	UG1573000	1	TELEPHONE PLUG BEL	MFC-L9550CDW	FOR FRA/BEL/NLD	

16. PRINTED MATERIALS



16. PRINTED MATERIALS

REF No.	CODE	Q'TY	DESCRIPTION	MODEL	SPEC	REMARKS
1	LEN137001	1	USER'S GUIDE (ENGLISH)	MFC-L8600CDW	FOR US/CAN/US_FS	
1	LEN137001	1	USER'S GUIDE (ENGLISH)	MFC-L8850CDW	FOR US/CAN/US_FS	
1	LEN137001	1	USER'S GUIDE (ENGLISH)	MFC-L9550CDW	FOR US/CAN	
1	LEN137002	1	USER'S GUIDE (FRENCH)	MFC-L8600CDW	FOR CAN	
1	LEN137002	1	USER'S GUIDE (FRENCH)	MFC-L8850CDW	FOR CAN	
1	LEN137002	1	USER'S GUIDE (FRENCH)	MFC-L9550CDW	FOR CAN	
1	LEN137031	1	USER'S GUIDE (SPANISH)	MFC-L8850CDW	FOR ARG/CHL	
1	LEN139042	1	USER'S GUIDE (POLTUGUESE)	DCP-L8400CDN	FOR BRZ	
1	LEN137042	1	USER'S GUIDE (POLTUGUESE)	MFC-L8850CDW	FOR BRZ	
1	LEN137042	1	USER'S GUIDE (POLTUGUESE)	MFC-L8600CDW	FOR BRZ	
1	LEN140003	1	USER'S GUIDE (GERMAN)	MFC-L8650CDW	FOR GER/CHE	
1	LEN140003	1	USER'S GUIDE (GERMAN)	MFC-L8850CDW	FOR GER/CHE	
1	LEN140003	1	USER'S GUIDE (GERMAN)	MFC-L9550CDW	FOR GER/CHE	
1	LEN140004	1	USER'S GUIDE (ENGLISH)	MFC-L8650CDW	FOR UK	
1	LEN140004	1	USER'S GUIDE (ENGLISH)	MFC-L8850CDW	FOR UK	
1	LEN140004	1	USER'S GUIDE (ENGLISH)	MFC-L9550CDW	FOR UK	
1	LEN140005	1	USER'S GUIDE (FRENCH)	MFC-L8650CDW	FOR CHE/FRA/BEL/NLD	
1	LEN140005	1	USER'S GUIDE (FRENCH)	MFC-L8850CDW	FOR CHE/FRA/BEL/NLD	
1	LEN140005	1	USER'S GUIDE (FRENCH)	MFC-L9550CDW	FOR CHE/FRA/BEL/NLD	
1	LEN140009	1	USER'S GUIDE (DUTCH)	MFC-L8650CDW	FOR FRA/BEL/NLD	
1	LEN140009	1	USER'S GUIDE (DUTCH)	MFC-L8850CDW	FOR FRA/BEL/NLD	
1	LEN140009	1	USER'S GUIDE (DUTCH)	MFC-L9550CDW	FOR FRA/BEL/NLD	
1	LEN140016	1	USER'S GUIDE (ITALIAN)	MFC-L8650CDW	FOR ITA/IBR	
1	LEN140016	1	USER'S GUIDE (ITALIAN)	MFC-L8850CDW	FOR ITA/IBR/ITA CONSIP	
1	LEN140016	1	USER'S GUIDE (ITALIAN)	MFC-L9550CDW	FOR ITA/IBR	
1	LEN140048	1	USER'S GUIDE (RUSSIAN)	MFC-L8650CDW	FOR RUS	
1	LEN140048	1	USER'S GUIDE (RUSSIAN)	MFC-L9550CDW	FOR RUS	
1	LEN142025	1	USER'S GUIDE (TURKISH)	MFC-L8600CDW	FOR GUL	
1	LEN142025	1	USER'S GUIDE (TURKISH)	MFC-L8850CDW	FOR GUL	
1	LEN142041	1	USER'S GUIDE (ENGLISH)	MFC-L8600CDW	FOR GUL	
1	LEN142041	1	USER'S GUIDE (ENGLISH)	MFC-L8850CDW	FOR GUL	
1	LEN144030	1	USER'S GUIDE (THAI)	MFC-L8850CDW	FOR ASA	
1	LEN144030	1	USER'S GUIDE (THAI)	MFC-L9550CDW	FOR ASA	
1	LEN214007	1	USER'S GUIDE (NORWEGIAN/SWEDISH)	MFC-L8650CDW	FOR PND	
1	LEN214007	1	USER'S GUIDE (NORWEGIAN/SWEDISH)	MFC-L8850CDW	FOR PND	
1	LEN214007	1	USER'S GUIDE (NORWEGIAN/SWEDISH)	MFC-L9550CDW	FOR PND	
1	LEN214013	1	USER'S GUIDE (DANISH/FINNISH)	MFC-L8650CDW	FOR PND	
1	LEN214013	1	USER'S GUIDE (DANISH/FINNISH)	MFC-L8850CDW	FOR PND	
1	LEN214013	1	USER'S GUIDE (DANISH/FINNISH)	MFC-L9550CDW	FOR PND	
1	LEN214015	1	USER'S GUIDE (SPANISH)	MFC-L8650CDW	FOR ITA/IBR	
1	LEN214015	1	USER'S GUIDE (SPANISH)	MFC-L8850CDW	FOR ITA/IBR	
1	LEN214015	1	USER'S GUIDE (SPANISH)	MFC-L9550CDW	FOR ITA/IBR	
1	LEN287040	1	USER'S GUIDE (ENGLISH)	MFC-L8600CDW	FOR ARL/NZ	
1	LEN287040	1	USER'S GUIDE (ENGLISH)	MFC-L8850CDW	FOR ASA/ARL/NZ	
1	LEN287040	1	USER'S GUIDE (ENGLISH)	MFC-L9550CDW	FOR ASA/ARL/NZ	
1	LEN295032	1	USER'S GUIDE (ARABIC)	MFC-L8600CDW	FOR GUL	
1	LEN295032	1	USER'S GUIDE (ARABIC)	MFC-L8850CDW	FOR GUL	
1	LEN150020	1	USER'S GUIDE (CHINESE)	DCP-L8400CDN	FOR CHN	
1	LEN146020	1	USER'S GUIDE (CHINESE)	MFC-L8650CDW	FOR CHN	
1	LEN142023	1	USER'S GUIDE (CHINESE)	MFC-L8600CDW	FOR TWN	
1	LEN142023	1	USER'S GUIDE (CHINESE)	MFC-L8850CDW	FOR TWN	
1	LEN142044	1	USER'S GUIDE (KOREAN)	MFC-L8600CDW	FOR KOR	
2	LEN138001	1	QUICK SETUP GUIDE (ENGLISH)	MFC-L8600CDW	FOR US/CAN/US_FS	
2	LEN138001	1	QUICK SETUP GUIDE (ENGLISH)	MFC-L8850CDW	FOR US/CAN/US_FS	
2	LEN138001	1	QUICK SETUP GUIDE (ENGLISH)	MFC-L9550CDW	FOR US/CAN	
2	LEN138002	1	QUICK SETUP GUIDE (FRENCH)	MFC-L8600CDW	FOR CAN	
2	LEN138002	1	QUICK SETUP GUIDE (FRENCH)	MFC-L8850CDW	FOR CAN	
2	LEN138002	1	QUICK SETUP GUIDE (FRENCH)	MFC-L9550CDW	FOR CAN	
2	LEN138031	1	QUICK SETUP GUIDE (SPANISH)	MFC-L8850CDW	FOR ARG/CHL	
2	LEN138042	1	QUICK SETUP GUIDE	DCP-L8400CDN	FOR BRZ	
2	LEN138042	1	QUICK SETUP GUIDE	MFC-L8850CDW	FOR BRZ	
2	LEN138042	1	QUICK SETUP GUIDE	MFC-L8600CDW	FOR BRZ	
2	LEN141003	1	QUICK SETUP GUIDE (GERMAN)	DCP-L8400CDN	FOR GER/CHE	
2	LEN141003	1	QUICK SETUP GUIDE (GERMAN)	DCP-L8450CDW	FOR GER/CHE	
2	LEN141003	1	QUICK SETUP GUIDE (GERMAN)	MFC-L8650CDW	FOR GER/CHE	
2	LEN141003	1	QUICK SETUP GUIDE (GERMAN)	MFC-L8850CDW	FOR GER/CHE	
2	LEN141003	1	QUICK SETUP GUIDE (GERMAN)	MFC-L9550CDW	FOR GER/CHE	
2	LEN141004	1	QUICK SETUP GUIDE (ENGLISH)	DCP-L8400CDN	FOR UK/CEE	
2	LEN141004	1	QUICK SETUP GUIDE (ENGLISH)	DCP-L8450CDW	FOR UK/CEE	

16. PRINTED MATERIALS

REF No.	CODE	QTY	DESCRIPTION	MODEL	SPEC	REMARKS
2	LEN141004	1	QUICK SETUP GUIDE (ENGLISH)	MFC-L8650CDW	FOR UK/CEE	
2	LEN141004	1	QUICK SETUP GUIDE (ENGLISH)	MFC-L8850CDW	FOR UK/CEE	
2	LEN141004	1	QUICK SETUP GUIDE (ENGLISH)	MFC-L9550CDW	FOR UK/CEE	
2	LEN141005	1	QUICK SETUP GUIDE (FRENCH)	DCP-L8400CDN	FOR CHE/FRA/BEL/NLD	
2	LEN141005	1	QUICK SETUP GUIDE (FRENCH)	DCP-L8450CDW	FOR CHE/FRA/BEL/NLD	
2	LEN141005	1	QUICK SETUP GUIDE (FRENCH)	MFC-L8650CDW	FOR CHE/FRA/BEL/NLD	
2	LEN141005	1	QUICK SETUP GUIDE (FRENCH)	MFC-L8850CDW	FOR CHE/FRA/BEL/NLD	
2	LEN141005	1	QUICK SETUP GUIDE (FRENCH)	MFC-L9550CDW	FOR CHE/FRA/BEL/NLD	
2	LEN141007	1	QUICK SETUP GUIDE (NORWEGIAN)	DCP-L8400CDN	FOR PND	
2	LEN141007	1	QUICK SETUP GUIDE (NORWEGIAN)	DCP-L8450CDW	FOR PND	
2	LEN141007	1	QUICK SETUP GUIDE (NORWEGIAN)	MFC-L8650CDW	FOR PND	
2	LEN141007	1	QUICK SETUP GUIDE (NORWEGIAN)	MFC-L8850CDW	FOR PND	
2	LEN141007	1	QUICK SETUP GUIDE (NORWEGIAN)	MFC-L9550CDW	FOR PND	
2	LEN141009	1	QUICK SETUP GUIDE (DUTCH)	DCP-L8400CDN	FOR FRA/BEL/NLD	
2	LEN141009	1	QUICK SETUP GUIDE (DUTCH)	DCP-L8450CDW	FOR FRA/BEL/NLD	
2	LEN141009	1	QUICK SETUP GUIDE (DUTCH)	MFC-L8650CDW	FOR FRA/BEL/NLD	
2	LEN141009	1	QUICK SETUP GUIDE (DUTCH)	MFC-L8850CDW	FOR FRA/BEL/NLD	
2	LEN141009	1	QUICK SETUP GUIDE (DUTCH)	MFC-L9550CDW	FOR FRA/BEL/NLD	
2	LEN141012	1	QUICK SETUP GUIDE (FINNISH)	DCP-L8400CDN	FOR PND	
2	LEN141012	1	QUICK SETUP GUIDE (FINNISH)	DCP-L8450CDW	FOR PND	
2	LEN141012	1	QUICK SETUP GUIDE (FINNISH)	MFC-L8650CDW	FOR PND	
2	LEN141012	1	QUICK SETUP GUIDE (FINNISH)	MFC-L8850CDW	FOR PND	
2	LEN141012	1	QUICK SETUP GUIDE (FINNISH)	MFC-L9550CDW	FOR PND	
2	LEN141013	1	QUICK SETUP GUIDE (DANISH)	DCP-L8400CDN	FOR PND	
2	LEN141013	1	QUICK SETUP GUIDE (DANISH)	DCP-L8450CDW	FOR PND	
2	LEN141013	1	QUICK SETUP GUIDE (DANISH)	MFC-L8650CDW	FOR PND	
2	LEN141013	1	QUICK SETUP GUIDE (DANISH)	MFC-L8850CDW	FOR PND	
2	LEN141013	1	QUICK SETUP GUIDE (DANISH)	MFC-L9550CDW	FOR PND	
2	LEN141015	1	QUICK SETUP GUIDE (SPANISH)	DCP-L8400CDN	FOR ITA/IBR	
2	LEN141015	1	QUICK SETUP GUIDE (SPANISH)	DCP-L8450CDW	FOR ITA/IBR	
2	LEN141015	1	QUICK SETUP GUIDE (SPANISH)	MFC-L8650CDW	FOR ITA/IBR	
2	LEN141015	1	QUICK SETUP GUIDE (SPANISH)	MFC-L8850CDW	FOR ITA/IBR	
2	LEN141015	1	QUICK SETUP GUIDE (SPANISH)	MFC-L9550CDW	FOR ITA/IBR	
2	LEN141016	1	QUICK SETUP GUIDE (ITALIAN)	DCP-L8400CDN	FOR CHE/ITA/IBR	
2	LEN141016	1	QUICK SETUP GUIDE (ITALIAN)	DCP-L8450CDW	FOR CHE/ITA/IBR/ITA CONSIP	
2	LEN141016	1	QUICK SETUP GUIDE (ITALIAN)	MFC-L8650CDW	FOR CHE/ITA/IBR	
2	LEN141016	1	QUICK SETUP GUIDE (ITALIAN)	MFC-L8850CDW	FOR CHE/ITA/IBR/ITA CONSIP	
2	LEN141016	1	QUICK SETUP GUIDE (ITALIAN)	MFC-L9550CDW	FOR CHE/ITA/IBR	
2	LEN141018	1	QUICK SETUP GUIDE	DCP-L8400CDN	FOR ITA/IBR	
2	LEN141018	1	QUICK SETUP GUIDE	DCP-L8450CDW	FOR ITA/IBR	
2	LEN141018	1	QUICK SETUP GUIDE	MFC-L8650CDW	FOR ITA/IBR	
2	LEN141018	1	QUICK SETUP GUIDE	MFC-L8850CDW	FOR ITA/IBR	
2	LEN141018	1	QUICK SETUP GUIDE	MFC-L9550CDW	FOR ITA/IBR	
2	LEN141026	1	QUICK SETUP GUIDE (SWEDISH)	DCP-L8400CDN	FOR PND	
2	LEN141026	1	QUICK SETUP GUIDE (SWEDISH)	DCP-L8450CDW	FOR PND	
2	LEN141026	1	QUICK SETUP GUIDE (SWEDISH)	MFC-L8650CDW	FOR PND	
2	LEN141026	1	QUICK SETUP GUIDE (SWEDISH)	MFC-L8850CDW	FOR PND	
2	LEN141026	1	QUICK SETUP GUIDE (SWEDISH)	MFC-L9550CDW	FOR PND	
2	LEN141033	1	QUICK SETUP GUIDE (ROMANIAN)	DCP-L8400CDN	FOR CEE	
2	LEN141033	1	QUICK SETUP GUIDE (ROMANIAN)	DCP-L8450CDW	FOR CEE	
2	LEN141033	1	QUICK SETUP GUIDE (ROMANIAN)	MFC-L8650CDW	FOR CEE	
2	LEN141033	1	QUICK SETUP GUIDE (ROMANIAN)	MFC-L8850CDW	FOR CEE	
2	LEN141033	1	QUICK SETUP GUIDE (ROMANIAN)	MFC-L9550CDW	FOR CEE	
2	LEN141034	1	QUICK SETUP GUIDE (SLOVAK)	DCP-L8400CDN	FOR CEE	
2	LEN141034	1	QUICK SETUP GUIDE (SLOVAK)	DCP-L8450CDW	FOR CEE	
2	LEN141034	1	QUICK SETUP GUIDE (SLOVAK)	MFC-L8650CDW	FOR CEE	
2	LEN141034	1	QUICK SETUP GUIDE (SLOVAK)	MFC-L8850CDW	FOR CEE	
2	LEN141034	1	QUICK SETUP GUIDE (SLOVAK)	MFC-L9550CDW	FOR CEE	
2	LEN141037	1	QUICK SETUP GUIDE (CZECH)	DCP-L8400CDN	FOR CEE	
2	LEN141037	1	QUICK SETUP GUIDE (CZECH)	DCP-L8450CDW	FOR CEE	
2	LEN141037	1	QUICK SETUP GUIDE (CZECH)	MFC-L8650CDW	FOR CEE	
2	LEN141037	1	QUICK SETUP GUIDE (CZECH)	MFC-L8850CDW	FOR CEE	
2	LEN141037	1	QUICK SETUP GUIDE (CZECH)	MFC-L9550CDW	FOR CEE	
2	LEN141038	1	QUICK SETUP GUIDE (HUNGARIAN)	DCP-L8400CDN	FOR CEE	
2	LEN141038	1	QUICK SETUP GUIDE (HUNGARIAN)	DCP-L8450CDW	FOR CEE	
2	LEN141038	1	QUICK SETUP GUIDE (HUNGARIAN)	MFC-L8650CDW	FOR CEE	
2	LEN141038	1	QUICK SETUP GUIDE (HUNGARIAN)	MFC-L8850CDW	FOR CEE	
2	LEN141038	1	QUICK SETUP GUIDE (HUNGARIAN)	MFC-L9550CDW	FOR CEE	
2	LEN141039	1	QUICK SETUP GUIDE (POLISH)	DCP-L8400CDN	FOR CEE	
2	LEN141039	1	QUICK SETUP GUIDE (POLISH)	DCP-L8450CDW	FOR CEE	
2	LEN141039	1	QUICK SETUP GUIDE (POLISH)	MFC-L8650CDW	FOR CEE	
2	LEN141039	1	QUICK SETUP GUIDE (POLISH)	MFC-L8850CDW	FOR CEE	

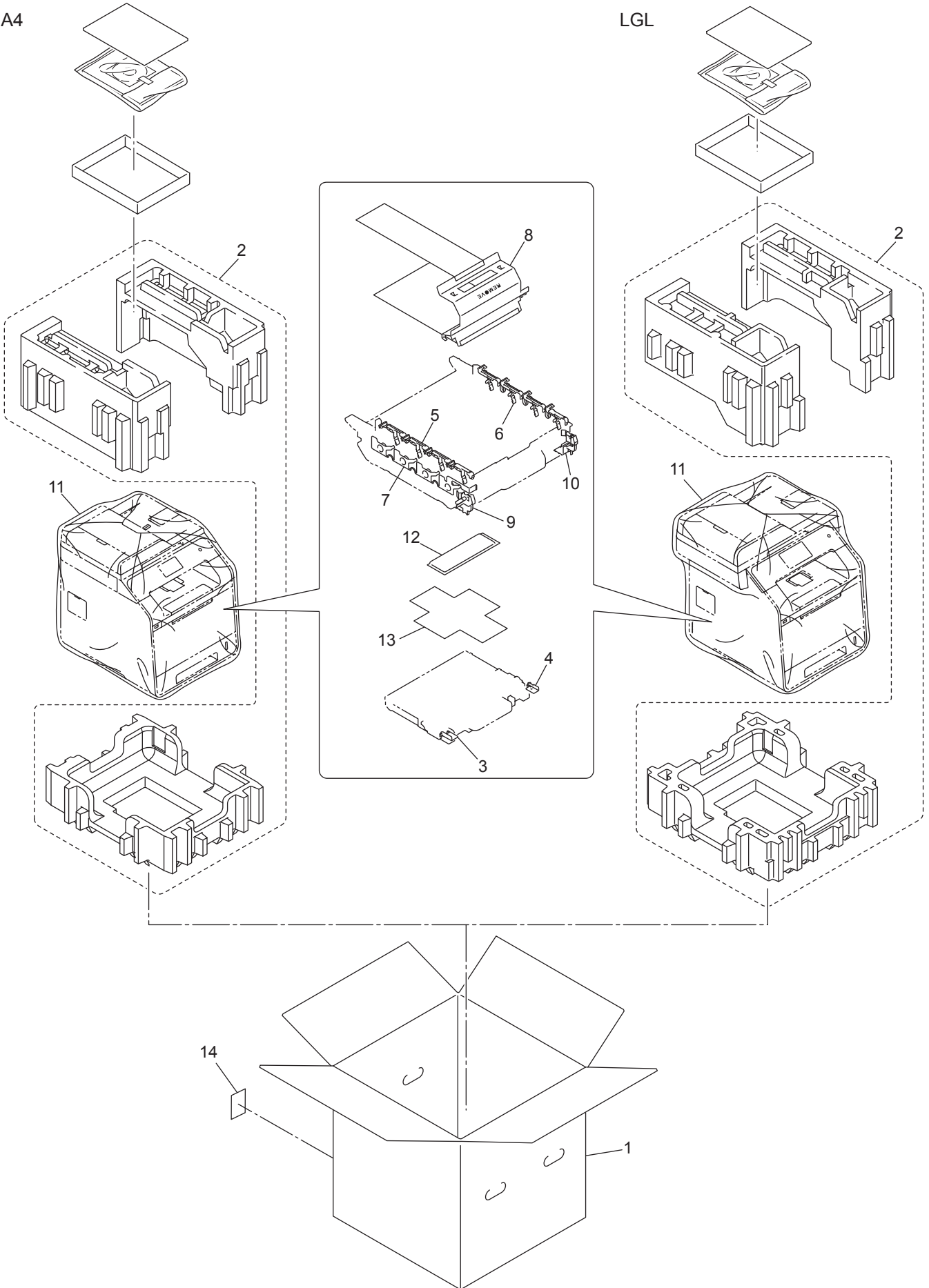
16. PRINTED MATERIALS

REF No.	CODE	Q'TY	DESCRIPTION	MODEL	SPEC	REMARKS
2	LEN141039	1	QUICK SETUP GUIDE (POLISH)	MFC-L9550CDW	FOR CEE	
2	LEN141048	1	QUICK SETUP GUIDE (RUSSIAN)	MFC-L8650CDW	FOR RUS	
2	LEN141048	1	QUICK SETUP GUIDE (RUSSIAN)	MFC-L9550CDW	FOR RUS	
2	LEN141059	1	QUICK SETUP GUIDE (BULGARIAN)	DCP-L8400CDN	FOR CEE	
2	LEN141059	1	QUICK SETUP GUIDE (BULGARIAN)	DCP-L8450CDW	FOR CEE	
2	LEN141059	1	QUICK SETUP GUIDE (BULGARIAN)	MFC-L8650CDW	FOR CEE	
2	LEN141059	1	QUICK SETUP GUIDE (BULGARIAN)	MFC-L8850CDW	FOR CEE	
2	LEN141059	1	QUICK SETUP GUIDE (BULGARIAN)	MFC-L9550CDW	FOR CEE	
2	LEN141060	1	QUICK SETUP GUIDE (BELARUSIAN)	MFC-L8650CDW	FOR RUS	
2	LEN141060	1	QUICK SETUP GUIDE (BELARUSIAN)	MFC-L9550CDW	FOR RUS	
2	LEN141061	1	QUICK SETUP GUIDE (KAZAKH)	MFC-L8650CDW	FOR RUS	
2	LEN141061	1	QUICK SETUP GUIDE (KAZAKH)	MFC-L9550CDW	FOR RUS	
2	LEN143019	1	QUICK SETUP GUIDE (VIETNAMESE)	MFC-L8850CDW	FOR ASA	
2	LEN143019	1	QUICK SETUP GUIDE (VIETNAMESE)	MFC-L9550CDW	FOR ASA	
2	LEN143025	1	QUICK SETUP GUIDE (TURKISH)	MFC-L8600CDW	FOR GUL	
2	LEN143025	1	QUICK SETUP GUIDE (TURKISH)	MFC-L8850CDW	FOR GUL	
2	LEN143029	1	QUICK SETUP GUIDE (INDNESIAN)	MFC-L8850CDW	FOR ASA	
2	LEN143029	1	QUICK SETUP GUIDE (INDNESIAN)	MFC-L9550CDW	FOR ASA	
2	LEN143032	1	QUICK SETUP GUIDE (ARABIC)	MFC-L8600CDW	FOR GUL	
2	LEN143032	1	QUICK SETUP GUIDE (ARABIC)	MFC-L8850CDW	FOR GUL	
2	LEN143041	1	QUICK SETUP GUIDE (ENGLISH)	MFC-L8600CDW	FOR GUL	
2	LEN143041	1	QUICK SETUP GUIDE (ENGLISH)	MFC-L8850CDW	FOR GUL	
2	LEN145030	1	QUICK SETUP GUIDE (THAI)	MFC-L8850CDW	FOR ASA	
2	LEN145030	1	QUICK SETUP GUIDE (THAI)	MFC-L9550CDW	FOR ASA	
2	LEN234040	1	QUICK SETUP GUIDE (ENGLISH)	MFC-L8600CDW	FOR ARL/NZ	
2	LEN234040	1	QUICK SETUP GUIDE (ENGLISH)	MFC-L8850CDW	FOR ASA/ARL/NZ	
2	LEN234040	1	QUICK SETUP GUIDE (ENGLISH)	MFC-L9550CDW	FOR ASA/ARL/NZ	
2	LEN143044	1	QUICK SETUP GUIDE (KOREAN)	MFC-L8600CDW	FOR KOR	
2	LEN143023	1	QUICK SETUP GUIDE (CHINESE)	MFC-L8600CDW	FOR TWN	
2	LEN143023	1	QUICK SETUP GUIDE (CHINESE)	MFC-L8850CDW	FOR TWN	
2	LEN147020	1	QUICK SETUP GUIDE (CHINESE)	DCP-L8400CDN	FOR CHN	
2	LEN147020	1	QUICK SETUP GUIDE (CHINESE)	MFC-L8650CDW	FOR CHN	

17. PACKING MATERIALS

A4

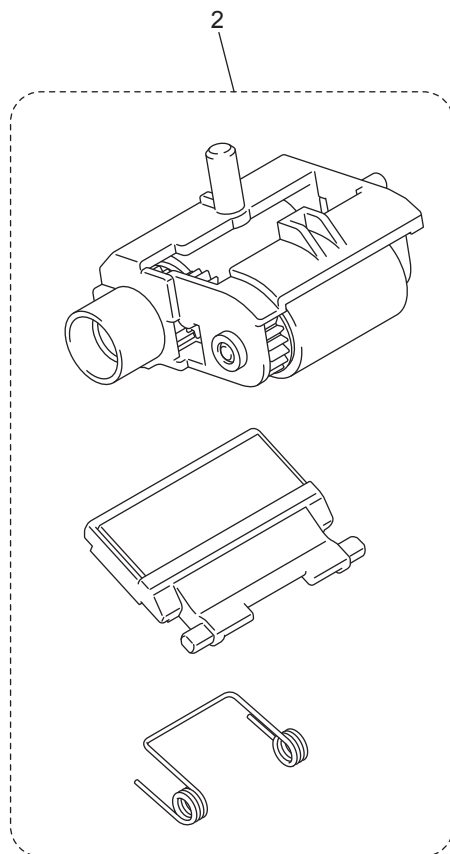
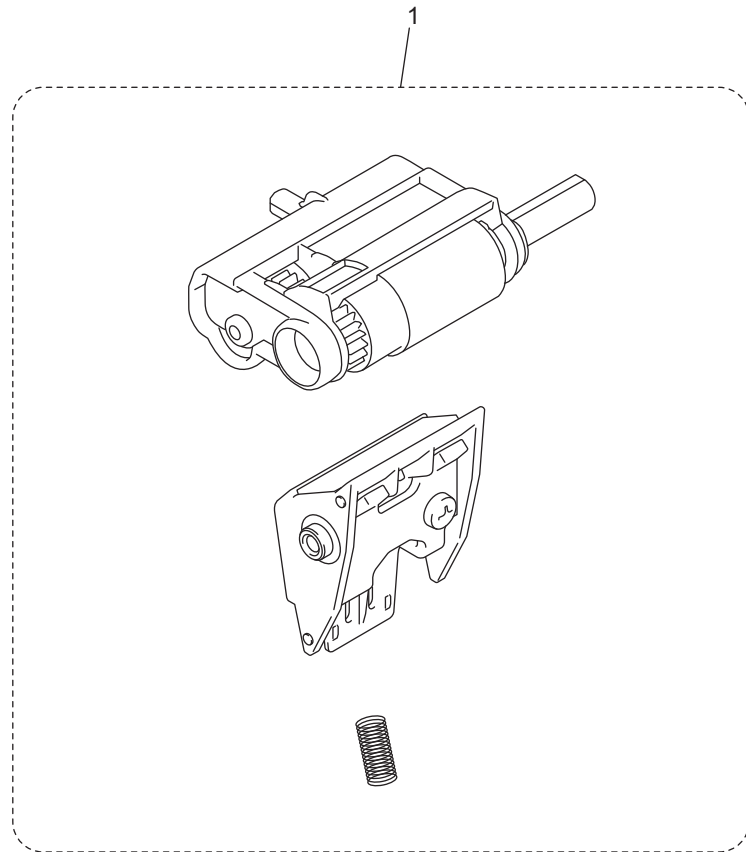
LGL



17. PACKING MATERIALS

REF No.	CODE	QTY	DESCRIPTION	MODEL	SPEC	REMARKS
1	LEN097001	1	CARTON BROTHER	DCP-L8400CDN	FOR GER/UK/CHE/ITA/IBR/ FRA/BEL/NLD/PND/CEE	
1	LEN111001	1	CARTON BROTHER	DCP-L8400CDN	FOR CHN	
1	LEN070001	1	CARTON BROTHER	DCP-L8400CDN	FOR BRZ	
1	LEN098001	1	CARTON BROTHER	DCP-L8450CDW	FOR GER/UK/CHE/ITA/IBR/ FRA/BEL/NLD/PND/CEE	
1	LEN267001	1	CARTON BROTHER	DCP-L8450CDW	FOR ITA CONSIP	
1	LEN079001	1	CARTON BROTHER	MFC-L8600CDW	FOR US/US_FS	
1	LEN083001	1	CARTON BROTHER	MFC-L8600CDW	FOR CAN	
1	LEN276001	1	CARTON BROTHER	MFC-L8600CDW	FOR GUL	
1	LEN277001	1	CARTON BROTHER	MFC-L8600CDW	FOR ARL/NZ	
1	LEN104001	1	CARTON BROTHER	MFC-L8600CDW	FOR TWN/KOR	
1	LEN085001	1	CARTON BROTHER	MFC-L8600CDW	FOR BRZ	
1	LEN099001	1	CARTON BROTHER	MFC-L8650CDW	FOR GER/UK/CHE/ITA/IBR/RUS/ FRA/BEL/NLD/PND/CEE	
1	LEN112001	1	CARTON BROTHER	MFC-L8650CDW	FOR CHN	
1	LEN071001	1	CARTON BROTHER	MFC-L8850CDW	FOR US/US_FS	
1	LEN075001	1	CARTON BROTHER	MFC-L8850CDW	FOR CAN	
1	LEN100001	1	CARTON BROTHER	MFC-L8850CDW	FOR GER/UK/CHE/ITA/IBR/ FRA/BEL/NLD/PND/CEE	
1	LEN338001	1	CARTON BROTHER	MFC-L8850CDW	FOR ITA CONSIP	
1	LEN077001	1	CARTON BROTHER	MFC-L8850CDW	FOR BRZ	
1	LEN078001	1	CARTON BROTHER	MFC-L8850CDW	FOR ARG/CHL	
1	LEN105001	1	CARTON BROTHER	MFC-L8850CDW	FOR TWN/ASA	
1	LEN108001	1	CARTON BROTHER	MFC-L8850CDW	FOR ARL/NZ	
1	LEN258001	1	CARTON BROTHER	MFC-L8850CDW	FOR GUL	
1	LEN086001	1	CARTON BROTHER	MFC-L9550CDW	FOR US/CAN	
1	LEN101001	1	CARTON BROTHER	MFC-L9550CDW	FOR GER/UK/CHE/ITA/IBR/RUS/ FRA/BEL/NLD/PND/CEE	
1	LEN106001	1	CARTON BROTHER	MFC-L9550CDW	FOR ASA	
1	LEN109001	1	CARTON BROTHER	MFC-L9550CDW	FOR ARL/NZ	
2	LEN026001	1	POLYSTYRENE PAD ASSY	DCP-L8400CDN	FOR GER/UK/CHE/ITA/IBR/BRZ/ FRA/BEL/NLD/PND/CEE	
2	LEN125001	1	POLYSTYRENE PAD ASSY	DCP-L8400CDN	FOR CHN	
2	LEN033001	1	POLYSTYRENE PAD ASSY	DCP-L8450CDW		
2	LEN026001	1	POLYSTYRENE PAD ASSY	MFC-L8600CDW		
2	LEN026001	1	POLYSTYRENE PAD ASSY	MFC-L8650CDW	FOR GER/UK/CHE/ITA/IBR/RUS/ FRA/BEL/NLD/PND/CEE	
2	LEN125001	1	POLYSTYRENE PAD ASSY	MFC-L8650CDW	FOR CHN	
2	LEN033001	1	POLYSTYRENE PAD ASSY	MFC-L8850CDW		
2	LEN033001	1	POLYSTYRENE PAD ASSY	MFC-L9550CDW		
3	LY0908001	1	CLEANER LOCK L			
4	LY0909001	1	CLEANER LOCK R			
5	LY0896001	1	DEVELOP SPACER L			
6	LY0897001	1	DEVELOP SPACER R			
7	LY0898001	1	DEVELOP STOPPER			
8	LY7999001	1	REMOVE SHEET ASSY			
9	LY0903001	1	DRM STOPPER L			
10	LU6891001	1	DRM STOPPER R			
11	LX4625001	1	BAG 1100X1200			
12	LY1679001	1	SILICA GEL	DCP-L8400CDN	FOR GER/UK/CHE/ITA/IBR/CHN/ FRA/BEL/NLD/PND/CEE	
12	LY1678001	1	SILICA GEL	DCP-L8400CDN	FOR BRZ	
12	LY1679001	1	SILICA GEL	DCP-L8450CDW		
12	LY1678001	1	SILICA GEL	MFC-L8600CDW	FOR US/CAN/BRZ/US_FS	
12	LY1679001	1	SILICA GEL	MFC-L8600CDW	FOR TWN/GUL/KOR/ARL/NZ	
12	LY1679001	1	SILICA GEL	MFC-L8650CDW		
12	LY1678001	1	SILICA GEL	MFC-L8850CDW	FOR US/CAN/ARG/CHL/BRZ/US_FS	
12	LY1679001	1	SILICA GEL	MFC-L8850CDW	FOR GER/UK/CHE/ITA/IBR/TWN/ ASA/GUL/FRA/BEL/NLD/ARL/NZ/ PND/CEE/ITA CONSIP	
12	LY1678001	1	SILICA GEL	MFC-L9550CDW	FOR US/CAN	
12	LY1679001	1	SILICA GEL	MFC-L9550CDW	FOR GER/UK/CHE/ITA/IBR/ASA/RUS/ FRA/BEL/NLD/ARL/NZ/PND/CEE	
13	LY1395001	1	SILICA GEL SHEET			
13	LR2296001	1	SILICA GEL SHEET	MFC-L8600CDW	FOR KOR	ADD
14	LEN330001	1	CHINA ENERGY LABEL	DCP-L8400CDN	FOR CHN	add
14	LEN331001	1	CHINA ENERGY LABEL	MFC-L8650CDW	FOR CHN	add

18. PERIODICAL MAINTENANCE



18. PERIODICAL MAINTENANCE PARTS

REF No.	CODE	Q'TY	DESCRIPTION	MODEL	SPEC	REMARKS
1	LU4978001	1	PAPER FEEDING KIT 1			
2	LU4979001	1	MP PAPER FEEDING KIT			