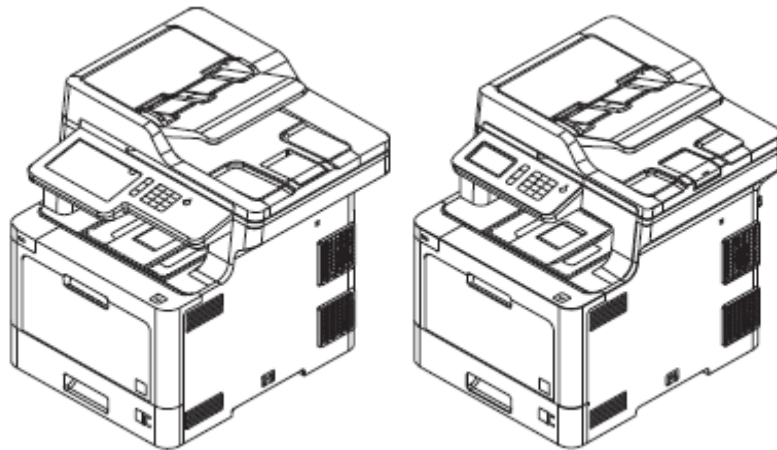




Color FAX/MFC PARTS REFERENCE LIST

**MODEL:
DCP-L8410CDW
MFC-L8610CDW/L8690CDW
MFC-L8900CDW/L9570CDW**



Read this list thoroughly before maintenance work.

Keep this list in a convenient place for quick and easy reference at all times.

February 2017
PL-FAX242
8CE8*
Ver.1

NOTE FOR USING THIS PARTS REFERENCE LIST

1. In the case of ordering parts, it is necessary to mention the following items:

- (1) Code
- (2) Q'ty
- (3) Description

<Example>

	(1)	(2)	(3)			
REFNo.	CODE	Q'TY	DESCRIPTION	MODEL	SPEC	REMARKS

2. Design-changed parts:

If any of the parts code is changed in this Parts List, one of the following symbols is indicated in the REMARKS column.

- CHG (chg): The part code is changed for a new one in this Parts List.
- ADD (add): The part code is newly added in this Parts List.
- DEL (del) : The part code is deleted in this Parts List.

Symbol in capital letters indicates the latest parts change information in the page.

- 3. Parts change will be informed by the Parts change information.
- 4. Parts are subject to change in design without prior notice.

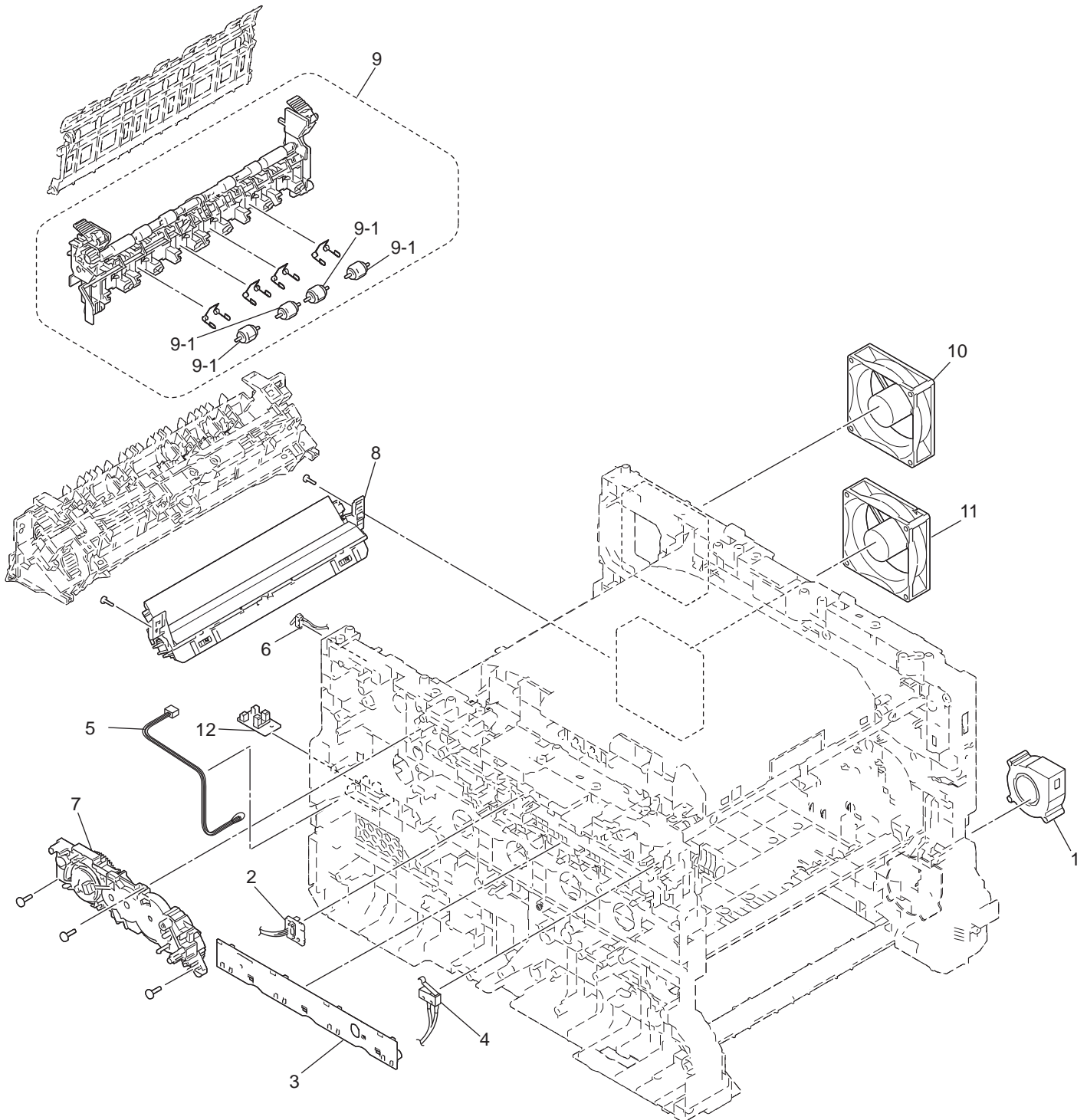
COUNTRIES & AREAS

ARG ----- ARGENTINA	ITA/IBR ----- ITALY/SPAIN/PORTUGAL
ARL ----- AUSTRALIA	KOR ----- KOREA
ARL/NZ ----- AUSTRALIA/ NEW ZEALAND	PND ----- PAN-NORDIC (NORWAY/FINLAND/DENMARK/SWEDEN)
ASA ----- ASIA (SINGAPORE/GULF)	RUS -----RUSSIA
BRZ ----- BRAZIL	rgEU ----- EU-REGIONAL
CAN ----- CANADA	SWI----- SWITZERLAND
CEE ----- CEE GENERAL	TWN ----- TAIWAN
CHL ----- CHILE	UK ----- UNITED KINGDOM
CHN ----- CHINA	USA ----- U.S.A.
FRA/BEL/HOL ----- FRANCE/BELGIUM/NETHERLANDS	
GER ----- GERMANY	
GULF ----- GULF	

CONTENTS

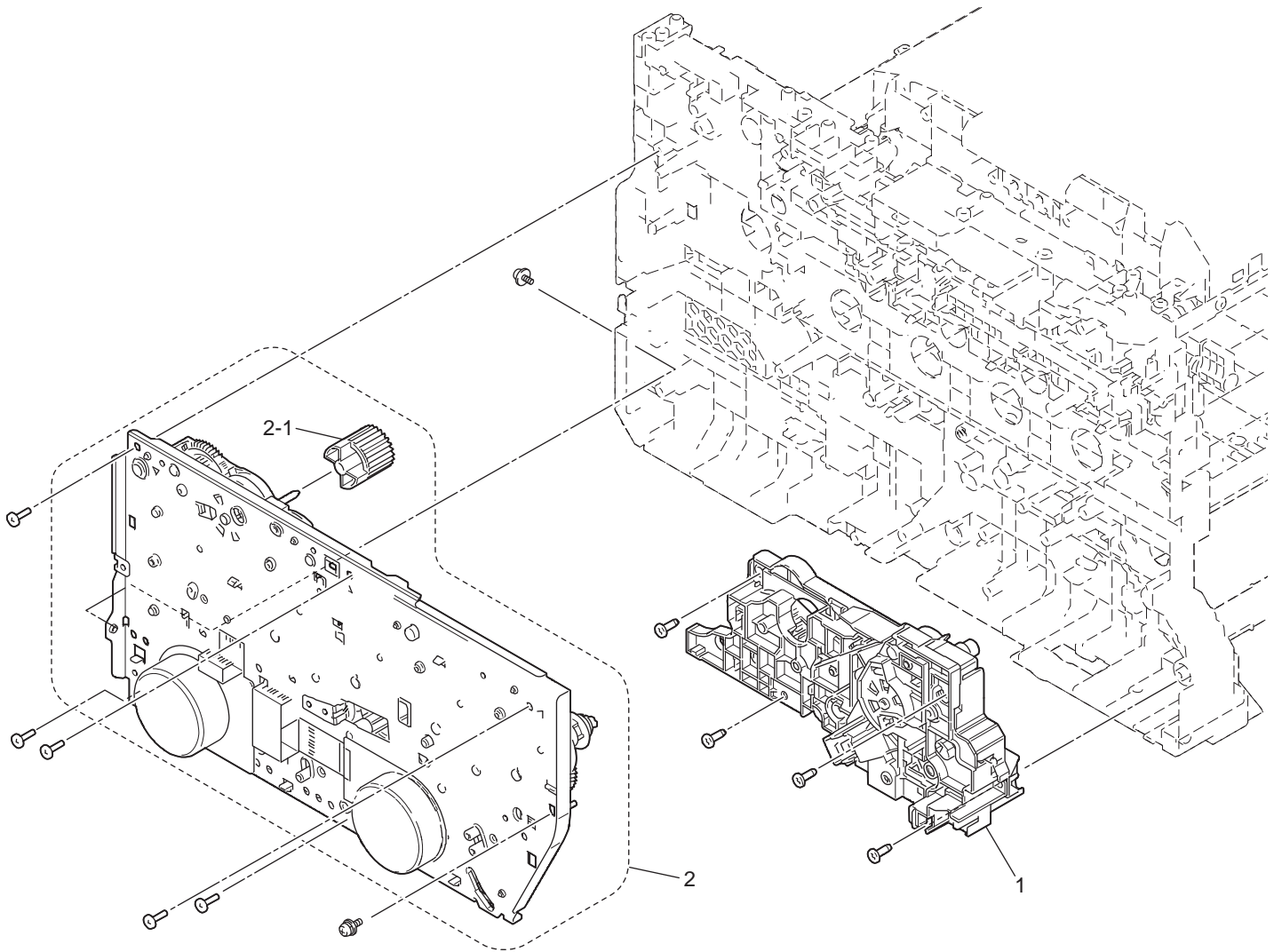
1.	<u>FRAME</u>	1
2.	<u>MAIN DRIVE</u>	3
3.	<u>LASER UNIT</u>	5
4.	<u>PAPER FEEDER</u>	7
5.	<u>MP</u>	9
6.	<u>PAPER CASSETTE</u>	11
7.	<u>FUSER UNIT</u>	13
8.	<u>PAPER EJECT</u>	15
9.	<u>COVERS & LABELS</u>	17
10.	<u>DOCUMENT SCANNER</u>	19
11.	<u>ADF</u>	21
12.	<u>PANEL</u>	23
13.	<u>PCB</u>	25
14.	<u>ACCESSORIES</u>	27
15.	<u>PACKING MATERIALS</u>	29
16.	<u>PERIODICAL MAINTENANCE PARTS</u>	31

1.FRAME



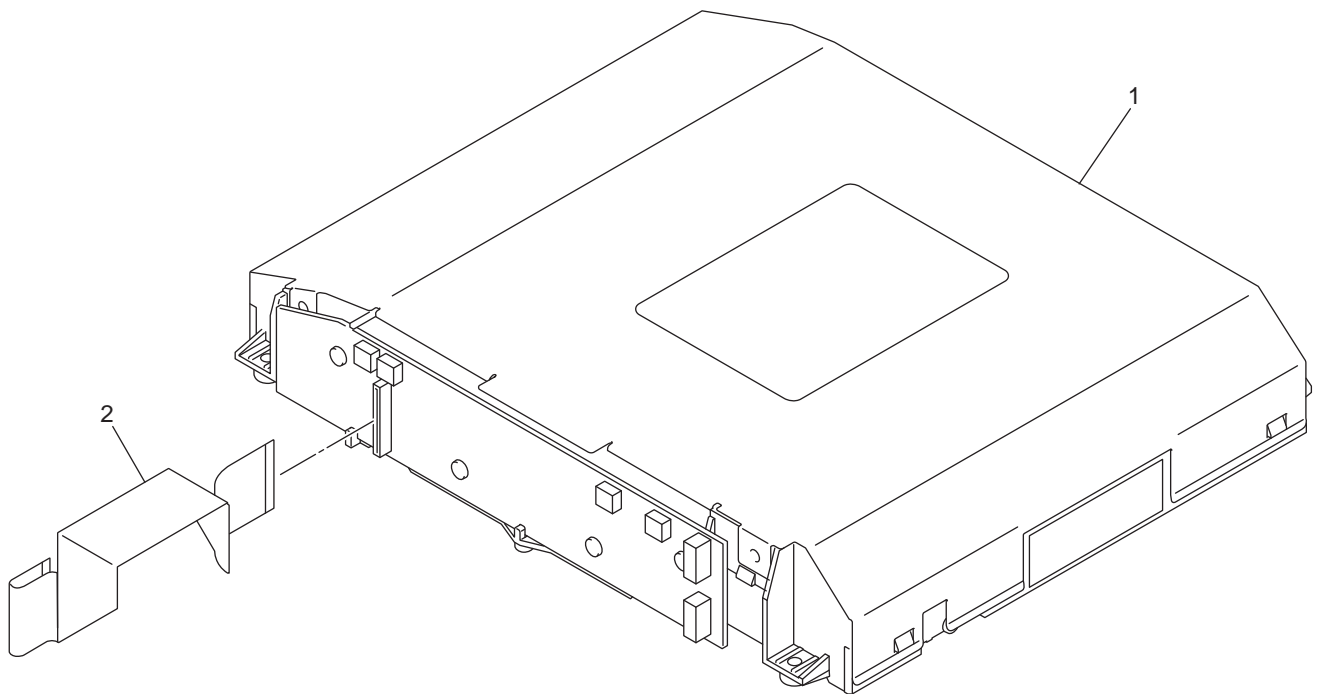
REF NO.	CODE	Q'TY	DESCRIPTION	MODEL	SPEC	REMARKS
1	D006V2001	1	BLOWER			
2	D006H1001	1	DEVELOP RELEASE SENSOR PCB			
3	D006F6001	1	TONER/NEW SENSOR PCB ASSY			
4	D006H5001	1	FRONT COVER SENSOR			
5	D00A7S001	1	INTERNAL TEMPARATURE SENSOR			
6	D006H6001	1	BACK COVER SENSOR ASSY			
7	D006FA001	1	DEVELOP RELEASE DRIVE UNIT			
8	LY7726001	1	REGISTRATION MARK SENSOR			
9	LY7727002	1	FUSER COVER ASSY			
9-1	LY0634001	4	CLEANER PINCH ROLLER S ASSY			
10	D006FX001	1	FUSER FAN			
11	D006FY001	1	POWER FAN			
12	LV1412001	1	EJECT SENSOR PCB ASSY			
					FOR GER/UK/SWI/ITA/IBR/RUS/ FRA/BEL/NLD/PND/CEE/ASA/ GULF/ARL/NZ/CHN/ARG/CHL/KOR/ rgEU	
12	LV1201001	1	EJECT SENSOR PCB ASSY			FOR USA/CAN/BRZ/TWN

2.MAIN DRIVE



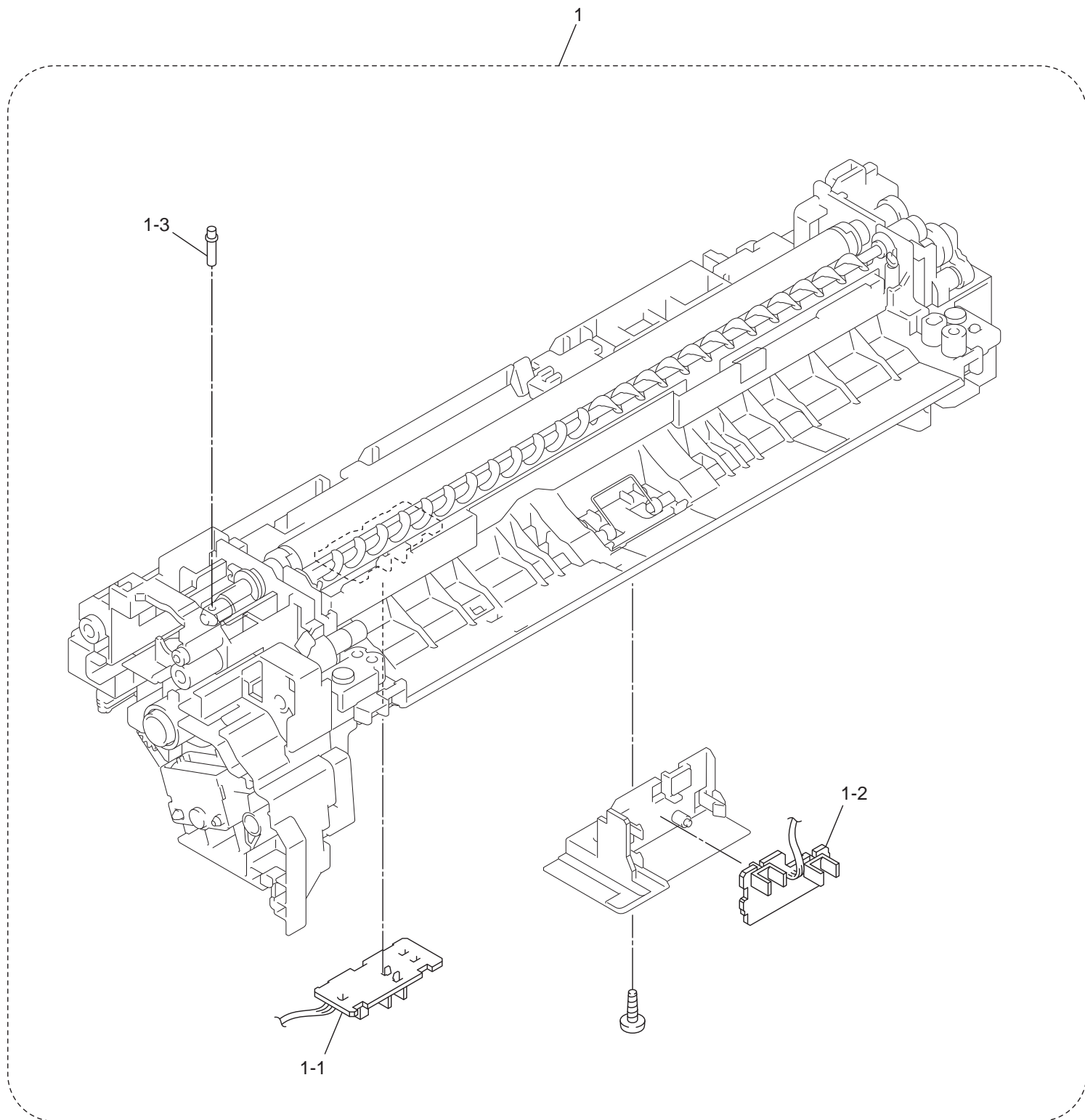
REF NO.	CODE	Q'TY	DESCRIPTION	MODEL	SPEC	REMARKS
1	D0067E001	1	PAPER FEED DRIVE UNIT			
2	D00H8V001	1	PROCESS DRIVE UNIT (SP)			
2-1	LY0233001	1	FUSER DRIVE GEAR Z25			

3.LASER UNIT

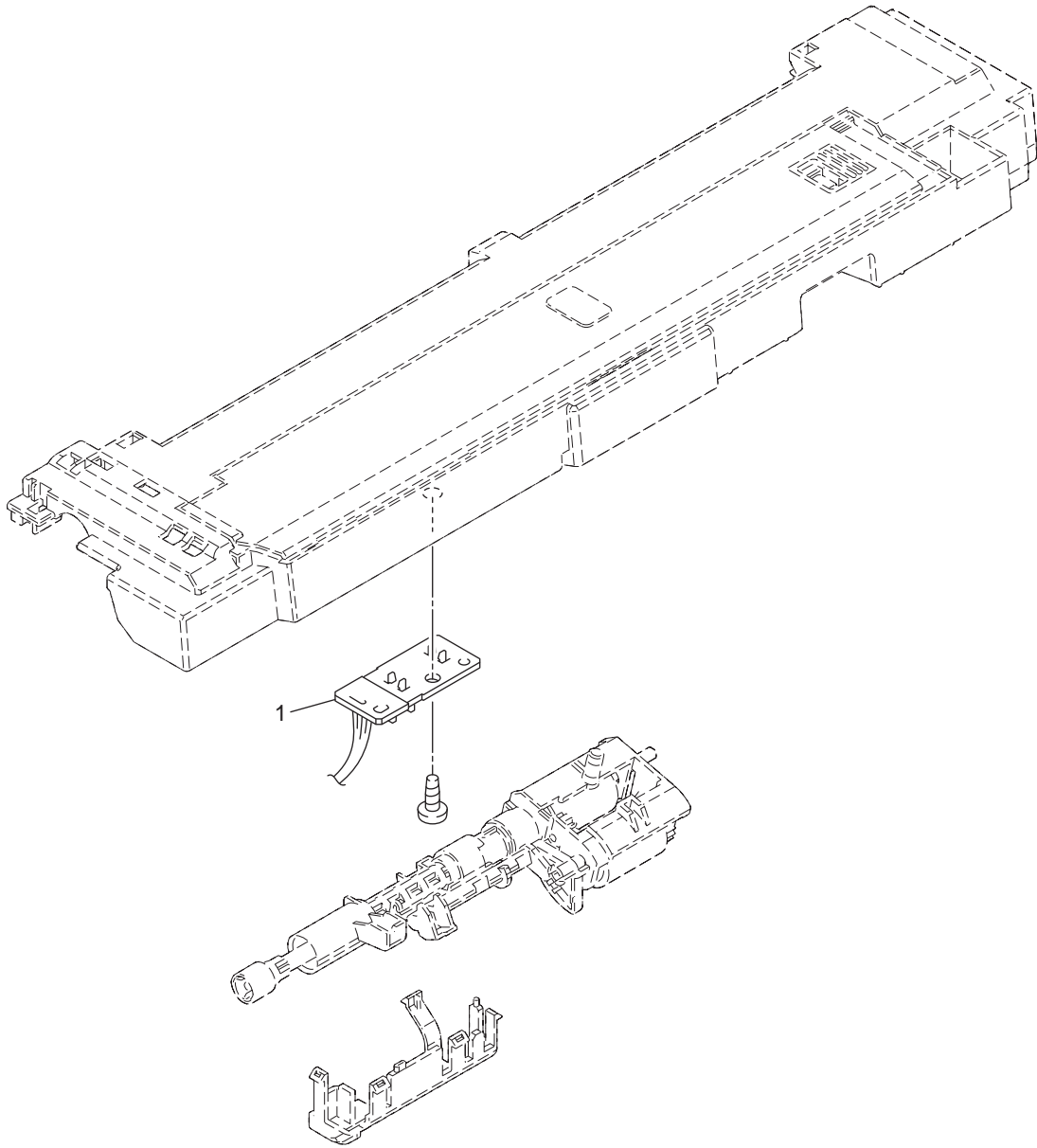


REF NO.	CODE	Q'TY	DESCRIPTION	MODEL	SPEC	REMARKS
1	D009ML001	1	LASER UNIT(SP)			
2	LV1174001	1	LASER UNIT FLAT CABLE			

4.PAPER FEEDER

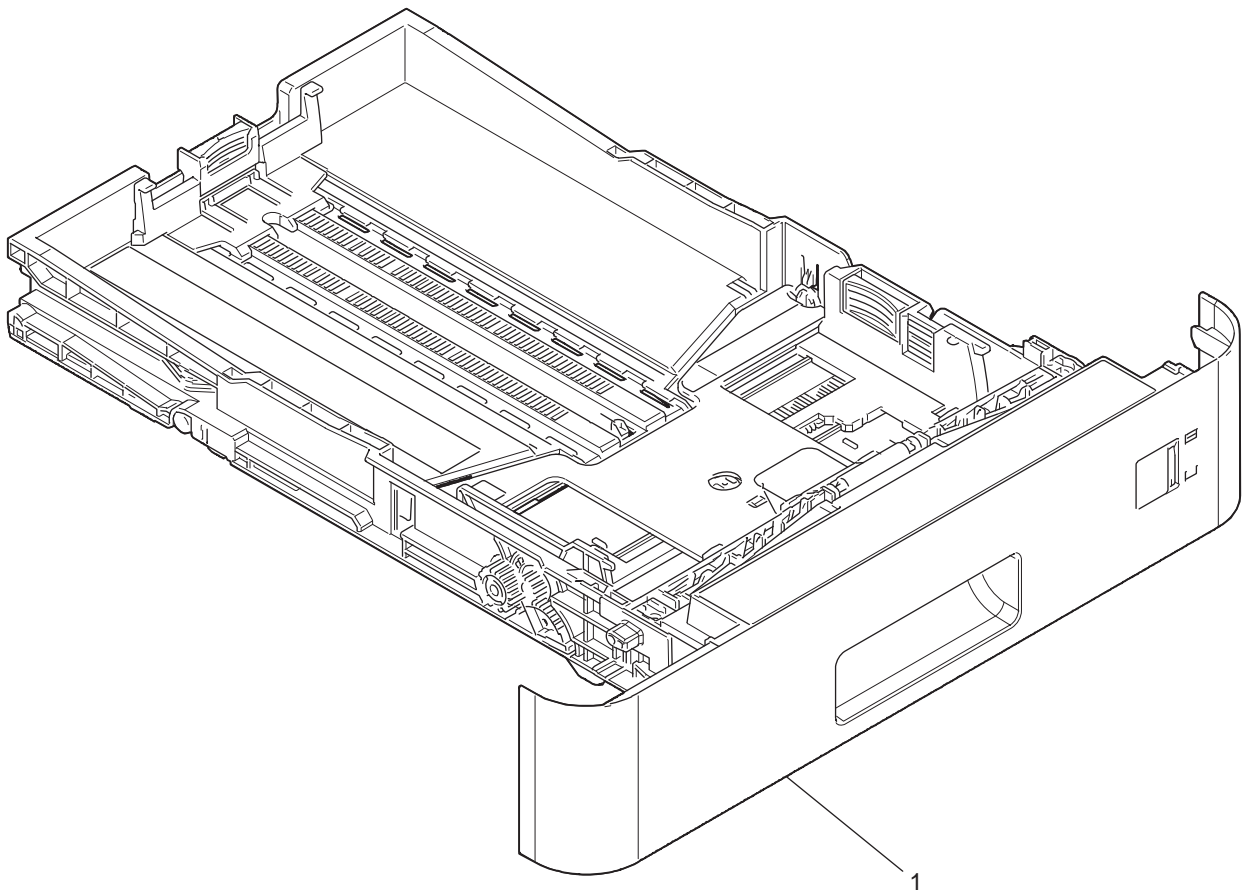


REF NO.	CODE	Q'TY	DESCRIPTION	MODEL	SPEC	REMARKS
1	D00H8D001	1	PAPER FEED UNIT (SP)	DCP-L8410CDW		
1	D00H8D001	1	PAPER FEED UNIT (SP)	MFC-L8610CDW		
1	D00H8D001	1	PAPER FEED UNIT (SP)	MFC-L8690CDW		
1	D00H8H001	1	PAPER FEED UNIT (SP)	MFC-L8900CDW		
1	D00H8H001	1	PAPER FEED UNIT (SP)	MFC-L9570CDW		
1-1	D0077S001	1	REGISTRATION FRONT/REAR SENSOR PCB ASSY			
1-2	D0077T001	1	T1 PAPER FEED SENSOR PCB	DCP-L8410CDW		
1-2	D0077T001	1	T1 PAPER FEED SENSOR PCB	MFC-L8610CDW		
1-2	D0077T001	1	T1 PAPER FEED SENSOR PCB	MFC-L8690CDW		
1-2	D0077U001	1	T1 PAPER FEED SENSOR PCB	MFC-L8900CDW		
1-2	D0077U001	1	T1 PAPER FEED SENSOR PCB	MFC-L9570CDW		
1-3	LY7136001	1	JOINT PIN			



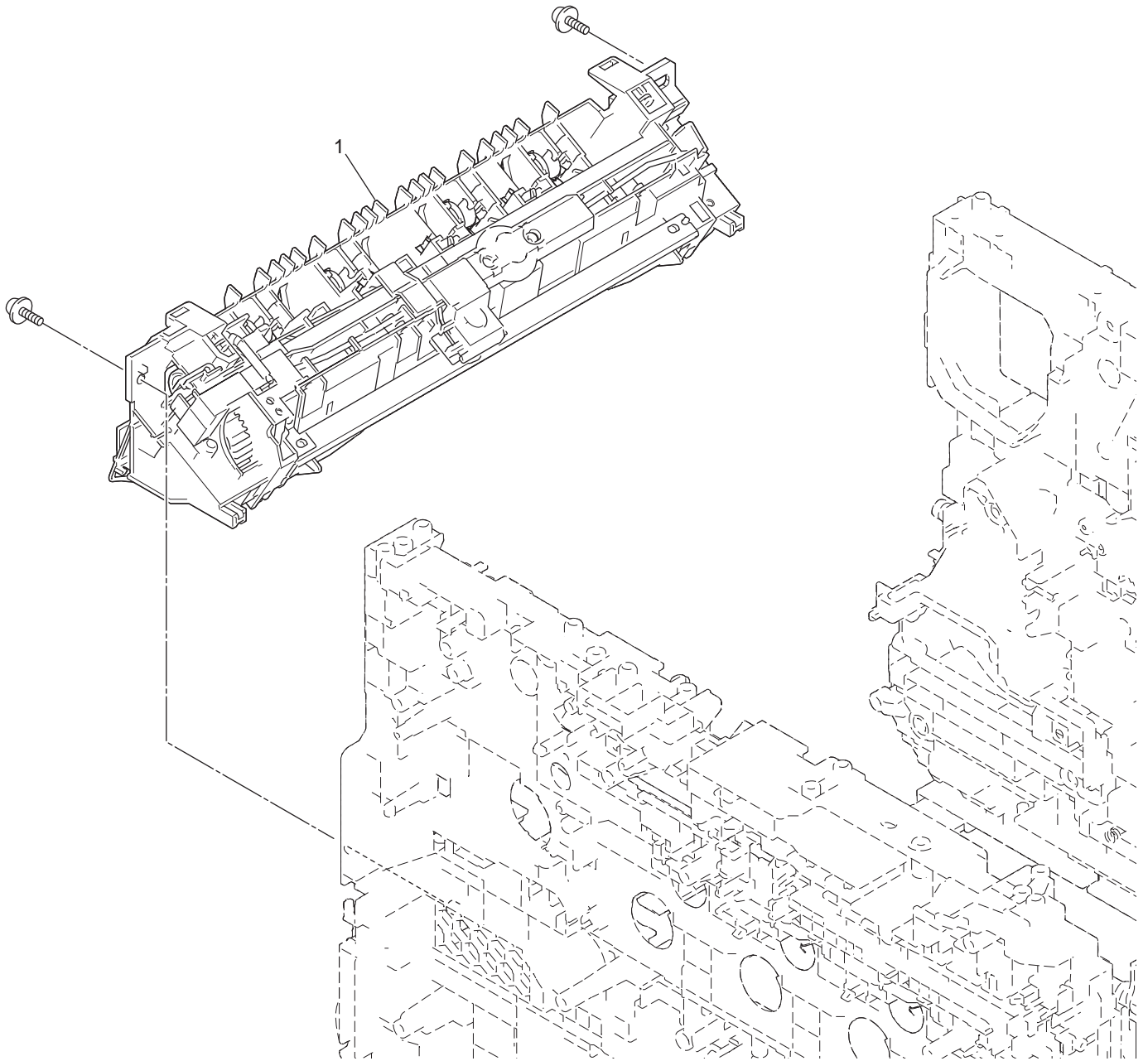
REF NO.	CODE	Q'TY	DESCRIPTION	MODEL	SPEC	REMARKS
1	D0077V001	1	MP PAPER EMPTY/REGISTRATION FRONT SENSOR PCB ASSY			

6.PAPER CASSETTE



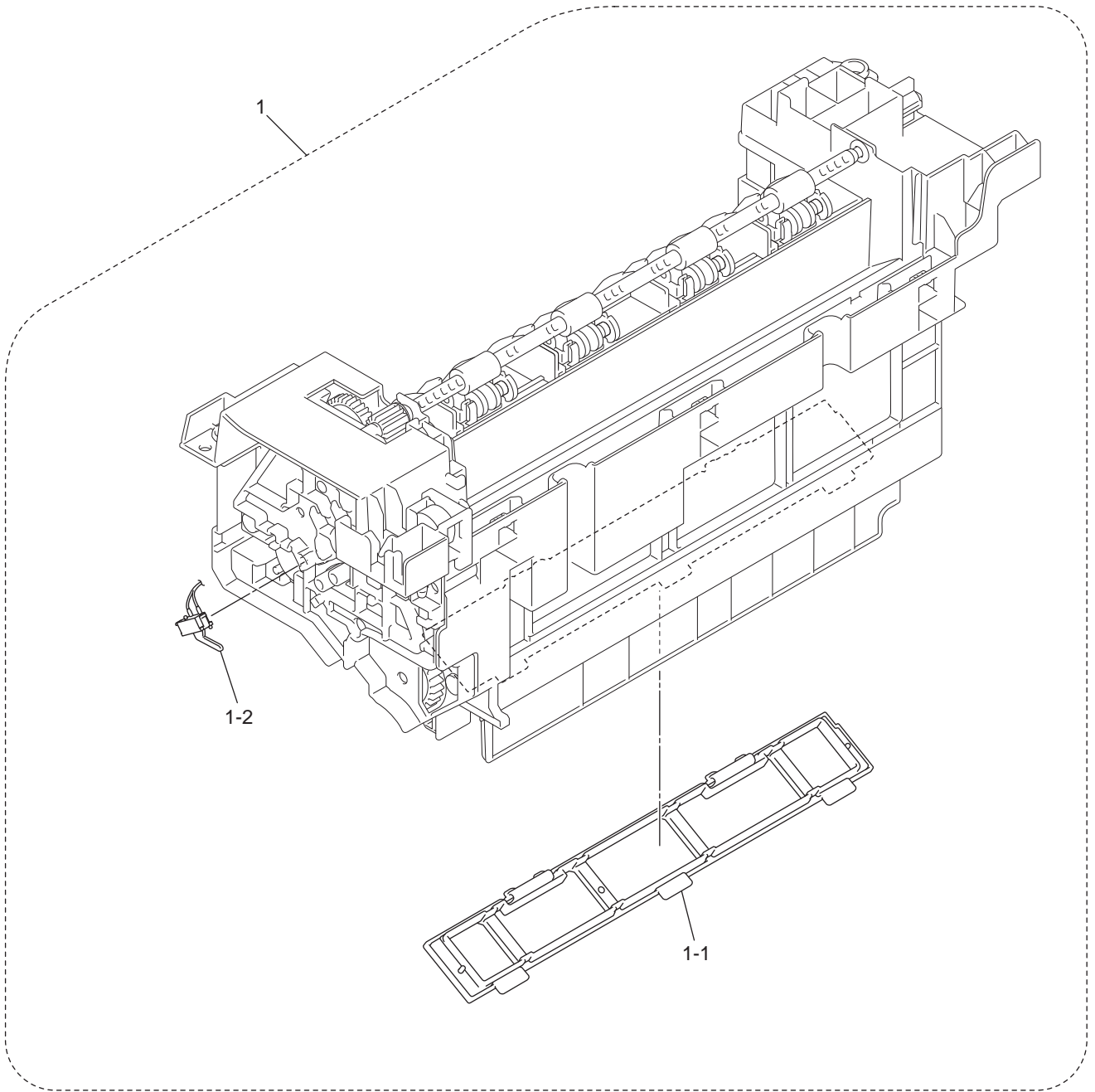
REF NO.	CODE	Q'TY	DESCRIPTION	MODEL	SPEC	REMARKS
1	D006GX001	1	PAPER TRAY			

7.FUSER UNIT



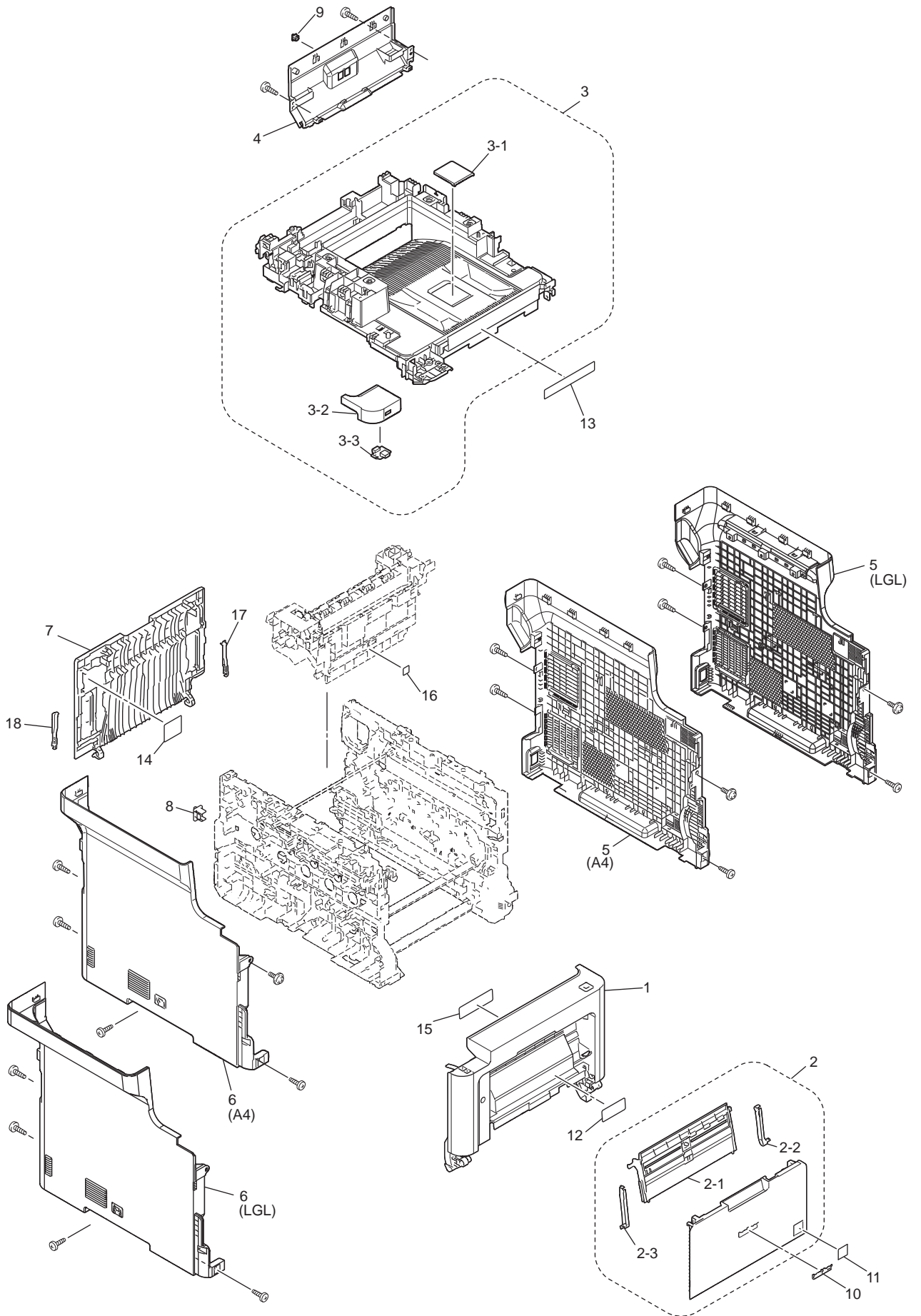
REF NO.	CODE	Q'TY	DESCRIPTION	MODEL	SPEC	REMARKS
1	D00EBS001	1	FUSER UNIT 127V(SP)		FOR BRZ	
1	D00C55001	1	FUSER UNIT 230V(SP)		FOR GER/UK/SWI/ITA/IBR/RUS/ FRA/BEL/NLD/PND/CEE/ASA/ GULF/ARL/NZ/CHN/ARG/CHL/KOR/ rgEU	
1	D00C54001	1	FUSER UNIT 115V(SP)		FOR USA/CAN/TWN	

8.PAPER EJECT



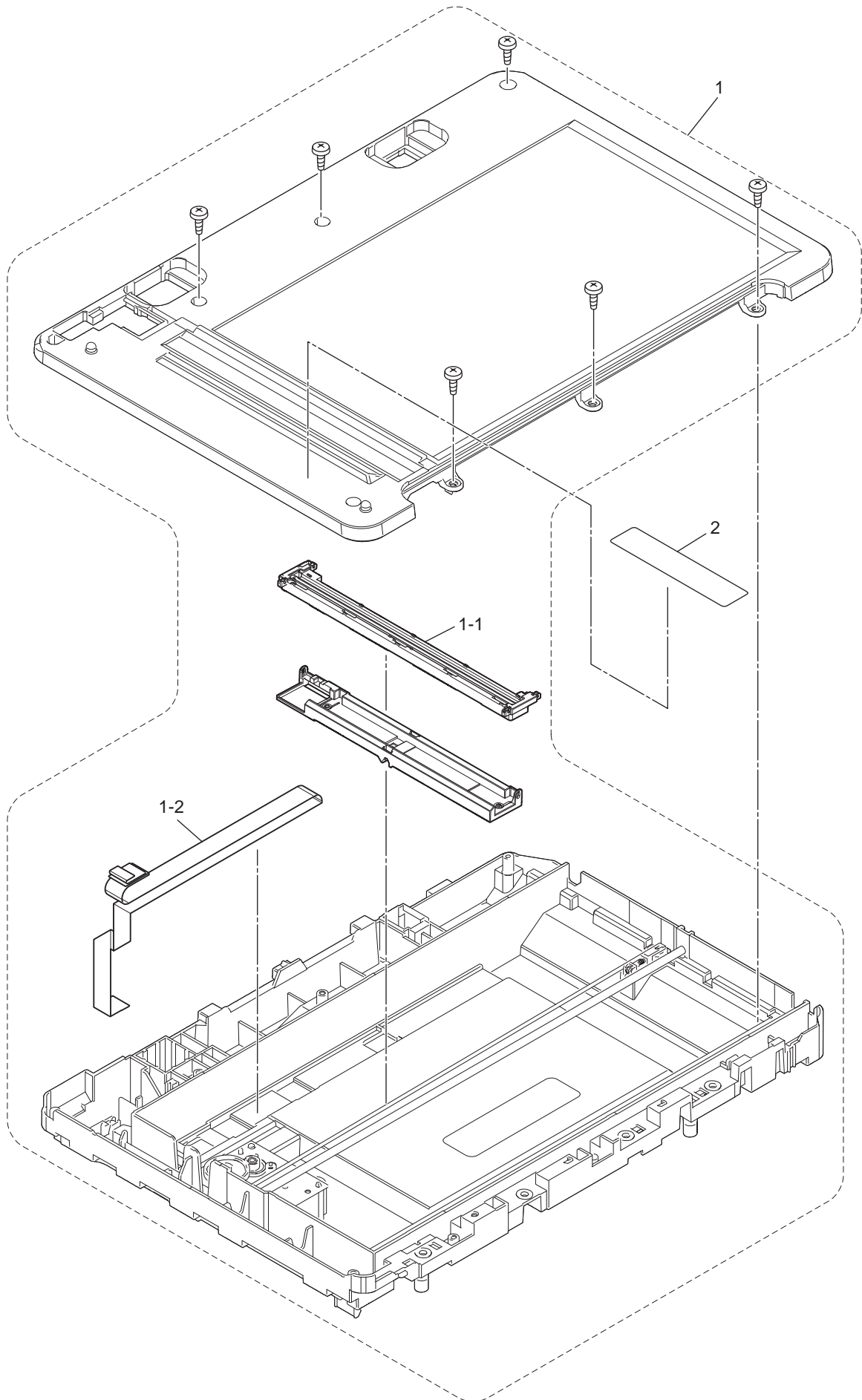
REF NO.	CODE	Q'TY	DESCRIPTION	MODEL	SPEC	REMARKS
1	D00GN3001	1	PAPER EJECT ASSY (SP)	DCP-L8410CDW		
1	D00GN3001	1	PAPER EJECT ASSY (SP)	MFC-L8610CDW		
1	D00GN3001	1	PAPER EJECT ASSY (SP)	MFC-L8690CDW		
1	D00GN4001	1	PAPER EJECT ASSY (SP)	MFC-L8900CDW		
1	D00GN4002	1	PAPER EJECT ASSY (SP)	MFC-L9570CDW		
1-1	LY7841001	1	TONER FILTER ASSY			
1-2	D006A3001	1	PAPER EJECT ORIGIN SENSOR	MFC-L8900CDW		
1-2	D006A3001	1	PAPER EJECT ORIGIN SENSOR	MFC-L9570CDW		

9. COVER & LABELS

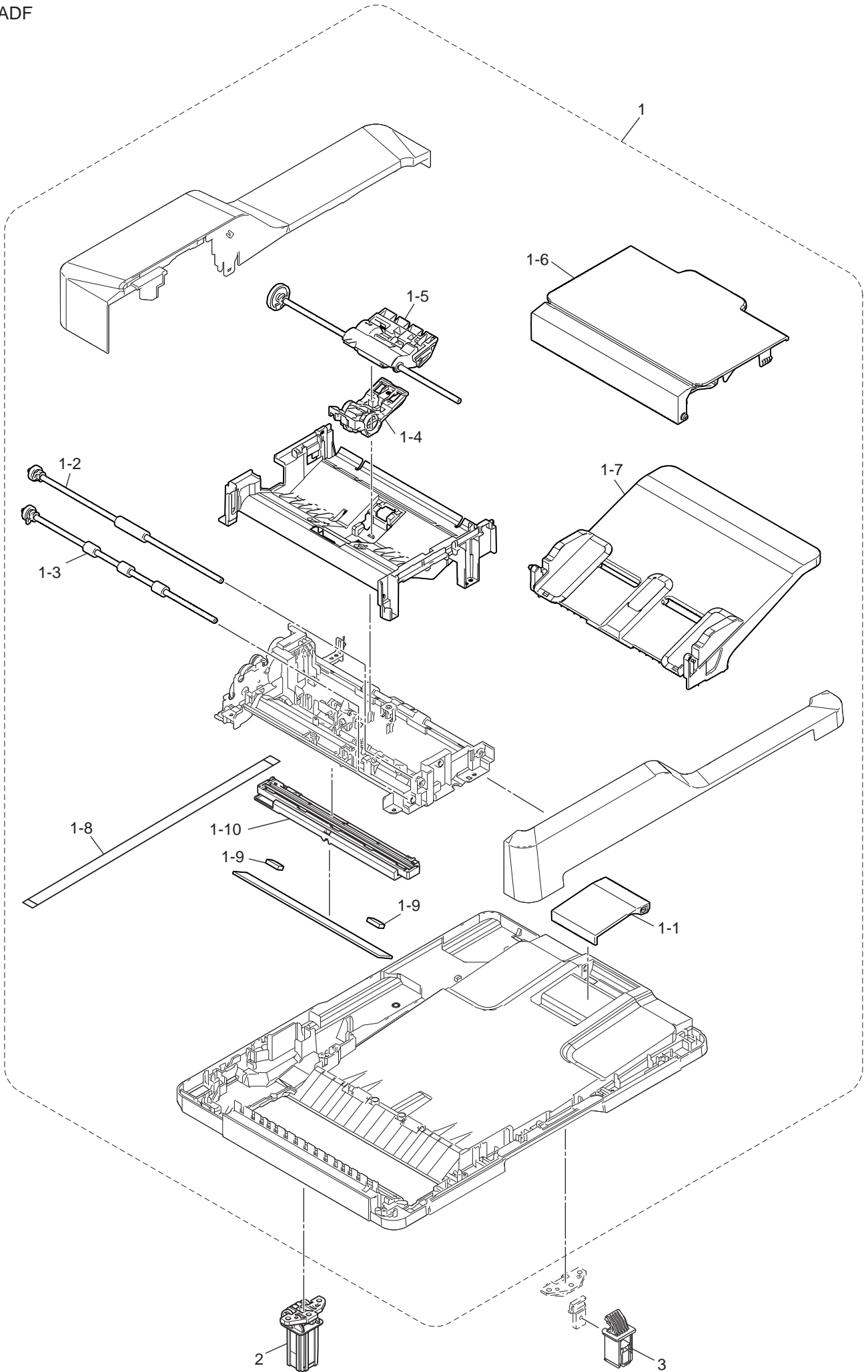


REF No.	CODE	Q'TY	DESCRIPTION	MODEL	SPEC	REMARKS
1	D006JZ001	1	FRONT COVER			
2	D006KD001	1	MP COVER ASSY			
2-1	D006KP001	1	MP PAPER GUIDE ASSY			
2-2	D006KV001	1	MP LINK R			
2-3	D006KW001	1	MP LINK L			
3	D006EU001	1	JOINT COVER ASSY	DCP-L8410CDW		
3	D006EU001	1	JOINT COVER ASSY	MFC-L8610CDW		
3	D006EU001	1	JOINT COVER ASSY	MFC-L8690CDW		
3	D006EU001	1	JOINT COVER ASSY	MFC-L8900CDW		
3	D006EU002	1	JOINT COVER ASSY	MFC-L9570CDW		
3-1	D006L0001	1	PAPER STOPPER	DCP-L8410CDW		
3-1	D006L0001	1	PAPER STOPPER	MFC-L8610CDW		
3-1	D006L0001	1	PAPER STOPPER	MFC-L8690CDW		
3-1	D006L0001	1	PAPER STOPPER	MFC-L8900CDW		
3-1	D006L0002	1	PAPER STOPPER	MFC-L9570CDW		
3-2	D007LS001	1	USB COVER PRINTED ASSY			
3-3	D006LH001	1	USB HOST RELAY PCB ASSY			
4	D00CYZ001	1	BACK COVER UPPER	DCP-L8410CDW		
4	D006F1001	1	BACK COVER UPPER	MFC-L8610CDW		
4	D006F1001	1	BACK COVER UPPER	MFC-L8690CDW		
4	D006FG001	1	BACK COVER UPPER	MFC-L8900CDW		
4	D006FG001	1	BACK COVER UPPER	MFC-L9570CDW		
5	D00CZ0001	1	SIDE COVER R	DCP-L8410CDW		
5	D006F2001	1	SIDE COVER R	MFC-L8610CDW		
5	D006F2001	1	SIDE COVER R	MFC-L8690CDW		
5	D006FJ001	1	SIDE COVER R	MFC-L8900CDW		
5	D006FJ001	1	SIDE COVER R	MFC-L9570CDW		
6	D00CZ3001	1	SIDE COVER L	DCP-L8410CDW		
6	D006F7001	1	SIDE COVER L	MFC-L8610CDW		
6	D006F7001	1	SIDE COVER L	MFC-L8690CDW		
6	D0094V001	1	SIDE COVER L	MFC-L8900CDW		
6	D006FM001	1	SIDE COVER L	MFC-L9570CDW		
7	D006LY001	1	BACK COVER			
8	LY0872001	1	LAN PORT CAP			
9	LE8842001	1	EXT CAP	MFC-L8610CDW		
9	UF5745000	1	MJ COVER	MFC-L8690CDW	FOR GER/UK	
9	LE8842001	1	EXT CAP	MFC-L8690CDW	FOR SWI/ITA/IBR/ASA/GULF/ RUS/FRA/BEL/NLD/ARL/NZ/PND/ CEE	
9	LE8842001	1	EXT CAP	MFC-L8900CDW	FOR USA/CAN/ARL/SWI/TWN/ARG/ CHL/ASA/BRZ/KOR/PND/rgEU	
9	UF5745000	1	MJ COVER	MFC-L8900CDW	FOR GER/UK/CHN	
9	LE8842001	1	EXT CAP	MFC-L9570CDW	FOR USA/CAN/SWI/GULF/BRZ/ RUS/ARL/NZ/PND/rgEU	
9	UF5745000	1	MJ COVER	MFC-L9570CDW	FOR GER/UK	
10	LY4852007	1	EMBLEM BROTHER SHEET			
11	D009Y1001	1	COLOR LASER LABEL			
12	D00A61001	1	MP SET INSTRUCTION LABEL			
13	D00LS4001	1	LABEL DR OPERATION PRT 2			
14	D007A0001	1	LABEL H/SP CAUTION REAR 49X45			
15	D00EV4001	1	LABEL H/SP CAUTION F 135 ASA		FOR ASA/TWN/KOR	
15	D00EV5001	1	LABEL H/SP CAUTION F 135 GULF		FOR GULF	
15	D00EH5001	1	LABEL H/SP CAUTION F 135 EU1	DCP-L8410CDW		
15	D007A3001	1	LABEL H/SP CAUTION F 135 US	MFC-L8610CDW	FOR USA/CAN	
15	D00EH5001	1	LABEL H/SP CAUTION F 135 EU1	MFC-L8690CDW	FOR GER/UK/SWI/ITA/IBR/RUS/ FRA/BEL/NLD/PND/CEE	
15	D00EV1001	1	LABEL H/SP CAUTION F 135 OCE1	MFC-L8690CDW	FOR ARL/NZ	
15	D00E9X001	1	LABEL H/SP CAUTION F 135 US2	MFC-L8900CDW	FOR USA/CAN	
15	D00ELS001	1	LABEL H/SP CAUTION F 135 EU2	MFC-L8900CDW	FOR GER/UK/SWI/PND/rgEU	
15	D00EV2001	1	LABEL H/SP CAUTION F 135 OCE2	MFC-L8900CDW	FOR ARL	
15	D00EBK001	1	LABEL H/SP CAUTION F 135 US3	MFC-L9570CDW	FOR USA/CAN	
15	D00ENC001	1	LABEL H/SP CAUTION F 135 EU3	MFC-L9570CDW	FOR GER/UK/SWI/RUS/PND/rgEU	
15	D00EV3001	1	LABEL H/SP CAUTION F 135 OCE3	MFC-L9570CDW	FOR ARL/NZ	
15	D00EV9001	1	LABEL H/SP CAUTION F 135 LTN		FOR BRZ/ARG/CHL	
16	D00CBH001	1	LABEL HIGH TEMP 13.9X108			
17	LY0451001	1	BACK COVER STOPPER ARM R			
18	LY0450001	1	BACK COVER STOPPER ARM L			

10.DOCUMENT SCANNER

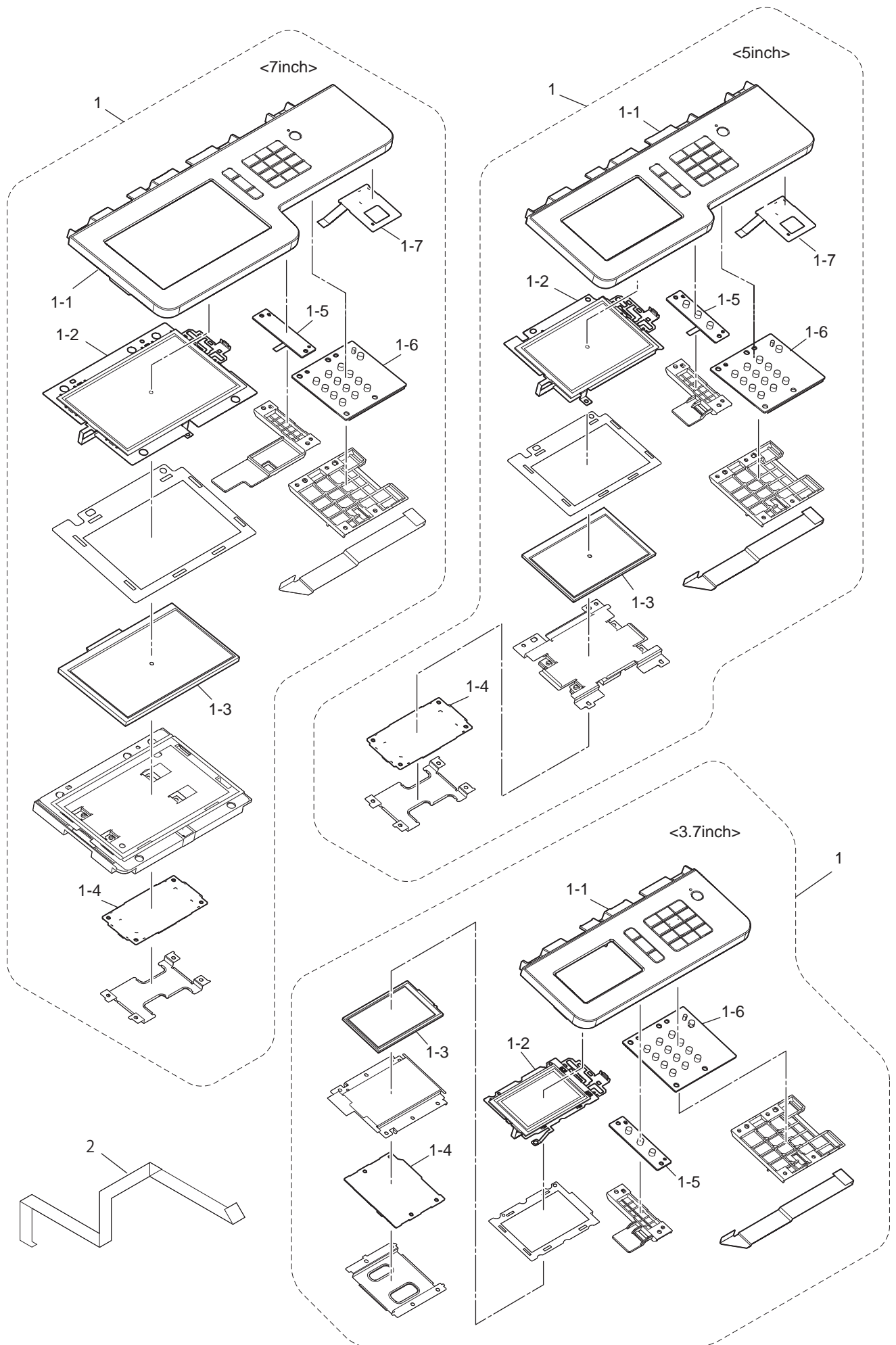


REF NO.	CODE	Q'TY	DESCRIPTION	MODEL	SPEC	REMARKS
1	D00HUN001	1	DOCUMENT SCANNER UNIT(SP)	DCP-L8410CDW		
1	D00HUN001	1	DOCUMENT SCANNER UNIT(SP)	MFC-L8610CDW		
1	D00HUP001	1	DOCUMENT SCANNER UNIT(SP)	MFC-L8690CDW		
1	D00HUR001	1	DOCUMENT SCANNER UNIT(SP)	MFC-L8900CDW		
1	D00HUR002	1	DOCUMENT SCANNER UNIT(SP)	MFC-L9570CDW		
1-1	D00770001	1	FIRST SIDE CIS UNIT			
1-2	D007ED001	1	FIRST SIDE CIS FLAT CABLE	DCP-L8410CDW		
1-2	D007ED001	1	FIRST SIDE CIS FLAT CABLE	MFC-L8610CDW		
1-2	D007ED001	1	FIRST SIDE CIS FLAT CABLE	MFC-L8690CDW		
1-2	D007E0001	1	FIRST SIDE CIS FLAT CABLE	MFC-L8900CDW		
1-2	D007E0001	1	FIRST SIDE CIS FLAT CABLE	MFC-L9570CDW		
2	D00A90001	1	ADF CLEAN UP LABEL	DCP-L8410CDW		
2	D00A90001	1	ADF CLEAN UP LABEL	MFC-L8610CDW		
2	D00A96001	1	ADF CLEAN UP LABEL	MFC-L8690CDW		
2	D00A96001	1	ADF CLEAN UP LABEL	MFC-L8900CDW		
2	D00A96001	1	ADF CLEAN UP LABEL	MFC-L9570CDW		



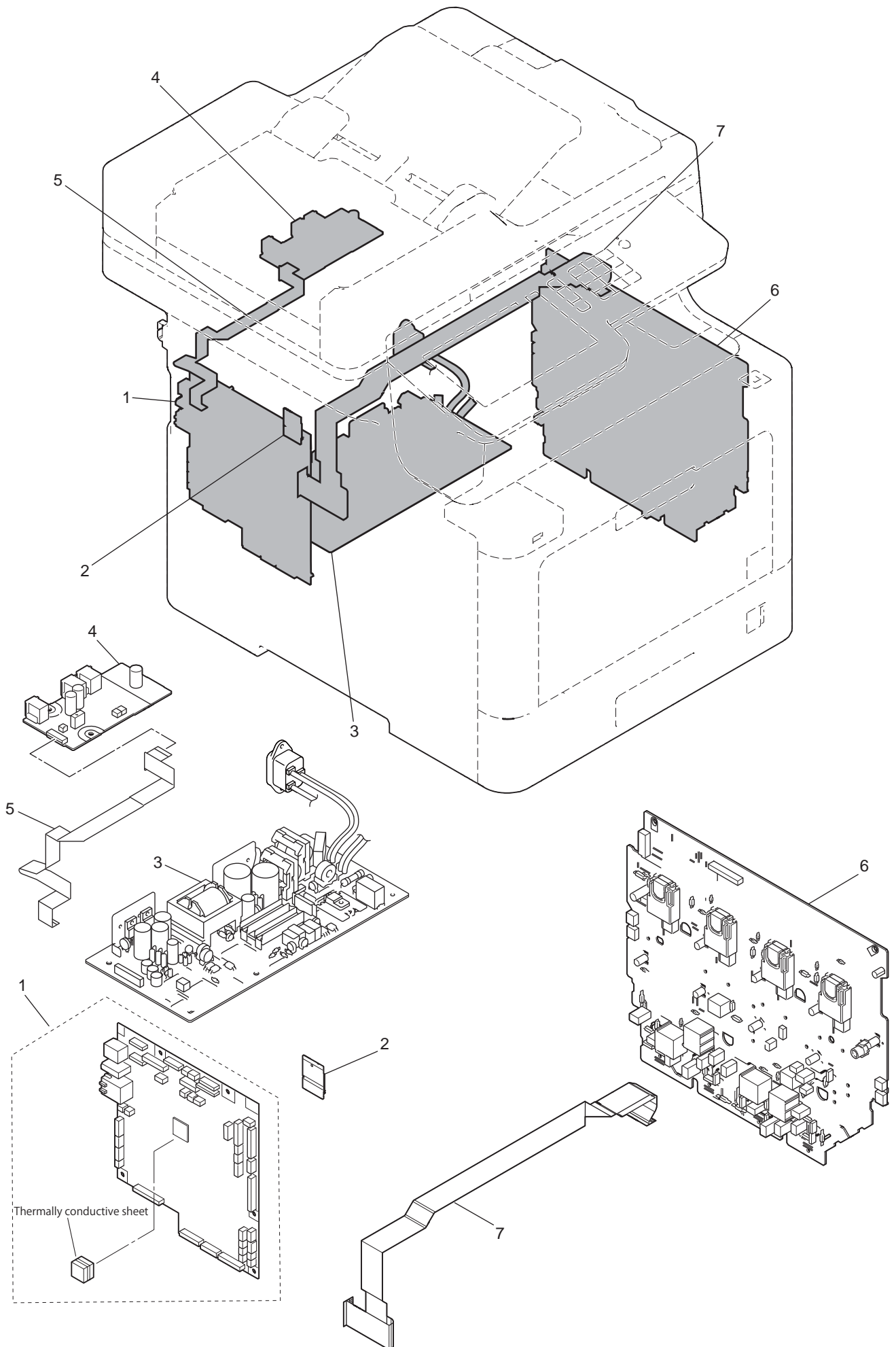
REF NO.	CODE	Q'TY	DESCRIPTION	MODEL	SPEC	REMARKS
1	D00HUK001	1	ADF UNIT(SP)	DCP-L8410CDW		
1	D00HUK001	1	ADF UNIT(SP)	MFC-L8610CDW		
1	D00HUK001	1	ADF UNIT(SP)	MFC-L8690CDW		
1	D00HUL001	1	ADF UNIT(SP)	MFC-L8900CDW		
1	D00HUM001	1	ADF UNIT(SP)	MFC-L9570CDW		
1-1	D001RA004	1	DOCUMENT STOPPER	DCP-L8410CDW		
1-1	D001RA004	1	DOCUMENT STOPPER	MFC-L8610CDW		
1-1	D001RA004	1	DOCUMENT STOPPER	MFC-L8690CDW		
1-1	D000UP004	1	DOCUMENT STOPPER	MFC-L8900CDW		
1-1	D000UP004	1	DOCUMENT STOPPER	MFC-L9570CDW		
1-2	D0016G001	1	LF1 ROLLER ASSY	DCP-L8410CDW		
1-2	D0016G001	1	LF1 ROLLER ASSY	MFC-L8610CDW		
1-2	D0016G001	1	LF1 ROLLER ASSY	MFC-L8690CDW		
1-2	D0016G001	1	LF1 ROLLER ASSY	MFC-L8900CDW		
1-2	D000NR001	1	LF1 ROLLER ASSY	MFC-L9570CDW		
1-3	D0016L001	1	LF2 ROLLER ASSY	DCP-L8410CDW		
1-3	D0016L001	1	LF2 ROLLER ASSY	MFC-L8610CDW		
1-3	D0016L001	1	LF2 ROLLER ASSY	MFC-L8690CDW		
1-3	D0016L001	1	LF2 ROLLER ASSY	MFC-L8900CDW		
1-3	D0015E001	1	LF2 ROLLER ASSY	MFC-L9570CDW		
1-4	D001R9001	1	ADF SEPARATION HOLDER ASSY			
1-5	D00394001	1	DOCUMENT SEPARATE ROLLER	DCP-L8410CDW		
1-5	D00394001	1	DOCUMENT SEPARATE ROLLER	MFC-L8610CDW		
1-5	D00394001	1	DOCUMENT SEPARATE ROLLER	MFC-L8690CDW		
1-5	D0016R001	1	DOCUMENT SEPARATE ROLLER	MFC-L8900CDW		
1-5	D00227001	1	DOCUMENT SEPARATE ROLLER	MFC-L9570CDW		
1-6	D006B0001	1	ADF COVER ASSY			
1-7	D006B3001	1	ADF DOCUMENT SUPORT			
1-8	D007EF001	1	SECOND SIDE CIS FLAT CABLE	MFC-L8690CDW		
1-8	D007EF001	1	SECOND SIDE CIS FLAT CABLE	MFC-L8900CDW		
1-8	D007DZ001	1	SECOND SIDE CIS FLAT CABLE	MFC-L9570CDW		
1-9	D001S5001	2	CIS SPONGE	MFC-L8690CDW		
1-9	D001S5001	2	CIS SPONGE	MFC-L8900CDW		
1-9	D001S5001	2	CIS SPONGE	MFC-L9570CDW		
1-10	D00770001	1	SECOND SIDE CIS UNIT	MFC-L8690CDW		
1-10	D00770001	1	SECOND SIDE CIS UNIT	MFC-L8900CDW		
1-10	D00770001	1	SECOND SIDE CIS UNIT	MFC-L9570CDW		
2	D000MZ003	1	HINGE L ASSY	DCP-L8410CDW		
2	D000MZ003	1	HINGE L ASSY	MFC-L8610CDW		
2	D000MZ003	1	HINGE L ASSY	MFC-L8690CDW		
2	D000UN003	1	HINGE L ASSY	MFC-L8900CDW		
2	D000UN003	1	HINGE L ASSY	MFC-L9570CDW		
3	LX5180010	1	HINGE R			

12.PANEL



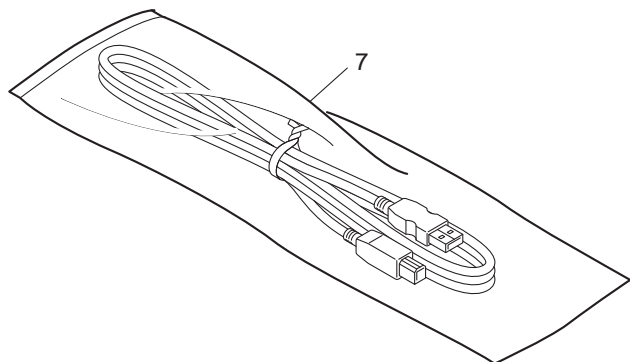
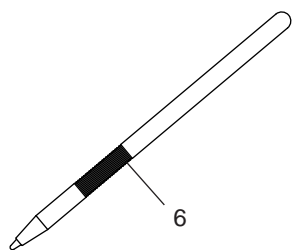
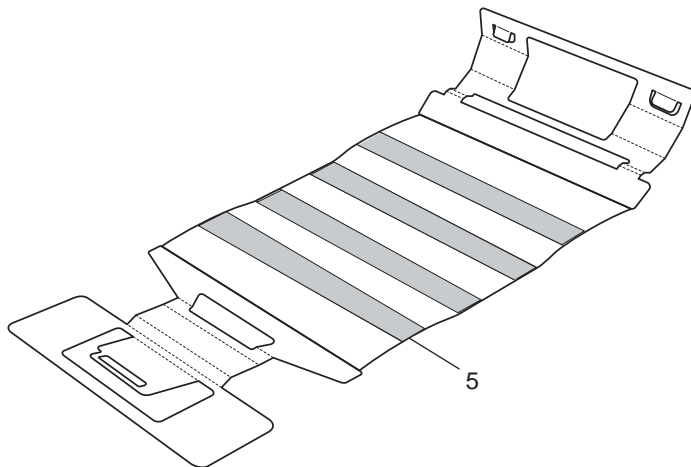
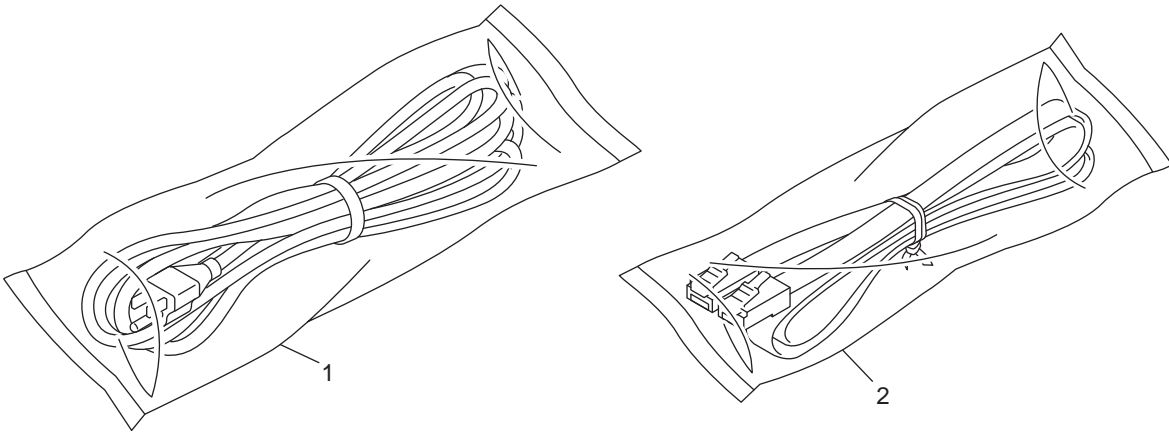
REF NO.	CODE	Q'TY	DESCRIPTION	MODEL	SPEC	REMARKS
1	D00CX001	1	CONTROL PANEL ASSY	DCP-L8410CDW		
1	D006NW001	1	CONTROL PANEL ASSY	MFC-L8610CDW		
1	D00CW3001	1	CONTROL PANEL ASSY	MFC-L8690CDW	FOR GER/UK/SWI/ITA/IBR/GULF/ RUS/FRA/BEL/NLD/ARL/NZ/PND/ CEE	
1	D00J7P001	1	CONTROL PANEL ASSY	MFC-L8690CDW	FOR ASA	
1	D00J7R001	1	CONTROL PANEL ASSY	MFC-L8900CDW	FOR ARG/ASA	
1	D007MG001	1	CONTROL PANEL ASSY	MFC-L8900CDW	FOR USA/CAN/GER/UK/ARL/SWI/ CHN/TWN/CHL/BRZ/KOR/PND/ rgeU	
1	D006DD001	1	CONTROL PANEL ASSY	MFC-L9570CDW		
1-1	D00M5X001	1	PANEL COVER ASSY SP	DCP-L8410CDW		
1-1	D00M5Z001	1	PANEL COVER ASSY SP	MFC-L8610CDW		
1-1	D00M60001	1	PANEL COVER ASSY SP	MFC-L8690CDW		
1-1	D00M62001	1	PANEL COVER ASSY SP	MFC-L8900CDW		
1-1	D00M63001	1	PANEL COVER ASSY SP	MFC-L9570CDW		
1-2	D006NY001	1	TOUCH PANEL ASSY	DCP-L8410CDW		
1-2	D006NY001	1	TOUCH PANEL ASSY	MFC-L8610CDW		
1-2	D006NY001	1	TOUCH PANEL ASSY	MFC-L8690CDW		
1-2	D007MK001	1	TOUCH PANEL ASSY	MFC-L8900CDW		
1-2	D006DG001	1	TOUCH PANEL ASSY	MFC-L9570CDW		
1-3	D002LR001	1	LCD	DCP-L8410CDW		
1-3	D002LR001	1	LCD	MFC-L8610CDW		
1-3	D002LR001	1	LCD	MFC-L8690CDW		
1-3	D007MU001	1	LCD	MFC-L8900CDW		
1-3	D006E0001	1	LCD	MFC-L9570CDW		
1-4	D006PX001	1	PANEL PCB	DCP-L8410CDW		
1-4	D006PX001	1	PANEL PCB	MFC-L8610CDW		
1-4	D006PX001	1	PANEL PCB	MFC-L8690CDW		
1-4	D006E2001	1	PANEL PCB	MFC-L8900CDW		
1-4	D006E2002	1	PANEL PCB	MFC-L9570CDW		
1-5	D007N2001	1	MODE KEY PCB	DCP-L8410CDW		
1-5	D007N2001	1	MODE KEY PCB	MFC-L8610CDW		
1-5	D007N2001	1	MODE KEY PCB	MFC-L8690CDW		
1-5	D007N2001	1	MODE KEY PCB	MFC-L8900CDW		
1-5	D007N2002	1	MODE KEY PCB	MFC-L9570CDW		
1-6	D006E3001	1	TEN KEY PCB	DCP-L8410CDW		
1-6	D006E3001	1	TEN KEY PCB	MFC-L8610CDW		
1-6	D006E3001	1	TEN KEY PCB	MFC-L8690CDW		
1-6	D006E3002	1	TEN KEY PCB	MFC-L8900CDW		
1-6	D006E3003	1	TEN KEY PCB	MFC-L9570CDW		
1-7	D0000T006	1	NFC PCB ASSY	MFC-L8900CDW		
1-7	D0000T006	1	NFC PCB ASSY	MFC-L9570CDW		
2	D006P6001	1	PANEL FLAT CABLE	DCP-L8410CDW		
2	D006P6001	1	PANEL FLAT CABLE	MFC-L8610CDW		
2	D006P6001	1	PANEL FLAT CABLE	MFC-L8690CDW		
2	D007MW001	1	PANEL FLAT CABLE	MFC-L8900CDW		
2	D007NY001	1	PANEL FLAT CABLE	MFC-L9570CDW		

13.PCB



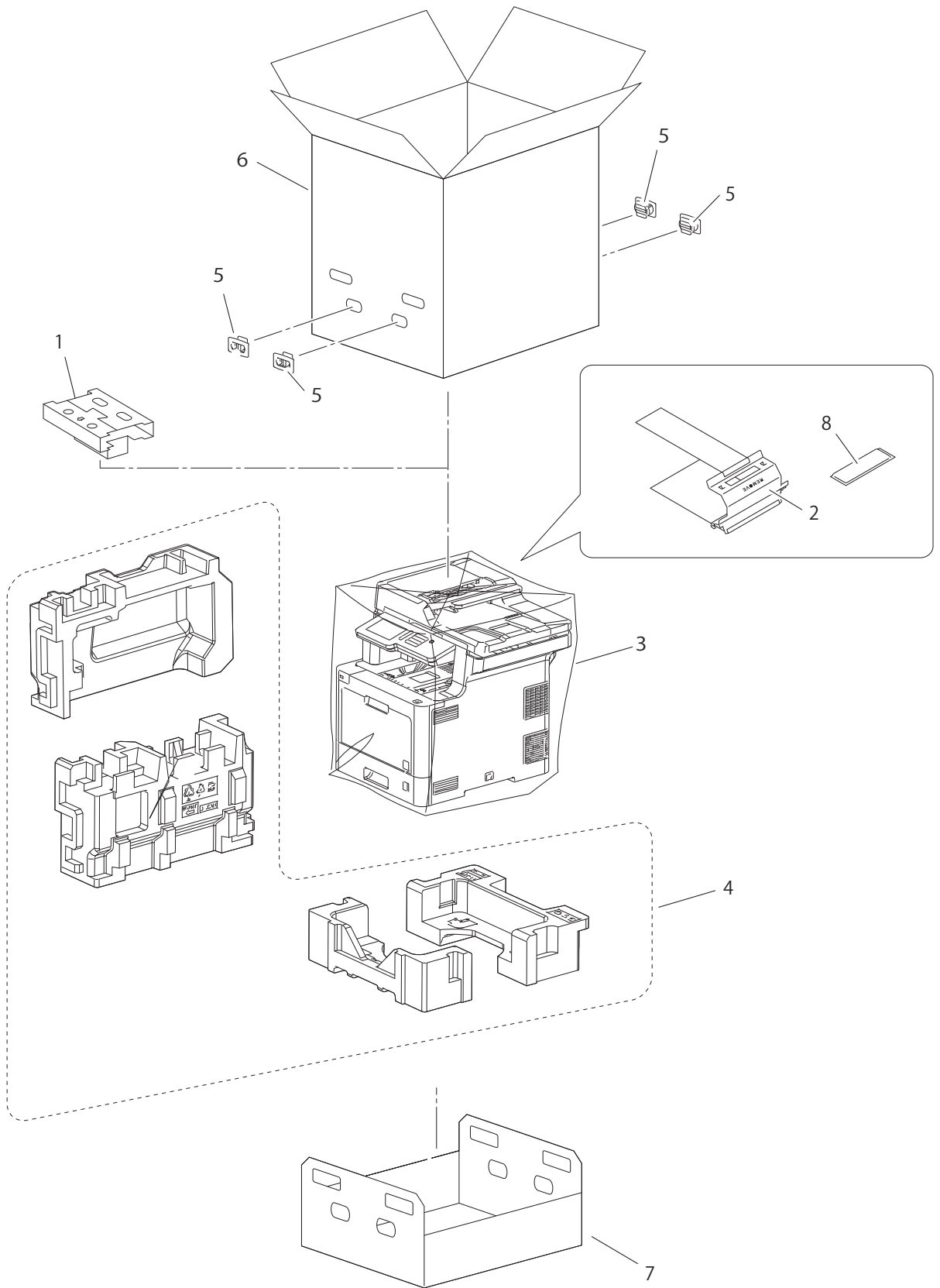
REF NO.	CODE	Q'TY	DESCRIPTION	MODEL	SPEC	REMARKS
1	D00M5K001	1	MAIN PCB ASSY	DCP-L8410CDW		
1	D00M5L001	1	MAIN PCB ASSY	MFC-L8610CDW		
1	D00M5M001	1	MAIN PCB ASSY	MFC-L8690CDW	FOR GER/UK/SWI/ITA/IBR/RUS/ FRA/BEL/NLD/ARL/NZ/PND/CEE	
1	D00R78001	1	MAIN PCB ASSY	MFC-L8690CDW	FOR ASA/GULF	
1	D00M5N001	1	MAIN PCB ASSY	MFC-L8900CDW	FOR USA/CAN/GER/UK/ARL/SWI/ CHN/PND/rgeU	
1	D00R73001	1	MAIN PCB ASSY	MFC-L8900CDW	FOR TWN/ARG/CHL/ASA/BRZ/KOR	
1	D00M5P001	1	MAIN PCB ASSY	MFC-L9570CDW		
2	LD1969001	2	WIRELESS LAN PCB ASSY			
3	D00CK9001	3	LOW-VOLTAGE POWER SUPPLY PCB ASSY		FOR BRZ	
3	D00947001	3	LOW-VOLTAGE POWER SUPPLY PCB ASSY		FOR GER/UK/SWI/ITA/IBR/FRA/ BEL/NLD/PND/CEE/ASA/GULF/ ARL/NZ/ARG/CHL/KOR/rgeU	
3	D00ATU001	3	LOW-VOLTAGE POWER SUPPLY PCB ASSY		FOR RUS/CHN	
3	D006CL001	3	LOW-VOLTAGE POWER SUPPLY PCB ASSY		FOR USA/CAN/TWN	
4	D003X0053	4	MODEM PCB ASSY		FOR ARL/NZ	
4	D003X0051	4	MODEM PCB ASSY		FOR USA/CAN/BRZ/ASA/CHN/TWN/ ARG/CHL/KOR	
4	D003X0052	4	MODEM PCB ASSY	MFC-L8690CDW	FOR GER/UK/SWI/ITA/IBR/GULF/ RUS/FRA/BEL/NLD/PND/CEE	
4	D003X0052	4	MODEM PCB ASSY	MFC-L8900CDW	FOR GER/UK/SWI/PND/rgeU	
4	D003X0052	4	MODEM PCB ASSY	MFC-L9570CDW	FOR GER/UK/SWI/GULF/RUS/PND/ rgeU	
5	D006PF001	5	MODEM FLAT CABLE	MFC-L8610CDW		
5	D006PF001	5	MODEM FLAT CABLE	MFC-L8690CDW		
5	D006PF001	5	MODEM FLAT CABLE	MFC-L8900CDW		
5	D006PF001	5	MODEM FLAT CABLE	MFC-L9570CDW		
6	D006PM001	6	HIGH-VOLTAGE POWER SUPPLY PCB ASSY			
7	D006H8001	7	HIGH-VOLTAGE POWER SUPPLY FLAT CABLE			

14.ACCESSORIES



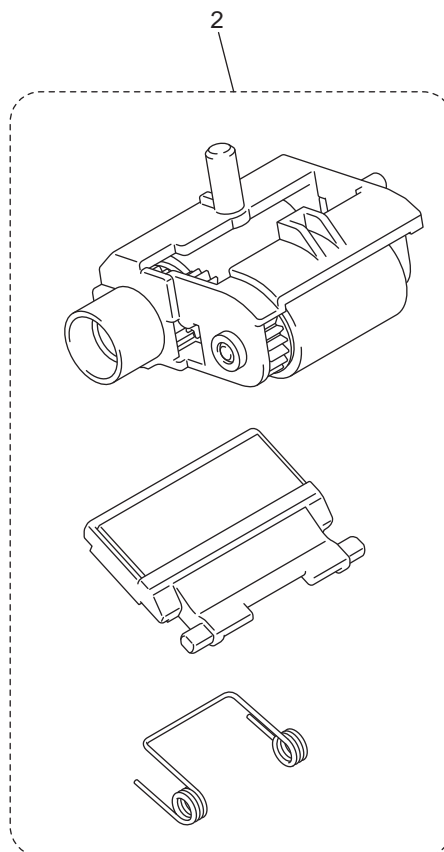
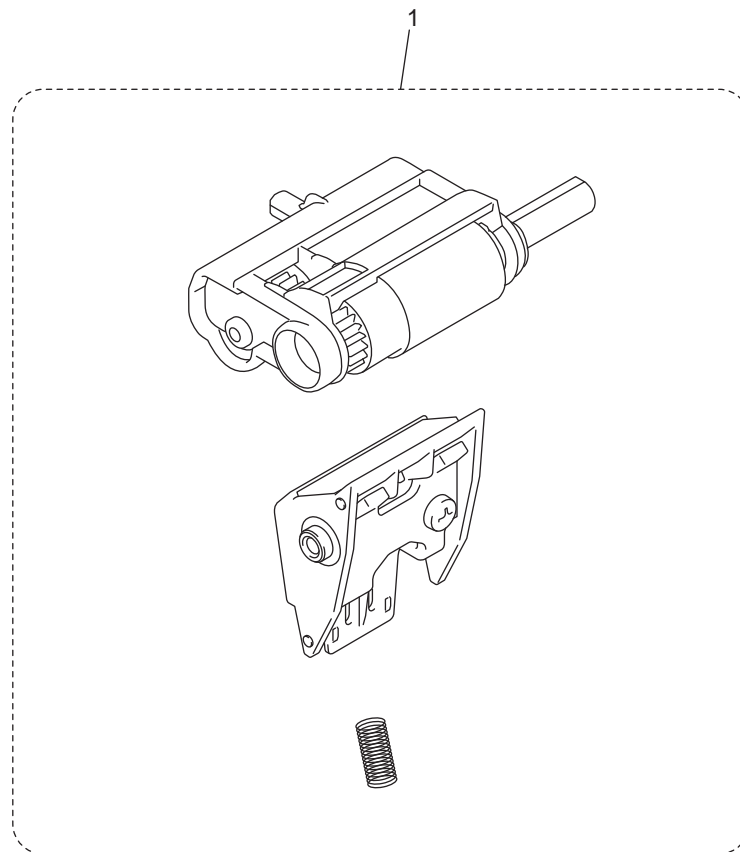
REF NO.	CODE	Q'TY	DESCRIPTION	MODEL	SPEC	REMARKS
1	LV0366001	1	AC CORD BAG ASSY LF SAA S		FOR ARL/NZ	CHG
1	LV1465001	1	AC CORD BAG ASSY LF INMETRO		FOR BRZ	
1	LV0364001	1	AC CORD BAG ASSY LF VDE S		FOR GER/ITA/IBR/RUS/FRA/BEL/ NLD/PND/CEE/ASA/GULF/rgeU	
1	LG6404001	1	AC CORD BAG ASSY LF SAF		FOR GULF	
1	LG4720001	1	AC CORD BAG ASSY LF DEMKO		FOR PND	
1	LT2259001	1	AC CORD BAG ASSY LF SEV		FOR SWI	
1	LV0368001	1	AC CORD BAG ASSY LF BS/PSB S		FOR UK/ASA/GULF	
1	LM9362001	1	AC CORD BAG ASSY LF UL/CSA 13A		FOR USA/CAN	
1	LV1093001	1	AC CORD BAG ASSY LF CHN S/ BRO	MFC-L8900CDW	FOR CHN	
1	LV0454001	1	AC CORD BAG ASSY LF TWN 13A	MFC-L8900CDW	FOR TWN	
1	LT0925001	1	AC CORD BAG ASSY LF IRAM	MFC-L8900CDW	FOR ARG	
1	LG6207001	1	AC CORD BAG ASSY LF CHILE	MFC-L8900CDW	FOR CHL	
1	LV1381001	1	AC CORD BAG ASSY LF PERU V	MFC-L8900CDW	FOR CHL	
1	LT0935001	1	AC CORD BAG ASSY LF KOR S	MFC-L8900CDW	FOR KOR	
2	LT3317001	1	TELEPHONE LINE CORD CSA2		FOR ARL/NZ	
2	LT2144001	1	TELEPHONE LINE CORD ITA		FOR ITA/IBR/rgeU	
2	LG3077001	1	TELEPHONE LINE CORD CSA	MFC-L8610CDW		
2	UG3625001	1	TELEPHONE LINE CORD GER	MFC-L8690CDW	FOR GER	
2	LG3077001	1	TELEPHONE LINE CORD CSA	MFC-L8690CDW	FOR UK/ASA/GULF/RUS/FRA/BEL/ NLD/CEE	
2	UG3626001	1	TELEPHONE LINE CORD UK6P	MFC-L8690CDW	FOR UK	
2	LG7202001	1	TELEPHONE LINE CORD SWI	MFC-L8690CDW	FOR SWI	
2	LG3077001	1	TELEPHONE LINE CORD CSA	MFC-L8900CDW	FOR USA/CAN/UK/CHN/TWN/ARG/ CHL/ASA/BRZ/KOR/rgeU	
2	UG3625001	1	TELEPHONE LINE CORD GER	MFC-L8900CDW	FOR GER	
2	UG3626001	1	TELEPHONE LINE CORD UK6P	MFC-L8900CDW	FOR UK	
2	LG7202001	1	TELEPHONE LINE CORD SWI	MFC-L8900CDW	FOR SWI	
2	LG7202001	1	TELEPHONE LINE CORD SWI	MFC-L9570CDW	FOR SWI	
2	LG3077001	1	TELEPHONE LINE CORD CSA	MFC-L9570CDW	FOR USA/CAN/UK/BRZ/RUS/rgeU	
2	UG3625001	1	TELEPHONE LINE CORD GER	MFC-L9570CDW	FOR GER	
2	UG3626001	1	TELEPHONE LINE CORD UK6P	MFC-L9570CDW	FOR UK	
2	UG4205001	1	TELEPHONE LINE CORD AUS	MFC-L8690CDW	FOR GER	
2	UG3627001	1	TELEPHONE LINE CORD FRA	MFC-L8690CDW	FOR FRA/BEL/NLD	
2	UG3290001	1	TELEPHONE LINE CORD NZ	MFC-L8690CDW	FOR ARL/NZ	
2	LG5827001	1	TELEPHONE LINE CORD RJ45	MFC-L8690CDW	FOR PND	
2	UG4205001	1	TELEPHONE LINE CORD AUS	MFC-L8900CDW	FOR GER	
2	LG5827001	1	TELEPHONE LINE CORD RJ45	MFC-L8900CDW	FOR PND	
2	UG3627001	1	TELEPHONE LINE CORD FRA	MFC-L8900CDW	FOR rgeU	
2	UG4205001	1	TELEPHONE LINE CORD AUS	MFC-L9570CDW	FOR GER	
2	UG3290001	1	TELEPHONE LINE CORD NZ	MFC-L9570CDW	FOR ARL/NZ	
2	LG5827001	1	TELEPHONE LINE CORD RJ45	MFC-L9570CDW	FOR PND	
2	UG3627001	1	TELEPHONE LINE CORD FRA	MFC-L9570CDW	FOR rgeU	
(3)	LT3927001	1	TELEPHONE PLUG ARL2	MFC-L8690CDW	FOR ARL/NZ	
(3)	LG5830001	1	TELEPHONE PLUG SWE	MFC-L8690CDW	FOR PND	
(3)	LT3927001	1	TELEPHONE PLUG ARL2	MFC-L8900CDW	FOR ARL	
(3)	LG5830001	1	TELEPHONE PLUG SWE	MFC-L8900CDW	FOR PND	
(3)	LT3927001	1	TELEPHONE PLUG ARL2	MFC-L9570CDW	FOR ARL/NZ	
(3)	LG5830001	1	TELEPHONE PLUG SWE	MFC-L9570CDW	FOR PND	
(3)	LG5829001	1	TELEPHONE PLUG FIN	MFC-L8690CDW	FOR PND	
(3)	LG5829001	1	TELEPHONE PLUG FIN	MFC-L8900CDW	FOR PND	
(3)	LG5829001	1	TELEPHONE PLUG FIN	MFC-L9570CDW	FOR PND	
(3)	LG5828001	1	TELEPHONE PLUG DEN	MFC-L8690CDW	FOR PND	
(3)	LG5828001	1	TELEPHONE PLUG DEN	MFC-L8900CDW	FOR PND	
(3)	LG5828001	1	TELEPHONE PLUG DEN	MFC-L9570CDW	FOR PND	
(4)	D00EN6001	1	FRENCH PANEL STICKER BC4		FOR CAN	
5	D00JRR001	1	DRUM CLEANING SHEET KIT(SP)			
6	XA9940051	1	TOUCH PEN			
7	LJ9803001	1	USB CABLE			

15.PACKING MATERIAL



REF NO.	CODE	Q'TY	DESCRIPTION	MODEL	SPEC	REMARKS
1	D009YE001	1	OPTION CARTON BC4FB			
2	D00FZ9001	1	REMOVE SHEET ASSY			
3	LX4625001	1	BAG 1100X1200			
4	D00A5L001	1	POLYSTYRENE PAD ASSY	DCP-L8410CDW		
4	D00A5L001	1	POLYSTYRENE PAD ASSY	MFC-L8610CDW		
4	D00A5L001	1	POLYSTYRENE PAD ASSY	MFC-L8690CDW		
4	D00A5R001	1	POLYSTYRENE PAD ASSY	MFC-L8900CDW	FOR USA/CAN/GER/UK/ARL/SWI/ TWN/ASA/PND/rgeU	
4	D00A6E001	1	POLYSTYRENE PAD ASSY	MFC-L8900CDW	FOR CHN/ARG/CHL/BRZ/KOR	
4	D00A6E001	1	POLYSTYRENE PAD ASSY	MFC-L9570CDW		
5	D004L5001	4	CARTON JOINT			
6	D00GNT001	1	CARTON UPPER	DCP-L8410CDW		
6	D00G1D001	1	CARTON UPPER	MFC-L8610CDW	FOR USA	
6	D00G6T001	1	CARTON UPPER	MFC-L8610CDW	FOR CAN	
6	D00L61001	1	CARTON UPPER	MFC-L8610CDW	FOR BRZ	
6	D00G4D001	1	CARTON UPPER	MFC-L8690CDW	FOR GER/UK/SWI/ITA/IBR/RUS/ FRA/BEL/NLD/PND/CEE	
6	D00L5Z001	1	CARTON UPPER	MFC-L8690CDW	FOR ASA	
6	D00LS6001	1	CARTON UPPER	MFC-L8690CDW	FOR GULF	
6	D00JGY001	1	CARTON UPPER	MFC-L8690CDW	FOR ARL/NZ	
6	D00G6W001	1	CARTON UPPER	MFC-L8900CDW	FOR USA	
6	D00G70001	1	CARTON UPPER	MFC-L8900CDW	FOR CAN	
6	D00GUA001	1	CARTON UPPER	MFC-L8900CDW	FOR GER/UK/SWI/PND/rgeU	
6	D00JGL001	1	CARTON UPPER	MFC-L8900CDW	FOR ARL/TWN/ASA	
6	D00L60001	1	CARTON UPPER	MFC-L8900CDW	FOR CHN	
6	D00L65001	1	CARTON UPPER	MFC-L8900CDW	FOR ARG/CHL	
6	D00L66001	1	CARTON UPPER	MFC-L8900CDW	FOR BRZ	
6	D00LS7001	1	CARTON UPPER	MFC-L8900CDW	FOR KOR	
6	D00HG9001	1	CARTON UPPER	MFC-L9570CDW	FOR USA/CAN	
6	D00HGA001	1	CARTON UPPER	MFC-L9570CDW	FOR GER/UK/SWI/RUS/PND/rgeU	
6	D00L64001	1	CARTON UPPER	MFC-L9570CDW	FOR BRZ	
6	D00JGN001	1	CARTON UPPER	MFC-L9570CDW	FOR GULF/ARL/NZ	
7	D00E3P001	1	CARTON LOWER	DCP-L8410CDW		
7	D00A6G001	1	CARTON LOWER	MFC-L8610CDW	FOR USA/CAN	
7	D00DAB001	1	CARTON LOWER	MFC-L8610CDW	FOR BRZ	
7	D00E3P001	1	CARTON LOWER	MFC-L8690CDW	FOR GER/UK/SWI/ITA/IBR/ASA/ RUS/FRA/BEL/NLD/PND/CEE	
7	D00E3Y001	1	CARTON LOWER	MFC-L8690CDW	FOR GULF	
7	D00A6G001	1	CARTON LOWER	MFC-L8690CDW	FOR ARL/NZ	
7	D009YD001	1	CARTON LOWER	MFC-L8900CDW	FOR USA/CAN	
7	D00E3V001	1	CARTON LOWER	MFC-L8900CDW	FOR GER/UK/ARL/SWI/TWN/ASA/ PND/rgeU	
7	D00DYS001	1	CARTON LOWER	MFC-L8900CDW	FOR CHN/BRZ/KOR	
7	D009ZT001	1	CARTON LOWER	MFC-L8900CDW	FOR ARG/CHL	
7	D00DYS001	1	CARTON LOWER	MFC-L9570CDW		
8	LY1679001	1	SILICA GEL		FOR GER/UK/SWI/ITA/IBR/RUS/ FRA/BEL/NLD/PND/CEE/ASA/ GULF/ARL/NZ/CHN/TWN/KOR/ rgeU	
8	LY1678001	1	SILICA GEL		FOR USA/CAN/BRZ/ARG/CHL	
(9)	D00MZ6001	1	CHINA ENERGY LABEL		FOR CHN	
(10)	D00MZ7001	1	CARTON LABEL		FOR TWN	

16.PERIODICAL MAINTENANCE PARTS



REF NO.	CODE	Q'TY	DESCRIPTION	MODEL	SPEC	REMARKS
1	D00LF5001	1	PF KIT 1			
2	LU4979001	1	PF KIT MP			