

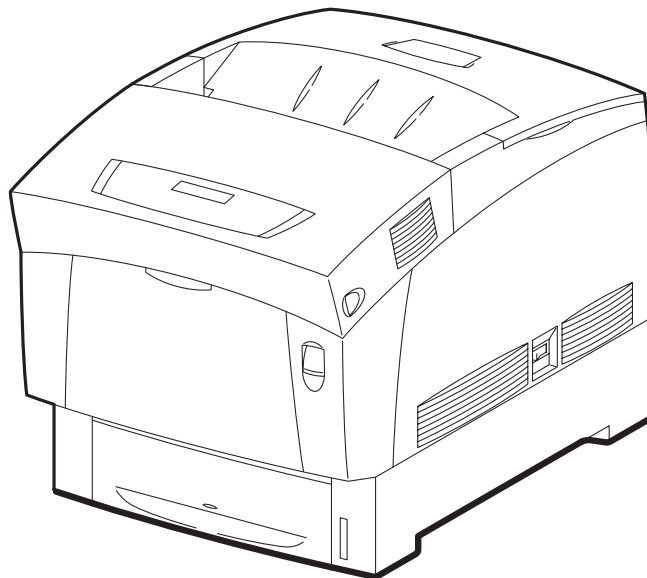


# Brother Laser Printer **PARTS REFERENCE LIST**

---

---

**MODEL: HL-4000CN**



Read this list thoroughly before maintenance work.

Keep this list in a convenient place for quick and easy reference at all times.

## NOTE FOR USING THIS PARTS REFERENCE LIST

1. In the case of ordering parts, it needs mentioning the following items:

- (1) Code
- (2) Q'ty
- (3) Description
- (4) Symbol ( PCB No., Revision , and Parts location mounted on the PCB.)

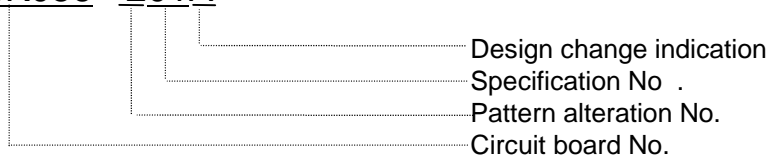
*Note : No orders without Parts Code or Tool No. can be accepted.*

< Example >

REF.NO.	CODE	Q'TY	DESCRIPTION	SYMBOL	REMARK

Revision No.: marked on the **main printed circuit board**.

**B48K056 - 201A**



Revision No.: marked on the **power supply PCB**.

**Rev. 0B**



2. Design-changed parts :

If the parts are changed, any one of the following symbols is indicated in the REMARKS column.

- #A : compatible between old and new
- #B : replaceable from old to new
- #D : incompatible
- # : newly established

3. The original of this list was made based on the information available in October, 2001.

4. Parts are subject to change in design without prior notice.

# CONTENTS

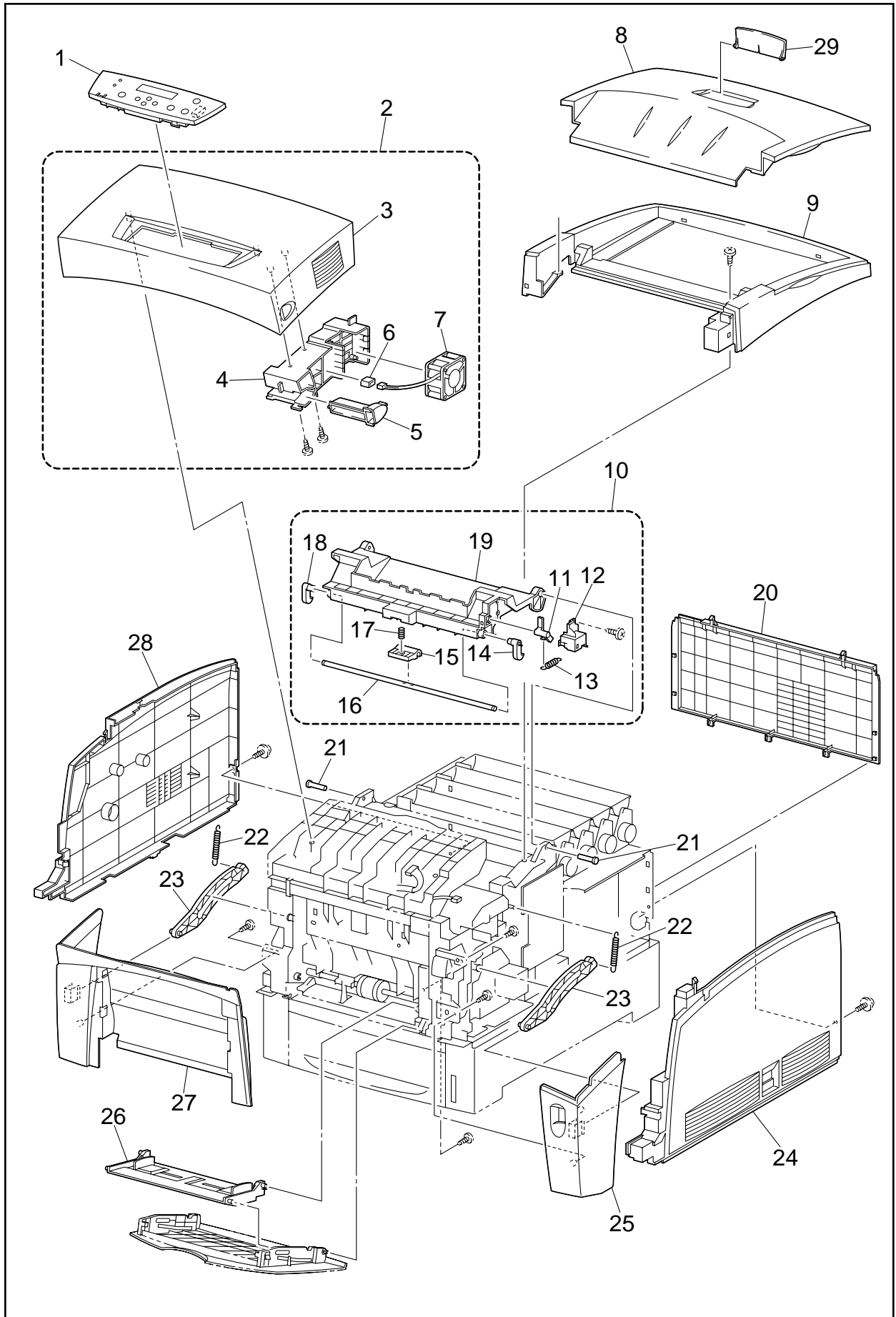
1. COVER .....	1
2. FRAME .....	3
3. PAPER FEEDER 1 .....	5
4. PAPER FEEDER 2 .....	7
5. PAPER FEEDER 3 .....	9
6. HOUSING ASSY RETARD .....	11
7. CHUTE ASSY IN .....	13
8. CHUTE ASSY OUT .....	15
9. CHUTE ASSY EXIT .....	17
10. TRANSFER ROLL CARTRIDGE ASSY & FUSER .....	19
11. SCANNER .....	21
12. TONER CARTRIDGE ASSY .....	23
13. FRAME & DRIVE .....	25
14. ELECTRICAL .....	27
15. HARNESS .....	29
16. KIT .....	31
17. PACKING .....	33
18. ACCESSORIES .....	35

1. COVER

REF.NO	CODE	Q'TY	DESCRIPTION	REMARK
1	LJ3986001	1	CONSOLE PANEL HL-4000	
2	LJ3987001	1	COVER ASSY FRONT HEAD	
3	LM0133001	1	COVER FRONT HEAD	
4	LM0134001	1	HOLDER LEVER OUT	
5	LM0135001	1	LEVER OUT	
6	LM0136001	1	CON.AMP 175694-3	
7	LM0137001	1	FAN FUSER	
8	LJ3988001	1	COVER ASSY TOP	
9	LM0138001	1	COVER TOP MAIN	
10	LJ3989001	1	COVER ASSY TOP PRINT HEAD CARTRIDGE	
11	LM0139001	1	CAM I/R	
12	LM0140001	1	COVER CAM	
13	LM0141001	1	SPRING CAM I/R	
14	LM0142001	1	LATCH TOP R	
15	LM0143001	1	HANDLE TOP	
16	LM0144001	1	SHAFT LATCH TOP	
17	LM0145001	1	SPRING HANDLE	
18	LM0146001	1	LATCH TOP L	
19	LM0147001	1	COVER TOP PRINT HEAD CARTRIDGE	
20	LM0148001	1	COVER REAR	
21	LM0149001	1	STUD TOP	
22	LJ3990001	1	SPRING LINK	
23	LM0150001	1	LINK	
24	LJ3991001	1	COVER SIDE R	
25	LJ3992001	1	COVER ASSY FRONT R	
26	LM0153001	1	TRAY ASSY BASE	
27	LJ3993001	1	COVER ASSY FRONT L	
28	LJ3994001	1	COVER SIDE L	
29	LJ3995001	1	COVER TOP STOPPER	

MODEL HL-4000CN 54S601

# 1. COVER



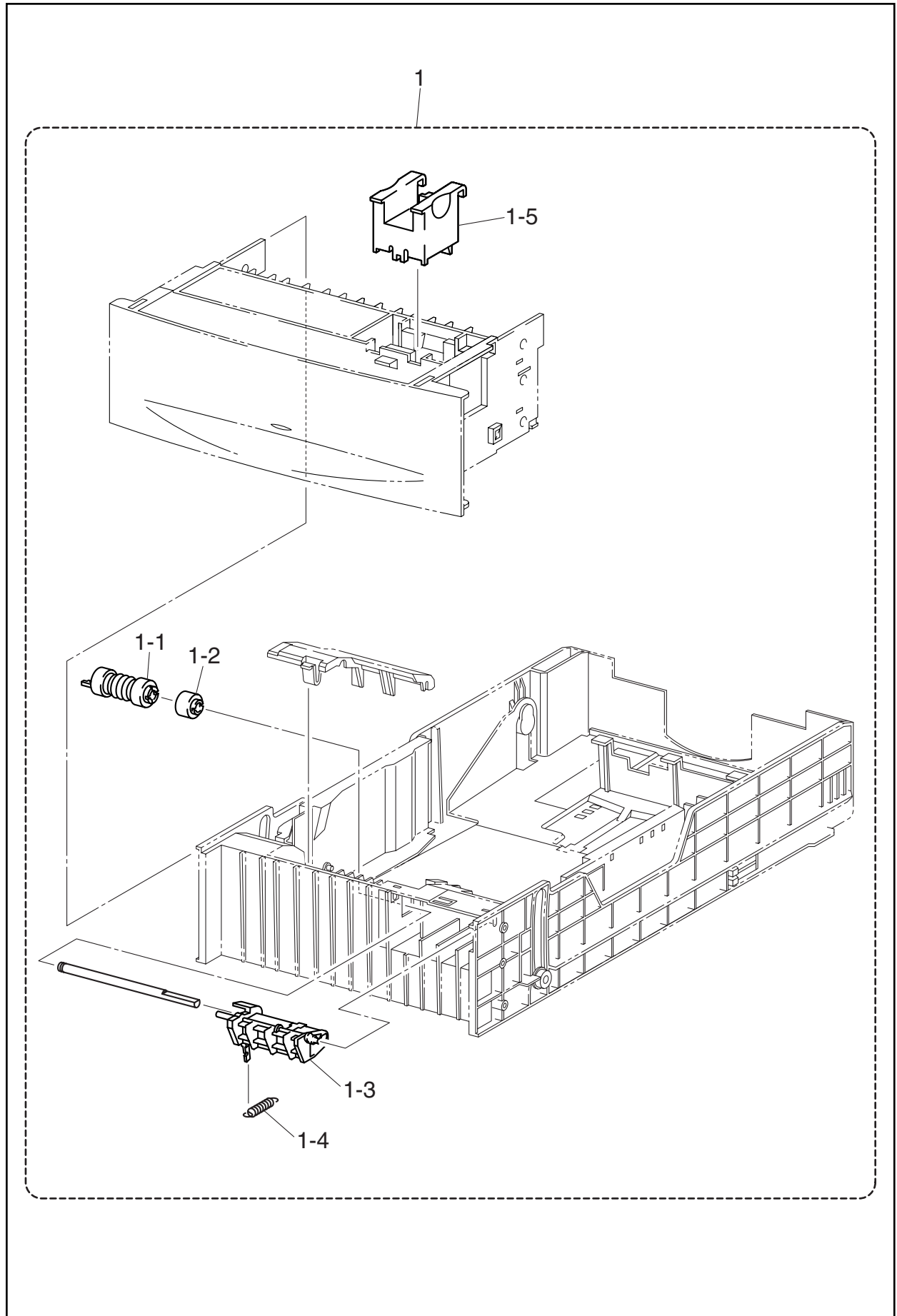
MODEL HL-4000CN 54S601

2. FRAME

REF.NO	CODE	Q'TY	DESCRIPTION	REMARK
1	LJ3997001	1	CASSETTE ASSY	
1-1	LJ3998001	1	ROLL ASSY	
1-2	LM0154001	1	CLUTCH ASSY FRICTION	
1-3	LM0155001	1	HOLDER RETARD	
1-4	LM0156001	1	SPRING RETARD	
1-5	LM0157001	1	A5 BLOCK	

MODEL HL-4000CN 54S601

## 2. FRAME



MODEL HL-4000CN 54S601

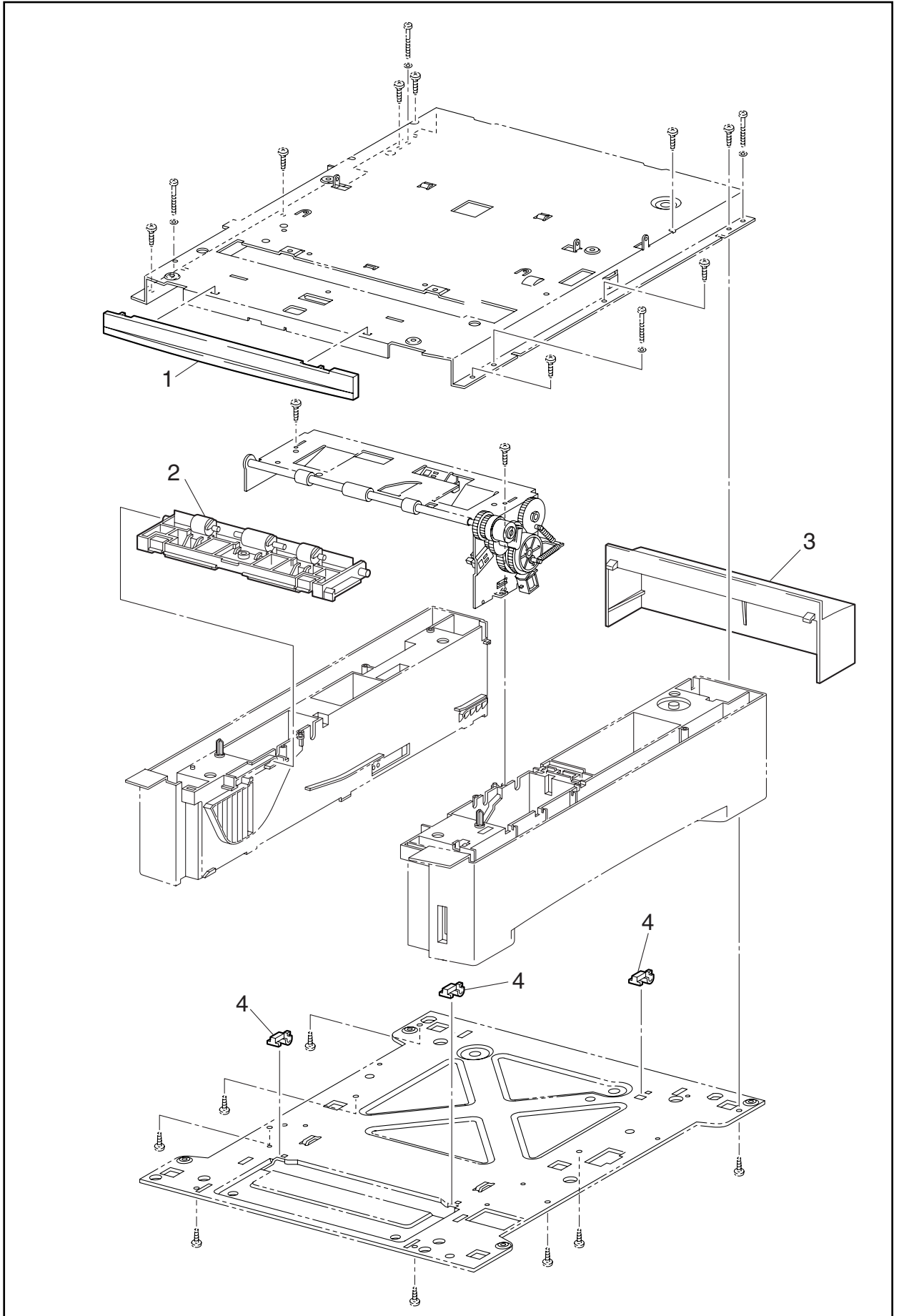
3. PAPER FEEDER 1

REF.NO	CODE	Q'TY	DESCRIPTION	REMARK
1	LJ3999001	1	COVER FDR FRONT	
2	LM0001001	1	CHUTE ASSY TURN	
3	LM0002001	1	COVER CASSETTE	
4	LM0158001	1	BLOCK	

MODEL HL-4000CN 54S601



### 3. PAPER FEEDER 1



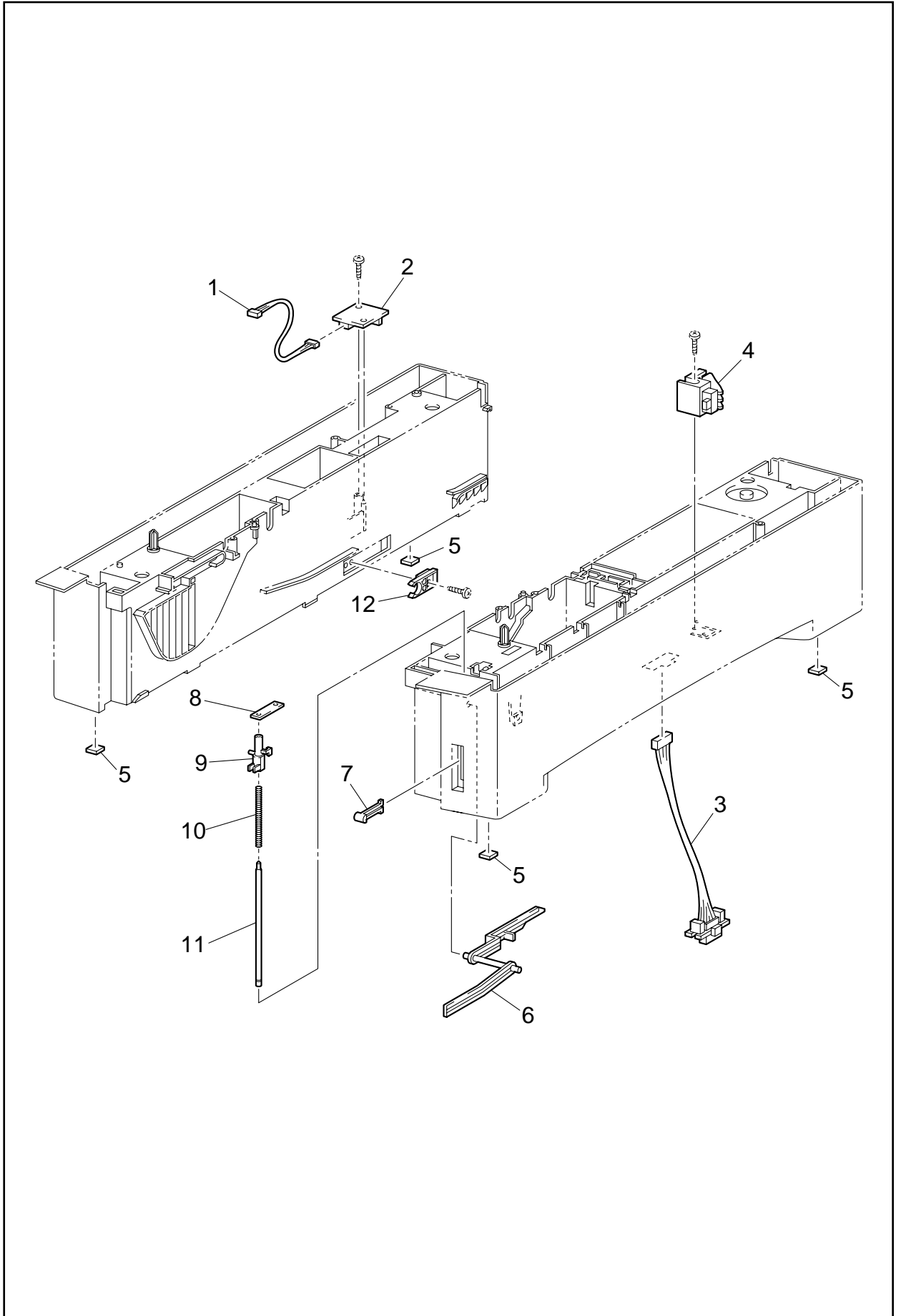
MODEL HL-4000CN 54S601

4. PAPER FEEDER 2

REF.NO	CODE	Q'TY	DESCRIPTION	REMARK
1	LM0159001	1	HARNES ASSY TMPA	
2	LM0003001	1	SENSOR HUM TEMP	
3	LM0160001	1	HARNES ASSY OPFREC	
4	LM0078001	1	SWITCH ASSY SIZE	
5	LM0161001	1	FOOT	
6	LM0004001	1	LEVER LOW PAPER	
7	LM0005001	1	INDICATOR	
8	LM0162001	1	HOLDER SHAFT INDICATOR	
9	LM0006001	1	GUIDE INDICATOR	
10	LM0163001	1	SPRING INDICATOR	
11	LM0164001	1	SHAFT INDICATOR	
12	LM0007001	1	STOPPER CST	

MODEL HL-4000CN 54S601

#### 4. PAPER FEEDER 2



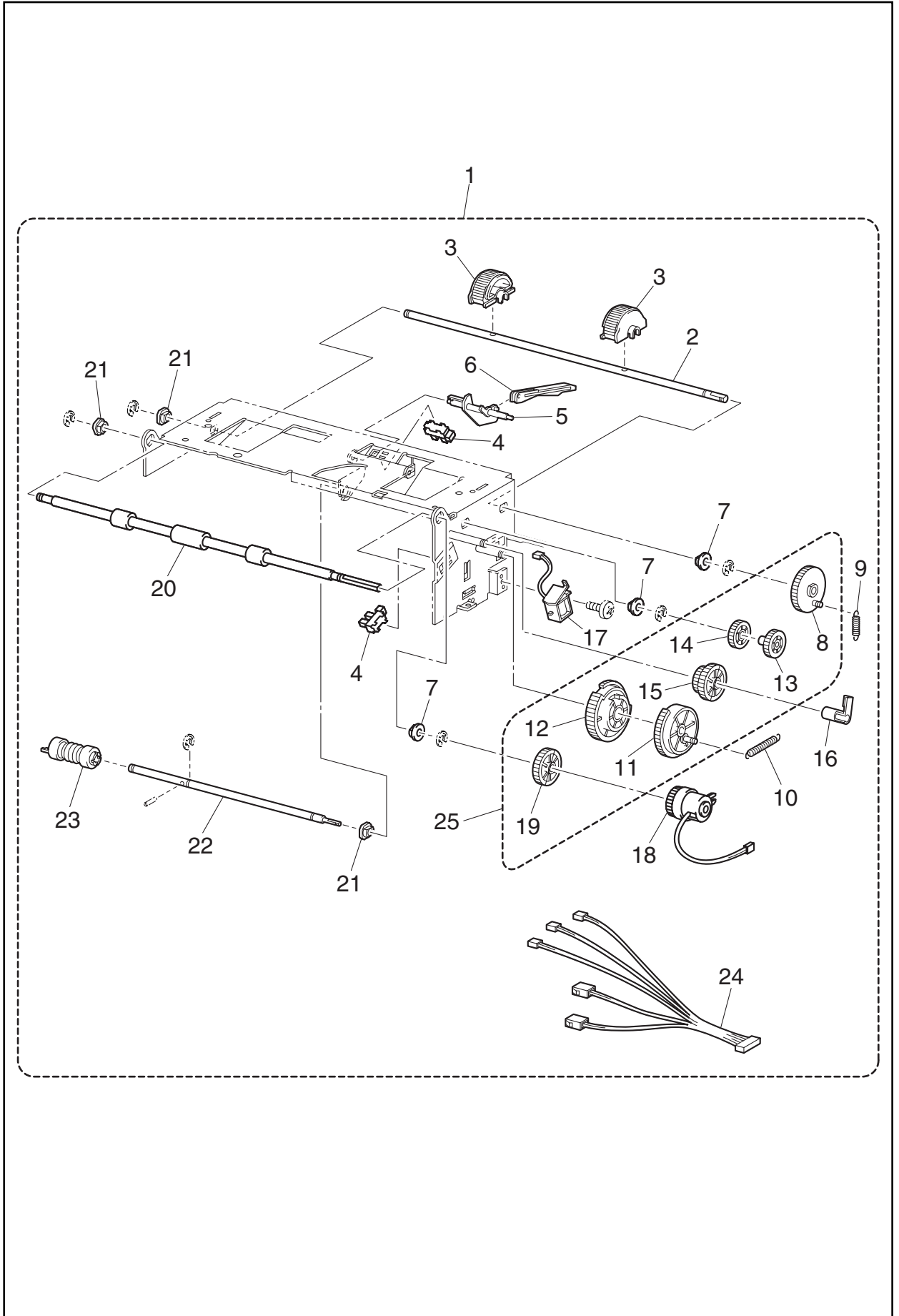
MODEL HL-4000CN 54S601

5.PAPER FEEDER 3

REF.NO	CODE	Q'TY	DESCRIPTION	REMARK
1	LM0008001	1	PICKUP ASSY	
2	LM0126001	1	SHAFT FEED 1	
3	LM0009001	1	ROLL ASSY FEED	
4	LM0010001	1	SENSOR PHOTO	
5	LM0011001	1	ACTUATOR NO PAPER	
6	LM0012001	1	LINK ACTUATOR	
7	LM0165001	1	BUSH(D6XL8)/METAL	
8	LM0166001	1	GEAR FEED 1	
9	LM0167001	1	SPRING FEED 1	
10	LM0168001	1	SPRING FEED H	
11	LM0169001	1	GEAR FEED H2	
12	LM0170001	1	GEAR FEED H1	
13	LM0171001	1	GEAR FEED 2	
14	LM0172001	1	GEAR IDLER FEED	
15	LM0173001	1	GEAR IDLER	
16	LM0174001	1	STOPPER CLUTCH	
17	LM0013001	1	SOLENOID FEED	
18	LM0014001	1	CLUTCH ASSY TURN	
19	LM0175001	1	GEAR IDLER IN	
20	LM0176001	1	ROLL ASSY TURN	
21	LM0177001	1	BUSH(D6XL8)/BLACK	
22	LM0178001	1	SHAFT FEED 2	
23	LJ3998001	1	ROLL ASSY	
24	LM0179001	1	HARNESS ASSY FEEDER	
25	LM0016001	1	KIT GEAR FDR	

MODEL HL-4000CN 54S601

## 5. PAPER FEEDER 3



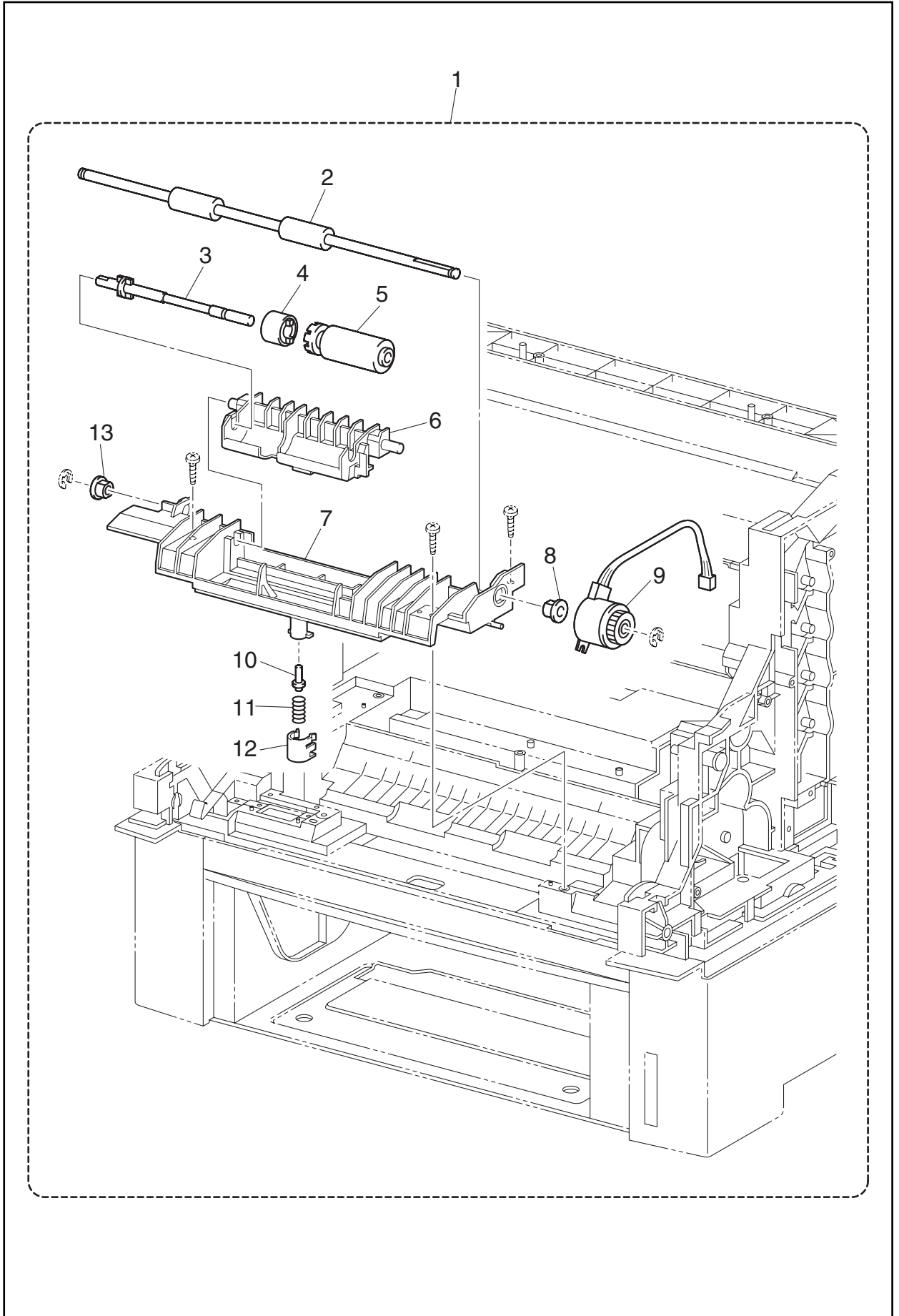
MODEL HL-4000CN 54S601

6. HOUSING ASSY RETARD

REF.NO	CODE	Q'TY	DESCRIPTION	SYMBOL	REMARK
1	LM0017001	1	HOUSING ASSY RETARD		
2	LM0180001	1	ROLL TURN		
3	LM0181001	1	SHAFT RTD		
4	LM0182001	1	CLUTCH ASSY FRICTION		
5	LM0018001	1	ROLL ASSY RETARD		
6	LM0183001	1	HOLDER RATARD		
7	LM0184001	1	HOUSING RETARD		
8	LM0185001	1	BUSH		
9	LM0186001	1	CLUTCH TURN		
10	LM0187001	1	STUD RETURN		
11	LM0188001	1	SPRING RETARD 370		
12	LM0189001	1	CAP RETARD		
13	LM0190001	1	BUSH EARTH		

MODEL HL-4000CN 54S601

## 6. HOUSING ASSY RETARD



MODEL HL-4000CN 54S601

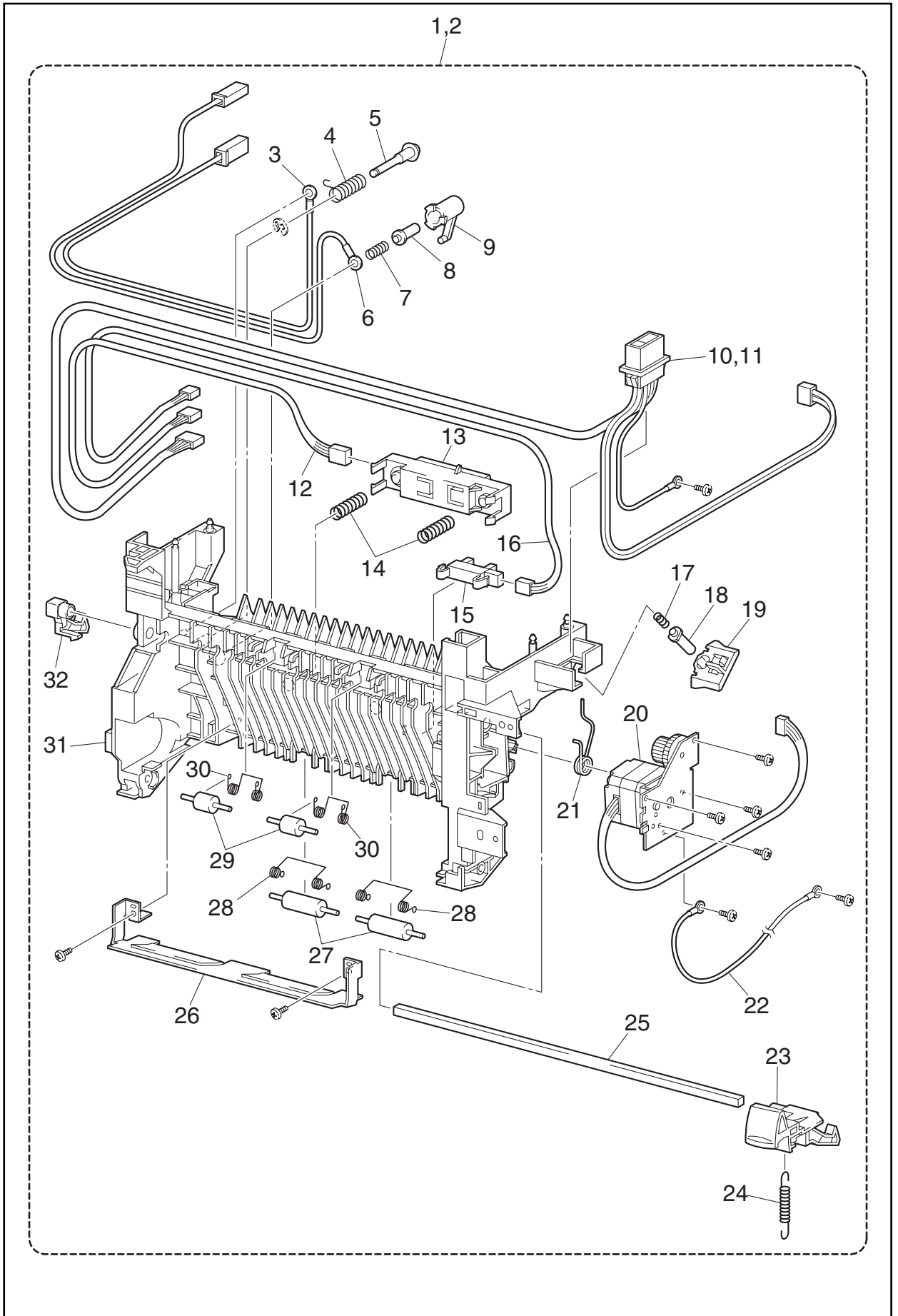
7. CHUTE ASSY IN

REF.NO	CODE	Q'TY	DESCRIPTION	REMARK
1	LM0019001	1	CHUTE ASSY IN 120V	
2	LM0020001	1	CHUTE ASSY IN 220V	
3	LM0191001	1	WIRE ASSY TRANSFER ROLL CARTRIDGE 2	
4	LM0192001	1	SPRING TRANSFER ROLL CARTRIDGE R2	
5	LM0193001	1	SHAFT TRANSFER ROLL CARTRIDGE IN	
6	LM0194001	1	WIRE ASSY DISK	
7	LM0195001	1	SPRING DTC 0.2	
8	LM0196001	1	STUD TRANSFER ROLL CARTRIDGE	
9	LM0197001	1	HOLDER SPRING TRANSFER ROLL CARTRIDGE	
10	LM0198001	1	HARNESS ASSY FSR2 120V	
11	LM0199001	1	HARNESS ASSY FSR22 220V	
12	LM0200001	1	HARNESS ASSY CTD	
13	LM0021001	1	HOLDER ASSY CTD	
14	LM0201001	1	SPRING ADC	
15	LM0022001	1	SENSOR TNR FULL	
16	LM0202001	1	HARNESS ASSY TFLSNS	
17	LM0203001	1	SPRING IDT 3KGF	
18	LM0204001	1	STUD IDT	
19	LM0205001	1	HOLDER IDT	
20	LM0023001	1	FUSER DRIVE ASSY	
21	LM0206001	1	SPRING TRANSFER ROLL CARTRIDGE L 1.5	
22	LM0207001	1	WIRE ASSY FSR EARTH	
23	LM0024001	1	LATCH R	
24	LM0208001	1	SPRING LATCH 1.2KGF	
25	LM0209001	1	SHAFT LATCH	
26	LM0210001	1	PLATE IN T/R	
27	LM0211001	1	ROLL PINCH TURN	
28	LM0212001	1	SPRING PINCH TURN 375	
29	LM0213001	1	ROLL PINCH DUP	
30	LM0214001	1	SPRING PINCH DUP	
31	LM0215001	1	CHUTE DUP IN	
32	LM0025001	1	LATCH L	

MODEL HL-4000CN 54S601



7. CHUTE ASSY IN



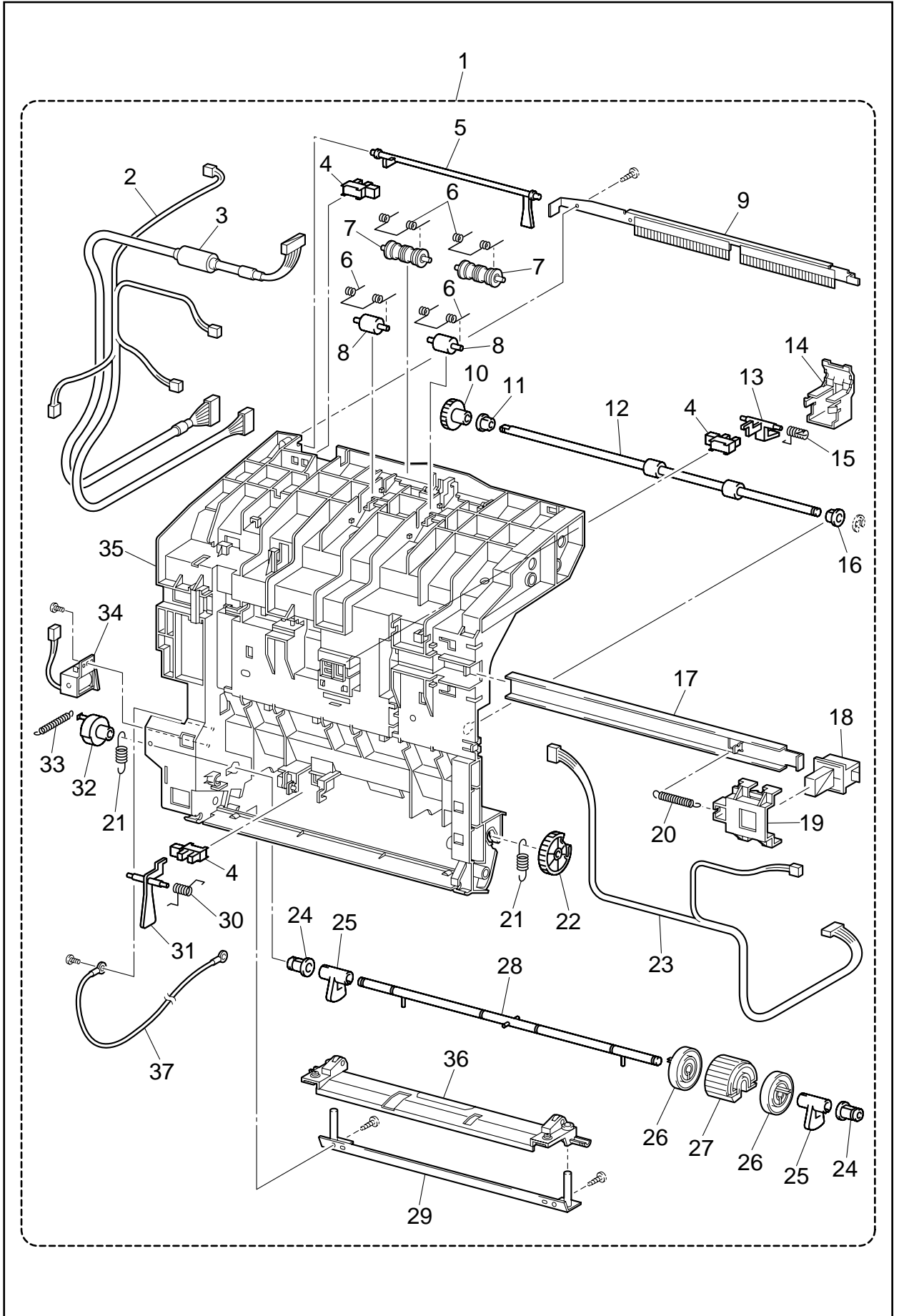
MODEL HL-4000CN 54S601

8. CHUTE ASSY OUT

REF.NO	CODE	Q'TY	DESCRIPTION	SYMBOL	REMARK
1	LM0026001	1	CHUTE ASSY OUT		
2	LM0216001	1	HARNESS ASSY FRONT 2		
3	LM0217001	1	HARNESS ASSY OPEPANE BS		
4	LM0027001	1	SENSOR PHOTO		
5	LM0028001	1	ACTUATOR FULL		
6	LM0218001	1	SPRING PINCH EXIT		
7	LM0219001	1	ROLL PINCH EXIT		
8	LM0220001	1	ROLL PINCH		
9	LM0221001	1	BRACKET ASSY ELIMINATOR		
10	LM0222001	1	GEAR 30		
11	LM0190001	1	BUSH EARTH		
12	LM0223001	1	ROLL DUP		
13	LM0029001	1	ACTUATOR DUP		
14	LM0030001	1	COVER ACTUATOR		
15	LM0224001	1	SPRING SNR DUP		
16	LM0225001	1	BUSH		
17	LM0226001	1	PLATE LATCH		
18	LM0227001	1	LACHT OUT		
19	LM0228001	1	HOLDER LATCH		
20	LM0229001	1	SPRING LATCH OUT		
21	LM0230001	1	SPRING N/F MSI 250GF		
22	LM0031001	1	GEAR MSI		
23	LM0231001	1	HARNESS ASSY DUP		
24	LM0232001	1	BUSH MSI		
25	LM0233001	1	CAM MSI		
26	LM0032001	1	ROLL CORE MSI		
27	LM0234001	1	ROLL ASSY FEED		
28	LM0235001	1	SHAFT MSI		
29	LM0236001	1	PLATE OUT MSI		
30	LM0033001	1	SPRING SENSOR MSI		
31	LM0034001	1	ACTUATOR MSI		
32	LM0237001	1	STOPPER SOL		
33	LM0238001	1	SPRING SOL 0.5		
34	LM0035001	1	SOLENOID FEED MSI		
35	LM0239001	1	CHUTE DUP OUT		
36	LM0240001	1	PLATE ASSY BOTTOM MSI		
37	LM0241001	1	WIRE ASSY DUP EARTH		

MODEL HL-4000CN 54S601

8. CHUTE ASSY OUT



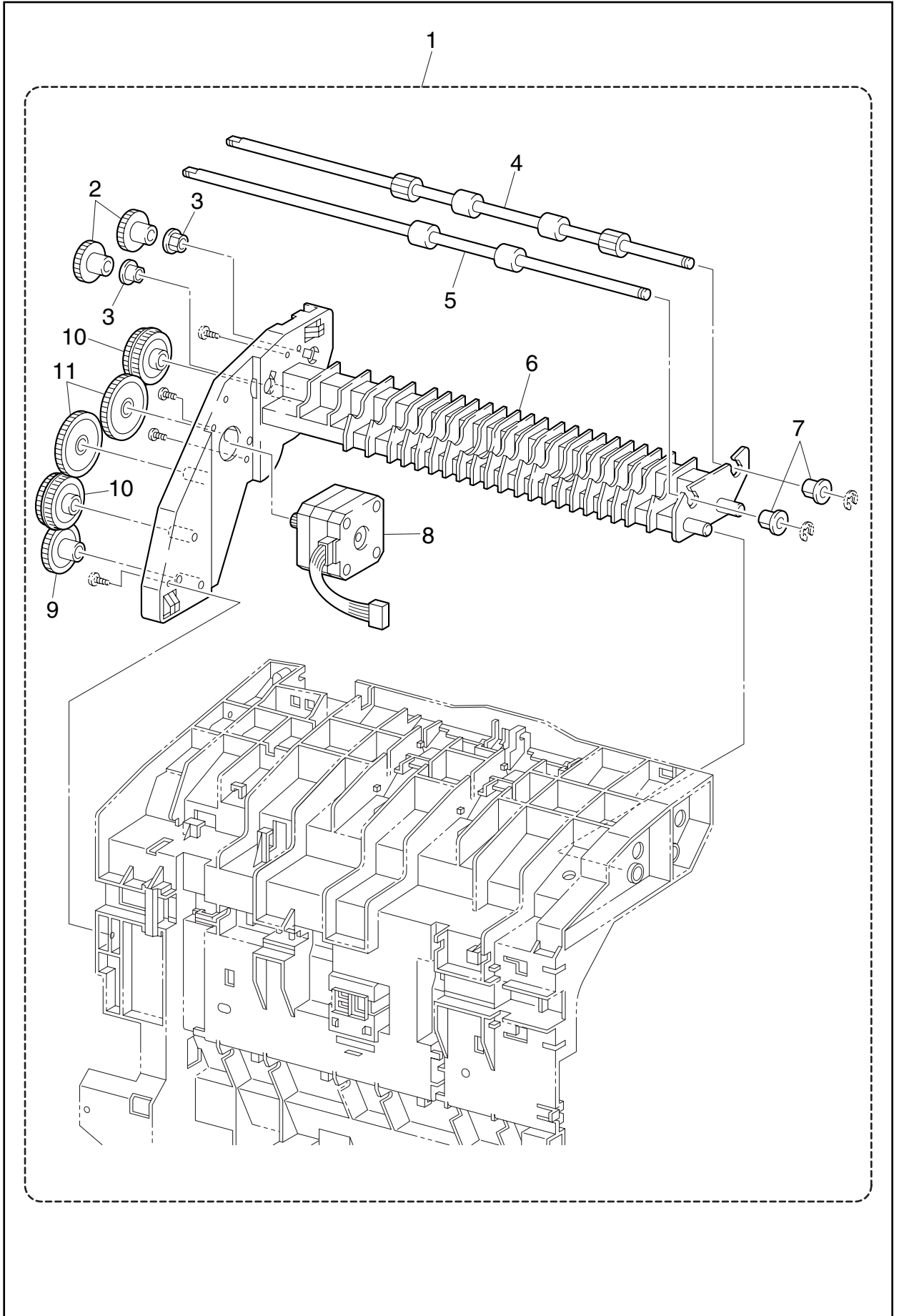
MODEL HL-4000CN 54S601

9. CHUTE ASSY EXIT

REF.NO	CODE	Q'TY	DESCRIPTION	SYMBOL	REMARK
1	LM0036001	1	CHUTE ASSY EXIT		
2	LM0242001	1	GEAR ROLL		
3	LM0190001	1	BUSH EARTH		
4	LM0243001	1	ROLL EXIT		
5	LM0244001	1	ROLL MID		
6	LM0245001	1	CHUTE EXIT LOWER		
7	LM0185001	1	BUSH		
8	LM0037001	1	MOTOR ASSY DUP		
9	LM0246001	1	GEAR 42		
10	LM0247001	1	GEAR 40/42		
11	LM0248001	1	GEAR 48		

MODEL HL-4000CN 54S601

9. CHUTE ASSY EXIT



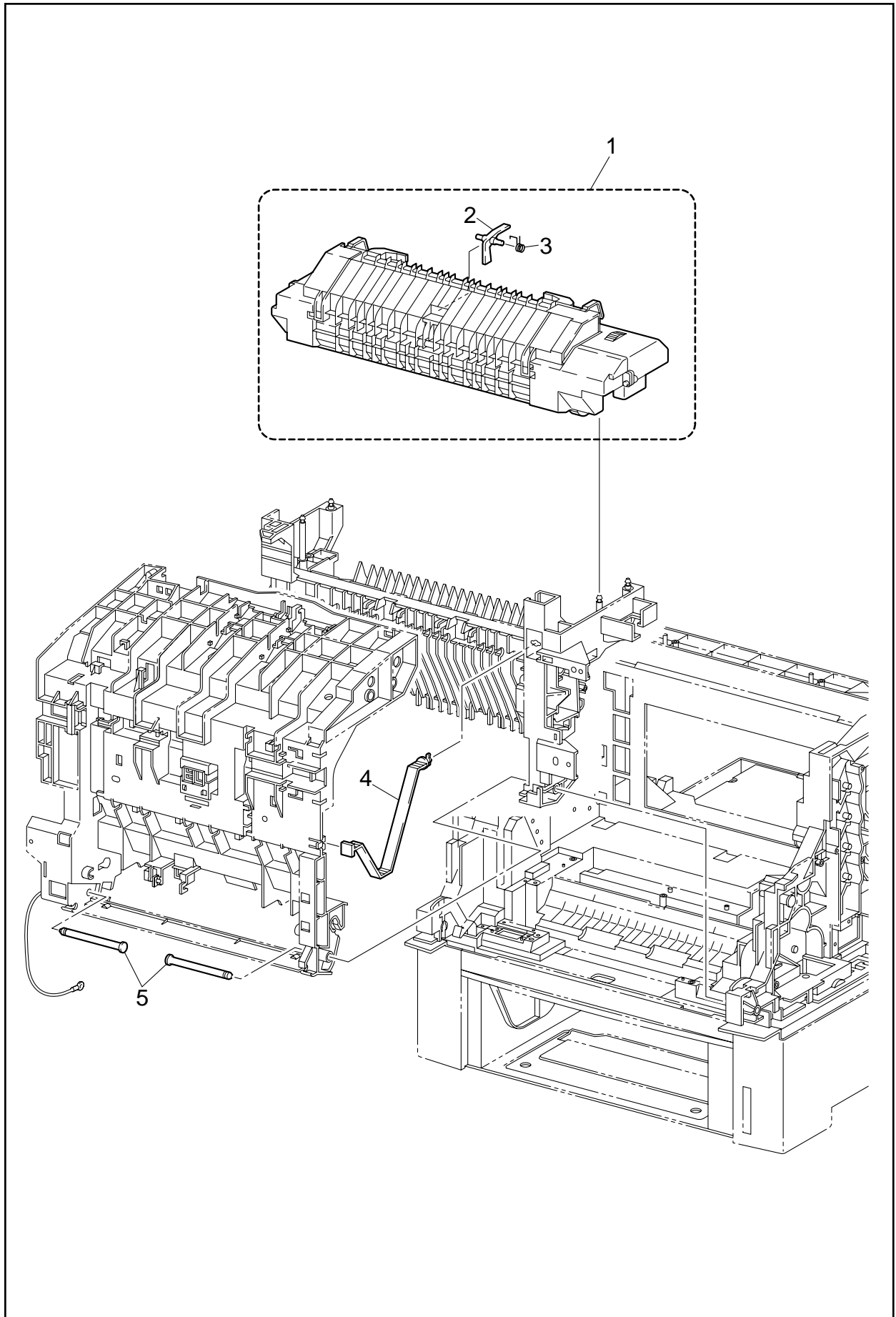
MODEL HL-4000CN 54S601

10. TRANSFER ROLL CARTRIDGE ASSY & FUSER

REF.NO	CODE	Q'TY	DESCRIPTION	SYMBOL	REMARK
1	LM0039001	1	FUSER ASSY 120V		
1	LM0040001	1	FUSER ASSY 220V		
2	LM0041001	1	ACTUATOR EXIT		
3	LM0042001	1	SPRING ACTUATOR		
4	LM0249001	1	STRAP		
5	LM0251001	1	SHAFT PIVOT		

MODEL HL-4000CN 54S601

10. TRANSFER ROLL CARTRIDGE ASSY & FUSER



MODEL HL-4000CN 54S601

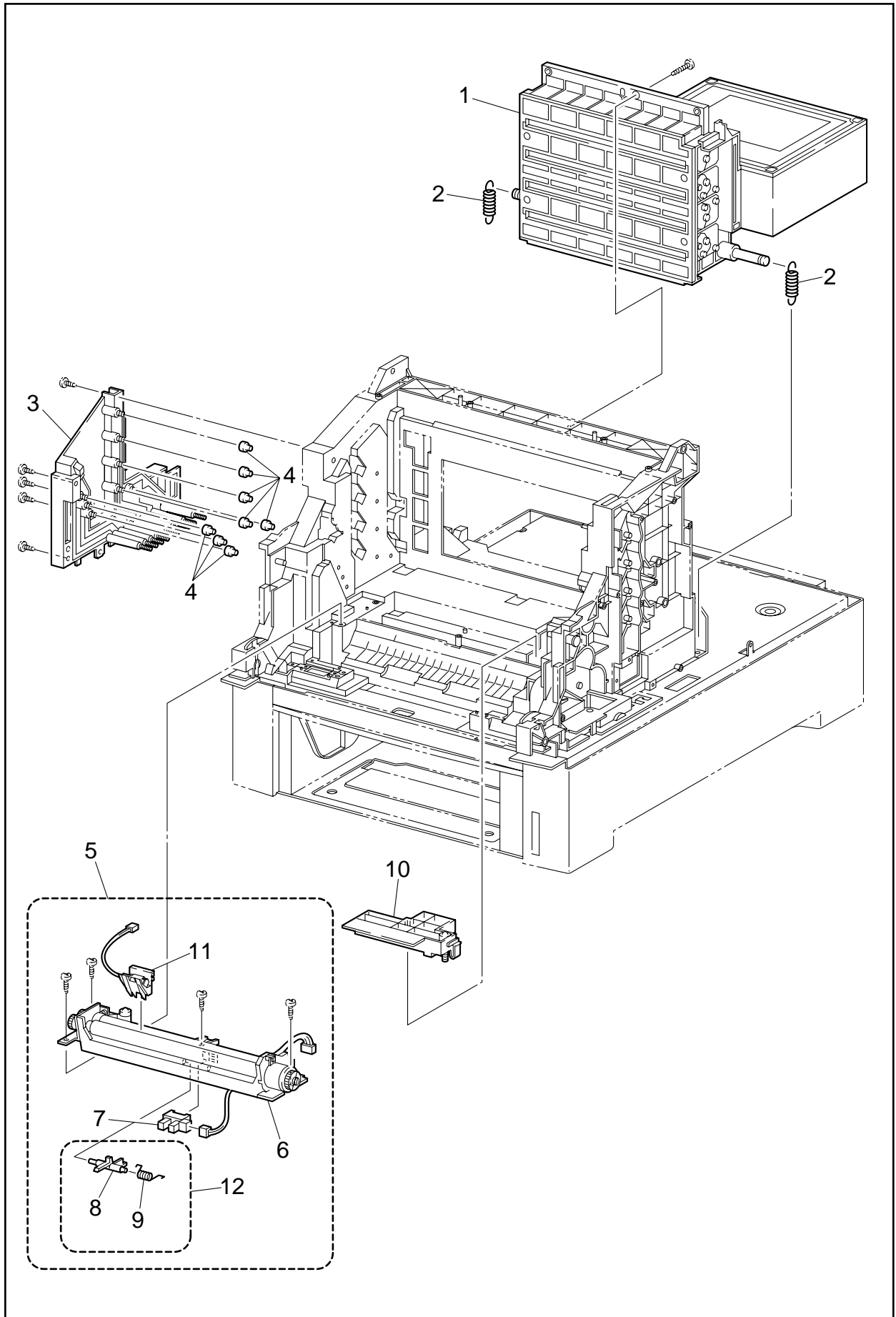
11. SCANNER

REF.NO	CODE	Q'TY	DESCRIPTION	SYMBOL	REMARK
1	LM0043001	1	SCANNER ASSY		
2	LM0256001	1	SPRING SCANNER (18N)		
3	LM0044001	1	HSG ASSY BIAS		
4	LM0257001	1	STUD PLUNGER		
5	LM0045001	1	CHUTE ASSY REGI SNR OHP		
6	LM0258001	1	CHUTE REGI		
7	LM0027001	1	SENSOR PHOTO		
8	LM0259001	1	ACTUATOR REGI		
9	LM0260001	1	SPRING SENSOR REGI		
10	LM0261001	1	HOUSING ASSY ELEC		
11	LM0262001	1	KIT OHP SENSOR WITH HARNESS		
12	LM0297001	1	KIT ACTUATOR AND SPRING		

MODEL HL-4000CN 54S601



# 11. SCANNER



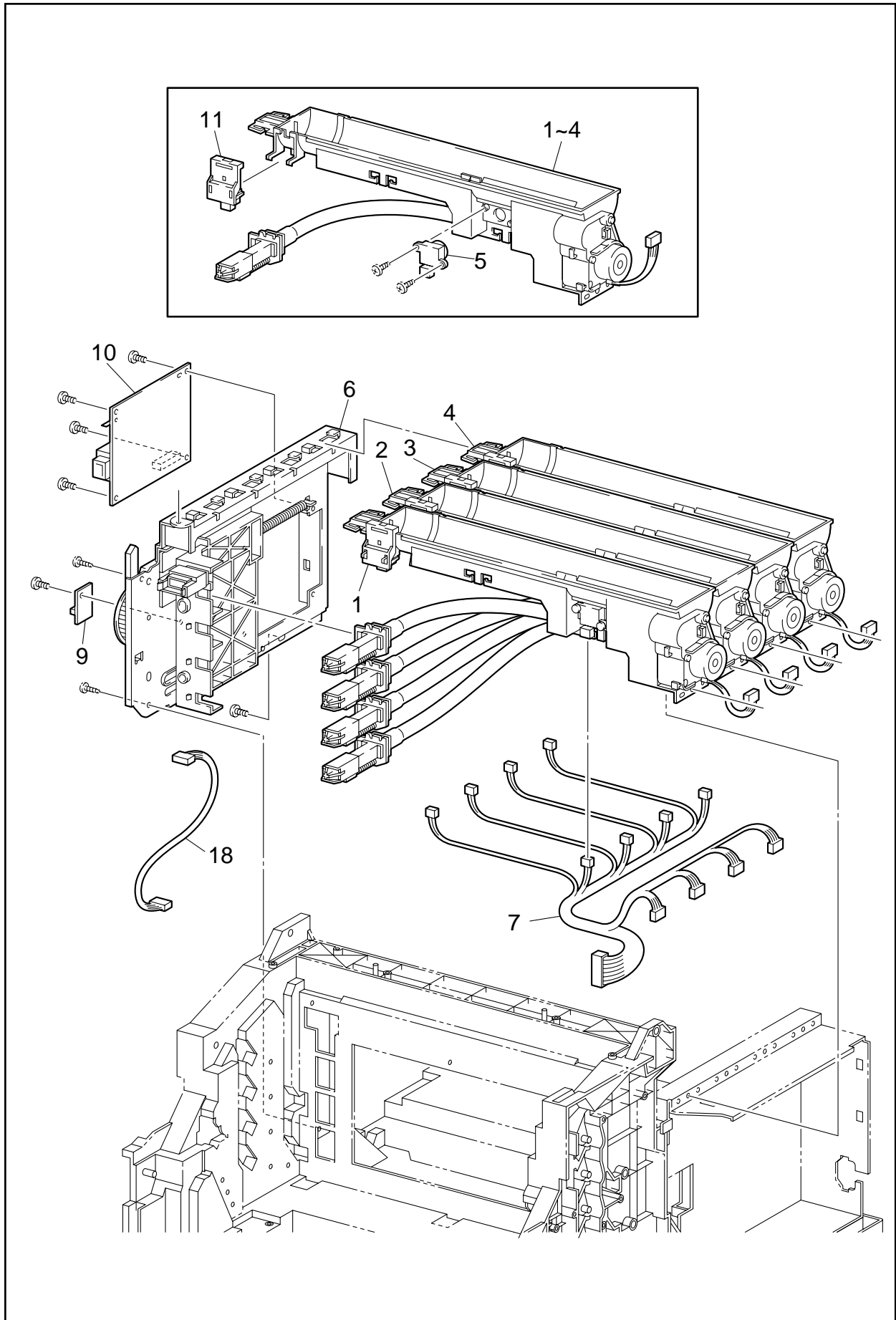
MODEL HL-4000CN 54S601

12. TONER CARTRIDGE ASSY

REF.NO	CODE	Q'TY	DESCRIPTION	SYMBOL	REMARK
1	LM0046001	1	HOLDER TONER CARTRIDGE ASSY Y		
2	LM0047001	1	HOLDER TONER CARTRIDGE ASSY M		
3	LM0048001	1	HOLDER TONER CARTRIDGE ASSY C		
4	LM0049001	1	HOLDER TONER CARTRIDGE ASSY K		
5	LM0050001	1	SENSOR TONER LOW		
6	LM0051001	1	PLATE ASSY DISPENSER L		
7	LM0263001	1	HARNESS ASSY TNR		
8	LM0264001	1	HARNESS ASSY CRUM		
9	LM0265001	1	PWBA EEPROM		
10	LM0052001	1	S-HVPS		
11	LM0053001	1	SWITCH TONER CARTRIDGE ASSY		

MODEL HL-4000CN 54S601

## 12. TONER CARTRIDGE ASSY



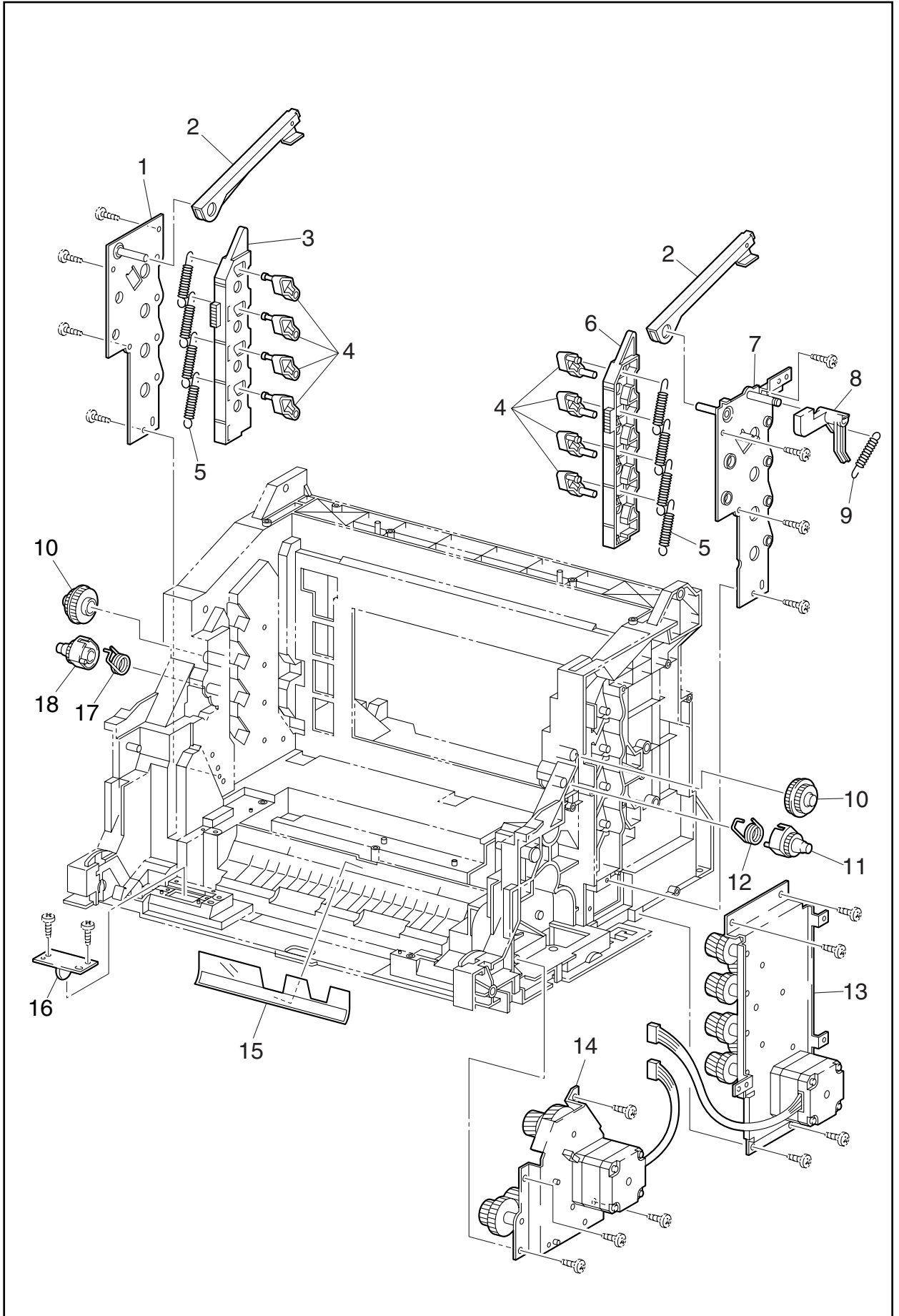
MODEL HL-4000CN 54S601

13. FRAME & DRIVE

REF.NO	CODE	Q'TY	DESCRIPTION	SYMBOL	REMARK
1	LM0266001	1	PLATE LEVER L		
2	LM0054001	1	BRACKET LEVER		
3	LM0055001	1	LINK LEVER L		
4	LM0056001	1	LEVER DRUM		
5	LM0057001	1	SPRING LEVER 30N		
6	LM0267001	1	LINK LEVER R		
7	LM0268001	1	PLATE LEVER R		
8	LM0058001	1	ACTUATOR I/L		
9	LM0269001	1	SPRING I/L		
10	LM0059001	1	GEAR IDL.PRESS		
11	LM0060001	1	GEAR PRESS R		
12	LM0061001	1	SPRING IDT R		
13	LM0062001	1	DRIVE ASSY DEVE		
14	LM0063001	1	DRIVE ASSY MAIN		
15	LM0064001	1	FILM REGI		
16	LM0270001	1	PWBA ASSY EARTH		
17	LM0065001	1	SPRING IDT L		
18	LM0066001	1	GEAR PRESS L		

MODEL HL-4000CN 54S601

13. FRAME & DRIVE



MODEL HL-4000CN 54S601

14. ELECTRICAL

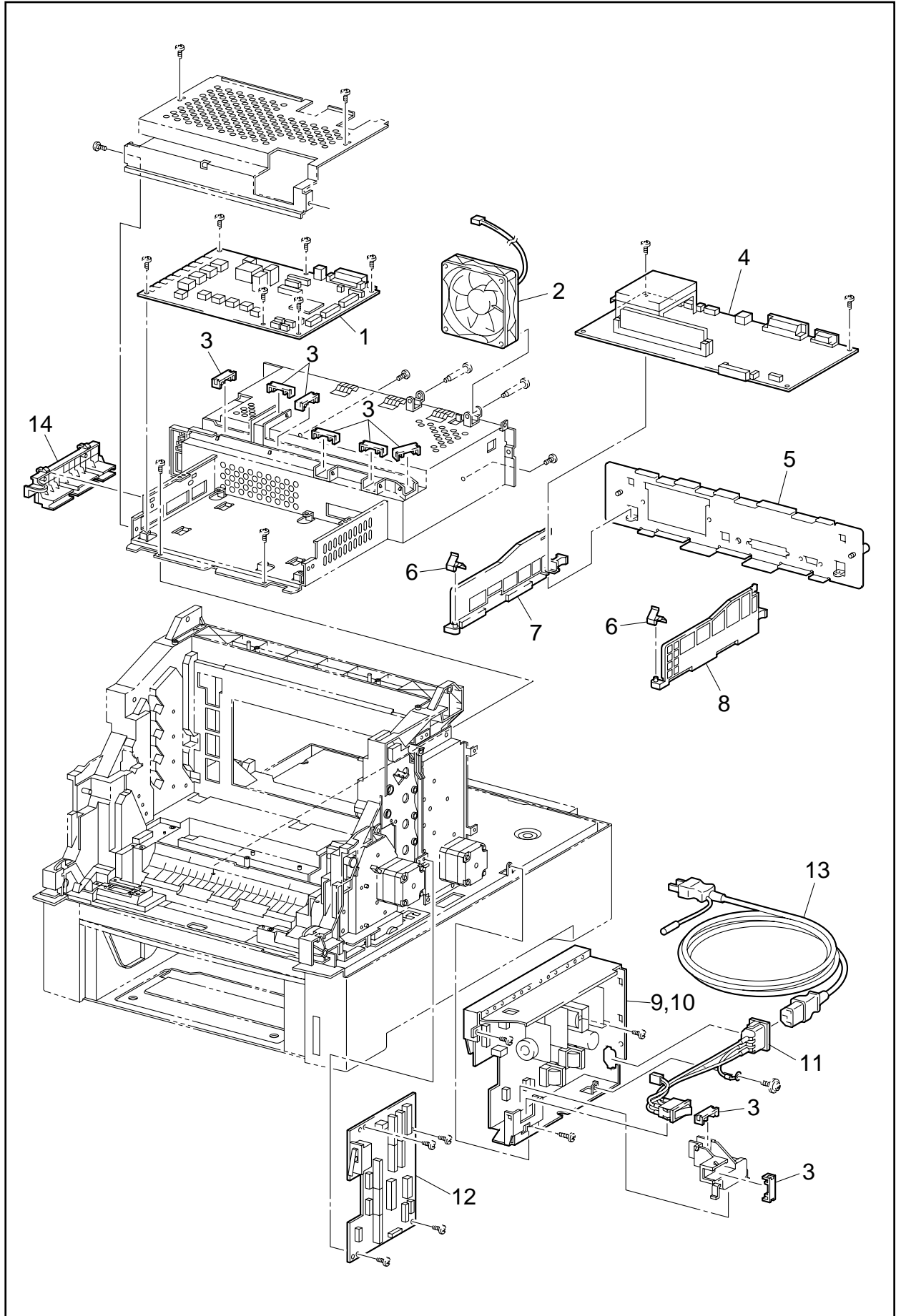
PR2002066

REF.NO	CODE	Q'TY	DESCRIPTION	SYMBOL	REMARK
1	LJ8951001	1	PKG SERVICE MCU HL-4000		
2	LM0067001	1	FAN REAR		
3	LM0271001	1	CALMP GUIDE HARNESS		
4	LJ8952001	1	CONTROLLER BOARD PS 220V		NAME CHNG ADD
4	LJ9142001	1	CONTROLLER BOARD PS 110V		
5	LM0068001	1	PLATE REAR ESS		
6	LM0272001	1	SPRING EARTH ESS		
7	LM0273001	1	GUIDE R ESS		
8	LM0274001	1	GUIDE L ESS		
9	LJ8953001	1	LVPS 120V		
10	LJ8954001	1	LVPS 230V		
11	LM0275001	1	HARNESS ASSY AC SW		
12	LM0069001	1	PWBA HNB DRV		
13	LM0276001	1	POWER CORD 120V		
14	LM0277001	1	HOUSING ASSY CONTACT		

MODEL HL-4000CN 54S601

T/I NO. PR2002066

# 14. ELECTRICAL



MODEL HL-4000CN 54S601

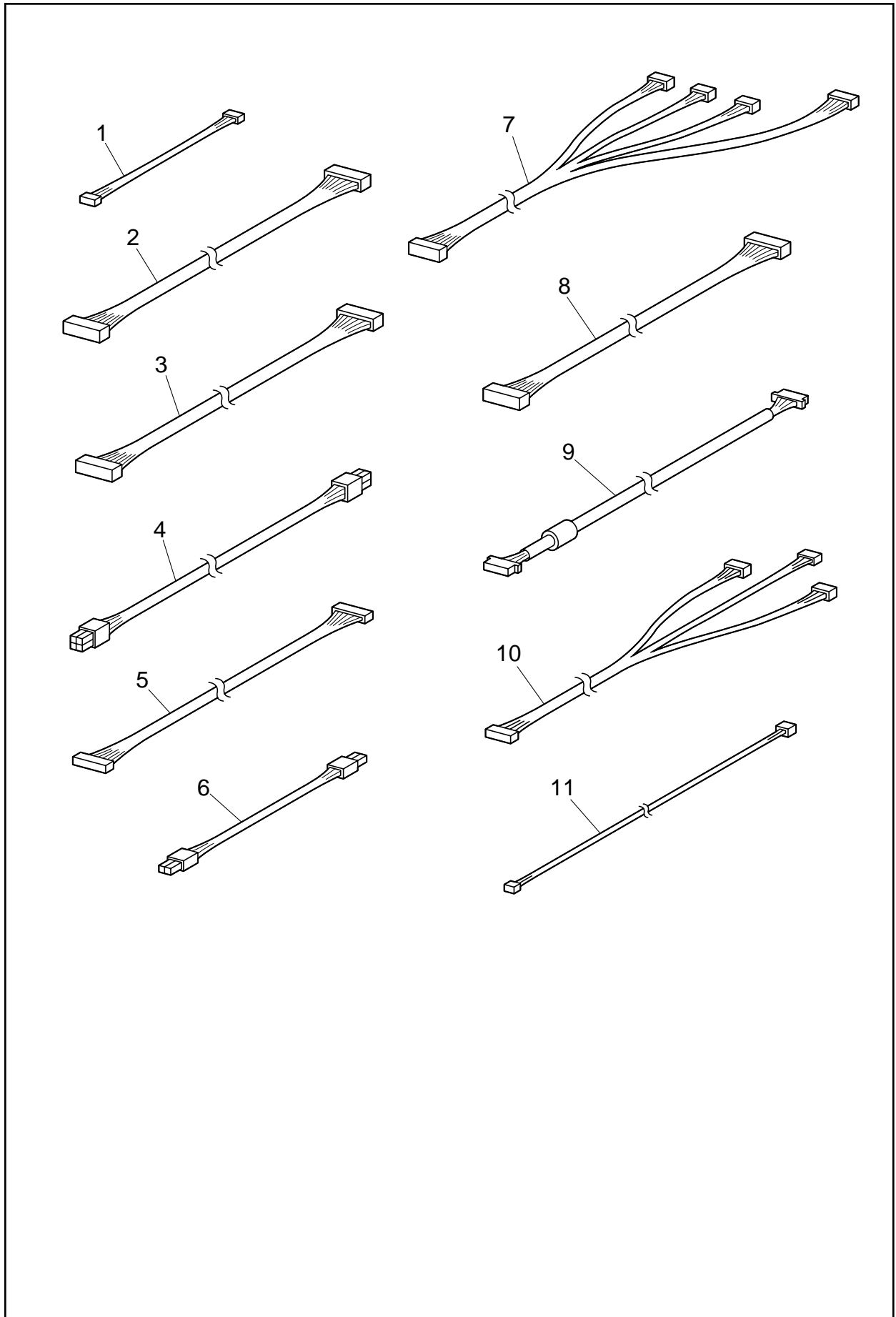
15. HARNESS

REF.NO	CODE	Q'TY	DESCRIPTION	SYMBOL	REMARK
1	LM0279001	1	HARNESS ASSY LVNC		
2	LM0280001	1	HARNESS ASSY DRV 1		
3	LM0281001	1	HARNESS ASSY DRV 2		
4	LM0282001	1	HARNESS ASSY LVRPG		
5	LM0283001	1	HARNESS ASSY ROSKA		
6	LM0284001	1	HARNESS ASSY 24V		
7	LM0285001	1	HARNESS ASSY FRONT 1A		
8	LM0286001	1	HARNESS ASSY OPF MAIN		
9	LM0070001	1	HARNESS ASSY OPEPANE AS		
10	LM0287001	1	HARNESS ASSY EEPROM		
11	LM0288001	1	HARNESS ASSY TMPB		

MODEL HL-4000CN 54S601



15. HARNESS



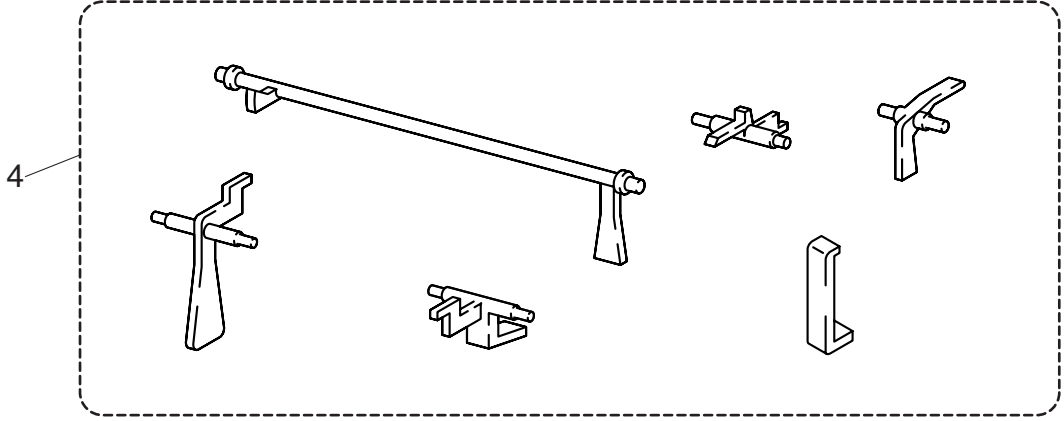
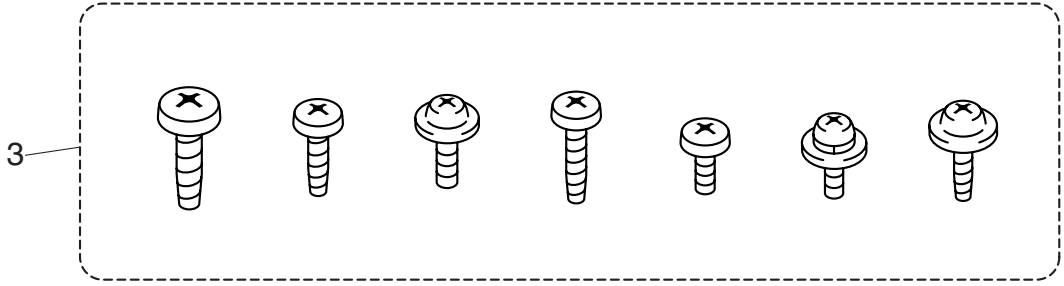
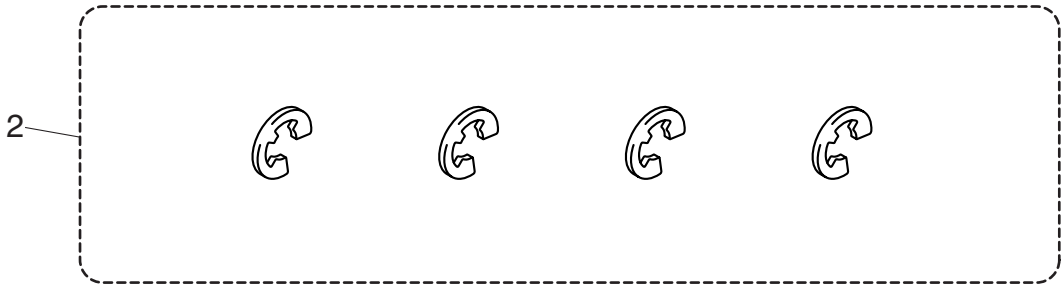
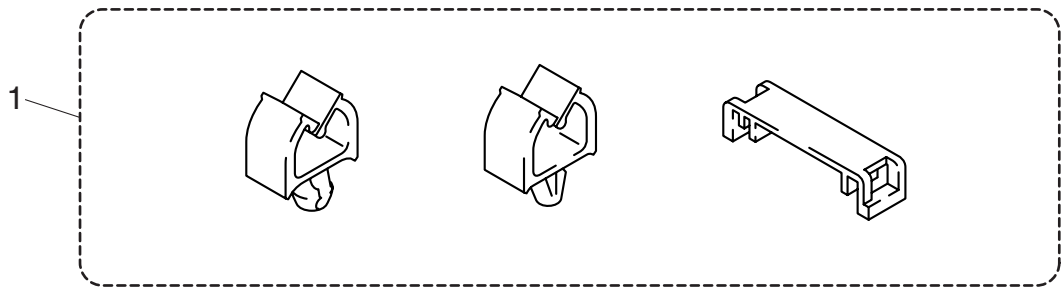
MODEL HL-4000CN 54S601

16. KIT

REF.NO	CODE	Q'TY	DESCRIPTION	SYMBOL	REMARK
1	LM0289001	1	KIT CLAMP		
2	LM0290001	1	KIT E RING		
3	LM0291001	1	HARDWARE KIT		
4	LM0296001	1	HL-4000 ACTUATOR KIT		

MODEL HL-4000CN 54S601

16. KIT



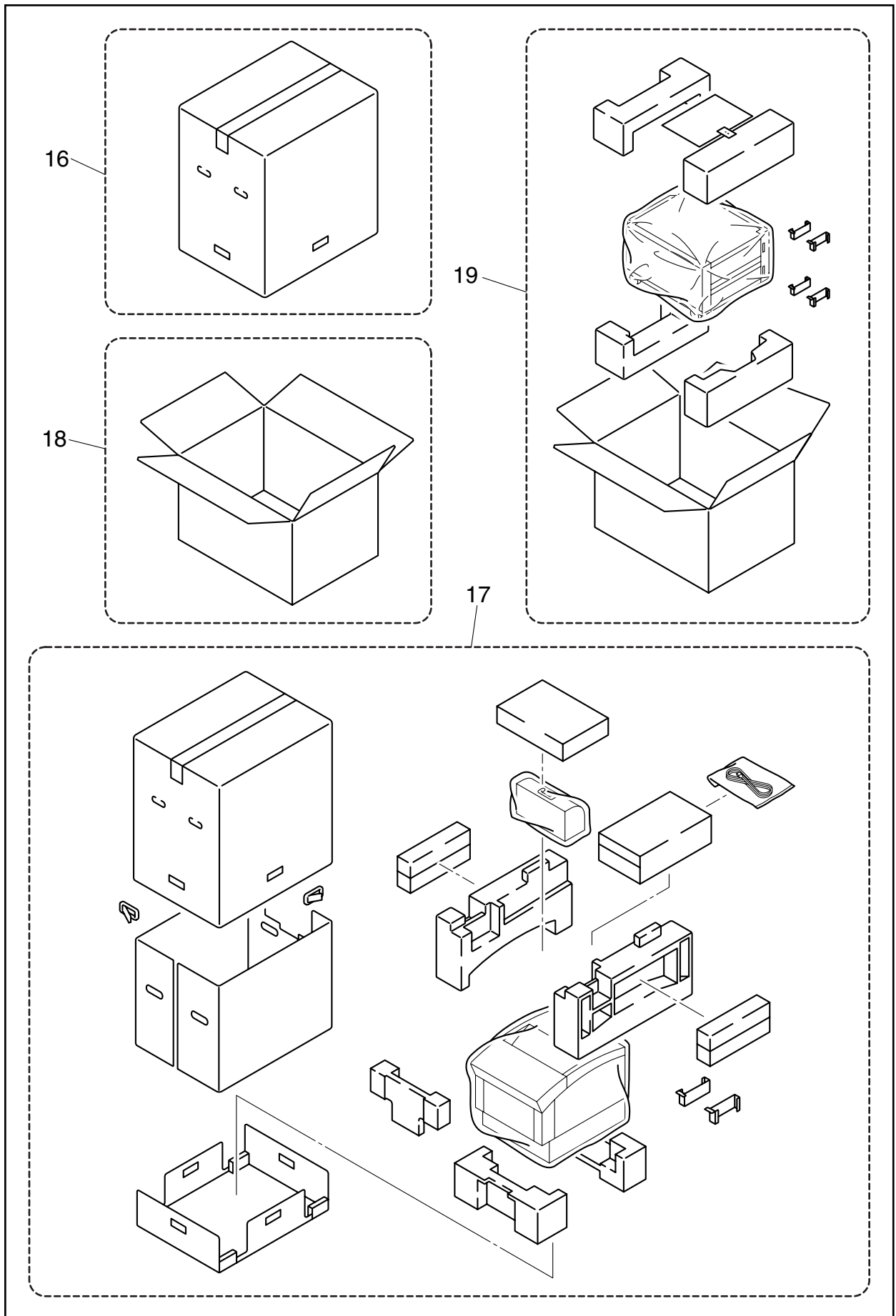
MODEL HL-4000CN 54S601

17. PACKING

REF.NO	CODE	Q'TY	DESCRIPTION	SYMBOL	REMARK
1	LM0292001	1	KIT REPACK BOX IOT		
2	LM0293001	1	KIT REPACK BOX FDR		
3	LM0294001	1	KIT PACKING IOT		
4	LM0295001	1	KIT PACKIN FDR		

MODEL HL-4000CN 54S601

17. PACKING



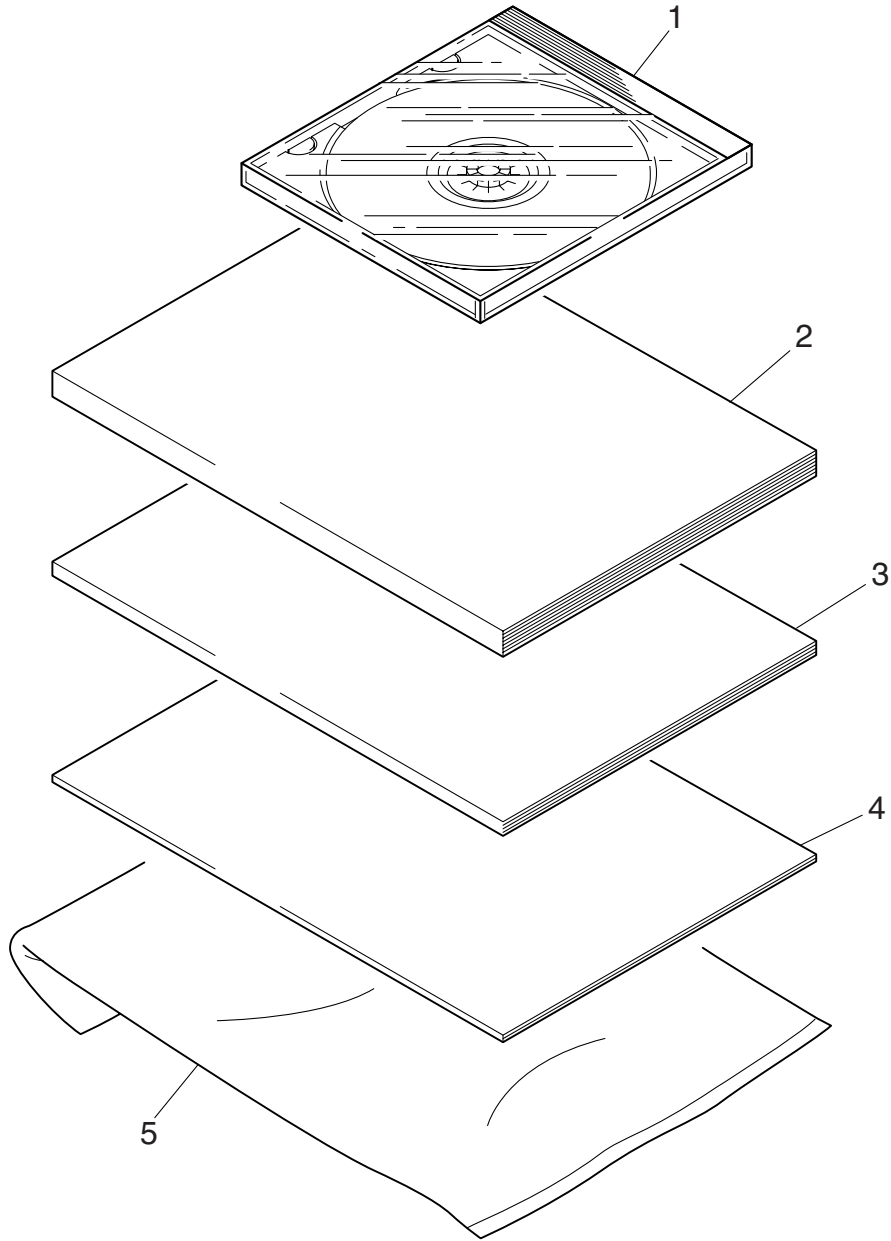
MODEL HL-4000CN 54S601

18. ACCESSORIES

REF.NO	CODE	Q'TY	DESCRIPTION	SYMBOL	REMARK
1	LJ8927001	1	CD ASSY WIN		
1	LJ9102001	1	CD ASSY MAC		
2	LJ3855001	1	SET GUIDE, ENG		
2	LJ3856001	1	SET GUIDE, FRA		
3	LJ3857001	1	DRIVER SET GUIDE WIN, ENG		
3	LJ3858001	1	DRIVER SET GUIDE WIN, FRA		
3	LM0110001	1	DRIVER SET GUIDE MAC, ENG		
3	LM0111001	1	DRIVER SET GUIDE MAC, FRA		
4	LM0130001	1	READ ME FIRST SHEET		
5	LJ4961001	1	BAG, 215X350H		

MODEL HL-4000CN 54S601

18. ACCESSORIES



MODEL HL-4000CN 54S601