



**FACSIMILE EQUIPMENT
SERVICE MANUAL**

**MODEL: FAX1170/1270/1570MC
FAX1010/1020/1030
MFC1770/1870MC/1970MC**

© Copyright Brother 1997

All rights reserved.

No part of this publication may be reproduced in any form or by any means without permission in writing from the publisher.

Specifications are subject to change without notice.

PREFACE

This publication is a Service Manual covering the specifications, construction, theory of operation, and maintenance of the Brother facsimile equipment. It includes information required for field troubleshooting and repair—disassembly, reassembly, and adjustment—so that service personnel will be able to understand equipment function, to rapidly repair the equipment and order any necessary spare parts.

To perform appropriate maintenance so that the facsimile equipment is always in best condition for the customer, the service personnel must adequately understand and apply this manual.

This manual is made up of six chapters and appendices.

| | |
|---------------------|---|
| CHAPTER I. | GENERAL DESCRIPTION |
| CHAPTER II. | INSTALLATION |
| CHAPTER III. | THEORY OF OPERATION |
| CHAPTER IV. | DISASSEMBLY/REASSEMBLY AND LUBRICATION |
| CHAPTER V. | MAINTENANCE MODE |
| CHAPTER VI. | ERROR INDICATION AND TROUBLESHOOTING |
| APPENDICES | Circuit Diagrams |

This manual describes the model and its versions to be destined for major countries. The specifications and functions are subject to change depending upon each destination.

CHAPTER I.

GENERAL DESCRIPTION

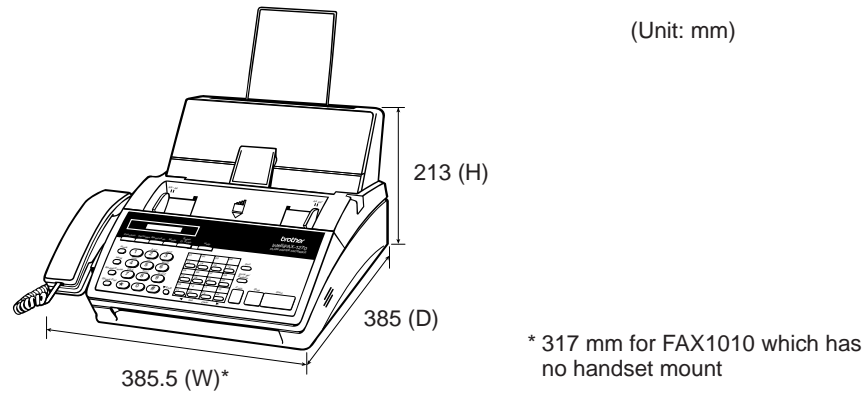
CONTENTS

| | |
|--|------------|
| 1. EQUIPMENT OUTLINE | I-1 |
| 1.1 External Appearance and Weight | I-1 |
| 1.2 Components | I-1 |
| 2. SPECIFICATIONS | I-2 |

1. EQUIPMENT OUTLINE

1.1 External Appearance and Weight

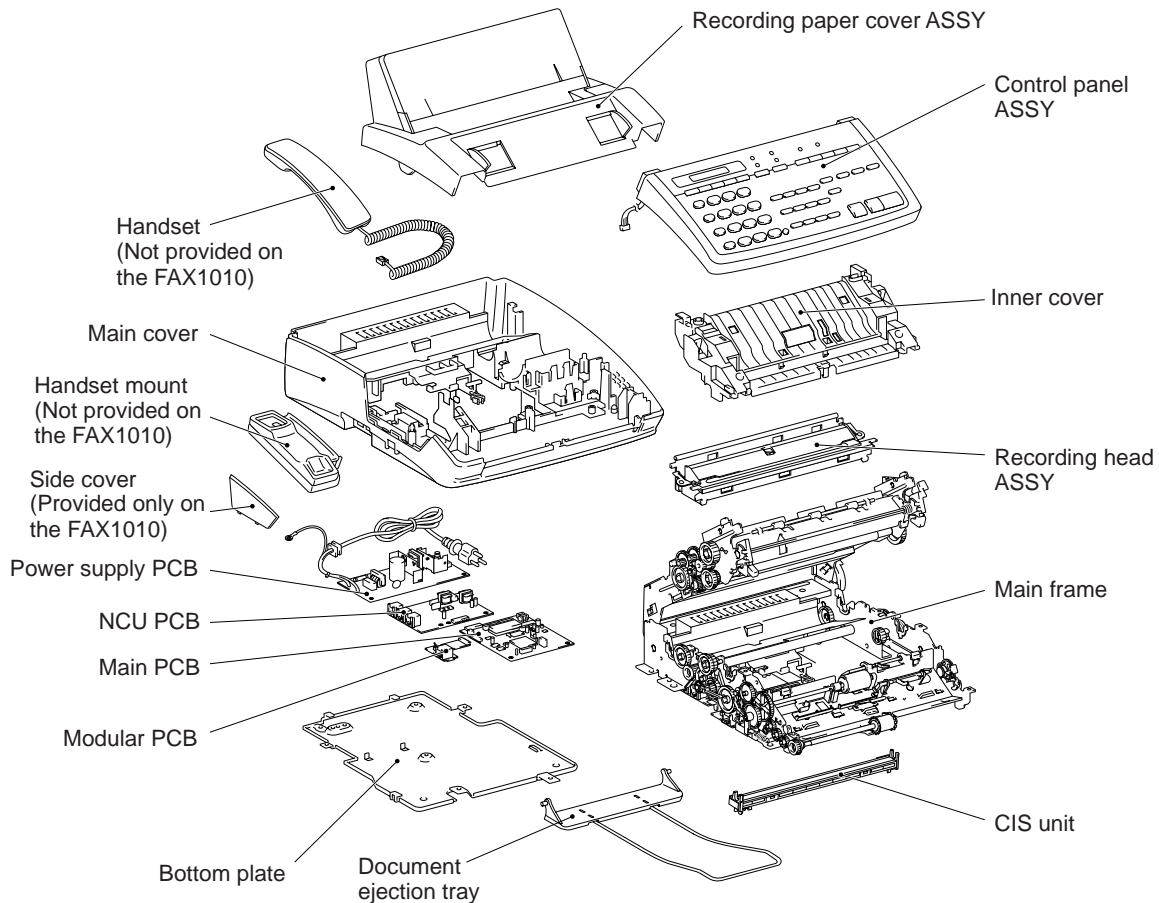
The figure below shows the equipment appearance and approximate dimensions.



| | | |
|------------------------|---------------|---|
| Weight: Machine proper | FAX1010: | Approx. 5.0 kg (excluding a ribbon cartridge) |
| | Other models: | Approx. 5.2 kg (excluding a ribbon cartridge) |
| In package | FAX1010: | Approx. 8.7 kg |
| | Other models: | Approx. 8.9 kg |

1.2 Components

The equipment consists of the following major components:



2. SPECIFICATIONS

| Model | FAX1170 | FAX1270 | FAX1570MC |
|----------------------------------|-------------------|-------------------|------------------|
| Color | Gray (1395) | White (1397) | White (1397) |
| Modem Speed | 9600 bps | 9600 bps | 14400 bps |
| CCITT Group | G3 | G3 | G3 |
| Coding Method | MH | MH | MH |
| Transmission Speed | 15 sec. | 15 sec. | 9 sec. |
| Input/Output Width | 8.5"/8.5" | 8.5"/8.5" | 8.5"/8.5" |
| ADF Capacity (pages) | 20 | 20 | 20 |
| Recording Paper Loadable | 200 sheets | 200 sheets | 200 sheets |
| Paper Size | Letter/Legal/A4 | Letter/Legal/A4 | Letter/Legal/A4 |
| Ribbon Life (Letter-size print) | 450 pages | 450 pages | 450 pages |
| Handset | Yes | Yes | Yes |
| LCD Size | 16 x 1 | 16 x 1 | 16 x 1 |
| On-screen Programming | Yes | Yes | Yes |
| Gray Scale | 64 by Dithered | 64 by Dithered | 64 by E/D |
| Smoothing | Yes | Yes | Yes |
| One-touch Dial | 12 x 2 | 12 x 2 | 12 x 2 |
| Speed Dial | 26 | 36 | 100 |
| Telephone Index | Yes | Yes | Yes |
| Multi-resolution Transmission | Yes | Yes | Yes |
| FAX/TEL Switch | Yes | Yes | Yes |
| Distinctive Ringing | Yes | Yes | Yes |
| Next Fax-reservation | Yes | Yes | Yes |
| Help | Yes | Yes | Yes |
| TAD Interface | Yes | Yes | Yes |
| Coverpage | Yes, Super | Yes, Super | Yes, Super |
| Polling Type | Sim/Del/Seq | Sim/Del/Seq | Sim/Del/Seq |
| Receive Password (password plus) | Yes | Yes | Yes |
| Delayed Transmission | 3, timers | 3, timers | 3, timers |
| Call Reservation | Yes | Yes | Yes |
| Call-back Message | Yes | Yes | Yes |
| Speaker Phone | Monitor | Monitor | Yes, Full-duplex |
| Activity Report | Yes | Yes | Yes |
| Transmission Verification Report | Yes | Yes | Yes |
| Page Memory | 512 KB (20 pages) | 512 KB (20 pages) | 1 MB (50 pages) |
| Out-of-paper Reception | Yes | Yes | Yes |
| Quick Scan | Yes | Yes | Yes |
| Super Quick Scan | No | No | No |
| Broadcasting | Yes | Yes | Yes |
| ECM | Yes | Yes | Yes |
| Multi-transmission | Yes | Yes | Yes |
| Multi-copying w/Sorting | Yes | Yes | Yes |
| Enlargement/Reduction Ratio | Yes (50-150%) | Yes (50-150%) | Yes (50-150%) |
| TAD Type | No | No | DSP |
| OGM | No | No | Yes |
| ICM Recording Time | No | No | Yes, 30 min. |
| FAX Forwarding/Paging | No | Yes | Yes |
| FAX Retrieval | No | Yes | Yes |
| PCI (Missing link) | Ready | Ready | Ready |
| Message Center | No | No | Yes |
| Caller ID | Yes | Yes | Yes |
| Fax-/Voice-on-demand | No | No | Voice-on-demand |
| Mail Box | No | No | Yes |
| Remote Control | Yes | Yes | Yes |
| Toll Saver | No | No | Yes |
| Memo/2-Way Recording | No | No | Yes |
| Auto Reduction | Yes | Yes | Yes |
| Confidential Mailbox | No | No | No |
| Optional Memory | No | No | No |

| Model | FAX1010 | FAX1020 | FAX1030 |
|----------------------------------|-------------------------------------|-------------------------------------|-------------------------------------|
| Color | White (1138) | White (1138) | White (1138) |
| Modem Speed | 9600 bps | 9600 bps | 14400 bps |
| CCITT Group | G3 | G3 | G3 |
| Coding Method | MH | MH | MH |
| Transmission Speed | 15 sec. | 15 sec. | 10 sec. |
| Input/Output Width | A4/A4 | A4/A4 | A4/A4 |
| ADF Capacity (pages) | 20 | 20 | 20 |
| Recording Paper Loadable | 200 sheets | 200 sheets | 200 sheets |
| Paper Size | Letter/Legal/A4 | Letter/Legal/A4 | Letter/Legal/A4 |
| Ribbon Life (A4-size print) | 420 pages | 420 pages | 420 pages |
| Handset | No | Yes | Yes |
| LCD Size | 16 x 1 | 16 x 1 | 16 x 1 |
| On-screen Programming | Yes | Yes | Yes |
| Gray Scale | 64 by Dithered | 64 by Dithered | 64 by E/D |
| Smoothing | Yes | Yes | Yes |
| One-touch Dial | 12 x 2 | 12 x 2 | 12 x 2 |
| Speed Dial | 36 | 36 | 100 |
| Telephone Index | Yes (Not Super) | Yes (Not Super) | Yes (Not Super) |
| Multi-resolution Transmission | Yes | Yes | Yes |
| FAX/TEL Switch | Yes | Yes | Yes |
| Distinctive Ringing | Yes | Yes | Yes |
| Next Fax-reservation | Yes | Yes | Yes |
| Help | Yes, Simple | Yes, Simple | Yes, Simple |
| TAD Interface | Yes | Yes | Yes |
| Coverpage | Yes, Super | Yes, Super | Yes, Super |
| Polling Type | Std/Sec/Del/Seq | Std/Sec/Del/Seq | Std/Sec/Del/Seq |
| Receive Password (password plus) | Yes | Yes | Yes |
| Delayed Transmission | 3, timers | 3, timers | 3, timers |
| Call Reservation | Yes | Yes | Yes |
| Call-back Message | Yes | Yes | Yes |
| Speaker Phone | Monitor | Monitor | Yes, Full-duplex |
| Activity Report | Yes | Yes | Yes |
| Transmission Verification Report | Yes | Yes | Yes |
| Page Memory | 512 KB (20 pages) | 512 KB (20 pages) | 1 MB (50 pages) |
| Out-of-paper Reception | Yes (20 pages) | Yes (20 pages) | Yes (50 pages) |
| Quick Scan | Yes (18 pages) | Yes (18 pages) | Yes (18 pages) |
| Super Quick Scan | No | No | No |
| Broadcasting | Yes, 60 locations | Yes, 60 locations | Yes, 124 locations |
| ECM | Yes | Yes | Yes |
| Multi-transmission | Yes | Yes | Yes |
| Multi-copying w/Sorting | Yes | Yes | Yes |
| Enlargement/Reduction Ratio | Yes (50-150%) | Yes (50-150%) | Yes (50-150%) |
| TAD Type | No | No | DSP |
| OGM | No | No | Yes |
| ICM Recording Time | No | No | Yes, 30 min. |
| FAX Forwarding/Paging | Yes/No | Yes/No | Yes |
| FAX Retrieval | Yes | Yes | Yes |
| PCI (Missing link) | Ready | Ready | Ready |
| Message Center | No | No | Yes |
| Caller ID | UK, Sw., Holland (Ready for France) | UK, Sw., Holland (Ready for France) | UK, Sw., Holland (Ready for France) |
| Fax-/Voice-on-demand | No | No | Voice-on-demand |
| Mail Box | No | No | Yes, 5 |
| Remote Control | Yes | Yes | Yes |
| Toll Saver | No | No | Yes |
| Memo/2-Way Recording | No | No | Yes |
| Auto Reduction | Yes | Yes | Yes |
| Confidential Mailbox | No | No | No |
| Optional Memory | No | No | No |

| Model | MFC1770 | MFC1870MC | MFC1970MC |
|----------------------------------|-------------------|-------------------|------------------|
| Color | White (1138) | White (1138) | White (1138) |
| Modem Speed | 9600 bps | 14400 bps | 14400 bps |
| CCITT Group | G3 | G3 | G3 |
| Coding Method | MH | MH | MH |
| Transmission Speed | 15 sec. | 9 sec. | 9 sec. |
| Input/Output Width | 8.5"/8.5" | 8.5"/8.5" | 8.5"/8.5" |
| ADF Capacity (pages) | 20 | 20 | 20 |
| Recording Paper Loadable | 200 sheets | 200 sheets | 200 sheets |
| Paper Size | Letter/Legal/A4 | Letter/Legal/A4 | Letter/Legal/A4 |
| Ribbon Life (Letter-size print) | 450 pages | 450 pages | 450 pages |
| Handset | Yes | Yes | Yes |
| LCD Size | 16 x 1 | 16 x 1 | 16 x 1 |
| On-screen Programming | Yes | Yes | Yes |
| Gray Scale | 64 by Dithered | 64 by Dithered | 64 by E/D |
| Smoothing | Yes | Yes | Yes |
| One-touch Dial | 12 x 2 | 12 x 2 | 12 x 2 |
| Speed Dial | 36 | 36 | 100 |
| Telephone Index | Yes | Yes | Yes |
| Multi-resolution Transmission | Yes | Yes | Yes |
| FAX/TEL Switch | Yes | Yes | Yes |
| Distinctive Ringing | Yes | Yes | Yes |
| Next Fax-reservation | Yes | Yes | Yes |
| Help | Yes | Yes | Yes |
| TAD Interface | Yes | Yes | Yes |
| Coverpage | Yes, Super | Yes, Super | Yes, Super |
| Polling Type | Sim/Del/Seq | Sim/Del/Seq | Sim/Del/Seq |
| Receive Password (password plus) | Yes | Yes | Yes |
| Delayed Transmission | 3, timers | 3, timers | 3, timers |
| Call Reservation | Yes | Yes | Yes |
| Call-back Message | Yes | Yes | Yes |
| Speaker Phone | Monitor | Yes, Full-duplex | Yes, Full-duplex |
| Activity Report | Yes | Yes | Yes |
| Transmission Verification Report | Yes | Yes | Yes |
| Page Memory | 512 KB (20 pages) | 512 KB (20 pages) | 1 MB (50 pages) |
| Out-of-paper Reception | Yes | Yes | Yes |
| Quick Scan | Yes | Yes | Yes |
| Super Quick Scan | No | No | No |
| Broadcasting | Yes | Yes | Yes |
| ECM | Yes | Yes | Yes |
| Multi-transmission | Yes | Yes | Yes |
| Multi-copying w/Sorting | Yes | Yes | Yes |
| Enlargement/Reduction Ratio | Yes (50-150%) | Yes (50-150%) | Yes (50-150%) |
| TAD Type | No | DSP | DSP |
| OGM | No | Yes | Yes |
| ICM Recording Time | No | Yes, 15 min. | Yes, 30 min. |
| FAX Forwarding/Paging | Yes | Yes | Yes |
| FAX Retrieval | Yes | Yes | Yes |
| PCI (Missing link) | Included (MFL3) | Included (MFL3) | Included (MFL3) |
| Message Center | No | Yes | Yes |
| Caller ID | Yes | Yes | Yes |
| Fax-/Voice-on-demand | No | Voice-on-demand | Voice-on-demand |
| Mail Box | No | Yes | Yes |
| Remote Control | Yes | Yes | Yes |
| Toll Saver | No | Yes | Yes |
| Memo/2-Way Recording | No | Yes | Yes |
| Auto Reduction | Yes | Yes | Yes |
| Confidential Mailbox | No | No | No |
| Optional Memory | No | No | No |

CHAPTER II.

INSTALLATION

CHAPTER **III**.

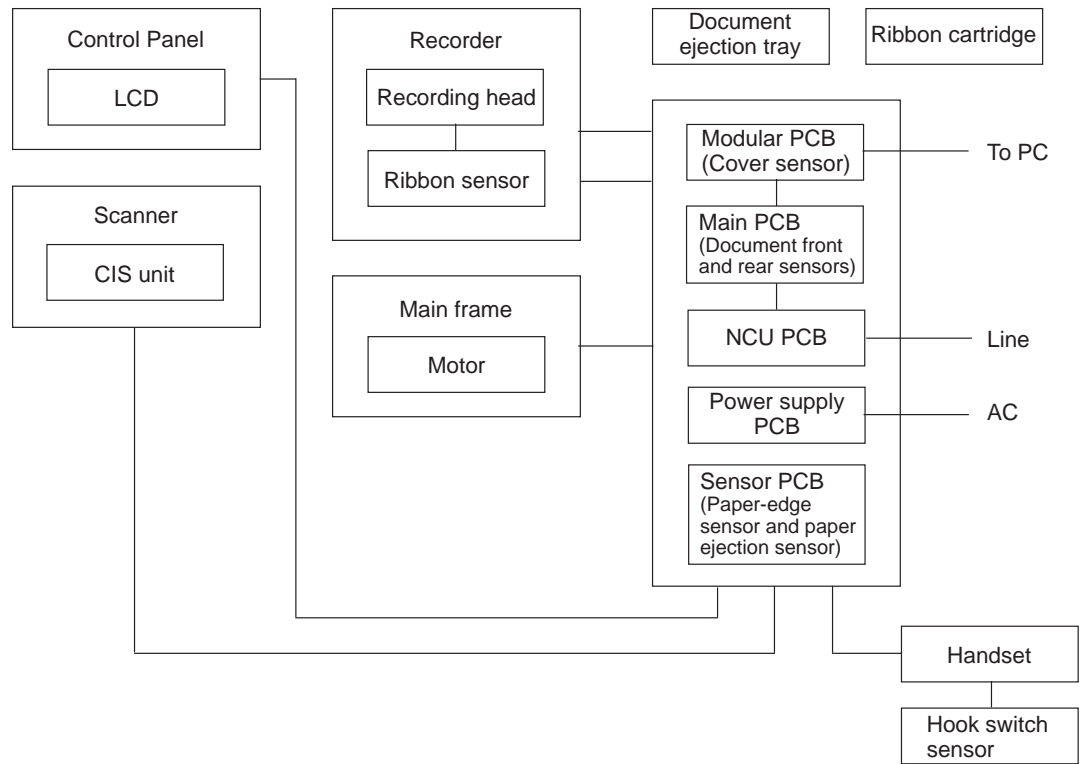
THEORY OF OPERATION

CONTENTS

| | |
|--|---------------|
| 1. OVERVIEW | III-1 |
| 1.1 Functional Block Diagram | III-1 |
| 2. MECHANISMS | III-2 |
| 2.1 Transmitting Mechanism (Feeding and scanning documents) | III-2 |
| 2.1.1 Automatic document feeder (ADF) | III-2 |
| 2.1.2 Scanner | III-3 |
| 2.2 Receiving Mechanism (Feeding paper and printing data) | III-4 |
| 2.3 Power Transmission Mechanism | III-5 |
| 2.3.1 Structure of the gear train | III-5 |
| 2.3.2 Description of planetary gear system | III-6 |
| 2.3.3 Power transmission for four operation modes | III-7 |
| [1] Scanning mode (Solenoid: OFF, Motor rotation : Reverse) | III-8 |
| [2] Paper feeding/ejection mode (Solenoid: ON, Motor rotation : Reverse) | III-9 |
| [3] Recording mode (Solenoid: OFF, Motor rotation : Forward) | III-10 |
| [4] Copying mode (Solenoid: ON, Motor rotation : Forward) | III-12 |
| 2.3.4 Power transmission route | III-14 |
| 2.4 Sensors and Actuators | III-16 |
| 3. CONTROL ELECTRONICS | III-19 |
| 3.1 Configuration | III-19 |
| 3.2 Main PCB | III-20 |
| 3.3 NCU PCB | III-27 |
| 3.4 Control Panel PCB | III-29 |
| 3.5 Power Supply PCB | III-30 |

1. OVERVIEW

1.1 Functional Block Diagram



2. MECHANISMS

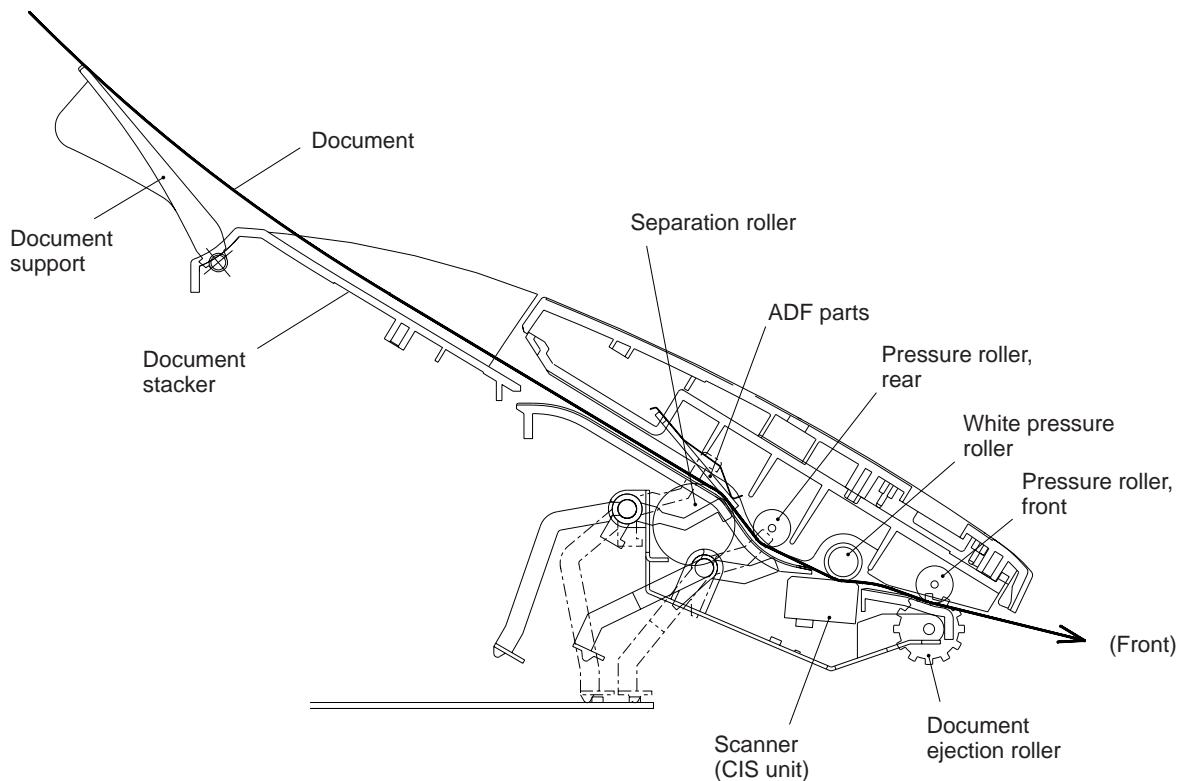
The equipment is classified into the following mechanisms:

- Transmitting Mechanism Feeding and scanning documents
- Receiving Mechanism Feeding paper and printing data
- Power Transmission Mechanism Switching the power transmission route
- Sensors and Actuators

2.1 Transmitting Mechanism (Feeding and scanning documents)

The transmitting mechanism consists of the document stacker, automatic document feeder (ADF), document feeding related rollers, scanner, and document sensors. (For details about the sensors, refer to Section 2.4.)

For the drive power source, refer to Section 2.3.



2.1.1 Automatic document feeder (ADF)

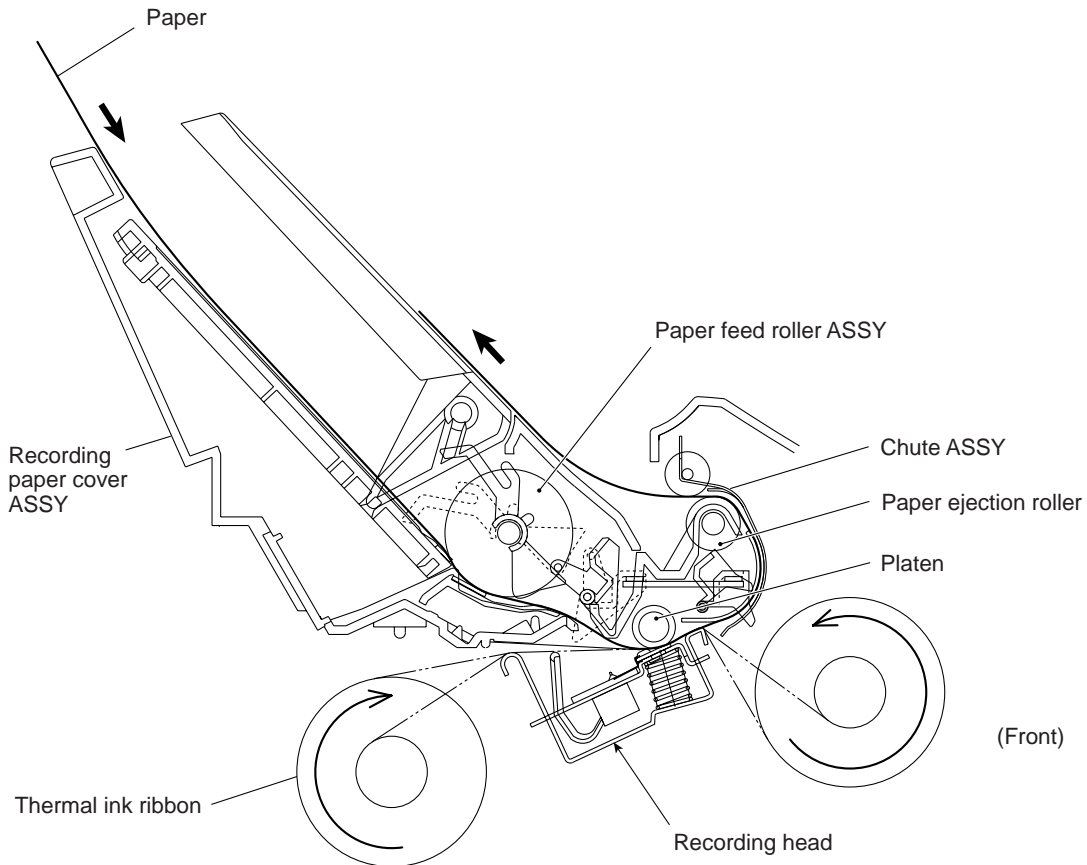
If the operator sets documents on the stacker and starts the transmitting operation, the ADF (consisting of the separation roller and ADF parts) feeds those documents into the equipment, starting from the bottom sheet to the top, page by page. Each document advances to the scanner, and then it is fed with the white pressure roller and document ejection roller.

2.1.2 Scanner

The scanner uses a contact image sensor (CIS) unit which consists of an LED array illuminating documents, a self-focus lens array collecting the reflected light, a CIS PCB carrying out photoelectric conversion to output picture element data, and a cover glass on which a document advances. When the document passes between the white pressure roller and the cover glass, it is scanned.

2.2 Receiving Mechanism (Feeding paper and printing data)

The receiving mechanism consists of the recording paper cover ASSY, paper feed roller ASSY, platen, thermal recording head, paper ejection roller, and sensors. (For details about the sensors, refer to Section 2.4.)



STEP 1: In the paper feeding mode

If the equipment receives data, the control electronics activates the solenoid and rotates the motor counterclockwise to drive the paper feed roller (and paper ejection roller). This pulls in a sheet of paper and feeds it until its leading edge reaches the point just before the printing position.

STEP 2: In the recording (platen drive & ribbon take-up) mode

The control electronics deactivates the solenoid and rotates the motor clockwise to drive the platen gear and the ribbon take-up gear as well as the paper ejection roller. This feeds the paper up to the printing position where the thermal recording head prints, as well as feeding the thermal ink ribbon.

STEP 3: In the paper ejecting mode

The same operation as for STEP 1 takes place so as to eject the paper.

2.3 Power Transmission Mechanism

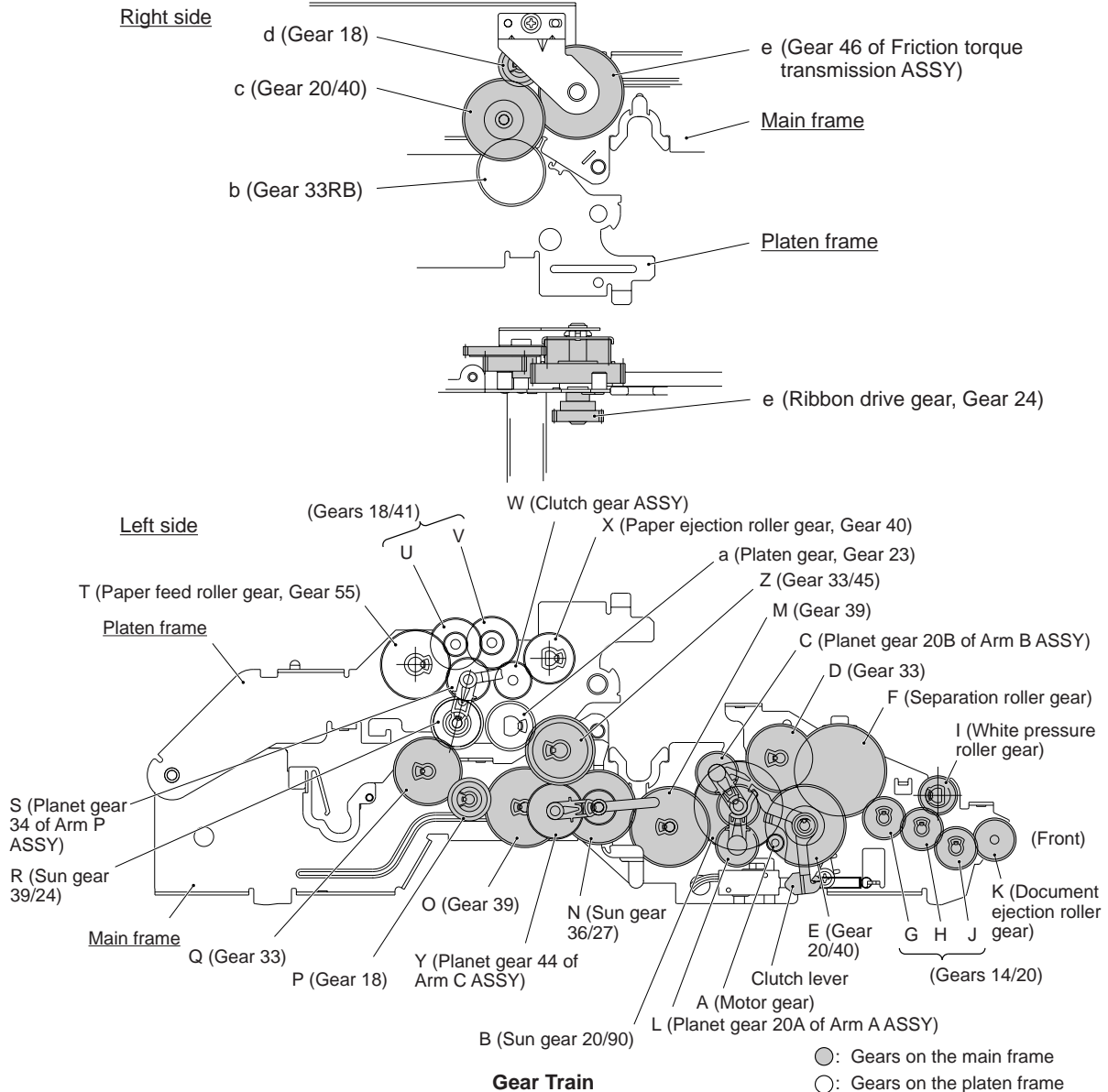
The equipment has a single drive motor whose power transmission route can be switched by the planetary gear systems and the solenoid. This switching allows the equipment to function in four operation modes (scanning, paper feeding/ejecting, recording, and copying modes). For the details about the planetary gear systems, refer to Subsection 2.3.2.

2.3.1 Structure of the gear train

At the left side of the equipment, the rotational torque of the motor on the main frame is transmitted to the gears on the main frame and then to the gears on the platen frame. These gears drive the document feeding/ejecting related rollers, paper feeding/ejecting related rollers, and the platen.

If the platen gear ("a" in the figure below) on the left end of the platen shaft rotates, the gear 33RB ("b") on the right end also rotates. This way, the rotational torque is transmitted to the gears on the right side of the equipment.

At the right side of the equipment, the rotational torque is further transmitted via the friction torque transmission ASSY to the ribbon drive gear ("e") which drives the ribbon take-up gear in the ribbon cartridge.

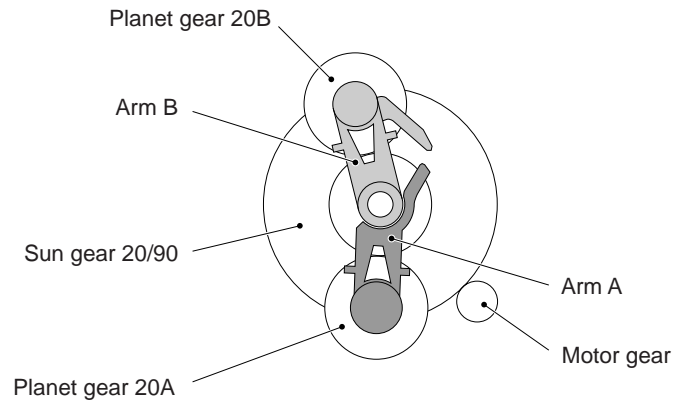


2.3.2 Description of planetary gear system

The equipment uses the following three planetary gear systems:

- Sun gear 20/90 ("B" in the figure given on the previous page) and its planet gears
- Sun gear 36/27 ("N") and its planet gear
- Sun gear 39/24 ("R") and its planet gear

This section describes the planetary gear system of the sun gear 20/90 ("B"). It consists of the sun gear 20/90, two planet gears 20, arm A, and arm B, as shown below.



Planetary Gear System

If the motor rotates, the sun gear 20/90 rotates so that the rotational torque is transmitted to the engagement between the sun gear and the planet gears 20. Since the arms and planet gears are so designed that the moment of the arms is less than that of the planet gears, the arms turn around the center shaft in the same direction as the sun gear 20/90.

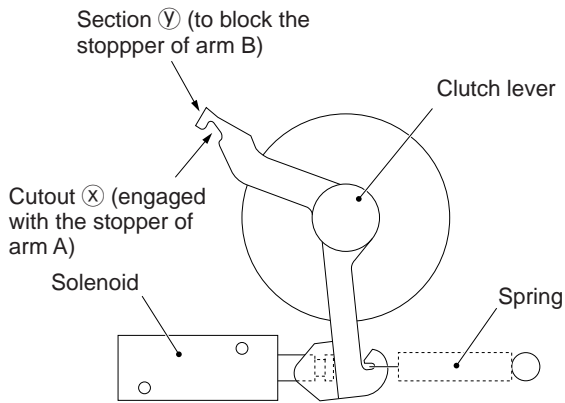
If the planet gear(s) becomes engaged with any other gear so that the arm cannot turn furthermore, the rotational torque of the sun gear 20/90 is transmitted to that planet gear. Accordingly, the planet gear starts rotation in the opposite direction of the sun gear 20/90.

2.3.3 Power transmission for four operation modes

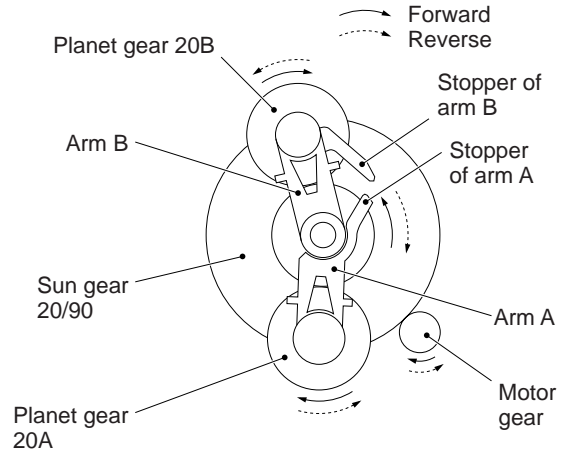
Depending upon the solenoid ON/OFF state and the motor rotation direction, the planetary gear train switches the power transmission route for the four operation modes.

Solenoid ON/OFF state

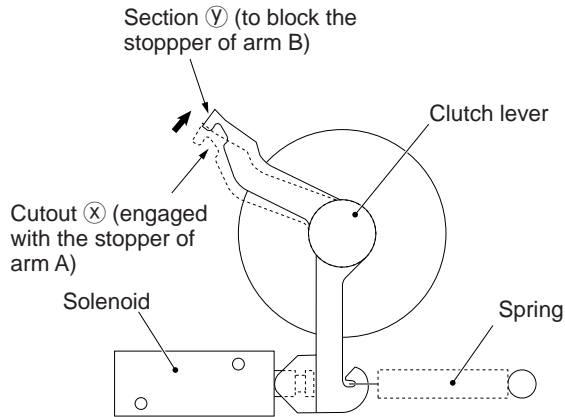
Solenoid: OFF



Motor rotation direction



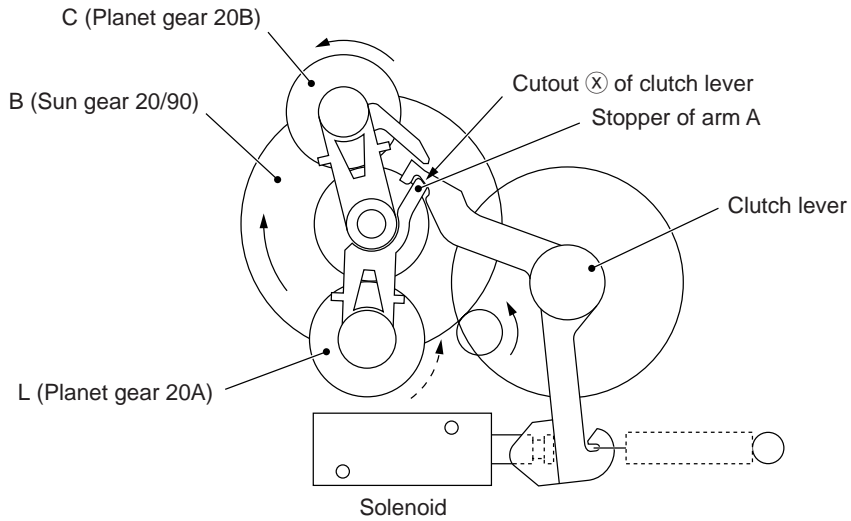
Solenoid: ON



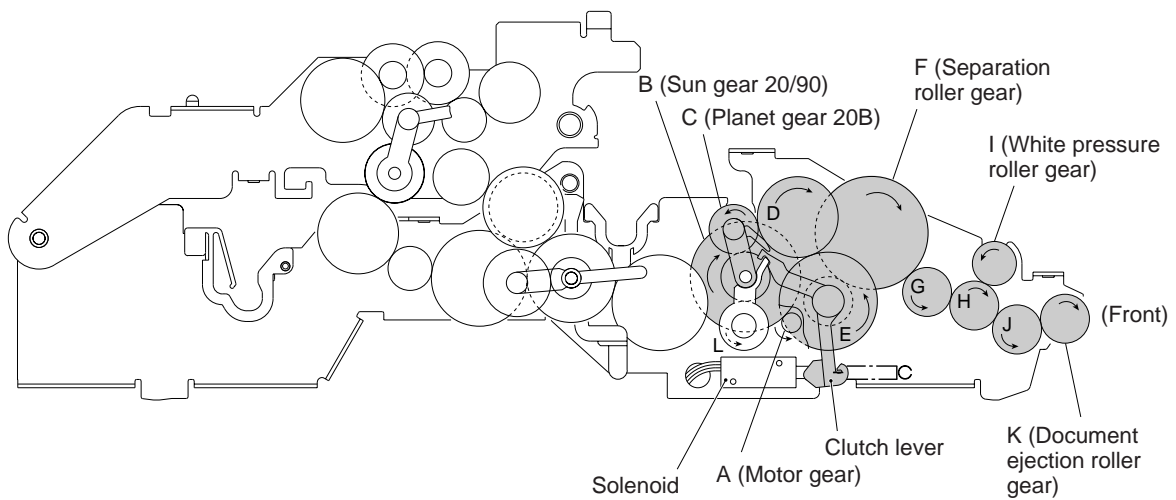
[1] Scanning mode (Solenoid: OFF, Motor rotation: Reverse)

In the scanning mode, the control electronics deactivates the solenoid. When the motor rotates in the reverse direction, the clutch lever turns counterclockwise with the spring so that its cutout (⊗) becomes engaged with the stopper of arm A. Once arm A is locked, the planet gear 20A ("L") will not be engaged with any other gear but simply idle.

The motor's rotational torque turns the sun gear 20/90 ("B") clockwise so that the planet gear 20B ("C") transmits the torque to the separation roller gear ("F"), white pressure roller gear ("I") and document ejection roller gear ("K") via the several gears.



Arm A Locked by Cutout ⊗ of Clutch Lever

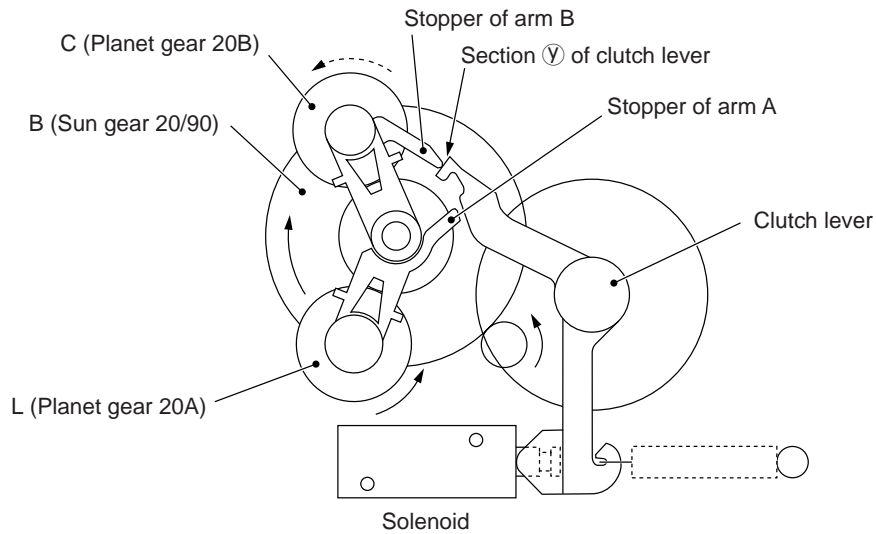


Active Gears

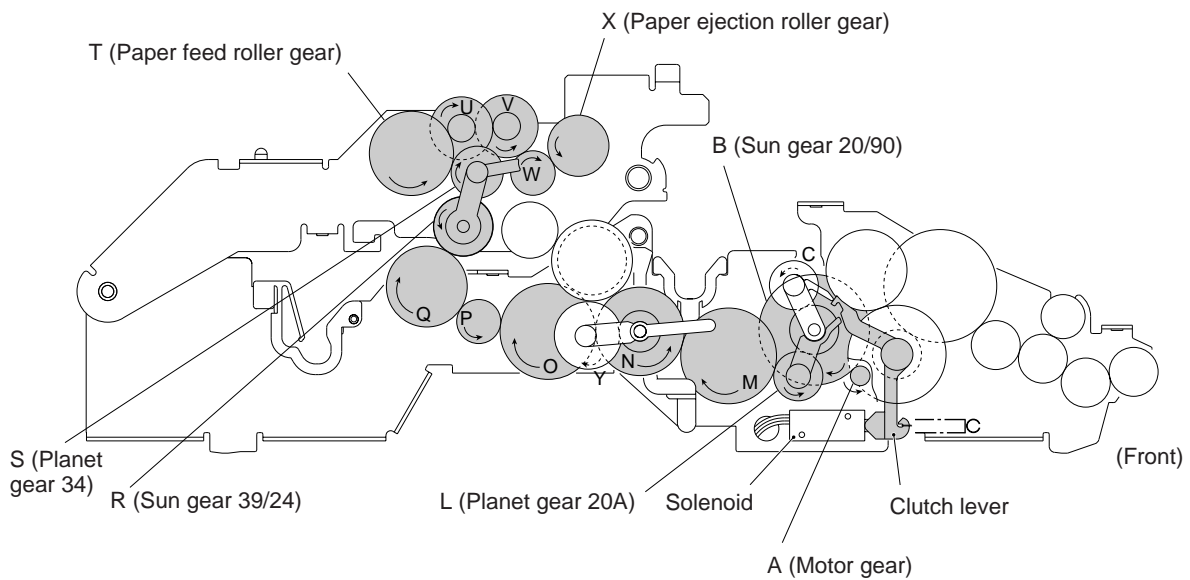
[2] Paper feeding/ejecting mode (Solenoid: ON, Motor rotation: Reverse)

In the paper feeding/ejecting mode, the control electronics activates the solenoid to release the stopper of arm A. When the motor rotates in the reverse direction, the sun gear 20/90 ("B") rotates clockwise so that the planet gear 20A ("L") transmits the torque via the gear 39 ("M") and other gears to the paper feed roller gear ("T") and paper ejection roller gear ("X").

Since the stopper of arm B is blocked by the section ⑤ of the clutch lever, the planet gear 20B ("C") is merely idle without engaging with any other gear.



Arm B Blocked by Section ⑤ of Clutch Lever



Active Gears

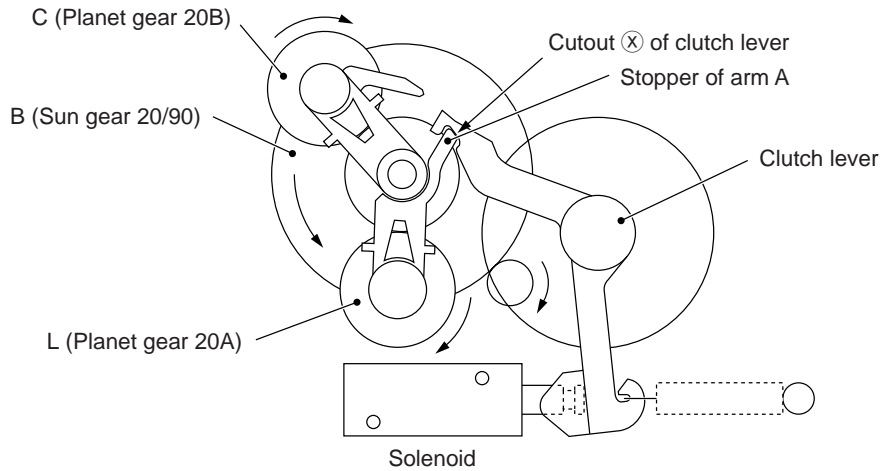
[3] Recording mode (Solenoid: OFF, Motor rotation: Forward)

In the recording mode, the control electronics deactivates the solenoid. When the motor rotates in the forward direction, the clutch lever turns counterclockwise with the spring so that its cutout (⊗) becomes engaged with the stopper of arm A. Once arm A is locked, the planet gear 20A ("L") will not be engaged with any other gear but simply idle.

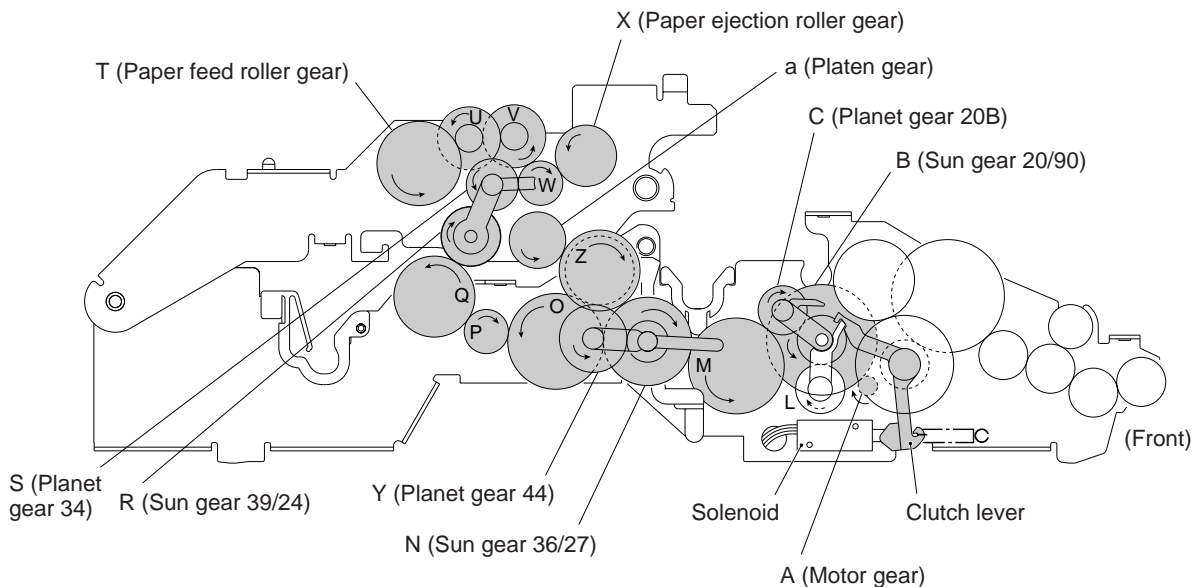
The motor's rotational torque turns the sun gear 20/90 ("B") counterclockwise so that the planet gear 20B ("C") transmits the torque via the gear 39 ("M") and other gears to the platen gear ("a") as well as the paper ejection roller gear ("X").

The platen advances recording paper and its paper movement rotates the paper feed roller. Consequently, the paper feed roller shaft rotates faster than the paper feed roller gear ("T").

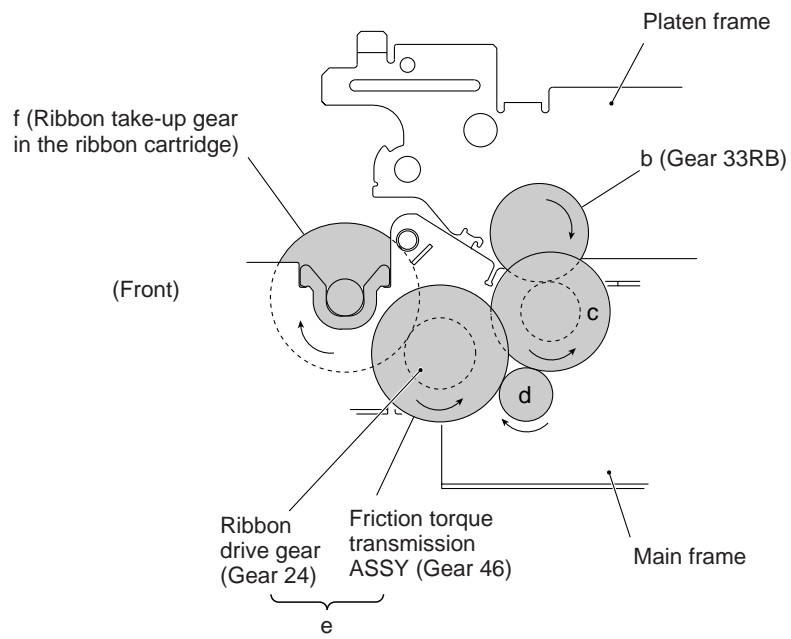
If the platen gear ("a" in the figure below) on the left end of the platen shaft rotates, the gear 33RB ("b") on the right end also rotates so as to drive the friction torque transmission ASSY and ribbon drive gear ("f") in the ribbon cartridge, as shown on the next page.



Arm A Locked by Cutout (⊗) of Clutch Lever



Active Gears on the Left Side

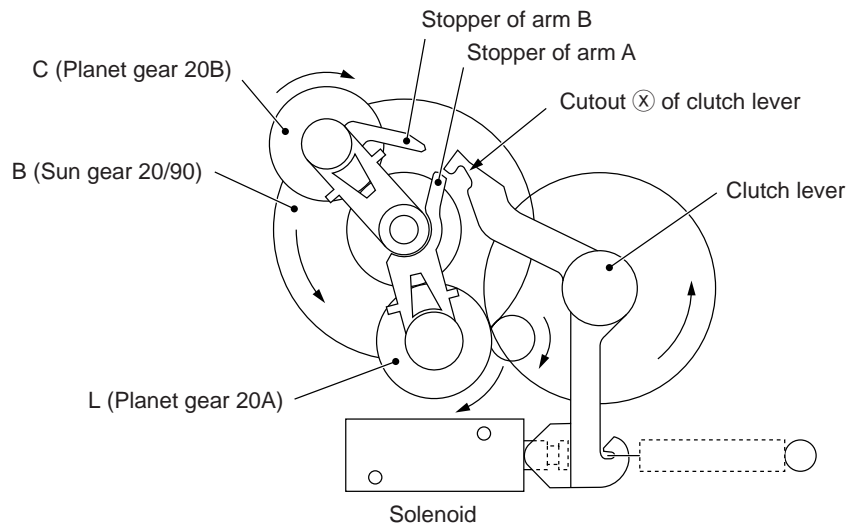


Active Gears on the Right Side

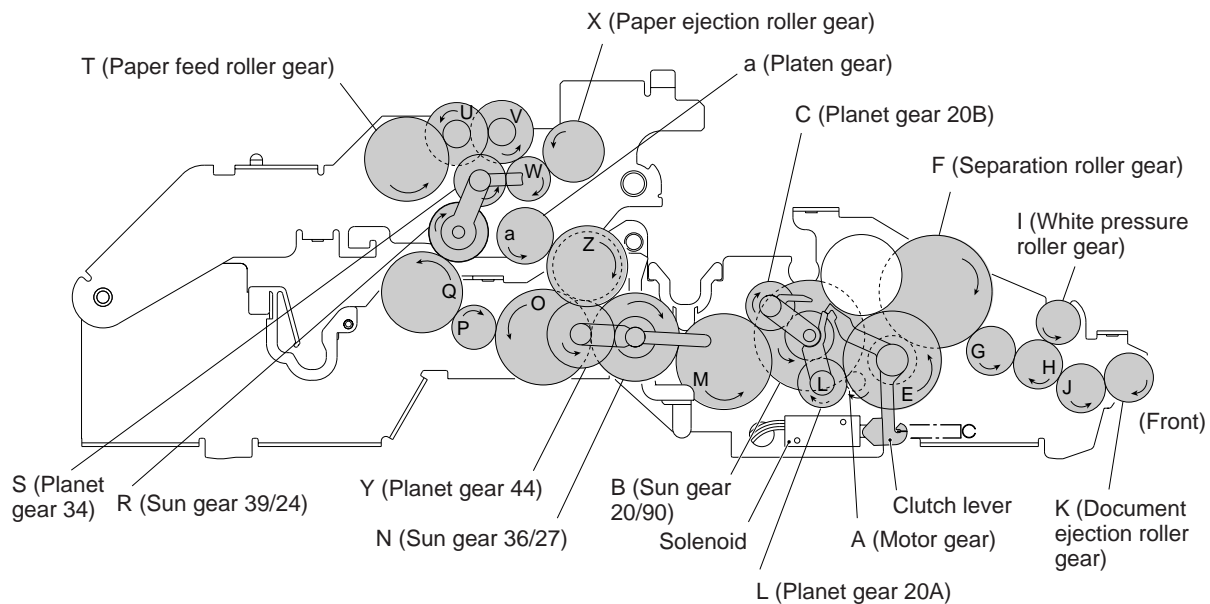
[4] Copying mode (Solenoid: ON, Motor rotation: Forward)

The control electronics activates the solenoid to release the stopper of arm A from the clutch lever. When the motor rotates in the forward direction, the sun gear 20/90 ("B") rotates counterclockwise so that the planet gear 20A ("L") transmits the torque to the document scanner mechanism (e.g., the separation roller gear ("F"), white pressure roller gear ("I") and document ejection roller gear ("K")) and the planet gear 20B ("C") transmits the torque to the recording mechanism (e.g., the platen gear ("a"), paper feed roller gear ("T"), and paper ejection roller gear ("X")).

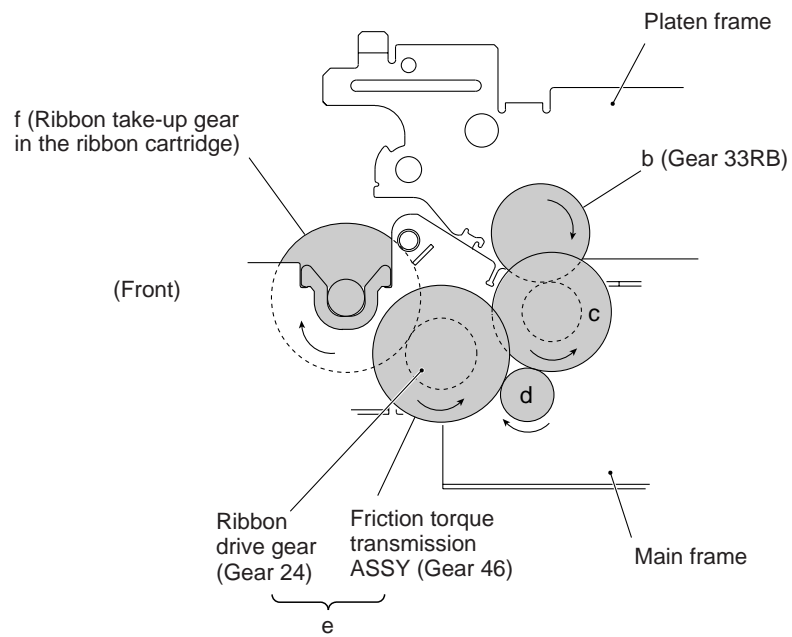
If the platen gear ("a" in the figure below) on the left end of the platen shaft rotates, the gear 33RB ("b") on the right end also rotates so as to drive the friction torque transmission ASSY and ribbon drive gear ("e") that rotates the ribbon take-up gear ("f") in the ribbon cartridge, as shown on the next page.



Arm A Released from Coutout (X) of Clutch Lever



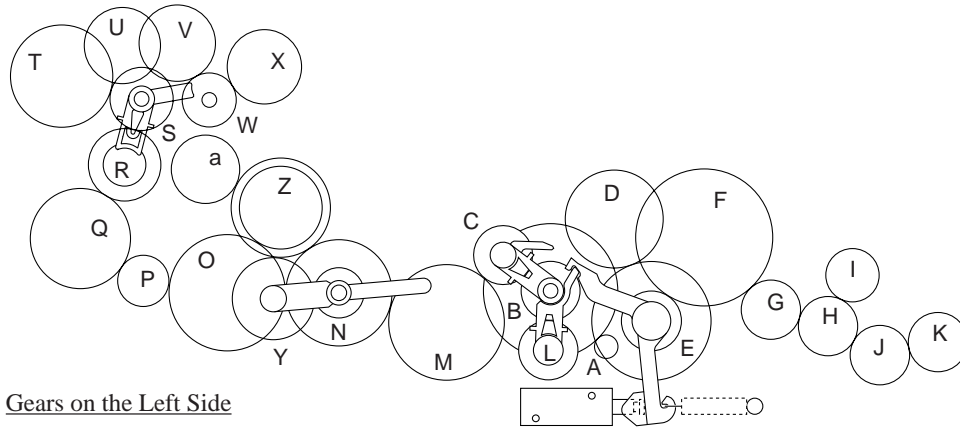
Active Gears on the Left Side



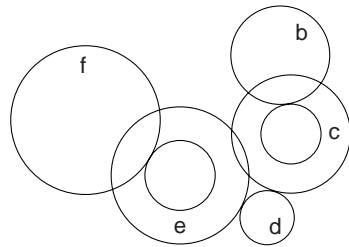
Active Gears on the Right Side

2.3.4 Power transmission route

Rotation of the motor gear is transmitted as shown below.



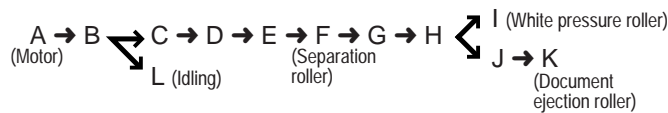
Gears on the Left Side



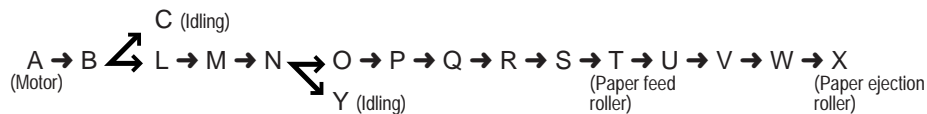
Gears on the Right Side

- | | |
|----------------------------------|---|
| A: Motor gear | Q: Gear 33 |
| B: Sun gear 20/90 | R: Sun gear 39/24 |
| C: Planet gear 20B | S: Planet gear 34 |
| D: Gear 33 | T: Paper feed roller gear |
| E: Gear 20/40 | U: Gear 18/41 |
| F: Separation roller gear | V: Gear 18/41 |
| G: Gear 14/20 | W: Clutch gear |
| H: Gear 14/20 | X: Paper ejection roller gear, Gear 40 |
| I: White pressure roller gear | Y: Planet gear 44 |
| J: Gear 14/20 | Z: Gear 33/45 |
| K: Document ejection roller gear | a: Platen gear, Gear 23 |
| L: Planet gear 20A | b: Gear 33RB |
| M: Gear 39 | c: Gear 20/40 |
| N: Sun gear 36/27 | d: Gear 18 |
| O: Gear 39 | e: Friction torque transmission ASSY (Gear 46) and ribbon drive gear (Gear 24) |
| P: Gear 18 | f: Ribbon take-up gear in the ribbon cartridge |

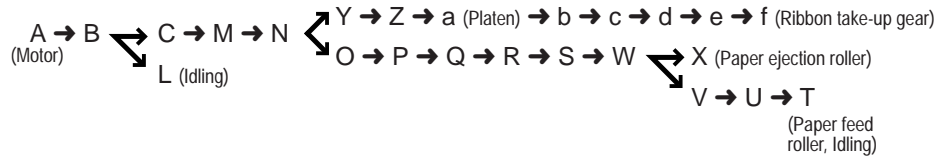
[1] Scanning Mode (Solenoid: OFF, Motor rotation: reverse)



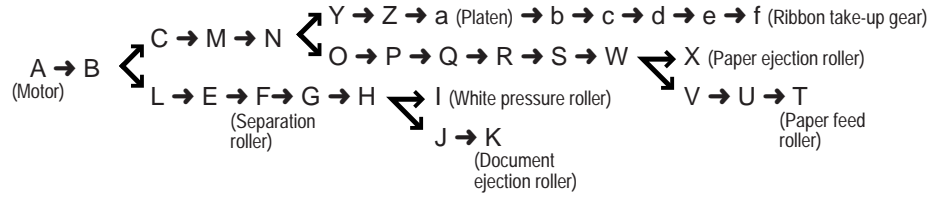
[2] Paper Feeding/Ejecting Mode (Solenoid: ON, Motor rotation: reverse)



[3] Recording Mode (Solenoid: OFF, Motor rotation: forward)



[4] Copying Mode (Solenoid: ON, Motor rotation: forward)



2.4 Sensors and Actuators

This equipment has four photosensors and three mechanical switches (two for the FAX1010) as described below.

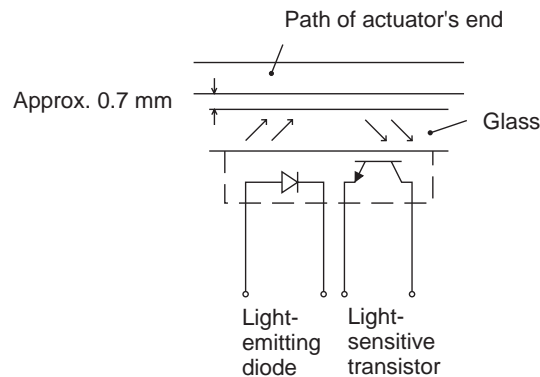
| Sensor name | Type | Located on |
|-----------------------|-------------------------|-----------------|
| Document front sensor | Photosensor (PH1) | Main PCB |
| Document rear sensor | Photosensor (PH2) | Main PCB |
| Paper ejection sensor | Photosensor (PH1) | Sensor PCB |
| Paper-edge sensor | Photosensor (PH2) | Sensor PCB |
| Cover sensor | Mechanical switch (SW1) | Modular PCB |
| Ribbon sensor | Mechanical switch (SW1) | Recording head |
| Hook switch sensor* | Mechanical switch (SW1) | Hook switch PCB |

- Document front sensor which detects the presence of documents.
- Document rear sensor which detects the leading and trailing edges of pages to tell the control circuitry when the leading edge of a new page has reached the starting position and when the scan for that page is over.
- Paper ejection sensor which detects whether a paper jam has occurred.
- Paper-edge sensor which detects the leading and trailing edges of paper and the presence of paper as well as detecting whether the paper front cover is closed.

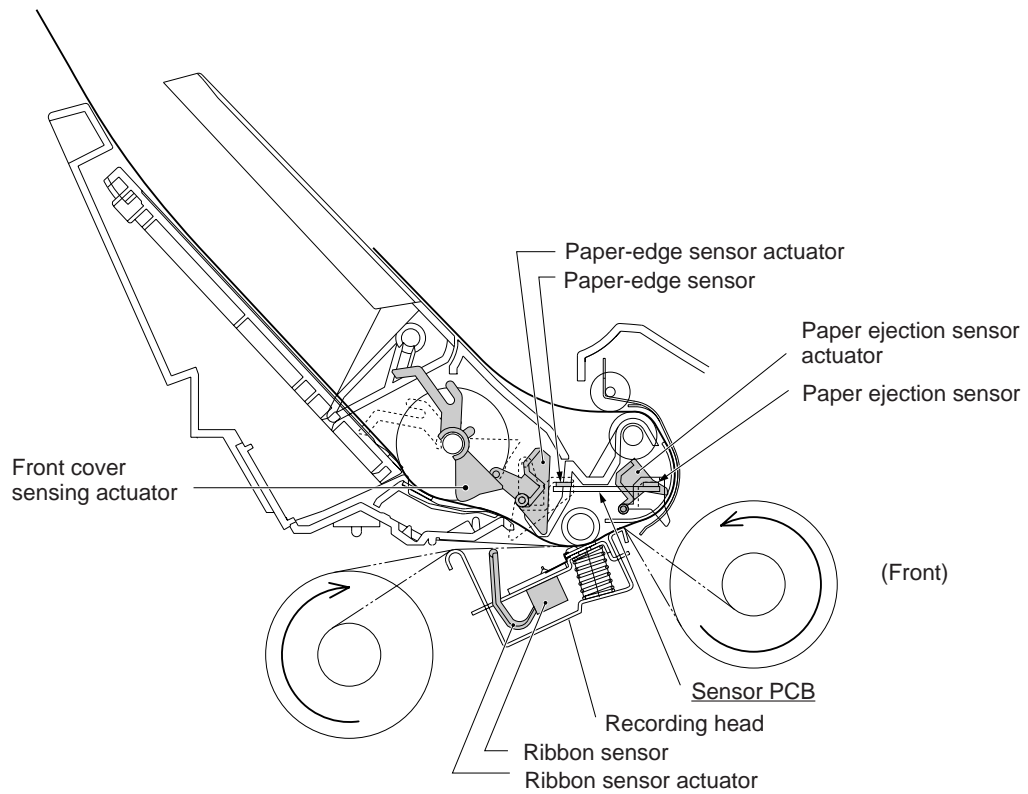
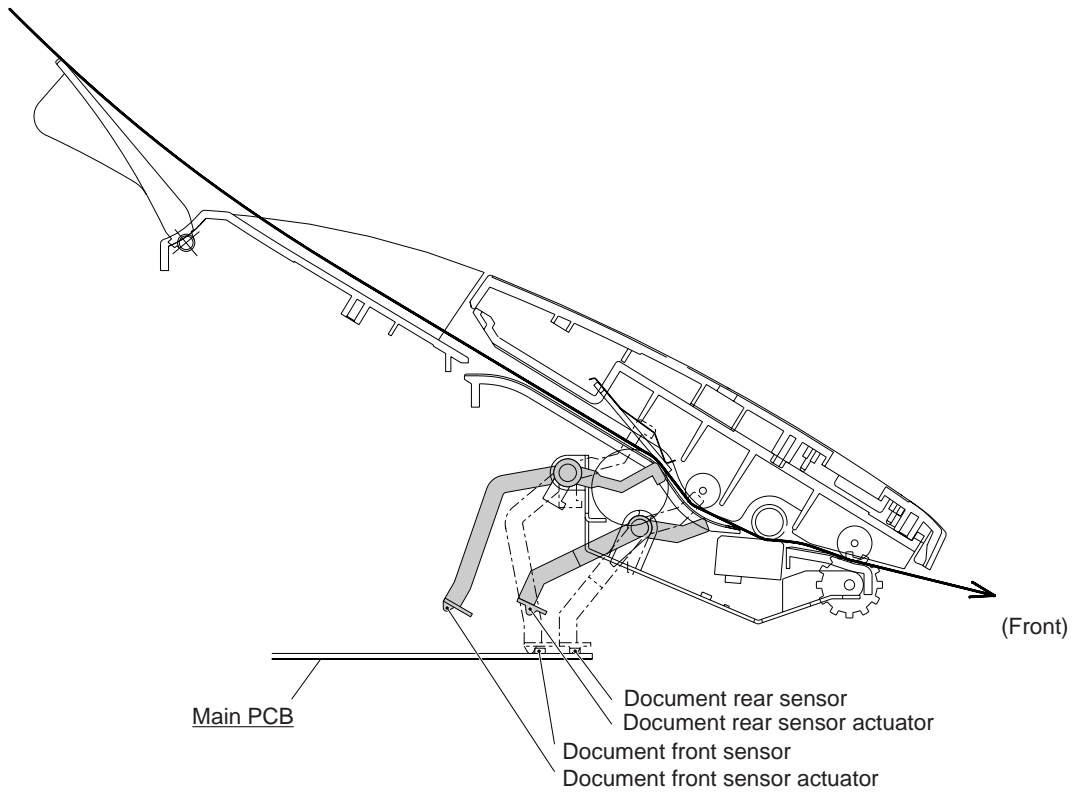
These photosensors are of a reflection type consisting of a light-emitting diode and a light-sensitive transistor. Each of them has an actuator separately arranged (see the next page), except that the paper-edge sensor has two actuators for sensing the paper and the paper front cover. When an actuator is not activated, its white end lies in the path of light issued from the light-emitting diode and reflects its light so that the reflected light enters the light-sensitive transistor. If a document or paper comes in so as to activate the actuator, the actuator's white end goes out of the light path and no reflected light enters the light-sensitive transistor. This way, the sensor detects the presence of documents or paper.

- Cover sensor which detects whether the recording paper cover ASSY is closed.
- Ribbon sensor which detects whether the ink ribbon is loaded.
- Hook switch sensor* which detects whether the handset is placed on the handset mount.

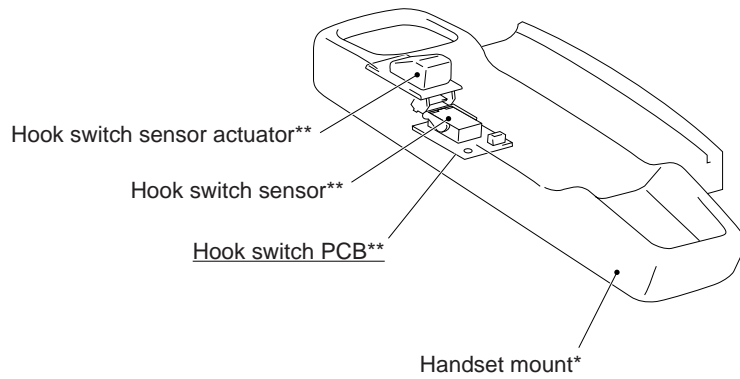
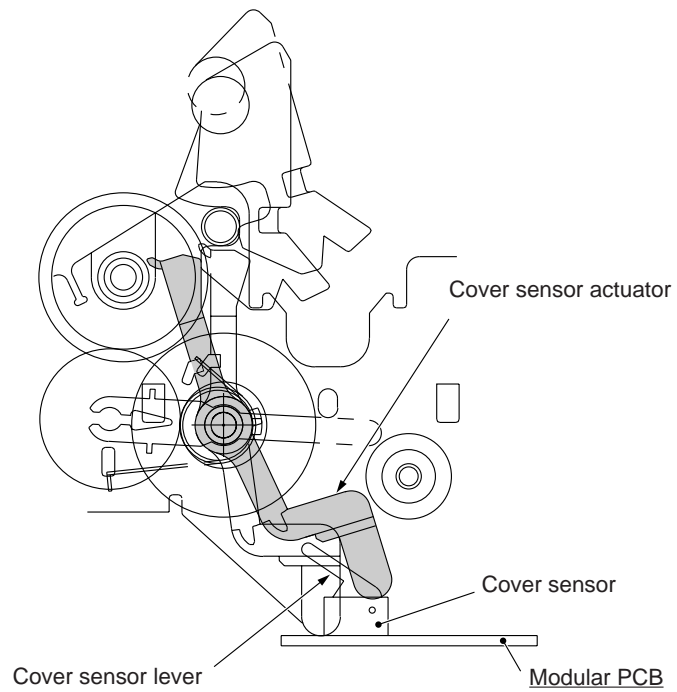
The cover sensor has an actuator separately arranged (see page III-18). If the actuator is activated, its lower end releases the cover sensor lever so that the sensor signals the detection.



* Not provided on the FAX1010



Location of Sensors and Actuators (1)



Location of Sensors and Actuators (2)

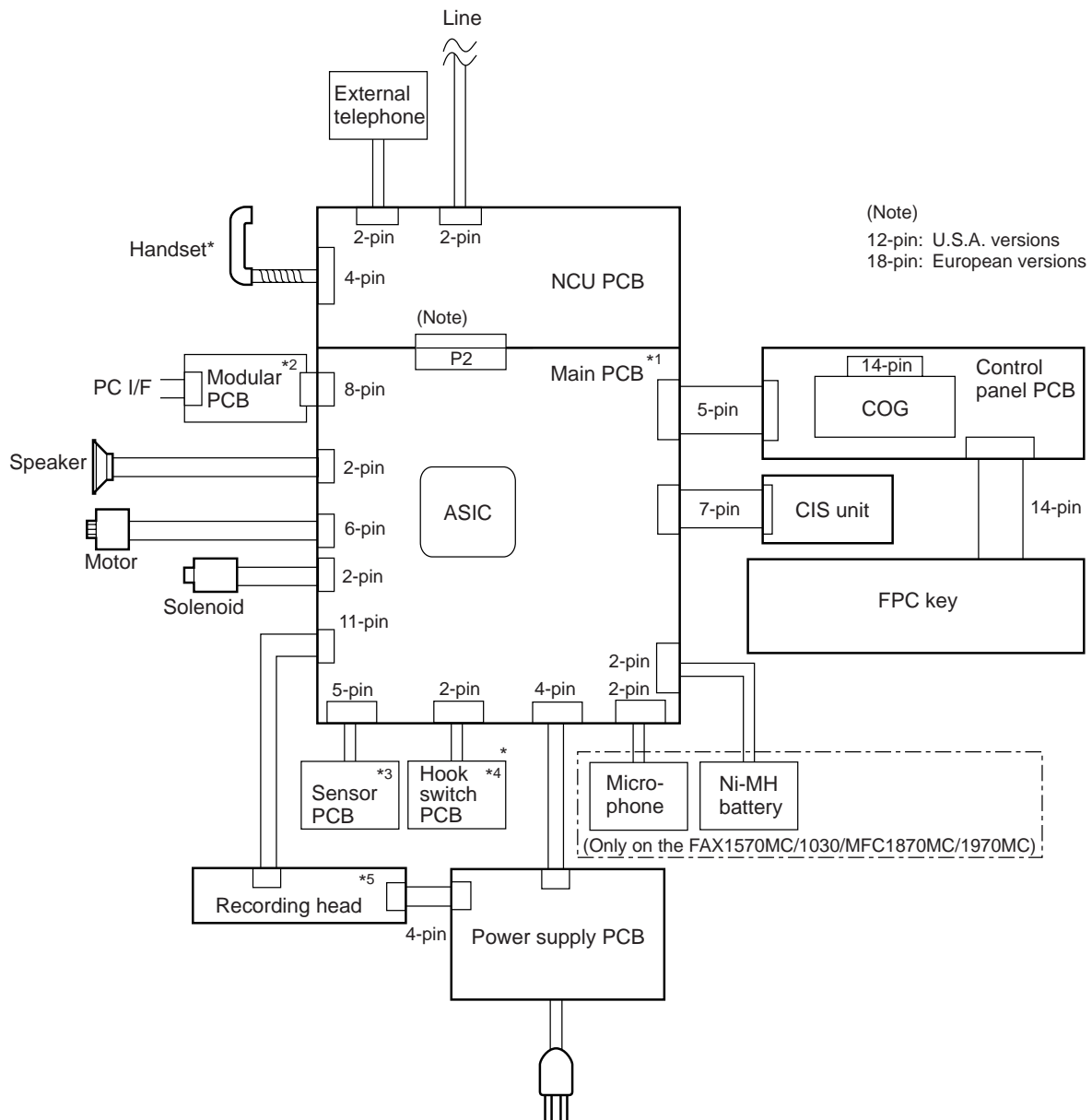
* Not provided on the FAX1010

** Not provided on the FAX1010 or those versions equipped with a Binatone handset

3. CONTROL ELECTRONICS

3.1 Configuration

The hardware configuration of the facsimile equipment is shown below.

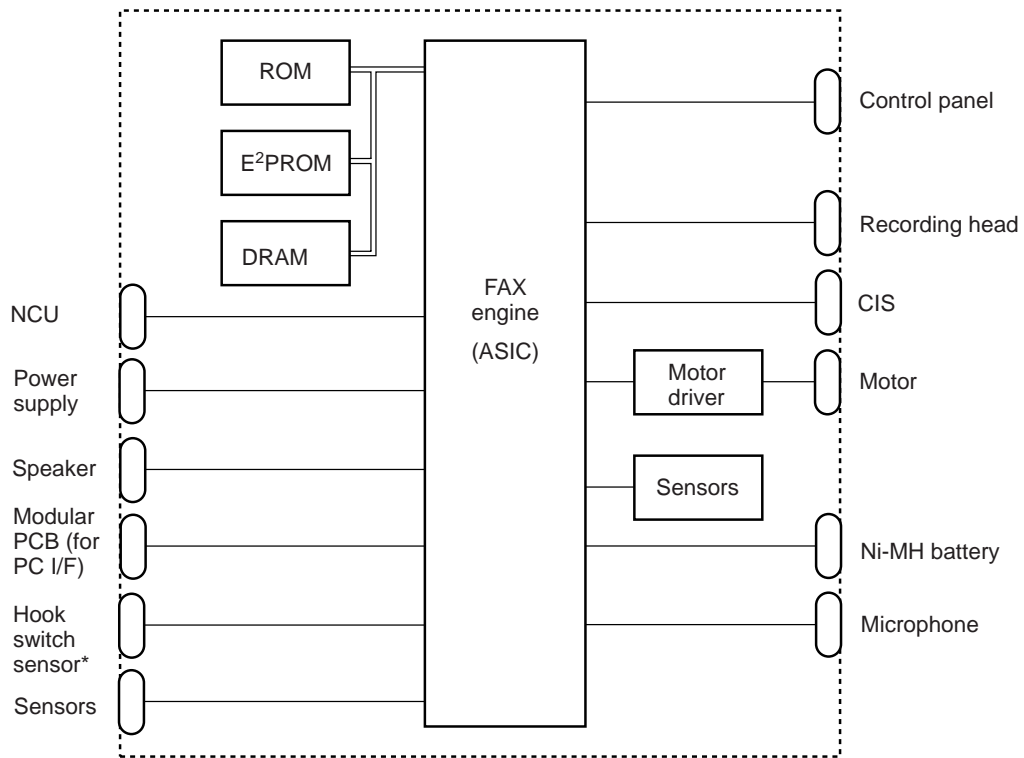


* Not provided on the FAX1010

Configuration of Facsimile Equipment

3.2 Main PCB

The main PCB, which is the nucleus controlling the entire operation of the equipment, consists of a FAX engine (ASIC), memories, MODEM, motor drive circuitry, sensor detection circuitry, and analog circuits for scanning, recording, and power transmission shifting.

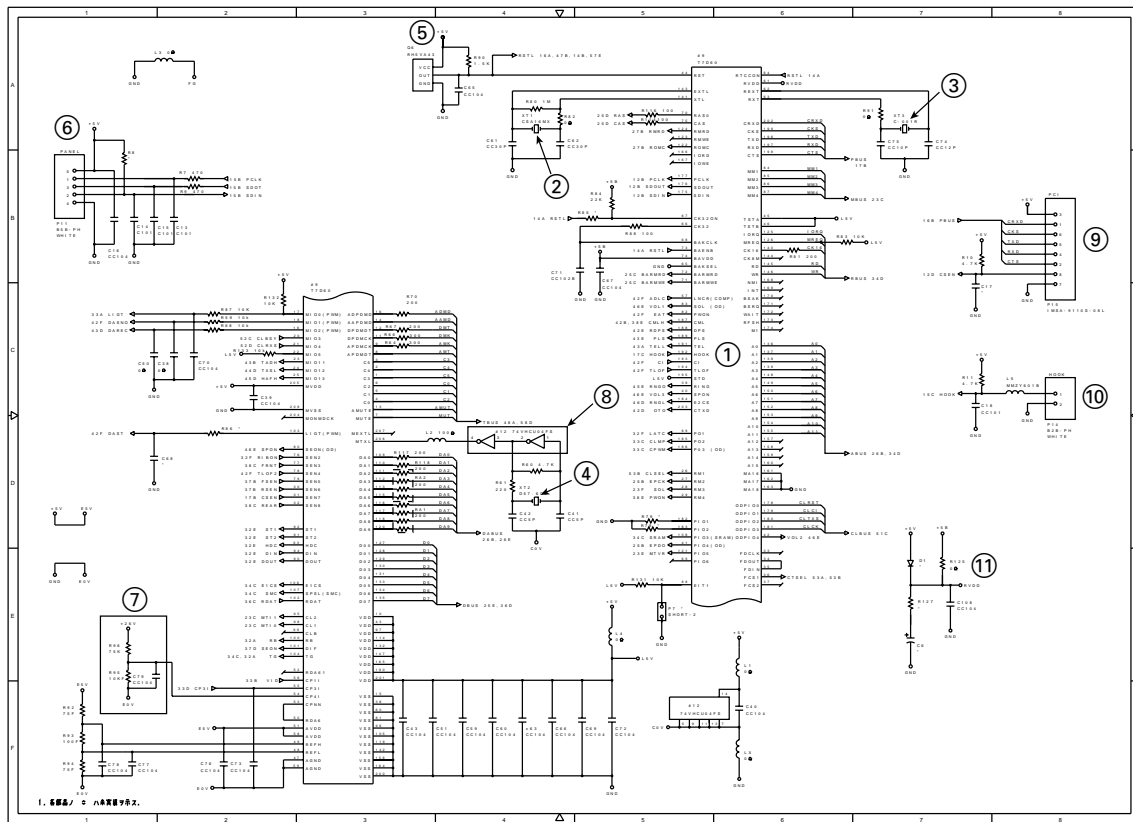


E²PROM: Electrically Erasable Programmable Read-only Memory
 DRAM: Dynamic Random Access Memory

** Not provided on the FAX1010 or those versions equipped with a Binatone handset

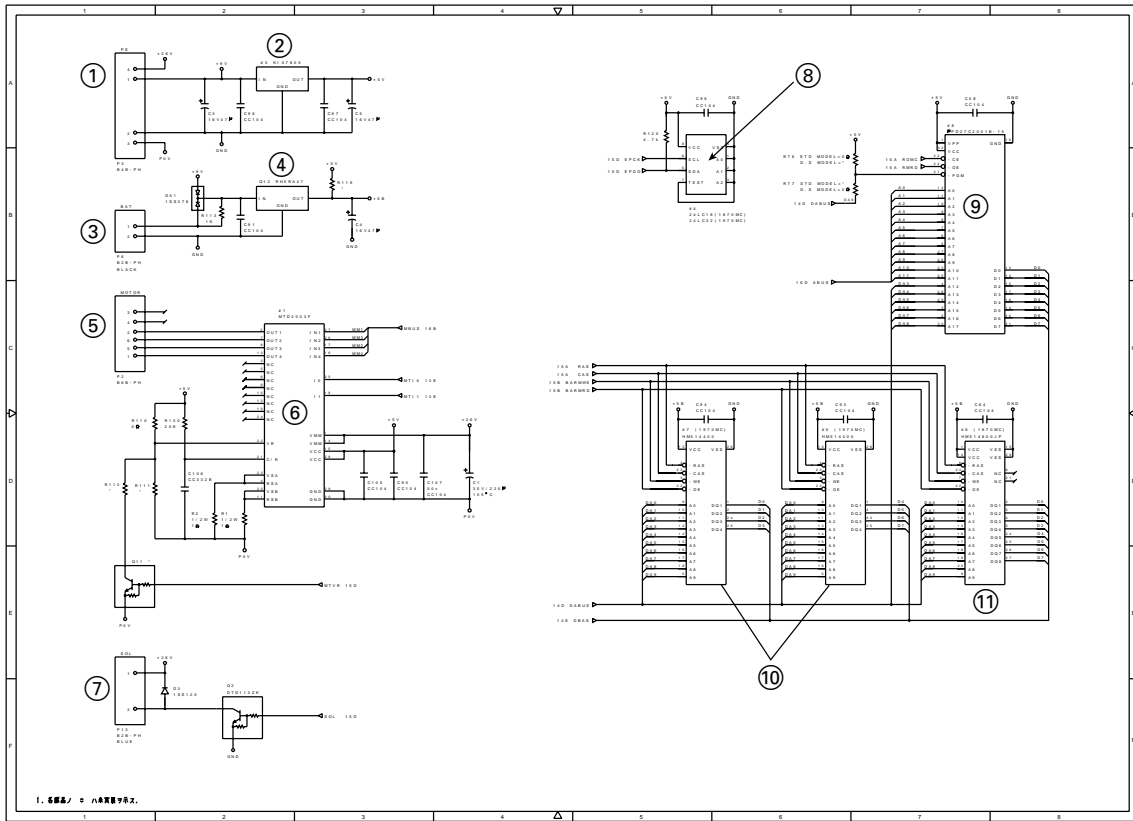
Block Diagram of Main PCB

On the following pages, the main PCB circuit diagrams are described on the basis of the FAX1570MC/1030/MFC1870MC/1970MC.



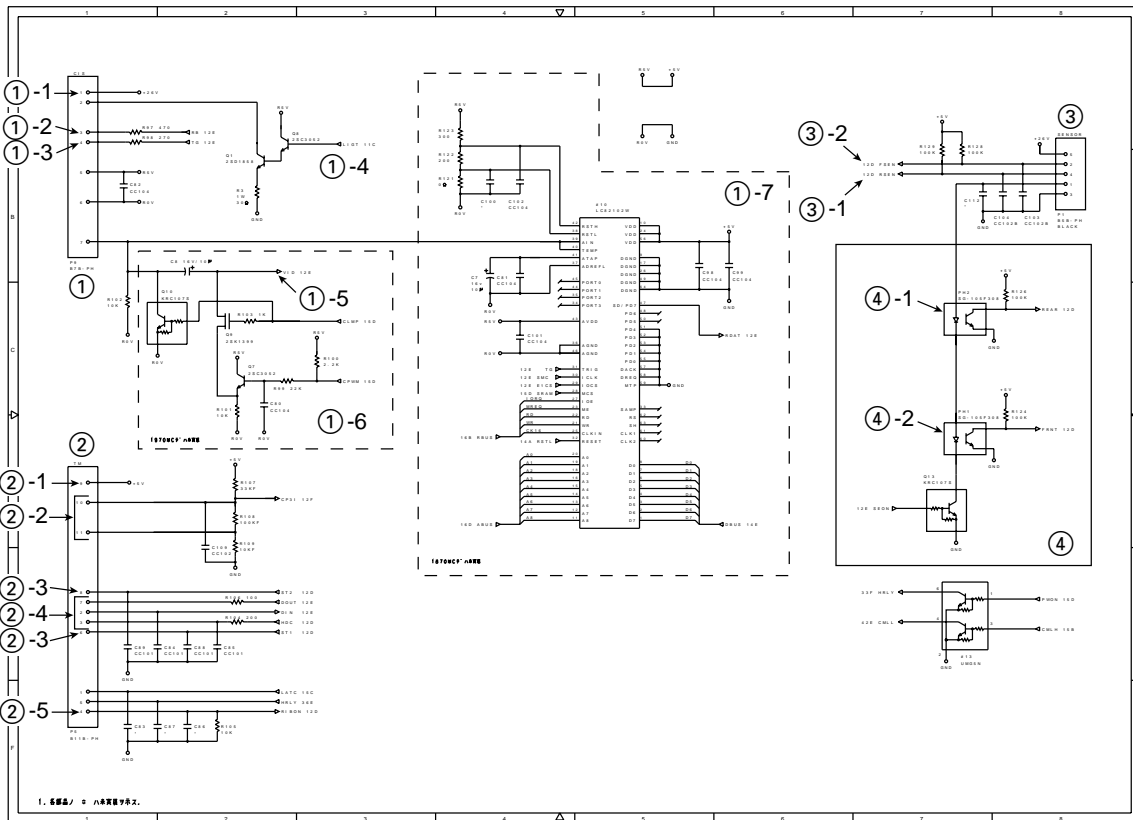
Main PCB Circuit Diagram 1/5

- ① FAX engine (ASIC) which integrates a CPU, digital portion of MODEM and gate array for managing the I/Os, memories, and drivers.
- ② XT1, oscillator for the CPU.
- ③ XT3, oscillator for the calendar clock.
- ④ XT2, oscillator for the MODEM.
- ⑤ Reset IC which turns on at the powering-on sequence and at any of the reset operations.
- ⑥ Connector for the control panel
- ⑦ Recording head drive voltage detector
- ⑧ Inverters
- ⑨ Connector for the modular PCB
- ⑩ Connector for the hook switch PCB
- ⑪ Backup circuit for the calendar clock



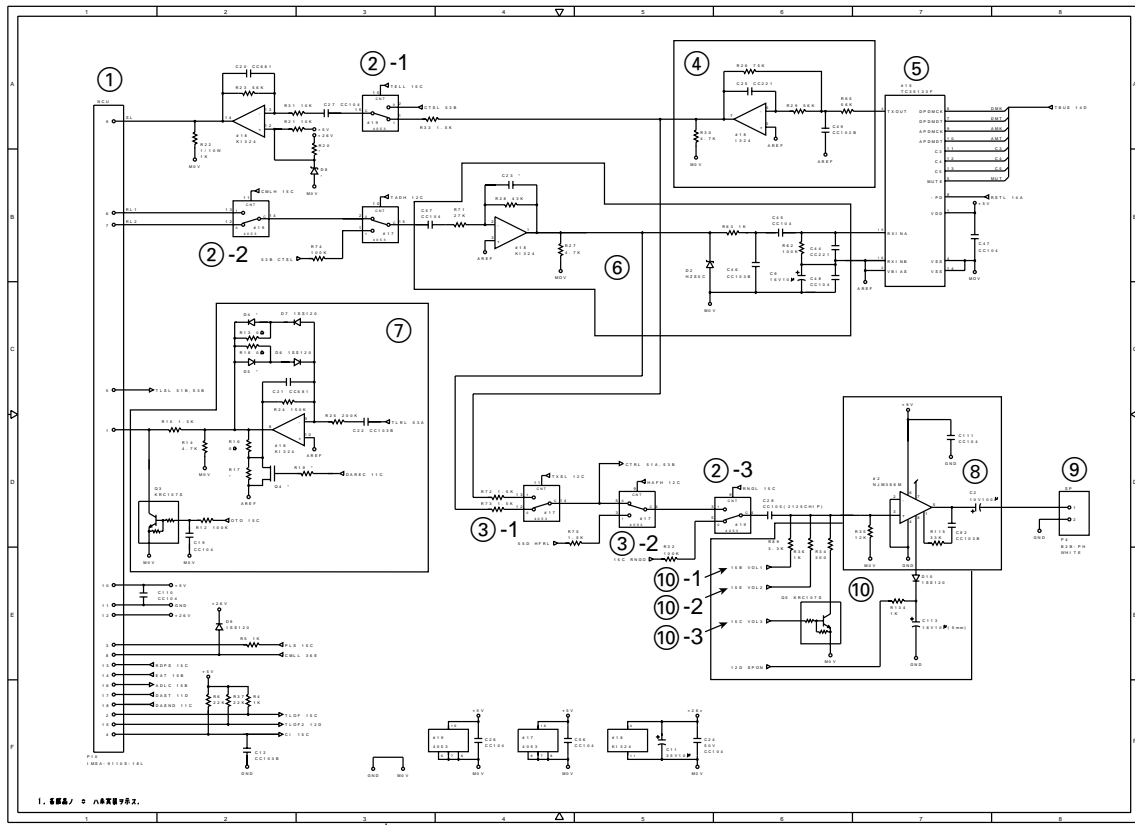
Main PCB Circuit Diagram 2/5

- ① Connector for the power supply PCB which supplies 25V and 8V.
- ② 3-terminal regulator which eliminates unstabilized components of the +8V source to generate stabilized +5V source.
- ③ Connector for the Ni-MH battery which supplies approx. 5V.
(Provided on the FAX1570MC/1030/MFC1870MC/1970MC)
- ④ 3-terminal regulator which generates +5B source from +8V to back up the DRAM (that stores received data).
(Provided on the FAX1570MC/1030/MFC1870MC/1970MC)
- ⑤ Connector for the motor
- ⑥ Motor driver
- ⑦ Connector for the clutch solenoid (that switches the power transmission).
- ⑧ E²PROM (32-kilobit for the FAX1570MC/1030/MFC1970MC, 16-kilobit for other models.)
- ⑨ ROM (2-megabit. Note that the qualification machines for demonstration have a 4-megabit ROM.)
- ⑩ DRAMs (1-megabyte, two 4-megabit chips) provided on the FAX1570MC/1030/MFC1970MC.
- ⑪ DRAM (512-kilobyte) provided on the MFC1870MC. The FAX1170/1270/1010/1020/MFC1770 has its equivalent DRAM on location #7.



Main PCB Circuit Diagram 3/5

- ① Connector for the CIS
 - ①-1: Power for the CIS LED array
 - ①-2: Clock output
 - ①-3: Trigger signal output. One shot of this signal triggers a line of scan.
 - ①-4 LED control signal output circuit which controls the intensity of the CIS LED array.
 - ①-5: Input of video data (VID) to the FAX engine
 - ①-6: Clamp circuitry that gives the bias level to the amplifier of the VID input circuit according to the CLMP and CPWM signals issued by the CPU (that monitors the current video data input) for compensating the DC component of video signals for the next scan line. Working with the FAX engine, this circuitry carries out the standard scanning. (This circuitry is provided on the FAX1170/1270/1010/1020/MFC1770/1870MC.)
 - ①-7 SANYO LSI that carries out the high-quality scanning. (Provided on the FAX1570MC/1030/MFC1970MC)
- ② Connector for the thermal recording head
 - ②-1: Power 5V for the thermal recording head
 - ②-2: Thermister signals which are normalized by the resistor network and fed to the FAX engine
 - ②-3: Strobe signals
 - ②-4: Data signals
 - ②-5: Ribbon sensor signal
- ③ Connector for the sensor PCB
 - ③-1: Paper-edge sensor signal
 - ③-2: Paper ejection sensor signal
- ④ Document front and rear sensor circuitry that is active only while the SEON signal is on.
 - ④-1:PH2, document rear sensor
 - ④-2:PH1, document front sensor



Main PCB Circuit Diagram 4/5

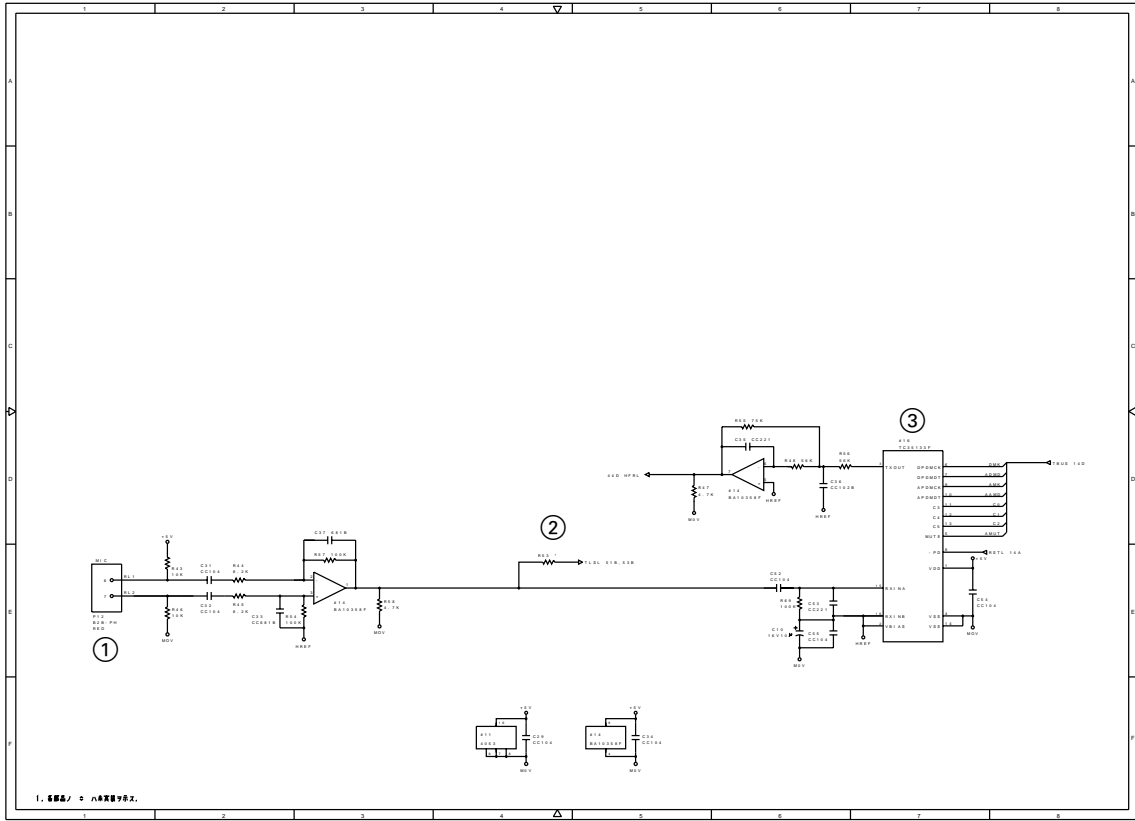
- ① Connector for the NCU
- ② Analog signal selectors
 - ②-1: Selects either input signals from the handset or those from the MODEM.
 - ②-2: Selects either RL1 or RL2 signals inputted from the communications network.
 - ②-3: Selects either sound signals (e.g., alarm beeps, key clicks and ringer sounds) generated by the FAX engine or signals selected by ②-2.
- ③ Voice switching analog selectors
 - ③-1: Switches between the output line and input line for monitoring. When switched to the output line, this selector allows FAX sending operation to be monitored; when switched to the input line, it allows received voices to be monitored.
 - ③-2: Selects either voice signals inputted from the communications network or recorded voice signals inputted from the microphone or handset through the MODEM.
- ④ Amplifier circuit for signals outputted from the MODEM.
- ⑤ Analog front end IC which processes the analog I/O signals from/to the MODEM.
- ⑥ Amplifier & shaper circuit for signals inputted from the communications network.
- ⑦ Telephone circuit for transmitting signals.
- ⑧ Speaker amplifier circuit which amplifies sounds issued from the above analog signal selector ②-3 and feeds them to the speaker.

⑨ Connector for the speaker

⑩ Speaker volume control circuit

| | | | |
|----------------|------|--------|-----|
| ⑩-1: VOL1 | OFF | ON | ON |
| ⑩-2: VOL2 | OFF | OFF | ON |
| ⑩-3: VOL3 | OFF | OFF | ON |
| Speaker volume | High | Medium | Low |

(ON: Closed OFF: Opened)

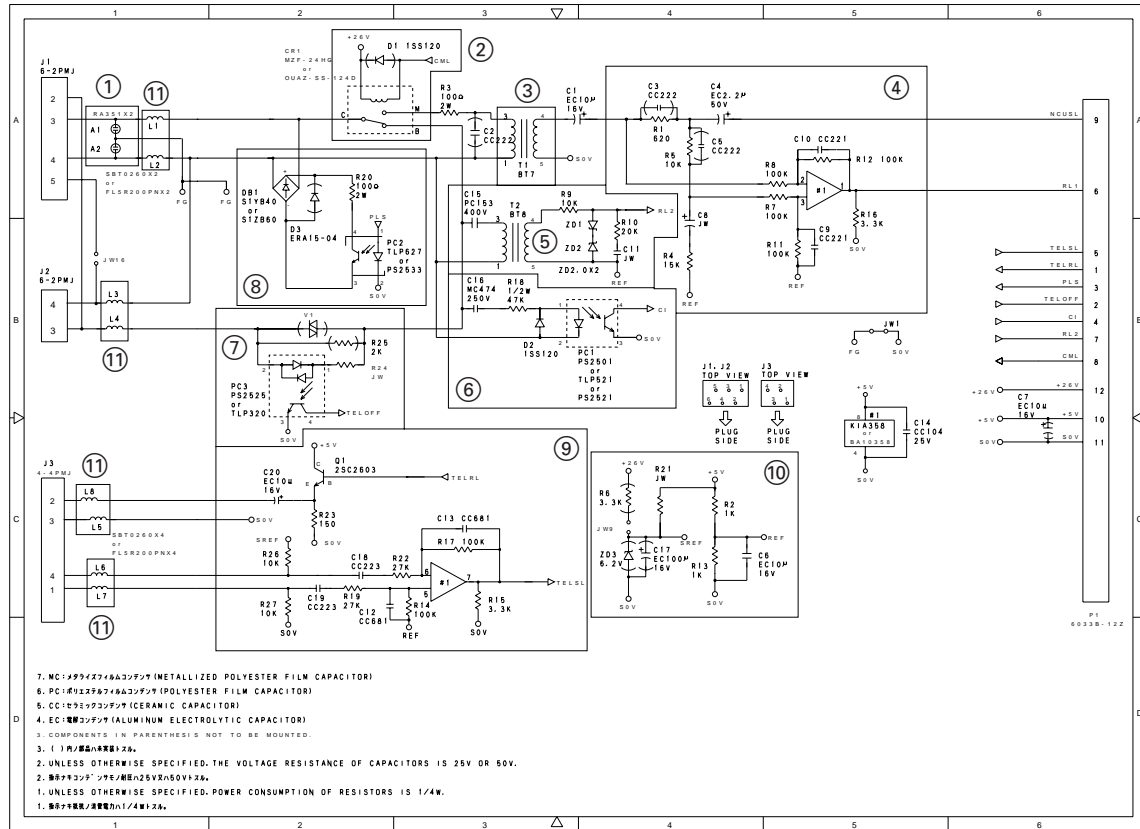


Main PCB Circuit Diagram 5/5

- ① Connector for the microphone
 - ② Voice signal amplifier circuit
 - ③ Analog portion of MODEM
- } These are provided on the FAX1570MC/
1030/MFC1870MC/1970MC.

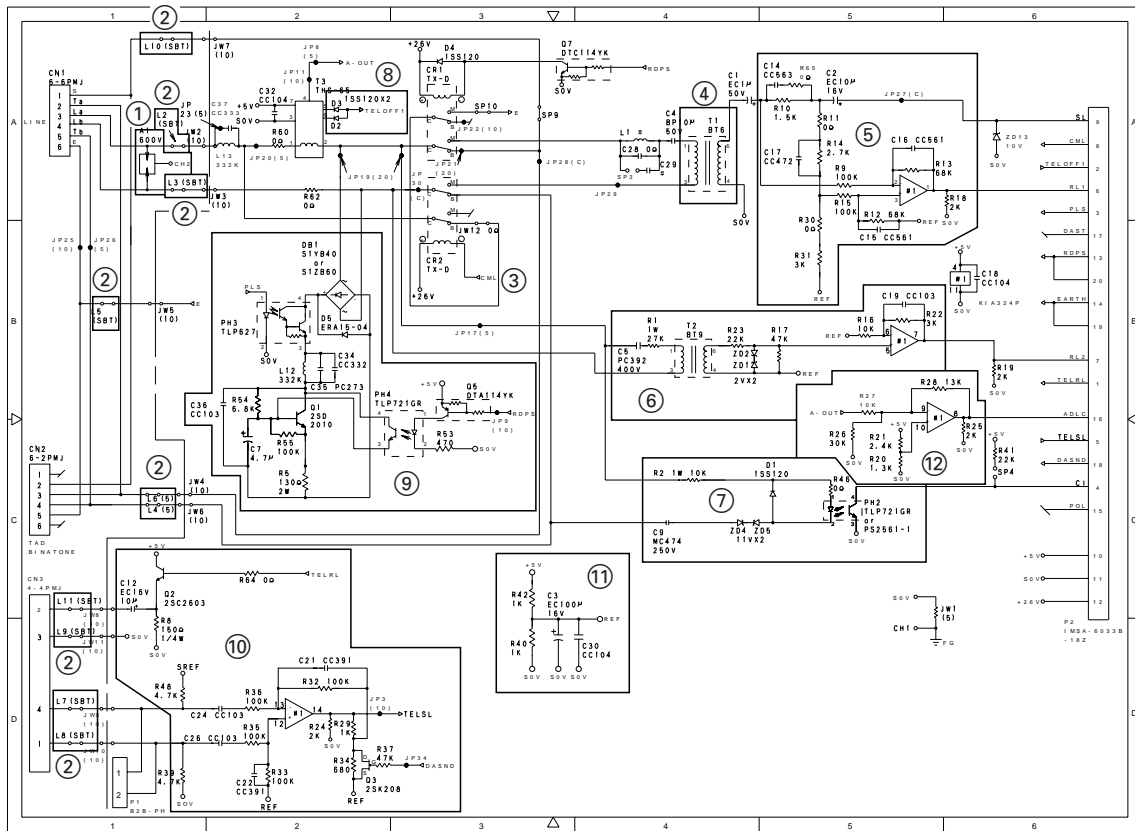
3.3 NCU PCB

The NCU PCB switches the communications line to telephone or built-in MODEM, under the control of the main PCB.



NCU PCB Circuit Diagram (U.S.A. versions)

- ① Surge absorbers
- ② Line relay (CML relay)
- ③ Line transformer
- ④ Circuit related to the line transformer
- ⑤ High-impedance transformer circuit
- ⑥ Calling signal detector
- ⑦ Loop current detector
- ⑧ Dial pulse generator
- ⑨ Telephone circuit
- ⑩ Reference voltage generation circuit for the operational amplifiers in ④ and ⑨
- ⑪ Noise filters (provided on the FAX1570MC/MFC1870MC/1970MC)



NCU PCB Circuit Diagram (European versions)

- ① Surge absorber
- ② Noise filters
- ③ Line relay (CML relay)
- ④ Line transformer
- ⑤ Circuit related to the line transformer
- ⑥ High-impedance transformer circuit
- ⑦ Calling signal detector
- ⑧ Loop current detector
- ⑨ Dial pulse generator & DC current loop circuit
- ⑩ Telephone circuit
- ⑪ Reference voltage generation circuit for the operational amplifier in ⑤.
- ⑫ Line current detection input circuit

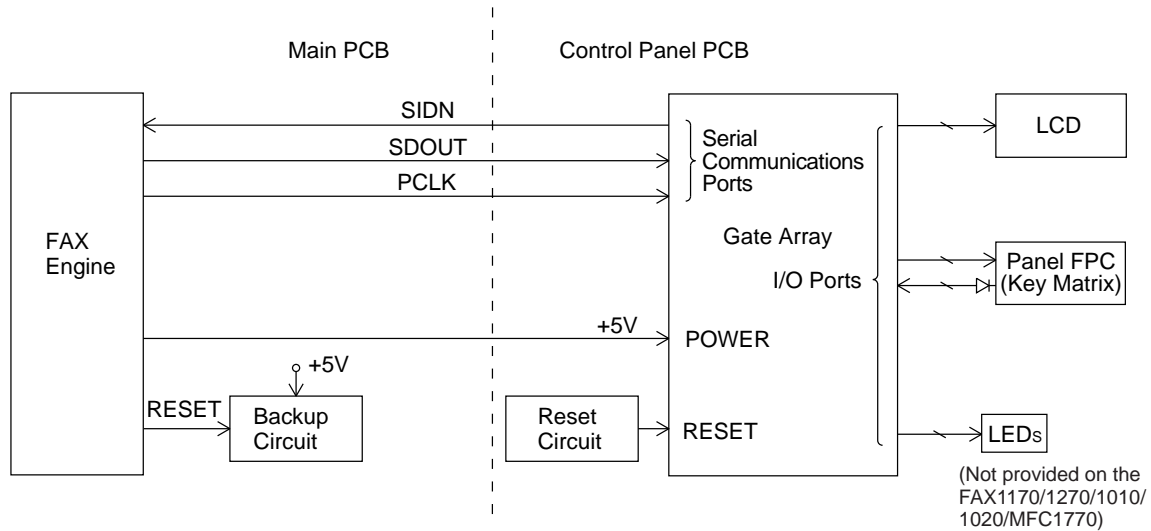
3.4 Control Panel PCB

The control panel PCB and the main PCB communicate with each other by serially transmitting commands and data.

The control panel unit consists of a gate array, an LCD and LEDs (not provided on the FAX1170/1270/1010/1020/MFC1770), which are controlled by the gate array according to commands issued from the FAX engine on the main PCB.

The calendar clock is backed up by the backup circuit on the main PCB.

The panel FPC is a flexible keyboard PCB which integrates the key matrix having rubber keytops.



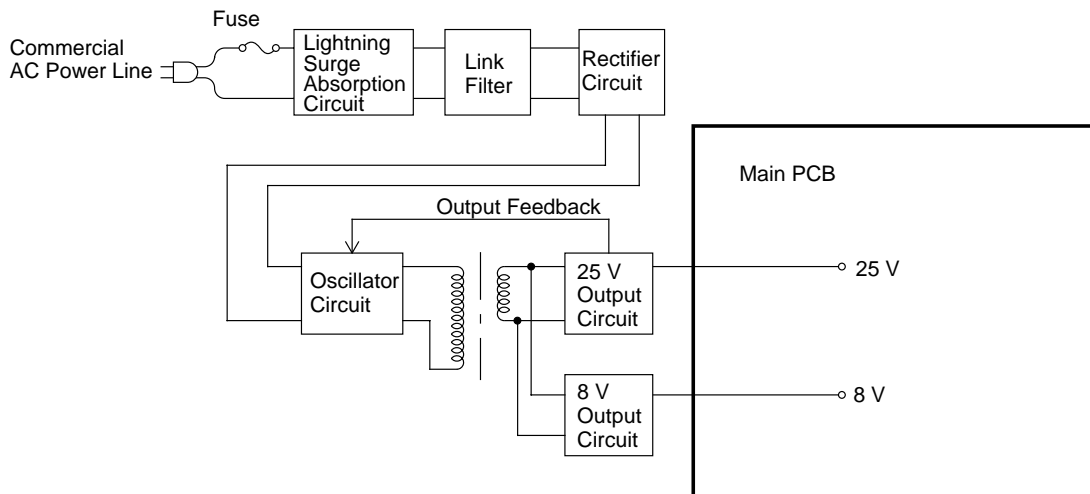
Control Panel PCB and its Related Circuit

3.5 Power Supply PCB

The power supply uses the switching regulation system to generate DC power (+25V and +8V) from a commercial AC power supply.

The +25V source is stabilized and fed to the motor and solenoid for feeding documents and recording paper, the main PCB, and also fed to the CIS LED array.

The +8V source is not stabilized and fed to the speaker. It is also fed to the main PCB where the 3-terminal regulator eliminates unstabilized components of the +8V source to generate stabilized +5V source. The +5V source is fed to the logic, control panel, recording head, and sensors.



Power Supply Circuit

CHAPTER **IV**.
DISASSEMBLY/REASSEMBLY
AND LUBRICATION

CONTENTS

| | |
|---|--------------|
| 1. DISASSEMBLY/REASSEMBLY | IV-1 |
| ■ Safety Precautions | IV-1 |
| Tightening Torque List | IV-2 |
| ■ Preparation | IV-3 |
| ■ How to Access the Object Component | IV-3 |
| ■ Disassembly Order Flow | IV-4 |
| 1.1 Recording Head ASSY | IV-5 |
| 1.2 Recording Paper Cover ASSY | IV-8 |
| 1.3 Platen | IV-9 |
| 1.4 Lock Levers and Their Shaft | IV-10 |
| 1.5 Chute ASSY | IV-11 |
| 1.6 Paper Feed Roller ASSY and Paper Feed Sub Chute | IV-12 |
| 1.7 Paper Feed Chute, Sensor PCB, and Paper-edge and Paper Ejection Sensor Actuators | IV-15 |
| 1.8 Paper Ejection Roller | IV-17 |
| 1.9 Gears on the Platen Frame | IV-18 |
| 1.10 Control Panel ASSY | IV-19 |
| 1.11 Panel Rear Cover and Control Panel | IV-21 |
| 1.12 Inner Cover | IV-23 |
| 1.13 White Pressure Roller and CIS Unit | IV-24 |
| 1.14 Handset Mount | IV-26 |
| 1.15 Side Covers R and L | IV-27 |
| 1.16 Speaker and Battery | IV-29 |
| 1.17 Document Front Sensor Actuator | IV-30 |
| 1.18 Main Frame | IV-31 |
| 1.19 Separation Roller, its Support, and Document Rear Sensor Actuator ... | IV-33 |
| 1.20 Document Ejection Roller and CIS Leaf Spring | IV-35 |
| 1.21 Motor | IV-36 |
| 1.22 Solenoid | IV-37 |
| 1.23 Drive Gears | IV-38 |
| 1.24 Friction Torque Transmission ASSY, its Related Gears, and Slip Gear 40 | IV-39 |
| 1.25 Ribbon Bushings | IV-40 |
| 1.26 Bottom Plate | IV-40 |
| 1.27 Main PCB, NCU PCB and Modular PCB | IV-41 |
| 1.28 Power Supply PCB | IV-43 |
| 1.29 Harness Routing | IV-45 |
| 2. LUBRICATION | IV-46 |

1. DISASSEMBLY/REASSEMBLY

■ Safety Precautions

To prevent the creation of secondary problems by mishandling, observe the following precautions during maintenance work.

- (1) Always turn off the power before replacing parts or units. When having access to the power supply, be sure to unplug the power cord from the power outlet.
- (2) Be careful not to lose screws, washers, or other parts removed for parts replacement.
- (3) When using soldering irons and other heat-generating tools, take care not to damage the resin parts such as wires, PCBs, and covers.
- (4) Before handling the PCBs, touch a metal portion of the equipment to discharge static electricity; otherwise, the electronic parts may be damaged due to the electricity charged in your body.
- (5) When transporting PCBs, be sure to wrap them in conductive sheets such as aluminum foil.
- (6) Be sure to reinsert self-tapping screws correctly, if removed.
- (7) Tighten screws to the torque values listed on the next page.
- (8) When connecting or disconnecting cable connectors, hold the connector bodies not the cables. If the connector has a lock, always slide the connector lock to unlock it.
- (9) Before reassembly, apply the specified lubricant to the specified points. (Refer to Section 2 in this chapter.)
- (10) After repairs, check not only the repaired portion but also that the connectors and other related portions function properly before operation checks.

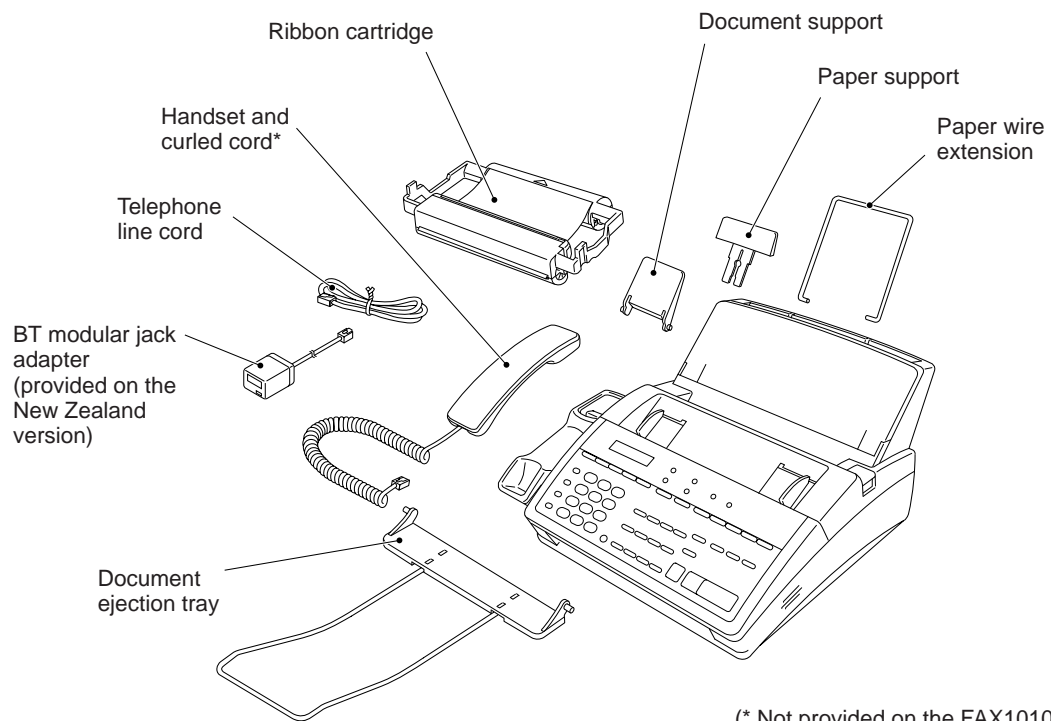
Tightening Torque List

| Location | Screw type | Q'ty | Tightening torque (kgf•cm) |
|--|---------------------------|------|----------------------------|
| Recording head ASSY | Screw, cup S 3x6 | 2 | 7 ±2 |
| Recording paper cover ASSY | Taptite, cup S 3x8 | 2 | 7 ±2 |
| Chute ASSY | Taptite, cup S 3x8 | 2 | 5 ±2 |
| Paper feed chute | Taptite, cup S 3x8 | 2 | 5 ±2 |
| Panel rear cover | Taptite, cup B 3x8 | 4 | 4 ±2 |
| Inner cover | Taptite, cup S 3x8 | 4 | 5 ±2 |
| CIS holders R and L | Taptite, cup B 3x8 | 2 | 4 ±1 |
| Handset mount | Taptite, cup B 3x8 | 2 | 5 ±2 |
| Bottom plate (main frame) | Screw, cup S 3x6 | 2 | 7 ±2 |
| Main frame | Taptite, cup B 3x8 | 4 | 5 ±2 |
| Motor | Screw, pan (washer) 3x6DB | 1 | 7 ±2 |
| Friction holder (Friction torque transmission ASSY) | Screw, cup S 3x6 | 1 | 7 ±2 |
| Bottom plate | Taptite, cup B 3x8 | 6 | 5 ±2 |

■ Preparation

Prior to proceeding to the disassembly procedure,

- (1) Unplug
 - the modular jack of the telephone line,
 - the modular jack of the curled cord (and remove the handset),
 - the BT modular jack adapter if mounted, and
 - the modular jack of an external telephone set if mounted. (Not shown below.)
- (2) Remove
 - the paper wire extension,
 - the paper support,
 - the document support,
 - the document ejection tray, and
 - the ribbon cartridge.

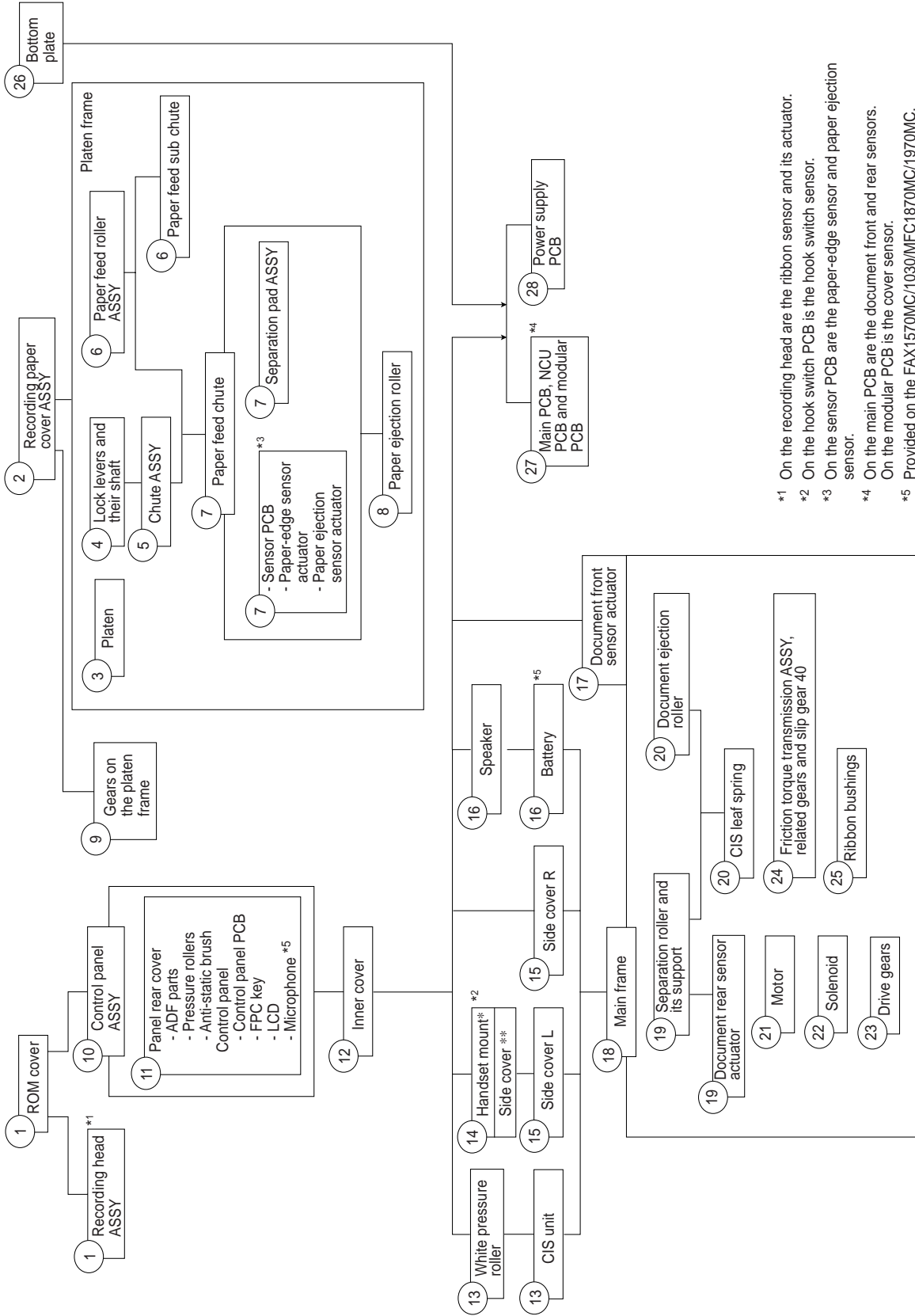


(* Not provided on the FAX1010)

■ How to Access the Object Component

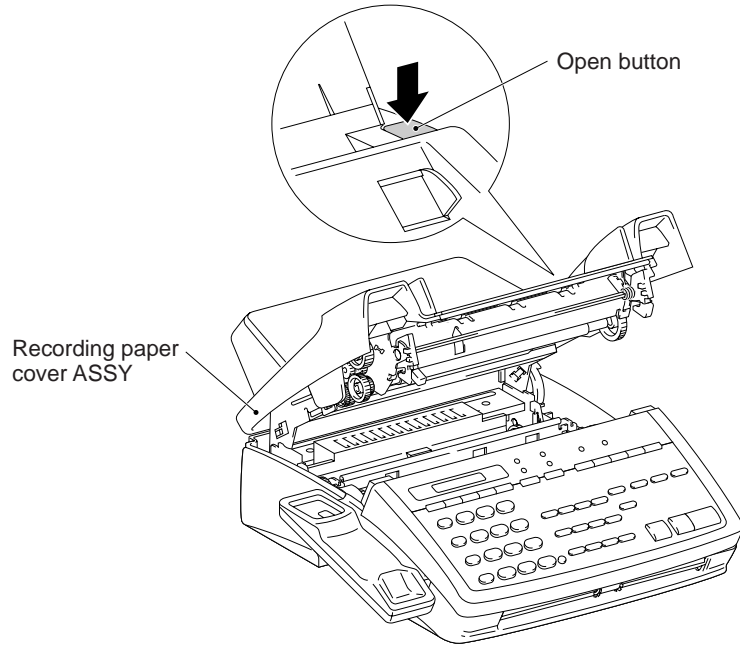
- On the next page is a disassembly order flow which helps you access the object component. To remove the separation roller, for example, first find it on the flow and learn its number (19 in this case). You need to remove parts numbered 1, 10, 12, 13, 14, 15, 16, 17, and 18 so as to access the separation roller.
- Unless otherwise specified, the disassembled parts or components should be reassembled in the reverse order of removal.

Disassembly Order Flow

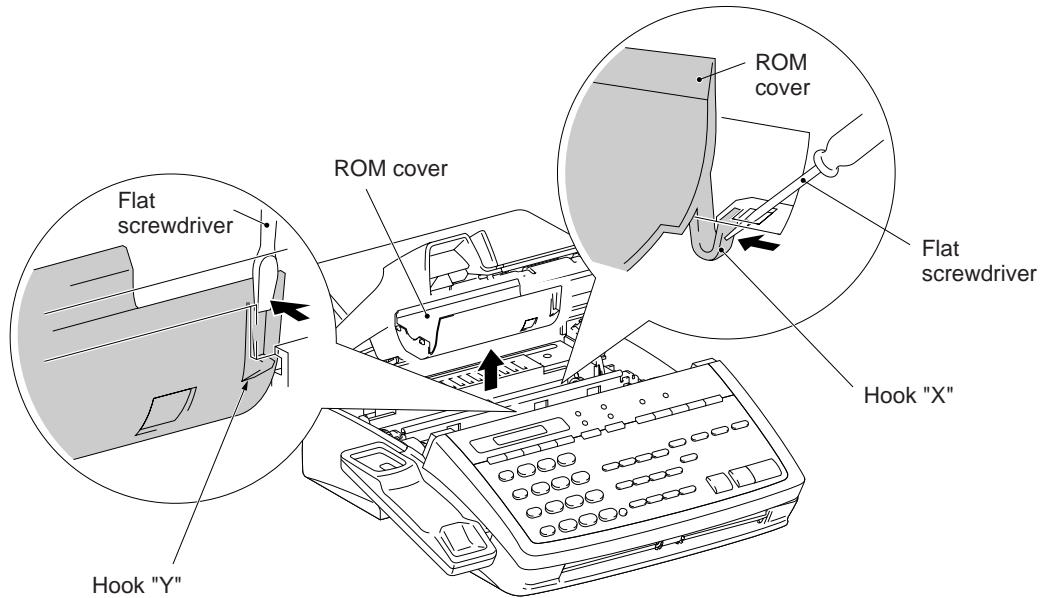


1.1 Recording Head ASSY

- (1) Push the open button and fully open the recording paper cover ASSY.

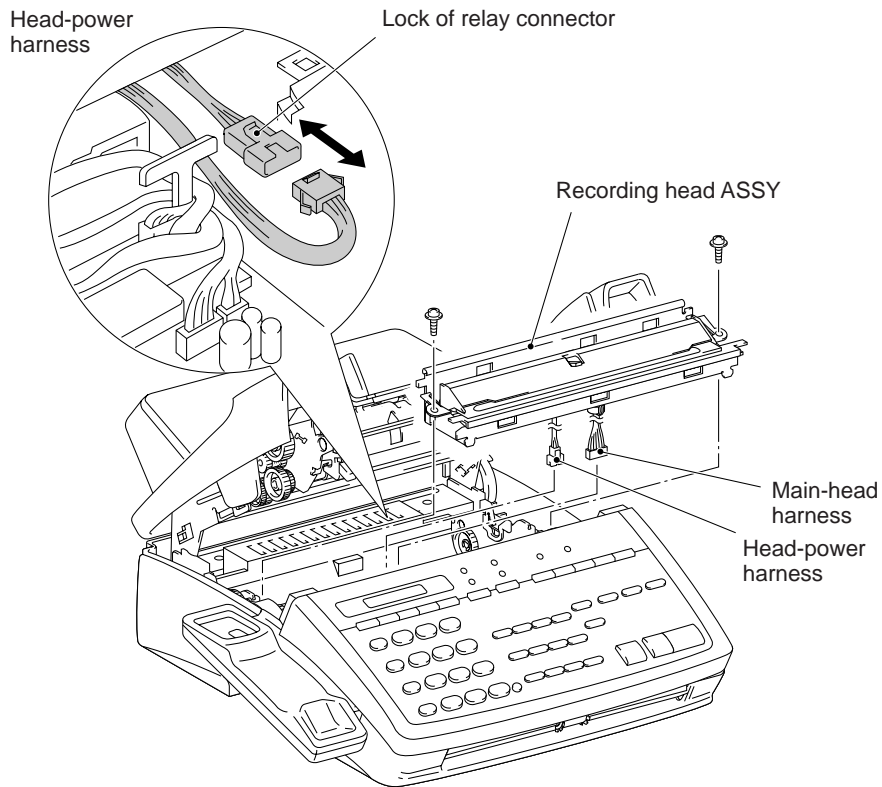


- (2) As shown below, insert the tip of a flat screwdriver into the square hole and release the hook "x" of the ROM cover, lift up the ROM cover slightly, and then release the hook "y" to take out the ROM cover.



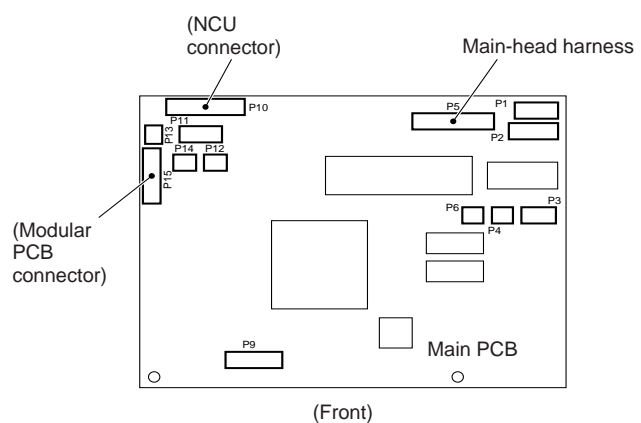
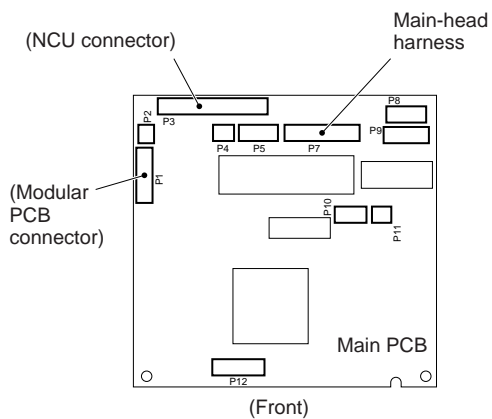
- (3) Remove the two screws from the recording head ASSY.
- (4) Disconnect the relay connector of the head-power harness.

NOTE: To disconnect the relay connector, push the lock of the relay connector to release.
- (5) Disconnect the main-head harness from the main PCB.
- (6) Lift up the recording head ASSY.

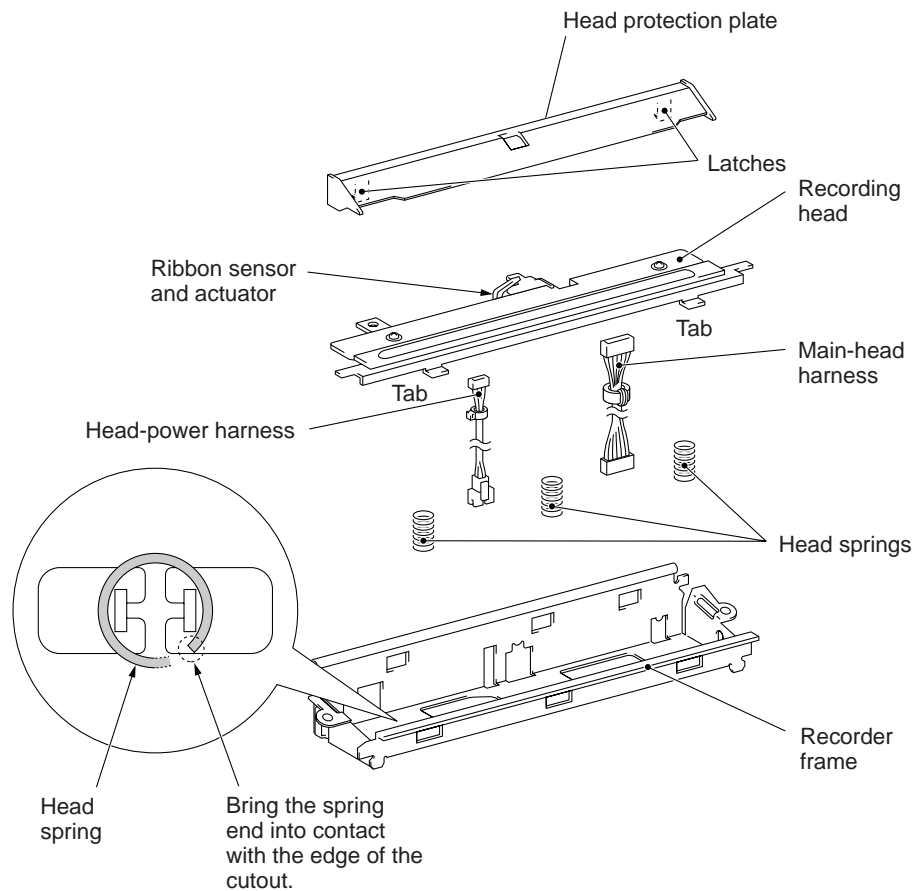


FAX1170/1270/1010/1020/MFC1770

FAX1570MC/1030/MFC1870MC/1970MC



- (7) To disassemble the recording head ASSY, follow the steps below.
- 1) Remove the head protection plate by unhooking the two latches.
 - 2) Turn the recording head ASSY upside down and release the head-power harness from the adhesive tape.
 - 3) Place the recording head ASSY rightside up.
 - 4) Push down both ends of the recording head and move it to the rear to release the tabs from the cutouts provided in the recorder frame as shown below.
- NOTE:** Take care not to lose the three springs placed under the recording head.

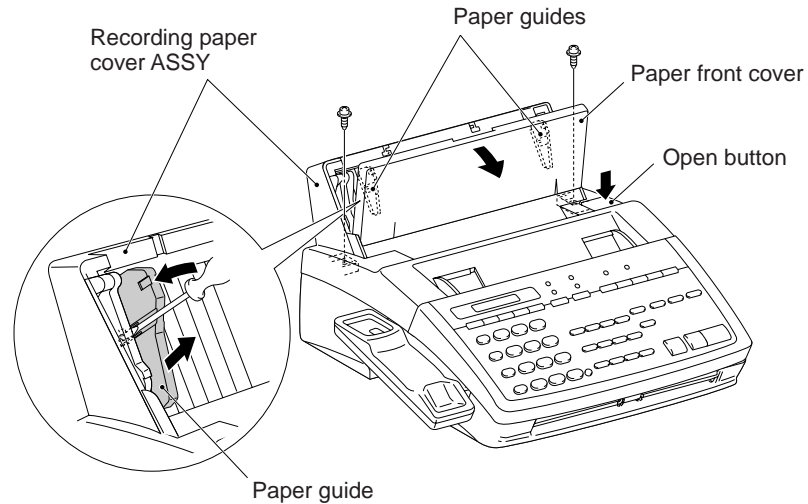


■ Reassembling Notes

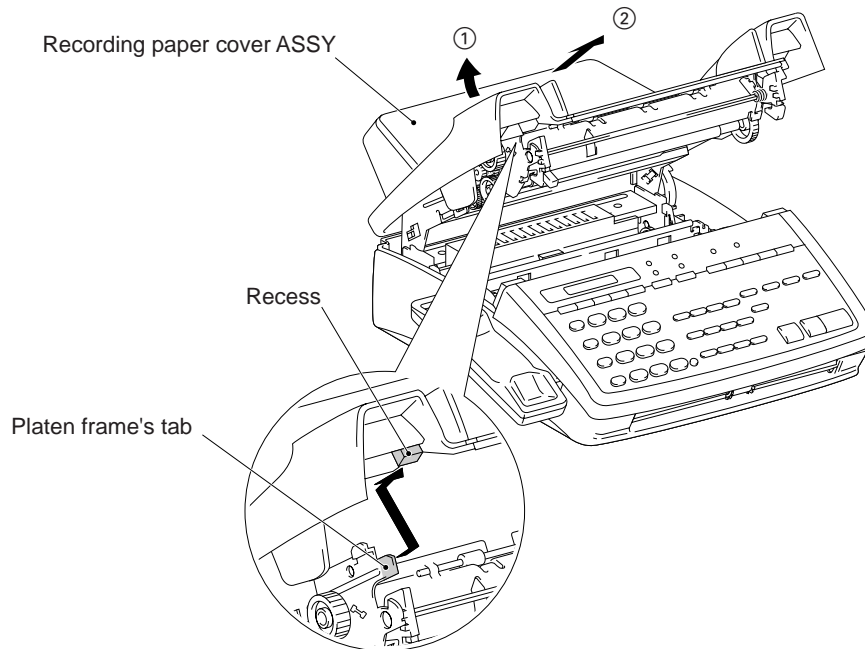
- When reinstalling the recording head, make sure that the three head springs are set into place; that is, each spring end is in contact with the edge of the cutout as illustrated above.
- Be sure to tape the head-power harness onto the bottom of the recorder frame.
- When reinstalling the recording head ASSY, put the two harnesses under the center beam of the main frame as shown in Section 1.29.
- After installation, check the routing of the main-head harness and head-power harness, referring to Section 1.29.

1.2 Recording Paper Cover ASSY

- (1) Pull the paper front cover towards you.
- (2) To remove the A4 paper guides, insert the tip of a flat screwdriver as shown below and twist it to release two latches of each paper guide from the recording paper cover.
NOTE: Once removed, those paper guides will become unusable and new parts will have to be put back in.
- (3) Remove the two screws.
- (4) Push the open button and open the recording paper cover ASSY.



- (5) Lift up the rear of the recording paper cover ASSY and take it out to the front.

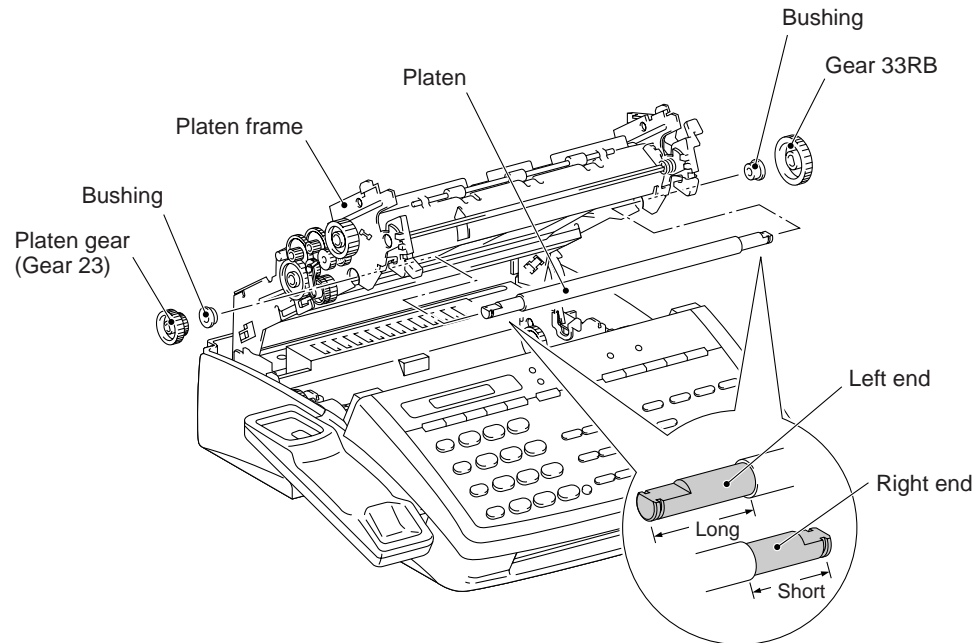


■ Reassembling Notes

- When reinstalling the recording paper cover ASSY, first fit the recesses provided on the right and left insides of the recording paper cover ASSY over the tabs of the platen frame, and then put the rear of the recording paper cover ASSY into place.

1.3 Platen

- (1) At the left end of the platen, remove the platen gear (Gear 23) by pulling its pawl outwards and then remove the bushing.
- (2) At the right end, remove the gear 33RB by pulling its pawl outwards and then remove the bushing.
- (3) Move the platen to the left to take out the right end from the platen frame and then take it out to the right.

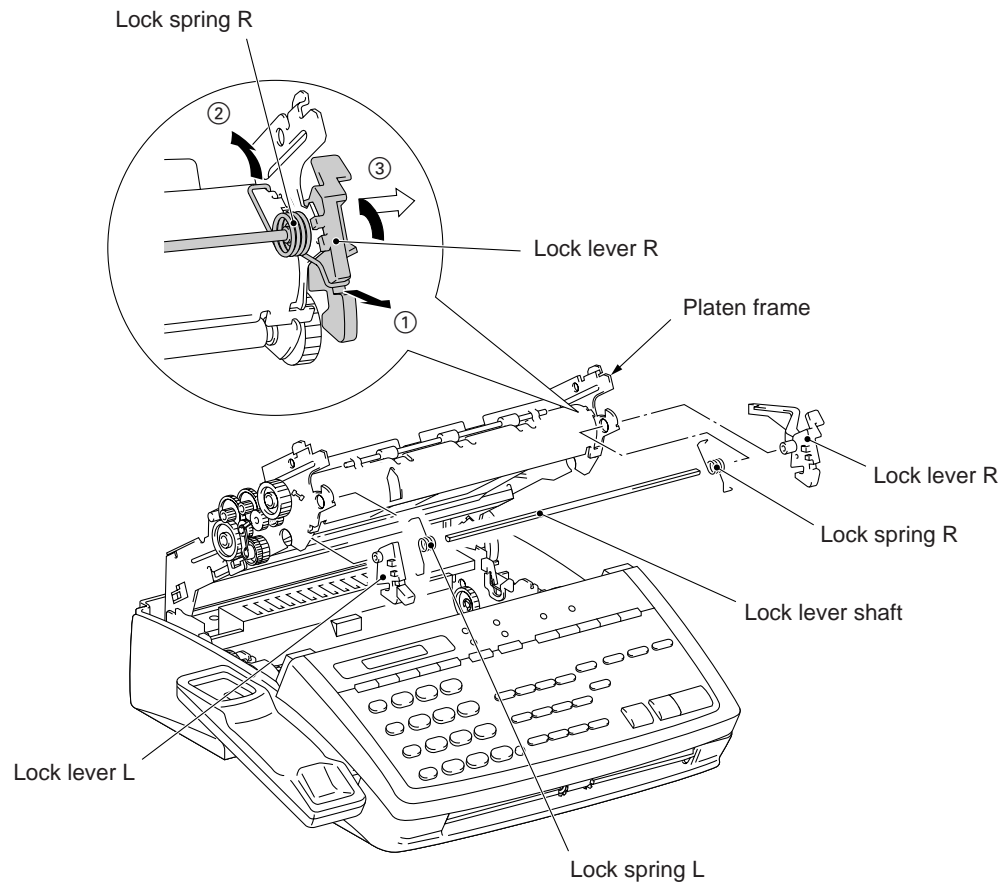


■ Reassembling Notes

- Reinstall the platen with its longer shaft end facing to the left.
- Take care not to sandwich the black sub chute film between the platen and the paper feed sub chute.

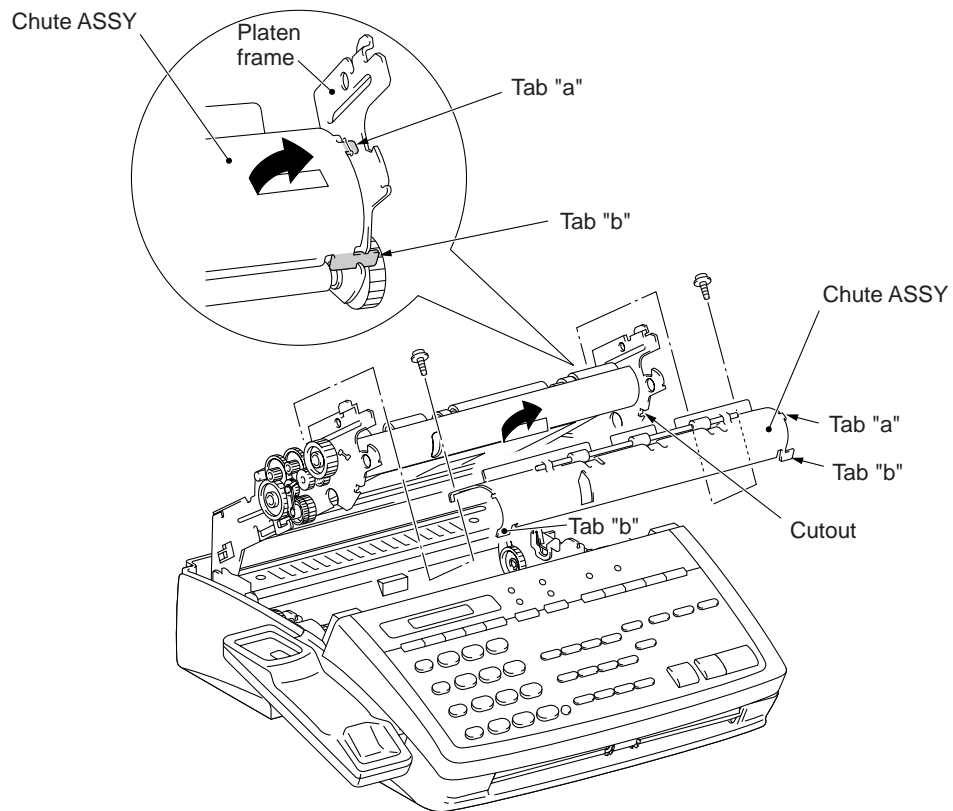
1.4 Lock Levers and Their Shaft

- (1) At each end of the lock lever shaft, release the lock spring from the lock lever and the platen frame.
- (2) Turn the lock lever R clockwise (when viewed from the right side) and pull it out from the shaft. Then, the lock lever L, lock springs, and lock lever shaft also come off.



1.5 Chute ASSY

- (1) Remove the two screws.
- (2) Move the chute ASSY to the left to release tab "a" from the platen frame, pull the chute ASSY towards you, and take it out.

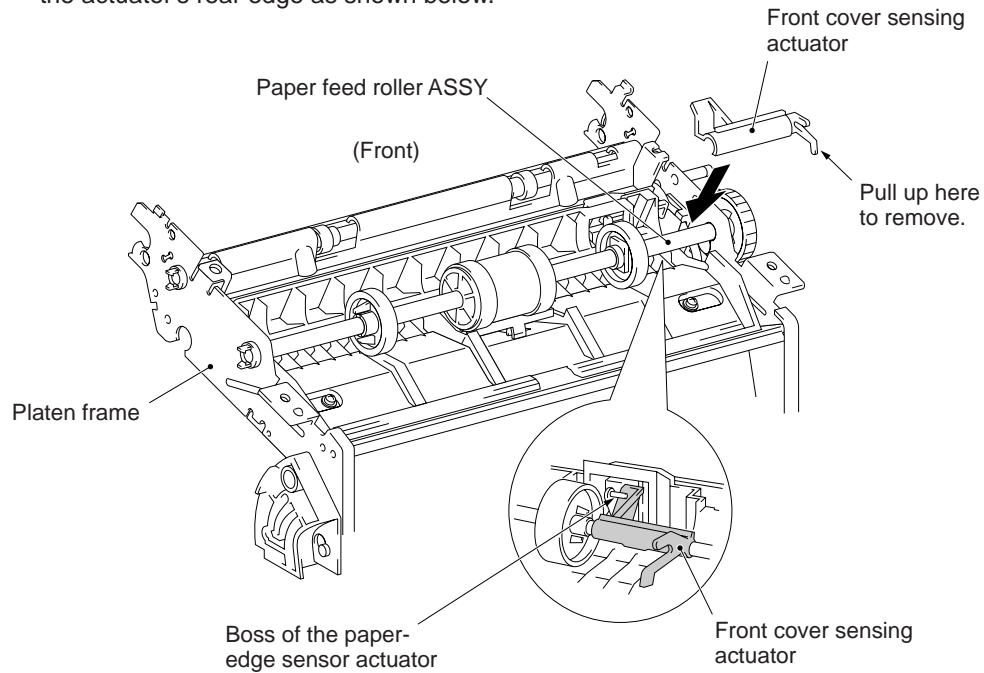


■ Reassembling Notes

- First fit tabs "b" provided on the chute ASSY into the cutouts in the platen frame, turn the chute ASSY to the rear, and then move it to the right.

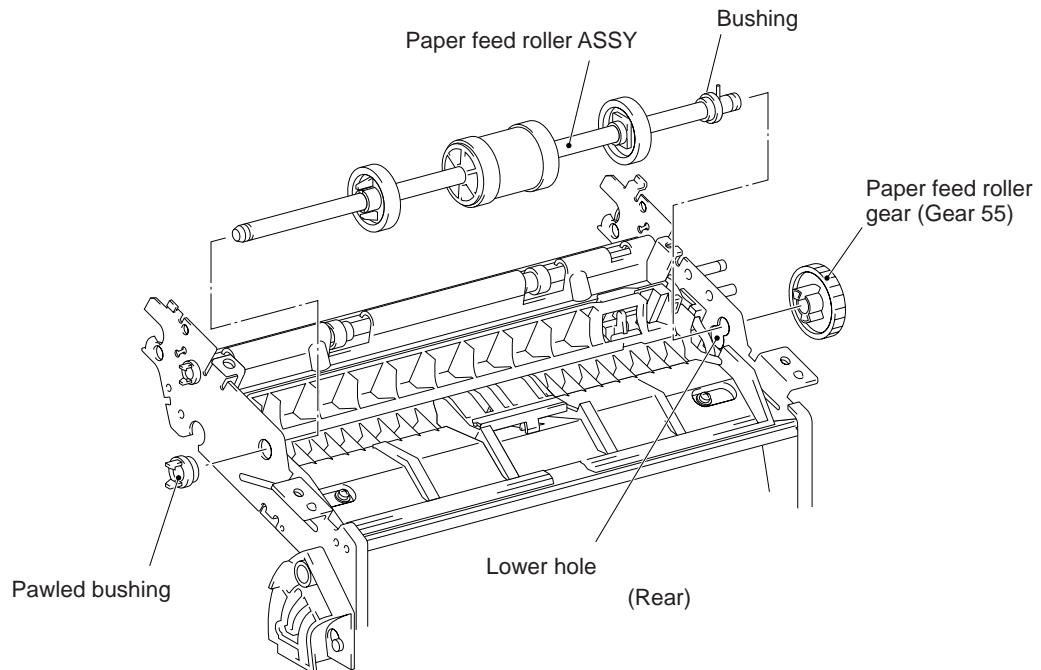
1.6 Paper Feed Roller ASSY and Paper Feed Sub Chute

- (1) Remove the front cover sensing actuator from the paper feed roller shaft by pulling up the actuator's rear edge as shown below.

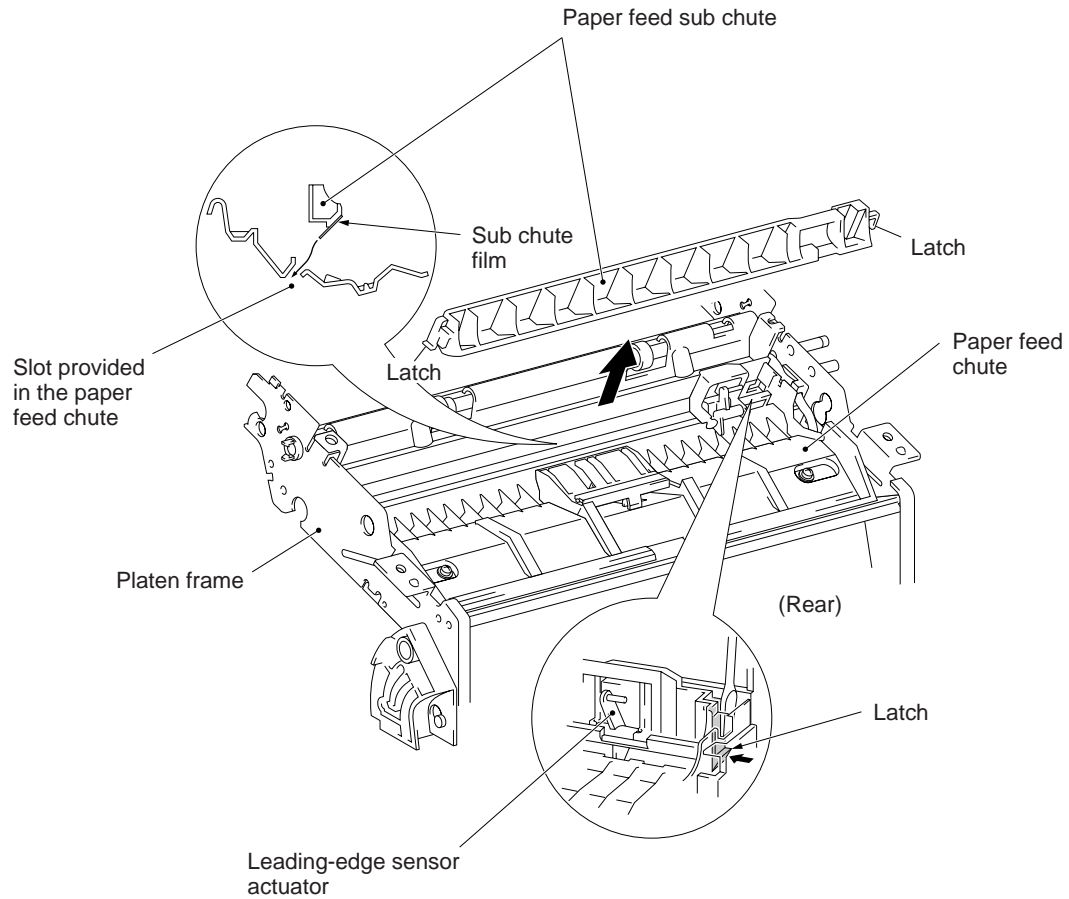


- (2) At the left end of the paper feed roller ASSY (when viewed from the rear), remove the bushing by pulling its pawls outwards.
- (3) At the right end, remove the paper feed roller gear (Gear 55) by pulling its pawl outwards.

Next, pull the paper feed roller shaft to the right until the left end of the shaft comes out of the main frame and then tilt the shaft to the right so that the bushing-fixed end can pass through the lower hole, and take it out to the left.



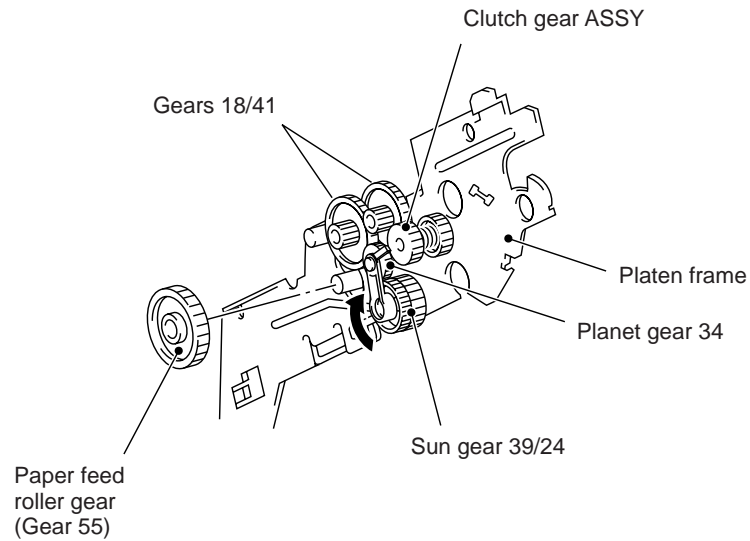
- (4) At the either end of the paper feed sub chute, release the latch from the paper feed chute with a flat screwdriver as illustrated below, and then pull up the paper feed sub chute.



■ Reassembling Notes

- When setting the paper feed sub chute, push the paper-edge sensor actuator into the home position.
- Set the paper feed sub chute so that the sub chute film comes into the slot provided in the paper feed chute.

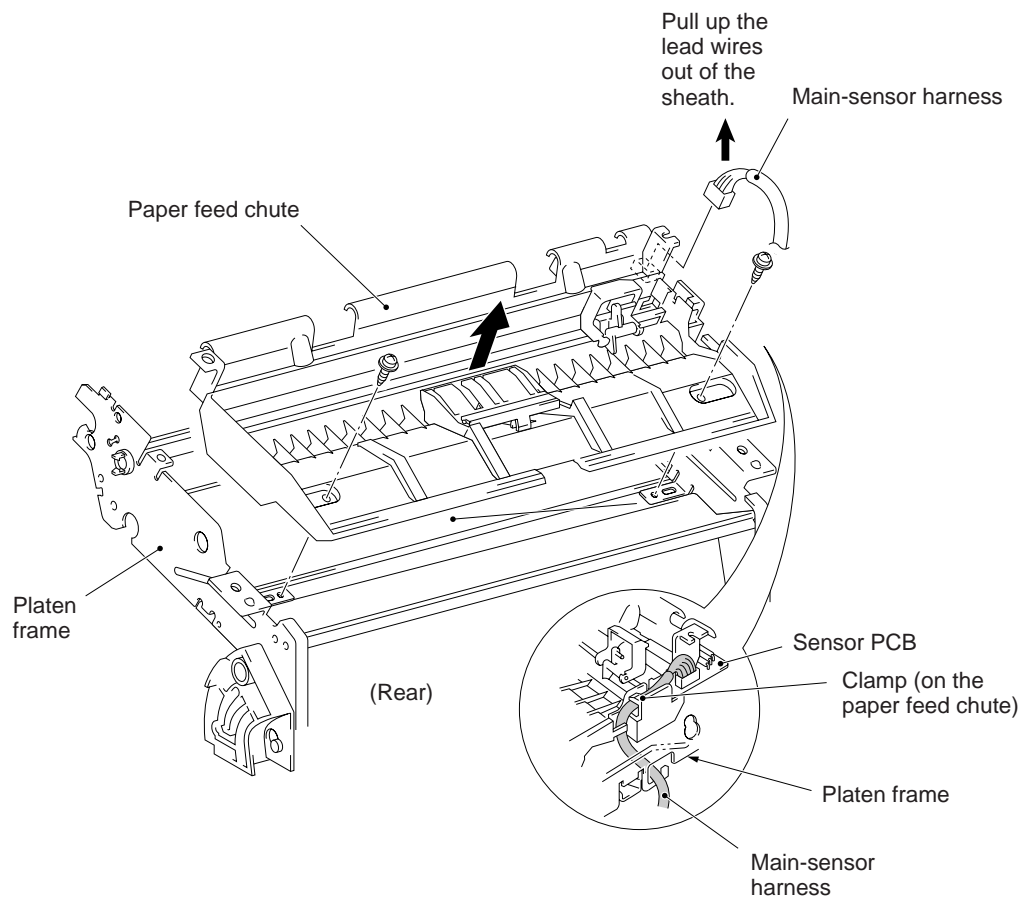
- When setting the paper feed roller ASSY at the left side of the platen frame, turn up the planet gear 34 of the arm P ASSY so that the planet gear 34 comes above the sun gear 39/24 and becomes engaged with the paper feed roller gear (Gear 55), as illustrated below.



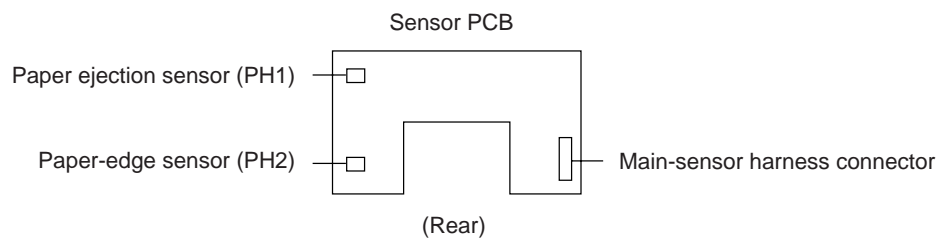
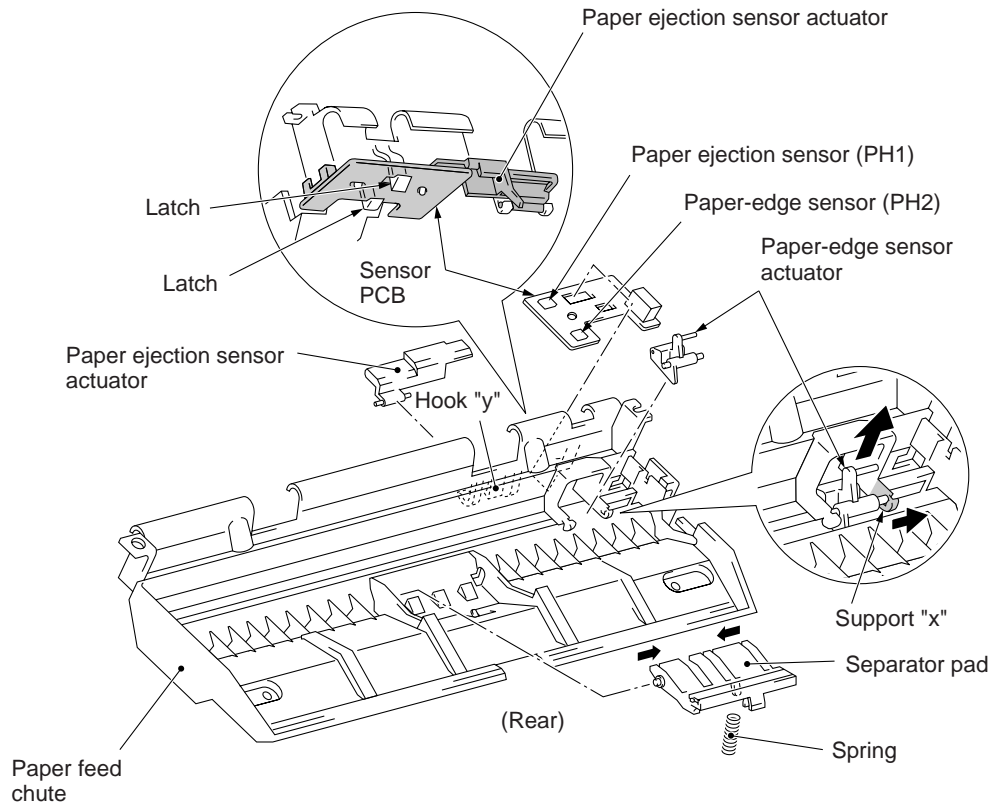
- When setting the front cover sensing actuator onto the paper feed roller shaft, make sure that it supports the boss of the paper-edge sensor actuator as shown on the previous page.

1.7 Paper Feed Chute, Sensor PCB, and Paper-edge and Paper Ejection Sensor Actuators

- (1) Remove the two screws.
- (2) Remove the sensor PCB by releasing the two latches.
- (3) Disconnect the main-sensor harness from the sensor PCB.
- (4) Pull up the lead wires of the main-sensor harness out of the sheath, and then take out those wires (not the sheathed section) from the clamp of the paper feed chute.
- (5) Take out the paper feed chute.



- (6) Remove the paper-edge sensor actuator by pulling the support "x" outwards.
- (7) Remove the paper ejection sensor actuator by pushing the hook "y" from the rear of the paper feed chute.



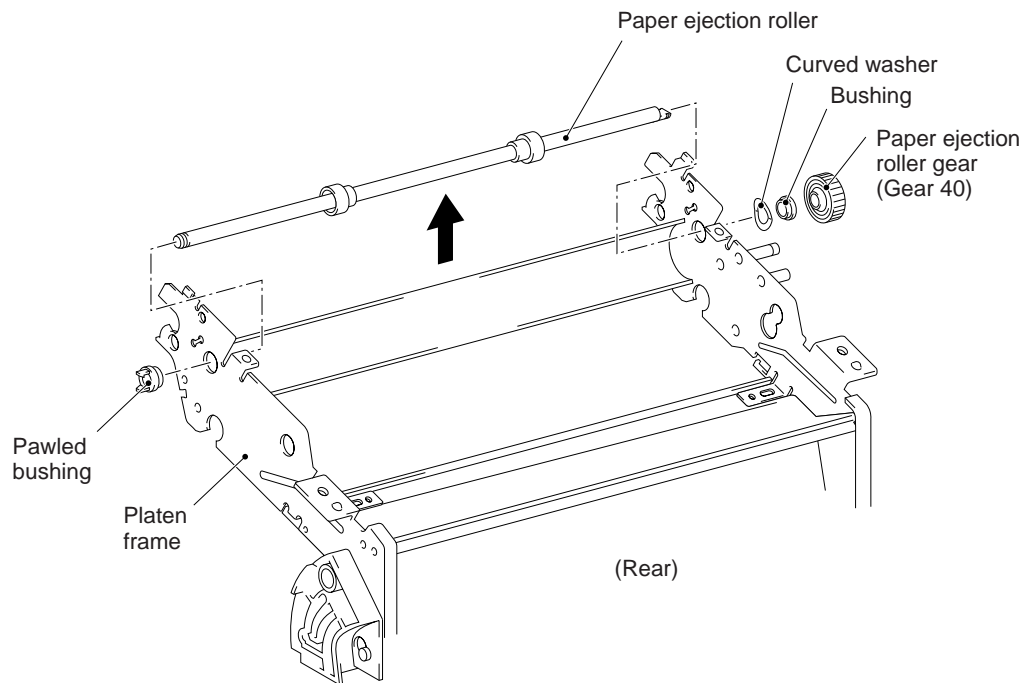
- (8) Pull up the separator pad while squeezing it to the right or left. The spring also comes off.

■ Reassembling Notes

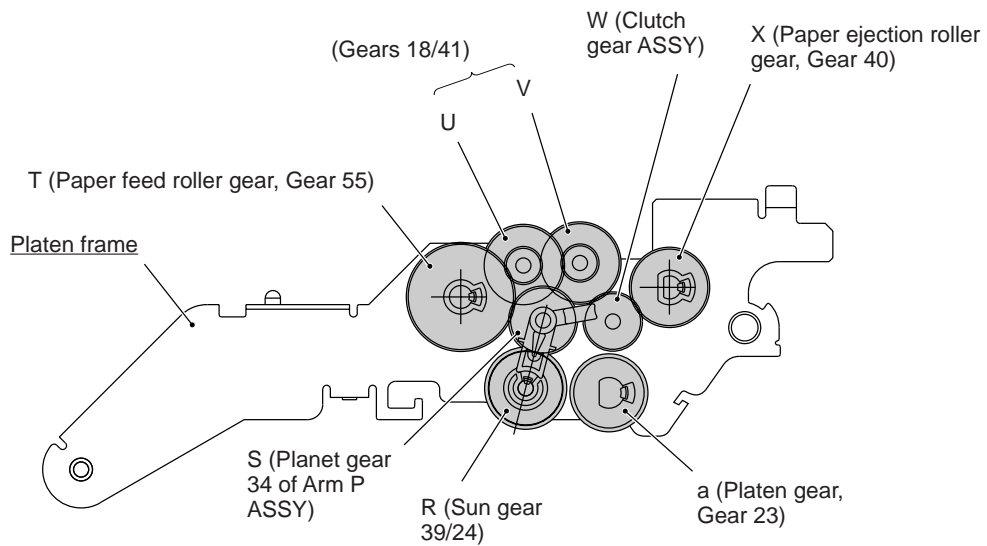
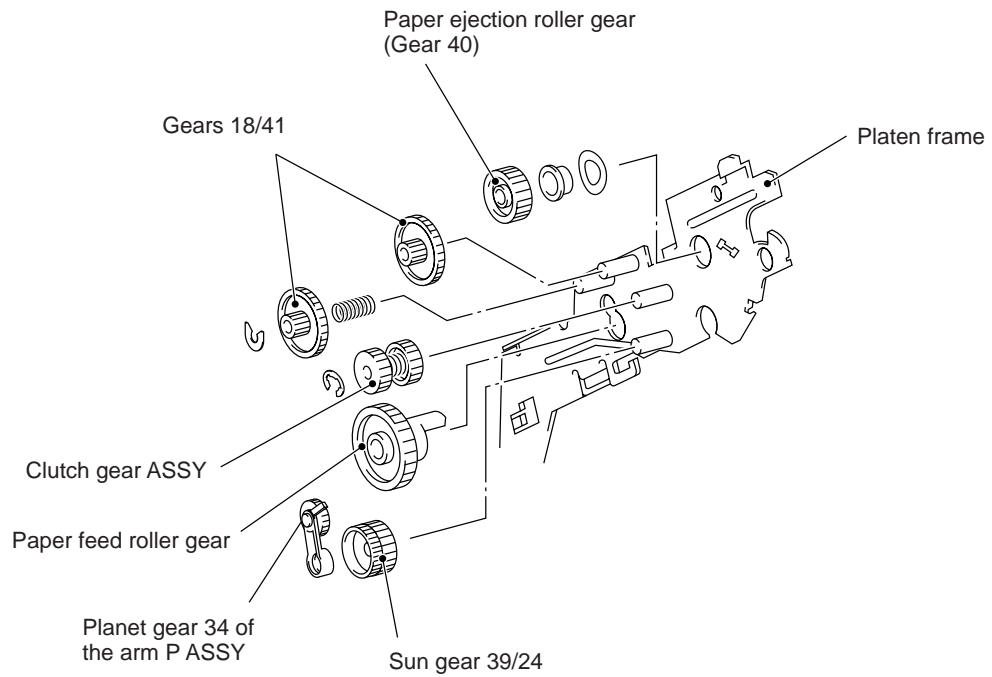
- Make sure that the paper ejection sensor actuator is set on the sensor PCB.
- As illustrated on the previous page, route the main-sensor harness through the cutout of the platen frame. When routing it through the clamp of the paper feed chute, first put the lead wires only into the clamp and then pull up the vinyl sheath.

1.8 Paper Ejection Roller

- (1) At the left end of the paper ejection roller (when viewed from the rear), remove the bushing by pulling its pawls outwards.
- (2) At the right end, remove the paper ejection roller gear (Gear 40) by pulling its pawl outwards. Next, take out the paper ejection roller together with the bushing and the curved washer.

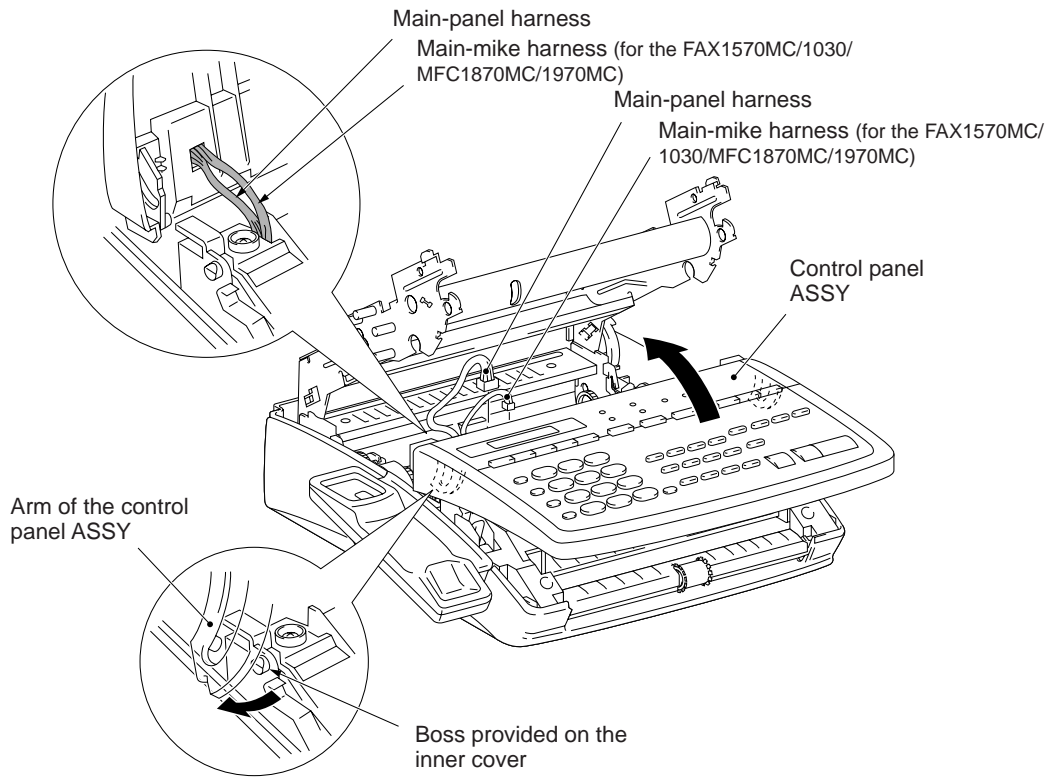


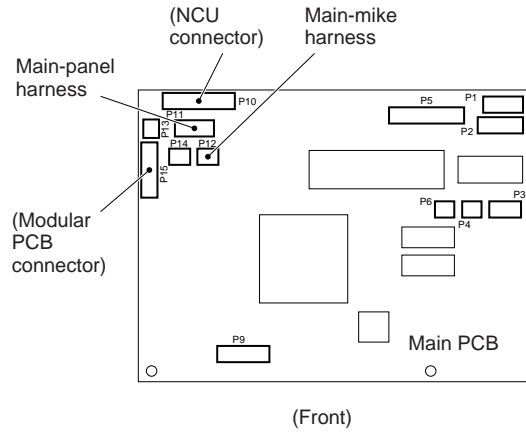
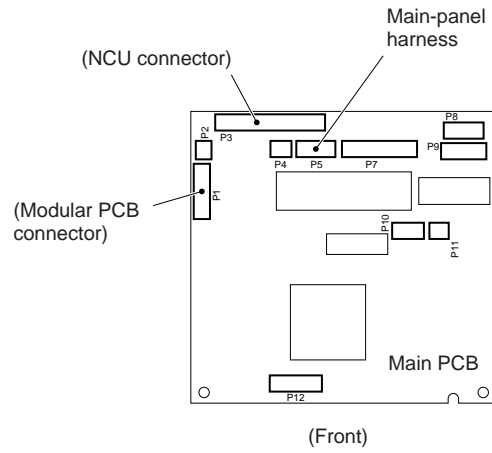
1.9 Gears on the Platen Frame



1.10 Control Panel ASSY

- (1) Remove the ROM cover, referring to Section 1.1, steps (1) and (2).
- (2) Disconnect the main-panel harness and the main-mike harness (for the FAX1570MC/1030/MFC1870MC/1970MC) from the main PCB.
- (3) Slightly open the control panel ASSY as shown below.
- (4) Push the right and left arms of the control panel ASSY outwards with your thumbs to unhook them from the bosses provided on the inner cover, then slide the control panel ASSY to the rear.



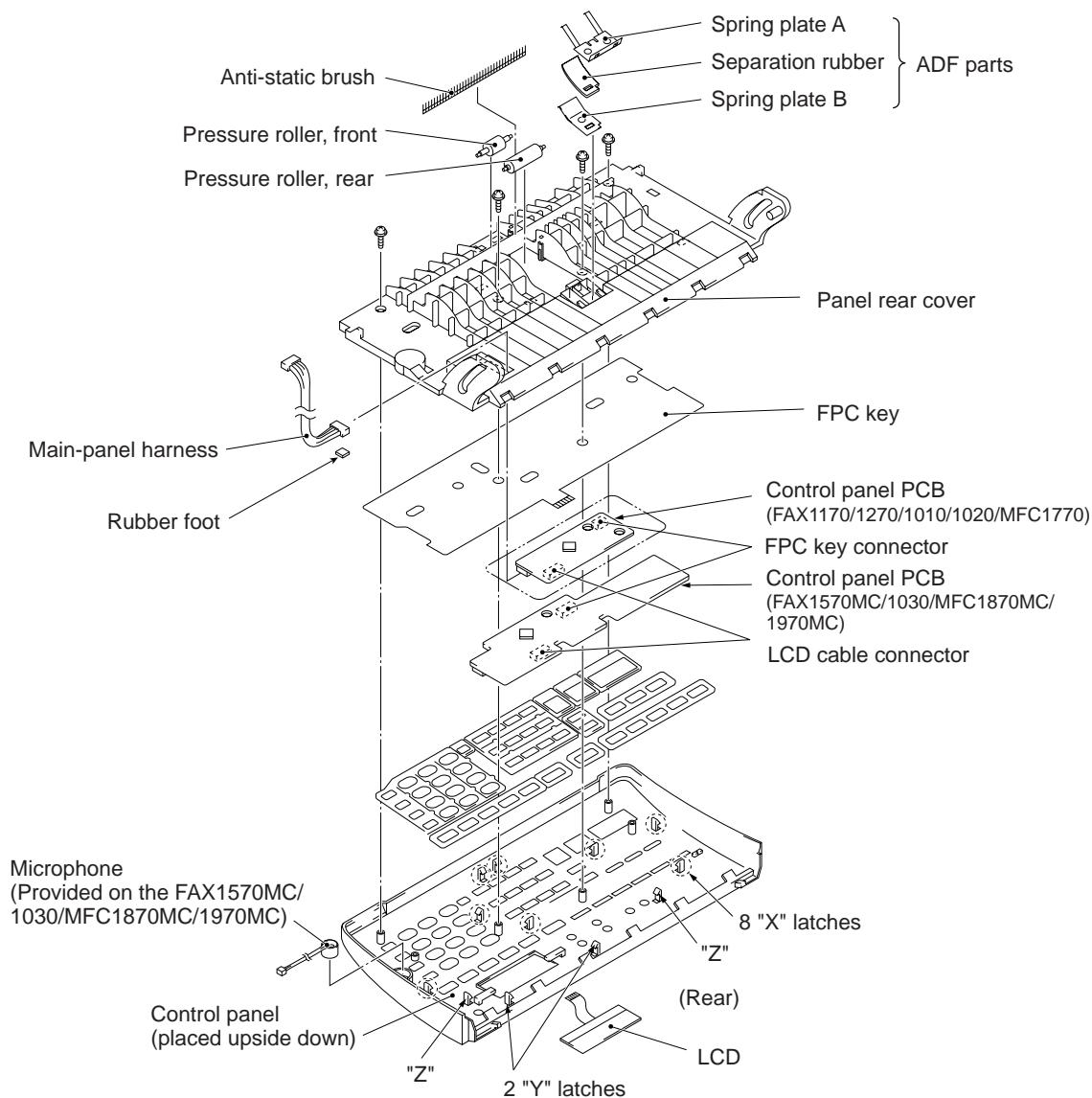


■ Reassembling Notes

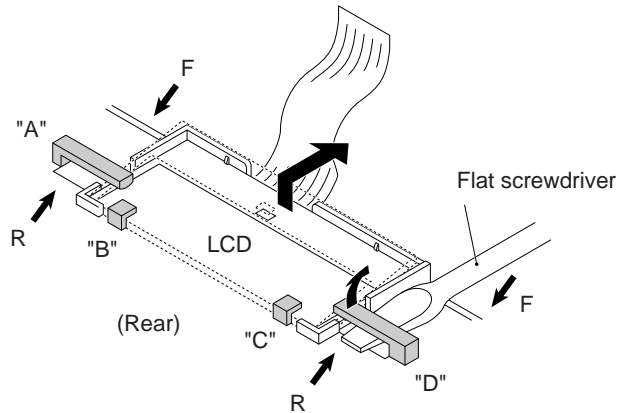
- After installation, check the routing of the main-panel harness and the main-mike harness (only for the FAX1570MC/1030/MFC1870MC/1970MC), referring to Section 1.29.

1.11 Panel Rear Cover and Control Panel

- (1) Place the control panel ASSY upside down.
- (2) Remove the ADF parts, the pressure rollers and anti-static brush from the panel rear cover. Once removed, the ADF parts will become unusable and new parts should have to be put back in.
- (3) Remove the four screws from the panel rear cover.
- (4) Insert the tip of a flat screwdriver between the front edge of the panel rear cover and the control panel, then unhook the panel rear cover from the eight "X" latches provided on the control panel. Lift up the panel rear cover.
- (5) To disconnect the main-panel harness from the control panel PCB, take off the rubber foot. Once removed, the rubber foot will become unusable and new parts should have to be put back in.
- (6) To take out the control panel PCB and the FPC key, unhook the PCB from the two latches ("Y" on the FAX1170/1270/1010/1020/MFC1770, "Z" on the FAX1570MC/1030/MFC1870MC/1970MC) on the control panel. Unlock the LCD cable connector and disconnect the LCD flat cable.
- (7) To separate the FPC key from the control panel PCB, unlock the FPC key connector and disconnect the FPC key.

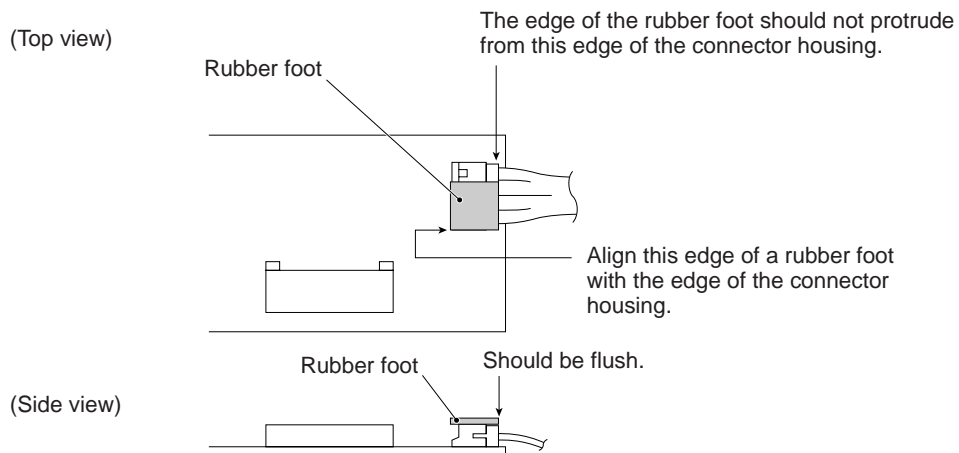


- (8) To take out the LCD, remove the control panel PCB and the FPC key in step (6). As shown below, insert the tip of a flat screwdriver under clamp "D" in the direction of arrow F and push up clamp "D" slightly to release the LCD from clamp "C." In the same way, insert the screwdriver under clamp "A" to release the LCD from clamp "B." Then push out the LCD with your fingers in the direction of arrow R.



■ Reassembling Notes

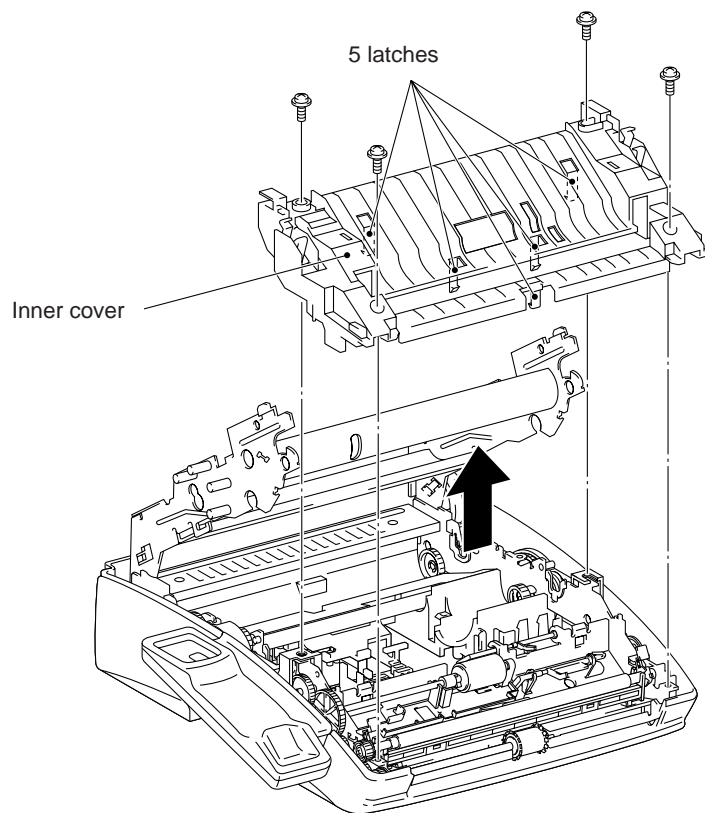
- To put the LCD back into place, insert the tip of a flat screwdriver under clamp "D" (see the above illustration) in the direction of arrow R, push up clamp "D" slightly, and then put the right edge of the LCD under clamp "D." In the same way, insert the screwdriver under clamp "A" to put the left edge of the LCD under clamp "A." Then push the LCD into place with your fingers in the direction of arrow F.
- When handling the LCD, take care not to scratch or damage the panel sheet. Replace it if scratched or damaged.
- A new LCD is covered with a protection sheet. Before installing it, remove the protection sheet.
- After connecting the main-panel harness to the control panel PCB, be sure to attach a new rubber foot on the top of the connector as shown below.



- When setting the panel rear cover onto the control panel, pass the main-panel harness and main-mike harness (provided on the FAX1570MC/1030/MFC1870MC/1970MC) through the cutout provided in the panel rear cover.

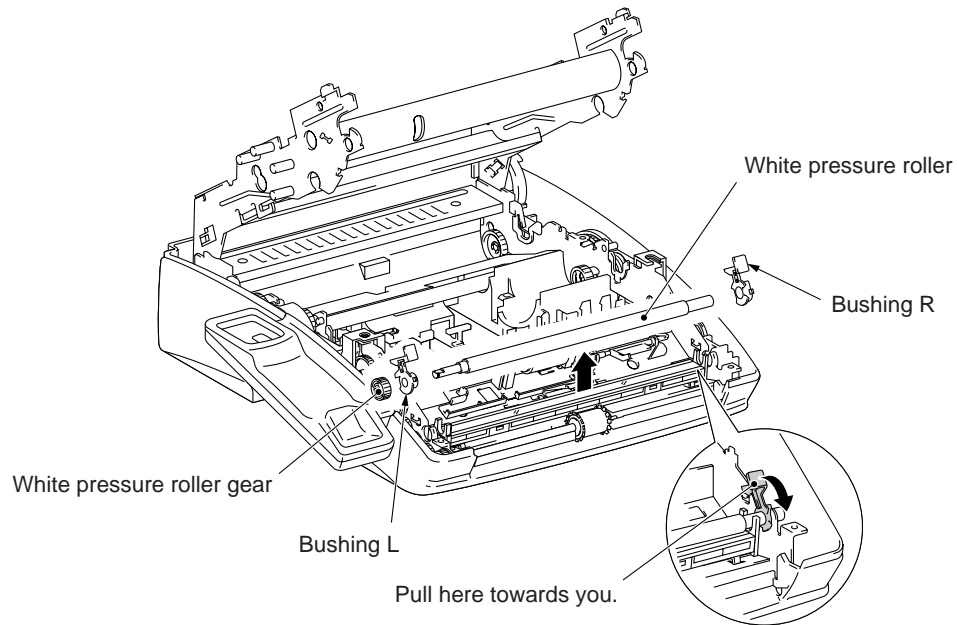
1.12 Inner Cover

- (1) Remove the four screws.
- (2) While lifting up the inner cover, release the five latches with the tip of a flat screwdriver.



1.13 White Pressure Roller and CIS Unit

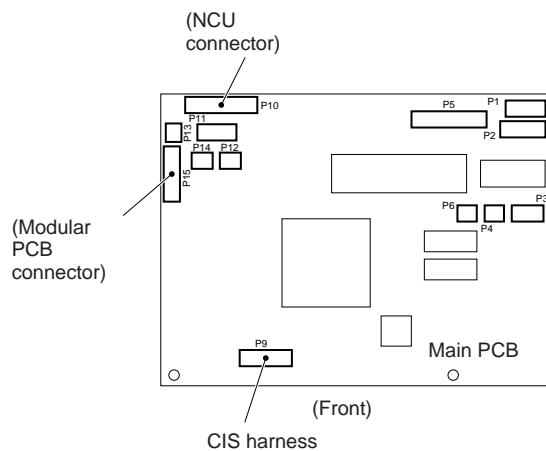
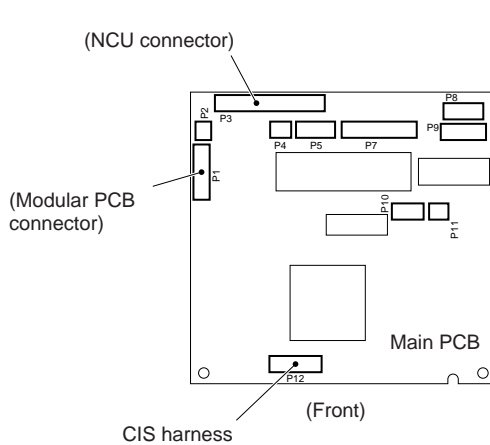
- Swing the tabs of the bushings R and L towards you to the release position, and then lift them up together with the white pressure roller and its gear.
To remove the bushing L, take off the white pressure gear by pulling its pawl outwards.



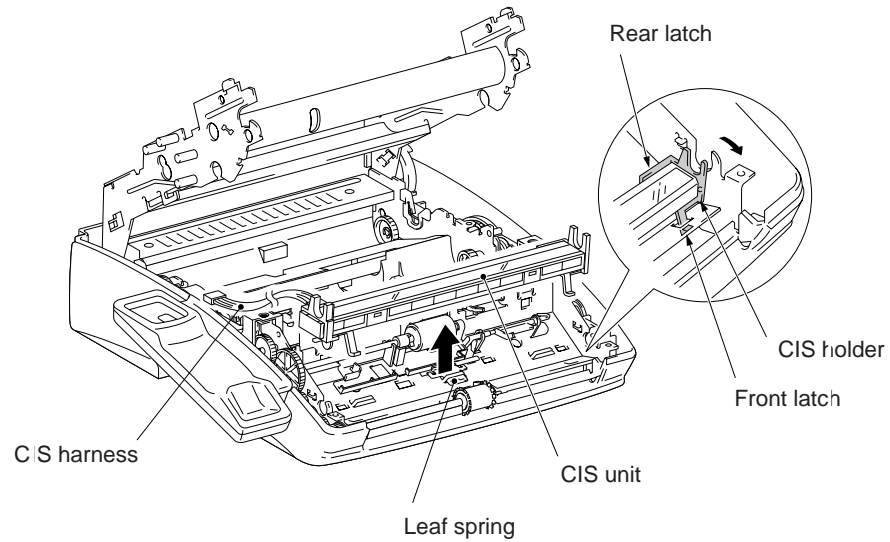
- Disconnect the CIS harness from the main PCB.

FAX1170/1270/1010/1020/MFC1770

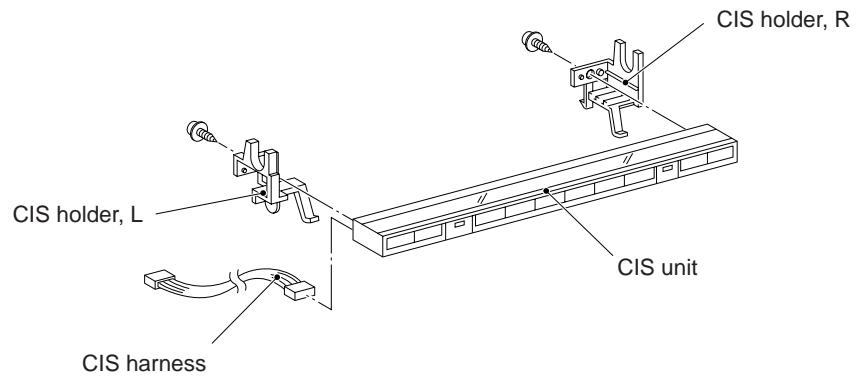
FAX1570MC/1030/MFC1870MC/1970MC



- (3) Tilt the CIS unit towards you to release the rear latches from the main frame, and the CIS unit comes off.



- (4) Remove the CIS holders R and L as shown below.



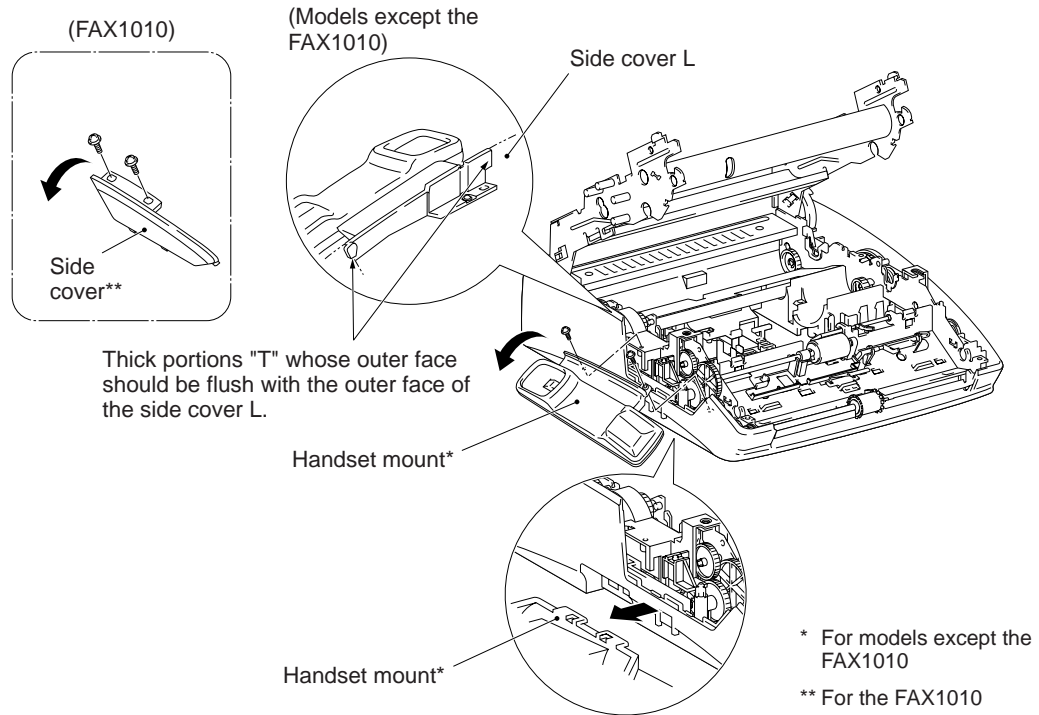
■ Reassembling Notes

- When reinstalling the CIS unit, pass the CIS harness through the cutout provided in the main frame.

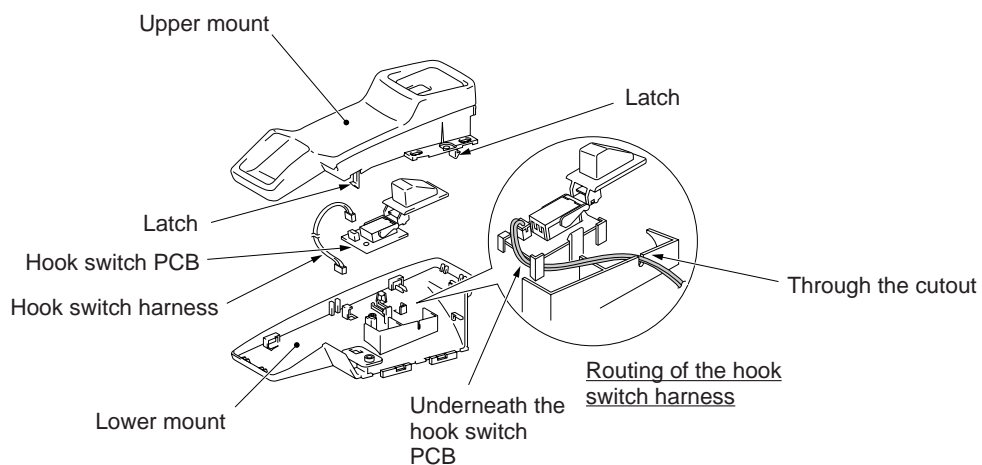
First, hook the front latches of the CIS holders in the main frame while pressing the CIS unit against the leaf spring and then hook the rear latches.

1.14 Handset Mount (for models except the FAX1010) Side Cover (for the FAX1010)

- (1) Disconnect the hook switch harness* from the main PCB.
- (2) Remove the two screws from the handset mount* or the side cover**.
- (3) Twist the handset mount* or the side cover** so that it tilts over to the left and its upper end works out of the bosses provided on the side cover L.



- (4) To disassemble the handset mount* for models except the FAX1010, unhook the two latches with a flat screwdriver.

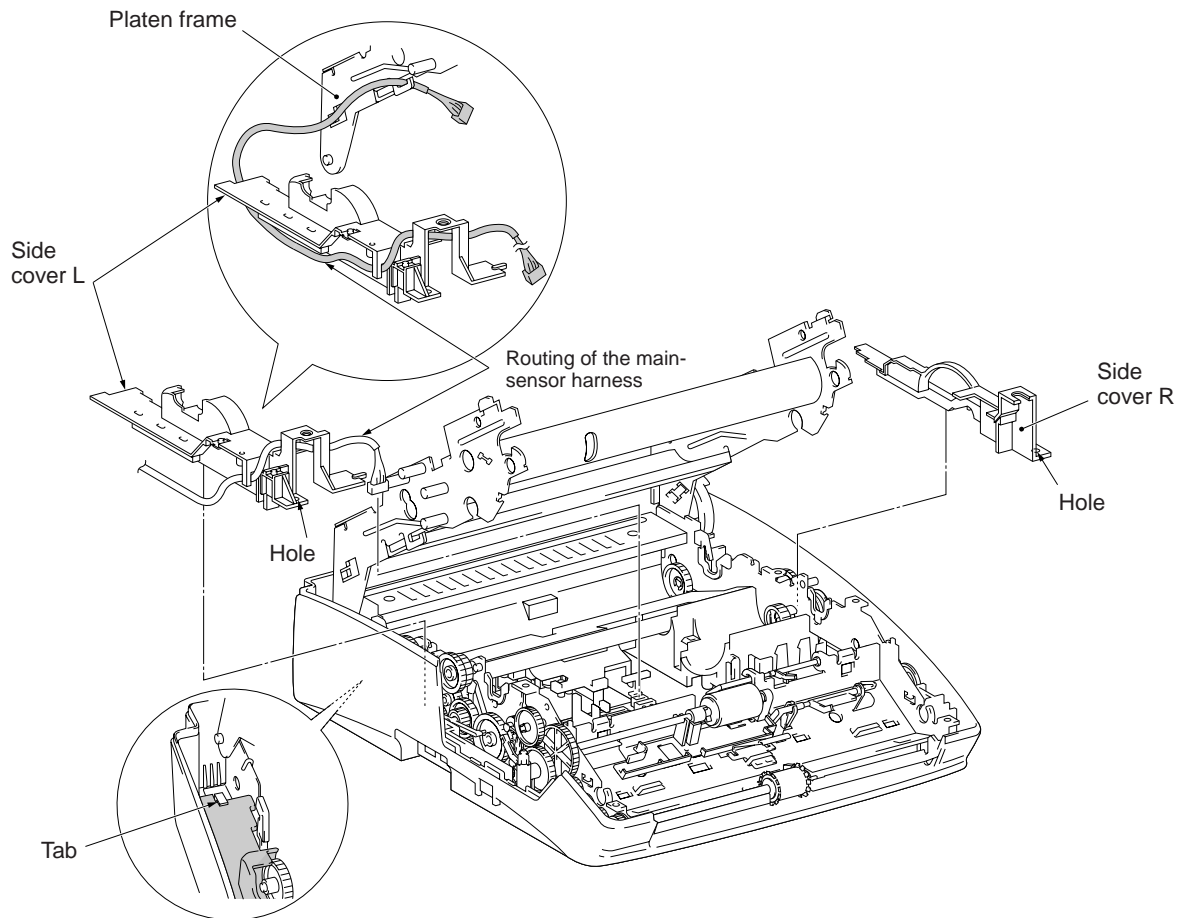


■ Reassembling Notes

- When assembling upper and lower mounts, route the hook switch harness underneath the hook switch PCB and through the cutout as shown above. Take care not to pinch the harness between the upper and lower mounts.
- The front and rear upper edges "T" of the handset mount are thick. Be sure to make their outer face flush with the outer face of the side cover L.

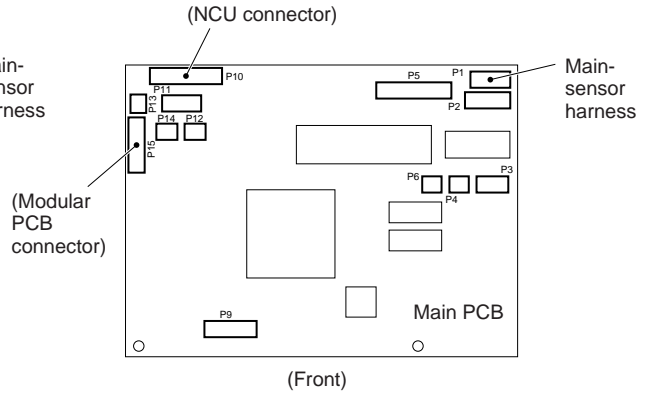
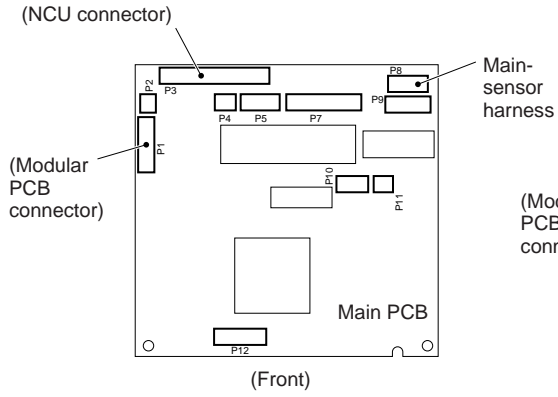
1.15 Side Covers R and L

- (1) Lift up the front of the side cover R and take it out.
- (2) Disconnect the main-sensor harness from the main PCB, and then lift up the front of the side cover L and take it out together with the main-sensor harness.



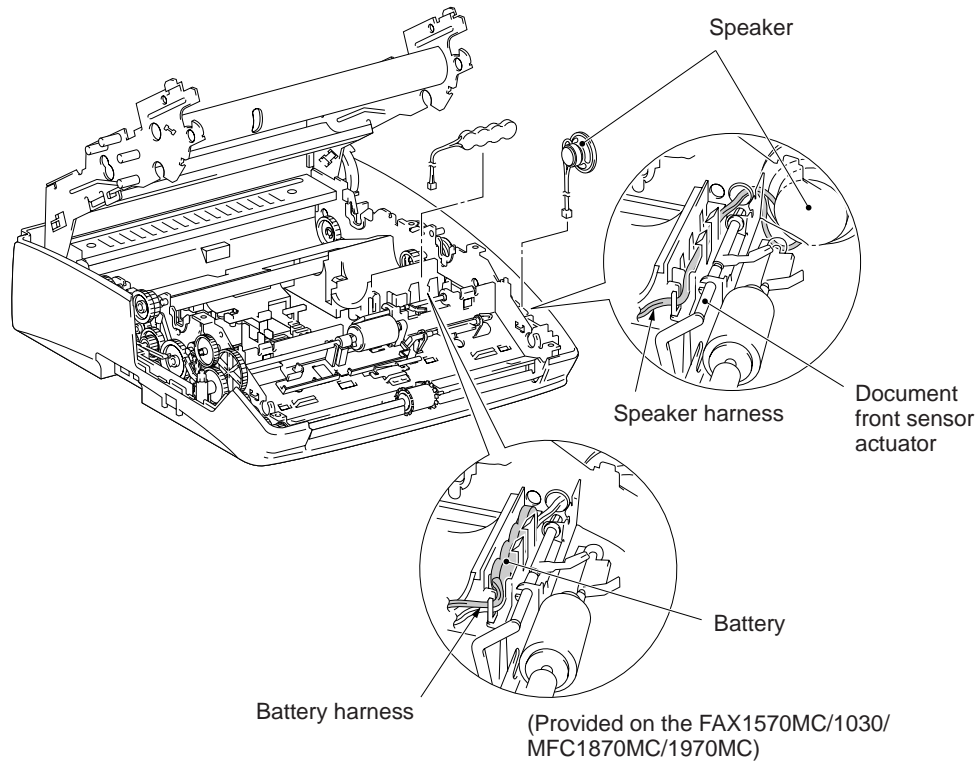
■ Reassembling Notes

- Before putting back the side cover L, route the main-sensor harness as illustrated above.
- When setting the side covers, put each rear edge under the tab and fit each hole over the boss provided on the main cover.
- After installation, check the routing of the main-sensor harness, referring to Section 1.29.



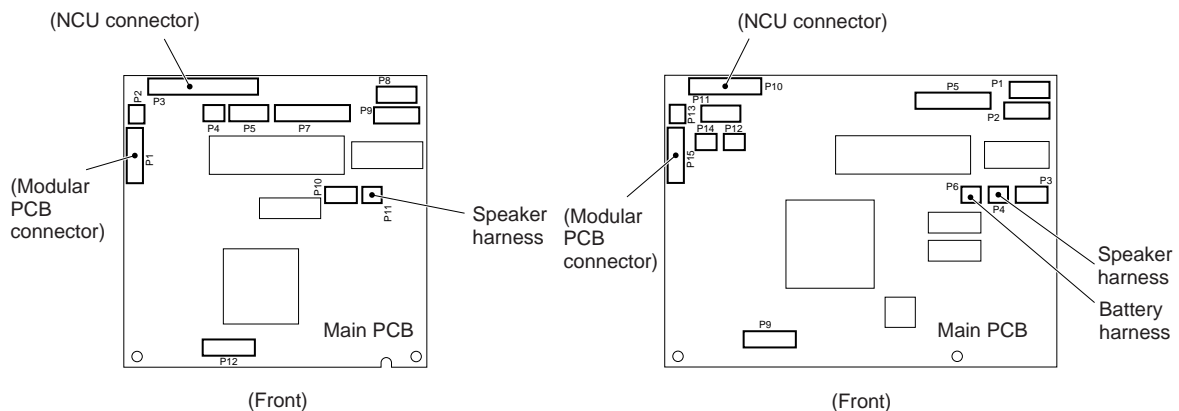
1.16 Speaker and Battery

- (1) Disconnect the speaker harness from the main PCB, and pull up the speaker.
- (2) For the FAX1570MC/1030/MFC1870MC/1970MC, disconnect the battery harness from the main PCB and pull up the battery.



FAX1170/1270/1010/1020/MFC1770

FAX1570MC/1030/MFC1870MC/1970MC



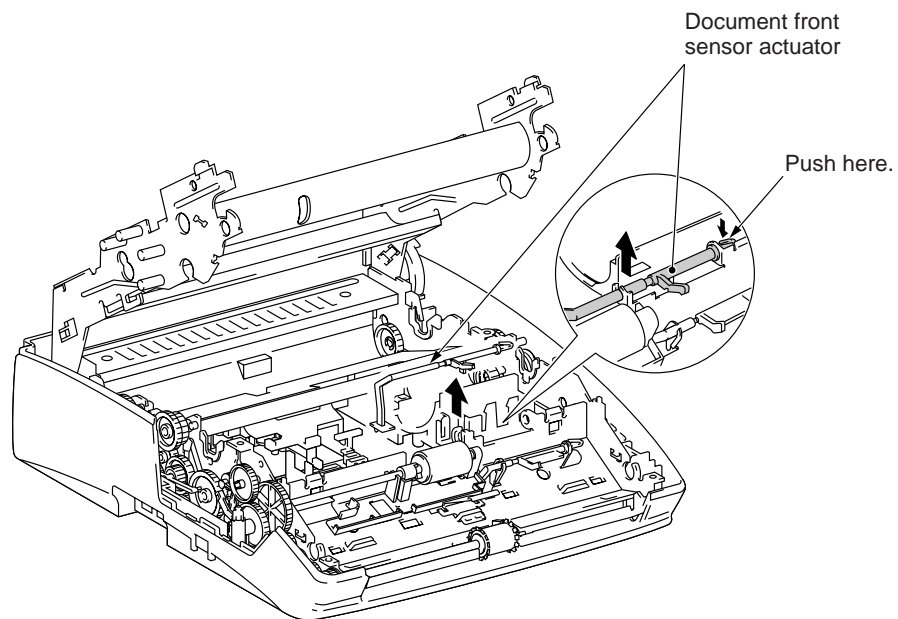
■ Reassembling Notes

- Route the speaker harness and the battery harness through the hole provided in the main frame and through the groove on the main cover, and then hook them on the T-shaped boss (refer to Section 1.29).

If either of these harnesses is loose, it will interfere with the document front sensor actuator, resulting in a sensing error.

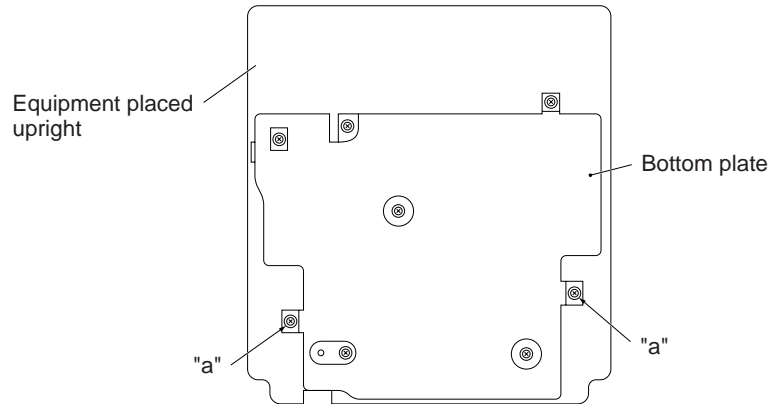
1.17 Document Front Sensor Actuator

- (1) As shown below, push down the latch of the right end of the document front sensor actuator to release it from the hole provided in the main frame, move it to the left, and then lift it up.



1.18 Main Frame

- (1) Place the machine upright as shown below.
- (2) Remove two screws "a" from the bottom plate.



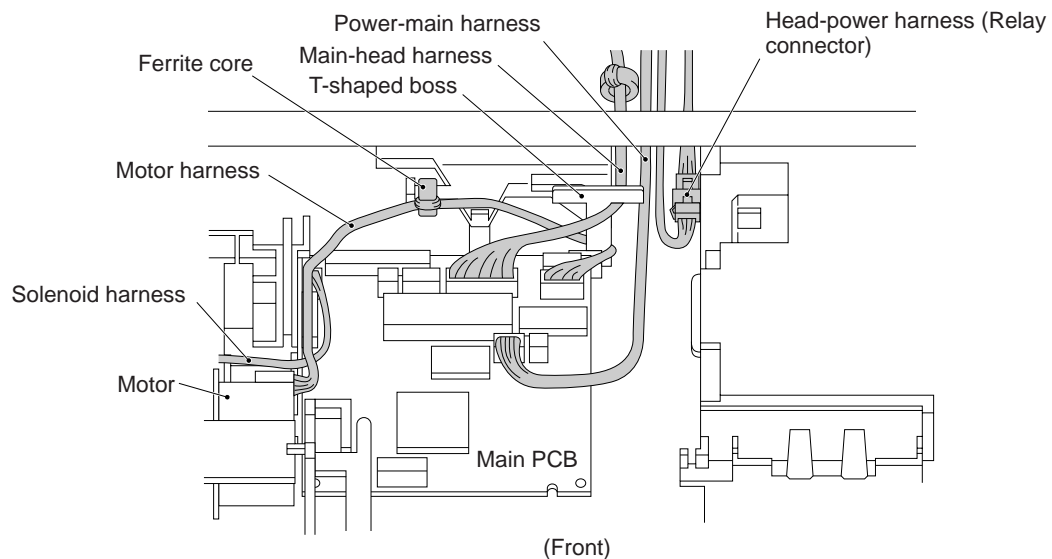
- (3) Place the machine rightside up.
- (4) Disconnect the following four harnesses from the main PCB:
 - Solenoid harness (2-pin)
 - Motor harness (6-pin)
 - Power-main harness (4-pin)
 - Main-head harness (11-pin)

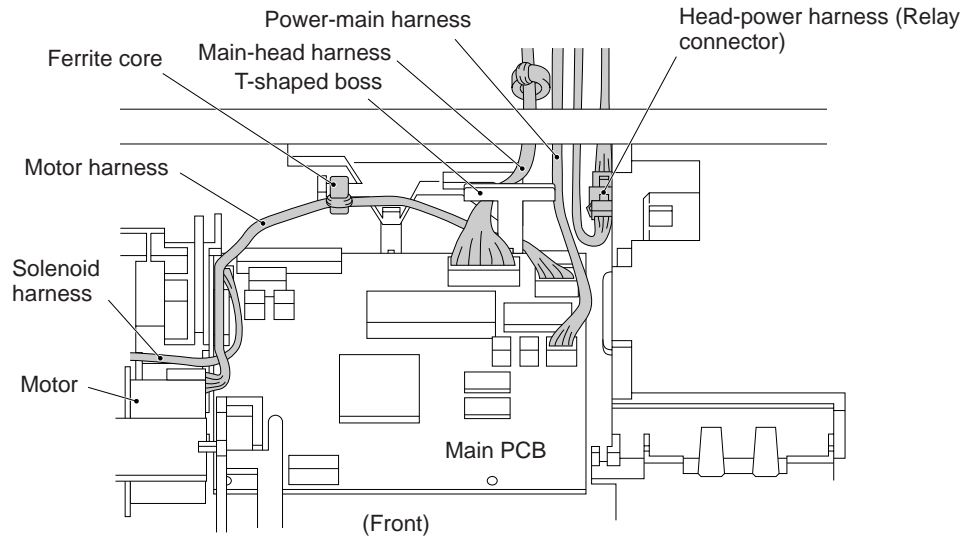
NOTE: Unhook the motor harness and its ferrite core from the bosses provided on the main cover.

- (5) Disconnect the relay connector of the head-power harness.

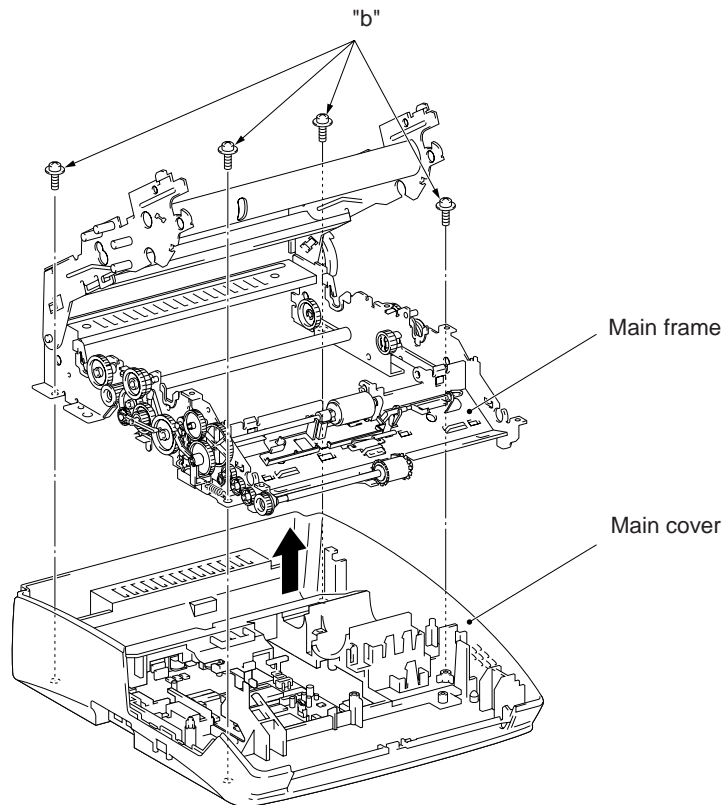
NOTE: To disconnect the relay connector, push the lock of the relay connector to release.

FAX1170/1270/1010/1020/MFC1770





- (6) Remove four screws "b" and lift up the main frame.

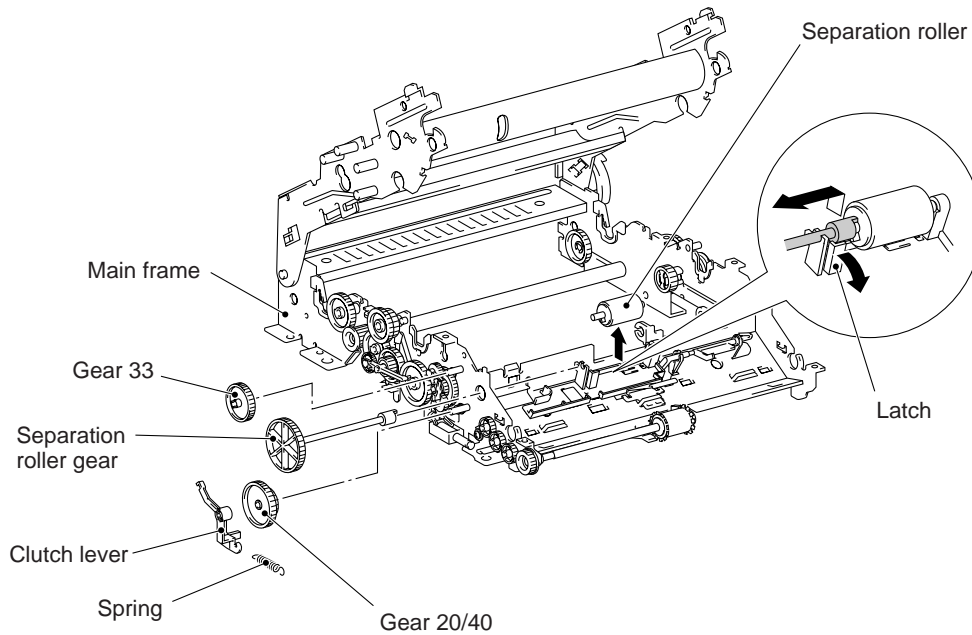


■ Reassembling Notes

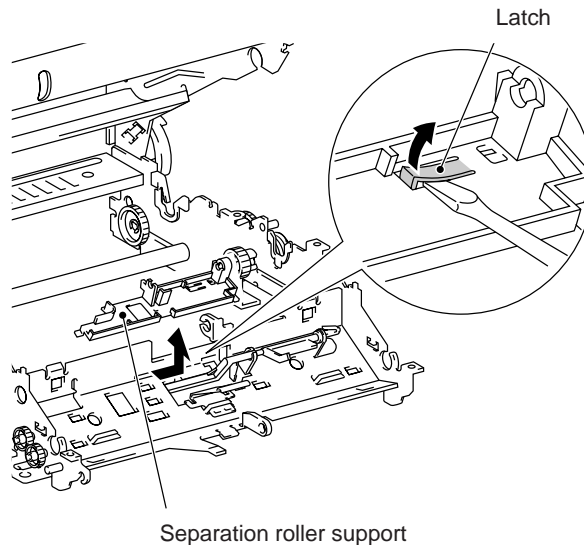
- Route the motor harness and hook its ferrite core on the main frame as illustrated on the previous page or this page.
- Be sure to secure the main frame with two screws "a" which were removed in step (2).

1.19 Separation Roller, its Support, and Document Rear Sensor Actuator

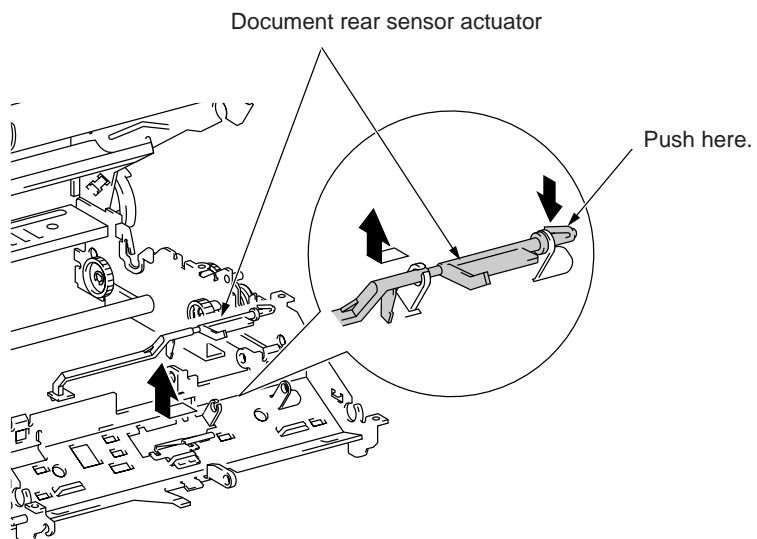
- (1) At the left side of the main frame, remove the spring and pull out the clutch lever by pulling its pawl outwards.
- (2) Remove the gear 20/40, and then remove the gear 33 by pulling its pawl outwards.
- (3) Pull the latch towards you and pull out the separation roller gear to the left, and the separation roller comes off.



- (4) As shown below, release the latch with the tip of a flat screwdriver and slide the separation roller support to the right and lift it up.

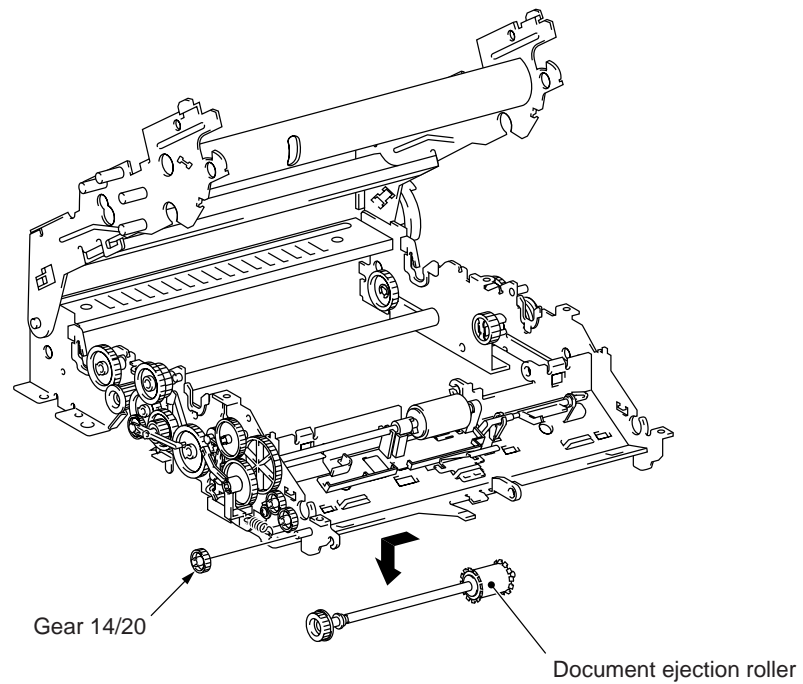


- (5) To remove the document rear sensor actuator, push down the latch of its right end to release it from the hole provided in the main frame, move it to the left, and then take it out.

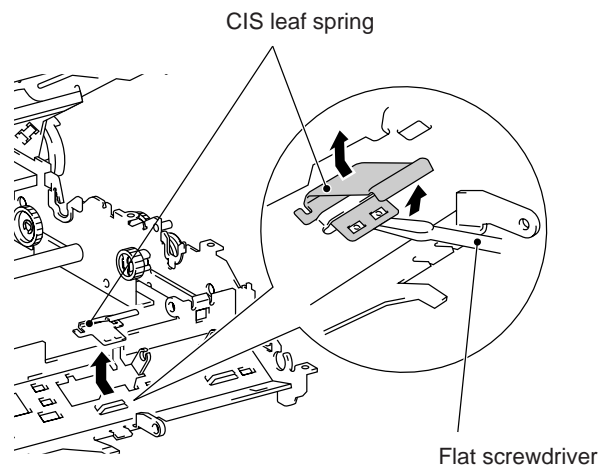


1.20 Document Ejection Roller and CIS Leaf Spring

- (1) To remove the document ejection roller, pull out the gear 14/20 by pulling its pawl outwards. Next, move the document ejection roller to the left and take it out downwards.

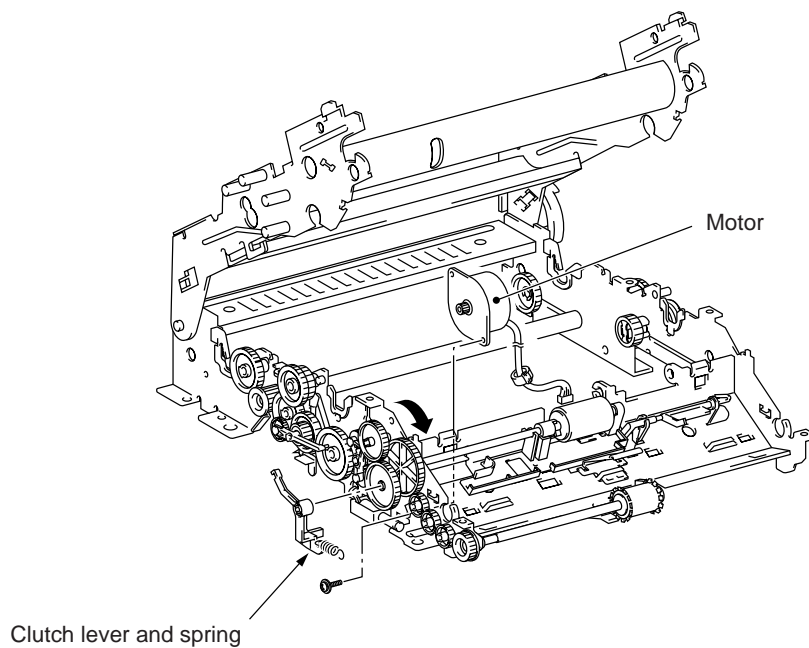


- (2) To remove the CIS leaf spring, pull up its lower end with the tip of a flat screwdriver and move it in the direction of the arrow shown below.



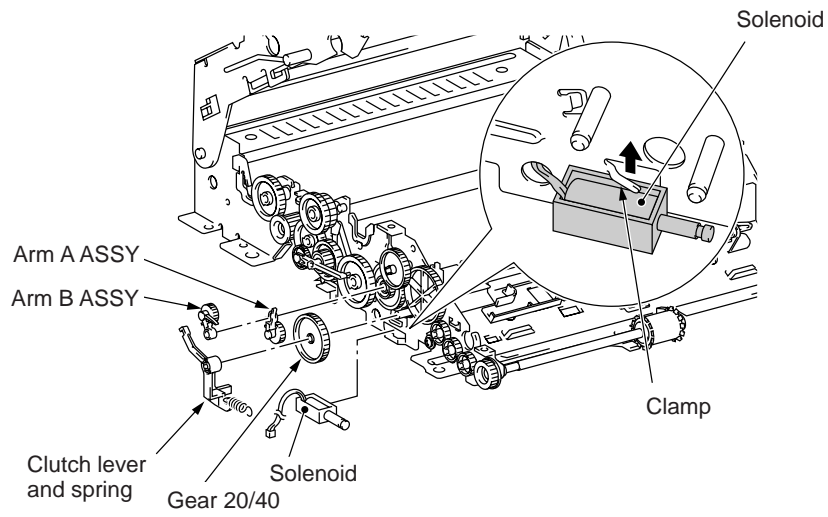
1.21 Motor

- (1) To remove the motor, at the left side of the main frame, unhook the spring and then pull out the clutch lever by pulling its pawl outwards. Next, remove the screw and turn the motor clockwise when viewed from the left.



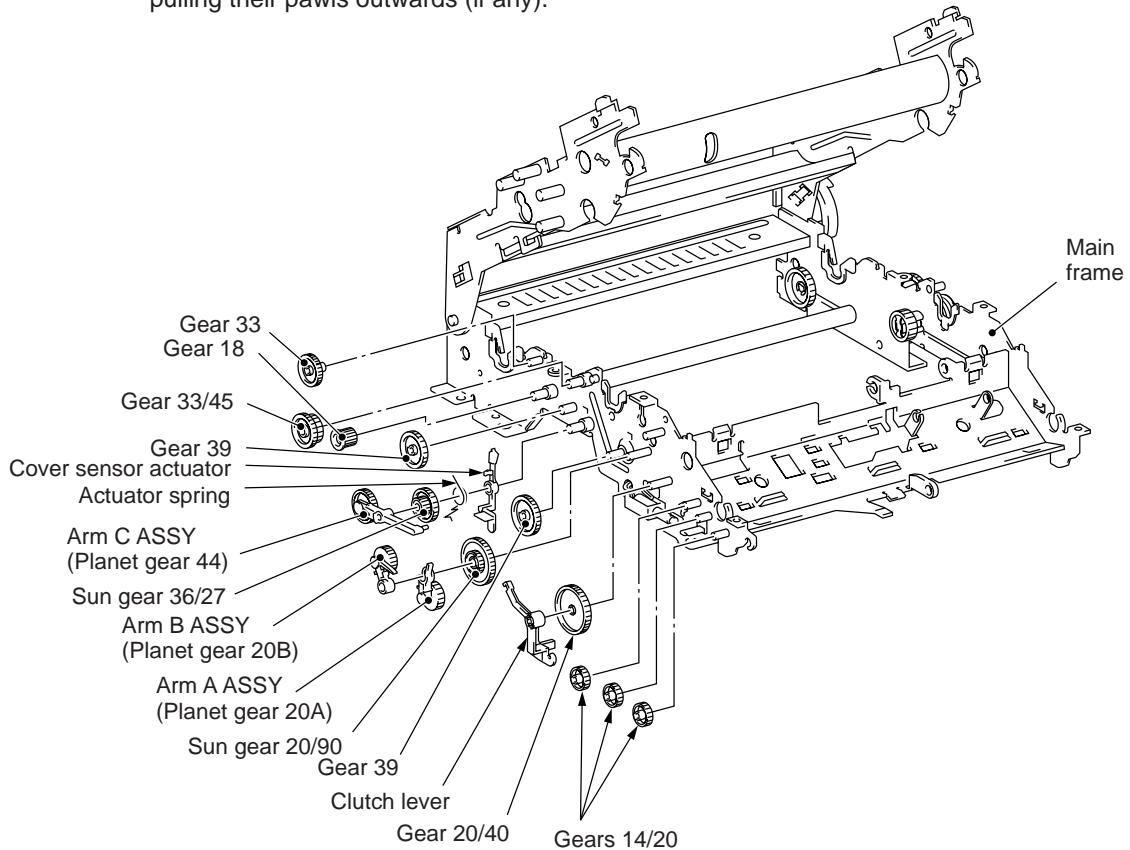
1.22 Solenoid

- (1) At the left side of the main frame, remove the spring and pull out the clutch lever by pulling its pawl outwards.
- (2) Remove the gear 20/40.
- (3) Remove the arm B ASSY and arm A ASSY by pulling the arm B's pawl outwards.
- (4) Push up the clamp and remove the solenoid.



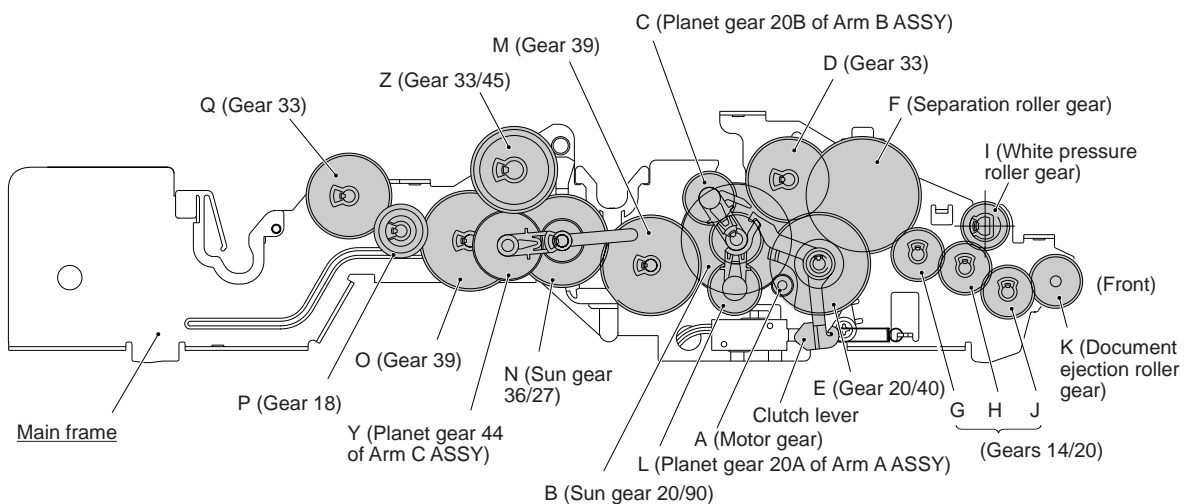
1.23 Drive Gears

- (1) At the left side of the main frame, remove the clutch lever, gears, and arm ASSYs, by pulling their pawls outwards (if any).



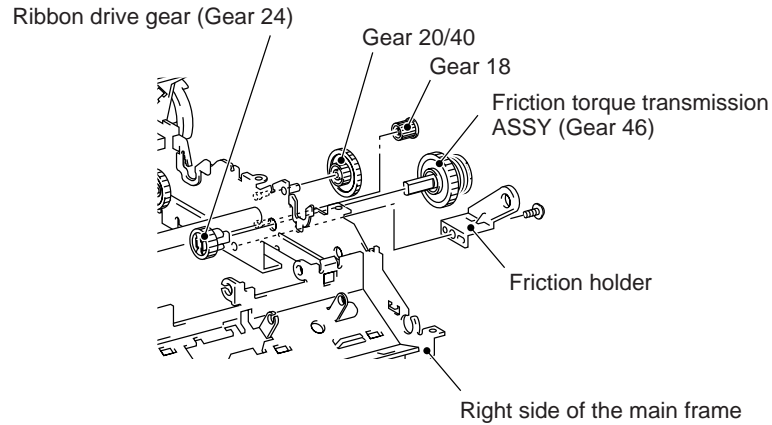
■ Reassembling Notes

- If you have disassembled the above gear train, reassemble it referring to the illustration below.

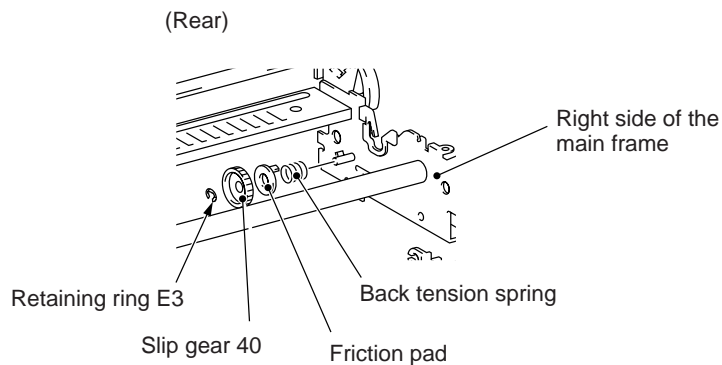


1.24 Friction Torque Transmission ASSY, its Related Gears, and Slip Gear 40

- (1) At the right side of the main frame, remove the ribbon drive gear (Gear 24) by pulling its two pawls outwards.
- (2) Remove the screw and take off the friction holder.
- (3) Remove the gear 18 by pulling its pawl outwards and then take off the gear 20/24 and the friction torque transmission ASSY (Gear 46).

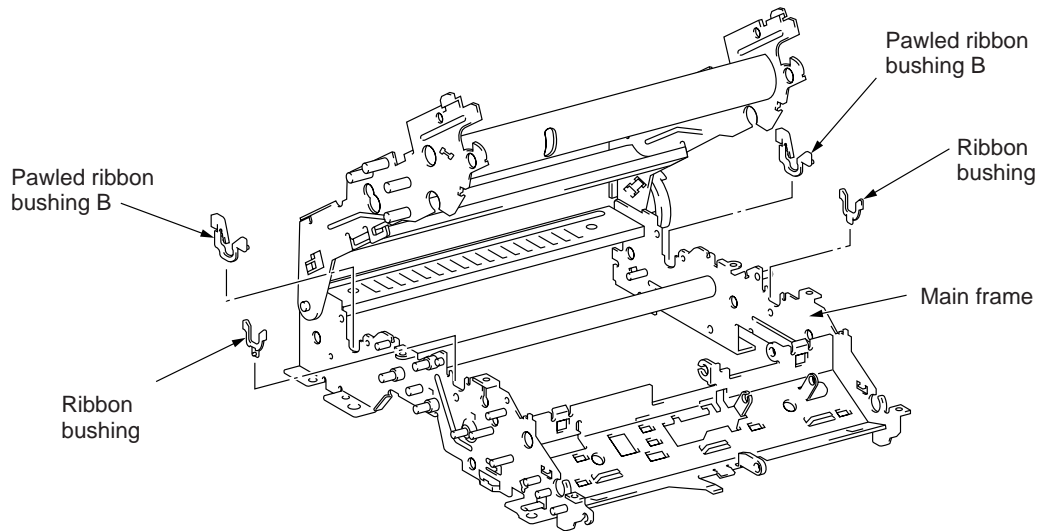


- (4) At the inside of the right rear side of the main frame, remove the retaining ring E3 and then take out the slip gear 40, friction pad, and back tension spring.



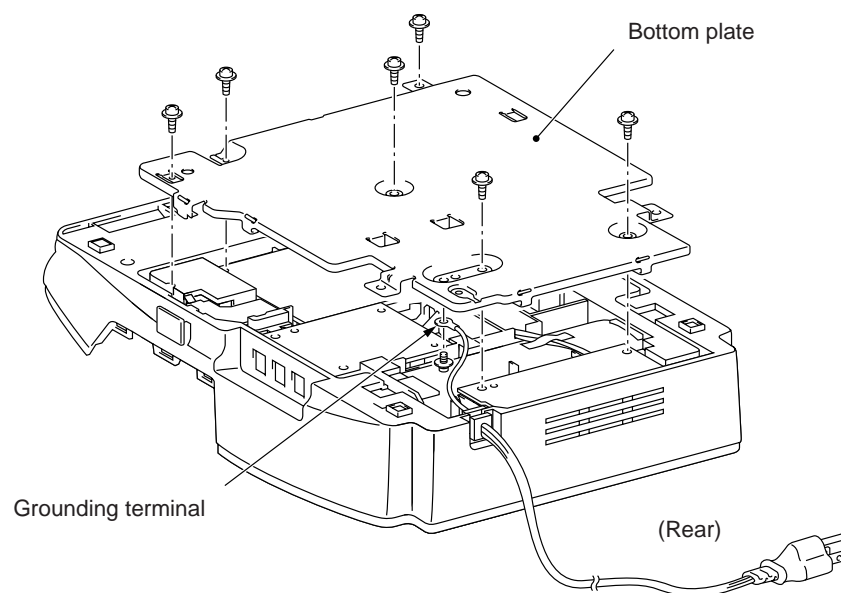
1.25 Ribbon Bushings

- (1) Remove the ribbon bushings and the pawled ribbon bushings B.



1.26 Bottom Plate

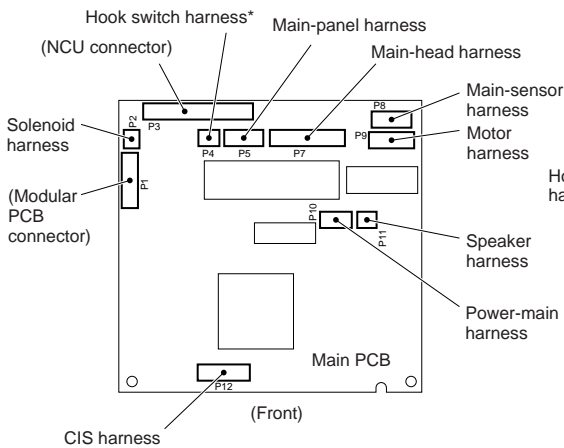
- (1) Place the machine upside down.
- (2) Remove the six screws from the bottom plate.
- (3) Slightly lift up the bottom plate and disconnect the grounding terminal.



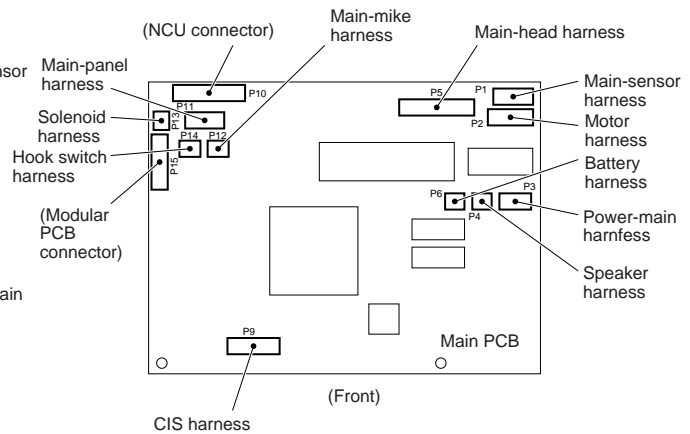
1.27 Main PCB, NCU PCB and Modular PCB

- (1) Place the machine rightside up.
 - (2) Disconnect the following harnesses from the main PCB:
 - Solenoid harness (2-pin)
 - Hook switch harness (2-pin)*
 - Main-panel harness (5-pin)
 - Main-head harness (11-pin)
 - Main-sensor harness (5-pin)
 - Motor harness (6-pin)
 - Power-main harness (4-pin)
 - Speaker harness (2-pin)
 - CIS harness (7-pin)
 - Main-mike harness (2-pin)
 - Battery harness (2-pin)
- } For the FAX1570MC/1030/MFC1870MC/1970MC

FAX1170/1270/1010/1020/MFC1770

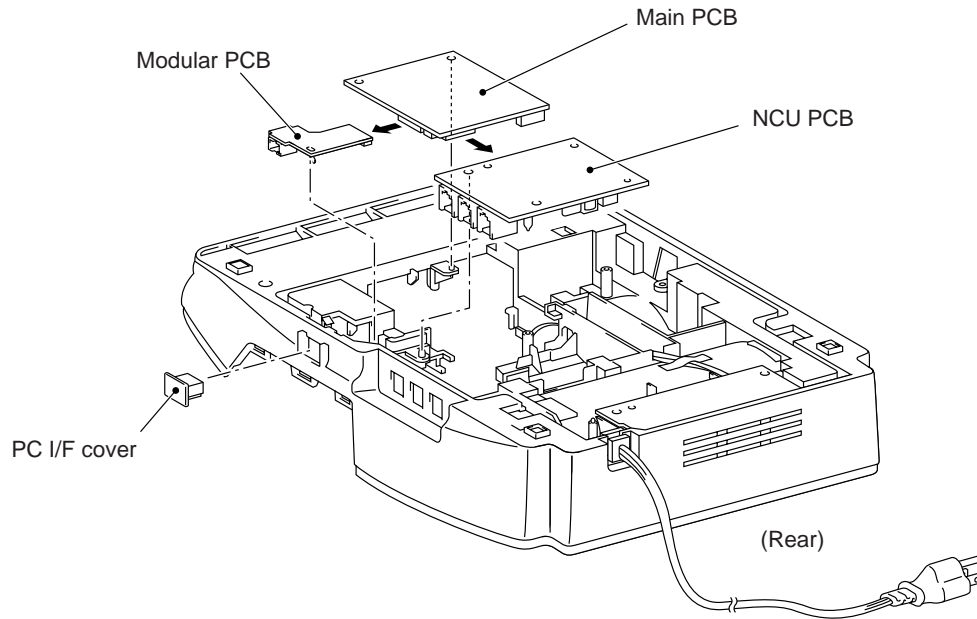


FAX1570MC/1030/MFC1870MC/1970MC



* Not provided on the FAX1010 or those versions equipped with a Binatone handset

- (3) Turn the machine upside down.
- (4) Unhook the modular PCB from the latches, slightly lift up front edge of the main PCB, and then take out the main PCB together with the modular PCB and NCU PCB.
- (5) Remove the PC I/F cover.
- (6) Disconnect the modular PCB and NCU PCB from the main PCB.



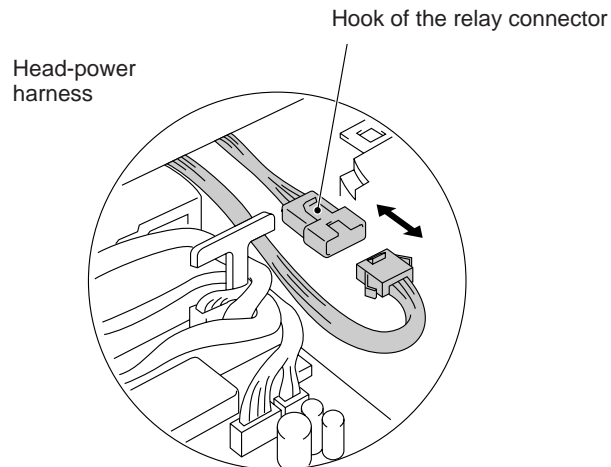
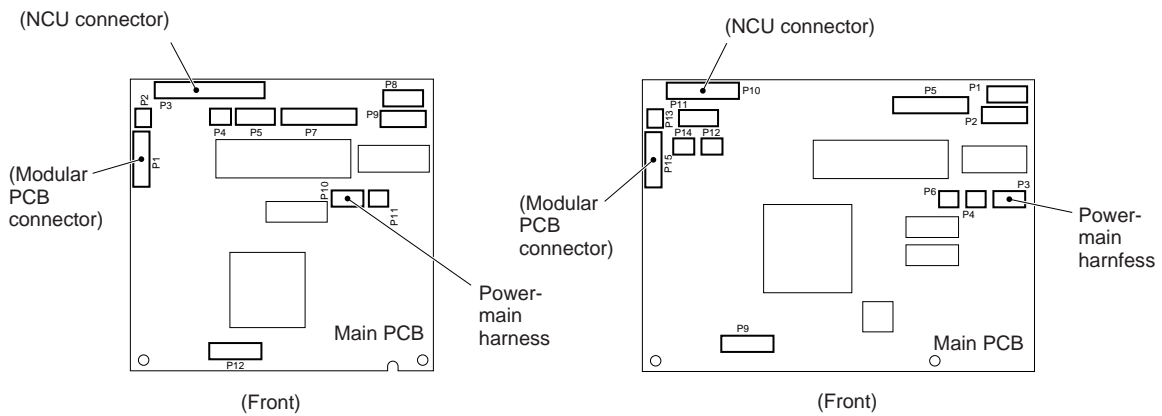
1.28 Power Supply PCB

- (1) Place the machine rightside up.
- (2) Disconnect the power-main harness from the main PCB.
- (3) Disconnect the relay connector of the head-power harness.

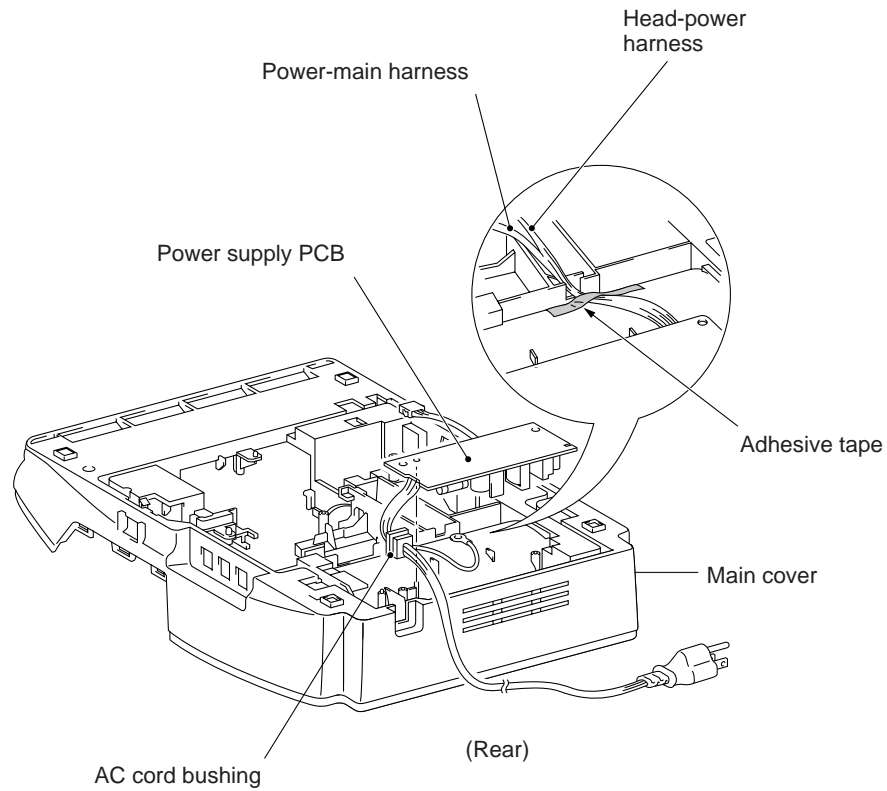
NOTE: To disconnect the relay connector, push the lock of the relay connector to release.

FAX1170/1270/1010/1020/MFC1770

FAX1570MC/1030/MFC1870MC/1970MC



- (4) Turn the machine upside down.
- (5) Remove the adhesive tape to release the power-main harness and the head-power harness.
- (6) Lift up the power supply PCB and pull out the AC cord bushing from the main cover.

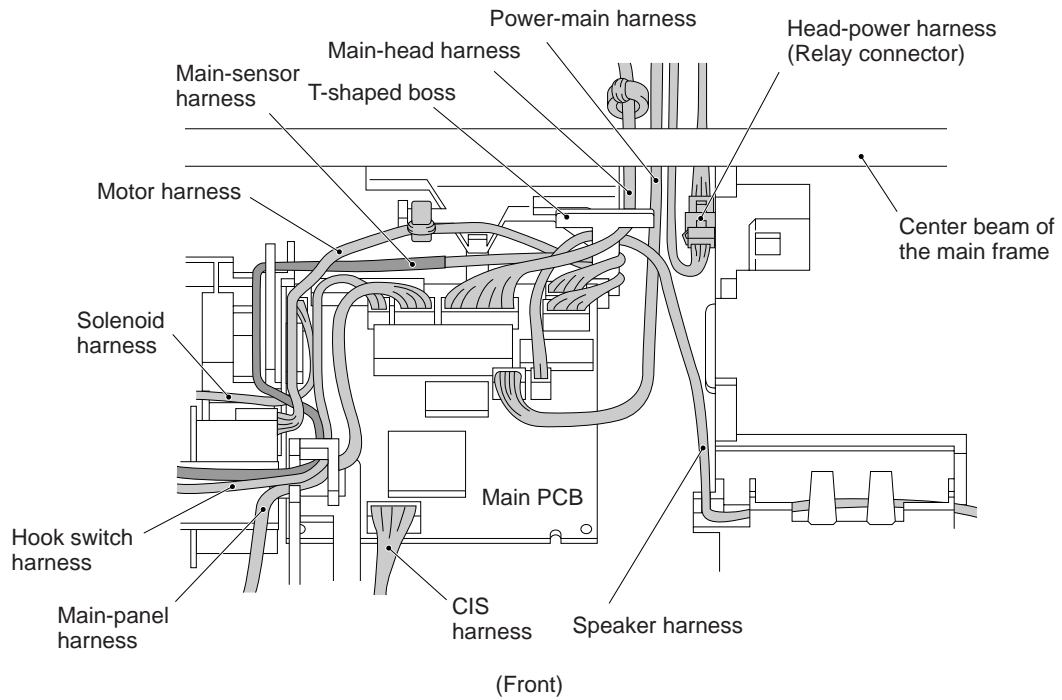


■ Reassembling Notes

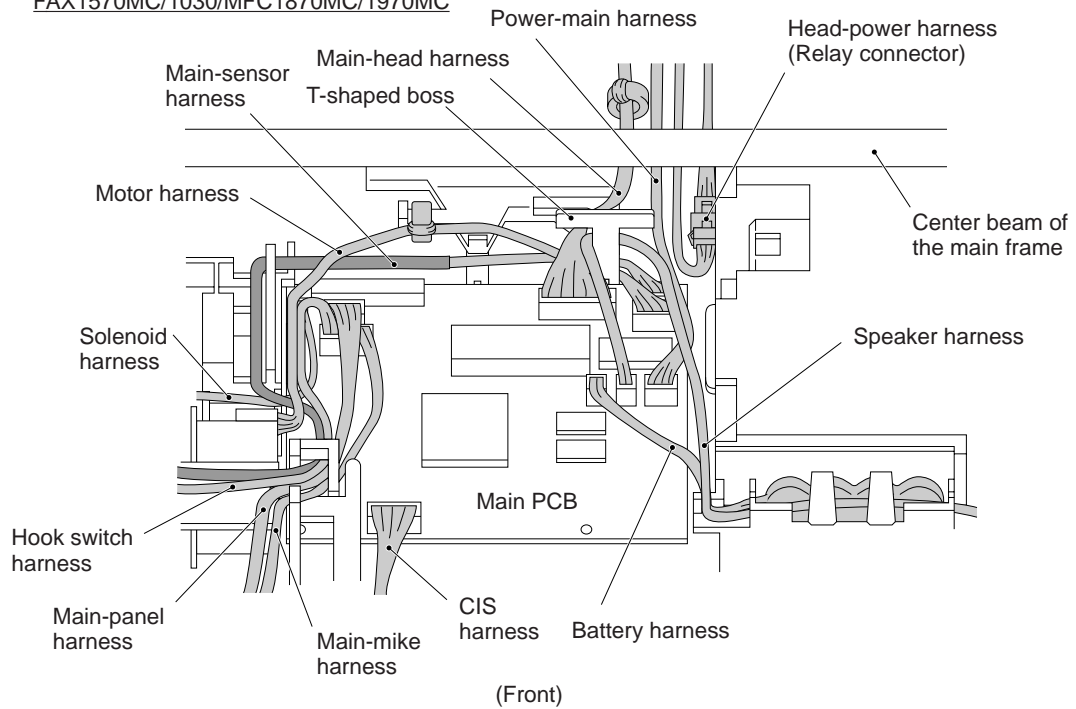
- When reinstalling the main PCB, make sure that the harnesses are routed on the main cover as illustrated in Section 1.29.

1.29 Harness Routing

FAX1170/1270/1010/1020/MFC1770



FAX1570MC/1030/MFC1870MC/1970MC



2. LUBRICATION

Apply the specified lubricants to the lubrication points as shown below.

Molykote EM-30L

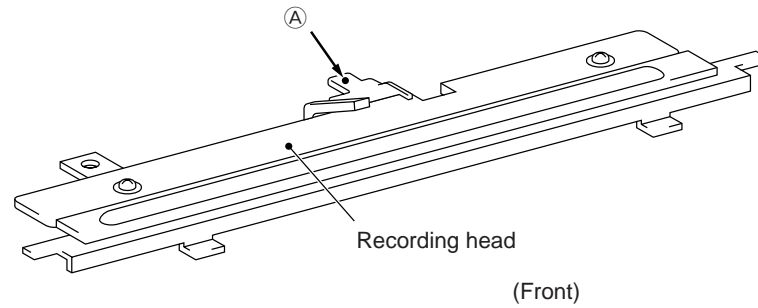
For points (A), apply a rice-sized pinch of grease (6 mm³).

For points (B), apply a bean-sized pinch of grease (12 mm³).

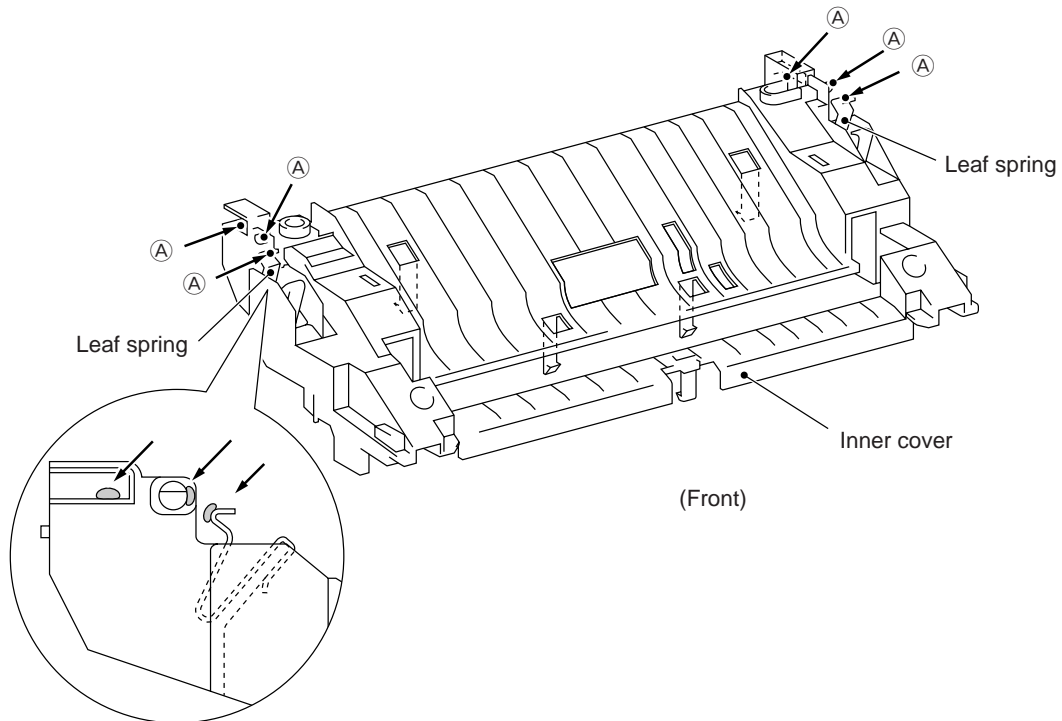
Floil GE-334C

For points (F), apply half of a rice-sized pinch of grease (3 mm³).

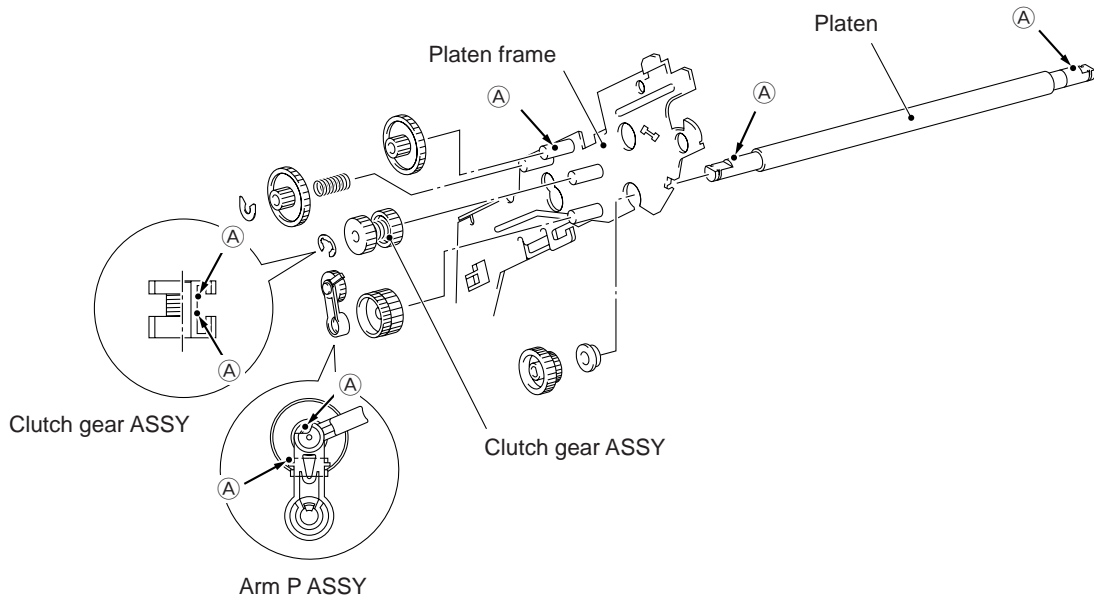
[1] Recording head



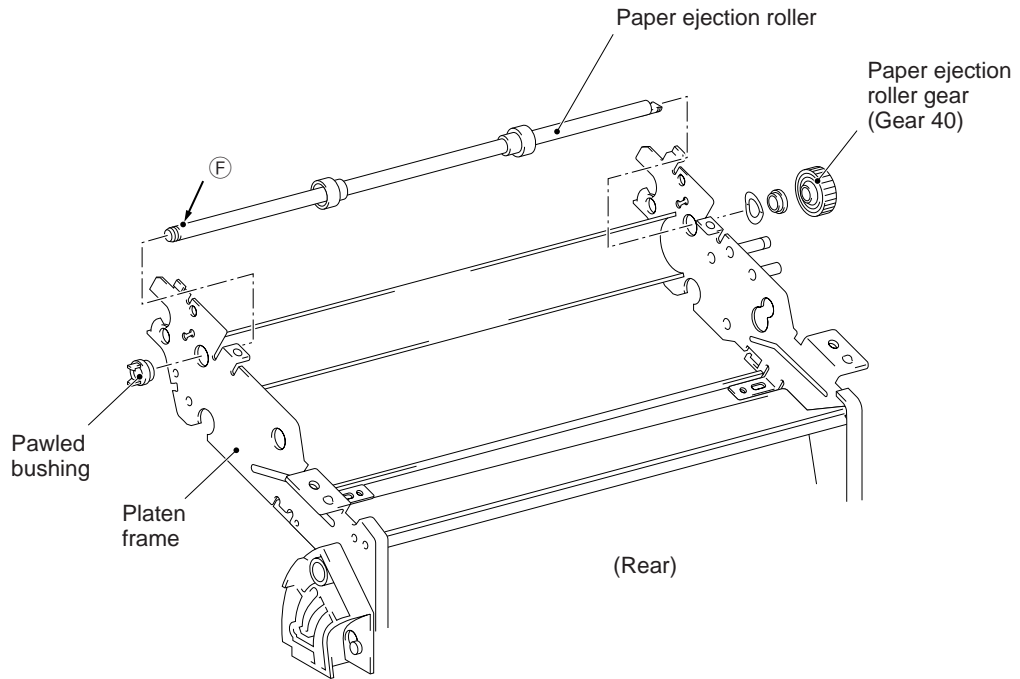
[2] Inner cover



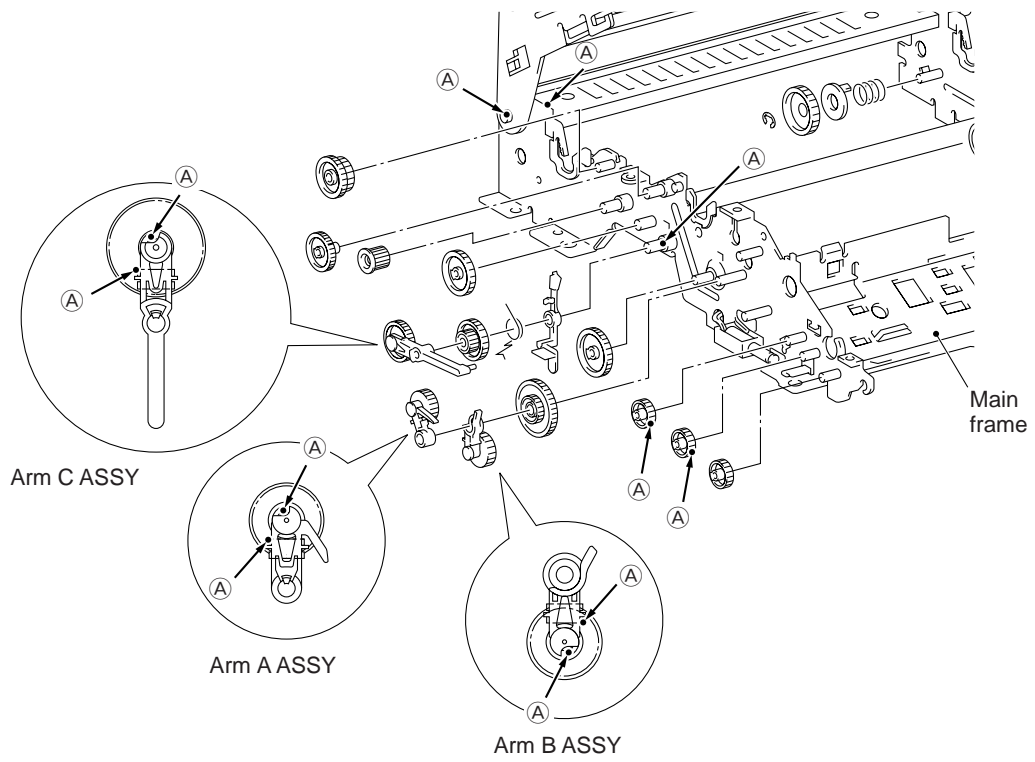
[3] Gears at the left side of the platen frame



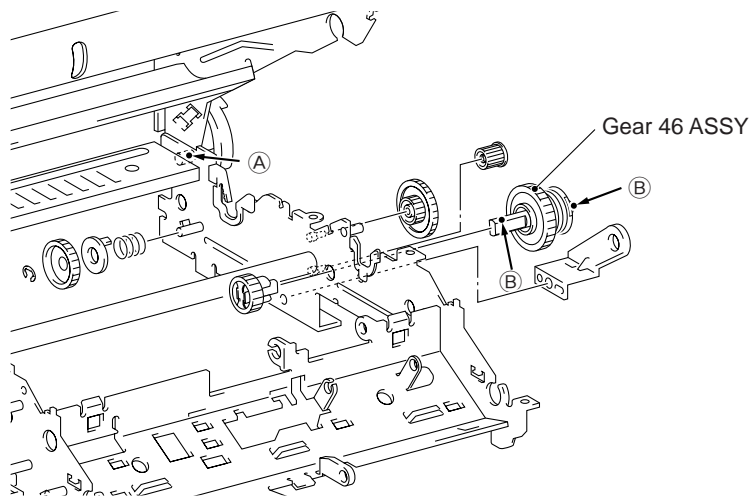
[4] Paper ejection roller



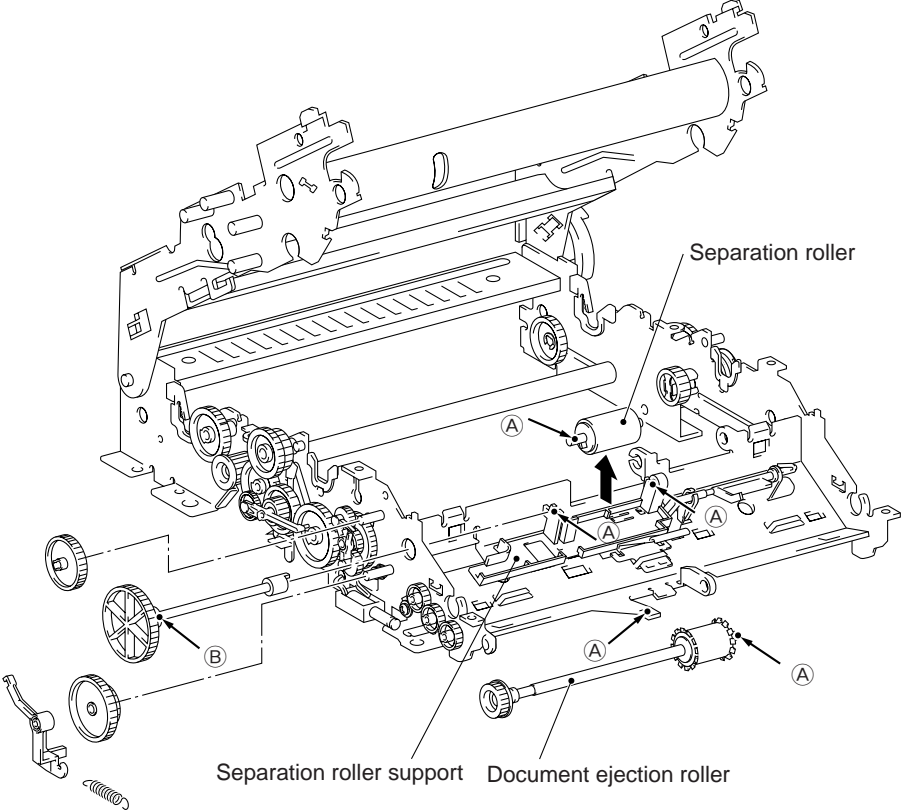
[5] Gears at the left side of the main frame



[6] Friction torque transmission ASSY at the right side of the main frame



[7] Separation roller and document ejection roller



CHAPTER V.

MAINTENANCE MODE

CONTENTS

| | |
|--|------------|
| 1. ENTRY INTO THE MAINTENANCE MODE | V-1 |
| 2. LIST OF MAINTENANCE-MODE FUNCTIONS | V-2 |
| 3. DETAILED DESCRIPTION OF MAINTENANCE-MODE FUNCTIONS | V-4 |
| 3.1 E ² PROM Parameter Initialization | V-4 |
| 3.2 Printout of Scanning Compensation Data | V-5 |
| 3.3 ADF Performance Test | V-7 |
| 3.4 Test Pattern 1 | V-8 |
| 3.5 Firmware Switch Setting and Printout | V-9 |
| 3.6 Operational Check of Control Panel PCB | V-48 |
| 3.7 Sensor Operational Check | V-50 |
| 3.8 CIS Scanner Area Setting | V-51 |
| 3.9 Equipment Error Code Indication | V-51 |
| 3.10 Document Draw Adjustment | V-52 |

1. ENTRY INTO THE MAINTENANCE MODE

To make the facsimile equipment enter the maintenance mode, press the **Function**, *****, **2**, **8**, **6**, and **4** keys in this order.

← Within 2 seconds →

The equipment beeps for approx. one second and displays " ■■ MAINTENANCE ■ㄗ■ " on the LCD, indicating that it is placed in the initial maintenance mode, a mode in which the equipment is ready to accept entry from the keys.

To select one of the maintenance-mode functions listed in Section 2, enter the corresponding 2-digit function code with the numerical keys on the control panel. (The details of each maintenance-mode function are described in Section 3.)

- NOTES:
- Pressing the **9** key twice in the initial maintenance mode restores the equipment to the standby state.
 - Pressing the **Stop** button after entering only one digit restores the equipment to the initial maintenance mode.
 - If an invalid function code is entered, the equipment resumes the initial maintenance mode.
 - The " ㄗ " in the " ■■ MAINTENANCE ■ㄗ■ " is used for checking LCDs in the factory.

2. LIST OF MAINTENANCE-MODE FUNCTIONS

Maintenance-mode Functions

| Function Code | Function | Reference Subsection (Page) |
|---------------|---|-----------------------------|
| 01 | E ² PROM Parameter Initialization | 3.1 (V-4) |
| 02 | _____ | _____ |
| 03 | _____ | _____ |
| 04 | _____ | _____ |
| 05 | Printout of Scanning Compensation Data | 3.2 (V-5) |
| 06 | _____ | _____ |
| 07 | _____ | _____ |
| 08 | ADF* Performance Test | 3.3 (V-7) |
| 09 | Test Pattern 1 | 3.4 (V-8) |
| 10 | Firmware Switch Setting | 3.5 (V-9) |
| 11 | Printout of Firmware Switch Data | 3.5 (V-47) |
| 12 | _____ | _____ |
| 13 | Operational Check of Control Panel PCB (Check of Keys and Buttons) | 3.6 (V-48) |
| 14 | _____ | _____ |
| 15 | _____ | _____ |
| | | |
| 32 | Sensor Operational Check | 3.7 (V-50) |
| | | |
| 55 | CIS Scanner Area Setting | 3.8 (V-51) |
| | | |
| 82 | Equipment Error Code Indication | 3.9 (V-51) |
| | | |
| 91 | E ² PROM Parameter Initialization (except the telephone number storage area) | 3.1 (V-4) |

* ADF: Automatic document feeder

----- IMPORTANT -----

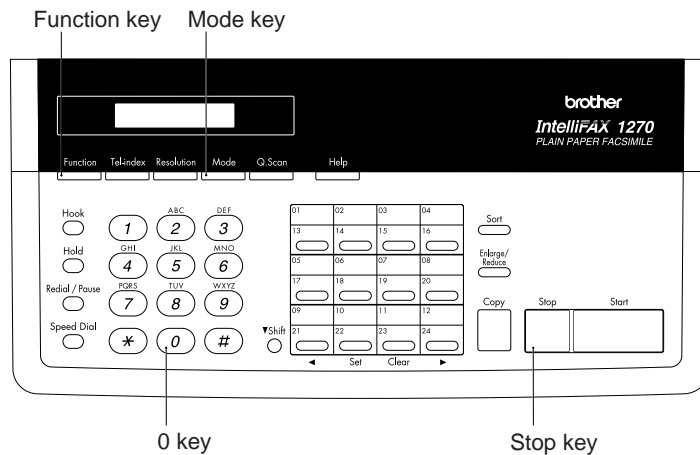
Basically, the maintenance-mode functions listed on the previous page should be accessed by service personnel only. However, you may allow end users to access some of these under the guidance of service personnel (e.g., by telephone).

The user-accessible functions (codes 10, 11, 82, and 91) are shaded in the above table. Function code 10 accesses the firmware switches WSW01 to WSW34, each of which has eight selectors. You should not allow end users to access all of those selectors, but you may allow them to access user-accessible selectors which are shaded in the firmware switch tables in Subsection 3.5.

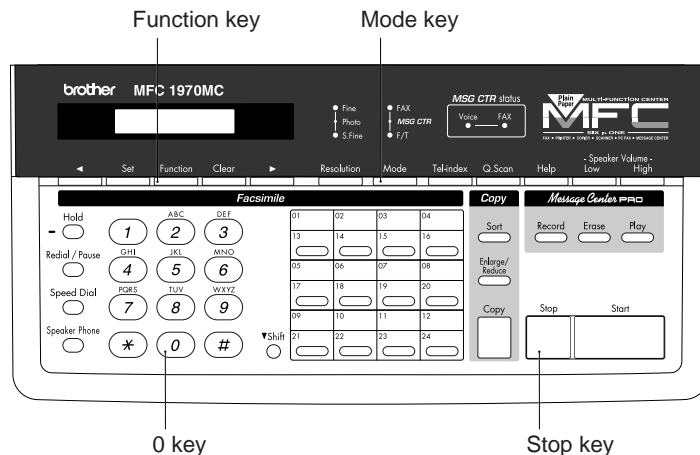
The service personnel should instruct end users to follow the procedure given below.

- (1) Press the **Function** key and the **Mode** key in this order.
The LCD clears the current display.
NOTE: The **Mode** key is inoperable during standby for redialing and timer.
- (2) Press the **0** key.
- (3) Enter the desired function code (10, 11, 82, or 91) with the numerical keys.
For function code 10, access the desired firmware switch according to the operating procedure described in Subsection 3.5.
- (4) To make the equipment return to the standby state, press the **Stop** key.

FAX1170/1270/1010/1020/MFC1770



FAX1570MC/1030/MFC1870MC/1970MC



3 DETAILED DESCRIPTION OF MAINTENANCE-MODE FUNCTIONS

3.1 E²PROM Parameter Initialization

■ Function

The equipment initializes the parameters, user switches, and firmware switches registered in the E²PROM, to the initial values. Entering the function code 01 initializes all of the E²PROM areas, but entering 91 does not initialize some areas, as listed below.

| Function code | 01 | 91 |
|--|-----------------------------------|---------------------------------------|
| Data item | | |
| Maintenance-mode functions | All of these will be initialized. | These will be initialized. |
| User switches | | |
| Firmware switches | | |
| Remote activation code | | |
| Activity report | | |
| Distinctive ringing patterns registered (only for the U.S.A. versions) | | |
| Station ID data | All of these will be initialized. | These will <u>not</u> be initialized. |
| Outside line number | | |
| Telephone function registration | | |
| One-touch dialing | | |
| Speed dialing | | |

■ Operating Procedure

- (1) Press the 0 and 1 keys (or the 9 and 1 keys according to your need) in this order in the initial maintenance mode.
The "PARAMETER INIT" will appear on the LCD.
- (2) Upon completion of parameter initialization, the equipment returns to the initial maintenance mode.

3.2 Printout of Scanning Compensation Data

■ Function

The equipment prints out the white and black level data for scanning compensation.

■ Operating Procedure

Do not start this function merely after powering on the equipment but start it after carrying out a sequence of scanning operation. Unless the equipment has carried out any scanning operation, this function cannot print out correct scanning compensation data. This is because the equipment initializes white and black level data and takes in the scanning compensation reference data at the start of scanning operation.

- (1) Press the **[0]** and **[5]** keys in this order in the initial maintenance mode.
The "WHITE LEVEL 1" will appear on the LCD.
- (2) The equipment prints out the scanning compensation data list containing the following:
MFC1970MC
 - a) 2-value quantized white level data (208 bytes)
 - b) 2-value quantized black level data (1 byte)
 - c) Photo-mode white level data (208 bytes)
 - d) Photo-mode black level data (1 byte)
 - e) Compensation coefficient for background color (1 byte)
 - f) Initial LED light intensity value (1 byte)
 - g) LED light intensity value, 2-value quantized LED light intensity value, and photo-mode LED light intensity value (3 bytes)
 - h) 2-value quantized A/D reference value and photo-mode A/D reference value (2 bytes)
 - i) LED light intensity value on the platen and documents (2 bytes)
 - j) Threshold value on the platen (1 byte)
Other models
 - a) White level data (208 bytes)
 - b) Black level data (1 byte)
 - c) Clamp PWM value (1 byte)
 - d) Compensation data for background color (1 byte)
 - e) Initial LED light intensity value (1 byte)
 - f) LED light intensity value (1 byte)
 - g) LED light intensity value on the platen and documents (2 bytes)
 - h) Threshold value on the platen (1 byte)
- (3) Upon completion of recording of the compensation data list, the equipment returns to the initial maintenance mode.

NOTE: If any data is abnormal, its code will be printed in inline style, as shown on the next page.

```

5F00 : DD DE E3 DF E6 EB F4 EA ED EF E8 F0 F4 FB FC FB
5F10 : F6 F4 ED EB F3 FD F9 F6 EC ED EB F2 F3 F9 F1 E9
5F20 : E8 E9 E4 E6 E8 E6 E8 E6 E4 E0 E1 E0 D8 D7 D2 D8
5F30 : D7 D4 D1 D8 D6 D5 D1 C7 CC C5 C9 C8 48 29 2B 27
5F40 : 23 25 21 27 22 24 26 24 22 26 25 24 26 25 25 23
5F50 : 22 27 25 22 22 24 25 25 24 23 24 22 22 21 24 21
5F60 : 24 22 22 28 28 38 31 3F 3E 23 25 25 22 20 2B 44
5F70 : 29 24 25 24 23 23 24 24 29 29 23 2A 23 2A 25 86
5F80 : CF DB D5 CB D5 DC D7 D1 D3 D3 D0 CF D0 D7 D7 D5
5F90 : D5 DB DE E1 E4 E0 DE D4 D6 DF DE E0 E5 E9 EA E7
5FA0 : E3 E4 E4 DA DF DC DD D5 D5 DC DC E0 DC DA D7 CE
5FB0 : CB D1 D3 D6 D2 CF D1 CC D1 D1 D2 CD CC D0 CD CB
5FC0 : CC D4 DB DD DF DD D9 D9 E1 E3 EF EF E8 E7 E8 D0

```

5F00 : 11

```

5F00 : 00 00 00 00 00 00 00 00 00 00 00 00 00 00 00 00
5F10 : 00 00 00 00 00 00 00 00 00 00 00 00 00 00 00 00
5F20 : 00 00 00 00 00 00 00 00 00 00 00 00 00 00 00 00
5F30 : 00 00 00 00 00 00 00 00 00 00 00 00 00 00 00 00
5F40 : 00 00 00 00 00 00 00 00 00 00 00 00 00 00 00 00
5F50 : 00 00 00 00 00 00 00 00 00 00 00 00 00 00 00 00
5F60 : 00 00 00 00 00 00 00 00 00 00 00 00 00 00 00 00
5F70 : 00 00 00 00 00 00 00 00 00 00 00 00 00 00 00 00
5F80 : 00 00 00 00 00 00 00 00 00 00 00 00 00 00 00 00
5F90 : 00 00 00 00 00 00 00 00 00 00 00 00 00 00 00 00
5FA0 : 00 00 00 00 00 00 00 00 00 00 00 00 00 00 00 00
5FB0 : 00 00 00 00 00 00 00 00 00 00 00 00 00 00 00 00
5FC0 : 00 00 00 00 00 00 00 00 00 00 00 00 00 00 00 00

```

5F00 : 11

5F00 : 00

5F00 : C0

5F00 : C0 C0 AC

5F00 : 3B 34

5F00 : 00 00

5F00 : FF

Scanning Compensation Data List (MFC1970MC)

```

5F00 : 27 34 35 34 34 36 37 34 33 34 34 35 35 38 3A 38
5F10 : 37 36 34 34 35 37 38 37 35 36 35 37 37 38 39 36
5F20 : 34 33 33 35 34 34 35 33 33 32 31 31 33 34 36 35
5F30 : 35 34 36 37 38 37 37 34 34 33 33 34 35 38 36 34
5F40 : 34 33 32 31 35 36 34 32 30 30 32 33 34 35 36 35
5F50 : 05 30 32 35 03 06 07 05 05 05 05 06 05 05 07 07
5F60 : 06 04 05 04 05 05 05 03 06 06 05 06 05 05 05 04
5F70 : 04 04 05 05 05 05 05 04 04 04 05 05 05 04 04 04
5F80 : 04 04 04 04 05 04 04 04 04 04 04 05 05 05 04 04
5F90 : 05 05 04 05 05 05 05 23 2D 30 31 33 35 34 33 32
5FA0 : 33 33 35 34 34 32 32 2F 31 33 34 36 34 33 32 31
5FB0 : 32 32 31 33 32 32 33 32 32 32 33 31 32 32 30 30
5FC0 : 30 31 34 35 33 32 30 2F 30 30 30 30 30 2F 2F 30

```

5F00 : 02

5F00 : 98

5F00 : 00

5F00 : C0

5F00 : C0

5F00 : 00 00

5F00 : FF

Scanning Compensation Data List (Other models)

3.3 ADF Performance Test

■ Function

The equipment counts the documents fed by the automatic document feeder (ADF) and displays the count on the LCD for checking the ADF performance.

■ Operating Procedure

- (1) Set documents. (Allowable up to the ADF capacity.)
The "DOC. READY" will appear on the LCD.
- (2) Press the and keys in this order.
The equipment
 - i) copies the 1st document and displays "COPY P.01 STD" on the LCD,
 - ii) feeds in and out the 2nd through 4th documents while counting without copying them as the LCD shows the corresponding count,
 - iii) copies the 5th document and displays "COPY P.05 STD" on the LCD,
 - iv) feeds in and out the 6th through 9th documents while counting without copying them as the LCD shows the corresponding count, and
 - v) copies the 10th document and displays "COPY P.10 STD" on the LCD.
- (3) Upon completion of feeding in and out all of the documents, the final count appears on the LCD.
- (4) Press the key to return the equipment to the initial maintenance mode.

3.4 Test Pattern 1

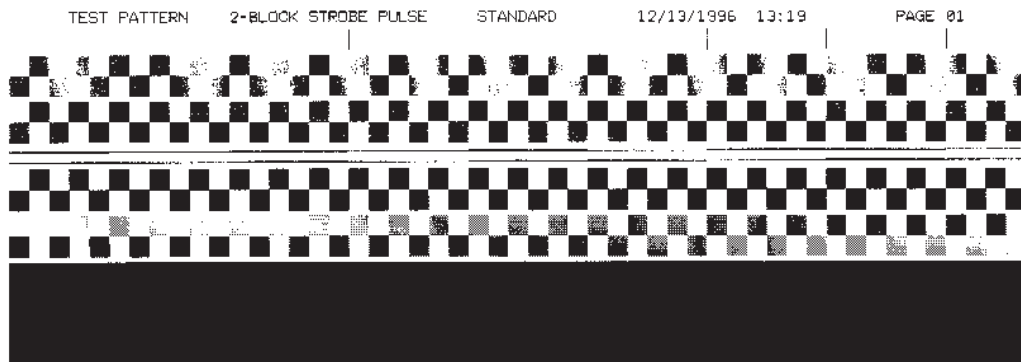
■ Function

This function, much like the copying function, prints out test pattern 1 to allow the service personnel to check for record data missing or print quality.

■ Operating Procedure

Press the **0** and **9** keys in this order in the initial maintenance mode.

The figure below shows test pattern 1.



Test Pattern 1

3.5 Firmware Switch Setting and Printout

[A] Firmware switch setting

■ Function

The facsimile equipment incorporates the following firmware switch functions (WSW01 through WSW34) which may be activated with the procedures using the control panel keys and buttons.

The firmware switches have been set at the factory in conformity to the communications standards and codes of each country. Do not disturb them unless necessary. Some firmware switches may not be applicable in some versions. The firmware switch data list indicates "Not used." for those inapplicable switches.

Firmware Switches (WSW01 through WSW34)

| WSW No. | Function | Reference Page |
|---------|---|----------------|
| WSW01 | Dial pulse setting | V-11 |
| WSW02 | Tone signal setting | V-12 |
| WSW03 | PABX mode setting | V-13 |
| WSW04 | TRANSFER facility setting | V-15 |
| WSW05 | 1st dial tone and busy tone detection | V-16 |
| WSW06 | PAUSE key setting and 2nd dial tone detection | V-18 |
| WSW07 | Dial tone setting 1 | V-20 |
| WSW08 | Dial tone setting 2 | V-21 |
| WSW09 | Protocol definition 1 | V-22 |
| WSW10 | Protocol definition 2 | V-23 |
| WSW11 | Busy tone setting | V-24 |
| WSW12 | Signal detection condition setting | V-25 |
| WSW13 | Modem setting | V-26 |
| WSW14 | AUTO ANS facility setting | V-27 |
| WSW15 | REDIAL facility setting | V-28 |
| WSW16 | Function setting 1 | V-29 |
| WSW17 | Function setting 2 | V-30 |
| WSW18 | Function setting 3 | V-31 |
| WSW19 | Transmission speed setting | V-32 |
| WSW20 | Overseas communications mode setting | V-33 |
| WSW21 | TAD setting 1 | V-34 |
| WSW22 | Copy resolution setting | V-34 |
| WSW23 | Communications setting | V-35 |
| WSW24 | TAD setting 2 | V-36 |
| WSW25 | TAD setting 3 | V-37 |
| WSW26 | Function setting 4 | V-38 |
| WSW27 | Function setting 5 | V-39 |
| WSW28 | Function setting 6 | V-40 |
| WSW29 | Function setting 7 | V-41 |
| WSW30 | Function setting 8 | V-42 |
| WSW31 | Function setting 9 | V-43 |
| WSW32 | Function setting 10 | V-44 |
| WSW33 | Function setting 11 | V-45 |
| WSW34 | Function setting 12 | V-46 |

■ **Operating Procedure**

- (1) Press the **1** and **0** keys in this order in the initial maintenance mode.
The equipment displays the "WSW00" on the LCD and becomes ready to accept a firmware switch number.
- (2) Enter the desired number from the firmware switch numbers (01 through 34).
The following appears on the LCD:
WSWXX = 0 0 0 0 0 0 0
- (3) Use the **◀** and **▶** keys to move the cursor to the selector position to be modified.
- (4) Enter the desired number using the **0** and **1** keys.
- (5) Press the **Set** key. This operation saves the newly entered selector values onto the E²PROM and readies the equipment for accepting a firmware switch number.
- (6) Repeat steps (2) through (5) until the modification for the desired firmware switches is completed.
- (7) Press the **Set** or **Stop** key to return the equipment to the initial maintenance mode.

NOTES:

- To cancel this operation and return the equipment to the initial maintenance mode during the above procedure, press the **Stop** key.
- If there is a pause of more than one minute after a single-digit number is entered for double-digit firmware switch numbers, the equipment will automatically return to the initial maintenance mode.

■ **Note**

The user-accessible selectors of the firmware switches are shaded in the tables given on the following pages.

■ Detailed Description for the Firmware Switches

WSW01 (Dial pulse setting)

| Selector No. | Function | Setting and Specifications |
|--------------|--|--|
| 1 2 | Dial pulse generation mode | No. 1 2 0 0 : N 0 1 : N+1 1 0 : 10-N 1 1 : N |
| 3 4 | Break time length in pulse dialing | No. 3 4 0 0 : 60 ms 0 1 : 67 ms 1 0 : 40 ms (for 16 PPS) 1 1 : 64 ms (at 106-ms intervals) |
| 5 6 | Inter-digit pause | No. 5 6 0 0 : 800 ms 0 1 : 850 ms 1 0 : 950 ms 1 1 : 600 ms |
| 7 | Switching between pulse (DP) and tone (PB) dialing, by the function switch | 0: Yes 1: No |
| 8 | Default dialing mode, pulse (DP) or tone (PB) dialing | 0: PB 1: DP |

● **Selectors 1 and 2: Dial pulse generation mode**

These selectors set the number of pulses to be generated in pulse dialing.

N: Dialing "N" generates "N" pulses. (Dialing "0" generates 10 pulses.)

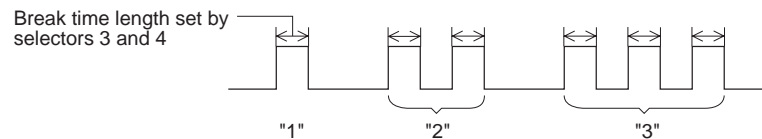
N + 1: Dialing "N" generates "N + 1" pulses.

10 - N: Dialing "N" generates "10 - N" pulses.

● **Selectors 3 and 4: Break time length in pulse dialing**

These selectors set the break time length in pulse dialing.

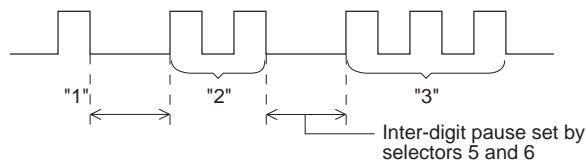
(Example: If "1," "2," and "3" are dialled when N is set by selectors 1 and 2.)



● **Selectors 5 and 6: Inter-digit pause**

These selectors set the inter-digit pause in pulse dialing.

(Example: If "1," "2," and "3" are dialled when N is set by selectors 1 and 2.)

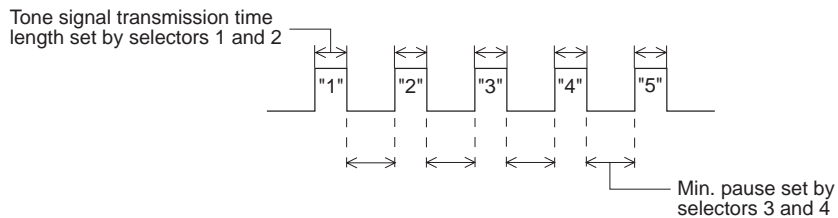


- **Selector 7: Switching between pulse (DP) and tone (PB) dialing, by the function switch**
This selector determines whether or not the dialing mode may be switched between the pulse (DP) and tone (PB) dialing by using the function switch.
- **Selector 8: Default dialing mode, pulse (DP) or tone (PB) dialing**
This selector sets the default dialing mode (pulse dialing or tone dialing) which may be changed by the function switch. If the user switches it with the function switch when selector 7 is set to "0," the setting specified by this selector will be also switched automatically.

WSW02 (Tone signal setting)

| Selector No. | Function | Setting and Specifications |
|--------------|--|--|
| 1 2 | Tone signal transmission time length | No. 1 2 0 0 : 70 ms 0 1 : 80 ms 1 0 : 90 ms 1 1 : 100 ms |
| 3 4 | Min. pause in tone dialing | No. 3 4 0 0 : 70 ms 0 1 : 80 ms 1 0 : 90 ms 1 1 : 140 ms |
| 5 8 | Attenuator for pseudo ring backtone to the line (selectable in the range of 0-15 dB) | 0: 0 dB 1: 8 dB 0: 0 dB 1: 4 dB 0: 0 dB 1: 2 dB 0: 0 dB 1: 1 dB |

- **Selectors 1 through 4: Tone signal transmission time length and Min. pause in tone dialing**
These selectors set the tone signal transmission time length and minimum pause in tone dialing.
(Example: If "1," "2," "3," "4," and "5" are dialled.)



- **Selectors 5 through 8: Attenuator for pseudo ring backtone to the line**
These selectors are used to adjust the sound level of beep generated as a ring backtone in the F/T mode or as a signal during remote control operation or at the start of ICM recording. Setting two or more selectors to "1" produces addition of attenuation assigned to each selector.
This setting will be limited if selector 8 of WSW23 is set to "0."

WSW03 (PABX* mode setting)

| Selector No. | Function | Setting and Specifications |
|--------------|--|--|
| 1 | CNG detection when sharing a modular wall socket with a telephone | 0: A 1: B |
| 2 4 | Min. detection time length of PABX* dial tone, required for starting dialing | No. 2 3 4 0 0 0 : 50 ms 0 0 1 : 210 ms 0 1 0 : 500 ms 0 1 1 : 800 ms 1 0 0 : 900 ms 1 0 1 : 1.5 sec. 1 1 0 : 2.0 sec. 1 1 1 : 2.5 sec. |
| 5 | CNG detection when sharing a modular wall socket with a telephone | 0: A 1: B |
| 6 7 | Dial tone detection in PABX* | No. 6 7 0 0 : No detection (3.5 sec. WAIT) 0 1 : No detection (5 sec. WAIT) 1 0 : No detection (7 sec. WAIT) 1 1 : Detection (Frequency only) |
| 8 | "R" key function | 0: 1st dial tone detection add 1: No 1st dial tone detection |

* PABX: Private automatic branch exchange

NOTE: Selectors 2 through 4 and 6 through 8 are not applicable where no PABX is installed.

● **Selectors 1 and 5: CNG detection when sharing a modular wall socket with a telephone**

These selectors determine whether or not the equipment detects a CNG signal when a line is connected to a telephone sharing a modular wall socket with the equipment. If these selectors are set to "0,0," the equipment does not detect CNG. If set to other selector values, the equipment interprets CNG as an effective signal upon detection of CNG signals by the number of cycles specified by these selectors and then starts FAX reception.

| Selector | | Cycle |
|----------|-------|--------------|
| No.1 | No. 5 | |
| 0 (A) | 0 (A) | No detection |
| 0 (A) | 1 (B) | One cycle |
| 1 (B) | 0 (A) | 1.5 cycles |
| 1 (B) | 1 (B) | 2 cycles |

● **Selectors 2 through 4: Min. detection time length of PABX dial tone, required for starting dialing**

Upon detection of the PABX dial tone for the time length set by these selectors, the equipment starts dialing.

These selectors are effective only when both selectors 6 and 7 are set to "1" (Detection).

- **Selectors 6 and 7: Dial tone detection in PABX**

These selectors activate or deactivate the dial tone detection function which detects a dial tone when a line is connected to the PABX.

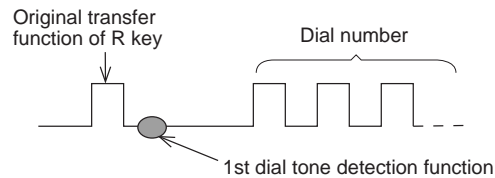
Setting both of these selectors to "1" activates the dial tone detection function so that the equipment starts dialing upon detection of a dial tone when a line is connected.

Other setting combinations deactivate the dial tone detection function so that the equipment starts dialing after the specified WAIT (3.5, 5.0, or 7.0 sec.) without detection of a dial tone when a line is connected.

- **Selector 8: "R" key function**

This selector determines whether or not the 1st dial tone detection function (specified by selectors 1 through 3 of WSW05) is added to the R key.

If this selector is set to "0," pressing the R key automatically activates the 1st dial tone detection function when the PABX and the automatic calling are selected by using the function switch. If you press the R key and a dial number in succession, the equipment will automatically carry out the 1st dial tone detection function following the original transfer function as shown below.



WSW04 (TRANSFER facility setting)

| Selector No. | Function | Setting and Specifications |
|--------------|--|--|
| 1 | Earth function in transfer facility | 0: Provided 1: Not provided |
| 2 3 | Dual tone detection frequency in ICM recording | No. 2 3 0 0 : 350 or 440 Hz (A) 0 1 : 440 or 480 Hz (B) 1 x : 480 or 620 Hz (C) |
| 4 | Tone detection sensitivity in ICM recording | 0: OFF 1: High |
| 5 6 | Earth time length for earth function | No. 5 6 0 0 : 200 ms 0 1 : 300 ms 1 0 : 500 ms 1 1 : 700 ms |
| 7 8 | Break time length for flash function | No. 7 8 0 0 : 80 ms 0 1 : 110 ms 1 0 : 250 ms 1 1 : 500 ms |

NOTE: Selectors 1 and 5 through 8 are not applicable in those countries where no transfer facility is supported.

- **Selector 1: Earth function in transfer facility**

This selector determines whether or not the earth function is added to the transfer setting menu to be accessed by the function switch.

- **Selectors 2 and 3: Dual tone detection frequency in ICM recording**

If the equipment detects either of the frequencies set by these selectors in ICM recording, it will disconnect the line. For example, if these selectors are set to "0, 0," the equipment will disconnect the line upon detection of 350 Hz or 440 Hz.

- **Selector 4: Tone detection sensitivity in ICM recording**

Setting this selector to "1" increases the tone detection sensitivity in ICM recording.

- **Selectors 5 and 6: Earth time length for earth function**

These selectors set the short-circuiting time length of the telephone line (La or Lb) to ground. This setting is effective only when the earth function is selected for the R key by using the function switch.

- **Selectors 7 and 8: Break time length for flash function**

These selectors set the break time length.

This setting is effective only when the flash function is selected for the R key by using the function switch.

WSW05 (1st dial tone and busy tone detection)

| Selector No. | Function | Setting and Specifications |
|--------------|--|---|
| 1 3 | 1st dial tone detection | No. 1 2 3 0 0 0 : 3.5 sec. WAIT 0 0 1 : 7.0 sec. WAIT 0 1 0 : 10.5 sec. WAIT 0 1 1 : 14.0 sec. WAIT 1 0 0 : 17.5 sec. WAIT 1 0 1 : 21.0 sec. WAIT 1 1 0 : 24.5 sec. WAIT 1 1 1 : Detection (Without WAIT) |
| 4 | Max. pause time allowable for remote ID code detection | 0: 2 seconds 1: 1 second |
| 5 6 | Busy tone detection in automatic sending mode | No. 5 6 0 0 : No detection 0 1 : Detection only after dialing 1 0 : No detection 1 1 : Detection before and after dialing |
| 7 | Busy tone detection in automatic receiving mode | 0: Yes 1: No |
| 8 | Not used. | |

NOTE: Selectors 5 through 7 are not applicable in those countries where no busy tone detection is supported, e.g., U.S.A.

● **Selectors 1 through 3: 1st dial tone detection**

These selectors activate or deactivate the 1st dial tone detection function which detects the 1st dial tone issued from the PSTN when a line is connected to the PSTN.

Setting all of these selectors to "1" activates the dial tone detection function so that the equipment starts dialing upon detection of a dial tone when a line is connected. (However, in those countries which support no dial tone detection function, e.g., in the U.S.A., setting these selectors to "1" makes the equipment start dialing after a WAIT of 3.5 seconds.) For the detecting conditions of the 1st dial tone, refer to WSW07 and WSW08.

Other setting combinations deactivate the dial tone detection function so that the equipment starts dialing after the specified WAIT (3.5, 7.0, 10.5, 14.0, 17.5, 21.0, or 24.5 seconds) without detection of a dial tone when a line is connected to the PSTN.

● **Selector 4: Max. pause time allowable for remote ID code detection**

This selector sets the maximum pause time allowable for detecting the second digit of a remote ID code after detection of the first digit in remote reception.

If selector 4 is set to "0" (2 seconds), for instance, only a remote ID code whose second digit is detected within 2 seconds after detection of the first digit will become effective so as to activate the remote function.

- **Selectors 5 and 6: Busy tone detection in automatic sending mode**

These selectors determine whether or not the equipment automatically disconnects a line upon detection of a busy tone in automatic sending mode.

Setting selector 6 to "0" ignores a busy tone so that the equipment does not disconnect the line.

Setting selectors 5 and 6 to "0" and "1," respectively, makes the equipment detect a busy tone only after dialing and disconnect the line.

Setting both of selectors 5 and 6 to "1" makes the equipment detect a busy tone before and after dialing and then disconnect the line.

- **Selector 7: Busy tone detection in automatic receiving mode**

This selector determines whether or not the equipment automatically disconnects a line upon detection of a busy tone in automatic receiving mode.

WSW06 (PAUSE key setting and 2nd dial tone detection)

| Selector No. | Function | Setting and Specifications |
|--------------|---|---|
| 1 3 | PAUSE key setting and 2nd dial tone detection | No. 1 2 3 0 0 0 : No pause 0 0 1 : 3.5 sec. WAIT 0 1 0 : 7 sec. WAIT 0 1 1 : 10.5 sec. WAIT 1 0 0 : 14 sec. WAIT 1 0 1 : 17.5 sec. WAIT 1 1 0 : 2nd dial tone detection only in pulse dialing (DP) system 1 1 1 : 2nd dial tone detection both in DP and push-button (PB) dialing systems |
| 4 6 | Detection of international tone | No. 4 5 6 0 0 0 : 50 ms 0 0 1 : 210 ms 0 1 0 : 500 ms 0 1 1 : 800 ms 1 0 0 : 900 ms 1 0 1 : 1.5 sec. 1 1 0 : 2.0 sec. 1 1 1 : 2.5 sec. |
| 7 | No. of dial tone detection times | 0: Once 1: Twice |
| 8 | 2nd dial tone interrupt detecting time | 0: 30 ms 1: 50 ms |

NOTE: Selectors 4 through 8 are not applicable in those countries where no dial tone detection is supported, e.g., U.S.A.

● **Selectors 1 through 3: PAUSE key setting and 2nd dial tone detection**

| Selectors | | | |
|-----------|---|---|---|
| 1 | 2 | 3 | |
| 0 | 0 | 0 | No WAIT is inserted even if the PAUSE key is pressed. |
| 0 | 0 | 1 | Pressing the PAUSE key inserts WAIT in pulse dialing, as defined in the above table. |
| 0 | 1 | 0 | |
| 0 | 1 | 1 | If the PAUSE key is pressed repeatedly, the equipment beeps a refusal sound and refuses the entry. |
| 1 | 0 | 0 | In hook-up dialing, however, the equipment allows repeated pressing with an acceptance sound, but inserts WAIT only for the first pressing. |
| 1 | 0 | 1 | |
| 1 | 1 | 0 | Each time the PAUSE key is pressed, the equipment detects a 2nd dial tone. If no 2nd dial tone is inputted within the specified time, the equipment disconnects the line in automatic dialing, or it starts transmitting the dial signal if given after depression of the PAUSE key in hook-up dialing. (In those countries where no dial tone detection function is supported, setting these selectors to "1, 1, 0" or "1, 1, 1" inserts a WAIT of 3.5 seconds.) |
| 1 | 1 | 1 | |

- **Selectors 4 through 6: Detection of international tone**

Upon detection of the 2nd dial tone for the time length specified by these selectors, the equipment starts dialing.

This setting is effective only when the 2nd dial tone detection function is activated by selectors 1 through 3 (Setting 1, 1, 0 or 1, 1, 1).

This function does not apply in those countries where no dial tone detection function is supported.

- **Selector 7: No. of dial tone detection times**

This selector sets the number of dial tone detection times required for starting dialing.

- **Selector 8: 2nd dial tone interrupt detecting time**

This selector sets the allowable time length of an interrupt which should not be interpreted as an interrupt in the 2nd tone dialing.

WSW07 (Dial tone setting 1)

| Selector No. | Function | Setting and Specifications |
|--------------|--|---|
| 1 2 | Frequency band range | No. 1 2 0 0 : Narrows by 10 Hz 0 1 : Initial value 1 X : Widens by 10 Hz |
| 3 | Line current detection | 0: No 1: Yes |
| 4 6 | 2nd dial tone detection level (Z = 600 Ω) | No. 4 5 6 0 0 0 : -21 dBm 0 0 1 : -24 dBm 0 1 0 : -27 dBm 0 1 1 : -30 dBm 1 0 0 : -33 dBm 1 0 1 : -36 dBm 1 1 0 : -39 dBm 1 1 1 : -42 dBm |
| 7 | 1st dial tone interrupt detecting time | 0: 30 ms 1: 50 ms |
| 8 | Not used. | |

NOTE: The WSW07 is not applicable in those countries where no dial tone or line current detection is supported, e.g., U.S.A.

- **Selectors 1 and 2: Frequency band range**

These selectors set the frequency band for the 1st dial tone and the busy tone (before dialing) to be detected.

This setting is effective only when selectors 1 through 3 of WSW05 are set to "1, 1, 1."

- **Selector 3: Line current detection**

This selector determines whether or not the equipment should detect a line current before starting dialing.

- **Selectors 4 through 6: 2nd dial tone detection level**

These selectors set the detection level of the 2nd dial tone.

- **Selector 7: 1st dial tone interrupt detecting time**

This selector sets the allowable time length of an interrupt which should not be interpreted as an interrupt in the 1st dial tone dialing.

WSW08 (Dial tone setting 2)

| Selector No. | Function | Setting and Specifications |
|--------------|---|---|
| 1 3 | 1st dial tone detection time length | No. 1 2 3 0 0 0 : 50 ms 0 0 1 : 210 ms 0 1 0 : 500 ms 0 1 1 : 800 ms 1 0 0 : 900 ms 1 0 1 : 1.5 sec. 1 1 0 : 2.0 sec. 1 1 1 : 2.5 sec. |
| 4 5 | Time-out length for 1st and 2nd dial tone detection | No. 4 5 0 0 : 10 sec. 0 1 : 20 sec. 1 0 : 6 sec. (in the U.S.A versions) 15 sec. (in other versions) 1 1 : 30 sec. |
| 6 8 | Detection level of 1st dial tone and busy tone before dialing | No. 6 7 8 0 0 0 : -21 dBm 0 0 1 : -24 dBm 0 1 0 : -27 dBm 0 1 1 : -30 dBm 1 0 0 : -33 dBm 1 0 1 : -36 dBm 1 1 0 : -39 dBm 1 1 1 : -42 dBm |

NOTE: The WSW08 is not applicable in those countries where no dial tone or line current detection is supported, e.g., U.S.A.

- **Selectors 1 through 3: 1st dial tone detection time length**

Upon detection of the 1st dial tone for the time length set by these selectors, the equipment starts dialing.

This setting is effective only when selectors 1 through 3 of WSW05 are set to "1, 1, 1."

- **Selectors 4 and 5: Time-out length for 1st and 2nd dial tone detection**

These selectors set the time-out length for the 1st and 2nd dial tone detection so that the equipment waits dial tone input for the specified time length and disconnects itself from the line when no dial tone is inputted.

WSW09 (Protocol definition 1)

| Selector No. | Function | Setting and Specifications |
|--------------|---|---|
| 1 | Frame length selection | 0: 256 octets 1: 64 octets |
| 2 | Use of non-standard commands | 0: Allowed 1: Prohibited |
| 3 4 | No. of retries | No. 3 4 0 0 : 4 times 0 1 : 3 times 1 0 : 2 times 1 1 : 1 time |
| 5 | T5 timer | 0: 300 sec. 1: 60 sec. |
| 6 | T1 timer | 0: 35 sec. 1: 40 sec. |
| 7 8 | Elapsed time for time-out control for no response from the called station in automatic sending mode | No. 7 8 0 0 : 50 sec. 0 1 : 70 sec. 1 0 : 90 sec. 1 1 : 35 sec. |

NOTE: Selectors 1 through 5 are not applicable in those models which do not support ECM.

- **Selector 1: Frame length selection**

Usually a single frame consists of 256 octets (1 octet = 8 bits). For communications lines with higher bit error rate, however, set selector 1 to "1" so that the facsimile equipment can divide a message into 64-octet frames.

Remarks: The error correction mode (ECM) is a facsimile transmission manner in which the equipment divides a message into frames for transmission so that if any data error occurs on the transmission line, the equipment retransmits only those frames containing the error data.

- **Selector 2: Use of non-standard commands**

If this selector is set to "0," the equipment may use non-standard commands (the machine's native-mode commands, e.g., NSF, NSC, and NSS) for communications. If it is set to "1," the equipment will use standard commands only.

- **Selectors 3 and 4: No. of retries**

These selectors set the number of retries in each specified modem transmission speed.

- **Selector 5: T5 timer**

This selector sets the time length for the T5 timer.

- **Selector 6: T1 timer**

This selector sets the time length for the T1 timer.

- **Selectors 7 and 8: Elapsed time for time-out control**

If the equipment receives no response (no G3 command) from the called terminal in automatic sending during the time set by these selectors, it disconnects the line.

WSW10 (Protocol definition 2)

| Selector No. | Function | Setting and Specifications |
|--------------|---|--|
| 1 | Switching of DPS, following the CML ON/OFF | 0: No 1: Yes |
| 2 | Time length from transmission of the last dial digit to CML ON | 0: 100 ms 1: 50 ms |
| 3 | Time length from CML ON to CNG transmission | 0: 2 sec. 1: 4 sec. |
| 4 | Time length from CML ON to CED transmission (except for facsimile-to-telephone switching) | 0: 0.5 sec. 1: 2 sec. |
| 5 6 | No. of training retries | No. 5 6 0 0 : 1 time 0 1 : 2 times 1 0 : 3 times 1 1 : 4 times |
| 7 8 | Not used. | |

- **Selector 1: Switching of DPS, following the CML ON/OFF**
Setting this selector to "1" automatically switches DPS following the CML ON/OFF operation. This function is provided to conform to the Swedish standard.
- **Selector 2: Time length from transmission of the last dial digit to CML ON**
This selector sets the time length from when the equipment transmits the last dial digit until the CML relay comes on.
- **Selector 3: Time length from CML ON to CNG transmission**
This selector sets the time length until the equipment transmits a CNG after it turns on the CML relay.
- **Selector 4: Time length from CML ON to CED transmission**
This selector sets the time length until the equipment transmits a CED after it turns on the CML relay. This setting does not apply to switching between facsimile and telephone.
- **Selectors 5 and 6: No. of training retries**
These selectors set the number of training retries to be repeated before automatic fallback.

WSW11 (Busy tone setting)

| Selector No. | Function | Setting and Specifications |
|--------------|--|---|
| 1 2 | Frequency band range | No. 1 2 0 0 : Narrows by 10 Hz 0 1 : Initial value 1 x : Widens by 10 Hz |
| 3 | Not used. | |
| 4 | ON/OFF time length ranges (More than one setting allowed) | 1: 400-600/400-600 ms |
| 5 | | 1: 175-440/175-440 ms |
| 6 | | 1: 700-800/700-800 ms |
| 7 | | 1: 110-410/320-550 ms |
| 8 | | 1: 100-660/100-660 ms |

NOTE: The WSW11 is not applicable in those countries where no busy tone detection is supported, e.g., U.S.A.

The setting of WSW11 is effective only when selectors 5 and 6 of WSW05 are set to "0, 1" or "1, 1" (Busy tone detection).

- **Selectors 1 and 2: Frequency band range**

These selectors set the frequency band for busy tone to be detected.

- **Selectors 4 through 8: ON/OFF time length ranges**

These selectors set the ON and OFF time length ranges for busy tone to be detected. If more than one selector is set to "1," the ranges become wider. For example, if selectors 4 and 5 are set to "1," the ON and OFF time length ranges are from 175 to 600 ms.

WSW12 (Signal detection condition setting)

| Selector No. | Function | Setting and Specifications |
|--------------|---|--|
| 1 2 | Min. OFF time length of calling signal (Ci) | No. 1 2 0 0 : 300 ms 0 1 : 500 ms 1 0 : 700 ms 1 1 : 900 ms |
| 3 4 | Max. OFF time length of calling signal (Ci) | No. 3 4 0 0 : 6 sec. 0 1 : 7 sec. 1 0 : 9 sec. 1 1 : 11 sec. |
| 5 6 | Detecting time setting | No. 5 6 0 0 : 800 ms (1000 ms*) 0 1 : 200 ms 1 0 : 250 ms 1 1 : 150 ms |
| 7 | Delay | 0: Yes 1: No |
| 8 | Not used. | |

* 1000 ms in Chinese or Hong Kong versions.

- **Selectors 1 through 4: Min. and max. OFF time length of calling signal (Ci)**

If the equipment detects the OFF state of calling signal (Ci) for a time length which is greater than the value set by selectors 1 and 2 and less than the value set by selectors 3 and 4, it interprets the Ci signal as OFF.

- **Selectors 5 and 6: Detecting time setting**

These selectors set the time length required to make the equipment acknowledge itself to be called. That is, if the equipment continuously detects calling signals with the frequency set by selectors 1 through 4 of WSW14 during the time length set by these selectors 5 and 6, it acknowledges the call.

- **Selector 7: Delay**

Setting this selector to "0" allows the equipment to insert a 900 ms WAIT after acknowledgement of the call until the equipment turns on the CML relay to start receiving operation.

WSW13 (Modem setting)

| Selector No. | Function | Setting and Specifications |
|--------------|------------------|--|
| 1 2 | Cable equalizer | No. 1 2 0 0 : 0 km 0 1 : 1.8 km 1 0 : 3.6 km 1 1 : 5.6 km |
| 3 4 | Reception level | No. 3 4 0 0 : -43 dBm 0 1 : -47 dBm 1 0 : -49 dBm 1 1 : -51 dBm |
| 5 8 | Modem attenuator | 0: 0 dB 1: 8 dB 0: 0 dB 1: 4 dB 0: 0 dB 1: 2 dB 0: 0 dB 1: 1 dB |

The modem should be adjusted according to the user's line conditions.

- **Selectors 1 and 2: Cable equalizer**

These selectors are used to improve the pass-band characteristics of analogue signals on a line. (Attenuation in the high-band frequency is greater than in the low-band frequency.)

Set these selectors according to the distance from the telephone switchboard to the facsimile equipment.

- **Selectors 3 and 4: Reception level**

These selectors set the optimum receive signal level.

- **Selectors 5 through 8: Modem attenuator**

These selectors are used to adjust the transmitting level of the modem when the reception level at the remote station is improper due to line loss. This function applies for G3 protocol signals.

Setting two or more selectors to "1" produces addition of attenuation assigned to each selector.

This setting will be limited if selector 8 of WSW23 is set to "0."

WSW14 (AUTO ANS facility setting)

| Selector No. | Function | Setting and Specifications |
|--------------|---|---|
| 1 2 | Frequency band selection (Lower limit) | No. 1 2 0 0 : 13 Hz 0 1 : 15 Hz 1 0 : 23 Hz 1 1 : 20 Hz |
| 3 4 | Frequency band selection (Upper limit) | No. 3 4 0 0 : 30 Hz 0 1 : 55 Hz 1 X : 70 Hz |
| 5 8 | No. of rings in AUTO ANS mode | No. 5 6 7 8 0 0 0 0 : Fixed to once 0 0 0 1 : Fixed to 2 times 0 0 1 0 : Fixed to 3 times 0 0 1 1 : Fixed to 4 times 0 1 0 0 : 1 to 2 times 0 1 0 1 : 1 to 3 times 0 1 1 0 : 1 to 4 times 0 1 1 1 : 1 to 5 times 1 0 0 0 : 2 to 3 times 1 0 0 1 : 2 to 4 times 1 0 1 0 : 2 to 5 times 1 0 1 1 : 2 to 6 times 1 1 0 0 : 1 to 10 times 1 1 0 1 : 2 to 10 times 1 1 1 0 : 3 to 5 times 1 1 1 1 : 4 to 10 times |

● **Selectors 1 through 4: Frequency band selection**

These selectors are used to select the frequency band of calling signals for activating the AUTO ANS facility.

● **Selectors 5 through 8: No. of rings in AUTO ANS mode**

These selectors set the number of rings to initiate the AUTO ANS facility.

WSW15 (REDIAL facility setting)

| Selector No. | Function | Setting and Specifications |
|--------------|------------------------------|--|
| 1 2 | Selection of redial interval | No. 1 2 0 0 : 5 minutes 0 1 : 1 minute 1 0 : 2 minutes 1 1 : 3 minutes |
| 3 6 | No. of redialings | No. 3 4 5 6 0 0 0 0 : 16 times 0 0 0 1 : 1 time 0 0 1 0 : 2 times 0 0 1 1 : 3 times 1 1 1 1 : 15 times |
| 7 8 | Not used. | |

- **Selectors 1 through 6: Selection of redial interval and No. of redialings**

The equipment redials by the number of times set by selectors 3 through 6 at intervals set by selectors 1 and 2.

WSW16 (Function setting 1)

| Selector No. | Function | Setting and Specifications | |
|--------------|-----------------------------------|---|----------------------------------|
| 1 | Not used. | | |
| 2 | CCITT superfine recommendation | 0: OFF | 1: ON |
| 3 | Remote reception | 0: Only from the connected external telephone | 1: From all telephones connected |
| 4 5 | Not used. | | |
| 6 | Exclusive line mode | 0: OFF | 1: ON |
| 7 | Max. document length limitation | 0: 400 cm | 1: 90 cm |
| 8 | STOP key pressed during reception | 0: Not functional | 1: Functional |

- **Selector 2: CCITT superfine recommendation**

If this selector is set to "1," the equipment communicates in CCITT recommended superfine mode (15.4 lines/mm). If it is set to "0," it communicates in native superfine mode.

- **Selector 3: Remote reception**

Setting this selector to "0" allows the facsimile equipment to receive data from the directly connected external telephone only. Setting it to "1" allows the equipment to receive data from all telephones sharing a modular wall socket with the equipment, as well as from the directly connected external telephone.

If any of the following problems occurs frequently, set this selector to "0":

- Dialing from any of the telephones sharing a modular wall socket starts the facsimile equipment.
- Picking up the handset for any telephones sharing a modular wall socket while the equipment is in receiving operation disrupts the received image due to the superimposed noise.

- **Selector 6: Exclusive line mode**

Setting this selector to "1" connects the equipment to the exclusive line, which enables transmission merely by pressing the key without dialing operation at both the calling and called terminals.

- **Selector 7: Max. document length limitation**

This selector is used to select the maximum length of a document to be sent.

- **Selector 8: STOP key pressed during reception**

If this selector is set to "1," pressing the STOP key can stop the current receiving operation. The received data will be lost.

WSW17 (Function setting 2)

| Selector No. | Function | Setting and Specifications |
|--------------|---|--|
| 1 2 | Off-hook alarm | No. 1 2 0 0 : No alarm 0 1 : Always valid 1 X : Valid except when 'call reservation' is selected. |
| 3 | Power failure report output | 0: ON 1: OFF |
| 4 | Calendar clock/prompt alternate display | 0: NO 1: YES |
| 5 | Calendar clock type | 0: U.S.A. type 1: European type |
| 6 | Error indication in activity report | 0: NO 1: YES |
| 7 | Non-ring reception | 0: OFF 1: ON |
| 8 | Not used. | |

- **Selectors 1 and 2: Off-hook alarm**

These selectors activate or deactivate the alarm function which sounds an alarm when the communication is completed with the handset being off the hook.

- **Selector 3: Power failure report output**

This selector determines whether or not the equipment outputs a power failure report when the power comes back on.

- **Selector 4: Calendar clock/prompt alternate display**

If this selector is set to "1," the calendar clock and the prompt "INSERT DOCUMENT" appear alternately on the LCD while the equipment is on standby; if it is set to "0," only the calendar clock appears.

- **Selector 5: Calendar clock type**

If this selector is set to "0" (U.S.A.), the MM/DD/YY hh:mm format applies; if it is set to "1" (Europe), the DD/MM/YY hh:mm format applies: DD is the day, MM is the month, YY is the last two digits of the year, hh is the hour, and mm is the minute.

- **Selector 6: Error indication in activity report**

This selector determines whether or not a communications error code will be printed in the activity report.

- **Selector 7: Non-ring reception**

Setting this selector to "1" makes the equipment receive calls without ringer sound if the ring delay is set to 0.

WSW18 (Function setting 3)

| Selector No. | Function | Setting and Specifications |
|--------------|--|--|
| 1 | CCD manufacturer setting | Fixed to 1. |
| 2 3 | Detection enabled time for CNG and no tone | No. 2 3 0 0 : 40 sec. 0 1 : 0 sec. (No detection) 1 0 : 5 sec. 1 1 : 80 sec. |
| 4 5 | Not used. | |
| 6 | Registration of station ID | 0: Permitted 1: Prohibited |
| 7 8 | Tone sound monitoring | No. 7 8 0 X : No monitoring 1 0 : Up to phase B at the calling station only 1 1 : All transmission phases both at the calling and called stations |

- **Selector 1: CCD manufacturer setting**

Reserved for future variation of CCD.

- **Selectors 2 and 3: Detection enabled time for CNG and no tone**

After the line is connected via the external telephone, the equipment can detect a CNG signal or no tone for the time length specified by these selectors. The setting specified by these selectors becomes effective only when selector 8 of WSW20 is set to "1."

- **Selector 6: Registration of station ID**

Setting this selector to "0" permits the registration of station ID for Austrian and Czecho versions.

- **Selectors 7 and 8: Tone sound monitoring**

These selectors sets monitoring specifications of the tone sound inputted from the line.

WSW19 (Transmission speed setting)

| Selector No. | Function | Setting and Specifications |
|--------------|--|--|
| 1 3 | First transmission speed choice for fallback | No. 1 2 3 No. 4 5 6 0 0 0 : 2,400 bps 0 0 1 : 4,800 bps 0 1 0 : 7,200 bps 0 1 1 : 9,600 bps 1 0 0 : 12,000 bps * 1 0 1 : } 1 1 0 : } 14,400 bps * 1 1 1 : } |
| 4 6 | Last transmission speed choice for fallback | |
| 7 | Not used. | |
| 8 | V. 17 mode | 0: Permitted 1: Prohibited |

* In those models with a maximum of 9600 bps capability, selection of 12,000 bps or 14,400 bps will still only produce a set speed automatically reduced to 9600 bps.

● **Selectors 1 through 6: First and last choices of transmission speed for fallback**

These selectors are used to set the MODEM speed range. With the first transmission speed choice specified by selectors 1 through 3, the equipment attempts to synchronize the data transmission via the MODEM. If the synchronization fails, the equipment automatically steps down to the next lowest speed and attempts to synchronize the data transmission again. The equipment repeats this sequence while stepping down the transmission speed to the last choice specified by selectors 4 through 6.

If the MODEM always falls back to a low transmission speed (e.g., 4,800 bps), set the first transmission speed choice to the lower one (e.g., modify it from 12,000 bps to 7,200 bps) in order to deactivate the high-speed MODEM function and reduce the training time for shorter transmission time.

Generally, to save the transmission time, set the last transmission speed choice to a higher one.

WSW20 (Overseas communications mode setting)

| Selector No. | Function | Setting and Specifications |
|--------------|--|---|
| 1 | EP* tone prefix | 0: OFF 1: ON |
| 2 | Overseas communications mode (Reception) | 0: 2100 Hz 1: 1100 Hz |
| 3 | Overseas communications mode (Transmission) | 0: OFF 1: Ignores DIS once. |
| 4 5 | Min. time length from reception of CFR to start of transmission of video signals | No. 4 5 0 0 : 100 ms 0 1 : 200 ms 1 0 : 300 ms 1 1 : 400 ms |
| 6 7 | Chattering elimination for CNG detection | No. 6 7 0 0 : A (During CNG ON and OFF) 0 1 : B (During CNG OFF only) 1 X : C (No elimination) |
| 8 | CNG detection on/off | 0: OFF 1: ON |

* EP: Echo protection

- **Selector 1: EP tone prefix**

Setting this selector to "1" makes the equipment transmit a 1700 Hz echo protection (EP) tone immediately preceding training in V.29 modulation system to prevent omission of training signals.

Prefixing an EP tone is effective when the equipment fails to transmit at the V.29 modem speed and always has to fall back to 4800 bps transmission.

- **Selectors 2 and 3: Overseas communications mode**

These selectors should be used if the facsimile equipment malfunctions in overseas communications. According to the communications error state, select the signal specifications.

Setting selector 2 to "1" allows the equipment to use 1100 Hz CED signal instead of 2100 Hz in receiving operation. This prevents malfunctions resulting from echoes, since the 1100 Hz signal does not disable the echo suppressor (ES) while the 2100 Hz signal does.

Setting selector 3 to "1" allows the equipment to ignore a DIS signal sent from the called station once in sending operation. This operation suppresses echoes since the first DIS signal immediately follows a 2100 Hz CED (which disables the ES) so that it is likely to be affected by echoes in the disabled ES state. However, such a disabled ES state will be removed soon so that the second and the following DIS signals are not susceptible to data distortion due to echoes. Note that some models when called may cause error by receiving a self-outputted DIS.

- **Selector 8: CNG detection on/off**

If this selector is set to "1," the equipment detects a CNG signal according to the condition preset by selectors 2 and 4 of WSW18 after a line is connected. If it is set to "0," the equipment detects a CNG signal as long as a line is connected.

WSW21 (TAD setting 1)

| Selector No. | Function | Setting and Specifications |
|--------------|--|--|
| 1 5 | Max. waiting time for voice signal | No. 1 2 3 4 5 0 0 0 0 0 : No detection 0 0 0 0 1 : 1 sec. 0 0 0 1 0 : 2 sec. 0 0 0 1 1 : 3 sec. 0 1 0 0 0 : 8 sec. 1 1 1 1 1 : 31 sec. |
| 6 7 | Two-way recording | No. 6 7 0 0 : For U.S.A. (A) 0 1 : Except for U.S.A. (B) 1 0 : Without beep (C) 1 1 : OFF (D) |
| 8 | Erasure of message stored in the memory after the message transfer | 0: YES 1: NO |

- **Selectors 1 through 5: Max. waiting time for voice signal**

In the TAD mode, the equipment waits for voice signal for the time length specified by these selectors before it automatically shifts to the facsimile message receive mode or disconnects the line.

- **Selectors 6 and 7: Two-way recording (For those models equipped with a built-in TAD)**

These selectors select the specifications of the two-way recording feature.

- **Selector 8: Erasure of message (For those models equipped with a built-in TAD)**

Setting this selector to "0" will erase the message recorded in the memory after the document retrieval feature transfers the message.

WSW22 (Copy resolution setting)

| Selector No. | Function | Setting and Specifications |
|--------------|-----------------|----------------------------|
| 1 3 | Not used. | |
| 4 | Copy resolution | 0: Fine 1: Superfine |
| 5 8 | Not used. | |

- **Selector 4: Copy resolution**

This selector determines whether the resolution for multi-copy should be Fine or Superfine.

WSW23 (Communications setting)

| Selector No. | Function | Setting and Specifications |
|--------------|--|--|
| 1 | Starting point of training check (TCF) | 0: From the head of a series of zeros 1: From any arbitrary point |
| 2 3 | Allowable training error rate | No. 2 3 0 0 : 0% 0 1 : 0.5% 1 0 : 1% 1 1 : 2% |
| 4 5 | | Decoding error rate for transmission of RTN |
| 6 | Issue of RTN at the occurrence of a pagination error | |
| 7 | Not used. | |
| 8 | Limitation of attenuation level | 0: YES 1: NO |

- **Selector 1: Starting point of training check (TCF)**

At the training phase of receiving operation, the called station detects for 1.0 second a training check (TCF) command, a series of zeros which is sent from the calling station for 1.5 seconds to verify training and give the first indication of the acceptability of the line.

This selector sets the starting point from which the called station should start counting those zeros. If this selector is set to "0," the called station starts counting zeros 100 ms after the head of a series of zeros is detected.

If it is set to "1," the called station starts counting zeros upon detection of 10-ms successive zeros 50 ms after the head of a series of zeros is detected. In this case, if the detection of 10-ms successive zeros is too late, the data counting period will become less than 1.0 second, making the called station judge the line condition unacceptable.

- **Selectors 2 and 3: Allowable training error rate**

The called station checks a series of zeros gathered in training (as described in Selector 1) according to the allowable training error rate set by these selectors. If the called station judges the line condition to be accepted, it responds with CFR; if not, it responds with FTT.

- **Selectors 4 and 5: Decoding error rate for transmission of RTN**

The facsimile equipment checks the actual decoding errors and then transmits an RTN according to the decoding error rate (Number of lines containing an error per page ÷ Total number of lines per page) set by these selectors.

- **Selector 6: Issue of RTN at the occurrence of a pagination error**

If this selector is set to "0," the facsimile equipment transmits an RTN when a pagination error occurs due to recording lag relative to receiving.

- **Selector 8: Limitation of attenuation level**

Setting this selector to "0" limits the transmitting level of the modem to 10 dB.

This setting has priority over the settings selected by WSW02 (selectors 5 through 8) and WSW13 (selectors 5 through 8).

WSW24 (TAD setting 2)

| Selector No. | Function | Setting and Specifications |
|--------------|--|--|
| 1 2 | Maximum OGM recording time | No. 1 2 0 0 : 15 sec. 0 1 : 20 sec. 1 0 : 30 sec. 1 1 : 50 sec. |
| 3 4 | Time length from CML ON to start of pseud ring backtone transmission | No. 3 4 0 0 : 4 sec. 0 1 : 3 sec. 1 0 : 2 sec. 1 1 : 1 sec. |
| 5 8 | Attenuator for playback of ICM/OGM to the line (Selectable from the range of 0-15 dB) | 0: 0 dB 1: 8 dB 0: 0 dB 1: 4 dB 0: 0 dB 1: 2 dB 0: 0 dB 1: 1 dB |

- **Selectors 1 and 2: Maximum OGM recording time (For those models equipped with a built-in TAD)**

These selectors set the allowable maximum recording time for an OGM.

- **Selectors 3 and 4: Time length from CML ON to start of pseud ring backtone transmission**

These selectors set the length of time from CML-ON up to the start of pseud ring backtone transmission.

In those versions which have an OGM facility instead of pseud ring backtone, these selectors set the length of time from CML-ON up to the start of OGM transmission.

- **Selectors 5 through 8: Attenuator for playback of ICM/OGM to the line (For those models equipped with a built-in TAD)**

Setting two or more selectors to "1" produces addition of attenuation assigned to each selector.

This setting will not be limited by selector 8 of WSW23.

WSW25 (TAD setting 3)

| Selector No. | Function | Setting and Specifications |
|--------------|---|---|
| 1 4 | Not used. | |
| 5 7 | Pause between paging number and PIN | No. 5 6 7 0 0 0 : 2 sec. 0 0 1 : 4 sec. 0 1 0 : 6 sec. 0 1 1 : 8 sec. 1 0 0 : 10 sec. 1 0 1 : 12 sec. 1 1 0 : 14 sec. 1 1 1 : 16 sec. |
| 8 | Automatic shift to facsimile message receive mode in ICM recording mode | 0: YES 1: NO |

- **Selectors 5 and 7: Pause between paging number and PIN (For those models equipped with a built-in TAD)**

These selectors set the pause time between a telephone number being paged and PIN (private identification number) for the paging feature.

- **Selector 8: Automatic shift to facsimile message receive mode in ICM recording mode (For those models equipped with a built-in TAD)**

If this selector is set to "0," the equipment automatically shifts to the facsimile message receive mode after recording an ICM. If it is set to "1," the equipment automatically disconnects the line after the waiting time has passed.

WSW26 (Function setting 4)

| Selector No. | Function | Setting and Specifications |
|--------------|--|--|
| 1 | Application of DC wetting pulse | 0: OFF 1: ON |
| 2 | Overvoltage limiter at the applying time of a wetting pulse | 0: ON 1: OFF |
| 3 | Not used. | |
| 4 5 | No. of CNG cycles to be detected (when the line is connected via the external telephone except in the external TAD mode) | No. 4 5 0 0 : No detection (A) 0 1 : 1 (B) 1 0 : 1.5 (C) 1 1 : 2 (D) |
| 6 7 | No. of CNG cycles to be detected (when the line is connected via the external telephone in the external TAD mode or via the facsimile equipment in F/T mode) | No. 6 7 0 0 : 0.5 (A) 0 1 : 1 (B) 1 0 : 1.5 (C) 1 1 : 2 (D) |
| 8 | FAX reception after the time-out of pseudo ring backtones in F/T mode | 0: YES 1: NO |

- **Selectors 1 and 2: Application of DC wetting pulse and overvoltage limiter**

These selectors take effect only when the UK version of the facsimile equipment is set up for the British Telecom's caller ID service or its equivalent.

Selector 2 takes effect only when selector 1 is set to "1."

- **Selectors 4 and 5: No. of CNG cycles to be detected**

The equipment interprets a CNG as an effective signal if it detects a CNG signal by the number of cycles specified by these selectors when the line is connected via the external telephone except in the external TAD mode.

- **Selectors 6 and 7: No. of CNG cycles to be detected (For those models not equipped with a built-in TAD)**

The equipment interprets a CNG as an effective signal if it detects a CNG signal by the number of cycles specified by these selectors when the line is connected via the external telephone in the external TAD mode or via the facsimile equipment in F/T mode.

- **Selector 8: FAX reception after the time-out of pseudo ring backtones in F/T mode**

If this selector is set to "0," the equipment enters the facsimile receive mode after issuing pseudo ring backtones. If it is set to "1," the equipment disconnects the line after issuing pseudo ring backtones.

WSW27 (Function setting 5)

| Selector No. | Function | Setting and Specifications |
|--------------|--|----------------------------|
| 1 | Not used. | |
| 2 | Ringer OFF setting | 0: YES 1: NO |
| 3 | Automatic playback of OGM at the start time of OGM ON mode | 0: NO 1: YES |
| 4 | Detection of distinctive ringing pattern | 0: NO 1: YES |
| 5 | Automatic erasure of voice alarm | 0: YES 1: NO |
| 6 8 | Not used. | |

- **Selector 2: Ringer OFF setting**

This selector determines whether or not the ringer can be set to OFF.

- **Selector 3: Automatic playback of OGM at the start time of OGM ON mode (For those models equipped with a built-in TAD)**

This selector determines whether or not the equipment automatically plays back an OGM the moment it switches to the OGM ON mode in the MC mode.

- **Selector 4: Detection of distinctive ringing pattern**

If this selector is set to "0," the equipment detects only the number of rings; if it is set to "1," the equipment detects the number of rings and the ringing time length to compare the detected ringing pattern with the registered distinctive one.

- **Selector 5: Automatic erasure of voice alarm**

This selector determines whether or not the voice alarm should be erased from the memory after it is issued.

WSW28 (Function setting 6)

| Selector No. | Function | Setting and Specifications |
|--------------|---|---|
| 1 3 | Transmission level of DTMF high-band frequency signal | No. 1 2 3 0 0 0 : 0 dB 0 0 1 : +1 dB 0 1 0 : +2 dB 0 1 1 : +3 dB 1 0 0 : 0 dB 1 0 1 : -1 dB 1 1 0 : -2 dB 1 1 1 : -3 dB |
| 4 6 | Transmission level of DTMF low-band frequency signal | No. 4 5 6 0 0 0 : 0 dB 0 0 1 : +1 dB 0 1 0 : +2 dB 0 1 1 : +3 dB 1 0 0 : 0 dB 1 0 1 : -1 dB 1 1 0 : -2 dB 1 1 1 : -3 dB |
| 7 8 | Not used. | |

● **Selectors 1 through 6: Transmission level of DTMF high-/low-band frequency signal**

These selectors are intended for the manufacturer who tests the equipment for the Standard. Never access them.

WSW29 (Function setting 7)

| Selector No. | Function | Setting and Specifications |
|--------------|--|---|
| 1 3 | Compression threshold level for voice signals inputted via the network in the built-in TAD operation | No. 1 2 3 0 0 0 : -47.0 dBm (A) 0 0 1 : -48.5 dBm (B) 0 1 0 : -50.0 dBm (C) 0 1 1 : -51.5 dBm (D) 1 0 0 : -53.0 dBm (E) 1 0 1 : -54.5 dBm (F) 1 1 0 : -56.0 dBm (G) 1 1 1 : OFF (H) |
| 4 6 | Compression threshold level for voice signals inputted via the handset in the built-in TAD operation | No. 4 5 6 0 0 0 : -44.0 dBm (A) 0 0 1 : -45.5 dBm (B) 0 1 0 : -47.0 dBm (C) 0 1 1 : -48.5 dBm (D) 1 0 0 : -50.0 dBm (E) 1 0 1 : -51.5 dBm (F) 1 1 0 : -53.0 dBm (G) 1 1 1 : OFF (H) |
| 7 | Automatic dialing by caller IDs stored in the memory | 0: Yes 1: No |
| 8 | Not used. | |

- **Selectors 1 through 6: Compression threshold level for signals inputted via the network/handset in the built-in TAD operation (For those models equipped with a built-in TAD)**

If voice signals inputted via the network or handset are below the level specified by these selectors, the TAD interprets those received voice signals as no signal, compressing the recording time.

- **Selector 7: Automatic dialing by caller IDs stored in the memory (For those models equipped with a built-in TAD)**

This selector determines whether or not the automatic dialing function by caller IDs stored in the memory (see the Note below) can be accessed.

If it is set to "0," caller IDs stored in the memory can be called up on the LCD by the user function 6-7 and then pressing the **Start** key when the desired caller ID is displayed dials the caller automatically.

(Note: The equipment can store a maximum of the latest 30 incoming caller IDs together with the reception date and time in the memory.)

WSW30 (Function setting 8)

| Selector No. | Function | Setting and Specifications |
|--------------|--|---|
| 1 3 | Detection level of dial tone or busy tone for the built-in TAD operation | No. 1 2 3 0 0 0 : -38.0 dBm (A) 0 0 1 : -39.5 dBm (B) 0 1 0 : -41.0 dBm (C) 0 1 1 : -42.5 dBm (D) 1 0 0 : -44.0 dBm (E) 1 0 1 : -45.5 dBm (F) 1 1 0 : -47.0 dBm (G) 1 1 1 : -48.5 dBm (H) |
| 4 | Not used. | |
| 5 | Speaker output level | 0: Higher 1: Lower |
| 6 | Not used. | |
| 7 8 | Recording intensity control | No. 7 8 0 0 : A 0 1 : B 1 0 : C 1 1 : D |

- **Selectors 1 through 3: Detection level of dial tone or busy tone for built-in TAD operation (For those models equipped with a built-in TAD)**

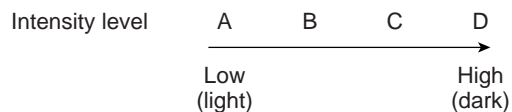
If dial tone or busy tone inputted during ICM recording is below the level specified by these selectors, the TAD stops recording and disconnects the line.

- **Selector 5: Speaker output level (For those models equipped with a built-in TAD)**

This selector determines the speaker output level when the speaker volume switch is set to HIGH or LOW, as listed below.

| Selector 5 of WSW30 Speaker Volume Switch Position | 0 (Higher) | 1 (Lower) |
|---|---------------|--------------|
| HIGH | High | Medium-High |
| LOW | Medium-Low | Low |

- **Selectors 7 and 8: Recording intensity control**



WSW31 (Function setting 9)

| Selector No. | Function | Setting and Specifications |
|--------------|--|----------------------------|
| 1 | Not used. | |
| 2 | Default reduction rate for failure of automatic reduction during recording | 0: 100% 1: 50% |
| 3 4 | Not used. | |
| 5 | Minimum short-OFF duration in distinctive ringing | 0: 130 ms 1: 90 ms |
| 6 8 | Not used. | |

- **Selector 2: Default reduction rate for failure of automatic reduction during recording**

This selector sets the default reduction rate to be applied if the automatic reduction function fails to record one-page data sent from the calling station in a single page of the current recording paper.

If it is set to "0," the equipment records one-page data at full size (100%) without reduction; if it is set to "1," the equipment records it at half size (50%).

- **Selector 5: Minimum short-OFF duration in distinctive ringing**

The ringer pattern consists of short and long rings, e.g., short-short-long rings. This selector sets the minimum OFF duration following a short ring in order to avoid missing ringer tones in distinctive ringing.

If this selector is set to "1," when the short-OFF duration is a minimum of 90 ms long, then the equipment will interpret the short-OFF as OFF.

WSW32 (Function setting 10)

| Selector No. | Function | Setting and Specifications |
|--------------|--------------------|--|
| 1 4 | Not used. | |
| 5 6 | Default resolution | No. 5 6 0 0 : Standard 0 1 : Fine 1 0 : Super fine 1 1 : Photo |
| 7 8 | Default contrast | No. 7 8 0 X : Automatic 1 0 : Super light 1 1 : Super dark |

- **Selectors 5 and 6: Default resolution**

These selectors set the default resolution which applies when the equipment is powered up or completes a transaction.

- **Selectors 7 and 8: Default contrast**

These selectors set the default contrast which applies when the equipment is powered up or completes a transaction.

WSW33 (Function setting 11)

| Selector No. | Function | Setting and Specifications |
|--------------|--|---|
| 1 3 | Detection threshold level for voice signals inputted via the network in the built-in TAD operation | No. 1 2 3 0 0 0 : -42.5 dBm (A) 0 0 1 : -44.0 dBm (B) 0 1 0 : -45.5 dBm (C) 0 1 1 : -47.0 dBm (D) 1 0 0 : -48.5 dBm (E) 1 0 1 : -50.0 dBm (F) 1 1 0 : -51.5 dBm (G) 1 1 1 : -53.0 dBm (H) |
| 4 5 | First communications speed choice for PCI | No. 4 5 0 0 : 14,400 bps 0 1 : 12,000 bps 1 0 : 9,600 bps 1 1 : 7,200 bps |
| 6 | Report output of polled transmission requests | 0: YES 1: NO |
| 7 8 | Comfortable noise level | No. 7 8 0 0 : OFF 0 1 : Low (A) 1 0 : Medium (B) 1 1 : High (C) |

NOTE: The WSW33 is applicable to those models equipped with a built-in TAD.

- **Selectors 1 through 3: Detection threshold level for voice signals inputted via the network in the built-in TAD operation**

If the equipment detects voice signals exceeding the threshold level set by these selectors, it will interpret them as effective voice.

- **Selectors 4 and 5: First communications speed choice for PCI (For those models equipped with a built-in TAD)**

These selectors are used to set the first communications speed choice with which the equipment attempts to synchronize the data transmission via the PC interface. If the synchronization fails, the equipment automatically steps down to the next lowest speed.

- **Selector 6: Report output of polled transmission requests**

This function does not apply in the U.S.A. versions.

- **Selectors 7 and 8: Comfortable noise level**

These selectors set the level of noise to be added during playing-back of voice signals recorded with no-signal compression.

If they are set to "0, 0," no noise will be added.

WSW34 (Function setting 12)

| Selector No. | Function | Setting and Specifications |
|--------------|---|---|
| 1 3 | Erasing time length of ICM tone recorded preceding the tone detection starting point in the case of automatic line disconnection due to no voice signal received | No. 1 2 3 0 0 0 : 0 sec. 0 0 1 : 1 sec. 0 1 0 : 2 sec. 0 1 1 : 3 sec. 1 0 0 : 4 sec. 1 0 1 : 5 sec. 1 1 0 : 6 sec. 1 1 1 : 7 sec. |
| 4 5 | No. of CNG cycles to be detected (when the line is connected via the external telephone in the external TAD mode or via the facsimile equipment in F/T or TAD mode) | No. 4 5 0 0 : 0.5 (A) 0 1 : 1 (B) 1 0 : 1.5 (C) 1 1 : 2 (D) |
| 6 7 | Number of DTMF tone signals for inhibiting the detection of CNG during external TAD operation | No. 6 7 0 0 : 3 0 1 : 2 1 0 : 1 1 1 : OFF |
| 8 | CNG detection when the external telephone is connected with a line in TAD mode | 0: Only when the equipment detects itself being called 1: Always |

- **Selectors 1 through 3: Erasing time length of ICM tone recorded preceding the tone detection starting point in the case of automatic line disconnection due to no voice signal received**

If the equipment has disconnected the line after detection of disconnection tone in ICM recording, it erases tone recorded preceding the tone detection starting point for the time length set by these selectors.

- **Selectors 4 and 5: No. of CNG cycles to be detected (For those models equipped with a built-in TAD)**

The equipment interprets a CNG as an effective signal if it detects a CNG signal by the number of cycles specified by these selectors in any of the following cases:

- when the line is connected via the external telephone in the external TAD mode.
- when the line is connected via the facsimile equipment in F/T or TAD mode.

- **Selectors 6 and 7: Number of DTMF tone signals for inhibiting the detection of CNG during external TAD operation**

If the equipment receives this specified number of DTMF tone signals during external TAD operation, it will not detect CNG afterwards.

If these selectors are set to "1, 1," the CNG detection will not be inhibited.

- **Selector 8: CNG detection when the external telephone is connected with a line in TAD mode**

If this selector is set to "0," the equipment will detect a CNG signal only when it detects itself being called. If the external telephone is connected with a line before the equipment detects itself being called, the equipment will no longer detect a CNG signal.

If this selector is set to "1," the equipment will detect a CNG signal every time the external telephone is connected with a line, even without detecting itself being called.

[B] Printout of firmware switch data

■ Function

The equipment prints out the setting items and contents specified by the firmware switches.

■ Operating Procedure

- (1) Press the 1 key twice in the initial maintenance mode.
The "PRINTING" will appear on the LCD.
- (2) The equipment prints out the configuration list as shown in the figure below.
- (3) Upon completion of printing, the equipment returns to the initial maintenance mode.

CONFIGURATION LIST

| | |
|--|-------------------------|
| | MODEL: 5X4-305/303 |
| | TIME : 12/23/1996 18:30 |
| | REV. : UG2397001 VER.0 |
| | PCI : 2.00 |
| | SUM : C647 |

```

WSW01 = 00000000
1-2. DIAL FORMAT           : NORMAL
3-4. BREAK TIME           : 60 MS
5-6. INTERDIGIT PAUSE     : 800 MS
7. DP/PB CHANGE IN USER SW : YES
8. DP/PB FIXING SELECTION  : PB
WSW02 = 11111010
1-2. ON TIME              : 100 MS
3-4. OFF TIME             : 140 MS
5-8. LINE BEEP ATTENUATOR : 10 DB
WSW03 = 10000000
1. PARA. CNG DETECTION1   : B
2-4. NOT USED
5. PARA. CNG DETECTION2   : A
6-8. NOT USED
WSW04 = 00010101
1-8. NOT USED
WSW05 = 00000010
1-3. DIAL TONE DETECTION  : 3.5 SEC WAITING
4. REMOTE ID DETECTION TIMEOUT : 2 SEC
5-8. NOT USED
WSW06 = 00101100
1-3. PAUSE KEY            : 3.5 SEC WAITING
4-8. NOT USED
WSW07 = 01001100
1-8. NOT USED
WSW08 = 01100100
1-8. NOT USED
WSW09 = 00000000
1. ECH FRAME              : 256 OCTET
2. NON STANDARD FACILITIES : ON
3-4. TIMES OF FALL BACK   : 4
5. T5 TIMER               : 300 SEC
6. T1 TIMER               : 35 SEC
7-8. CALLING TIMEOUT      : 50 SEC
WSW10 = 00010100
1. DPS LINK WITH CML      : NO
2. TIMING OF LAST DIGIT-MODEM CHANGE : 100 MS
3. TIMING OF CML ON CNG TRANSMISSION : 2 SEC
4. TIMING OF CML ON CED TRANSMISSION : 2 SEC
5-6. TRAINING RETRIES    : 2
7-8. NOT USED
WSW11 = 01011000
1-8. NOT USED
WSW12 = 10011010
1-2. OFF DETECTION TIME   : 700 MS
3-4. AUTO ANS OFF DETECTION TIME : 7 SEC
5-6. ON DETECTION TIME    : 250 MS
7. DELAY                  : OFF
8. NOT USED

WSW22 = 00000000
1-3. NOT USED
4. COPY RESOLUTION       : FINE
5-8. NOT USED
WSW23 = 00001110
1. FIX TCF CHECK         : TOP
2-3. TCF ERROR LIMIT    : 0%
4-5. RTN CRITERION      : 14%
6. RTN ON UNSYNC. RECEIVE : NO
7. NOT USED
8. ATTENUATOR LIMIT     : ON
WSW24 = 01001011
1-2. NOT USED
3-4. DELAY OF CML ON-OGM : 4 SEC
5-8. NOT USED

8. EXT.CNG DETECT       : CALLED SIDE ONLY
WSW35 = 00000000
1-8. NOT USED

```

-305/303
12/23/1996 18:31
397001 VER.0
}
18:31
VER.0

Configuration List

3.6 Operational Check of Control Panel PCB

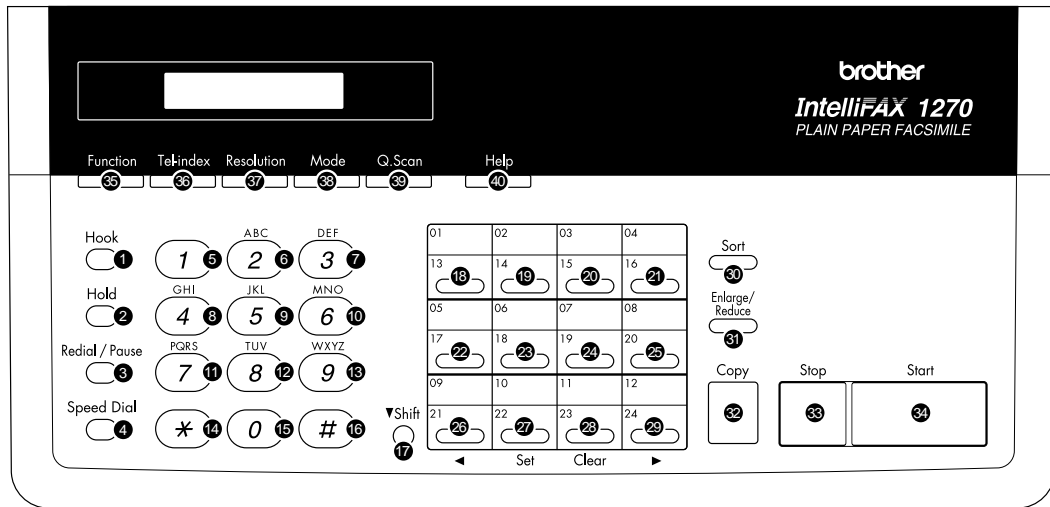
■ Function

This function checks the control panel PCB for normal operation.

■ Operating Procedure

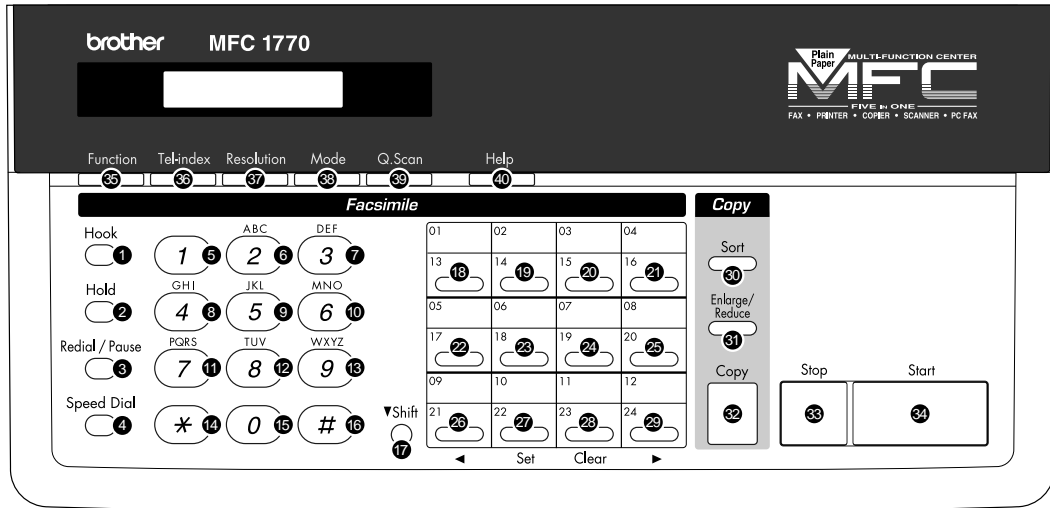
- (1) Press the **1** and **3** keys in this order in the initial maintenance mode.
The "00 " will appear on the LCD.
- (2) Press the keys and buttons in the order designated in the illustration shown below.
The LCD shows the corresponding number in decimal notation each time a key or button is pressed. Check that the displayed number is correct by referring to the illustration below.
If a key or button is pressed out of order, the equipment beeps and displays the "INVALID OPERATE" on the LCD. To return to the status ready to accept key & button entry for operational check, press the **Stop** key.
- (3) After the last number key or button is pressed, the equipment beeps and returns to the initial maintenance mode.
To terminate this operation, press the **Stop** key. The equipment returns to the initial maintenance mode.

FAX1170/1270/1010/1020

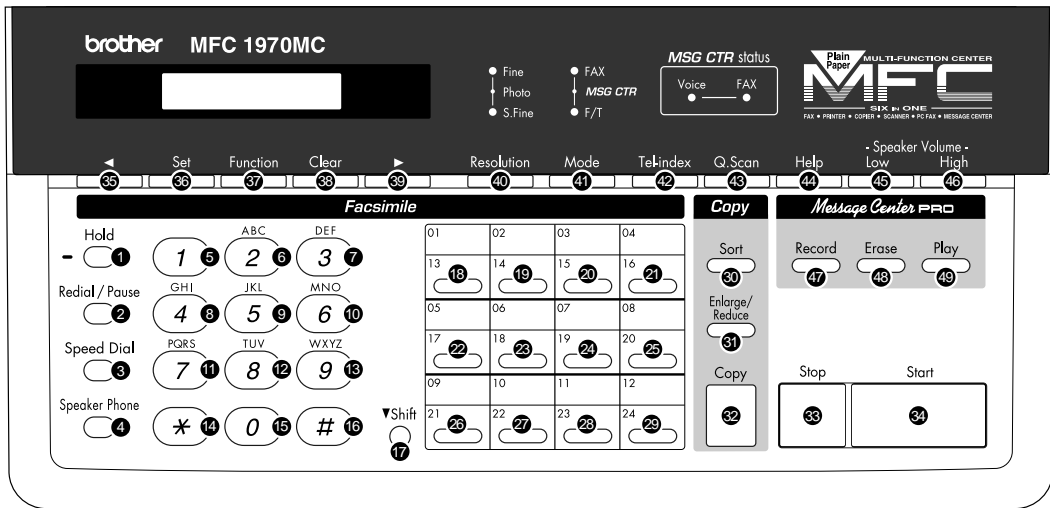


Key & Button Entry Order (1)

MFC1770



FAX1570MC/1030/MFC1870MC/1970MC



Key & Button Entry Order (2)

3.7 Sensor Operational Check

■ Function

This function allows you to check that the seven sensors (document front sensor, document rear sensor, cover sensor, paper ejection sensor, paper-edge sensor, ribbon sensor, and hook switch sensor*) operate correctly.

(* In the FAX1010 and those versions equipped with a Binatone handset, the hook switch sensor serves no function.)

In the FAX1010 and those versions equipped with a Binatone handset, the LCD shows the "FRERCJMPHRX 1" when

In this area a numeral appears, indicating the number of communications records printed out at the factory for testing.

- the document front and rear sensors detect no paper (FRE),
- the recording paper cover ASSY is closed (RC),
- the paper ejection sensor detects no paper jam (JM),
- the paper-edge sensor detects paper loaded and the paper front cover is closed (PH), and
- the ribbon sensor detects the ribbon cartridge loaded (RX).

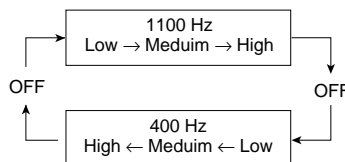
In other models, the LCD shows the "FRERCJMPHRXHK 1" when

- the document front and rear sensors detect no paper (FRE),
- the recording paper cover ASSY is closed (RC),
- the paper ejection sensor detects no paper jam (JM),
- the paper-edge sensor detects paper loaded and the paper front cover is closed (PH),
- the ribbon sensor detects the ribbon cartridge loaded (RX), and
- the hook switch sensor detects the on-hook state (HK).

In this area a numeral appears, indicating the number of communications records printed out at the factory for testing.

■ Operating Procedure

- (1) Press the **3** and **2** keys in this order in the initial maintenance mode. The equipment sounds 1100 Hz and 400 Hz tones cyclically through the following volumes for testing the speaker:



In the FAX1010 and those versions equipped with a Binatone handset, the LCD shows the "FRERCJMPHRX 1" if the detecting conditions of the six sensors are as defined above.

In other models, the LCD shows the "FRERCJMPHRXHK 1" if the detecting conditions of the seven sensors are as defined above.

- (2) Change the detecting conditions and check that the indication on the LCD changes as follows:
 - Insert a document through the document front sensor, and the "F" of the FRE disappears.
 - Insert a document through the document rear sensor, and the "E" of the FRE disappears.
 - Open the recording paper cover ASSY, and the "RC" disappears.
 - Jam paper at the paper outlet, and the "JM" disappears.
 - Remove paper or open the paper front cover, and the "PH" disappears.
 - Remove the ribbon cartridge, and the "RX" disappears.
 - Lift up the handset, and the "HK" disappears. (Except for the FAX1010 and those versions equipped with a Binatone handset.)
- (3) To stop this operation, press the Stop key. The equipment beeps for one second and returns to the initial maintenance mode.

3.8 CIS Scanner Area Setting

■ Function

The equipment sets the CIS scanner area and stores it into the E²PROM. This setting operation requires the "adjusting sheet A" to be used.

■ Operating Procedure

- (1) In the initial maintenance mode, set the "adjusting sheet A" on the document stacker.
- (2) Press the 5 key twice.

The "SCANNER AREA SET" will appear on the LCD.

The equipment checks and sets the area to be scanned.

If no error is noted, the equipment returns to the initial maintenance mode.

If any error is noted, the "SCANNER ERROR" will appear on the LCD. To return the equipment to the initial maintenance mode, press the Stop key.

3.9 Equipment Error Code Indication

■ Function

This function displays an error code of the last error on the LCD.

■ Operating Procedure

- (1) Press the 8 and 2 keys in this order in the initial maintenance mode.

The LCD shows the "MACHINE ERROR_ _" (for 2-digit error code indication) or "MACHINE ERR _ _ _ _" (for 4-digit error code indication).
- (2) To stop this operation and return the equipment to the initial maintenance mode, press the Stop key.

3.10 Document Draw Adjustment

After replacement of the main PCB or CIS, or if data stored in the E²PROM is damaged, you need to carry out this procedure by using the TC-027 chart.

■ Function

This function adjusts how much the document is drawn in, starting at the point when the document rear sensor is turned on until the leading edge of the document reaches the scanning start position.

■ Operating Procedure

- (1) In the initial maintenance mode, set the TC-027 chart on the document stacker.

The message "DOC. READY" appears on the LCD.

- (2) Press the **Help** key.

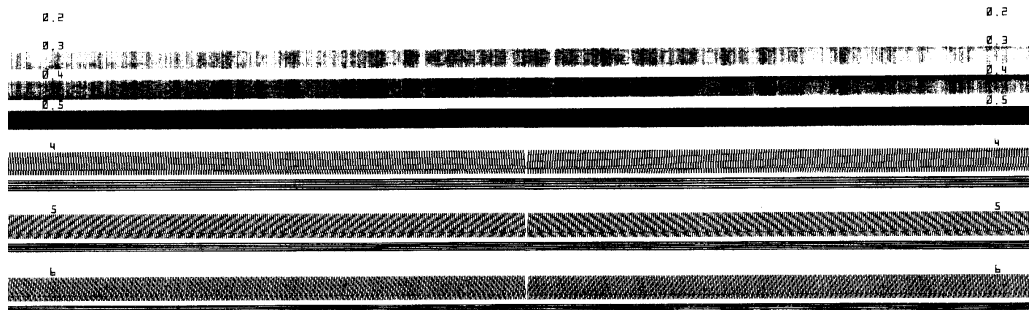
The equipment beeps and draws in the TC-027 chart to the scanning start position. While drawing it in, the equipment counts patterns on the chart to determine the amount of draw.

Upon completion of normal counting, the equipment shows the message "COPYING P.01" on the LCD and begins copying the TC-027 chart. The message "REAR SENSOR IS ADJUSTED." and the copied image will be printed out on recording paper as shown below.

If any error occurs during counting, the message "MACHINE ERROR AB" appears on the LCD, with no copying of the TC-027 chart onto the recording paper taking place. However, only the message "REAR SENSOR IS ADJUSTED." will be printed out.

TC-027

1997.1.14



REAR SENSOR IS ADJUSTED.

Printout after Normal Completion of Document Draw Adjustment

CHAPTER VI.

ERROR INDICATION AND TROUBLESHOOTING

CONTENTS

| | |
|--|--------------|
| 1. ERROR INDICATION | VI-1 |
| 1.1 Equipment Errors | VI-1 |
| [1] Error messages on the LCD | VI-1 |
| [2] Error codes shown in the "MACHINE ERROR __" message | VI-3 |
| 1.2 Communications Errors..... | VI-5 |
| | |
| 2. TROUBLESHOOTING | VI-12 |
| 2.1 Introduction | VI-12 |
| 2.2 Precautions | VI-12 |
| 2.3 Checking prior to Troubleshooting | VI-12 |
| 2.4 Troubleshooting Procedures | VI-13 |
| [1] Control panel related..... | VI-13 |
| [2] Telephone related | VI-13 |
| [3] Communications related | VI-14 |
| [4] Paper/document feeding related | VI-14 |
| [5] Print-image related..... | VI-15 |

1. ERROR INDICATION

To help the user or the service personnel promptly locate the cause of a problem (if any), the facsimile equipment incorporates the self-diagnostic functions which display error messages for equipment errors and communications errors.

For the communications errors, the equipment also prints out the transmission verification report and the communications list.

1.1 Equipment Errors

If an equipment error occurs, the facsimile equipment emits an audible alarm (continuous beeping) for approximately 4 seconds and shows the error message on the LCD. For the error messages, see [1] below. As one of the error messages, "MACHINE ERROR _ _" includes an error code which indicates the detailed error causes listed in [2].

To display an error code for the other latest error message or detailed message, make the equipment enter the maintenance mode and press [8] and [2] keys (for details, refer to Chapter V, Section 3.9).

[1] Error messages on the LCD

| Messages on the LCD | Probable Cause |
|---------------------|--|
| PAPER EMPTY | The paper-edge sensor detects that no recording paper is present. |
| PRINTER JAM | The paper ejection sensor detects that a paper jam has occurred. |
| COVER OPEN | The cover sensor detects that the recording paper cover ASSY is not closed. |
| DOCUMENT JAM | <ul style="list-style-type: none">■ Document jam(1) The document length exceeds the limitation (400 or 90 cm) registered by firmware switch WSW16. (Refer to Chapter V, Section 3.5.) (Both the document front and rear sensors stay ON even after the document has been fed by the registered length.)(2) The document rear sensor detects no trailing edge of a document after the document has been fed by 400 cm. (The document rear sensor stays ON even after the document has been fed when the document front and rear sensors were OFF and ON, respectively.) |

| Messages on the LCD | Probable Cause |
|---------------------|---|
| DOCUMENT JAM | <ul style="list-style-type: none"> ■ Document loading error (1) The document rear sensor detects no leading edge of a document within 10 seconds from the start of document loading operation. (The document rear sensor stays OFF even after the document has been fed when the document front sensor was ON.) (2) The loaded document is too short. (Since the document is shorter than the distance between the document front and rear sensors, the document front sensor is turned OFF before the document rear sensor is turned ON.) |
| CLEAN UP SCANNER | In the scanning compensation data list printed by the maintenance-mode function No. 05, less than fifty percent of the white level data is faulty. |
| SCANNER ERROR | In the scanning compensation data list printed by the maintenance-mode function No. 05, fifty percent or more of the white level data is faulty. |
| PRINTER FAULT | The thermistor in the recording head caused a heat error. |
| CHANGE CARTRIDGE | The ribbon sensor detects that no ink ribbon is loaded. |
| MACHINE ERROR _ _ | "_ _" indicates an error code. Refer to Section [2] on the following pages. |

If only an alarm beep is heard without any message on the LCD when the equipment is powered up, the ROM or RAM will be defective.

[2] Error codes shown in the "MACHINE ERROR _ _" message

| Error Code (Hex.) | Error factor |
|-------------------|--|
| 82 | Recording paper feeding error. |
| 87 | Fails to complete the sequence of recording operation. |
| 8A | Wrong or weak contact of the recording head connectors. |
| (8B | Recording head overheat.) |
| (A1 | Recording paper cover opened.) |
| (A2 | Document too long to scan.) |
| (A3 | Document not detected by the document rear sensor.) |
| (A4 | 50% or more faulty of white level data.) |
| A5 | Faulty operation of DMA0 during scanning. |
| A6 | Faulty operation of DMA1 during scanning. |
| A7 | One-line feeding time-out error. |
| A8 | One-line scanning time-out error. |
| A9 | Abnormal scanning reference voltage. |
| AB | Document feed-in amount measuring error. |
| AC | Less than 50% faulty of white level data. |
| B1 | CODEC LSI error. |
| (B9 | Light emission intensity error of the LED array.) |
| (BA | Scanning error: The left-hand black reference line which is marked on the document pressure bar for scanning width setting is not detected.) |
| (BB | Scanning error: The right-hand black reference line which is marked on the document pressure bar for scanning width setting is not detected.) |
| (BC | Scanning error: Reduction miss) |
| (BD | Scanning error: Enlargement miss) |
| (BE | Abnormal clamp BWM value) |
| D1 | The MODEM setup bit sticks to High. |
| D2 | CTS stays OFF or ON if the MODEM RTS is turned ON or OFF, respectively. |
| D3 | Bit B1A of the MODEM stays OFF. |
| D4 | Bit RX of the MODEM stays OFF. |
| D5 | The MODEM fails to complete the command transmission sequence. |
| D6 | No MODEM interrupt for 60 seconds. |
| E1 | Microprocessor (MPU) error on the control panel PCB. |
| (E4 | Out of recording paper.) |
| (E5 | Recording paper set error.) |
| E6 | Write error in E ² PROM. |
| E8 | Data scanning error during transmission. |
| (EA | Document removed at phase B.) |
| F3 | Voice message recording or playing-back not started. |
| F5 | EOL not found in page memory transmission mode. |
| FF | Interface error of page memory command. |

Error codes in parentheses do not appear in the "MACHINE ERROR _ _," since those errors are displayed as messages described in "[1] Error messages on the LCD." You can display those error codes in the maintenance mode (Function code 82). If an equipment error occurs during communications, they appear in the communications error lists.

| Error Code (Hex.) | Error factor |
|-------------------|---|
| (82xx) | Although recording paper has been fed by 150 mm after the start of recording, the paper-edge sensor is still OFF. |
| (8303) | Although recording paper has been fed by 360 mm after the start of recording, the paper-edge sensor is still ON. |
| (8406) | Although the trailing edge of recording paper has passed out of the platen and further fed for 100 mm, the paper ejection sensor is still ON. |
| (8407) | Within 10 mm of paper feeding from when the paper ejection sensor went OFF, the sensor has come ON again. |
| (8808) | Before the paper-edge sensor goes OFF (after the paper ejection sensor came ON), the paper ejection sensor has gone OFF. |
| (8809) | Before the start of paper feeding, the paper-edge sensor is already ON. |
| (880A) | Although recording paper has been fed by 50 mm after the start of recording, the paper ejection sensor is still OFF. |
| (880B) | When the power is turned on or the recording paper cover ASSY is opened and closed, either of the paper-edge sensor or paper ejection sensor is ON. |
| (A301) | Even if a document is set, the document front sensor is OFF. |
| (A302) | Although a document has passed through the document front sensor, the document rear sensor is still OFF. |
| (A303) | When the document ejection operation has started, the document front sensor remains OFF. |
| (A304) | When the document ejection operation has started, the document rear sensor remains OFF. |
| (A305) | Although the CIS scanner area setting operation has been completed (Function code 55 in the maintenance mode), the document front sensor remains OFF. |
| (A306) | Although the CIS scanner area setting operation has been completed (Function code 55 in the maintenance mode), the document rear sensor remains OFF. |

NOTE: Four-digit error codes listed above are preceded by MACHINE ERR instead of MACHINE ERROR.

Error codes in parentheses do not appear in the "MACHINE ERROR __," since those errors are displayed as messages described in "[1] Error messages on the LCD." You can display those error codes in the maintenance mode (Function code 82). If an equipment error occurs during communications, they appear in the communications error lists.

1.2 Communications Errors

If a communications error occurs, the facsimile equipment

- ① emits an audible alarm (intermittent beeping) for approximately 4 seconds,
- ② displays the corresponding error message, and
- ③ prints out the transmission verification report if the equipment is in sending operation.

■ Definition of Error Codes on the Communications List

(1) Calling

| Code 1 | Code 2 | Causes |
|--------|--------|--|
| 10 | 08 | Wrong number called. |
| 11 | 01 | No dial tone detected before start of dialing. |
| 11 | 02 | Busy tone detected before dialing. |
| 11 | 03 | 2nd dial tone not detected. |
| 11 | 05 | No loop current detected. * |
| 11 | 06 | Busy tone detected after dialing or called. |
| 11 | 07 | No response from the remote station in sending. |
| 11 | 10 | No tone detected after dialing. |
| | | |
| 17 | 07 | No response from the calling station in receiving. |
| | | |

* Available in Germany and Austria only.

(2) Command reception

| Code 1 | Code 2 | Causes |
|--------|--------|---|
| 20 | 01 | Unable to detect a flag field. |
| 20 | 02 | Carrier was OFF for 200 ms or longer. |
| 20 | 03 | Abort detected ("1" in succession for 7 bits or more). |
| 20 | 04 | Overflow detected. |
| 20 | 05 | A frame for 3 seconds or more received. |
| 20 | 06 | CRC error in answerback. |
| 20 | 07 | Undefined command received. |
| 20 | 08 | Invalid command received. |
| 20 | 09 | Command ignored once for document setting or for dumping-out at turn-around transmission. |
| 20 | 0A | T5 time-out error |
| 20 | 0B | CRP received. |
| 20 | 0C | EOR and NULL received. |

(3) Compatibility [checking the NSF and DIS]

| Code 1 | Code 2 | Causes |
|--------|--------|---|
| 32 | 01 | Remote terminal only with V.29 capability in 2400 or 4800 bps transmission. |
| 32 | 02 | Remote terminal not ready for polling. |
| | | |
| | | |
| 32 | 10 | Remote terminal not equipped with password function or its password switch OFF. |
| 32 | 11 | Remote terminal not equipped with or not ready for confidential mail box function. |
| 32 | 12 | Remote terminal not equipped with or not ready for relay broadcasting function. |
| 32 | 13 | No confidential mail in the remote terminal. |
| 32 | 14 | The available memory space of the remote terminal is less than that required for reception of the confidential or relay broadcasting instruction. |
| | | |
| | | |
| | | |

(4) Instructions received from the remote terminal [checking the NSC, DTC, NSS, and DCS]

| Code 1 | Code 2 | Causes |
|--------|--------|---|
| 40 | 02 | Illegal coding system requested. |
| 40 | 03 | Illegal recording width requested. |
| | | |
| 40 | 05 | ECM requested although not allowed. |
| 40 | 06 | Polled while not ready. |
| 40 | 07 | No document to send when polled. |
| | | |
| | | |
| 40 | 10 | Nation code or manufacturer code not coincident. |
| 40 | 11 | Unregistered group code entered for relay broadcasting function, or the specified number of broadcasting subscribers exceeding the limit. |
| 40 | 12 | Retrieval attempted when not ready for retrieval. |
| 40 | 13 | Polled by any other manufacturers' terminal while waiting for secure polling. |
| 40 | 17 | Invalid resolution selected. |
| | | |
| | | |

(5) Command reception [checking the NSF and DIS after transmission of NSS and DCS]

| Code 1 | Code 2 | Causes |
|--------|--------|--|
| 50 | 01 | Vertical resolution capability changed after compensation of background color. |
| | | |
| | | |

(6) ID checking

| Code 1 | Code 2 | Causes |
|--------|--------|---|
| 63 | 01 | Password plus "lower 4 digits of telephone number" not coincident. |
| 63 | 02 | Password not coincident. |
| 63 | 03 | Polling ID not coincident. |
| 63 | 04 | Entered confidential mail box ID uncoincident with the mail box ID. |
| 63 | 05 | Relay broadcasting ID not coincident. |
| 63 | 06 | Entered retrieval ID uncoincident with that of the mail box ID. |
| | | |
| | | |
| | | |

(7) DCN reception

| Code 1 | Code 2 | Causes |
|--------|--------|---------------|
| 74 | | DCN received. |
| | | |
| | | |
| | | |

(8) TCF transmission/reception

| Code 1 | Code 2 | Causes |
|--------|--------|----------------------|
| 80 | 01 | Fallback impossible. |
| | | |
| | | |
| | | |
| | | |

(9) Signal isolation

| Code 1 | Code 2 | Causes |
|--------|--------|--|
| 90 | 01 | Unable to detect video signals and commands within 6 seconds after CFR is transmitted. |
| 90 | 02 | Received PPS containing invalid page count or block count. |
| | | |
| | | |

(10) Video signal reception

| Code 1 | Code 2 | Causes |
|--------|--------|---|
| A0 | 03 | Error correction sequence not terminated even at the final transmission speed for fallback. |
| A0 | 11 | Receive buffer empty. (5-second time-out) |
| A0 | 12 | Receive buffer full during operation except receiving into memory. |
| A0 | 13 | Decoding error continued on 500 lines. |
| A0 | 14 | Decoding error continued for 10 seconds. |
| A0 | 15 | Time-out: Five seconds or more for one-line transmission. |
| A0 | 16 | RTC not found and carrier OFF signal detected for 6 seconds. |
| A0 | 17 | RTC found and command detected for 60 seconds. |
| A8 | 01 | RTN, PIN, or ERR received at the calling terminal. * |
| A9 | 01 | RTN, PIN, or ERR received at the called terminal. * |
| AA | 18 | Receive buffer full during receiving into memory. |

* Available in Germany and Austria only.

(11) General communications-related

| Code 1 | Code 2 | Causes |
|--------|--------|---|
| B0 | 01 | Polarity inversion detected. |
| B0 | 02 | Unable to receive the next-page data. |
| B0 | 03 | Unable to receive polling even during turn-around transmission due to call reservation. |
| B0 | 04 | PC interface error. |
| | | |

(12) Maintenance mode

| Code 1 | Code 2 | Causes |
|--------|--------|---|
| E0 | 01 | Failed to detect 1300 Hz signal in burn-in operation. |
| E0 | 02 | Failed to detect PB signals in burn-in operation. |
| E0 | 03 | Failed to detect any command from the RS-232C interface in burn-in operation. |
| | | |
| | | |

(13) Equipment error

| Code 1 | Code 2 | Causes |
|--------|--------|--|
| FF | -- | Equipment error (For --, refer to Subsection 1.1 [2].) |
| | | |
| | | |

2. TROUBLESHOOTING

2.1 Introduction

This section gives the service personnel some of the troubleshooting procedures to be followed if an error or malfunction occurs with the facsimile equipment. It is impossible to anticipate all of the possible problems which may occur in future and determine the troubleshooting procedures, so this section covers some sample problems. However, those samples will help service personnel pinpoint and repair other defective elements if he/she analyzes and examines them well.

2.2 Precautions

Be sure to observe the following to prevent the secondary troubles from happening:

- (1) Always unplug the AC cord from the outlet when removing the covers and PCBs, adjusting the mechanisms, or conducting continuity testing with a circuit tester.
- (2) When disconnecting the connectors, do not pull the lead wires but hold the connector housings.
- (3)
 - Before handling the PCBs, touch a metal portion of the machine to discharge static electricity charged in your body.
 - When repairing the PCBs, handle them with extra care.

After repairing the defective section, be sure to check again if the repaired section works correctly. Also record the troubleshooting procedure so that it would be of use for future trouble occurrence.

2.3 Checking prior to Troubleshooting

Prior to proceeding to the troubleshooting procedures, check that:

- (1) Each voltage level on AC input lines and DC lines is correct.
- (2) All cables and harnesses are firmly connected.
- (3) None of the fuses are blown.

2.4 Troubleshooting Procedures

[1] Control panel related

| Trouble | Check: |
|--------------------------------|---|
| (1) LCD shows nothing. | <ul style="list-style-type: none"> • Main-panel harness between the main PCB and the control panel PCB • Interfaces between the main PCB, NCU PCB and power supply PCB • Control panel PCB • Power supply PCB • Main PCB |
| (2) Control panel inoperative. | <ul style="list-style-type: none"> • Main-panel harness between the main PCB and the control panel PCB • Interfaces between the main PCB, NCU PCB and power supply PCB • Control panel PCB • FPC key • Main PCB |

[2] Telephone related

| Trouble | Check: |
|---|--|
| (1) No phone call can be made. | <ul style="list-style-type: none"> • FPC key • Control panel PCB by using the maintenance-mode function No. 13. If any defective keys are found, replace them. (Refer to Chapter V, Section 3.6, "Operational Check of Control Panel PCB.") • NCU PCB • Main PCB |
| (2) Speed dialing or one-touch dialing will not work. | <ul style="list-style-type: none"> • Ordinary dialing function (other than the speed and one-touch dialing) <p>If it works normally, check the main PCB; if not, refer to item (1) above.</p> |
| (3) Speaker silent during on-hook dialing. | <ul style="list-style-type: none"> • Ordinary dialing function (other than the on-hook dialing with the hook key) <p>If it works normally, proceed to the following checks; if not, refer to item (1) above.</p> |
| (4) Dial does not switch between tone and pulse. | <ul style="list-style-type: none"> • Main PCB |

| Trouble | Check: |
|------------------------------|--|
| (5) Telephone does not ring. | <ul style="list-style-type: none"> • Speaker • NCU PCB • Main PCB |

[3] Communications related

| Trouble | Check: |
|-----------------------------|---|
| (1) No tone is transmitted. | <ul style="list-style-type: none"> • Main PCB • NCU PCB |

[4] Paper/document feeding related

| Trouble | Check: |
|---|---|
| (1) Neither "COPY: PRESS COPY" nor "FAX: NO. & START" message appears although documents are set. | <ul style="list-style-type: none"> • Sensors by using the maintenance-mode function No. 32. (Refer to Chapter V, Section 3.7, "Sensor Operational Check.") • Actuators of the document front and rear sensors • Main PCB |
| (2) Document not fed. | <ul style="list-style-type: none"> • ADF and its related sections • Drive motor and its harness • White pressure roller and its related gears • Solenoid and the planetary gear train • Main PCB |
| (3) Recording paper not fed. | <ul style="list-style-type: none"> • ADF and its related sections • Drive motor and its harness • Platen and its related gears • Solenoid and the planetary gear train • Main PCB |

[5] Print-image related

If the received or sent image has any problem, first make a copy with the facsimile equipment.

If the copied image is normal, the problem may be due to the remote terminal; if it is abnormal, proceed to the following checks:

| Trouble | Check: |
|---|--|
| (1) Completely blank <u>At the scanner</u> <u>At the recorder</u> | <ul style="list-style-type: none"> • Main PCB • Main-head harness and head-power harness • Compression springs beneath the recording head • Recording head • Main PCB |
| (2) White vertical streaks <u>At the scanner</u> <u>At the recorder</u> | <ul style="list-style-type: none"> • CIS unit • Recording head |
| (3) All black <u>At the scanner</u> <u>At the recorder</u> | <ul style="list-style-type: none"> • CIS harness • CIS unit • Main PCB • Main-head harness and head-power harness • Recording head • Main PCB |
| (4) Black vertical streaks <u>At the scanner</u> <u>At the recorder</u> | <ul style="list-style-type: none"> • CIS unit • Recording head |
| (5) Light or dark <u>At the scanner</u> <u>At the recorder</u> | <ul style="list-style-type: none"> • CIS unit • Main PCB • Compression springs beneath the recording head |

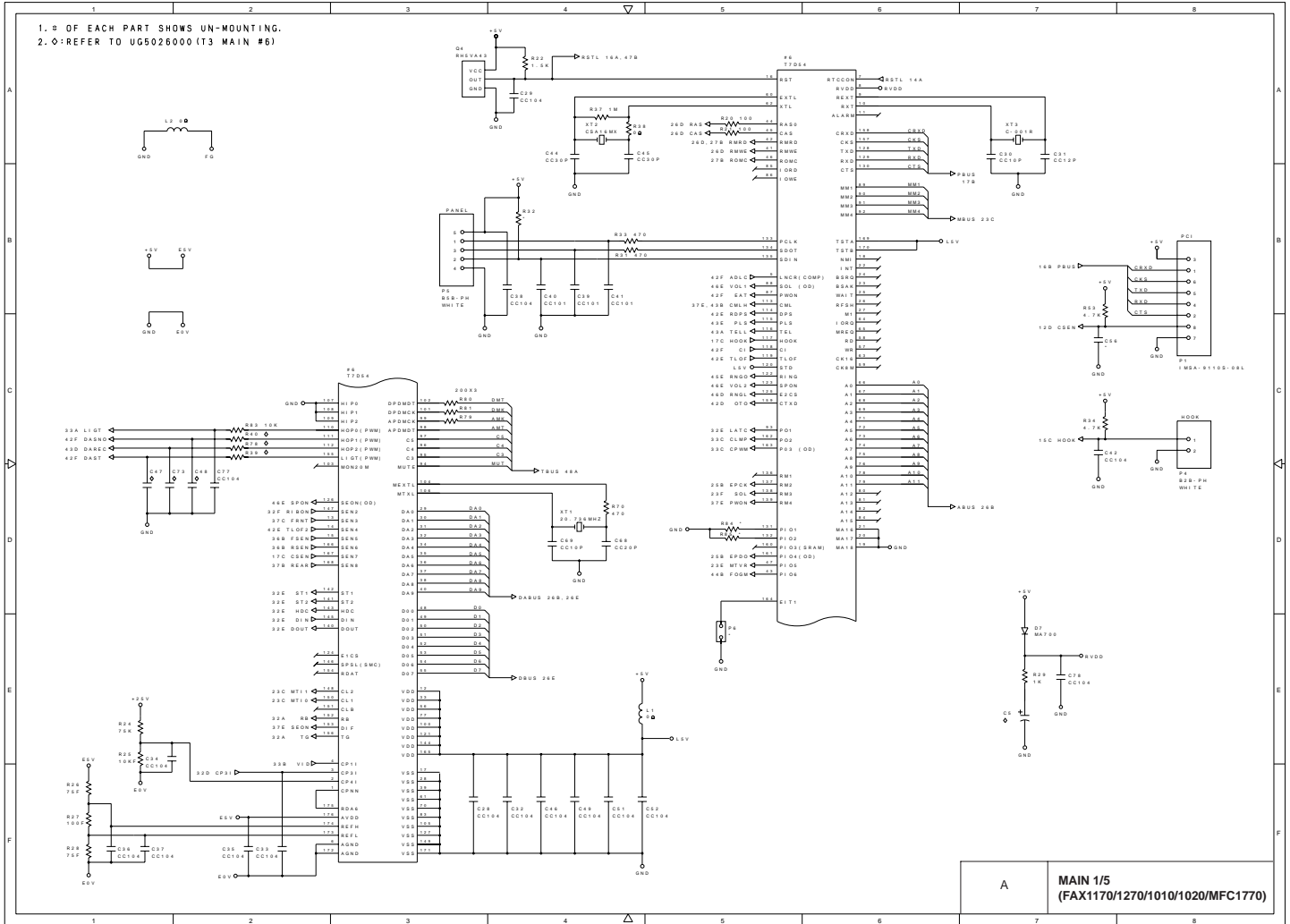
**FAX1170/1270/1570MC
FAX1010/1020/1030
MFC1770/1870MC/1970MC**

APPENDICES

Circuit Diagrams

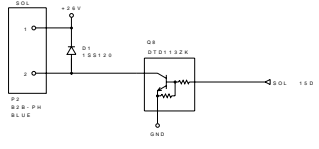
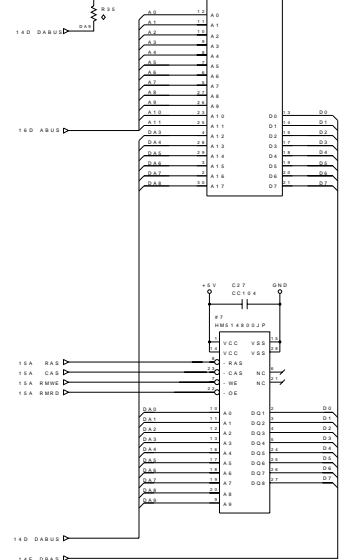
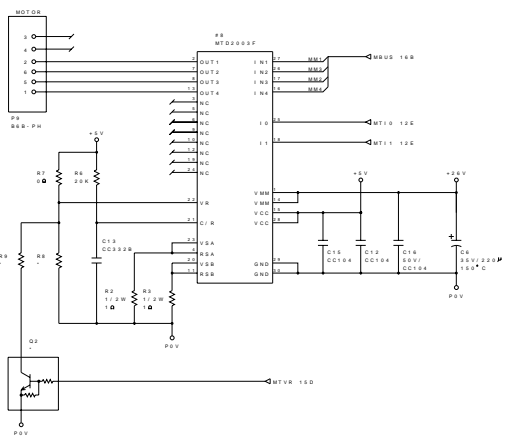
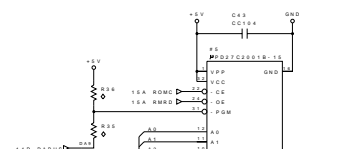
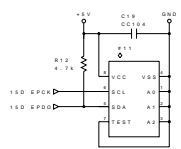
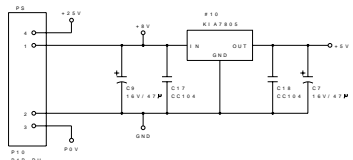
- A. Main PCB
- B. Network Control Unit (NCU) PCB
- C. Control Panel PCB
- D. Power Supply PCB

1. Ø OF EACH PART SHOWS UN-MOUNTING.
 2. Ø REFER TO UG5026000 (T3 MAIN #6)



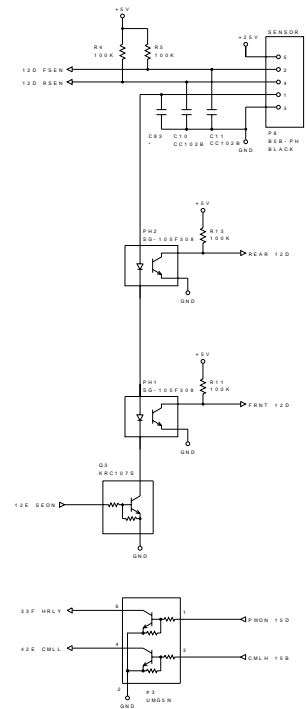
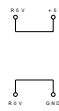
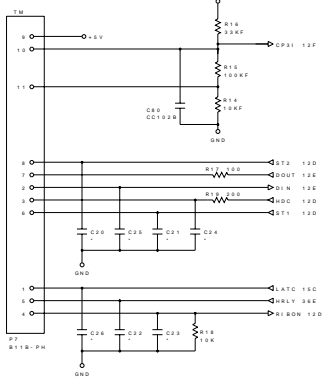
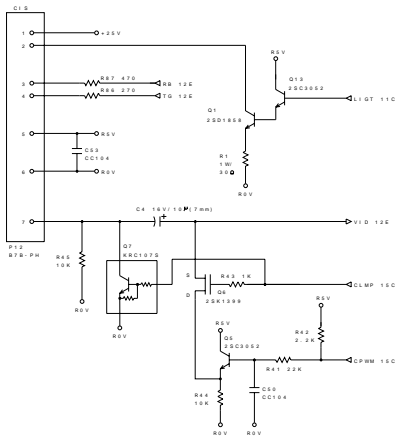
A MAIN 1/5
 (FAX1170/1270/1010/1020/MFC1770)

1. # OF EACH PART SHOWS UN-MOUNTING.
 2. ◊: REFER TO UG5026000 (T3 MAIN #6)



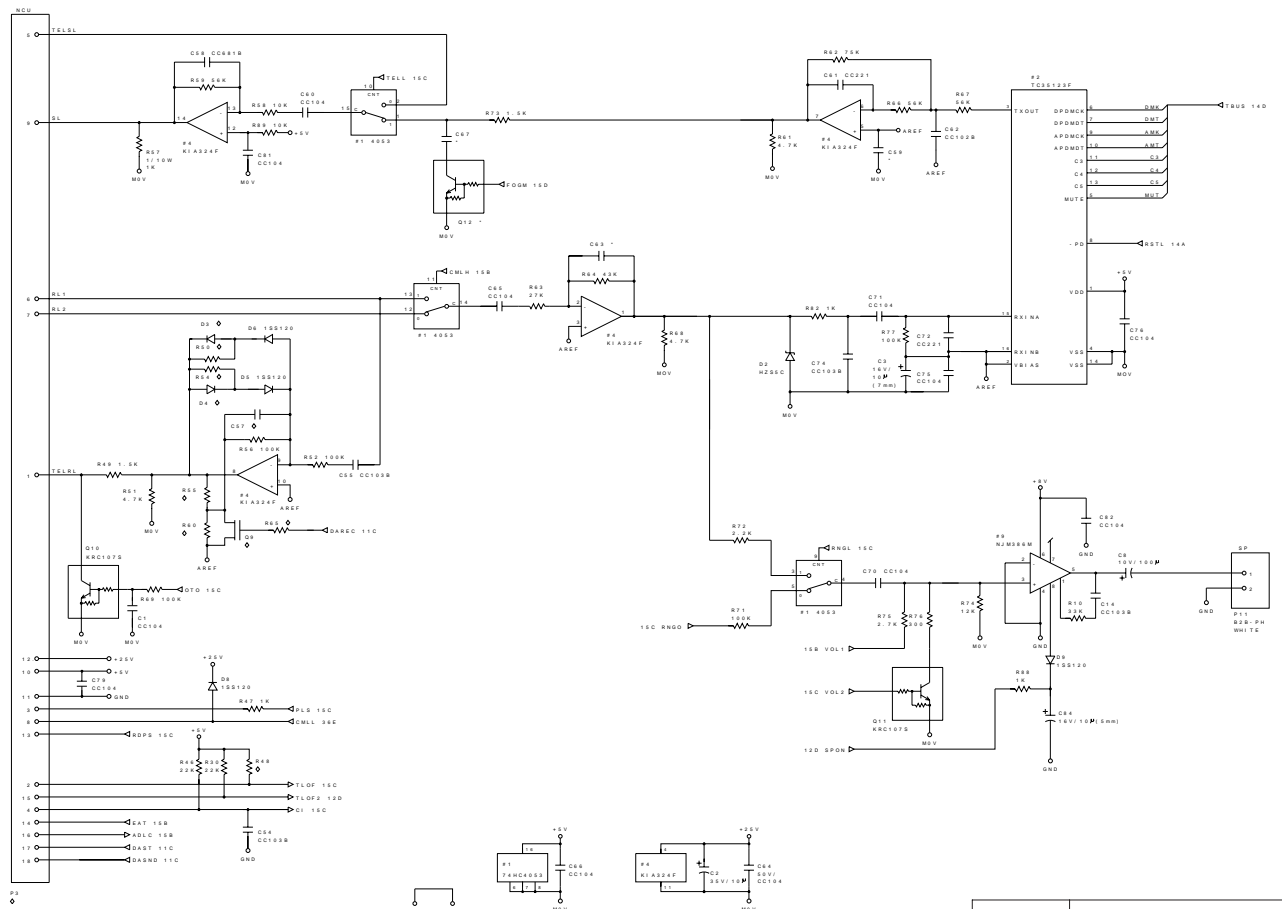
A MAIN 2/5
 (FAX1170/1270/1010/1020/MFC1770)

1. # OF EACH PART SHOWS UN-MOUNTING.
 2. ◊: REFER TO UG5026000 (T3 MAIN #6)



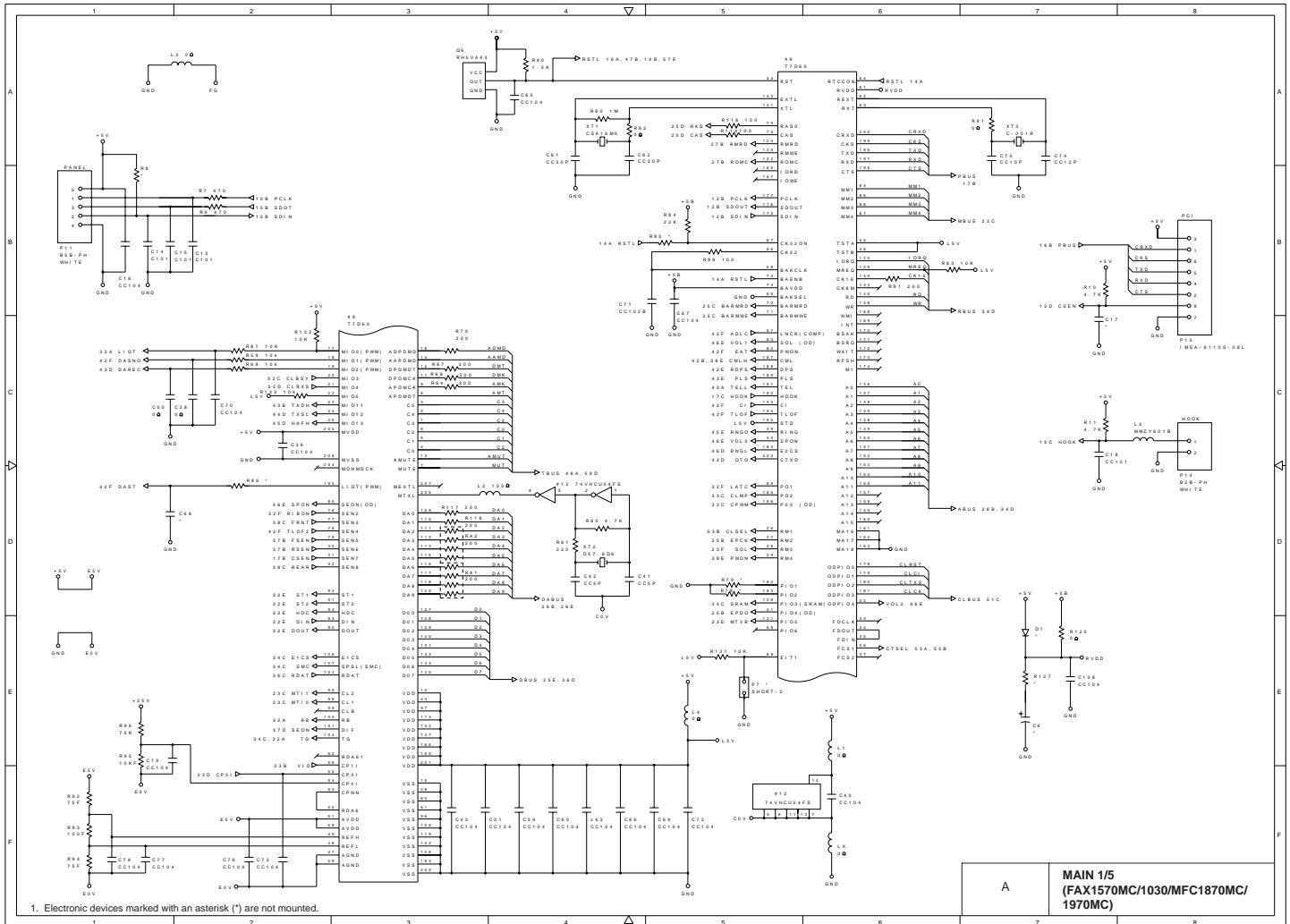
A MAIN 3/5
 (FAX1170/1270/1010/1020/MFC1770)

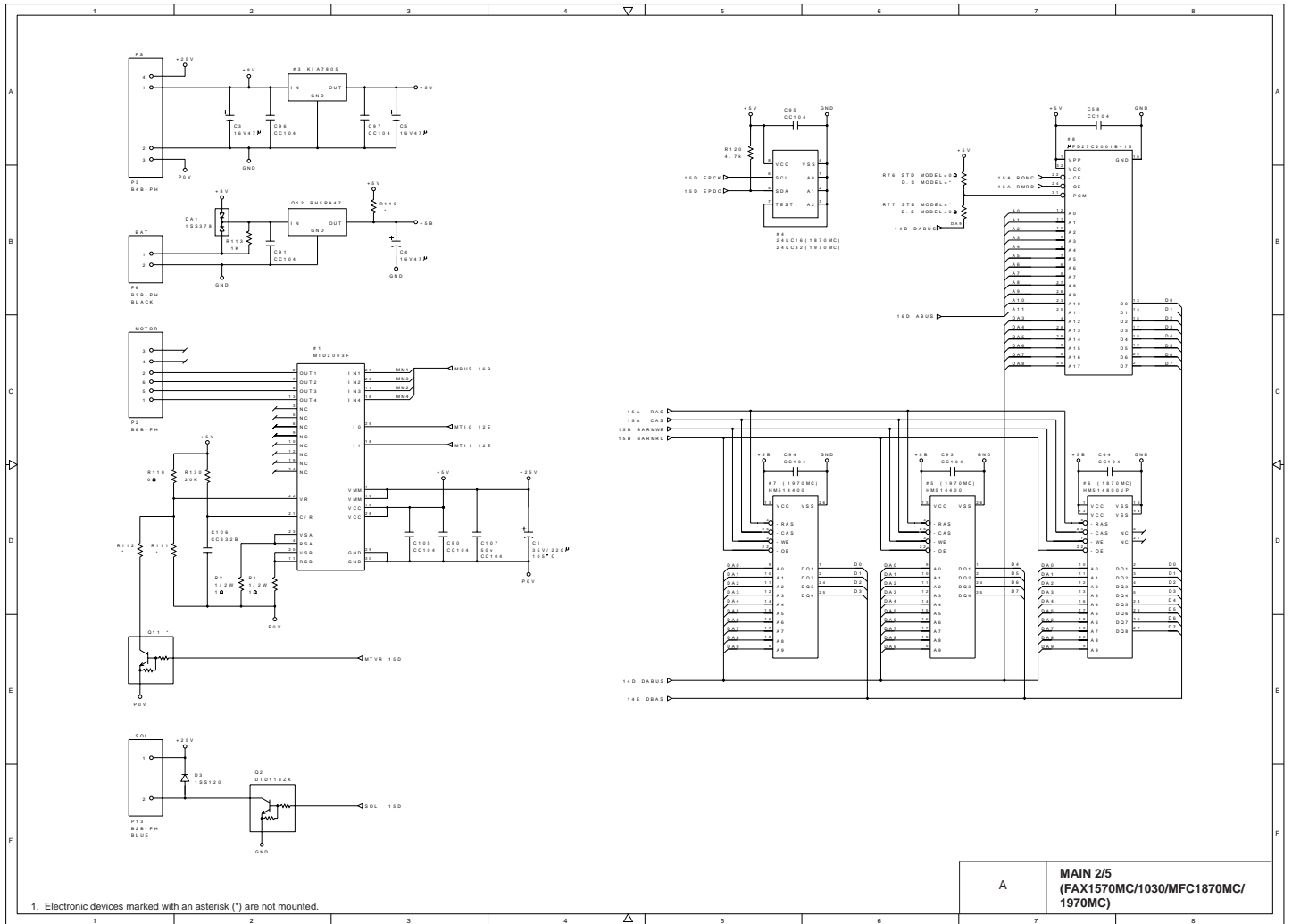
1. # OF EACH PART SHOWS UN-MOUNTING.
 2. ◊ REFER TO UG5026000 (T3 MAIN #6)

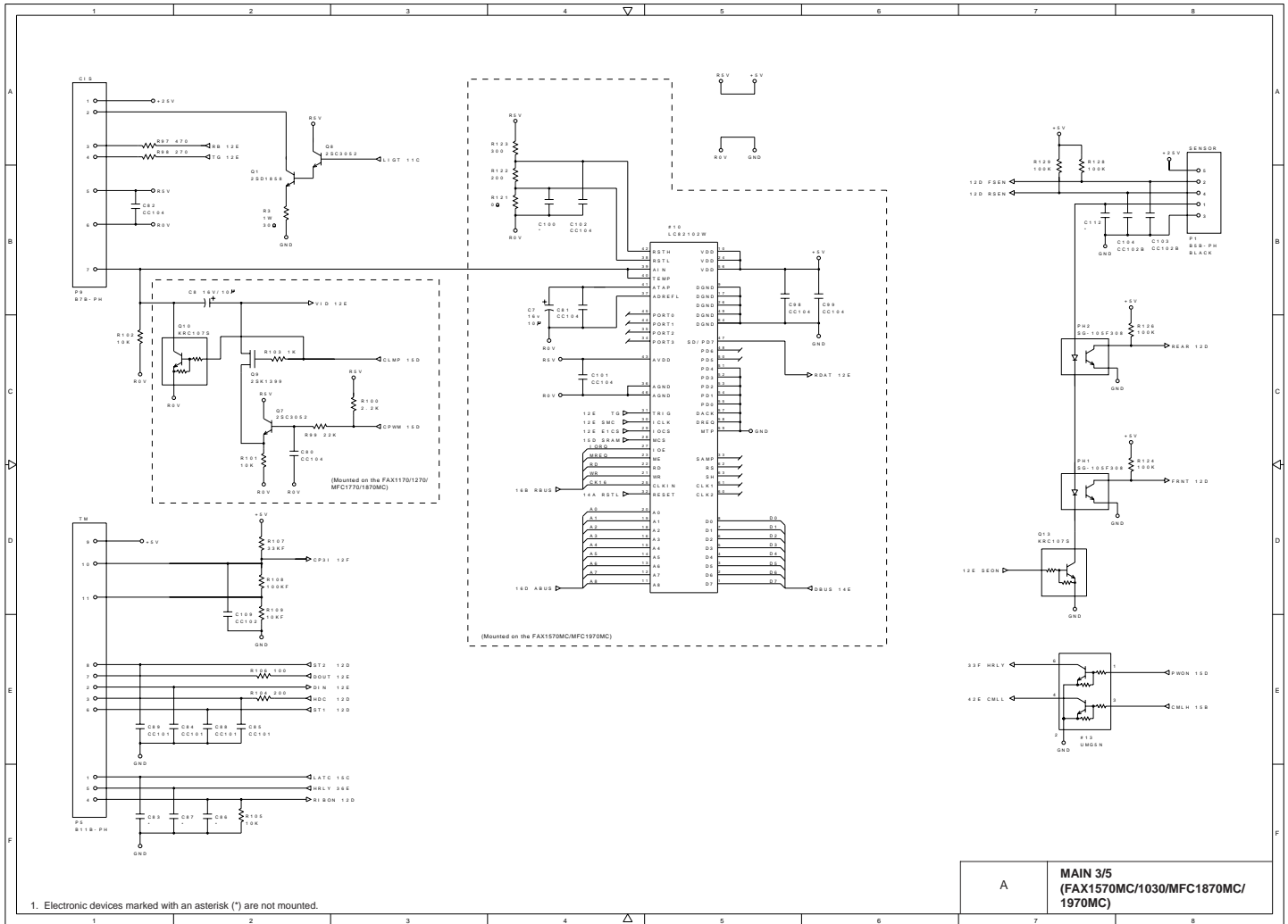


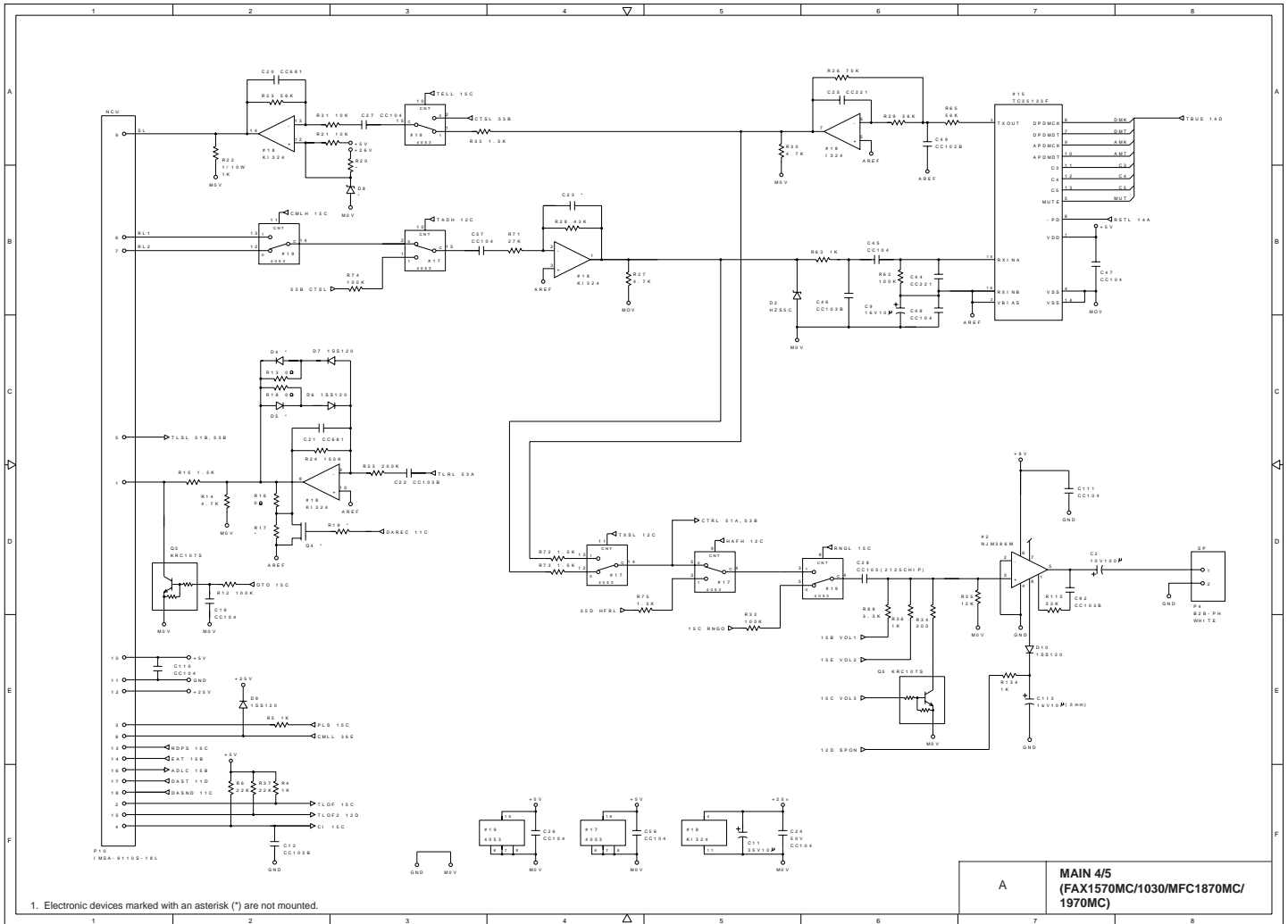
| | |
|---|---|
| A | MAIN 4/5 (FAX1170/1270/1010/1020/MFC1770) |
|---|---|

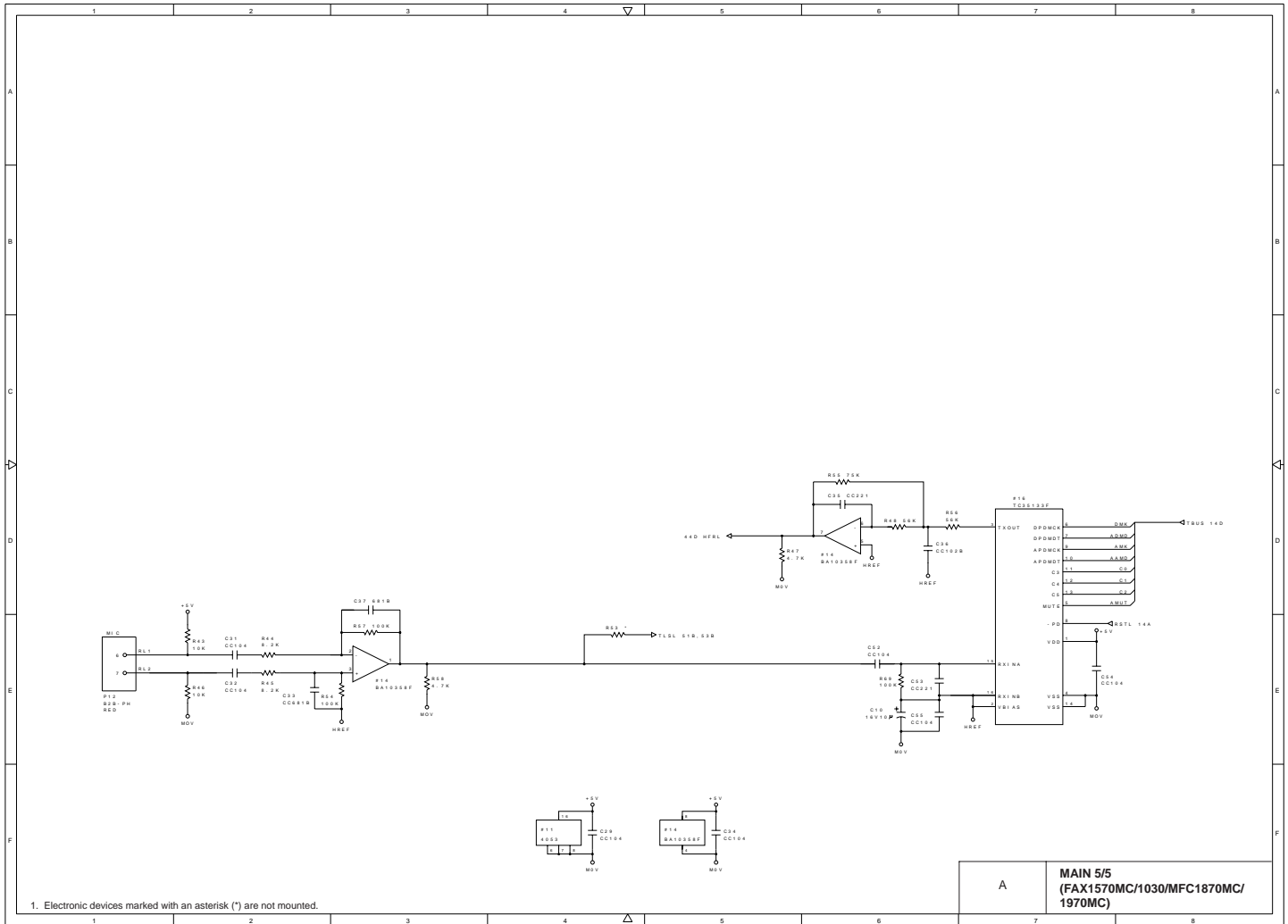
| | | | FAX1170 FAX1270 MFC1770 | FAX1010 FAX1020 | FAX1170-FS FAX1270-FS MFC1770-FS | | | |
|---------|--------|---------------------------|--------------------------------------|--------------------------------------|--|---|---|---|
| | | | S. ASSY 01 | S. ASSY 02 | S. ASSY 41 | S. ASSY SS21 | S. ASSY SS22 | S. ASSY SS23 |
| | | | UG5028001 Main PCB B3K285 ASSY | UG5028002 Main PCB B3K285 ASSY | UG5028041 Main PCB B3K285 ASSY | UG5059021 Main PCB B3K285 ASSY EUF | UG5059022 Main PCB B3K285 ASSY EUF | UG5059023 Main PCB B3K285 ASSY EUF |
| PAGE | NO. | | | | | | | |
| 1 | PWM | R39 | - | - | - | 10KΩ | 10KΩ | 10KΩ |
| | PWM | R40 | - | - | - | 10KΩ | 10KΩ | 10KΩ |
| | PWM | R78 | - | - | - | 10KΩ | 10KΩ | 10KΩ |
| | PWM | C47 | - | - | - | 0.1μF | 0.1μF | 0.1μF |
| | PWM | C48 | - | - | - | 0.1μF | 0.1μF | 0.1μF |
| | PWM | C73 | - | - | - | 0.1μF | 0.1μF | 0.1μF |
| BACK UP | C5 | Electrolytic, C5.5B473 | Electrolytic, C5.5B104 | Electrolytic, C5.5B473 | Electrolytic, C5.5B104 | Electrolytic, C5.5B104 | Electrolytic, C5.5B104 | |
| 2 | 2MR0M | R36 | 0Ω | 0Ω | - | 0Ω | - | 0Ω |
| | 4MR0M | R35 | - | - | 0Ω | - | 0Ω | - |
| | EEPROM | #11 | EEPST24C16 | EEPST24C16 | EEPST24C16 | EEPST24C16 | EEPST24C16 | EEP24LC32 |
| 4 | NCU | P3 | Connector 9110S-12L | Connector 9110S-12L | Connector 9110S-12L | Connector 9110S-18L | Connector 9110S-18L | Connector 9110S-18L |
| | RLR | Q9 | - | - | - | FET2SK208 | FET2SK208 | FET2SK208 |
| | RLR | D3 | - | - | - | SI D1SS120 | SI D1SS120 | SI D1SS120 |
| | RLR | D4 | - | - | - | SI D1SS120 | SI D1SS120 | SI D1SS120 |
| | RLR | R50 | 0Ω | 0Ω | 0Ω | - | - | - |
| | RLR | R54 | 0Ω | 0Ω | 0Ω | - | - | - |
| | RLR | R56 | 100KΩ | 100KΩ | 100KΩ | 22KΩ | 22KΩ | 22KΩ |
| | RLR | R55 | 0Ω | 0Ω | 0Ω | 1KΩ | 1KΩ | 1KΩ |
| | RLR | R60 | - | - | - | 680Ω | 680Ω | 680Ω |
| | RLR | R65 | - | - | - | 47KΩ | 47KΩ | 47KΩ |
| | TL0F | C57 | 680pF | 680pF | 680pF | 1800pF | 1800pF | 1800pF |
| | R48 | 1KΩ | 1KΩ | 1KΩ | 22KΩ | 22KΩ | 22KΩ | |

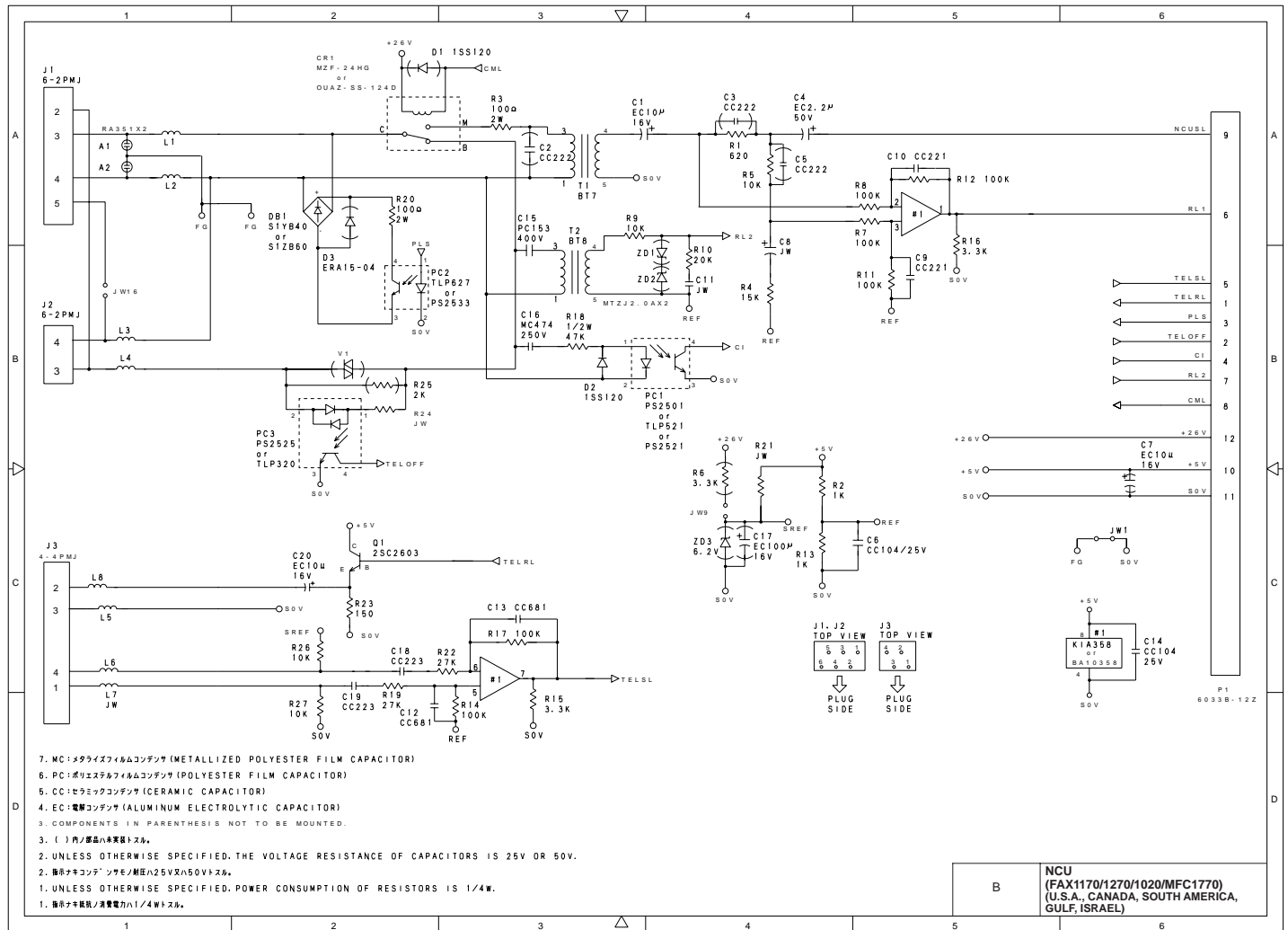


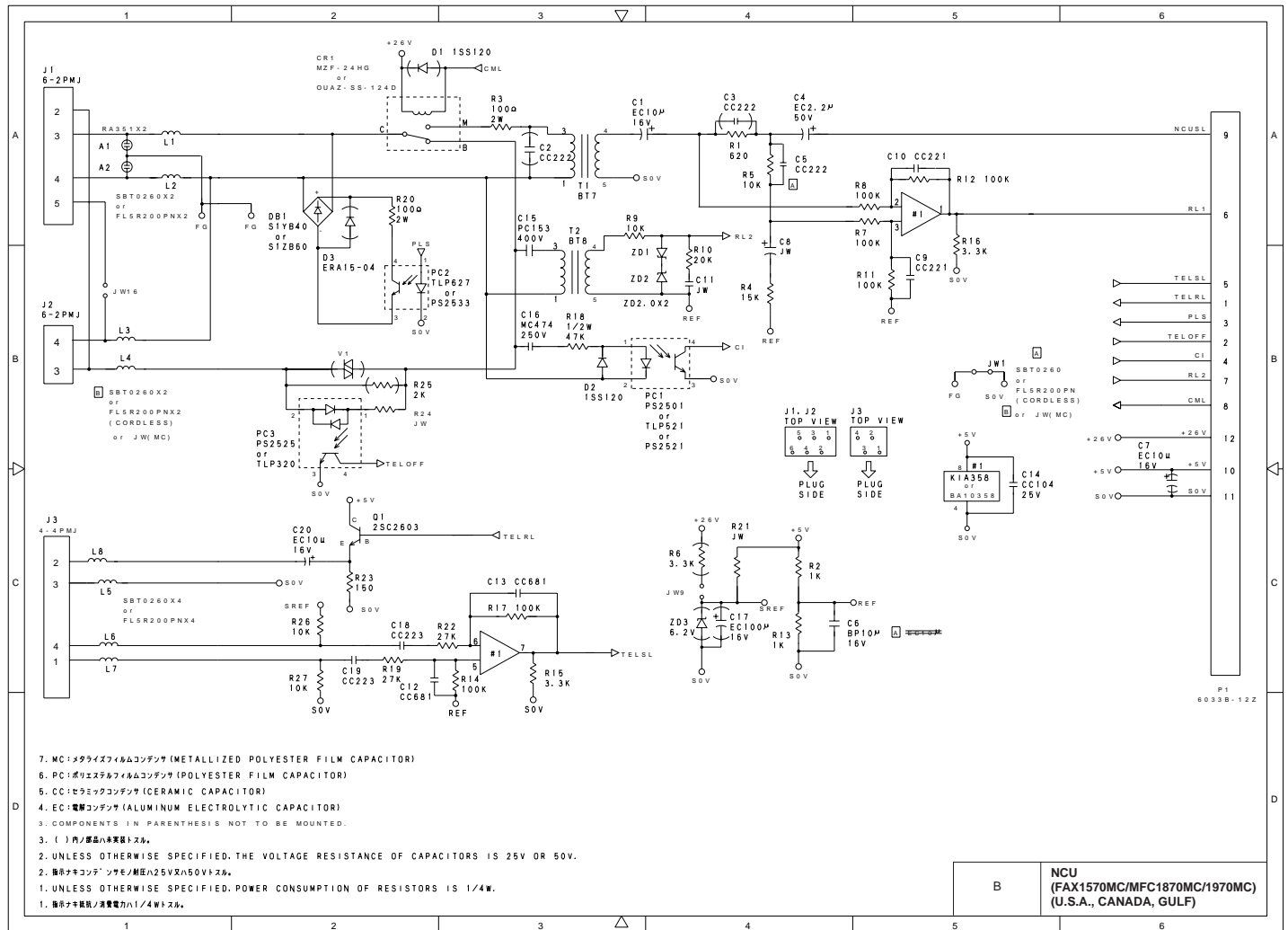


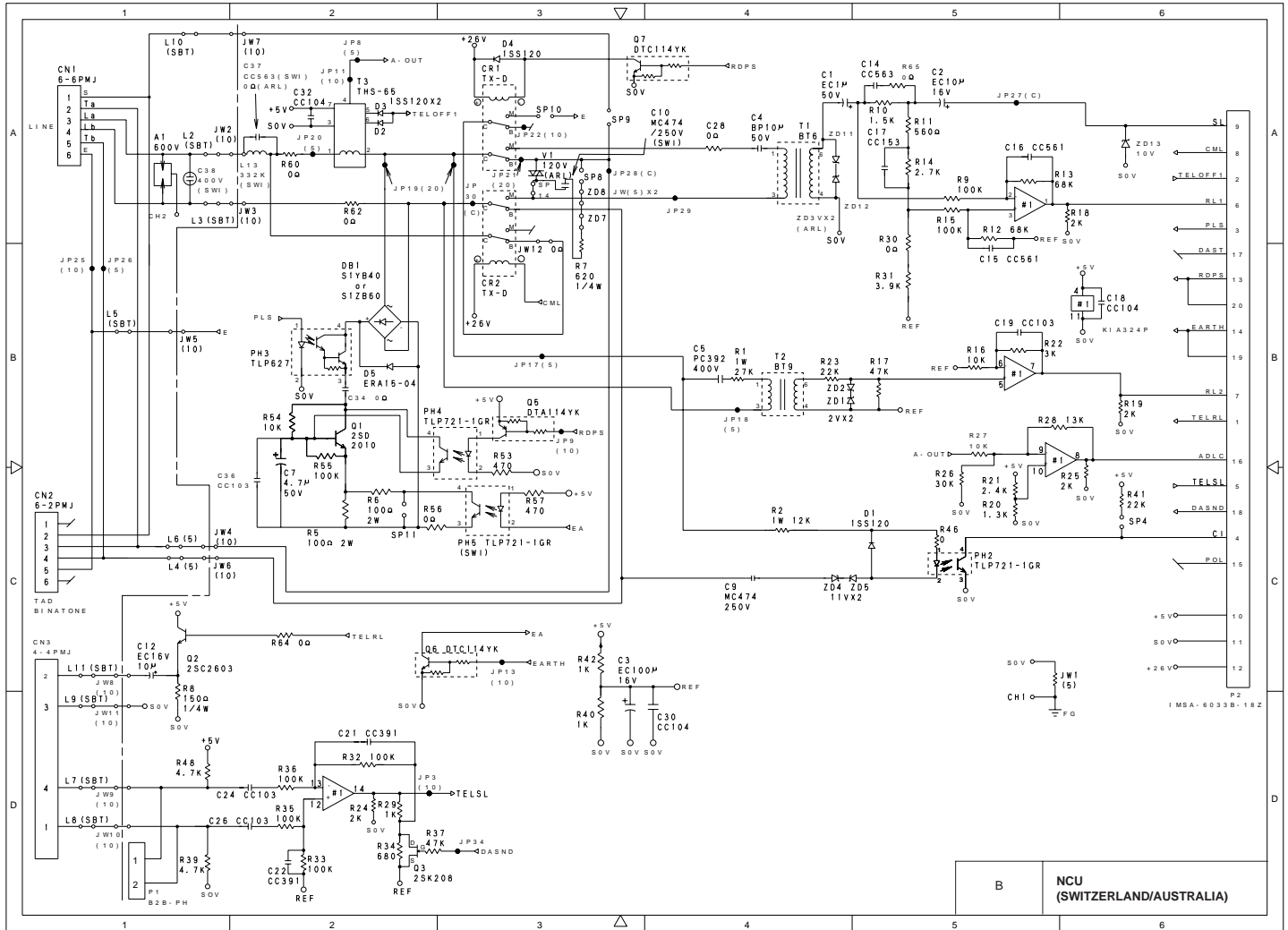




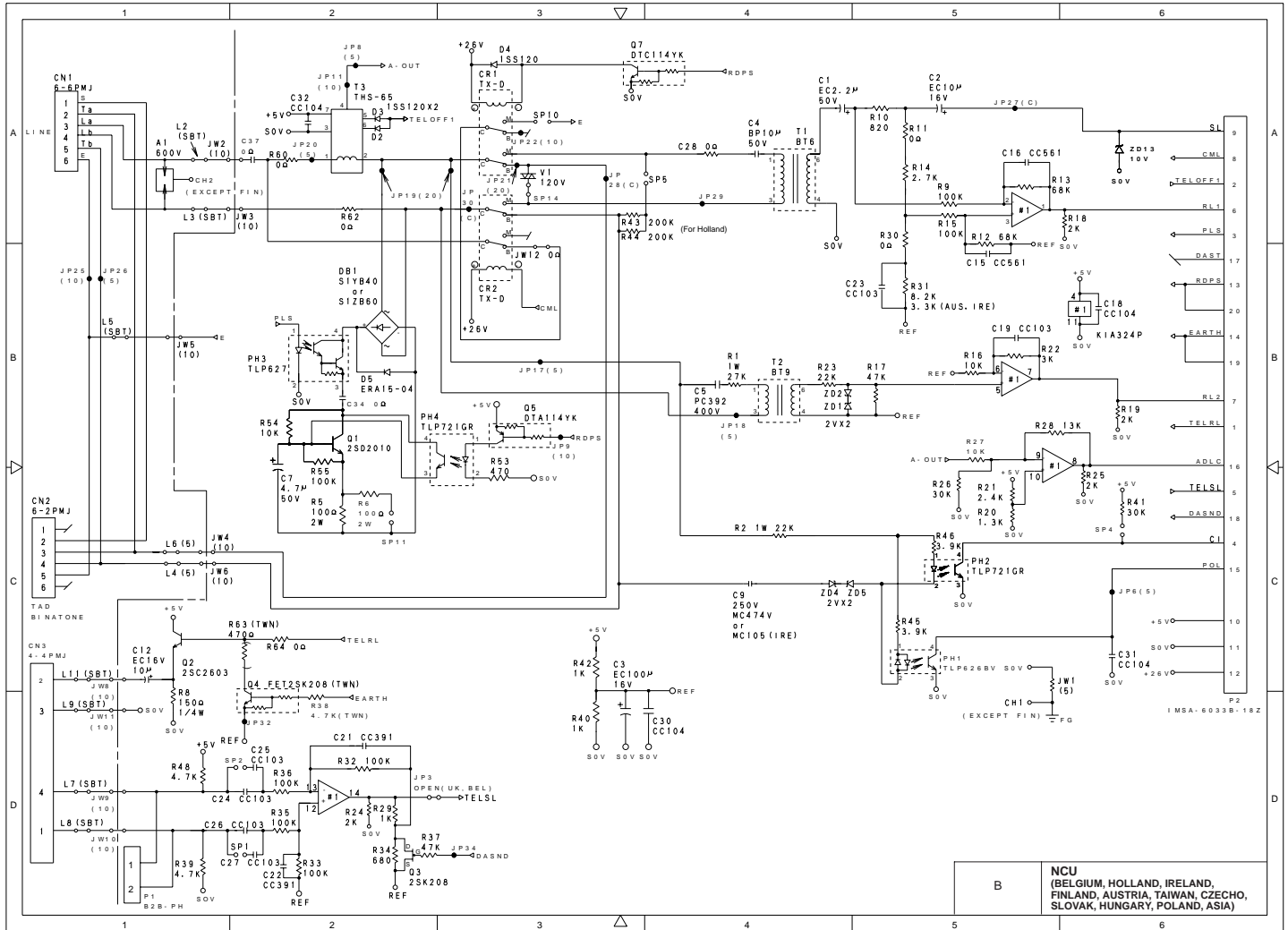


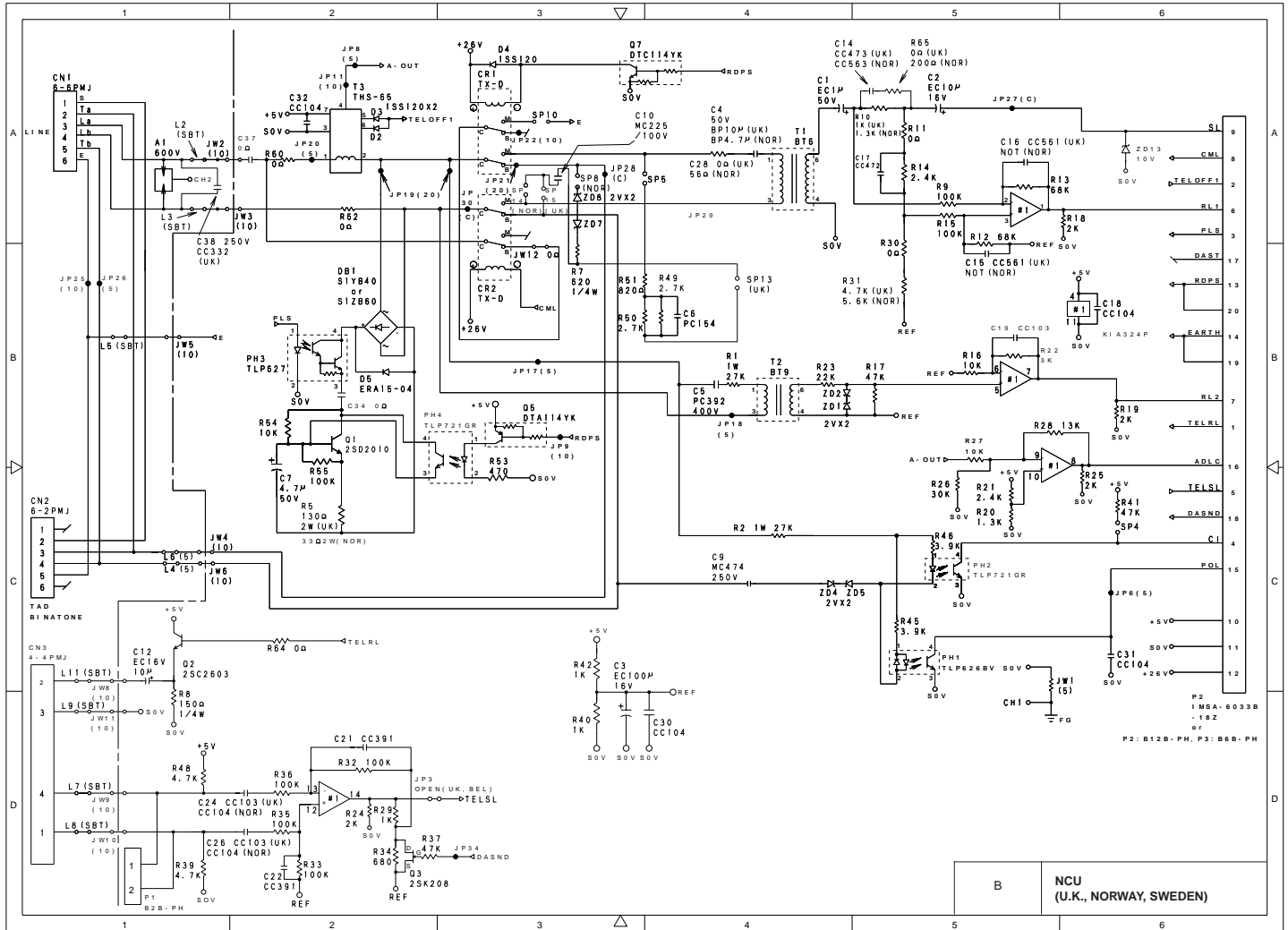


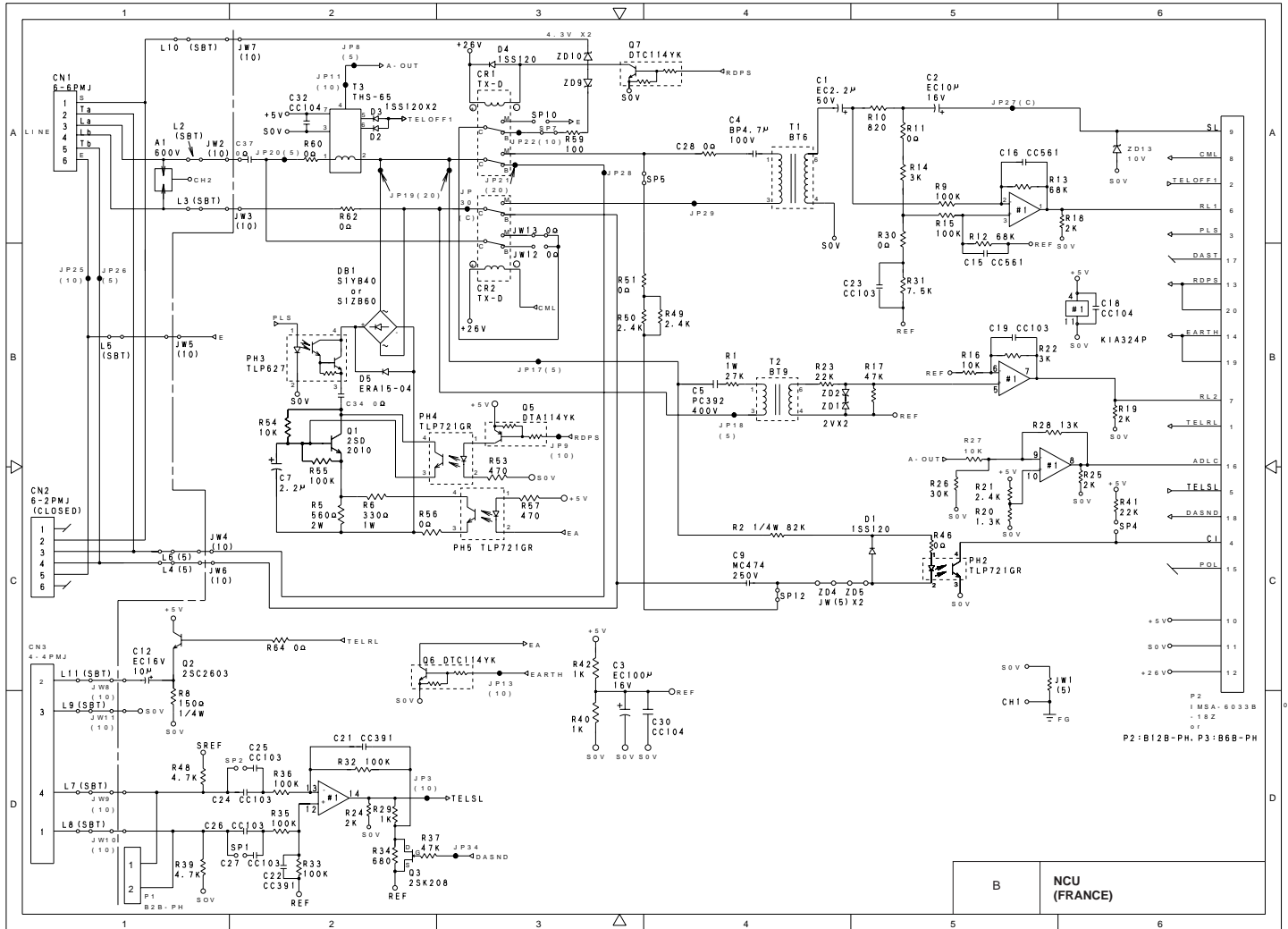




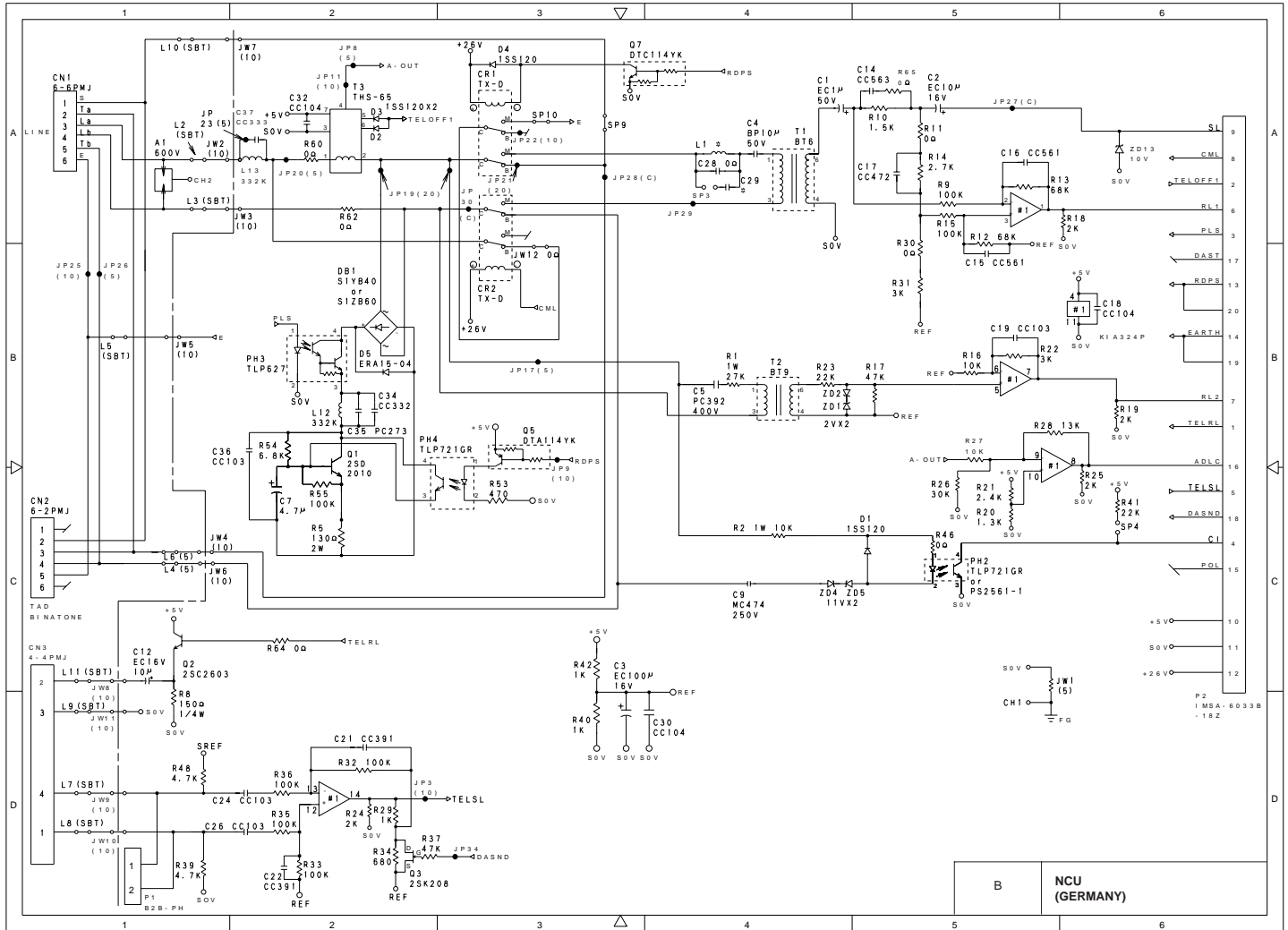
B NCU (SWITZERLAND/AUSTRALIA)



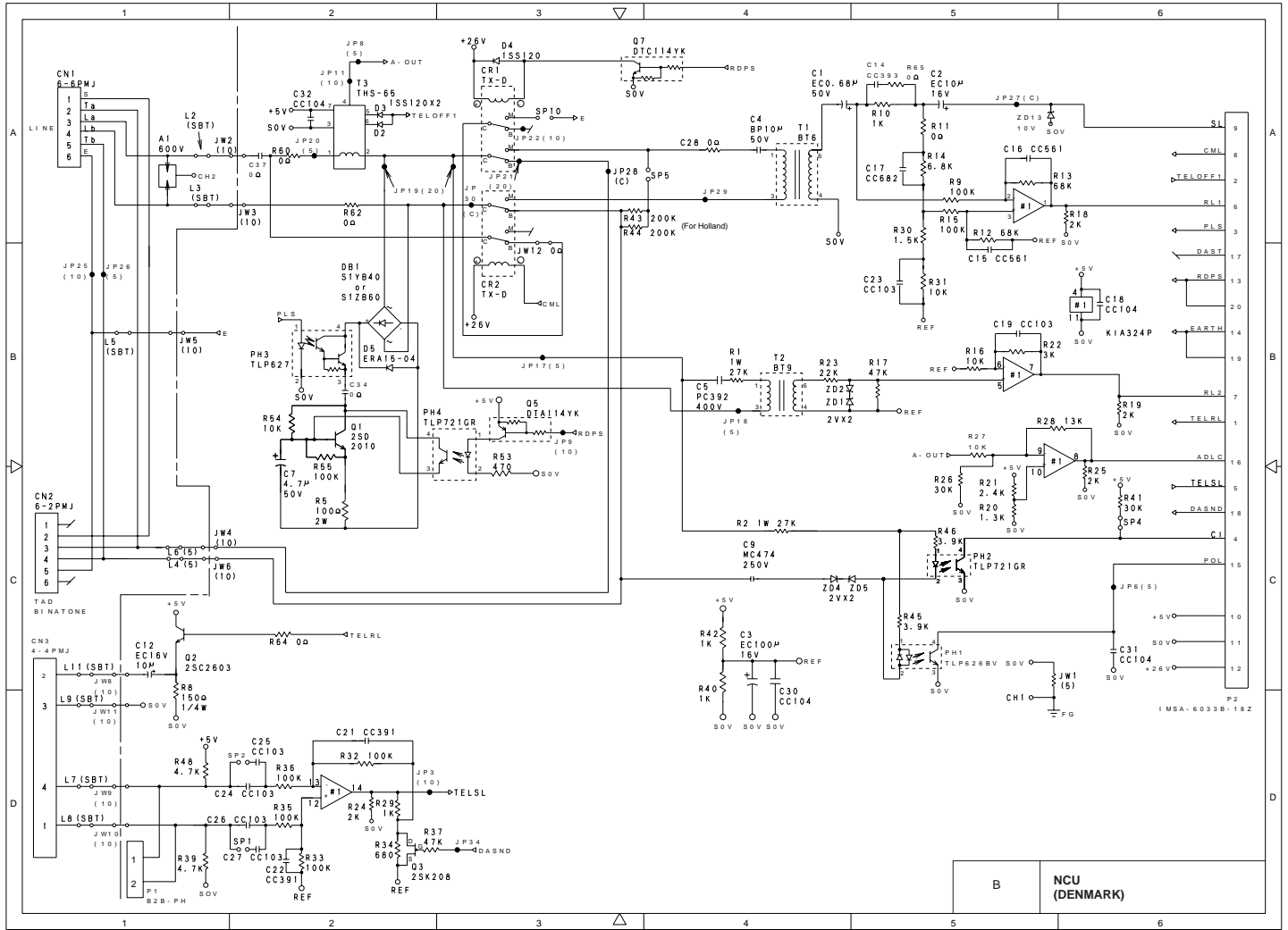




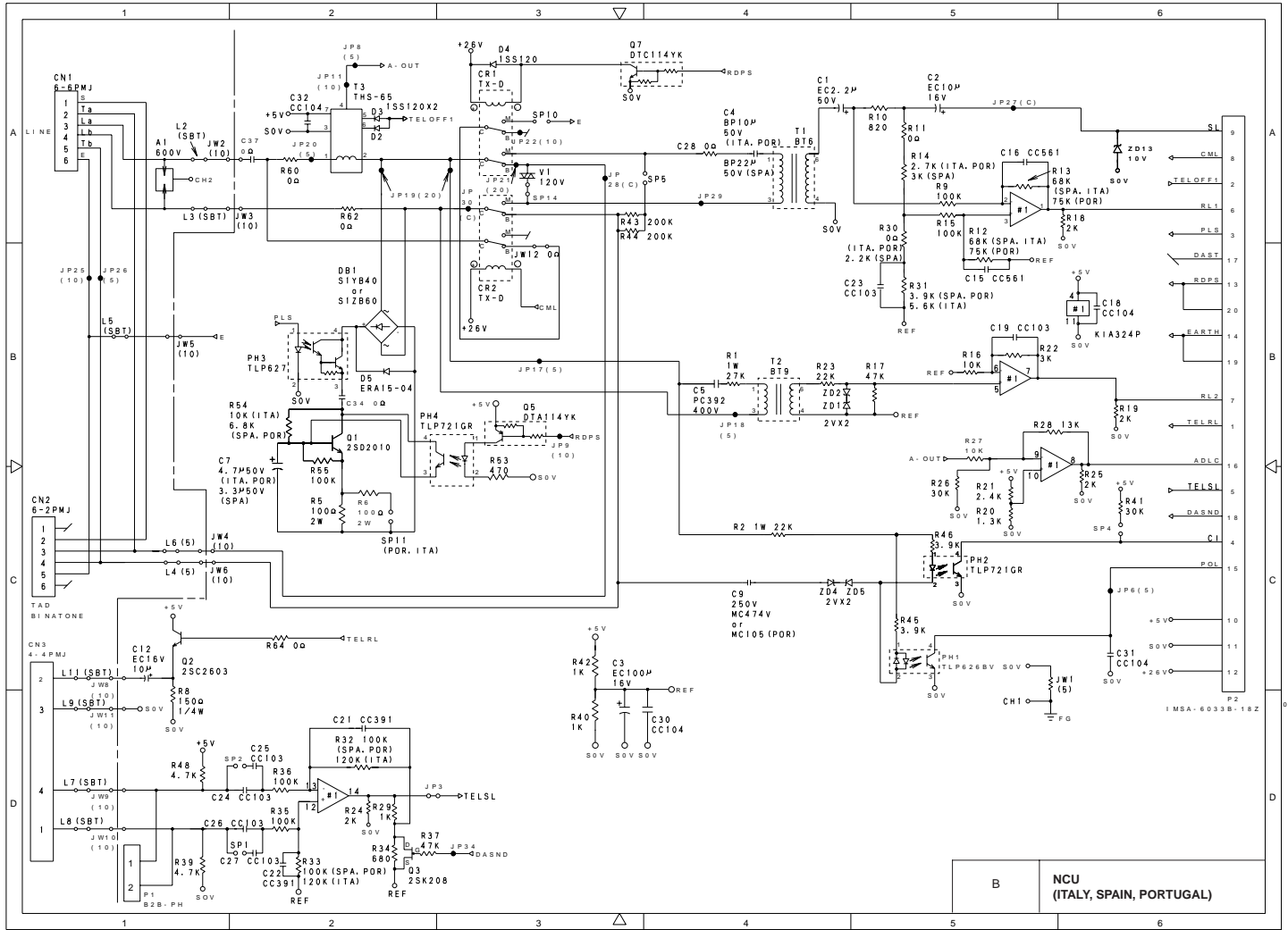
B NCU (FRANCE)

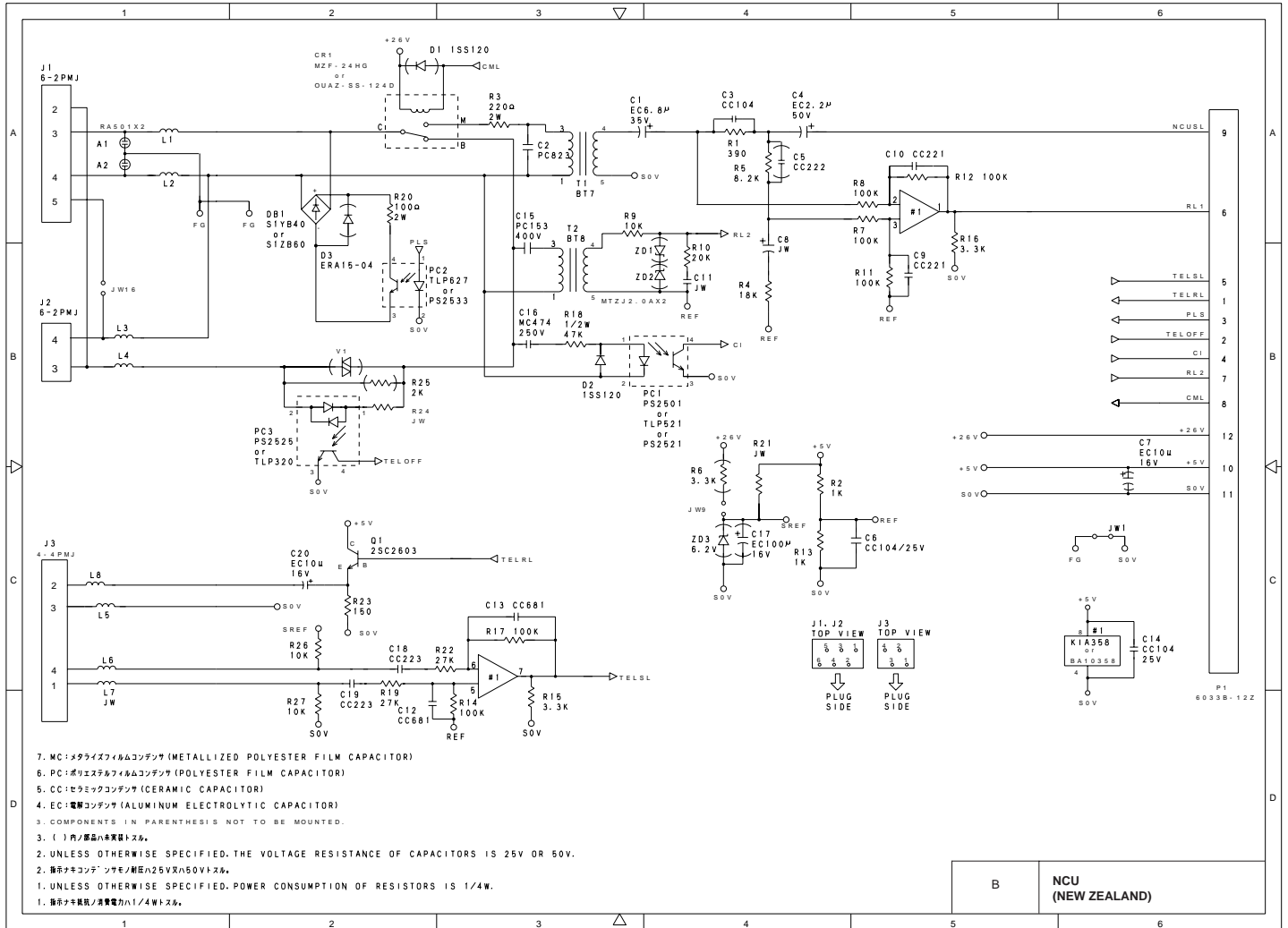


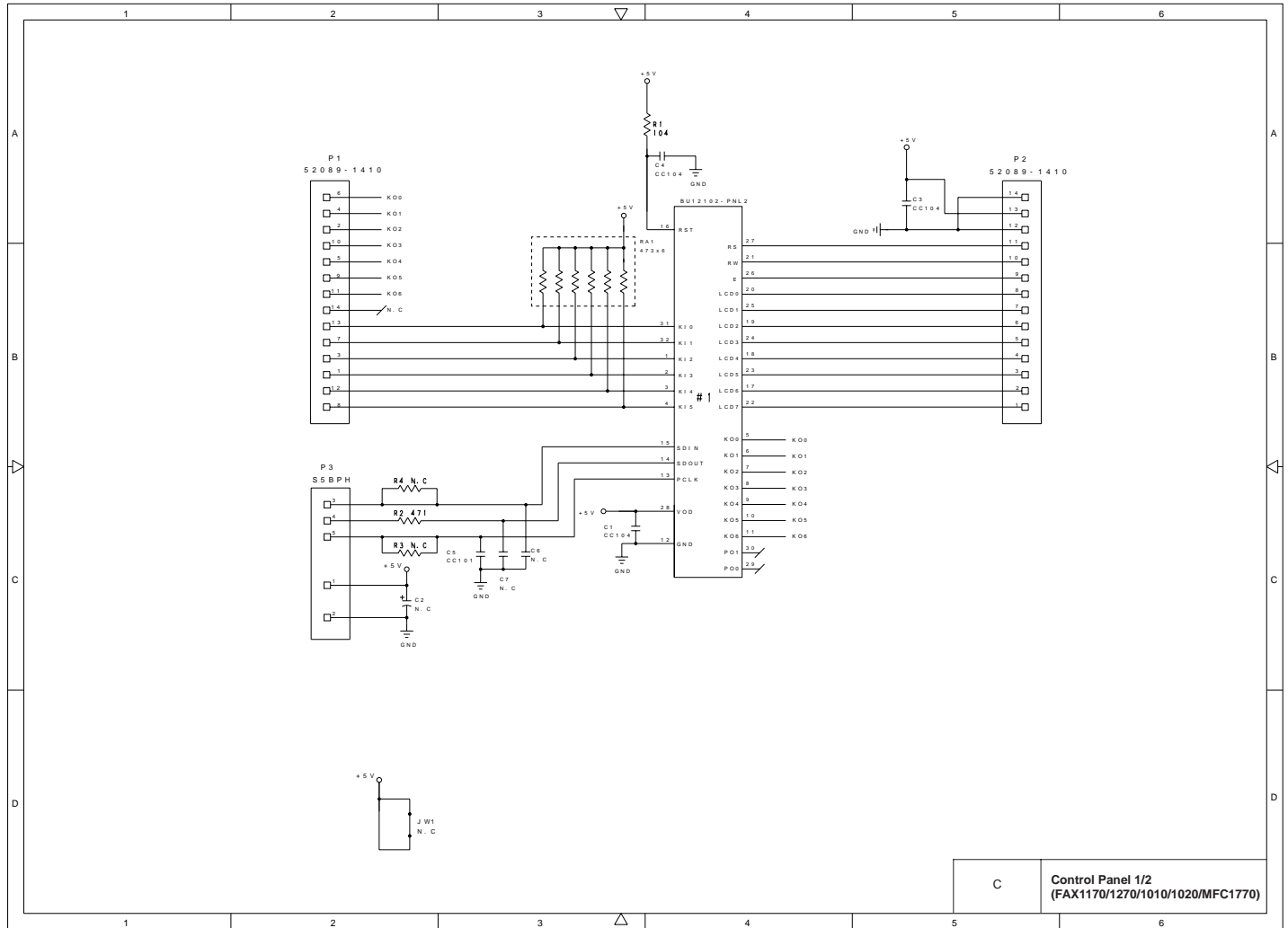
B NCU (GERMANY)



B NCU (DENMARK)







C Control Panel 1/2
(FAX1170/1270/1010/1020/MFC1770)

T3 PANEL KEY MATRIX REFERENCE TABLE 1

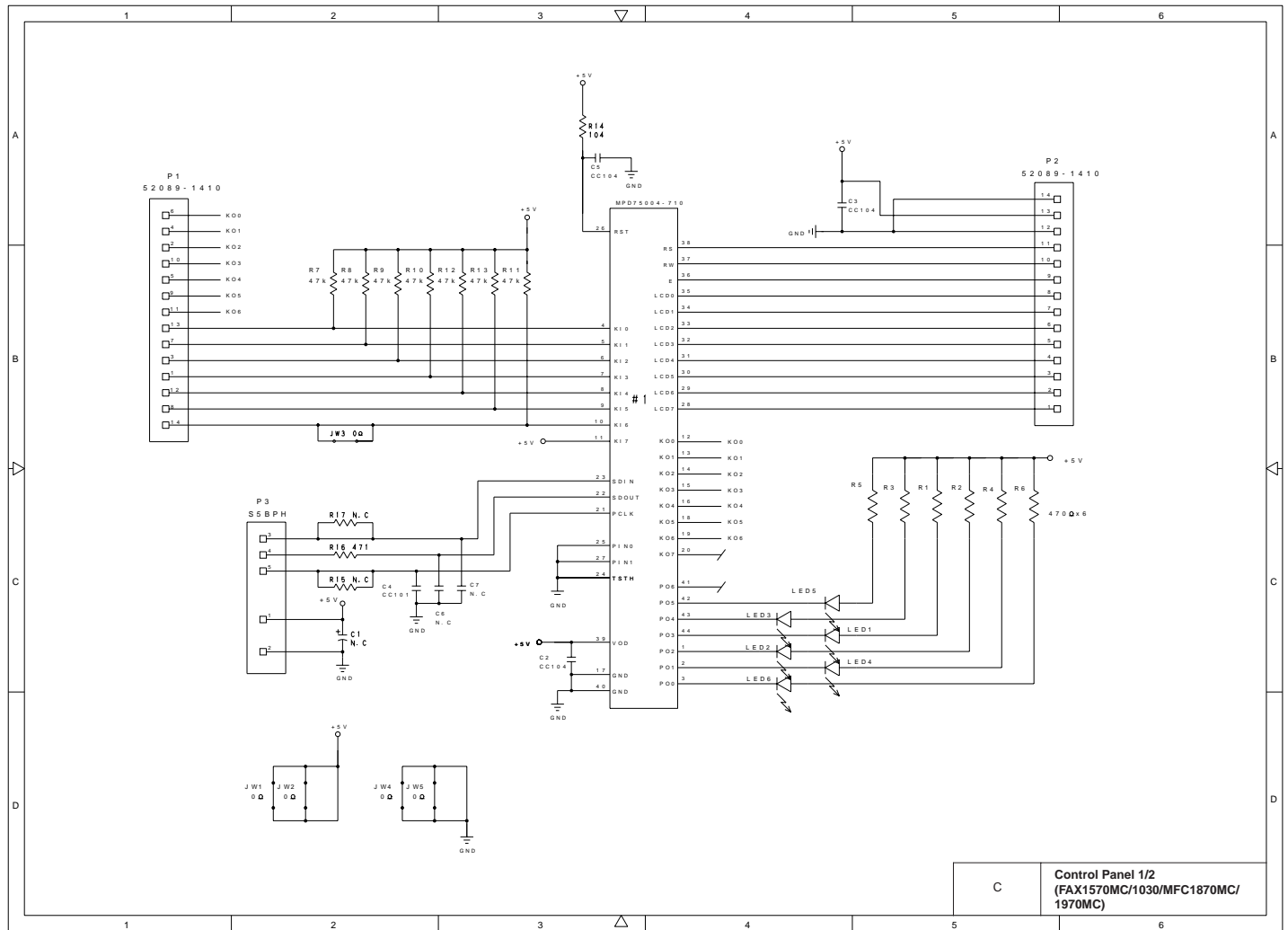
| KEY NO. | KEY NAME MC (CL) | KEY CODE |
|---------|---------------------|----------|
| 1 | FUNCTION | 0C |
| 2 | TEL-INDEX | 14 |
| 3 | RESOLUTION | 0A |
| 4 | MODE | 12 |
| 5 | SUPER Q. SCAN | 13 |
| 6 | HELP | 11 |
| 7 | HOOK | 24 |
| 8 | IOKEY-1 | 22 |
| 9 | IOKEY-2 | 0B |
| 10 | IOKEY-3 | 23 |
| 11 | HOLD | 34 |
| 12 | IOKEY-4 | 32 |
| 13 | IOKEY-5 | 02 |
| 14 | IOKEY-6 | 33 |
| 15 | REDIAL/PAUSE | 04 |
| 16 | IOKEY-7 | 2A |
| 17 | IOKEY-8 | 1A |
| 18 | IOKEY-9 | 03 |
| 19 | SPEED DIAL | 1C |
| 20 | IOKEY-S | 2C |
| 21 | IOKEY-0 | 2B |
| 22 | IOKEY-# | 1B |
| 23 | ITOUCH-1 | 0E |
| 24 | ITOUCH-2 | 26 |
| 25 | ITOUCH-3 | 09 |
| 26 | ITOUCH-4 | 21 |
| 27 | ITOUCH-5 | 36 |
| 28 | ITOUCH-6 | 06 |
| 29 | ITOUCH-7 | 31 |
| 30 | ITOUCH-8 | 01 |
| 31 | SHIFT | 18 |
| 32 | ← | 1E |
| 33 | SET | 2E |
| 34 | CLEAR | 19 |
| 35 | → | 29 |
| 36 | SORT | 0D |
| 37 | ENLARGE/REDUCE | 35 |
| 38 | COPY | 1D |
| 39 | STOP | 2D |
| 40 | START | 15 |

T3 PANEL KEY MATRIX REFERENCE TABLE 2

| | KO0 P1-8P | KO1 P1-4P | KO2 P1-2P | KO3 P1-10P | KO4 P1-5P | KO5 P1-9P | KO6 P1-11P |
|----------------|--------------|--------------|--------------|---------------|--------------|--------------|---------------|
| KI 0 P1-13P | 3 0 | 2 5 | 6 | 3 4 | 2 6 | 3 5 | 2 9 |
| KI 1 P1-7P | 1 3 | 3 | 4 | 1 7 | 8 | 1 6 | 1 2 |
| KI 2 P1-3P | 1 8 | 9 | 5 | 2 2 | 1 0 | 2 1 | 1 4 |
| KI 3 P1-1P | 1 5 | 1 | 2 | 1 9 | 7 | 2 0 | 1 1 |
| KI 4 P1-12P | | 3 6 | 4 0 | 3 8 | | 3 9 | 3 7 |
| KI 5 P1-8P | 2 8 | 2 3 | 3 1 | 3 2 | 2 4 | 3 3 | 2 7 |

C

Control Panel 2/2
(FAX1170/1270/1010/1020/MFC1770)



C Control Panel 1/2
(FAX1570MC/1030/MFC1870MC/
1970MC)

T3-MC PANEL KEY MATRIX REFERENCE TABLE 1

| KEY NO. | KEY NAME MC (CL) | KEY CODE |
|---------|---------------------|----------|
| 1 | MODE | 0C |
| 2 | RESOLUTION | 14 |
| 3 | ← | 0A |
| 4 | SET | 12 |
| 5 | → | 13 |
| 6 | HOOK (フック) | 11 |
| 7 | 10KEY-1 | 24 |
| 8 | 10KEY-2 | 22 |
| 9 | 10KEY-3 | 0B |
| 10 | HOLD (PAUSE) | 23 |
| 11 | 10KEY-4 | 34 |
| 12 | 10KEY-5 | 32 |
| 13 | 10KEY-6 | 02 |
| 14 | REDIAL/PAUSE (HOLD) | 33 |
| 15 | 10KEY-7 | 04 |
| 16 | 10KEY-8 | 2A |
| 17 | 10KEY-9 | 1A |
| 18 | SPEED DIAL (HOOK) | 03 |
| 19 | 10KEY-* | 1C |
| 20 | 10KEY-0 | 2C |
| 21 | 10KEY-# | 2B |
| 22 | FUNCTION | 1B |
| 23 | TEL. INDEX | 0E |
| 24 | HELP | 2E |
| 25 | 1 TOUCH-1 | 09 |
| 26 | 1 TOUCH-2 | 2C |
| 27 | 1 TOUCH-3 | 2E |
| 28 | 1 TOUCH-4 | 29 |
| 29 | 1 TOUCH-5 | 1E |
| 30 | STOP | 2D |
| 31 | COPY | 2A |
| 32 | START | 1E |
| SW1 | MCMODE | 31 |
| SW2 | PLAY | 32 |
| SW3 | ERASE | 33 |
| SW4 | RECORD | 34 |

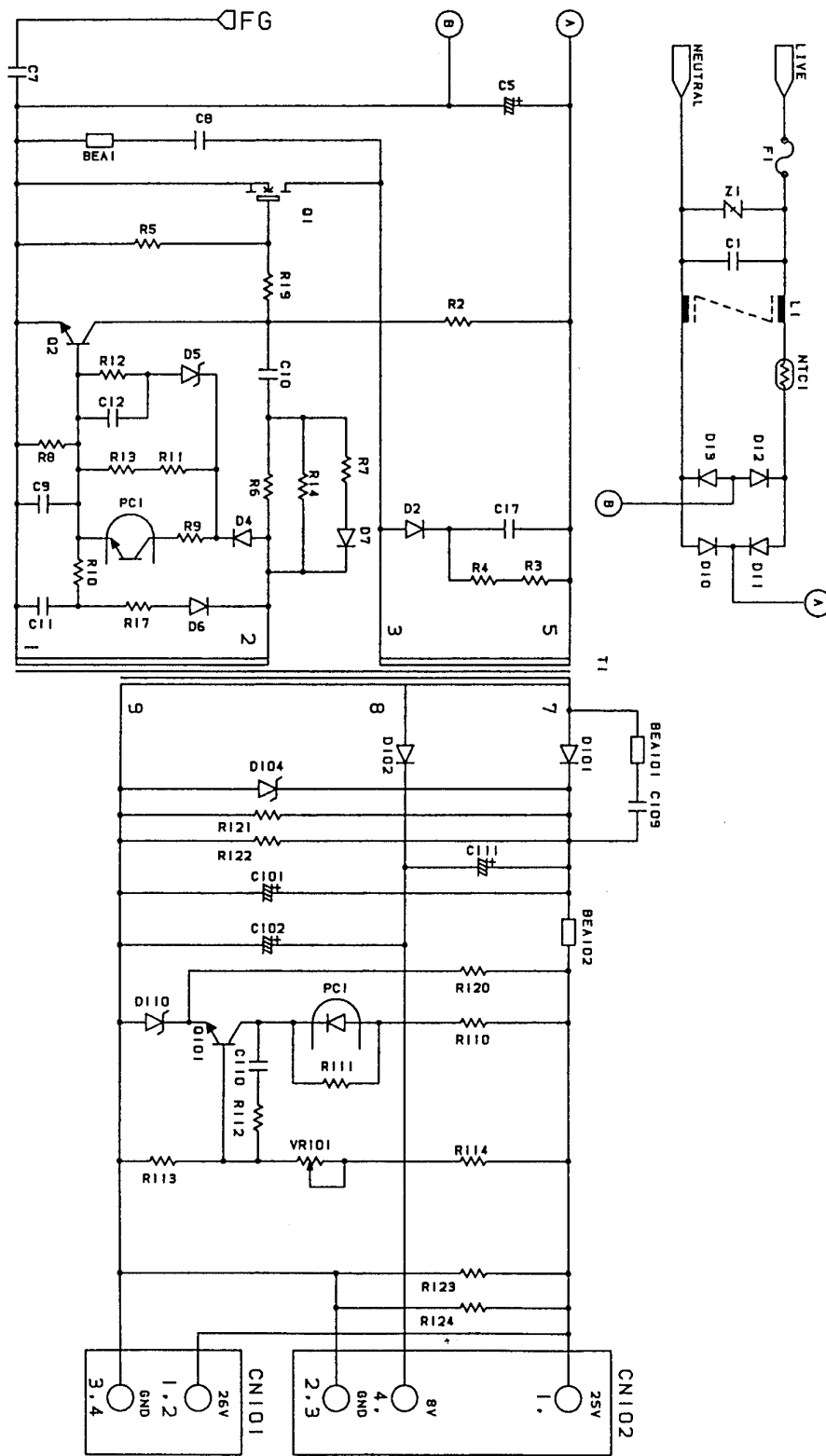
| KEY NO. | KEY NAME MC (CL) | KEY CODE |
|---------|---------------------|----------|
| 37 | MODE | 35 |
| 38 | RESOLUTION | 1D |
| 39 | ← | 2D |
| 40 | SET | 15 |
| 41 | → | 17 |
| 42 | HOOK (フック) | 0F |
| 43 | 10KEY-1 | 27 |
| 44 | 10KEY-2 | 37 |
| 45 | 10KEY-3 | 1F |
| 46 | HOLD (PAUSE) | 2F |
| 47 | 10KEY-4 | 25 |
| 48 | 10KEY-5 | 05 |
| 49 | 10KEY-6 | 07 |

T3-MC PANEL KEY MATRIX REFERENCE TABLE 2

| | KO0 P1-6P | KO1 P1-4P | KO2 P1-2P | KO3 P1-10P | KO4 P1-5P | KO5 P1-9P | KO6 P1-11P |
|----------------|--------------|--------------|--------------|---------------|--------------|--------------|---------------|
| KI 0 P1-13P | 30 | 25 | 6 | 34 | 26 | 35 | 29 |
| KI 1 P1-7P | 13 | 3 | 4 | 17 | 8 | 16 | 12 |
| KI 2 P1-3P | 18 | 9 | 5 | 22 | 10 | 21 | 14 |
| KI 3 P1-1P | 15 | 1 | 2 | 19 | 7 | 20 | 11 |
| KI 4 P1-12P | 48 | 36 | 40 | 38 | 47 | 39 | 37 |
| KI 5 P1-8P | 28 | 23 | 31 | 32 | 24 | 33 | 27 |
| KI 6 P1-14P | 49 | 42 | 41 | 45 | 43 | 46 | 44 |

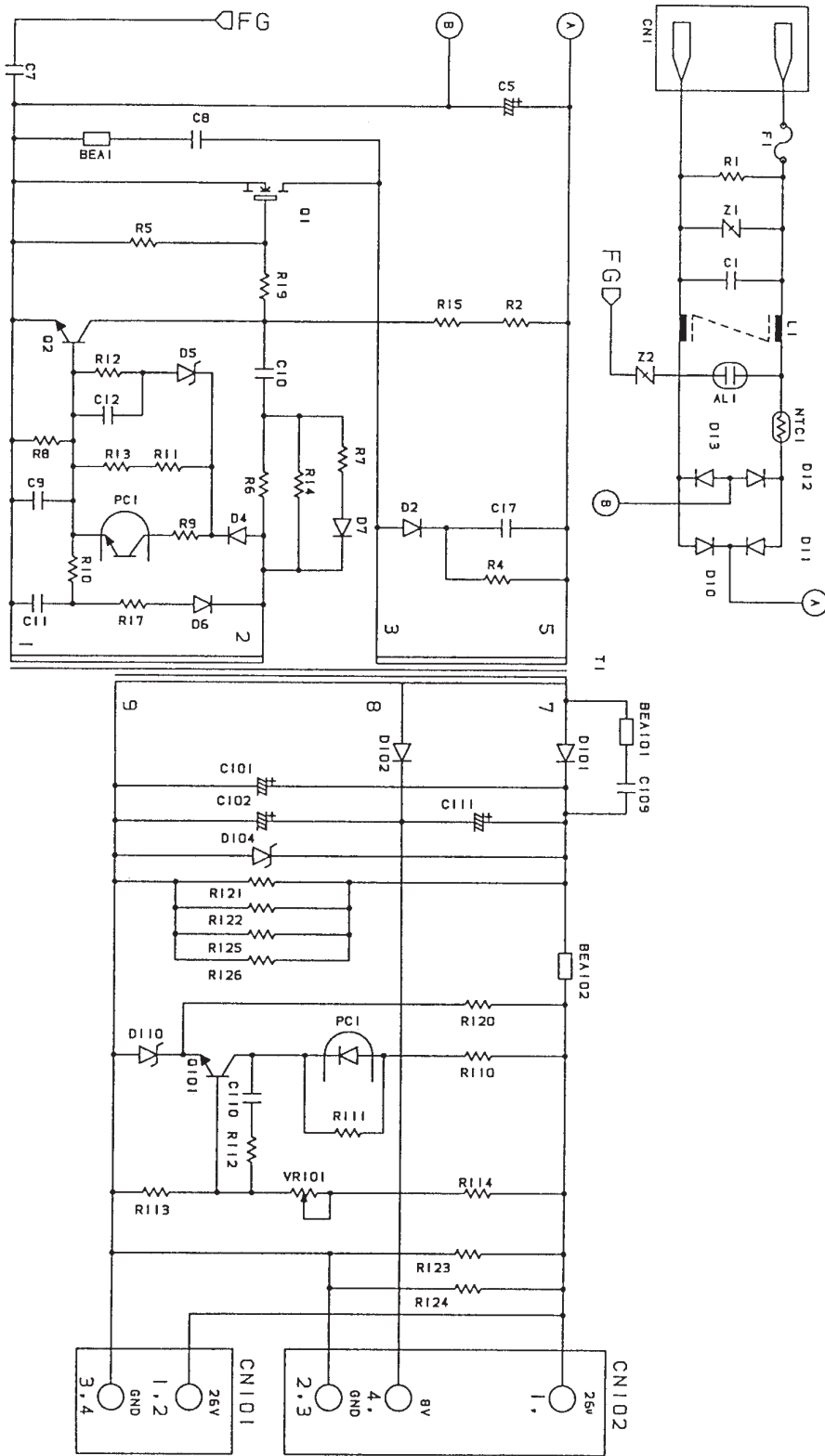
C

Control Panel 2/2
(FAX1570MC/1030/MFC1870MC/
1970MC)



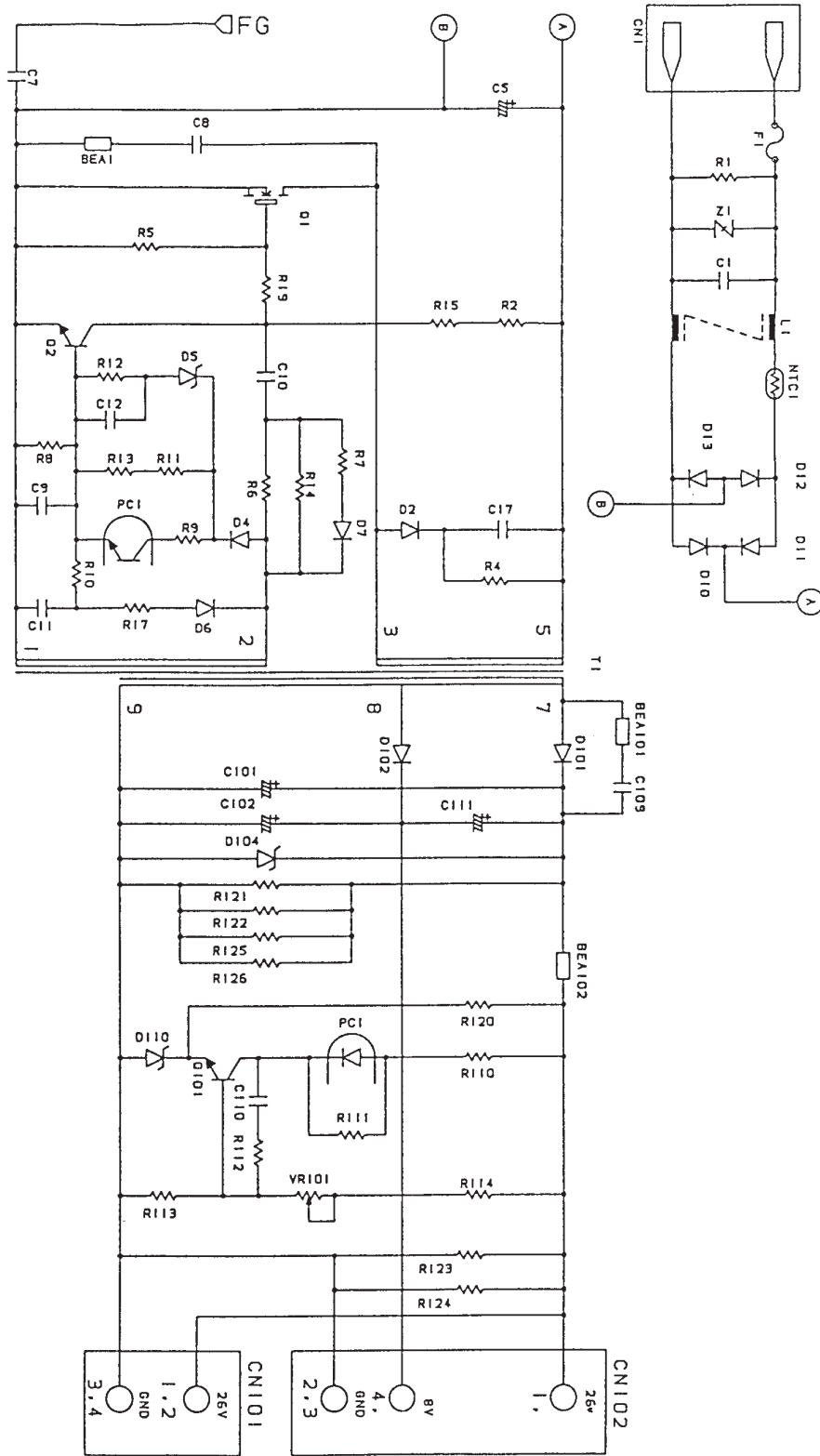
D

Power Supply (100-120V)
U.S.A., CANADA, TAIWAN



D

Power Supply (200-240V)
EUROPE, SOUTH AMERICA



D

Power Supply (200-240V)
GULF, ASIA, CHINA



**FACSIMILE EQUIPMENT
PARTS REFERENCE LIST**

MODEL: FAX1270 / 1570MC / MFC1970MC
**(For South America / China / Asia / Gulf /
Indonesia / India / Taiwan / Hong Kong)**

© Copyright Brother 1997

All rights reserved

No part of this publication may be reproduced in any form
or by any means without permission in writing from the
publisher.

Specifications are subject to change without prior notice.

NOTES FOR USING THIS PARTS REFERENCE LIST

1. In the case of ordering parts, it needs mentioning the following items:

- (1) Code
- (2) Q' ty
- (3) Description

Note: No orders without Parts Code or Tool No. can be accepted.

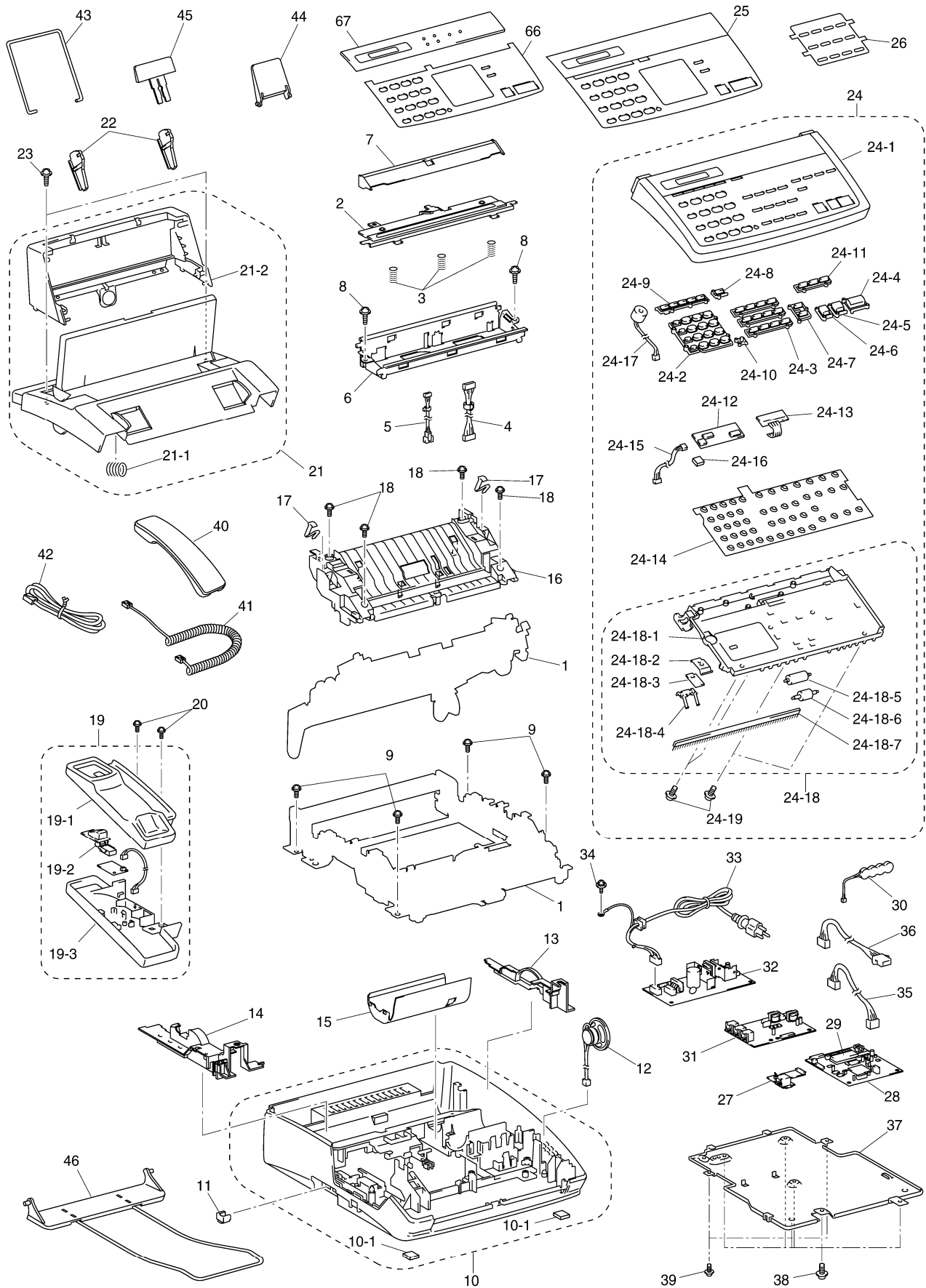
[Example]

| REF.NO. | CODE | Q' TY | DESCRIPTION | REMARKS |
|---------|------|-------|-------------|---------|
| | | | | |

2. Parts change will be informed by the technical information.

COUNTRIES

South America ----- SAM
China ----- CHN
Asia ----- ASA
Gulf ----- GUL
Indonesia ----- IDN
India ----- IND
Taiwan --- TWN
Hong Kong ----- HK



* The parts are newly established to comply with CCIB Standard. <Refer to TI No. FAX98500-FAX98502>

| REF.NO. | CODE | Q'TY | DESCRIPTION | REMARKS |
|---------|-----------|------|--|---------|
| 1 | | | PLATEN FRAME & MAIN FRAME ATTACHMENT | |
| 2 | UF8070001 | 1 | RECORDING HEAD ASSY | |
| 3 | UF8072001 | 3 | SPRING, COMPRESSION | |
| 4 | UG5009001 | 1 | HEAD-MAIN HARNESS | |
| 5 | UG5010001 | 1 | HEAD-POWER KARNESS | |
| 6 | UF8018001 | 1 | RECORDER FRAME | |
| 7 | UF8073001 | 1 | HEAD PROTECTION PLATE | |
| 8 | U24014001 | 2 | TAPTITE, CUP S M3.0X6 | |
| 9 | 087310815 | 4 | TAPTITE, CUP B M3X8 | |
| 10 | UF8140002 | 1 | MAIN COVER, WHITE(1397), FAX1270/1570MC FOR GUL/ASA/CHN/SAM/IND/IDN/HK | |
| 10 | UF8140001 | 1 | MAIN COVER, GRAY(1395), FAX1270 FOR TWN | |
| 10 | UF8140003 | 1 | MAIN COVER, WHITE(1138), MFC1970MC FOR CHN | |
| 10-1 | UF6761001 | 2 | RUBBER | |
| 11 | UF4759000 | 1 | PC I/F COVER FOR GUL/ASA/CHN/SAM/IND/IDN/HK | |
| 11 | UF4759002 | 1 | PC I/F COVER FOR TWN | |
| 12 | UG5092001 | 1 | SPEAKER ASSY FOR FAX1270 | |
| 12 | UG5110001 | 1 | SPEAKER ASSY FOR FAX1570MC,MFC1970MC | |
| 13 | UF8150002 | 1 | SIDE COVER R, WHITE(1397) FOR GUL/ASA/CHN/SAM/IND/IDN/HK | |
| 13 | UF8150001 | 1 | SIDE COVER R, GRAY(1395) FOR TWN | |
| 14 | UF8147002 | 1 | SIDE COVER L, WHITE(1397) FOR GUL/ASA/CHN/SAM/IND/IDN/HK | |
| 14 | UF8147001 | 1 | SIDE COVER L, GRAY(1395) FOR TWN | |
| 15 | UF8154002 | 4 | ROM COVER, WHITE(1397), FAX1270/1570MC, MFC1970MC —FOR GUL/ASA/CHN/SAM/IND/IDN/HK | |
| 15 | UF8154004 | 4 | ROM COVER, GRAY(1395), FAX1270 FOR TWN | |
| 15 | UF8154003 | 4 | ROM COVER, WHITE(1138), MFC1970MC FOR CHN | |
| 15 | UF8151004 | 1 | ROM COVER, GRAY(1267) | |
| 16 | UF8143002 | 1 | INNER COVER, WHITE(1397), FAX1270/1570MC FOR GUL/ASA/CHN/SAM/IND/IDN/HK | |
| 16 | UF8143001 | 1 | INNER COVER, GRAY(1395), FAX1270 FOR TWN | |
| 16 | UF8143003 | 1 | INNER COVER, WHITE(1138), MFC1970MC FOR CHN | |
| 17 | UF5571001 | 2 | PANEL LOCK SPRING | |
| 18 | 087320815 | 4 | TAPTITE, CUP S M3X8 | |
| 19 | UF8164002 | 1 | HANDSET HOLDER ASSY, WHITE(1397), FAX1270/1570MC FOR GUL/ASA/CHN/SAM/IND/IDN/HK | |
| 19 | UF8164001 | 1 | HANDSET HOLDER ASSY, GRAY(1395), FAX1270 FOR TWN | |
| 19 | UF8164003 | 1 | HANDSET HOLDER ASSY, WHITE(1138), MFC1970MC FOR CHN | |
| 19-1 | UF8165002 | 1 | UPPER HANDSET HOLDER, WHITE(1397), FAX1270/1570MC FOR GUL/ASA/CHN/SAM/IND/IDN/HK | |
| 19-1 | UF8165001 | 1 | UPPER HANDSET HOLDER, GRAY(1395), FAX1270 FOR TWN | |
| 19-1 | UF8165003 | 1 | UPPER HANDSET HOLDER, WHITE(1138), MFC1970MC FOR CHN | |
| 19-2 | UF8167002 | 1 | ACTUATOR HOOK, WHITE(1397), FAX1270/1570MC FOR GUL/ASA/CHN/SAM/IND/IDN/HK | |
| 19-2 | UF8167001 | 1 | ACTUATOR HOOK, GRAY(1395), FAX1270 FOR TWN | |
| 19-2 | UF8167003 | 1 | ACTUATOR HOOK, WHITE(1138), MFC1970MC FOR CHN | |
| 19-3 | UF8166002 | 1 | LOWER HANDSET HOLDER, WHITE(1397), FAX1270/1570MC FOR GUL/ASA/CHN/SAM/IND/IDN/HK | |
| 19-3 | UF8166001 | 1 | LOWER HANDSET HOLDER, GRAY(1395), FAX1270 FOR TWN | |
| 19-3 | UF8166003 | 1 | LOWER HANDSET HOLDER, WHITE(1138), MFC1970MC FOR CHN | |
| 20 | 087310815 | 2 | TAPTITE, CUP B M3X8 | |
| 21 | UF8153002 | 1 | RECORDING PAPER COVER ASSY, WHITE(1397), | |

FAX1270/FAX1570MC/MFC1970MC/Ver.G

* The parts are newly established to comply with CCIB Standard. <Refer to TI No. FAX98500-FAX98502>

| REF.NO. | CODE | Q'TY | DESCRIPTION | REMARKS |
|---------|-----------|------|---|---------|
| 21 | UF8153001 | 1 | FAX1270/1570MC FOR GUL/ASA/CHN/SAM/IND/IDN/HK RECORDING PAPER COVER ASSY, GRAY(1395), FAX1270 FOR TWN | |
| 21 | UF8153003 | 1 | RECORDING PAPER COVER ASSY, WHITE(1138) MFC1970MC FOR CHN | |
| 21-1 | UF4418001 | 1 | SPRING, COMPRESSION | |
| 21-2 | UF8155002 | 1 | PAPER REAR COVER, WHITE(1397), FAX1270/1570MC FOR GUL/ASA/CHN/SAM/IND/IDN/HK | |
| 21-2 | UF8155001 | 1 | PAPER REAR COVER, GRAY(1395), FAX1270 FOR TWN | |
| 21-2 | UF8155003 | 1 | PAPER REAR COVER, WHITE(1138), MFC1970MC FOR CHN | |
| 22 | UF8162002 | 2 | PAPER SIDE GUIDE, WHITE(1397) FOR GUL/ASA/CHN/IND/IDN/HK | |
| 22 | UF8162001 | 2 | PAPER SIDE GUIDE, GRAY(1395) FOR TWN | |
| 23 | 087320815 | 2 | TAPTITE, CUP S M3X8 | |
| 24 | UF8168002 | 1 | CONTROL PANEL ASSY, WHITE(1397), FAX1270 FOR GUL/ASA/CHN/SAM/IND/IDN/HK | |
| 24 | UF8168001 | 1 | CONTROL PANEL ASSY, GRAY(1395), FAX1270 FOR TWN | |
| 24 | UF8311002 | 1 | CONTROL PANEL ASSY, WHITE(1397), FAX1570MC FOR GUL/ASA/HK/IDN | |
| 24 | UF8238003 | 1 | CONTROL PANEL ASSY, WHITE(1138), MFC1970MC FOR CHN | |
| 24-1 | UF8171002 | 1 | PANEL COVER, WHITE(1397), FAX1270/1570MC FOR GUL/ASA/CHN/SAM/IND/IDN/HK | |
| 24-1 | UF8171001 | 1 | PANEL COVER, GRAY(1395), FAX1270 FOR TWN | |
| 24-1 | UF8193003 | 1 | PANEL COVER, WHITE(1138), MFC1970MC FOR CHN | |
| 24-2 | UF4393011 | 1 | KEY, TEL, WHITE(1397), FAX1270/1570MC FOR GUL/ASA/CHN/SAM/IND/IDN/HK | |
| 24-2 | UF4393010 | 1 | KEY, TEL, GRAY(1395), FAX1270 FOR TWN | |
| 24-2 | UF4393003 | 1 | KEY, TEL, WHITE(1138), MFC1970MC FOR CHN | |
| 24-3 | UF8176002 | 3 | KEY, ONE TOUCH, WHITE(1397), FAX1270/1570MC FOR GUL/ASA/CHN/SAM/IND/IDN/HK | |
| 24-3 | UF8176001 | 3 | KEY, ONE TOUCH, GRAY(1395), FAX1270 FOR TWN | |
| 24-3 | UF8176003 | 3 | KEY, ONE TOUCH, WHITE(1138), MFC1970MC FOR CHN | |
| 24-4 | UF8172001 | 1 | KEY, START, BLUE(6189), FAX1270/FAX1570MC | |
| 24-4 | UF8172002 | 1 | KEY, START, BLUE(6155), MFC1970MC | |
| 24-5 | UF8173001 | 1 | KEY, STOP, ORANGE(3159) | |
| 24-6 | UF8174001 | 1 | KEY, COPY, GRAY(1267) | |
| 24-7 | UF8179002 | 1 | KEY, COPY MODE, WHITE(1397), FAX1270/1570MC FOR GUL/ASA/CHN/SAM/IND/IDN/HK | |
| 24-7 | UF8179001 | 1 | KEY, COPY MODE, GRAY(1395), FAX1270 FOR TWN | |
| 24-7 | UF8179003 | 1 | KEY, COPY MODE, GRAY(1267), MFC1970MC FOR CHN | |
| 24-8 | UF8177002 | 1 | KEY, MODE, WHITE(1397), FAX1270 FOR GUL/ASA/CHN/SAM/IND/IDN/HK | |
| 24-8 | UF8177001 | 1 | KEY, MODE, GRAY(1395), FAX1270 FOR TWN | |
| 24-8 | UF8177002 | 2 | KEY, MODE, WHITE(1397), FAX1570MC FOR GUL/ASA/IDN/HK | |
| 24-8 | UF8177003 | 2 | KEY, MODE, WHITE(1138), MFC1970MC FOR CHN | |
| 24-9 | UL5712005 | 1 | KEY, OPERATON, WHITE(1397), FAX1270 FOR GUL/ASA/CHN/SAM/IND/IDN/HK | |
| 24-9 | UL5712004 | 1 | KEY, OPERATION, GRAY(1395), FAX1270 FOR TWN | |
| 24-9 | UL5712005 | 2 | KEY, OPERATON, WHITE(1397), FAX1570MC FOR GUL/ASA/IDN/HK | |
| 24-9 | UL5712003 | 2 | KEY, OPERATION, WHITE(1138), MFC1970MC FOR CHN | |
| 24-10 | UF4576007 | 1 | KEY, SHIFT, WHITE(1397), FAX1270/1570MC FOR GUL/ASA/CHN/SAM/IND/IDN/HK | |

FAX1270/FAX1570MC/MFC1970MC/Ver.G

* The parts are newly established to comply with CCIB Standard. <Refer to TI No. FAX98500-FAX98502>

| REF.NO. | CODE | Q'TY | DESCRIPTION | REMARKS |
|---------|-----------|------|--|---------|
| 24-10 | UF4576006 | 1 | KEY, SHIFT, GRAY(1395), FAX1270 FOR TWN | |
| 24-10 | UF4576003 | 1 | KEY, SHIFT, WHITE(1138), MFC1970MC FOR CHN | |
| 24-11 | UF8180002 | 1 | KEY, MC, WHITE(1397), FAX1270/1570MC FOR GUL/ASA/CHN/SAM/IND/IDN/HK | |
| 24-11 | UF8180001 | 1 | KEY, MC, GRAY(1267), FAX1270 FOR TWN | |
| 24-11 | UF8180003 | 1 | KEY, MC, WHITE(1138), MFC1970MC FOR CHN | |
| 24-12 | UG5035001 | 1 | PANEL PCB ASSY FOR FAX1270 | |
| 24-12 | UG5048001 | 1 | PANEL PCB ASSY FOR FAX1570MC,MFC1970MC | |
| 24-13 | UG3062001 | 1 | LCD | |
| 24-14 | UG5021001 | 1 | FPC KEY | |
| 24-15 | UG5018001 | 1 | PANEL-MAIN HARNESS | |
| 24-16 | UF6761001 | 1 | RUBBER | |
| 24-17 | UG5053001 | 1 | MAICROPHONE FOR FAX1570MC,MFC1970MC | |
| 24-18 | UF8178001 | 1 | PANEL REAR COVER ASSY | |
| 24-18-1 | UF8175001 | 1 | PANEL REAR COVER | |
| 24-18-2 | UF5585001 | 1 | ADF SPRING PLATE | |
| 24-18-3 | UF5584000 | 1 | SEPARATION RUBBER | |
| 24-18-4 | UF5586001 | 1 | SPRING PLATE, ADF FRONT | |
| 24-18-5 | UF5587001 | 1 | PRESSURE ROLLER | |
| 24-18-6 | UF8257001 | 1 | EJECTION ROLLER | |
| 24-18-7 | UF8285001 | 1 | ANTI-STATIC BRUSH | |
| 24-19 | 087310815 | 4 | TAPTITE, CUP B M3X8 | |
| 25 | UF8479001 | 1 | PANEL SHEET, FAX1270 FOR CHN | |
| 25 | UF8574001 | 1 | PANEL SHEET, FAX1270 FOR TWN | |
| 25 | UF8194001 | 1 | PANEL SHEET, FAX1270 FOR GUL/ASA/IDN/IND/HK/SAM | |
| 25 | UF8314001 | 1 | PANEL SHEET, FAX1570MC FOR GUL/ASA/HK/IDN | |
| 26 | UF8183002 | 1 | ADDRESS LABEL, FAX1270/1570MC FOR GUL/ASA/CHN/IDN/IND/HK/SAM | |
| 26 | UF8183001 | 1 | ADDRESS LABEL, FAX1270 FOR TWN | |
| 26 | UF8183003 | 1 | ADDRESS LABEL, MFC1970MC FOR CHN | |
| 27 | UG5003001 | 1 | MODULER PCB ASSY FOR FAX1270 | |
| 27 | UG5003002 | 1 | MODULER PCB ASSY FOR FAX1570MC,MFC1970MC | |
| 28 | UG5028001 | 1 | MAIN PCB SUB ASSY, FAX1270 FOR SAM | |
| 28 | UG5059021 | 1 | MAIN PCB SUB ASSY, FAX1270 FOR ASA/CHN/IDN/TWN/HK | |
| 28 | UG5028002 | 1 | MAIN PCB SUB ASSY, FAX1270 FOR GUL | |
| 28 | UG5059024 | 1 | MAIN PCB SUB ASSY, FAX1270 FOR IND | |
| 28 | UG5056012 | 1 | MAIN PCB SUB ASSY, FAX1570MC FOR GUL | |
| 28 | UG5060031 | 1 | MAIN PCB SUB ASSY, FAX1570MC,MFC1970MC FOR ASA/CHN/IDN/HK | |
| 29 | UG2949020 | 1 | ONE TIME PROM:FAX1270 FOR CHN | |
| 29 | UG2949023 | 1 | ONE TIME PROM:FAX1270 FOR TWN | |
| 29 | UG2949040 | 1 | ONE TIME PROM:FAX1270 FOR ASA/HK/IDN | |
| 29 | UG2949045 | 1 | ONE TIME PROM:FAX1270 FOR IND | |
| 29 | UG2922040 | 1 | ONE TIME PROM:FAX1570MC FOR ASA/HK/IDN | |
| 29 | UG2922001 | 1 | ONE TIME PROM:FAX1570MC FOR GUL | |
| 29 | UG2922020 | 1 | ONE TIME PROM:MFC1970MC FOR CHN | |
| 30 | UG3732001 | 1 | BATTERY FOR FAX1570MC, MFC1970MC | |
| 31 | UG3537001 | 1 | NCU PCB ASSY, FAX1270 FOR GUL/SAM | |
| 31 | UG3707023 | 1 | NCU PCB ASSY, FAX1270 FOR TWN | |
| 31 | UG3707040 | 1 | NCU PCB ASSY, FAX1270 FOR ASA/IDN/IND/HK | |
| *31 | UG3707020 | 1 | NCU PCB ASSY, FAX1270 FOR CHN (CCIB) | |
| 31 | UG3661002 | 1 | NCU PCB ASSY, FAX1570MC FOR GUL | |
| 31 | UG3707090 | 1 | NCU PCB ASSY, FAX1570MC,MFC1970MC FOR ASA/IDN/HK | |

FAX1270/FAX1570MC/MFC1970MC/Ver.G

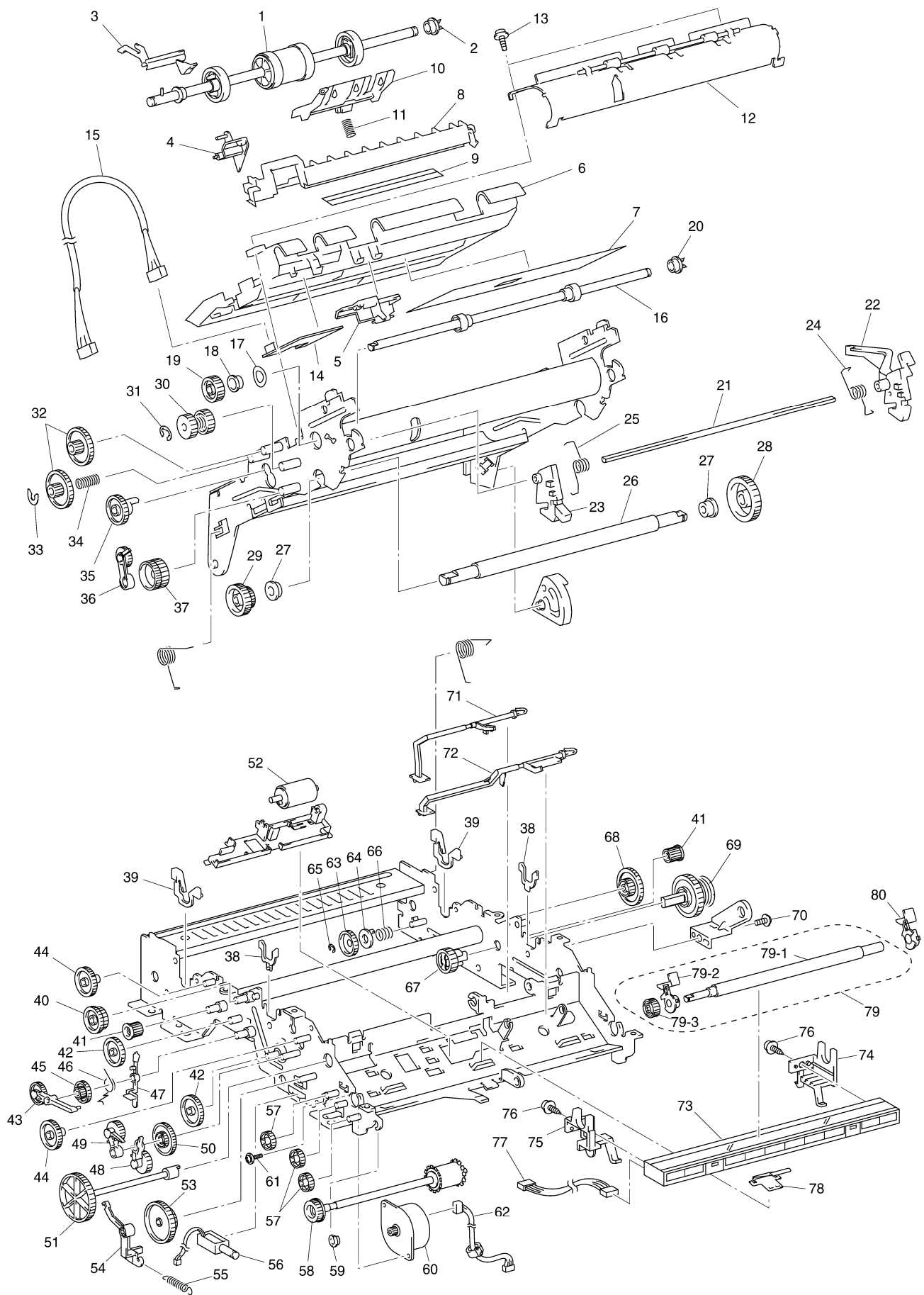
* The parts are newly established to comply with CCIB Standard. <Refer to TI No. FAX98500-FAX98502>

| REF.NO. | CODE | Q'TY | DESCRIPTION | REMARKS |
|---------|-----------|------|---|---------|
| *31 | UG3707070 | 1 | NCU PCB ASSY, MFC1970MC FOR CHN (CCIB) | |
| 32 | UG5061001 | 1 | POWER SUPPLY PCB ASSY FOR SAM | |
| 32 | UG5063001 | 1 | POWER SUPPLY PCB ASSY FOR ASA/GUL/IDN/IND/HK | |
| *32 | UG5063002 | 1 | POWER SUPPLY PCB ASSY FOR CHN (CCIB) | |
| 32 | UG5093001 | 1 | POWER SUPPLY PCB ASSY FOR TWN (WITH AC CORD ASSY) | |
| 33 | UG3383001 | 1 | AC CORD ASSY FOR SAM | |
| 33 | UG3742001 | 1 | AC CORD ASSY FOR CHN | |
| 33 | UG3304001 | 1 | AC CORD ASSY FOR HK/ASA | |
| 33 | UG3308001 | 1 | AC CORD ASSY FOR GUL/IDN | |
| 33 | UG3623001 | 1 | AC CORD ASSY FOR IND | |
| 34 | UF4444001 | 1 | SCREW, PAN(P WASHER) M4X6 | |
| 35 | UG5019001 | 1 | POWER-MAIN HARNESS | |
| 36 | UG5051001 | 1 | POWER-HEAD HARNESS | |
| 37 | UF8152001 | 1 | LOWER PLATE, FAX1270/1570MC,MFC1970MC FOR GUL/ASA/CHN/IDN/IND/HK/SAM | |
| 37 | UF8490001 | 1 | LOWER PLATE, FAX1270 FOR TWN | |
| 38 | 087310815 | 6 | TAPTITE, CUP B M3X8 | |
| 39 | U24014001 | 2 | TAPTITE, CUP S M3X6 | |
| 40 | UF6857001 | 1 | HANDSET, GRAY(1395), FAX1270 FOR TWN | |
| 40 | UF6857002 | 1 | HANDSET, WHITE(1397), FAX1270/1570MC FOR GUL/ASA/CHN/IDN/IND/HK/SAM | |
| 40 | UF6857003 | 1 | HANDSET, WHITE(1138), MFC1970MC FOR CHN | |
| 41 | UL8019007 | 1 | HANDSET CURLED CORD ASSY, GRAY(1395) FOR TWN | |
| 41 | UL8019009 | 1 | HANDSET CURLED CORD ASSY, WHITE(1255) FOR SAM/GUL/CHN/HK/ASA/IDN/IND | |
| 42 | UG3290001 | 1 | TELEPHONE LINE CORD FOR HK | |
| 42 | UG1570001 | 1 | TELEPHONE LINE CORD FOR SAM/GUL/ASA/IDN/IND/CHN | |
| 43 | UL6856000 | 1 | TRAY EXTENSION | |
| 44 | UF8048001 | 1 | RECORDING PAPER SUPPORT, GRAY(1333) | |
| 45 | UF8247001 | 1 | DOCUMENT SUPPORT, GRAY(1333) | |
| 46 | UF8246001 | 1 | DOCUMENT EJECTION TRAY ASSY | |
| (47) | UF8060001 | 1 | RIBBON CASSETTE UNIT | |
| (47-1) | UF8064001 | 1 | STARTER RIBBON(30M) | |
| (48) | UF2933001 | 1 | CARRIER SHEET ASSY FOR CHN | |
| (49) | UF8519001 | 1 | DUST COVER FOR CHN/ASA/GUL/IDN/IND/HK/TWN | |
| (50) | UF8306001 | 2 | TH PROTECTION PAPER | |
| (51) | UF8286001 | 1 | MYLAR LABEL, FAX1270 FOR SAM | |
| (51) | UF8320004 | 4 | MYLAR LABEL, FAX1570MC FOR ASA/GUL/IDN | |
| (52) | UF8480001 | 1 | OWNER'S MANUAL, FAX1270 FOR CHN | |
| (52) | UF8576001 | 1 | OWNER'S MANUAL, FAX1270 FOR TWN | |
| (52) | UF8324001 | 1 | OWNER'S MANUAL, FAX1270/1570MC FOR ASA/GUL/IDN/IND/HK (ENGLISH) | |
| (52) | UF8561001 | 1 | OWNER'S MANUAL, FAX1270 FOR HK (CANTONESE) | |
| (52) | UF8184001 | 1 | OWNER'S MANUAL, FAX1270 FOR SAM | |
| (52) | UF0727001 | 1 | OWNER'S MANUAL, MFC1970MC FOR CHN | |
| (53) | UF5174001 | 1 | WARRANTY CARD FOR CHN | |
| (53) | UF8575001 | 1 | WARRANTY CARD FOR TWN | |
| (53) | UF4238001 | 1 | WARRANTY CARD FOR HK | |
| (54) | UF8296001 | 1 | QUICK REFERENCE GUIDE, FAX1270 FOR SAM | |
| (54) | UF8325001 | 1 | QUICK REFERENCE GUIDE, FAX1270 FOR ASA/GUL/IDN/IND/HK (ENGLISH) | |
| (54) | UF8563001 | 1 | QUICK REFERENCE GUIDE, FAX1270 FOR HK (CANTONESE) | |
| (54) | UF8326001 | 1 | QUICK REFERENCE GUIDE, FAX1270 FOR GUL(ARABIC) | |

FAX1270/FAX1570MC/MFC1970MC/Ver.G

* The parts are newly established to comply with CCIB Standard. <Refer to TI No. FAX98500-FAX98502>

| REF.NO. | CODE | Q'TY | DESCRIPTION | REMARKS |
|-----------------|----------------------|--------------|--|---------|
| (54) | UF8470001 | 1 | QUICK REFERENCE GUIDE, FAX1570MC FOR HK/GUL/ASA/IDN (ENGLISH) | |
| (54) | UF8571001 | 1 | QUICK REFERENCE GUIDE, FAX1570MC FOR HK (CANTONESE) | |
| (54) | UF8471001 | 1 | QUICK REFERENCE GUIDE, FAX1570MC (ARABIC) FOR GUL/IDN | |
| (55) | UF8297001 | 1 | REMOTE CONTROL GUIDE FOR FAX1270 | |
| (55) | UF8299001 | 1 | REMOTE CONTROL GUIDE FOR FAX1570MC | |
| (56) | UE1537001 | 1 | CARTON, BROTHER FAX1270 FOR SAM | |
| (56) | UE1678001 | 1 | CARTON, BROTHER FAX1270 FOR CHN | |
| (56) | UE1736001 | 1 | CARTON, BROTHER FAX1270 FOR TWN | |
| (56) | UE1643001 | 1 | CARTON, BROTHER FAX1270 FOR ASA/GUL/IDN/IND/HK | |
| (56) | UE1665001 | 1 | CARTON, BROTHER FAX1570MC FOR HK/ASA/GUL/IDN | |
| (56) | UE1775001 | 1 | CARTON, BROTHER MFC1970MC FOR CHN | |
| (57) | UE1511001 | 1 | STYROFARM | |
| (58) | UE1660001 | 1 | BAG, 620X800H (FOR MACHINE) | |
| (59) | UE1514001 | 1 | ACCESSORY BOX | |
| (60) | UF8263001 | 1 | TEST CHART-027 | |
| (60) | UF9333001 | 1 | TEST CHART-028 | |
| (61) | UF8997001 | 1 | ADJUSTING SHEET, A | |
| (62) | UF2913001 | 1 | MULTI FUNCTION LINK MANUAL, MFC1970MC FOR CHN | |
| (63) | UF8469001 | 1 | MESSAGE CENTER MANUAL, FAX1570MC FOR HK/ASA/GUL/IDN (ENGLISH) | |
| (63) | UF8570001 | 1 | MESSAGE CENTER MANAUL, FAX1570MC FOR CHN/HK (CANTONESE) | |
| (63) | UF0728004 | 4 | MESSAGE CENTER MANUAL, MFC1970MC FOR CHN | |
| (64) | UF3999001 | 1 | GROUNDING WIRE ASSY, FAX1270 FOR TWN | |
| (65) | UG3468000 | 1 | BT-MJ ADAPTER, FAX1270/1570MC FOR HK | |
| 66 | UF0724001 | 1 | PANEL SHEET, MFC1970MC FOR CHN | |
| 67 | UF0726001 | 1 | LCD PLATE, MFC1970MC FOR CHN | |



1. PLATEN FRAME & MAIN FRAME ATTACHMENT

| REF.NO. | CODE | Q'TY | DESCRIPTION | REMARKS |
|---------|-----------|------|--|---------|
| 1 | UF8116001 | 1 | PAPER FEED ROLLER ASSY | |
| 2 | UF0026001 | 1 | PAWLED BEARING | |
| 3 | UF8118001 | 1 | PAPER FRONT COVER SENSING ACTUATOR | |
| 4 | UF8111001 | 1 | PAPER-EDGE SENSOR ACTUATOR | |
| 5 | UF8112001 | 1 | PAPER EJECTION SENSOR ACTUATOR | |
| 6 | UF8109001 | 1 | PAPER FEED CHUTE ASSY (INCLUDING PAPER FEED CHUTE, CHUTE FILM, PAPER FEED SUB CHUTE, SUB CHUTE FILM, SEPARATION PAD, SPRING, SENSOR PCB ASSY, SENSOR-MAIN HARNESS, PAPER EDGE SENSOR ACTUATOR, AND PAPER EJECTION SENSOR ACTUATOR) | |
| 7 | UF8139001 | 1 | CHUTE FILM | |
| 8 | UF8104001 | 1 | PAPER FEED SUB CHUTE | |
| 9 | UF8249001 | 1 | SUB CHUTE FILM | |
| 10 | UF8265001 | 1 | SEPARATION PAD | |
| 11 | UL5184001 | 1 | SPRING, COMPRESSION | |
| 12 | UF8086001 | 1 | CHUTE ASSY | |
| 13 | 087320815 | 2 | TAPTITE, CUP S M3X8 | |
| 14 | UG5000001 | 1 | SENSOR PCB ASSY | |
| 15 | UG5014001 | 1 | SENSOR-MAIN HARNESS | |
| 16 | UF0761001 | 1 | PAPER EJECTION ROLLER | |
| 17 | UF8090001 | 1 | CURVED WASHER | |
| 18 | UF8105001 | 1 | BUSHING | |
| 19 | UF6048000 | 1 | GEAR, 40 | |
| 20 | UF0026001 | 1 | PAWLED BEARING | |
| 21 | UF8505001 | 1 | LOCK LEVER SHAFT | |
| 22 | UF8506001 | 1 | LOCK LEVER R | |
| 23 | UF8504001 | 1 | LOCK LEVER L | |
| 24 | UF8126001 | 1 | LOCK SPRING R | |
| 25 | UF8125001 | 1 | LOCK SPRING L | |
| 26 | UF8095001 | 1 | PLATEN | |
| 27 | UF8097001 | 2 | BUSHING | |
| 28 | UF8101001 | 1 | GEAR,33 RB | |
| 29 | UF8098001 | 1 | GEAR,23 | |
| 30 | UF8076001 | 1 | CLUTCH GEAR ASSY | |
| 31 | 048030345 | 1 | RETAINING RING, E3 | |
| 32 | UF8094001 | 2 | GEAR,18/41 | |
| 33 | UF8088001 | 1 | PLASTIC RETAINING RING | |
| 34 | UF8087001 | 1 | SPRING, COMPRESSION | |
| 35 | UF8122001 | 1 | GEAR,55 | |
| 36 | UF8123001 | 1 | PLATEN GEAR,34 | |
| 37 | UF8093001 | 1 | GEAR,39/24 | |
| 38 | UF3665000 | 2 | RIBBON BUSHING | |
| 39 | UF8013001 | 2 | PAWLED RIBBON BUSHING B | |
| 40 | UF8039001 | 1 | GEAR,33/45 | |
| 41 | UF8025001 | 2 | GEAR,18 | |
| 42 | UF8034001 | 2 | GEAR,39 | |
| 43 | UF8046001 | 1 | ARM C ASSY | |
| 44 | UF8036001 | 2 | GEAR,33 | |
| 45 | UF8040001 | 1 | GEAR,36/27 | |
| 46 | UF8149001 | 1 | ACTUATOR SPRING | |
| 47 | UF8148001 | 1 | COVER SENSOR ACTUATOR | |
| 48 | UF8030001 | 1 | ARM A ASSY | |
| 49 | UF8032001 | 1 | ARM B ASSY | |
| 50 | UF8029001 | 1 | GEAR,20/90 | |

1. PLATEN FRAME & MAIN FRAME ATTACHMENT

| REF.NO. | CODE | Q'TY | DESCRIPTION | REMARKS |
|---------|-----------|------|---|---------|
| 51 | UF8035001 | 1 | SEPARATION ROLLER GEAR | |
| 52 | UF5511001 | 1 | SEPARATION ROLLER | |
| 53 | UF8037001 | 1 | GEAR,20/40 | |
| 54 | UF8038001 | 1 | CLUTCH LEVER | |
| 55 | UF6664001 | 1 | SPRING, EXTENSION | |
| 56 | UG3086001 | 1 | SOLENOID | |
| 57 | UF6616000 | 3 | GEAR, 14/20 | |
| 58 | UF8144001 | 1 | DOCUMENT EJECTION ROLLER | |
| 59 | UF8146001 | 1 | BUSHING | |
| 60 | Z26436001 | 1 | MOTOR | |
| 61 | U09759001 | 1 | SCREW, PAN (S/P WASHER) M3X6 | |
| 62 | UG5012001 | 1 | MOTOR-MAIN HARNESS | |
| 63 | UF6069000 | 1 | SLIP GEAR, 40 | |
| 64 | UF6067001 | 1 | FRICITION PAD | |
| 65 | 048030345 | 1 | RETAINING RING, E3 | |
| 66 | UF8043001 | 1 | BACK TENSION SPRING | |
| 67 | UF8028001 | 1 | GEAR,24 | |
| 68 | UF8037001 | 1 | GEAR,20/40 | |
| 69 | UF8023001 | 1 | FRICITION TORQUE TRANSMISSION ASSY (GEAR,46 ASSY) | |
| 70 | U24014001 | 1 | TAPTITE, CUP S M3.0X6 | |
| 71 | UF8022001 | 1 | DOCUMENT FRONT SENSOR ACTUATOR | |
| 72 | UF8024001 | 1 | DOCUMENT REAR SENSOR ACTUATOR | |
| 73 | UG5064001 | 1 | CIS UNIT | |
| 74 | UF8578001 | 1 | CIS HOLDER R | |
| 75 | UF8579001 | 1 | CIS HOLDER L | |
| 76 | 087310815 | 2 | TAPTITE, CUP B M3X8 | |
| 77 | UG5013001 | 1 | CIS-MAIN HARNESS | |
| 78 | UF8041001 | 1 | CIS LEAF SPRING | |
| 79 | UF8053001 | 1 | WHITE PRESSURE ROLLER ASSY | |
| 79-1 | UF8054001 | 1 | WHITE PLATEN | |
| 79-2 | UF8056001 | 1 | BUSHING L | |
| 79-3 | UF8057001 | 1 | WHITE PLATEN GEAR | |
| 80 | UF8058001 | 1 | BUSHING R | |

brother®

BROTHER Technical Information

FAX Div.

Urgent & Important Issue For OEM

Technical Information No.

FAX98196

Issue Date

June/9/1998

Approval dated

Aug/11/1998

Model: FAX1270, FAX1570MC, MFC1770,
MFC1870MC, MFC1970MC, MFP6100,
FAX1010, FAX1020, BF70, MFC1025,
FAX1030, F4200

For: U.S.A, CANADA(BILINGUAL),
CHINA, HONG KONG, SOUTH AMERICA,
ASIA, GULF, INDONESIA, INDIA, TAIWAN,
CANADA, AUSTRALIA, NEW ZEALAND,
GERMANY, SWITZERLAND, U.K., FRANCE,
NORWAY, BELGIUM, NETHERLANDS,
IRELAND, FINLAND, DENMARK, AUSTRIA,
SPAIN, ITALY, ISRAEL, PORTUGAL, SOUTH
AFRICA, SWEDEN

Series: T3

Fault Report

SUBJECT:

Cleaning Kit ASSY

- **Description:**
The cleaning kit ASSY is newly added. This kit is used to remove dirt or foreign materials from the ejection roller.
- **Invention Result/Cause:**
For stable document ejection by the ejection roller
- **Defect Rate by BIL:**
N/A
- **Serial Information by BIUK:**

Countermeasure

**Model: FAX1270, FAX1570MC, FMC1770, MFC1870MC, MFC1970MC, MFP6100,
FAX1010, FAX1020, BF70, MFC1025, FAX1030, F4200**

Part Code Change Yes No Parts List Change Yes No Service Manual Change Yes No

| Ref. No. | Old Part Code | Q'ty | Description | New Part Code | Q'ty | Description |
|----------|---------------|------|-------------|---------------|------|-------------------|
| | | | | UF2647001 | 1 | CLEANING KIT ASSY |

Old Revision:

New Revision:

Compatibility: 0: Incompatible 1: Replaceable from Old to New
 2: Compatible between Old and New Newly Established

Serial No.:

Treatment of Old Parts in stock: Use Scrap Other

Treatment of Old Parts for refurbishing: Use Not Use

Remarks: Reference No. (67) for FAX1270/FAX1570/MFC1770/MFC1870MC/MFC1970MC, No. (71) for FAX1010/FAX1020/FAX1030, No. (52) for MFP6100, No. (62) for MFC1025, No. (56) for BF70, No.(59) for F4200 and No.(66) for MFP6100.

BROTHER Technical Information

FAX Div.

Urgent & Important Issue For OEM

Technical Information No. **Issue Date** **Approval dated**
FAX98822 Dec/22/1998 Feb/4/1999

Model: FAX1270, FAX1570MC, MFC1970MC, BF70, F4200 **For:** CHINA, HONG KONG, SOUTH AMERICA, ASIA, GULF, INDONESIA, INDIA, AUSTRALIA, NEW ZEALAND

Series: T3

Fault Report

SUBJECT:

ROM Cover

- **Description:**
Colors of ROM cover are unified to one color.
- **Invention Result/Cause:**
Common use of one kind part.
- **Defect Rate by BIL:**
N/A
- **Serial Information by BIUK:**

Countermeasure

Model:FAX1270/1570MC, MFC1970MC, BF70, F4200

Part Code Change Yes No Parts List Change Yes No Service Manual Change Yes No

| Ref. No. | Old Part Code | Q'ty | Description | New Part Code | Q'ty | Description |
|----------|---------------|------|------------------------|---------------|------|-----------------------|
| | UF8151002 | 1 | ROM COVER, WHITE(1397) | UF8151004 | 1 | ROM COVER, GRAY(1267) |

Old Revision:

New Revision:

Compatibility: 0: Incompatible 1: Replaceable from Old to New
 2: Compatible between Old and New Newly Established

Serial Information by BIL: MFC1970MC: B95794383

Treatment of Old Parts in stock: Use Scrap Other

Treatment of Old Parts for refurbishing: Use Not Use

Remarks: MFC1970 for ARL: REF.NO. 17
Other models : REF.NO. 15

.....

BROTHER Technical Information

FAX Div.

Urgent & Important Issue For OEM

Technical Information No.

FAX98627

Issue Date

Nov/20/1998

Approval dated

Dec/7/1998

Model: FAX1170, FAX1270, FAX1570MC,
MFC1770, MFC1870MC, MFC1970MC,
MFP6100, FAX1010, FAX1020, BF70,
MFC1025, FAX1030, F4200

For: U.S.A, CANADA(BILINGUAL),
CHINA, HONG KONG, SOUTH AMERICA,
ASIA, GULF, INDONESIA, INDIA, TAIWAN,
CANADA, AUSTRALIA, NEW ZEALAND,
GERMANY, SWITZERLAND, U.K., FRANCE,
NORWAY, BELGIUM, NETHERLANDS,
IRELAND, FINLAND, DENMARK, AUSTRIA,
SPAIN, ITALY, ISRAEL, PORTUGAL, SOUTH
AFRICA, SWEDEN

Series: T3

Fault Report

SUBJECT:

Paper Feed Chute

- **Description:**
We change the unit of spare part from paper feed chute to paper feed chute assy.
- **Invention Result/Cause:**
An engineering change was implemented with the film part which is attached on the paper feed chute.
Also, paper feed chute was modified in its shape. Old paper feed chute and new film part is incompatible.
Therefor, we supply new paper feed chute and new film part in assembled state.
- **Defect Rate by BIL:**
N/A
- **Serial Information by BIUK:**

Countermeasure

Model:

Part Code Change Yes No Parts List Change Yes No Service Manual Change Yes No

| Ref. No. | Old Part Code | Q'ty | Description | New Part Code | Q'ty | Description |
|----------|---------------|------|------------------|---------------|------|-----------------------|
| 1-6 | UF8110001 | 1 | PAPER FEED CHUTE | UF8109001 | 1 | PAPER FEED CHUTE ASSY |

Old Revision:

New Revision:

Compatibility: 0: Incompatible 1: Replaceable from Old to New
 2: Compatible between Old and New Newly Established

Serial Information by BIL:

Treatment of Old Parts in stock: Use Scrap Other

Treatment of Old Parts for refurbishing: Use Not Use

Remarks:

BROTHER Technical Information

FAX Div.

Urgent & Important Issue For OEM

Technical Information No. **Issue Date** **Approval dated**
 FAX98157 Apr/20/1998 June/16/1998

Model: FAX1170, FAX1270, FAX1570MC, MFC1770, MFC1870MC, MFC1970MC, FAX1010, FAX1020, MFC1025, FAX1030, F4200

For: U.S.A, CANADA(BILINGUAL), CHINA, HONG KONG, SOUTH AMERICA, ASIA, GULF, INDONESIA, INDIA, TAIWAN, CANADA, AUSTRALIA, NEW ZEALAND, GERMANY, SWITZERLAND, U.K., FRANCE, NORWAY, BELGIUM, NETHERLANDS, IRELAND, FINLAND, DENMARK, AUSTRIA, SPAIN, ITALY, ISRAEL, PORTUGAL, SOUTH AFRICA, SWEDEN

Series: T3

Fault Report

SUBJECT:

Paper ejection roller

- **Description:**
The paper ejection roller has been changed.
- **Invention Result/Cause:**
To increase the paper ejection margin
- **Defect Rate by BIL:**
N/A
- **Serial Information by BIUK:**

Countermeasure

Model: FAX1170, FAX1270, FAX1570MC, MFC1770, MFC1870MC, MFC1970MC, FAX1010, FAX1020, BF-70, MFC1025, FAX1030, F-4200

Part Code Change Yes No Parts List Change Yes No Service Manual Change Yes No

| Ref. No. | Old Part Code | Q'ty | Description | New Part Code | Q'ty | Description |
|----------|---------------|------|-----------------------|---------------|------|---------------|
| 16 | UF8102001 | 1 | PAPER EJECTION ROLLER | UF0761001 | 1 | -NOT CHANGED- |

Old Revision:

New Revision:

Compatibility: 0: Incompatible 1: Replaceable from Old to New
 2: Compatible between Old and New Newly Established

Serial No.: C81955650

Treatment of Old Parts in stock: Use Scrap Other

Treatment of Old Parts for refurbishing: Use Not Use

Remarks:

.....

Urgent & Important Issue For OEM

Technical Information No.

FAX98053

Issue Date

Feb/2/1998

Approval dated

Feb/10/1998

Model: FAX1170, FAX1270, FAX1570MC,
MFC1770, MFC1870MC, MFC1970MC,
FAX1010, FAX1020, MFC1025,
FAX1030

For: U.S.A, CANADA(BILINGUAL),
CHINA, HONG KONG, SOUTH AMERICA,
ASIA, GULF, INDONESIA, INDIA, TAIWAN,
CANADA, AUSTRALIA, NEW ZEALAND,
GERMANY, SWITZERLAND, U.K., FRANCE,
NORWAY, BELGIUM, NETHERLANDS,
IRELAND, FINLAND, DENMARK, AUSTRIA,
SPAIN, ITALY, ISRAEL, PORTUGAL, SOUTH
AFRICA, SWEDEN

Series: T3

Fault Report

SUBJECT:

Document Support, Recording Paper Support, MJ Cover and PC I/F Cover

• **Description:**

The figure and list do not match in reference number in parts list.
Accordingly the reference numbers of figure are changed.
The parts which changed reference number are as follows:

<FAX1010,FAX1020, FAX1030, MFC1970MC>

| | |
|------------|-------------------------|
| Ref.No. 11 | MJ COVER, EXT |
| Ref.No. 13 | MJ COVER, H/S |
| Ref.No. 33 | PC I/F COVER |
| Ref.No. 52 | RECORDING PAPER SUPPORT |
| Ref.No. 53 | DOCUMENT SUPPORT |

<MFC1025>

| | |
|------------|-------------------------|
| Ref.No. 48 | RECORDING PAPER SUPPORT |
| Ref.No. 49 | DOCUMENT SUPPORT |

<FAX1170, FAX1270, FAX1570MC, MFC1770, MFC1870MC, MFC1970MC, F4200>

| | |
|------------|-------------------------|
| Ref.No. 44 | RECORDING PAPER SUPPORT |
| Ref.No. 45 | DOCUMENT SUPPORT |

• **Invention Result/Cause:**

The misitake of parts reference list.

• **Defect Rate by BIL:**

N/A

• **Serial Information by BIUK:**

Countermeasure

.....

BROTHER Technical Information

FAX Div.

Urgent & Important

Issue For OEM

Technical Information No.

FAX97067

Issue Date

Oct/13/1997

Approval dated

Jan/12/1998

Model: FAX1170, FAX1270, FAX1570MC,
MFC1770, MFC1870MC, MFC1970MC,
FAX1010, FAX1020, FAX1030

For: U.S.A, CANADA(BILINGUAL),
CHINA, SOUTH AMERICA, ASIA, GULF,
INDONESIA, INDIA, CANADA, AUSTRALIA,
NEW ZEALAND, GERMANY, SWITZERLAND,
U.K., FRANCE, NORWAY, BELGIUM,
NETHERLANDS, IRELAND, FINLAND,
DENMARK, AUSTRIA, SPAIN, ITALY,
ISRAEL, PORTUGAL, SOUTH AFRICA,
SWEDEN

Series: T3

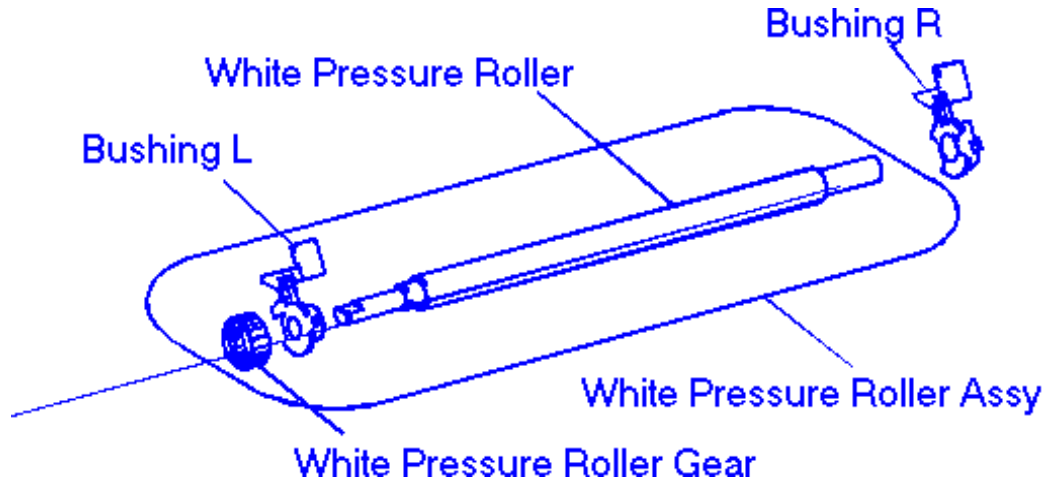
Fault Report

SUBJECT:

White Pressure Roller, Bushing L, White Pressure Roller Gear and Paper Rear Cover

- **Description:**
White Pressure Roller, Bushing L, White Pressure Roller Gear and Paper Rear Cover are newly established as replacement parts.
- **Invention Result/Cause:**
Customer's Request
- **Defect Rate by BIL:**
N/A
- **Serial Information by BIUK:**

Countermeasure



Model:FAX1170, FAX1270, FAX1570MC, MFC1770, MFC1870MC, MFC1970MC, FAX1010, FAX1020, FAX1030

Part Code Change Yes No Parts List Change Yes No Service Manual Change Yes No

| Ref. No. | Old Part Code | Q'ty | Description | New Part Code | Q'ty | Description |
|----------|---------------|------|-------------|---------------|------|-----------------------|
| (79-1) | | | | UF8054001 | 1 | WHITE PRESSURE ROLLER |

Old Revision:

New Revision:

Compatibility:

- 0: Incompatible 1: Replaceable from Old to New
 2: Compatible between Old and New Newly Established

Serial No.:

Treatment of Old Parts in stock: Use Scrap Other

Treatment of Old Parts for refurbishing: Use Not Use

Remarks:

Model:FAX1170, FAX1270, FAX1570MC, MFC1770, MFC1870MC, MFC1970MC, FAX1010, FAX1020, FAX1030

Part Code Change Yes No Parts List Change Yes No Service Manual Change Yes No

| Ref. No. | Old Part Code | Q'ty | Description | New Part Code | Q'ty | Description |
|----------|---------------|------|-------------|---------------|------|-------------|
| (79-2) | | | | UF8056001 | 1 | BUSHING L |

Old Revision:

New Revision:

Compatibility:

- 0: Incompatible 1: Replaceable from Old to New
 2: Compatible between Old and New Newly Established

Serial No.:

Treatment of Old Parts in stock: Use Scrap Other

Treatment of Old Parts for refurbishing: Use Not Use

Remarks:

Model:FAX1170, FAX1270, FAX1570MC, MFC1770, MFC1870MC, MFC1970MC, FAX1010, FAX1020, FAX1030

Part Code Change Yes No Parts List Change Yes No Service Manual Change Yes No

| Ref. No. | Old Part Code | Q'ty | Description | New Part Code | Q'ty | Description |
|----------|---------------|------|-------------|---------------|------|----------------------------|
| (79-3) | | | | UF8057001 | 1 | WHITE PRESSURE ROLLER GEAR |

Old Revision: _____ New Revision: _____

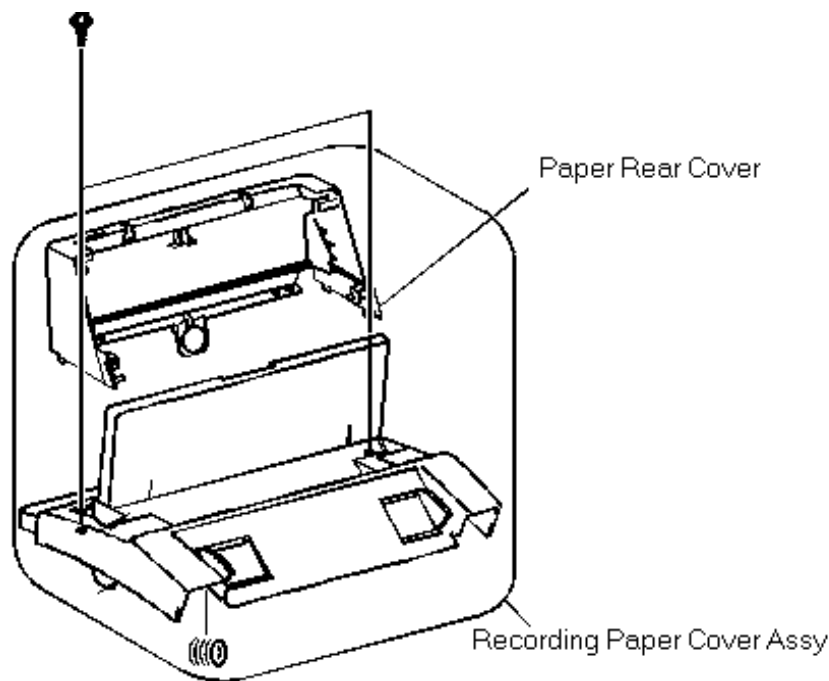
Compatibility: 0: Incompatible 1: Replaceable from Old to New
 2: Compatible between Old and New Newly Established

Serial No.: _____

Treatment of Old Parts in stock: Use Scrap Other

Treatment of Old Parts for refurbishing: Use Not Use

Remarks: _____



Model:FAX1170, FAX1270(Except for Taiwan)

Part Code Change Yes No Parts List Change Yes No Service Manual Change Yes No

| Ref. No. | Old Part Code | Q'ty | Description | New Part Code | Q'ty | Description |
|----------|---------------|------|-------------|---------------|------|------------------------------|
| | | | | UF8155001 | 1 | PAPER REAR COVER, GRAY(1395) |

Old Revision: _____ New Revision: _____

Compatibility: 0: Incompatible 1: Replaceable from Old to New
 2: Compatible between Old and New Newly Established

Serial No.: _____

Treatment of Old Parts in stock: Use Scrap Other

Treatment of Old Parts for refurbishing: Use Not Use

Remarks: FAX1170/1270 (For USA/CAN):Ref.No. (20·2)
 FAX1270 (For SAM/CHN/ASA/GULF/IDN/IND): Ref.No.(21·2)

Model: FAX1570MC(Except for Hong Kong)

Part Code Change Yes No Parts List Change Yes No Service Manual Change Yes No

| Ref. No. | Old Part Code | Q'ty | Description | New Part Code | Q'ty | Description |
|----------|---------------|------|-------------|---------------|------|-------------------------------|
| | | | | UF8155002 | 1 | PAPER REAR COVER, WHITE(1397) |

Old Revision:

New Revision:

Compatibility: 0: Incompatible 1: Replaceable from Old to New
 2: Compatible between Old and New Newly Established

Serial No.:

Treatment of Old Parts in stock: Use Scrap Other

Treatment of Old Parts for refurbishing: Use Not Use

Remarks: FAX1570MC (For USA/CAN):Ref.No. (20·2)
 FAX1570MC (For SAM/CHN/ASA/GULF/IDN/IND): Ref.No.(21·2)

Model:FAX1010, FAX1020, FAX1030, MF1770, MFC1870MC, MFC1970MC

Part Code Change Yes No Parts List Change Yes No Service Manual Change Yes No

| Ref. No. | Old Part Code | Q'ty | Description | New Part Code | Q'ty | Description |
|----------|---------------|------|-------------|---------------|------|-------------------------------|
| | | | | UF8155003 | 1 | PAPER REAR COVER, WHITE(1138) |

Old Revision:

New Revision:

Compatibility: 0: Incompatible 1: Replaceable from Old to New
 2: Compatible between Old and New Newly Established

Serial No.:

Treatment of Old Parts in stock: Use Scrap Other

Treatment of Old Parts for refurbishing: Use Not Use

Remarks: FAX1010/1020/1030: Ref.No. (25·2)
 MFC1770/1870MC/1970MC: Ref.No.(20·2)

.....

BROTHER Technical Information

FAX Div.

Urgent & Important Issue For OEM

Technical Information No. **Issue Date** **Approval dated**
 FAX98133 Feb/27/1998 Mar/17/1998

Model: FAX1270, FAX1020 **For:** GULF, NEW ZEALAND
Series: T3

Fault Report

SUBJECT:

PCB Revision up

• **Description:**

The electronic components parts of main PCB are changed as follows:
 <Symbol> R73 <Old> Fixed Resistor, G-C116J152 ---> <New> Fixed Resistor, G-C116F152
 <Symbol> R58 <Old> Fixed Resistor, G-C116J103 ---> <New> Fixed Resistor, G-C116F103
 <Symbol> R59, R66 and R67 <Old> Fixed Resistor, G-C116J563 ---> <New> Fixed Resistor, G-C116F563
 <Symbol> R62 <Old> Fixed Resistor, G-C116J753 ---> <New> Fixed Resistor, G-C116F753

• **Invention Result/Cause:**

Quality improvement.

• **Defect Rate by BIL:**

N/A

• **Serial Information by BIUK:**

Countermeasure

PCB Information

PCB type Main PCB

Part Code Change Yes No Parts List Change Yes No Service Manual Change Yes No

| Ref. No. | Old Part Code | Q'ty | Description | New Part Code | Q'ty | Description |
|----------|---------------|------|-------------------|---------------|------|---------------|
| | UG5028002 | 1 | MAIN PCB SUB ASSY | | | -NOT CHANGED- |

PCB Revision D

Compatibility 0 Incompatible 1 Replaceable from Old to New
 2 Compatible between Old and New Newly Established

Serial Information by BIL B81900902

Treatment of Old Parts in stock: Use Scrap Other

Treatment of Old Parts for refurbishing: Use Not Use

.....

BROTHER Technical Information

FAX Div.

Urgent & Important Issue For OEM

Technical Information No.

FAX97204

Issue Date

Dec/16/1997

Approval dated

Jan/23/1998

Model: FAX1270, FAX1570MC

For: CHINA, SOUTH AMERICA, ASIA,
GULF, INDONESIA, INDIA, TAIWAN, U.S.A,
CANADA

Series: T3

Fault Report

SUBJECT:

MC Key

- **Description:**
MC key is changed, because of mistake of parts reference list.
- **Invention Result/Cause:**
The mistake of parts reference list.
- **Defect Rate by BIL:**
N/A
- **Serial Information by BIUK:**

Countermeasure

Model: FAX1270 / FAX1570MC

Part Code Change Yes No Parts List Change Yes No Service Manual Change Yes No

| Ref. No. | Old Part Code | Q'ty | Description | New Part Code | Q'ty | Description |
|----------|---------------|------|----------------------|---------------|------|---------------|
| | UF8180004 | 1 | KEY, MC, WHITE(1397) | UF8180002 | | -NOT CHANGED- |

Old Revision:

New Revision:

Compatibility: 0: Incompatible 1: Replaceable from Old to New
 2: Compatible between Old and New Newly Established

Serial No.:

Treatment of Old Parts in stock: Use Scrap Other

Treatment of Old Parts for refurbishing: Use Not Use

Remarks: Reference No. is as follows: FAX1570MC for US/CAN ... Ref.No. 22-11, Others ... Ref.No. (64)

.....