



FACSIMILE EQUIPMENT

PARTS REFERENCE LIST

MODEL: FAX1170 / 1270 / 1570MC

MFC1770 / 1870MC / 1970MC

© Copyright Brother 1998

All rights reserved

No part of this publication may be reproduced in any form or by any means without permission in writing from the publisher.

Specifications are subject to change without prior notice.

NOTES FOR USING THIS PARTS REFERENCE LIST

1. In the case of ordering parts, it needs mentioning the following items:

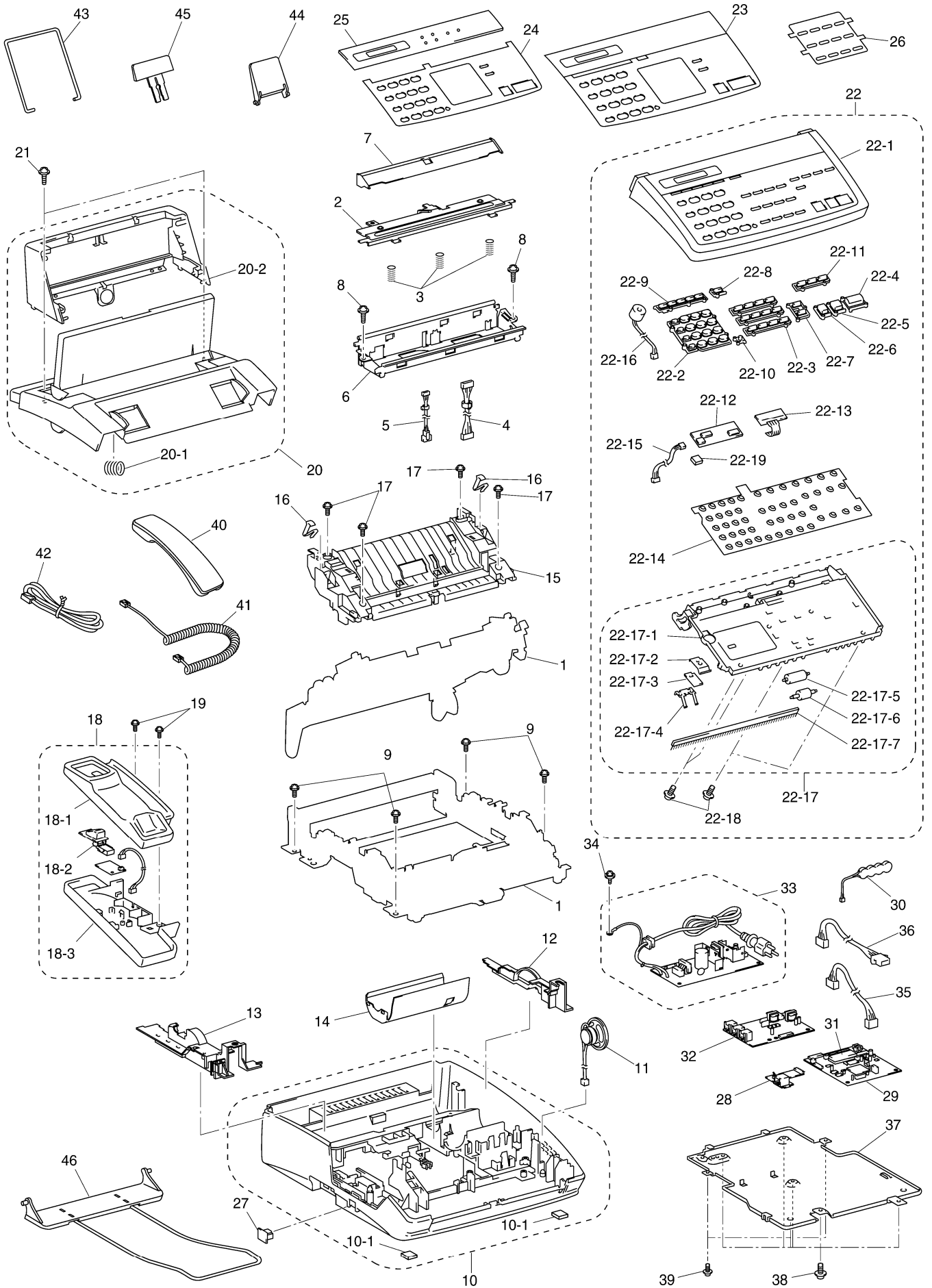
- (1) Code
- (2) Q' ty
- (3) Description

Note: No orders without Parts Code or Tool No. can be accepted.

[Example]

REF.NO.	CODE	Q' TY	DESCRIPTION	REMARKS

2. Parts change will be informed by the technical information.



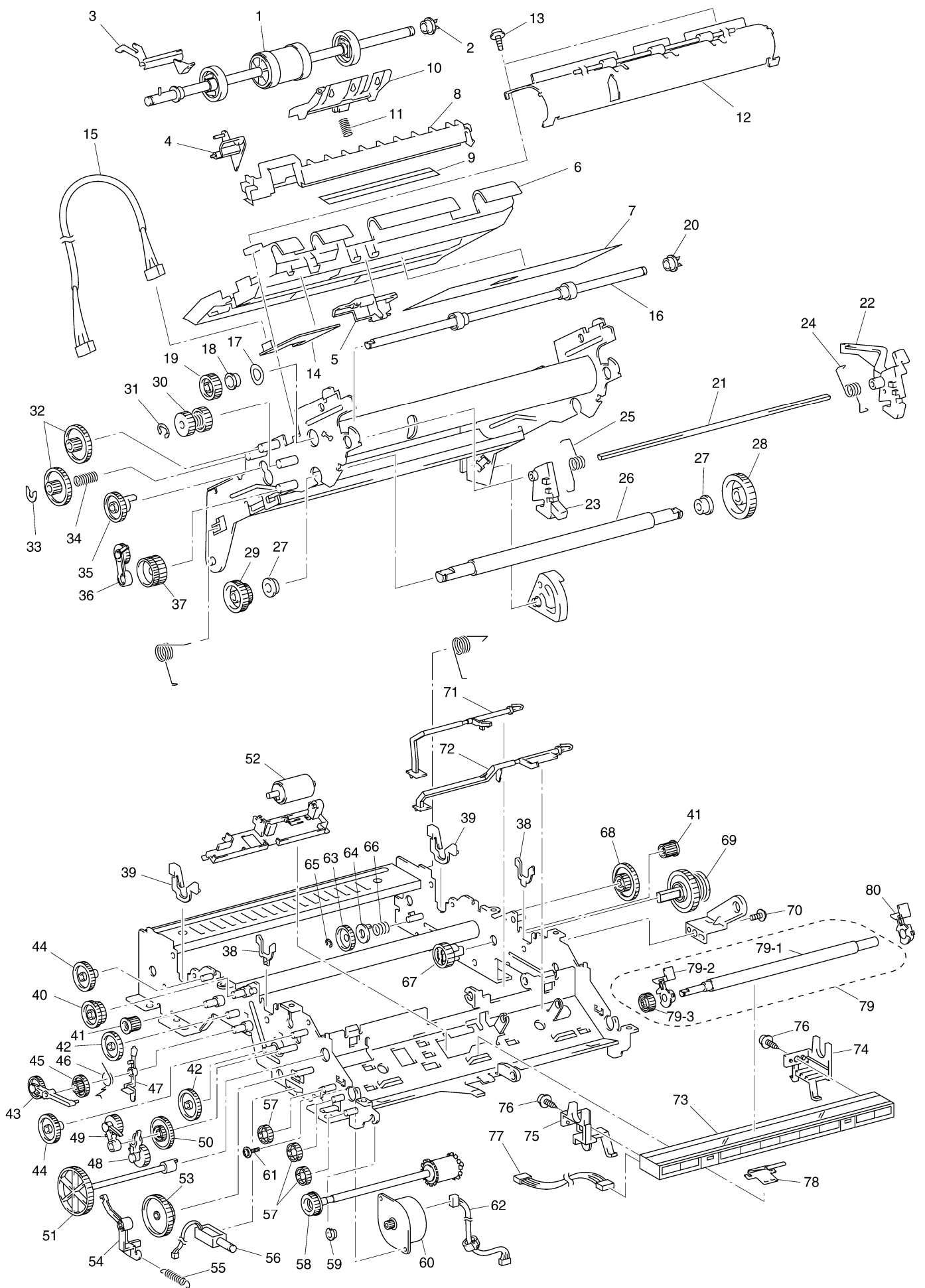
REF.NO.	CODE	QTY	DESCRIPTION	REMARKS
1			PLATEN FRAME & MAIN FRAME ATTACHMENT	
2	UF8070001	1	RECORDING HEAD ASSY	
3	UF8072001	3	SPRING, COMPRESSION	
4	UG5009001	1	HEAD-MAIN HARNESS	
5	UG5010001	1	HEAD-POWER HARNESS	
6	UF8018001	1	RECORDER FRAME	
7	UF8073001	1	HEAD PROTECTION PLATE	
8	U24014001	2	TAPTITE, CUP S M3.0X6	
9	087310815	4	TAPTITE, CUP B M3X8	
10	UF8140001	1	MAIN COVER, GRAY(1395) FOR FAX1170	
10	UF8140002	1	MAIN COVER, WHITE(1397) FOR FAX1270/1570MC	
10	UF8140003	1	MAIN COVER, WHITE(1138) FOR MFC1770/1870MC/1970MC	
10-1	UF6761001	2	RUBBER	
11	LG2049001	1	SPEAKER ASSY FOR FAX1170/1270, MFC1770	
11	LG2194001	1	SPEAKER ASSY FOR FAX1570MC, MFC1870MC/1970MC	
12	UF8150001	1	SIDE COVER R, GRAY(1395) FOR FAX1170	
12	UF8150002	1	SIDE COVER R, WHITE(1397) FOR FAX1270/1570MC, MFC1770/1870MC/1970MC	
12	UF8150003	4	SIDE COVER R, WHITE(1138) FOR MFC1770/1870MC/1970MC	
13	UF8147001	1	SIDE COVER L, GRAY(1395) FOR FAX1170	
13	UF8147002	1	SIDE COVER L, WHITE(1397) FOR FAX1270/1570MC, MFC1770/1870MC/1970MC	
13	UF8147003	4	SIDE COVER, WHITE(1138) FOR MFC1770/1870MC/1970MC	
14	UF8151001	4	ROM COVER, GRAY(1395) FOR FAX1170	
14	UF8151002	4	ROM COVER, WHITE(1397) FOR FAX1270/1570MC, MFC1870MC/1970MC	
14	UF8151003	4	ROM COVER, WHITE(1138) FOR MFC1770	
14	UF8151004	1	ROM COVER, GRAY(1267)	
15	UF8143001	1	INNER COVER, GRAY(1395) FOR FAX1170	
15	UF8143002	1	INNER COVER, WHITE(1397) FOR FAX1270/1570MC	
15	UF8143003	1	INNER COVER, WHITE(1138) FOR MFC1770/1870MC/1970MC	
16	UF5571001	2	SPRING PLATE, PANEL LOCK	
17	087320815	4	TAPTITE, CUP S M3X8	
18	LP4053001	1	HANDSET HOLDER ASSY, GRAY(1395) FOR FAX1170	CHG
18	LP4053002	1	HANDSET HOLDER ASSY, WHITE(1397) FOR FAX1270/1570MC	CHG
18	LP4053003	1	HANDSET HOLDER ASSY, WHITE(1138) FOR MFC1770/1870MC/1970MC	CHG
18-1	LP4051001	1	UPPER HANDSET HOLDER, GRAY(1395) FOR FAX1170	CHG
18-1	LP4051002	1	UPPER HANDSET HOLDER, WHITE(1397) FOR FAX1270/1570MC	CHG
18-1	LP4051003	1	UPPER HANDSET HOLDER, WHITE(1138) FOR MFC1770/1870MC/1970MC	CHG
18-2	LP4052001	1	ACTUATOR HOOK, GRAY(1395) FOR FAX1170	CHG
18-2	LP4052002	1	ACTUATOR HOOK, WHITE(1397) FOR FAX1270/1570MC	CHG
18-2	LP4052003	1	ACTUATOR HOOK, WHITE(1138) FOR MFC1770/1870MC/1970MC	CHG
18-3	UF8166001	1	LOWER HANDSET HOLDER, GRAY(1395) FOR FAX1170	
18-3	UF8166002	1	LOWER HANDSET HOLDER, WHITE(1397) FOR FAX1270/1570MC	
18-3	UF8166003	1	LOWER HANDSET HOLDER, WHITE(1138) FOR MFC1770/1870MC/1970MC	
19	087310815	2	TAPTITE, CUP B M3X8	
20	UF8153001	1	RECORDING PAPER COVER ASSY, GRAY(1395) FOR FAX1170	
20	UF8153002	1	RECORDING PAPER COVER ASSY, WHITE(1397) FOR FAX1270/1570MC	
20	UF8153003	1	RECORDING PAPER COVER ASSY, WHITE(1138) FOR MFC1770/1870MC/1970MC	

REF.NO.	CODE	QTY	DESCRIPTION	REMARKS
20-1	UF4418001	1	SPRING, COMPRESSION	
20-2	UF8155001	1	PAPER REAR COVER, GRAY(1395) FOR FAX1170	
20-2	UF8155002	1	PAPER REAR COVER, WHITE(1397) FOR FAX1270/1570MC	
20-2	UF8155003	1	PAPER REAR COVER, WHITE(1138) FOR MFC1770/1870MC/1970MC	
21	087320815	2	TAPTITE, CUP S M3X8	
22	UF8168001	1	CONTROL PANEL ASSY, GRAY(1395) FOR FAX1170	
22	UF8168002	1	CONTROL PANEL ASSY, WHITE(1397) FOR FAX1270	
22	UF8311002	1	CONTROL PANEL ASSY, WHITE(1397) FOR FAX1570MC	
22	UF8235003	1	CONTROL PANEL ASSY, WHITE(1138) FOR MFC1770	
22	UF8238003	1	CONTROL PANEL ASSY, WHITE(1138) FOR MFC1870MC/1970MC	
22-1	UF8171001	1	PANEL COVER, GRAY(1395) FOR FAX1170	
22-1	UF8171002	1	PANEL COVER, WHITE(1397) FOR FAX1270/1570MC	
22-1	UF8193003	1	PANEL COVER, WHITE(1138) FOR MFC1770/1870MC/1970MC	
22-2	UF4393010	1	KEY, TEL, GRAY(1395) FOR FAX1170	
22-2	UF4393011	1	KEY, TEL, WHITE(1397) FOR FAX1270/1570MC	
22-2	UF4393003	1	KEY, TEL, WHITE(1138) FOR MFC1770/1870MC/1970MC	
23-3	UF8176001	3	KEY, ONE TOUCH, GRAY(1395) FOR FAX1170	
23-3	UF8176002	3	KEY, ONE TOUCH, WHITE(1397) FOR FAX1270/1570MC	
23-3	UF8176003	3	KEY, ONE TOUCH, WHITE(1138) FOR MFC1770/1870MC/1970MC	
22-4	UF8172001	1	KEY, START, BLUE(6189) FOR FAX1170/1270/1570MC	
22-4	UF8172002	1	KEY, START, BLUE(6155) FOR MFC1770/1870MC/1970MC	
22-5	UF8173001	1	KEY, STOP, ORANGE(3195)	
22-6	UF8174001	1	KEY, COPY, GRAY(1267)	
22-7	UF8179001	1	KEY, COPY MODE, GRAY(1395) FOR FAX1170	
22-7	UF8179002	1	KEY, COPY MODE, WHITE(1397) FOR FAX1270/1570MC	
22-7	UF8179003	1	KEY, COPY MODE, GRAY(1267) FOR MFC1770/1870MC/1970MC	
22-8	UF8177001	1	KEY, MODE, GRAY(1395) FOR FAX1170	
22-8	UF8177002	1	KEY, MODE, WHITE(1397) FOR FAX1270	
22-8	UF8177002	2	KEY, MODE, WHITE(1397) FOR FAX1570MC	
22-8	UF8177003	1	KEY, MODE, WHITE(1138) FOR MFC1770	
22-8	UF8177003	2	KEY, MODE, WHITE(1138) FOR MFC1870MC/1970MC	
22-9	UL5712004	1	KEY, OPERATION, GRAY(1395) FOR FAX1170	
22-9	UL5712005	1	KEY, OPERATON, WHITE(1397) FOR FAX1270	
22-9	UL5712005	2	KEY, OPERATON, WHITE(1397) FOR FAX1570MC	
22-9	UL5712003	1	KEY, OPERATION, WHITE(1138) FOR MFC1770	
22-9	UL5712003	2	KEY, OPERATION, WHITE(1138) FOR MFC1870MC/1970MC	
22-10	UF4576006	1	KEY, SHIFT, GRAY(1395) FOR FAX1170	
22-10	UF4576007	1	KEY, SHIFT, WHITE(1397) FOR FAX1270/1570MC	
22-10	UF4576003	1	KEY, SHIFT, WHITE(1138) FOR MFC1770/1870MC/1970MC	
22-11	UF8180002	1	KEY, MC, WHITE(1397) FOR FAX1570MC	
22-11	UF8180001	1	KEY, MC, GRAY(1267) FOR MFC1870MC/1970MC	
22-12	UG5035001	1	PANEL PCB ASSY FOR FAX1170/1270,MFC1770	
22-12	UG5048001	1	PANEL PCB ASSY FOR FAX1570MC, MFC1870MC/1970MC	
22-13	LG2351001	1	LCD	
22-14	UG5021001	1	FPC KEY	
22-15	UG5018001	1	PANEL-MAIN HARNESS	
22-16	UG5053001	1	MAICROPHONE FOR FAX1570MC, MFC1870MC/1970MC	

REF.NO.	CODE	QTY	DESCRIPTION	REMARKS
22-17	UF8178001	1	PANEL REAR COVER ASSY	
22-17-1	UF8175001	1	PANEL REAR COVER	
22-17-2	UF5585001	1	ADF SPRING PLATE	
22-17-3	UF5584000	1	SEPARATION RUBBER	
22-17-4	UF5586001	1	SPRING PLATE, ADF FRONT	
22-17-5	UF5587001	1	PRESSURE ROLLER	
22-17-6	UF8257001	1	EJECTION ROLLER	
22-17-7	UF8285001	1	ANTI-STATIC BRUSH	
22-18	087310815	4	TAPTITE, CUP B M3X8	
22-19	UF6761001	1	RUBBER FOOT	
23	UF8181001	1	PANEL SHEET FOR FAX1170	
23	UF8194001	1	PANEL SHEET FOR FAX1270	
23	UF8314001	1	PANEL SHEET FOR FAX1570MC	
24	UF8195001	1	PANEL SHEET FOR MFC1770	
24	UF8197001	1	PANEL SHEET FOR MFC1870MC/1970MC	
25	UF8189001	1	LCD PLATE FOR MFC1770	
25	UF8191001	1	LCD PLATE FOR MFC1870MC	
25	UF8192001	1	LCD PLATE FOR MFC1970MC	
26	UF8183001	1	ADDRESS LABEL FOR FAX1170	
26	UF8183002	1	ADDRESS LABEL FOR FAX1270/1570MC	
26	UF8183003	1	ADDRESS LABEL FOR MFC1770/1870MC/1970MC	
27	UF4759000	1	PC I/F COVER FOR FAX1270/1570MC, MFC1770/1870MC/1970MC	
27	UF4759002	1	PC I/F COVER FOR FAX1170	
28	UG5003001	1	MODULAR PCB ASSY FOR FAX1170/1270, MFC1770	
28	UG5003002	1	MODULAR PCB ASSY FOR FAX1570MC, MFC1870MC/1970MC	
29	UG5028001	1	MAIN PCB SUB ASSY FOR FAX1170/1270, MFC1770	
29	LG2229014	1	MAIN PCB SUB ASSY, FAX1570MC, MFC1970MC FOR US/CAN	
29	LG2228013	1	MAIN PCB SUB ASSY, MFC1870MC FOR US/CAN	
30	LG2861001	1	BATTERY FOR FAX1570MC, MFC1870MC/1970MC	
31	UG2454001	1	MASK ROM-A:FAX1170/1270, MFC1770 FOR US	
31	UG2942002	1	OTPROM:FAX1170/1270, MFC1770 FOR CAN	
31	LG0077001	1	MROM:FAX1570MC, MFC1970MC FOR US	
31	LG0078002	1	MROM:FAX1570MC, MFC1970MC FOR CAN	
31	LG0028001	1	OTPROM:MFC1870MC FOR US	
31	LG0030002	1	OTPROM:MFC1870MC FOR CAN	
32	UG3537001	1	NCU PCB ASSY FOR FAX1170/1270, MFC1770	
32	UG6688051	1	NCU PCB ASSY FOR FAX1570MC, MFC1870MC/1970MC	
33	UG5058001	1	POWER SUPPLY PCB ASSY (WITH AC CORD)	
34	LF1884001	1	SCREW, PAN (WASHER) M4X7DB	chg
35	UG5019001	1	POWER-MAIN HARNESS	
36	UG5051001	1	POWER-HEAD HARNESS	
37	UF8152001	1	BOTTOM PLATE	
38	087310815	6	TAPTITE, CUP B M3X8	
39	U24014001	2	TAPTITE, CUP S M3.0X6	

REF.NO.	CODE	QTY	DESCRIPTION	REMARKS
40	UF6857001	1	HANDSET, GRAY(1395) FOR FAX1170	
40	UF6857002	1	HANDSET, WHITE(1397) FOR FAX1270/1570MC	
40	UF6857003	1	HANDSET, WHITE(1138) FOR MFC1770/1870MC/1970MC	
41	UL8019007	1	HANDSET CURLED CORD, GRAY(1395) FOR FAX1170	
41	UL8019009	1	HANDSET CURLED CORD, WHITE(1255) FOR FAX1270/1570MC, FOR MFC1770/1870MC/1970MC	
42	UG1570004	4	TELEPHONE LINE CORD FOR US	
42	LG3077001	1	TELEPHONE LINE CORD FOR US/CAN	
43	UL6856000	1	RECORDING PAPER WIRE EXTENSION	
44	UF8048001	1	DOCUMENT SUPPORT, GRAY(1333)	
45	UF8247001	1	RECORDING PAPER SUPPORT, GRAY(1333)	
46	UF8246001	1	DOCUMENT EJECTION TRAY ASSY	
46	LE0413001	1	DOCUMENT EJECTION TRAY ASSY FOR MFC1870MC	
(47)	UF8060001	1	STARTER PRINTING CARTRIDGE (RIBBON CASSETTE UNIT)	
(47-1)	UF8064001	1	STARTER RIBBON(30M)	
(48)	UU0297001	1	ISC003 LABEL FOR CAN	
(49)	UF8187004	4	RIBBON SETTING LABEL	
(50)	UU0456001	2	HEAD PROTECTION SHEET	chg
(51)	LE0442001	1	OPERATIONS MANUAL, FAX1170/1270, MFC1770 FOR US	
(51)	LE0449001	1	OPERATIONS MANUAL, FAX1170/1270, MFC1770 FOR CAN <ENGLISH>	
(51)	UF8648001	1	OPERATIONS MANUAL, FAX1170/1270, MFC1770 FOR CAN <FRENCH>	
(51)	UF8322001	1	OPERATIONS MANUAL, FAX1570MC, MFC1870MC/1970MC FOR US	
(51)	UF0731001	1	OPERATIONS MANUAL, FAX1570MC, MFC1870MC/1970MC FOR CAN <ENGLISH>	
(51)	UF0734001	1	OPERATIONS MANUAL, FAX1570MC, MFC1870MC/1970MC FOR CAN <FRENCH>	
(52)	UF8209004	4	MESSAGE CENTER MANUAL, FAX1570MC, MFC1870MC/1970MC <ENGLISH>	
(52)	UF8218004	4	MESSAGE CENTER MANUAL, FAX1570MC, MFC1870MC/1970MC FOR CAN <FRENCH>	
(53)	UF8483001	1	MULTI-FUNCTION LINK MANUAL, MFC1770 <ENGLISH>	
(53)	UF8653001	1	MULTI-FUNCTION LINK MANUAL, MFC1770 FOR CAN <FRENCH>	
(54)	UF2983001	1	WARRANTY CARD, FAX1170/1270/1570MC FOR US	
(54)	UF2984001	1	WARRANTY CARD, MFC1770/1870MC/1970MC FOR US	
(54)	UF8934001	1	WARRANTY CARD FOR CAN	
(54)	U88458004	4	WARRANTY CARD FOR CAN <FRENCH>	
(55)	UF6212001	1	TEST SHEET FOR US	
(56)	UF8296001	1	QUICK REFERENCE GUIDE, FAX1170/1270, MFC1770 <ENGLISH>	
(56)	UF8316001	1	QUICK REFERENCE GUIDE, FAX1170/1270, MFC1770 FOR CAN <FRENCH>	
(56)	UF8298001	1	QUICK REFERENCE GUIDE, FAX1570MC, MFC1870MC/1970MC <ENGLISH>	
(56)	UF8317001	1	QUICK REFERENCE GUIDE, FAX1570MC, MFC1870MC/1970MC FOR CAN <FRENCH>	
(57)	UF8297001	1	REMOTE CONTROL GUIDE, FAX1170/1270, MFC1770 <ENGLISH>	
(57)	UF8318001	1	REMOTE CONTROL GUIDE, FAX1170/1270, MFC1770 FOR CAN <FRENCH>	
(57)	UF0760004	4	REMOTE CONTROL GUIDE, FAX1570MC, MFC1870MC/1970MC <ENGLISH>	
(57)	UF0759004	4	REMOTE CONTROL GUIDE4, FAX1570MC, MFC1870MC/1970MC FOR CAN <FRENCH>	

REF.NO.	CODE	QTY	DESCRIPTION	REMARKS
(58)	UE1536001	1	CARTON, BROTHER FAX1170 FOR US	
(58)	UE1751001	1	CARTON, BROTHER FAX1170 FOR CAN	
(58)	UE1542001	1	CARTON, BROTHER FAX1270 FOR US	
(58)	UE1752001	1	CARTON, BROTHER FAX1270 FOR CAN	
(58)	LE0342001	1	CARTON, BROTHER FAX1570MC FOR US	
(58)	UE1902001	1	CARTON, BROTHER FAX1570MC FOR CAN	
(58)	UE1543001	1	CARTON, BROTHER MFC1770 FOR US	
(58)	UE1753001	1	CARTON, BROTHER MFC1770 FOR CAN	
(58)	LE0343001	1	CARTON, BROTHER MFC1870MC FOR US	
(58)	LE0344001	1	CARTON, BROTHER MFC1870MC FOR CAN	
(58)	LE0345001	1	CARTON, BROTHER MFC1970MC FOR US	
(58)	LE0346001	1	CARTON, BROTHER MFC1970MC FOR CAN	
(59)	UE1511001	1	STYROFOAM, FAX1570MC FOR CAN, FAX1170/1270, MFC1770	
(59)	LE0369001	1	STYROFOAM, FAX1570MC FOR US, MFC1870MC/1970MC	
(60)	UE1660001	1	BAG,620X800H FOR MACHINE	
(61)	UE1514001	1	ACCESSORY BOX	
(62)	UF8185001	1	MYLAR LABEL, FAX1170 FOR US	
(62)	UF8220001	1	MYLAR LABEL, FAX1170 FOR CAN	
(62)	UF8286001	1	MYLAR LABEL, FAX1270 FOR US	
(62)	UF8287001	1	MYLAR LABEL, FAX1270 FOR CAN	
(62)	UF8213001	1	MYLAR LABEL, MFC1770 FOR US	
(62)	UF8221001	1	MYLAR LABEL, MFC1770 FOR CAN	
(62)	UF8214001	1	MYLAR LABEL, MFC1870MC FOR US	
(62)	UF8222001	1	MYLAR LABEL, MFC1870MC FOR CAN	
(62)	UF8215001	1	MYLAR LABEL, MFC1970MC FOR US	
(62)	UF8223001	1	MYLAR LABEL, MFC1970MC FOR CAN	
(63)	UF8263001	1	TEST CHART-027	
(63)	UF9333001	4	TEST CHART-028	del
(64)	UF8997001	1	ADJUSTING SHEET, A	
(65)	UF2918001	1	MFL FLOPPY DISK ASSY FOR MFC1770	
(65)	LE4502001	1	MFL CD-ROM ASSY FOR MFC1870MC/1970MC	
(65)	LE0392001	1	MFL INTERFACE ASSY FOR MFC1870MC/1970MC	
(66)	UF0750001	1	PANEL BILINGUAL LABEL FAX1170 FOR CAN	
(66)	UF0750002	1	PANEL BILINGUAL LABEL FAX1270 FOR CAN	
(66)	UF0752001	1	PANEL BILINGUAL LABEL FAX1570MC FOR CAN	
(66)	UF0754001	1	PANEL BILINGUAL LABEL MFC1770 FOR CAN	
(66)	UF0756001	1	PANEL BILINGUAL LABEL MFC1870MC/1970MC FOR CAN	
-67	UF2647001	1	CLEANING KIT ASSY	
(68)	LE0218001	1	EJECTION SUPPORT	
(69)	LE0544001	1	SEPARATION PAD HOLDER SUPPLY ASSY	



1. PLATEN FRAME & MAIN FRAME ATTACHMENT

REF.NO.	CODE	QTY	DESCRIPTION	REMARKS
1	UF8116001	1	PAPER FEED ROLLER ASSY	
2	UF0026001	1	PAWLED BUSHING	
3	UF8118001	1	PAPER FRONT COVER SENSING ACTUATOR	
4	UF8111001	1	PAPER-EDGE SENSOR ACTUATOR	
5	UF8112001	1	PAPER EJECTION SENSOR ACTUATOR	
6	UF8109001	1	PAPER FEED CHUTE ASSY (INCLUDING PAPER FEED CHUTE, CHUTE FILM, PAPER FEED SUB CHUTE, SUB CHUTE FILM, SEPARATION PAD, SPRING, SENSOR PCB ASSY, SENSOR-MAIN HARNESS, PAPER EDGE SENSOR ACTUATOR, AND PAPER EJECTION SENSOR ACTUATOR)	
7	UF8139001	1	CHUTE FILM	
8	UF8104001	1	PAPER FEED SUB CHUTE	
9	UF8249001	1	SUB CHUTE FILM	
10	UF8265001	1	SEPARATION PAD	
11	UL5184001	1	SPRING, COMPRESSION	
12	UF8086001	1	CHUTE ASSY	
13	087320815	2	TAPTITE, CUP S M3X8	
14	UG5000001	1	SENSOR PCB ASSY	
15	UG5014001	1	SENSOR-MAIN HARNESS	
16	UF0761001	1	PAPER EJECTION ROLLER	
17	UF8090001	1	CURVED WASHER	
18	UF8105001	1	BUSHING	
19	UF6048000	1	GEAR, 40	
20	UF0026001	1	PAWLED BUSHING	
21	UF8505001	1	LOCK LEVER SHAFT	
22	UF8506001	1	LOCK LEVER R	
23	UF8504001	1	LOCK LEVER L	
24	UF8126001	1	LOCK SPRING R	
25	UF8125001	1	LOCK SPRING L	
26	UF8095001	1	PLATEN	
27	UF8097001	2	BUSHING	
28	UF8101001	1	GEAR,33 RB	
29	UF8098001	1	GEAR,23	
30	UF8076001	1	CLUTCH GEAR ASSY	
31	048030345	1	RETAINING RING, E3	
32	UF8094001	2	GEAR,18/41	
33	UF8088001	1	PLASTIC RETAINING RING	
34	UF8087001	1	SPRING, COMPRESSION	
35	UF8122001	1	GEAR,55	
36	UF8123001	1	PLATEN GEAR, 34	
37	UF8093001	1	GEAR,39/24	
38	UF3665000	2	RIBBON BUSHING	
39	UF8013001	2	PAWLED RIBBON BUSHING B	
40	UF8039001	1	GEAR,33/45	
41	UF8025001	2	GEAR,18	
42	UF8034001	2	GEAR,39	
43	UF8046001	1	ARM C ASSY	
44	UF8036001	2	GEAR,33	
45	UF8040001	1	GEAR,36/27	
46	UF8149001	1	ACTUATOR SPRING	
47	UF8148001	1	COVER SENSOR ACTUATOR	
48	UF8030001	1	ARM A ASSY	
49	UF8032001	1	ARM B ASSY	
50	UF8029001	1	GEAR,20/90	

1. PLATEN FRAME & MAIN FRAME ATTACHMENT

REF.NO.	CODE	QTY	DESCRIPTION	REMARKS
51	UF8035001	1	SEPARATION ROLLER GEAR	
52	UF5511001	1	SEPARATION ROLLER	
53	UF8037001	1	GEAR,20/40	
54	UF8038001	1	CLUTCH LEVER	
55	UF6664001	1	SPRING, EXTENSION	
56	UG3086001	1	SOLENOID	
57	UF6616000	3	GEAR, 14/20	
58	UF8144001	1	DOCUMENT EJECTION ROLLER	
59	UF8146001	1	BUSHING	
60	Z26436001	1	MOTOR	chg
61	U09759001	1	SCREW, PAN (S/P WASHER) M3X6	
62	UG5012001	1	MOTOR-MAIN HARNESS	
63	UF6069000	1	SLIP GEAR, 40	
64	UF6067001	1	FRICITION PAD	
65	048030345	1	RETAINING RING, E3	
66	UF8043001	1	BACK TENSION SPRING	
67	UF8028001	1	GEAR,24	
68	UF8037001	1	GEAR,20/40	
69	UF8023001	1	FRICITION TORQUE TRANSMISSION ASSY (GEAR,46 ASSY)	
70	U24014001	1	TAPTITE, CUP S M3.0X6	
71	UF8022001	1	DOCUMENT FRONT SENSOR ACTUATOR	
72	UF8024001	1	DOCUMENT REAR SENSOR ACTUATOR	
73	UG6683001	1	CIS UNIT	
74	UF8578001	1	CIS HOLDER R	
75	LF3617001	1	CIS HOLDER L	chg
76	087310815	2	TAPTITE, CUP B M3X8	
77	UG5013001	1	CIS-MAIN HARNESS	
78	UF8041001	1	CIS LEAF SPRING	
79	UF8053001	1	WHITE PRESSURE ROLLER ASSY	
79-1	UF8054001	1	WHITE PRESSURE ROLLER	
79-2	UF8056001	1	BUSHING L	
79-3	UF8057001	1	WHITE PRESSURE ROLLER GEAR	
80	UF8058001	1	BUSHING R	

brother®