



**FACSIMILE EQUIPMENT
PARTS REFERENCE LIST**

**MODEL: FAX1835C / 1840C / 1940CN
MFC3240C / 3340CN**

**(For Germany / United Kingdom / France /
Belgium / Netherlands / Switzerland /
Ireland / Denmark / Austria / Spain / Italy /
Portugal / China / Hong Kong / Asia /
Oceania / Pan-Nordic /Euro Generic)**

© Copyright Brother 2004

All rights reserved

No part of this publication may be reproduced in any form or by any means without permission in writing from the publisher.

Specifications are subject to change without prior notice.

NOTES FOR USING THIS PARTS REFERENCE LIST

1. In the case of ordering parts, it needs mentioning the following items:

- (1) Code
- (2) Q' ty
- (3) Description
- (4) Recommend (The \checkmark mark is attached to recommend parts at this column.)
- (5) Symbol (PCB No., Revision, and Parts location mounted on the PCB.)

Note: No orders without Parts Code or Tool No. can be accepted.

[Example]

	(1)	(2)	(3)	(4)	(5)	
REF.NO.	CODE	Q' TY	DESCRIPTION	RECOMMEND	SYMBOL	REMARKS

2. Design-changed parts:

When the parts are changed, any one of the following symbols is mentioned in the REMARKS column.

CHG (chg): The part is changed to a new part.

ADD (add): The part is newly added.

DEL (del): The part is deleted.

Symbol in capital letters indicates that the change is the latest one in the page.

3. Parts change will be informed by the technical information.

COUNTRIES

GERMAN ----- GER

UNITED KINGDOM ----- UK

FRANCE ----- FRA

BELGIUM ----- BEL

NETHERLANDS ----- NLD

SWITZERLAND ----- CHE

IRELAND ----- IRE

DENMARK ----- DEN

AUSTRIA ----- AUS

SPAIN ----- SPA

ITALY ----- ITA

PORTUGAL ----- POR

CHINA ----- CHN

HONG KONG ----- HK

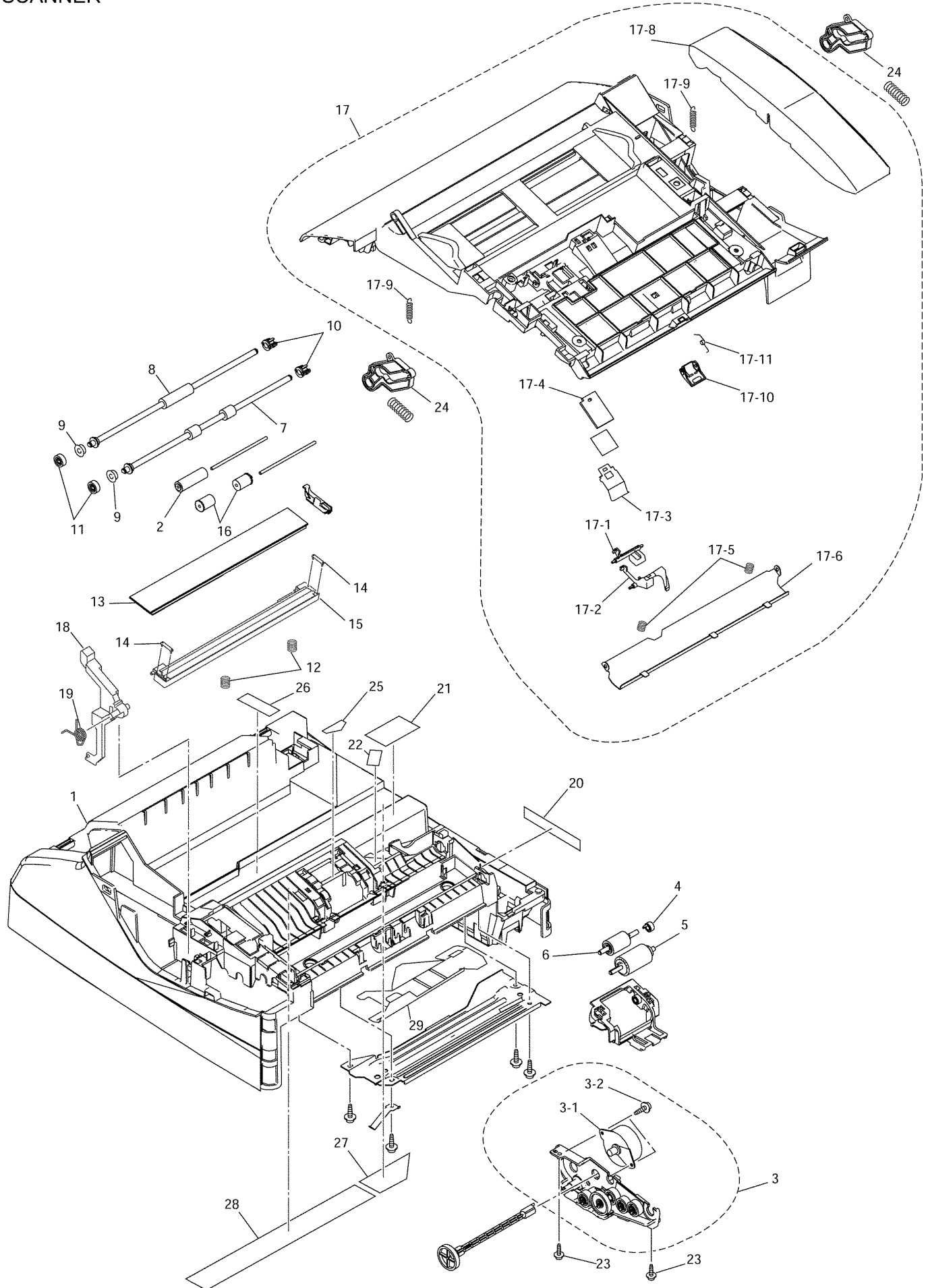
ASIA (SINGAPOLE/GULF) ----- ASA

OCEANIA (ARL & NZ) ----- OCE

PAN NORDIC ----- PND

EURO GENERIC ----- GNR

1. SCANNER



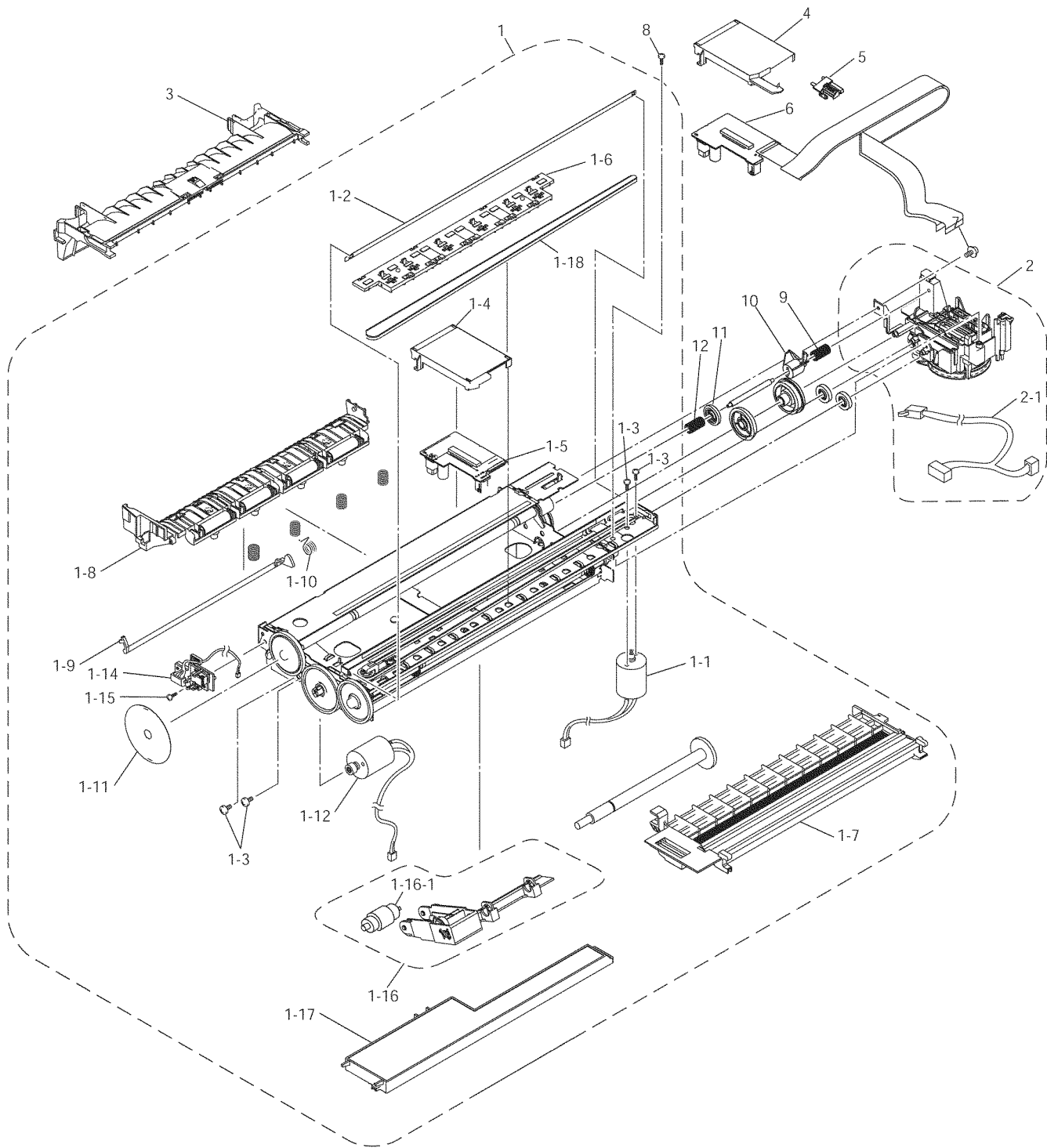
List1(SCANNER)

REF No.	CODE	QTY	DESCRIPTION	RECOMMEND	REMARK
1	LP0073002	1	UPPER COVER, FAX1835C/FAX1840C (*1)		
1	LP0071002	1	UPPER COVER, FAX1835C/FAX1840C (*2)		add
1	LP0074002	1	UPPER COVER, FAX1940CN (*1)		
1	LP0072002	1	UPPER COVER, FAX1940CN (*2)		add
1	LP0073001	1	UPPER COVER, MFC3240C (*1)		
1	LP0071001	1	UPPER COVER, MFC3240C (*2)		add
1	LP0074001	1	UPPER COVER, MFC3340CN (*1)		
1	LP0072001	1	UPPER COVER, MFC3340CN (*2)		add
2	UU0021001	1	DOCUMENT PRESSURE ROLLER		
3	LF5503001	1	SCANNER DRIVE UNIT		
3-1	LF5510001	1	SCANNER MOTOR		
3-2	0A5300605	2	SCREW PAN (S/P WASHER) M3X6		
4	LF5512001	1	PULL-IN ROLLER GEAR		
5	LF7067001	1	DOCUMENT SEPARATION ROLLER		
6	LF7079001	1	DOCUMENT PULL-IN ROLLER		
7	LF5515001	1	DOCUMENT EJECTION ROLLER		
8	LF5517001	1	DOCUMENT FEED ROLLER		
9	LE6494001	2	BUSHING		chg
10	LF4230001	2	LOCK BUSHING		
11	UU7039001	2	DOCUMENT FEED ROLLER GEAR 27		
12	LF5522001	2	CIS SPRING		
13	LF5523001	1	CIS GLASS		
14	LF5524001	2	CIS SPACER		
15	LG5352001	1	CIS UNIT		
16	UL6244002	2	PINCH ROLLER		
17	LF5533002	1	TOP COVER ASSY, FAX1835C/FAX1840C/FAX1940CN		
17	LF5533001	1	TOP COVER ASSY, MFC3240C/MFC3340CN		
17-1	LF5535001	1	DOCUMENT FRONT SENSOR ACTUATOR		
17-2	LF5536001	1	DOCUMENT REAR SENSOR ACTUATOR		
17-3	LF7975001	1	SEPARATION PLATE		chg
17-4	LF7977001	1	SEPARATION RUBBER		chg
17-5	LE9991001	2	SPRING		
17-6	LF7074001	1	DOCUMENT PRESSURE BAR ASSY		
17-8	LF5549002	1	SIDE COVER R, FAX1835C/FAX1840C/FAX1940CN		
17-8	LF5549001	1	SIDE COVER R, MFC3240C/MFC3340CN		
17-9	LF5538001	2	STOPPER SPRING		
17-10	LF7070001	1	DOCUMENT NIP PIECE		add
17-11	LF7979001	1	NIP PIECE SPRING		add
18	LF7066001	1	UPPER HOOK SWITCH ACTUATOR, FAX1840C/FAX1940CN		
19	LF7680001	1	ACTUATOR SPRING, FAX1840C/FAX1940CN		
20	LP0717001	1	INK REPLACE LABEL		CHG
21	LF5116001	1	CONSUMPTION LABEL FOR GER/UK/FRA/BEL/NLD/CHE/IRE/DEN/AUS/SPA/ITA/POR/PND/GNR		
21	LF7833001	1	CONSUMPTION LABEL FOR CHN		
21	LF5941001	1	CONSUMPTION LABEL FOR HK/ASA/OCE		
22	LF5179001	1	USB STICKER EXCEPT FOR CHN		
22	LF5191001	1	USB STICKER FOR CHN		
23	085311016	2	TAPTITE BIND B M3X10		
24	LF5537001	2	TOP COVER STOPPER		
25	LF7593001	1	FFC FILM		
26	LF7242001	1	ADF FILM		
27	LF7677001	1	SLIDE SUPPORT FILM		
28	LF7321001	1	SLIDE FILM		
29	LF7640001	1	CIS FFC FILM		

*1 : For models with non-detachable carriage PCB on the print head

*2 : For models with detachable carriage PCB on the print head

2 ENGINE



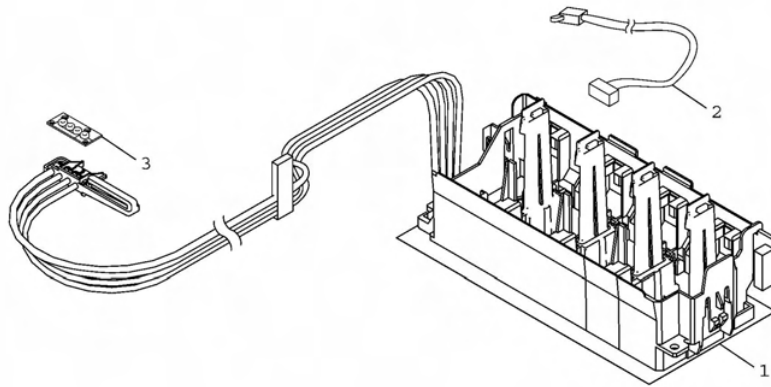
List2(ENGINE)

REF No.	CODE	QTY	DESCRIPTION	RECOMMEND	REMARK
1	LF7963001	1	ENGINE UNIT SUPPLY ASSY		chg
1-1	LF4764001	1	CARRIAGE MOTOR		
1-2	LF4769001	1	CR ENCODER STRIP		
1-3	000300305	4	SCREW, BIND M3X3		
1-4	----		NOT USED		
1-5	----		NOT USED		
1-6	LP0555001	1	STAR WHEEL HOLDER ASSY A		chg
1-7	LF7525001	1	PLATEN		
1-8	LP0021001	1	PAPER PRESSURE HOLDER		chg
1-9	LF4789001	1	REGISTRATION SENSOR ACTUATOR		
1-10	LF4790001	1	SENSOR ACTUATOR SPRING		
1-11	LF4800001	1	PF ENCODER DISK		
1-12	LP0060001	1	PAPER FEED MOTOR		chg
1-14	LF4809001	1	PF SENSOR PCB		
1-15	087320616	1	TAPTITE, CUP S M3X6		
1-16	LF4812001	1	PAPER PULL-IN ROLLER HOLDER		
1-16-1	LF4815001	1	AUTO SHEET FEEDER ROLLER ASSY		add
1-17	LF4818001	1	FLUSHING CASE		
1-18	LF4768001	1	TIMING BELT		ADD
2	LF7036001	1	MAINTENANCE UNIT SUPPLY ASSY	√	
2-1	LG5780001	1	PURGE CAM SWITCH		
3	LF4806001	1	JAM CLEAR COVER		
4	LF7964001	1	HEAD COVER ASSY (*1)		
4	LF7953001	1	HEAD COVER ASSY (*2)		add
5	LP0057001	1	FFC SUPPORT		add
6	LF7954001	1	CARRIAGE PCB SUPPLY ASSY		add
7	087320616	1	TAPTITE, CUP S M3X6		
8	087310815	1	TAPTITE, CUP B M3X8		
9	LF4760001	1	PURGE LEVER SPRING (LONGER)		add
10	LF4759001	1	PURGE LEVER		add
11	LF4762001	1	CLUCH GEAR		add
12	LF4763001	1	CLUCH GEAR SPRING (SHORTER)		add

*1 : For models with non-detachable carriage PCB on the print head

*2 : For models with detachable carriage PCB on the print head

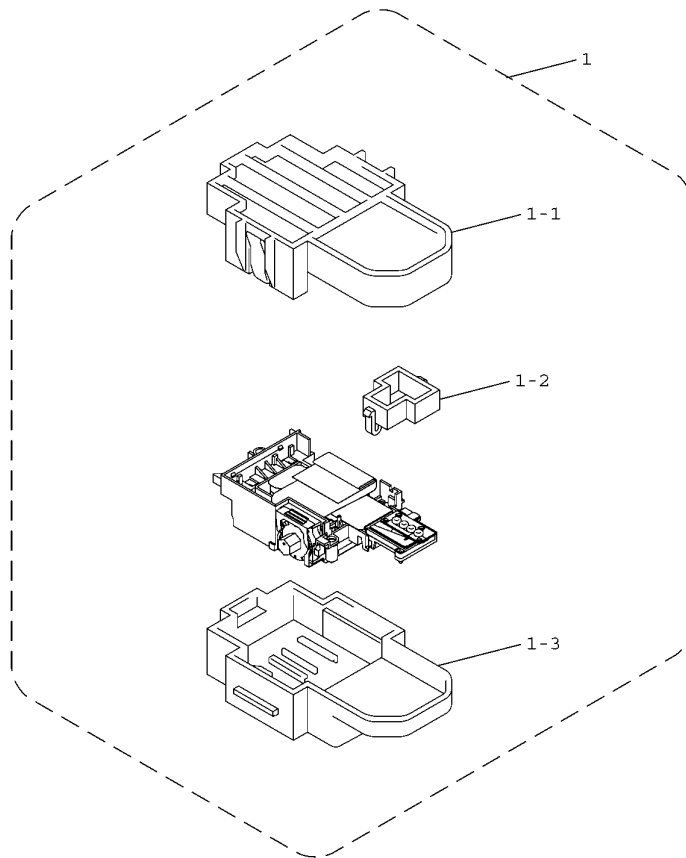
3 CARTRIDGE CASE



List3(CARTRIDGE CASE)

REF No.	CODE	QTY	DESCRIPTION	RECOMMEND	REMARK
1	LP0472002	1	INK REFILL SUPPLY ASSY EXCEPT FOR CHN	√	CHG
1	LP0472004	1	INK REFILL SUPPLY ASSY FOR CHN	√	CHG
2	LG5513001	1	LARGE VOLUME INK CARTRIDGE SENSOR		
3	LF7590001	1	HEAD JOINT RUBBER SUPPLY ASSY		

4 HEAD

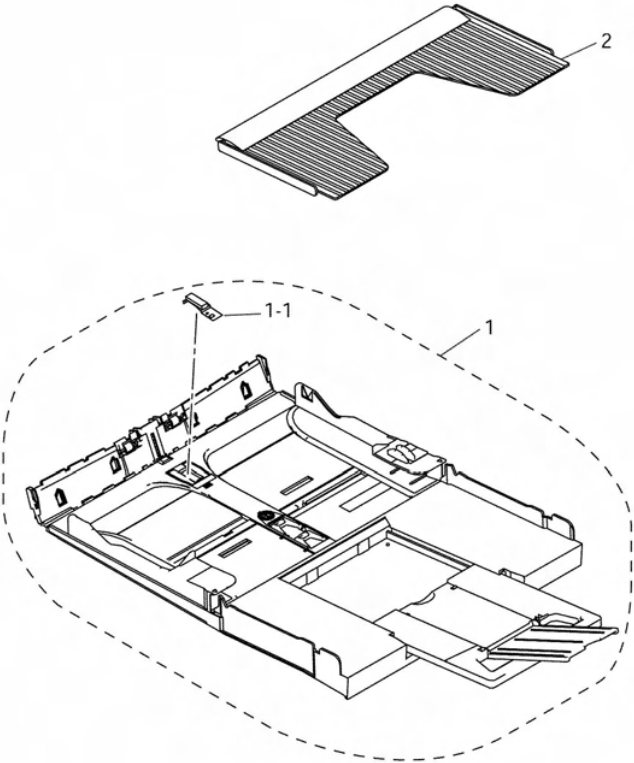


List4(HEAD)

REF No.	CODE	QTY	DESCRIPTION	RECOMMEND	REMARK
1	LK1866001	1	HEAD/CARRIAGE SUPPLY ASSY (without CARRIAGE PCB ASSY) (*).		CHG
1-1	LK1579001	1	NOZZLE PROTECTOR UPPER		
1-2	LK1581001	1	RUBBER JOINT PROTECTOR		
1-3	LK1580001	1	NOZZLE PROTECTOR LOWER		

*: Please see List 2, 6; CARRIAGE PCB SUPPLY ASSY

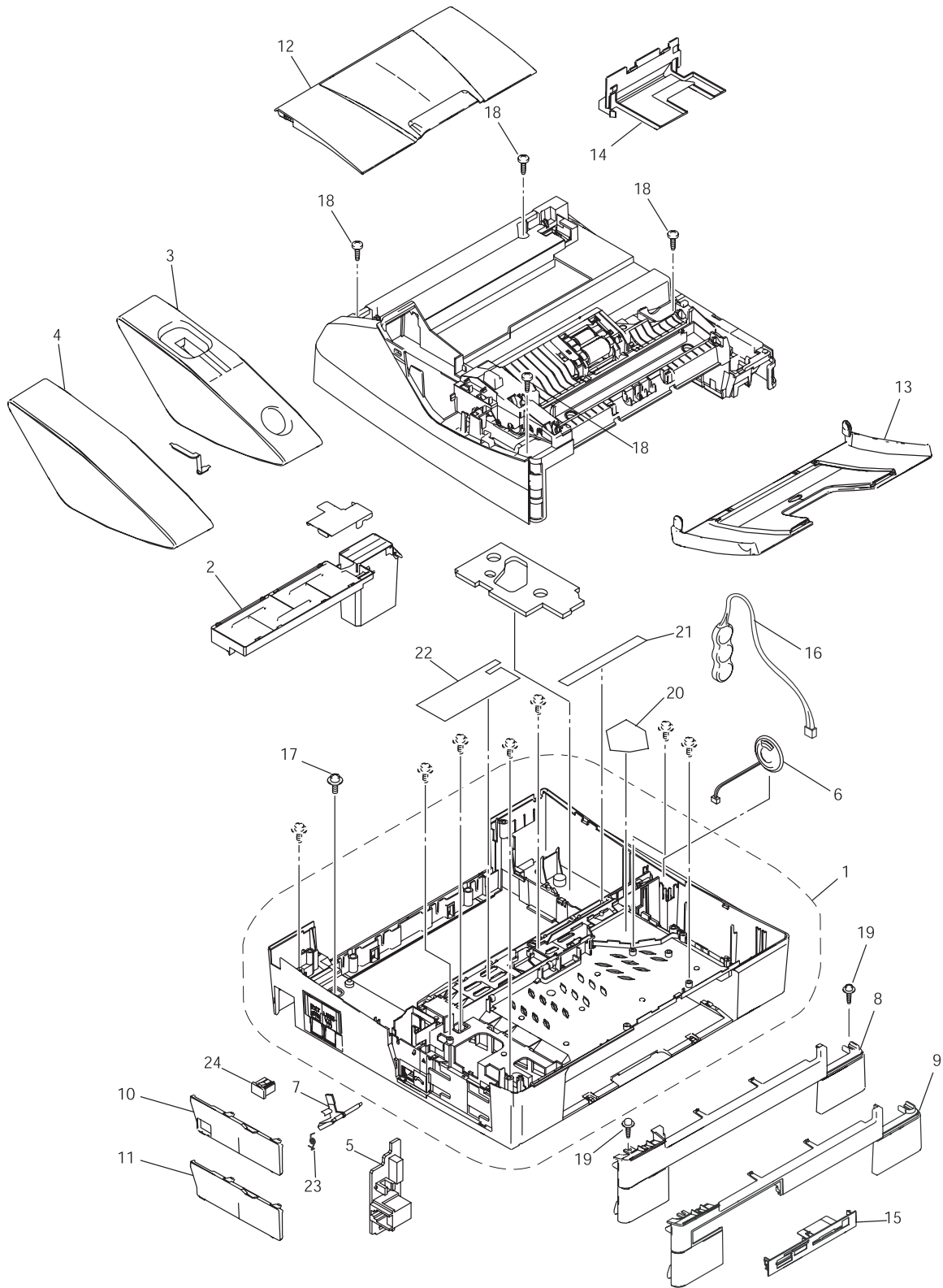
5 PAPER TRAY



List5(PAPER TRAY)

REF No.	CODE	QTY	DESCRIPTION	RECOMMEND	REMARK
1	LF4855001	1	PAPER TRAY ASSY	√	
1-1	LP0556001	1	BASE PAD ASSY		ADD
2	LF5063001	1	TRAY COVER		

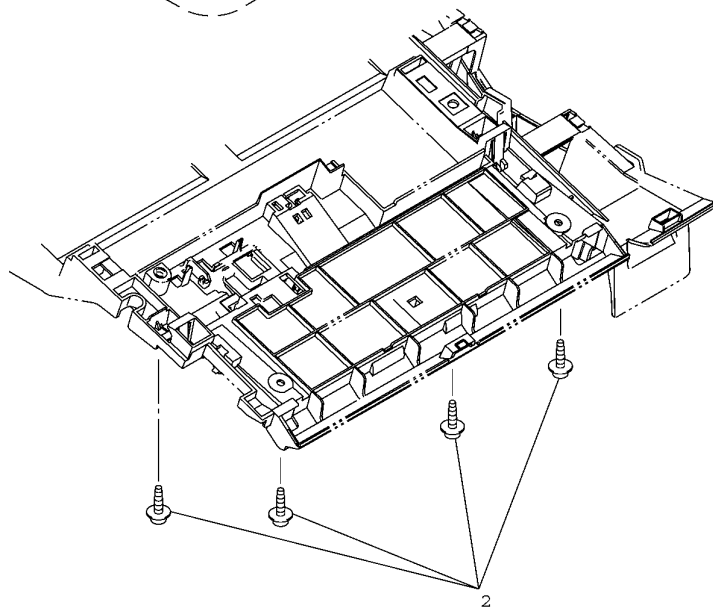
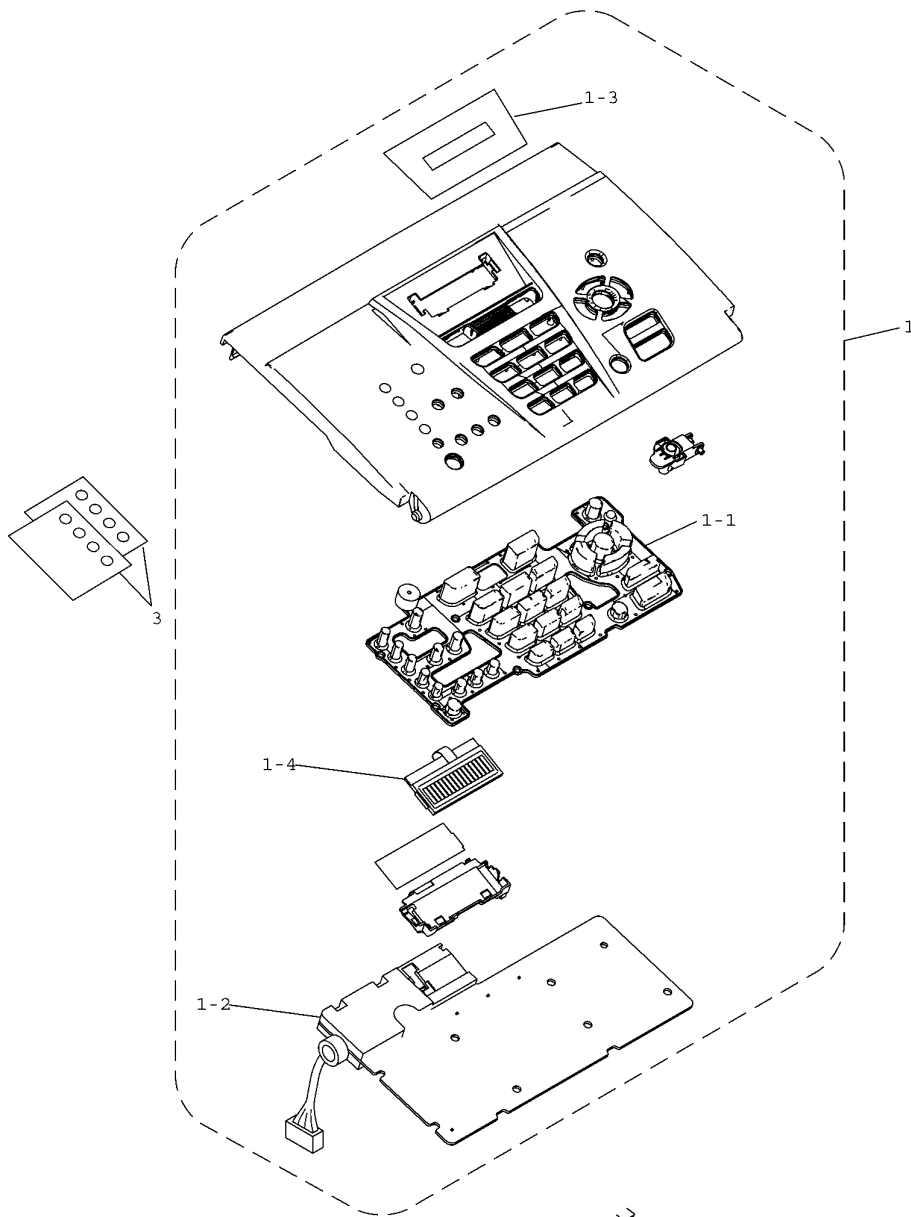
6.COVER



List6(COVER)

REF No.	CODE	QTY	DESCRIPTION	RECOMMEND	SYMBOL	REMARK
1	LF4865001	1	LOWER COVER ASSY			
2	LF7544001	1	INK ABSORBER BOX ASSY	√		
3	LF5550001	1	HANDSET MOUNT, FAX1840C/FAX1940CN			
4	LF5541002	1	BLANK COVER, FAX1835C			
4	LF5541001	1	BLANK COVER, MFC3240C/MFC3340CN			
5	LG5474001	1	HOOK SW PCB ASSY, FAX1840C/FAX1940CN			
6	LG5886001	1	SPEAKER UNIT, FAX1840C/FAX1940CN			
6	LG6024001	1	SPEAKER UNIT, MFC3240C/MFC3340CN/FAX1835C			
7	LF7153001	1	HOOK SWITCH ACTUATOR, FAX1840C/FAX1940CN			
8	LF7052002	1	FRONT COVER, FAX1835C/FAX1840C/FAX1940CN			
8	LF7052001	1	FRONT COVER, MFC3240C			
9	LF7053001	1	FRONT COVER, MFC3340CN			
10	LF7054001	1	SIDE COVER, FAX1840C/FAX1940CN			
11	LF5059001	1	SIDE COVER, FAX1835C/MFC3240C			
12	LF5542001	1	DOCUMENT SUPPORT			
13	LF5543002	1	DOCUMENT TRAY ASSY, FAX1835C/FAX1840C			
13	LF5543003	1	DOCUMENT TRAY ASSY, FAX1940CN/MFC3340CN			
13	LF5543001	1	DOCUMENT TRAY ASSY, MFC3240C			
14	LF5546001	1	HARNES COVER			
15	LF5540001	1	MEDIA MODULE COVER, MFC3340CN			
16	LG5500001	1	BATTERY, FAX1940CN			
17	UF6559001	1	SCREW PAN (WASHER) M4X8DB			
18	085411216	4	TAPTITE, BIND B M4X12			
19	087310815	2	TAPTITE, CUP B M3X8			
20	LF7105001	1	USB/LAN CONNECTION LABEL, FAX1940CN/MFC3340CN			
21	LF7262001	1	FFC GUIDE FILM			
22	LF7445001	1	TUBE GUIDE FILM			
23	LF7679001	1	ACTUATOR SPRING, FAX1840C			
24	UF5745000	1	MJ COVER, EXT FOR GER/UK/FRA/BEL/AUS/ITA			

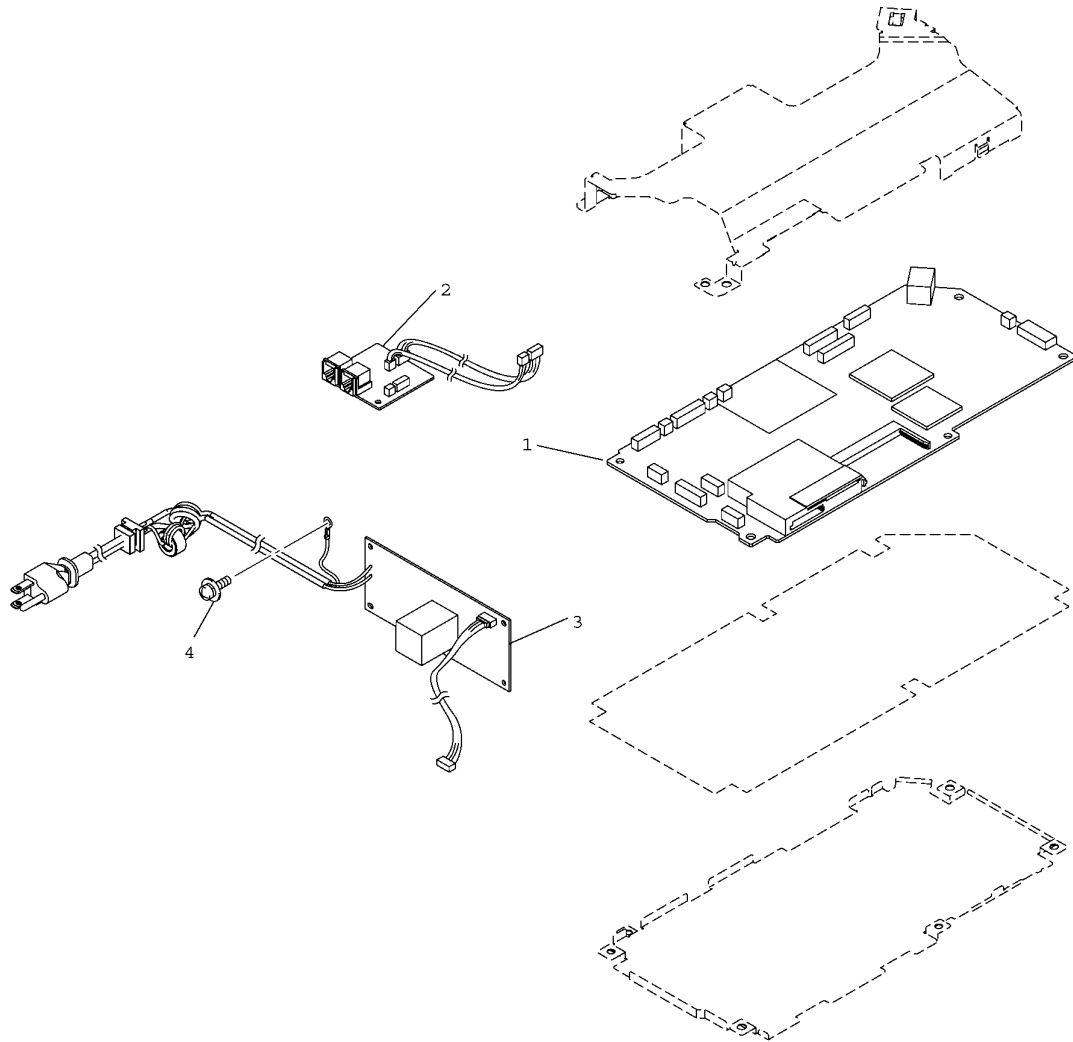
7.PANEL



List7(PANEL)

REF No.	CODE	QTY	DESCRIPTION	RECOMMEND	SYMBOL	REMARK
1	LF7761001	1	CONTROL PANEL ASSY, FAX1835C FOR GER	√		
1	LF7636001	1	CONTROL PANEL ASSY, FAX1840C FOR GER/AUS	√		
1	LF7811001	1	CONTROL PANEL ASSY, FAX1940CN FOR GER/AUS	√		
1	LF7614001	1	CONTROL PANEL ASSY, MFC3240C FOR GER	√		
1	LF7791001	1	CONTROL PANEL ASSY, MFC3340CN FOR GER	√		
1	LF7642001	1	CONTROL PANEL ASSY, FAX1840C FOR UK/BEL/IRE/GNR	√		
1	LF7890001	1	CONTROL PANEL ASSY, FAX1940CN FOR UK/CHE	√		
1	LF7616001	1	CONTROL PANEL ASSY, MFC3240C FOR UK/BEL/CHE/IRE/GNR	√		
1	LF7795001	1	CONTROL PANEL ASSY, MFC3340CN FOR UK	√		
1	LF7763001	1	CONTROL PANEL ASSY, FAX1835C FOR FRA	√		
1	LF7646001	1	CONTROL PANEL ASSY, FAX1840C FOR FRA	√		
1	LF7905001	1	CONTROL PANEL ASSY, FAX1940CN FOR FRA	√		
1	LF7621001	1	CONTROL PANEL ASSY, MFC3240C FOR FRA	√		
1	LF7798001	1	CONTROL PANEL ASSY, MFC3340CN FOR FRA	√		
1	LF7745001	1	CONTROL PANEL ASSY, FAX1840C FOR NLD	√		
1	LF7775001	1	CONTROL PANEL ASSY, MFC3240C FOR NLD	√		
1	LF7897001	1	CONTROL PANEL ASSY, FAX1835C FOR CHE	√		
1	LF7750001	1	CONTROL PANEL ASSY, FAX1840C FOR DEN/PND	√		
1	LF7781001	1	CONTROL PANEL ASSY, MFC3240C FOR DEN/PND	√		
1	LF7649001	1	CONTROL PANEL ASSY, FAX1840C FOR SPA	√		
1	LF7908001	1	CONTROL PANEL ASSY, FAX1940CN FOR SPA	√		
1	LF7624001	1	CONTROL PANEL ASSY, MFC3240C FOR SPA	√		
1	LF7804001	1	CONTROL PANEL ASSY, MFC3340CN FOR SPA	√		
1	LF7901001	1	CONTROL PANEL ASSY, FAX1835C FOR ITA	√		
1	LF7652001	1	CONTROL PANEL ASSY, FAX1840C FOR ITA	√		
1	LF7911001	1	CONTROL PANEL ASSY, FAX1940CN FOR ITA	√		
1	LF7627001	1	CONTROL PANEL ASSY, MFC3240C FOR ITA	√		
1	LF7806001	1	CONTROL PANEL ASSY, MFC3340CN FOR ITA	√		
1	LF7655001	1	CONTROL PANEL ASSY, FAX1840C FOR POR	√		
1	LF7914001	1	CONTROL PANEL ASSY, FAX1940CN FOR POR	√		
1	LF7630001	1	CONTROL PANEL ASSY, MFC3240C FOR POR	√		
1	LF7828001	1	CONTROL PANEL ASSY, FAX1840C FOR CHN	√		
1	LF7826001	1	CONTROL PANEL ASSY, MFC3240C FOR CHN	√		
1	LF7360001	1	CONTROL PANEL ASSY, FAX1840C FOR ASA/OCE	√		
1	LF7361001	1	CONTROL PANEL ASSY, MFC3240C FOR HK/ASA/OCE	√		
1-1	LF7091001	1	RUBBER KEYPAD, FAX1835C/FAX1840C FOR GER/AUS			
1-1	LF7092001	1	RUBBER KEYPAD, FAX1940CN FOR GER/AUS			
1-1	LF5961001	1	RUBBER KEYPAD, MFC3240C FOR GER			
1-1	LF5965001	1	RUBBER KEYPAD, MFC3340CN FOR GER			
1-1	LF5698001	1	RUBBER KEYPAD, FAX1835C/FAX1840C FOR UK/FRA/BEL/NLD/IRE/DEN/SPA/ITA/POR/PND/GNR			
1-1	LF5497001	1	RUBBER KEYPAD, FAX1940CN FOR UK/FRA/CHE/SPA/ITA/POR			
1-1	LF5683001	1	RUBBER KEYPAD, MFC3240C FOR UK/FRA/SPA/ITA/POR/HK/ASA/OCE			
1-1	LF5490001	1	RUBBER KEYPAD, MFC3340CN FOR UK/FRA/SPA/ITA		B53K809	CHG
1-2	LG6224003	1	CONTROL PANEL PCB ASSY, FAX1835C/FAX1840C		B53K809	CHG
1-2	LG6224004	1	CONTROL PANEL PCB ASSY, FAX1940CN		B53K809	CHG
1-2	LG6224001	1	CONTROL PANEL PCB ASSY, MFC3240C		B53K809	CHG
1-2	LG6224002	1	CONTROL PANEL PCB ASSY, MFC3340CN		B53K809	CHG
1-3	LF5968001	1	LCD SHEET, FAX1835C			
1-3	LF5967001	1	LCD SHEET, FAX1840C			
1-3	LF5975001	1	LCD SHEET, FAX1940CN			
1-3	LF5684001	1	LCD SHEET, MFC3240C			
1-3	LF5492001	1	LCD SHEET, MFC3340CN			
1-4	LG5355001	1	LCD			
2	087310815	4	TAPTITE, CUP B M3X8			
3	LF5924001	2	ADDRESS LABEL			

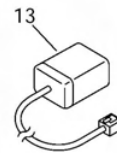
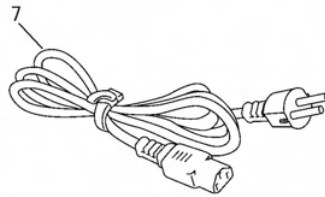
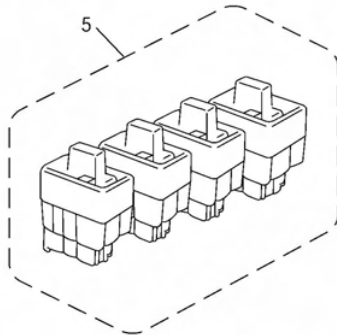
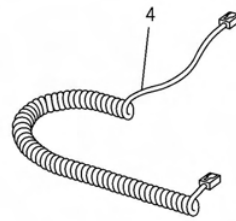
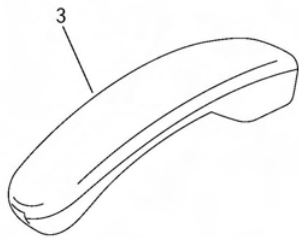
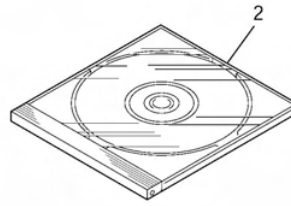
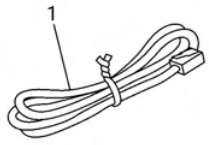
8.PCB



List8(PCB)

REF No.	CODE	QTY	DESCRIPTION	RECOMMEN	SYMBOL	REMARK
1	LG5597023	1	MAIN PCB ASSY, FAX1840C	√	B53K764	
1	LG6023031	1	MAIN PCB ASSY, FAX1835C	√	B53K764	
1	LG5622023	1	MAIN PCB ASSY, FAX1940CN EXCEPT FOR CHN	√	B53K764	
1	LG6023034	1	MAIN PCB ASSY, MFC3240C EXCEPT FOR CHN	√	B53K764	
1	LG5621022	1	MAIN PCB ASSY, MFC3340CN	√	B53K774	
1	LG5597024	1	MAIN PCB ASSY, FAX1940CN FOR CHN	√	B53K764	
1	LG6023035	1	MAIN PCB ASSY, MFC3240C FOR CHN	√	B53K764	
2	LG7371054	1	MJ PCB ASSY FOR GER/UK/FRA/BEL/NLD/CHE/IRE/DEN/AUS/SPA/ITA/POR/ PND/GNR		B53K887	CHG
2	LG7371056	1	MJ PCB ASSY FOR CHN/HK/ASA/OCE		B53K887	CHG
3	LG5544001	1	POWER SUPPLY PCB UNIT FOR GER/UK/FRA/BEL/NLD/CHE/IRE/DEN/AUS/SPA/ITA/POR/ PND/OCE/GNR	√		
3	LG6080001	1	POWER SUPPLY PCB UNIT FOR CHN	√		
3	LG5743001	1	POWER SUPPLY PCB UNIT FOR HK/ASA	√		
4	UF6559001	1	SCREW, PAN (WASHER) M4X8DB			

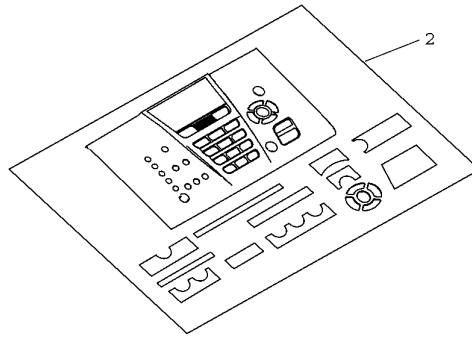
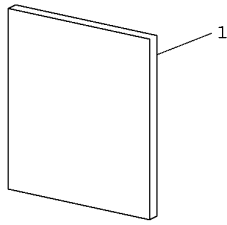
9.ACCESSORIES



List9(Accessories)

REF No.	CODE	QTY	DESCRIPTION	RECOMMEND	REMARK
1	UG3625001	1	TELEPHONE LINE CORD FOR GER		
1	UG3626001	1	TELEPHONE LINE CORD FOR UK		
1	UG3627001	1	TELEPHONE LINE CORD FOR FRA		
1	UG1575001	1	TELEPHONE LINE CORD FOR BEL		
1	LG3077001	1	TELEPHONE LINE CORD FOR NLD/IRE/SPA/POR/CHN/ASA/OCE/GNR		
1	LG7202001	1	TELEPHONE LINE CORD FOR CHE		CHG
1	LG5827001	1	TELEPHONE LINE CORD FOR DEN/PND		
1	UG4205001	1	TELEPHONE LINE CORD FOR AUS		
1	UG3634001	1	TELEPHONE LINE CORD FOR ITA		
1	UG3290001	1	TELEPHONE LINE CORD FOR HK/OCE		
2	LF5429001	1	CD-ROM ASSY, WIN, MFC3240C FOR GER/UK/FRA/HK/ASA/OCE		
2	LF5433001	1	CD-ROM ASSY, WIN, MFC3340CN FOR GER/UK/FRA		
2	LF5431001	1	CD-ROM ASSY, WIN, MFC3240C FOR BEL/NLD/PND/GNR		
2	LF5432001	1	CD-ROM ASSY, WIN, MFC3240C FOR DEN/PND		
2	LF5430001	1	CD-ROM ASSY, WIN, MFC3240C FOR SPA/ITA/POR		
2	LF5434001	1	CD-ROM ASSY, WIN, MFC3340CN FOR SPA/ITA		
2	LF7866001	1	CD-ROM ASSY, WIN, MFC3240C FOR CHN		
2	LF5439001	1	CDROM ASSY, MAC, MFC3240C FOR GER/UK/FRA/CHE/IRE/AUS/SPA/ITA/POR/HK/ASA/OCE		
2	LF5440001	1	CDROM ASSY, MAC, MFC3240C FOR BEL/NLD/DEN/PND/GNR		
3	LF1518016	1	HANDSET ASSY, FAX1840C/FAX1940CN		chg
4	LG3768011	1	HANDSET CURLED CORD ASSY, FAX1840C/FAX1940CN		
5	LF7986001	1	PROTECTION CARTRIDGE SUPPLY ASSY		chg
6	LF7430004	3	PROTECTION CARTRIDGE, COLOR		del
7	LG5717001	1	AC CORD BAG ASSY, VDE FOR GER/FRA/BEL/NLD/AUS/SPA/ITA/POR/ASA/PND/GNR		
7	LG5692001	1	AC CORD BAG ASSY FOR UK/IRE/HK/ASA		
7	LG5732001	1	AC CORD BAG ASSY, SEV FOR CHE		
7	LG5736001	1	AC CORD BAG ASSY, DEMCO FOR DEN		
7	LG5735001	1	AC CORD BAG ASSY FOR CHN		
7	LG5734001	1	AC CORD BAG ASSY, SAA FOR OCE		
8	LG3622001	1	TELEPHONE PLUG FOR NLD		
9	LG3509001	1	TELEPHONE PLUG FOR OCE		
(10)	LG5830001	1	TELEPHONE PLUG FOR PND<SWEDEN>		
(11)	LG5829001	1	TELEPHONE PLUG FOR PND<FINLAND>		
(12)	LG5828001	1	TELEPHONE PLUG FOR PND<DENMARK>		
13	UG3468000	1	BT-MJ ADAPTER FOR HK		

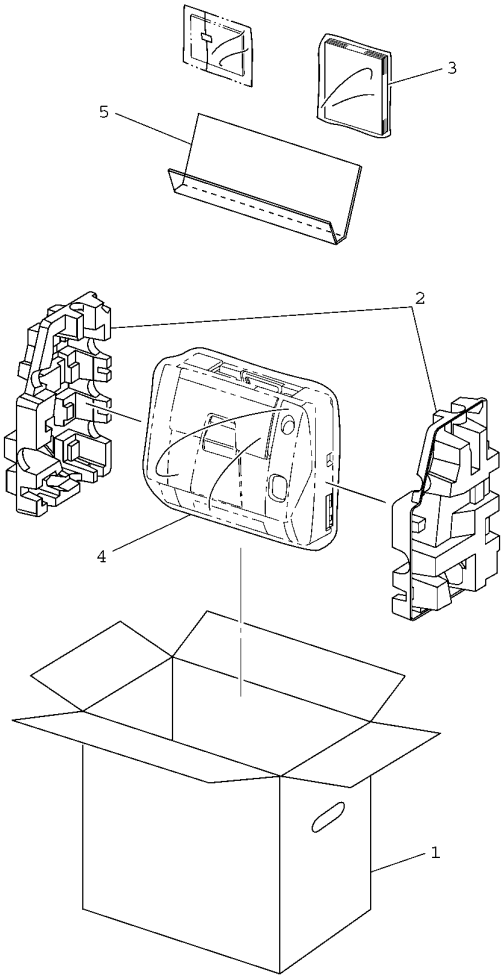
10.PRINTED MATERIALS



List10(PRINTED MATERIALS)

REF No.	CODE	QTY	DESCRIPTION	RECOMMEND	REMARK
1	LF7538003	1	USER'S GUIDE, FAX1835C/FAX1840C/FAX1940CN FOR GER/AUS		
1	LF7535003	1	USER'S GUIDE, MFC3240C/MFC3340CN FOR GER/AUS		
1	LF7538004	1	USER'S GUIDE, FAX1840C/FAX1940CN FOR UK/IRE/GNR		
1	LF7535004	1	USER'S GUIDE, MFC3240C/MFC3340CN FOR UK/IRE/GNR		
1	LF7538005	1	USER'S GUIDE, FAX1835C/FAX1840C/FAX1940CN FOR FRA		
1	LF7535005	1	USER'S GUIDE, MFC3240C/MFC3340CN FOR FRA		
1	LF7538008	1	USER'S GUIDE, FAX1840C FOR BEL <DUTCH>		
1	LF7539008	1	USER'S GUIDE, FAX1835C/FAX1840C/FAX1940CN FOR BEL/CHE <FRENCH>		
1	LF7535008	1	USER'S GUIDE, MFC3240C FOR BEL <DUTCH>		
1	LF7536008	1	USER'S GUIDE, MFC3240C FOR BEL/CHE <FRENCH>		
1	LF7538009	1	USER'S GUIDE, FAX1840C FOR NLD		
1	LF7535009	1	USER'S GUIDE, MFC3240C FOR NLD		
1	LF7538010	1	USER'S GUIDE, FAX1835C/FAX1940CN FOR CHE <GERMAN>		
1	LF7535010	1	USER'S GUIDE, MFC3240C FOR CHE <GERMAN>		
1	LF7538013	1	USER'S GUIDE, FAX1840C FOR DEN		
1	LF7535013	1	USER'S GUIDE, MFC3240C FOR DEN/PND		
1	LF7538015	1	USER'S GUIDE, FAX1840C/FAX1940CN FOR SPA		
1	LF7535015	1	USER'S GUIDE, MFC3240C/MFC3340CN FOR SPA		
1	LF7538016	1	USER'S GUIDE, FAX1835C/FAX1840C/FAX1940CN FOR ITA		
1	LF7535016	1	USER'S GUIDE, MFC3240C/MFC3340CN FOR ITA		
1	LF7538018	1	USER'S GUIDE, FAX1840C/FAX1940CN FOR POR		
1	LF7535018	1	USER'S GUIDE, MFC3240C FOR POR		
1	LF7932001	1	USER'S GUIDE, FAX1840C FOR CHN		
1	LF7959001	1	USER'S GUIDE, MFC3240C FOR CHN		
1	LF7538007	1	USER'S GUIDE, FAX1840C FOR PND <NORWEGIAN>		
1	LF7538012	1	USER'S GUIDE, FAX1840C FOR PND <FINNISH>		
1	LF7538013	1	USER'S GUIDE, FAX1840C FOR PND <DANISH>		
1	LF7538026	1	USER'S GUIDE, FAX1840C FOR PND <SWEDISH>		
1	LF7535057	1	USER'S GUIDE, MFC3240C FOR PND		
1	LF7540001	1	USER'S GUIDE, FAX1840C FOR ASA/OCE		
1	LF7537001	1	USER'S GUIDE, MFC3240C FOR HK/ASA/OCE		
2	----		NOT USED		

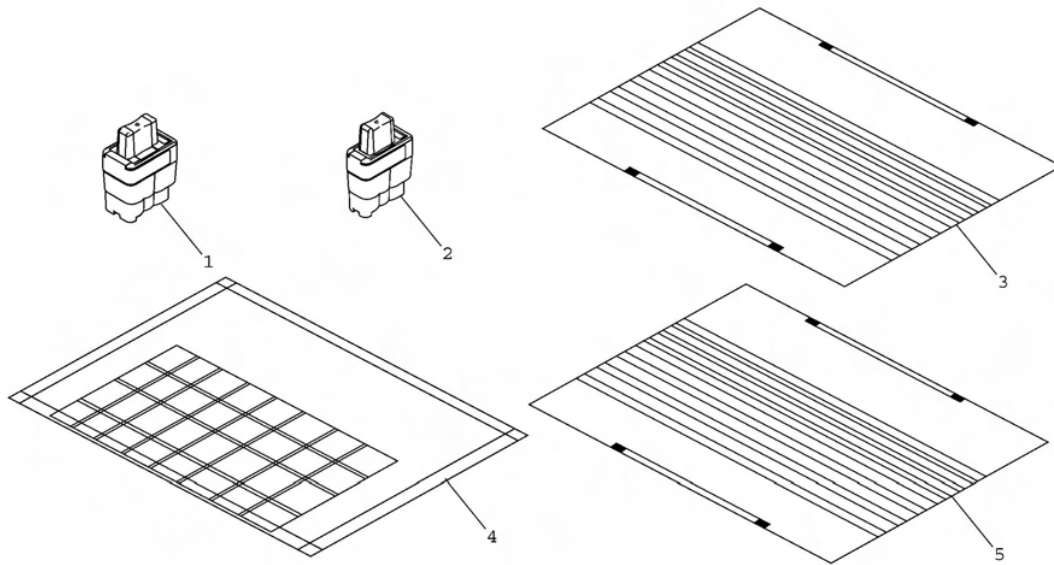
11.PACKAGING



List11(PACKAGING)

REF No.	CODE	QTY	DESCRIPTION	RECOMMEND	REMARK
1	LF5742001	1	CARTON, BROTHER, FAX1835C	√	
1	LF5745001	1	CARTON, BROTHER, FAX1840C EXCEPT FOR CHN	√	
1	LF7940001	1	CARTON, BROTHER, FAX1840C FOR CHN	√	
1	LF7933001	1	CARTON, BROTHER, MFC3240C FOR CHN	√	
1	LF5748001	1	CARTON, BROTHER, FAX1940CN	√	
1	LF5736001	1	CARTON, BROTHER, MFC3240C FOR GER/UK/FRA/BEL/NLD/CHE/IRE/DEN/AUS/SPA/ITA/POR/PND/GNR	√	
1	LF7707001	1	CARTON, BROTHER, MFC3240C FOR HK/ASA/OCE	√	
1	LF5739001	1	CARTON, BROTHER, MFC3340CN	√	
2	LF5483001	1	PULP CUSHION ASSY		
3	LF7563001	1	QUICK SETUP GUIDE, FAX1835C/FAX1840C/FAX1940CN FOR		
3	LF7547001	1	QUICK SETUP GUIDE, MFC3240C/MFC3340CN FOR GER/AUS		
3	LF7561001	1	QUICK SETUP GUIDE, FAX1840C/FAX1940CN FOR UK/IRE		
3	LF7545001	1	QUICK SETUP GUIDE, MFC3240C/MFC3340CN FOR UK/IRE		
3	LF7562001	1	QUICK SETUP GUIDE, FAX1835C/FAX1840C/FAX1940CN FOR FRA		
3	LF7546001	1	QUICK SETUP GUIDE, MFC3240C/MFC3340CN FOR FRA		
3	LF7568001	1	QUICK SETUP GUIDE, FAX1835C/FAX1840C/FAX1940CN FOR BEL/CHE <FRENCH>		
3	LF7567001	1	QUICK SETUP GUIDE, FAX1840C FOR BEL <DUTCH>		
3	LF7552001	1	QUICK SETUP GUIDE, MFC3240C FOR BEL/CHE <FRENCH>		
3	LF7551001	1	QUICK SETUP GUIDE, MFC3240C FOR BEL <DUTCH>		
3	LF7570001	1	QUICK SETUP GUIDE, FAX1840C FOR NLD		
3	LF7554001	1	QUICK SETUP GUIDE, MFC3240C FOR NLD		
3	LF7569001	1	QUICK SETUP GUIDE, FAX1835C/FAX1940CN FOR CHE <GERMAN>		
3	LF7553001	1	QUICK SETUP GUIDE, MFC3240C FOR CHE <GERMAN>		
3	LF7571001	1	QUICK SETUP GUIDE, FAX1840C FOR DEN/PND <DANISH>		
3	LF7555001	1	QUICK SETUP GUIDE, MFC3240C FOR DEN/PND <DANISH>		
3	LF7565001	1	QUICK SETUP GUIDE, FAX1840C/FAX1940CN FOR SPA		
3	LF7549001	1	QUICK SETUP GUIDE, MFC3240C/MFC3340CN FOR SPA		
3	LF7564001	1	QUICK SETUP GUIDE, FAX1835C/FAX1840C/FAX1940CN FOR ITA		
3	LF7548001	1	QUICK SETUP GUIDE, MFC3240C/MFC3340CN FOR ITA		
3	LF7566001	1	QUICK SETUP GUIDE, FAX1840C/FAX1940CN FOR POR		
3	LF7550001	1	QUICK SETUP GUIDE, MFC3240C FOR POR		
3	LF7936001	1	QUICK SETUP GUIDE, FAX1840C FOR CHN		
3	LF7960001	1	QUICK SETUP GUIDE, MFC3240C FOR CHN		
3	LF7576001	1	QUICK SETUP GUIDE, FAX1840C FOR ASA/OCE		
3	LF7560001	1	QUICK SETUP GUIDE, MFC3240C FOR HK/ASA/OCE		
3	LF7573001	1	QUICK SETUP GUIDE, FAX1840C FOR PND <NORWEGIAN>		
3	LF7557001	1	QUICK SETUP GUIDE, MFC3240C FOR PND <NORWEGIAN>		
3	LF7575001	1	QUICK SETUP GUIDE, FAX1840C FOR PND <FINNISH>		
3	LF7559001	1	QUICK SETUP GUIDE, MFC3240C FOR PND <FINNISH>		
3	LF7574001	1	QUICK SETUP GUIDE, FAX1840C FOR PND <SWEDISH>		
3	LF7558001	1	QUICK SETUP GUIDE, MFC3240C FOR PND <SWEDISH>		
3	LP0006001	1	QUICK SETUP GUIDE, FAX1840C FOR GNR <CZECH/HUNGARIAN/POLISH>		CHG
3	LP0007001	1	QUICK SETUP GUIDE, FAX1840C FOR GNR <ENGLISH/BULGARIAN/ROMANIAN>		ADD
3	LP0008001	1	QUICK SETUP GUIDE, MFC3240C FOR GNR <CZECH/HUNGARIAN/POLISH>		CHG
3	LP0009001	1	QUICK SETUP GUIDE, MFC3240C FOR GNR <ENGLISH/BULGARIAN/ROMANIAN>		ADD
4	LE3605001	1	PE BAG 800X900H		
5	LF7228001	1	ACCESSORIES D		

12. OTHERS



List12(OTHERS)

REF No.	CODE	QTY	DESCRIPTION	RECOMMEND	REMARK
1	LK1349001	1	DUMMY CARTRIDGE, BLACK < For ink drainage >		
2	LK1350001	3	DUMMY CARTRIDGE, COLOR < For ink drainage >		
3	UF8263001	1	TEST CHART-027		
4	UF9258001	1	COLOR TEST CHART CTC-001		
5	UF4600001	1	CONTRAST CHART TC-023		

brother[®]

PL-FAX101
8XA930
Ver. N-1