



**FACSIMILE EQUIPMENT
PARTS REFERENCE LIST**

**MODEL: FAX1860C / FAX1960C /
MFC3360C**

© Copyright Brother 2006

All rights reserved

No part of this publication may be reproduced in any form
or by any means without permission in writing from the
publisher.

Specifications are subject to change without prior notice.

NOTES FOR USING THIS PARTS REFERENCE LIST

1. In the case of ordering parts, it needs mentioning the following items:

- (1) Code
- (2) Q' ty
- (3) Description
- (4) Recommend (The \checkmark mark is attached to recommend parts at this column.)
- (5) Symbol (PCB No., Revision, and Parts location mounted on the PCB.)

Note: Orders without Parts Code or Tool No. can not be accepted.

[Example]

	(1)	(2)	(3)	(4)	(5)	
REF.NO.	CODE	Q' TY	DESCRIPTION	RECOMMEND	SYMBOL	REMARKS

2. Design-changed parts:

When the parts are changed, any one of the following symbols is mentioned in the REMARKS column.

CHG (chg): The part is changed to a new part.

ADD (add): The part is newly added.

DEL (del): The part is deleted.

Symbol in capital letters indicates that the change is the latest one in the page.

3. Parts change will be informed by the technical information.

COUNTRIES

U.S.A. ---- US

CANADA ---- CAN

GERMANY ---- GER

UNITED KINGDOM ---- UK

NETHERLANDS ---- NLD

SPAIN ---- SPA

ITALY ---- ITA

PORTUGAL ---- POR

CHINA ---- CHN

ARGENTINA ---- ARG

CHILE ---- CHL

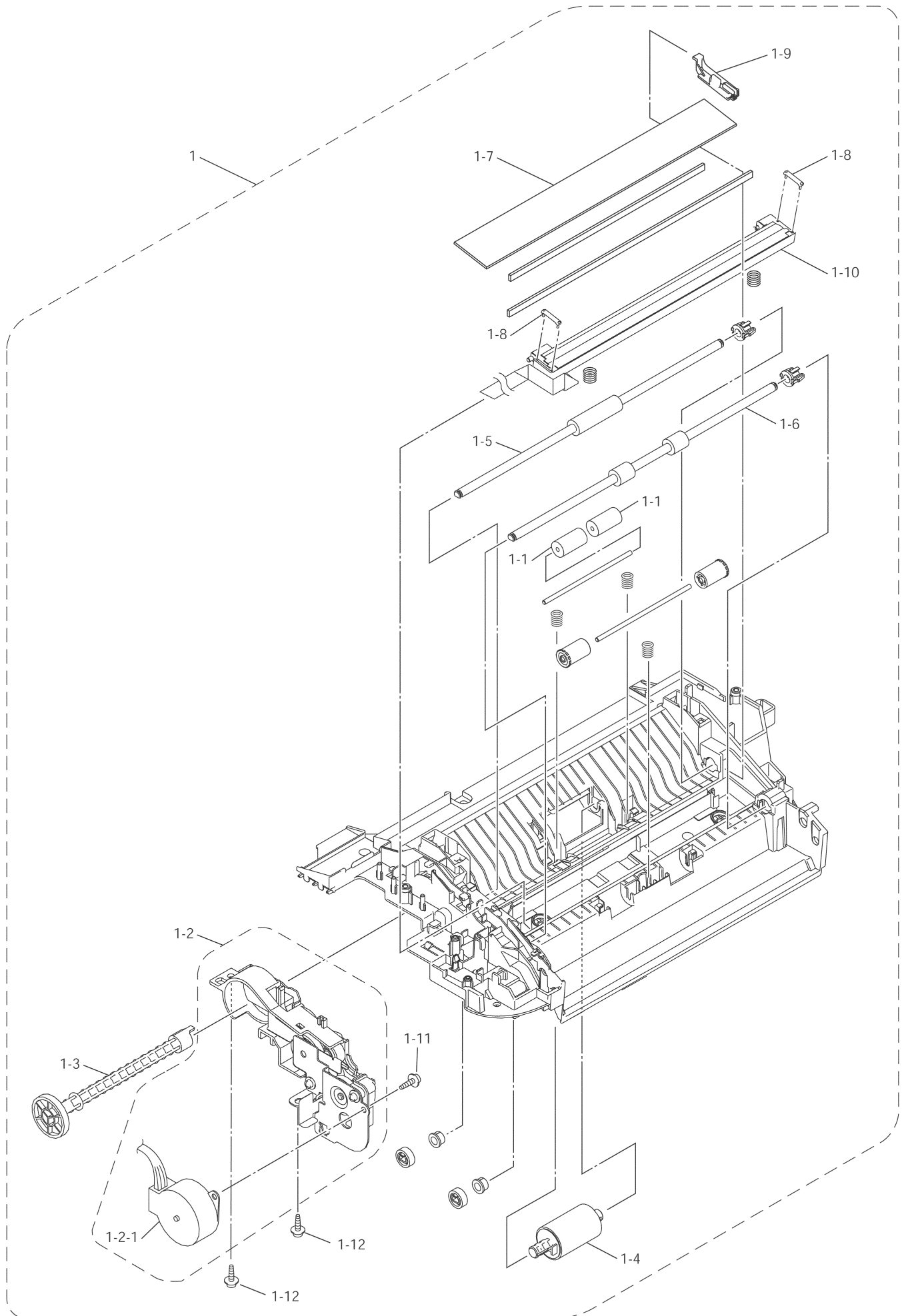
ASIA (SINGAPORE & GULF) ---- ASA

OCEANIA (AUSTRALIA & NEW ZEALAND) ---- OCE

CONTENTS

1.	<u>SCANNER</u>	1
2.	<u>ENGINE</u>	3
3.	<u>CARTRIDGE CASE</u>	5
4.	<u>HEAD</u>	7
5.	<u>PAPER TRAY</u>	9
6.	<u>COVER</u>	11
7.	<u>PANEL</u>	13
8.	<u>PCB</u>	16
9.	<u>ACCESSORIES</u>	18
10.	<u>PRINTED MATERIALS</u>	21
11.	<u>PACKAGING</u>	23
12.	<u>OTHERS</u>	27

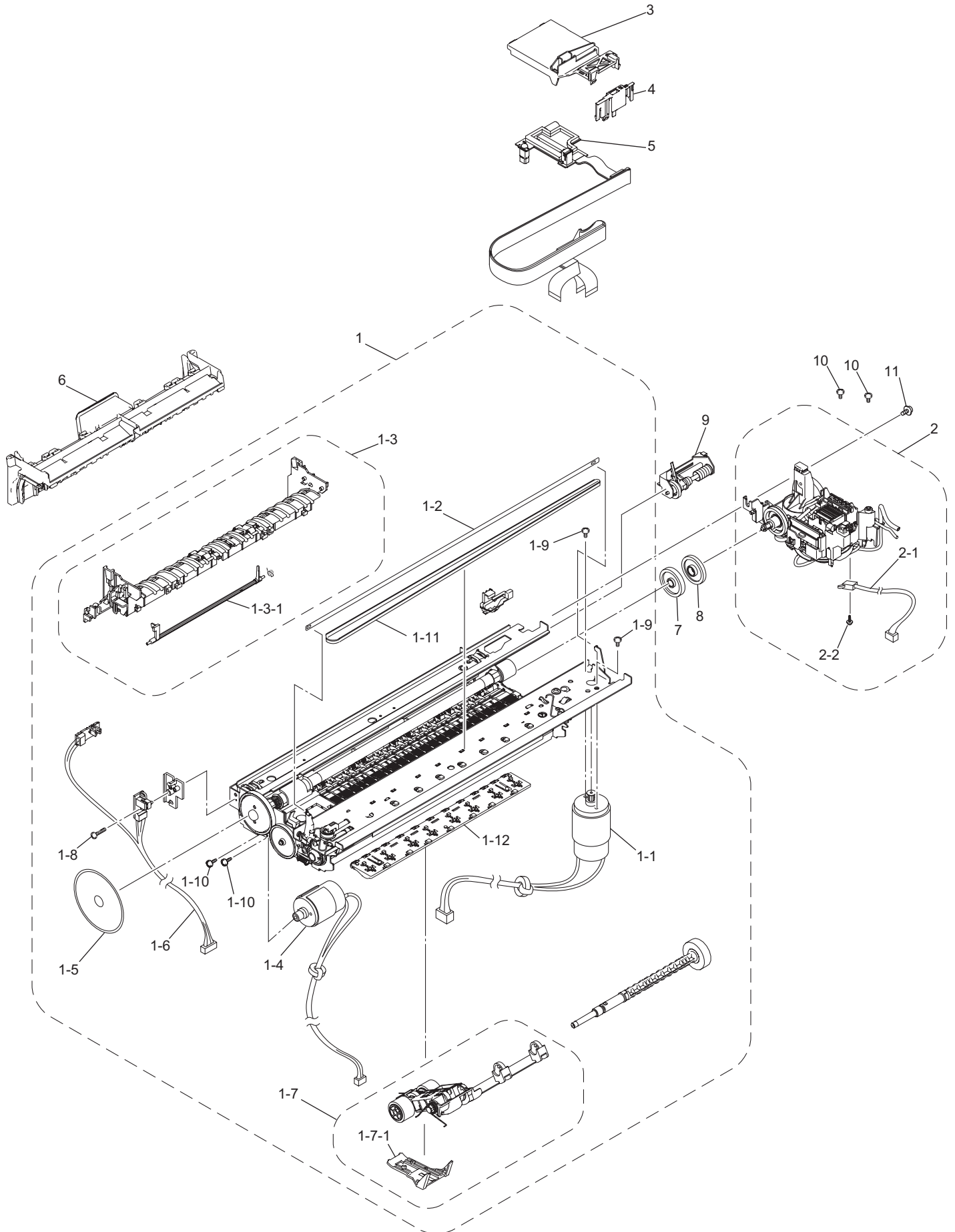
1. SCANNER



List1(SCANNER)

REF No.	CODE	Q'TY	DESCRIPTION	RECOMMEND	SYMBOL	REMARKS
1	LP5242001	1	DOCUMENT CHUTE ASSY (SP)			
1-1	UF9009001	2	PRESSER ROLLER			
1-2	LP1728001	1	SCANNER DRIVE UNIT			
1-2-1	LP1737001	1	SCANNING MOTOR			
1-3	LP1739001	1	SEPARATION ROLLER GEAR			
1-4	LP1740001	1	DOCUMENT SEPARATION ROLLER			
1-5	LX3222001	1	DOCUMENT FEED ROLLER			CHG
1-6	LX3223001	1	DOCUMENT EJECTION ROLLER			CHG
1-7	LF5523001	1	CIS GLASS			
1-8	LF5524001	2	CIS SPACER			
1-9	LF5525001	1	GLASS STOPPER			
1-10	LG7406001	1	CIS UNIT			chg
1-11	087320616	1	TAPTITE CUP S M3X6			
1-12	087310816	2	TAPTITE CUP B M3X8			

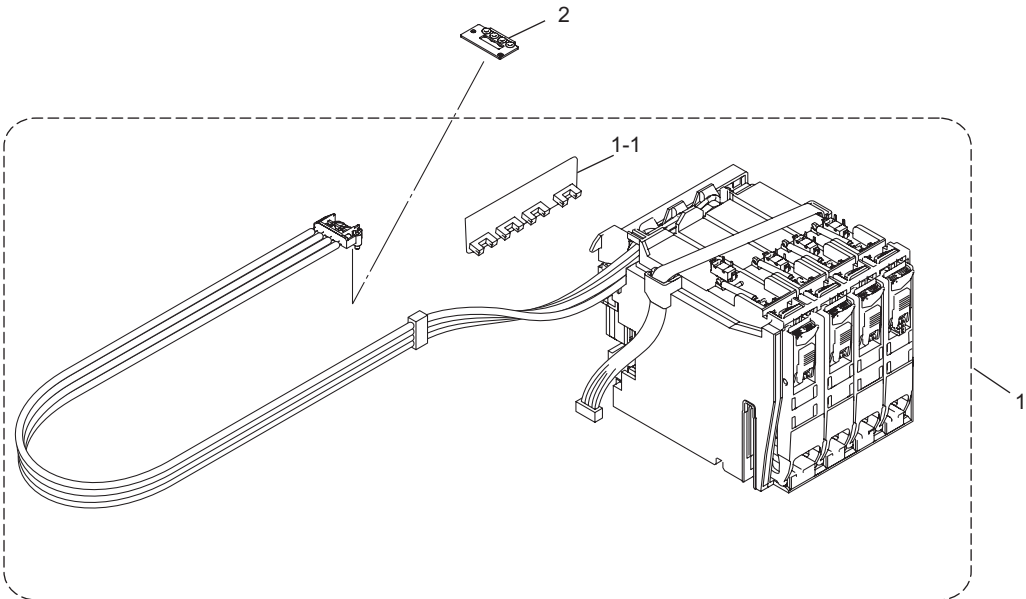
2.ENGINE



List2(ENGINE)

REF No.	CODE	QTY	DESCRIPTION	RECOMMEND	REMARKS
1	LP3572001	1	ENGINE UNIT ASSY(SP)		
1-1	LP1956001	1	CARRIAGE MOTOR ASSY		
1-2	LP1034001	1	CR ENCODER STRIP		
1-3	LP3092005	1	INNER CHUTE ASSY		
1-3-1	LP1059001	1	REGISTRATION SENSOR ACTUATOR		
1-4	LP1957001	1	PAPER FEED MOTOR ASSY		
1-5	LP1471001	1	PF ENCODER DISK		
1-6	LG7103001	1	PF ENCODER/REGISTRATION SENSOR HARNESS		
1-7	LP1088001	1	PAPER PULL-IN ROLLER HOLDER ASSY		
1-7-1	LP1091001	1	PE ACTUATOR		add
1-8	000021206	1	SCREW BIND M2X12		
1-9	000300606	2	SCREW BIND M3X6		
1-10	000260406	2	SCREW BIND M2.6X4		
1-11	LP1033001	1	TIMING BELT		
1-12	LP1041001	1	STAR WHEEL HOLDER ASSY		ADD
(1-12-1)	LP0271001	8	STAR WHEEL W2		ADD
(1-12-2)	LF5927001	13	SATR WHEEL S		ADD
2	LS2022001	1	MAINTENANCE UNIT ASSY (SP)		chg
2-1	LG6913001	1	PURGE CAM SWITCH HARNESS ASSY		
2-2	LF7138001	1	TAPTITE PAN2 1.7X8		
3	LP5946001	1	HEAD COVER ASSY		chg
4	LP1148001	1	FFC SUPPORT		
5	LS2023001	1	CARRIAGE PCB UNIT ASSY (SP)		chg
6	LP1154005	1	JAM CLEAR COVER ASSY		
7	LP1933001	1	SF CHANGEOVER GEAR		
8	LP1934001	1	HS CHANGEOVER GEAR		
9	LP1102001	1	MODE SWITCHING LEVER & CLUTCH GEAR ASSY		
10	085310816	2	TAPTITE BIND B M3X8		
11	087320616	1	TAPTITE CUP S M3X6		

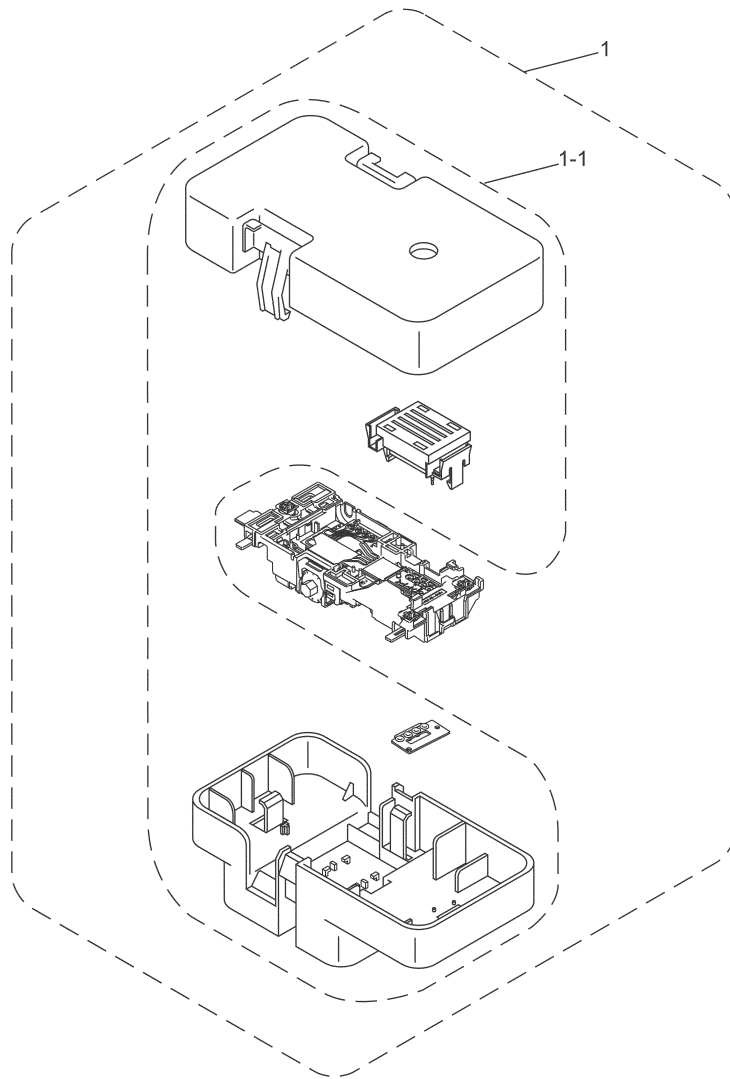
3. CARTRIDGE CASE



List3(CARTRIDGE CASE)

REF No.	CODE	Q'TY	DESCRIPTION	RECOMMEND	SYMBOL	REMARKS
1	LP5249001	1	INK REFILL ASSY (SP), EXCEPT FOR CHN			
1	LP5548001	1	INK REFILL ASSY (SP), FOR CHN			
1-1	LG6725001	1	CARTRIDGE PCB ASSY		B53K869	add ADD
2	LP3539001	1	HEAD JOINT RUBBER (SP)			

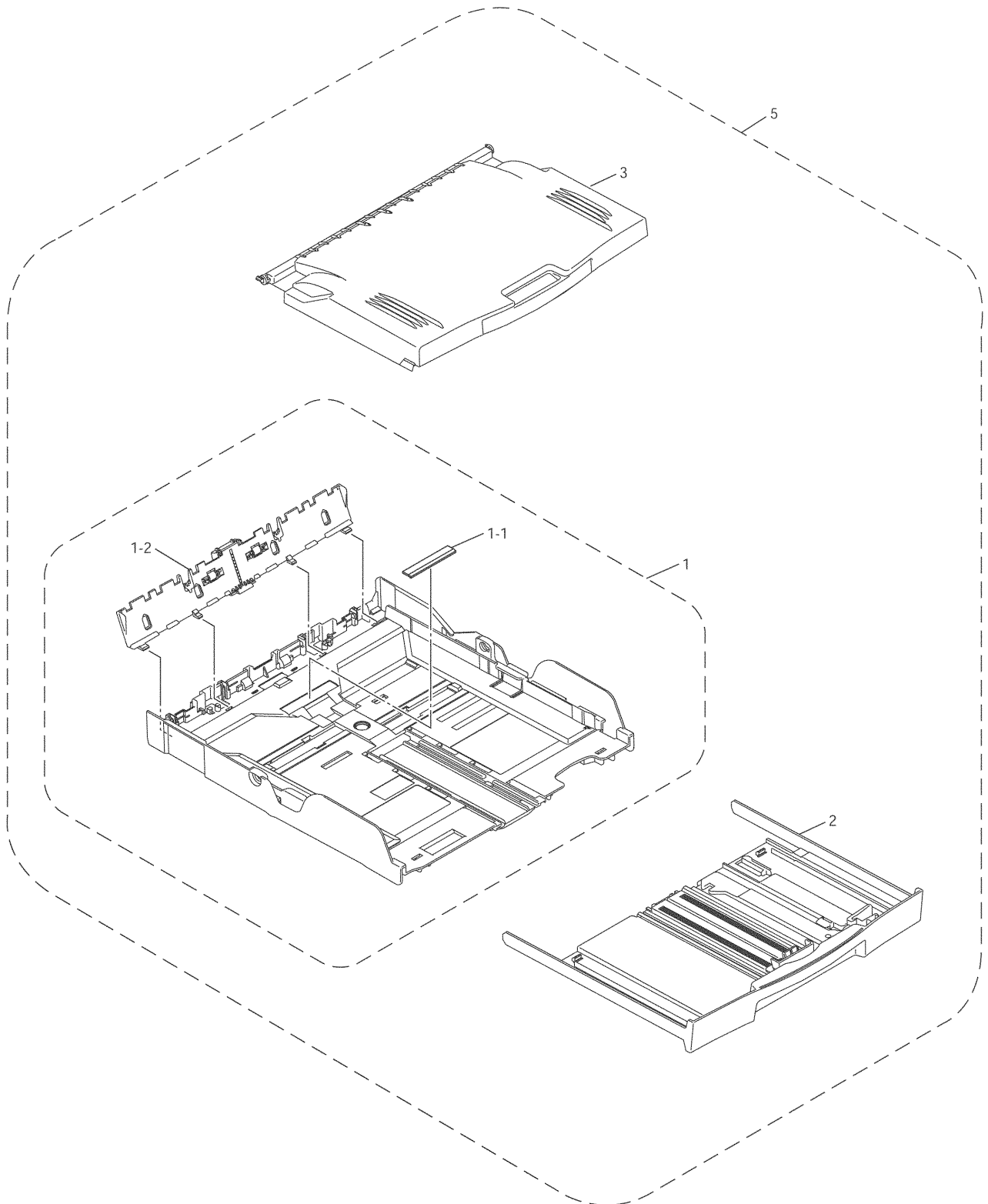
4. HEAD



List4(HEAD)

REF No	CODE	Q'TY	DESCRIPTION	RECOMMEND	REMARKS
1	LK2179001	1	HEAD/CARRIAGE UNIT SUPPLY ASSY(SP) (without CARRIAGE PCB ASSY)		
1-1	LK2491001	1	PROTECTOR PARTS SUPPLY ASSY(SP)		

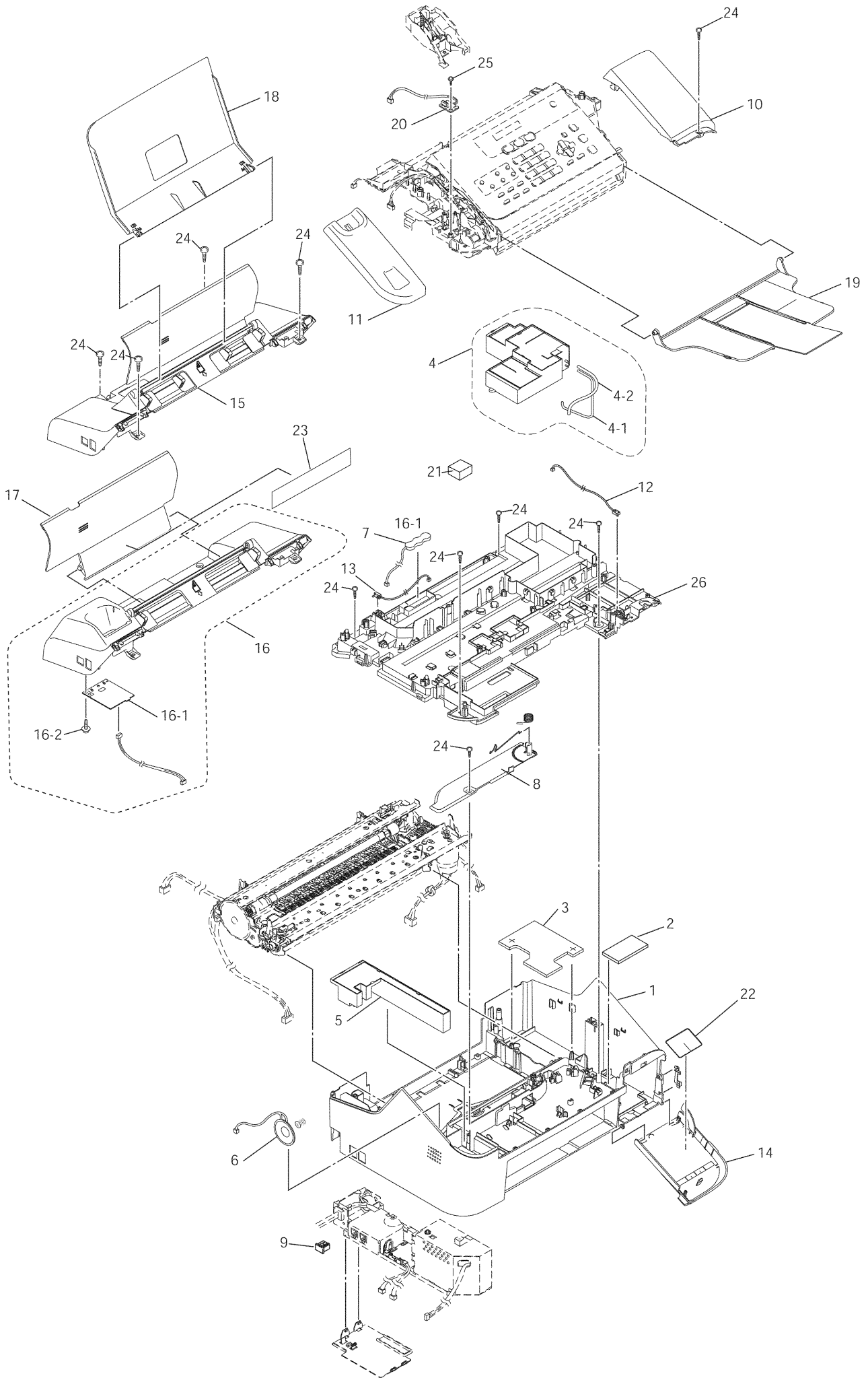
5. PAPER TRAY



List5(PAPER TRAY)

REF No.	CODE	Q'TY	DESCRIPTION	RECOMMEND	REMARKS
1	LP1752011	1	PAPER TRAY ASSY		
1-1	LP1575001	1	BASE PAD		
1-2	LP1246001	1	BANK ASSY		
2	LP1755011	1	PAPER TRAY EXTENSION ASSY		
3	LP1758011	1	PAPER TRAY COVER ASSY		
4	---		N/A		
5	LS2008001	1	PAPER TRAY ASSY (SP)	√	CHG

6. COVER



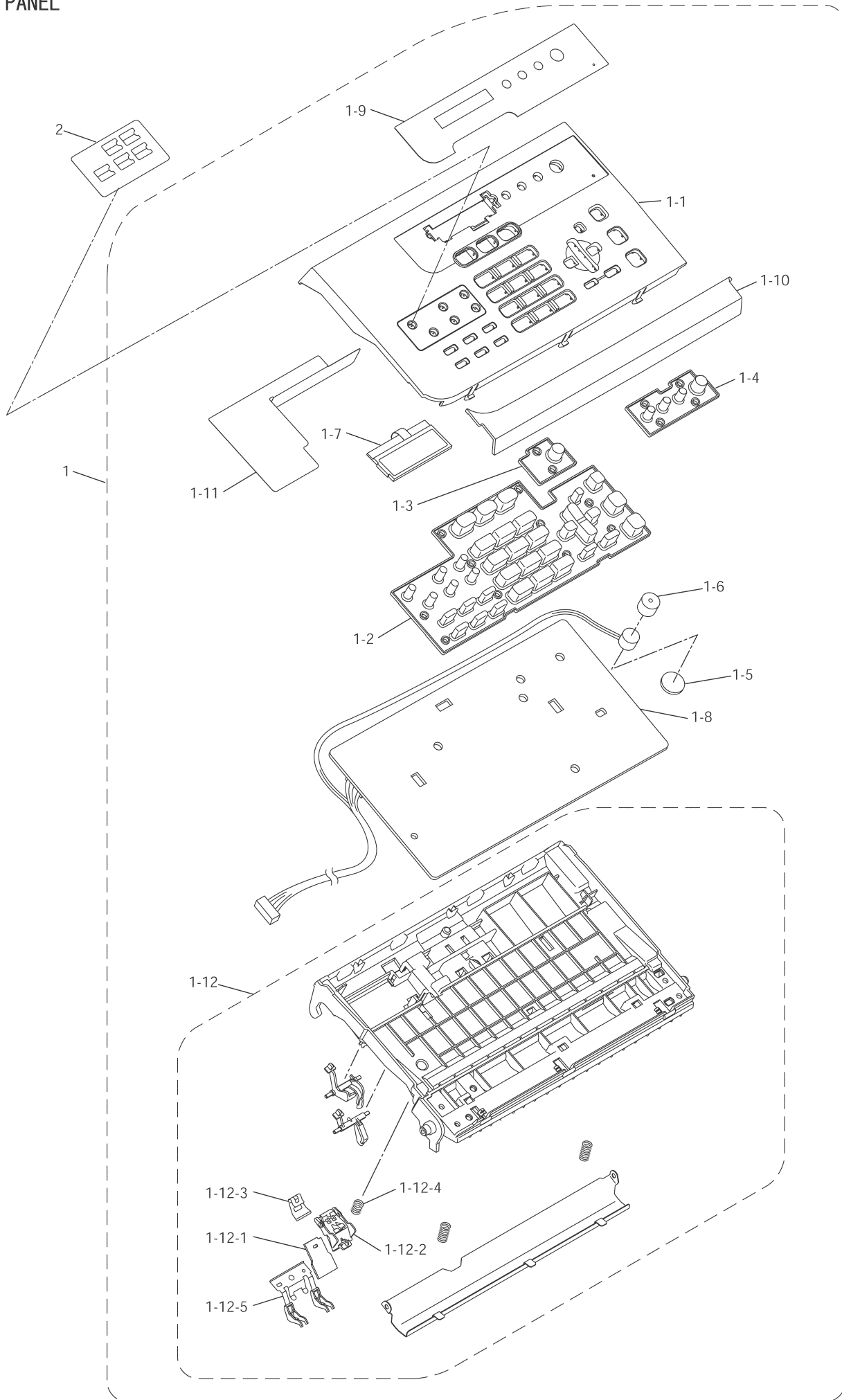
List6(COVER)

REF No.	CODE	Q'TY	DESCRIPTION	RECOMMEND	SYMBOL	REMARKS
1	LP1761011	1	LOWER COVER ASSY			
2	LP1233001	1	INK ABSORBER FELT			
3	LP3035001	1	INK ABSORBER FELT			
4	LP5939001	1	INK ABSORBER ASSY (SP)			
4-1	LP1960001	1	MAIN DRAIN TUBE			chg
4-2	LP1959001	1	OPENING TUBE TO THE ATMOSPHERIC AIR			add
5	LP1769001	1	FLUSHING BOX ASSY	√		add
6	LG6920001	1	SPEAKER			
7	LG6885001	1	BATTERY 3/V80H, FAX1960C			
8	LP1282001	1	TUBE/CABLE GUIDE			
9	UF5745000	1	MJ COVER EXT. MFC3360C FOR GER/UK/ITA			
10	LP1793011	1	SIDE COVER R			
11	LP1797010	1	HANDSET MOUNT, FAX1860C			
11	LP1798010	1	HANDSET HOLDER, FAX1960C			
11	LP1797003	1	HANDSET MOUNT, MFC3360C			
12	LG6919001	1	INK CARTRIDGE COVER SWITCH HARNESS			
13	LG6918001	1	UPPER JAM CLEAR COVER HARNESS ASSY			
14	LP1799010	1	INK CARTRIDGE COVER, FAX1860C/FAX1960C			
14	LP1799003	1	INK CARTRIDGE COVER, MFC3360C			
15	LP1801011	1	REAR COVER ASSY, FAX1860C/MFC3360C			
16	LP1950011	1	REAR COVER DECT ASSY, FAX1960C			
16-1	LG6936001	1	DECT CHARGE ASSY, FAX1960C		B53K893	
16-2	087310816	1	TAPTITE CUP B M3X8, FAX1960C			
17	LP1807011	1	UPPER JAM CLEAR COVER			
18	LP1808011	1	DOCUMENT SUPPORT			
19	LP1809001	1	DOCUMENT TRAY ASSY			
20	LG6933001	1	HOOK SWITCH PCB ASSY, FAX1860C/MFC3360C		B53K891	
21	LG7091001	1	THERMALLY CONDUCTIVE SHEET			
22	LP3329001	1	INK REPLACE LABEL COLOR			
23	LP3662001	1	PAPER JAM INSTRUCTION LABEL			
24	085411216	10	TAPTITE BIND B M4X12			
25	087311016	1	TAPTITE CUP B M3X10			
26	LP5988011	1	UPPER COVER			ADD

FAX1860C/FAX1960C/MFC3360C

8XAB01/8XAB07/8XAB13/8XAB43

7. PANEL



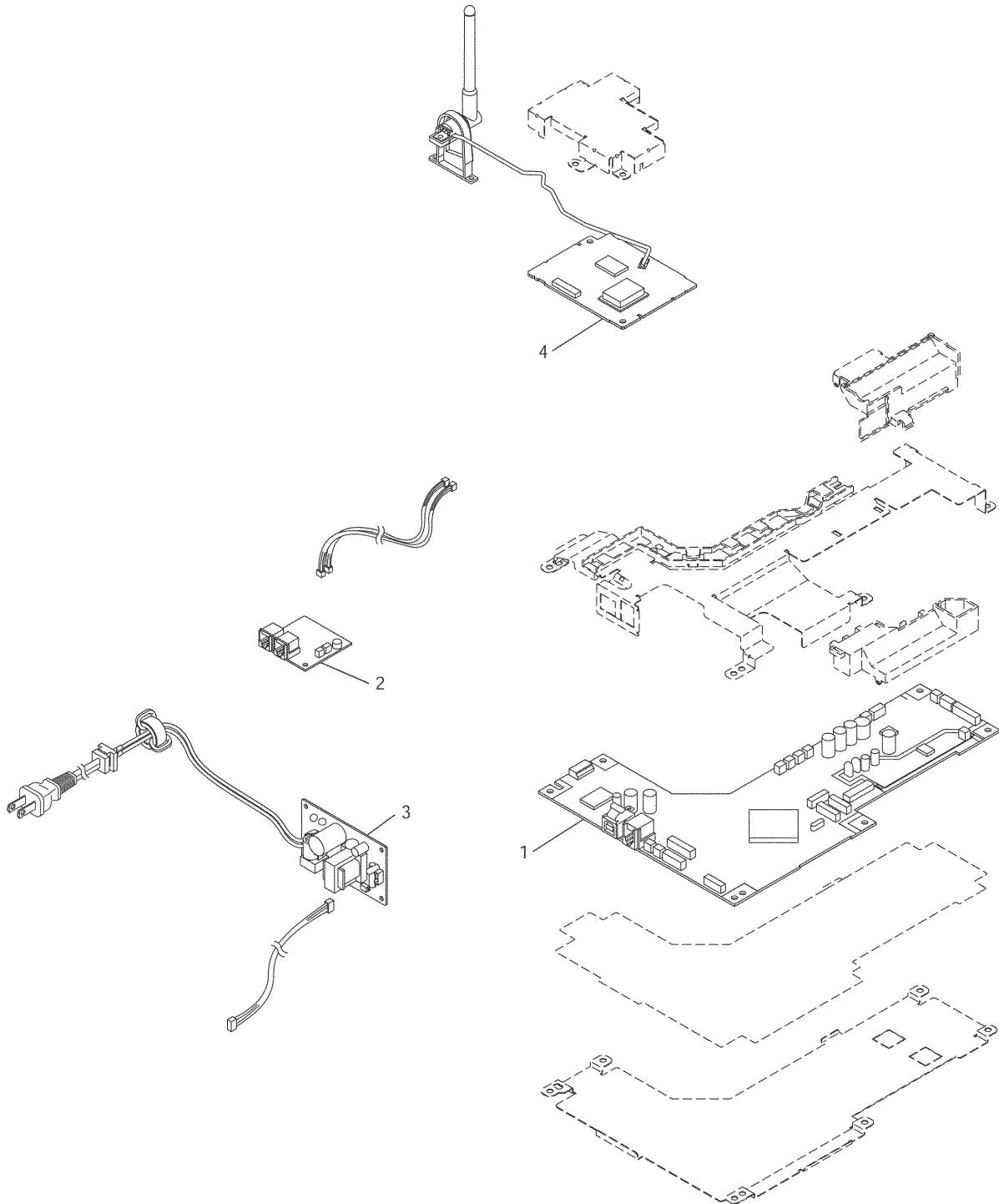
List7(PANEL US)

REF No.	CODE	Q'TY	DESCRIPTION	RECOMMEND	SYMBOL	REMARKS
1	LP3540001	1	CONTROL PANEL ASSY, FAX1860C	√		
1	LP1813001	1	CONTROL PANEL ASSY, FAX1960C	√		
1	LP3546001	1	CONTROL PANEL ASSY, MFC3360C FOR US/CAN	√		
1	LS2274001	1	CONTROL PANEL ASSY, MFC3360C FOR ARG/CHL	√		CHG
1-1	LP3541011	1	CONTROL PANEL, FAX1860C			
1-1	LP1814011	1	CONTROL PANEL, FAX1960C			
1-1	LP3547011	1	CONTROL PANEL, MFC3360C FOR US/CAN			
1-1	LS2275011	1	CONTROL PANEL, MFC3360C FOR ARG/CHL			CHG
1-2	LP1817005	1	RUBBER KEYPAD, FAX1860C/FAX1960C			
1-2	LP1819005	1	RUBBER KEYPAD, MFC3360C			
1-3	LP3542005	1	RUBBER KEYPAD ON/OFF, FAX1860C/MFC3360C FOR US/CAN			
1-3	LP1974005	1	PRINTED RUBBER KEY ON/OFF, MFC3360C FOR ARG/CHL			
1-4	LP1821005	1	PRINTED RUBBER KEY COLOR MC, FAX1960C			
1-5	UF9993001	1	MIC RUBBER, FAX1960C			
1-6	UF6916001	1	MIC COVER, FAX1960C			
1-7	LG6092001	1	LCD			
1-8	LG6924001	1	CONTROL PANEL PCB ASSY, FAX1860C		B53K874	
1-8	LG6924003	1	CONTROL PANEL PCB ASSY, FAX1960C		B53K874	
1-8	LG6924002	1	CONTROL PANEL PCB ASSY, MFC3360C		B53K874	
1-9	LP3544001	1	LCD SHEET, FAX1860C			
1-9	LP1825001	1	LCD SHEET, FAX1960C			
1-9	LP3548001	1	LCD SHEET, MFC3360C FOR US/CAN			
1-9	LP5452001	1	LCD SHEET, MFC3360C FOR ARG/CHL			
1-10	LP1827010	1	PANEL SUB COVER, FAX1860C/FAX1960C			
1-10	LP1827003	1	PANEL SUB COVER, MFC3360C			
1-11	LP3764001	1	SHIELDING FILM			
1-12	LP1828001	1	PANEL REAR COVER ASSY			
1-12-1	LP1831001	1	ADF SEPARATION RUBBER			
1-12-2	LP1833001	1	ADF RUBBER HOLDER			
1-12-3	LP3701001	1	ADF PLATE			
1-12-4	LP1834001	1	ADF COIL SPRING			
1-12-5	LP1835001	1	ADF PLATE SPRING			
2	LP3950001	1	ADDRESS LABEL			

List7(PANEL EU)

REF No.	CODE	Q'TY	DESCRIPTION	RECOMMEND	SYMBOL	REMARKS
1	LP5433001	1	CONTROL PANEL ASSY, MFC3360C FOR GER	√		
1	LP1972001	1	CONTROL PANEL ASSY, MFC3360C FOR UK	√		
1	LP5445001	1	CONTROL PANEL ASSY, MFC3360C FOR NLD	√		
1	LP5450001	1	CONTROL PANEL ASSY, MFC3360C FOR SPA	√		
1	LP5455001	1	CONTROL PANEL ASSY, MFC3360C FOR ITA	√		
1	LP5460001	1	CONTROL PANEL ASSY, MFC3360C FOR POR	√		
1	LP5469001	1	CONTROL PANEL ASSY, MFC3360C FOR CHN	√		
1	LP5478001	1	CONTROL PANEL ASSY, MFC3360C FOR ASA/OCE	√		
1-1	LP5434011	1	CONTROL PANEL, MFC3360C FOR GER			
1-1	LP1973011	1	CONTROL PANEL, MFC3360C FOR UK			
1-1	LP5446011	1	CONTROL PANEL, MFC3360C FOR NLD			
1-1	LP5451011	1	CONTROL PANEL, MFC3360C FOR SPA			
1-1	LP5456011	1	CONTROL PANEL, MFC3360C FOR ITA			
1-1	LP5461011	1	CONTROL PANEL, MFC3360C FOR POR			
1-1	LP5470011	1	CONTROL PANEL, MFC3360C FOR CHN			
1-1	LP5089011	1	CONTROL PANEL, MFC3360C FOR ASA/OCE			
1-2	LP1819005	1	PRINTED RUBBER KEY, MFC3360C			
1-3	LP1974005	1	PRINTED RUBBER KEY ON/OFF, MFC3360C			
1-4	----	1	NOT USED			
1-5	----	1	NOT USED			
1-6	----	1	NOT USED			
1-7	LG6092001	1	LCD EXCEPT FOR CHN			
1-7	LG6440001	1	LCD FOR CHN			
1-8	LG6924002	1	CONTROL PANEL PCB ASSY, MFC3360C EXCEPT FOR CHN		B53K874	
1-8	LG7354012	1	CONTROL PANEL PCB ASSY, MFC3360C FOR CHN		B53K874	CHG
1-9	LP5435001	1	LCD SHEET, MFC3360C FOR GER			
1-9	LP1976001	1	LCD SHEET, MFC3360C FOR UK/ASA/OCE			
1-9	LP5447001	1	LCD SHEET, MFC3360C FOR NLD			
1-9	LP5452001	1	LCD SHEET, MFC3360C FOR SPA			
1-9	LP5457001	1	LCD SHEET, MFC3360C FOR ITA			
1-9	LP5462001	1	LCD SHEET, MFC3360C FOR POR			
1-9	LP5471001	1	LCD SHEET, MFC3360C FOR CHN			
1-10	LP1827003	1	PANEL SUB COVER, MFC3360C			
1-11	LP3764001	1	SHIELDING FILM			
1-12	LP1828001	1	PANEL REAR COVER ASSY			
1-12-1	LP1831001	1	ADF SEPARATION RUBBER			
1-12-2	LP1833001	1	ADF RUBBER HOLDER			
1-12-3	LP3701001	1	ADF PLATE			
1-12-4	LP1834001	1	ADF COIL SPRING			
1-12-5	LP1835001	1	ADF PLATE SPRING			
2	LP3950001	1	ADDRESS LABEL			

8. PCB

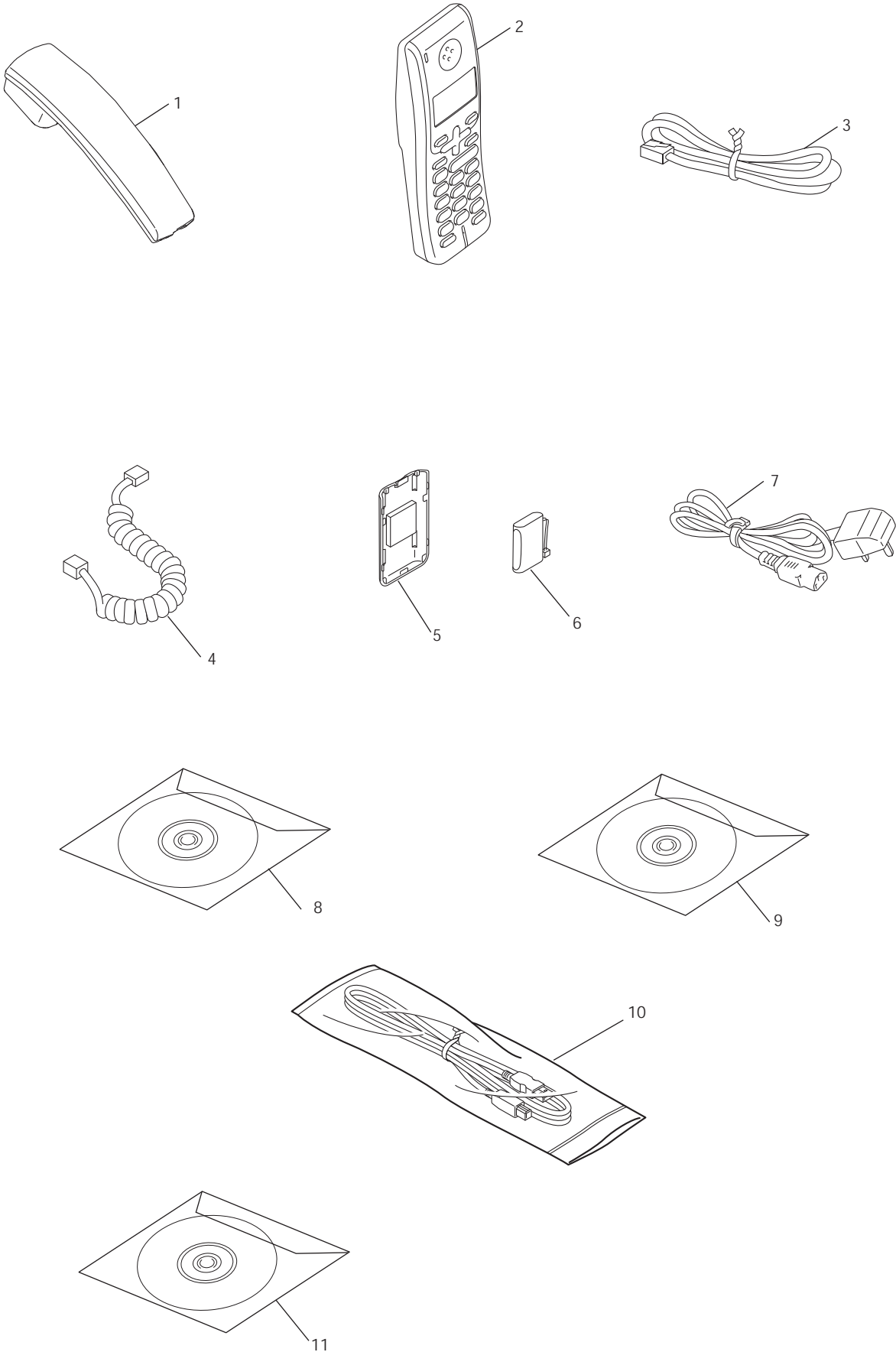


List8(PCB)

REF No.	CODE	Q'TY	DESCRIPTION	RECOMMEND	SYMBOL	REMARKS
1	LG7041047	1	MAIN PCB ASSY, FAX1860C/MFC3360C FOR US/CAN	√	B53K904	chg
1	LG7040051	1	MAIN PCB ASSY, FAX1960C FOR US	√	B53K904	
1	LG7041046	1	MAIN PCB ASSY, FAX1860C FOR US (*)	√	B53K904	
1	LG7040052	1	MAIN PCB ASSY, FAX1960C FOR US (*)	√	B53K904	
1	LG7041042	1	MAIN PCB ASSY, MFC3360C FOR US (*)	√	B53K904	
1	LG7041043	1	MAIN PCB ASSY, MFC3360C FOR GER/UK/NLD/SPA/ITA/POR/ARG/CHL/ASA/OCE	√	B53K904	
1	LG7041040	1	MAIN PCB ASSY, MFC3360C FOR CHN	√	B53K904	chg
2	LG6844001	1	MJ PCB ASSY, FAX1960C FOR US, MFC3360C FOR ARG/CHL/ASA/OCE		B53K887	
2	LT0036001	1	MJ PCB ASSY, FAX1860C/MFC3360C FOR US/CAN/CHN		B53K948	ADD
2	LG6844004	1	MJ PCB ASSY, MFC3360C FOR GER/UK/NLD/SPA/ITA/POR		B53K887	
3	LG7063001	1	POWER SUPPLY UNIT (INCLUDING AC CORD), FAX1860C/FAX1960C/MFC3360C FOR US/CAN	√		
3	LG6991001	1	POWER SUPPLY UNIT (EXCLUDING AC CORD), MFC3360C FOR GER/UK/NLD/SPA/ITA/POR/OCE	√		
3	LG7268001	1	POWER SUPPLY UNIT (EXCLUDING AC CORD), MFC3360C FOR CHN	√		
3	LG7267001	1	POWER SUPPLY UNIT (EXCLUDING AC CORD), MFC3360C FOR ARG/CHL/ASA	√		
4	LG6990001	1	CORDLESS PCB ASSY(INCLUDING ANTENNA), FAX1960C	√		

*: First 3-months production only

9. ACCESSORIES



List9(Accessories_US)

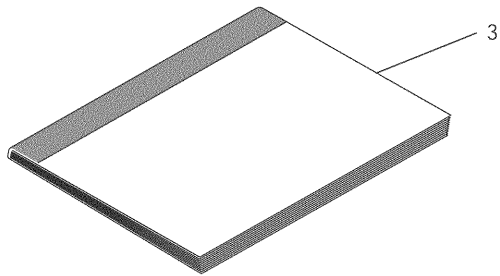
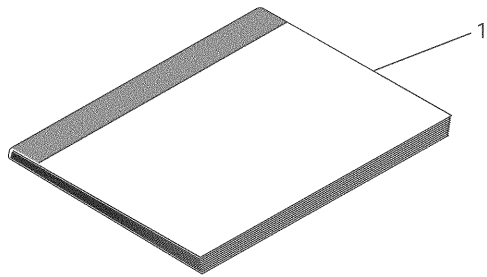
REF No.	CODE	QTY	DESCRIPTION	RECOMMEND	REMARKS
1	LF3800010	1	HANDSET ASSY, FAX1860C		
1	LS5678004	1	HANDSET ASSY, MFC3360C		chg
2	LS5688001	1	CORDLESS TELEPHONE ASSY, FAX1960C		chg
3	LG3077001	1	TELEPHONE LINE CORD CSA, FAX1860C/FAX1960C/MFC3360C FOR US/CAN/ARG/CHL		
4	LG3768004	1	HANDSET CURLED CORD ASSY, FAX1860C/MFC3360C		
5	LS4559001	1	BATTERY COVER ASSY, FAX1960C		chg
6	LT0198001	1	BATTERY BAG ASSY, FAX1960C		chg
7	LT0921001	1	AC CORD BAG ASSY LF ARG, MFC3360C FOR ARG		chg
7	LG6426001	1	AC CORD BAG ASSY LF CHILE, MFC3360C FOR CHL		
8	LP3101001	1	CD-ROM ASSY, MFC3360C FOR US/CAN		
8	LP3173001	1	CD-ROM ASSY, MFC3360C FOR ARG/CHL		
9	LS2489001	1	CD-ROM ASSY VISTA, MFC3360C FOR US/CAN		chg
9	LS2482001	1	CD-ROM ASSY VISTA, MFC3360C FOR ARG/CHL		add
10	---		NOT USED		
11	LX3160001	1	CD-ROM ASSY, MFC3360C FOR ARG/CHL (Windows7)		ADD

FAX1860C/FAX1960C/MFC3360C

8XAB01/8XAB07/8XAB13/8XAB43

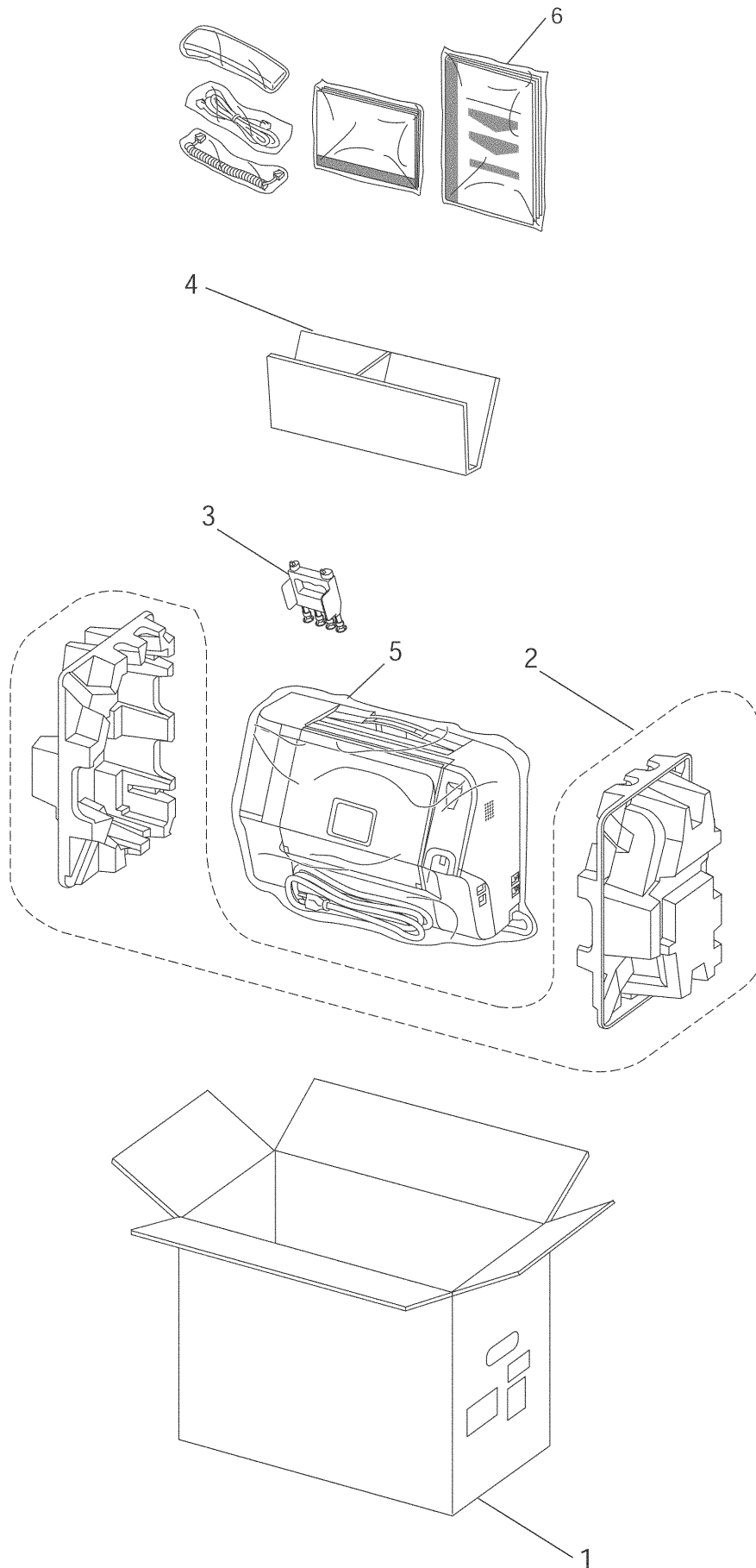
List9(Accessories_EU)

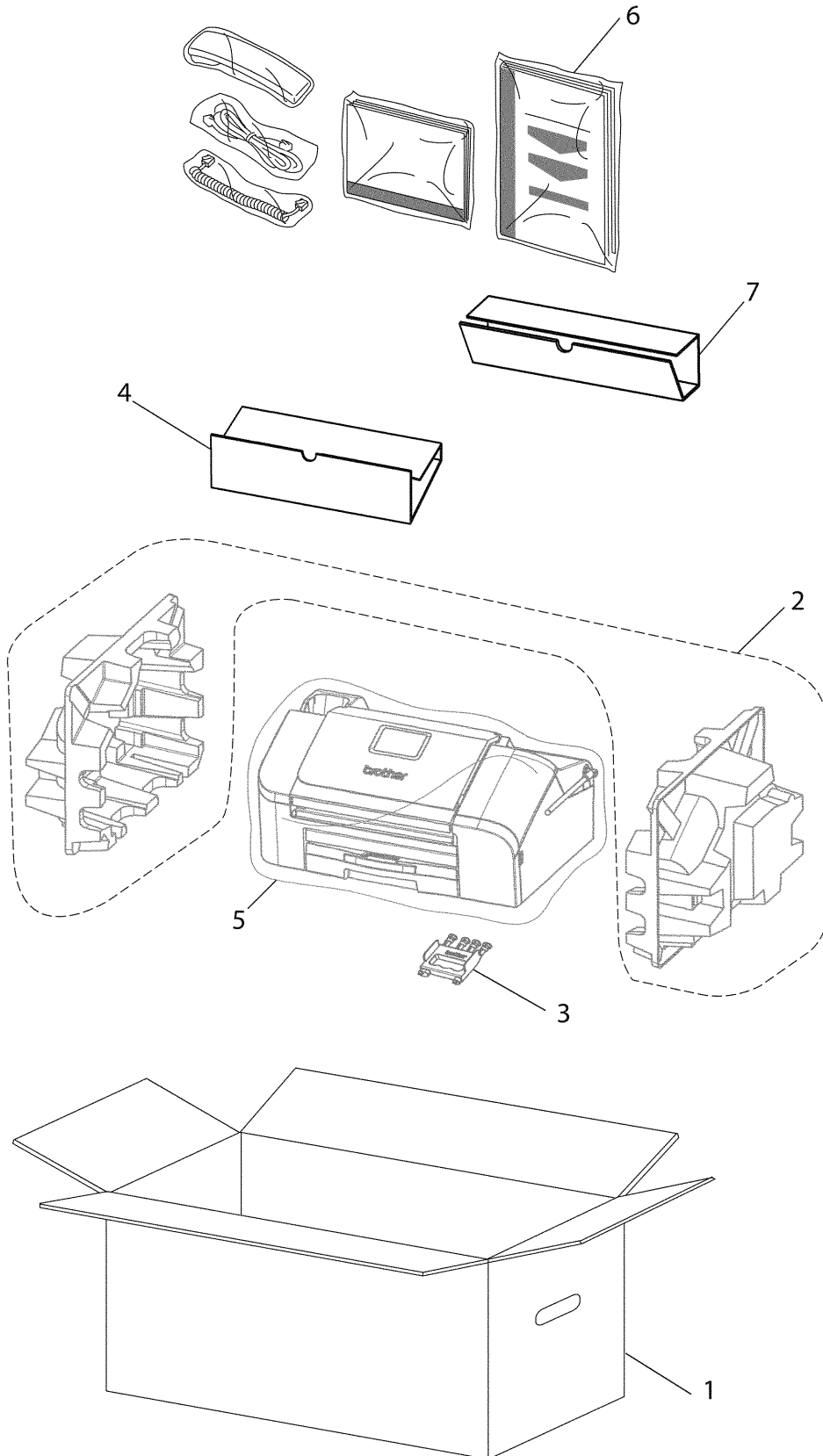
REF No.	CODE	QTY	DESCRIPTION	RECOMMEND	REMARKS
1	LF3800004	1	HANDSET ASSY, MFC3360C		
2	----		NOT USED		
3	UG3625001	1	TELEPHONE LINE CORD, MFC3360C FOR GER		
3	UG3626001	1	TELEPHONE LINE CORD 6P, MFC3360C FOR UK		
3	LG3077001	1	TELEPHONE LINE CORD CSA, MFC3360C FOR UK/NLD/SPA/POR/CHN/ASA/OCE		
3	UG3634001	1	TELEPHONE LINE CORD, MFC3360C FOR ITA		
3	UG3290001	1	TELEPHONE LINE CORD, MFC3360C FOR OCE		
4	LG3768004	1	HANDSET CURLED CORD ASSY, MFC3360C		
5	----		NOT USED		
6	----		NOT USED		
7	LG5717001	1	AC CORD BAG ASSY LF VDE, MFC3360C FOR GER/NLD/SPA/ITA/POR/ASA		
7	LG5692001	1	AC CORD BAG ASSY LF UK, MFC3360C FOR UK/ASA		
7	LG5735001	1	AC CORD BAG ASSY LF CHN, MFC3360C FOR CHN		
7	LG5734001	1	AC CORD BAG ASSY LF SAA, MFC3360C FOR OCE		
8	LP3172001	1	CD-ROM ASSY, MFC3360C FOR GER/UK/ASA/OCE		
8	LP3174001	1	CD-ROM ASSY, MFC3360C FOR NLD		
8	LP3173001	1	CD-ROM ASSY, MFC3360C FOR SPA/ITA/POR		
8	LP3187001	1	CD-ROM ASSY, MFC3360C FOR CHN		
9	LS2481001	1	CD-ROM ASSY VISTA, MFC3360C FOR GER/UK/ASA/OCE		chg
9	LS2486001	1	CD-ROM ASSY VISTA, MFC3360C FOR CHN		chg
9	LS2483001	1	CD-ROM ASSY VISTA, MFC3360C FOR NLD		add
9	LS2482001	1	CD-ROM ASSY VISTA, MFC3360C FOR SPA/ITA/POR		add
10	LP0001001	1	USB CABLE 2.0, MFC3360C FOR CHN		add
11	LX3159001	1	CD-ROM ASSY, MFC3360C FOR GER/UK/ASA/OCE (Windows7)		ADD
11	LX3160001	1	CD-ROM ASSY, MFC3360C FOR SPA/ITA/POR (Windows7)		ADD
11	LX3161001	1	CD-ROM ASSY, MFC3360C FOR NLD (Windows7)		ADD
11	LX3162001	1	CD-ROM ASSY, MFC3360C FOR CHN (Windows7)		ADD



List10(PRINTED MATERIALS)

REF No.	CODE	Q'TY	DESCRIPTION	RECOMMEND	REMARKS
1	LP5674001	1	USER'S GUIDE, FAX1860C/FAX1960C/MFC3360C <ENGLISH>	√	chg
4	LP5675004	4	USER'S GUIDE, FAX1960C <ENGLISH>	√	del
1	LP3293002	1	USER'S GUIDE, MFC3360C FOR CAN <FRENCH>	√	
1	LP5668003	1	USER'S GUIDE, MFC3360C FOR GER	√	chg
1	LP5668004	1	USER'S GUIDE, MFC3360C FOR UK	√	chg
1	LP5668009	1	USER'S GUIDE, MFC3360C FOR NLD	√	chg
1	LP5668015	1	USER'S GUIDE, MFC3360C FOR SPA/ARG/CHL	√	chg
1	LP5668016	1	USER'S GUIDE, MFC3360C FOR ITA	√	chg
1	LP5668018	1	USER'S GUIDE, MFC3360C FOR POR	√	chg
1	LP5437020	1	USER'S GUIDE, MFC3360C FOR CHN	√	
1	LP5437040	1	USER'S GUIDE, MFC3360C FOR ASA/OCE	√	
(2)	LP3966001	1	FRENCH SEAL, MFC3360C FOR CAN		
3	LS2932001	1	USER'S GUIDE D-CL, FAX1960C		CHG





List11(PACKAGING_US)

REF No.	CODE	Q'TY	DESCRIPTION	RECOMMEND	REMARKS
1	LP3951001	1	CARTON BROTHER, FAX1860C	√	
1	LP5570001	1	CARTON BROTHER, FAX1960C	√	
1	LP3960001	1	CARTON BROTHER, MFC3360C FOR US	√	
1	LP3970001	1	CARTON BROTHER, MFC3360C FOR CAN	√	
1	LX0799001	1	CARTON BROTHER, MFC3360C FOR ARG/CHL	√	
2	LP1968004	4	PULP CUSHION ASSY, FAX1860C/MFC3360C FOR US/CAN		CHG
2	LP5968001	1	PULP CUSHION ASSY, FAX1860C/MFC3360C		chg
2	LP5971001	1	PULP CUSHION ASSY, FAX1960C		chg
2	LP5879004	4	PULP CUSHION ASSY, MFC3360C FOR ARG/CHL		del
3	LP3002001	1	PROTECT CARTRIDGE ASSY		
4	LP3577001	1	PARTS PAD, FAX1860C/FAX1960C/MFC3360C FOR US/CAN		
4	LS2043001	1	PARTS PAD, MFC3360C FOR ARG/CHL		chg
5	LP3576001	1	PE BAG 620X800		
6	LP3954001	1	QUICK SETUP GUIDE, FAX1860C <ENGLISH>		
6	LP5573001	1	QUICK SETUP GUIDE, FAX1960C <ENGLISH>		
6	LP3964001	1	QUICK SETUP GUIDE, MFC3360C <ENGLISH>		
6	LP3964002	1	QUICK SETUP GUIDE, MFC3360C FOR CAN <FRENCH>		
6	LP5442015	1	QUICK SETUP GUIDE, MFC3360C FOR ARG/CHL		

FAX1860C/FAX1960C/MFC3360C

8XAB01/8XAB07/8XAB13/8XAB43

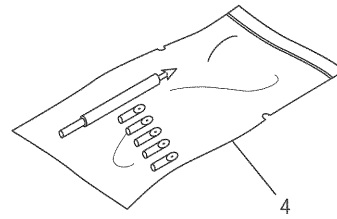
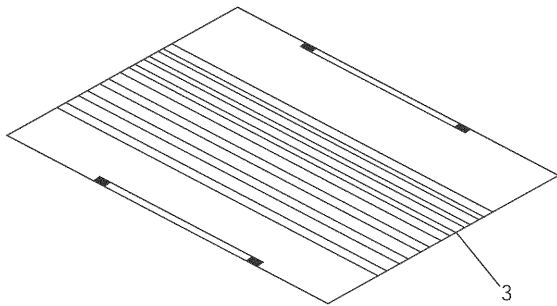
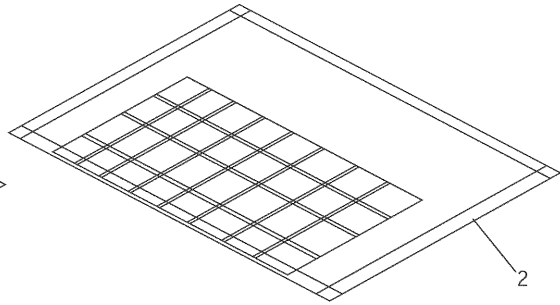
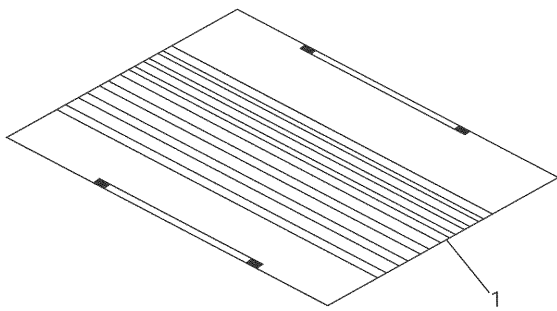
List11(PACKAGING_EU)

REF No	CODE	Q'TY	DESCRIPTION	RECOMMEND	REMARKS
1	LP5438001	1	CARTON BROTHER, MFC3360C FOR GER/UK/NLD/SPA/ITA/POR	√	
1	LP5473001	1	CARTON BROTHER, MFC3360C FOR CHN	√	
1	LP5480001	1	CARTON BROTHER, MFC3360C FOR ASA/OCE	√	
2	LP5968001	1	PULP CUSHION ASSY, MFC3360C		CHG
3	LP3002001	1	PROTECT CARTRIDGE ASSY		
4	LS2043001	1	PARTS PAD, MFC3360C		CHG
5	LP3576001	1	PE BAG 620X800		
6	LP5442003	1	QUICK SETUP GUIDE, MFC3360C FOR GER		
6	LP5442004	1	QUICK SETUP GUIDE, MFC3360C FOR UK		
6	LP5442009	1	QUICK SETUP GUIDE, MFC3360C FOR NLD		
6	LP5442015	1	QUICK SETUP GUIDE, MFC3360C FOR SPA		
6	LP5442016	1	QUICK SETUP GUIDE, MFC3360C FOR ITA		
6	LP5442018	1	QUICK SETUP GUIDE, MFC3360C FOR POR		
6	LP5442020	1	QUICK SETUP GUIDE, MFC3360C FOR CHN		
6	LP5442040	1	QUICK SETUP GUIDE, MFC3360C FOR ASA/OCE		
7	LS2044001	1	PARTS PAD 2, MFC3360C FOR ASA		CHG

FAX1860C/FAX1960C/MFC3360C

8XAB01/8XAB07/8XAB13/8XAB43

12. OTHERS



List12(OTHERS)

REF No.	CODE	Q'TY	DESCRIPTION	RECOMMEND	REMARKS
1	UF8263001	1	TEST CHART-027		
2	UF9258001	1	COLOR TEST CHART CTC-001		
3	UF4600001	1	CONTRAST CHART TC-023		
4	ZA0310001	1	HEAD CLEANER STICK ASSY	√	

brother®

PL-FAX134
8XAB01
Ver. V-1