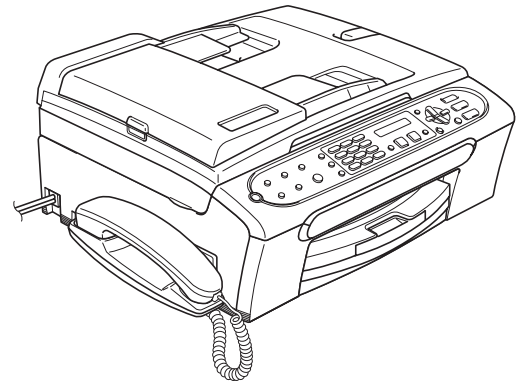


FAX-2480C  
FAX-2580C



---






Before you can use the machine, you must set up the hardware.  
Please read this Quick Setup Guide for the correct setup procedure.

Setting Up the Machine

**Setup is Complete!**

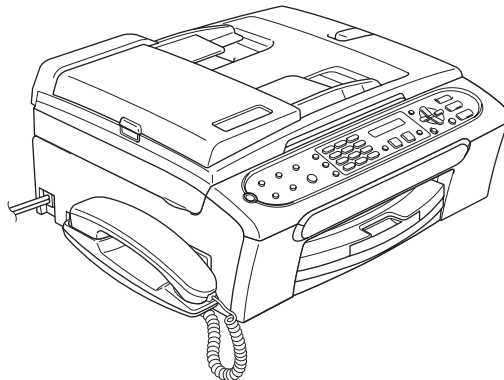
Keep this Quick Setup Guide and the User's Guide in a convenient place for quick and easy reference at all times.

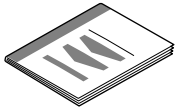
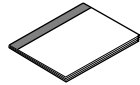
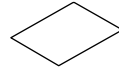
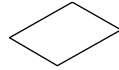





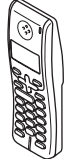

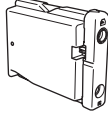
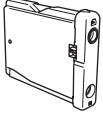
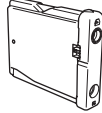
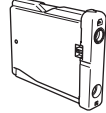
## Symbols used in this guide

 Warning	 Caution	 Improper Setup
Warnings tell you what to do to prevent possible personal injury.	Cautions specify procedures you must follow or avoid to prevent possible damage to the machine or other objects.	Improper Setup icons alert you to devices and operations that are not compatible with the machine.
 Note	 User's Guide	
Notes tell you how you should respond to a situation that may arise or give tips about how the current operation works with other features.	Indicates reference to the User's Guide we have supplied.	

## Carton components

Carton components may vary from one country to another.  
Save all packing materials and the carton in case for any reason you must ship your machine.

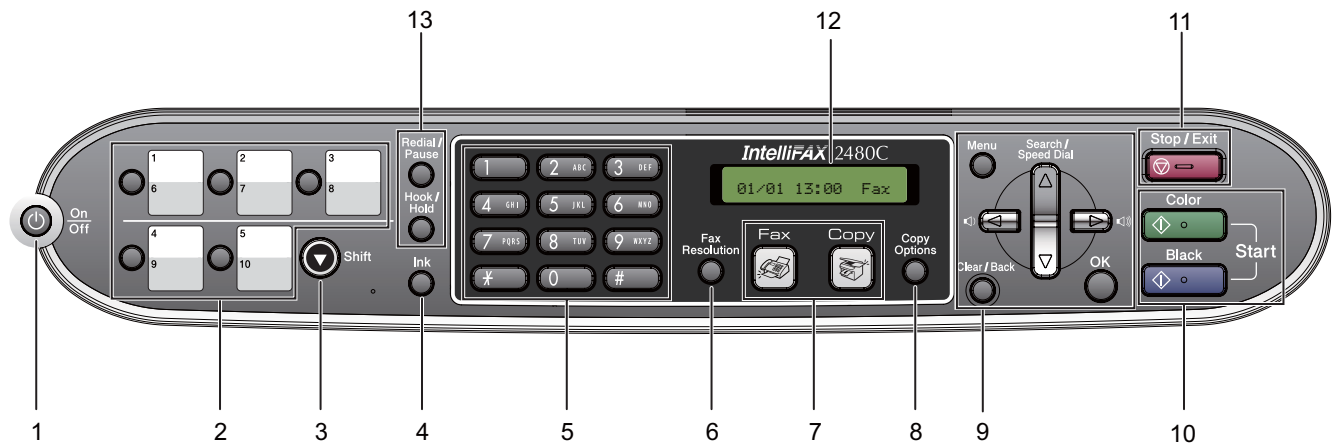


 <p><b>Quick Setup Guide</b></p>	 <p><b>User's Guide</b></p>	 <p><b>Test Sheet (USA only)</b></p>	 <p><b>Accessory Order Form</b></p>
 <p><b>Telephone Line Cord</b></p>	 <p><b>Side Cover</b></p>	 <p><b>Telephone Handset (FAX-2480C only)</b></p>	 <p><b>One Touch Labels (FAX-2480C only)</b></p>
 <p><b>One Touch Labels (FAX-2580C only)</b></p>	 <p><b>Cordless Handset (FAX-2580C only)</b></p>	 <p><b>Battery and Battery Cover (FAX-2580C only)</b></p>	
 <p><b>Black (LC51BK)</b></p>	 <p><b>Yellow (LC51Y)</b></p>	 <p><b>Cyan (LC51C)</b></p>	 <p><b>Magenta (LC51M)</b></p>
<p><b>Ink Cartridges</b></p>			

# Getting Started

## Control panel

<For FAX-2480C>



- |                      |                                 |
|----------------------|---------------------------------|
| 1 On/Off key         | 8 Copy Options key              |
| 2 One Touch keys     | 9 Menu keys                     |
| 3 Shift              | 10 Start keys                   |
| 4 Ink key            | 11 Stop/Exit key                |
| 5 Dial Pad           | 12 LCD (Liquid Crystal Display) |
| 6 Fax Resolution key | 13 Fax and telephone keys       |
| 7 Mode keys          |                                 |

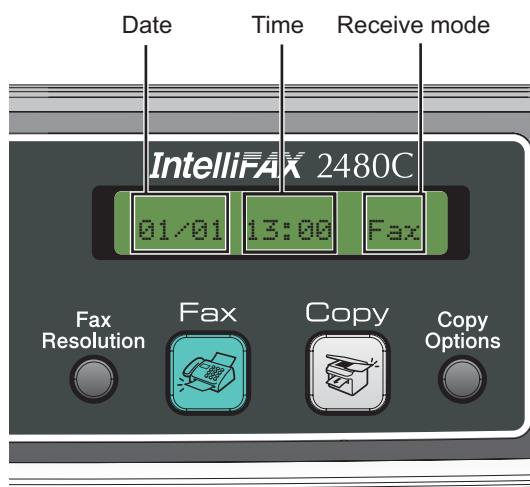
<For FAX-2580C>



- |                          |                                 |
|--------------------------|---------------------------------|
| 1 On/Off key             | 8 Copy Options key              |
| 2 Message Center keys    | 9 Menu keys                     |
| 3 Microphone             | 10 Start keys                   |
| 4 Fax and telephone keys | 11 Stop/Exit key                |
| 5 Dial Pad               | 12 LCD (Liquid Crystal Display) |
| 6 Fax Resolution key     | 13 Shift                        |
| 7 Mode keys              | 14 One Touch keys               |


 **Note**

---



*When the machine is idle (not being used) it will return to the default display shown above. The default display shows the date, time, and the current receive mode.*

---

 *For the details of the control panel, see Control panel overview in Chapter 1 of the User's Guide. Illustrations in this Quick Setup Guide are based on FAX-2480C.*

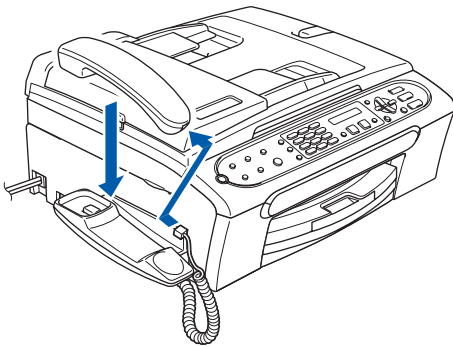
# Setting Up the Machine

## 1 Removing the protective parts

- 1 Remove the protective tape and film covering the scanner glass.
- 2 Remove the foam bag containing the ink cartridges from on top of the paper tray.

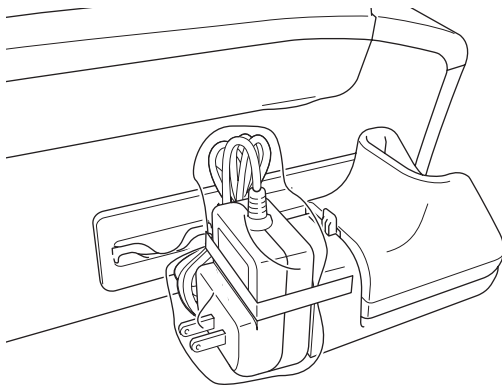
## 2 Connecting the handset (FAX-2480C only)

- 1 Connect the curled handset cord to the handset. Go to *Loading paper* on page 6.

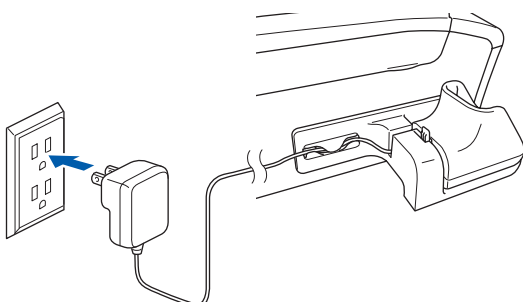


## 3 Connecting the cradle power cord (FAX-2580C only)

- 1 Remove tape and plastic bag from the AC adapter.

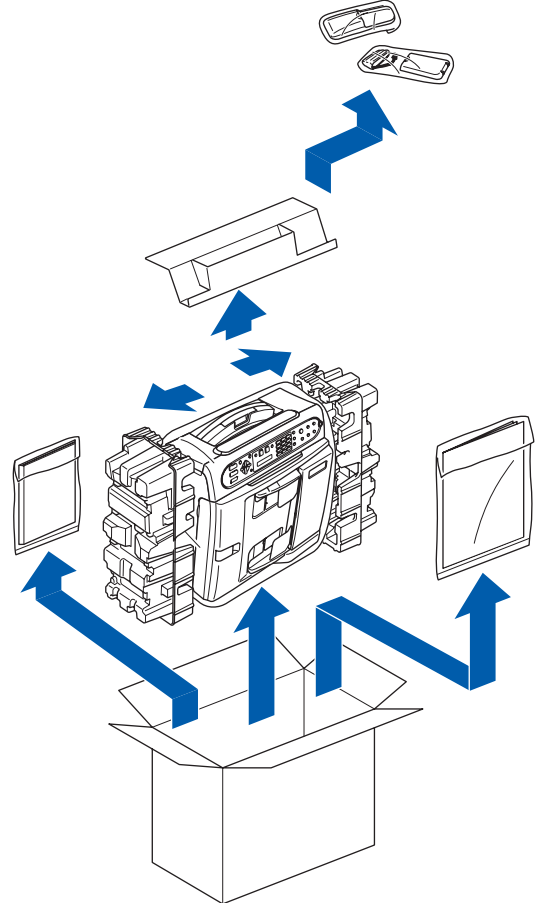


- 2 Route the AC power cord through the guide on the side of the machine. Then, plug the adapter into an AC power outlet.

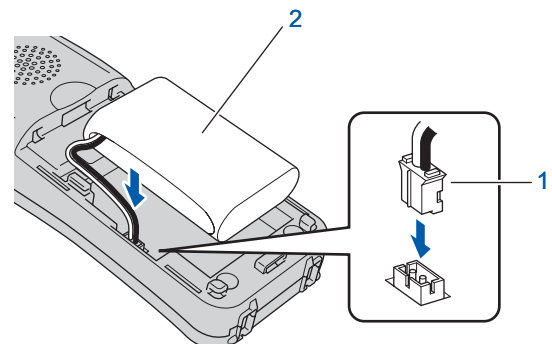


## 4 Installing the battery (FAX-2580C only)

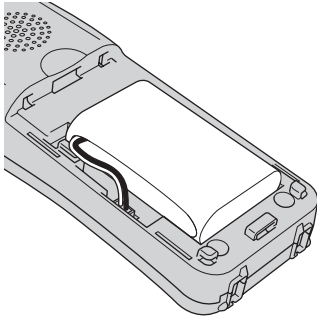
- 1 Make sure you remove the battery, battery cover and cordless handset from the carton.



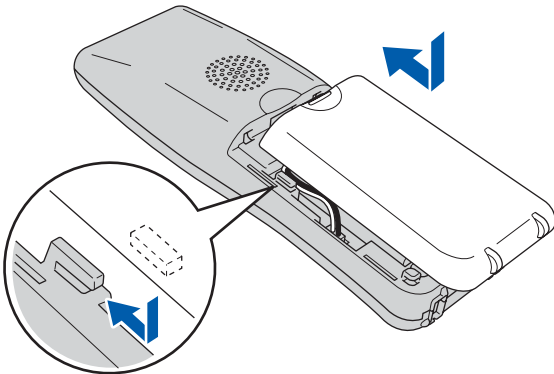
- 2 Unpack a battery, battery cover and cordless handset.
- 3 Insert the connector (1) of the battery (2) in the direction shown below.



- 4** Place the battery in the position shown.



- 5** Install the battery cover by sliding it onto the back of the handset.

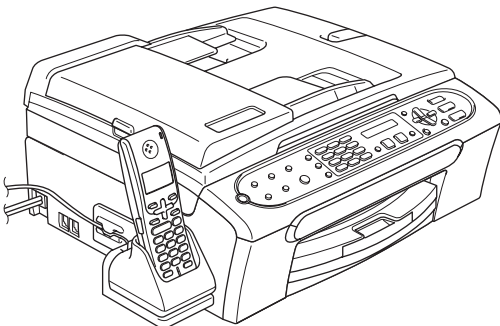


**Note** Be careful that you do not catch the battery connector cord.

- 6** After installation, charge the battery more than 12 hours before using the cordless handset.

## 5 Charging the battery (FAX-2580C only)

- 1** Place the cordless handset on the cradle with the dial pad facing forward.

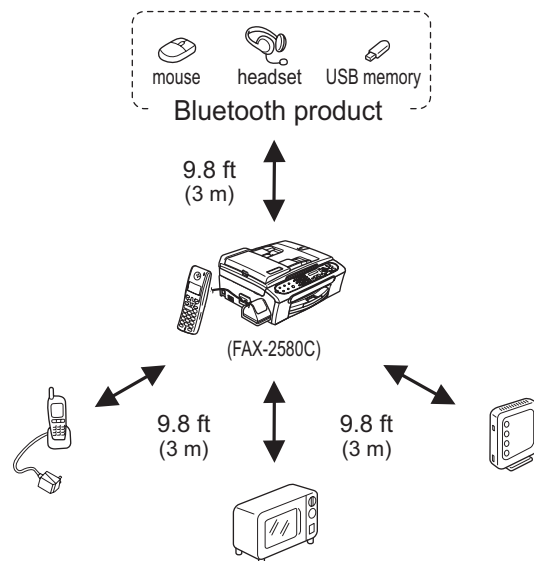


### Note

- After replacement, you should set the date and time. (See *Date and Time* in the *Digital Cordless Handset User's Guide*.)
- The LCD of the handset will display "Searching for Base Unit" or "Base Unit not detected" until the initial setup of the machine is complete.
- If your battery is getting low, you should charge the battery. You can see the battery strength at the bottom right of the LCD.

## 6 Choosing a location (FAX-2580C only)

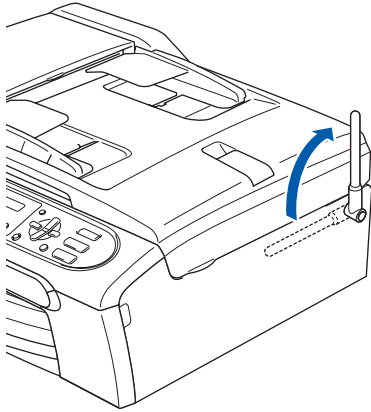
- Choose a location where the temperature remains between 50° F and 95° F (10° and 35° C).
- DO NOT put the cordless handset near heaters, air conditioners, water or chemicals.
- DO NOT expose the cordless handset to direct sunlight, excessive heat, moisture, or dust.
- DO NOT use the cordless handset near electro-medical equipment.
- We recommend at least 9.8 ft (3 m) between the machine (base unit) or cordless handset and other electronic devices.



# Setting Up the Machine


## 7 Position the antenna on the base unit (FAX-2580C only)

- 1 Move the antenna to the up position as shown below.




### Note

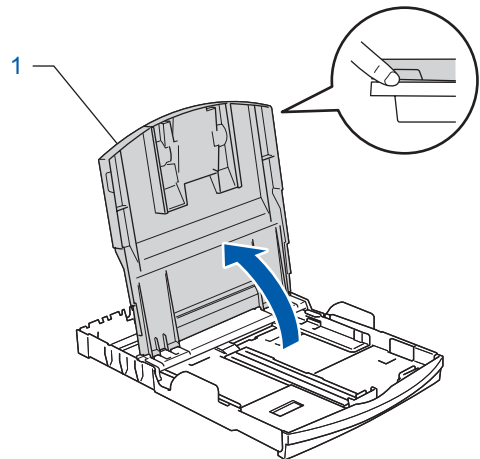
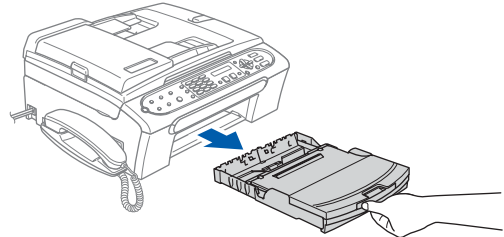
Avoid using in an area where it is difficult for radio waves to penetrate such as in a reinforced concrete building, near metal furniture or doors.

-  If you have purchased an optional cordless handset, see *Optional Cordless Handset in the Digital Cordless Handset User's Guide*.

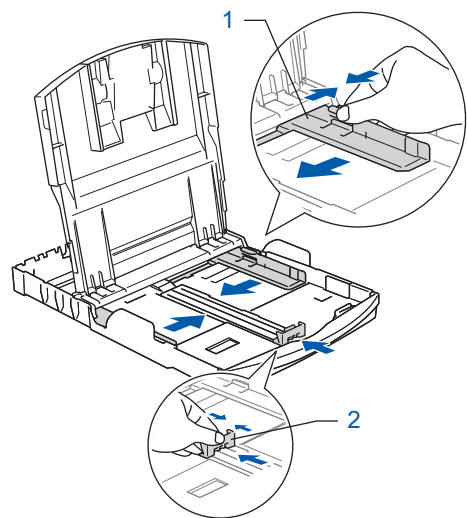
## 8 Loading paper

-  You can load up to 100 sheets of 20 lb (80 g/m<sup>2</sup>) paper. For details, see *Acceptable paper and other media in Chapter 2 of the User's Guide*.

- 1 Pull the paper tray completely out of the machine and lift the output paper tray cover (1).



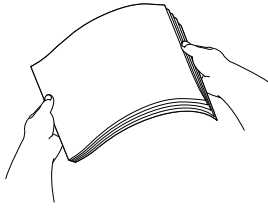
- 2 Press and slide the paper side guides (1) and paper length guide (2) to fit the paper size.



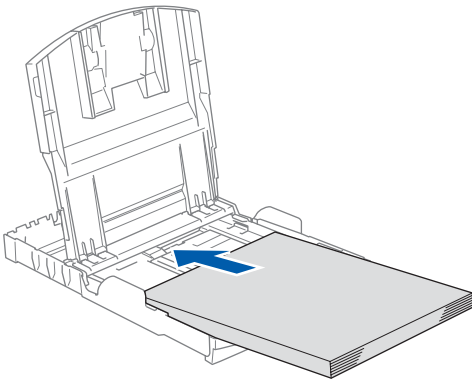


# Setting Up the Machine

- 3** Fan the stack of paper well to avoid paper jams and misfeeds.

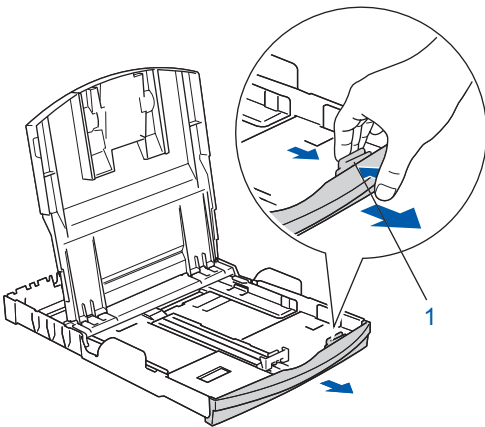


- 4** Gently put the paper into the paper tray print side down and top edge first. Check that the paper is flat in the tray.

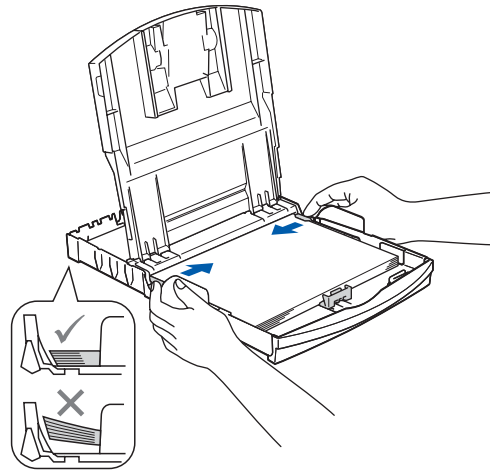


## Note

When you use *Legal* size paper, press and hold the universal guide release button (1) as you slide out the front of the paper tray.



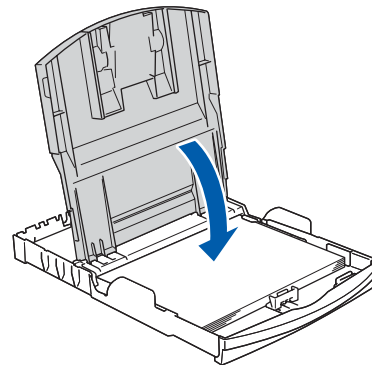
- 5** Gently adjust the paper side guides with both hands to fit the paper. Make sure that the paper side guides and paper length guide touch the edges of the paper.



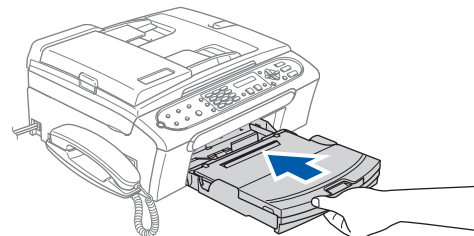
## Note

Be careful that you do not push the paper in too far; it may lift at the back of the tray and cause paper feed problems.

- 6** Close the output paper tray cover.

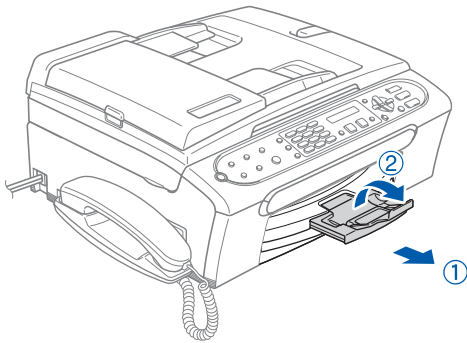


- 7** Slowly push the paper tray completely into the machine.



# Setting Up the Machine

- 8** While holding the paper tray in place, pull out the paper support (①) until it clicks, and then unfold the paper support flap (②).



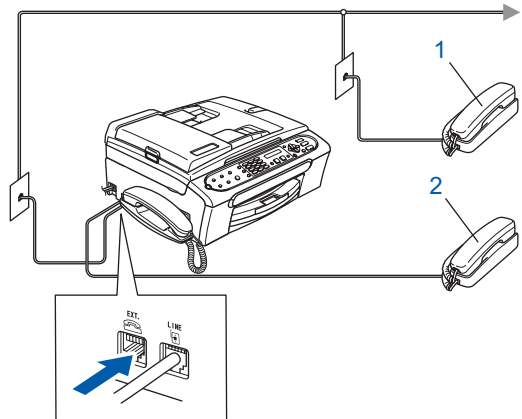
## Note

Do not use the paper support flap for Legal size paper.



## Note

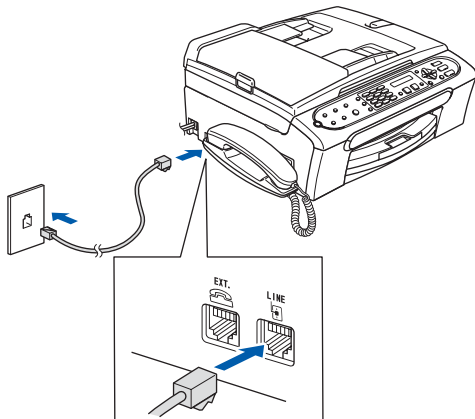
If you are sharing one phone line with an external telephone, connect it as shown below.



- 1 Extension telephone
- 2 External telephone

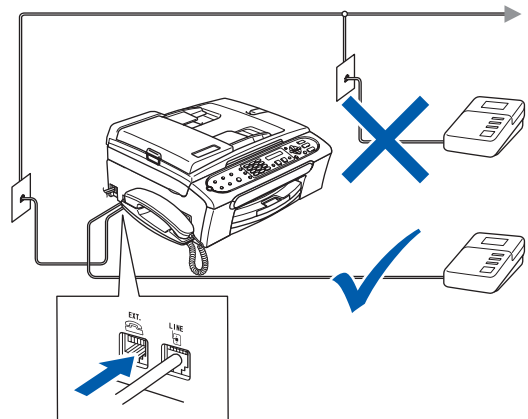
## 9 Connecting the phone line

- 1** Connect the telephone line cord. Connect one end of the telephone line cord to the jack on the machine marked **LINE** and the other end to a modular wall jack.



## Note

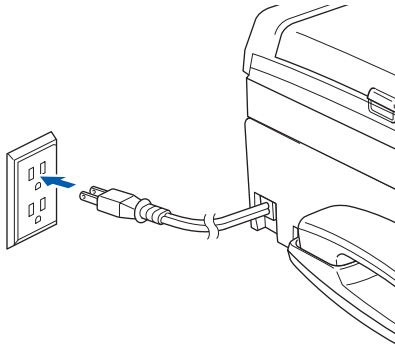
If you are sharing one phone line with an external telephone answering machine, connect it as shown below.



Set the receive mode to 'External TAD' for FAX-2480C, or 'Manual' for FAX-2580C if you have an external answering machine. For details, see *Connecting an external TAD (telephone answering device)* in Chapter 7 of the User's Guide.

## 10 Connecting the power cord

- 1 Connect the power cord.



## 11 Installing the ink cartridges

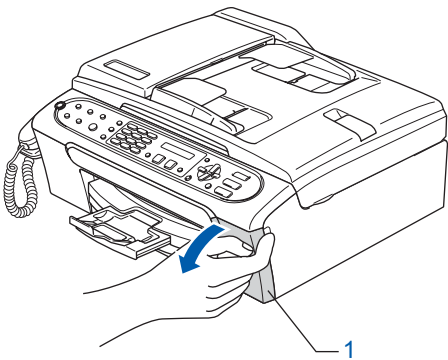
### Warning

If ink gets in your eyes, wash them out with water at once, and if irritation occurs consult a doctor.

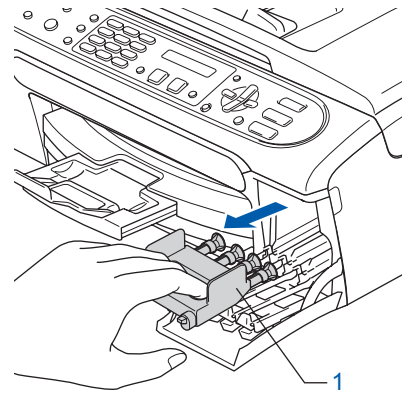
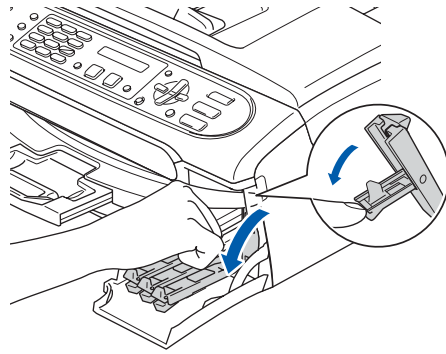
- 1 Make sure that the power is turned on. The LCD shows:

No Cartridge

- 2 Open the ink cartridge cover (1).



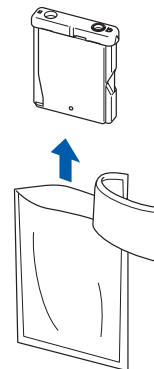
- 3 Pull all the lock release levers down and remove the yellow protective part (1).



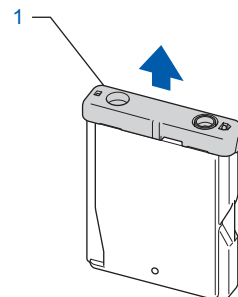
### Note

Do not throw away the yellow protective part. You will need it if you transport the machine.

- 4 Take out the ink cartridge.



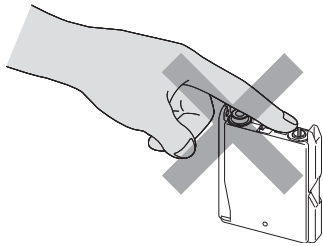
- 5 Carefully remove the protective yellow cap (1).



# Setting Up the Machine

## ⊘ Improper Setup

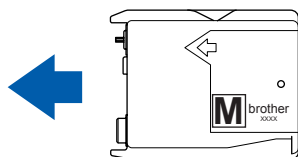
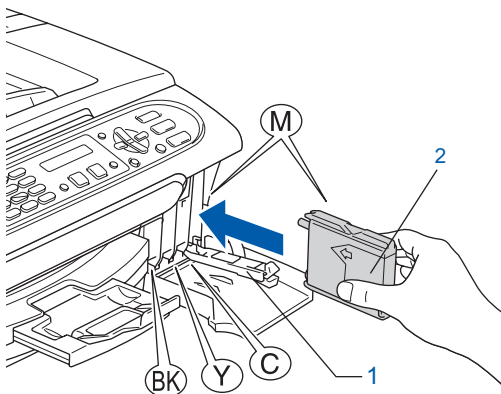
DO NOT touch the area shown in the illustration below.



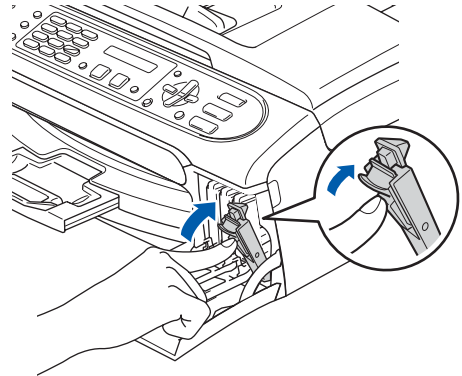
## 📝 Note

If the protective yellow cap comes off when you open the bag, the cartridge will not be damaged.

- 6** Install each ink cartridge in the direction of the arrow on the label. Take care to match the color of the lock release lever (1) with the cartridge color (2), as shown in the diagram below.



- 7** Lift each lock release lever and gently push until it clicks, and then close the ink cartridge cover.



## 📝 Note

If the LCD shows *Install Black, Install Yellow, Install Cyan or Install Magenta* after you install the ink cartridges, check that the ink cartridges are installed properly.

The machine will clean the ink tube system for use for the first time. This process will occur only once, the first time ink cartridges are installed. The cleaning process will last approximately four minutes.

The LCD shows:

Preparing System



Approx 4 Minutes

Cleaning



Please Wait

## ! Caution

- DO NOT take out ink cartridges if you do not need to replace them. If you do so, it may reduce the ink quantity and the machine will not know the quantity of ink left in the cartridge.
- DO NOT shake the ink cartridges. If ink stains your skin or clothing, wash with soap or detergent at once.
- DO NOT repeatedly insert and remove the cartridges. If you do so, ink may seep out of the cartridge.
- If you mix the colors by installing an ink cartridge in the wrong position, clean the print head several times after correcting the cartridge installation. (See *Cleaning the print head in Appendix B of the User's Guide.*)
- Once you open an ink cartridge, install it in the machine and use it up within six months of installation. Use unopened ink cartridges by the expiration date written on the cartridge package.
- DO NOT dismantle or tamper with the ink cartridge, this can cause the ink to leak out of the cartridge.
- Brother strongly recommends that you do not refill the ink cartridges provided with your machine. We also strongly recommend that you continue to use only Genuine Brother Brand replacement ink cartridges. Using or attempting to use potentially incompatible inks and /or cartridges in your machine may cause damage to the machine itself and/or it may result in unsatisfactory print quality. Our warranty coverage does not apply to any problem that was caused by the use of unauthorized third party ink and/or cartridges. To protect your investment and guarantee your print quality please continue to replace consumed ink cartridges with only Genuine Brother Branded Supplies.

## 12 Print quality check

- 1 After the cleaning cycle is finished, the LCD shows:

Set Paper and

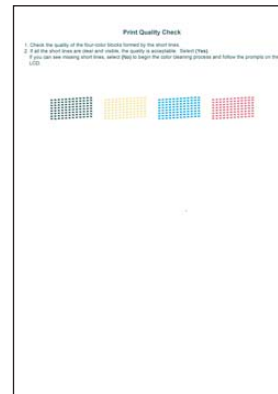


Press Start

- 2 Make sure paper is loaded in the paper tray. Press **Color Start**.

The machine starts printing the Print Quality Check Sheet (only during initial ink cartridge installation).

- 3 Check the quality of the four color blocks on the sheet.  
(black/yellow/cyan/magenta)



## ⊘ Improper Setup

Avoid touching the printed surface of the paper immediately after printing, the surface may not be completely dry and may stain your fingers.

- 4 The LCD shows:

Is Quality OK?



1.Yes 2.No

# Setting Up the Machine

**5**

Do one of the following:

- If all lines are clear and visible, press **1** (Yes) on the dial pad to finish the quality check.
- If you can see missing short lines, press **2** (No) on the dial pad and go to step **6**.

OK

Poor



**6**

The LCD asks you if the print quality is OK for black and color. Press **1** (Yes) or **2** (No) on the dial pad.

Black OK?



1.Yes 2.No

Color OK?



1.Yes 2.No

After pressing **1** (Yes) or **2** (No) for both black and color, the LCD shows:

Start Cleaning?



1.Yes 2.No

**7**

Press **1** (Yes), the machine will then start cleaning the colors.

**8**

After cleaning is finished, press **Color Start**. The machine starts printing the Print Quality Check Sheet again and goes back to step **3**.

**13**

## Choosing your language (Canada only) (FAX-2480C only)

**1**

Press **Menu**.

**2**

Press **0**.

**3**

Press **0**.

**4**

Press **▲** or **▼** to choose your language (English or French), and then press **OK**.

Language:English

**5**

Press **Stop/Exit**.

**14**

## Setting the LCD contrast

You can adjust the LCD contrast for a sharper and more vivid display.

If you are having difficulty seeing the LCD from your position, we recommend the following contrast setting for improved viewing.

**1**

Press **Menu**.

**2**

Press **1**.

**3**

Press **7**.

**4**

Press **▲** or **▼** to choose **Dark** or **Light**.

**5**

Press **OK**.

**6**

Press **Stop/Exit**.

Contrast:Light



Contrast:Dark



## 15 Setting the date and time

The machine displays the date and time, and if you set up the station ID it will add it to each fax you send.

- 1 Press **Menu**.
- 2 Press **0**.
- 3 Press **2**.
- 4 Enter the last two digits of the year on the dial pad, and then press **OK**.

Year: 2007

(e.g. Enter **0 7** for 2007.)

- 5 Enter the two digits for the month on the dial pad, and then press **OK**.

Month: 03

(e.g. Enter **0 3** for March.)

- 6 Enter the two digits for the day on the dial pad, and then press **OK**.

Day: 01

(e.g. Enter **0 1** for the first day of the month.)

- 7 Enter the time in 24-hour format on the dial pad, and then press **OK**.

Time: 15:25

(e.g. Enter **1 5, 2 5** for 3:25 P.M.)

- 8 Press **Stop/Exit**.



To confirm the current date and time, print out the Users Settings Report. See Printing Reports in Chapter 11 of the User's Guide.

## 16 Setting your station ID

You should store your name and fax number to be printed on all fax pages that you send.

- 1 Press **Menu**.
- 2 Press **0**.
- 3 Press **3**.
- 4 Enter your fax number (up to 20 digits) on the dial pad, and then press **OK**.

Fax: \_

- 5 Enter your name (up to 20 characters) using the dial pad, and then press **OK**.

Name: \_



### Note

- See the following chart for entering your name.
- If you need to enter a character that is on the same key as the last character, press to move the cursor to the right.
- If you entered a letter incorrectly and want to change it, press or to move the cursor under the incorrect character, press **Clear/Back**.

Press key	One time	Two times	Three times	Four times
2	A	B	C	2
3	D	E	F	3
4	G	H	I	4
5	J	K	L	5
6	M	N	O	6
7	P	Q	R	S
8	T	U	V	8
9	W	X	Y	Z

- 6 Press **Stop/Exit**.



### Note

If you make a mistake and want to start again, press **Stop/Exit** and go back to step 1.



For details, see Entering Text in Appendix C of the User's Guide.

## Note

(USA only)

The Telephone Consumer Protection Act of 1991 makes it unlawful for any person to use a computer or electronic device to send any message via a telephone fax machine unless such messages clearly contain, in a margin at the top or bottom of each transmitted page, or on the first page of the transmission, the date and time it is sent and an identification of the business or other entity or other individual sending the message and the telephone number of the sending machines or such business, other entity or individual.

To program this information into your machine, see *Setting the date and time* on page 13 and *Setting your station ID* on page 13.

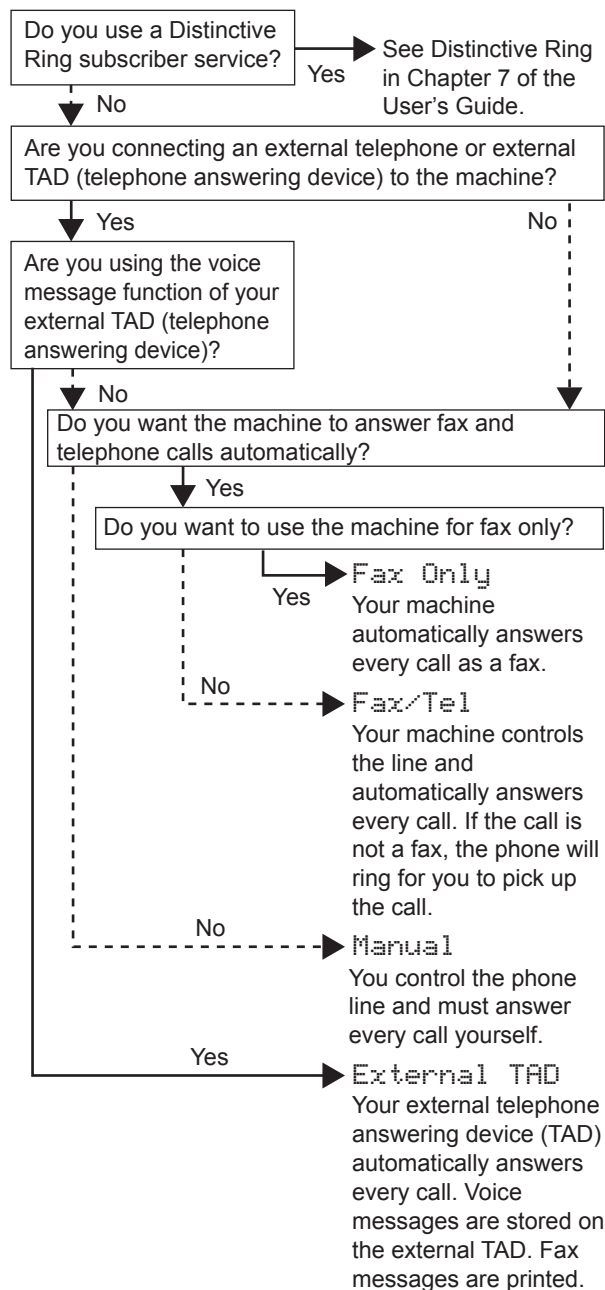
## 17 Setting tone or pulse dialing mode

Your machine comes set for Tone dialing service. If you have Pulse dialing service (rotary), you need to change the dialing mode.

- 1 Press **Menu**.
- 2 Press **0**.
- 3 Press **4**.
- 4 Press **▲** or **▼** to choose **Pulse** (or **Tone**). Press **OK**.
- 5 Press **Stop/Exit**.

## 18 Choosing a Receive Mode (FAX-2480C only)

There are four possible receive modes: **Fax Only**, **Fax/Tel**, **Manual** and **External TAD**.



- 1 Press **Menu**.
- 2 Press **0**.
- 3 Press **1**.
- 4 Press **▲** or **▼** to choose the mode.
- 5 Press **OK**.
- 6 Press **Stop/Exit**.

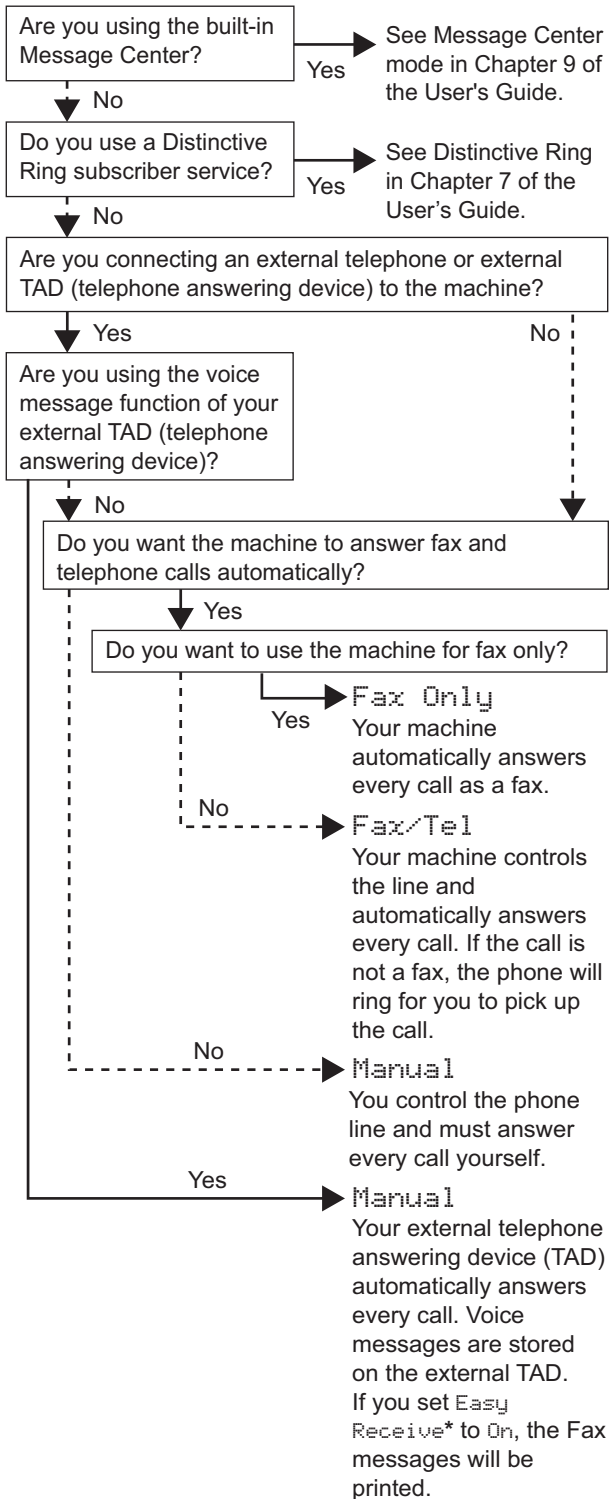


For details, see *Using receive modes* in Chapter 6 of the User's Guide.



## 19 Choosing a Receive Mode (FAX-2580C only)

There are three possible receive modes: Fax Only, Fax/Tel and Manual.



\*See Easy Receive in Chapter 6 of the User's Guide.

- 1 Press **Menu**.
- 2 Press **0**.
- 3 Press **1**.
- 4 Press **▲** or **▼** to choose the mode.
- 5 Press **OK**.
- 6 Press **Stop/Exit**.



For details, see *Using receive modes in Chapter 6 of the User's Guide.*

## 20 Setting up the Message Center (FAX-2580C only)


You must record an outgoing message in order to use the Message Center mode.

- 1 Record the Message Center Outgoing Message (Msg Ctr OGM).



See *Outgoing Message (OGM) in Chapter 9 of the User's Guide.*

- 2 Activate Message Center mode.

Press . The button will light when the mode is active.



If the Message Center Mode is on, it overrides your Receive Mode setting. The built-in digital Message Center answers voice calls. If the call is a fax, you can receive a fax automatically. For details, see *Message Center mode (FAX-2580C only) in Chapter 9 of the User's Guide.*

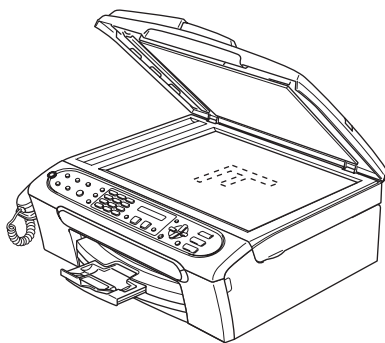
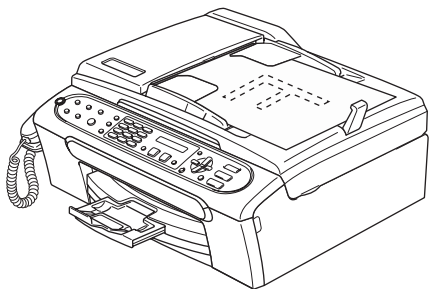
# Setting Up the Machine


## 21 Sending in the Product Registration and Test Sheet (USA only)

- 1 Fill out the Product Registration and Test Sheet.



- 2 Put the sheet face down in the ADF (Automatic Document Feeder) or the scanner glass.



- 3 Make sure  (Fax) is illuminated in Green.
- 4 Enter the toll-free fax number: 1-877-268-9575.
- 5 Press **Black Start**.

### Note

You will receive a confirmation fax of your Product Registration.

You can also register your product online using the On-Line Registration link from the installation CD-ROM or visit

<http://www.brother.com/registration>.

## 22 Using the Fax as a printer or for PC-Fax send

You can download the Brother printer driver and PC-Fax send driver from the Brother Solutions Center for use with FAX-2480C and FAX-2580C.

Visit us at: <http://solutions.brother.com>

Follow install instructions on the Driver download page.

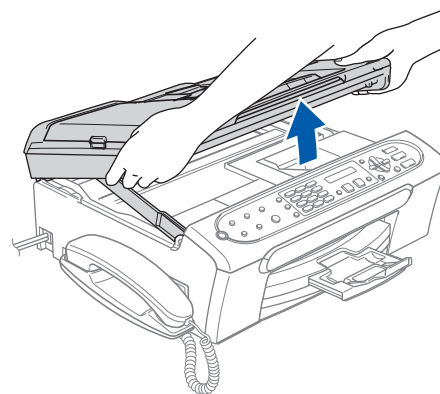
### Note


- Please download the printer driver first before connecting the machine to your computer with a USB cable.
- You must use an appropriate USB 2.0 interface cable. If you do not have it, please purchase a USB 2.0 interface cable that is no longer than 6 feet long (2 meters).
- Your machine has a USB interface that is compatible with the USB 2.0 specification. This interface is also compatible with High-Speed USB 2.0; however, the maximum data transfer rate will be 12 Mbits/s. The machine can also be connected to a computer that has a USB 1.1 interface.
- Third party USB ports are not supported for Macintosh®.

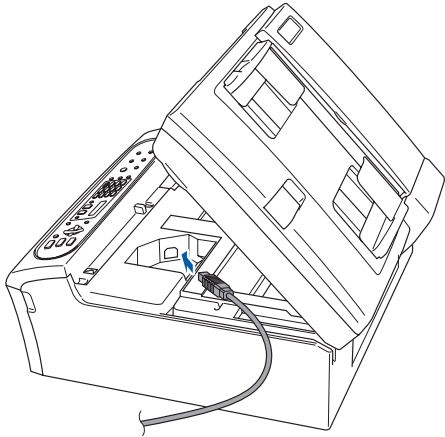
### Note

#### Connecting the USB cable

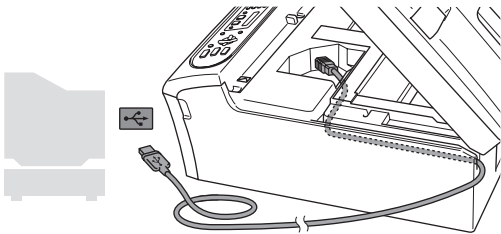
- 1 Using both hands, use the plastic tabs on both sides of the machine to lift the scanner cover until it locks securely into the open position.



- 2 Insert the USB cable into the USB socket marked with a  symbol. You will find the USB socket inside the machine as shown below.



- 3 Carefully route the USB cable through the trench and out the back of the machine as shown below and connect the cable to your computer.

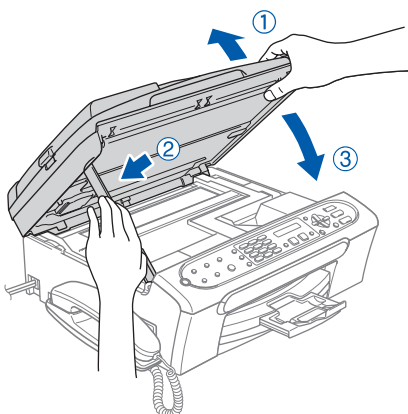


---

## Improper Setup

- **DO NOT** connect the machine to a USB port on a keyboard or a non-powered USB hub. Brother recommends that you connect the machine directly to your computer.
  - Make sure that the cable does not restrict the cover from closing, or an error may occur.
  - Please make sure you use a USB 2.0 cable that is no longer than 6 feet (2 meters) long.
- 

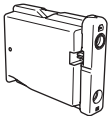
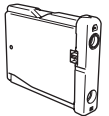
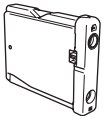
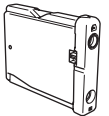
- 4 Lift the scanner cover to release the lock (①). Gently push the scanner cover support down (②) and close the scanner cover (③).



## Replacement consumables

When the time comes to replace ink cartridges, an error message will be indicated on the LCD. For more information about the ink cartridges for your machine, visit <http://solutions.brother.com> or contact your local Brother re-seller.

### Ink cartridge

Black	Yellow	Cyan	Magenta
LC51BK	LC51Y	LC51C	LC51M
			

### **Trademarks**

The Brother logo is a registered trademark of Brother Industries, Ltd.

Brother is a registered trademark of Brother Industries, Ltd.

Windows and Microsoft are registered trademarks of Microsoft in the U.S. and other countries.

Macintosh is registered trademark of Apple Computer, Inc.

Each company whose software title is mentioned in this manual has a Software License Agreement specific to its proprietary programs.

**All other brand and product names mentioned in this manual are trademarks or registered trademarks of their respective companies.**

### **Compilation and Publication**

Under the supervision of Brother Industries Ltd., this manual has been compiled and published, covering the latest product descriptions and specifications.

The contents of this manual and the specifications of this product are subject to change without notice.

Brother reserves the right to make changes without notice in the specifications and materials contained herein and shall not be responsible for any damages (including consequential) caused by reliance on the materials presented, including but not limited to typographical and other errors relating to the publication.

This product is designed for use in a Professional Environment.

### **Copyright and License**

©2006 Brother Industries, Ltd.

**brother**®



LP5666001  
USA/CAN  
Printed in China