



**FACSIMILE EQUIPMENT**

**PARTS REFERENCE LIST**

**MODEL: MFC7220 / 7225N**

**FAX2820 / 2825 / 2920**

**(For Germany / United Kingdom / France /  
Belgium / Netherlands / Switzerland /  
Ireland / Denmark / Austria / Spain / Italy /  
Portugal / China / Argentina / Chile / Asia /  
Korea / Russia / Oceania / Pan-Nordic /  
Euro Generic)**

© Copyright Brother 2005

All rights reserved

No part of this publication may be reproduced in any form  
or by any means without permission in writing from the  
publisher.

Specifications are subject to change without prior notice.

## NOTES FOR USING THIS PARTS REFERENCE LIST

1. In the case of ordering parts, it needs mentioning the following items:

- (1) Code
- (2) Q' ty
- (3) Description
- (4) Recommend (The  $\checkmark$  mark is attached to recommend parts at this column.)
- (5) Symbol (PCB No., Revision, and Parts location mounted on the PCB.)

Note: No orders without Parts Code or Tool No. can be accepted.

[Example]

	(1)	(2)	(3)	(4)	(5)	
REF.NO.	CODE	Q' TY	DESCRIPTION	RECOMMEND	SYMBOL	REMARKS

2. Design-changed parts:

When the parts are changed, any one of the following symbols is mentioned in the REMARKS column.

CHG (chg): The part is changed to a new part.

ADD (add): The part is newly added.

DEL (del): The part is deleted.

Symbol in capital letters indicates that the change is the latest one in the page.

3. Parts change will be informed by the technical information.

### COUNTRIES

GERMANY ---- GER

UNITED KINGDOM ---- UK

FRANCE ---- FRA

BELGIUM ---- BEL

NETHERLANDS ---- NLD

SWITZERLAND ---- CHE

IRELAND ---- IRE

DENMARK ---- DEN

AUSTRIA ---- AUS

SPAIN ---- SPA

ITALY ---- ITA

PORTUGAL ---- POR

CHINA ---- CHN

ARGENTINA ---- ARG

CHILE ---- CHL

ASIA ---- ASA

KOREA ---- KOR

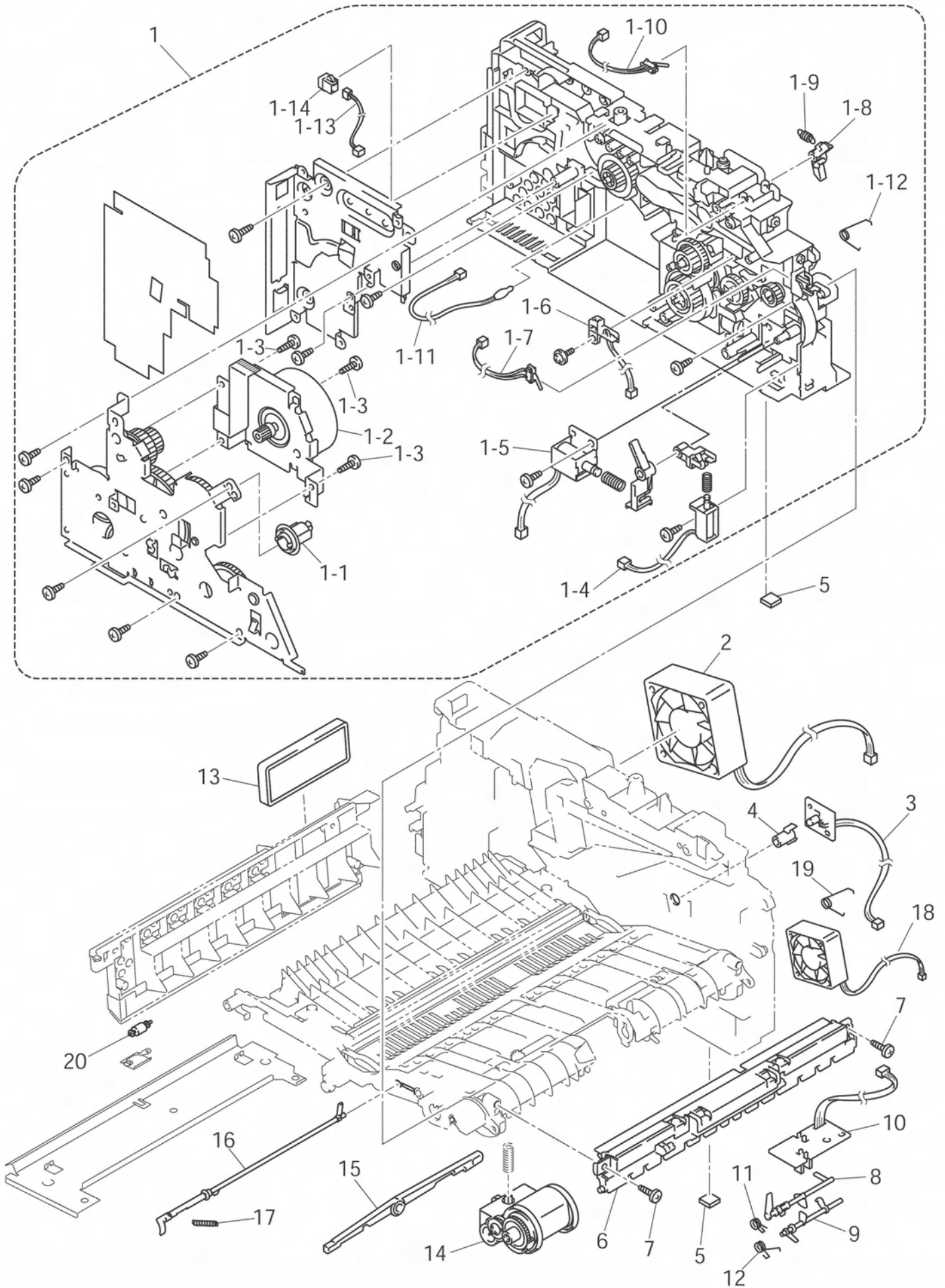
RUSSIA ---- RUS

OCEANIA (ARL & NZ) ---- OCE

PAN NORDIC ---- PND

EURO GENERIC ---- GNR

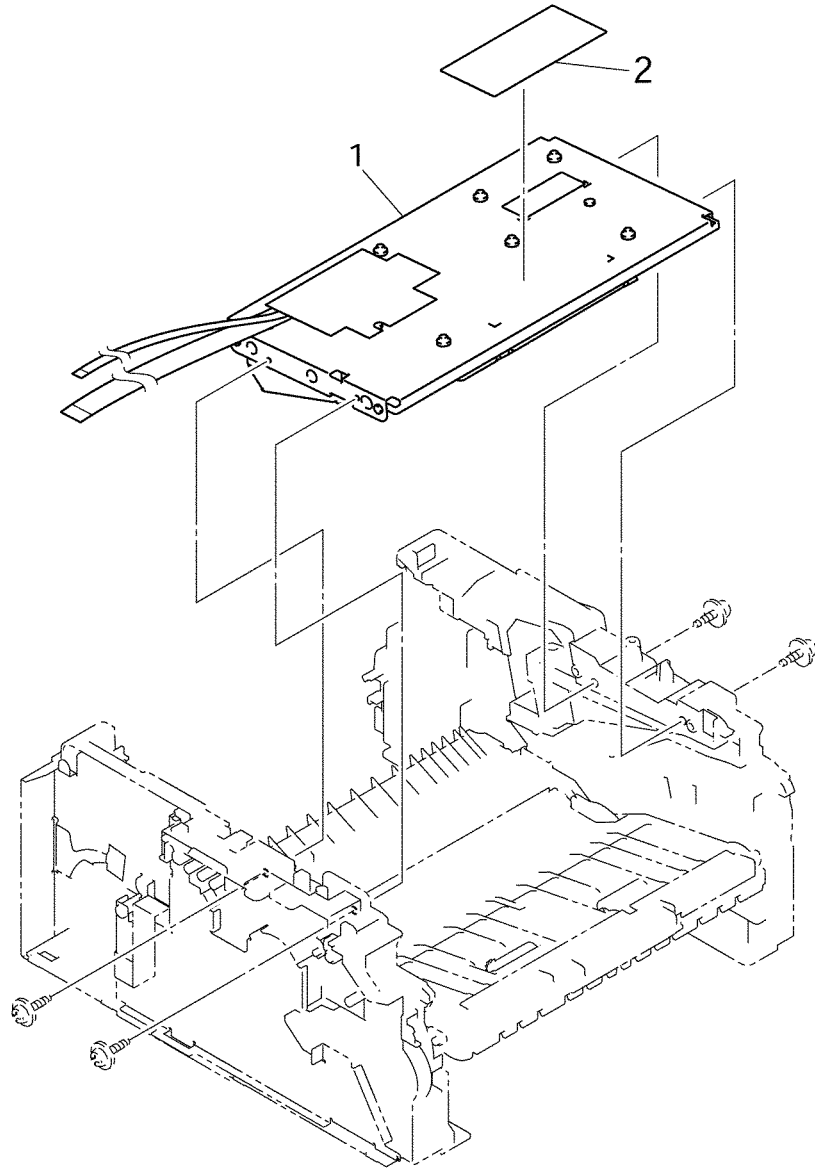
# 1. FRAME UNIT



## LIST1(FRAME UNIT)

REF No.	CODE	Q'TY	DESCRIPTION	RECOMMEND	REMARK
1	LF9390001	1	MAIN FRAME L ASSY-S, FAX2820/FAX2825		chg
1	LF9391001	1	MAIN FRAME L ASSY-S, FAX2920		chg
1	LF9390001	1	MAIN FRAME L ASSY-SV, FAX2920		add
1	LF9389001	1	MAIN FRAME L ASSY-S, MFC7220		chg
1	LF9388001	1	MAIN FRAME L ASSY-S, MFC7225N		chg
1	LP2080001	1	MAIN FRAME L ASSY-SV, MFC7225N		add
1-1	LM4227001	1	DEVELOP JOINT		
1-2	LM4341001	1	MAIN MOTOR ASSY		
1-3	087320616	3	TAPTITE CUP S M3X6		
1-4	LM4238001	1	P/R SOLENOID ASSY		chg
1-5	LM4234001	1	F/R SOLENOID ASSY		chg
1-6	LJ9740001	1	TONER SENSOR PCB ASSY		
1-7	LG5845001	1	COVER SENSOR ASSY		
1-8	LM4260001	1	NEW TONER ACTUATOR		
1-9	LM4261001	1	NEW TONER ACTUATOR SPRING		
1-10	LG5832001	1	NEW TONER SENSOR ASSY		
1-11	LG5834001	1	THERMISTOR ASSY		
1-12	LM6480001	1	PINCH SPRING L		CHG
1-13	LJ9744001	1	THERMISTOR RELAY HARNESS		add
1-13	LM9014001	1	THERMISTOR RELAY HARNESS-S		add
1-14	LJ9745001	1	THERMISTOR HARNESS JOINT		add
1-14	LM9013001	1	THERMISTOR HARNESS JOINT-S		add
2	LF6856001	1	FAN MOTOR 60 UNIT		
3	LJ9747001	1	TONER LED PCB ASSY		
4	LM4267001	1	LED HOLDER		
5	LJ7403001	2	RUBBER FOOT		
6	LM4275001	1	SUB CHUTE ASSY		
7	085411216	2	TAPTITE BIND B M4X12		
8	LM4282001	1	REGIST FRONT ACTUATOR		
9	LM4283001	1	TAIL EDGE ACTUATOR		
10	LJ9751001	1	REGIST SENSOR PCB ASSY		
11	LM4285001	1	REGIST FRONT SPRING		
12	LM4287001	1	TAIL EDGE SPRING		
13	LM4570001	1	FILTER ASSY		
14	LM4300001	1	PICKUP ROLLER HOLDER ASSY		
15	LM6482001	1	LINK LEVER		chg
16	LM4284001	1	REGIST REAR ACTUATOR		
17	LM4286001	1	REGIST REAR SPRING		
18	---		NOT USED		
19	LM6481001	1	PINCH SPRING R		CHG
20	LJ7432001	1	CLEANER PINCH ROLLER ASSY L		add

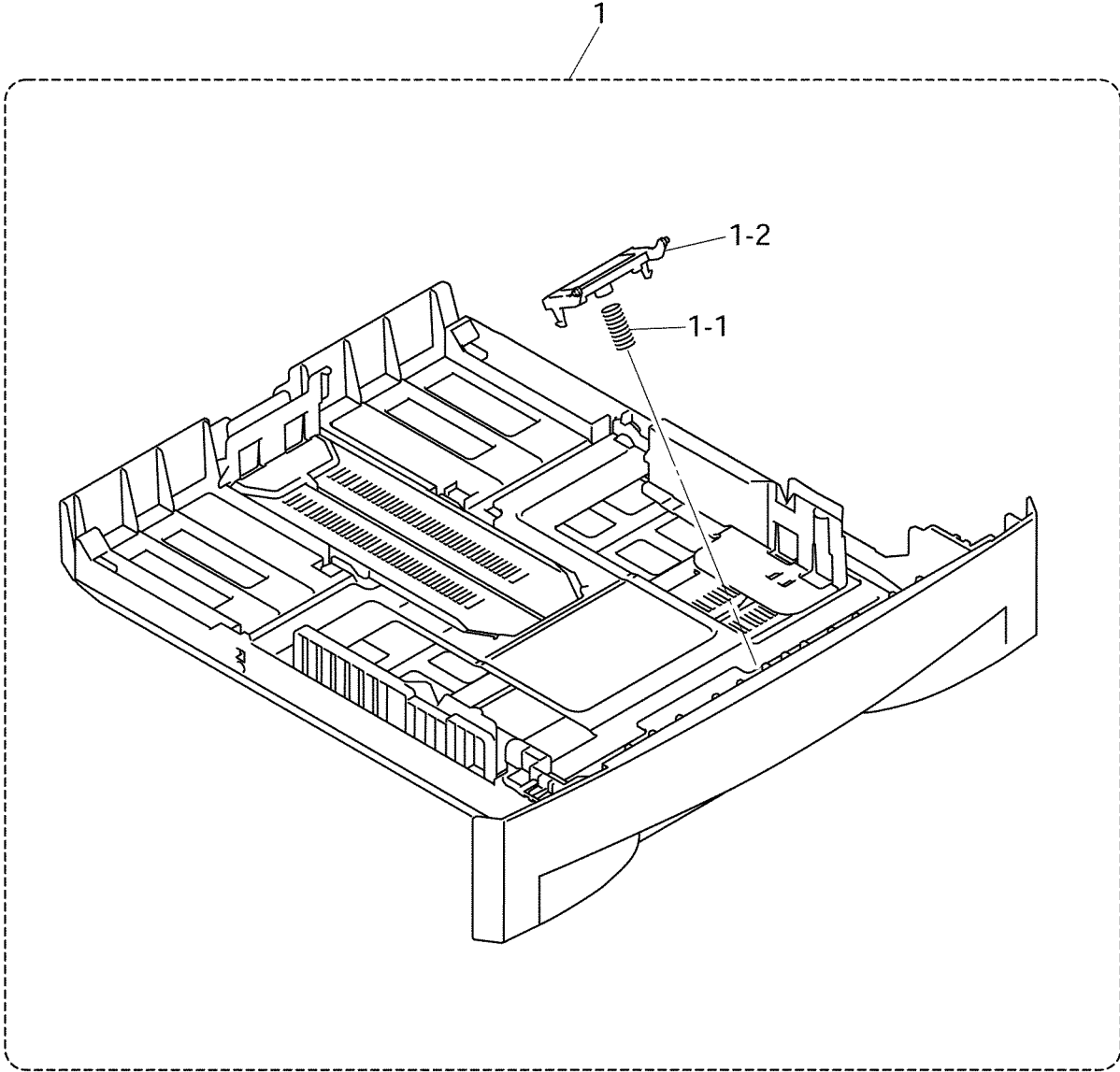
## 2. LASER UNIT



LIST2(LASER UNIT)

REF No.	CODE	Q'TY	DESCRIPTION	RECOMMEND	REMARK
1	LM4578001	1	LASER UNIT(SP)		
2	LJ0908001	1	LASER CAUTION LABEL EXCEPT FOR CHN		
2	UL7931001	1	LASER CAUTION LABEL FOR CHN		

3. PAPER CASSETTE

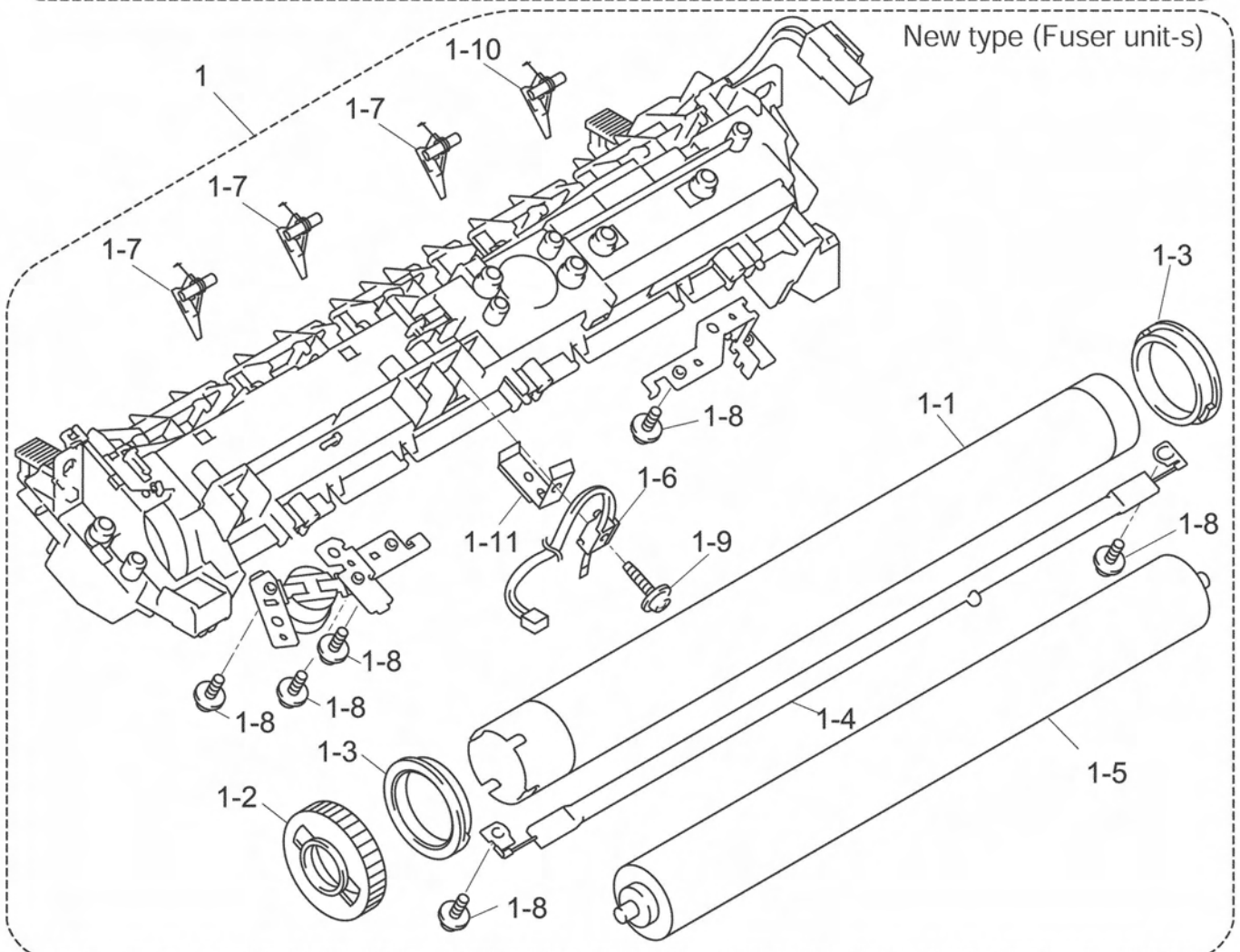
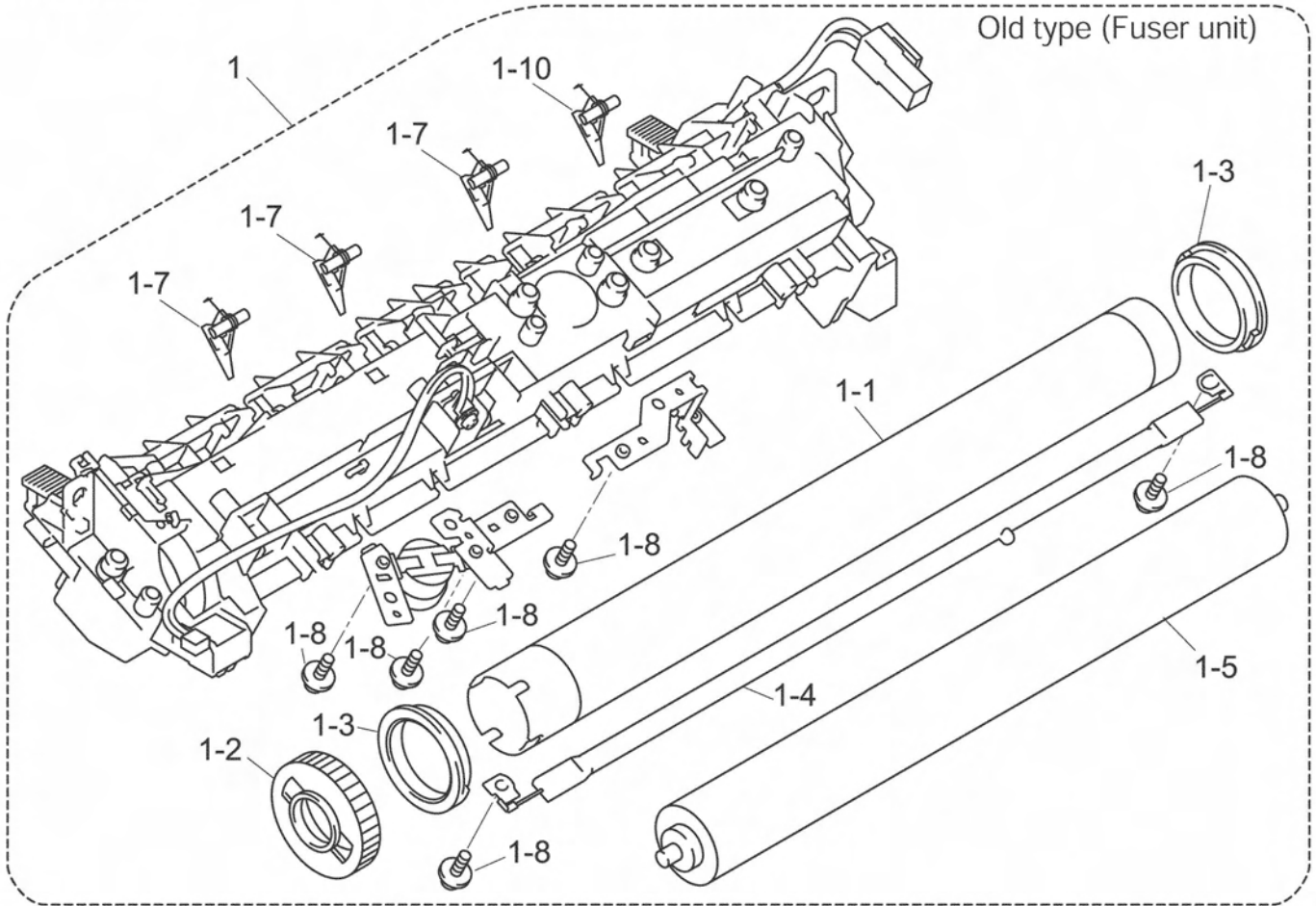




LIST3(PAPER CASSETTE)

REF No.	CODE	Q'TY	DESCRIPTION	RECOMMEND	REMARK
4	LM4441003	4	PAPER TRAY ASSY, GRAY(1737), FAX2820/FAX2920 FOR GER/UK/FRA/BEL/NLD/CHE/IRE/DEN/AUS/ SPA/ITA/POR/PND/GNR		DEL
1	LM6333003	1	PAPER TRAY ASSY, GRAY(1737), FAX2825/FAX2920/ FAX2820 FOR GER/UK/FRA/BEL/NLD/CHE/IRE/DEN/AUS/ SPA/ITA/POR/PND/GNR		CHG
1	LM6333001	1	PAPER TRAY ASSY, GRAY(1581), MFC7225N		CHG
1	LM6331003	1	PAPER TRAY ASSY, GRAY(1737), FAX2820 FOR CHN/ARG/CHL/ASA/KOR/OCE		CHG
1	LM6331001	1	PAPER TRAY ASSY, GRAY(1581), MFC7220		CHG
1-1	LM4146001	1	SEPARATION PAD SPRING		
1-2	LM4143001	1	SEPARATION PAD HOLDER ASSY		

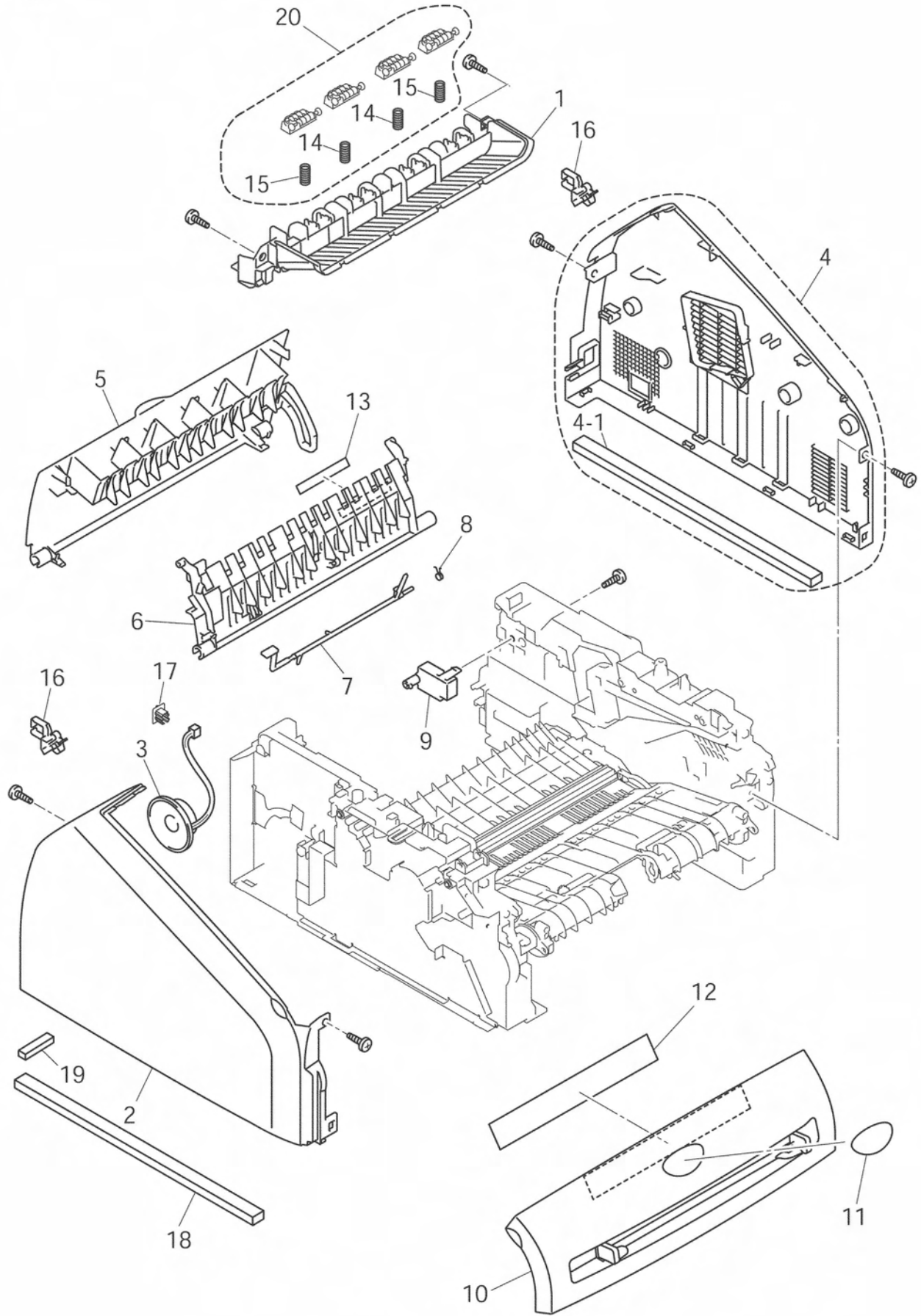
#### 4. FIXING UNIT



## LIST4(FIXING UNIT)

REF No.	CODE	Q'TY	DESCRIPTION	RECOMMEND	REMARK
1	LM4960001	1	FUSER UNIT 230V I-10/5 (SP)		chg
1	LM6314001	1	FUSER UNIT 230V S-10/5 (SP)		CHG
1-1	LM4009001	1	HEAT ROLLER		
1-2	LM4010001	1	HR GEAR		
1-3	LM4011001	2	HR BUSH		
1-4	LM4022001	1	HALOGEN HEATER 230V		
1-5	LM4013001	1	PRESSURE ROLLER		
1-6	LM4865001	1	THERMISTOR ASSY-S		chg
1-7	LM4994001	3	SEPARATE CLAW ASSY 10/1		chg
1-8	LM3855001	6	SCREW, PAN (S/P WASHER) M3X8		
1-9	087311216	1	TAPTITE CUP B M3X12		
1-10	LM4997001	1	SEPARATE CLAW ASSY 10/2		chg
1-11	LM6305001	1	THERMISTOR CLEANER ASSY2		CHG
<del>1-12</del>	<del>087310816</del>	<del>1</del>	<del>TAPTITE CUP B M3X8</del>		<del>DEL</del>

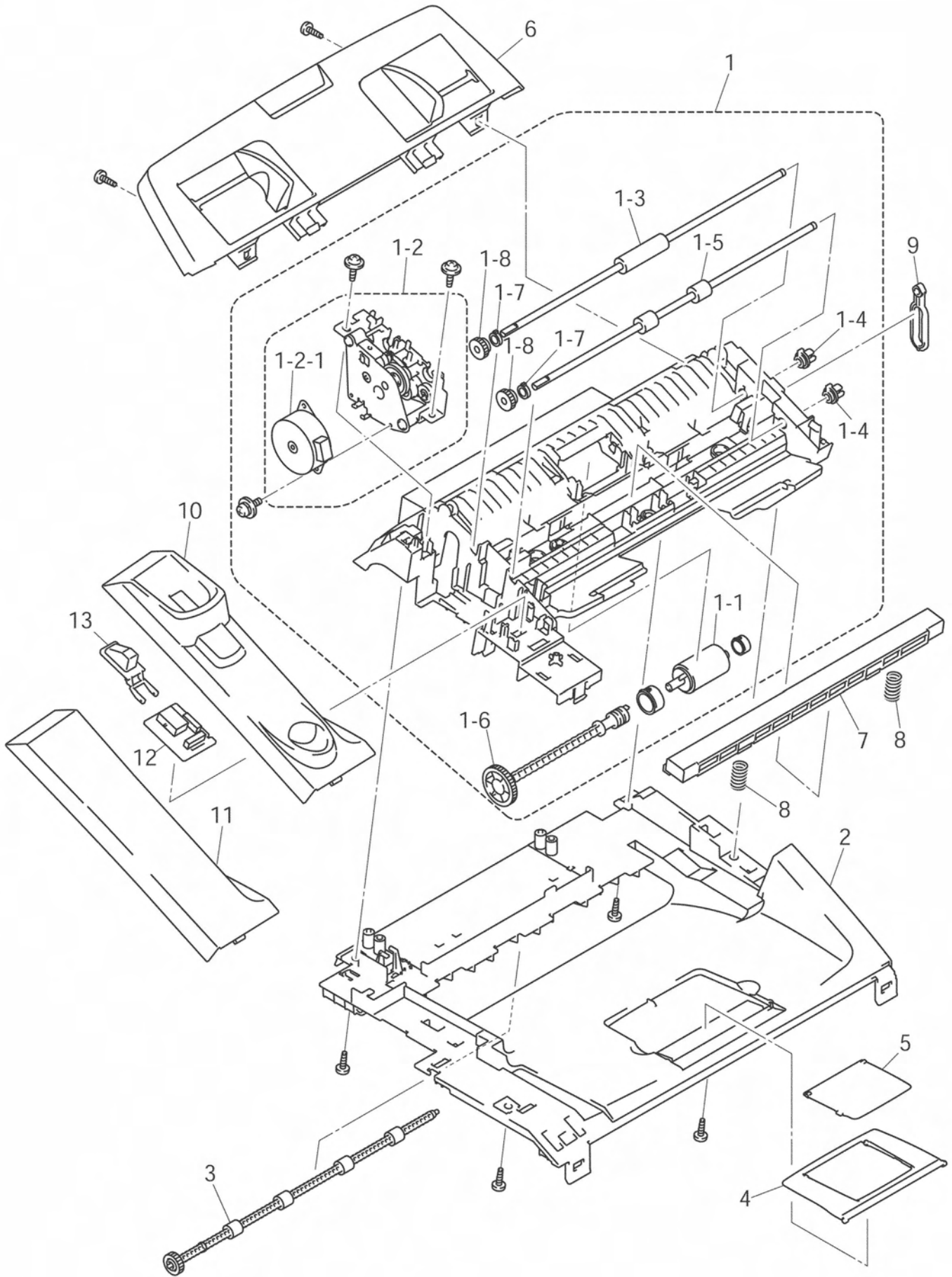
5. COVERS



## LIST5(COVERS)

REF No.	CODE	Q'TY	DESCRIPTION	RECOMMEND	REMARK
1	LM4113001	1	INNER CHUTE, GRAY(1581)		
2	LF6434001	1	SIDE COVER L, GRAY(1736)		
3	LG6047001	1	SPEAKER ASSY		
4	LF9090001	1	SIDE COVER R ASSY, GRAY(1736)		
4-1	LM4625001	1	COVER SPONGE		add
5	LM6229001	1	REAR COVER, GRAY(1736)		chg
6	LM4972001	1	REAR CHUTE COVER		chg
7	LM6320001	1	PAPER EJECT ACTUATOR3		CHG
8	LM6309001	1	EJECT ACTUATOR SPRING3		chg
9	LM4568001	1	REAR COVER STOPPER		
10	LM4124003	1	FRONT COVER ASSY, GRAY(1737), FAX2820/FAX2825/FAX2920 EXCEPT FOR CHN/RUS		
10	LM4124001	1	FRONT COVER ASSY, GRAY(1581), MFC7220/MFC7225N EXCEPT FOR CHN		
10	LM4556003	1	FRONT COVER ASSY, GRAY(1737), FAX2820 FOR CHN		
10	LM4556001	1	FRONT COVER ASSY, GRAY(1581), MFC7220 FOR CHN		
10	LM4755003	1	FRONT COVER ASSY, GRAY(1737), FAX2920 FOR RUS		
11	LM4162001	1	BROTHER EMBLEM		
12	LM4165001	1	PROCESS UNIT OP LABEL		
13	LM4167001	1	HEATER CAUTION LABEL		
14	-----	2	N/A		chg
15	-----	2	N/A		chg
15	LM4621004	2	PINCH ROLLER SPRING 2 FOR ASA/CHN		del
16	LF6745001	2	CORD HOOK		
17	UF5745000	1	MJ COVER, EXT FOR GER/UK/FRA/BEL/DEN/AUS/ITA/PND		
18	LM4625001	1	COVER SPONGE		add
19	LM4626001	1	COVER SPONGE L1		add
20	LM6289001	1	PINCH ROLLER SP ASSY 2		add

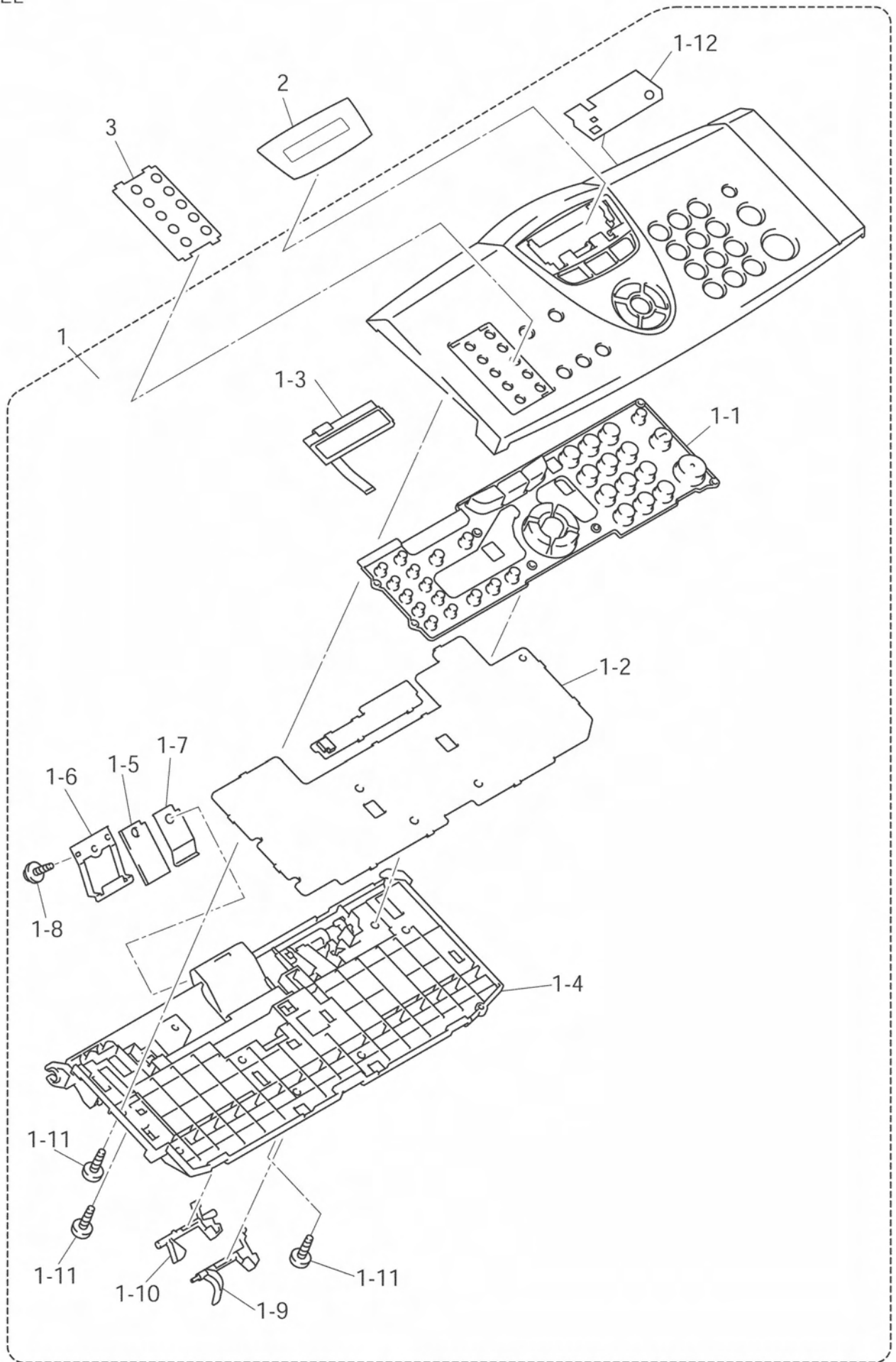
6. TOP COVER



## LIST6(TOP COVER)

REF No.	CODE	QTY	DESCRIPTION	RECOMMEND	SYMBOL	REMARK
1	LF6756002	1	DOCUMENT CHUTE ASSY, GRAY(1737), FAX2820/FAX2920 FOR GER/UK/FRA/BEL/NLD/ CHE/IRE/DEN/AUS/SPA/ITA/POR/PND/GNR			
1	LF6756001	1	DOCUMENT CHUTE ASSY, GRAY(1581), MFC7225N			
1	LF6439002	1	DOCUMENT CHUTE ASSY, GRAY(1737), FAX2820 FOR CHN/ARG/CHL/ASA/KOR/OCE, FAX2825			
1	LF6439001	1	DOCUMENT CHUTE ASSY, GRAY(1581), MFC7220			
1-1	UF5511001	1	SEPARATION ROLLER			
1-2	LF6442001	1	SCANNING DRIVE ASSY			
1-2-1	LF6446001	1	SCANNING MOTOR F SUB ASSY			
1-3	LF6449001	1	LF ROLLER			
1-4	LF6451001	2	BUSHING5			CHG
1-5	LF6452001	1	EJECTION ROLLER ASSY			
1-6	LF6441001	1	SEPARATION ROLLER GEAR			CHG
1-7	LF9115001	2	LF ROLLER COLLAR			ADD
1-8	LF6455001	2	LF ROLLER GEAR			ADD
2	LF9422002	1	INNER CHUTE COVER ASSY, GRAY(1737), FAX2820/FAX2825/FAX2920			chg
2	LF9422001	1	INNER CHUTE COVER ASSY, GRAY(1581), MFC7220/MFC7225N			chg
3	LM4105001	1	EJECT ROLLER ASSY			
4	LF6462002	1	PAPER STOPPER L, GRAY(1737), FAX2820/FAX2825/FAX2920			
4	LF6462001	1	PAPER STOPPER L, GRAY(1581), MFC7220/MFC7225N			
5	LF6463002	1	PAPER STOPPER S, GRAY(1737), FAX2820/FAX2825/FAX2920			
5	LF6463001	1	PAPER STOPPER S, GRAY(1581), MFC7220/MFC7225N			
6	LF6469001	1	DOCUMENT BASE ASSY, GRAY(1736)			
7	LG5584001	1	CIS			
8	UU2028001	2	CIS SPRING			
9	LF6465001	1	LINK STOPPER			
10	LF6466002	1	HANDSET HOLDER, GRAY(1737), FAX2820 FOR CHN/ARG/CHL/ASA/KOR/OCE, FAX2825, FAX2920 FOR RUS/GNR			
10	LF6466001	1	HANDSET HOLDER, GRAY(1581), MFC7220			
11	LF6517002	1	BLANK COVER, GRAY(1737), FAX2820/FAX2920 FOR GER/UK/FRA/BEL/NLD/CHE/IRE/DEN/AUS/SPA/ ITA/POR/RUS/PND/GNR			
11	LF6517001	1	BLANK COVER, GRAY(1581), MFC7225N			
12	LG6052001	1	HOOK PCB ASSY, FAX2825/MFC7220, FAX2820 FOR CHN/ARG/CHL/ASA/KOR/OCE, FAX2920 FOR RUS/GNR		B53K803	
13	UF8167008	1	ACTUATOR HOOK, GRAY(1495), FAX2820 FOR CHN/ARG/CHL/ASA/KOR/RUS/OCE, FAX2825, FAX2920 FOR RUS/GNR			
13	UF8167009	1	ACTUATOR HOOK, GRAY(1581), MFC7220			

7. PANEL





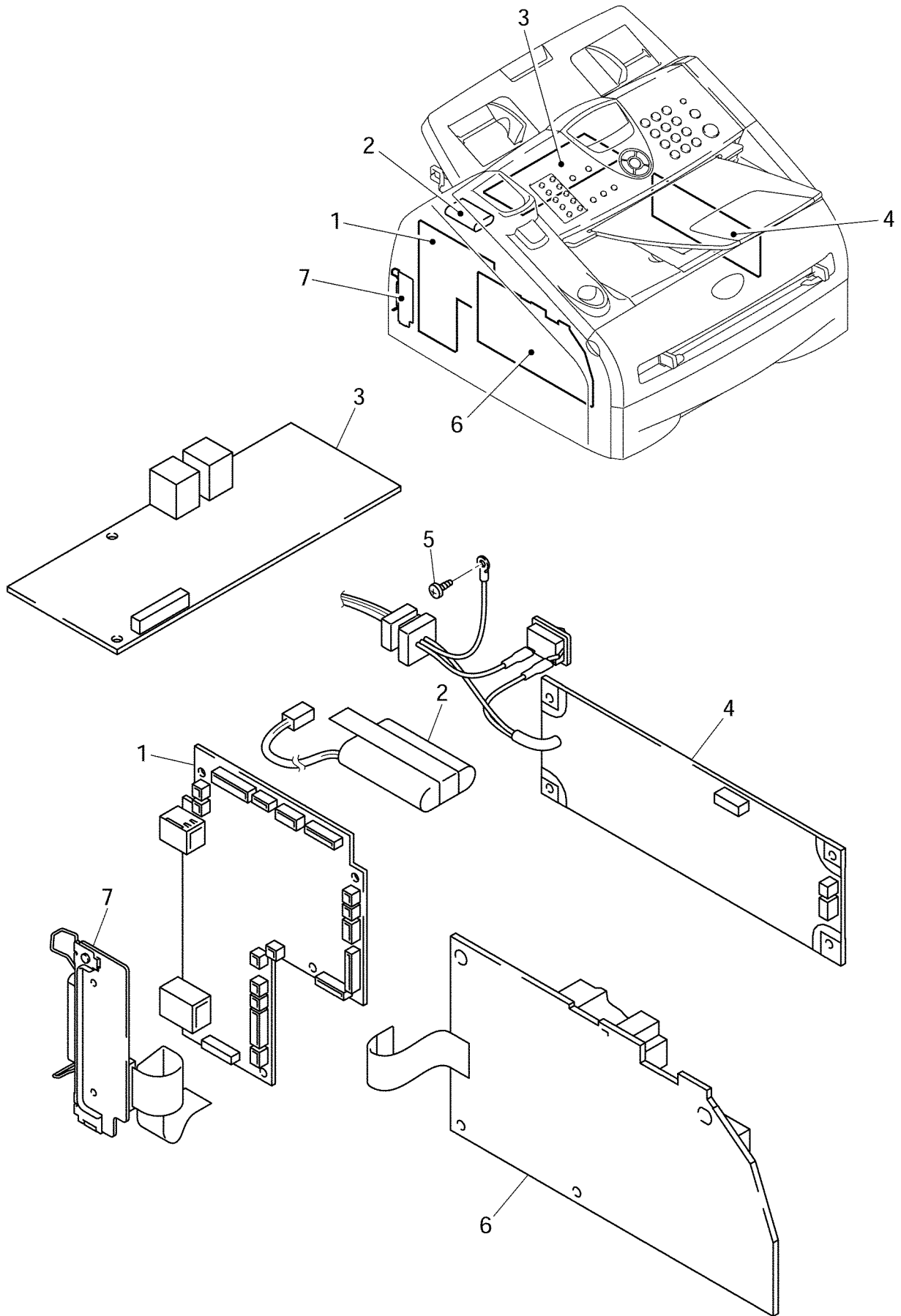
## LIST7(PANEL)

REF No.	CODE	Q'TY	DESCRIPTION	RECOMMEND	SYMBOL	REMARK
1	LF6888001	1	PANEL UNIT, GRAY(1737), FAX2820 FOR GER/AUS	√		
1	LF6939001	1	PANEL UNIT, GRAY(1737), FAX2920 FOR GER/AUS	√		
1	LF9017001	1	PANEL UNIT, GRAY(1581), MFC7225N FOR GER/AUS	√		
1	LF6715001	1	PANEL UNIT, GRAY(1737), FAX2820 FOR UK/BEL/CHE/IRE/GNR	√		
1	LF6720001	1	PANEL UNIT, GRAY(1737), FAX2920 FOR UK/CHE/IRE/GNR	√		
1	LF6518001	1	PANEL UNIT, GRAY(1581), MFC7225N FOR UK/BEL/CHE/IRE	√		
1	LF6909001	1	PANEL UNIT, GRAY(1737), FAX2820 FOR FRA	√		
1	LF9815001	1	PANEL UNIT, GRAY(1737), FAX2825 FOR FRA	√		add
1	LF6979001	1	PANEL UNIT, GRAY(1737), FAX2920 FOR FRA	√		
1	LF9028001	1	PANEL UNIT, GRAY(1581), MFC7225N FOR FRA	√		
1	LF9122001	1	PANEL UNIT, GRAY(1737), FAX2820 FOR NLD	√		
1	LF9146001	1	PANEL UNIT, GRAY(1737), FAX2920 FOR NLD	√		
1	LF9157001	1	PANEL UNIT, GRAY(1581), MFC7225N FOR NLD	√		
1	LF9825001	1	PANEL UNIT, GRAY(1737), FAX2825 FOR BEL/CHE	√		add
1	LF9130001	1	PANEL UNIT, GRAY(1737), FAX2820 FOR DEN/PND	√		
1	LF9162001	1	PANEL UNIT, GRAY(1581), MFC7225N FOR DEN/PND	√		
1	LF6917001	1	PANEL UNIT, GRAY(1737), FAX2820 FOR SPA	√		
1	LF9833001	1	PANEL UNIT, GRAY(1737), FAX2825 FOR SPA	√		add
1	LF6982001	1	PANEL UNIT, GRAY(1737), FAX2920 FOR SPA	√		
1	LF9031001	1	PANEL UNIT, GRAY(1581), MFC7225N FOR SPA	√		
1	LF6922001	1	PANEL UNIT, GRAY(1737), FAX2820 FOR ITA	√		
1	LF9837001	1	PANEL UNIT, GRAY(1737), FAX2825 FOR ITA	√		add
1	LF6985001	1	PANEL UNIT, GRAY(1737), FAX2920 FOR ITA	√		
1	LF9034001	1	PANEL UNIT, GRAY(1581), MFC7225N FOR ITA	√		
1	LF9137001	1	PANEL UNIT, GRAY(1737), FAX2820 FOR POR	√		
1	LF9841001	1	PANEL UNIT, GRAY(1737), FAX2825 FOR POR	√		add
1	LF9152001	1	PANEL UNIT, GRAY(1737), FAX2920 FOR POR	√		
1	LF9166001	1	PANEL UNIT, GRAY(1581), MFC7225N FOR POR	√		
1	LF9273001	1	PANEL UNIT, GRAY(1737), FAX2820 FOR CHN	√		
1	LF9291001	1	PANEL UNIT, GRAY(1581), MFC7220 FOR CHN	√		
1	LF6708001	1	PANEL UNIT, GRAY(1737), FAX2820 FOR ARG/CHL	√		
1	LF9008001	1	PANEL UNIT, GRAY(1581), MFC7220 FOR ARG/CHL/ASA/OCE	√		
1	LF6936001	1	PANEL UNIT, GRAY(1737), FAX2820 FOR ASA/OCE	√		
1	LF9424001	1	PANEL UNIT, GRAY(1737), FAX2820 FOR KOR	√		add
1	LF9280001	1	PANEL UNIT, GRAY(1737), FAX2920 FOR RUS	√		
1-1	LF6723001	1	RUBBER KEY, PRINTED, FAX2820/FAX2920 FOR GER			
1-1	LF6722001	1	RUBBER KEY, PRINTED, MFC7225N FOR GER			
1-1	LF6669001	1	RUBBER KEY, PRINTED, FAX2820/FAX2825/FAX2920 EXCEPT FOR GER			
1-1	LF6476001	1	RUBBER KEY, PRINTED, MFC7220/MFC7225N EXCEPT FOR GER			
1-2	LG6091002	1	PANEL PCB ASSY, FAX2820/FAX2825		B53K805	
1-2	LG6057002	1	PANEL PCB ASSY, FAX2920		B53K805	
1-2	LG6057001	1	PANEL PCB ASSY, MFC7225N		B53K805	
1-2	LG6091001	1	PANEL PCB ASSY, MFC7220		B53K805	
1-3	LG5355001	1	LCD, FAX2820/FAX2825/MFC7220			
1-3	LG6059001	1	LCD, FAX2920/MFC7225N			
1-4	LF6479001	1	PANEL REAR COVER			
1-5	LF9097001	1	SEPARATION RUBBER			
1-6	LF6485001	1	ADF PLATE SPRING			
1-7	LF6486001	1	FRONT PLATE SPRING			
1-8	UF5034001	1	TAPTITE, B 3X6			
1-9	LF6488001	1	ACTUATOR R			chg
1-10	LF6487001	1	ACTUATOR F			chg
1-11	087310815	3	TAPTITE, CUP B M3X8			
1-12	LP2219001	1	SHADE FILM			ADD

## LIST7(PANEL)

REF No.	CODE	Q'TY	DESCRIPTION	RECOMMEND	SYMBOL	REMARK
2	LF6719001	1	PRINTED PANEL SHEET, FAX2820			
2	LF9817001	1	PRINTED PANEL SHEET, FAX2825			add
2	LF6721001	1	PRINTED PANEL SHEET, FAX2920 EXCEPT FOR RUS			
2	LF6520001	1	PRINTED PANEL SHEET, MFC7225N			
2	LF9014001	1	PRINTED PANEL SHEET, MFC7220			
2	LF9309001	1	PRINTED PANEL SHEET, FAX2920 FOR RUS			
3	LF6662001	1	ADDRESS LABEL, FAX2820/FAX2825/FAX2920			
3	LF6704001	1	ADDRESS LABEL, MFC7220/MFC7225N			

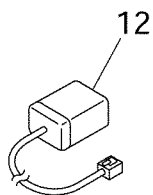
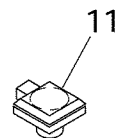
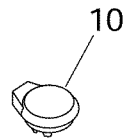
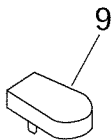
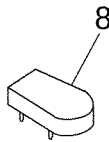
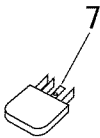
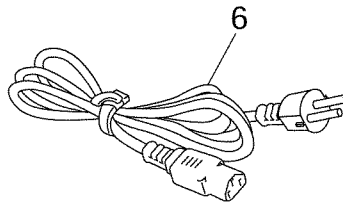
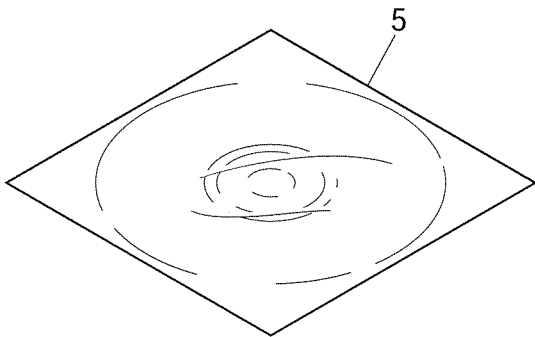
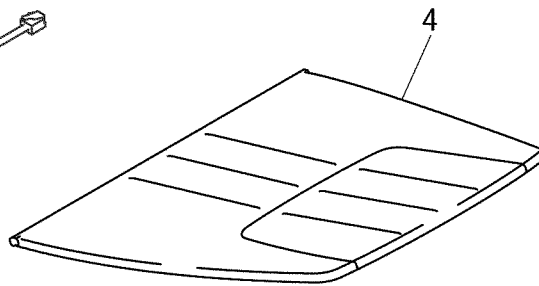
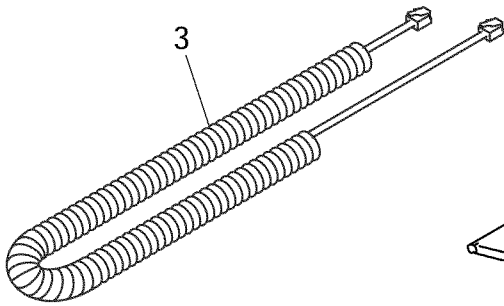
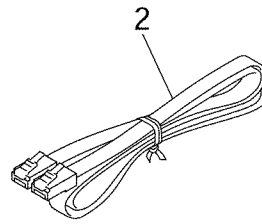
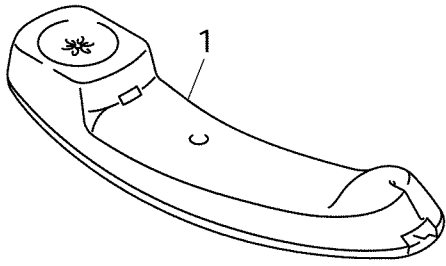
8. PCB



## LIST8(PCB)

REF No.	CODE	Q'TY	DESCRIPTION	RECOMMEND	SYMBOL	REMARK
1	LG6141002	1	MAIN PCB ASSY, FAX2820 FOR GER/UK/FRA/BEL/NLD/CHE/IRE/DEN/AUS/SPA/ ITA/POR/PND/GNR		B53K795	
1	LG6434002	1	MAIN PCB ASSY-S, FAX2820 FOR GER/UK/FRA/BEL/NLD/CHE/IRE/DEN/AUS/SPA/ ITA/POR/PND/GNR		B53K795	add
1	LG6617002	1	MAIN PCB ASSY-SV, FAX2820 FOR GER/UK/FRA/BEL/NLD/CHE/IRE/DEN/AUS/SPA/ ITA/POR/PND/GNR		B53K832	add
1	LG6617003	1	MAIN PCB ASSY-SV, FAX2820 FOR ARG/CHL/ASA/KOR/OCE, FAX2825		B53K832	chg
1	LG6140002	1	MAIN PCB ASSY, FAX2920 FOR GER/UK/FRA/NLD/CHE/IRE/AUS/SPA/ITA/POR		B53K802	
1	LG6436002	1	MAIN PCB ASSY-S, FAX2920 FOR GER/UK/FRA/NLD/CHE/IRE/AUS/SPA/ITA/POR		B53K802	add
1	LG6815002	1	MAIN PCB ASSY-SV, FAX2920 FOR GER/UK/FRA/NLD/CHE/IRE/AUS/SPA/ITA/POR		B53K833	ADD
1	LG6065002	1	MAIN PCB ASSY, MFC7225N		B53K802	
1	LG6435002	1	MAIN PCB ASSY-S, MFC7225N		B53K802	add
1	LG6816002	1	MAIN PCB ASSY-SV, MFC7225N		B53K833	ADD
1	LG6381001	1	MAIN PCB ASSY, FAX2820 FOR CHN		B53K795	
1	LG6619001	1	MAIN PCB ASSY-SV, FAX2820 FOR CHN		B53K832	add
1	LG6383001	1	MAIN PCB ASSY, MFC7220 FOR CHN		B53K795	
1	LG6620001	1	MAIN PCB ASSY-SV, MFC7220 FOR CHN		B53K832	add
1	LG6141003	1	MAIN PCB ASSY, FAX2820 FOR ARG/CHL/ASA/OCE		B53K795	
1	LG6434003	1	MAIN PCB ASSY-S, FAX2820 FOR ARG/CHL/ASA/KOR/OCE		B53K795	add
1	LG6086003	1	MAIN PCB ASSY, MFC7220 FOR ARG/CHL/ASA/OCE		B53K795	
1	LG6433003	1	MAIN PCB ASSY-S, MFC7220 FOR ARG/CHL/ASA/OCE		B53K795	add
1	LG6618003	1	MAIN PCB ASSY-SV, MFC7220 FOR ARG/CHL/ASA/OCE		B53K832	add
1	LG6409001	1	MAIN PCB ASSY-S, FAX2920 FOR RUS/GNR		B53K802	
1	LG6817001	1	MAIN PCB ASSY-SV, FAX2920 FOR RUS/GNR		B53K833	ADD
2	LG6167001	1	BATTERY ASSY, FAX2920/MFC7225N	√		
3	LG5923053	1	NCU PCB ASSY, FAX2820 FOR GER		B53K786	
3	LG5923054	1	NCU PCB ASSY, FAX2920/MFC7225N FOR GER		B53K786	
3	LG5923051	1	NCU PCB ASSY, FAX2820 FOR UK/FRA/BEL/ NLD/IRE/DEN/AUS/SPA/ITA/POR/PND/GNR		B53K786	
3	LG5923052	1	NCU PCB ASSY, FAX2920/MFC7225N FOR UK/FRA/BEL/NLD/IRE/DEN/AUS/SPA/ITA/POR/PND		B53K786	
3	LG6382002	1	NCU PCB ASSY, FAX2825 FOR FRA/BEL/SPA/ITA/POR		B53K786	add
3	LG5923055	1	NCU PCB ASSY, FAX2820 FOR CHE		B53K786	
3	LG6382003	1	NCU PCB ASSY, FAX2825 FOR CHE		B53K786	add
3	LG5923056	1	NCU PCB ASSY, FAX2920/MFC7225N FOR CHE		B53K786	
3	LG6233001	1	NCU PCB ASSY FOR CHN/ARG/CHL/ASA/KOR		B53K786	
3	LG6234001	1	NCU PCB ASSY FOR OCE		B53K786	
3	LG6382001	1	NCU PCB ASSY, FAX2920 FOR RUS/GNR		B53K786	
4	LG5915001	1	PS PCB UNIT, 230V FOR GER/UK/FRA/BEL/NLD/ CHE/IRE/DEN/AUS/SPA/ITA/POR/RUS/OCE/ PND/GNR			
4	LG6170001	1	PS PCB UNIT, 230V FOR CHN			
4	LG6200001	1	PS PCB UNIT, 230V FOR ARG/CHL/ASA/KOR			
5	LM2048001	2	SCREW, PAN (S/P WASHER) M3.5X6			
6	LJ9708001	1	HIGH-VOLTAGE PS PCB ASSY			
7	LG6068001	1	CDCC PCB ASSY, MFC7220/MFC7225N EXCEPT FOR CHN		B53K801	
7	LG6068002	1	CDCC PCB ASSY, MFC7220 FOR CHN		B53K801	

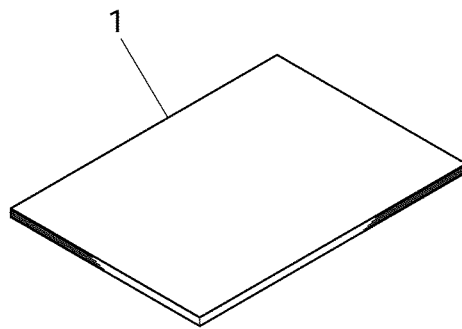
9. ACCESSORIES



## LIST9(Accessories)

REF No.	CODE	Q'TY	DESCRIPTION	RECOMMEND	REMARK
1	LE5803016	1	HANDSET ASSY, GRAY(1737), FAX2820 FOR CHN/ARG/CHL/ASA/OCE		
1	LF1518016	1	HANDSET ASSY, GRAY(1737), FAX2820 FOR KOR, FAX2825, FAX2920 FOR RUS/GNR		
1	LF1518003	1	HANDSET ASSY, GRAY(1581), MFC7220		
2	UG3625001	1	TELEPHONE LINE CORD FOR GER		
2	UG3626001	1	TELEPHONE LINE CORD FOR UK		
2	UG3627001	1	TELEPHONE LINE CORD FOR FRA		
2	UG1575001	1	TELEPHONE LINE CORD FOR BEL		
2	LG3077001	1	TELEPHONE LINE CORD FOR NLD/IRE/SPA/POR/CHN/ARG/ASA/KOR/RUS/OCE/GNR		
2	UG3469000	1	TELEPHONE LINE CORD FOR CHE		
2	LG5827001	1	TELEPHONE LINE CORD FOR DEN/PND		
2	UG4205001	1	TELEPHONE LINE CORD FOR AUS		
2	UG3634001	1	TELEPHONE LINE CORD FOR ITA		
2	UG3290001	1	TELEPHONE LINE CORD FOR OCE		chg
3	LG6156001	1	HANDSET CURLED CORD ASSY, GRAY(1495), FAX2820 FOR ARG/CHL/ASA/KOR/OCE, FAX2825		
3	LG6156003	1	HANDSET CURLED CORD ASSY, GRAY(1581), MFC7220		
4	LF6496002	1	PAPER EJECT TRAY ASSY, GRAY(1737), FAX2820/FAX2825/FAX2920		
4	LF6496001	1	PAPER EJECT TRAY ASSY, GRAY(1581), MFC7220/MFC7225N		
5	LF9019001	1	CD-ROM ASSY, MFC7225N FOR GER/UK/FRA/CHE/IRE/AUS <Windows>		
5	LF9021001	1	CD-ROM ASSY, MFC7225N FOR BEL/NLD/PND <Windows>		
5	LF9022001	1	CD-ROM ASSY, MFC7225N FOR DEN/PND <Windows>		
5	LF9020001	1	CD-ROM ASSY, MFC7225N FOR ITA/SPA/POR <Windows>		
5	LF9293001	1	CD-ROM ASSY, MFC7220 FOR CHN <Windows>		
5	LF9002001	1	CD-ROM ASSY, MFC7220 FOR ARG/ASA/OCE <Windows>		
5	LF9093001	1	CD-ROM ASSY, MFC7225N FOR GER/UK/FRA/CHE/IRE/AUS/SPA/ITA/POR/ARG/CHL/ <Macintosh>		
5	LF9094001	1	CD-ROM ASSY, MFC7225N FOR BEL/NLD/DEN/PND<Macintosh>		
6	LG4424001	1	AC CORD BAG ASSY LF, VDE FOR GER/FRA/ BEL/NLD/AUS/SPA/ITA/POR/ASA/KOR/RUS/PND/GNR		
6	LG6208001	1	AC CORD BAG ASSY LF BS/PSB FOR UK/IRE/ASA		chg
6	LG4718001	1	AC CORD BAG ASSY LF, SEV FOR CHE		chg
6	LG4720001	1	AC CORD BAG ASSY LF, DEMKO FOR DEN/PND		chg
6	LJ9353001	1	AC CORD BAG ASSY LF FOR CHN		
6	LJ9667001	1	AC CORD BAG ASSY LF, SAA FOR OCE		
6	LG6199001	1	AC CORD BAG ASSY LF FOR ARG		
6	LG6207001	1	AC CORD BAG ASSY LF FOR CHL		
7	LG3509001	1	TELEPHONE PLUG FOR OCE		
8	LG3622001	1	TELEPHONE PLUG FOR NLD		
9	LG5828001	1	TELEPHONE PLUG FOR DEN/PND		
10	LG5829001	1	TELEPHONE PLUG FOR PND		
11	LG5830001	1	TELEPHONE PLUG FOR PND		
12	---		NOT USED		CHG

## 10. PRINTING MATERIALS

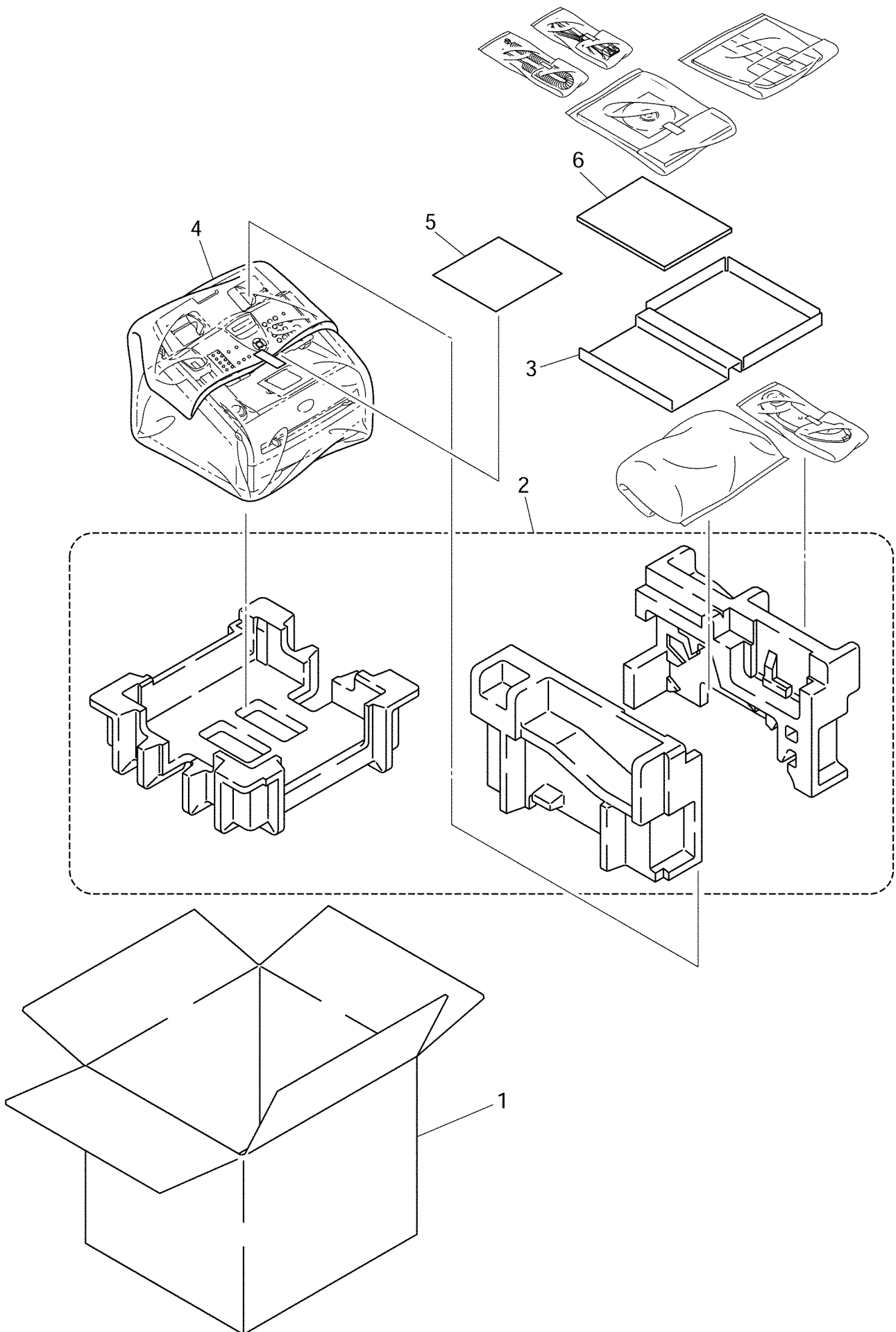


## LIST10(PRINTED MATERIALS)

REF No.	CODE	Q'TY	DESCRIPTION	RECOMMEND	REMARK
1	LF6772003	1	USER'S GUIDE FOR GER/AUS		
1	LF6772004	1	USER'S GUIDE FOR UK/IRE, FAX2820 FOR GNR		
4	LF6772005	4	USER'S GUIDE, FAX2820/FAX2920/MFC7225N FOR FRA		DEL
1	LF9819005	1	USER'S GUIDE, FAX2820/FAX2920/MFC7225N/FAX2825 FOR FRA		add
4	LF6772008	4	USER'S GUIDE, FAX2820/FAX2920/MFC7225N FOR BEL <DUTCH>		DEL
4	LF9119008	4	USER'S GUIDE, FAX2820/FAX2920/MFC7225N FOR BEL/CHE <FRENCH>		DEL
1	LF9819008	1	USER'S GUIDE, FAX2820/MFC7225N/FAX2825 FOR BEL<DUTCH>		add
1	LF9828008	1	USER'S GUIDE, FAX2820/FAX2920/MFC7225N/FAX2825 FOR BEL/CHE<FRENCH>		add
1	LF6772009	1	USER'S GUIDE FOR NLD		
4	LF6772010	4	USER'S GUIDE, FAX2820/FAX2920/MFC7225N FOR CHE <GERMAN>		DEL
1	LF9819010	1	USER'S GUIDE, FAX2820/FAX2920/MFC7225N/FAX2825 FOR CHE <GERMAN>		add
1	LF9133013	1	USER'S GUIDE FOR DEN/PND <DANISH, SWEDISH>		
4	LF6772015	4	USER'S GUIDE, FAX2820/FAX2920/MFC7225N FOR SPA		DEL
1	LF9819015	1	USER'S GUIDE, FAX2820/FAX2920/MFC7225N/FAX2825 FOR SPA		add
4	LF6772016	4	USER'S GUIDE, FAX2820/FAX2920/MFC7225N FOR ITA		DEL
1	LF9819016	1	USER'S GUIDE, FAX2820/FAX2920/MFC7225N/FAX2825 FOR ITA		add
4	LF6772018	4	USER'S GUIDE, FAX2820/FAX2920/MFC7225N FOR POR		DEL
1	LF9819018	1	USER'S GUIDE, FAX2820/FAX2920/MFC7225N/FAX2825 FOR POR		add
1	LF6772020	1	USER'S GUIDE FOR CHN		
1	LF6772040	1	USER'S GUIDE FOR ASA/OCE		
1	LF6772048	1	USER'S GUIDE FOR RUS		
1	LF9142007	1	USER'S GUIDE FOR PND <NORWEGIAN, FINNISH>		
1	LF6772037	1	USER'S GUIDE, FAX2920 FOR GNR <CZECH>		
4	LF6772038	4	USER'S GUIDE, FAX2920 FOR GNR <HUNGARIAN>		del
1	LF6772039	1	USER'S GUIDE, FAX2920 FOR GNR <POLISH>		



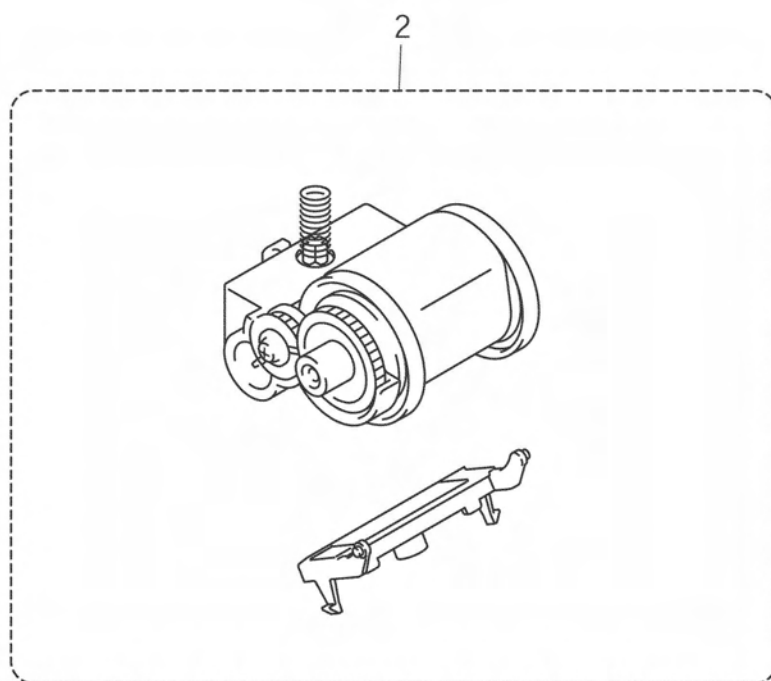
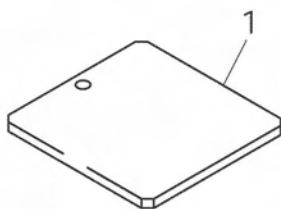
# 11. PACKING MATERIALS



## LIST11(PACKING MATERIALS)

REF No.	CODE	Q'TY	DESCRIPTION	RECOMMEND	REMARK
1	LF6900001	1	CARTON, BROTHER, FAX2820 FOR GER/UK/FRA/BEL/ NLD/CHE/IRE/DEN/AUS/SPA/ITA/POR/PND/GNR	√	
1	LF9820001	1	CARTON, BROTHER, FAX2825	√	ADD
1	LF6941001	1	CARTON, BROTHER, FAX2920 EXCEPT FOR RUS	√	
1	LF9023001	1	CARTON, BROTHER, MFC7225N	√	
1	LF9276001	1	CARTON, BROTHER, FAX2820 FOR CHN	√	
1	LF9294001	1	CARTON, BROTHER, MFC7220 FOR CHN	√	
1	LF6929001	1	CARTON, BROTHER, FAX2820 FOR ARG/CHL/ASA/OCE	√	
1	LF9010001	1	CARTON, BROTHER, MFC7220 FOR ARG/CHL/ASA/OCE	√	
1	LF9426001	1	CARTON, BROTHER, FAX2820 FOR KOR	√	add
1	LF9283001	1	CARTON, BROTHER, FAX2920 FOR RUS	√	
2	LF6500001	1	POLYSTYRENE PAD ASSY		
3	LF6748001	1	OPTION CARTON		
4	LJ5584001	1	BAG, 700X800H		
5	UU0456001	1	PROTECTION PAPER		
6	LF6777003	1	QUICK SETUP GUIDE, FAX2820/FAX2920 FOR GER/AUS		
6	LF6791003	1	QUICK SETUP GUIDE, MFC7225N FOR GER		
6	LF6777004	1	QUICK SETUP GUIDE, FAX2820/FAX2920 FOR UK/IRE, FAX2820 FOR GNR		
6	LF6791004	1	QUICK SETUP GUIDE, MFC7225N FOR UK		
6	LF6777005	1	QUICK SETUP GUIDE, FAX2820/FAX2920 FOR FRA		
6	LF9824005	1	QUICK SETUP GUIDE, FAX2825 FOR FRA		ADD
6	LF6791005	1	QUICK SETUP GUIDE, MFC7225N FOR FRA		
6	LF6777008	1	QUICK SETUP GUIDE, FAX2820 FOR BEL <DUTCH>		
6	LF9824008	1	QUICK SETUP GUIDE, FAX2825 FOR BEL <DUTCH>		ADD
6	LF9121008	1	QUICK SETUP GUIDE, FAX2820/FAX2920 FOR BEL/CHE <FRENCH>		
6	LF6791008	1	QUICK SETUP GUIDE, MFC7225N FOR BEL <DUTCH>		
6	LF9156008	1	QUICK SETUP GUIDE, MFC7225N FOR BEL/CHE <FRENCH>		
6	LF9830008	1	QUICK SETUP GUIDE, FAX2825 FOR BEL/CHE <FRENCH>		ADD
6	LF6777009	1	QUICK SETUP GUIDE, FAX2820/FAX2920 FOR NLD		
6	LF6791009	1	QUICK SETUP GUIDE, MFC7225N FOR NLD		
6	LF6777010	1	QUICK SETUP GUIDE, FAX2820/FAX2920 FOR CHE <GERMAN>		
6	LF6791010	1	QUICK SETUP GUIDE, MFC7225N FOR CHE <GERMAN>		
6	LF9824010	1	QUICK SETUP GUIDE, FAX2825 FOR CHE <GERMAN>		ADD
6	LF6777013	1	QUICK SETUP GUIDE, FAX2820 FOR DEN/PND <DANISH>		
6	LF6791013	1	QUICK SETUP GUIDE, MFC7225N FOR DEN/PND <DANISH>		
6	LF6777015	1	QUICK SETUP GUIDE, FAX2820/FAX2920 FOR SPA		
6	LF9824015	1	QUICK SETUP GUIDE, FAX2825 FOR SPA		ADD
6	LF6791015	1	QUICK SETUP GUIDE, MFC7225N FOR SPA		
6	LF6777016	1	QUICK SETUP GUIDE, FAX2820/FAX2920 FOR ITA		
6	LF9824016	1	QUICK SETUP GUIDE, FAX2825 FOR ITA		ADD
6	LF6791016	1	QUICK SETUP GUIDE, MFC7225N FOR ITA		
6	LF6777018	1	QUICK SETUP GUIDE, FAX2820/FAX2920 FOR POR		
6	LF9824018	1	QUICK SETUP GUIDE, FAX2825 FOR POR		ADD
6	LF6791018	1	QUICK SETUP GUIDE, MFC7225N FOR POR		
6	LF6777020	1	QUICK SETUP GUIDE, FAX2820 FOR CHN		
6	LF6791020	1	QUICK SETUP GUIDE, MFC7220 FOR CHN		
6	LF6777040	1	QUICK SETUP GUIDE, FAX2820 FOR ASA/OCE		
6	LF6791040	1	QUICK SETUP GUIDE, MFC7220 FOR ASA/OCE		
6	LF6777048	1	QUICK SETUP GUIDE, FAX2920 FOR RUS		
6	LF6777007	1	QUICK SETUP GUIDE, FAX2820 FOR PND <NORWEGIAN>		
6	LF6777012	1	QUICK SETUP GUIDE, FAX2820 FOR PND <FINNISH>		
6	LF6777026	1	QUICK SETUP GUIDE, FAX2820 FOR PND <SWEDISH>		
6	LF6791007	1	QUICK SETUP GUIDE, MFC7225N FOR PND <NORWEGIAN>		
6	LF6791012	1	QUICK SETUP GUIDE, MFC7225N FOR PND <FINNISH>		
6	LF6791026	1	QUICK SETUP GUIDE, MFC7225N FOR PND <SWEDISH>		
6	LF6777037	1	QUICK SETUP GUIDE, FAX2920 FOR GNR <ENGLISH><CZECH><HUNGARIAN>		
6	LF6777039	1	QUICK SETUP GUIDE, FAX2920 FOR GNR <POLISH><BULGARIAN><RUMANIAN>		

12. OTHERS



## List12(OTHERS)

REF No.	CODE	Q'TY	DESCRIPTION	RECOMMEND	REMARK
1	LM4726001	1	CHECK JIG		
2	LM4581004	4	PAPER FEEDING KIT EXCEPT FOR CHN		DEL
2	LM6291001	1	PAPER FEEDING KIT		add

**brother**®

PL-FAX106  
8X5A31  
Ver. L-1