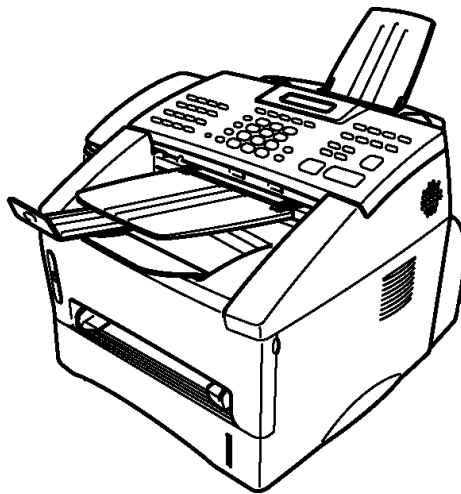


brother®

FACSIMILE EQUIPMENT PARTS REFERENCE LIST

**MODEL: FAX4750 / FAX5750
MFC8300 / MFC8600 /MFC8700**
(For U.S.A / Canada /
Australia / New Zealand /
Asia / Gulf / Korea)



© Copyright Brother 1999

All rights reserved

No part of this publication may be reproduced in any form or by any means without permission in writing from the publisher.

Specifications are subject to change without prior notice.

NOTES FOR USING THIS PARTS REFERENCE LIST

1. In the case of ordering parts, it needs mentioning the following items:

- (1) Code
- (2) Q' ty
- (3) Description

Note: No orders without Parts Code or Tool No. can be accepted.

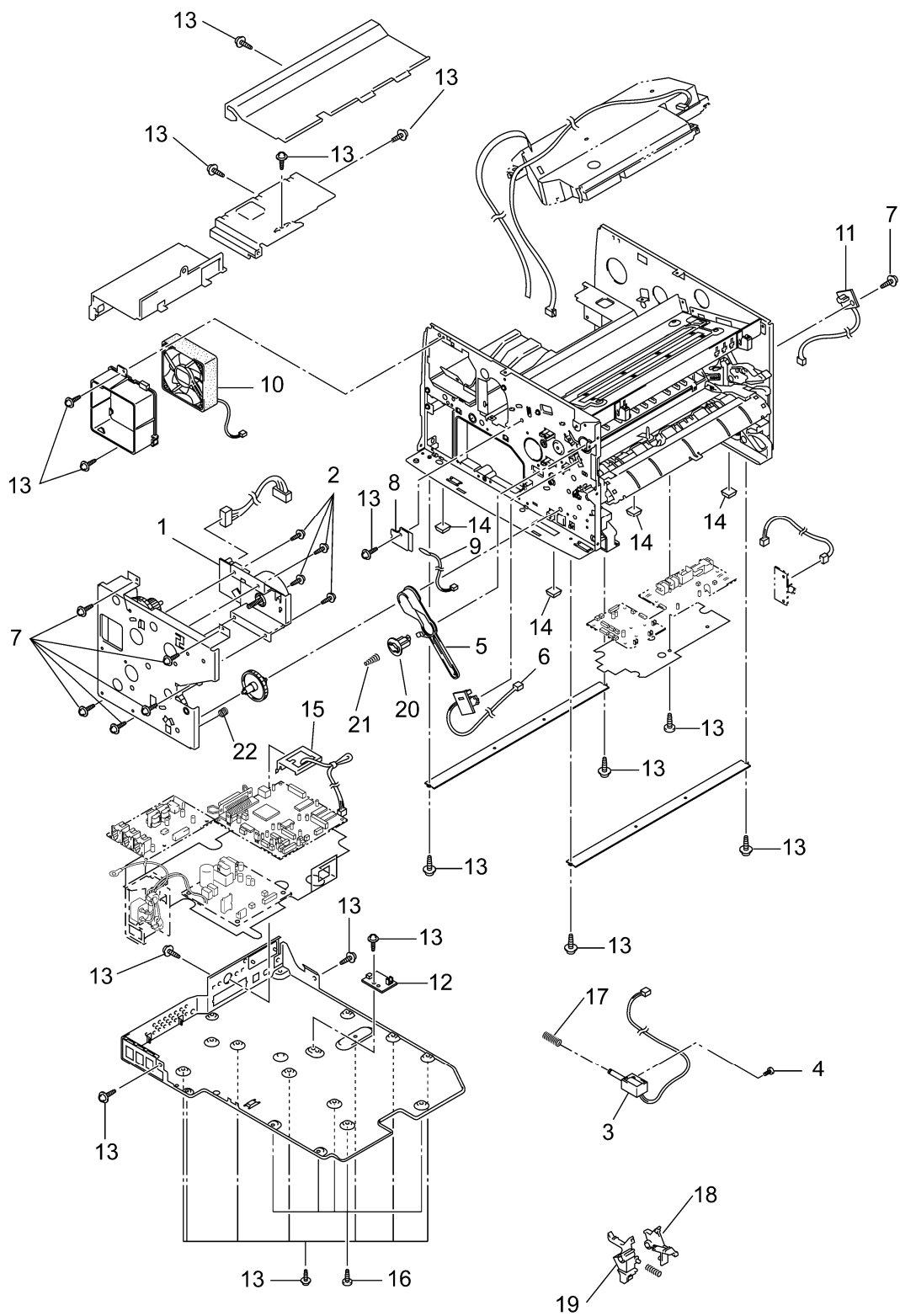
[Example]

REF.NO.	CODE	Q' TY	DESCRIPTION	REMARKS

2. Parts change will be informed by the technical information.

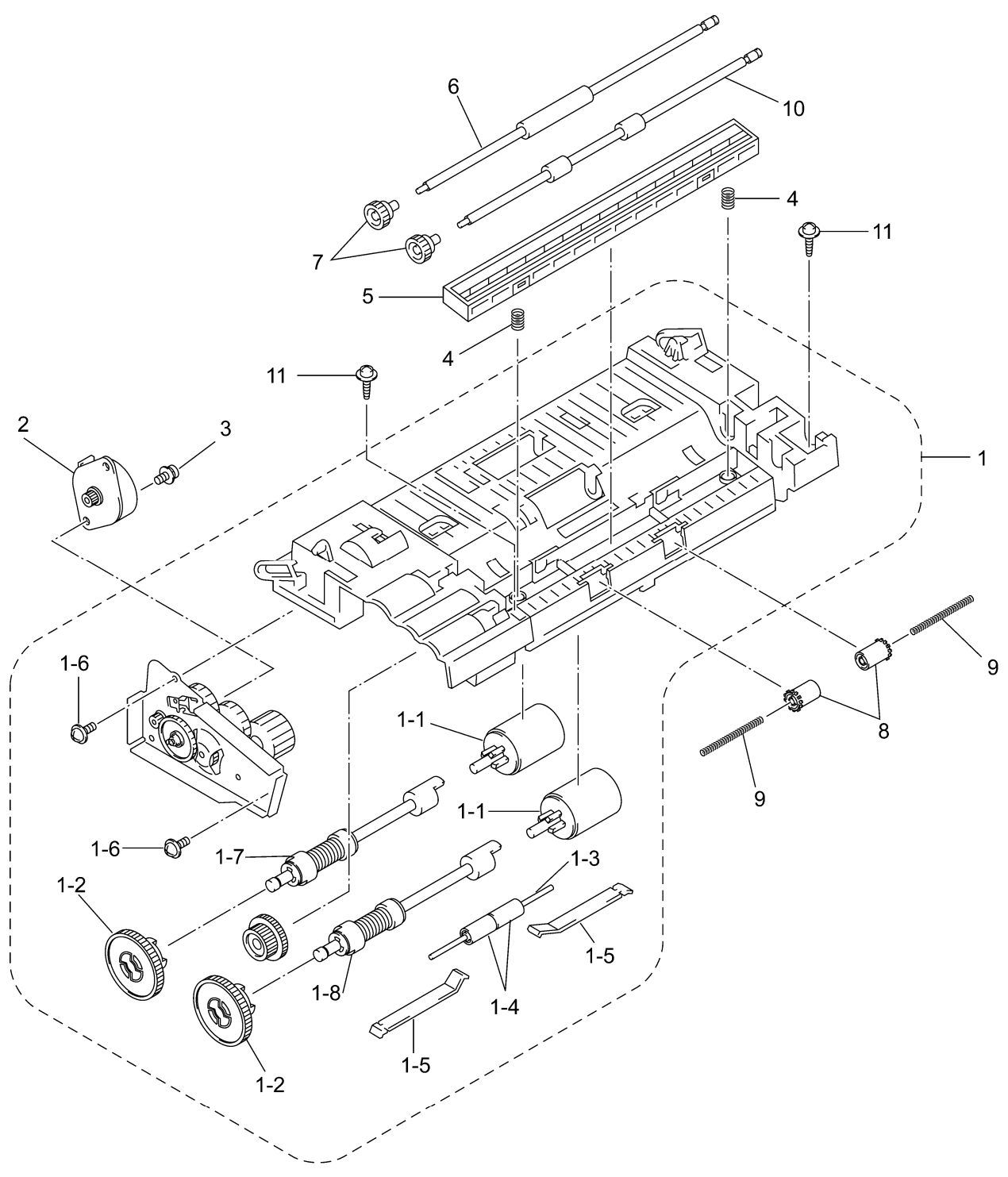
COUNTRIES

U.S.A. ----- US
Canada ----- CAN
Australia ----- ARL
New Zealand ----- NZ
Asia ----- ASA
Gulf ----- GUL
Korea ----- KOR



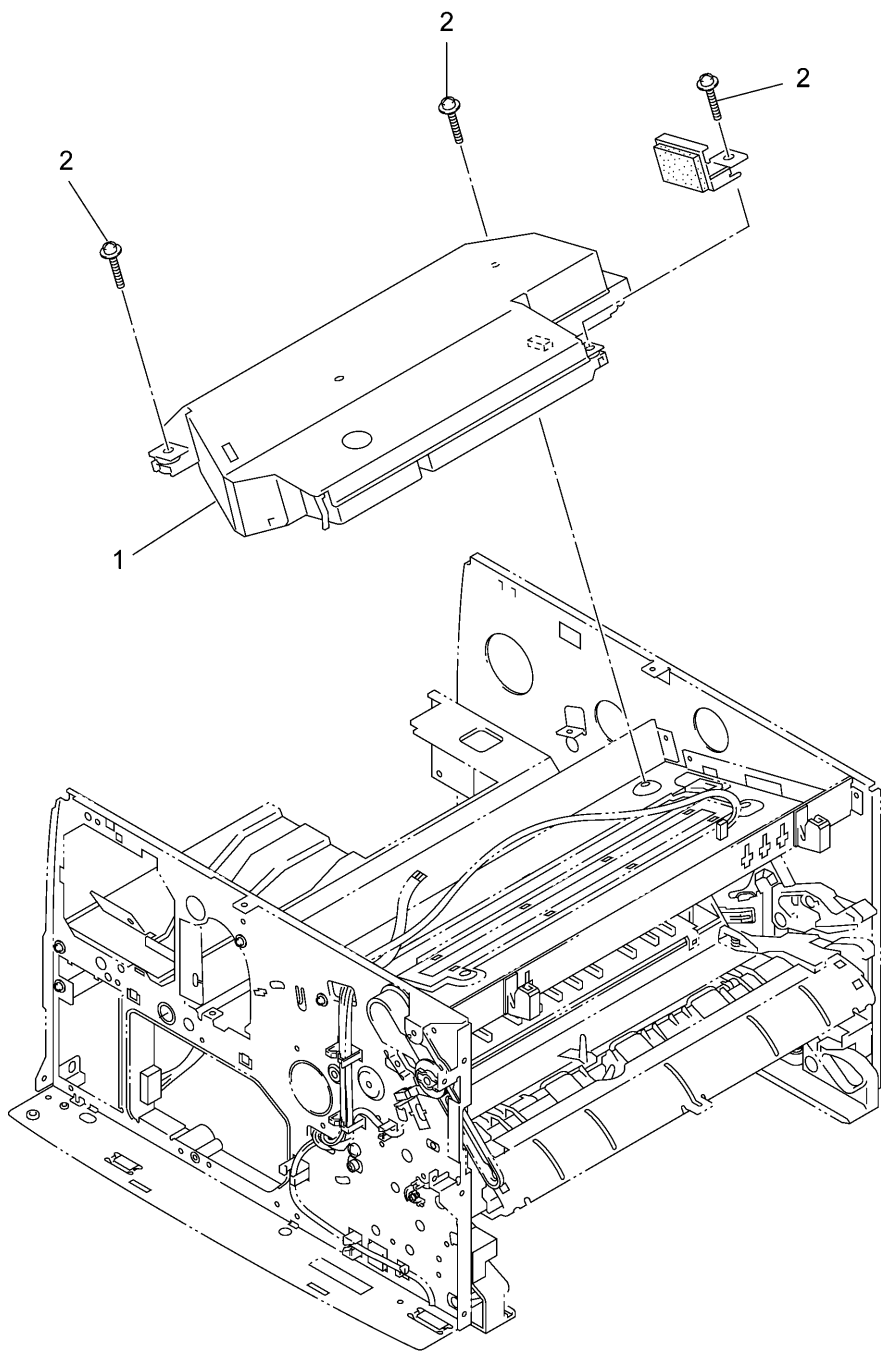
List1(MAIN FRAME)

REF.NO.	CODE	Q'TY	DESCRIPTION	REMARKS
1	UL9311001	1	MAIN MOTOR ASSY	
2	087320616	4	TAPTITE, CUP S M3X6	
3	LJ4069001	1	SOLENOID	
4	000300415	1	SCREW, BIND M3X4	
5	UL8984001	1	FRONT COVER LINK	
6	UL9099001	1	TONER SENSOR (LED) PCB	
7	087320616	6	TAPTITE, CUP S M3X6	
8	LE1166001	1	THERMISTOR FILM	
9	LE1284001	1	IN CASING TEMPERATURE THERMISTOR	
10	LJ4745001	1	FAN	
11	UL9104001	1	TONER SENSOR (RECEIVER) PCB	
12	UG6217001	1	PAPER EJECTION SENSOR PCB	
13	087320616	21	TAPTITE, CUP S M3X6	
14	LJ7403001	4	RUBBER FOOT	
15	LJ8031001	1	2ND CASSETTE RELAY PCB, FAX4750/FAX5750/MFC8600/MFC8700	
16	085411215	5	SCREW, BIND B TITE M4X12	
17	UL8970001	1	SOLENOID RELEASE SPRING	
18	UL8972001	1	P/R CLUTCH LEVER	
19	UL8971001	1	F/R CLUTCH LEVER	
20	UL8982001	1	DEVELOP JOINT	
21	UL8983001	1	JOINT SPRING	
22	UL8959001	4	FRICITION SPRING	



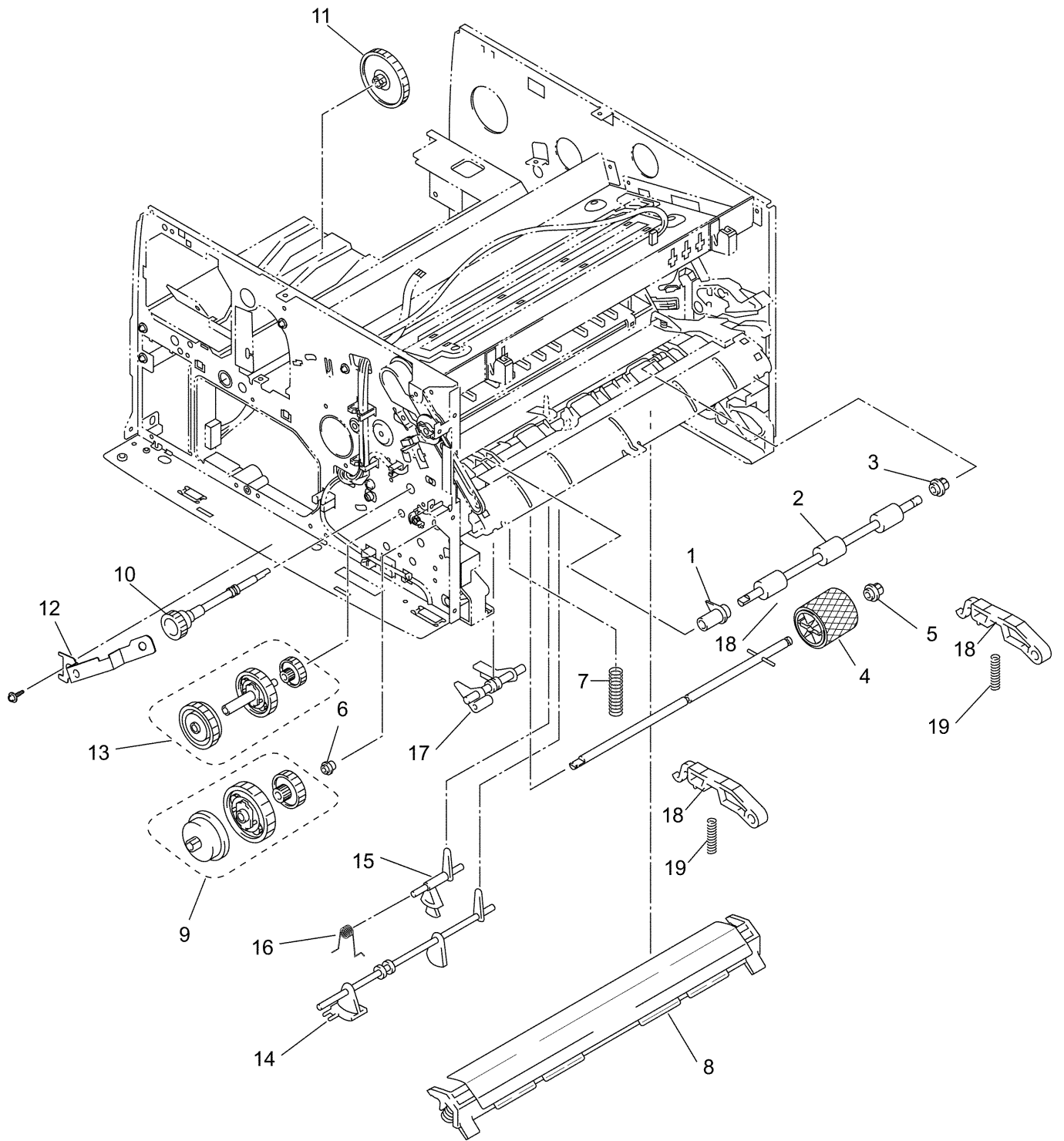
List2(DOCUMENT SCANNER)

REF.NO.	CODE	Q'TY	DESCRIPTION	REMARKS
1	LE1164001	1	SCANNER FRAME ASSY (SP)	
1-1	LE1072001	2	DOCUMENT SEPARATION ROLLER	
1-2	UL5632000	2	DOCUMENT SEPARATION ROLLER GEAR	
1-3	UF4369000	1	PRESSURE ROLLER SHAFT	
1-4	UF9009001	2	PRESSER ROLLER	
1-5	UU7032001	2	PRESSER ROLLER LEAF SPRING	
1-6	087310815	2	TAPTITE, CUP B M3X8	
1-7	UU2006001	1	DOCUMENT TAKE-IN ROLLER SHAFT ASSY, WHITE	
1-8	UU2008001	1	SEPARATION ROLLER SHAFT ASSY, BLACK	
2	UU2027001	1	SCANNER MOTOR	
3	0A4300605	1	SCREW, PAN (WASHER) M3X6DA	
4	UU2028001	2	CIS SPRING	
5	LE1160001	1	CIS UNIT (SP)	
6	UU2029001	1	DOCUMENT FEED ROLLER	
7	LE1196001	2	DOCUMENT FEED ROLLER ROLLER GEAR	
8	UL6244002	2	PINCH ROLLER	
9	UU2009001	2	PINCH ROLLER SPRING	
10	UU2031001	1	DOCUMENT EJECTION ROLLER	
11	087311016	2	TAPTITE, CUP B M3X10	



List3(LASER UNIT)

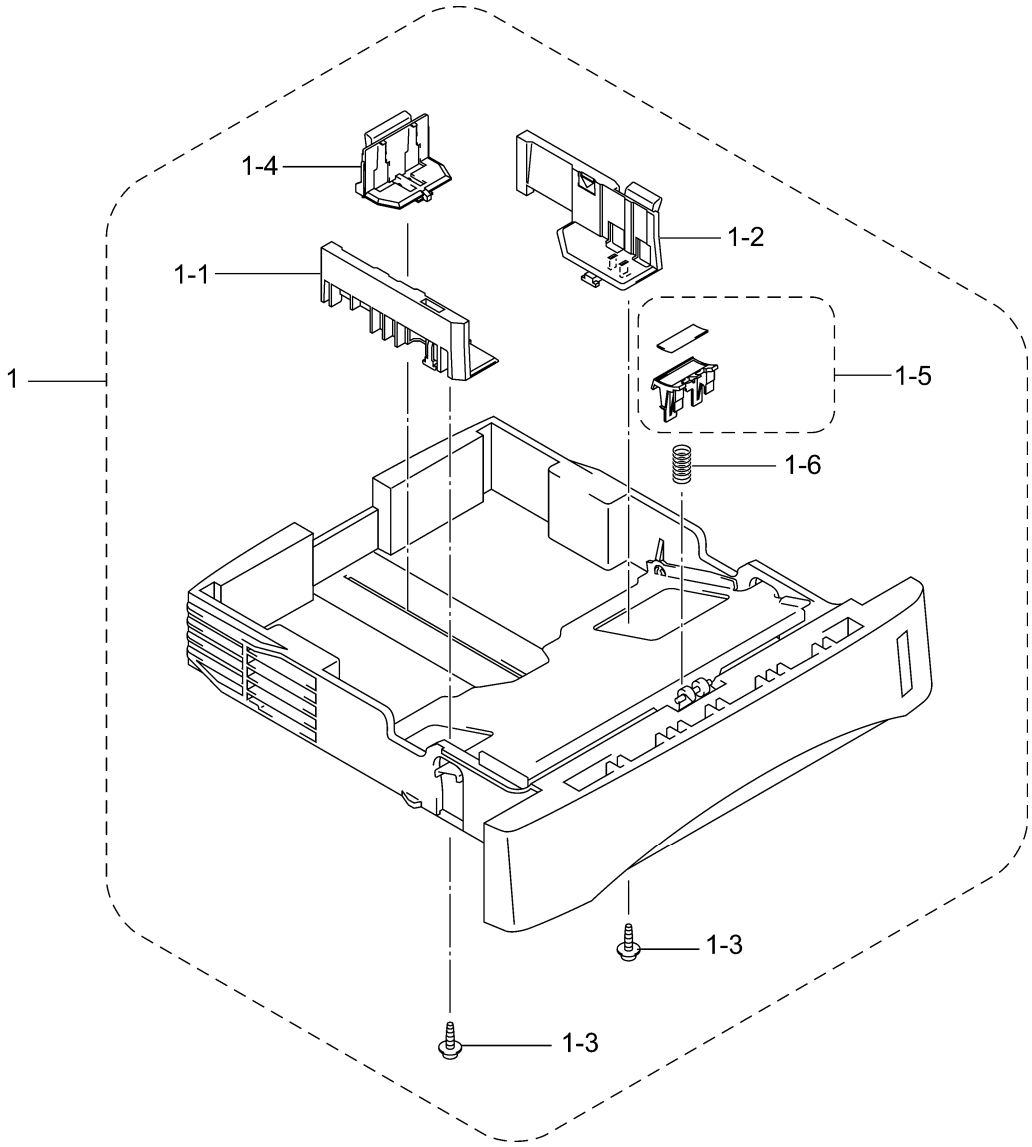
REF.No.	CODE	Q'TY	DESCRIPTION	REMARKS
1	LJ4157001	1	LASER UNIT (SP)	
2	087321615	3	TAPTITE, CUP S M3X16	



List4(PAPER TRANSPORT)

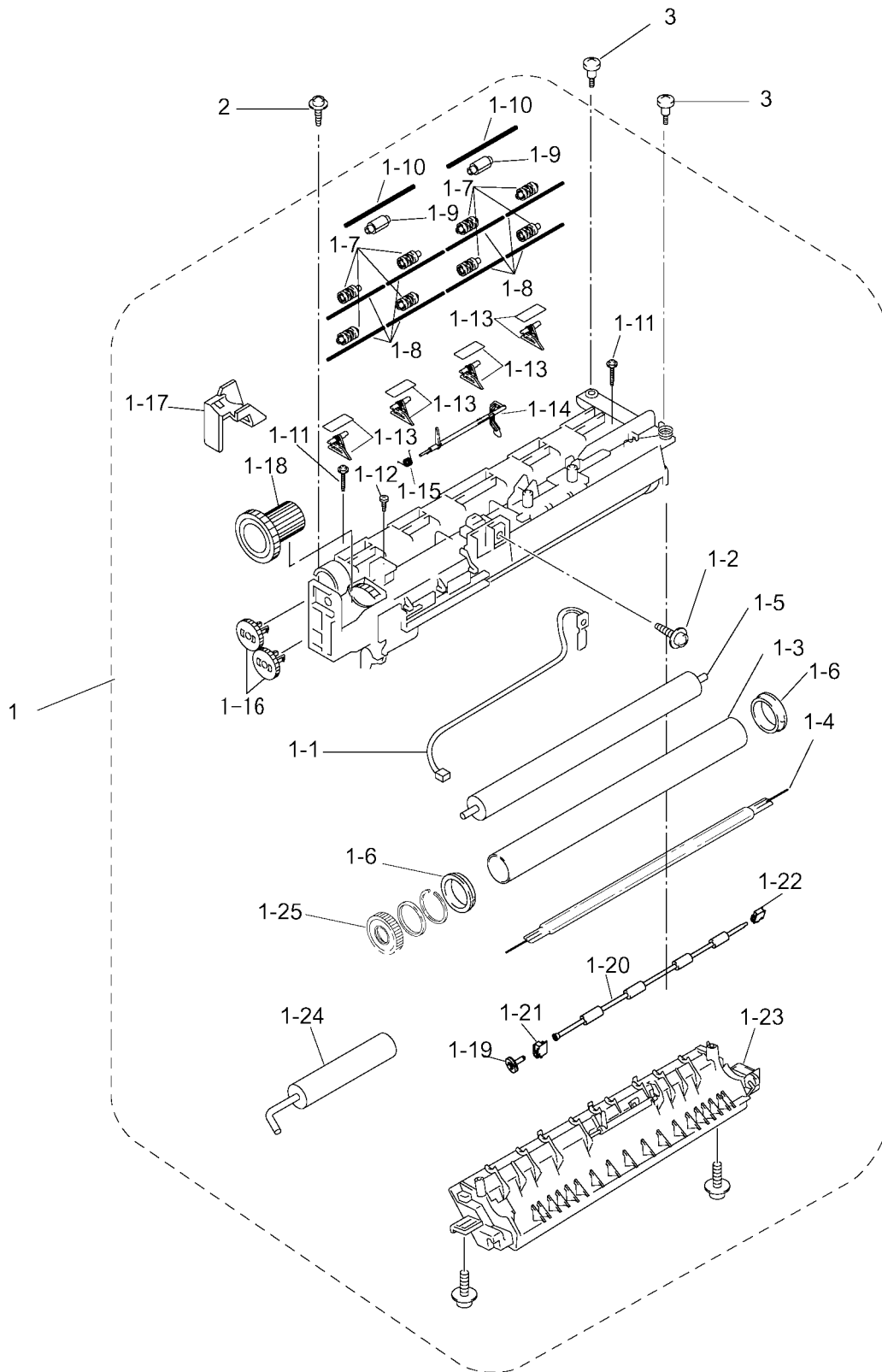
To replace part marked with an asterisk(*), you need to confirm if the PAPER CHUTE part is early type or later type. Please refer T/I No.FAX99448 for details.

REF.No.	CODE	Q'TY	DESCRIPTION	REMARKS
1	UL9059001	1	JOINT	
2	UL9060001	1	PAPER FEED ROLLER ASSY	
3	UL9062001	1	PAWLED BUSHING	
4	UL9066001	1	PAPER PICKUP ROLLER	
5	UL9062001	1	PAWLED BUSHING	
6	UL9069001	1	CONDUCTIVE BUSHING	
*7	UL9071001	1	ELECTRODE SPRING (FOR EARLY LOT)	
*7	LJ4499001	1	ELECTRODE SPRING (FOR LATER LOT)	
8	LJ4843001	1	OUTER CHUTE 1 (SP)	
9	LJ5591001	1	PICKUP ROLLER PLANETARY GEAR ASSY (SP)	
10	UL9070001	1	GEAR 21	
11	UL8985001	1	GEAR 59	
12	LJ5705001	1	GEAR 21 PRESSURE PLATE	
13	LJ5838001	1	FEED ROLLER PLANETARY GEAR ASSY (SP)	
14	UL9049001	1	MANUAL INSERTION SENSOR ACTUATOR	
15	UL9050001	1	REGISTRATION SENSOR ACTUATOR	
16	UL9051001	1	REGISTRATION SENSOR SPRING	
17	UU2042001	1	CASSETTE SENSOR ACTUATOR	
18	UL9053001	2	TRANSFER ARM	ADD
19	UL9052001	2	TRANSFER SPRING	ADD



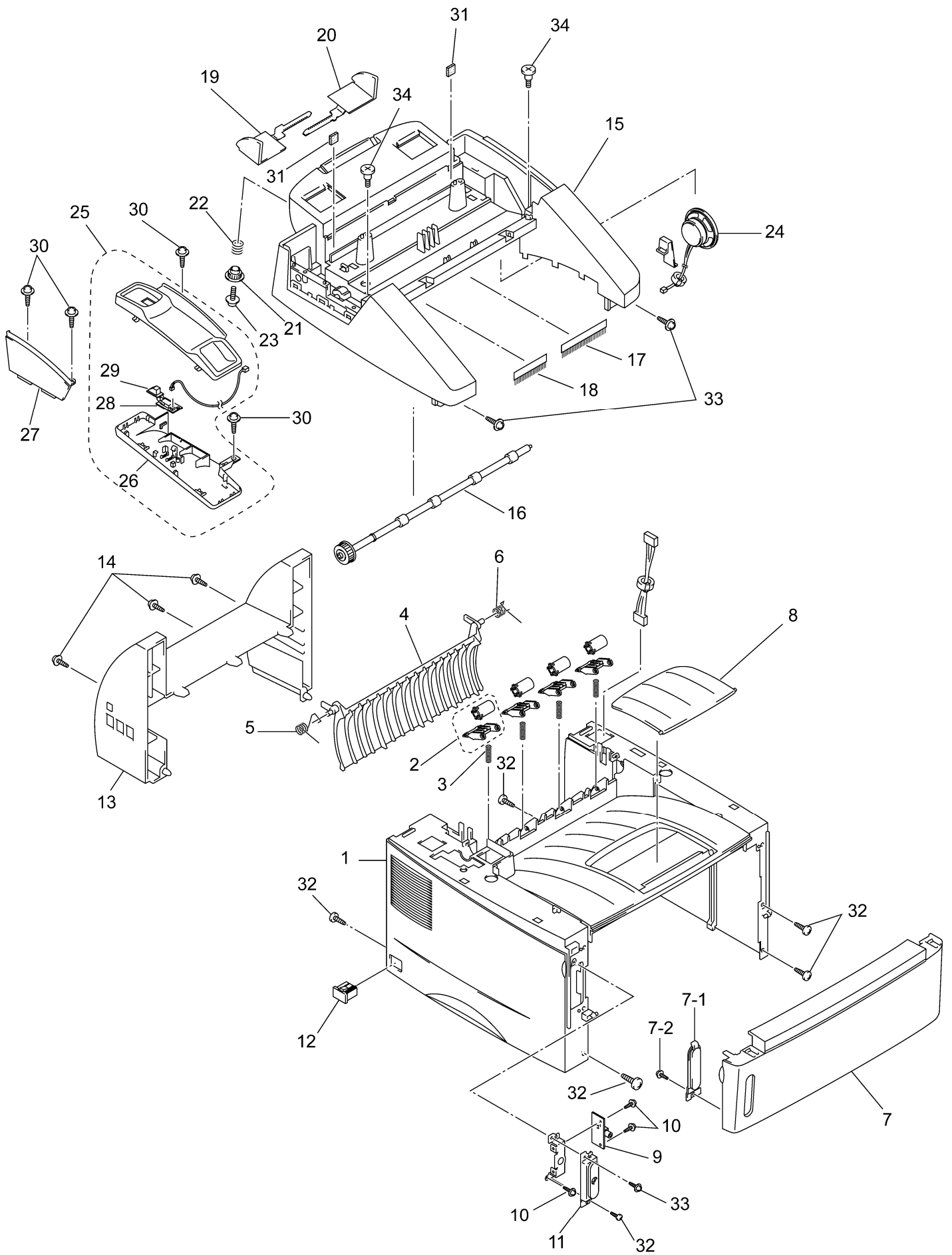
List5(PAPER TRAY)

REF.NO.	CODE	Q'TY	DESCRIPTION	REMARKS
1	LE1162001	1	PAPER TRAY ASSY, LEGAL (SP)	
1	LJ4181001	1	PAPER TRAY ASSY, A4 (SP)	
1-1	UL9078001	1	SIDE GUIDE L	
1-2	UL9079001	1	SIDE GUIDE R	
1-3	U73515001	2	SCREW, PAN CUP B M2.6X5	
1-4	UL9083001	1	PAPER REAR GUIDE	
1-5	UL9084001	1	SEPARATION PAD SUPPORT ASSY	
1-6	UL9090001	1	SEPARATION PAD SPRING	



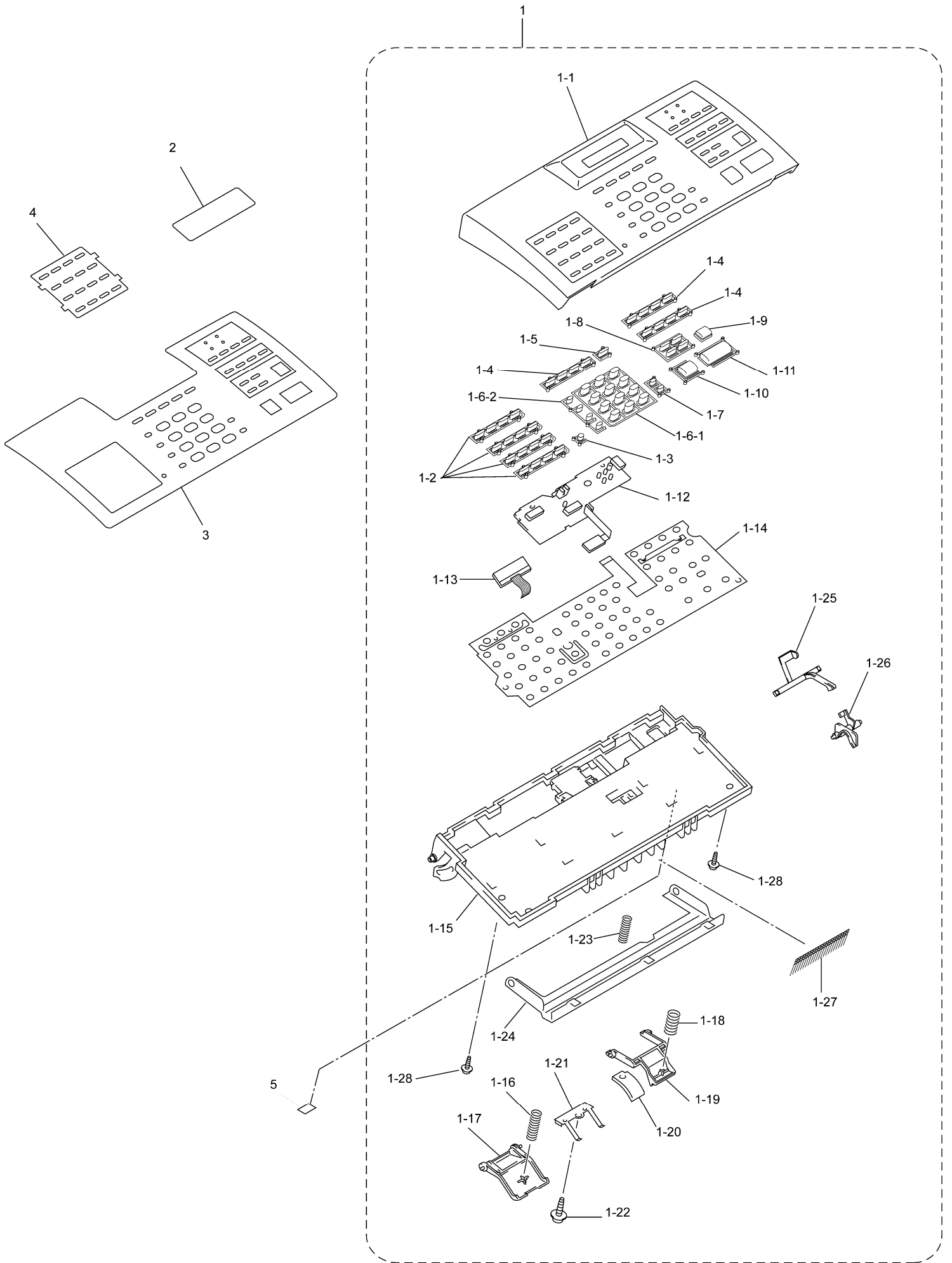
List6(HEAT FIXING UNIT)

REF.No.	CODE	Q'TY	DESCRIPTION	REMARKS
1	LJ7759001	1	HEAT FIXING UNIT, 115V FOR US/CAN (SP)	
1	LJ7760001	1	HEAT FIXING UNIT, 230V FOR ARL/NZ/ASA/GUL/KOR (SP)	
1-1	UL8902001	1	THERMISTOR ASSY	
1-2	087311215	1	TAPTITE, CUP B M3X12	
1-3	LJ4169001	1	HEAT ROLLER (SP)	
1-4	LJ4160001	1	FUSER LAMP, 115V FOR US/CAN (SP)	
1-4	LJ4163001	1	FUSER LAMP, 230V FOR ARL/NZ/ASA/GUL/KOR (SP)	
1-5	LJ4853001	1	PRESSURE ROLLER (SP)	
1-6	UL8908001	2	HR BEARING 25	
1-7	UL8929001	8	EJECT PINCH ROLLER	
1-8	LJ4431001	8	PINCH SPRING	
1-9	LJ4407001	2	CLEANER ROLLER ASSY	
1-10	LJ4409001	2	CLEANER SPRING	
1-11	087312015	2	TAPTITE, CUP B M3X20	
1-12	Z07200001	1	TAPTITE, PAN B M3X10	
1-13	LJ4845001	4	PICK OFF FINGER (SP)	
1-14	UL8920001	1	PAPER EJECT ACTUATOR	
1-15	UL8921001	1	EJECT ACTUATOR SPRING	
1-16	UL8914001	2	IDLE GEAR 13	
1-17	LJ5871001	1	IDLE GEAR HOLDER	
1-18	UL8923001	1	FU DRIVER GEAR	
1-19	LJ7256001	1	EJECT ROLLER SHAFT L	added
1-20	LJ7257001	1	EJECT ROLLER ASSY R	added
1-21	LJ7259001	1	EJECT ROLLER BEARING L	added
1-22	LJ7260001	1	EJECT ROLLER BEARING R	added
1-23	LJ7261001	1	FU FRAME LOWER 2	added
1-24	LJ7262001	1	EJECT ROLLER JAM REMOVE TOOL	added
1-25	UL8910001	1	HR GEAR 34	ADDED
2	087320815	1	TAPTITE, CUP S M3X8	
3	LJ4740001	2	SHOULDER SCREW	
3	087320815	2	TAPTITE, CUP S M3X8 FOR ARL/NZ/CHN/GUL	



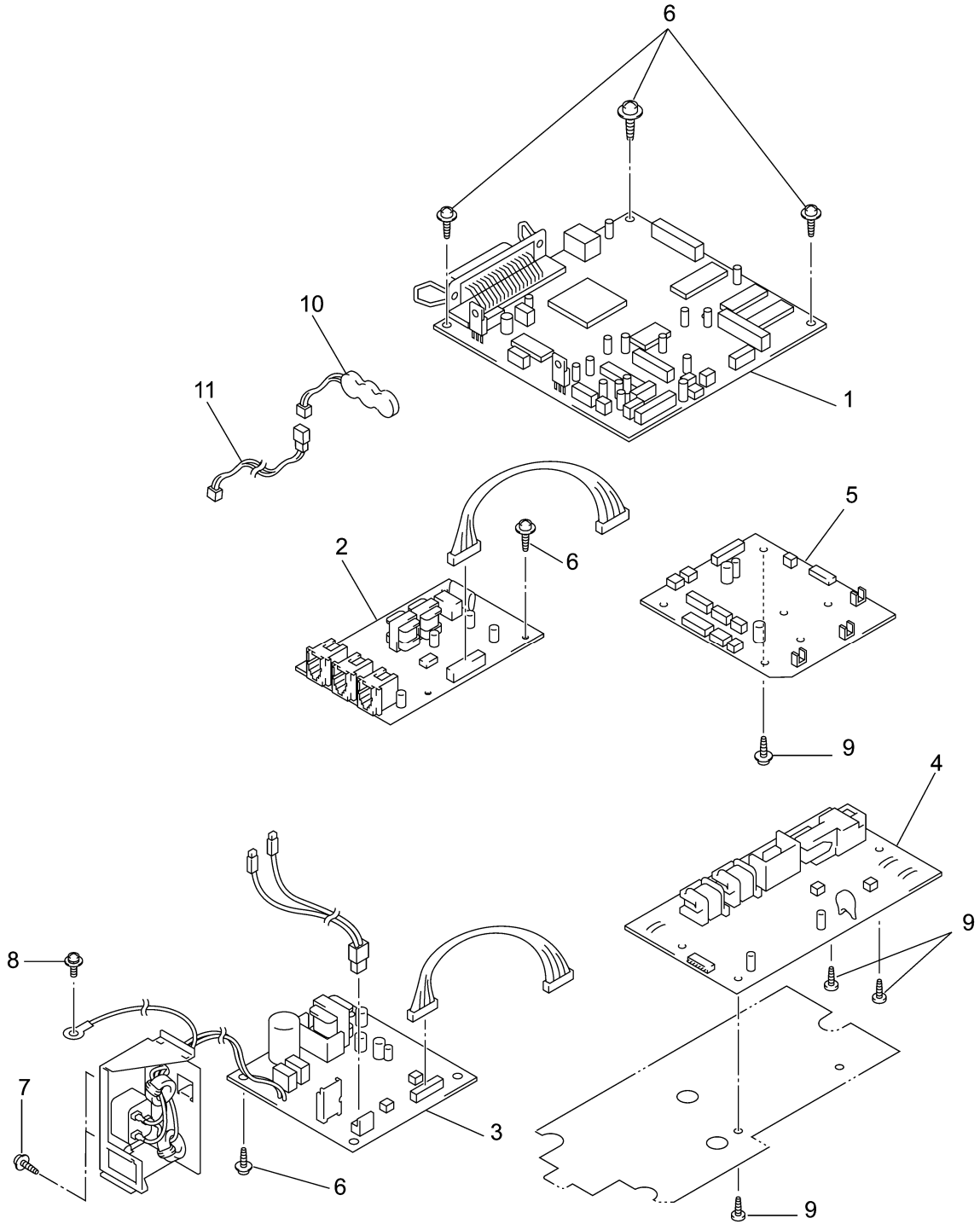
List7(COVER)

REF.NO.	CODE	Q'TY	DESCRIPTION	REMARKS
1	LE7282001	1	MAIN COVER ASSY, WHITE(1495), MFC8600/8700 FOR US/CAN	
1	LJ5753001	1	MAIN COVER ASSY, WHITE(1495), MFC8600 FOR ARL/NZ/ASA/GUL, FAX4750/FAX5750, MFC8300	
2	UL9122001	4	PINCH ROLLER ASSY	
3	UL9125001	4	PINCH ROLLER SPRING	
4	LJ5763001	1	OUTER CHUTE, WHITE(1495)	
5	UL9127001	1	CHUTE SPRING L	
6	UL9128001	1	CHUTE SPRING R	
7	UU2074001	1	FRONT COVER ASSY, WHITE(1495), MFC8600/MFC8700 FOR US/CAN	
7	UU2102001	1	FRONT COVER ASSY, WHITE(1495), MFC8600 FOR ARL/NZ/ASA/GUL, FAX4750/FAX5750, MFC8300	
7-1	UU2094001	1	FRONT SUB COVER, WHITE(1495), MFC8600 FOR ARL/NZ/ASA/GUL, FAX4750/FAX5750, MFC8300	
7-2	087310815	1	TAPTITE, CUP B M3X8, MFC8600 FOR ARL/NZ/ASA/GUL, FAX4750/FAX5750, MFC8300	
8	UL9140001	1	PAPER SUB TRAY, WHITE(1495)	
9	UG6219001	1	VIDEO CAPTURE PCB ASSY, MFC8600/MFC8700 FOR US/CAN	
10	087320616	3	TAPTITE, CUP S M3X6, MFC8600/MFC8700 FOR US/CAN	
11	UU2044001	1	VC COVER, WHITE(1495), MFC8600/MFC8700 FOR US/CAN	
12	UU2045001	1	SWITCH COVER	
13	UU2002001	1	REAR COVER, WHITE(1495)	
14	0A5401006	2	SCREW, PAN (S/P WASHER) M4X10, MFC8300	
14	0A5401006	3	SCREW, PAN (S/P WASHER) M4X10, FAX4750/FAX5750, MFC8600/MFC8700	
15	UU2003001	1	TOP COVER, WHITE(1495)	
16	UL9142001	1	EXIT ROLLER ASSY	
17	LJ4125001	1	ANTI-STATIC BRUSH (LONG)	
18	LE1242001	1	ANTI-STATIC BRUSH (SHORT)	
19	UF6114008	1	DOCUMENT GUIDE, L, WHITE(1495)	
20	UF6115008	1	DOCUMENT GUIDE, R, WHITE(1495)	
21	UF4417000	1	GUIDE GEAR	
22	UF4418001	1	SPRING, COMPRESSION	
23	UF5034001	1	TAPTITE, B 3X6	
24	LG2210001	1	SPEAKER UNIT	
25	UU2048001	1	HANDSET HOLDER ASSY, GRAY(1495), EXCEPT FOR FAX5750 FOR ARL	
26	UF8166008	4	LOWER-HANDSET HOLDER, GRAY(1495)	
27	LE1023001	1	SIDE COVER, FAX5750 FOR ARL	
28	UG5030004	4	HOOK SWITCH PCB ASSY	
29	UF8167008	4	ACTUATOR-HOOK, GRAY(1495)	
30	087311016	2	TAPTITE, CUP B M3X10	
31	LE1126001	2	HOOK RUBBER, EXCEPT FOR FAX5750 FOR ARL	
32	085320816	6	TAPTITE, BIND S M3X8	
33	087321015	3	TAPTITE, CUP S M3X10, MFC8600/MFC8700 FOR US/CAN	
33	087321015	2	TAPTITE, CUP S M3X10, MFC8600 FOR ARL/NZ/ASA/GUL, FAX4750/FAX5750, MFC8300	
34	UF9823001	2	SHOULDER SCREW	



List8(CONTROL PANEL)

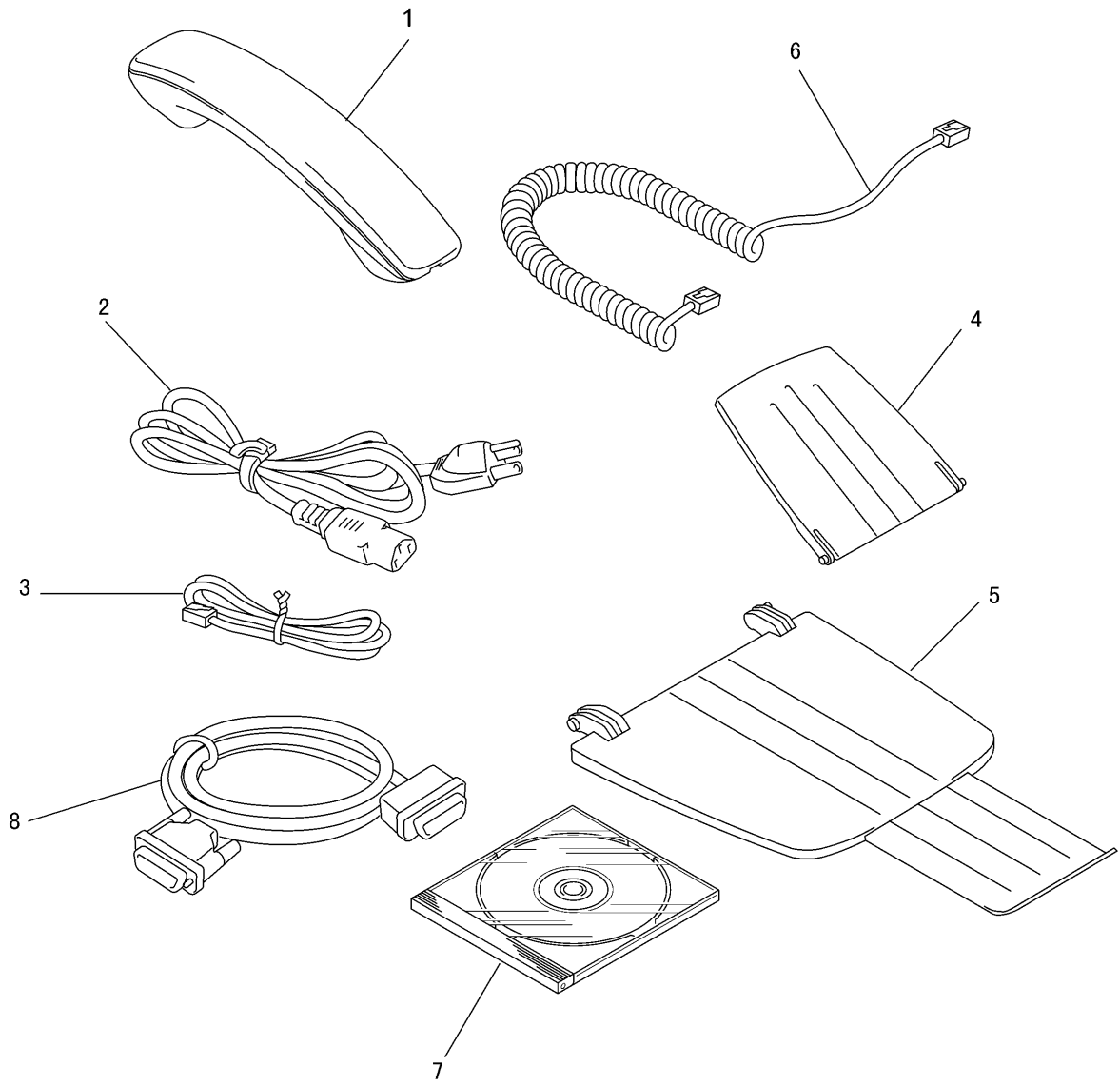
REF.NO.	CODE	Q'TY	DESCRIPTION	REMARKS
1	LE1250001	1	CONTROL PANEL ASSY, WHITE(1495), FAX4750, FAX5750 FOR US/CAN (SP)	
1	LE1158001	1	CONTROL PANEL ASSY, WHITE(1495), MFC8300/MFC8600/MFC8700, FAX5750 FOR ARL (SP)	
1-1	UU2004001	1	CONTROL PANEL, WHITE(1495)	
1-2	UF8176008	4	KEY, ONE TOUCH, WHITE(1495)	
1-3	UF4576008	1	KEY, SHIFT, WHITE(1495)	
1-4	UF9118006	2	KEY, FUNCTION4, WHITE(1495), FAX4750/FAX5750	
1-4	UF9118006	3	KEY, FUNCTION4, WHITE(1495), MFC8300/MFC8600/MFC8700	
1-5	UF5581010	1	KEY, FUNCTION1, WHITE(1495)	
1-6	UF4393007	1	KEY, TEN, WHITE(1495)	
1-7	UU7099008	1	KEY, VOLUME, WHITE(1495)	
1-8	UU7100008	1	KEY, COPY AREA, WHITE(1495)	
1-9	UF8174008	1	KEY, COPY, WHITE(1495)	
1-10	UF8173004	1	KEY, STOP, PINK(2205)	
1-11	UF8172006	1	KEY, START, PURPLE(6255)	
1-12	LG2212001	1	CONTROL PANEL PCB ASSY	
1-13	UG4552000	1	LCD	
1-14	LE1155001	1	FPC KEY (SP)	
1-15	UU2005001	1	PANEL REAR COVER	
1-16	UU2051001	1	DOCUMENT NIP SPRING	
1-17	UU2052001	1	DOCUMENT NIP PIECE	
1-18	UU2053001	1	ADF SPRING	
1-19	UU2054001	1	SPRING PLATE B	
1-20	UU2055001	1	SEPARATION RUBBER	
1-21	UU2056001	1	SPRING PLATE A	
1-22	UF5034001	1	TAPTITE, B 3X6	
1-23	UU2057001	1	DOCUMENT PRESSURE SPRING	
1-24	LE6342001	1	DOCUMENT PRESSURE BAR ASSY	
1-25	UU2061001	1	DOCUMENT FRONT SENSOR ACTUATOR	
1-26	UU2062001	1	DOCUMENT REAR SENSOR ACTUATOR	
1-27	LE1071001	1	ANTI-STATIC BRUSH	
1-28	087310815	2	TAPTITE, CUP B M3X8	
2	UU2063001	1	LCD SHEET, FAX4750, FAX5750/MFC8600 FOR ARL/NZ	
2	LE1319001	1	LCD SHEET, FAX5750 FOR US/CAN	
2	LE1002001	1	LCD SHEET, MFC8300	
2	UU2104001	1	LCD SHEET, MFC8600 FOR US/CAN/ASA/GUL	
2	LE1139001	1	LCD SHEET, MFC8700	
3	UU2106001	1	PANEL SHEET, FAX4750 FOR US/CAN/ASA/GUL	
3	LE1074001	1	PANEL SHEET, FAX4750 FOR ARL/NZ	
3	LE1725001	1	PANEL SHEET, FAX4750 FOR KOR	
3	LE1192001	1	PANEL SHEET, FAX5750 FOR US/CAN	
3	LE1579001	1	PANEL SHEET, FAX5750 FOR ARL	
3	UU2100001	1	PANEL SHEET, MFC8300 FOR US/CAN	
3	UU2065001	1	PANEL SHEET, MFC8600/8700 FOR US/CAN	
3	LE1085001	1	PANEL SHEET, MFC8600 FOR ARL/NZ	
3	LE1091001	1	PANEL SHEET, MFC8600 FOR ASA/GUL	
3	LE1440004	4	PANEL SHEET, MFC8700 FOR US/CAN	
4	UU2067001	1	ADDRESS LABEL	
5	LE1706001	2	HOLE SHIELD FILM	
(6)	LE1707001	1	ANTI-STATIC SUB BRUSH	



List9(PCB ASSY)

To replace part marked with an asterisk(*), you need to confirm if the PAPER CHUTE part is early type or later type. Please refer T/I No.FAX99448 for details.

REF.NO.	CODE	Q'TY	DESCRIPTION	REMARKS
1	LE1251001	1	MAIN PCB ASSY, FAX4750 FOR US/CAN/GUL (SP)	
1	LG2250001	1	MAIN PCB ASSY, FAX4750 FOR ARL/NZ/ASA/KOR	
1	LE1557001	1	MAIN PCB ASSY, FAX5750 FOR US/CAN (SP)	
1	LE1344001	1	MAIN PCB ASSY, FAX5750 FOR ARL (SP)	
1	LE1258001	1	MAIN PCB ASSY, MFC8300 FOR US/CAN, MFC8600 FOR GUL (SP)	
1	LE1157001	1	MAIN PCB ASSY, MFC8600 FOR US/CAN (SP)	
1	LG2251001	1	MAIN PCB ASSY, MFC8600 FOR ARL/NZ/ASA	
1	LG2192001	1	MAIN PCB ASSY, MFC8700 FOR US/CAN	
2	LE1159001	1	NCU PCB ASSY, FAX4750/MFC8300/MFC8600/MFC8700 FOR US/CAN/GUL (SP)	
2	LE1570001	1	NCU PCB ASSY, FAX5750 FOR US/CAN (SP)	
2	LE1262006	1	NCU PCB ASSY, FAX4750/MFC8600 FOR ARL (SP)	
2	LE1675056	1	NCU PCB ASSY, FAX5750 FOR ARL (SP)	
2	LE1262027	1	NCU PCB ASSY FOR NZ (SP)	
2	LE1263001	1	NCU PCB ASSY FOR ASA/KOR (SP)	
3	LG4015001	1	LOW VOLTAGE POWER SUPPLY PCB ASSY, 115V FOR US/CAN	
3	LG4016001	1	LOW VOLTAGE POWER SUPPLY PCB ASSY, 230V FOR ARL/NZ	
3	LG4023001	1	LOW VOLTAGE POWER SUPPLY PCB ASSY, 230V FOR ASA/GUL/KOR (SP)	
*4	LJ4176001	1	HIGH VOLTAGE POWER SUPPLY PCB ASSY (FOR EARLY LOT) (SP)	
*4	LJ8156001	1	HIGH VOLTAGE POWER SUPPLY PCB ASSY (FOR LATER LOT) (SP)	
*5	LE1163001	1	ENGINE PCB ASSY (FOR EARLY LOT) (SP)	
*5	LG2404001	1	ENGINE PCB ASSY (FOR LATER LOT)	
6	087320616	5	TAPTITE, CUP S M3X6	
7	084320815	1	SCREW, FLAT S M3X8	
8	0A5350606	1	SCREW, PAN (WASHER) M3.5X6	
9	085411215	4	SCREW, BIND B TITE M4X12	



List10(Accessories)

REF.NO.	CODE	Q'TY	DESCRIPTION	REMARKS
1	UF6857010	1	HANDSET, WHITE(1495) EXCEPT FOR FAX5750 FOR ARL	
2	UG6121001	1	AC CORD FOR US/CAN	
2	LG2162001	1	AC CORD FOR ARL/NZ	
2	LG2086001	1	AC CORD FOR ASA	
2	LG2085001	1	AC CORD FOR GUL/KOR	
3	LG3077001	1	TELEPHONE LINE CORD FOR US/CAN/ARL	
3	UG1570001	1	TELEPHONE LINE CORD FOR ASA/GUL/KOR	
3	UG3628001	1	TELEPHONE LINE CORD FOR ARL	
3	UG3290001	1	TELEPHONE LINE CORD FOR NZ	
4	UU2080001	1	DOCUMENT SUPPORT	
5	UU2069001	1	DOCUMENT TRAY	
6	UF7204008	1	HANDSET CURLED CORD EXCEPT FOR FAX5750 FOR ARL	
7	LE1060001	1	CD-ROM ASSY, MFC8300 FOR US/CAN	
7	UU2081001	1	CD-ROM ASSY, MFC8600/MFC8700 FOR US/CAN/ARL/NZ/ASA/GUL	
7	LE7150001	1	CD-ROM ASSY, MFC8600 FOR ARL/NZ/ASA	
7	LE1726001	1	CD-ROM ASSY, FAX4750 FOR KOR	
8	UG4558001	1	INTERFACE CABLE, MFC8300/MFC8600/MFC8700	
(9)	LG3509001	1	TELEPHONE PLUG FOR ARL	

List11(PRINTED MATERIAL)

REF.NO.	CODE	Q'TY	DESCRIPTION	REMARKS
(1)	UU2084001	1	OWNER'S MANUAL ASSY, FAX4750 FOR US (INCLUDING OPERATIONS MANUAL(1-1), QUICK REFERENCE GUIDE, WARRANTY CARD, TEST SHEET AND REORDER FORM)	
(1)	LE1443001	1	OWNER'S MANUAL ASSY, FAX5750 FOR US (INCLUDING OPERATIONS MANUAL(1-1), QUICK REFERENCE GUIDE, WARRANTY CARD, TEST SHEET, REORDER FORM AND SET GUIDE)	
(1)	UU2114001	1	OWNER'S MANUAL ASSY, MFC8300 FOR US (INCLUDING OPERATIONS MANUAL(1-1), QUICK REFERENCE GUIDE, LICENSE GUIDE, WARRANTY CARD, TEST SHEET AND REORDER FORM)	
(1)	LE1386001	1	OWNER'S MANUAL ASSY, MFC8600 FOR US (INCLUDING OPERATIONS MANUAL(1-1), MFL MANUAL(1-2), QUICK REFERENCE GUIDE, LICENSE GUIDE, WARRANTY CARD, TEST SHEET AND REORDER FORM)	
(1)	UU2085001	1	OWNER'S MANUAL ASSY, MFC8700 FOR US (INCLUDING OPERATIONS MANUAL(1-1), MFL MANUAL(1-2), QUICK REFERENCE GUIDE, LICENSE GUIDE, WARRANTY CARD, TEST SHEET AND REORDER FORM)	
(1)	LE1246001	1	OWNER'S MANUAL ASSY, FAX4750 FOR CAN (INCLUDING OPERATIONS MANUALS(1-1), QUICK REFERENCE GUIDES, WARRANTY CARD, PANEL STICKER, REORDER FORM AND SET GUIDE)	
(1)	LE1410001	1	OWNER'S MANUAL ASSY, FAX5750 FOR CAN (INCLUDING 2 OPERATIONS MANUALS(1-1), 2 QUICK REFERENCE GUIDE, WARRANTY CARD, PANEL STICKER AND REORDER FORM, SET GUIDE)	
(1)	LE1175001	1	OWNER'S MANUAL ASSY, MFC8300 FOR CAN (INCLUDING OPERATIONS MANUALS(1-1), QUICK REFERENCE GUIDE, LICENSE GUIDE, WARRANTY CARD, PANEL STICKER AND REORDER FORM)	
(1)	LE1187001	1	OWNER'S MANUAL ASSY, MFC8600 FOR CAN (INCLUDING OPERATIONS MANUALS(1-1), MFL MANUALS(1-2), QUICK REFERENCE GUIDE, LICENSE GUIDE, WARRANTY CARD, PANEL STICKER AND REORDER FORM)	
(1)	LE1379001	1	OWNER'S MANUAL ASSY, MFC8700 FOR CAN (INCLUDING OPERATIONS MANUALS(1-1), MFL MANUALS(1-2), QUICK REFERENCE GUIDE, LICENSE GUIDE, WARRANTY CARD, PANEL STICKER AND REORDER FORM)	
(1)	LE1075001	1	OWNER'S MANUAL ASSY, FAX4750 FOR ARL (INCLUDING OPERATIONS MANUAL(1-1))	
(1)	LE1581001	1	OWNER'S MANUAL ASSY, FAX5750 FOR ARL (INCLUDING OPERATIONS MANUAL(1-1) AND SETUP GUIDE)	
(1)	LE1086001	1	OWNER'S MANUAL ASSY, MFC8600 FOR ARL (INCLUDING OPERATIONS MANUAL(1-1), MFL MANUAL(1-2) AND LICENSE GUIDE)	
(1)	LE1078001	1	OWNER'S MANUAL ASSY, FAX4750 FOR NZ (INCLUDING OPERATIONS MANUAL(1-1) AND WARRANTY CARD)	
(1)	LE1089001	1	OWNER'S MANUAL ASSY, MFC8600 FOR NZ (INCLUDING OPERATIONS MANUAL(1-1), MFL MANUAL(1-2), LICENSE GUIDE AND WARRANTY CARD)	
(4)	LE1096004	4	OWNER'S MANUAL ASSY, FAX4750 FOR ASA (INCLUDING OPERATIONS MANUAL(1-1))	
(4)	LE1094004	4	OWNER'S MANUAL ASSY, MFC8600 FOR ASA (INCLUDING OPERATIONS MANUAL(1-1), MFL MANUAL(1-2) AND LICENSE GUIDE)	
(1)	LE1081001	1	OWNER'S MANUAL ASSY, FAX4750 FOR ASA/GUL (INCLUDING OPERATIONS MANUAL(1-1) AND QUICK REFERENCE GUIDE)	
(1)	LE1092001	1	OWNER'S MANUAL ASSY, MFC8600 FOR ASA/GUL (INCLUDING OPERATIONS MANUAL(1-1), MFL MANUAL(1-2), QUICK REFERENCE GUIDE AND LICENSE GUIDE)	
(1-1)	UU2086001	1	OPERATIONS MANUAL, FAX4750/FAX5750/MFC8300/MFC8600/MFC8700 FOR US	

List11(PRINTED MATERIAL)

REF.NO.	CODE	Q'TY	DESCRIPTION	REMARKS
(1-1)	LE1238001	1	OPERATIONS MANUAL, FAX4750/FAX5750/MFC8300/MFC8600/MFC8700 FOR CAN<ENGLISH>	
(1-1)	LE1176001	1	OPERATIONS MANUAL, FAX4750/FAX5750/MFC8300/MFC8600/MFC8700 FOR CAN<FRENCH>	
(1-1)	UU2086006	1	OPERATIONS MANUAL, FAX4750/FAX5750/MFC8600 FOR ARL	
(1-1)	UU2086027	1	OPERATIONS MANUAL, FAX4750/MFC8600 FOR NZ	
(1-1)	UU2086041	1	OPERATIONS MANUAL, FAX4750/MFC8600 FOR ASA/GUL	
(1-2)	UU2103001	1	MFL MANUAL, MFC8600/MFC8700 FOR US/CAN<ENGLISH>	
(1-2)	LE1268001	1	MFL MANUAL, MFC8600/MFC8700 FOR CAN<FRENCH>	
(1-2)	LE1087001	1	MFL MANUAL, MFC8600/MFC8700 FOR ARL/NZ/ASA/GUL	

List12(CARTON)

REF.NO.	CODE	Q'TY	DESCRIPTION	REMARKS
(1)	UE3126001	1	CARTON, BROTHER FAX4750 FOR US	
(1)	LE1193001	1	CARTON, BROTHER FAX5750 FOR US	
(1)	UE3125001	1	CARTON, BROTHER MFC8300 FOR US	
(1)	UE3118001	1	CARTON, BROTHER MFC8600 FOR US	
(1)	LE1141001	1	CARTON, BROTHER MFC8700 FOR US	
(1)	LE1247001	1	CARTON, BROTHER FAX4750 FOR CAN	
(1)	LE1374001	1	CARTON, BROTHER FAX5750 FOR CAN	
(1)	LE1188001	1	CARTON, BROTHER MFC8600 FOR CAN	
(1)	LE1377001	1	CARTON, BROTHER MFC8700 FOR CAN	
(1)	LE1076001	4	CARTON, BROTHER FAX4750 FOR ARL/NZ	
(1)	LE1088001	4	CARTON, BROTHER MFC8600 FOR ARL/NZ	
(1)	LE1083001	1	CARTON, BROTHER FAX4750 FOR ARL/NZ/ASA/GUL/KOR	
(1)	LE1638001	1	CARTON, BROTHER FAX5750 FOR ARL	
(1)	LE1093001	1	CARTON, BROTHER MFC8600 FOR ARL/NZ/ASA/GUL	
(2)	UE3119001	1	STYROFOAM ASSY	
(3)	UE1688001	1	POLY-ETHYLENE BAG FOR MACHINE, 1000X1000	
(4)	UE3122001	1	CARTON FOR MANUAL	
(5)	UU0456001	1	PROTECTION PAPER	
(6)	LJ4546001	1	BAG FOR DRUM/TONER, 400X480	
(7)	LE1165001	1	INNER CARTON FOR MACHINE, FAX5750/MFC8700	
(8)	LL0018001	1	INNER CARTON FOR 2ND CASSETTE, FAX5750/MFC8700	

brother®