



**FACSIMILE EQUIPMENT
PARTS REFERENCE LIST**

**MODEL: FAX-910/920/921/930/931/940
MFC-925**

**(For Germany / United Kingdom / France /
Australia / Norway / Belgium / Netherlands /
Switzerland / Ireland / Finland / Denmark /
Austria / Spain / Italy / Israel / Sweden /
New Zealand / Czechoslovakia / Euro Generic)**

MFC-970MC
(For Australia / New Zealand)

© Copyright Brother 1998

All rights reserved

No part of this publication may be reproduced in any form or by any means without permission in writing from the publisher.

Specifications are subject to change without prior notice.

NOTES FOR USING THIS PARTS REFERENCE LIST

1. In the case of ordering parts, it needs mentioning the following items:

- (1) Code
- (2) Q' ty
- (3) Description

Note: No orders without Parts Code or Tool No. can be accepted.

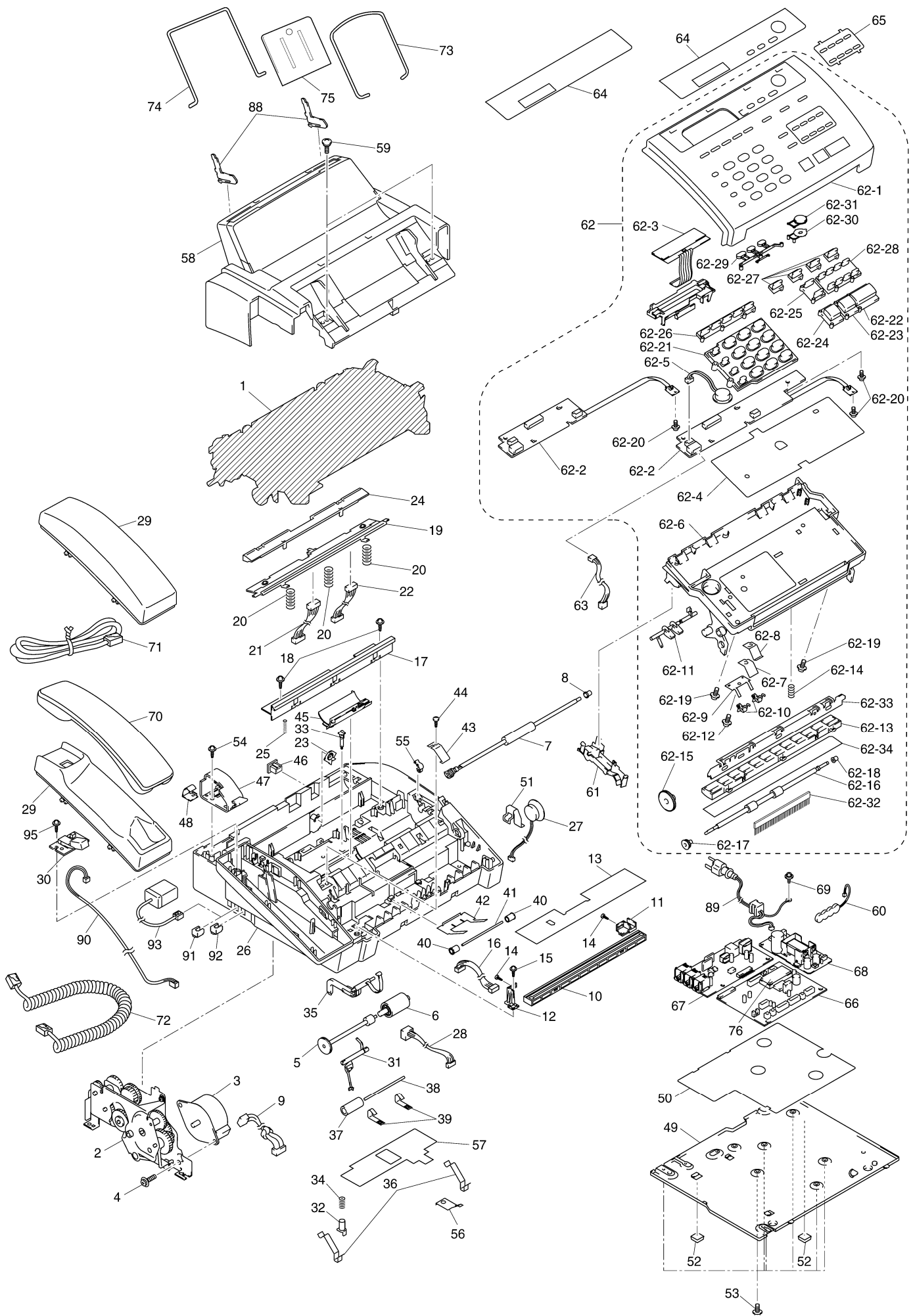
[Example]

REF.NO.	CODE	Q' TY	DESCRIPTION	REMARKS

2. Parts change will be informed by the technical information.

COUNTRIES

GERMANY ----- GER
UNITED KINGDOM ----- UK
FRANCE ----- FRA
ARL ----- AUSTRALIA
NORWAY ----- NOR
BELGIUM ----- BEL
NETHERLANDS ----- NLD
SWITZERLAND ----- CHE
IRELAND ----- IRE
FINLAND ----- FIN
DENMARK ----- DEN
AUSTRIA ----- AUS
SPAIN ----- SPA
ITALY ----- ITA
ISRAEL ----- ISR
SWEDEN ----- SWE
NEW ZEALAND ----- NZ
CZECHOSLOVAKIA ----- CZE
EURO GENERIC ----- GNR



REF.NO.	CODE	Q'TY	DESCRIPTION	REMARKS
1			PLATEN FRAME ATTACHMENT	
2	UF9650001	1	DRIVE UNIT	
3	Z25947001	1	MOTOR	
4	U09759001	1	SCREW, PAN (WASHER) M3X6 DB	
5	UF9693001	1	SEPARATION ROLLER GEAR	
6	UF6613001	1	SEPARATION ROLLER	
7	UU0244001	1	LF ROLLER ASSY	
8	UF9949001	1	BEARING, EJECTION ROLLER	
9	UG6602001	1	MOTOR HARNESS	
10	UG6683001	1	CIS UNIT	
11	UF9814001	1	CIS HOLDER, R	
12	UF9815001	1	CIS HOLDER, L	
13	UF9816001	1	CIS FILM	
14	085310815	2	TAPTITE, BIND B M3X8	
15	UU0231001	1	TAPTITE, PAN B M3X8	
16	UG5013001	1	CIS-MAIN HARNESS	
17	LE0830001	1	RECORDER FRAME	
18	087310815	2	TAPTITE, CUP B M3X8	
19	UF9852001	1	RECORDING HEAD ASSY	
20	UF8072001	3	HEAD SPRING, COMPRESSION	
21	UG6606001	1	MAIN-HEAD HARNESS FOR FAX-910/920/921/MFC-925	
21	UG6707001	1	MAIN-HEAD HARNESS FOR FAX-930/931/940/MFC-970MC	
22	UG6607001	1	HEAD-POWER HARNESS	
23	UF9855001	1	HEAD ADJUSTER	
24	UF9856001	1	HEAD PROTECTOR	
25	UF9857001	1	GROUNDING SPRING	
26	UF9800001	1	MAIN FRAME, GRAY(1395), FAX-910/920/930/940 FOR GER/UK/FRA/NOR/CHE/IRE/FIN/DEN/AUS/ISR/SWE/CZE/GNR	
26	UF9800002	1	MAIN FRAME, WHITE(1397), FAX-920/FAX-930 FOR ARL/NZ	
26	UF9800003	1	MAIN FRAME, WHITE(1138), FAX-920 FOR UK, FAX-921/FAX-931/MFC-925/MFC-970MC	
27	UG6670001	1	SPEAKER	
28	UG6698001	1	PC I/F MODULAR HARNESS	
29	UF9801001	1	HANDSET MOUNT, GRAY(1395), FAX-920/930/940 FOR GER/UK/FRA/NOR/CHE/IRE/FIN/DEN/AUS/ISR/SWE/CZE/GNR	
29	UF9801002	1	HANDSET MOUNT, WHITE(1397), MFC-920/930 FOR ARL/NZ	
29	UF9801003	1	HANDSET MOUNT, WHITE(1138), FAX-921/931/MFC-925/970MC, FAX-920 FOR UK	
29	UF9983001	1	DUMMY MOUNT, GRAY(1395) FOR FAX-910	
30	UG6615001	1	HOOK SWITCH PCB FOR FAX-920/921/930/931/940 /MFC-925/970MC	
31	UF9802001	1	DOCUMENT REAR SENSOR ACTUATOR	
32	UF9803001	1	COVER SENSOR ACTUATOR A	
33	UF9817001	1	COVER SENSOR ACTUATOR B	
34	UF9818001	1	COVER SENSOR ACTUATOR SPRING	
35	UF9804001	1	RIBBON SENSOR ACTUATOR	
36	UF9806001	2	PANEL-LOCK LEAF SPRING	
37	UU0021001	1	PINCH ROLLER	
38	UF6267000	1	ROLLER SHAFT	
39	UF9807001	2	PINCH ROLLER SPRING	
40	UL6244002	2	DOCUMENT PRESSURE ROLLER	
41	UF6267000	1	ROLLER SHAFT	
42	UF9808001	1	DOCUMENT PRESSURE ROLLER SPRING	
43	UU0074001	1	LF LEAF SPRING	

FAX-910,FAX-920,FAX-921,FAX-930,FAX-931,FAX-940,MFC-925,MFC-970MC/Ver.P

REF.NO.	CODE	Q'TY	DESCRIPTION	REMARKS
44	085310815	1	TAPTITE, BIND B M3X8	
45	UF9809004	1	ROM COVER, GRAY(1267)	
46	UF4759000	1	PC I/F COVER, NATURAL, FAX-921/931, FAX-920(WHITE) FOR UK, FAX-920/930 FOR ARL/NZ	
46	UF4759002	1	PC I/F COVER, BLACK, FAX-910/920/930/940 FOR GER/UK/FRA/NOR/CHE/IRE/FIN/DEN/AUS/ISR/SWE/CZE/GNR	
47	UF9810001	1	COVER STOPPER	
48	UF9875004	4	COVER STOPPER SPRING PLATE	<Eliminated>
49	UF9822001	1	BOTTOM PLATE	
50	UF9846001	1	INSULATION SHEET	
51	UF9847001	1	SPEAKER SUPPORT SPRING	
52	UF6761001	2	RUBBER FOOT	
53	087310815	7	TAPTITE, CUP B M3X8	
54	087310815	1	TAPTITE, CUP B M3X8	
55	UF9812001	1	RIBBON SHAFT STOPPER	
56	UF9819001	1	RIBBON SHAFT STOPPER SPRING	
57	UF9824001	1	HARNESS GUIDE FILM	
58	UF9848001	1	RECORDING PAPER COVER ASSY, GRAY(1395), FAX-910/920/930/940 FOR GER/UK/FRA/NOR/CHE/IRE/FIN/DEN/AUS/ISR/SWE/CZE/GNR	
58	UF9848002	1	RECORDING PAPER COVER ASSY, WHITE(1397), FAX-920/930 FOR ARL/NZ	
58	UF9848003	1	RECORDING PAPER COVER ASSY, WHITE(1138), FAX-920 FOR UK, FAX-921/931/MFC-925/970MC	
59	UF9823001	2	SHOULDER SCREW	
60	UG3732001	1	BATTERY ASSY FOR FAX-930/931/940/MFC-970MC	
61	UF9963001	1	HARNESS HOLDER	
62	UF9884001	1	CONTROL PANEL ASSY, GRAY(1395), FAX-910 FOR GER	
62	UU0627001	1	CONTROL PANEL ASSY, GRAY(1395), FAX-910 FOR CHE	
62	UF9914001	1	CONTROL PANEL ASSY, GRAY(1395), FAX-920 FOR GER/AUS	
62	UF9915001	1	CONTROL PANEL ASSY, GRAY(1395), FAX-920 FOR UK/CHE/IRE/ISR/CZE/GNR	
62	LE0296003	4	CONTROL PANEL ASSY, WHITE(1138), FAX-920 FOR UK	
62	UF9916001	1	CONTROL PANEL ASSY, GRAY(1395), FAX-920 FOR FRA	
62	UF9917001	1	CONTROL PANEL ASSY, GRAY(1395), FAX-920 FOR NOR	
62	UF9921001	1	CONTROL PANEL ASSY, GRAY(1395), FAX-920 FOR FIN	
62	UF9922001	1	CONTROL PANEL ASSY, GRAY(1395), FAX-920 FOR DEN	
62	UF9925001	1	CONTROL PANEL ASSY, GRAY(1395), FAX-920 FOR SWE	
62	UU0234002	1	CONTROL PANEL ASSY, WHITE(1397), FAX-920 FOR ARL/NZ	
62	UF9918003	1	CONTROL PANEL ASSY, WHITE(1138), FAX-921 FOR BEL	
62	UF9919003	1	CONTROL PANEL ASSY, WHITE(1138), FAX-921 FOR NLD	
62	UF9923003	1	CONTROL PANEL ASSY, WHITE(1138), FAX-921 FOR SPA	
62	UF9924003	1	CONTROL PANEL ASSY, WHITE(1138), FAX-921 FOR ITA	
62	UU0140003	1	CONTROL PANEL ASSY, WHITE(1138), MFC-925 FOR GER	
62	UU0121003	1	CONTROL PANEL ASSY, WHITE(1138), FAX-920 FOR UK, MFC-925 FOR UK/CHE	
62	UU0122003	1	CONTROL PANEL ASSY, WHITE(1138), MFC-925 FOR FRA	
62	UU0123003	1	CONTROL PANEL ASSY, WHITE(1138), MFC-925 FOR NOR	
62	UU0124003	1	CONTROL PANEL ASSY, WHITE(1138), MFC-925 FOR BEL	
62	UU0125003	1	CONTROL PANEL ASSY, WHITE(1138), MFC-925 FOR NLD	
62	UU0126003	1	CONTROL PANEL ASSY, WHITE(1138), MFC-925 FOR DEN	
62	UU0127003	1	CONTROL PANEL ASSY, WHITE(1138), MFC-925 FOR SWE	
62	UU0159001	1	CONTROL PANEL ASSY, GRAY(1395), FAX-930 FOR GER/AUS	
62	UU0160001	1	CONTROL PANEL ASSY, GRAY(1395),	

REF.NO.	CODE	Q'TY	DESCRIPTION	REMARKS
			FAX-930 FOR UK/CHE/IRE/CZE/GNR	
62	UU0161001	1	CONTROL PANEL ASSY, GRAY(1395), FAX-930 FOR FRA	
62	UU0162001	1	CONTROL PANEL ASSY, GRAY(1395), FAX-930 FOR NOR	
62	LE0388001	1	CONTROL PANEL ASSY, GRAY(1395), FAX-930 FOR FIN	
62	LE0390001	1	CONTROL PANEL ASSY, GRAY(1395), FAX-930 FOR DEN	
62	UU0167001	1	CONTROL PANEL ASSY, GRAY(1395), FAX-930 FOR SWE	
62	UU0250002	1	CONTROL PANEL ASSY, WHITE(1397), FAX-930 FOR ARL/NZ	
62	UU0163003	1	CONTROL PANEL ASSY, WHITE(1138), FAX-931 FOR BEL	
62	UU0164003	1	CONTROL PANEL ASSY, WHITE(1138), FAX-931 FOR NLD	
62	UU0165003	1	CONTROL PANEL ASSY, WHITE(1138), FAX-931 FOR SPA	
62	UU0166003	1	CONTROL PANEL ASSY, WHITE(1138), FAX-931 FOR ITA	
62	UU0313003	1	CONTROL PANEL ASSY, WHITE(1138), MFC-970MC FOR ARL/NZ	
62	LE0720001	1	CONTROL PANEL ASSY, GRAY(1395), FAX-940 FOR GER	
62	LE0730001	1	CONTROL PANEL ASSY, GRAY(1395), FAX-940 FOR UK/CHE	
62	LE0736001	1	CONTROL PANEL ASSY, GRAY(1395), FAX-940 FOR FRA	
62-1	UU0446003	1	CONTROL PANEL, GRAY(1395), FAX910	
62-1	UU0447003	1	CONTROL PANEL, GRAY(1395), FAX-920 FOR GER/AUS	
62-1	UU0447004	1	CONTROL PANEL, GRAY(1395), FAX-920	
			FOR UK/CHE/IRE/ISR/CZE/GNR	
62-1	UU0449004	1	CONTROL PANEL, WHITE(1138), FAX-920 FOR UK	<Eliminated>
62-1	UU0447005	1	CONTROL PANEL, GRAY(1395), FAX-920 FOR FRA	
62-1	UU0447007	1	CONTROL PANEL, GRAY(1395), FAX-920 FOR NOR	
62-1	UU0447012	1	CONTROL PANEL, GRAY(1395), FAX-920 FOR FIN	
62-1	UU0447013	1	CONTROL PANEL, GRAY(1395), FAX-920 FOR DEN	
62-1	UU0447026	1	CONTROL PANEL, GRAY(1395), FAX-920 FOR SWE	
62-1	UU0448006	1	CONTROL PANEL, WHITE(1397), FAX-920 FOR ARL/NZ	
62-1	UU0449008	1	CONTROL PANEL, WHITE(1138), FAX-921 FOR BEL	
62-1	UU0449009	1	CONTROL PANEL, WHITE(1138), FAX-921 FOR NLD	
62-1	UU0449015	1	CONTROL PANEL, WHITE(1138), FAX-921 FOR SPA	
62-1	UU0449016	1	CONTROL PANEL, WHITE(1138), FAX-921 FOR ITA	
62-1	UU0450003	1	CONTROL PANEL, WHITE(1138), MFC-925 FOR GER	
62-1	UU0450004	1	CONTROL PANEL, WHITE(1138), FAX-920 FOR UK, MFC-925 FOR UK/CHE	
62-1	UU0450005	1	CONTROL PANEL, WHITE(1138), MFC-925 FOR FRA	
62-1	UU0450007	1	CONTROL PANEL, WHITE(1138), MFC-925 FOR NOR	
62-1	UU0450008	1	CONTROL PANEL, WHITE(1138), MFC-925 FOR BEL	
62-1	UU0450009	1	CONTROL PANEL, WHITE(1138), MFC-925 FOR NLD	
62-1	UU0450013	1	CONTROL PANEL, WHITE(1138), MFC-925 FOR DEN	
62-1	UU0450026	1	CONTROL PANEL, WHITE(1138), MFC-925 FOR SWE	
62-1	UU0451003	1	CONTROL PANEL, GRAY(1395), FAX-930 FOR GER/AUS	
62-1	UU0451004	1	CONTROL PANEL, GRAY(1395), FAX-930	
			FOR UK/CHE/IRE/GNR	
62-1	UU0451005	1	CONTROL PANEL, GRAY(1395), FAX-930 FOR FRA	
62-1	UU0451007	1	CONTROL PANEL, GRAY(1395), FAX-930 FOR NOR	
62-1	UU0451012	1	CONTROL PANEL, GRAY(1395), FAX-930 FOR FIN	
62-1	UU0451013	1	CONTROL PANEL, GRAY(1395), FAX-930 FOR DEN	
62-1	UU0451026	1	CONTROL PANEL, GRAY(1395), FAX-930 FOR SWE	
62-1	UU0452006	1	CONTROL PANEL, WHITE(1397), FAX-930 FOR ARL/NZ	
62-1	UU0453008	1	CONTROL PANEL, WHITE(1138), FAX-931 FOR BEL	
62-1	UU0453009	1	CONTROL PANEL, WHITE(1138), FAX-931 FOR NLD	
62-1	UU0453015	1	CONTROL PANEL, WHITE(1138), FAX-931 FOR SPA	
62-1	UU0453016	1	CONTROL PANEL, WHITE(1138), FAX-931 FOR ITA	
62-1	LE0741003	1	CONTROL PANEL, GRAY(1395), FAX-940 FOR GER	
62-1	LE0741004	1	CONTROL PANEL, GRAY(1395), FAX-940 FOR UK/CHE	

FAX-910,FAX-920,FAX-921,FAX-930,FAX-931,FAX-940,MFC-925,MFC-970MC/Ver.P

REF.NO.	CODE	Q'TY	DESCRIPTION	REMARKS
62-1	LE0741005	1	CONTROL PANEL, GRAY(1395), FAX-940 FOR FRA	
62-1	UU0454006	1	CONTROL PANEL, WHITE(1138), MFC-970MC FOR ARL/NZ	
62-2	UG6619001	1	PANEL PCB ASSY FOR FAX-910/920/921/MFC-925	
62-2	UG6643001	1	PANEL PCB ASSY FOR FAX-930/931/940/MFC-970MC	
62-3	LG2351001	1	LCD	
62-4	UG6624001	1	FPC KEY	
62-5	UG6703001	1	MICROPHONE FOR FAX-930/931/MFC-970MC	
62-6	UF9775001	1	PANEL REAR COVER	
62-7	UU0145001	1	SEPARATION RUBBER	
62-8	UF9777001	1	SPRING PLATE B	
62-9	UF9778001	1	SPRING PLATE A	
62-10	UF9995001	2	SPRING COVER	
62-11	UF9779001	1	DOCUMENT FRONT SENSOR ACTUATOR	
62-12	UF6116001	1	TAPTITE, PAN (WASHER) B M3X6	
62-13	UF9780001	1	DOCUMENT PRESSURE BAR	
62-14	UF9781001	1	DOCUMENT PRESSURE BAR SPRING	
62-15	UF9782001	1	GEAR 37	
62-16	UF9783001	1	DOCUMENT EJECTION ROLLER	
62-17	UF9787001	1	DOCUMENT EJECTION ROLLER GEAR	
62-18	UF9949001	1	BEARING, EJECTION ROLLER	
62-19	087310815	2	TAPTITE, CUP B M3X8	
62-20	087270615	1	TAPTITE, CUP B M2.6X6 FOR FAX-910/920/921/MFC-925	
62-20	087270615	2	TAPTITE, CUP B M2.6X6 FOR FAX-930/931/940/MFC-970MC	
62-21	UF4393010	1	KEY,TEL, GRAY(1395), FAX-910/920/930/940 FOR GER/UK/FRA/NOR/CHE/IRE/FIN/DEN/AUS/ISR/SWE/CZE/GNR	
62-21	UF4393012	1	KEY,TEL, WHITE(1397), FAX-920/930 FOR ARL/NZ	
62-21	UF4393003	1	KEY,TEL, WHITE(1138), FAX-921/931/MFC-925/970MC, FAX-920 FOR UK	
62-22	UF8172001	1	KEY,START, BLUE(6189), FAX-910/920/930/940	
62-22	UF8172004	1	KEY,START, BLUE(6238), FAX-921/931/MFC-925/970MC FAX-920(WHITE) FOR UK	
62-23	UF8173001	1	KEY,STOP, ORANGE(3159), FAX-910/920/930/940	
62-23	UF8173002	1	KEY,STOP, ORANGE(3172), FAX-921/931/MFC-925/970MC FAX-920(WHITE) FOR UK	
62-24	UF8174001	1	KEY,COPY, GRAY(1267), FAX-910/920/930/940	
62-24	UF8174003	1	KEY,COPY, WHITE(1138), FAX-921/931/MFC-925/970MC FAX-920 FOR UK	
62-25	UF8179001	1	KEY,COPY MODE, GRAY(1395), FAX-910/920/930/940 FOR GER/UK/FRA/NOR/CHE/IRE/FIN/DEN/AUS/ISR/SWE/CZE/GNR	
62-25	UF8179002	1	KEY,COPY MODE, WHITE(1397) FAX-920/930 FOR ARL/NZ	
62-25	UF8179004	1	KEY,COPY MODE, WHITE(1138), FAX-921/931/MFC-925/970MC FAX-920 FOR UK	
62-26	UF9118003	1	KEY,MODE, GRAY(1395), FAX-910/920/930/940 FOR GER/UK/FRA/NOR/CHE/IRE/FIN/DEN/AUS/ISR/SWE/CZE/GNR	
62-26	UF9118004	1	KEY,MODE, WHITE(1397), FAX-920/930 FOR ARL/NZ	
62-26	UF9118001	1	KEY,MODE, WHITE(1138), FAX-921/931/MFC-925/970MC FAX-920 FOR UK	
62-27	UF5581007	4	KEY,FUNCTION, GRAY(1395), FAX-910/920/930 FOR GER/UK/FRA/NOR/CHE/IRE/FIN/DEN/AUS/ISR/SWE/CZE/GNR	
62-27	UF5581007	3	KEY,FUNCTION, GRAY(1395), FAX-940	
62-27	UF5581012	1	KEY,FUNCTION, BLUE(6155), FAX-940	
62-27	UF5581008	4	KEY,FUNCTION, WHITE(1397), FAX-920/930 FOR ARL/NZ	
62-27	UF5581005	4	KEY,FUNCTION, WHITE(1138), FAX-921/931/MFC-925/970MC FAX-920 FOR UK	

FAX-910,FAX-920,FAX-921,FAX-930,FAX-931,FAX-940,MFC-925,MFC-970MC/Ver.P

REF.NO.	CODE	Q'TY	DESCRIPTION	REMARKS
62-28	UF9764001	1	KEY,ONE TOUCH, GRAY(1395), FAX-910/920/930 FOR GER/UK/FRA/NOR/CHE/IRE/FIN/DEN/AUS/ISR/SWE/CZE/GNR	
62-28	UF9764002	1	KEY,ONE TOUCH, WHITE(1397), FAX-920/930 FOR ARL/NZ	
62-28	UF9764003	1	KEY,ONE TOUCH, WHITE(1138), FAX-921/931/MFC-925/970MC FAX-920 FOR UK	
62-29	UF9960002	1	KEY,MC, GRAY(1421), FAX-930 FOR ARL/NZ	
62-29	UF9960001	1	KEY,MC, BLACK(010), FAX-931/940/MFC-970MC, FAX-930 FOR GER/UK/FRA/NOR/CHE/IRE/FIN/DEN/AUS/SWE/CZE/GNR	
62-30	UF9767001	1	FLASH KEY SUPPORT FOR FAX-930/931/940/MFC-970MC	
62-31	UF9765001	1	KEY,MC MODE FOR FAX-930/931/940/MFC-970MC	
62-32	UU0243001	1	ANTI STATIC BRUSH	
62-33	UF9788001	1	PRESSURE BAR SUPPORT	
62-34	UF9790001	1	WHITE FILM	
63	UG6625001	1	PANEL-MAIN HARNESS FOR FAX-910/920/921/MFC-925	
63	UG6882001	1	PANEL-MAIN HARNESS FOR FAX-920 FOR ARL	
63	UG6690001	1	PANEL-MAIN HARNESS FOR FAX-930/931/940/MFC-970MC	
63	UG6690001	1	PANEL-MAIN HARNESS FOR FAX-930/MFC-970MC FOR ARL	
64	UF9888001	1	LCD PLATE, FAX-910	
64	UU0207003	1	LCD PLATE, FAX-920 FOR GER/AUS	
64	UF9967004	1	LCD PLATE, FAX-920 FOR UK/FRA/NOR/CHE/IRE/FIN/DEN/ISR/SWE/CZE/GNR	
64	UF9967006	1	LCD PLATE, FAX-920 FOR ARL/NZ	
64	UU0228008	1	LCD PLATE, FAX-921 FOR BEL/NLD/SPA/ITA	
64	UU0128003	1	LCD PLATE, MFC-925 FOR GER	
64	UU0128004	1	LCD PLATE, MFC-925 FOR UK/NOR/BEL/NLD/CHE/DEN/SWE	
64	UU0128005	1	LCD PLATE, MFC-925 FOR FRA	
64	UU0168003	1	LCD PLATE, FAX-930 FOR GER/AUS	
64	UU0169004	1	LCD PLATE, FAX-930 FOR UK/CHE/IRE/GNR	
64	UU0170005	1	LCD PLATE, FAX-930 FOR FRA	
64	UU0171007	1	LCD PLATE, FAX-930 FOR NOR	
64	LE0389012	1	LCD PLATE, FAX-930 FOR FIN	
64	LE0395013	1	LCD PLATE, FAX-930 FOR DEN	
64	UU0176026	1	LCD PLATE, FAX-930 FOR SWE	
64	UU0205006	1	LCD PLATE, FAX-930 FOR ARL/NZ	
64	UU0229008	1	LCD PLATE, FAX-931 FOR BEL	
64	UU0173009	1	LCD PLATE, FAX-931 FOR NLD	
64	UU0174015	1	LCD PLATE, FAX-931 FOR SPA	
64	UU0175016	1	LCD PLATE, FAX-931 FOR ITA	
64	UU0314001	1	LCD PLATE, MFC-970MC	
64	LE0724001	1	LCD PLATE, FAX-940 FOR GER	
64	LE0731001	1	LCD PLATE, FAX-940 FOR UK/CHE	
64	LE0737001	1	LCD PLATE, FAX-940 FOR FRA	
65	UU0518001	1	ADDRESS LABEL	
66	UG6686021	1	MAIN PCB SUB ASSY, FAX-910/920/921/MFC-925 FOR GER/UK/FRA/ARL/NOR/BEL/NLD/CHE/IRE/ FIN/DEN/AUS/SPA/ITA/ISR/SWE/CZE/GNR	
66	UG6628001	1	MAIN PCB SUB ASSY, FAX-920 FOR NZ	
66	UG6687031	1	MAIN PCB SUB ASSY, FAX-930/931/MFC-970MC FOR GER/UK/FRA/ ARL/NOR/BEL/NLD/CHE/IRE/FIN/DEN/AUS/SPA/ITA/SWE/CZE/GNR	
66	UG6655011	1	MAIN PCB SUB ASSY, FAX-930/MFC-970MC FOR NZ	
66	UG6687033	1	MAIN PCB SUB ASSY, FAX-940	
67	UG6711003	1	NCU PCB ASSY, FAX-910/920/930/940/MFC-925 FOR GER	
67	UG6712004	1	NCU PCB ASSY, FAX-920/930/940/MFC-925 FOR UK/ISR/GNR	
67	UG6717005	1	NCU PCB ASSY, FAX-920/930/940/MFC-925 FOR FRA	

FAX-910,FAX-920,FAX-921,FAX-930,FAX-931,FAX-940,MFC-925,MFC-970MC/Ver.P

REF.NO.	CODE	Q'TY	DESCRIPTION	REMARKS
67	UG6713006	1	NCU PCB ASSY, FAX-920/930/MFC-970MC FOR ARL	
67	UG6713007	1	NCU PCB ASSY, FAX-920/930/MFC-925 FOR NOR	
67	UG6715008	1	NCU PCB ASSY, FAX-920/921/931/MFC-925 FOR BEL/CZE	
67	UG6716009	1	NCU PCB ASSY, FAX-921/931/MFC-925 FOR NLD	
67	UG6711010	1	NCU PCB ASSY, FAX-910/920/930/940/MFC-925 FOR CHE	
67	UG6713011	1	NCU PCB ASSY, FAX-920/930 FOR IRE	
67	UG6715012	1	NCU PCB ASSY, FAX-920/930 FOR FIN	
67	UG6715013	1	NCU PCB ASSY, FAX-920/930/MFC-925 FOR DEN	
67	UG6715014	1	NCU PCB ASSY, FAX-920/930 FOR AUS	
67	UG6899015	1	NCU PCB ASSY, FAX-921/931 FOR SPA	
67	UG6715016	1	NCU PCB ASSY, FAX-921/931 FOR ITA	
67	UG6712026	1	NCU PCB ASSY, FAX-920/930/MFC-925 FOR SWE	
(67-1)	UG6776000	1	ARRESTER:RA102 (LOCATION:A1)	
(67-2)	UG6775000	1	ARRESTER:RA311 (LOCATION:A2)	
(67-3)	UG6798000	2	PHOTO COUPLER:TLP621 (LOCATION:PH2,PH4)	
(67-4)	UG3272000	1	IC:THS-65 (LOCATION:T3)	
67	UG6858027	1	NCU PCB ASSY, FAX-920 FOR NZ	
67	UG6859077	1	NCU PCB ASSY, FAX-930/MFC-970MC FOR NZ	
(67-5)	T22708000	1	PHOTO COUPLER:TLP521 FOR NZ (LOCATION: PC1)	
(67-6)	UL8216000	1	PHOTO COUPLER:TLP320 FOR NZ (LOCATION: PC3)	
68	UG6691001	1	POWER SUPPLY PCB ASSY	
69	UF4444001	1	SCREW, PAN (WASHER) M4X6 DB	
70	UF6857001	1	HANDSET, GRAY(1395), FAX-920/930/940 FOR GER/FRA/NOR/CHE/IRE/FIN/DEN/AUS/ISR/SWE/CZE	
70	UF6857002	1	HANDSET, WHITE(1397), FAX-920/930 FOR ARL/NZ	
70	UF6857003	1	HANDSET, WHITE(1138), FAX-921/931/MFC-925/970MC, FAX-920 FOR UK	
70	UU0281001	1	HANDSET, GRAY(1395), FAX-920/930/940 FOR UK/GNR	
70	UU0281003	1	HANDSET, WHITE(1138), MFC-925 FOR UK	
71	UG3625001	1	TELEPHONE LINE CORD, FAX-910/920/MFC-925 FOR GER	
71	UL8230001	1	TELEPHONE LINE CORD, FAX-930/940 FOR GER	
71	UG3626001	1	TELEPHONE LINE CORD, FAX-920/MFC-925 FOR UK	
71	UL8211001	1	TELEPHONE LINE CORD, FAX-930/940 FOR UK	
71	UG3627001	1	TELEPHONE LINE CORD, FAX-920/MFC-925 FOR FRA	
71	UL8290001	1	TELEPHONE LINE CORD, FAX-930/940 FOR FRA	
71	UG3628001	1	TELEPHONE LINE CORD, FAX-920 FOR ARL	
71	UG3299001	1	TELEPHONE LINE CORD, FAX-930/MFC-970MC FOR ARL	
71	UG3629001	1	TELEPHONE LINE CORD, FAX-920/MFC-925 FOR NOR	
71	UL8384001	1	TELEPHONE LINE CORD, FAX-930 FOR NOR	
71	UG1575001	1	TELEPHONE LINE CORD, FAX-921/MFC-925 FOR BEL	
71	UL8219001	1	TELEPHONE LINE CORD, FAX-931 FOR BEL	
71	UG3631001	1	TELEPHONE LINE CORD, FAX-921/MFC-925 FOR NLD	
71	UL8231001	1	TELEPHONE LINE CORD, FAX-931 FOR NLD	
71	UG3469000	1	TELEPHONE LINE CORD, FAX-910/920/MFC-925 FOR CHE	
71	UG4169001	1	TELEPHONE LINE CORD, FAX-930/940 FOR CHE	
71	UG1570001	1	TELEPHONE LINE CORD, FAX-920 FOR IRE/SPA/CZE/GNR	
71	UG3409001	1	TELEPHONE LINE CORD, FAX-930 FOR IRE/SPA/CZE/GNR	
71	UG3632001	1	TELEPHONE LINE CORD, FAX-920 FOR FIN	
71	UL8217001	1	TELEPHONE LINE CORD, FAX-930 FOR FIN	
71	UG3633001	1	TELEPHONE LINE CORD, FAX-920/MFC-925 FOR DEN	
71	UL8288001	1	TELEPHONE LINE CORD, FAX-930 FOR DEN	
71	UG4205001	1	TELEPHONE LINE CORD, FAX-920/930 FOR AUS	
71	UG3634001	1	TELEPHONE LINE CORD, FAX-921 FOR ITA	
71	UL8289001	1	TELEPHONE LINE CORD, FAX-931 FOR ITA	

FAX-910,FAX-920,FAX-921,FAX-930,FAX-931,FAX-940,MFC-925,MFC-970MC/Ver.P

REF.NO.	CODE	Q'TY	DESCRIPTION	REMARKS
71	U85683001	1	TELEPHONE LINE CORD, FAX-920 FOR ISR	
71	UG3635001	1	TELEPHONE LINE CORD, FAX-920/MFC-925 FOR SWE	
71	UL8218001	1	TELEPHONE LINE CORD, FAX-930 FOR SWE	
71	UG3290001	1	TELEPHONE LINE CORD, FAX-920/930/MFC-970MC FOR NZ	
72	UG3543001	1	HANDSET CURLED CORD, GRAY(1395), FAX-920/930/940 FOR GER/UK/FRA/NOR/CHE/IRE/FIN/DEN/AUS/ISR/SWE/CZE/GNR	
72	UG3543002	1	HANDSET CURLED CORD, WHITE(1397), FAX-920/930 FOR ARL/NZ	
72	UG3543003	1	HANDSET CURLED CORD, WHITE(1138), FAX-921/931/MFC-925/970MC	
73	UF5607000	1	DOCUMENT WIRE EXTENSION	
74	UF9869001	1	PAPER WIRE EXTENSION	
75	UF9987001	1	PAPER SUPPORT	
76	UG2960003	1	MASK ROM:FAX-910 FOR GER	
76	LG0001010	1	OTPROM:FAX-910 FOR CHE	
76	UG2939003	1	OTPROM:FAX-920/MFC-925 FOR GER/AUS	
76	UG2940003	1	OTPROM:FAX-930 FOR GER/AUS	
76	LG0068003	1	OTPROM:FAX-940 FOR GER	
76	UG2961004	1	MASK ROM:FAX-920/MFC-925 FOR ISR/GNR	
76	UG2939004	1	OTPROM:FAX-920/MFC925 FOR UK	
76	UG2940004	1	OTPROM:FAX-930 FOR UK/GNR	
76	LG0068004	1	OTPROM:FAX-940 FOR UK	
76	UG2939005	1	OTPROM:FAX-920/MFC-925 FOR FRA	
76	UG2940005	1	OTPROM:FAX-930 FOR FRA	
76	LG0068005	1	OTPROM:FAX-940 FOR FRA	
76	UG2939006	1	OTPROM:FAX-920 FOR ARL	
76	UG2940006	1	OTPROM:FAX-930/MFC-970MC FOR ARL	
76	UG2963007	1	OTPROM:FAX-920/921/MFC-925 FOR NOR/BEL/CHE/CZE	
76	UG2964007	1	OTPROM:FAX-930/931 FOR NOR/BEL/CHE/CZE	
76	LG0070010	1	OTPROM:FAX-940 FOR CHE	
76	UG2896008	4	PROM:FAX-921/MFC-925 FOR BEL	
76	UG2900008	4	PROM:FAX-931 FOR BEL	
76	UG2963009	1	OTPROM:FAX-920/921/MFC-925 FOR NLD/IRE/FIN/DEN/ITA/SWE	
76	UG2964009	1	OTPROM:FAX-930/931 FOR NLD/IRE/FIN/DEN/ITA/SWE	
76	UG2896010	4	PROM:FAX-920/MFC-925 FOR CHE	
76	UG2900010	4	PROM:FAX-930 FOR CHE	
76	UG2939015	1	OTPROM:FAX-921 FOR SPA	
76	UG2940015	1	OTPROM:FAX-931 FOR SPA	
76	UG2896026	4	PROM:FAX-920/MFC-925 FOR SWE	
76	UG2900026	4	PROM:FAX-930 FOR SWE	
76	UG2939027	1	OTPROM:FAX-920 FOR NZ	
76	UG2940027	1	OTPROM:FAX-930/MFC-970MC FOR NZ	
(77)	UF9860001	1	RIBBON CASSETTE UNIT	
(77-1)	UF8064001	1	STARTER RIBBON (30M)	
(77-2)	UF9862001	1	RIBBON CASSETTE CASE	
(78)	UU0456001	2	HEAD PROTECTION SHEET	
(79)	UU0040001	1	MULTI FUNCTION LINK ASSY, MFC925	
(80)	UU1336004	1	CD ROM ASSY FOR MFC-925	
(81)	UU0419003	1	OWNER'S MANUAL ASSY, FAX-910 FOR GER (INCLUDING OPERATIONS MANUAL FAX910(REF.NO.81-1), WARRANTY CARD EUR, SPPED DIAL LABEL FOR FAX-910(REF.NO.94), DOCUMENT WIRE EXTENSION(REF.NO.73), PAPER WIRE EXTENSION(REF.NO.74), PAPER SUPPORT(REF.NO.75))	

REF.NO.	CODE	Q'TY	DESCRIPTION	REMARKS
(81)	UU0628010	1	OWNER'S MANUAL ASSY, FAX-910 FOR CHE (INCLUDING OPERATIONS MANUAL FAX-910<GERMAN>, OPERATIONS MANUAL FAX-910<FRENCH>(REF.NO.81-1), WARRANTY CARD EUR, SPPED DIAL LABEL FOR FAX-910(REF.NO.94), DOCUMENT WIRE EXTENSION(REF.NO.73), PAPER WIRE EXTENSION(REF.NO.74), PAPER SUPPORT(REF.NO.75))	
(81)	UU0420003	1	OWNER'S MANUAL ASSY, FAX-920/930 FOR GER/AUS (INCLUDING OPERATIONS MANUAL FAX-920/930/MFC-925 FOR GER(REF.NO.81-1), WARRANTY CARD EUR, DOCUMENT WIRE EXTENSION(REF.NO.73), PAPER WIRE EXTENSION(REF.NO.74), PAPER SUPPORT(REF.NO.75))	
(81)	UU0436003	1	OWNER'S MANUAL ASSY, MFC-925 FOR GER (INCLUDING OPERATIONS MANUAL FAX-920/930/MFC-925 FOR GER(REF.NO.81-1), MULTI FUNCTION LINK MANUAL MFC-925 FOR GER/UK/FRA/BEL/NLD/CHE(REF.NO.81-3), WARRANTY CARD EUR, DOCUMENT WIRE EXTENSION(REF.NO.73), PAPER WIRE EXTENSION(REF.NO.74), PAPER SUPPORT(REF.NO.75))	
(81)	LE0725003	1	USER'S MANUAL ASSY FAX-940 FOR GER, (INCLUDING OPERATIONS MANUAL FAX-940 (REF.NO.81-1) E-MAIL MANUAL, WARRANTY CARD EUR, DOCUMENT WIRE EXTENSION(REF.NO.73), PAPER WIRE EXTENSION(REF.NO.74), PAPER SUPPORT(REF.NO.75))	
(81)	UU0421004	1	OWNER'S MANUAL ASSY, FAX-920/930 FOR UK (INCLUDING OPERATIONS MANUAL FAX-920/930/MFC-925 FOR UK/IRE/GNR(REF.NO.81-1), WARRANTY CARD EUR, WARRANTY CARD UK-A, WARRANTY CARD UK-B, DOCUMENT WIRE EXTENSION(REF.NO.73), PAPER WIRE EXTENSION(REF.NO.74), PAPER SUPPORT(REF.NO.75))	
(81)	UU0437004	1	OWNER'S MANUAL ASSY, MFC-925 FOR UK (INCLUDING OPERATIONS MANUAL FAX-920/930/MFC-925 FOR UK/IRE/GNR(REF.NO.81-1), MULTI FUNCTION LINK MANUAL MFC-925 FOR GER/UK/FRA/BEL/NLD/CHE(REF.NO.81-3), WARRANTY CARD EUR, WARRANTY CARD UK-A, WARRANTY CARD UK-B, DOCUMENT WIRE EXTENSION(REF.NO.73), PAPER WIRE EXTENSION(REF.NO.74), PAPER SUPPORT(REF.NO.75))	
(81)	LE0732004	1	USER'S MANUAL ASSY FAX-940 FOR UK, (INCLUDING OPERATIONS MANUAL FAX-940 (REF.NO.81-1) E-MAIL MANUAL, WARRANTY CARDS, DOCUMENT WIRE EXTENSION(REF.NO.73), PAPER WIRE EXTENSION(REF.NO.74), PAPER SUPPORT(REF.NO.75))	
(81)	UU0422005	1	OWNER'S MANUAL ASSY, FAX-920/930 FOR FRA (INCLUDING OPERATIONS MANUAL FAX-920/930/MFC-925 FOR FRA(REF.NO.81-1), WARRANTY CARD EUR, WARRANTY CARD FRA, DOCUMENT WIRE EXTENSION(REF.NO.73), PAPER WIRE EXTENSION(REF.NO.74), PAPER SUPPORT(REF.NO.75))	
(81)	UU0438005	1	OWNER'S MANUAL ASSY, MFC-925 FOR FRA (INCLUDING OPERATIONS MANUAL FAX-920/930/MFC-925 FOR FRA(REF.NO.81-1), MULTI FUNCTION LINK MANUAL MFC-925 FOR GER/UK/FRA/BEL/NLD/CHE(REF.NO.81-3),	

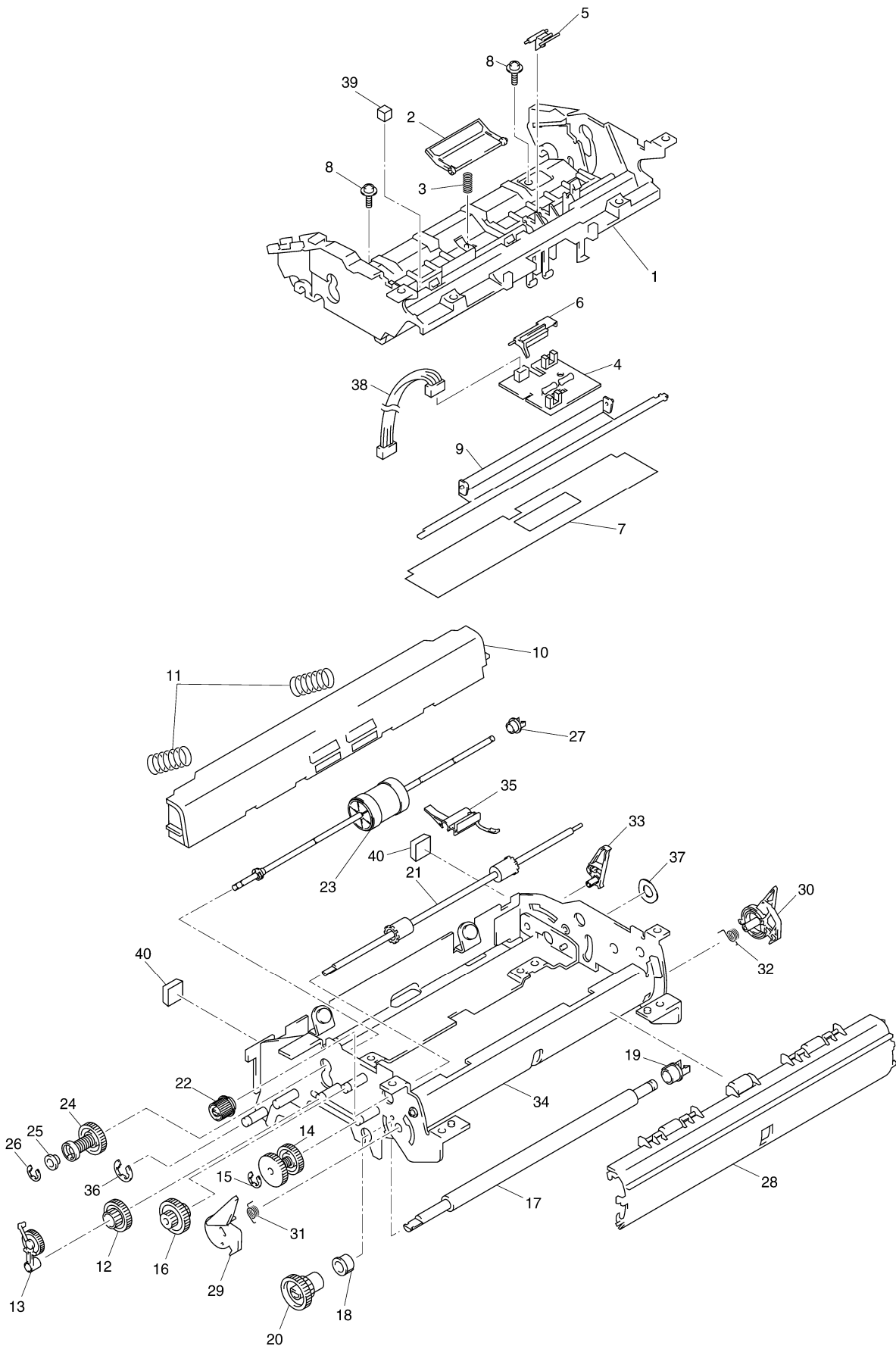
REF.NO.	CODE	Q'TY	DESCRIPTION	REMARKS
(81)	UU0423006	1	WARRANTY CARD EUR, WARRANTY CARD FRA, DOCUMENT WIRE EXTENSION(REF.NO.73), PAPER WIRE EXTENSION(REF.NO.74), PAPER SUPPORT(REF.NO.75)) OWNER'S MANUAL ASSY, FAX-920/930 FOR ARL (INCLUDING OPERATIONS MANUAL FAX-920/930/MFC-970MC FOR ARL(REF.NO.81-1), QUICK REFERENCE GUIDE FOR ARL/NZ (REF.NO.81-2), DOCUMENT WIRE EXTENSION(REF.NO.73), PAPER WIRE EXTENSION(REF.NO.74), PAPER SUPPORT(REF.NO.75))	
(81)	UU0315006	1	OWNER'S MANUAL ASSY, MFC-970MC FOR ARL (INCLUDING OPERATIONS MANUAL FAX-920/930 FOR ARL(REF.NO.81-1), QUICK REFERENCE GUIDE FOR ARL/NZ(REF.NO.81-2), MULTI FUNCTION LINK MANUAL FOR ARL/NZ(REF.NO.81-3), DOCUMENT WIRE EXTENSION (REF.NO.73), PAPER WIRE EXTENSION(REF.NO.74), PAPER SUPPORT(REF.NO.75))	
(81)	UU0424007	1	OWNER'S MANUAL ASSY, FAX-920/930 FOR NOR (INCLUDING OPERATIONS MANUAL FAX-920/930/MFC-925 FOR NOR(REF.NO.81-1), WARRANTY CARD EUR, WARRANTY CARD NOR, DOCUMENT WIRE EXTENSION(REF.NO.73), PAPER WIRE EXTENSION(REF.NO.74), PAPER SUPPORT(REF.NO.75))	
(81)	UU0439007	1	OWNER'S MANUAL ASSY, MFC-925 FOR NOR (INCLUDING OPERATIONS MANUAL FAX-920/930/MFC-925 FOR NOR(REF.NO.81-1), MULTI FUNCTION LINK MANUAL MFC-925 FOR NOR/DEN/SWE(REF.NO.81-3), WARRANTY CARD EUR, WARRANTY CARD NOR, DOCUMENT WIRE EXTENSION(REF.NO.73), PAPER WIRE EXTENSION(REF.NO.74), PAPER SUPPORT(REF.NO.75))	
(81)	UU0425008	1	OWNER'S MANUAL ASSY, FAX-921/931 FOR BEL (INCLUDING OPERATIONS MANUAL FAX-921/931/MFC-925 FOR BEL<DUTCH>(REF.NO.81-1), OPERATIONS MANUAL FAX-920 /921/930/931/MFC-925 FOR BEL/CHE<FRENCH>(REF.NO.81-1), WARRANTY CARD EUR, DOCUMENT WIRE EXTENSION (REF.NO.73), PAPER WIRE EXTENSION(REF.NO.74), PAPER SUPPORT(REF.NO.75))	
(81)	UU0440008	1	OWNER'S MANUAL ASSY, MFC-925 FOR BEL (INCLUDING OPERATIONS MANUAL FAX-921/931/MFC-925 FOR BEL<DUTCH>(REF.NO.81-1), OPERATIONS MANUAL FAX-920/921/930/931/MFC-925 FOR BEL/CHE<FRENCH> (REF.NO.81-1), MULTI FUNCTION LINK MANUAL MFC-925 FOR GER/UK/FRA/BEL/NLD/CHE(REF.NO.81-3), WARRANTY CARD EUR, DOCUMENT WIRE EXTENSION(REF.NO.73), PAPER WIRE EXTENSION(REF.NO.74), PAPER SUPPORT(REF.NO.75))	
(81)	UU0426009	1	OWNER'S MANUAL ASSY, FAX-921/931 FOR NLD (INCLUDING OPERATIONS MANUAL FAX-921/931/MFC-925 FOR NLD(REF.NO.81-1), WARRANTY CARD EUR, DOCUMENT WIRE EXTENSION(REF.NO.73), PAPER WIRE EXTENSION(REF.NO.74), PAPER SUPPORT(REF.NO.75))	
(81)	UU0441009	1	OWNER'S MANUAL ASSY, MFC-925 FOR NLD (INCLUDING OPERATIONS MANUAL FAX-921/931/MFC-925	

REF.NO.	CODE	Q'TY	DESCRIPTION	REMARKS
(81)	UU0427010	1	FOR NLD(REF.NO.81-1), MULTI FUNCTION LINK MANUAL MFC-925 FOR GER/UK/FRA/BEL/NLD/CHE(REF.NO.81-3), WARRANTY CARD EUR, DOCUMENT WIRE EXTENSION(REF.NO.73), PAPER WIRE EXTENSION(REF.NO.74), PAPER SUPPORT(REF.NO.75)) OWNER'S MANUAL ASSY, FAX-920/930 FOR CHE (INCLUDING OPERATIONS MANUAL FAX-920/930/MFC-925 FOR CHE<GERMAN>(REF.NO.81-1), OPERATIONS MANUAL FAX-920/921/930/931/MFC-925 FOR BEL/CHE<FRENCH> (REF.NO.81-1), WARRANTY CARD EUR, DOCUMENT WIRE EXTENSION(REF.NO.73), PAPER WIRE EXTENSION(REF.NO.74), PAPER SUPPORT(REF.NO.75))	
(81)	LE0828010	1	USER'S MANUAL ASSY FAX-940 FOR CHE, (INCLUDING OPERATIONS MANUAL FAX-940 FOR CHE<GERMAN>, OPERATIONS MANUAL FAX-940 FOR BEL/CHE<FRENCH> (REF.NO.81-1), E-MAIL MANUAL FOR GER/CHE<GERMAN>, E-MAIL MANUAL FOR FRA/CHE<FRENCH>, WARRANTY CARD EUR, DOCUMENT WIRE EXTENSION(REF.NO.73), PAPER WIRE EXTENSION(REF.NO.74), PAPER SUPPORT(REF.NO.75))	
(81)	UU0442010	1	OWNER'S MANUAL ASSY, MFC-925 FOR CHE (INCLUDING OPERATIONS MANUAL FAX-920/930/MFC-925 FOR CHE<GERMAN>(REF.NO.81-1), OPERATIONS MANUAL FAX-920/930/MFC-925 FOR BEL/CHE<FRENCH>(REF.NO.81-1), MULTI FUNCTION LINK MANUAL MFC-925 FOR GER/UK/FRA/BEL/NLD/CHE(REF.NO.81-3), WARRANTY CARD EUR, DOCUMENT WIRE EXTENSION(REF.NO.73), PAPER WIRE EXTENSION(REF.NO.74), PAPER SUPPORT(REF.NO.75))	
(81)	UU0428011	1	OWNER'S MANUAL ASSY, FAX-920/930 FOR IRE (INCLUDING OPERATIONS MANUAL FAX-920/930/MFC-925 FOR UK/IRE/GNR(REF.NO.81-1), WARRANTY CARD EUR, DOCUMENT WIRE EXTENSION(REF.NO.73), PAPER WIRE EXTENSION(REF.NO.74), PAPER SUPPORT(REF.NO.75))	
(81)	UU0429012	1	OWNER'S MANUAL ASSY, FAX-920 FOR FIN (INCLUDING OPERATIONS MANUAL FAX-920 FOR FIN(REF.NO.81-1), WARRANTY CARD EUR, DOCUMENT WIRE EXTENSION(REF.NO.73), PAPER WIRE EXTENSION(REF.NO.74), PAPER SUPPORT(REF.NO.75))	
(81)	LE0631012	1	OWNER'S MANUAL ASSY, FAX-930 FOR FIN (INCLUDING OPERATIONS MANUAL FAX-920/930/MFC-925 FOR UK(REF.NO.81-1), DOCUMENT WIRE EXTENSION(REF.NO.73), PAPER WIRE EXTENSION(REF.NO.74), PAPER SUPPORT(REF.NO.75))	
(81)	UU0430013	1	OWNER'S MANUAL ASSY, FAX-920/930 FOR DEN (INCLUDING OPERATIONS MANUAL FAX-920/930/MFC-925 FOR DEN(REF.NO.81-1), WARRANTY CARD EUR, DOCUMENT WIRE EXTENSION(REF.NO.73), PAPER WIRE EXTENSION(REF.NO.74), PAPER SUPPORT(REF.NO.75))	
(81)	UU0443013	1	OWNER'S MANUAL ASSY, MFC-925 FOR DEN (INCLUDING OPERATIONS MANUAL FAX-920/930/MFC-925 FOR DEN(REF.NO.81-1), MULTI FUNCTION LINK MANUAL MFC-925 FOR NOR/DEN/SWE(REF.NO.81-3),	

REF.NO.	CODE	Q'TY	DESCRIPTION	REMARKS
(81)	UU0431015	1	WARRANTY CARD EUR, DOCUMENT WIRE EXTENSION(REF.NO.73), PAPER WIRE EXTENSION(REF.NO.74), PAPER SUPPORT(REF.NO.75)) OWNER'S MANUAL ASSY, FAX-921/931 FOR SPA (INCLUDING OPERATIONS MANUAL FAX-921/931 FOR SPA(REF.NO.81-1), WARRANTY CARD EUR, DOCUMENT WIRE EXTENSION(REF.NO.73), PAPER WIRE EXTENSION(REF.NO.74), PAPER SUPPORT(REF.NO.75))	
(81)	UU0432016	1	OWNER'S MANUAL ASSY, FAX-921/931 FOR ITA (INCLUDING OPERATIONS MANUAL FAX-921/931 FOR ITA(REF.NO.81-1), WARRANTY CARD EUR, DOCUMENT WIRE EXTENSION(REF.NO.73), PAPER WIRE EXTENSION(REF.NO.74), PAPER SUPPORT(REF.NO.75))	
(81)	UU0433017	1	OWNER'S MANUAL ASSY, FAX-920/930 FOR ISR/FIN/CZE/GNR (INCLUDING OPERATIONS MANUAL FAX-920/930/MFC-925 FOR UK(REF.NO.81-1), WARRANTY CARD EUR, DOCUMENT WIRE EXTENSION(REF.NO.73), PAPER WIRE EXTENSION(REF.NO.74), PAPER SUPPORT(REF.NO.75))	
(81)	UU0434026	1	OWNER'S MANUAL ASSY, FAX-920/930 FOR SWE (INCLUDING OPERATIONS MANUAL FAX-920/930/MFC-925 FOR SWE(REF.NO.81-1), WARRANTY CARD EUR, WARRANTY CARD SWE, DOCUMENT WIRE EXTENSION(REF.NO.73), PAPER WIRE EXTENSION(REF.NO.74), PAPER SUPPORT(REF.NO.75))	
(81)	UU0444026	1	OWNER'S MANUAL ASSY, MFC-925 FOR SWE (INCLUDING OPERATIONS MANUAL FAX-920/930/MFC-925 FOR SWE(REF.NO.81-1), MULTI FUNCTION LINK MANUAL MFC-925 FOR NOR/DEN/SWE(REF.NO.81-3), WARRANTY CARD EUR, WARRANTY CARD SWE, DOCUMENT WIRE EXTENSION(REF.NO.73), PAPER WIRE EXTENSION(REF.NO.74), PAPER SUPPORT(REF.NO.75))	
(81)	UU0435027	1	OWNER'S MANUAL ASSY, FAX-920/930 FOR NZ (INCLUDING OPERATIONS MANUAL FAX-920/930/MFC-925 FOR NZ(REF.NO.81-1), QUICK REFERENCE GUIDE FOR ARL/NZ (REF.NO.81-2), DOCUMENT WIRE EXTENSION(REF.NO.73), PAPER WIRE EXTENSION(REF.NO.74), PAPER SUPPORT(REF.NO.75))	
(81)	UU0315027	1	OWNER'S MANUAL ASSY, MFC-970MC FOR NZ (INCLUDING OPERATIONS MANUAL FAX-920/930 FOR NZ(REF.NO.81-1), QUICK REFERENCE GUIDE FOR ARL/NZ (REF.NO.81-2), MULTI FUNCTION LINK MANUAL FOR ARL/NZ(REF.NO.81-3), DOCUMENT WIRE EXTENSION(REF.NO.73), PAPER WIRE EXTENSION(REF.NO.74), PAPER SUPPORT(REF.NO.75))	
(81)	UU0445004	4	OWNER'S MANUAL ASSY, FAX-920/930 FOR GNR (INCLUDING OPERATIONS MANUAL FAX-920/930/MFC-925 FOR UK/GNR(REF.NO.81-1), DOCUMENT WIRE EXTENSION(REF.NO.73), PAPER WIRE EXTENSION(REF.NO.74), PAPER SUPPORT(REF.NO.75))	
(81-1)	UF9889003	1	OPERATIONS MANUAL, FAX-910 FOR GER	
(81-1)	UU0079003	1	OPERATIONS MANUAL, FAX-920/930/MFC-925 FOR GER	
(81-1)	LE0839003	1	OPERATIONS MANUAL, FAX-940 FOR GER	
(81-1)	UU0079004	1	OPERATIONS MANUAL, FAX-920/930/940/MFC-925	

REF.NO.	CODE	Q'TY	DESCRIPTION	REMARKS
			FOR UK/IRE/FIN/ISR/CZE/GNR	
(81-1)	UU0079005	1	OPERATIONS MANUAL, FAX-920/930/940/MFC-925 FOR FRA	
(81-1)	UU0079006	1	OPERATIONS MANUAL, FAX-920/930/MFC-970MC FOR ARL	
(81-1)	UU0079007	1	OPERATIONS MANUAL, FAX-920/930/MFC-925 FOR NOR	
(81-1)	UU0079008	1	OPERATIONS MANUAL, FAX-921/931/MFC-925 FOR BEL<DUTCH>	
(81-1)	UU0080008	1	OPERATIONS MANUAL, FAX-920/921/930/931/940/MFC-925 FOR BEL/CHE<FRENCH>	
(81-1)	UU0079009	1	OPERATIONS MANUAL, FAX-921/931/MFC-925 FOR NLD	
(81-1)	UF9889010	1	OPERATIONS MANUAL, FAX-910 FOR CHE<GERMAN>	
(81-1)	UU0629008	1	OPERATIONS MANUAL, FAX-910 FOR CHE<FRENCH>	
(81-1)	UU0079010	1	OPERATIONS MANUAL, FAX-920/930/940/MFC-925 FOR CHE <GERMAN>	
(81-1)	UU0079011	4	OPERATIONS MANUAL, FAX-920/930 FOR IRE	<Eliminated>
(81-1)	UU0079012	1	OPERATIONS MANUAL, FAX-920 FOR FIN	
(81-1)	UU0079013	1	OPERATIONS MANUAL, FAX-920/930/MFC-925 FOR DEN	
(81-1)	UU0079015	1	OPERATIONS MANUAL, FAX-921/931 FOR SPA	
(81-1)	UU0079016	1	OPERATIONS MANUAL, FAX-921/931 FOR ITA	
(81-1)	UU0079017	1	OPERATIONS MANUAL, FAX-920 FOR ISR	
(81-1)	UU0079026	1	OPERATIONS MANUAL, FAX-920/930/MFC925 FOR SWE	
(81-1)	UU0079027	1	OPERATIONS MANUAL, FAX-920/930/MFC-970MC FOR NZ	
(81-2)	UU0242001	1	QUICK REFERENCE GUIDE FOR ARL/NZ	
(81-3)	UF5469001	1	MULTI FUNCTION LINK MANUAL FOR ARL/NZ	
(81-3)	UU0129001	1	MULTI FUNCTION LINK MANUAL, MFC-925 FOR GER/UK/FRA/BEL/NLD/CHE	
(81-3)	UU0130001	1	MULTI FUNCTION LINK MANUAL, MFC-925 FOR NOR/DEN/SWE	
(81-4)	LE0726001	1	E-MAIL MANUAL, FAX940 FOR GER/CHE<GERMAN>	
(81-4)	LE0733001	1	E-MAIL MANUAL, FAX940 FOR UK	
(81-4)	LE0739001	1	E-MAIL MANUAL, FAX940 FOR FRA/CHE<FRENCH>	
(82)	UF8263001	1	TEST CHART TC-027	
(83)	UF9883004	4	MYLAR LABEL, FAX-940	<Eliminated>
(83)	UF9914003	4	MYLAR LABEL, FAX-920 FOR GER/AUS	<Eliminated>
(83)	UF9914004	4	MYLAR LABEL, FAX-920 FOR UK/CHE/IRE/GNR	<Eliminated>
(83)	UF9914005	4	MYLAR LABEL, FAX-920 FOR FRA	<Eliminated>
(83)	UF0241006	1	MYLAR LABEL, FAX-920 FOR ARL	
(83)	UF9914007	4	MYLAR LABEL, FAX-920 FOR NOR	<Eliminated>
(83)	UF9914009	4	MYLAR LABEL, FAX-920 FOR NLD	<Eliminated>
(83)	UF9914026	4	MYLAR LABEL, FAX-920 FOR SWE	<Eliminated>
(83)	UU0120003	4	MYLAR LABEL, MFC-925 FOR GER	<Eliminated>
(83)	UU0120004	4	MYLAR LABEL, MFC-925 FOR UK/CHE	<Eliminated>
(83)	UU0120005	4	MYLAR LABEL, MFC-925 FOR FRA	<Eliminated>
(83)	UU0120007	4	MYLAR LABEL, MFC-925 FOR NOR	<Eliminated>
(83)	UU0120009	4	MYLAR LABEL, MFC-925 FOR NLD	<Eliminated>
(83)	UU0120026	4	MYLAR LABEL, MFC-925 FOR SWE	<Eliminated>
(83)	UU0158003	4	MYLAR LABEL, FAX-930 FOR GER/AUS	<Eliminated>
(83)	UU0158004	4	MYLAR LABEL, FAX-930 FOR UK/CHE/IRE/GNR	<Eliminated>
(83)	UU0158005	4	MYLAR LABEL, FAX-930 FOR FRA	<Eliminated>
(83)	UU0249006	1	MYLAR LABEL, FAX-930 FOR ARL	
(83)	UU0158009	4	MYLAR LABEL, FAX-930 FOR NLD	<Eliminated>
(83)	UU0312006	1	MYLAR LABEL, FAX-970 FOR ARL	
(84)	LE0347001	1	CARTON, BROTHER FAX-910	
(84)	LE0348001	1	CARTON, BROTHER FAX-920 FOR GER/UK/FRA/CHE/IRE/AUS/ISR/CZE/GNR	
(84)	LE0407001	1	CARTON, BROTHER FAX-920 FOR ARL/NZ	
(84)	LE0352001	1	CARTON, BROTHER FAX-921 FOR BEL/NLD/SPA/ITA	

REF.NO.	CODE	Q'TY	DESCRIPTION	REMARKS
(84)	LE0349001	1	CARTON, BROTHER FAX-920 FOR NOR/FIN/DEN/SWE	
(84)	UE1932001	1	CARTON, BROTHER MFC-925 FOR GER/UK/FRA/BEL/NLD/CHE	
(84)	UE1933001	1	CARTON, BROTHER MFC-925 FOR NOR/DEN/SWE	
(84)	LE0350001	1	CARTON, BROTHER FAX-930 FOR GER/UK/FRA/CHE/ IRE/FIN/DEN/AUS/CZE/GNR	
(84)	LE0408001	1	CARTON, BROTHER FAX-930 FOR ARL/NZ	
(84)	LE0351001	1	CARTON, BROTHER FAX-930 FOR NOR/SWE	
(84)	LE0353001	1	CARTON, BROTHER FAX-931 FOR BEL/NLD/SPA/ITA	
(84)	LE0727003	1	CARTON, BROTHER FAX-940 FOR GER	
(84)	LE0727004	1	CARTON, BROTHER FAX-940 FOR UK/CHE	
(84)	LE0727005	1	CARTON, BROTHER FAX-940 FOR FRA	
(84)	LE0409001	1	CARTON, BROTHER MFC-970MC FOR ARL/NZ	
(85)	UE1763001	1	STYROFORM, MFC-925, FAX-920/930/MFC-970MC FOR ARL/NZ	
(85)	LE0212001	1	STYROFORM, FAX-910/920/921/930/931/940, MFC970MC	
(86)	UE1172001	1	BAG, 570X650H	
(86)	UE1172002	1	BAG, 570X650H, ONLY FOR FRA	
(87)	UE1766001	1	CARTON FOR ACCESSORIES, MFC-925	
88	UF9872001	2	PAPER GUIDE	
89	UG3680001	1	AC CORD ASSY FOR GER/FRA/NOR/BEL/NLD/FIN/AUS/SPA/ITA/SWE/CZE/GNR	
89	UG3681001	1	AC CORD ASSY FOR UK/IRE	
89	UG3682001	1	AC CORD ASSY FOR ARL/NZ	
89	UG3683001	1	AC CORD ASSY FOR CHE	
89	UG6669001	1	AC CORD ASSY FOR DEN	
89	UG3684001	1	AC CORD ASSY FOR ISR	
90	UG6618001	1	MAIN-HOOK SWITCH HARNESS FOR FAX-920/921/930/931/940/MFC-925/970MC	
91	UF5745000	1	HIDE COVER, EXT FOR GER/UK/FRA/BEL/NLD/FIN/DEN/AUS/ITA/SWE/CZE/GNR	
92	UF7095000	1	HIDE COVER, H/S FOR FAX-910	
93	----	1	NOT USED	
(94)	UU0405001	1	SPPED DIAL LABEL FOR FAX-910	
95	087310815	1	TAPTITE, CUP B M3X8	
(96)	----	1	NOT USED	
(97)	----	1	NOT USED	
(98)	048050356	1	RETAINING RING, E5	
(99)	LE0715001	1	EXTERNAL KEYBOARD ASSY, FAX940	



1. PLATEN FRAME ATTACHMENT

REF.NO.	CODE	Q'TY	DESCRIPTION	REMARKS
1	UF9736001	1	PAPER FEED CHUTE	
2	UF9737001	1	SEPARATION PAD	
3	UF9740001	1	SEPARATION PAD SPRING	
4	UG6609001	1	SENSOR PCB	
5	UF9741001	1	PAPER EDGE SENSOR ACTUATOR	
6	UF9742001	1	PAPER EJECTION SENSOR ACTUATOR	
7	UF9744001	1	CHUTE FILM	
8	U24014001	2	TAPTITE, CUP S M3.0X6	
9	UF9750001	1	PRESSURE PLATE LINK	
10	UF9746001	1	PRESSURE PLATE	
11	UF9745001	2	PRESSURE PLATE SPRING	
12	UF9712001	1	GEAR 24/28, SUN GEAR	
13	UF9713001	1	ARM P ASSY	
14	UF9715001	1	CLUTCH GEAR 37 ASSY	
15	048030346	1	RETAINING RING, E3	
16	UF9719001	1	GEAR 19/38	
17	UF9720001	1	PLATEN	
18	UF9722001	1	PLATEN SHAFT BUSHING, L	
19	UF9723001	1	PLATEN SHAFT BUSHING, R	
20	UF9724001	1	GEAR 25/27	
21	UF9725001	1	PAPER EJECTION ROLLER	
22	UF9727001	1	PAPER EJECTION ROLLER GEAR	
23	UF9728001	1	PAPER FEED ROLLER ASSY	
24	UF9730001	1	GEAR 43 ASSY	
25	UF9734001	1	COLLAR STOPPER	
26	048040346	1	RETAINING RING, E4	
27	UF0026001	1	PAWLED BUSHING	
28	UF9751001	1	CHUTE B ASSY	
29	UF9755001	1	LOCK LEVER L, BLUE(6155)	
30	UF9756001	1	LOCK LEVER R, BLUE(6155)	
31	UF9757001	1	LOCK LEVER SPRING, L	
32	UF9758001	1	LOCK LEVER SPRING, R	
33	UF9792001	1	PRESSURE PLATE RELEASE CAM	
34	UF9701001	1	PLATEN FRAME	
35	UF9873001	1	FRONT COVER SENSING ACTUATOR	
36	048050346	1	RETAINING RING, E5	
37	UU0078001	1	SPRING WASHER	
38	UG6612001	1	MAIN-SENSOR HARNESS	
39	UF8979004	4	HARNESS-GUIDE	<Eliminated>
39	----		NOT USED	
40	UF6761001	2	RUBBER FOOT	

brother®