



**FACSIMILE EQUIPMENT**

**PARTS REFERENCE LIST**

**MODEL: FAX-T102 / T104 / T106**

**FAX-T104S / T104B**

**FAX-T106S / T106B**

**(For Germany / United Kingdom / France /  
Belgium / Netherlands / Switzerland /  
Ireland / Denmark / Austria / Spain / Italy /  
Portugal / Russia /Pan-Nordic / East Europe /  
Euro Generic)**

© Copyright Brother 2004

All rights reserved

No part of this publication may be reproduced in any form  
or by any means without permission in writing from the  
publisher.

Specifications are subject to change without prior notice.

## NOTES FOR USING THIS PARTS REFERENCE LIST

1. In the case of ordering parts, it needs mentioning the following items:

- (1) Code
- (2) Q' ty
- (3) Description
- (4) Recommend (The  $\checkmark$  mark is attached to recommend parts at this column.)
- (5) Symbol (PCB No., Revision, and Parts location mounted on the PCB.)

Note: No orders without Parts Code or Tool No. can be accepted.

[Example]

| (1)     | (2)  | (3)   | (4)         | (5)       |        |         |
|---------|------|-------|-------------|-----------|--------|---------|
| REF.NO. | CODE | Q' TY | DESCRIPTION | RECOMMEND | SYMBOL | REMARKS |
|         |      |       |             |           |        |         |

2. Design-changed parts:

When the parts are changed, any one of the following symbols is mentioned in the REMARKS column.

CHG (chg): The part is changed to a new part.

ADD (add): The part is newly added.

DEL (del): The part is deleted.

Symbol in capital letters indicates that the change is the latest one in the page.

3. Parts change will be informed by the technical information.

## COUNTRIES

GERMAN ---- GER

UNITED KINGDOM ---- UK

FRANCE ---- FRA

BELGIUM ---- BEL

NETHERLANDS ---- NLD

SWITZERLAND ---- CHE

IRELAND ---- IRE

DENMARK ---- DEN

AUSTRIA ---- AUS

SPAIN ---- SPA

ITALY ---- ITA

PORTUGAL ---- POR

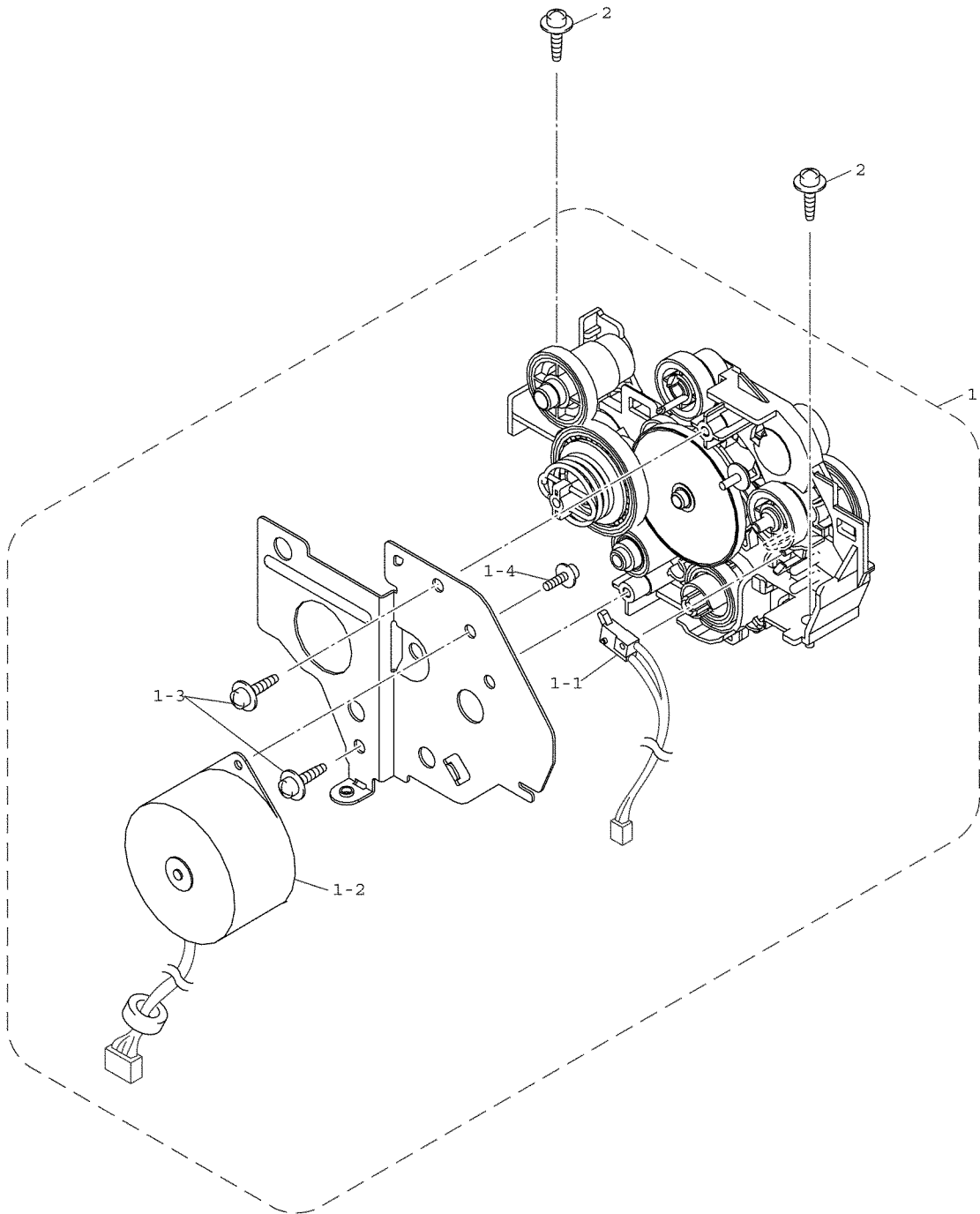
RUSSIA ---- RUS

PAN NORDIC (Norway / Finland / Sweden) ---- PND

EAST EUROPE (Czech / Hungary) ---- EEU

EURO GENERIC ---- GNR

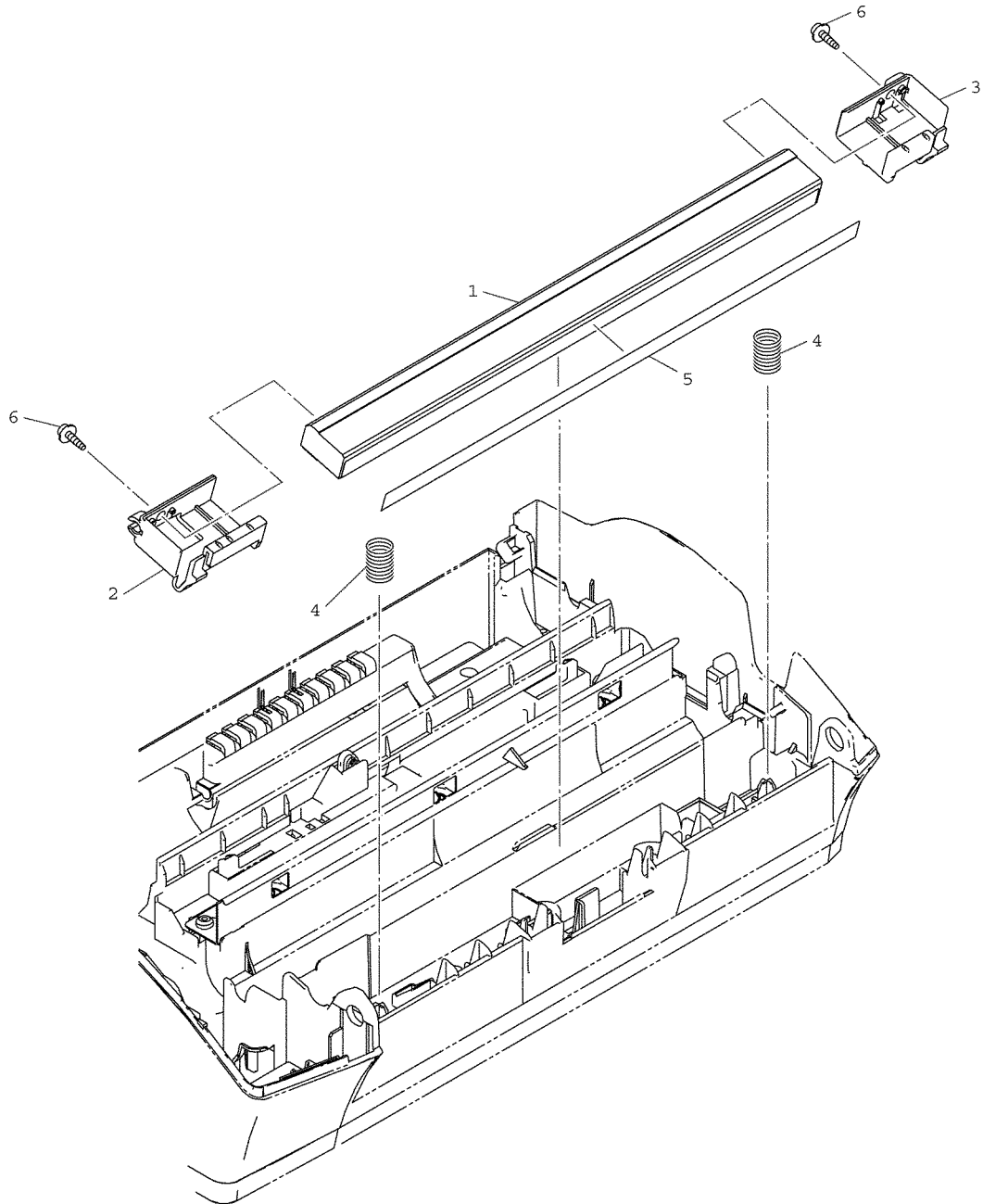
# 1. DRIVING



## LIST1(DRIVING)

| REF No. | CODE      | QTY | DESCRIPTION          | RECOMMEND | REMARKS |
|---------|-----------|-----|----------------------|-----------|---------|
| 1       | LS9507001 | 1   | DRIVE UNIT           |           | CHG     |
| 1-1     | LG5642001 | 1   | CAM SWITCH HARNESS   |           |         |
| 1-2     | Z27001001 | 1   | MOTOR                |           |         |
| 1-3     | 087310815 | 2   | TAPTITE, CUP B M3X8  |           |         |
| 1-4     | U24014002 | 1   | TAPTITE, CUP S M3X6  |           |         |
| 2       | 087311016 | 2   | TAPTITE, CUP B M3X10 |           |         |

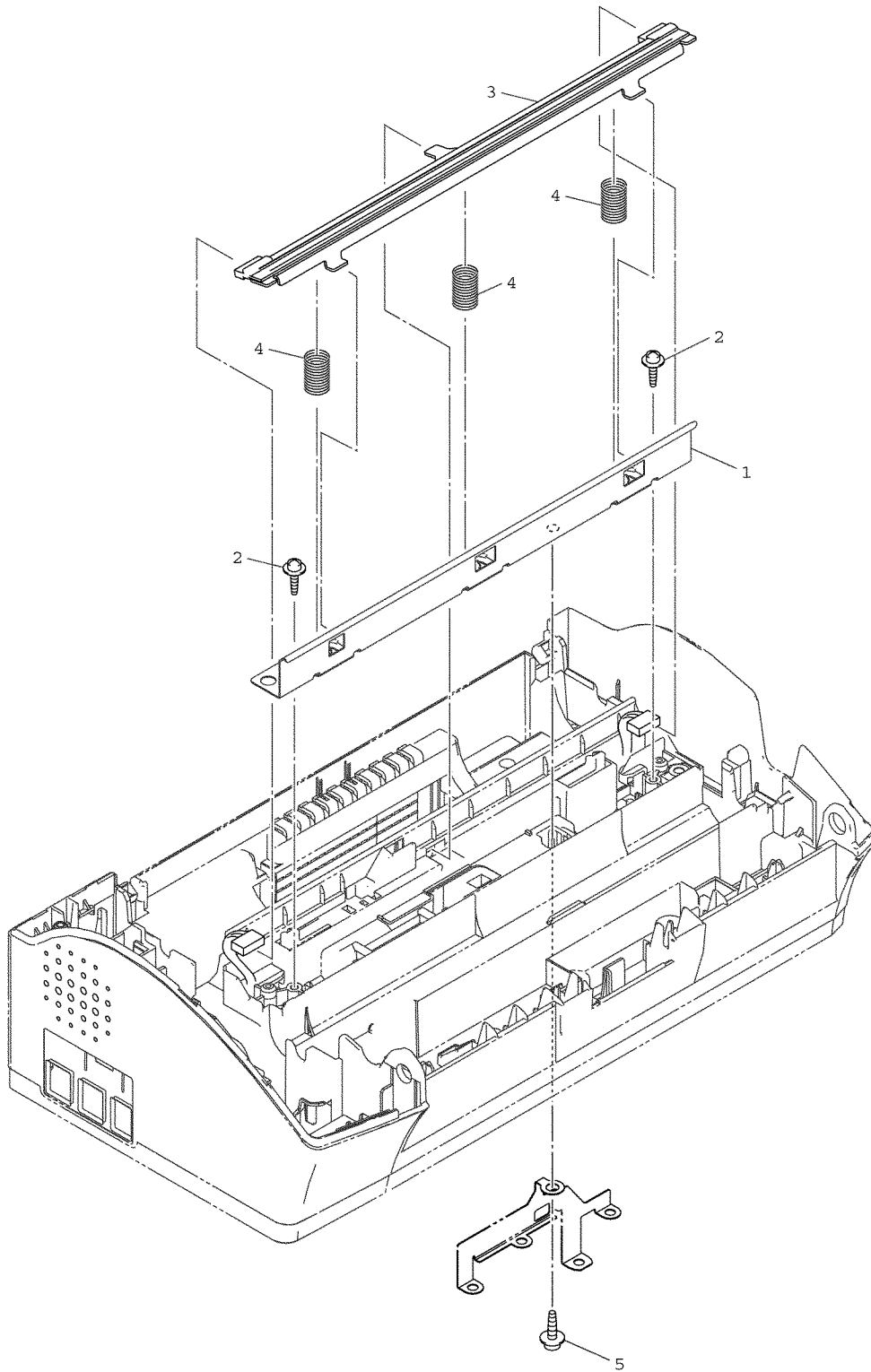
## 2. SCANNING



## LIST2(SCANNING)

| REF No. | CODE                 | Q'TY | DESCRIPTION   | RECOMMEND    | REMARKS |
|---------|----------------------|------|---|--------------|---------|
| 1       | LT0508001            | 1    | CIS UNIT  | √            | add     |
| 4       | <del>LG5584004</del> | 4    | <del>CIS UNIT,<br/>FAX-T102 EXCEPT FOR GER,<br/>FAX-T104 EXCEPT FOR UK/FRA,<br/>FAX-T104S/FAX-T104B/FAX-T106S/FAX-T106B FOR ALL COUNTRIES</del>             | <del>+</del> | DEL     |
| 2       | LF3716001            | 1    | CIS HOLDER L  |              |         |
| 3       | LF8594001            | 1    | CIS HOLDER R  |              | chg     |
| 4       | LF3718001            | 2    | CIS SPRING  |              |         |
| 5       | LF8202001            | 1    | SHIELDING FILM  |              |         |
| 6       | 085310616            | 2    | TAPTITE, BIND B M3X6  |              | add     |
| 6       | <del>085310816</del> | 2    | <del>TAPTITE, BIND B M3X8,<br/>FAX-T102 EXCEPT FOR GER,<br/>FAX-T104 EXCEPT FOR UK/FRA,<br/>FAX-T104S/FAX-T104B/FAX-T106S/FAX-T106B FOR ALL COUNTRIES</del> |              | DEL     |

### 3. RECORDING

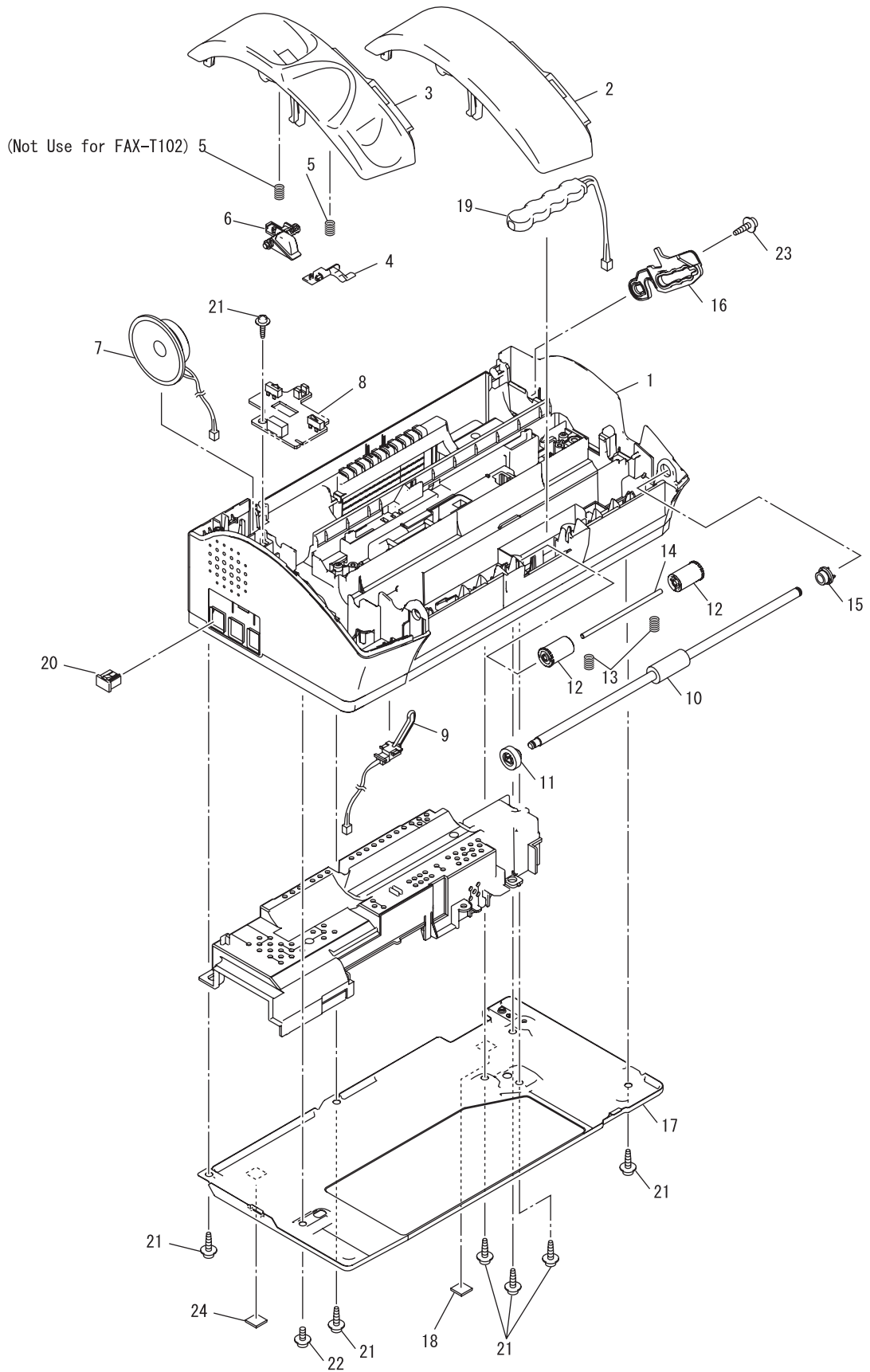




## LIST3(RECORDING)

| REF No. | CODE      | QTY | DESCRIPTION         | RECOMMEND | REMARKS |
|---------|-----------|-----|---------------------|-----------|---------|
| 1       | LF3719001 | 1   | RECORDER FRAME      |           |         |
| 2       | 087310815 | 2   | TAPTITE, CUP B M3X8 |           |         |
| 3       | LF3720001 | 1   | RECORDING HEAD ASSY | √         |         |
| 4       | UF8072001 | 3   | HEAD SPRING         |           |         |
| 5       | U24014002 | 1   | TAPTITE, CUP S M3X6 |           | CHG     |

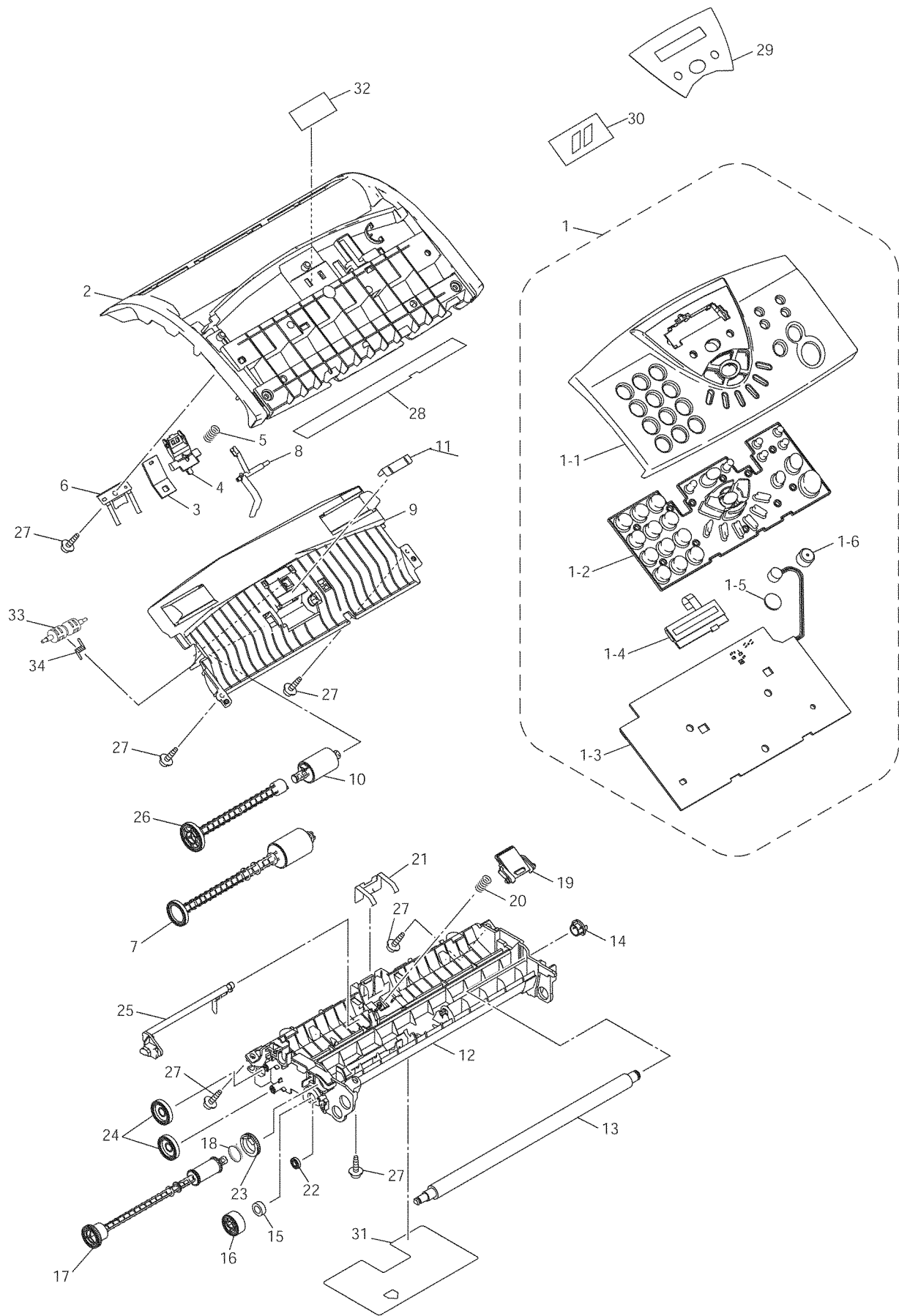
# 4. COVER



## LIST4(COVER)

| REF No. | CODE      | QTY | DESCRIPTION  | RECOMMEND | REMARKS |
|---------|-----------|-----|--|-----------|---------|
| 1       | LF3877001 | 1   | MAIN COVER, FAX-T102                                   |           |         |
| 1       | LF3724001 | 1   | MAIN COVER, FAX-T104/T106                              |           |         |
| 2       | LF3878001 | 1   | DUMMY MOUNT, FAX-T102                                  |           |         |
| 3       | LF3726001 | 1   | HANDSET MOUNT, GRAY(1686), FAX-T104/T106               |           |         |
| 3       | LF3726002 | 1   | HANDSET MOUNT, GRAY(1735), FAX-T104S/T104B/T106S/T106B |           |         |
| 4       | LF3727001 | 1   | COVER OPEN SENSOR ACTUATOR                             |           |         |
| 5       | LE5267001 | 1   | ACTUATOR SPRING, FAX-T102                              |           |         |
| 5       | LE5267001 | 2   | ACTUATOR SPRING, FAX-T104/T106                         |           |         |
| 6       | LF3728001 | 1   | HOOK SWITCH ACTUATOR, FAX-T104/T106                    |           |         |
| 7       | LG6010001 | 1   | SPEAKER ASSY   |           |         |
| 8       | LG5652001 | 1   | SENSOR PCB ASSY, FAX-T104/T104S/T104B/T106/T106S/T106B |           | ADD     |
| 8       | LG5652002 | 1   | SENSOR PCB ASSY, FAX-T102                              |           |         |
| 9       | LG5656001 | 1   | RIBBON SW  |           |         |
| 10      | LF3729001 | 1   | DOCUMENT EJECTION ROLLER                               |           |         |
| 11      | LF3731001 | 1   | EJECTION ROLLER GEAR                                   |           |         |
| 12      | LF3732001 | 2   | PINCH ROLLER   |           |         |
| 13      | LF3733001 | 2   | PINCH ROLLER SPRING                                    |           |         |
| 14      | LF3734001 | 1   | PINCH ROLLER SHAFT                                     |           |         |
| 15      | UF0026001 | 1   | PAWL BUSHING   |           |         |
| 16      | LF3735001 | 1   | COVER STOPPER LINK                                     |           |         |
| 17      | LF3736001 | 1   | BOTTOM PLATE   |           |         |
| 18      | UF6761001 | 1   | RUBBER   |           | chg     |
| 19      | LG5438001 | 1   | BATTERY ASSY, FAX-T106                                 |           |         |
| 20      | UF5745000 | 1   | MJ COVER, EXT FOR GER/UK/FRA/BEL/AUS/ITA               |           |         |
| 21      | 087311016 | 7   | TAPTITE, CUP B M3X10                                   |           |         |
| 22      | U24014003 | 1   | TAPTITE, CUP S M3.0X6                                  |           | chg     |
| 23      | LE4199001 | 1   | TAPTITE, PAN B M4X6D10                                 |           |         |
| 24      | LF8490001 | 1   | RUBBER T8  |           | add     |

# 5. CONTROL PANEL



LIST5(CONTROL PANEL)

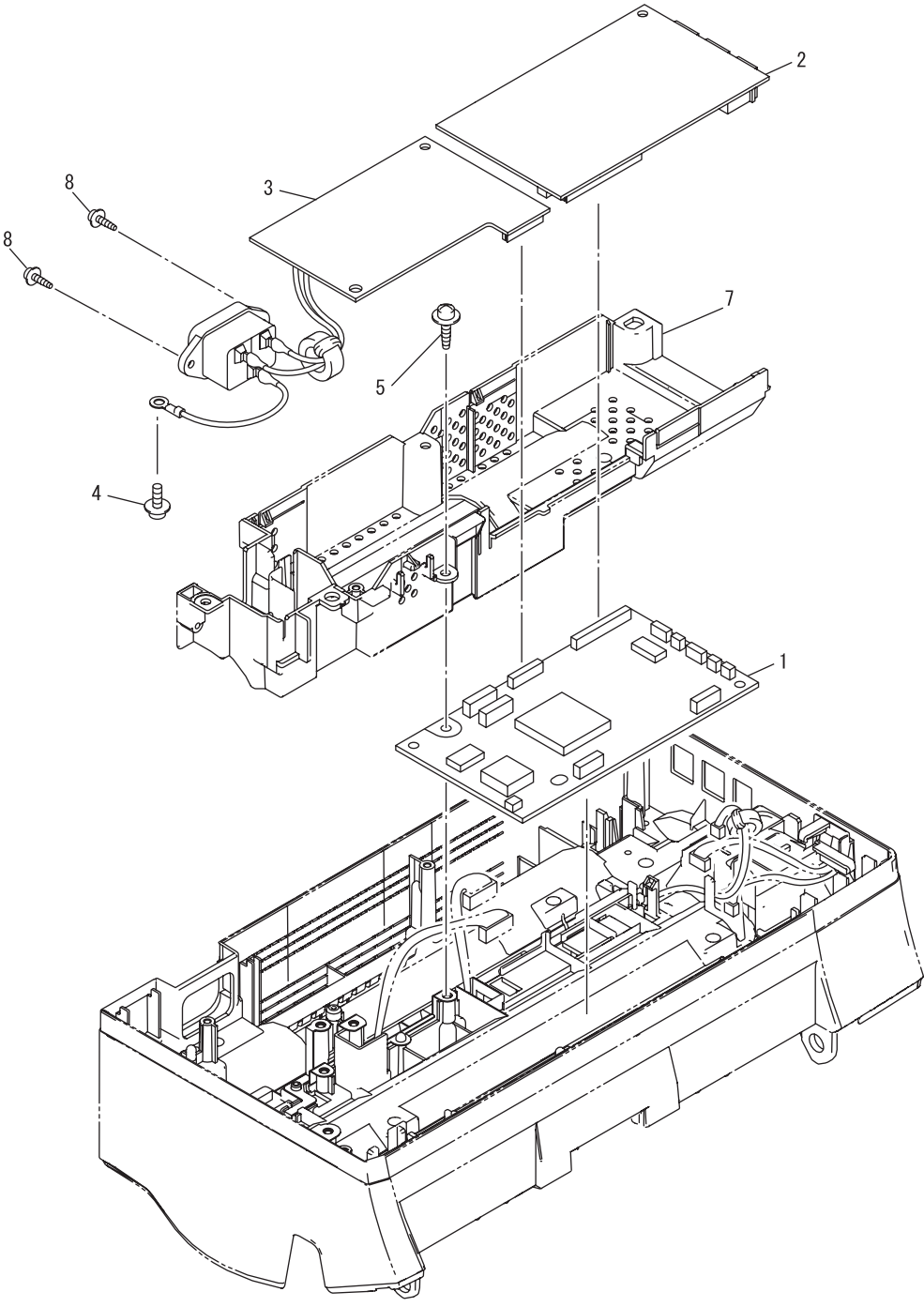
| REF No. | CODE      | QTY | DESCRIPTION  | RECOMMEND | SYMBOL  | REMARKS |
|---------|-----------|-----|--|-----------|---------|---------|
| 1       | LF3881001 | 1   | CONTROL PANEL ASSY, FAX-T102 FOR GER/AUS   | √         |         |         |
| 1       | LF3846001 | 1   | CONTROL PANEL ASSY, FAX-T104 FOR GER/AUS   | √         |         |         |
| 1       | LF3846002 | 1   | CONTROL PANEL ASSY, METALLIC SILVER(1562), FAX-T104S                                       | √         |         |         |
| 1       | LF3846003 | 1   | CONTROL PANEL ASSY, GRAY(1735), FAX-T104B  | √         |         |         |
| 1       | LF3862001 | 1   | CONTROL PANEL ASSY, FAX-T106 FOR GER/AUS   | √         |         |         |
| 1       | LF3862002 | 1   | CONTROL PANEL ASSY, METALLIC SILVER(1562), FAX-T106S                                       | √         |         |         |
| 1       | LF3862003 | 1   | CONTROL PANEL ASSY, GRAY(1735), FAX-T106B  | √         |         |         |
| 1       | LF3743001 | 1   | CONTROL PANEL ASSY, FAX-T104 FOR UK/BEL/CHE/IRE/GNR  | √         |         |         |
| 1       | LF3830001 | 1   | CONTROL PANEL ASSY, FAX-T106 FOR UK/BEL/CHE/IRE/GNR  | √         |         |         |
| 1       | LF3902001 | 1   | CONTROL PANEL ASSY, FAX-T102 FOR FRA   | √         |         |         |
| 1       | LF3854001 | 1   | CONTROL PANEL ASSY, FAX-T104 FOR FRA   | √         |         |         |
| 1       | LF3873001 | 1   | CONTROL PANEL ASSY, FAX-T106 FOR FRA   | √         |         |         |
| 1       | LF3951001 | 1   | CONTROL PANEL ASSY, FAX-T104 FOR NLD   | √         |         |         |
| 1       | LF3991001 | 1   | CONTROL PANEL ASSY, FAX-T106 FOR NLD   | √         |         |         |
| 1       | LF3907001 | 1   | CONTROL PANEL ASSY, FAX-T102 FOR CHE   | √         |         |         |
| 1       | LF8035001 | 1   | CONTROL PANEL ASSY, FAX-T104 FOR DEN/PND   | √         |         |         |
| 1       | LF8058001 | 1   | CONTROL PANEL ASSY, FAX-T106 FOR DEN/PND   | √         |         |         |
| 1       | LF3963001 | 1   | CONTROL PANEL ASSY, FAX-T104 FOR SPA   | √         |         |         |
| 1       | LF8001001 | 1   | CONTROL PANEL ASSY, FAX-T106 FOR SPA   | √         |         |         |
| 1       | LF3970001 | 1   | CONTROL PANEL ASSY, FAX-T104 FOR ITA   | √         |         |         |
| 1       | LF8007001 | 1   | CONTROL PANEL ASSY, FAX-T106 FOR ITA   | √         |         |         |
| 1       | LF3977001 | 1   | CONTROL PANEL ASSY, FAX-T104 FOR POR   | √         |         |         |
| 1       | LF8013001 | 1   | CONTROL PANEL ASSY, FAX-T106 FOR POR   | √         |         |         |
| 1       | LF8041001 | 1   | CONTROL PANEL ASSY, FAX-T104 FOR EEU   | √         |         |         |
| 1       | LF8062001 | 1   | CONTROL PANEL ASSY, FAX-T106 FOR EEU   | √         |         |         |
| 1       | LF8438001 | 1   | CONTROL PANEL ASSY, FAX-T104 FOR RUS   | √         |         | add     |
| 1       | LF8446001 | 1   | CONTROL PANEL ASSY, FAX-T106 FOR RUS   | √         |         | add     |
| 1-1     | LF3882001 | 1   | PRINTED PANEL COVER, FAX-T102 FOR GER/AUS  |           |         |         |
| 1-1     | LF3847001 | 1   | PRINTED PANEL COVER, FAX-T104 FOR GER/AUS  |           |         |         |
| 1-1     | LF3847002 | 1   | PRINTED PANEL COVER, METALLIC SILVER(1562), FAX-T104S                                      |           |         |         |
| 1-1     | LF3847003 | 1   | PRINTED PANEL COVER, GRAY(1735), FAX-T104B   |           |         |         |
| 1-1     | LF3863001 | 1   | PRINTED PANEL COVER, FAX-T106 FOR GER/AUS  |           |         |         |
| 1-1     | LF3863002 | 1   | PRINTED PANEL COVER, METALLIC SILVER(1562), FAX-T106S                                      |           |         |         |
| 1-1     | LF3863003 | 1   | PRINTED PANEL COVER, GRAY(1735), FAX-T106B   |           |         |         |
| 1-1     | LF3744001 | 1   | PRINTED PANEL COVER, FAX-T104 FOR UK/BEL/CHE/IRE/GNR                                       |           |         |         |
| 1-1     | LF3831001 | 1   | PRINTED PANEL COVER, FAX-T106 FOR UK/BEL/CHE/IRE/GNR                                       |           |         |         |
| 1-1     | LF3903001 | 1   | PRINTED PANEL COVER, FAX-T102 FOR FRA  |           |         |         |
| 1-1     | LF3855001 | 1   | PRINTED PANEL COVER, FAX-T104 FOR FRA  |           |         |         |
| 1-1     | LF3874001 | 1   | PRINTED PANEL COVER, FAX-T106 FOR FRA  |           |         |         |
| 1-1     | LF3952001 | 1   | PRINTED PANEL COVER, FAX-T104 FOR NLD  |           |         |         |
| 1-1     | LF3992001 | 1   | PRINTED PANEL COVER, FAX-T106 FOR NLD  |           |         |         |
| 1-1     | LF3908001 | 1   | PRINTED PANEL COVER, FAX-T102 FOR CHE  |           |         |         |
| 1-1     | LF8036001 | 1   | PRINTED PANEL COVER, FAX-T104 FOR DEN/PND  |           |         |         |
| 1-1     | LF8059001 | 1   | PRINTED PANEL COVER, FAX-T106 FOR DEN/PND  |           |         |         |
| 1-1     | LF3964001 | 1   | PRINTED PANEL COVER, FAX-T104 FOR SPA  |           |         |         |
| 1-1     | LF8002001 | 1   | PRINTED PANEL COVER, FAX-T106 FOR SPA  |           |         |         |
| 1-1     | LF3971001 | 1   | PRINTED PANEL COVER, FAX-T104 FOR ITA  |           |         |         |
| 1-1     | LF8008001 | 1   | PRINTED PANEL COVER, FAX-T106 FOR ITA  |           |         |         |
| 1-1     | LF3978001 | 1   | PRINTED PANEL COVER, FAX-T104 FOR POR  |           |         |         |
| 1-1     | LF8014001 | 1   | PRINTED PANEL COVER, FAX-T106 FOR POR  |           |         |         |
| 1-1     | LF8042001 | 1   | PRINTED PANEL COVER, FAX-T104 FOR EEU  |           |         |         |
| 1-1     | LF8063001 | 1   | PRINTED PANEL COVER, FAX-T106 FOR EEU  |           |         |         |
| 1-1     | LF8439001 | 1   | PRINTED PANEL COVER, FAX-T104 FOR RUS  |           |         | add     |
| 1-1     | LF8447001 | 1   | PRINTED PANEL COVER, FAX-T106 FOR RUS  |           |         | add     |
| 1-2     | LF3740001 | 1   | RUBBER KEYPAD, FAX-T102/T104 FOR GER/AUS, FAX-T104S  |           |         |         |
| 1-2     | LF3740003 | 1   | RUBBER KEYPAD, FAX-T104B   |           |         |         |
| 1-2     | LF3864001 | 1   | RUBBER KEYPAD, FAX-T106 FOR GER/AUS, FAX-T106S   |           |         |         |
| 1-2     | LF3864003 | 1   | RUBBER KEYPAD, FAX-T106B   |           |         |         |
| 1-2     | LF3746001 | 1   | RUBBER KEYPAD, FAX-T102/T104 FOR<br>UK/FRA/BEL/NLD/CHE/IRE/DEN/SPA/ITA/POR/EEU/RUS/PND/GNR |           |         |         |
| 1-2     | LF3832001 | 1   | RUBBER KEYPAD, FAX-T106 FOR<br>UK/FRA/BEL/NLD/CHE/IRE/DEN/SPA/ITA/EEU/RUS/PND/GNR          |           |         |         |
| 1-3     | LG5659001 | 1   | CONTROL PANEL PCB ASSY, FAX-T102/T104/T104S/T104B  |           | B53K765 |         |
| 1-3     | LG5659002 | 1   | CONTROL PANEL PCB ASSY, FAX-T106/T106S/T106B   |           | B53K765 |         |
| 1-4     | LG5341001 | 1   | LCD  |           |         |         |
| 1-5     | UF9993001 | 1   | MIC RUBBER, FAX-T106/T106S/T106B   |           |         |         |
| 1-6     | UF6916001 | 1   | MIC COVER, FAX-T106/T106S/T106B  |           |         |         |

FAX-T102/FAX-T104/FAX-T104S/FAX-T104B  
FAX-T106/FAX-T106S/FAX-T106B

## LIST5(CONTROL PANEL)

| REF No. | CODE      | QTY | DESCRIPTION  | RECOMMEND | SYMBOL | REMARKS |
|---------|-----------|-----|--|-----------|--------|---------|
| 2       | LF3749001 | 1   | TOP COVER  |           |        |         |
| 3       | LF3751001 | 1   | SEPARATION RUBBER                                  |           |        |         |
| 4       | LF3753001 | 1   | ADF HOLDER   |           |        |         |
| 5       | LF3754001 | 1   | ADF SPRING   |           |        |         |
| 6       | LF3755001 | 1   | ADF LEAF SPRING                                    |           |        |         |
| 7       | LF3756001 | 1   | PAPER FEED ROLLER ASSY                             |           |        |         |
| 8       | LF3759001 | 1   | DOCUMENT REAR SENSOR ACTUATOR                      |           |        |         |
| 9       | LF3761001 | 1   | DOCUMENT CHUTE ASSY                                |           |        |         |
| 10      | LF3766001 | 1   | DOCUMENT SEPARATION ROLLER ASSY                    |           |        |         |
| 11      | LF3824001 | 1   | DOCUMENT SUPPORT                                   |           |        |         |
| 12      | LS9055001 | 1   | PAPER CHUTE ASSY                                   |           |        | CHG     |
| 13      | LF3773001 | 1   | PLATEN   |           |        |         |
| 14      | LF8467001 | 1   | PAWL BUSHING R                                     |           |        | chg     |
| 15      | LF8243001 | 1   | BUSHING L  |           |        |         |
| 16      | LF3776001 | 1   | PLATEN GEAR  |           |        |         |
| 17      | LF3777001 | 1   | PAPER EJECTION ROLLER                              |           |        |         |
| 18      | LF3960001 | 1   | CLUTCH SPRING                                      |           |        |         |
| 19      | LF8257001 | 1   | ACF HOLDER ASSY                                    |           |        |         |
| 20      | LF3781001 | 1   | ACF SPRING   |           |        |         |
| 21      | LF3784001 | 1   | SHEET FEEDER LEAF SPRING                           |           |        |         |
| 22      | LF3958001 | 1   | GEAR, 10   |           |        |         |
| 23      | LF3959001 | 1   | GEAR, 22   |           |        |         |
| 24      | LF3785001 | 2   | GEAR, 24   |           |        |         |
| 25      | LF3790001 | 1   | REGISTRATION SENSOR ACTUATOR                       |           |        |         |
| 26      | LF3765001 | 1   | SEPARATION ROLLER GEAR 29                          |           |        |         |
| 27      | 087310815 | 6   | TAPTITE CUP B M3X8                                 |           |        |         |
| 28      | LF3760001 | 1   | WHITE TAPE   |           |        |         |
| 29      | LF3883001 | 1   | LCD SHEET, FAX-T102                                | √         |        |         |
| 29      | LF3791001 | 1   | LCD SHEET, FAX-T104                                | √         |        |         |
| 29      | LF8306001 | 1   | LCD SHEET, FAX-T104S                               | √         |        |         |
| 29      | LF8308001 | 1   | LCD SHEET, FAX-T104B                               | √         |        |         |
| 29      | LF3865001 | 1   | LCD SHEET, FAX-T106 FOR GER/AUS                    | √         |        |         |
| 29      | LF8307001 | 1   | LCD SHEET, FAX-T106S                               | √         |        |         |
| 29      | LF8309001 | 1   | LCD SHEET, FAX-T106B                               | √         |        |         |
| 29      | LF3834001 | 1   | LCD SHEET, FAX-T106 FOR UK/BEL/CHE/IRE/DEN/PND/GNR | √         |        |         |
| 29      | LF3875001 | 1   | LCD SHEET, FAX-T106 FOR FRA                        | √         |        |         |
| 29      | LF3993001 | 1   | LCD SHEET, FAX-T106 FOR NLD                        | √         |        |         |
| 29      | LF8003001 | 1   | LCD SHEET, FAX-T106 FOR SPA                        | √         |        |         |
| 29      | LF8009001 | 1   | LCD SHEET, FAX-T106 FOR ITA                        | √         |        |         |
| 29      | LF8015001 | 1   | LCD SHEET, FAX-T106 FOR POR                        | √         |        |         |
| 29      | LF8064001 | 1   | LCD SHEET, FAX-T106 FOR EEU                        | √         |        |         |
| 29      | LF8444001 | 1   | LCD SHEET, FAX-T106 FOR RUS                        | √         |        | add     |
| 30      | LF3813001 | 1   | ADDRESS LABEL                                      |           |        |         |
| 31      | LF8256001 | 1   | CHUTE FILM   |           |        | add     |
| 32      | LP4039001 | 1   | PROTECT SHEET, FOR RUS                             |           |        | add     |
| 33      | LF3769001 | 1   | PRESSURE ROLLER                                    |           |        | add     |
| 34      | L37700001 | 1   | PRESSURE ROLLER SPRING                             |           |        | add     |

6. PCB

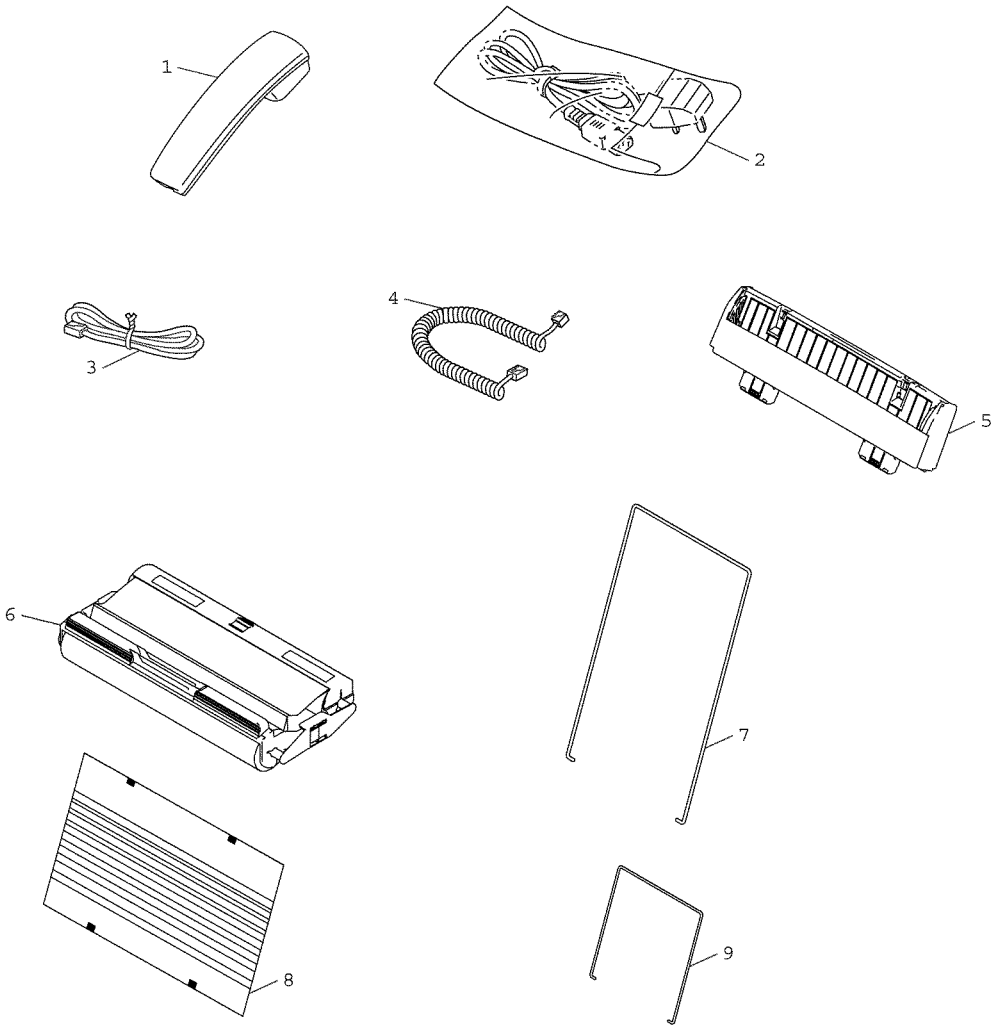


## LIST6(PCB)

| REF No. | CODE      | Q'TY | DESCRIPTION  | RECOMMEND | SYMBOL  | REMARKS |
|---------|-----------|------|--|-----------|---------|---------|
| 1       | LG6788001 | 1    | MAIN PCB ASSY, FAX-T102 FOR GER/FRA/CHE/AUS,<br>FAX-T104 FOR GER/UK/FRA/NLD/IRE/AUS/SPA/ITA/<br>POR/RUS/GNR, FAX-T104S/T104B | √         | B53K761 | chg     |
| 1       | LG6793001 | 1    | MAIN PCB ASSY, FAX-T106 FOR GER/UK/FRA/NLD/IRE/<br>AUS/SPA/ITA/POR/RUS/GNR. FAX-T106S/T106B                                  | √         | B53K762 | chg     |
| 1       | LG6788002 | 1    | MAIN PCB ASSY, FAX-T104 FOR  | √         | B53K761 | chg     |
| 1       | LG6793002 | 1    | MAIN PCB ASSY, FAX-T106 FOR  | √         | B53K762 | chg     |
| 4       | LG5665022 | 4    | MAIN PCB ASSY, FAX-T104 FOR GER/AUS,<br>FAX-T104S/T104B  | ↓         | B53K764 | del     |
| 4       | LG5665024 | 4    | MAIN PCB ASSY, FAX-T104 FOR UK/GNR   | ↓         | B53K764 | del     |
| 4       | LG5704035 | 4    | MAIN PCB ASSY, FAX-T106 FOR UK/GNR   | ↓         | B53K762 | del     |
| 4       | LG5665073 | 4    | MAIN PCB ASSY, FAX-T102 FOR FRA  | ↓         | B53K764 | del     |
| 4       | LG5665023 | 4    | MAIN PCB ASSY, FAX-T104 FOR FRA  | ↓         | B53K764 | del     |
| 4       | LG5704037 | 4    | MAIN PCB ASSY, FAX-T106 FOR FRA  | ↓         | B53K762 | del     |
| 4       | LG5665025 | 4    | MAIN PCB ASSY, FAX-T104 FOR NLD  | ↓         | B53K764 | del     |
| 4       | LG5704039 | 4    | MAIN PCB ASSY, FAX-T106 FOR NLD  | ↓         | B53K762 | del     |
| 4       | LG5665074 | 4    | MAIN PCB ASSY, FAX-T102 FOR CHE  | ↓         | B53K764 | del     |
| 4       | LG5665026 | 4    | MAIN PCB ASSY, FAX-T104 FOR IRE/ITA  | ↓         | B53K764 | del     |
| 4       | LG5704040 | 4    | MAIN PCB ASSY, FAX-T106 FOR IRE  | ↓         | B53K762 | del     |
| 4       | LG5665028 | 4    | MAIN PCB ASSY, FAX-T104 FOR DEN/PND  | ↓         | B53K764 | del     |
| 4       | LG5704044 | 4    | MAIN PCB ASSY, FAX-T106 FOR DEN/PND  | ↓         | B53K762 | del     |
| 4       | LG5665027 | 4    | MAIN PCB ASSY, FAX-T104 FOR SPA/POR  | ↓         | B53K764 | del     |
| 4       | LG5704041 | 4    | MAIN PCB ASSY, FAX-T106 FOR SPA  | ↓         | B53K762 | del     |
| 4       | LG5704042 | 4    | MAIN PCB ASSY, FAX-T106 FOR ITA  | ↓         | B53K762 | del     |
| 4       | LG5704043 | 4    | MAIN PCB ASSY, FAX-T106 FOR POR  | ↓         | B53K762 | del     |
| 4       | LG5665029 | 4    | MAIN PCB ASSY, FAX-T104 FOR EEU  | ↓         | B53K764 | del     |
| 4       | LG5704045 | 4    | MAIN PCB ASSY, FAX-T106 FOR EEU  | ↓         | B53K762 | del     |
| 2       | LT0422071 | 1    | NCU PCB ASSY, FAX-T104/T104S/T104B/<br>T106/T106S/T106B FOR GER/AUS  | √         | B53K767 | chg     |
| 2       | LT0422075 | 1    | NCU PCB ASSY, FAX-T102 FOR GER/AUS   | √         | B53K767 | chg     |
| 2       | LT0422072 | 1    | NCU PCB ASSY, FAX-T104/T106<br>FOR UK/FRA/BEL/IRE/SPA/ITA/POR/RUS/EEU/GNR  | √         | B53K767 | chg     |
| 2       | LT0422076 | 1    | NCU PCB ASSY, FAX-T102 FOR FRA   | √         | B53K767 | chg     |
| 2       | LT0422073 | 1    | NCU PCB ASSY, FOR NLD/DEN/PND  | √         | B53K767 | chg     |
| 2       | LT0422074 | 1    | NCU PCB ASSY, FAX-T104/T106 FOR CHE  | √         | B53K767 | chg     |
| 2       | LT0422077 | 1    | NCU PCB ASSY, FAX-T102 FOR CHE   | √         | B53K767 | chg     |
| 3       | LT0760001 | 1    | POWER SUPPLY PCB ASSY  | √         |         | chg     |
| 4       | LF1884001 | 1    | SCREW, PAN (WASHER) M4X7DB   |           |         |         |
| 5       | 087310815 | 1    | TAPTITE, CUP B M3X8  |           |         |         |
| (6)     | LT1249003 | 1    | OTPROM, FAX-T102 FOR GER/AUS   |           |         | chg     |
| (6)     | LT1411005 | 1    | OTPROM, FAX-T102 FOR FRA   |           |         | CHG     |
| (6)     | LT1416010 | 1    | OTPROM, FAX-T102 FOR CHE   |           |         | CHG     |
| (6)     | LT1415003 | 1    | OTPROM, FAX-T104 FOR GER/AUS, FAX-T104S/T104B  |           |         | CHG     |
| (6)     | LT1251004 | 1    | OTPROM, FAX-T104 FOR UK/GNR  |           |         | chg     |
| (6)     | LT1250005 | 1    | OTPROM, FAX-T104 FOR FRA   |           |         | chg     |
| (6)     | LT1417009 | 1    | OTPROM, FAX-T104 FOR NLD   |           |         | CHG     |
| (6)     | LT1410011 | 1    | OTPROM, FAX-T104 FOR IRE/ITA   |           |         | CHG     |
| (6)     | LT1409015 | 1    | OTPROM, FAX-T104 FOR SPA/POR   |           |         | CHG     |
| (6)     | LT1413008 | 1    | OTPROM, FAX-T104 FOR BEL/CHE   |           |         | CHG     |
| (6)     | LT1412057 | 1    | OTPROM, FAX-T104 FOR DEN/PND   |           |         | CHG     |
| (6)     | LT1418054 | 1    | OTPROM, FAX-T104 FOR EEU   |           |         | CHG     |
| (6)     | LT1425003 | 1    | OTPROM, FAX-T106 FOR GER/AUS, FAX-T106S/T106B  |           |         | CHG     |
| (6)     | LT1424004 | 1    | OTPROM, FAX-T106 FOR UK/GNR  |           |         | CHG     |
| (6)     | LT1423005 | 1    | OTPROM, FAX-T106 FOR FRA   |           |         | CHG     |
| (6)     | LT1438009 | 1    | OTPROM, FAX-T106 FOR NLD   |           |         | CHG     |
| (6)     | LT1437011 | 1    | OTPROM, FAX-T106 FOR IRE   |           |         | CHG     |
| (6)     | LT1431015 | 1    | OTPROM, FAX-T106 FOR SPA   |           |         | CHG     |
| (6)     | LT1435016 | 1    | OTPROM, FAX-T106 FOR ITA   |           |         | CHG     |
| (6)     | LT1439018 | 1    | OTPROM, FAX-T106 FOR POR   |           |         | CHG     |
| (6)     | LT1432008 | 1    | OTPROM, FAX-T106 FOR BEL/CHE   |           |         | CHG     |
| (6)     | LT1419048 | 1    | OTPROM, FAX-T104 FOR RUS   |           |         | CHG     |
| (6)     | LT1433048 | 1    | OTPROM, FAX-T106 FOR RUS   |           |         | CHG     |
| (6)     | LT1434057 | 1    | OTPROM, FAX-T106 FOR DEN/PND   |           |         | CHG     |
| (6)     | LT1436054 | 1    | OTPROM, FAX-T106 FOR EEU   |           |         | CHG     |
| 7       | LS9433001 | 1    | ENCLOSURE COVER N  |           |         | add     |
| 8       | 087310815 | 2    | TAPTITE CUP B M3X8   |           |         | add     |



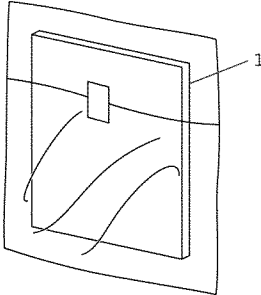
7. ACCESSORIES



## LIST7(Accessories)

| REF No. | CODE      | Q'TY | DESCRIPTION  | RECOMMEND | REMARKS |
|---------|-----------|------|--|-----------|---------|
| 1       | LF3800001 | 1    | HANDSET ASSY, GRAY(1581), FAX-T104/T106                                      |           |         |
| 1       | LF8304001 | 1    | HANDSET ASSY, METALLIC SILVER(1562), FAX-T104S/T106S                         |           |         |
| 1       | LF3800003 | 1    | HANDSET ASSY, GRAY(1735), FAX-T104B/T106B                                    |           |         |
| 2       | LG5717001 | 1    | AC CORD BAG ASSY, VDE FOR<br>GER/FRA/BEL/NLD/AUS/SPA/ITA/POR/RUS/EEU/PND/GNR |           |         |
| 2       | LG5692001 | 1    | AC CORD BAG ASSY, UK FOR UK/IRE  |           |         |
| 2       | LT2260001 | 1    | AC CORD BAG ASSY, SEV FOR CHE  |           | CHG     |
| 2       | LG5736001 | 1    | AC CORD BAG ASSY, DEMKO FOR DEN  |           |         |
| 3       | UG3625001 | 1    | TELEPHONE LINE CORD, FOR GER   |           |         |
| 3       | UG3626001 | 1    | TELEPHONE LINE CORD, FOR UK  |           |         |
| 3       | UG3627001 | 1    | TELEPHONE LINE CORD, FOR FRA   |           |         |
| 3       | UG1575001 | 1    | TELEPHONE LINE CORD, FOR BEL   |           |         |
| 3       | LG3077001 | 1    | TELEPHONE LINE CORD, FOR NLD/IRE/SPA/POR/RUS/EEU/GNR                         |           |         |
| 3       | LG7202001 | 1    | TELEPHONE LINE CORD, FOR CHE   |           | chg     |
| 3       | LG5827001 | 1    | TELEPHONE LINE CORD, FOR DEN/PND   |           |         |
| 3       | UG4205001 | 1    | TELEPHONE LINE CORD, FOR AUS   |           |         |
| 3       | UG3634001 | 1    | TELEPHONE LINE CORD, FOR ITA   |           |         |
| 4       | LG3768004 | 1    | HANDSET CURLED CORD ASSY,<br>FAX-T104/T104S/T104B/T106/T106S/T106B           |           |         |
| 5       | LF3806001 | 1    | PAPER TRAY ASSY  |           |         |
| 6       | LF3793001 | 1    | STARTER PRINT CARTRIDGE ASSY, EXCEPT FOR RUS                                 |           |         |
| 7       | LF3814001 | 1    | PAPER WIRE EXTENSION   |           |         |
| 8       | UF8263001 | 1    | TEST CHART-027   |           |         |
| 9       | LF8269001 | 1    | DOCUMENT WIRE T8   |           | chg     |

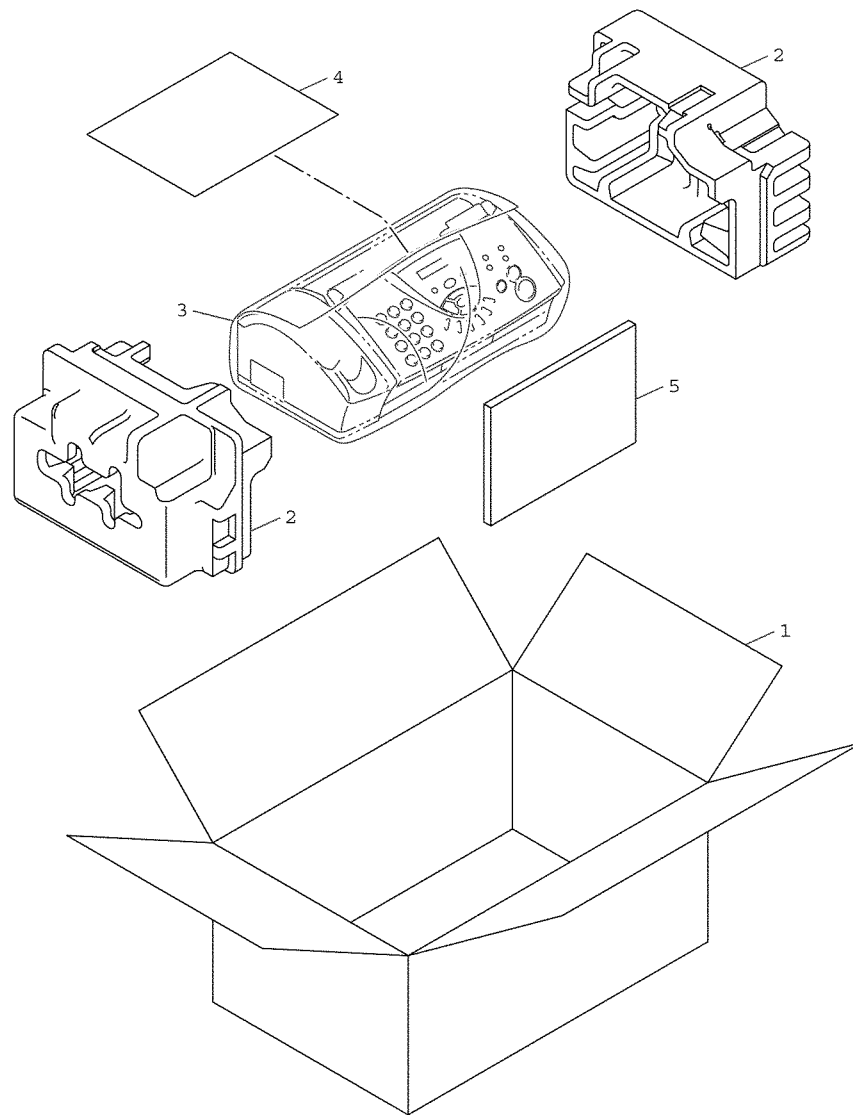
8. PRINTED MATERIAL



## LIST8(PRINTED MATERIAL)

| REF No. | CODE      | QTY | DESCRIPTION   | RECOMMEND | REMARKS |
|---------|-----------|-----|---|-----------|---------|
| 1       | LF3895003 | 1   | USER'S GUIDE, FAX-T102 FOR GER/AUS                  |           |         |
| 1       | LF3752003 | 1   | USER'S GUIDE, FAX-T104 FOR GER/AUS, FAX-T104S/T104B |           |         |
| 1       | LF3868003 | 1   | USER'S GUIDE, FAX-T106 FOR GER/AUS, FAX-T106S/T106B |           |         |
| 1       | LF3812004 | 1   | USER'S GUIDE FOR UK/IRE/GNR                         |           |         |
| 1       | LF3812005 | 1   | USER'S GUIDE FOR FRA                                |           |         |
| 1       | LF3812008 | 1   | USER'S GUIDE FOR BEL <DUTCH>                        |           |         |
| 1       | LF3911008 | 1   | USER'S GUIDE FOR BEL/CHE <FRENCH>                   |           |         |
| 1       | LF3812009 | 1   | USER'S GUIDE FOR NLD                                |           |         |
| 1       | LF3812010 | 1   | USER'S GUIDE FOR CHE <GERMAN>                       |           |         |
| 1       | LF3812013 | 1   | USER'S GUIDE FOR DEN/PND <DANISH>                   |           |         |
| 1       | LF3812015 | 1   | USER'S GUIDE FOR SPA                                |           |         |
| 1       | LF3812016 | 1   | USER'S GUIDE FOR ITA/CHE                            |           |         |
| 1       | LF3812018 | 1   | USER'S GUIDE FOR POR                                |           |         |
| 1       | LF8429048 | 1   | USER'S GUIDE FOR RUS                                |           | ADD     |
| 1       | LF3812037 | 1   | USER'S GUIDE FOR EEU <POLISH, CZECH, HUNGARIAN>     |           |         |
| 1       | LF3911037 | 1   | USER'S GUIDE FOR EEU <ENGLISH, BULGARIAN, ROMANIAN> |           |         |
| 1       | LF3812007 | 1   | USER'S GUIDE FOR PND <NORWEGIAN>                    |           |         |
| 1       | LF3812012 | 1   | USER'S GUIDE FOR PND <FINNISH>                      |           |         |
| 1       | LF3812026 | 1   | USER'S GUIDE FOR PND <SWEDISH>                      |           |         |

## 9. PACKING



## LIST9(PACKING)

| REF No. | CODE      | QTY | DESCRIPTION  | RECOMMEND | REMARKS |
|---------|-----------|-----|--|-----------|---------|
| 1       | LF3896001 | 1   | CARTON, BROTHER, FAX-T102                                | √         |         |
| 1       | LF3815001 | 1   | CARTON, BROTHER, FAX-T104                                | √         |         |
| 1       | LF3827001 | 1   | CARTON, BROTHER, FAX-T104S/T104B/T106S/T106B             | √         |         |
| 1       | LF3750001 | 1   | CARTON, BROTHER, FAX-T106                                | √         |         |
| 2       | LF3817001 | 1   | POLYSTYRENE FOAM ASSY                                    |           |         |
| 3       | LF8261001 | 1   | BAG  |           |         |
| 4       | LF8242001 | 1   | PROTECTION SHEET   |           |         |
| 5       | LF3898001 | 1   | QUICK SETUP GUIDE, FAX-T102 FOR GER/AUS                  |           |         |
| 5       | LF3851001 | 1   | QUICK SETUP GUIDE, FAX-T104 FOR GER/AUS, FAX-T104S/T104B |           |         |
| 5       | LF3870001 | 1   | QUICK SETUP GUIDE, FAX-T106 FOR GER/AUS, FAX-T106S/T106B |           |         |
| 5       | LF3822001 | 1   | QUICK SETUP GUIDE FOR UK/IRE/GNR                         |           |         |
| 5       | LF3859001 | 1   | QUICK SETUP GUIDE FOR FRA                                |           |         |
| 5       | LF3948001 | 1   | QUICK SETUP GUIDE FOR BEL <DUTCH>                        |           |         |
| 5       | LF3914001 | 1   | QUICK SETUP GUIDE FOR BEL/CHE <FRENCH>                   |           |         |
| 5       | LF3956001 | 1   | QUICK SETUP GUIDE FOR NLD                                |           |         |
| 5       | LF3913001 | 1   | QUICK SETUP GUIDE FOR CHE <GERMAN>                       |           |         |
| 5       | LF8039001 | 1   | QUICK SETUP GUIDE FOR DEN/PND <DANISH, FINNISH>          |           |         |
| 5       | LF3967001 | 1   | QUICK SETUP GUIDE FOR SPA                                |           |         |
| 5       | LF3974001 | 1   | QUICK SETUP GUIDE FOR ITA/CHE                            |           |         |
| 5       | LF3981001 | 1   | QUICK SETUP GUIDE FOR POR                                |           |         |
| 5       | LF8426001 | 1   | QUICK SETUP GUIDE FOR RUS                                |           | ADD     |
| 5       | LF8045001 | 1   | QUICK SETUP GUIDE FOR EEU <CZECH, HUNGARIAN>             |           |         |
| 5       | LF8046001 | 1   | QUICK SETUP GUIDE FOR EEU <POLISH, ENGLISH>              |           |         |
| 5       | LF8047001 | 1   | QUICK SETUP GUIDE FOR EEU <BULGARIAN, ROMANIAN>          |           |         |
| 5       | LF8051001 | 1   | QUICK SETUP GUIDE FOR PND <NORWEGIAN, SWEDISH>           |           |         |

**brother**<sup>®</sup>

PL-FAX098  
8X4600  
Ver.W-1