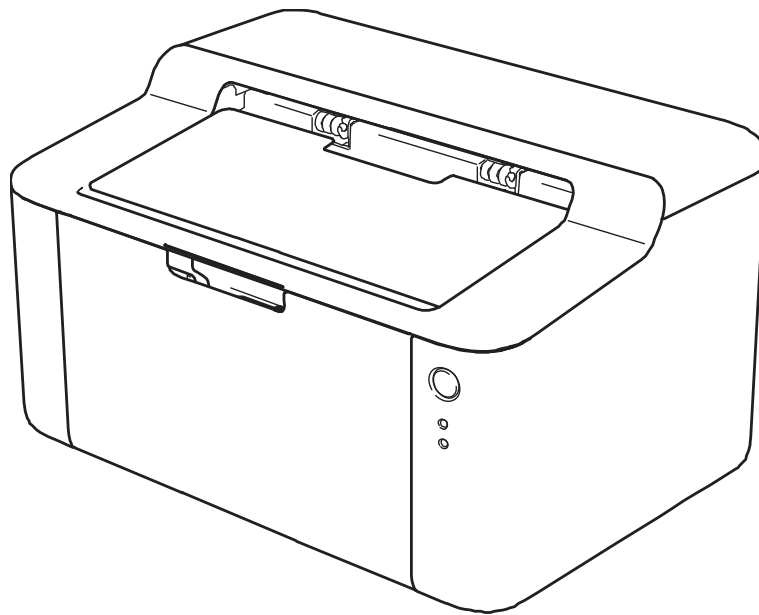




Laser Printer

PARTS REFERENCE LIST

MODEL:HL-1201/1202/1208



Read this list thoroughly before maintenance work.

Keep this list in a convenient place for quick and easy reference at all times.

NOTE FOR USING THIS PARTS REFERENCE LIST

1. In the case of ordering parts, it is necessary to mention the following items:

- (1) Code
- (2) Q'ty
- (3) Description

<Example>

REFNo.	(1) CODE	(2) Q'TY	(3) DESCRIPTION	MODEL	SPEC	REMARKS

2. Design-changed parts:

If any of the parts is changed, one of the following symbols is indicated in the REMARK column.

CHG (chg): The part is changed for a new one.

ADD (add): The part is newly added.

DEL (del): The part is deleted.

Symbol in capital letters indicates the latest parts change information in the page.

3. Parts change will be informed by the Parts change information.

4. Parts are subject to change in design without prior notice.

COUNTRIES & AREAS

VNM ----- VIETNAM

CHN ----- CHINA

IDN ----- INDONESIA

BRA ----- BRAZIL

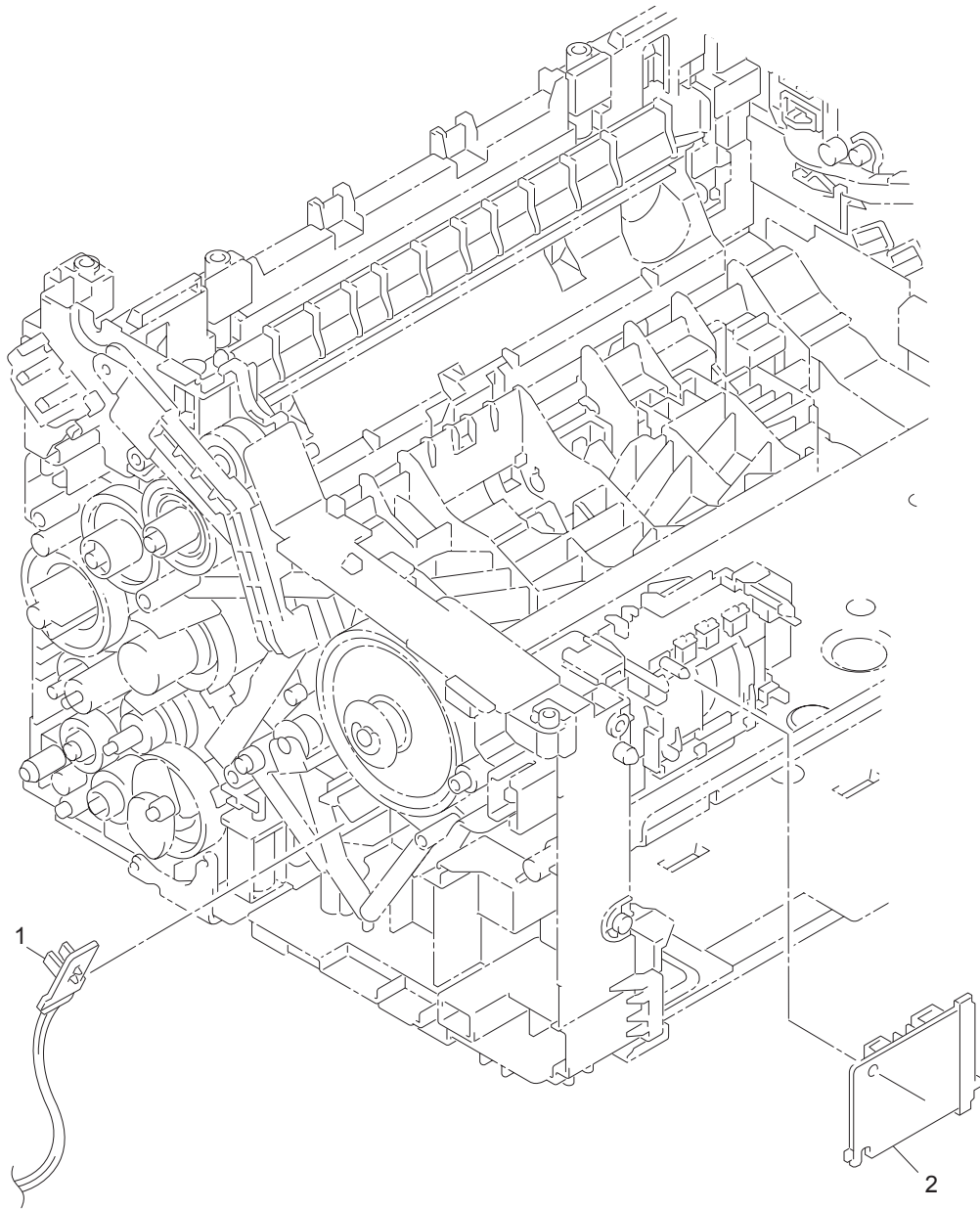
IND-----INDIA

PER ----- PERU

CONTENTS

1.	<u>FRAME L & DRIVE UNIT</u>	1
2.	<u>PAPER FEEDER</u>	3
3.	<u>FRAME</u>	5
4.	<u>LASER UNIT</u>	7
5.	<u>FUSER UNIT</u>	9
6.	<u>COVERS & LABELS</u>	11
7.	<u>PCB</u>	13
8.	<u>OPTION</u>	15
9.	<u>ACCESSORIES</u>	17
10.	<u>PACKING MATERIALS</u>	19

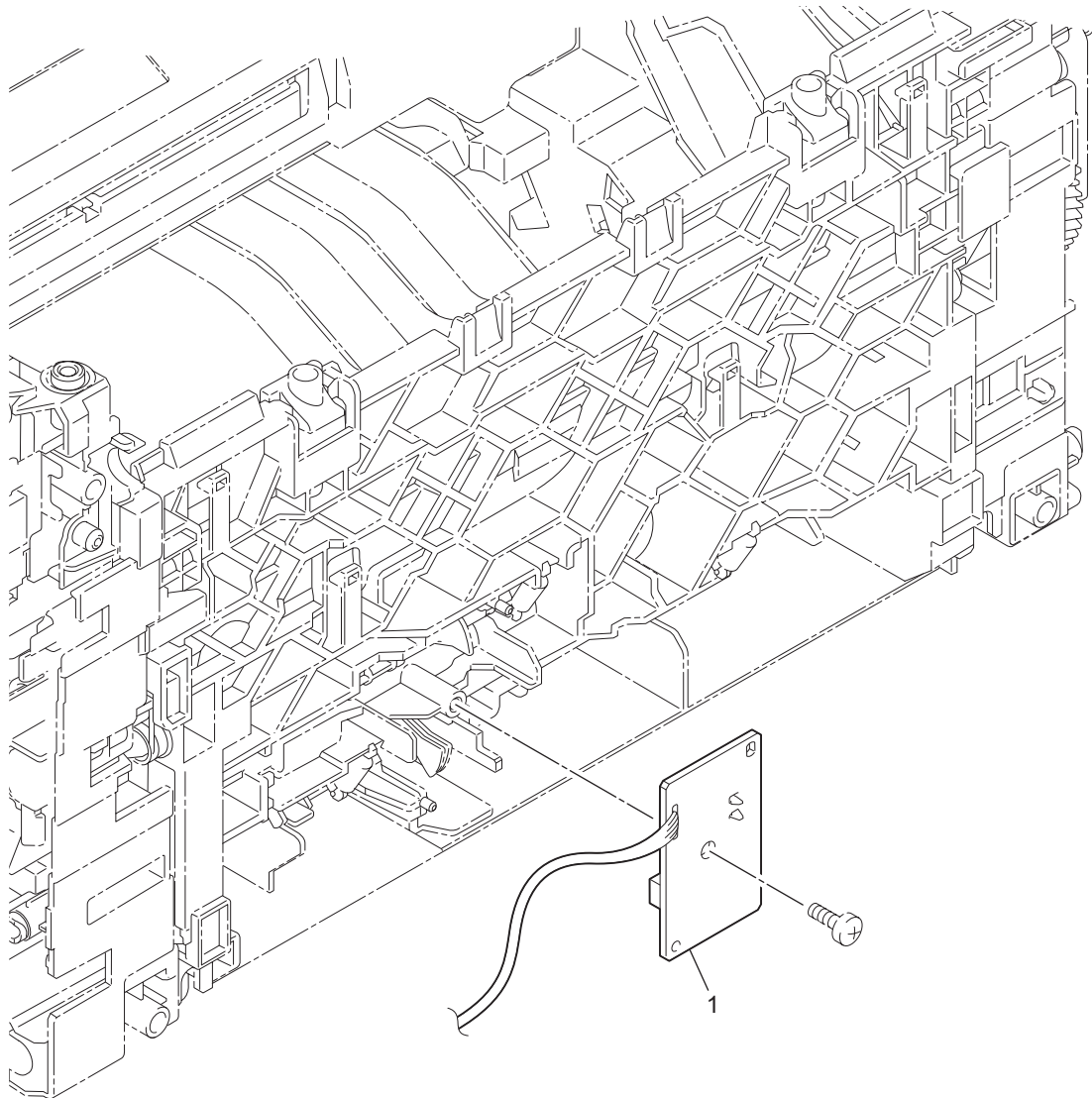
1. FRAME L & DRIVE UNIT



1. FRAME L & DRIVE UNIT

REF No.	CODE	QTY	DESCRIPTION	MODEL	SPEC	REMARKS
1	LV1004001	1	NEW TONER SENSOR PCB ASSY			
2	LV0997001	1	MOTOR ENCODER PCB ASSY			

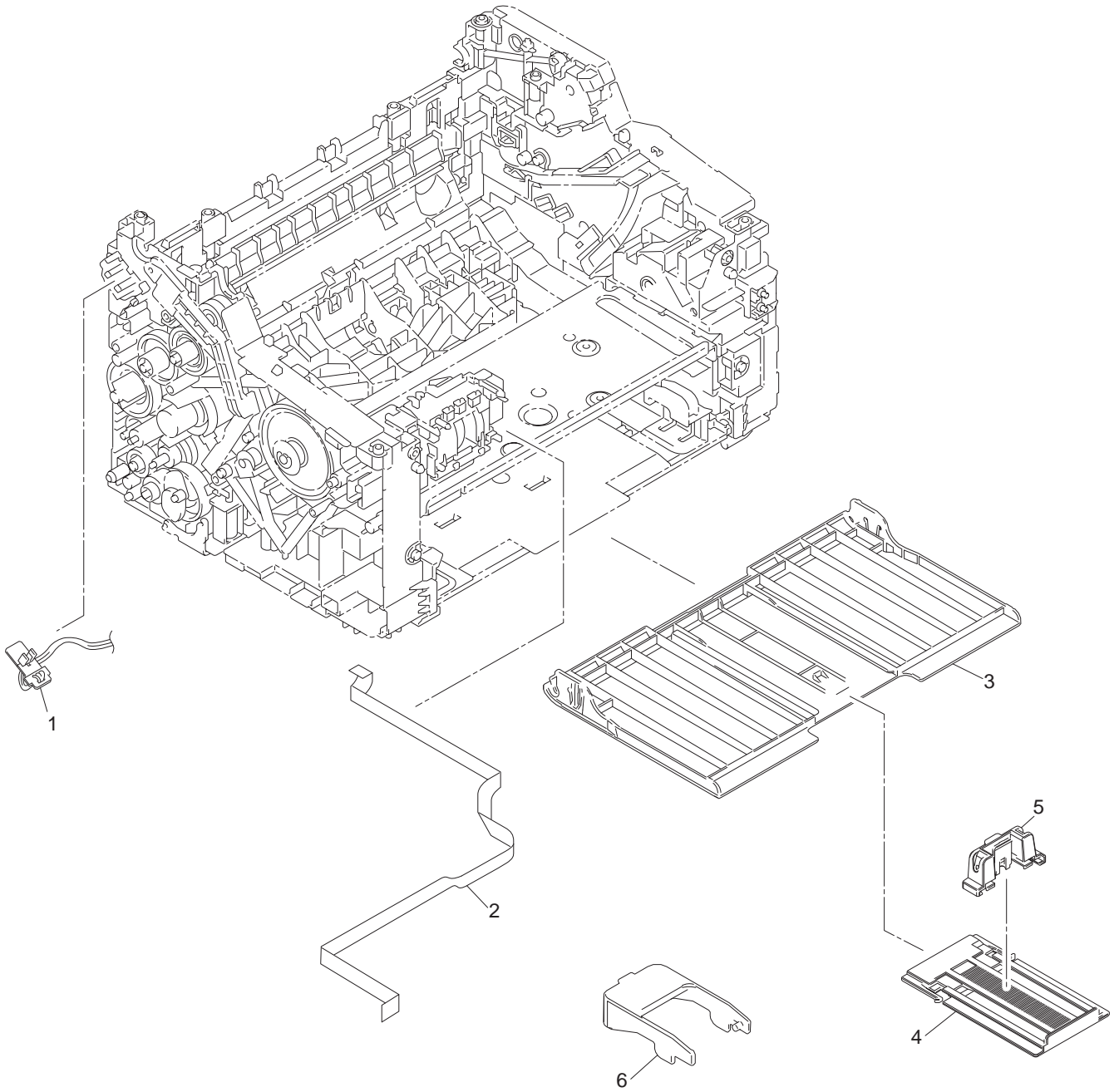
2. PAPER FEEDER



2. PAPER FEEDER

REF No.	CODE	QTY	DESCRIPTION	MODEL	SPEC	REMARKS
1	LV1002001	1	PAPER FEED/PAPER PRINTING POSITION SENSOR PCB ASSY			

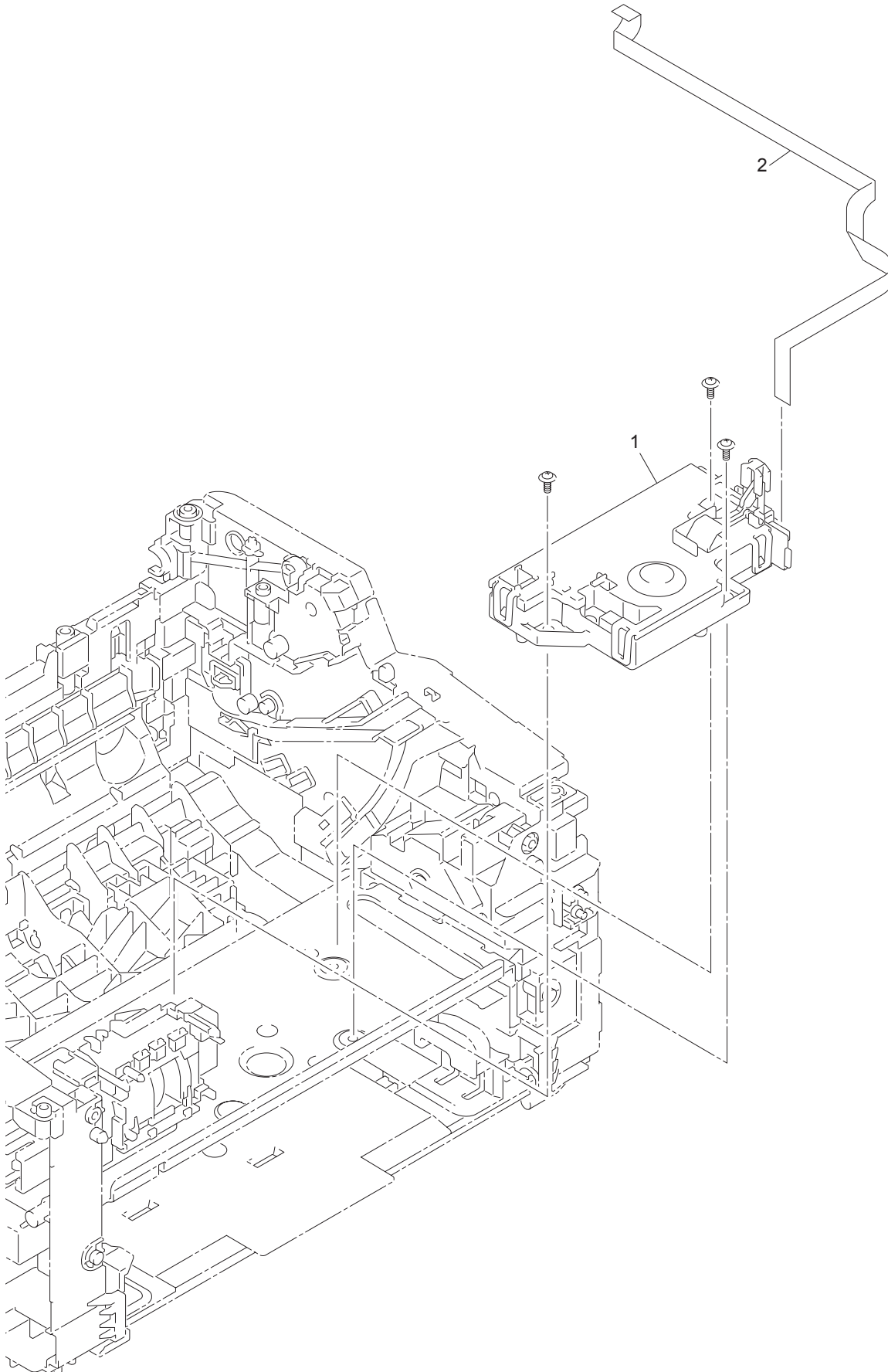
3. FRAME



3. FRAME

REF No.	CODE	QTY	DESCRIPTION	MODEL	SPEC	REMARKS
1	LV0996001	1	EJECT SENSOR PCB ASSY			
2	LV1003001	1	MOTOR ENCODER PCB FLAT CABLE			
3	LJA176001	1	TRAY COVER ASSY	HL-1201		
3	LJA072001	1	TRAY COVER ASSY	HL-1202		
3	LJA071001	1	TRAY COVER ASSY	HL-1208		
4	LJA011001	1	PAPER REAR GUIDE 1			
5	LJA012001	1	PAPER REAR GUIDE 2			
6	LJA069001	1	PAPER REAR GUIDE 3 ASSY			

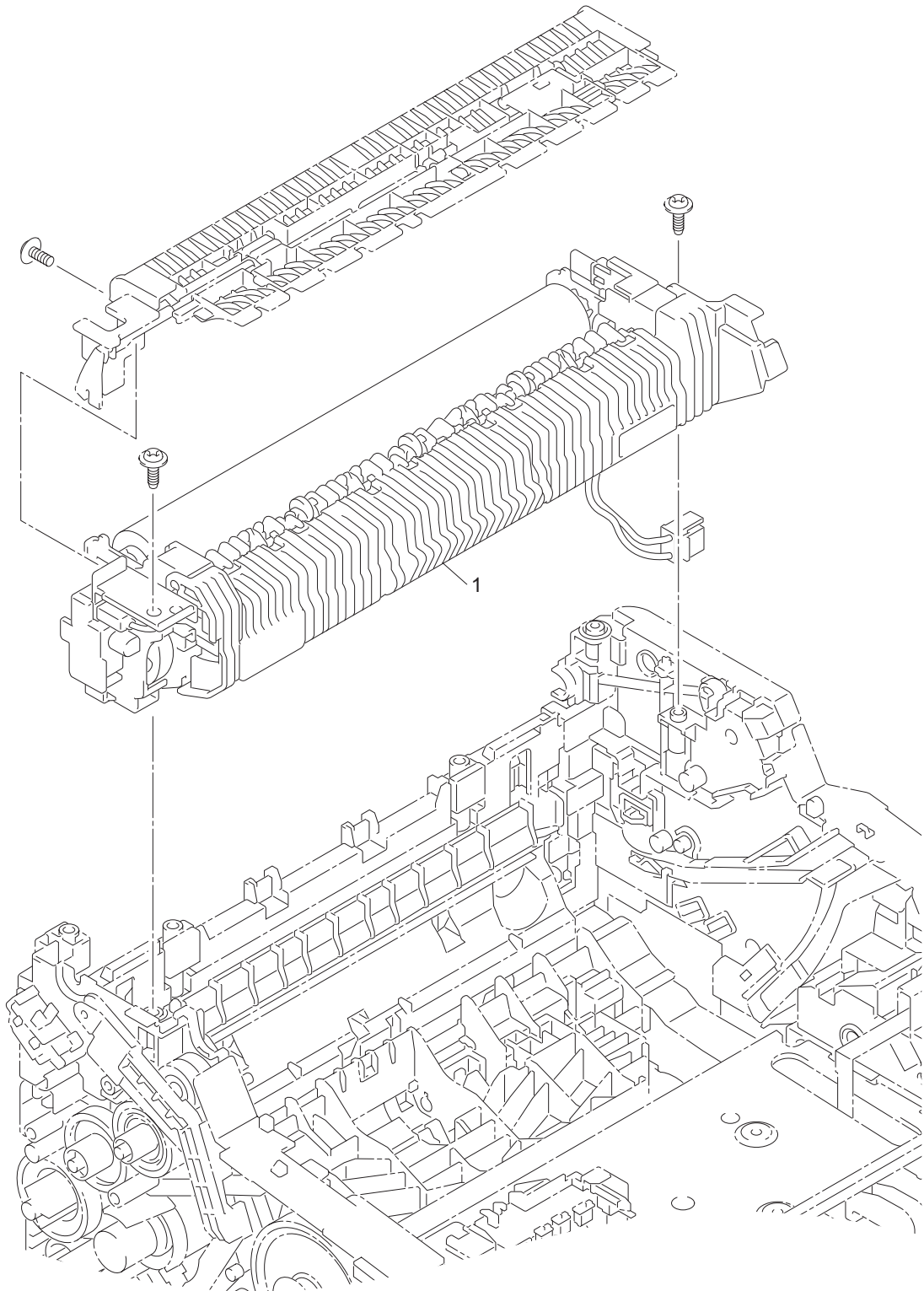
4. LASER UNIT



4. LASER UNIT

REF No.	CODE	QTY	DESCRIPTION	MODEL	SPEC	REMARKS
1	LY8319001	1	LASER UNIT (SP)			
2	LV1011001	1	LASER UNIT FLAT CABLE			

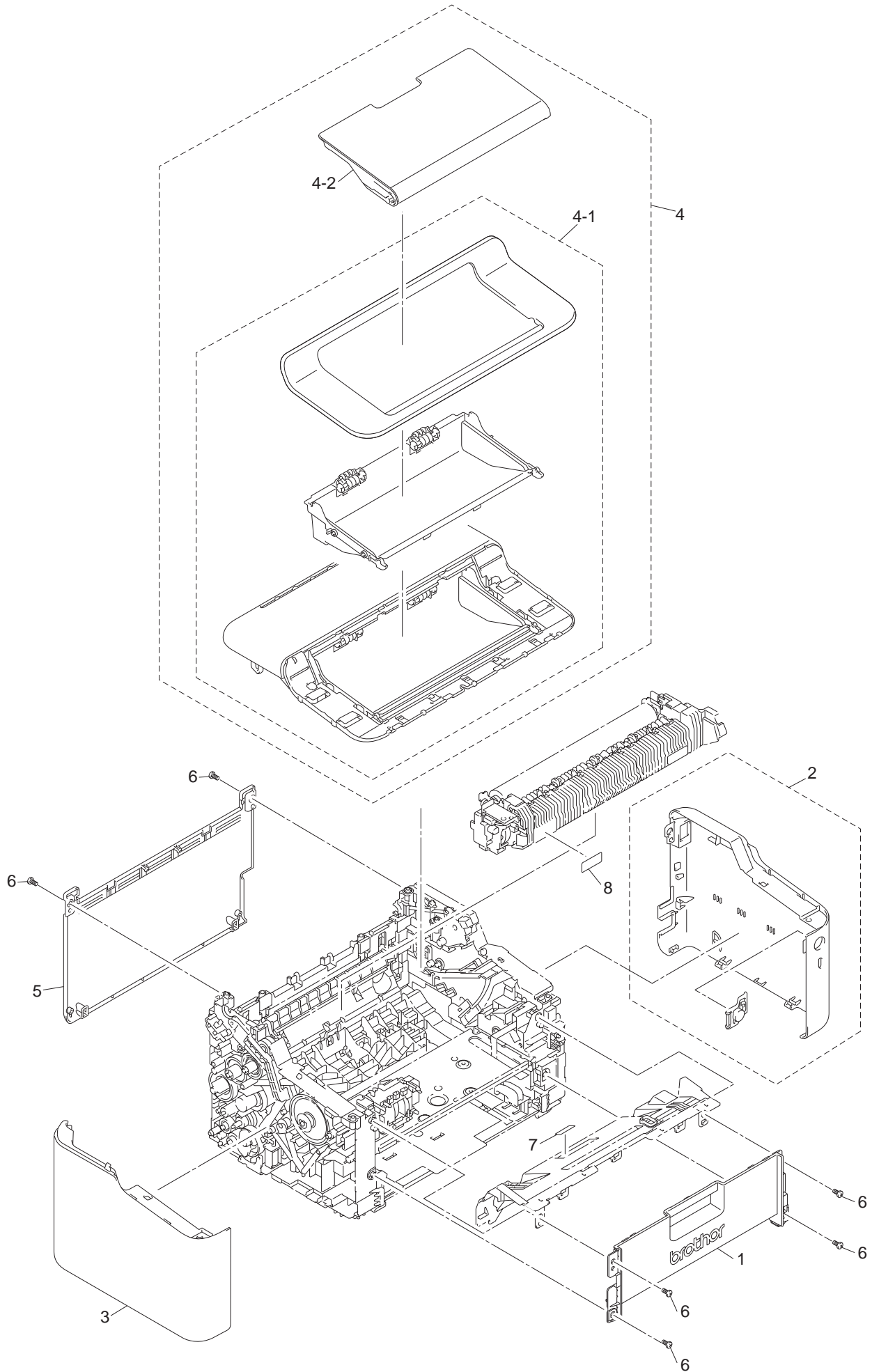
5. FUSER UNIT



5. FUSER UNIT

REF No.	CODE	QTY	DESCRIPTION	MODEL	SPEC	REMARKS
1	LJA054001	1	FUSER UNIT 230V (SP)	HL-1201		
1	LJA054001	1	FUSER UNIT 230V (SP)	HL-1202	FOR PER	
1	LJA054001	1	FUSER UNIT 230V (SP)	HL-1208		
1	LJA053001	1	FUSER UNIT 115V (SP)	HL-1202	FOR BRZ	

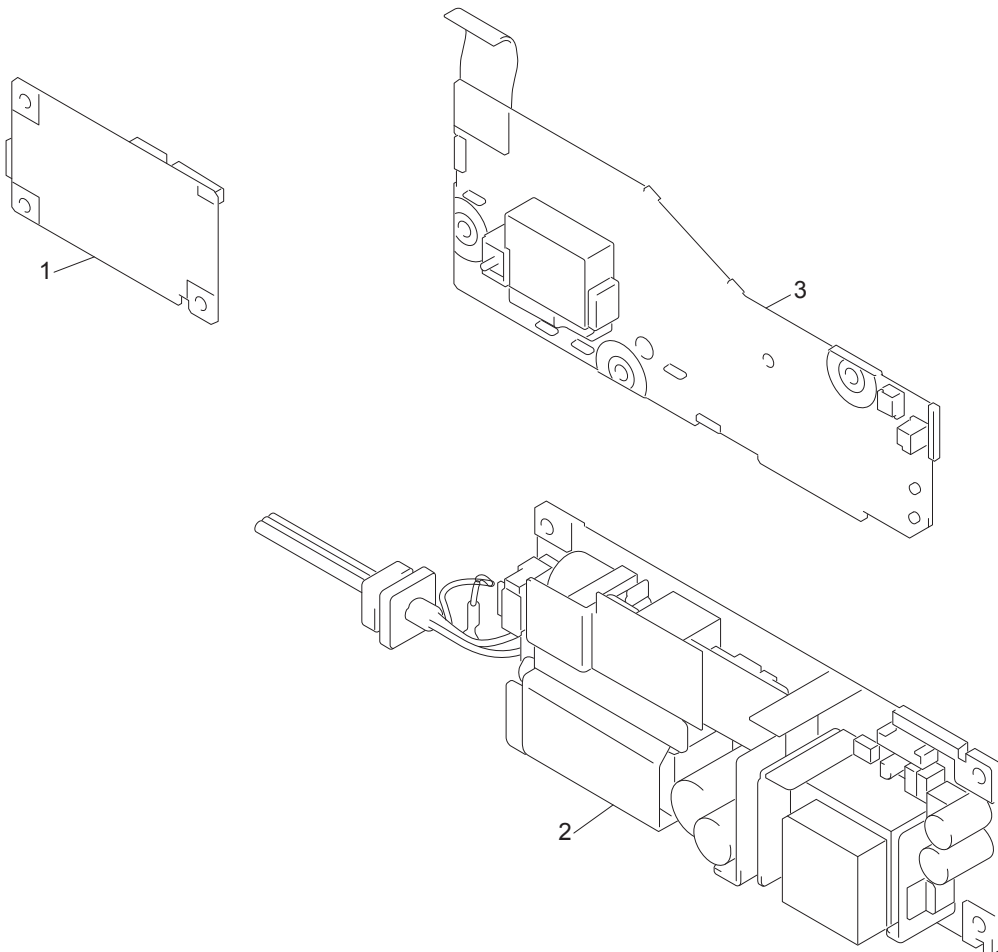
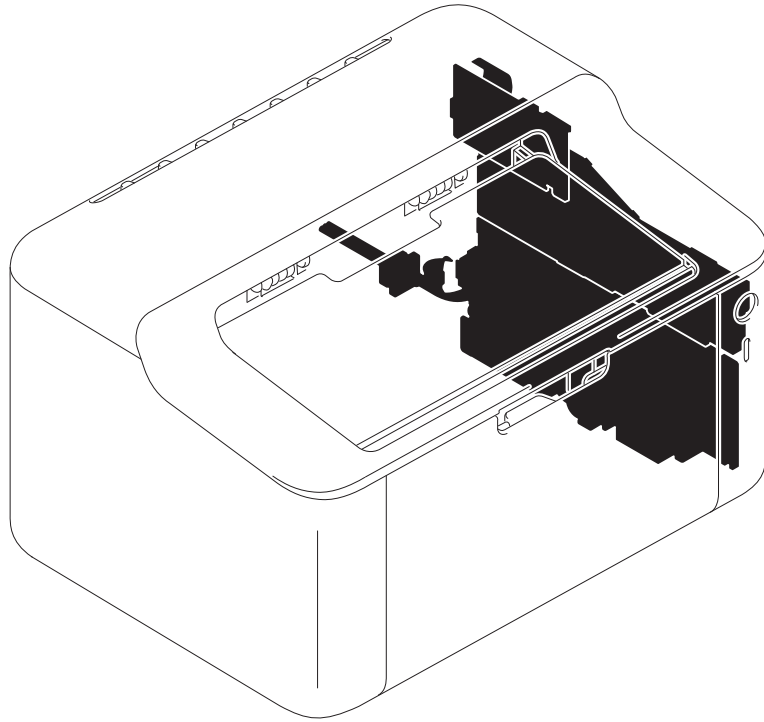
6. COVERS & LABELS



6. COVERS & LABELS

REF No.	CODE	QTY	DESCRIPTION	MODEL	SPEC	REMARKS
1	LY8028001	1	FRONT COVER	HL-1201		
1	LY8028001	1	FRONT COVER	HL-1208		
1	LY8028002	1	FRONT COVER	HL-1202		
2	LJA073001	1	SIDE COVER R ASSY	HL-1201		
2	LJA073002	1	SIDE COVER R ASSY	HL-1202		
2	LJA419001	1	SIDE COVER R ASSY	HL-1208		
3	LY8029001	1	SIDE COVER L	HL-1201		
3	LY8029001	1	SIDE COVER L	HL-1208		
3	LY8029002	1	SIDE COVER L	HL-1202		
4	LJA014001	1	TOP COVER ASSY	HL-1201		
4	LJA014001	1	TOP COVER ASSY	HL-1208		
4	LJA014002	1	TOP COVER ASSY	HL-1202		
4-1	LY8303001	1	PROCESS COVER ASSY	HL-1201		
4-1	LY8303001	1	PROCESS COVER ASSY	HL-1208		
4-1	LY8303006	1	PROCESS COVER ASSY	HL-1202		
4-2	LJA017001	1	PAPER STOPPER	HL-1201		
4-2	LJA017001	1	PAPER STOPPER	HL-1208		
4-2	LJA017002	1	PAPER STOPPER	HL-1202		
5	LY8034001	1	BACK COVER	HL-1201		
5	LJA236001	1	BACK COVER	HL-1208		
5	LY8034002	1	BACK COVER	HL-1202		
6	LU5693001	6	TAPTITE BIND B M4X12			
7	LU7320001	1	CAUTION LABEL SPRAY 13X50			
8	LY8178001	1	LABEL H CAUTION 13X30			

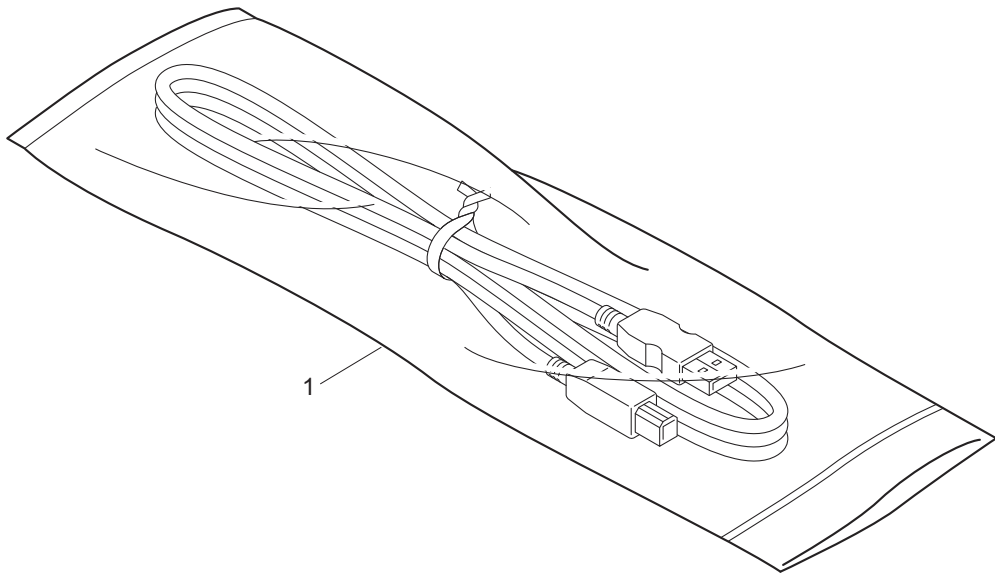
7. PCB



7. PCB

REF No.	CODE	QTY	DESCRIPTION	MODEL	SPEC	REMARKS
1	LV1406001	1	MAIN PCB ASSY	HL-1201		
1	LV1406001	1	MAIN PCB ASSY	HL-1202		
1	LV1411001	1	MAIN PCB ASSY	HL-1208		
2	LV1088001	1	LOW VOLTAGE POWER SUPPLY PCB UNIT 230V	HL-1201	FOR VNM/IDN	
2	LV0994001	1	LOW VOLTAGE POWER SUPPLY PCB UNIT 230V	HL-1208		
2	LV1137001	1	LOW VOLTAGE POWER SUPPLY PCB UNIT 115V	HL-1202	FOR BRZ	
2	LV1135001	1	LOW VOLTAGE POWER SUPPLY PCB UNIT 230V	HL-1201	FOR IND	
2	LV1130001	1	LOW VOLTAGE POWER SUPPLY PCB UNIT 230V	HL-1202	FOR PER	
3	LV1040001	1	HIGH VOLTAGE POWER SUPPLY PCB ASSY	HL-1201		
3	LV1040001	1	HIGH VOLTAGE POWER SUPPLY PCB ASSY	HL-1202		
3	LV0995001	1	HIGH VOLTAGE POWER SUPPLY PCB ASSY	HL-1208		

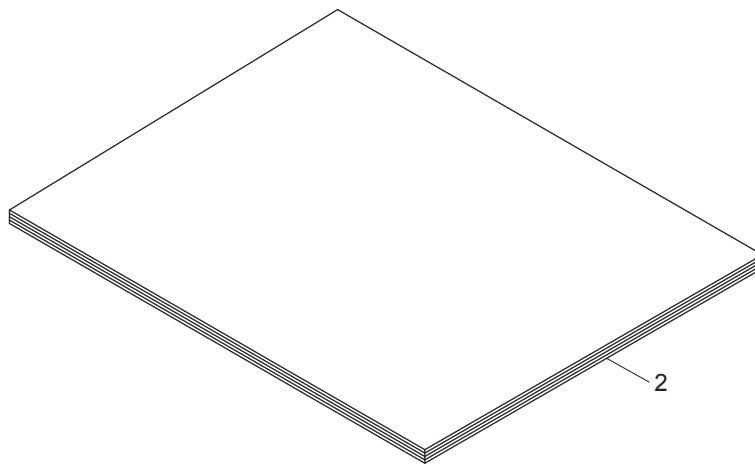
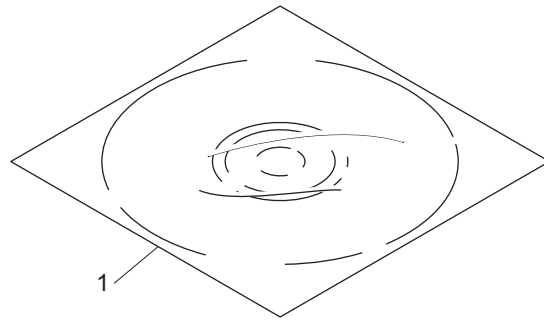
8. OPTION



8. OPTION

REF No.	CODE	QTY	DESCRIPTION	MODEL	SPEC	REMARKS
1	LT2401001	1	USB CABLE 2.0			

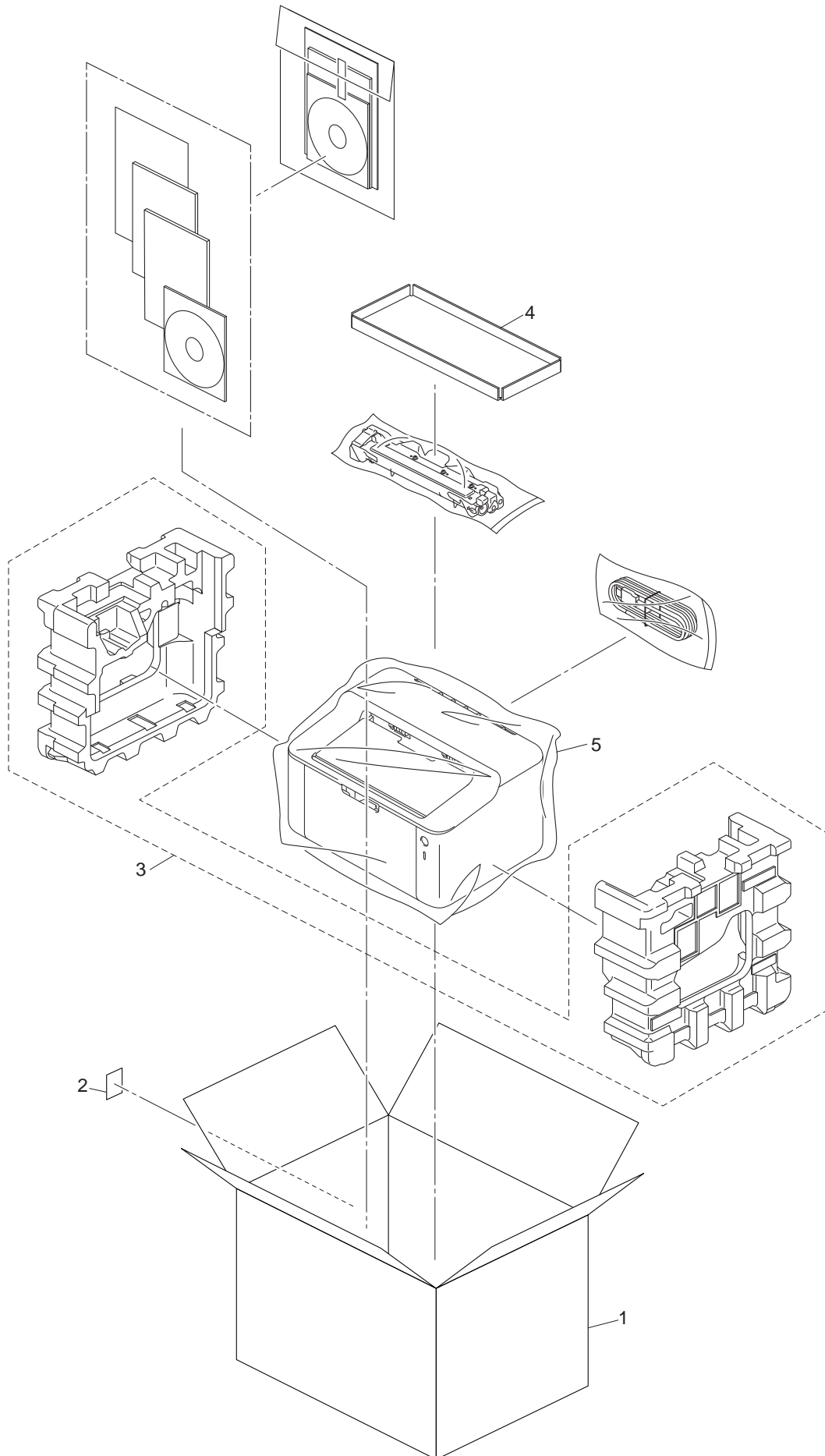
9. ACCESSORIES



9. ACCESSORIES

REF No.	CODE	QTY	DESCRIPTION	MODEL	SPEC	REMARKS
1	LU9805001	1	CD ASSY	HL-1201		
1	LU9808001	1	CD ASSY	HL-1202		
1	LU9806001	1	CD ASSY	HL-1208		
2	LJA304001	1	SETUP GUIDE (SPANISH/PORTUGUESE/ITALIAN)	HL-1202		
2	LJA303001	1	SETUP GUIDE (CHINESE)	HL-1208		
2	LJA311001	1	SETUP GUIDE (ENGLISH/TURKISH/VIETNAMESE)	HL-1201	FOR VNM	
2	LJA309001	1	SETUP GUIDE (ENGLISH/THAI/INDONESIAN)	HL-1201	FOR IDN/IND	

10. PACKING MATERIALS



10. PACKING MATERIALS

REF No.	CODE	Q'T Y	DESCRIPTION	MODEL	SPEC	REMARKS
1	LJA193001	1	CARTON	HL-1202		
1	LJA318001	1	CARTON	HL-1208		
1	LJA194001	1	CARTON	HL-1201	FOR VNM	
1	LJA232001	1	CARTON	HL-1201	FOR IDN	
1	LJA197001	1	CARTON	HL-1201	FOR IND	
2	LJA348001	1	CHINA ENERGY LABEL	HL-1208		
3	LJA022001	1	POLYSTYRENE PAD ASSY			
4	LY8182001	1	OPTION CARTON			
5	LY8317001	1	BAG 550X650H			