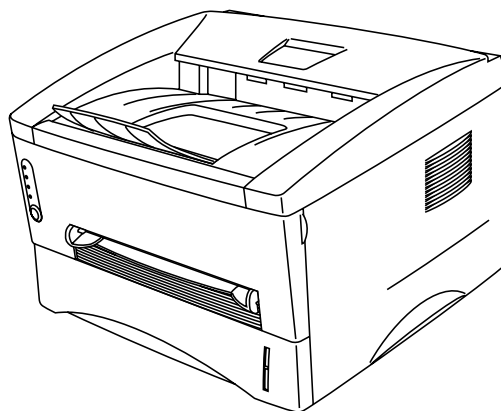




Brother Laser Printer **PARTS REFERENCE LIST**

MODEL:HL-1230/1440/1450/1470N



Read this list thoroughly before maintenance work.

Keep this list in a convenient place for quick and easy reference at all times.

NOTE FOR USING THIS PARTS REFERENCE LIST

1. In the case of ordering parts, it needs mentioning the following items:

- (1) Code
- (2) Q'ty
- (3) Description
- (4) Symbol (PCB No., Revision , and Parts location mounted on the PCB.)

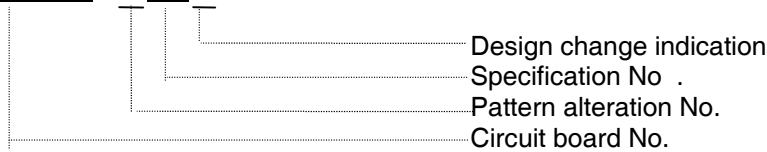
Note : No orders without Parts Code or Tool No. can be accepted.

< Example >

REF.NO.	CODE	Q'TY	DESCRIPTION	SYMBOL	REMARK

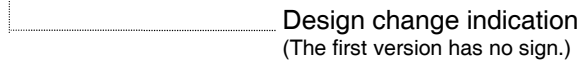
Revision No.: marked on the **main printed circuit board**.

B48K056 - 201A



Revision No.: marked on the **power supply printed circuit board**.

Rev. A



2. Design-changed parts :

If the parts are changed, any one of the following symbols is indicated in the REMARKS column.

- #A : Compatible between old and new
- #B : Replaceable from old to new
- #D : Incompatible
- # : Newly established

3. The original of this list was made based on the information available in May 2001.

4. Parts are subject to change in design without prior notice.

CONTENTS

1.	<u>FRAME / DRIVE UNIT</u>	1
2.	<u>LASER UNIT</u>	1
3.	<u>PAPER FEED</u>	3
4.	<u>FIXING UNIT</u>	5
5.	<u>PAPER CASSETTE</u>	7
6.	<u>COVERS/LABELS</u>	9
7.	<u>MAIN PCB</u>	11
8.	<u>ENGINE PCB</u>	13
9.	<u>LOW-VOLTAGE POWER SUPPLY PCB</u>	13
10.	<u>HIGH-VOLTAGE POWER SUPPLY PCB</u>	15
11.	<u>AC CORDS</u>	15
12.	<u>ACCESSORIES</u>	17
13.	<u>PACKING MATERIALS</u>	19
14.	<u>NETWORK BOARD</u>	19

1. FRAME / DRIVE UNIT

REF.NO.	CODE	Q'TY	DESCRIPTION	SYMBOL	REMARK
1	LE1744001	1	MAIN MOTOR ASSY/E		
2	087320616	4	TAPTITE, CUP S M3X6		
3	LJ5701001	1	SOLENOID ASSY/E		
4	000300415	1	SCREW, BIND M3X4		
5	LJ4432001	4	TAPE 32X12		
6	UL8984001	1	LINK		
7	LJ4745001	1	FAN MOTOR UNIT (Australia only)		
7	LM2688001	1	FAN MOTOR ASSY		ADD
8	LJ5704001	1	TONER EMPTY LED PCB UNIT E (Light emission)	B512038-4	
9	UK4405001	1	PANEL PCB ASSY		
10	087320616	3	TAPTITE, CUP S M3X6		
11	LJ7403001	4	RUBBER FOOT		
12	UL9104001	1	TONER EMPTY PCB UNIT (Light reception)	B512037-2	
13	087320616	1	TAPTITE, CUP S M3X6		
14	LJ8031001	1	LT RELAY PCB ASSY (HL-1450/1470N)	B512060-1	
15	087320616	1	TAPTITE, CUP S M3X6		
16	LE1169001	1	USB GROUND PLATE (HL-1440 Europe)		
17	LJ5703001	1	SOLENOID RELEASE SPRING/E		
18	LJ5591001	1	PLANET GEAR ASSY (SP)		
19	UL8985001	1	GEAR 59		
20	LJ5705001	4	GEAR 21 PRESSURE PLATE		del
21	087320616	1	TAPTITE, CUP S M3X6		
22	UL8972001	1	P/R CLUTCH LEVER		
23	UL8971001	1	F/R CLUTCH LEVER		
24	UL8982001	1	DEVELOP JOINT		
25	UL8983001	1	JOINT SPRING		
26	LJ7157001	1	FRONT SHIELD FILM		
27	LJ7158001	1	REAR SHIELD FILM		
28	LJ7159001	1	CENTER SHIELD FILM		
29	UL8959001	4	FRICITION SPRING		delete
30	LJ5838001	1	PLANET GEAR ASSY B (SP)		chg

MODEL HL-1230/1440/1450/1470N/1430/1435 84U-Z31/Z32/Z33/Z34/Z36-010

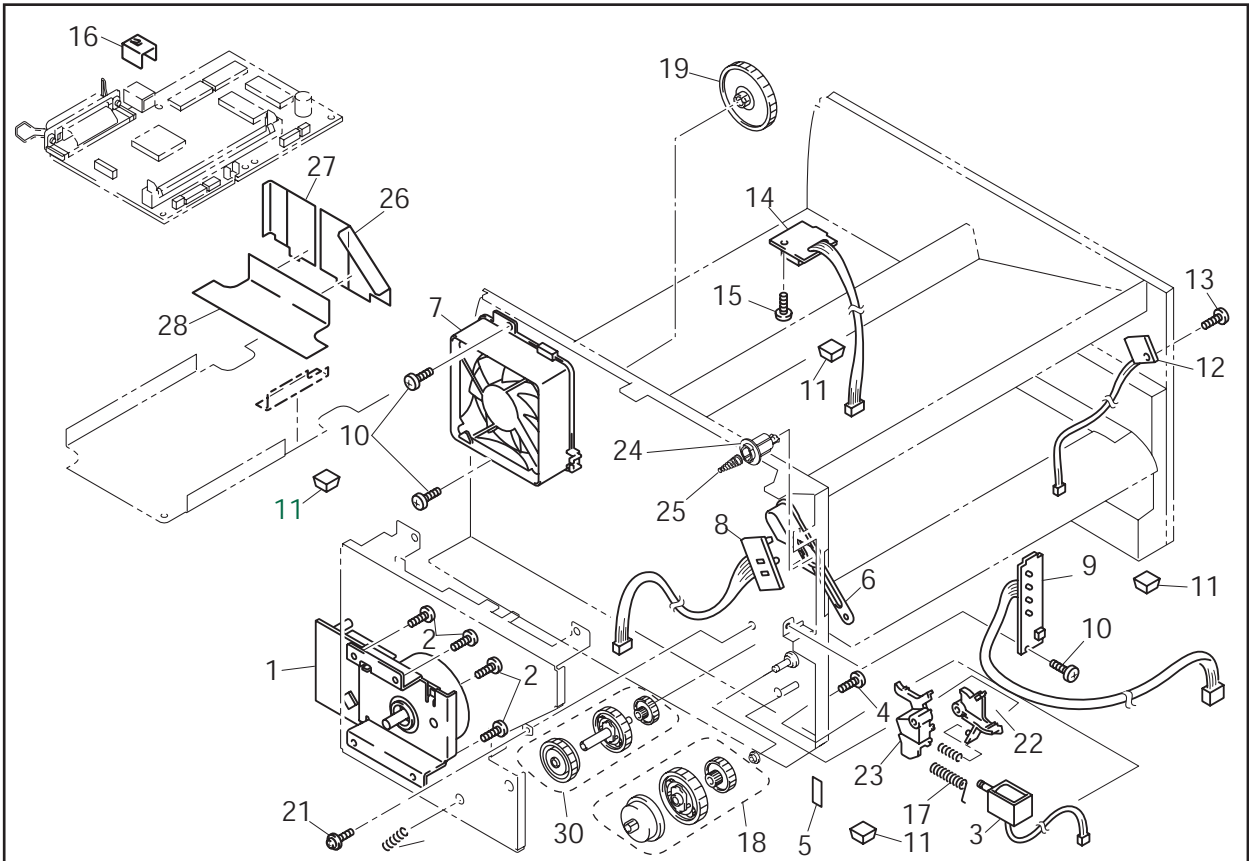
T/I NO. PR2002013 / PR2002035 / PR2002071 / PR2002098 / PR2002139 / PR2002157

2. LASER UNIT

REF.NO.	CODE	Q'TY	DESCRIPTION	SYMBOL	REMARK
1	LJ5828001	1	LASER UNIT E (SP)		
2	087321615	3	TAPTITE, CUP S M3X16		

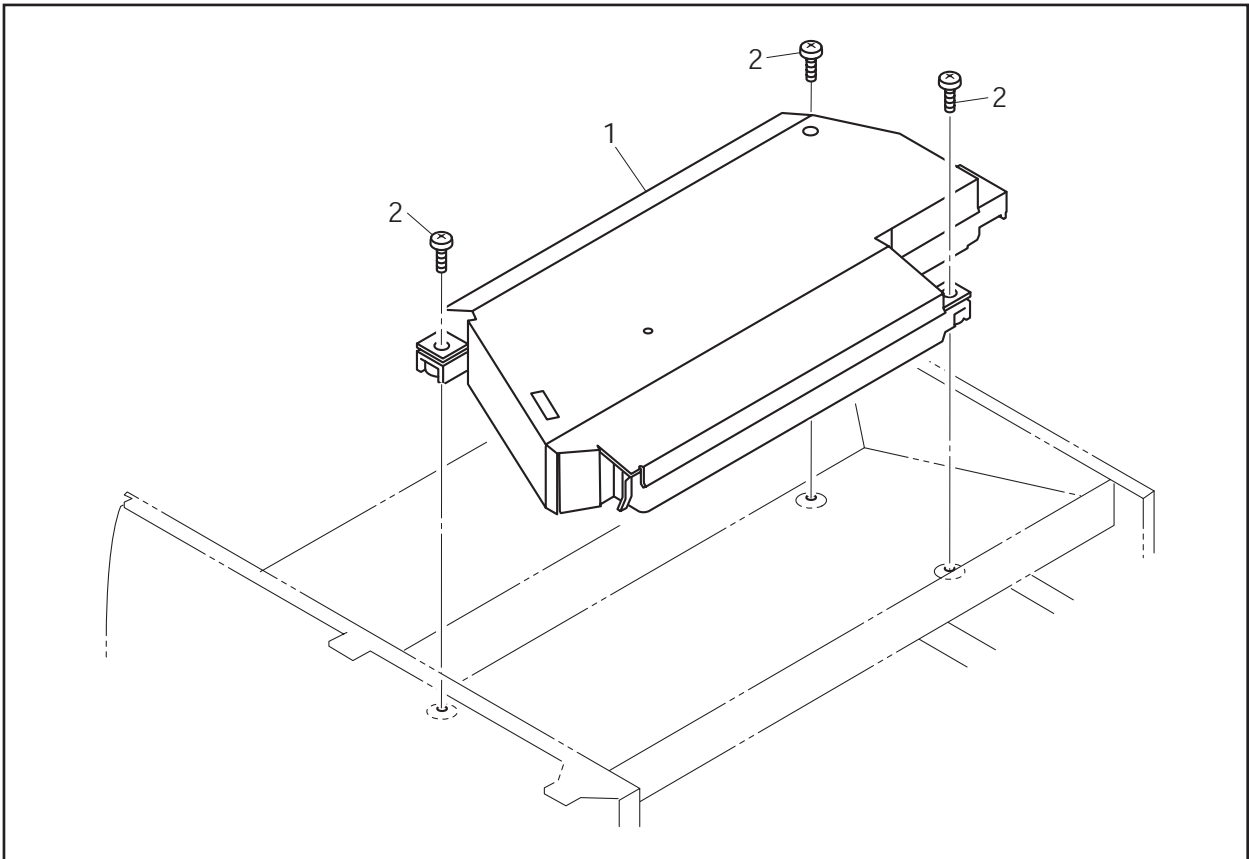
MODEL HL-1230/1440/1450/1470N/1430/1435 84U-Z31/Z32/Z33/Z34/Z36-020

1. FRAME / DRIVE UNIT



MODEL HL-1230/1440/1450/1470N 84U-Z31/Z32/Z33/Z34-010

2. LASER UNIT



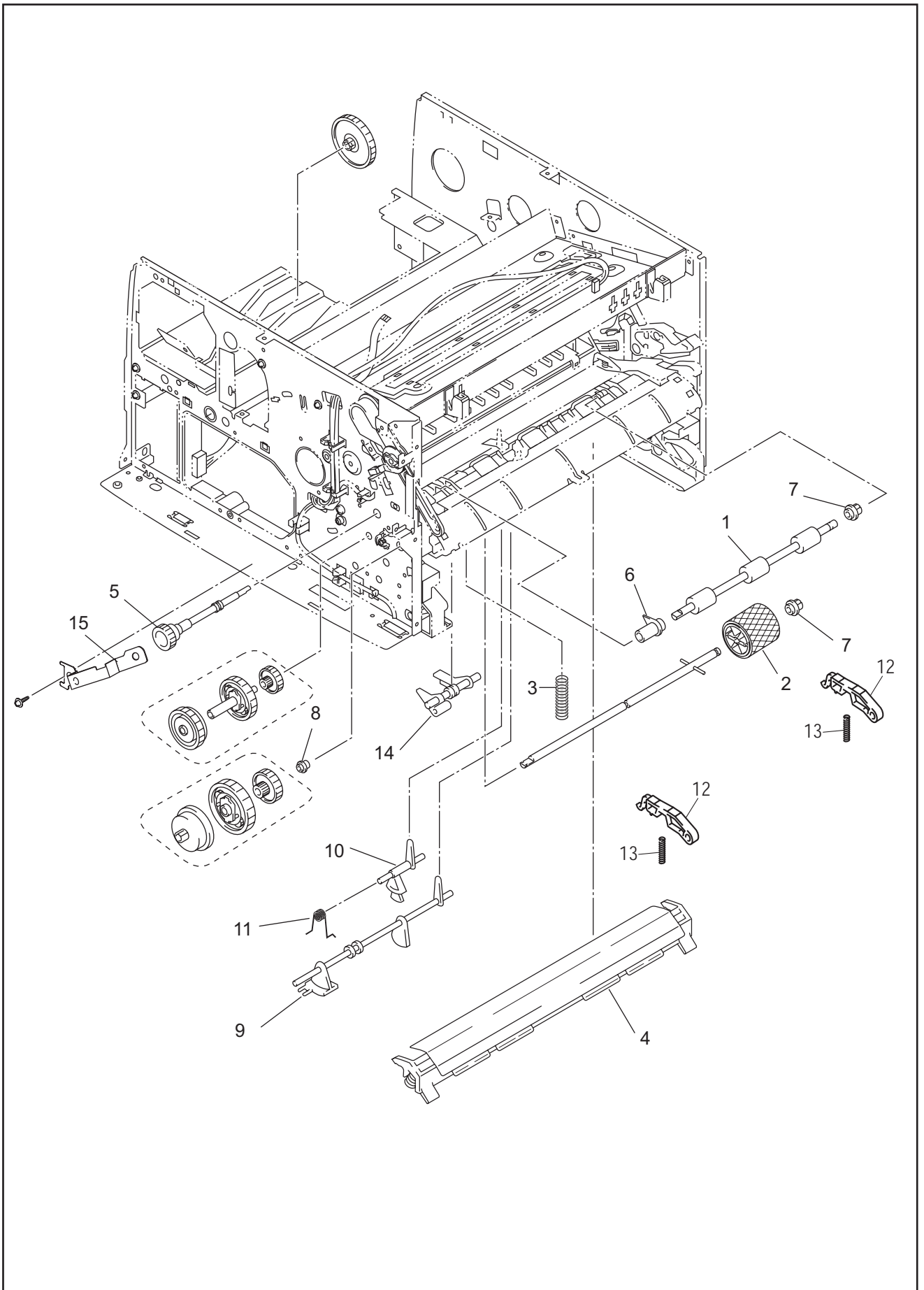
MODEL HL-1230/1440/1450/1470N 84U-Z31/Z32/Z33/Z34-020

3. PAPER FEED

REF.NO.	CODE	Q'TY	DESCRIPTION	REMARK
1	UL9060001	1	PAPER FEED ROLLER ASSY	
2	UL9066001	1	PAPER PICK-UP ROLLER ASSY	
3	LJ4499001	1	TR ELECTRODE HELICAL SPRING	
4	LJ4843001	1	OUTER CHUTE 1 (SP)	
5	UL9070001	1	GEAR 21	
6	UL9059001	1	JOINT 5	
7	UL9062001	2	BEARING 5	
8	UL9069001	1	CONDUCTOR BEARING 5	
9	UL9049001	1	REGIST FRONT ACTUATOR	add
10	UL9050001	1	REGIST REAR ACTUATOR	add
11	UL9051001	1	REGIST REAR ACTUATOR SPRING	add
12	UL9053001	2	TRANSFER ARM	add
13	UL9052001	2	TRANSFER SPRING	add
14	UU2042001	1	ACTUATOR CASSET *1	add
15	LJ5705001	1	GEAR 21 PRESSURE PLATE	ADD
			*1 Except for HL-1230/ HL-1440	

MODEL HL-1230/1440/1450/1470N/1430/1435 84U-Z31/Z32/Z33/Z34/Z36-040

3. PAPER FEEDER

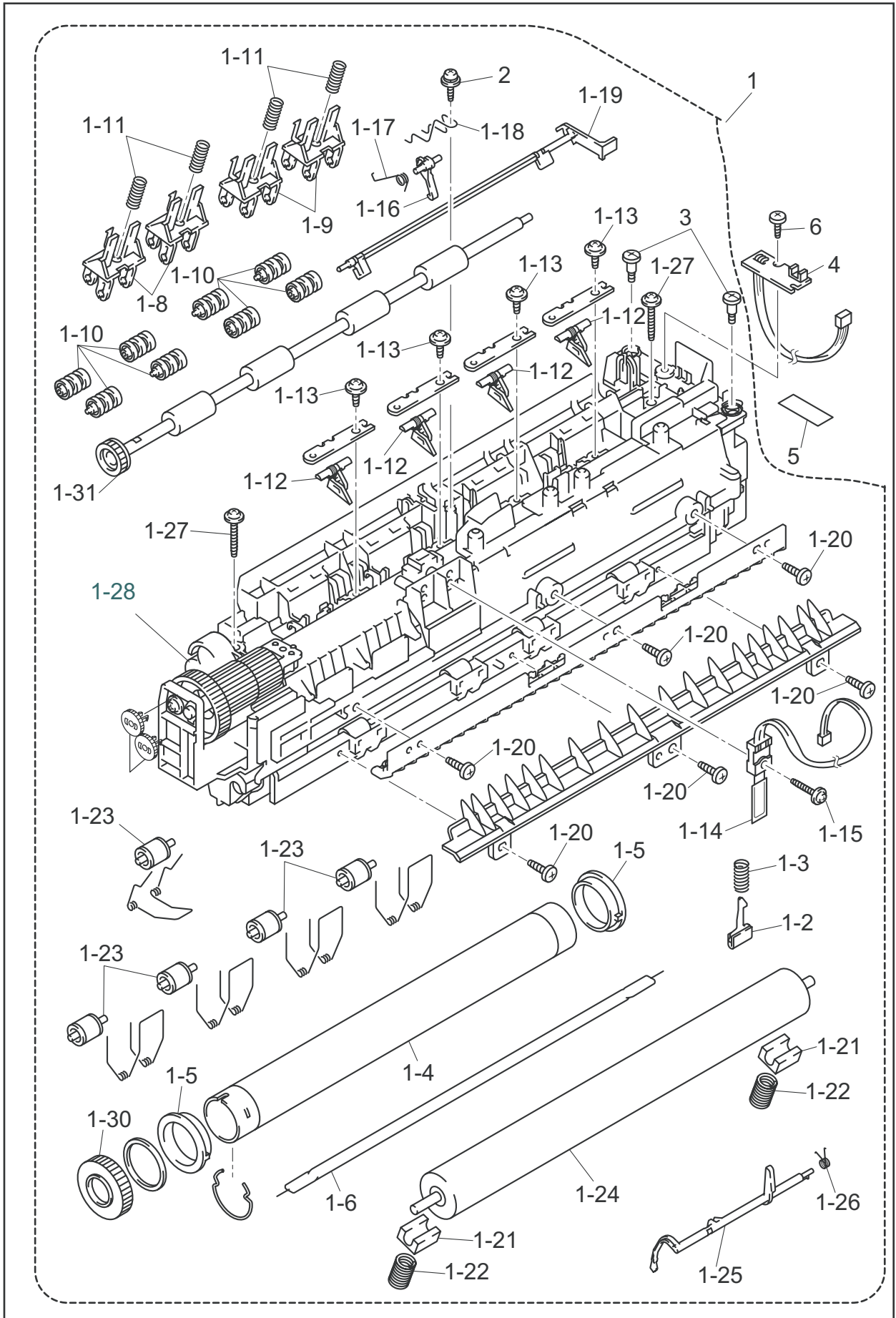


MODEL HL-1230/1440/1450/1470N/1430 84U-Z31/Z32/Z33/Z34/Z36-040

4. FIXING UNIT

REF.NO.	CODE	Q'TY	DESCRIPTION	SYMBOL	REMARK
1	LJ7161001	1	FIXING UNIT, 115V (SP)		
1	LJ7162001	1	FIXING UNIT, 230V (SP)		
1-2	LJ5682001	1	CLEANER ASSY E		
1-3	UH3635001	1	CLEANER SPRING 30		
1-4	LJ5684001	1	HEAT ROLLER 25		
1-5	UL8908001	2	HR BEARING 25		
1-6	LJ5685001	1	HALOGEN LAMP, 115V		
1-6	LJ5695001	1	HALOGEN LAMP, 230V		
1-8	LJ5276001	2	EJECT PINCH ROLLER HOLDER L		
1-9	LJ5277001	2	EJECT PINCH ROLLER HOLDER R		
1-10	LJ5278001	8	EJECT PINCH ROLLER		
1-11	LJ5279001	4	EJECT PINCH SPRING		
1-12	LJ7877001	4	SEPARATE CLAW ASSY C		chg
1-13	087310615	4	TAPTITE, CUP B M3X6		
1-14	LJ5686001	1	THERMISTOR ASSY		
1-15	085311216	1	TAPTITE, BIND B M3X12		
1-16	LJ5734001	1	EJECT ACTUATOR 2		
1-17	LJ5732001	1	EJECT ACTUATOR SPRING 2		
1-18	LJ5736001	1	ACTUATOR HOLDER		
1-19	LJ5735001	1	EJECT ACTUATOR 3		
1-20	085311015	6	SCREW,BIND B TITE 3X10		
1-21	UL8916001	2	PR BEARING		
1-22	LJ5690001	2	PR SPRING		
1-23	LJ5268001	5	CLEANER PINCH ROLLER ASSY		
1-24	LJ5287001	1	PRESSURE ROLLER 25		
1-25	UL8920001	1	PAPER EJECT ACTUATOR		
1-26	UL8921001	1	EJECT ACTUATOR SPRING		
1-27	087312015	1	TAPTITE, CUP B M3X20		
1-28	UL8923001	1	FU DRIVE GEAR 20/38		
1-29	LM2047001	2	IDLE GEAR 13		chg
1-30	UL8910001	1	HR GEAR 34		add
1-31	LJ4118001	1	EJECT ROLLER ASSY		ADD
2	Z07200001	1	TAPTITE, PAN B M3X10		
3	LJ4740001	2	SHOULDER SCREW		
4	LJ8841001	1	JAM SENSOR PCB ASSY	B512096-1	
5	LJ4432001	1	TAPE 32X12		
6	085311015	1	SCREW,BIND B TITE 3X10		

4. FIXING UNIT



MODEL HL-1230/1440/1450/1470N 84U-Z31/Z32/Z33/Z34-050

5-1. PAPER CASSETTE, LGL

REF.NO.	CODE	Q'TY	DESCRIPTION	REMARK
1	LE1162001	1	PAPER TRAY UNIT LGL (SP)	
1	LM2265001	1	PAPER TRAY LGL ASSY (SP) (HL1435 US DEMO & HL1430 US only)	add
1-1	LJ4537001	1	PRESSURE PLATE ASSY, LGL	
1-2	UL9077001	2	PRESSURE PLATE SPRING	
1-3	UL9078001	1	SIDE GUIDE L	
1-4	UL9079001	1	SIDE GUIDE R	
1-5	U73515001	2	TAPTITE, CUP B M2.6X5	
1-6	UL9080001	2	SIDE GUIDE RACK	
1-7	UL9081001	1	SIDE GUIDE GEAR	
1-8	UL9082001	1	FRICTION SPRING	
1-9	087310815	1	TAPTITE, CUP B M3X8	
1-10	UL9083001	1	REAR PAPER GUIDE	
1-11	UL9084001	1	SEPARATION PAD HOLDER ASSY	
1-12	UL9090001	1	SEPARATION PAD SPRING	
1-13	UL9091001	1	PAPER INDICATOR	
1-14	UL9092001	1	LOCK LEVER	
1-15	LJ4534001	1	PRESSURE ROLLER HOLDER ASSY	
1-16	LJ4892001	4	PRESSURE ROLLER COLLAR 2 ASSY	del
1-17	UL9095001	1	RELEASE LEVER EXTENSION SPRING	
1-18	LJ4197001	1	PAPER TRAY COVER	
1-19	087310815	1	TAPTITE CUP B M3X8	CHG
1-20	LJ4272001	1	TRAY COVER FILM	
1-21	LJ4221001	1	SCRATCH SPONGE HOLDER ASSY	
1-22	LJ4200001	2	SCRATCH SPONGE SPRING	
1-23	LJ4332001	1	TRAY FEED GUIDE ASSY	
1-24	LJ5260001	1	PRESSURE ROLLER COLLAR	add
1-25	LJ5261001	1	PRESSURE ROLLER SHAFT	add

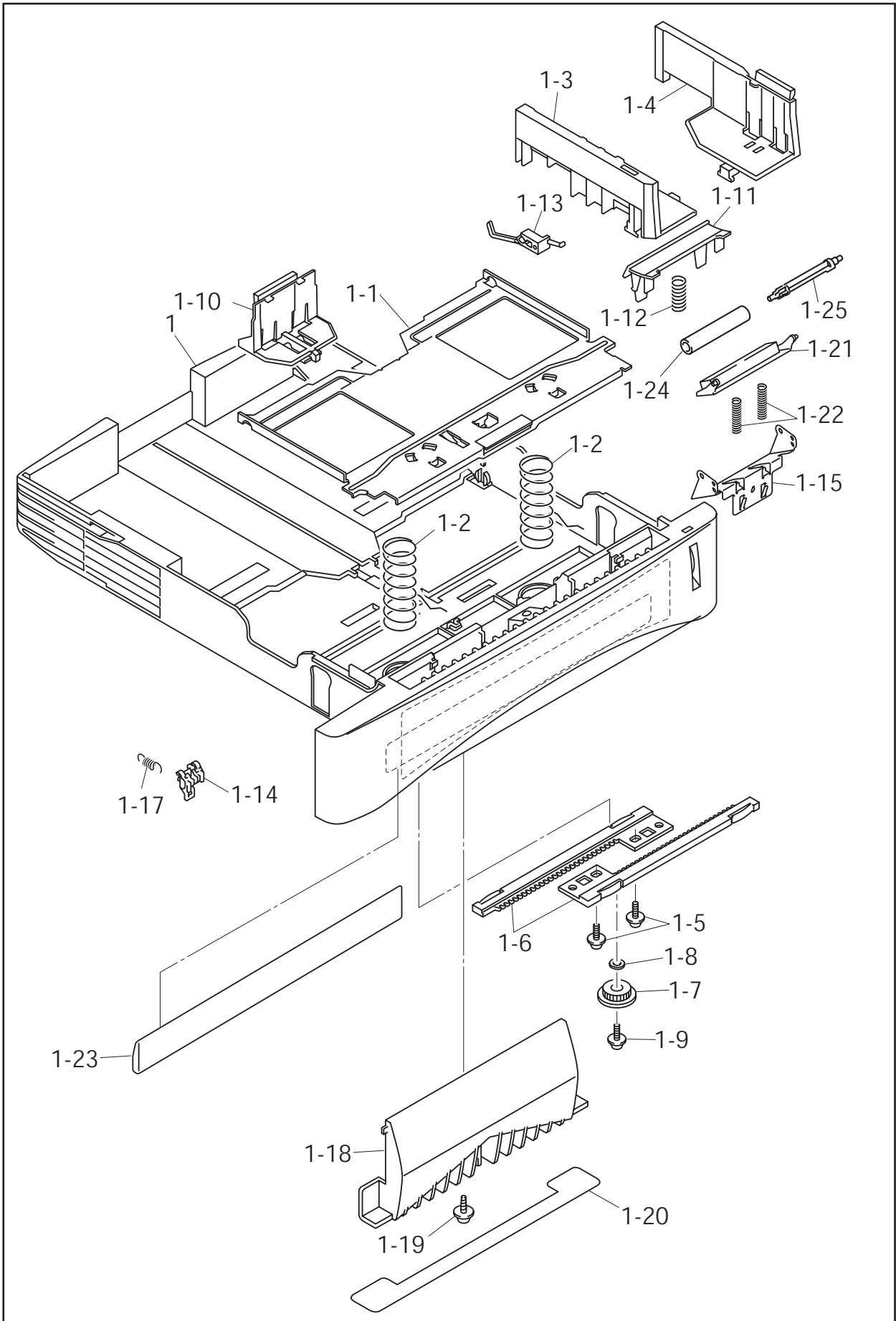
MODEL HL-1230/1440/1450/1470/1470N/1430/1435 84U-Z31/Z32/Z33/Z34/Z36-045/046

5-2. PAPER CASSETTE, A4

REF.NO.	CODE	Q'TY	DESCRIPTION	REMARK
1	LJ4181001	1	PAPER TRAY UNIT A4 (SP)	
1	LJ7174001	1	PAPER TRAY UNIT LEG (SP) (OEM)	
1-1	UL9074001	1	PRESSURE PLATE ASSY, A4	
1-2	UL9077001	2	PRESSURE PLATE SPRING	
1-3	UL9078001	1	SIDE GUIDE L	
1-4	UL9079001	1	SIDE GUIDE R	
1-5	U73515001	2	TAPTITE, CUP B M2.6X5	
1-6	UL9080001	2	SIDE GUIDE RACK	
1-7	UL9081001	1	SIDE GUIDE GEAR	
1-8	UL9082001	1	FRICTION SPRING	
1-9	087310815	1	TAPTITE, CUP B M3X8	
1-10	UL9083001	1	REAR PAPER GUIDE	
1-11	UL9084001	1	SEPARATION PAD HOLDER ASSY	
1-12	UL9090001	1	SEPARATION PAD SPRING	
1-12	LJ4622001	1	SEPARATION PAD SPRING 250 LEG (OEM)	
1-13	UL9091001	1	PAPER INDICATOR	
1-14	UL9092001	1	LOCK LEVER	
1-15	LJ4196001	1	PRESSURE ROLLER HOLDER	
1-16	LJ4892001	4	PRESSURE ROLLER COLLAR 2 ASSY	del
1-17	UL9095001	1	RELEASE LEVER EXTENSION SPRING	
1-18	LJ4197001	1	PAPER TRAY COVER	
1-19	087310815	1	TAPTITE CUP B M3X8	CHG
1-20	LJ4272001	1	TRAY COVER FILM	
1-21	LJ4221001	1	SCRATCH SPONGE HOLDER ASSY	
1-22	LJ4200001	2	SCRATCH SPONGE SPRING	
1-23	LJ4332001	1	TRAY FEED GUIDE ASSY	
1-24	LJ5260001	1	PRESSURE ROLLER COLLAR	add
1-25	LJ5261001	1	PRESSURE ROLLER SHAFT	add

MODEL HL-1230/1440/1450/1470/1470N/1430/1435 84U-Z31/Z32/Z33/Z34/Z36-045/046

5. PAPER CASSETTE



MODEL HL-1230/1440/1450/1470N 84U-Z31/Z32/Z33/Z34-045/047

6. COVERS / LABELS

REF.NO.	CODE	Q'TY	DESCRIPTION	REMARK
1	LJ5751001	1	MAIN COVER ASSY ZLE	
1	LM2238003	1	MAIN COVER ASSY 1430 US (HL1435 US DEMO & HL1430 US only)	add
1-1	LJ7292001	1	HEAT PROTECTION FILM	
2	UL9122001	4	PINCH ROLLER ASSY	
3	UL9125001	4	PINCH ROLLER SPRING	
4	LJ5763001	1	REAR COVER	
4	LJ5763003	1	REAR COVER 1430 US (HL1435 US DEMO & HL1430 US only)	add
5	UL9127001	1	REAR COVER SPRING L	
6	UL9128001	1	REAR COVER SPRING R	
7	UL9129002	1	FRONT COVER ASSY	
7	LM2241003	1	FRONT COVER ASSY 1430 US (HL1435 US DEMO & HL1430 US only)	add
7	LJ7147001	1	FRONT COVER ASSY LEG (OEM)	
8	UL9140001	1	TRAY EXTENSION FLAP	
8	LM2234003	1	TRAY EXTENSION FLAP 1430 US (HL1435 US DEMO & HL1430 US only)	add
9	UL9088001	1	TOP COVER	
9	LM2235002	1	TOP COVER 1430 US (HL1435 US DEMO & HL1430 US only)	add
10	UL9142001	1	SECOND EJECT ROLLER ASSY	
11	087321015	2	TAPTITE, CUP S M3X10	
12	085320816	6	TAPTITE, BIND S M3X8	
13	LJ5727001	1	BROTHER EMBLEM 1230	
13	LM2394001	1	BROTHER EMBLEM 1440	CHG
13	LJ5714001	1	BROTHER EMBLEM 1450	
13	LJ5739001	1	BROTHER EMBLEM 1470N	
13	LM2392001	1	BROTHER EMBLEM 1430	CHG
13	LM2257001	1	BROTHER EMBLEM 1435 (Chile, Cnada)	CHG
13	LM2257002	1	BROTHER EMBLEM 1435 (US)	CHG
13	LM2375001	1	LENOVO EMBLEM LJ2500 (OEM)	chg
13	LJ7142001	1	LEGEND EMBLEM LJ2600 (OEM)	
14	UL6740001	1	LASER CAUTION LABEL EUR	
14	UL7931001	1	LASER LABEL LEGEND (OEM)	
15	LJ5728001	1	MYLAR LABEL 1230 CAN	
15	LJ5731001	1	MYLAR LABEL 1230 EUR	
15	LJ7741001	1	MYLAR LABEL 1230 US	add
15	LJ5671001	1	MYLAR LABEL 1440 US-A	
15	LJ5706001	1	MYLAR LABEL 1440 EUR	
15	LJ5715001	1	MYLAR LABEL 1450 US	
15	LJ5718001	1	MYLAR LABEL 1450 EUR	
15	LJ5740001	1	MYLAR LABEL 1470N US	
15	LJ5743001	1	MYLAR LABEL 1470N EUR	
45	LJ7397004	4	MYLAR LABEL 1435 US	del
45	LJ7732004	4	MYLAR LABEL 1435 CAN	del
16	LJ4905001	1	FAN GUARD	
17	LJ5669001	1	PROCESS UNIT OP LABEL E	
18	LJ4855001	1	TRAY REAR COVER ASSY	
19	UH0905001	1	PATENT LABEL (US)	
19	LJ4421001	1	MARKING LABEL N/S (Norway/Sweden)	
19	LJ4541001	1	HOT LINE LABEL (Swiss)	
19	UH3297001	1	C-TICK MARK (Australia)	
20	LJ5826001	1	MYLAR LABEL ZLE CAN-A	
20	LJ5671001	1	MYLAR LABEL ZLE US-A	
21	LJ5827001	1	MYLAR LABEL ZLE CAN-B	
21	LJ5672001	1	MYLAR LABEL ZLE US-B	
22	LJ5834001	1	TRAY REAR COVER LGL ASSY	

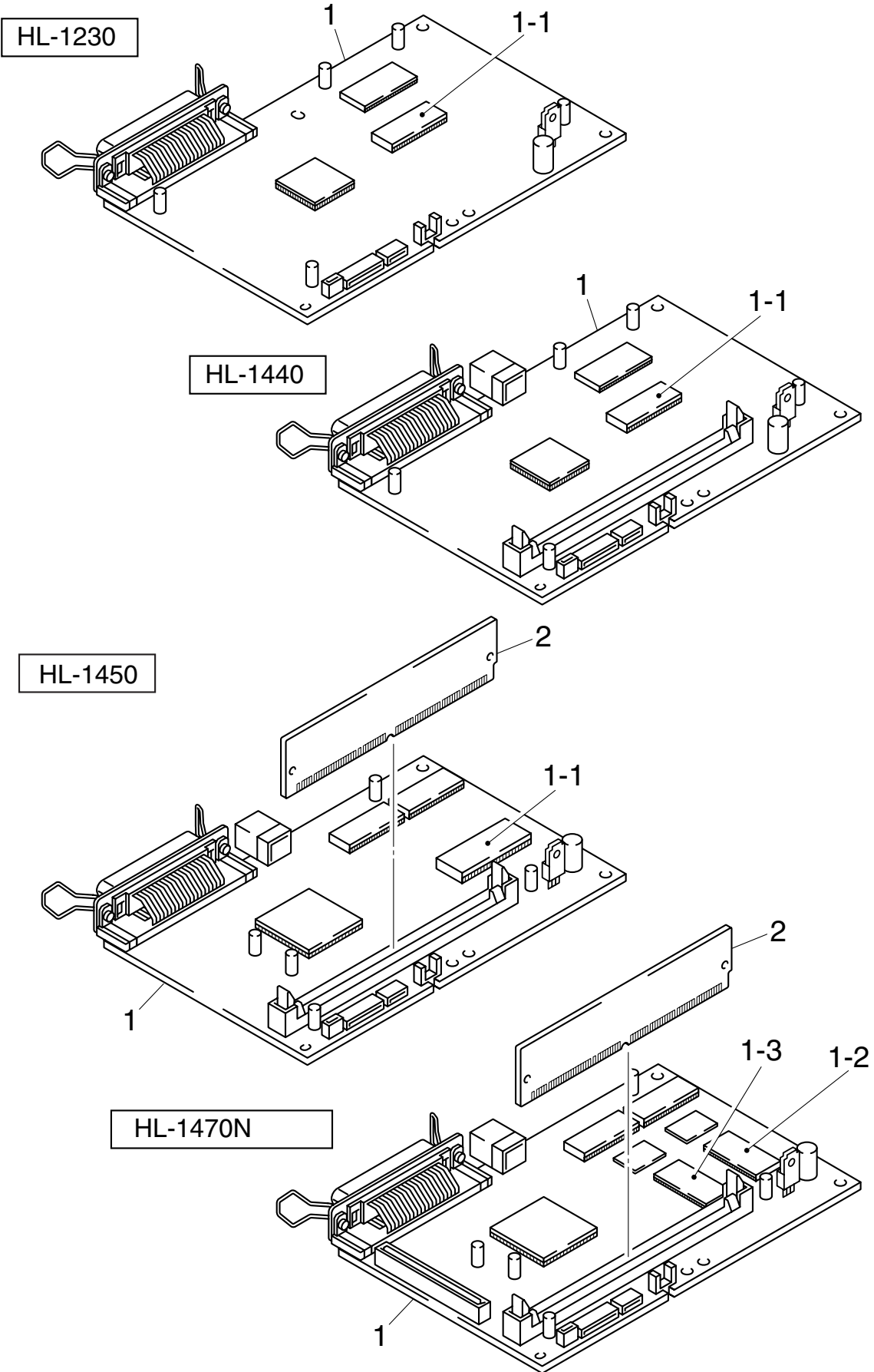
MODEL HL-1230/1440/1450/1470N/1430/1435 84U-Z31/Z32/Z33/Z34/Z36-060/061

7. MAIN PCB

REF.NO.	CODE	Q'TY	DESCRIPTION	SYMBOL	REMARK
1	LJ8840001	1	MAIN PCB ASSY 1230 CAN	B512130-2	
1	LJ8840005	1	MAIN PCB ASSY 1230 EU	B512130-2	
1	LJ8811001	1	MAIN PCB ASSY 1440 US	B512130-2	chg
1	LJ9780001	1	MAIN PCB ASSY 1440 EU	B512130-2	CHG
1	LJ8880001	1	MAIN PCB ASSY 1440 HEB	B512130-2	
1	LJ8819001	1	MAIN PCB ASSY 1450 US	B512134-110F	chg
1	LJ8819005	1	MAIN PCB ASSY 1450 EU	B512134-117F	
1	LJ8819006	1	MAIN PCB ASSY 1450 DEN	B512134-118F	
1	LJ9080001	1	MAIN PCB ASSY 1450 ISR	111A	
1	LJ9081001	1	MAIN PCB ASSY 1470N US	150C	chg
1	LJ9081005	1	MAIN PCB ASSY 1470N EU	157C	
1	LJ9081006	1	MAIN PCB ASSY 1470N DEN	158C	
1	LJ9081008	1	MAIN PCB ASSY 1470N ISR	151C	
1	LJ8977001	1	MAIN PCB ASSY 1470 KOR	332C	
1	LJ9118001	1	MAIN PCB ASSY 1440 LEG (OEM)		
1	LJ9120001	1	MAIN PCB ASSY 1450 LEG (OEM)		
1	LJ9327001	1	MAIN PCB ASSY 1430		add
1	LJ9354001	1	MAIN PCB ASSY 1435 (for USA/Chile)		add
1	LJ9354009	1	MAIN PCB ASSY 1435 (for Canada)		add
1-1	LJ8874001	1	MASK ROM 1230/1440		
1-1	LJ8881001	1	MASK ROM 1440 HEB		
1-1	LJ8923001	1	MASK ROM 1450S		
1-1	LJ9101001	1	MASK ROM 1470S		
2	LJ8870001	1	SIMM 4M (1450/1470N)		
2	LJ9099001	1	SIMM 8M (for 1470 KOR)		

MODEL HL-1230/1440/1450/1470N/1430/1435 84U-Z31/Z32/Z33/Z34/Z36-101

7.MAIN PCB



MODEL HL-1230/1440/1450/1470N 84U-Z31/Z32/Z33/Z34-101/103

8. ENGINE PCB

REF.NO.	CODE	Q'TY	DESCRIPTION	SYMBOL	REMARK
1	LJ8804001	1	ENGINE PCB ASSY 1230/1440/1430/1435	B512136-1	
1	LJ8805001	1	ENGINE PCB ASSY 1450/1470N	B512136-1	

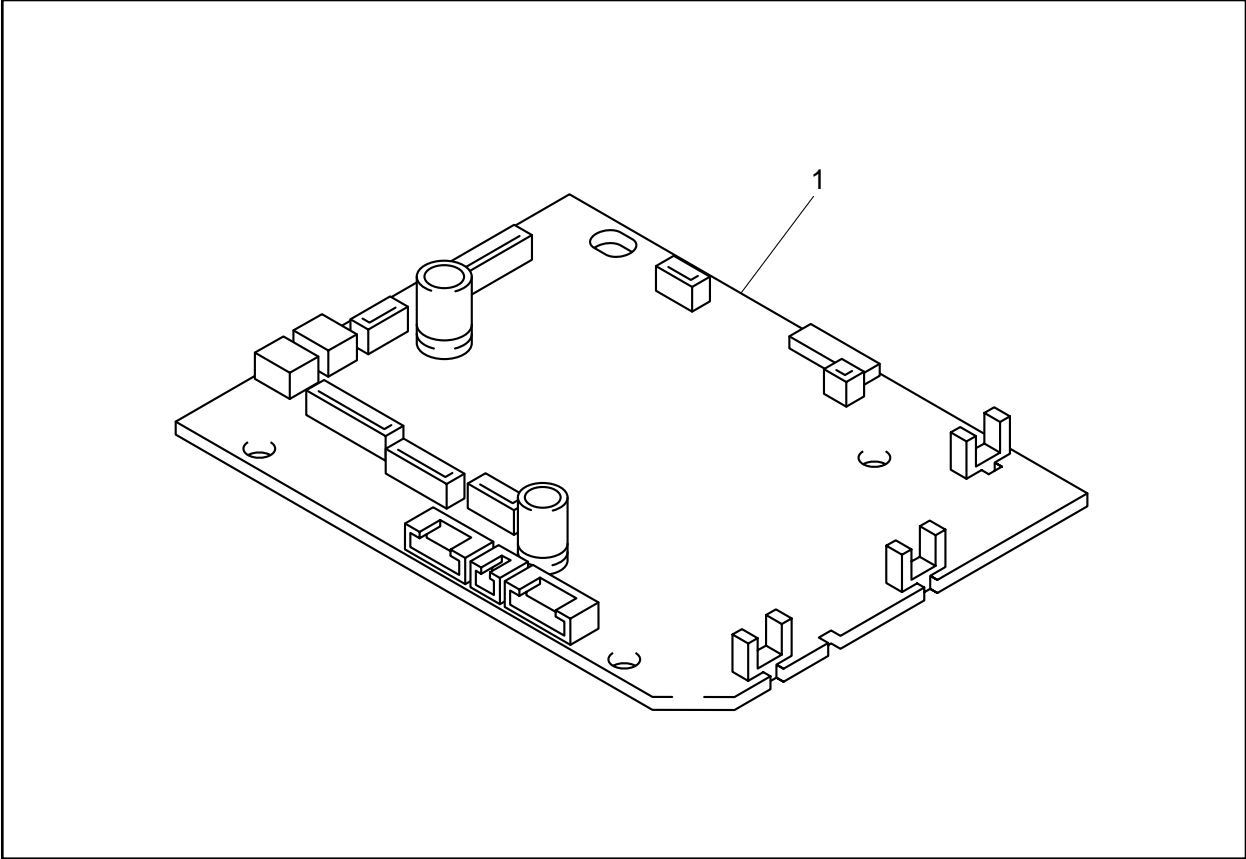
MODEL HL-1230/1440/1450/1470N/1430/1435 84U-Z31/Z32/Z33/Z34/Z36-151

9. LOW-VOLTAGE POWER SUPPLY PCB

REF.NO.	CODE	Q'TY	DESCRIPTION	SYMBOL	REMARK
1	LJ9608001	1	PS PCB ASSY ZLE, 115V VA		chg
4	LG4016001	4	PS PCB ASSY ZLE-B, 230V (for Australia)		DEL
1	LJ9609001	1	PS PCB ASSY ZLE, 230V VA		add
2	UK4426001	1	INLET UNIT, 115V		
2	UK4430001	1	INLET UNIT, 230V		
3	085320816	1	TAPTITE, BIND S M3X8		
4	087320616	1	TAPTITE, CUP S M3X6		
5	LJ4756001	1	AC INLET FILM		
6	LJ8330001	1	PROTECTION TUBE		

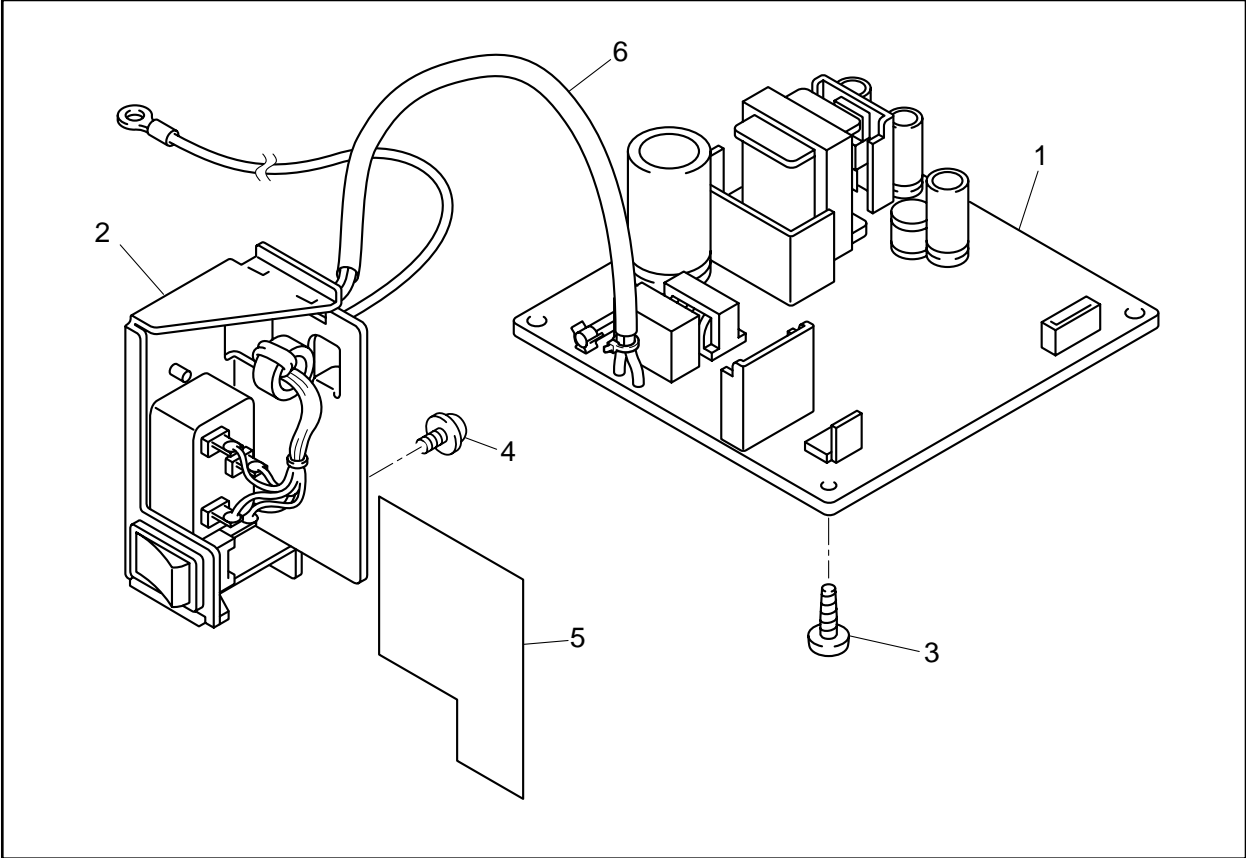
MODEL HL-1230/1440/1450/1470N/1430/1435 84U-Z31/Z32/Z33/Z34/Z36-200/201

8. ENGINE PCB



MODEL HL-1230/1440/1450/1470N 84U-Z31/Z32/Z33/Z34-151

9. LOW-VOLTAGE POWER SUPPLY PCB



MODEL HL-1230/1440/1450/1470N 84U-Z31/Z32/Z33/Z34-200

10. HIGH-VOLTAGE POWER SUPPLY PCB

REF.NO.	CODE	Q'TY	DESCRIPTION	REMARK
4	LJ5831001	4	HIGH-VOLTAGE PS ASSY (SP) (for Australia)	del
1	LF2609001	1	HIGH-VOLTAGE PS ASSY VA (SP)	add
2	085411215	4	SCREW BIND B TITE M4X12	

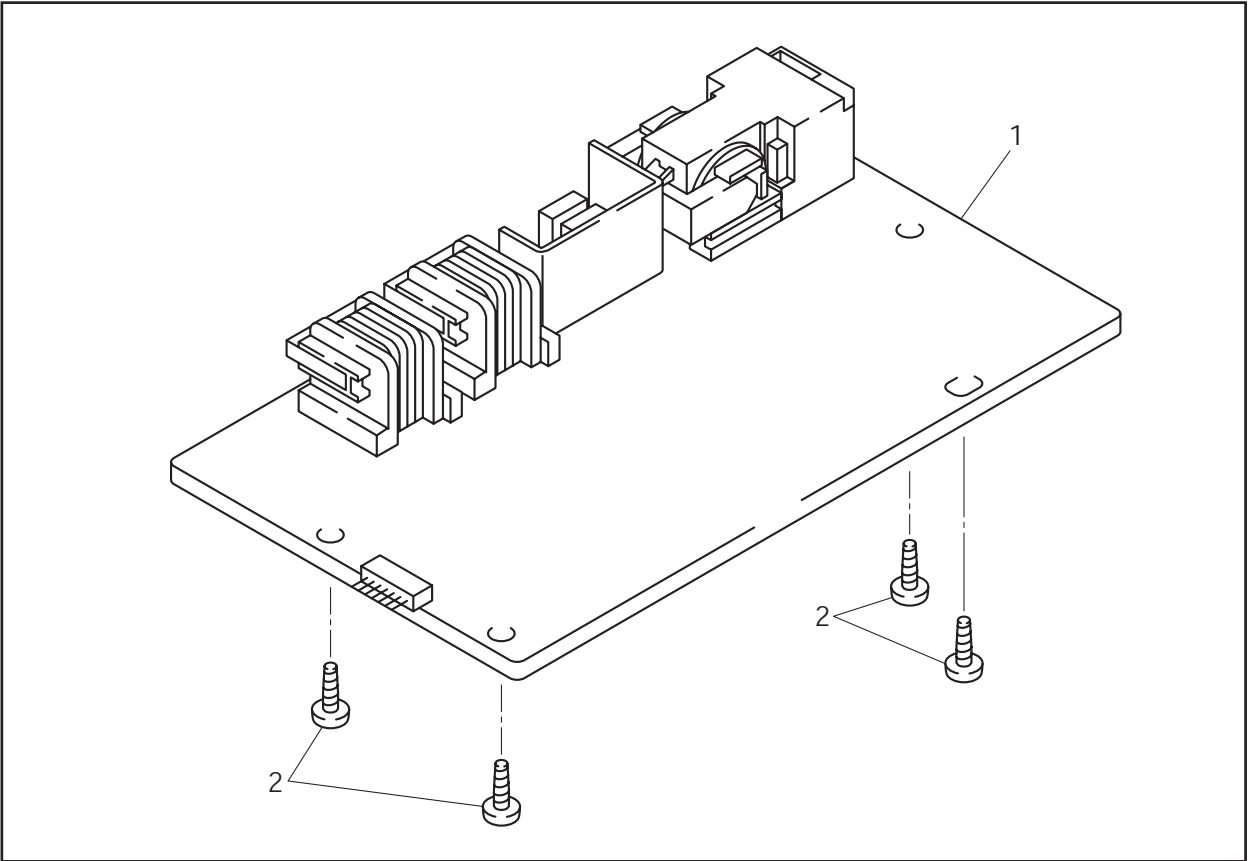
MODEL HL-1230/1440/1450/1470N/1430/1435 84U-Z31/Z32/Z33/Z34/Z36-220

11. AC CORDS

REF.NO.	CODE	Q'TY	DESCRIPTION	REMARK
1A	LJ8875001	1	AC CORD, UL/CSA	chg
1B	LJ9666001	1	AC CORD LF, SAA	
1C	LJ8877001	1	AC CORD ASSY, SEV	
1D	LG3620001	1	AC CORD ARG	
1E	UH1054001	1	AC CORD, BS	
1F	U34322001	1	AC CORD #6, ISRAEL	
1G	UK4094001	1	AC CORD, DEMKO	
1H	UK4501001	1	AC CORD ASSY, VDE	
1I	LJ8288001	1	AC CORD ASSY, SOUTH AFRICA	
1J	LJ9347001	1	AC CORD ASSY, BRA	
1K	LJ9921001	1	AC CORD ASSY LF, BS/PSB	CHG

MODEL HL-1230/1440/1450/1470N/1430/1435 84U-Z31/Z32/Z33/Z34/Z36-230

10. HIGH VOLTAGE POWER SUPPLY PCB



MODEL HL-1230/1440/1450/1470N 84U-Z31/Z32/Z33/Z34-220

11. AC CORD

1A		1G	
1B		1H	
1C		1I	
1D		1J	
1E		1K	
1F			

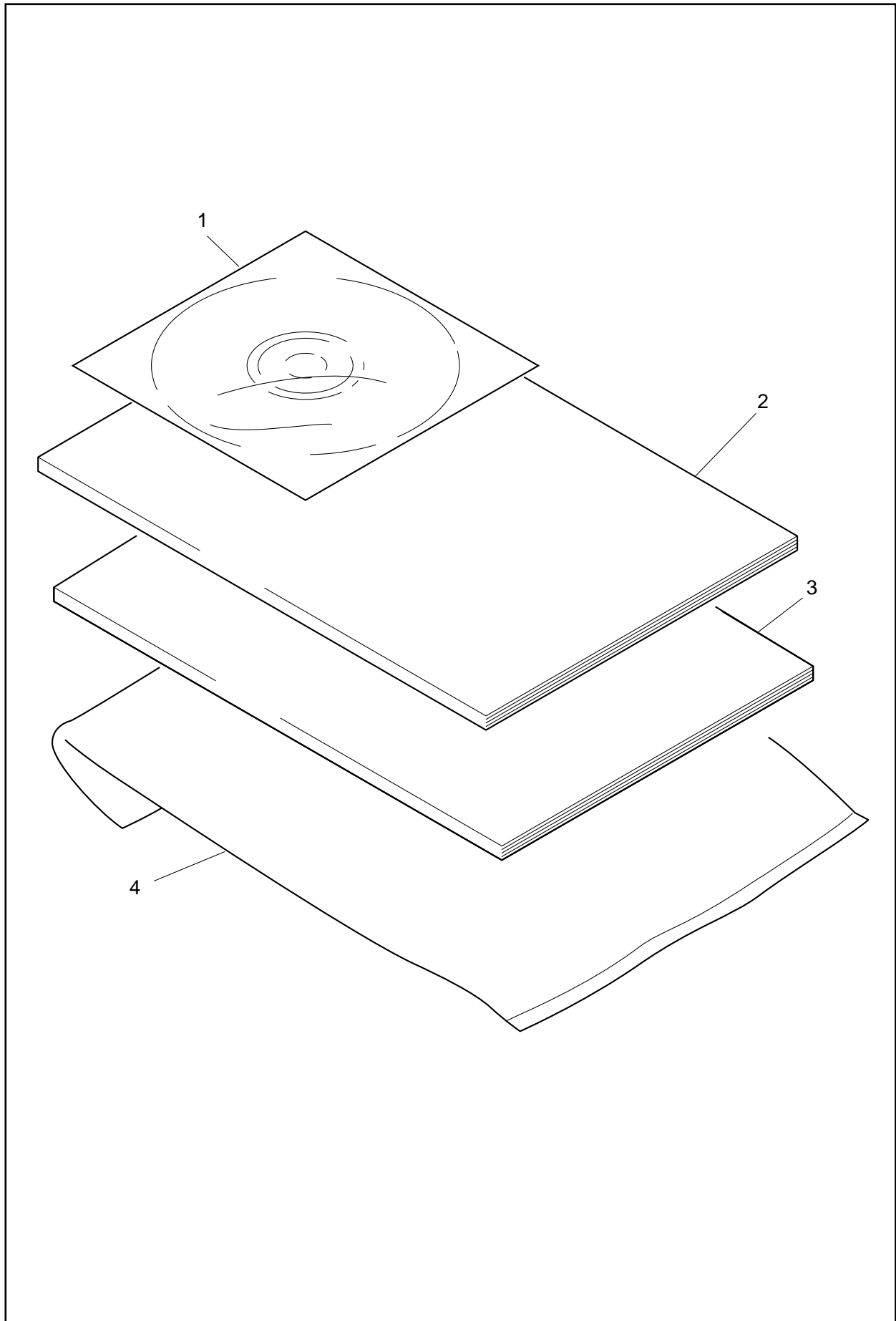
MODEL HL-1230/1440/1450/1470N 84U-Z31/Z32/Z33/Z34-230

12. ACCESSORIES

REF.NO.	CODE	Q'TY	DESCRIPTION	REMARK
1	LJ7018001	1	CD ASSY ZLE	
1	LM2377001	1	CD ASSY ZLE LEN (OEM)	chg
1	LJ5910001	1	CD ASSY ZLE KOR	
1	LJ7201001	1	CD ASSY 1430	add
1	LM2075001	1	CD ASSY 1435	add
1	LM2691001	1	CD ASSY 1430 EAST-EUR	ADD
2	LJ7105001	1	SET GUIDE ENG	
2	LJ7107001	1	SET GUIDE FRE	
2	LJ7106001	1	SET GUIDE GER	
2	LJ7111001	1	SET GUIDE NOR	
2	LJ7108001	1	SET GUIDE DUT	
2	LJ7113001	1	SET GUIDE DEN	
2	LJ7110001	1	SET GUIDE SPA	
2	LJ7109001	1	SET GUIDE ITA	
2	LJ7112001	1	SET GUIDE SWE	
2	LJ7114001	1	SET GUIDE POR	
2	LJ7116001	1	SET GUIDE FIN	
2	LM2383001	1	SET GUIDE ZLE LEN (OEM)	chg
2	LJ7226001	1	SET GUIDE 1430/1435 ENG	chg
2	LJ7388001	1	SET GUIDE 1430/1435 FRE	chg
2	LM2053001	1	SET GUIDE 1430 GER	add
2	LM2054001	1	SET GUIDE 1430 DUT	add
2	LM2055001	1	SET GUIDE 1430 ITA	add
2	LM2056001	1	SET GUIDE 1430/35 SPA	add
2	LM2057001	1	SET GUIDE 1430 NOR	add
2	LM2058001	1	SET GUIDE 1430 SWE	add
2	LM2059001	1	SET GUIDE 1430 DEN	add
2	LM2060001	1	SET GUIDE 1430 POR	add
2	LM2061001	1	SET GUIDE 1430 FIN	add
2	LM2618001	1	SET GUIDE 1430 POL	ADD
2	LM2643001	1	SET GUIDE 1430 HUN	ADD
2	LM2651001	1	SET GUIDE 1430 RUS	ADD
2	LM2653001	1	SET GUIDE 1430 CZE	ADD
3	LJ7117001	1	NETWORK SET GUIDE ENG	
3	LJ7119001	1	NETWORK SET GUIDE FRE	
3	LJ7118001	1	NETWORK SET GUIDE GER	
3	LJ7123001	1	NETWORK SET GUIDE NOR	
3	LJ7120001	1	NETWORK SET GUIDE DUT	
3	LJ7125001	1	NETWORK SET GUIDE DEN	
3	LJ7122001	1	NETWORK SET GUIDE SPA	
3	LJ7121001	1	NETWORK SET GUIDE ITA	
3	LJ7124001	1	NETWORK SET GUIDE SWE	
3	LJ7126001	1	NETWORK SET GUIDE POR	
4	LE5794001	1	BAG, 240x350H P	chg
5	LJ7133001	4	PR DRIVER DISK ASSY W9X (OEM)	del
5	LJ7183001	4	PR DRIVER DISK ASSY W9XUSB (OEM)	del
5	LJ7185001	4	PR DRIVER DISK ASSY WNT (OEM)	del
5	LJ7187001	4	PR DRIVER DISK ASSY W2K/XP (OEM)	del
6	LM2382001	1	USER'S MANUAL, ZLE LEN (OEM)	chg
7	UG4558001	1	I/F CABLE FE LGE (OEM)	

MODEL HL-1230/1440/1450/1470N/1430/1435 84U-Z31/Z32/Z33/Z34/Z36-920

12. ACCESSORIES



MODEL HL-1230/1440/1450/14700N 84U-Z31/Z32/Z33/Z34-920

13. PACKING MATERIALS

REF.NO.	CODE	Q'TY	DESCRIPTION	REMARK
1	LL0649001	1	CARTON, HL-1230 US/CAN	
1	LL0466001	1	CARTON, HL-1230 EUR	
1	LL0648001	1	CARTON, HL-1230 SGP	add
1	LL0649001	1	CARTON, HL-1230 US/CAN	add
1	LL0453001	1	CARTON, HL-1440 US	
1	LL0454001	1	CARTON, HL-1440 EUR	
1	LL0558001	1	CARTON, HL-1440 SGP	
1	LL0511001	1	CARTON, HL-1440 KOR	
1	LL0455001	1	CARTON, HL-1450 US	
1	LL0456001	1	CARTON, HL-1450 EUR	
1	LL0559001	1	CARTON, HL-1450 SGP	
1	LL0467001	1	CARTON, HL-1470N US	
1	LL0468001	1	CARTON, HL-1470N EUR	
1	LL0560001	1	CARTON, HL-1470N SGP	
1	LL0520001	1	CARTON, HL-1470 KOR	
1	LL0812001	1	CARTON, LJ2500 LEN (OEM)	CHG
1	LL0573001	1	CARTON, LJ2600 LEG (OEM)	
1	LL0557001	1	CARTON, HL-1435 (Canada, Chile)	chg
1	LL0764001	1	CARTON, HL-1435 (US)	add
1	LL0610001	1	CARTON, HL-1430 SPG/GULF	add
1	LL0613001	1	CARTON, HL-1430 EUR	chg
2	UE2280001	1	STYROFORM PAD ASSY, LGL	
2	LJ4038001	1	STYROFORM PAD ASSY, A4	
3	UE2283001	1	ACCESSORY CARTON	
4	LJ5584001	1	BAG, 700X800H	
5	LJ5557001	1	PROCESS BAG 400X480	

MODEL HL-1230/1440/1450/1470N/1430/1435 84U-Z31/Z32/Z33/Z34/Z36-930

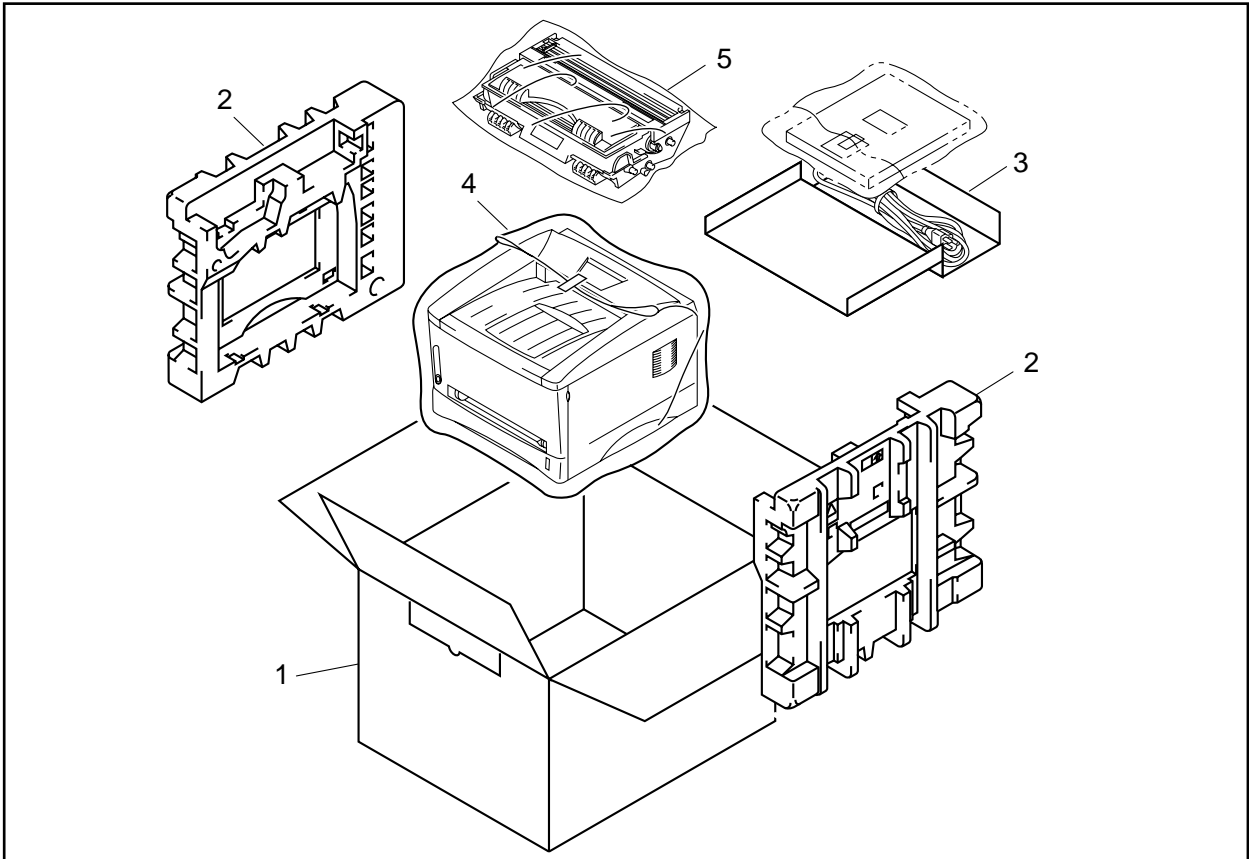
T/I NO. PR2002085 / PR2002096 /PR2002149/ PR2002153

14. NETWORK BOARD

REF.NO.	CODE	Q'TY	DESCRIPTION	SYMBOL	REMARK
1	LJ8059001	1	BRNET PCB UNIT		
1-1	087320616	2	TAPTITE, CUP S M3X6		

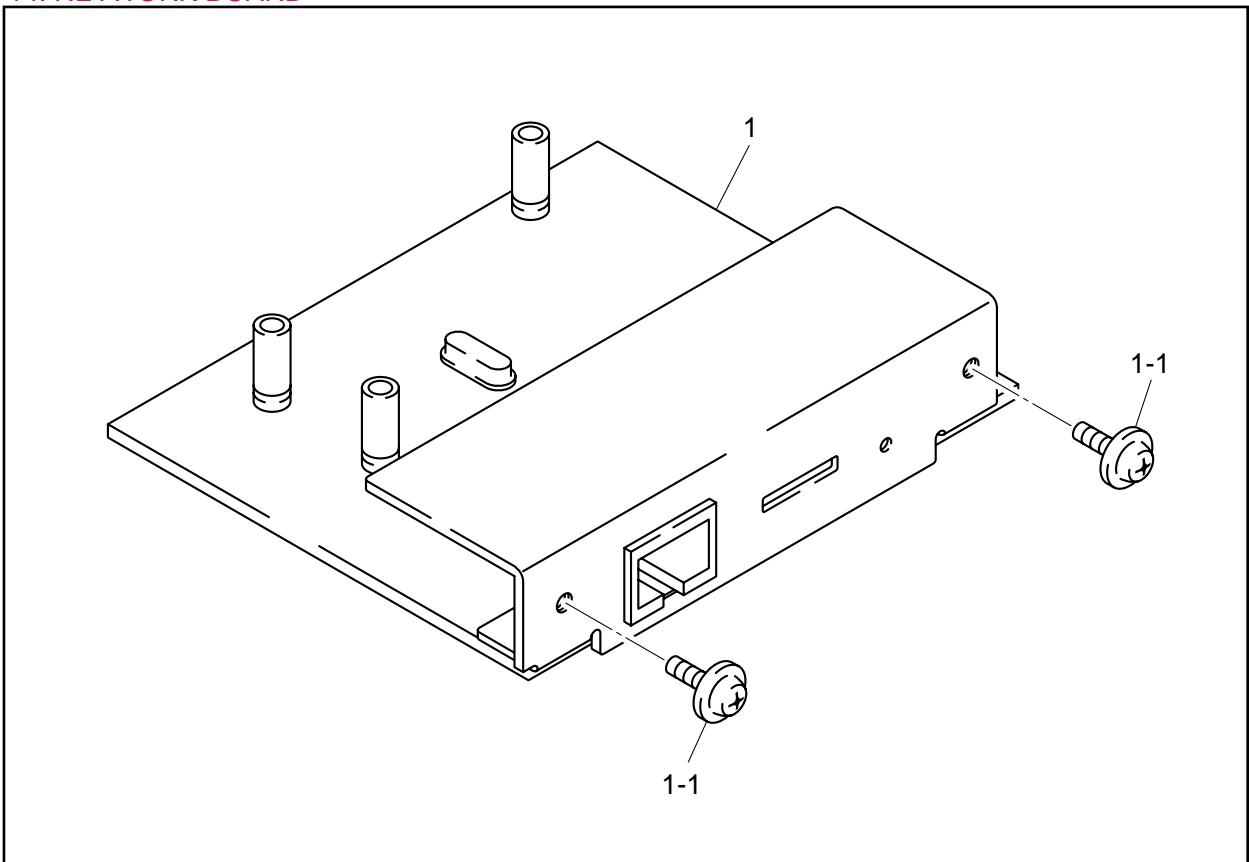
MODEL HL-1470N 84U-Z34-150

13. PACKING MATERIALS



MODEL HL-1230/1440/1450/1470N 84U-Z31/Z32/Z33/Z34-930

14. NETWORK BOARD



MODEL HL-1470N 84U-Z34-150