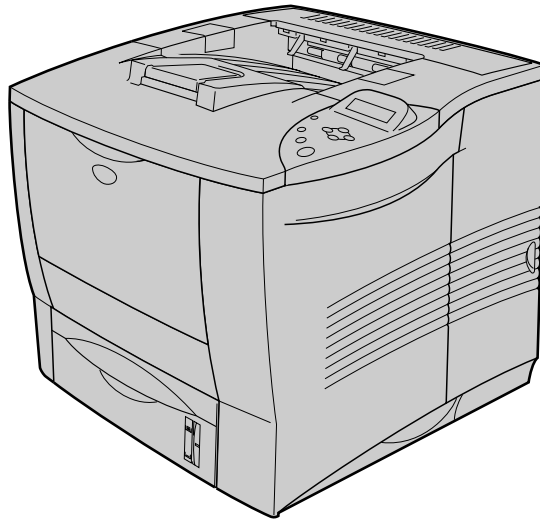




Brother Laser Printer **SERVICE MANUAL**

MODEL: HL-2460 / 2460N



Read this manual thoroughly before maintenance work.

Keep this manual in a convenient place for quick and easy reference at all times.

Sep 2001
SM-PRN010

SAMPLE PAGE ONLY



ServiceManual-Ebook.com

PREFACE

This service manual contains basic information required for after-sales service of the laser printer (hereinafter referred to as "this machine" or "the printer"). This information is vital to the service technician to maintain the high printing quality and performance of the printer.

This service manual covers the **HL-2460 / 2460N** printers.

This manual consists of the following chapters:

- CHAPTER 1: GENERAL**
Features, specifications, etc.
- CHAPTER 2: INSTALLATION AND BASIC OPERATION**
Installation conditions, Installation procedures, basic operation of the printer etc.
- CHAPTER 3: THEORY OF OPERATION**
Basic operation of the mechanical system, the electrical system and the electrical circuits and their timing information.
- CHAPTER 4: DISASSEMBLY AND RE-ASSEMBLY**
Procedures for disassembling and re-assembling the mechanical system.
- CHAPTER 5: MAINTENANCE**
Periodical replacements parts, consumable parts, etc.
- CHAPTER 6: TROUBLESHOOTING**
Reference values and adjustments, troubleshooting image defects, troubleshooting malfunctions, etc.
- CHAPTER 7: HIDDEN FUNCTIONS**
Professional Menu mode and Service Menu mode, etc.
- APPENDICES:** Serial No. descriptions, page counter, Diameter / circumference of rollers, Connection diagrams, PCB circuit diagrams, etc.

Information in this manual is subject to change due to improvement or redesign of the product. All relevant information in such cases will be supplied in service information bulletins (Technical Information).

A thorough understanding of this printer, based on information in this service manual and service information bulletins, is required for maintaining its print quality performance and for improving the practical ability to find the cause of problems.

TABLE OF CONTENTS

REGULATION	viii
SAFETY INFORMATION	x
CHAPTER 1 GENERAL	1-1
1. FEATURES	1-1
2. OVERVIEW	1-3
3. SPECIFICATIONS	1-4
3.1 Printing	1-4
3.2 Functions	1-5
3.3 Options	1-5
3.4 Electrical and Mechanical	1-6
3.5 Network	1-6
3.6 Paper	1-7
3.6.1 Feedable paper	1-7
3.6.2 Print delivery	1-9
3.7 Printable Area	1-10
3.7.1 PCL5e/EPSON/IBM emulation	1-10
3.7.2 PCL6/BR-Script3 emulation	1-13
CHAPTER 2 INSTALLATION AND BASIC OPERATION	2-1
1. CONDITIONS REQUIRED FOR INSTALLATION	2-1
1.1 Power Supply	2-1
1.2 Environment	2-1
1.3 System Requirements for Brother Printer Solution for Windows®	2-1
2. UNPACKING	2-2
3. INSTALL THE PRINTER	2-3
3.1 For All Users	2-3
3.1.1 Remove the protective parts	2-3
3.1.2 Install the toner cartridge	2-4
3.1.3 Load paper into the paper cassette	2-5
3.1.4 Print a test page	2-6
3.2 For Parallel Interface Cable Users (for Windows® users only)	2-6
3.3 For USB Interface Cable Users (for Windows® users only)	2-7
3.3.1 Install the driver & connect the printer to your PC	2-7
3.3.2 Setting the PC printer port	2-8
3.4 For Network Users	2-8
3.4.1 For the administrator	2-8
3.4.2 Installing the driver for Windows® users only	2-9
3.4.3 Installing the driver for Macintosh® users only	2-11
4. PRINTING METHODS	2-12
4.1 Printing from Upper Paper Tray (Face down printing)	2-12
4.2 Printing from Multi-purpose Tray	2-13

4.3	Printing on Envelopes (Face up printing)	2-15
4.4	Printing on Label, Transparency, etc.	2-16
4.5	Printing to the Face up Output Tray (Face up printing).....	2-17
4.6	Manual Feed	2-18
5.	CONTROL PANEL OPERATION.....	2-19
5.1	Data LED Indications	2-19
5.2	Panel Switches Functions	2-20
5.2.1	Go switch	2-20
5.2.2	Job Cancel switch	2-20
5.2.3	Reprint switch	2-21
5.2.4	+ & - switch	2-25
5.2.5	Set switch.....	2-25
5.2.6	Back switch	2-25
5.3	LCD Display	2-26
5.3.1	Backlights	2-26
5.3.2	LCD message	2-26
5.4	How to Use the Control Panel.....	2-27
5.5	Control Panel Setting Menu	2-29
5.5.1	Information.....	2-30
5.5.2	Paper	2-31
5.5.3	Quality.....	2-31
5.5.4	Setup	2-32
5.5.5	Print menu	2-33
5.5.6	Network.....	2-36
5.5.7	Interface.....	2-36
5.5.8	Reset menu	2-37
5.5.9	Set date and time.....	2-38
5.5.10	Set IP address	2-39
5.5.11	About emulation modes	2-40
5.5.12	List of factory settings	2-41
5.6	Other Control Features	2-45
5.6.1	Sleep mode.....	2-45
5.6.2	Inspection mode	2-45
6.	NETWORK BOARD OPERATION.....	2-46
6.1	Installing the Network Board	2-46
6.2	Functions.....	2-48
6.2.1	LED functions	2-48
6.2.2	Factory default setting	2-48

CHAPTER 3 THEORY OF OPERATION..... 3-1

1.	ELECTRONICS	3-1
1.1	General Block Diagram	3-1
1.2	Main PCB	3-2
1.2.1	Outline	3-2
1.2.2	Circuit.....	3-4
1.3	Engine PCB.....	3-6
1.4	Power Supply	3-7
1.4.1	Low-voltage power supply	3-7
1.4.2	High-voltage power supply.....	3-9

2. MECHANICS	3-11
2.1 Overview of Printing Mechanism.....	3-11
2.2 Paper Transfer	3-13
2.2.1 Paper supply	3-13
2.2.2 Paper registration	3-13
2.2.3 Paper eject.....	3-14
2.3 Sensors	3-15
2.3.1 Cover open sensor.....	3-15
2.3.2 Multi paper tray paper empty sensor	3-15
2.3.3 Tray paper empty sensor.....	3-16
2.3.4 Face up open sensor / Fuser exit sensor.....	3-16
2.3.5 Full stack sensor.....	3-17
2.3.6 Eject sensor	3-17
2.3.7 Paper size sensor / Tray ID sensor.....	3-18
2.4 Toner Cartridge Unit.....	3-19
2.4.1 Photosensitive drum	3-19
2.4.2 Primary charging roller.....	3-19
2.4.3 Transfer roller.....	3-19
2.4.4 Cleaner	3-19
2.4.5 Toner cartridge.....	3-19
2.5 Print Process.....	3-20
2.5.1 Charging	3-20
2.5.2 Exposure stage.....	3-20
2.5.3 Developing	3-21
2.5.4 Transfer.....	3-22
2.5.5 Fixing stage.....	3-22
 CHAPTER 4 DISASSEMBLY AND RE-ASSEMBLY	 4-1
1. SAFETY PRECAUTIONS	4-1
2. DISASSEMBLY FLOW	4-2
3. DISASSEMBLY PROCEDURE	4-3
3.1 AC Cord	4-3
3.2 Toner Cartridge	4-3
3.3 Paper Cassette	4-4
3.4 MP Tray.....	4-10
3.5 FU Protection Cover.....	4-12
3.6 Side Cover L / R.....	4-13
3.7 Switch Panel.....	4-14
3.8 Open Cover / Top Cover	4-16
3.9 Rear Cover ASSY	4-21
3.10 Fixing Unit	4-23
3.11 Paper Eject.....	4-29
3.12 Laser Unit.....	4-32
3.13 Front Cover 1 / Front Cover 2	4-33
3.14 MP Tray Unit	4-34
3.15 Fan Motor 80.....	4-39
3.16 Main Motor ASSY.....	4-39
3.17 Feeding Motor ASSY.....	4-40
3.18 Drive Unit.....	4-41

3.19 Electromagnetic Clutch Regist.....	4-43
3.20 Main PCB	4-44
3.21 Engine PCB.....	4-45
3.22 Base Plate	4-46
3.23 Low-voltage Power Supply PCB ASSY / High-voltage Power Supply PCB ASSY	4-47
3.24 Transfer Base ASSY	4-49
3.25 Paper Feed	4-52
3.26 Eject Sensor PCB ASSY	4-57
3.27 Size SW PCB	4-58
3.28 Fan Motor 60.....	4-60
4. PACKING	4-61

CHAPTER 5 PERIODIC MAINTENANCE 5-1

1. CONSUMABLE PARTS	5-1
1.1 Toner Cartridge.....	5-1
2. PERIODICAL REPLACEMENT PARTS.....	5-4
3. PERIODICAL CLEANING.....	5-5
3.1 Cleaning the Printer Exterior	5-5
3.2 Cleaning the Printer Interior	5-6
4. MTBF / MTTR.....	5-8

CHAPTER 6 TROUBLESHOOTING 6-1

1. INTRODUCTION.....	6-1
1.1 Initial Check.....	6-1
1.2 Warnings for Maintenance Work	6-2
1.3 Identify the Problem	6-3
2. OPERATOR CALLS & SERVICE CALLS	6-4
2.1 Operator Call Messages	6-4
2.2 Service Call Messages.....	6-7
3. PAPER PROBLEMS.....	6-11
3.1 Paper Loading Problems.....	6-11
3.2 Paper Jams	6-12
3.2.1 Clearing jammed paper	6-14
3.2.2 Countermeasures for paper jams	6-20
3.3 Paper Feeding Problems	6-21
4. SOFTWARE SETTING PROBLEMS	6-23
5. MALFUNCTIONS	6-26
6. IMAGE DEFECTS	6-32
6.1 Image Defect Examples.....	6-32
6.2 Troubleshooting Image Defect.....	6-33
7. INCORRECT PRINTOUT	6-48
8. NETWORK PROBLEM.....	6-50
8.1 Installation Problem.....	6-51
8.2 Intermittent Problem.....	6-52

8.2	Intermittent Problem.....	6-52
8.3	TCP/IP Troubleshooting.....	6-53
8.4	UNIX Troubleshooting.....	6-53
8.5	Windows NT/LAN Server (TCP/IP) Troubleshooting.....	6-54
8.6	Windows 95/98/Me Peer to Peer Print (LPR) Troubleshooting.....	6-54
8.7	Windows 95/98/Me Peer to Peer (HP JetAdmin Compatible Method) Troubleshooting.....	6-55
8.8	Windows 95/98/Me/NT 4.0/2000 Peer to Peer Print (NetBIOS) Troubleshooting.....	6-55
8.9	Internet Print (TCP/IP) Troubleshooting.....	6-55
8.10	Novell Netware Troubleshooting.....	6-56
8.11	AppleTalk Troubleshooting.....	6-56
8.12	Apple TCP/IP Printing (System 8.6 or later).....	6-57
8.13	Web Browser Troubleshooting (TCP/IP).....	6-57
9.	INSPECTION MODE.....	6-58
9.1	Before the Operation.....	6-58
9.2	Line Inspection Mode Procedure.....	6-58

CHAPTER 7 HIDDEN FUNCTIONS..... 7-1

1.	ENTERING HIDDEN FUNCTION MENU MODES.....	7-1
2.	PROFESSIONAL MENU MODE.....	7-2
2.1	Enabling and Disabling Professional Menu Mode.....	7-2
2.2	Function Table.....	7-3
3.	SERVICE MENU MODE.....	7-10
3.1	Entering the Service Menu Mode.....	7-10
3.2	Function Table.....	7-10
4.	OTHER HIDDEN FUNCTION MENUS.....	7-13
4.1	Hidden Function Menus Enabled by Pressing Switch(es) When Turning the Machine on....	7-13
4.2	Parts life Reset Function.....	7-14

APPENDICES

1.	CONNECTION DIAGRAM, HL-2460 / 2460N.....	A-1
2.	MAIN PCB CIRCUIT DIAGRAM, HL-2460 / 2460N (1/8).....	A-2
3.	MAIN PCB CIRCUIT DIAGRAM, HL-2460 / 2460N (2/8).....	A-3
4.	MAIN PCB CIRCUIT DIAGRAM, HL-2460 / 2460N (3/8).....	A-4
5.	MAIN PCB CIRCUIT DIAGRAM, HL-2460 / 2460N (4/8).....	A-5
6.	MAIN PCB CIRCUIT DIAGRAM, HL-2460 / 2460N (5/8).....	A-6
7.	MAIN PCB CIRCUIT DIAGRAM, HL-2460 / 2460N (6/8).....	A-7
8.	MAIN PCB CIRCUIT DIAGRAM, HL-2460 / 2460N (7/8).....	A-8
9.	MAIN PCB CIRCUIT DIAGRAM, HL-2460 / 2460N (8/8).....	A-9
10.	ENGINE PCB CIRCUIT DIAGRAM, HL-2460 / 2460N (1/2).....	A-10
11.	ENGINE PCB CIRCUIT DIAGRAM, HL-2460 / 2460N (2/2).....	A-11
12.	LOW-VOLTAGE POWER SUPPLY PCB CIRCUIT DIAGRAM, HL-2460/ 2460N.....	A-12
13.	HIGH-VOLTAGE POWER SUPPLY PCB CIRCUIT DIAGRAM, HL-2460 / 2460N (1/2).....	A-13

14. HIGH-VOLTAGE POWER SUPPLY PCB CIRCUIT DIAGRAM, HL-2460 / 2460N
(2/2)..... A-14

14B. NETWORKBOARD PCB CIRCUIT DIAGRAM, HL-2460N A-14B

15. SERIAL NO. DESCRIPTIONS..... A-15

16. DIAMETER / CIRCUMFERENCE OF ROLLERS..... A-16

17. PRINT SPEEDS WITH VARIOUS SETTINGS..... A-17

18. HOW TO KNOW PAGE COUNTER & PARTS LIFE..... A-19

19. HOW TO USE THE SELF-DIAGNOSTICS TOOLS..... A-21

20. NVRAM DEFAULT VALUE..... A-25

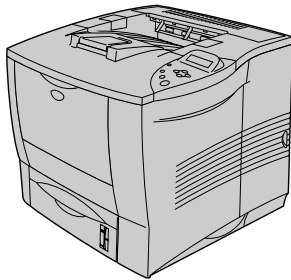
21. PAPER CASSETTE INFORMATION (FOR EUROPE ONLY)..... A-26

INDEX



Brother Laser Printer PARTS REFERENCE LIST

MODEL: HL-2460



Read this list thoroughly before maintenance work.
Keep this list in a convenient place for quick and easy reference at all times.

March 2001
PL-PRN011

NOTE FOR USING THIS PARTS REFERENCE LIST

1. In the case of ordering parts, it needs mentioning the following items:
 - (1) Code
 - (2) Q'ty
 - (3) Description
 - (4) Symbol (PCB No., Revision, and Parts location mounted on the PCB.)

Note: No orders without Parts Code or Tool No. can be accepted.

< Example >

REF.NO.	CODE	Q'TY	DESCRIPTION	SYMBOL	REMARK

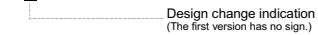
Revision No.: marked on the **main printed circuit board**.

B48K056 - 201A



Revision No.: marked on the **power supply printed circuit board**.

Rev. **A**

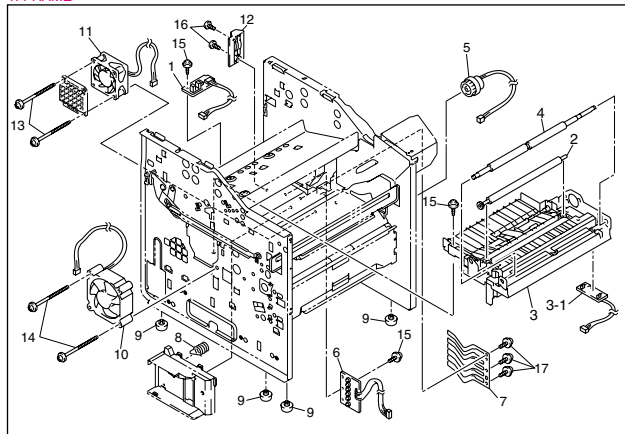


2. Design-changed parts:
If the parts are changed, any one of the following symbols is indicated in the REMARKS column.
 - #A: Compatible between old and new
 - #B: Replaceable from old to new
 - #D: Incompatible
 - #: Newly established
3. The original of this list was made based on the information available in March 2001.
4. Parts are subject to change in design without prior notice.

CONTENTS

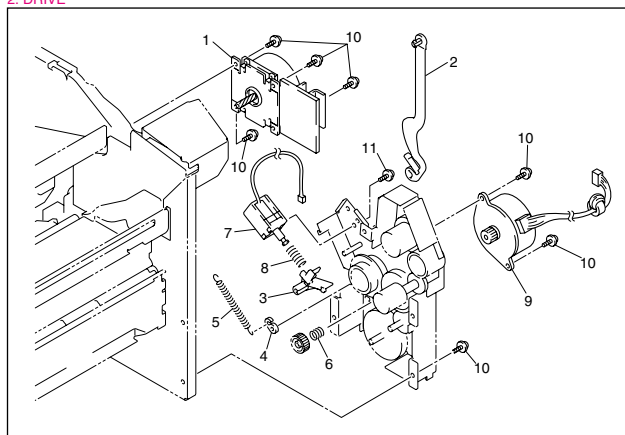
1. FRAME	1
2. DRIVE	1
3. SCANNER UNIT	3
4. PAPER EJECT	3
5. PAPER FEED	5
6. MP TRAY	5
7. PAPER TRAY	7
8. FIXING UNIT	9
9. COVERS / LABELS	11
10. SWITCH PANEL	13
11. MAIN PCB	13
12. ENGINE PCB	15
13. HIGH-VOLTAGE POWER SUPPLY PCB	15
14. LOW-VOLTAGE POWER SUPPLY PCB	17
15. AC CORDS	17
16. ACCESSORIES	19
17. PACKING MATERIALS	21
18. PERIODICAL MAINTENANCE PARTS	23

1. FRAME



T/I NO. PR2001044

2. DRIVE



T/I NO. PR2001044

1. FRAME

REF.NO	CODE	QTY	DESCRIPTION	REMARK
1	LJ8530001	1	EJECT SENSOR PCB ASSY	
2	LJ0893001	1	TRANSFER ROLLER 52 ASSY	
3	LJ0149001	1	TRANSFER BASE ASSY	
3-1	LJ8534001	1	SENSOR RELAY PCB R ASSY	
4	LJ0173001	1	REGIST ROLLER ASSY	
5	LJ0175001	1	ELECTROMAGNETIC CLUTCH REGIST	
6	LJ8538001	1	SIZE SW PCB ASSY	
7	LJ0193001	1	SIZE SWITCH SPRING	
8	LJ0364001	1	GUIDE PLATE SPRING	
9	UH2208001	4	RUBBER FOOT	
10	LJ0214001	1	FAN MOTOR 80	
11	LJ0259001	1	FAN MOTOR 60	
12	LJ0551001	1	CF SLOT	
13	LJ0670001	2	TAPTITE, PAN B M3X35	
14	087323016	2	TAPTITE, CUP S M3X30	
15	087320616	3	TAPTITE, CUP S M3X6	
16	085320616	2	TAPTITE, BIND B M3X6	
17	LJ0822001	3	TAPTITE, CUP S M3X4	

T/I NO. PR2001044

2. DRIVE

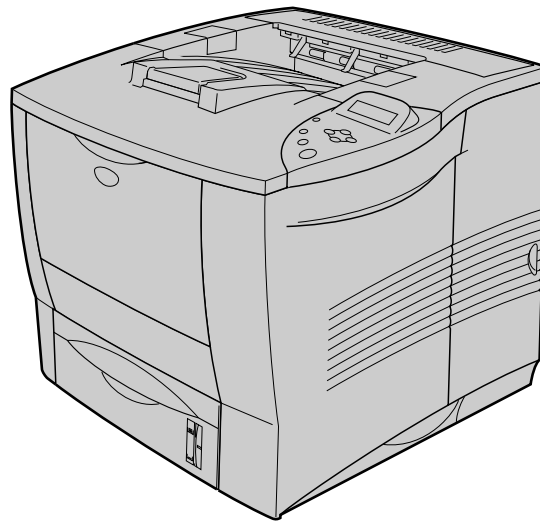
REF.NO	CODE	QTY	DESCRIPTION	REMARK
1	LJ0227001	1	MAIN MOTOR ASSY	
2	LJ0232001	1	DRUM GEAR LINK	
3	LJ0244001	1	SOLENOID LEVER	
4	UH2378000	1	SPRING HOOK	
5	LJ0247001	1	SECTOR GEAR 35 SPRING	
6	LJ0264001	1	FRICTION SPRING	
7	LJ0265001	1	SOLENOID ASSY	
8	LJ0309001	1	SOLENOID SPRING MP	
9	LJ0267001	1	FEEDING MOTOR ASSY	
10	087320616	7	TAPTITE, CUP S M3X6	
11	U11776001	1	SCREW, FLANGED M3X3.5	

T/I NO. PR2001044



Brother Laser Printer **PARTS REFERENCE LIST**

MODEL: HL-2460 / 2460N



Read this list thoroughly before maintenance work.

Keep this list in a convenient place for quick and easy reference at all times.

September 2001
PL-PRN011



CONTENTS

1.	<u>FRAME</u>	1
2.	<u>DRIVE</u>	1
3.	<u>LASER UNIT</u>	3
4.	<u>PAPER EJECT</u>	3
5.	<u>PAPER FEED</u>	5
6.	<u>MP TRAY</u>	5
7.	<u>PAPER TRAY</u>	7
8.	<u>FIXING UNIT</u>	9
9.	<u>COVERS / LABELS</u>	11
10.	<u>SWITCH PANEL</u>	13
11.	<u>MAIN PCB</u>	13
12.	<u>ENGINE PCB</u>	15
13.	<u>HIGH-VOLTAGE POWER SUPPLY PCB</u>	15
14.	<u>LOW-VOLTAGE POWER SUPPLY PCB</u>	17
15.	<u>AC CORDS</u>	17
16.	<u>ACCESSORIES</u>	19
17.	<u>PACKING MATERIALS</u>	21
18.	<u>PERIODICAL MAINTENANCE PARTS</u>	23
19.	<u>NET WORKBOARD</u>	25



SERVICE MANUAL E-BOOK

<http://www.servicemanual-ebook.com>

EN - Thank you for downloading these sample pages.
To obtain the complete manual please click below:

[Brother HL-2460, HL-2460N service manual](#)

DE - Dankeschön für das Herunterladen dieser Musterseiten.
Zum Download der kompletten Anleitung klicken Sie bitte unten:

[Brother HL-2460, HL-2460N service manual](#)

ES - Gracias por descargar estas páginas de muestra.
Para descargar el manual completo, por favor haga clic a continuación:

[Brother HL-2460, HL-2460N service manual](#)

FR - Merci d'avoir téléchargé ces pages échantillon.
Pour télécharger le manuel complet s'il vous plaît cliquez ci-dessous:

[Brother HL-2460, HL-2460N service manual](#)

IT - Grazie per aver scaricato queste pagine di esempio.
Per scaricare il manuale completo clicca qui sotto:

[Brother HL-2460, HL-2460N service manual](#)

NL - Bedankt voor het downloaden van deze sample pagina's.
Voor het downloaden van de volledige handleiding kunt u hieronder klikken:

[Brother HL-2460, HL-2460N service manual](#)

PL - Dziękujemy za pobranie tych przykładowych stron.
Aby pobrać kompletny podręcznik proszę kliknąć poniżej:

[Brother HL-2460, HL-2460N service manual](#)

PT - Obrigado por carregar essas páginas de amostra.
Para obter o manual completo clique abaixo:

[Brother HL-2460, HL-2460N service manual](#)

RU - Благодарим Вас за загрузку этих образцов страниц.
Чтобы получить полное руководство, пожалуйста, нажмите ниже:

[Brother HL-2460, HL-2460N service manual](#)

