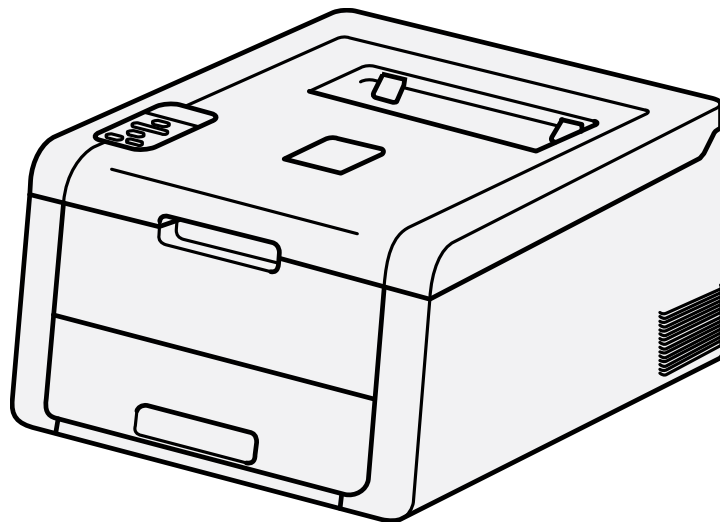




Color Printer **PARTS REFERENCE LIST**

**MODEL:HL-3140CW/
3150CDW/3170CDW**



Read this list thoroughly before maintenance work.

Keep this list in a convenient place for quick and easy reference at all times.

NOTE FOR USING THIS PARTS REFERENCE LIST

1. In the case of ordering parts, it is necessary to mention the following items:

- (1) Code
- (2) Q'ty
- (3) Description

<Example>

	(1)	(2)	(3)			
REFNo.	CODE	Q'TY	DESCRIPTION	MODEL	SPEC	REMARKS

2. Design-changed parts:

If any of the parts is changed, one of the following symbols is indicated in the REMARK column.

CHG (chg): The part is changed for a new one.

ADD (add): The part is newly added.

DEL (del): The part is deleted.

Symbol in capital letters indicates the latest parts change information in the page.

3. Parts change will be informed by the Parts change information.

4. Parts are subject to change in design without prior notice.

COUNTRIES & AREAS

US ----- U.S.A.

CAN ----- CANADA

GER ----- GERMANY

UK ----- UNITED KINGDOM

CHE ----- SWITZERLAND

ITA ----- ITALY

RUS----- RUSSIA

FRA/BEL/NLD -----

FRANCE/BELGIUM/NETHERLANDS

PND ----- PAN-NORDIC

(NORWAY/FINLAND/DENMARK/SWEDEN)

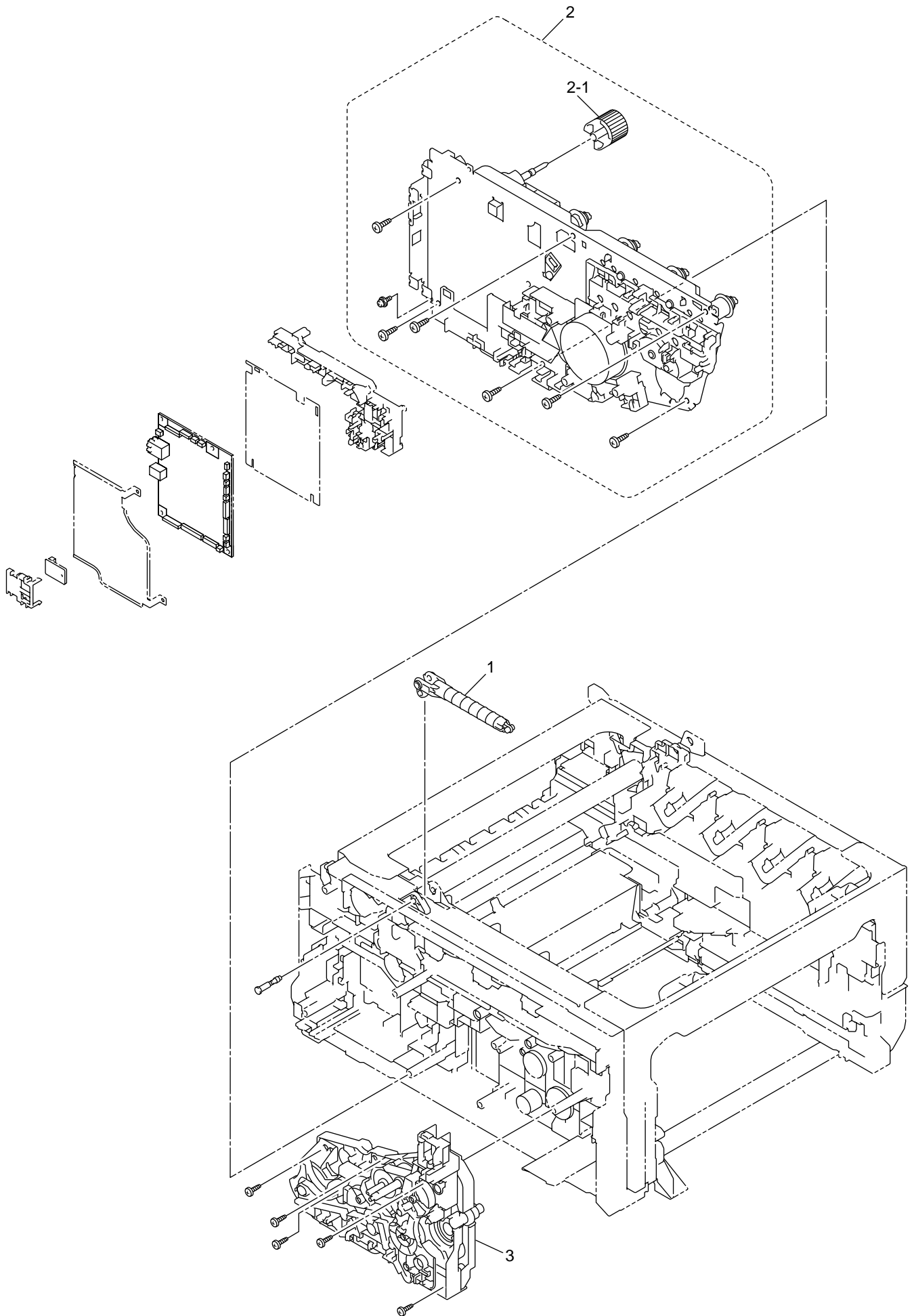
IBR ----- IBERIA (SPAIN & PORTUGAL)

CEE-----CEE GENERAL

CONTENTS

1.	<u>FRAME L & DRIVE UNIT</u>	1
2.	<u>FRAME R UNIT</u>	3
3.	<u>FRAME</u>	5
4.	<u>LED TOP COVER</u>	7
5.	<u>PAPER FEEDER</u>	9
6.	<u>DUPLEX</u>	11
7.	<u>PAPER TRAY</u>	13
8.	<u>FUSER UNIT</u>	15
9.	<u>PAPER EJECT</u>	17
10.	<u>COVERS & LABELS</u>	19
11.	<u>PCB</u>	21
12.	<u>ACCESSORIES</u>	23
13.	<u>PACKING MATERIALS</u>	25
14.	<u>PERIODICAL MAINTENANCE PARTS</u>	27

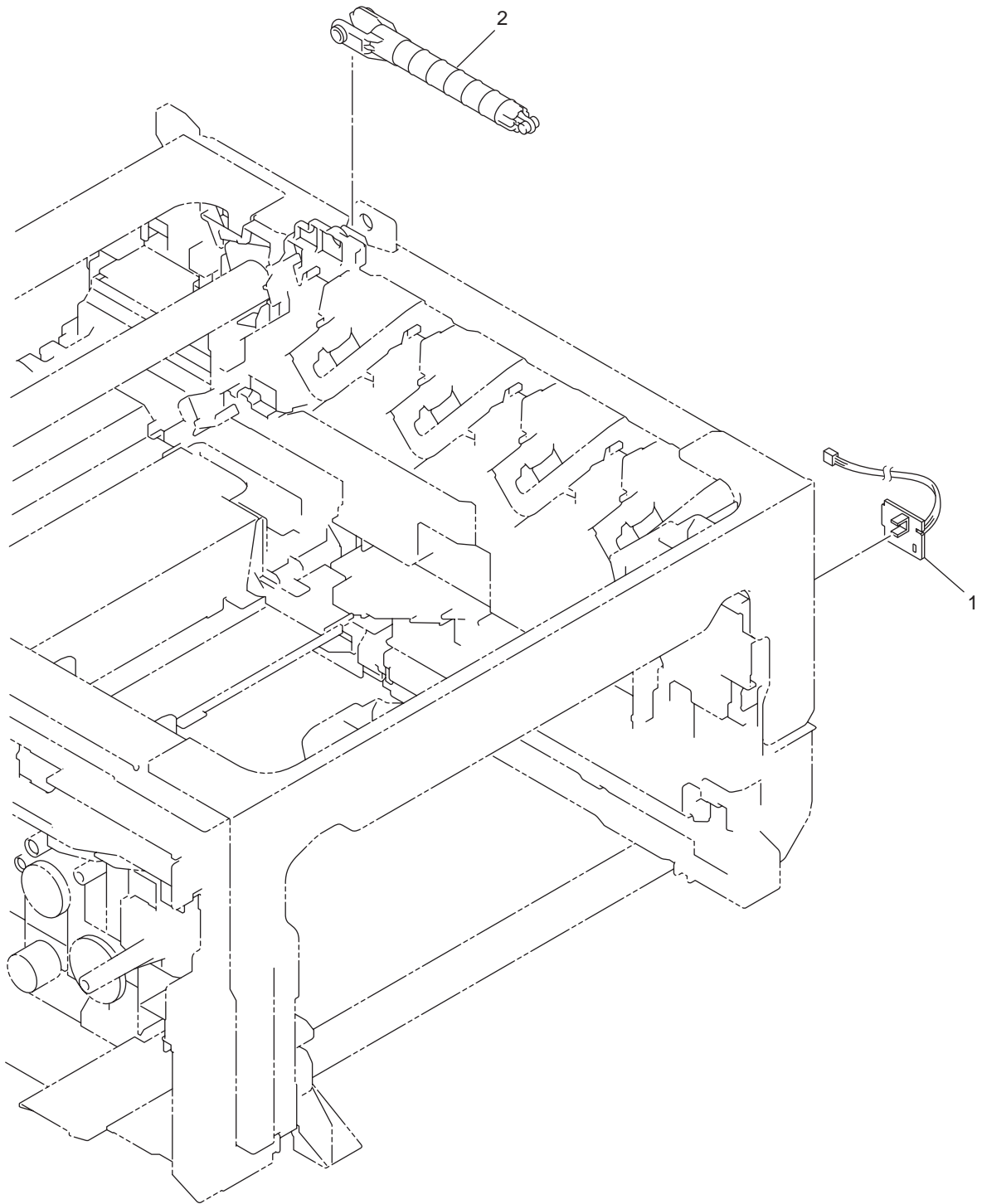
1.FRAME L & DRIVE UNIT



1. FRAME L & DRIVE UNIT

REF No.	CODE	QTY	DESCRIPTION	MODEL	SPEC	REMARKS
1	LY6038001	1	DAMPER L ASSY			
2	LY6045001	1	PROCESS DRIVE UNIT			
2-1	LY0233001	1	FUSER DRIVE GEAR Z25			
3	LY6100001	1	MAIN DRIVE UNIT			

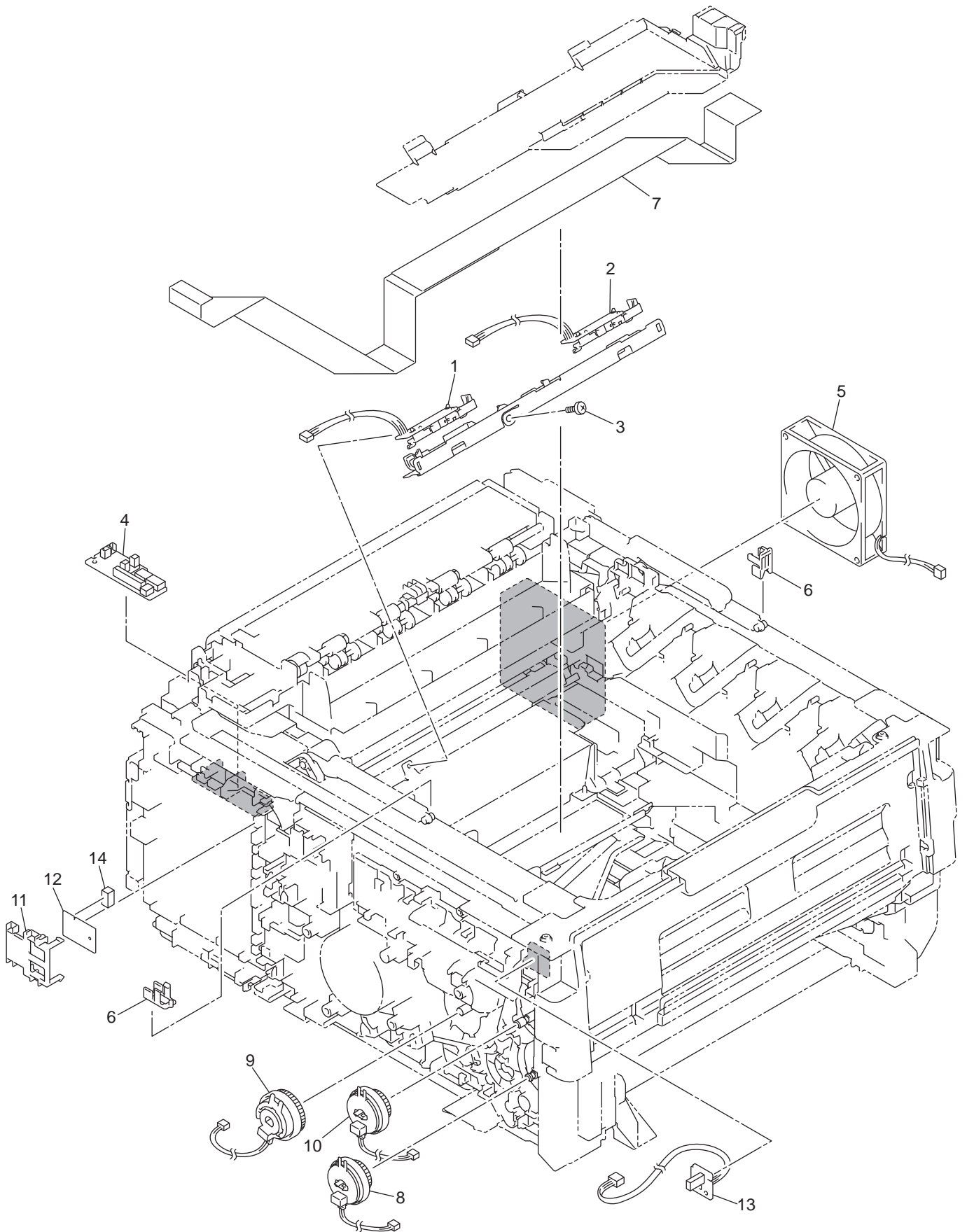
2.FRAME R UNIT



2. FRAME R UNIT

REF No.	CODE	QTY	DESCRIPTION	MODEL	SPEC	REMARKS
1	LV0885001	1	DEVELOP RELEASE SENSOR PCB ASSY			
2	LY6174001	1	DAMPER R ASSY			

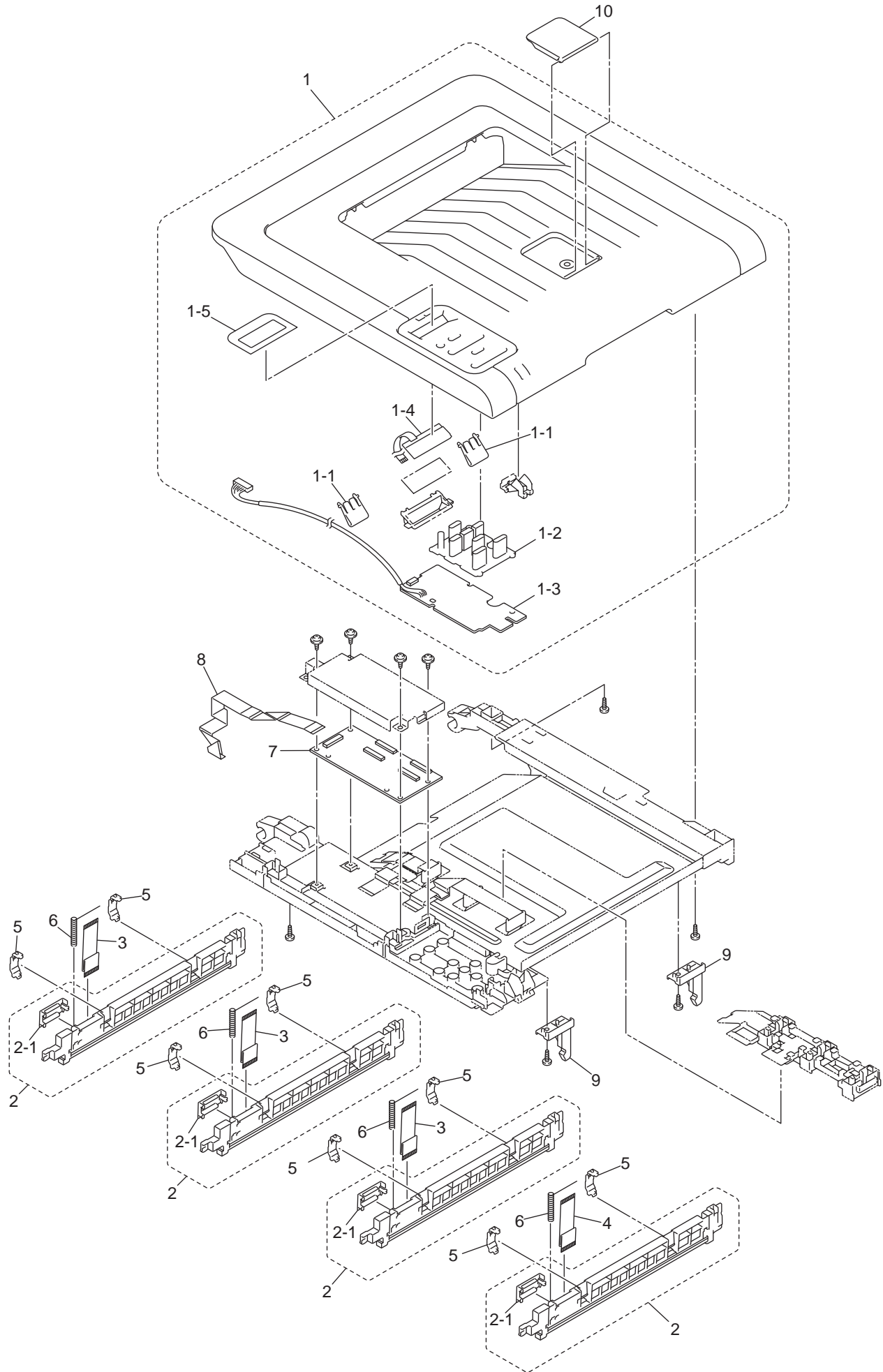
3.FRAME



3. FRAME

REF No.	CODE	QTY	DESCRIPTION	MODEL	SPEC	REMARKS
1	LV0905001	1	REGISTRATION MARK L PCB ASSY			
2	LV0903001	1	REGISTRATION MARK R PCB ASSY			
3	085320516	1	TAPTITE BIND S M3X5			
4	LV0890001	1	EJECT SENSOR PCB ASSY			
5	LY6770001	1	MAIN FAN			
6	LY6230001	2	DAMPER STOPPER			
7	LV0918001	1	HVPS FLAT CABLE			
8	LY6134001	1	PAPER FEED CLUTCH			
9	LY6135001	1	DEVELOP RELEASE CLUTCH			
10	LY6136001	1	REGIST CLUTCH			
11	LY6139001	1	WIRELESS LAN CAP			
12	LT2722001	1	WIRELESS LAN PCB ASSY			
13	LV0942001	1	EXTERNAL TEMPERATURE/HUMIDITY SENSOR			
14	LT2604001	1	SPACER SPONGE			

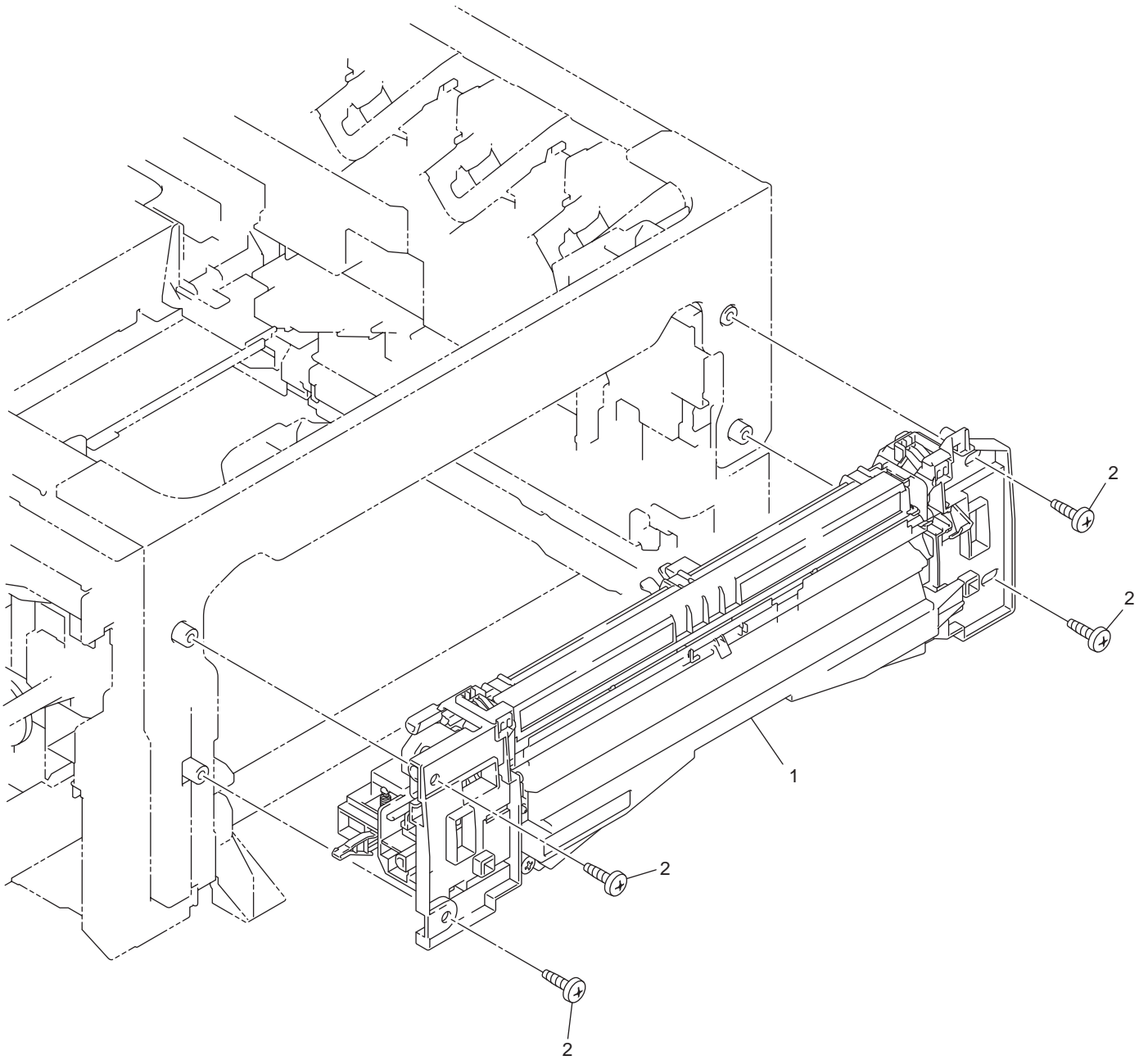
4.LED TOP COVER



4. LED TOP COVER

REF No.	CODE	QTY	DESCRIPTION	MODEL	SPEC	REMARKS
1	LY6247001	1	TOP COVER ASSY	HL-3140CW		
1	LY7432001	1	TOP COVER ASSY	HL-3150CDW		
1	LY6585001	1	TOP COVER ASSY	HL-3170CDW		
1-1	LY6255002	2	PAPER STACK LEVER	HL-3140CW		
1-1	LY6255001	2	PAPER STACK LEVER	HL-3150CDW		
1-1	LY6255001	2	PAPER STACK LEVER	HL-3170CDW		
1-2	LY6256002	1	RUBBER KEY ASSY	HL-3140CW		
1-2	LY6256001	1	RUBBER KEY ASSY	HL-3150CDW		
1-2	LY6256001	1	RUBBER KEY ASSY	HL-3170CDW		
1-3	LV0919001	1	PANEL PCB ASSY	HL-3140CW		
1-3	LV0919001	1	PANEL PCB ASSY	HL-3150CDW		
1-3	LV0919002	1	PANEL PCB ASSY	HL-3170CDW		
1-4	A51298001	1	LCD	HL-3140CW		
1-4	A51298001	1	LCD	HL-3150CDW		
1-4	A51299001	1	LCD	HL-3170CDW		
1-5	LY6260001	1	LCD SHEET PRINTED ASSY	HL-3140CW		
1-5	LY6826001	1	LCD SHEET PRINTED ASSY	HL-3150CDW		
1-5	LY6586001	1	LCD SHEET PRINTED ASSY	HL-3170CDW		
2	LY6790001	4	LED ASSY (SP)			
2-1	LY6272001	4	FLAT CABLE COVER			
3	LV0921001	3	LED FLAT CABLE			
4	LV0945001	1	LED(Y) FLAT CABLE			
5	LY6277001	8	HOLDER HOOK			
6	LY6274001	4	Z SPRING L			
7	LV0907001	1	LED CONTROL PCB ASSY			
8	LV0934001	1	LED CONTROL FLAT CABLE			
9	LY6296001	2	TC LOCK ARM GUIDE			
10	LY6250002	1	SUPPORT FLAP	HL-3140CW		
10	LY6250001	1	SUPPORT FLAP	HL-3150CDW		
10	LY6250001	1	SUPPORT FLAP	HL-3170CDW		

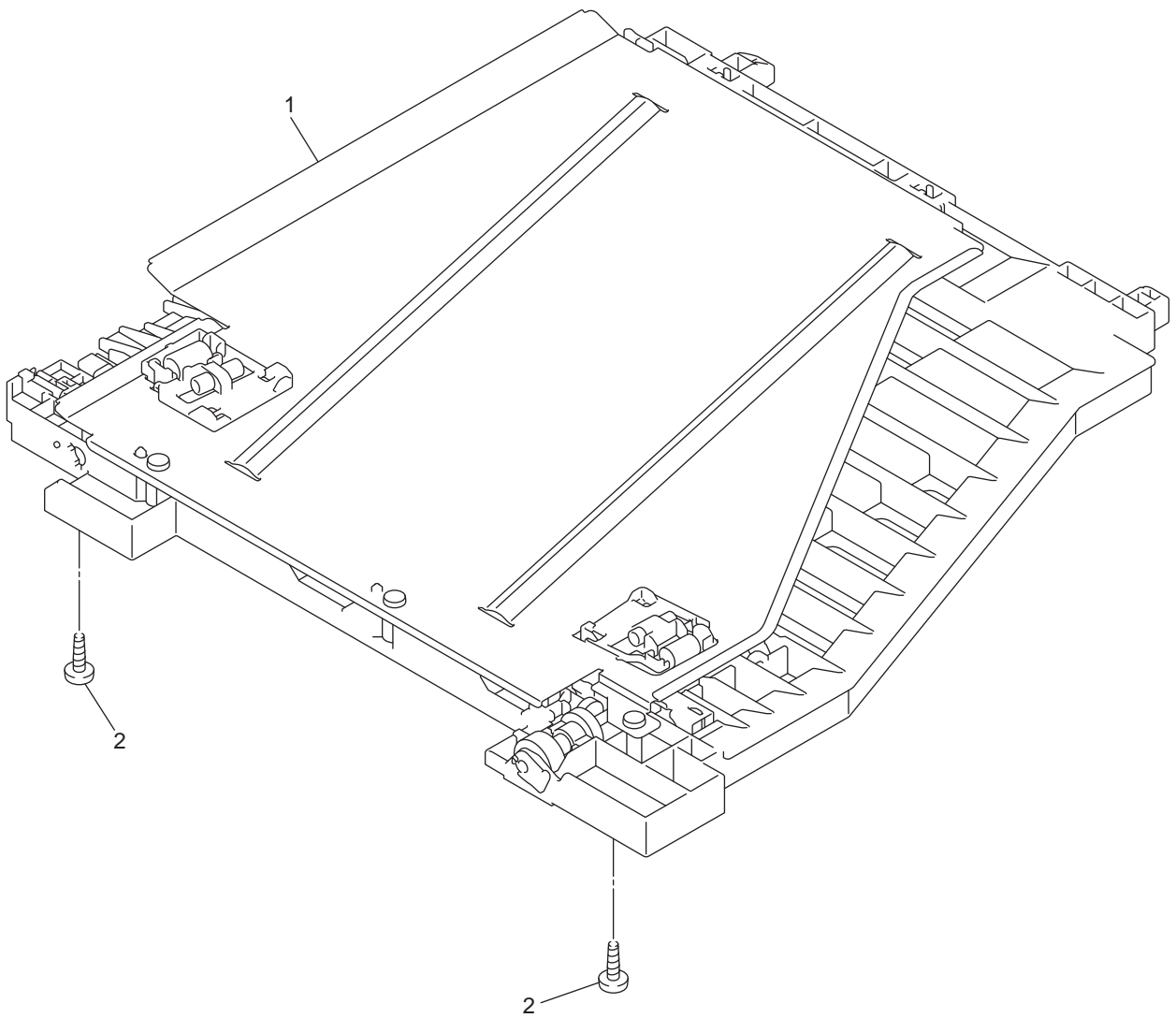
5.PAPER FEEDER



5. PAPER FEEDER

REF No.	CODE	QTY	DESCRIPTION	MODEL	SPEC	REMARKS
1	LY7536002	1	PAPER FEED UNIT (SP)	HL-3140CW		
1	LY7536001	1	PAPER FEED UNIT (SP)	HL-3150CDW		
1	LY7536001	1	PAPER FEED UNIT (SP)	HL-3170CDW		
2	LU5693001	4	TAPTITE BIND B M4X12			

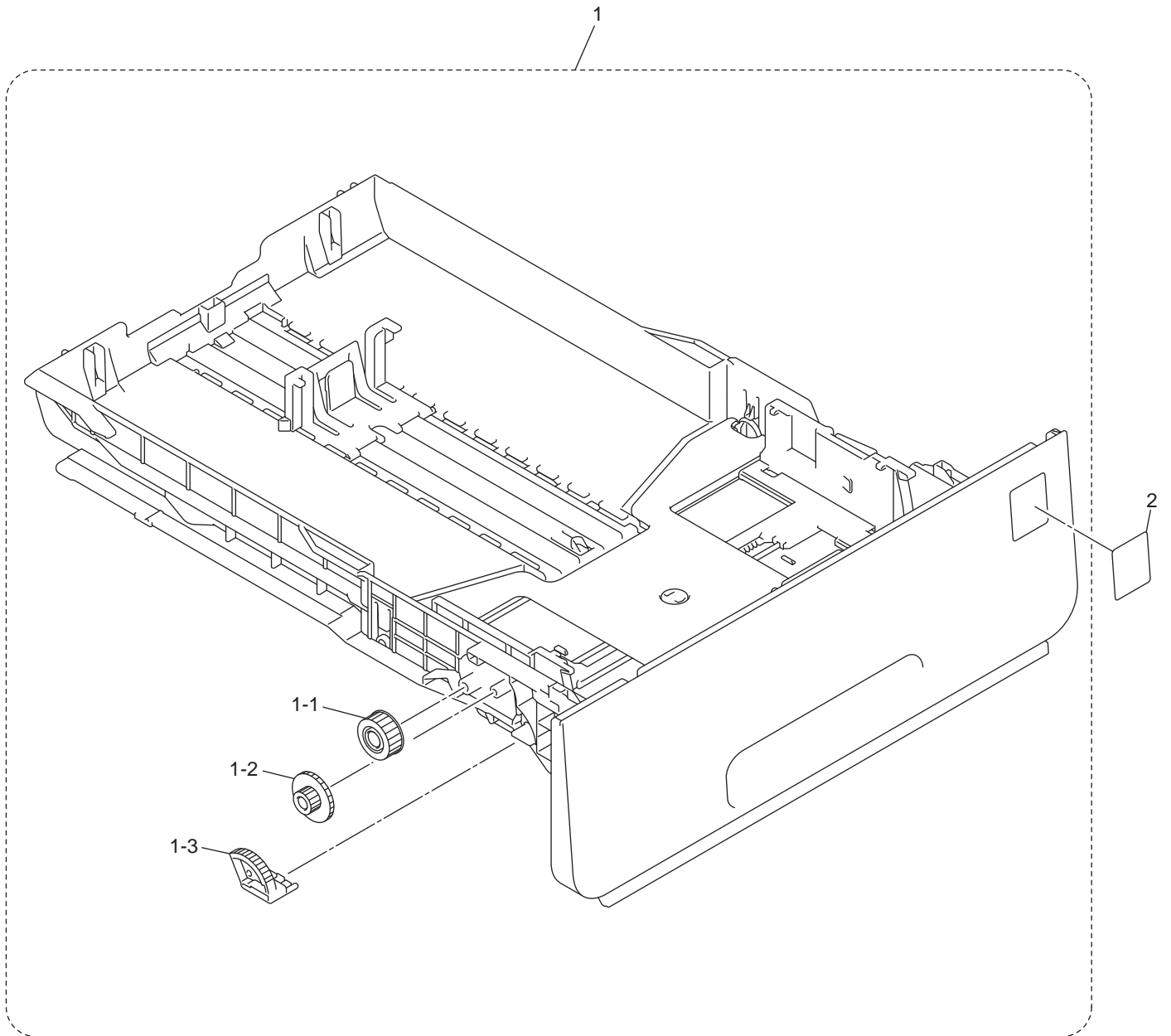
6.DUPLEX



6. DUPLEX

REF No.	CODE	QTY	DESCRIPTION	MODEL	SPEC	REMARKS
1	LY6649001	1	DUPLEX TRAY A4	HL-3150CDW		
1	LY6649001	1	DUPLEX TRAY A4	HL-3170CDW	FOR GER/UK/CHE/ITA/IBR/RUS/ FRA/BEL/NLD/PND/CEE	
1	LY6587001	1	DUPLEX TRAY LTR	HL-3170CDW	FOR US/CAN	
2	LU5693001	2	TAPTITE BIND B M4X12	HL-3150CDW		
2	LU5693001	2	TAPTITE BIND B M4X12	HL-3170CDW		

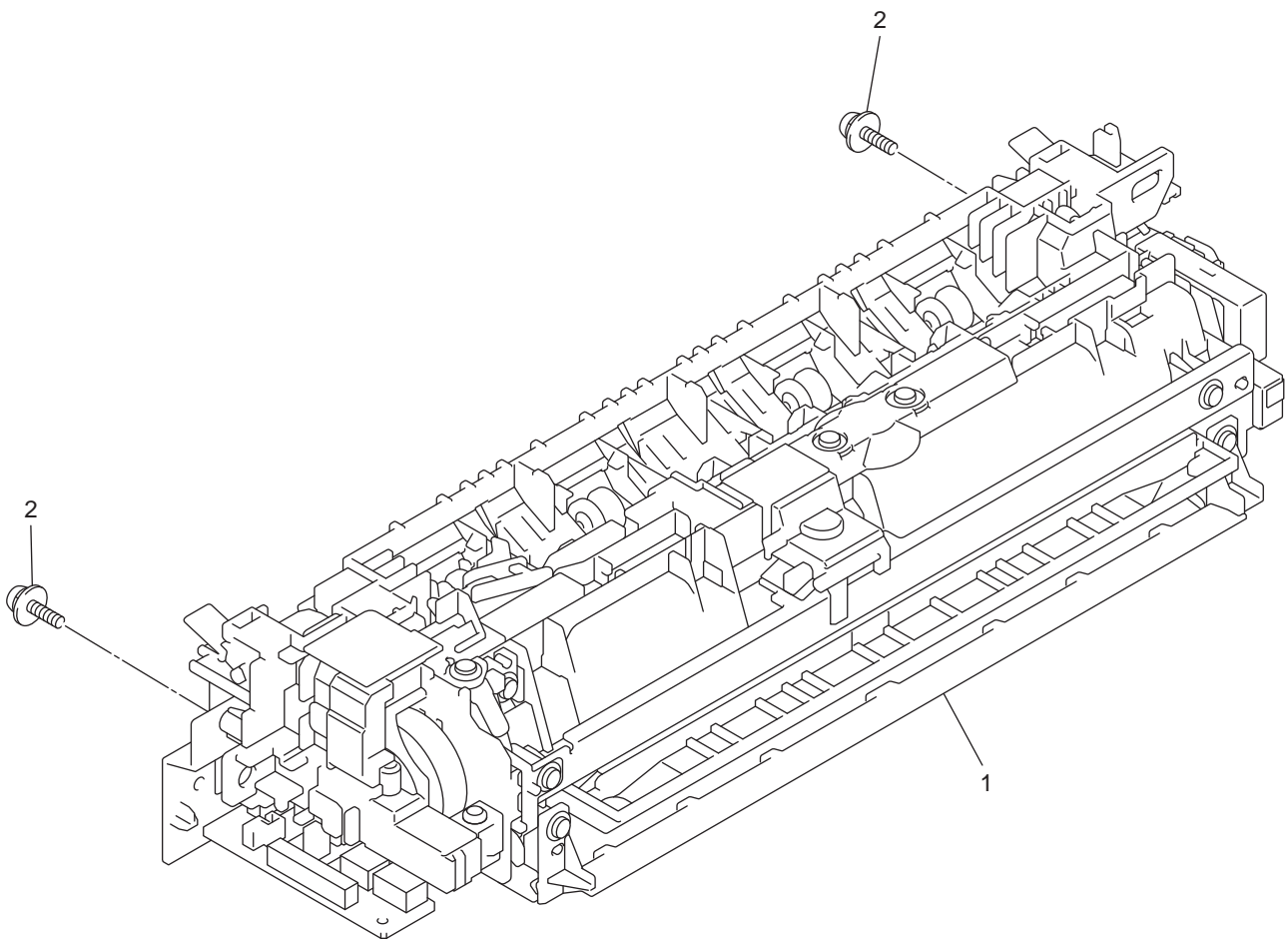
7.PAPER TRAY



7. PAPER TRAY

REF No.	CODE	QTY	DESCRIPTION	MODEL	SPEC	REMARKS
1	LY6342002	1	PAPER TRAY SX	HL-3140CW		
1	LY6602001	1	PAPER TRAY DX	HL-3150CDW		
1	LY6602001	1	PAPER TRAY DX	HL-3170CDW		
1-1	LR0252001	1	GEAR Z19M10			
1-2	LR0253001	1	GEAR Z23M10Z14M75			
1-3	LY2202001	1	LIFT GEAR 46			
2	LY6986001	1	COLOR LABEL	HL-3140CW		
2	LY6423001	1	COLOR LABEL	HL-3150CDW		
2	LY6423001	1	COLOR LABEL	HL-3170CDW		

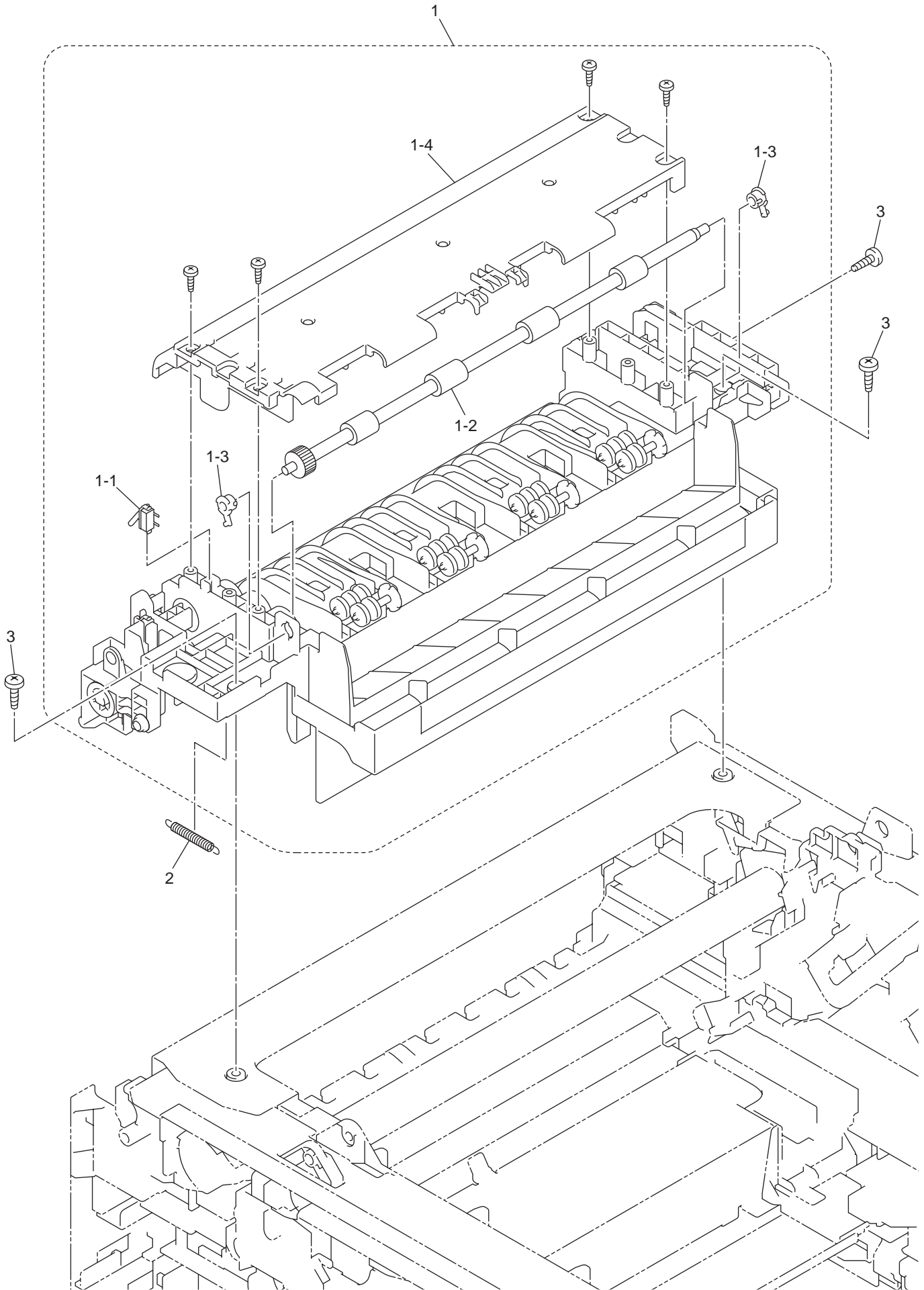
8.FUSER UNIT



8. FUSER UNIT

REF No.	CODE	QTY	DESCRIPTION	MODEL	SPEC	REMARKS
1	LY6753001	1	FUSER UNIT 115V(SP)	HL-3140CW	FOR US/CAN	
1	LY6753001	1	FUSER UNIT 115V(SP)	HL-3170CDW	FOR US/CAN	
1	LY6754001	1	FUSER UNIT 230V(SP)	HL-3140CW	FOR GER/UK/CHE/ITA/ FRA/BEL/NLD/PND/IBR	
1	LY6754001	1	FUSER UNIT 230V(SP)	HL-3150CDW		
1	LY6754001	1	FUSER UNIT 230V(SP)	HL-3170CDW	FOR GER/UK/CHE/ITA/IBR/RUS/ FRA/BEL/NLD/PND/CEE	
2	LU6109001	2	TAPTITE PAN(WASHER)B M4X12DA			

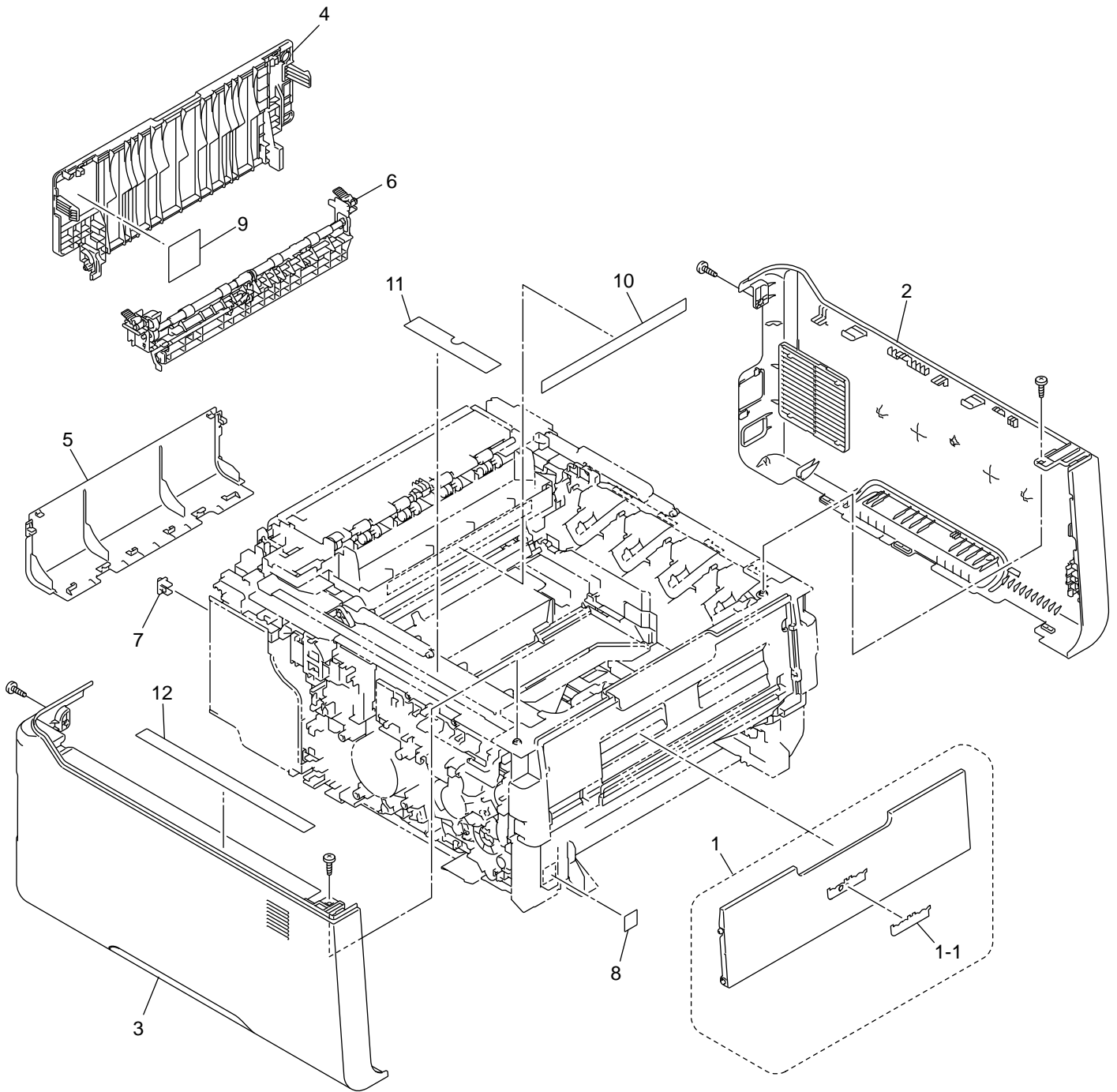
9.PAPER EJECT



9. PAPER EJECT

REF No.	CODE	QTY	DESCRIPTION	MODEL	SPEC	REMARKS
1	LY6385002	1	PAPER EJECT ASSY SX	HL-3140CW		
1	LY6603001	1	PAPER EJECT ASSY DX	HL-3150CDW		
1	LY6603001	1	PAPER EJECT ASSY DX	HL-3170CDW		
1-1	LV0927001	1	BACK COVER SENSOR HARNESS ASSY			
1-2	LY6397001	1	EJECT ROLLER ASSY			
1-3	LY0790001	2	EXIT ROLLER BUSHING R			
1-4	LY6401001	1	BACK COVER UPPER			
2	LY6964001	1	COOLING ROLLER SPRING L	HL-3150CDW		
2	LY6964001	1	COOLING ROLLER SPRING L	HL-3170CDW		
3	LU5693001	3	TAPTITE BIND B M4X12			

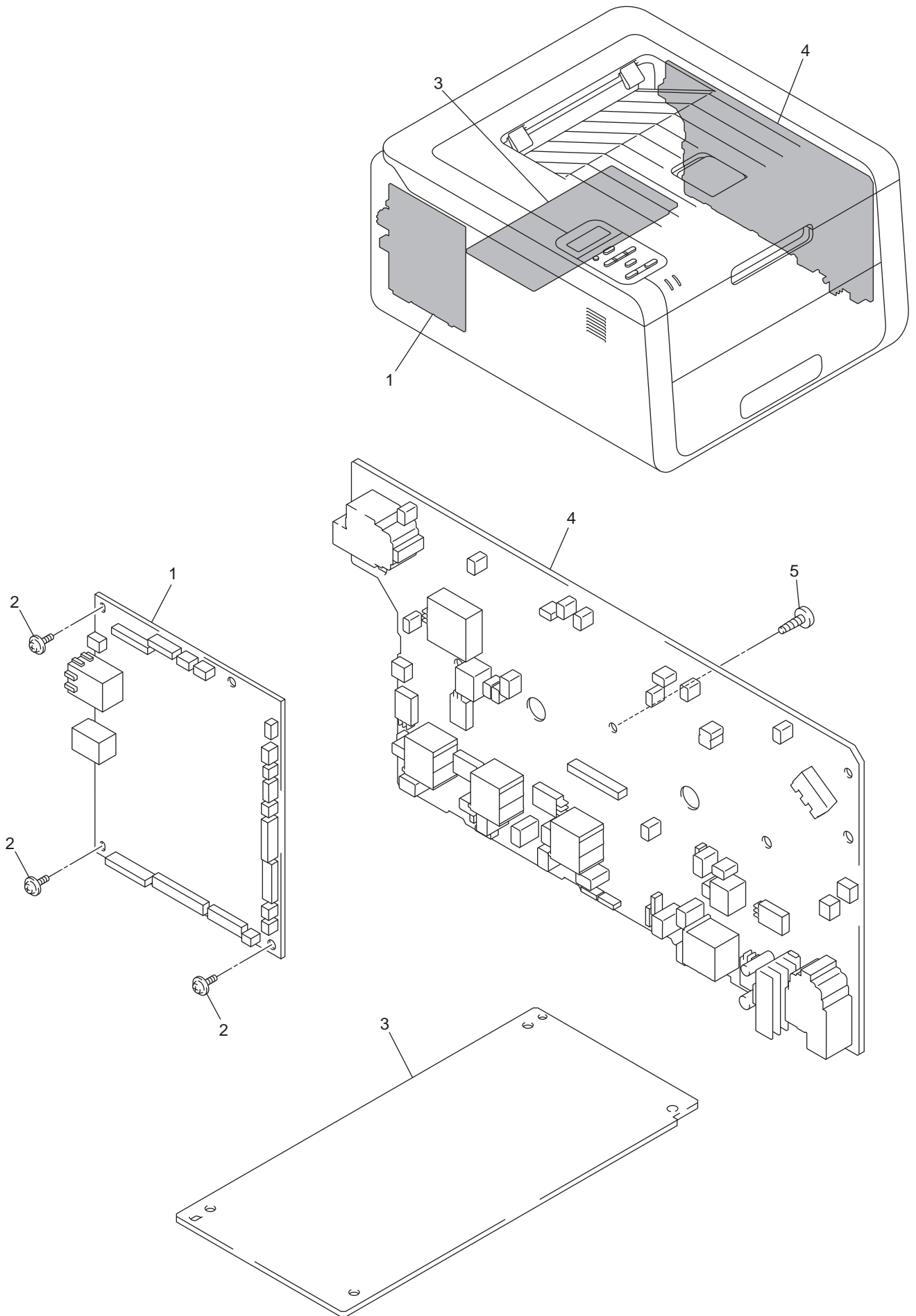
10. COVERS & LABELS



10. COVERS & LABELS

REF No.	CODE	QTY	DESCRIPTION	MODEL	SPEC	REMARKS
1	LY7419002	1	FRONT COVER ASSY (SP)	HL-3140CW		
1	LY7419001	1	FRONT COVER ASSY (SP)	HL-3150CDW		
1	LY7419001	1	FRONT COVER ASSY (SP)	HL-3170CDW		
1-1	LY4852004	1	EMBLEM BROTHER SHEET BL	HL-3140CW		
1-1	LY4852002	1	EMBLEM BROTHER SHEET BL	HL-3150CDW		
1-1	LY4852002	1	EMBLEM BROTHER SHEET BL	HL-3170CDW		
2	LY6406001	1	SIDE COVER R			
3	LY6407001	1	SIDE COVER L	HL-3140CW		
3	LY6612001	1	SIDE COVER L	HL-3150CDW		
3	LY6612001	1	SIDE COVER L	HL-3170CDW		
4	LY6409001	1	BACK COVER	HL-3140CW		
4	LY6613001	1	BACK COVER ASSY	HL-3150CDW		
4	LY6613001	1	BACK COVER ASSY	HL-3170CDW		
5	LY6412001	1	BACK COVER LOWER			
6	LY6413001	1	FUSER COVER ASSY			
7	LY0872001	1	LAN PORT CAP	HL-3150CDW		
7	LY0872001	1	LAN PORT CAP	HL-3170CDW		
8	LY6425001	1	LABEL FRONT JAM 25X21			
9	LY6426001	1	LABEL H/SP CAUTION REAR 44X41			
10	LY6427001	1	LABEL HEAT CAUTION F200 US	HL-3140CW	FOR US/CAN	
10	LY6427001	1	LABEL HEAT CAUTION F200 US	HL-3170CDW	FOR US/CAN	
10	LY6780001	1	LABEL HEAT CAUTION F200 EU	HL-3140CW	FOR GER/UK/CHE/ITA/ FRA/BEL/NLD/PND/IBR	
10	LY6780001	1	LABEL HEAT CAUTION F200 EU	HL-3150CDW		
10	LY6780001	1	LABEL HEAT CAUTION F200 EU	HL-3170CDW	FOR GER/UK/CHE/ITA/IBR/RUS/ FRA/BEL/NLD/PND/CEE	
11	LY6428001	1	LABEL DR OPERATION 118X24			
12	LY6429001	1	LABEL SPRAY CAUTION 210			

11.PCB

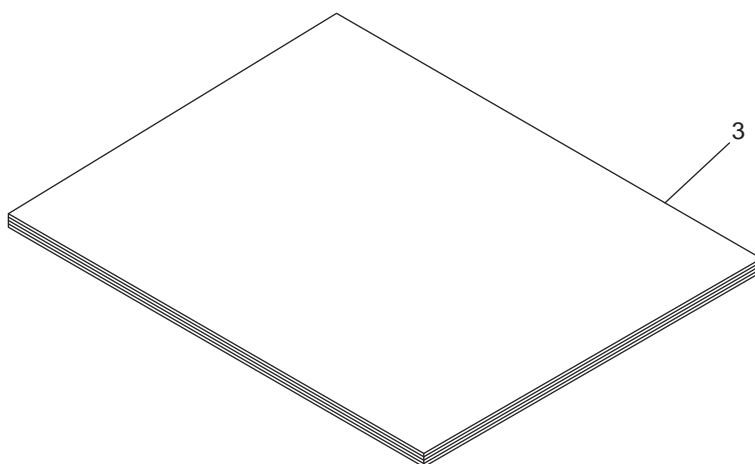
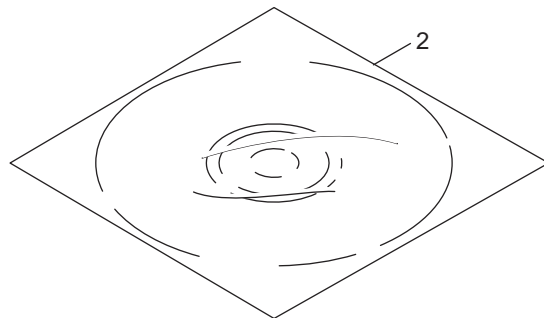
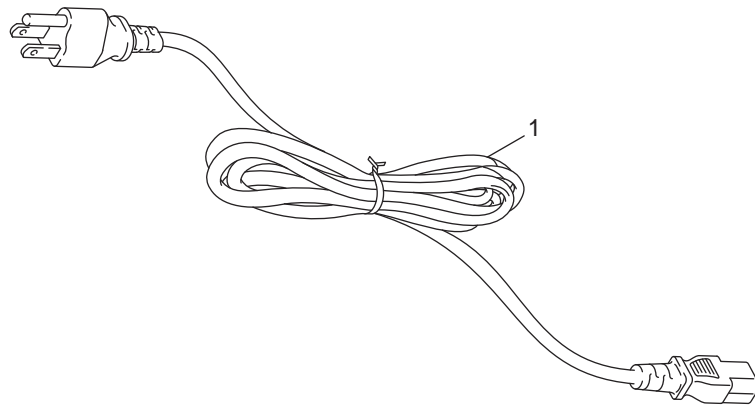


11. PCB

REF No.	CODE	QTY	DESCRIPTION	MODEL	SPEC	REMARKS
1	LV0912001	1	MAIN PCB B512348 ASSY1 DCL	HL-3140CW		
1	LV0912051	1	MAIN PCB B512348 ASSY1 DCL (*)	HL-3140CW	FOR FSUS	
1	LV0897002	1	MAIN PCB B512348 ASSY2 DCL	HL-3150CDW		
1	LV0900001	1	MAIN PCB B512348 ASSY3 DCL	HL-3170CDW		
1	LV0900051	1	MAIN PCB B512348 ASSY3 DCL (*)	HL-3170CDW	FOR FSUS	
2	LP2378001	3	TAPTITE CUP S M3X8 SR			
3	LV0929001	1	LOW-VOLTAGE POWER SUPPLY PCB ASSY 115V	HL-3140CW	FOR US/CAN	
3	LV0929001	1	LOW-VOLTAGE POWER SUPPLY PCB ASSY 115V	HL-3170CDW	FOR US/CAN	
3	LV0939001	1	LOW-VOLTAGE POWER SUPPLY PCB ASSY 230V	HL-3140CW	FOR GER/UK/CHE/ITA/ FRA/BEL/NLD/PND/IBR	
3	LV0939001	1	LOW-VOLTAGE POWER SUPPLY PCB ASSY 230V	HL-3150CDW		
3	LV0939001	1	LOW-VOLTAGE POWER SUPPLY PCB ASSY 230V	HL-3170CDW	FOR GER/UK/CHE/ITA/IBR/RUS/ FRA/BEL/NLD/PND/CEE	
4	LV0928001	1	HIGHT-VOLTAGE POWER SUPPLY PCB ASSY			
5	LU5693001	1	TAPTITE BIND B M4X12			

(*) First 3-months production only

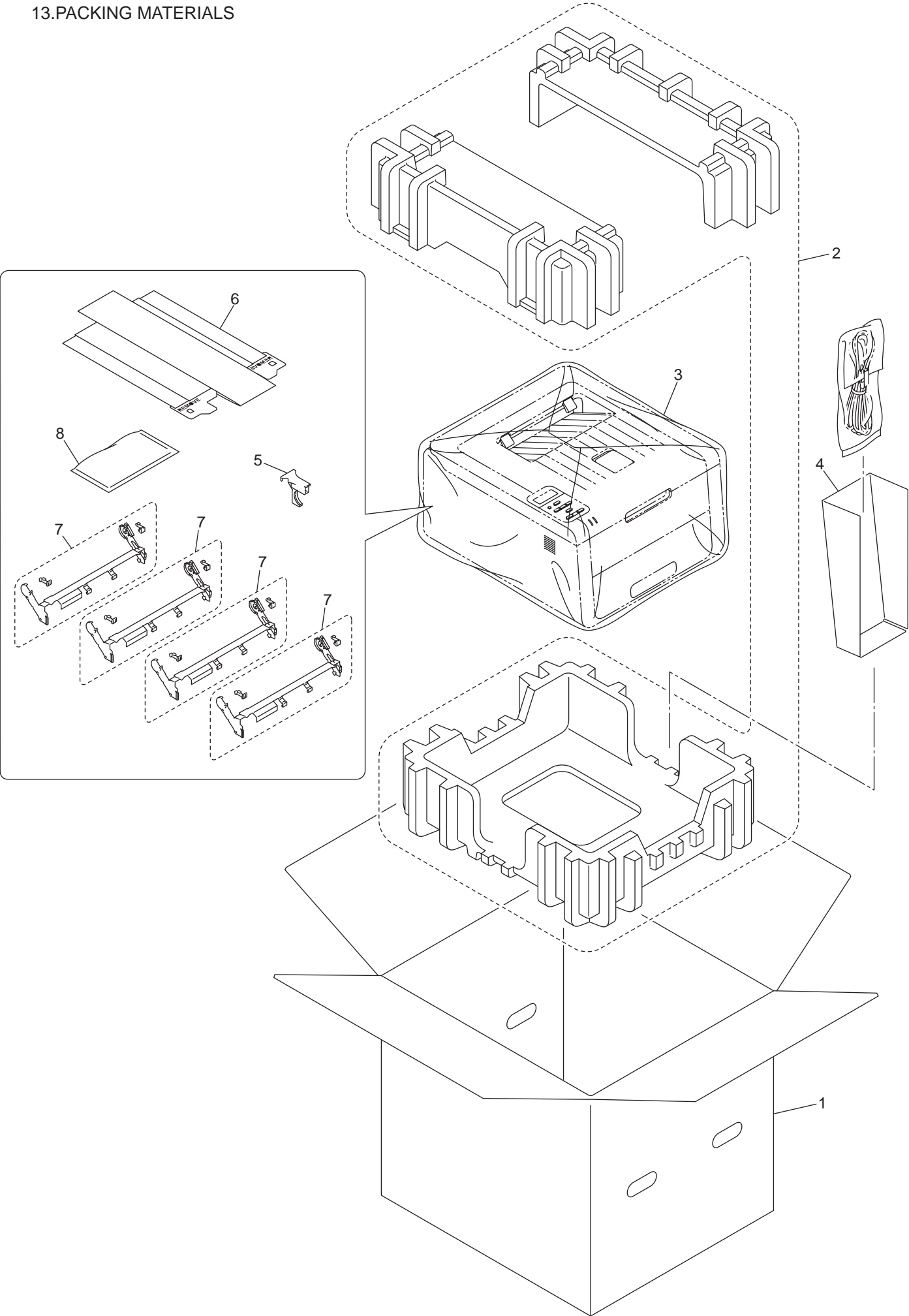
12. ACCESSORIES



12. ACCESSORIES

REF No.	CODE	QTY	DESCRIPTION	MODEL	SPEC	REMARKS
1	LM9362001	1	AC CORD BAG ASSY LF UL/CSA	HL-3140CW	FOR US/CAN	
1	LM9362001	1	AC CORD BAG ASSY LF UL/CSA	HL-3170CDW	FOR US/CAN	
1	LV0364001	1	AC CORD BAG ASSY LF VDE S	HL-3140CW	FOR	
1	LV0364001	1	AC CORD BAG ASSY LF VDE S	HL-3150CDW	FOR GER/ITA/IBR/FRA/BEL/NLD	
1	LV0364001	1	AC CORD BAG ASSY LF VDE S	HL-3170CDW	FOR GER/ITA/IBR/RUS/ FRA/BEL/NLD/PND/CEE	
1	LV0368001	1	AC CORD BAG ASSY LF BS/PSB S	HL-3140CW	FOR UK	
1	LV0368001	1	AC CORD BAG ASSY LF BS/PSB S	HL-3150CDW	FOR UK	
1	LV0368001	1	AC CORD BAG ASSY LF BS/PSB S	HL-3170CDW	FOR UK	
1	LT2259001	1	AC CORD BAG ASSY LF SEV	HL-3140CW	FOR CHE	
1	LT2259001	1	AC CORD BAG ASSY LF SEV	HL-3150CDW	FOR CHE	
1	LT2259001	1	AC CORD BAG ASSY LF SEV	HL-3170CDW	FOR CHE	
1	LG4720001	1	AC CORD BAG ASSY LF DEMKO	HL-3140CW	FOR PND	
1	LG4720001	1	AC CORD BAG ASSY LF DEMKO	HL-3170CDW	FOR PND	
2	LY6830001	1	CD ASSY	HL-3140CW	FOR US	
2	LY6830001	1	CD ASSY	HL-3170CDW	FOR US	
2	LY7516001	1	CD ASSY	HL-3140CW	FOR CAN/GER/UK/CHE/ITA/ FRA/BEL/NLD/PND/IBR	
2	LY7516001	1	CD ASSY	HL-3150CDW		
2	LY7516001	1	CD ASSY	HL-3170CDW	FOR CAN/GER/UK/CHE/ITA/IBR/ FRA/BEL/NLD/PND	
2	LY6831001	1	CD ASSY	HL-3170CDW	FOR RUS/CEE	
3	LY7162001	1	SETUP GUIDE (ENGLISH)	HL-3140CW	FOR US/CAN/UK	
3	LY7162001	1	SETUP GUIDE (ENGLISH)	HL-3150CDW	FOR UK	
3	LY7162001	1	SETUP GUIDE (ENGLISH)	HL-3170CDW	FOR US/CAN/UK	
3	LY7165001	1	SETUP GUIDE (GERMAN)	HL-3140CW	FOR GER/CHE	
3	LY7165001	1	SETUP GUIDE (GERMAN)	HL-3150CDW	FOR GER/CHE	
3	LY7165001	1	SETUP GUIDE (GERMAN)	HL-3170CDW	FOR GER/CHE	
3	LY7175001	1	SETUP GUIDE RUS	HL-3170CDW	FOR RUS	
3	LY7168001	1	SETUP GUIDE (SPANISH)	HL-3140CW	FOR IBR	
3	LY7168001	1	SETUP GUIDE (SPANISH)	HL-3150CDW	FOR ITA/IBR	
3	LY7168001	1	SETUP GUIDE (SPANISH)	HL-3170CDW	FOR ITA/IBR	
3	LY7163001	1	SETUP GUIDE (FRENCH)	HL-3140CW	FOR CAN	
3	LY7163001	1	SETUP GUIDE (FRENCH)	HL-3170CDW	FOR CAN	
3	LY7166001	1	SETUP GUIDE (FRENCH)	HL-3140CW	FOR CHE/FRA/BEL/NLD	
3	LY7166001	1	SETUP GUIDE (FRENCH)	HL-3150CDW	FOR CHE/FRA/BEL/NLD	
3	LY7166001	1	SETUP GUIDE (FRENCH)	HL-3170CDW	FOR CHE/FRA/BEL/NLD	
3	LY7170001	1	SETUP GUIDE (GERMAN)	HL-3140CW	FOR FRA/BEL/NLD	
3	LY7170001	1	SETUP GUIDE (GERMAN)	HL-3150CDW	FOR FRA/BEL/NLD	
3	LY7170001	1	SETUP GUIDE (GERMAN)	HL-3170CDW	FOR FRA/BEL/NLD	
3	LY7169001	1	SETUP GUIDE (PORTUGUESE)	HL-3140CW	FOR IBR	
3	LY7169001	1	SETUP GUIDE (PORTUGUESE)	HL-3150CDW	FOR ITA/IBR	
3	LY7169001	1	SETUP GUIDE (PORTUGUESE)	HL-3170CDW	FOR ITA/IBR	
3	LY7176001	1	SETUP GUIDE (CZECH/HUNGARIAN/POLISH)	HL-3170CDW	FOR CEE	
3	LY7177001	1	SETUP GUIDE (BULGARIAN/ROMANIAN/SLOVAK)	HL-3170CDW	FOR CEE	
3	LY7167001	1	SETUP GUIDE (ITALIAN)	HL-3140CW	FOR CHE/ITA	
3	LY7167001	1	SETUP GUIDE (ITALIAN)	HL-3150CDW	FOR CHE/ITA/IBR	
3	LY7167001	1	SETUP GUIDE (ITALIAN)	HL-3170CDW	FOR CHE/ITA/IBR	
3	LY7171001	1	SETUP GUIDE (FINNISH)	HL-3140CW	FOR PND	
3	LY7171001	1	SETUP GUIDE (FINNISH)	HL-3170CDW	FOR PND	
3	LY7172001	1	SETUP GUIDE (DANISH)	HL-3140CW	FOR PND	
3	LY7172001	1	SETUP GUIDE (DANISH)	HL-3170CDW	FOR PND	
3	LY7173001	1	SETUP GUIDE (NORWEGIAN)	HL-3140CW	FOR PND	
3	LY7173001	1	SETUP GUIDE (NORWEGIAN)	HL-3170CDW	FOR PND	
3	LY7174001	1	SETUP GUIDE (SWEDISH)	HL-3140CW	FOR PND	
3	LY7174001	1	SETUP GUIDE (SWEDISH)	HL-3170CDW	FOR PND	

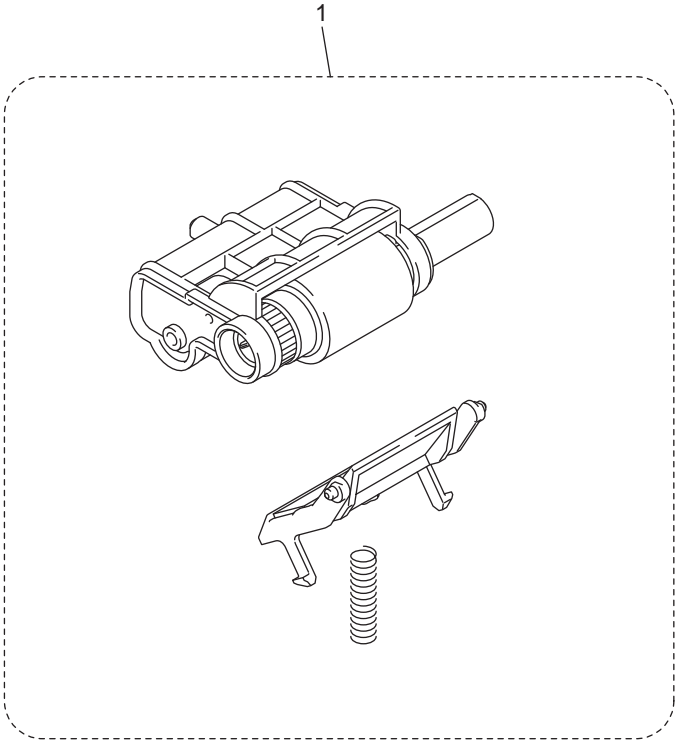
13.PACKING MATERIALS



13. PACKING MATERIALS

REF No.	CODE	QTY	DESCRIPTION	MODEL	SPEC	REMARKS
1	LY7071001	1	CARTON	HL-3140CW	FOR US	
1	LY7075001	1	CARTON	HL-3140CW	FOR CAN	
1	LY7099001	1	CARTON	HL-3140CW	FOR GER/UK/CHE/ITA/ FRA/BEL/NLD/PND/IBR	
1	LY7100001	1	CARTON	HL-3150CDW		
1	LY7080001	1	CARTON	HL-3170CDW	FOR US	
1	LY7084001	1	CARTON	HL-3170CDW	FOR CAN	
1	LY7101001	1	CARTON	HL-3170CDW	FOR GER/UK/CHE/ITA/IBR/RUS/ FRA/BEL/NLD/PND/CEE	
2	LY6576001	1	POLYSTYRENE PAD ASSY			
3	LEA183001	1	BAG 900X900			
4	LY6745001	1	OPTION CARTON			
5	LU6110001	1	CLEANER LOCK			
6	LY6767001	1	REMOVE SHEET ASSY			
7	LY6757001	4	DRUM STOPPER ASSY			
8	LY6785001	1	SILICA GEL	HL-3140CW	FOR GER/UK/CHE/ITA/ FRA/BEL/NLD/PND/IBR	
8	LY6785001	1	SILICA GEL	HL-3150CDW		
8	LY6785001	1	SILICA GEL	HL-3170CDW	FOR GER/UK/CHE/ITA/IBR/RUS/ FRA/BEL/NLD/PND/CEE	
8	LY6670001	1	SILICA GEL	HL-3140CW	FOR US/CAN	
8	LY6670001	1	SILICA GEL	HL-3170CDW	FOR US/CAN	

14.PERIODICAL MAINTENANCE PARTS



14.PERIODICAL MAINTENANCE PARTS

REF No.	CODE	Q'T Y	DESCRIPTION	MODEL	SPEC	REMARKS
1	LY7418001	1	PAPER FEEDING KIT(SP)			