



Brother Color Laser Printer **PARTS REFERENCE LIST**

**MODEL: HL-4040CN/4040CDN/
4050CDN/4070CDW**



Read this list thoroughly before maintenance work.

Keep this list in a convenient place for quick and easy reference at all times.

January 2007
PL-PRN100

NOTE FOR USING THIS PARTS REFERENCE LIST

1. In the case of ordering parts, it is necessary to mention the following items:

- (1) Code
- (2) Q'ty
- (3) Description
- (4) Symbol (PCB No. etc.)

<Example>

REF.NO.	(1) CODE	(2) Q'TY	(3) DESCRIPTION	(4) SYMBOL	REMARK

Revision No.: marked on the **main printed circuit board (Main PCB)**

B48K056

----- Circuit board No.

2. Design-changed parts:

If any of the parts is changed, one of the following symbols is indicated in the REMARK column.

CHG (chg): The part is changed for a new one.

ADD (add): The part is newly added.

DEL (del): The part is deleted.

Symbol in capital letters indicates the latest parts change information in the page.

3. The original parts reference list is based on the information available in January 2007.

4. Parts are subject to change in design without prior notice.

COUNTRIES AND AREAS

AP: Asia Pacific	GULF: Gulf
ARG: Argentina	HOL (NL): Holland (Netherlands)
ARL: Australia	IBERIA: Spain/Portugal
BEL: Belgium	ISR: Israel
BRZ: Brazil	ITA: Italy
CAN: Canada	NZ: New Zealand
CHL: Chile	PAN-NOR: Norway/Finland/Denmark/Sweden
CHN: China	RUS: Russia
EEU: EEU GENERAL	SAF: South Africa
(Bulgaria/Czech/Hungary/Poland/Romania/ Slovakia)	SGP: Singapore
EUR: Europe	SWI: Switzerland
FRA: France	UK: U.K.
GER: Germany	US: U.S.A

LANGUAGES

BUL: Bulgarian	ITA: Italian
CHN: Chinese	NOR: Norwegian
CZE: Czech	POL: Polish
DEN: Danish	POR: Portuguese
DUT: Dutch	ROM: Romanian
ENG: English	RUS: Russian
FIN: Finnish	SVK: Slovak
FRE: French	SPA: Spanish
GER: German	SWE: Swedish
HUN: Hungarian	

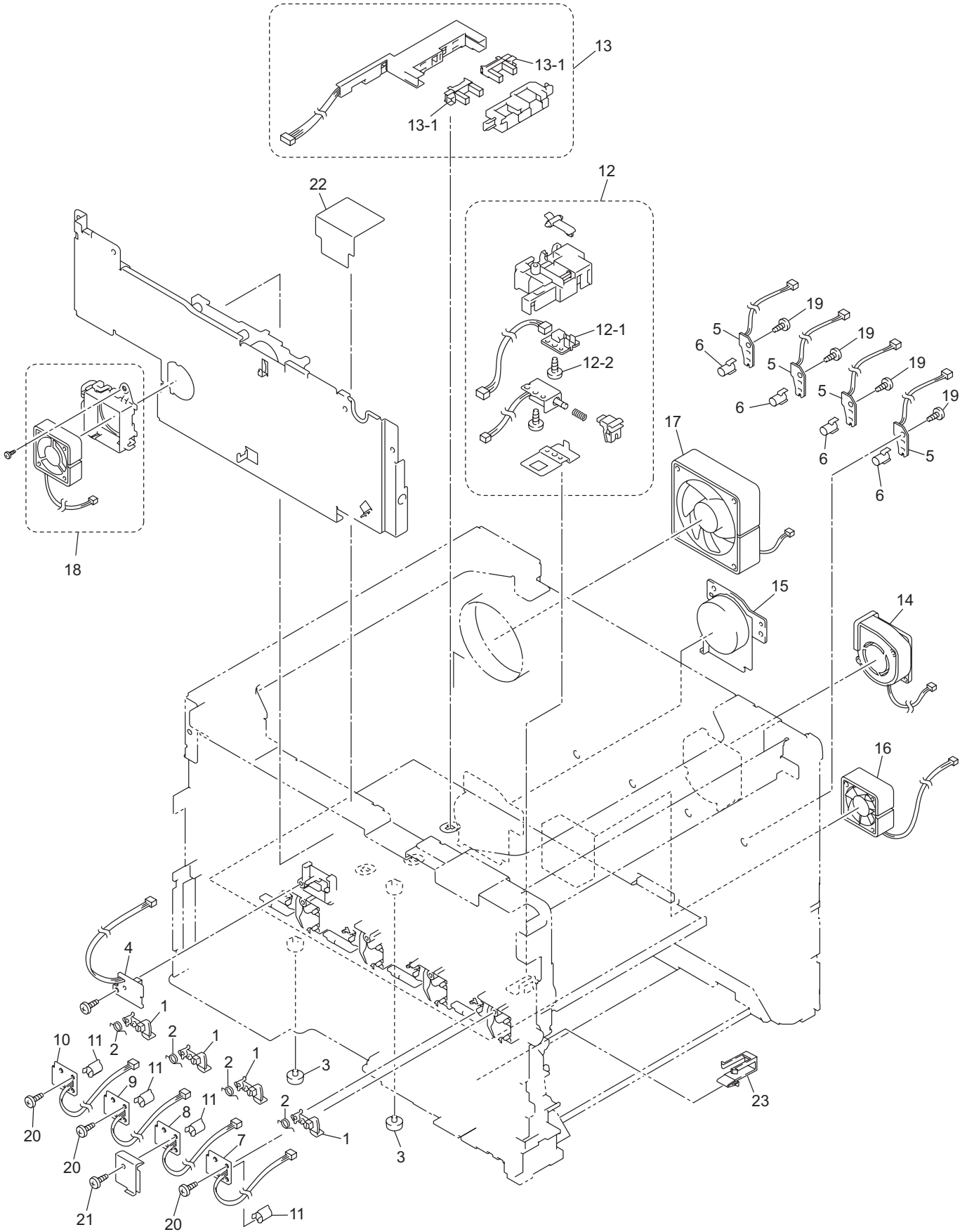
CONTENTS

1.	<u>FRAME UNIT</u>	1
2.	<u>DRIVE</u>	3
3.	<u>LASER UNIT</u>	5
4.	<u>PAPER FEEDER</u>	7
5.	<u>MP UNIT</u>	9
6.	<u>DX</u>	11
7.	<u>PAPER TRAY</u>	13
8.	<u>FUSER UNIT</u>	15
9.	<u>PAPER EJECT</u>	17
10.	<u>COVERS&LABELS</u>	19
11.	<u>MAIN PCB</u>	21
12.	<u>ENGINE PCB</u>	23
13.	<u>LVPS</u>	25
14.	<u>HVPS</u>	27
15.	<u>AC CORD</u>	29
16.	<u>ACCESSORIES</u>	31
17.	<u>PACKING MATERIALS</u>	33
18.	<u>PERIODICAL MAINTENANCE PART</u>	35

1. FRAME UNIT

REF No.	CODE	QTY	DESCRIPTION	REMARKS
1	LR0402001	4	NEW TONER ACTUATOR	
2	LR0403001	4	NEW TONER ACTUATOR SPRING	
3	UH2208001	2	RUBBER FOOT	
4	LM9189001	1	DEVELOP RELEASE SENSOR PCB ASSY	
5	LM9210001	4	TONER LED PCB ASSY	
6	LR1094001	4	LED HOLDER	
7	LM9211001	1	TONER SENSOR PCB ASSY K (TE/NEW)	
8	LM9334001	1	TONER SENSOR PCB ASSY Y (TE/NEW)	
9	LM9335001	1	TONER SENSOR PCB ASSY M (TE/NEW)	
10	LM9336001	1	TONER SENSOR PCB ASSY C (TE/NEW)	
11	UL9037001	4	PT SENSOR HOLDER	
12	LR0523001	1	BELT CLEANER RELEASE ASSY	
12-1	LM9218001	1	BELT CLEANER RELEASE SENSOR PCB ASSY	
12-2	085310816	1	TAPTITE BIND B M3X8	
13	LR0532001	1	WASTE TONER NEAR/FULL SENSOR ASSY	
13-1	LM9221001	2	WASTE TONER SENSOR	
14	LR0589001	1	AIR INTAKE FAN (AIR)	
15	LR0217001	1	BELT DRIVE MOTOR	
16	LR0903001	1	LVPS FAN (PS)	
17	LR0906001	1	FUSER UNIT FAN (FU)	
18	LU4228001	1	DRUM UNIT FAN HOLDER ASSY(OPC)	CHG
19	0A2301603	4	SCREW PAN (P WASHER) M3X16	chg
20	085310816	3	TAPTITE BIND B M3X8	
21	087310816	1	TAPTITE CUP B M3X8	
22	LR1820001	1	ALUMINUM SHEET FRAME	
23	LU4027001	1	DX HOOK ASSY AC (HL-4040CDN/4050CDN/4070CDW)	add

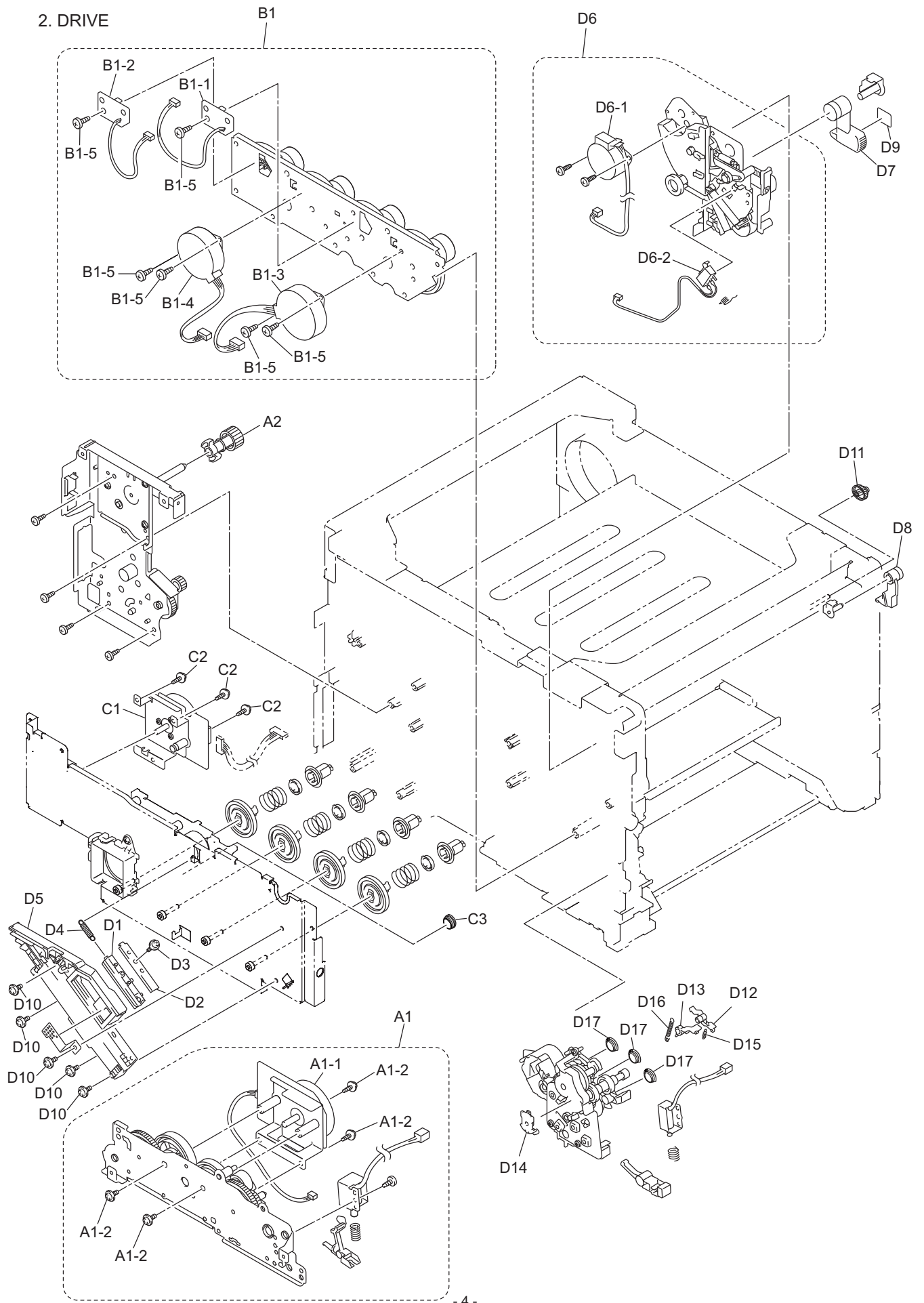
1. FRAME UNIT



2. DRIVE

REF No.	CODE	QTY	DESCRIPTION	REMARKS
			CLEANER DRIVE	
A1	LR1246001	1	DRIVE FRAME UNIT ASSY	
A1-1	LR0440001	1	PAPER FEED/BELT CLEANER MOTOR ASSY	
A1-2	087320616	4	TAPTITE CUP S M3X6	
A2	LR1126001	1	FUSER DRIVE GEAR 18	ADD
			DRUM DRIVE	
B1	LR1904001	1	DRUM DRIVE ASSY	chg
B1-1	LM9192001	1	DRUM PHASE SENSOR PCB ASSY1	
B1-2	LM9337001	1	DRUM PHASE SENSOR PCB ASSY2	
B1-3	Z31008001	1	DRUM DRIVE MOTOR1	chg
B1-4	Z31012001	1	DRUM DRIVE MOTOR2	chg
B1-5	085320616	6	TAPTITE BIND S M3X6	
			DEVELOP DRIVE	
C1	LR0193001	1	DEVELOP DRIVE MOTOR ASSY	
C2	087320616	3	TAPTITE CUP S M3X6	
C3	LU4111001	1	FRICTION CAP	add
			DRUM DRAW DRIVE	
D1	LR1006001	1	RELEASE RACK	
D2	LR1007001	1	RELEASE RACK PLATE	
D3	087310816	1	TAPTITE CUP B M3X8	
D4	LR1008001	1	RELEASE RACK SPRING	
D5	LR1228001	1	THM/HUM SENSOR HOLDER ASSY	
D6	LR0803001	1	DEVELOP PRESS DRIVE L ASSY	
D6-1	LR0823001	1	DEVELOP RELEASE DRIVE MOTOR ASSY	
D6-2	LR0827001	1	FRONT COVER INTERLOCK SWITCH ASSY	
D7	LR1014001	1	DRUM LOCK LEVER L	
D8	LR1018001	1	DRUM LOCK LEVER R	
D9	LR1710001	1	DRUM LOCK LEVER LABEL	
D10	087320616	5	TAPTITE CUP S M3X6	
D11	LR1023001	1	DRUM LOCK GEAR 24	add
D12	LR0307001	1	HOOK B	add
D13	LR0308001	1	HOOK C	add
D14	LR0327001	1	BUSH 7	add
D15	LR0910001	1	HOOK SPRING BC	add
D16	LR0310001	1	PP GEAR CLUTCH CAM SPRING	add
D17	LR0296001	3	BUSH 5	add

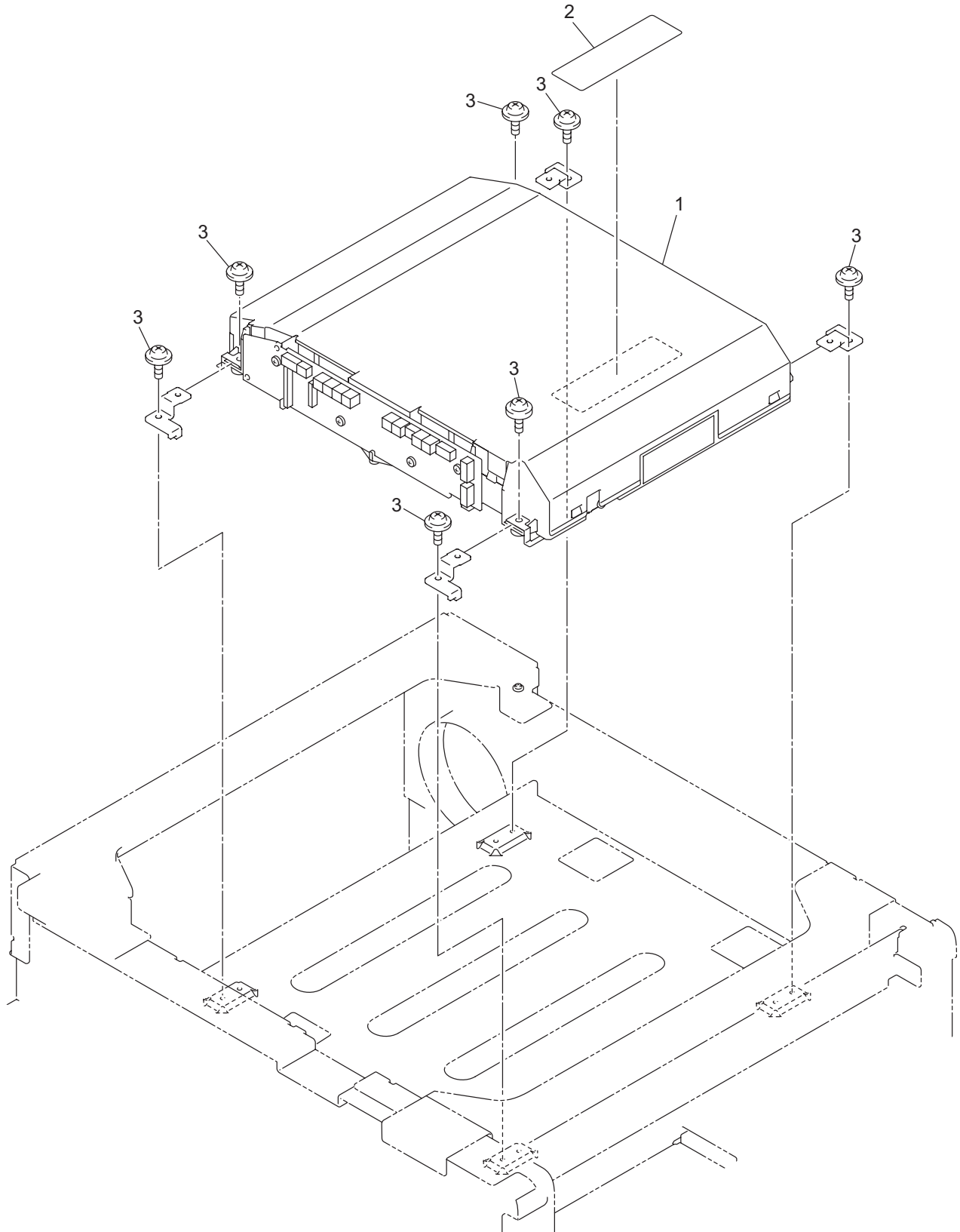
2. DRIVE



3. LASER UNIT

REF No.	CODE	QTY	DESCRIPTION	REMARKS
1	LU4373001	1	LASER UNIT AC (SP)	CHG
2	LJ0908001	1	LASER CAUTION LABEL (EXCEPT CHN)	
2	UL7931001	1	LASER CAUTION LABEL (CHN)	
3	LM5867001	7	TAPTITE CUP S M3X6 SR	

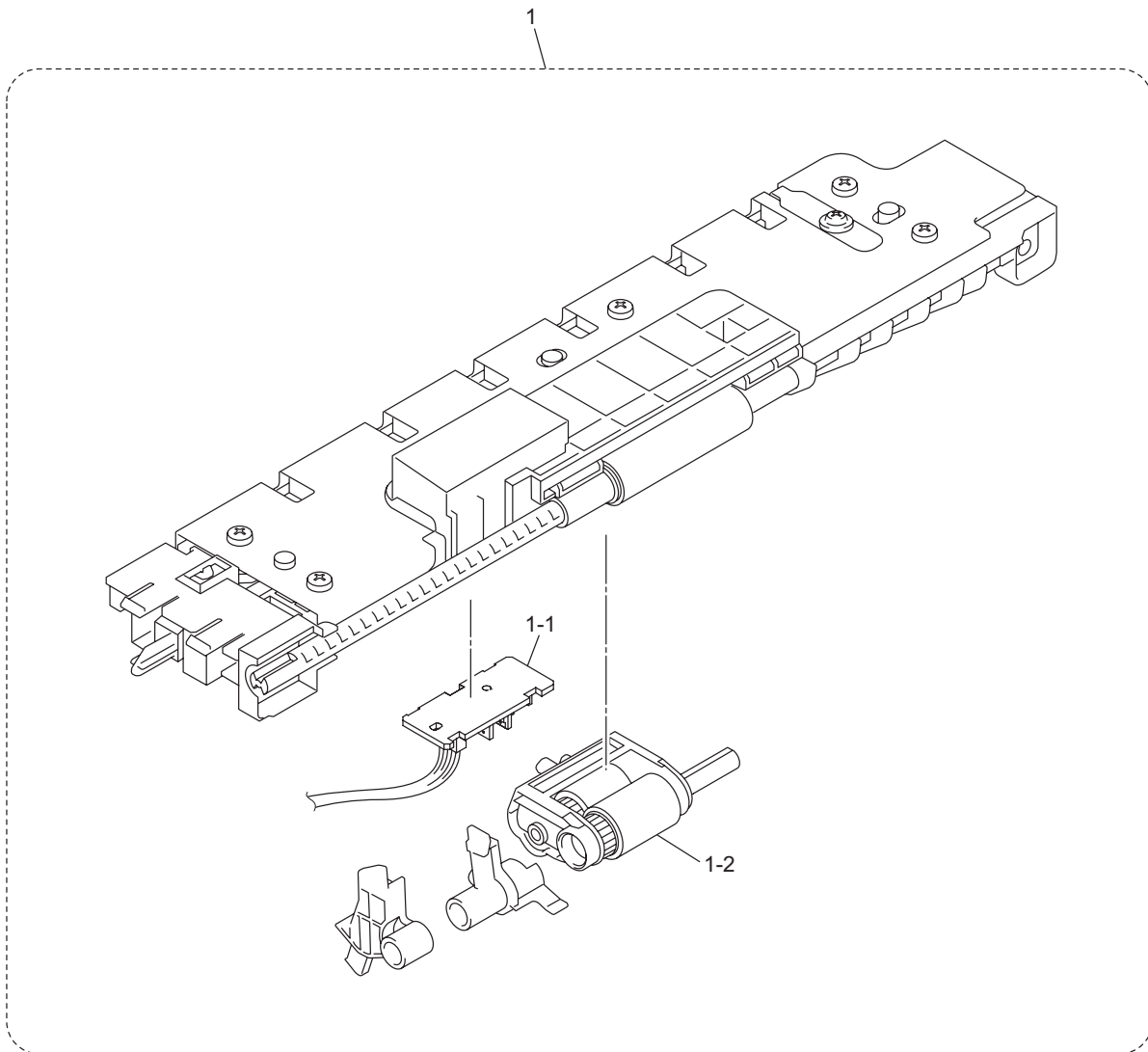
3. LASER UNIT



4. PAPER FEEDER

REF No.	CODE	QTY	DESCRIPTION	REMARKS
1	LR0107001	1	PAPER FEED FRAME UNIT	
1-1	LM9185001	1	T1 PE/EDGE SENSOR PCB ASSY	
1-2	LR1914001	1	ROLLER HOLDER ASSY IE301	CHG

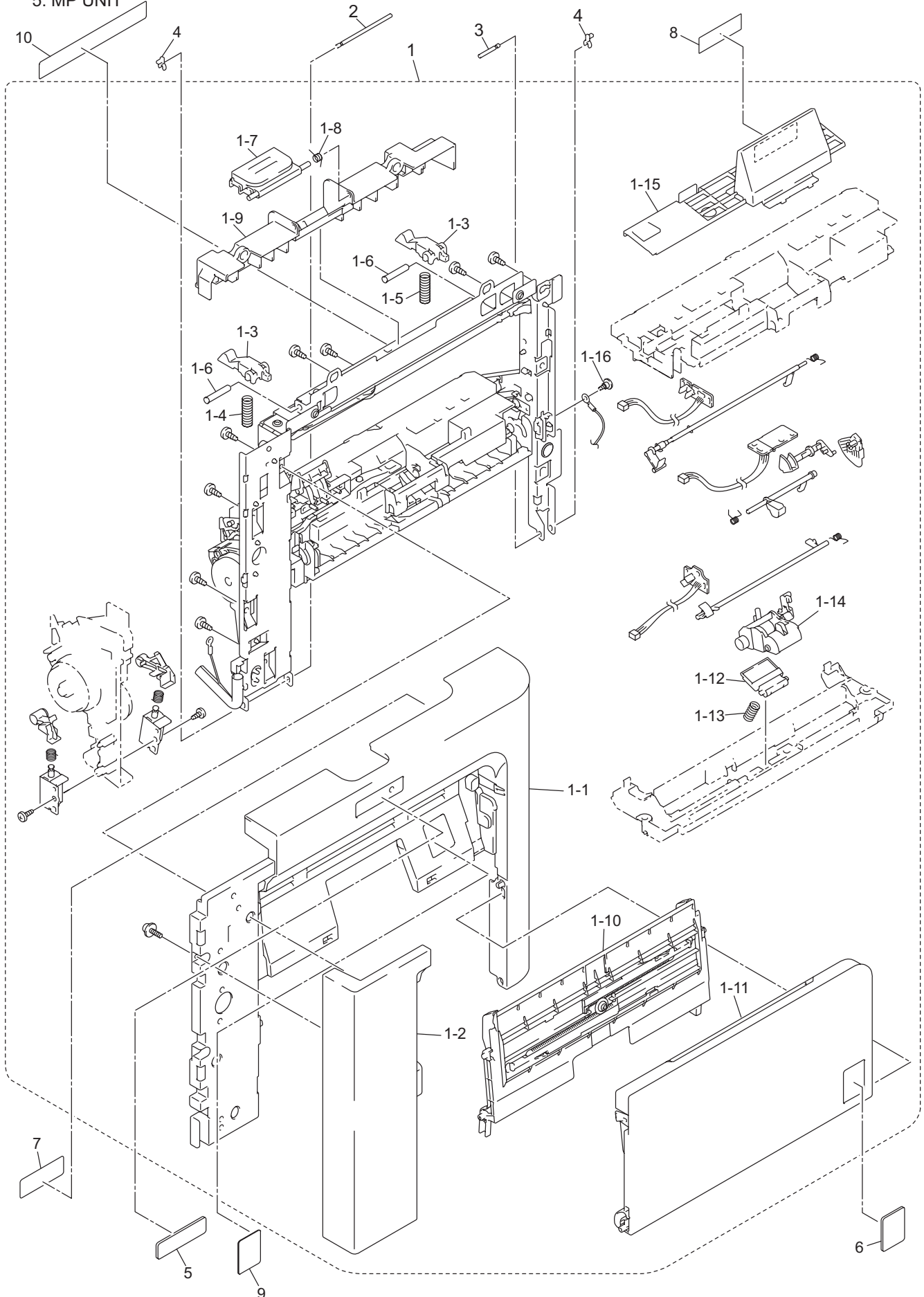
4. PAPER FEEDER



5. MP UNIT

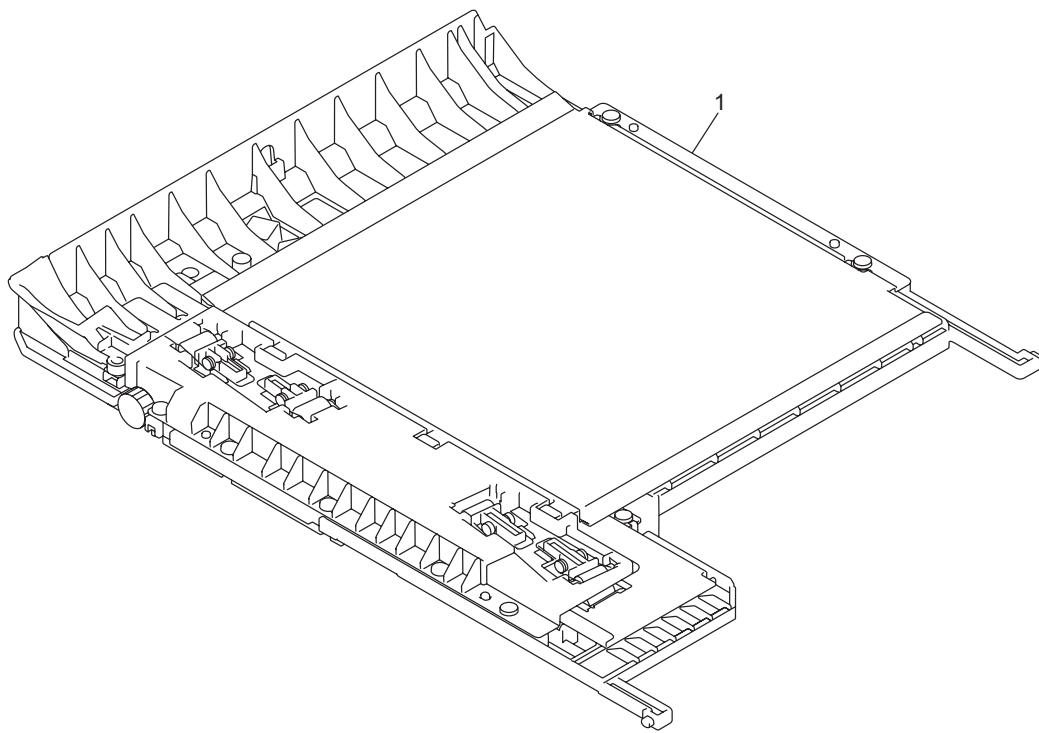
REF No.	CODE	QTY	DESCRIPTION	REMARKS
1	LR1768002	1	FRONT DOOR UNIT ASSY (SP), HL-4040CN, HL-4040CDN	
1	LR1768001	1	FRONT DOOR UNIT ASSY (SP), HL-4050CDN, HL-4070CDW	
1-1	LR1601001	1	FRONT DOOR MAIN ASSY	
1-2	LR0707002	1	FRONT DOOR SUB, HL-4040CN, HL-4040CDN	
1-2	LR0707001	1	FRONT DOOR SUB, HL-4050CDN, HL-4070CDW	
1-3	LR1037001	2	HOOK	
1-4	LR1676001	1	HOOK SPRING L	
1-5	LR1677001	1	HOOK SPRING R	
1-6	LR1025001	2	HOOK SHAFT	
1-7	LR0691001	1	FRONT COVER RELEASE BUTTON	
1-8	LR0692001	1	BUTTON SPRING	
1-9	LR0700001	1	HOOK COVER	
1-10	LR0854001	1	MP PAPER GUIDE ASSY	
1-11	LR0856002	1	MP COVER ASSY, HL-4040CN, HL-4040CDN	
1-11	LR0856001	1	MP COVER ASSY, HL-4050CDN, HL-4070CDW	
1-12	LR0716001	1	MP SEPARATION PAD ASSY	
1-13	LR0718001	1	MP SEPARATION PAD SPRING	
1-14	LR1916001	1	MP ROLLER HOLDER ASSY IE301	chg
1-15	LR0853001	1	MP FEED FRAME COVER	
1-16	LU4058001	1	SHOULDER SCREW	add
2	LR0860001	1	HINGE SHAFT L	
3	LR0861001	1	HINGE SHAFT R	
4	LR0862001	2	COLLAR 3	
5	LR1247004	4	BROTHER EMBLEM	DEL
5	LU4163001	1	BROTHER EMBLEM 2	ADD
6	LR1248001	1	COLOR LASER LABEL	
7	LR1388001	1	HEATER CAUTION LABEL	
8	LU0233001	1	CAUTION LABEL S 13X40	
9	LR1389001	1	MP SET INSTRUCTION LABEL	add
10	LR1610001	1	TONER LABEL US (US/CAN/BRZ/CHL/ARG)	add
10	LR1619001	1	TONER LABEL EU (GER/UK/SWI/ITA/ISR/SAF/RUS/PAN-NOR/BEL/FRA/HOL/ IBERIA/EEU GENERAL)	add
10	LR1736001	1	TONER LABEL CHN	add
10	LR1757001	1	TONER LABEL AP (ARL/SGP/GULF)	add

5. MP UNIT



6. DX

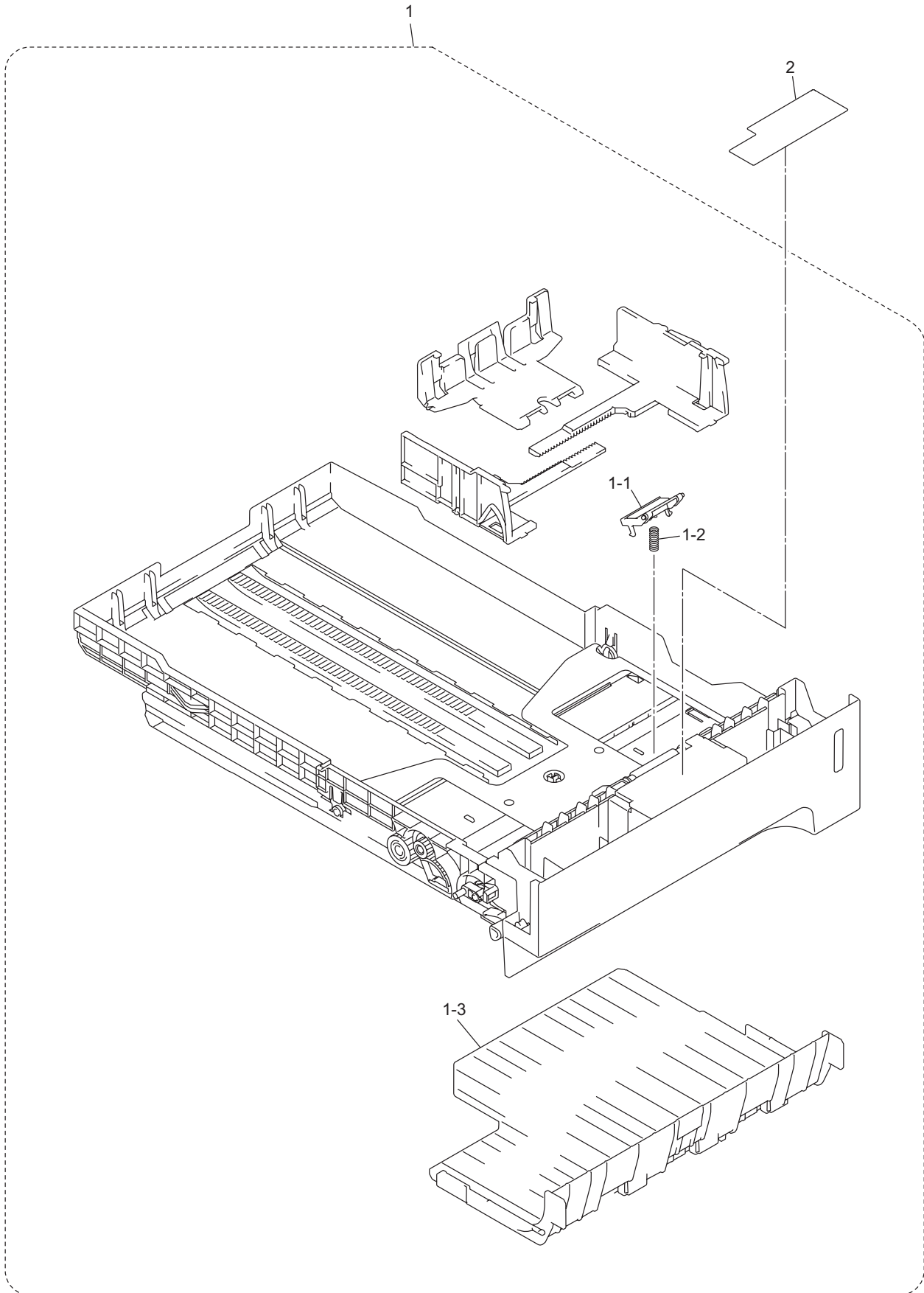
REF No.	CODE	QTY	DESCRIPTION	REMARKS
1	LR0228001	1	DX FEED ASSY, HL-4040CDN, HL-4050CDN, HL-4070CDW	



7. PAPER TRAY

REF No.	CODE	QTY	DESCRIPTION	REMARKS
1	LR1186001	1	PAPER TRAY UNIT, HL-4040CN	CHG
1	LR0247002	1	PAPER TRAY UNIT, HL-4040CDN	
1	LR0247001	1	PAPER TRAY UNIT, HL-4050CDN, HL-4070CDW	
1-1	LM5237001	1	SEPARATION PAD ASSY	
1-2	LR0931001	1	SEPARATION PAD SPRING	
1-3	LR0545002	1	PAPER GUIDE DX ASSY, HL-4040CDN	
1-3	LR0545001	1	PAPER GUIDE DX ASSY, HL-4050CDN, HL-4070CDW	
2	LU4358001	1	LABEL SPRAY CAUTION TRAY 2	add

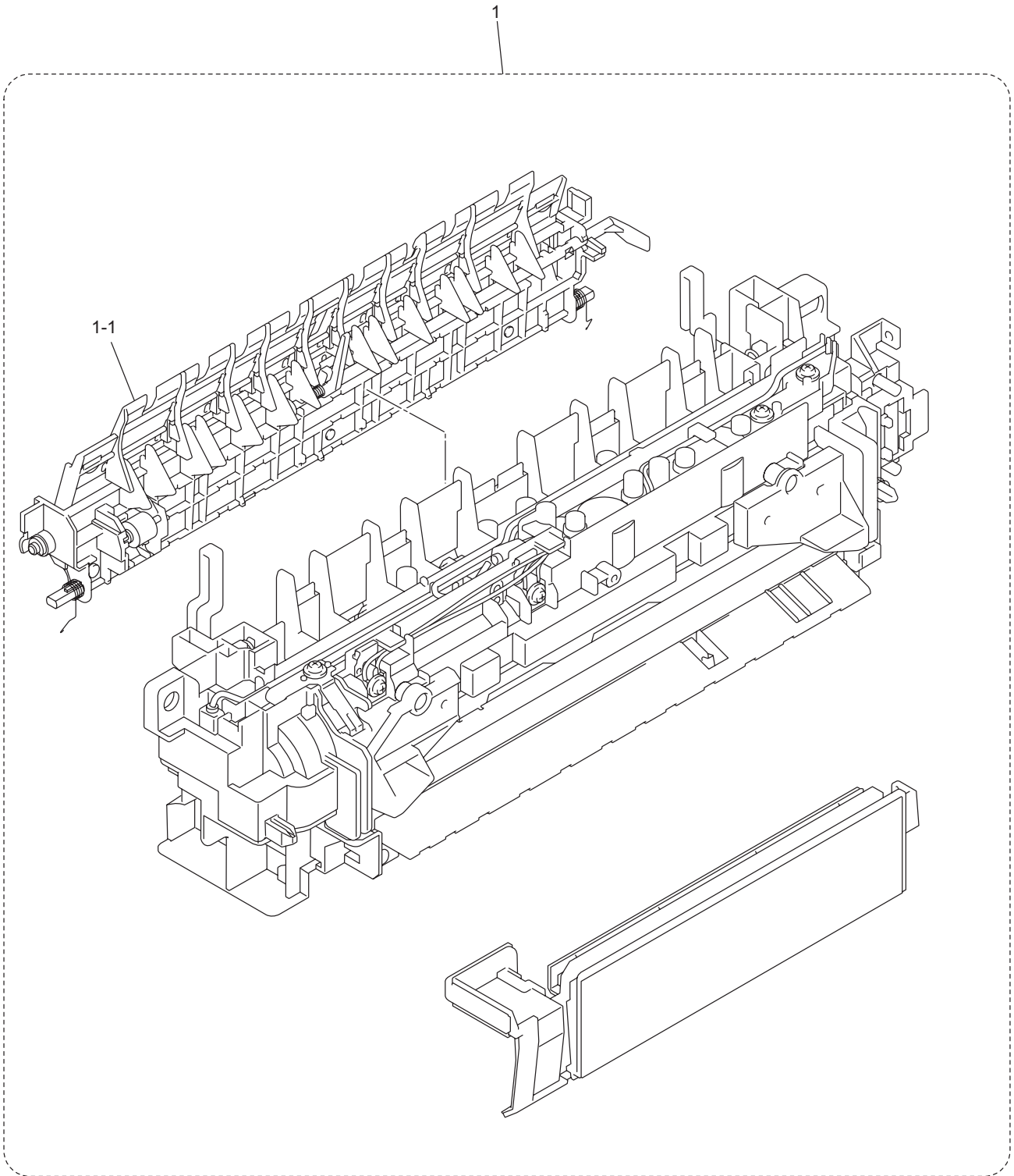
7. PAPER TRAY



8. FUSER UNIT

REF No.	CODE	Q'TY	DESCRIPTION	REMARKS
1	LU4103001	1	FUSER UNIT 115V (SP)	chg
1	LU4104001	1	FUSER UNIT 230V (SP)	chg
1-1	LU4093001	1	FUSER REAR COVER ASSY (SP)	add
4-2	LJ0395004	2	TAPTITE PAN B M4X14	DEL

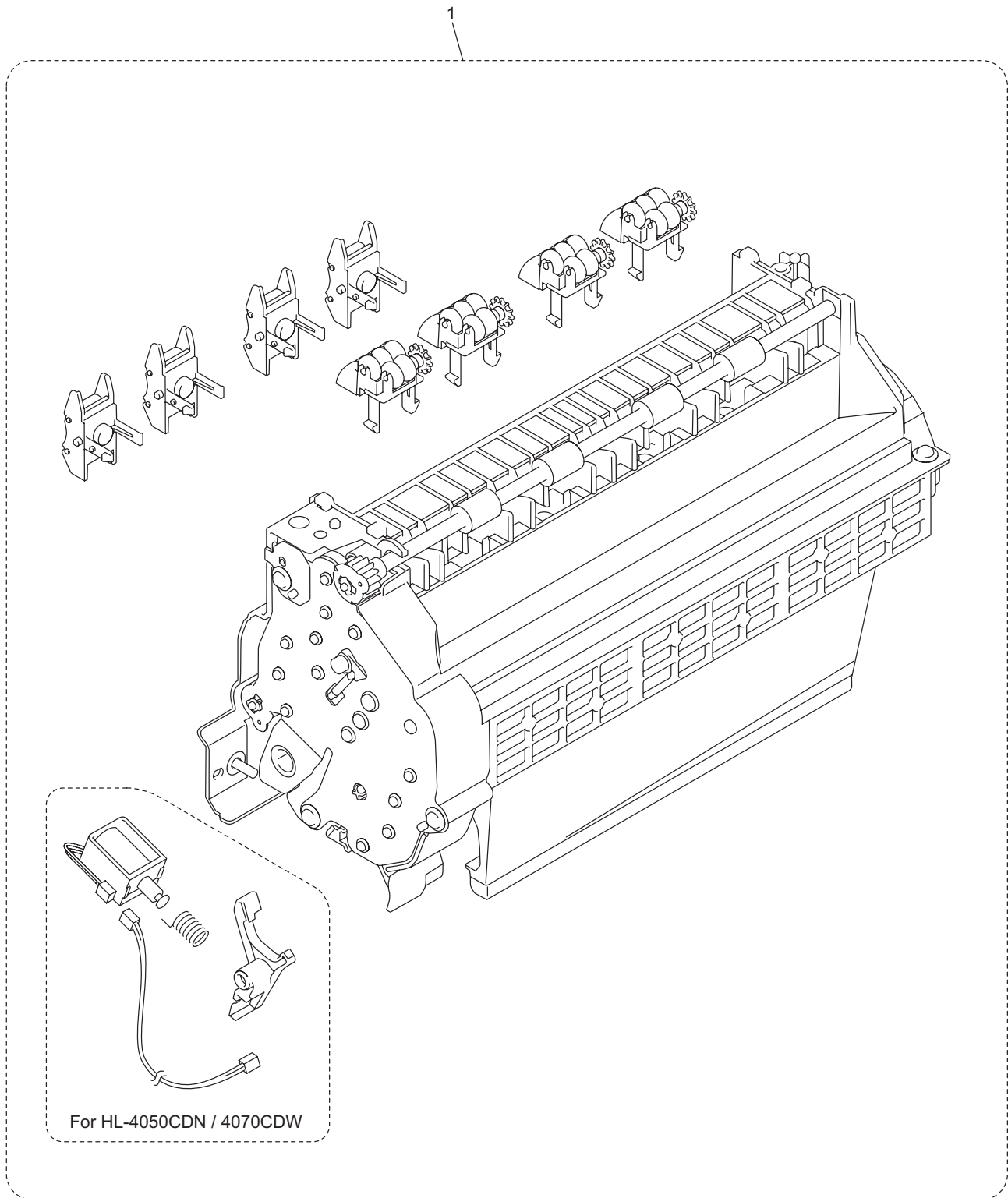
8. FUSER UNIT



9. PAPER EJECT

REF No.	CODE	Q'TY	DESCRIPTION	REMARKS
1	LU0534001	1	PAPER EJECT ASSY SX (SP), HL-4040CN	CHG
1	LU0533001	1	PAPER EJECT ASSY DX (SP), HL-4040CDN, HL-4050CDN, HL-4070CDW	CHG

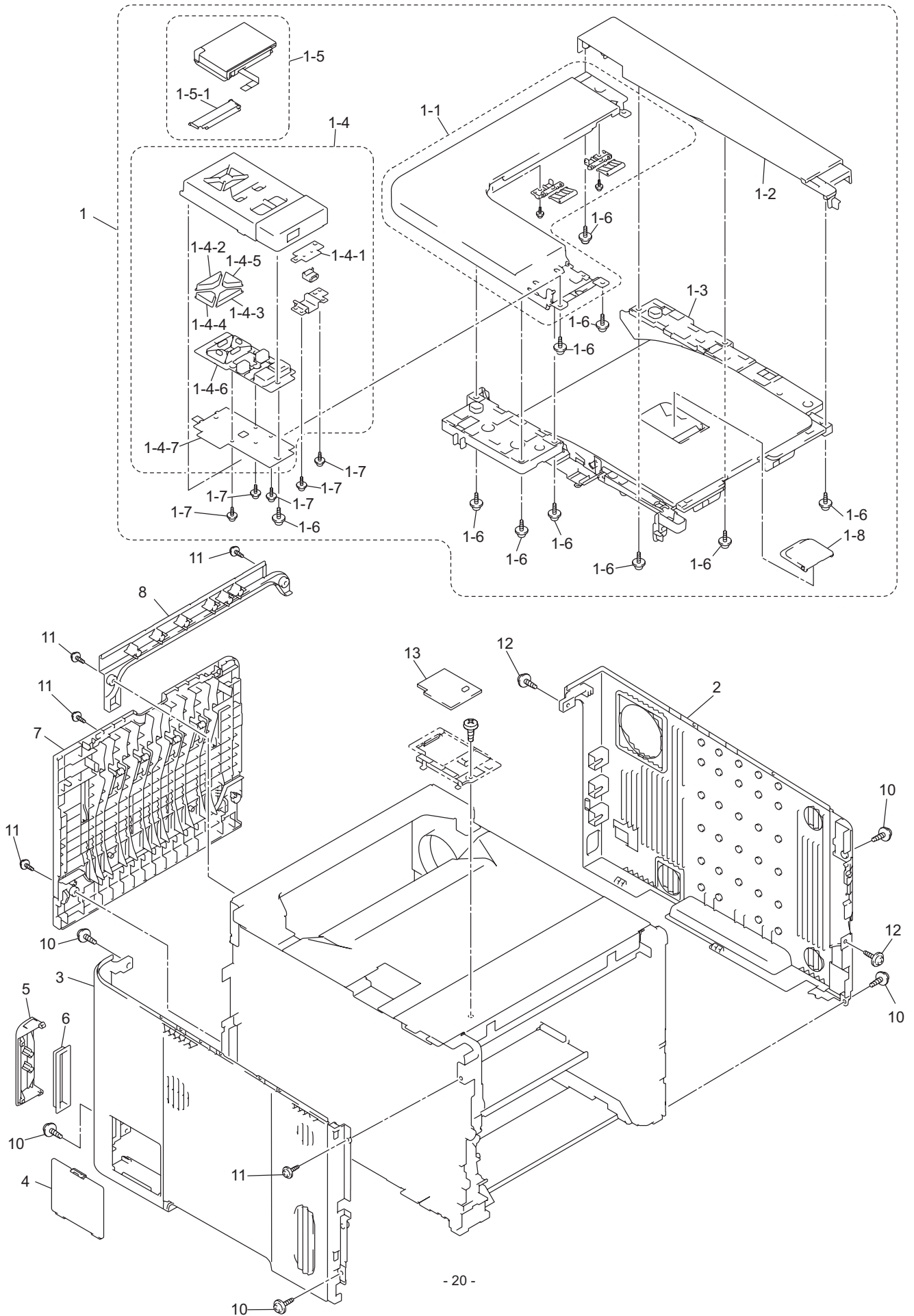
9. PAPER EJECT



10. COVERS&LABELS

REF No.	CODE	QTY	DESCRIPTION	REMARKS
1	LR1231001	1	TOP COVER ASSY 40, HL-4040CN	
1	LU4280001	1	TOP COVER ASSY 40D, HL-4040CDN	
1	LR0485001	1	TOP COVER ASSY 50, HL-4050CDN	
1	LR1232001	1	TOP COVER ASSY 70, HL-4070CDW	
1-1	LR1910002	1	TOP COVER L ASSY, HL-4040CN, HL-4040CDN	chg
1-1	LR1910001	1	TOP COVER L ASSY, HL-4050CDN, HL-4070CDW	chg
1-2	LR0488001	1	TOP COVER R	
1-3	LR0489001	1	PAPER CHUTE	
1-4	LR1178002	1	TOP COVER PANEL ASSY, HL-4040CN, HL-4040CDN	
1-4	LR1178001	1	TOP COVER PANEL ASSY, HL-4050CDN	
1-4	LR1251001	1	TOP COVER PANEL ASSY, HL-4070CDW	
1-4-1	LM9332001	1	USB HOST RELAY PCB ASSY	
1-4-2	LR0491001	1	KEY CUP UP	
1-4-3	LR0492001	1	KEY CUP DOWN	
1-4-4	LR0493001	1	KEY CUP L	
1-4-5	LR0494001	1	KEY CUP R	
1-4-6	LR1250002	1	RUBBER KEY PRINTED ASSY, HL-4040CN, HL-4040CDN	
1-4-6	LR1250001	1	RUBBER KEY PRINTED ASSY, HL-4050CDN, HL-4070CDW	
1-4-7	LM9212001	1	LCD PANEL PCB ASSY	
1-5	LR1187001	1	LCD PANEL ASSY 40, HL-4040CN	
1-5	LU4281001	1	LCD PANEL ASSY 40D, HL-4040CDN	
1-5	LR1179001	1	LCD PANEL ASSY 50, HL-4050CDN	
1-5	LR1233001	1	LCD PANEL ASSY 70, HL-4070CDW	
1-5-1	LR0508001	1	LCD STOPPER	
1-6	087411216	10	TAPTITE CUP B M4X12	chg
1-7	085310816	5	TAPTITE BIND B M3X8	chg
1-8	LR0521001	1	SUPPORT FLAP	add
2	LU4286001	1	SIDE COVER R ASSY A	CHG
3	LR1599002	1	SIDE COVER L ASSY, HL-4040CN, HL-4040CDN	
3	LR1599001	1	SIDE COVER L ASSY, HL-4050CDN, HL-4070CDW	
4	LR0516002	1	ACCESS COVER, HL-4040CN, HL-4040CDN	
4	LR0516001	1	ACCESS COVER, HL-4050CDN, HL-4070CDW	
5	LR1253001	1	IF COVER 40, HL-4040CN, HL-4040CDN	
6	LR1254001	1	IF COVER 40 SUB, HL-4040CN, HL-4040CDN	
7	LR1361002	1	BACK COVER ASSY, HL-4040CN, HL-4040CDN	
7	LR1361001	1	BACK COVER ASSY, HL-4050CDN, HL-4070CDW	
8	LR0519002	1	BACK COVER UPPER, HL-4040CN, HL-4040CDN	
8	LR0519001	1	BACK COVER UPPER, HL-4050CDN, HL-4070CDW	
9	LR0521001	4	SUPPORT FLAP	del
10	087411216	5	TAPTITE CUP B M4X12	
11	087320816	5	TAPTITE CUP S M3X8	
12	087420816	2	TAPTITE CUP S M4X8	
13	LG7359001	1	WIRELESS LAN PCB ASSY, HL-4070CDW	

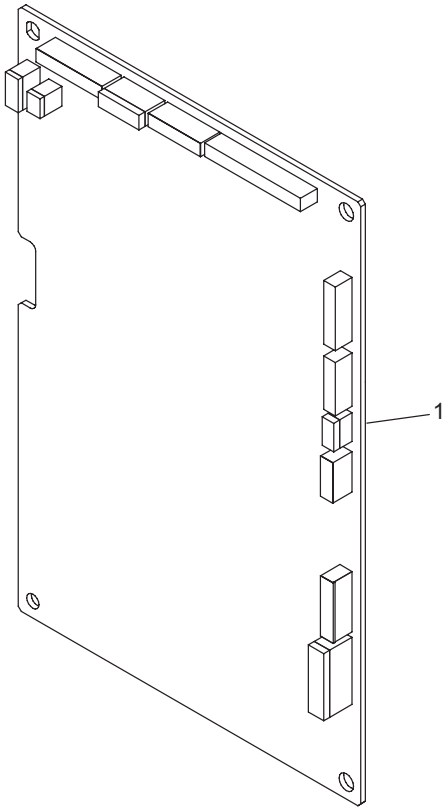
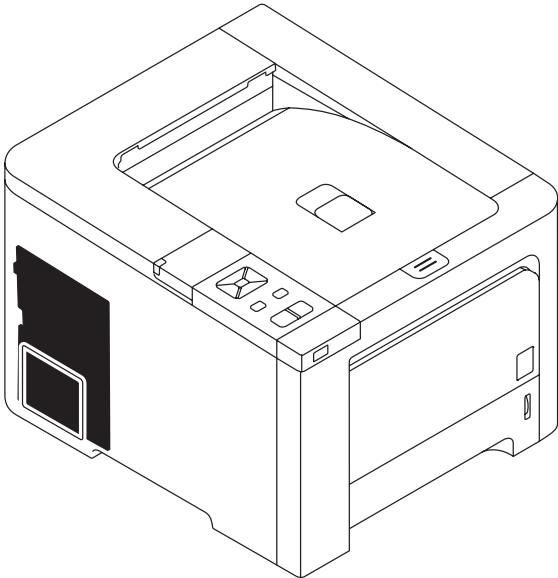
10. COVERS&LABELS



11. MAIN PCB

REF No.	CODE	QTY	DESCRIPTION	SYMBOL	REMARKS
1	LM9197002	1	MAIN PCB ASSY, HL-4040CN US/BRZ	B512246	
1	LM9197012	1	MAIN PCB ASSY, HL-4040CN CAN	B512246	
1	LM9197022	1	MAIN PCB ASSY, HL-4040CN GER/UK/SWI/ITA/ISR/ SAF/PAN-NORDIC/BEL/FRA/HOL/IBERIA/ARL/SGP/ GULF/RUS/EEU GENERAL/CHN	B512246	
1	LM9197004	1	MAIN PCB ASSY, HL-4040CDN US	B512246	
1	LM9197014	1	MAIN PCB ASSY, HL-4040CDN CAN	B512246	
1	LM9197011	1	MAIN PCB ASSY, HL-4050CDN CAN	B512246	
1	LM9197021	1	MAIN PCB ASSY, HL-4050CDN GER/UK/SWI/ITA/ISR/ SAF/PAN-NORDIC/BEL/FRA/HOL/IBERIA/ARL/SGP/ GULF/RUS/EEU GENERAL/CHL/ARG	B512246	
1	LM9197031	1	MAIN PCB ASSY, HL-4050CDN CHN	B512246	
1	LM9197003	1	MAIN PCB ASSY, HL-4070CDW US	B512246	
1	LM9197013	1	MAIN PCB ASSY, HL-4070CDW CAN	B512246	
1	LM9197023	1	MAIN PCB ASSY, HL-4070CDW GER/UK/SWI/PAN- NORDIC/BEL/FRA/HOL/IBERIA/ITA	B512246	

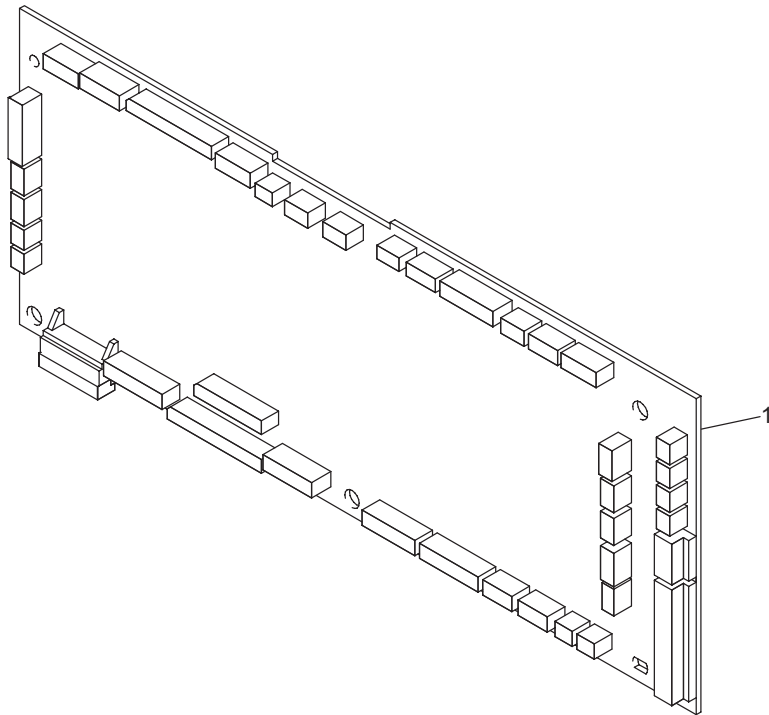
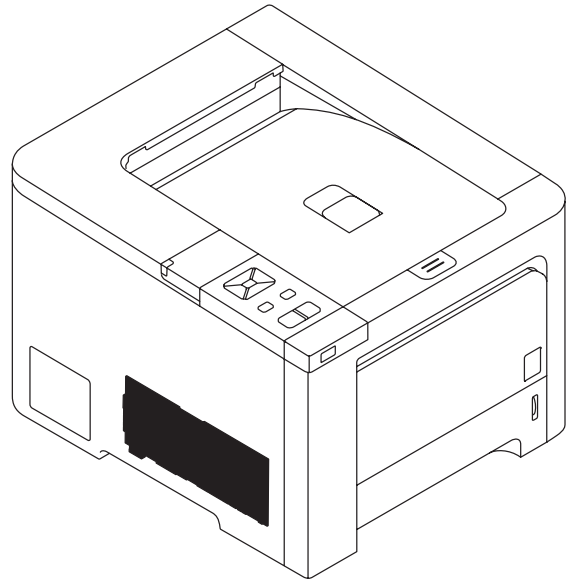
11. MAIN PCB



12. ENGINE PCB

REF No.	CODE	QTY	DESCRIPTION	SYMBOL	REMARKS
1	LV0378001	1	ENGINE PCB ASSY (HL-4040CDN/4050CDN/4070CDW)	B512250	CHG
1	LV0378002	1	ENGINE PCB ASSY (HL-4040CN)	B512250	CHG

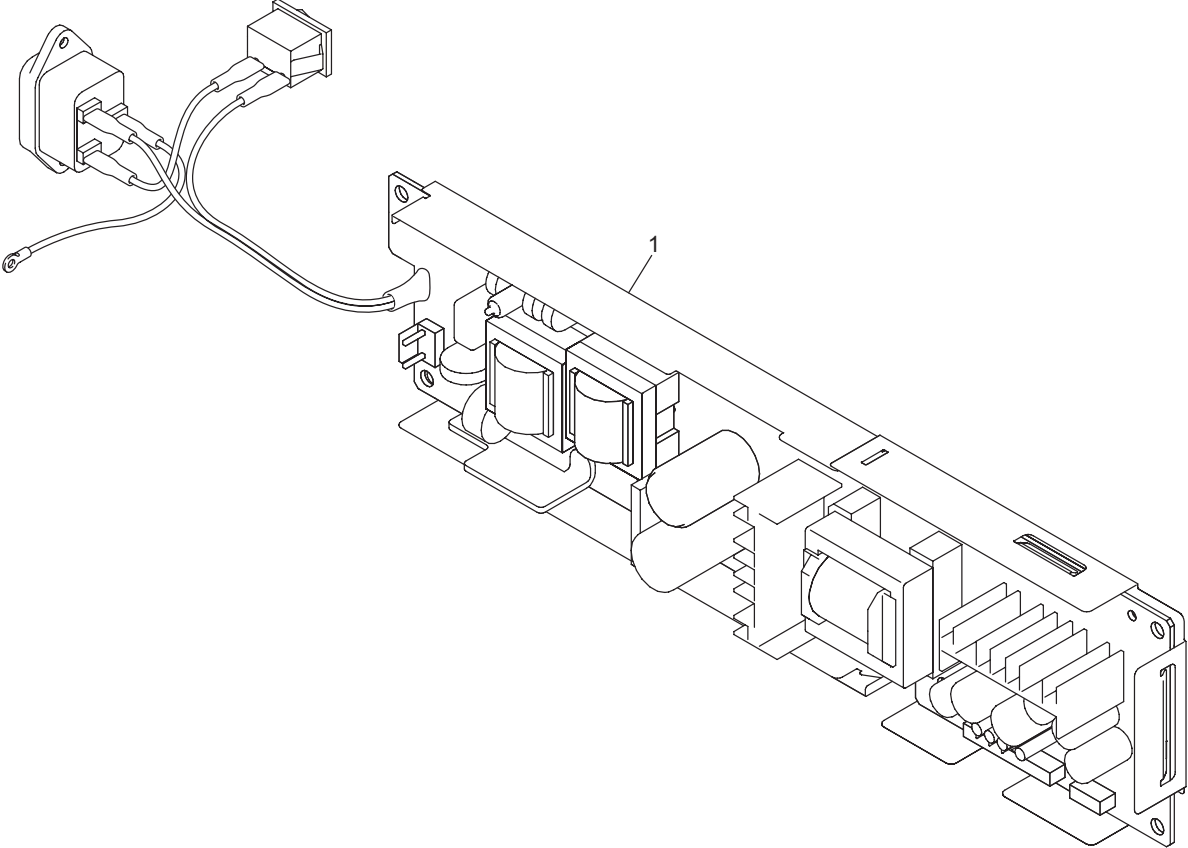
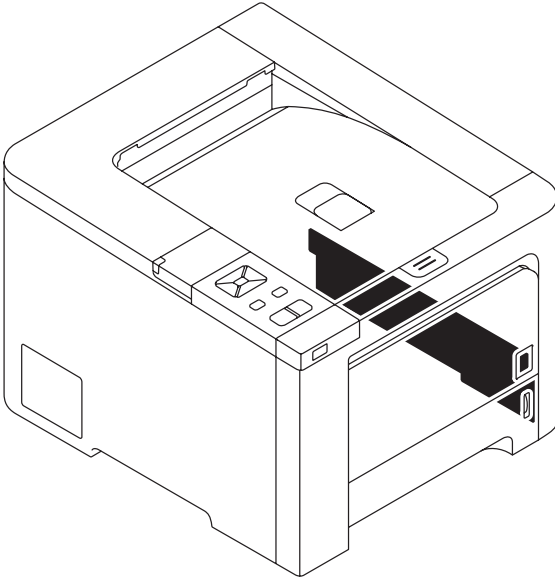
12. ENGINE PCB



13. LVPS

REF No.	CODE	QTY	DESCRIPTION	REMARKS
1	LM9246001	1	PS PCB UNIT 115V	
1	LM9287001	1	PS PCB UNIT 230V FOR GER/ARL/SGP/ISR/SAF/GULF/RUS/CHL	
1	LV0737001	1	PS PCB UNIT 230V FOR UK/SWI/ITA/ PAN-NORDIC/BEL/FRA/HOL/IBERIA/EEU GENERAL	ADD
1	LM9503001	1	PS PCB UNIT 230V CHN	

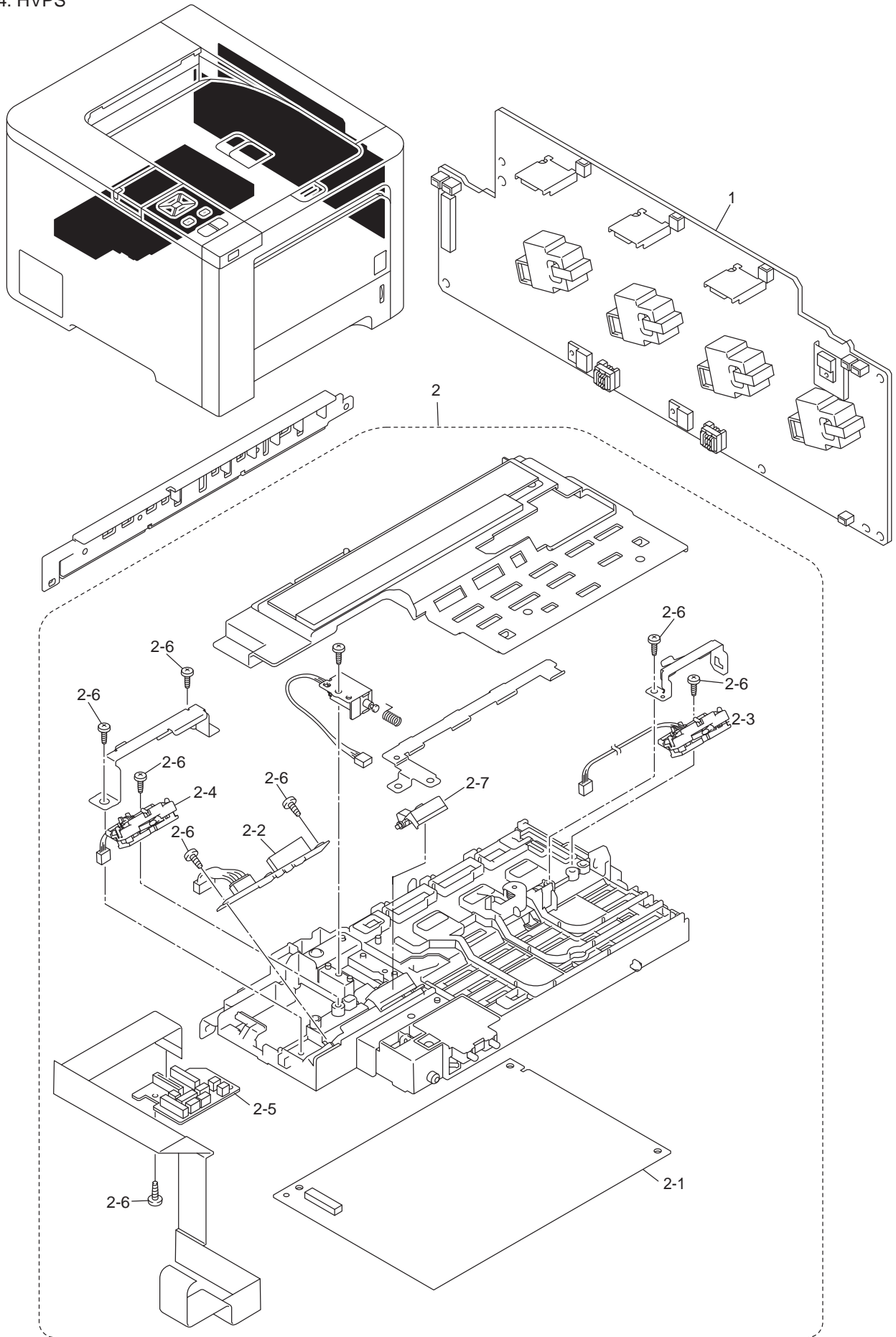
13. LVPS



14. HVPS

REF No.	CODE	Q'TY	DESCRIPTION	REMARKS
1	LM9506001	1	CHARGE HVPS PCB ASSY	chg
2	LR0902001	1	TRANSFER HVPS PCB UNIT	
2-1	LM9253001	1	TRANSFER HVPS PCB ASSY	
2-2	LM9224001	1	DENSITY SENSOR	
2-3	LM9446001	1	REGISTRATION-MARK SENSOR PCB ASSY1	
2-4	LM9448001	1	REGISTRATION-MARK SENSOR PCB ASSY2	
2-5	LM9445001	1	REGISTRATION RELAY PCB ASSY	
2-6	085310816	8	TAPTITE BIND B M3X8	
2-7	LU4445001	1	SENSOR SHUTTTER BAG ASSY	

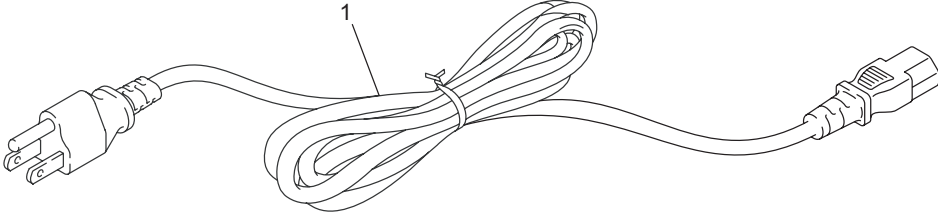
14. HVPS



15. AC CORD

REF No.	CODE	Q'TY	DESCRIPTION	REMARKS
1	LM9362001	1	AC CORD BAG ASSY LF UL/CSA 13A	
1	LG4424001	1	AC CORD BAG ASSY LF VDE	
1	LV0368001	1	AC CORD BAG ASSY LF BS/PSB S	chg
1	LT2259001	1	AC CORD BAG ASSY LF SEV	CHG
1	LG7005001	1	AC CORD BAG ASSY LF ISRAEL	
1	LG6404001	1	AC CORD BAG ASSY LF SAF	
1	LG4720001	1	AC CORD BAG ASSY LF DEMKO	
1	LV0366001	1	AC CORD BAG ASSY LF SAA S	chg
1	LV0362001	1	AC CORD BAG ASSY LF CHN S	chg
1	LV0371001	1	AC CORD BAG ASSY LF BRZ	chg
1	LG6207001	1	AC CORD BAG ASSY LF CHILE	
1	LT0925001	1	AC CORD BAG ASSY LF IRAM	chg

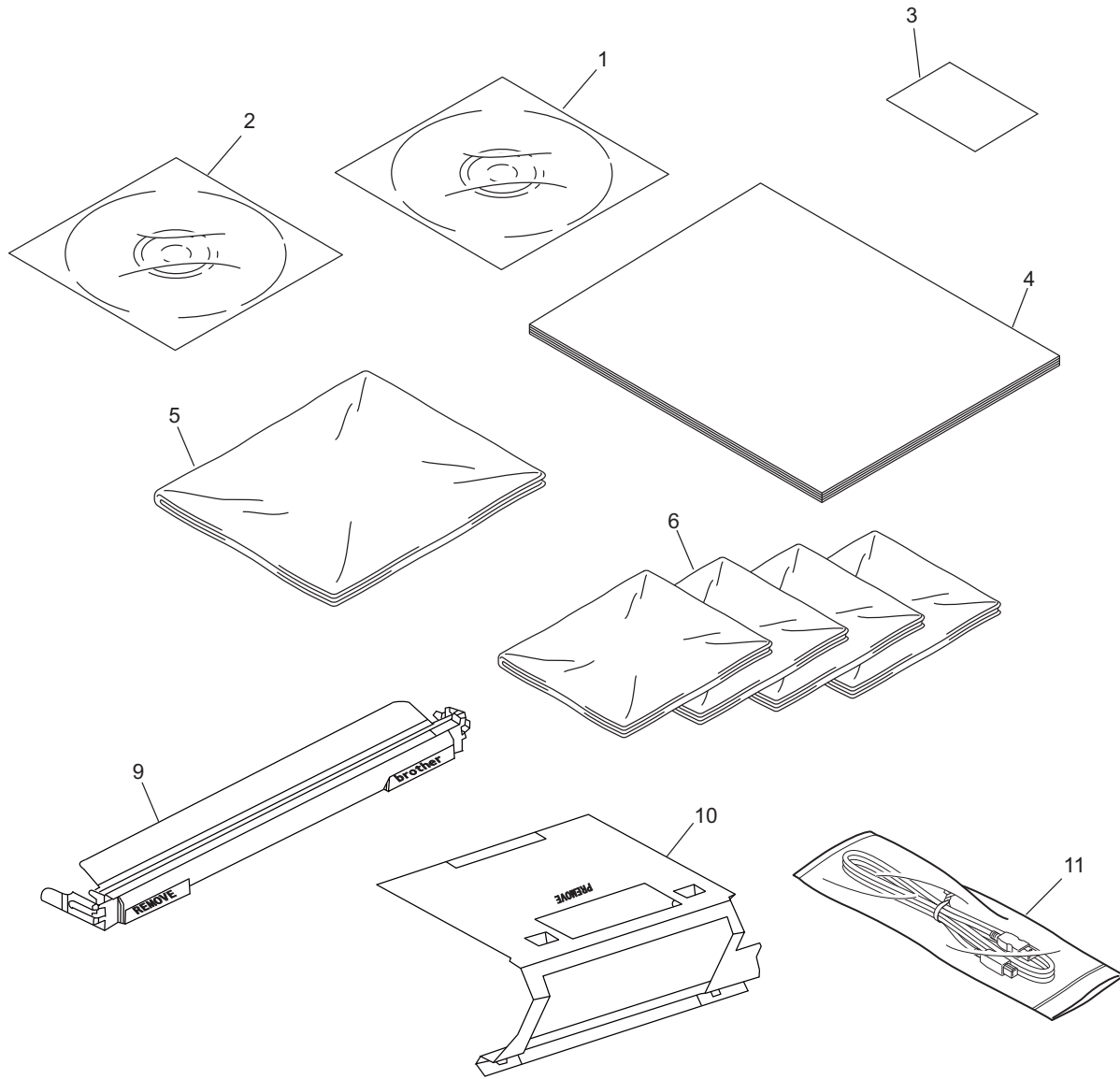
15. AC CORD



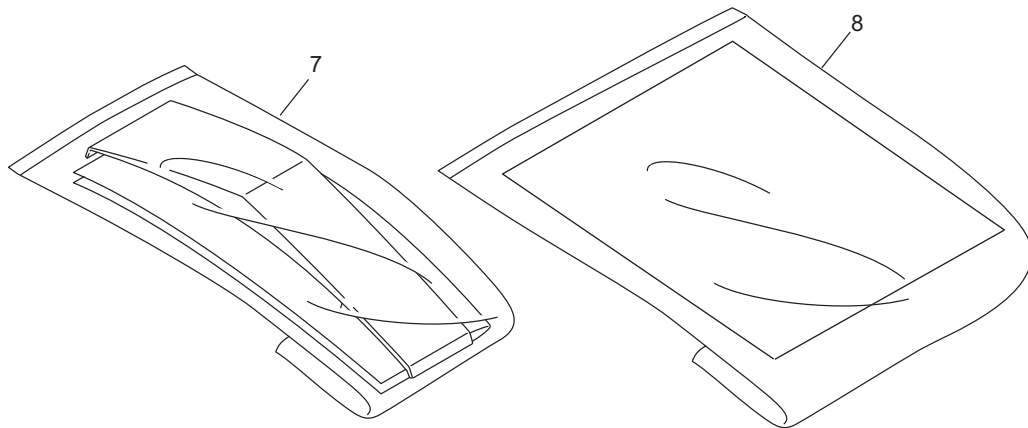
16. ACCESSORIES

REF No.	CODE	QTY	DESCRIPTION	REMARKS
4	LR1408004	4	CD ASSY AC 40/50, HL-4040CN, HL-4050CDN	del
1	LR1759001	1	CD ASSY AC EEU/RUS	
1	LR1876001	1	CD ASSY AC CHN	
1	LU4270001	1	CD ASSY AC US/EU, US/CAN/GER/UK/ARL/SGP/GULF/SWI/ITA/ISR/SAF/CHL/ARG/ BRZ/PAN-NORDIC/BEL/FRA/HOL/IBERIA	chg
2	LU4368001	1	CD ASSY WIN7 EXCEPT CHN/RUS/EEU	add
2	LU4370001	1	CD ASSY WIN7 CHN	add
2	LU4369001	1	CD ASSY WIN7 EEU/RUS	add
3	LR1695001	1	FRENCH PANEL STICKER, HL-4040CN/4040CDN CAN	
3	LR1695002	1	FRENCH PANEL STICKER, HL-4050CDN CAN	
4	LR1446001	1	SET GUIDE (ENG), HL-4040CN US/CAN/UK/ISR/SAF/ARL/SGP/GULF, HL-4040CDN, HL-4050CDN CAN/UK/ISR/SAF/ARL/SGP/GULF	
4	LR1446005	1	SET GUIDE (FRE), HL-4040CN CAN/SWI/BEL/FRA/HOL, HL-4040CDN CAN, HL-4050CDN CAN/SWI/BEL/FRA/HOL	
4	LR1446003	1	SET GUIDE (GER), HL-4040CN GER/SWI/EEU GENERAL, HL-4050CDN GER/SWI/EEU GENERAL	
4	LR1446016	1	SET GUIDE (ITA), HL-4040CN ITA, HL-4050CDN ITA	
4	LR1446007	1	SET GUIDE (NOR), HL-4040CN PAN-NORDIC, HL-4050CDN PAN-NORDIC	
4	LR1446026	1	SET GUIDE (SWE), HL-4040CN PAN-NORDIC, HL-4050CDN PAN-NORDIC	
4	LR1446013	1	SET GUIDE (DEN), HL-4040CN PAN-NORDIC, HL-4050CDN PAN-NORDIC	
4	LR1446012	1	SET GUIDE (FIN), HL-4040CN PAN-NORDIC, HL-4050CDN PAN-NORDIC	
4	LR1446009	1	SET GUIDE (DUT), HL-4040CN BEL/FRA/HOL, HL-4050CDN BEL/FRA/HOL	
4	LR1446015	1	SET GUIDE (SPA), HL-4040CN IBERIA, HL-4050CDN IBERIA/CHL/ARG	
4	LR1446018	1	SET GUIDE (POR), HL-4040CN IBERIA, HL-4050CDN IBERIA	
4	LR1446048	1	SET GUIDE (RUS), HL-4040CN RUS, HL-4050CDN RUS	
4	LR1446037	1	SET GUIDE (CZE/HUM/POL), HL-4040CN EEU GENERAL, HL-4050CDN EEU GENERAL	
4	LR1446079	1	SET GUIDE (ENG/ROM/BUL/SVK), HL-4040CN EEU GENERAL, HL-4050CDN EEU GENERAL	
4	LR1446020	1	SET GUIDE (CHN), HL-4040CN CHN, HL-4050CDN CHN	
4	LR1446042	1	SET GUIDE (BRZ-POR), HL-4040CN BRZ	
4	LR1447001	1	SET GUIDE W (ENG), HL-4070CDW US/CAN/UK	
4	LR1447003	1	SET GUIDE W (GER), HL-4070CDW GER/SWI	
4	LR1447005	1	SET GUIDE W (FRE), HL-4070CDW CAN/SWI/BEL/FRA/HOL	
4	LR1447007	1	SET GUIDE W (NOR), HL-4070CDW PAN-NORDIC	
4	LR1447009	1	SET GUIDE W (DUT), HL-4070CDW BEL/FRA/HOL	
4	LR1447012	1	SET GUIDE W (FIN), HL-4070CDW PAN-NORDIC	
4	LR1447013	1	SET GUIDE W (DEN), HL-4070CDW PAN-NORDIC	
4	LR1447015	1	SET GUIDE W (SPA), HL-4070CDW IBERIA/ITA	
4	LR1447016	1	SET GUIDE W (ITA), HL-4070CDW IBERIA/ITA	
4	LR1447018	1	SET GUIDE W (POR), HL-4070CDW IBERIA/ITA	
4	LR1447026	1	SET GUIDE W (SWE), HL-4070CDW PAN-NORDIC	
5	LR1712001	1	WASTER TONER BOX REPACKING BAG	
6	LR1705004	4	TONER REPACKING BAG	del
7	LR1734001	1	OUTPUT TRAY ATTACHMENT ASSY	
8	LR1892001	1	DRUM CLEANING SHEET KIT	add
9	LR0094001	1	DR COVER AC	CHG
10	LU4055001	1	DRUM UNIT REMOVE SHEET	add
11	LJ9803001	1	USB CABLE 2.0 (CHN)	add

16. ACCESSORIES



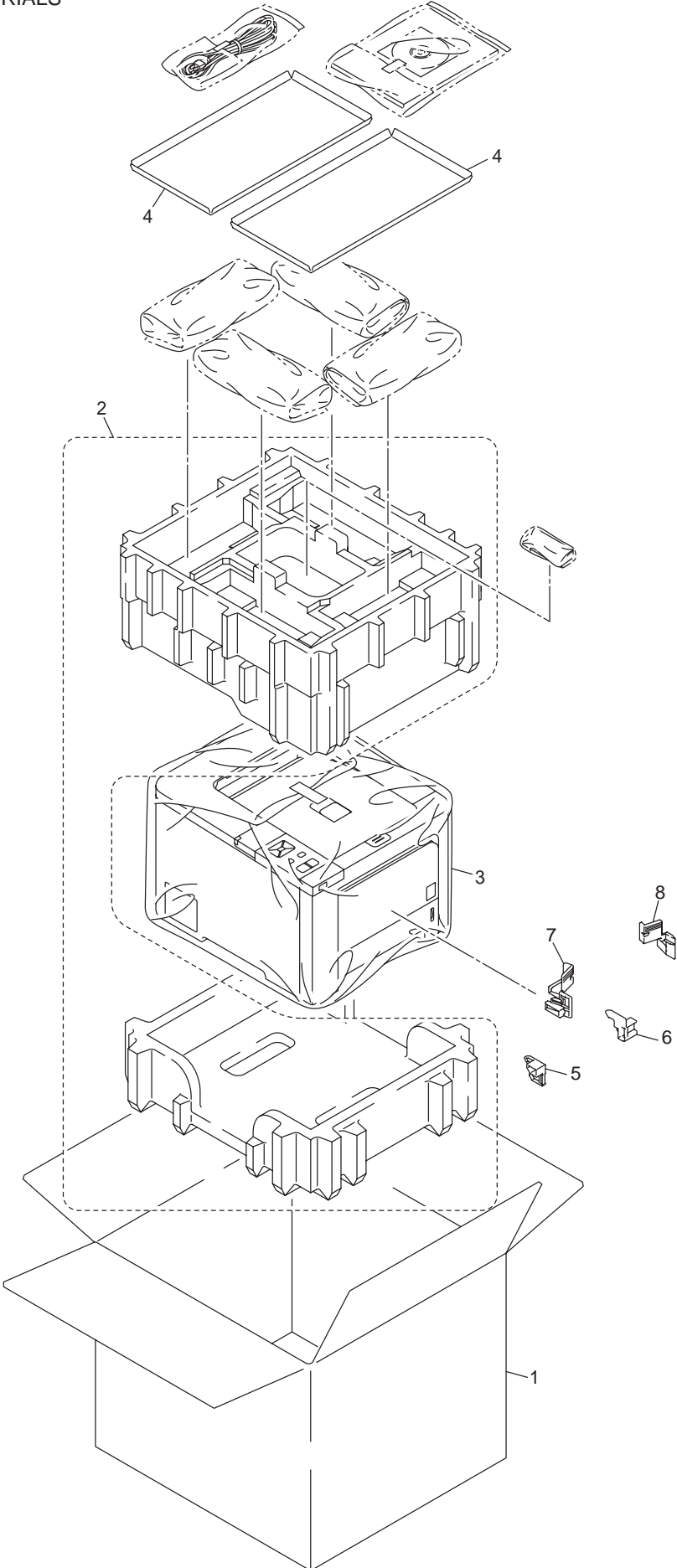
These parts are NOT supplied with a product.



17. PACKING MATERIALS

REF No.	CODE	QTY	DESCRIPTION	REMARKS
1	LR1794001	1	CARTON HL-4040 US/BRZ	
1	LR1795001	1	CARTON HL-4040 CAN	
1	LR1623001	1	CARTON HL-4040 EU	
1	LR1742001	1	CARTON HL-4040 AP	
1	LR1889001	1	CARTON HL-4040 CHN	
1	LU4283001	1	CARTON HL-4040CDN US	
1	LU4300001	1	CARTON HL-4040CDN CAN	
1	LR1699001	1	CARTON HL-4050 CAN/CHL/ARG	
1	LR1627001	1	CARTON HL-4050 EU	
1	LR1744001	1	CARTON HL-4050 AP	
1	LR1877001	1	CARTON HL-4050 CHN	
1	LR1796001	1	CARTON HL-4070 US	
1	LR1833001	1	CARTON HL-4070 CAN	
1	LR1804001	1	CARTON HL-4070 EU	
2	LR0636001	1	POLYSTYRENE PAD ASSY AC	
3	UE1688001	1	PE BAG 1000X1000H	
4	LR1119001	2	OPTION CARTON AC	
5	LU4075001	1	BELT LOCK L ASSY	CHG
6	LU4076001	1	BELT LOCK R ASSY	CHG
7	LR1332001	1	DRUM STOPPER L	
8	LR1333001	1	DRUM STOPPER R	

17. PACKING MATERIALS



18. PERIODICAL MAINTENANCE PART

REF No.	CODE	QTY	DESCRIPTION	REMARKS
1	LR1919001	1	PAPER FEED KIT IE301	CHG
2	LR1920001	1	MP PAPER FEED KIT IE301	CHG

18. PERIODICAL MAINTENANCE PART

