



Brother Laser Printer
PARTS REFERENCE LIST

MODEL: HL-4200CN

Read this list thoroughly before maintenance work.

Keep this list in a convenient place for quick and easy reference at all times.

NOTE FOR USING THIS PARTS REFERENCE LIST

1. In the case of ordering parts, it needs mentioning the following items:

- (1) Code
- (2) Q'ty
- (3) Description
- (4) Symbol (PCB No., Revision , and Parts location mounted on the PCB.)

Note : No orders without Parts Code or Tool No. can be accepted.

< Example >

	(1) CODE	(2) Q'TY	(3) DESCRIPTION	(4) SYMBOL	REMARK

Revision No.: marked on the **main printed circuit board**.

B48K056 - 201A



Revision No.: marked on the **power supply PCB**.

Rev. **0B**



2. Design-changed parts :

If the parts are changed, any one of the following symbols is indicated in the REMARKS column.

CNG(cng) : The part is changed to a new part.

ADD(add) : The part is newly added.

DEL(del) : The part is deleted.

Symbol in capital letters indicates that the change is the latest one in the page.

3. The original of this list was made based on the information available in July, 2003.

4. Parts are subject to change in design without prior notice.

CONTENTS

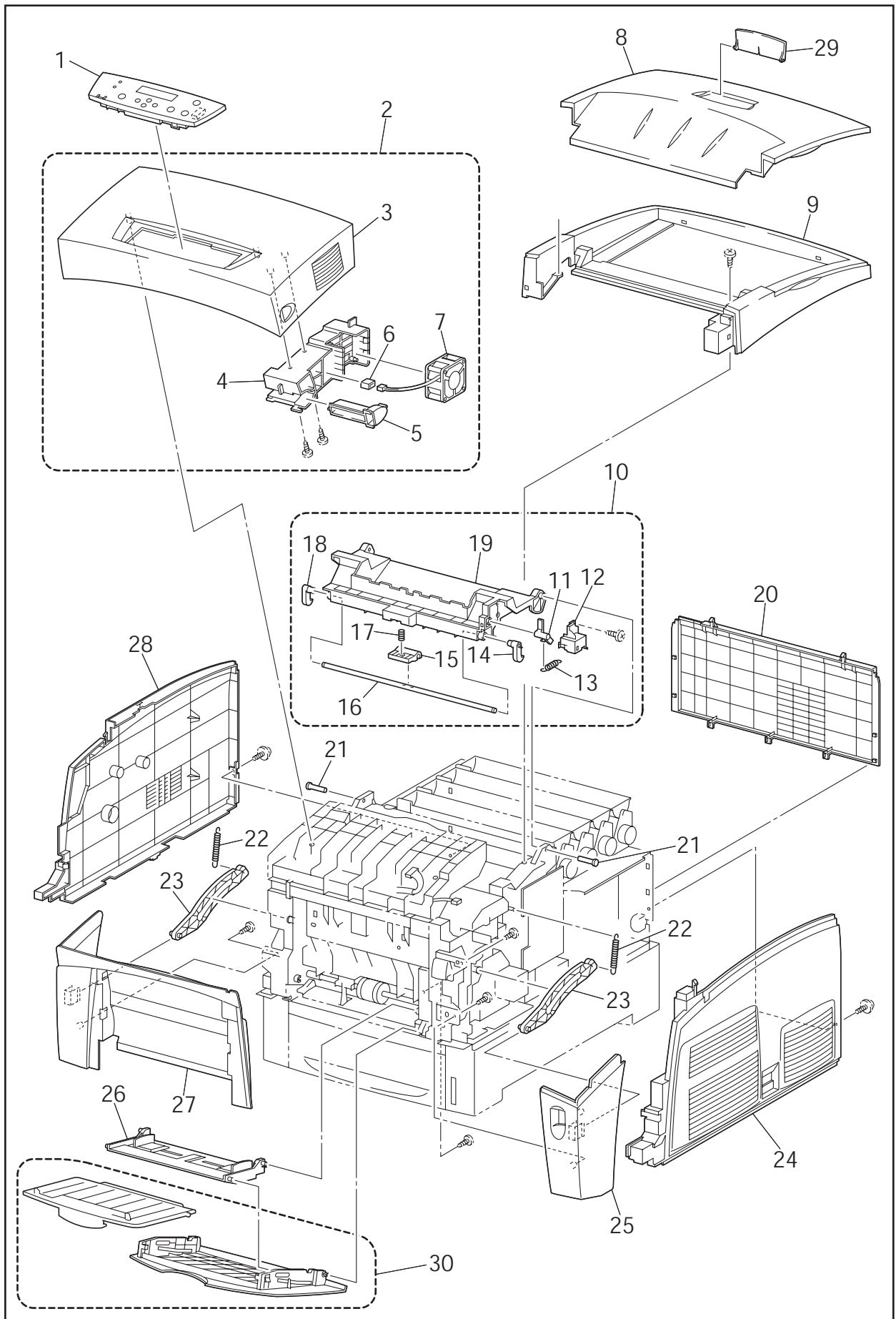
1. COVER	1
2. FRAME	3
3. PAPER FEEDER 1	5
4. PAPER FEEDER 2	7
5. PAPER FEEDER 3	9
6. HOUSING ASSY RETARD	11
7. CHUTE ASSY IN.....	13
8. CHUTE ASSY OUT.....	15
9. CHUTE ASSY EXIT	17
10. TRANSFER ROLL CARTRIDGE ASSY & FUSER	19
11. SCANNER	21
12. TONER CARTRIDGE ASSY	23
13. FRAME & DRIVE	25
14. ELECTRICAL.....	27
15. HARNESS.....	29
16. KIT	31
17. PACKING.....	33
18. ACCESSORIES	35
19. AC CORDS	37

1. COVER

REF.NO	CODE	Q'TY	DESCRIPTION	REMARK
1	LM0408001	1	CONSOLE PANEL HL-4200	
2	LM0409001	1	COVER ASSY FRONT HEAD	
3	LM0133001	1	COVER FRONT HEAD	
4	LM0410001	1	HOLDER LEVER OUT	
5	LM0135001	1	LEVER OUT	
6	LM0136001	1	CON.AMP 175694-3	
7	LM0892001	1	FAN FUSER	CHG
8	LM0411001	1	COVER TOP	
9	LM0412001	1	COVER TOP MAIN	
10	LM0413001	1	PAPER OUTLET COVER	
11	LM0139001	1	CAM I/L	
12	LM0140001	1	COVER CAM	
13	LM0141001	1	SPRING CAM I/L	
14	LM0142001	1	LATCH TOP R	
15	LM0143001	1	HANDLE TOP	
16	LM0144001	1	SHAFT LATCH TOP	
17	LM0145001	1	SPRING HANDLE	
18	LM0414001	1	LATCH TOP L	
19	LM0147001	1	COVER TOP PRINT HEAD CARTRIDGE	
20	LM0148001	1	COVER REAR	
21	LM0149001	2	STUD TOP	
22	LJ3990001	2	SPRING LINK	
23	LM0150001	2	LINK	
24	LM0415001	1	COVER SIDE R	
25	LJ3992001	1	COVER ASSY FRONT IN	
26	LM0153001	1	TRAY ASSY BASE	
27	LJ3993001	1	COVER ASSY FRONT	
28	LJ3994001	1	COVER SIDE L	
29	LJ3995001	1	COVER TOP STOPPER	
30	LJ3996001	1	TRAY ASSY LOW	

MODEL HL-4200CN 54S602

1. COVER



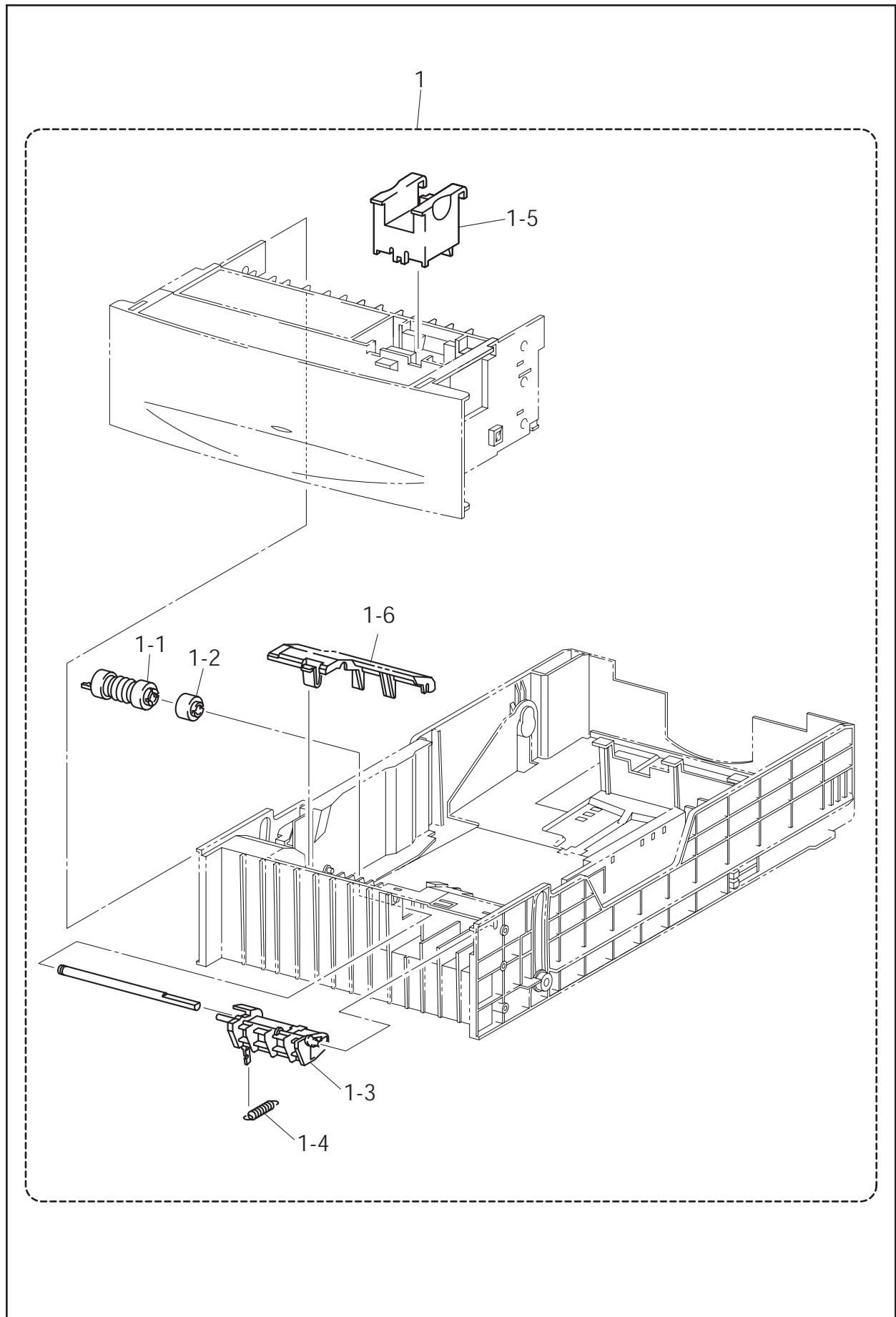
MODEL HL-4200CN 54S602

2. PAPER CASSETTE

REF.NO	CODE	Q'TY	DESCRIPTION	REMARK
1	LJ3997001	1	CASSETTE ASSY	
1-1	LJ3998001	1	ROLL ASSY RETARD	
1-2	LM0154001	1	CLUTCH ASSY FRICTION	
1-3	LM0155001	1	HOLDER RETARD	
1-4	LM0416001	1	SPRING RETARD	
1-5	LM0157001	1	A5 BLOCK	
1-6	LM0132001	1	CHUTE RETARD	

MODEL HL-4200CN 54S602

2. PAPER CASSETTE



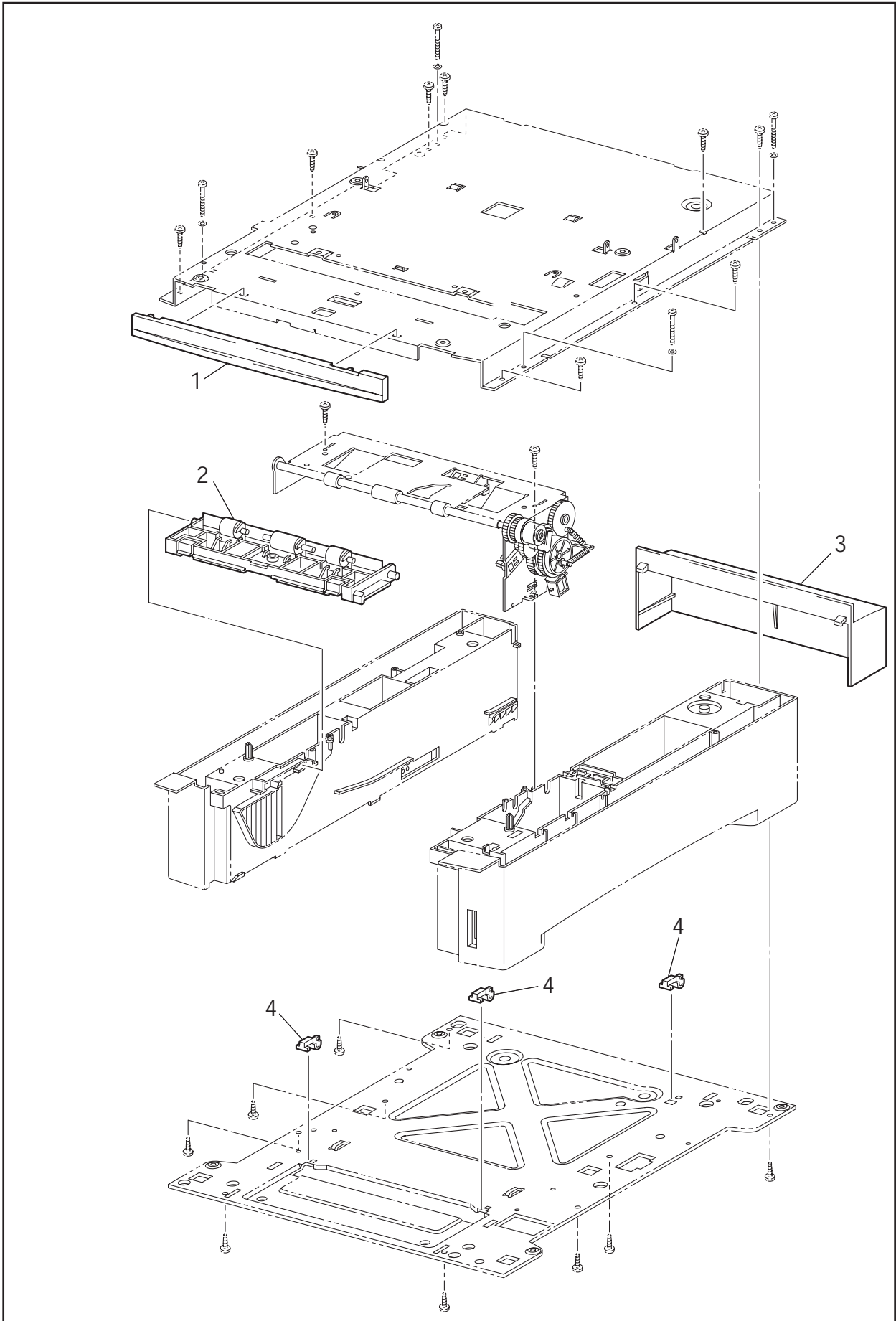
MODEL HL-4200CN 54S602

3. PAPER FEEDER 1

REF.NO	CODE	Q'TY	DESCRIPTION	REMARK
1	LJ3999001	1	COVER FDR FRONT	
2	LM0001001	1	CHUTE ASSY TURN	
3	LM0417001	1	COVER CASSETTE SLIDE	
4	LM0158001	3	BLOCK	

MODEL HL-4200CN 54S602

3. PAPER FEEDER 1



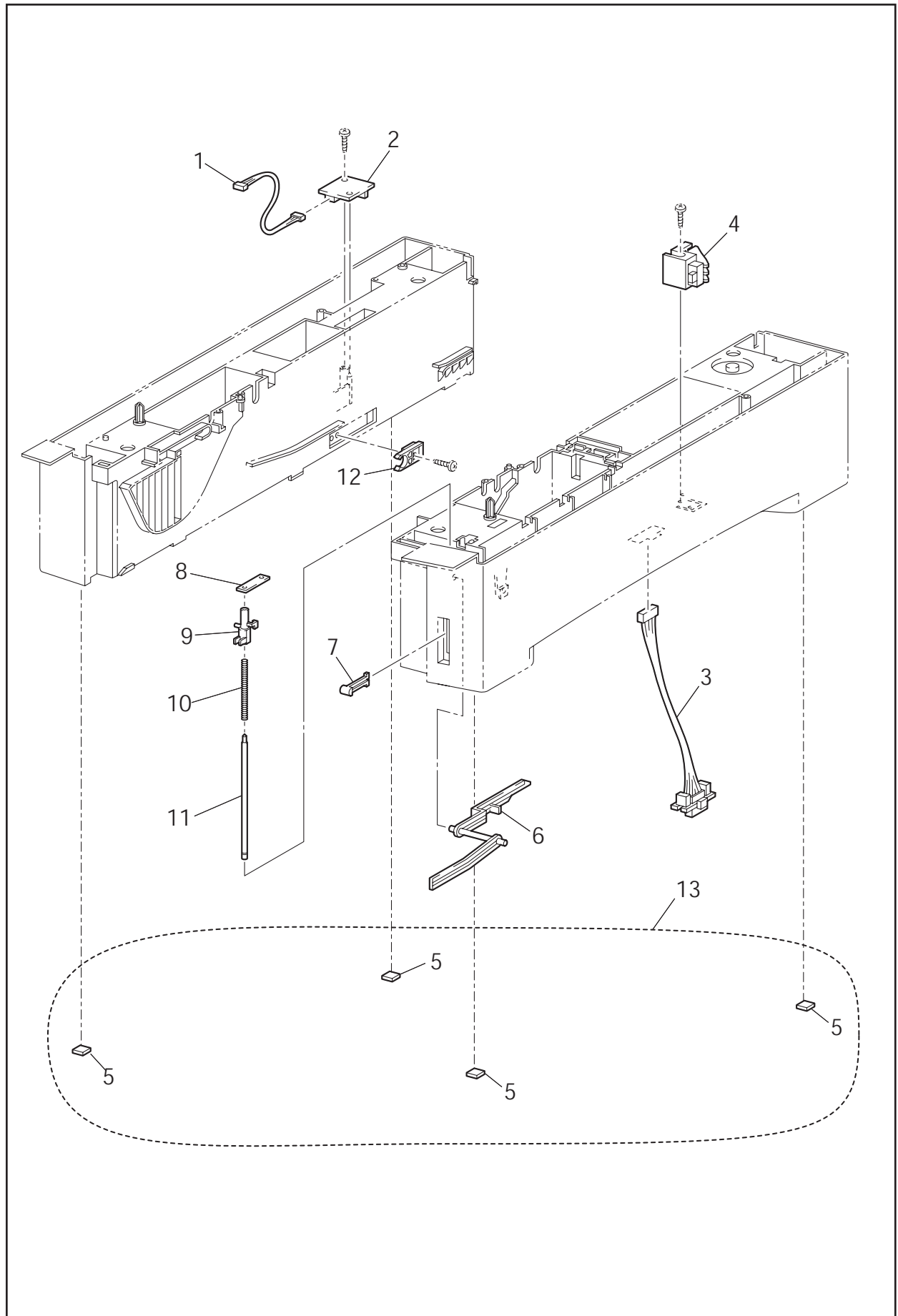
MODEL HL-4200CN 54S602

4. PAPER FEEDER 2

REF.NO	CODE	Q'TY	DESCRIPTION	REMARK
1	LM0159001	1	HARNES ASSY TMPA	
2	LM0003001	1	SENSOR HUM TEMP	
3	LM0160001	1	HARNES ASSY OPFREC	
4	LM0078001	1	SWITCH ASSY SIZE	
5	LM0161001	4	FOOT	
6	LM0004001	1	LEVER LOW PAPER	
7	LM0005001	1	INDICATOR	
8	LM0162001	1	HOLDER SHAFT INDICATOR	
9	LM0006001	1	GUIDE INDICATOR	
10	LM0163001	1	SPRING INDICATOR	
11	LM0164001	1	SHAFT INDICATOR	
12	LM0007001	1	STOPPER CST	
13	LM0418001	1	KIT FOOT PAD IOT	

MODEL HL-4200CN 54S602

4. PAPER FEEDER 2



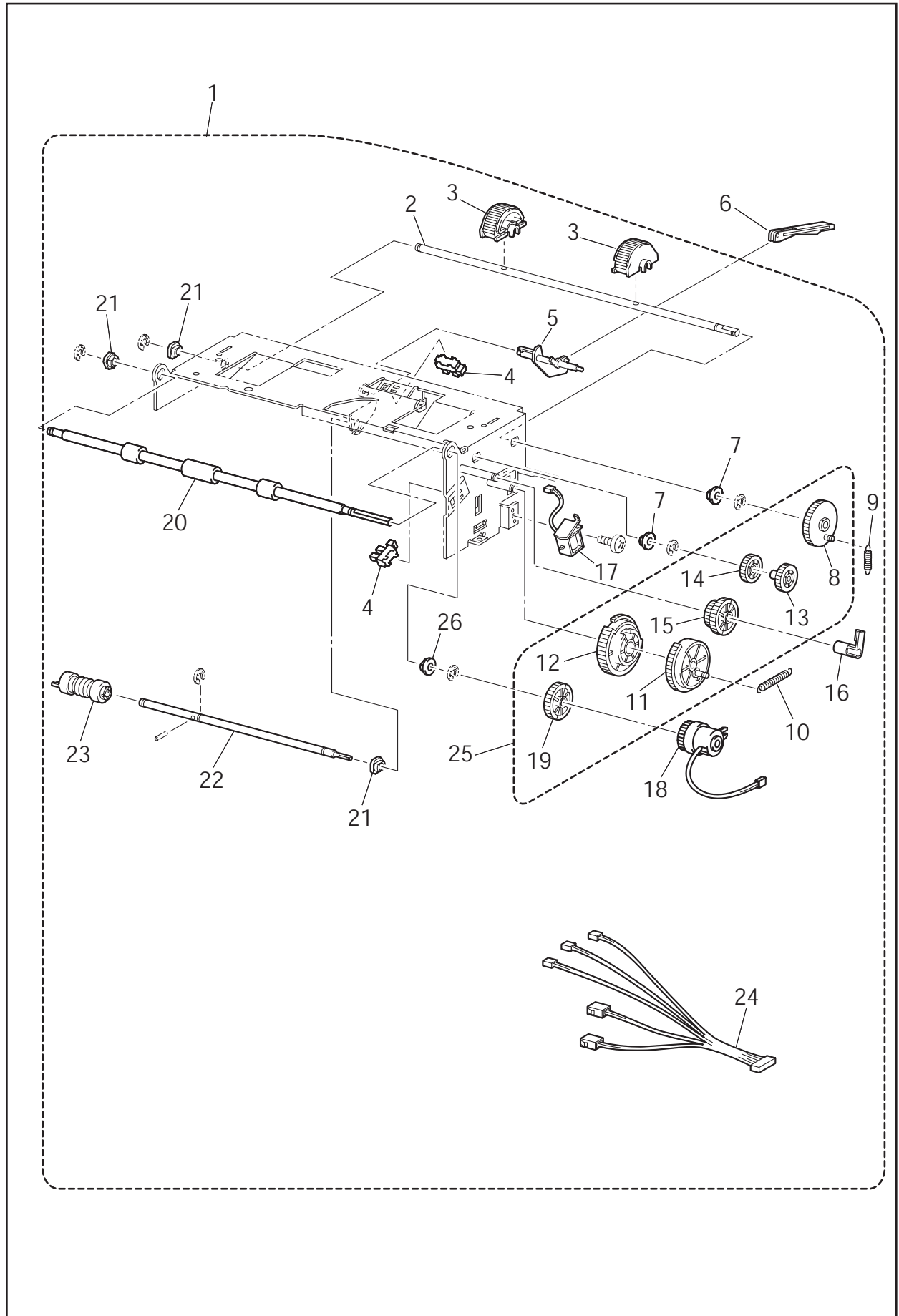
MODEL HL-4200CN 54S602

5.PAPER FEEDER 3

REF.NO	CODE	Q'TY	DESCRIPTION	REMARK
1	LM0008001	1	PICKUP ASSY	
2	LM0126001	1	SHAFT FEED 1	
3	LM0009001	2	ROLL ASSY FEED	
4	LM0010001	2	SENSOR PHOTO	
5	LM0011001	1	ACTUATOR NO PAPER	
6	LM0012001	1	LINK ACTUATOR	
7	LM0165001	2	BUSH(D6XL8)/METAL	
8	LM0166001	1	GEAR FEED 1	
9	LM0167001	1	SPRING FEED 1	
10	LM0168001	1	SPRING FEED H	
11	LM0169001	1	GEAR FEED H2	
12	LM0170001	1	GEAR FEED H1	
13	LM0171001	1	GEAR FEED 2	
14	LM0172001	1	GEAR IDLER FEED	
15	LM0173001	1	GEAR IDLER	
16	LM0174001	1	STOPPER CLUTCH	
17	LM0013001	1	SOLENOID FEED	
18	LM0014001	1	CLUTCH ASSY TURN	
19	LM0175001	1	GEAR IDLER IN	
20	LM0176001	1	ROLL ASSY TURN	
21	LM0177001	3	BUSH(D6XL8)/BLACK	
22	LM0178001	1	SHAFT FEED 2	
23	LJ3998001	1	ROLL ASSY	
24	LM0179001	1	HARNES ASSY FEEDER	
25	LM0016001	1	KIT GEAR FDR	
26	LM0165001	1	TURN ROLL BEARING METAL	ADD

MODEL HL-4200CN 54S602

5. PAPER FEEDER 3



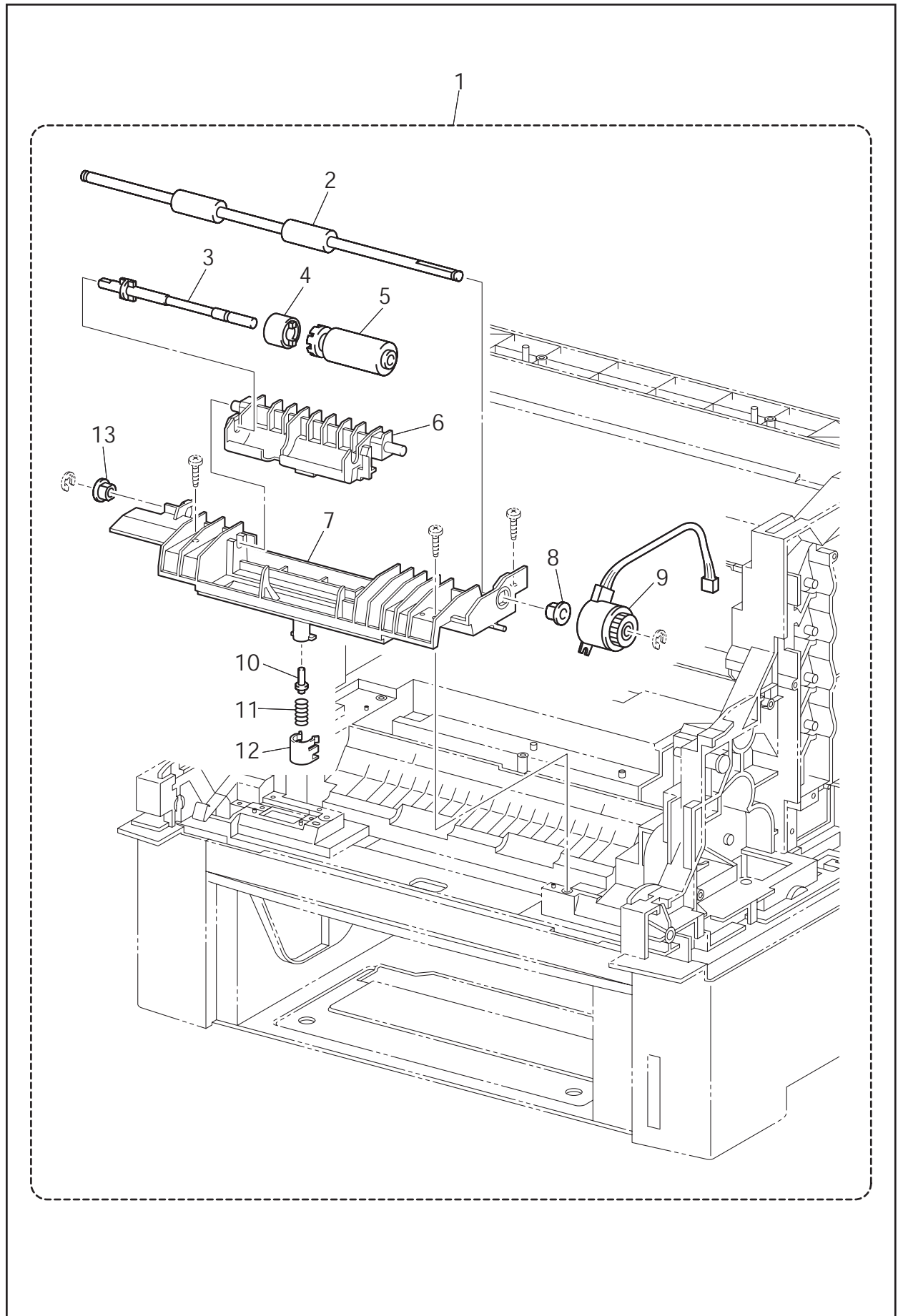
MODEL HL-4200CN 54S602

6. HOUSING ASSY RETARD

REF.NO	CODE	Q'TY	DESCRIPTION	SYMBOL	REMARK
1	LM0419001	1	HOUSING ASSY RETARD		
2	LM0180001	1	ROLL TURN		
3	LM0181001	1	SHAFT RTD		
4	LM0182001	1	CLUTCH ASSY FRICTION		
5	LM0018001	1	ROLL ASSY RETARD MSI		
6	LM0183001	1	HOLDER RATARD		
7	LM0184001	1	HOUSING RETARD		
8	LM0185001	1	BUSH		
9	LM0420001	1	CLUTCH TURN		
10	LM0187001	1	STUD RETURN		
11	LM0188001	1	SPRING RETARD 370		
12	LM0189001	1	CAP RETARD		
13	LM0190001	1	BUSH EARTH		

MODEL HL-4200CN 54S602

6. HOUSING ASSY RETARD



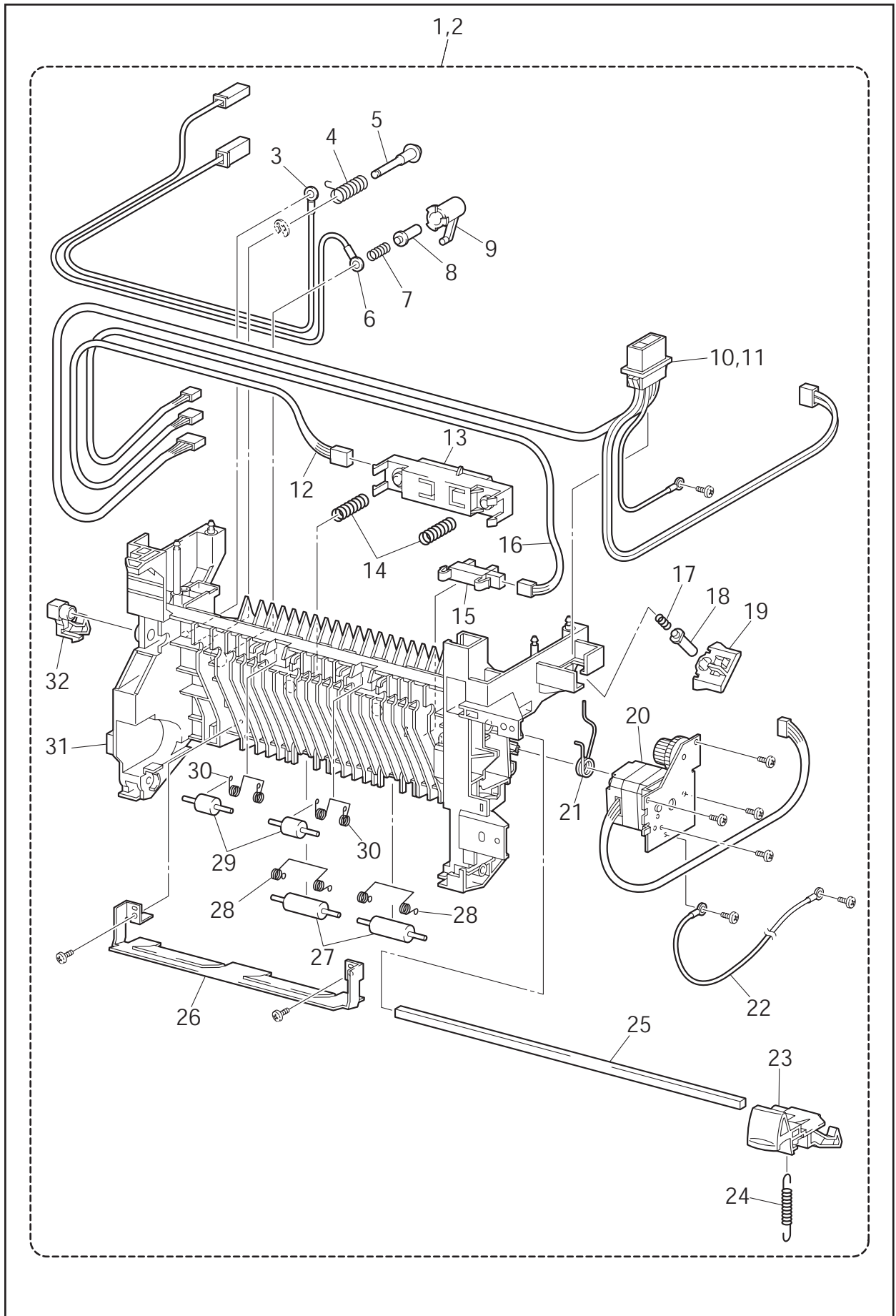
MODEL HL-4200CN 54S602

7. CHUTE ASSY IN

REF.NO	CODE	Q'TY	DESCRIPTION	REMARK
1	LM0421001	1	CHUTE ASSY IN BR 120V	
2	LM0422001	1	CHUTE ASSY IN BR 220V	
3	LM0191001	1	WIRE ASSY TRANSFER ROLL CARTRIDGE 2	
4	LM0192001	1	SPRING TRANSFER ROLL CARTRIDGE R2	
5	LM0193001	1	SHAFT TRANSFER ROLL CARTRIDGE IN	
6	LM0194001	1	WIRE ASSY DISK	
7	LM0195001	1	SPRING DTC 0.2	
8	LM0196001	1	STUD TRANSFER ROLL CARTRIDGE	
9	LM0197001	1	HOLDER SPRING TRANSFER ROLL CARTRIDGE	
10	LM0423001	1	HARNESS ASSY FSR3C 120V	
11	LM0424001	1	HARNESS ASSY FSR32C 220V	
12	LM0200001	1	HARNESS ASSY CTD	
13	LM0021001	1	HOLDER ASSY CTD	
14	LM0201001	2	SPRING CTD	
15	LM0022001	1	SENSOR TNR FULL	
16	LM0202001	1	HARNESS ASSY TFLSNS	
17	LM0203001	1	SPRING IDT 3KGF	
18	LM0204001	1	STUD IDT	
19	LM0205001	1	HOLDER IDT	
20	LM0425001	1	FUSER DRIVE ASSY	
21	LM0206001	1	SPRING TRANSFER ROLL CARTRIDGE L 1.5	
22	LM0207001	1	WIRE ASSY FSR EARTH	
23	LM0024001	1	LATCH R	
24	LM0208001	1	SPRING LATCH 1.2KGF	
25	LM0209001	1	SHAFT LATCH	
26	LM0210001	1	PLATE IN T/R	
27	LM0211001	2	ROLL PINCH TURN	
28	LM0212001	2	SPRING PINCH TURN 375	
29	LM0213001	2	ROLL PINCH DUP	
30	LM0214001	2	SPRING PINCH DUP	
31	LM0215001	1	CHUTE DUP IN	
32	LM0025001	1	LATCH L	

MODEL HL-4200CN 54S602

7. CHUTE ASSY IN



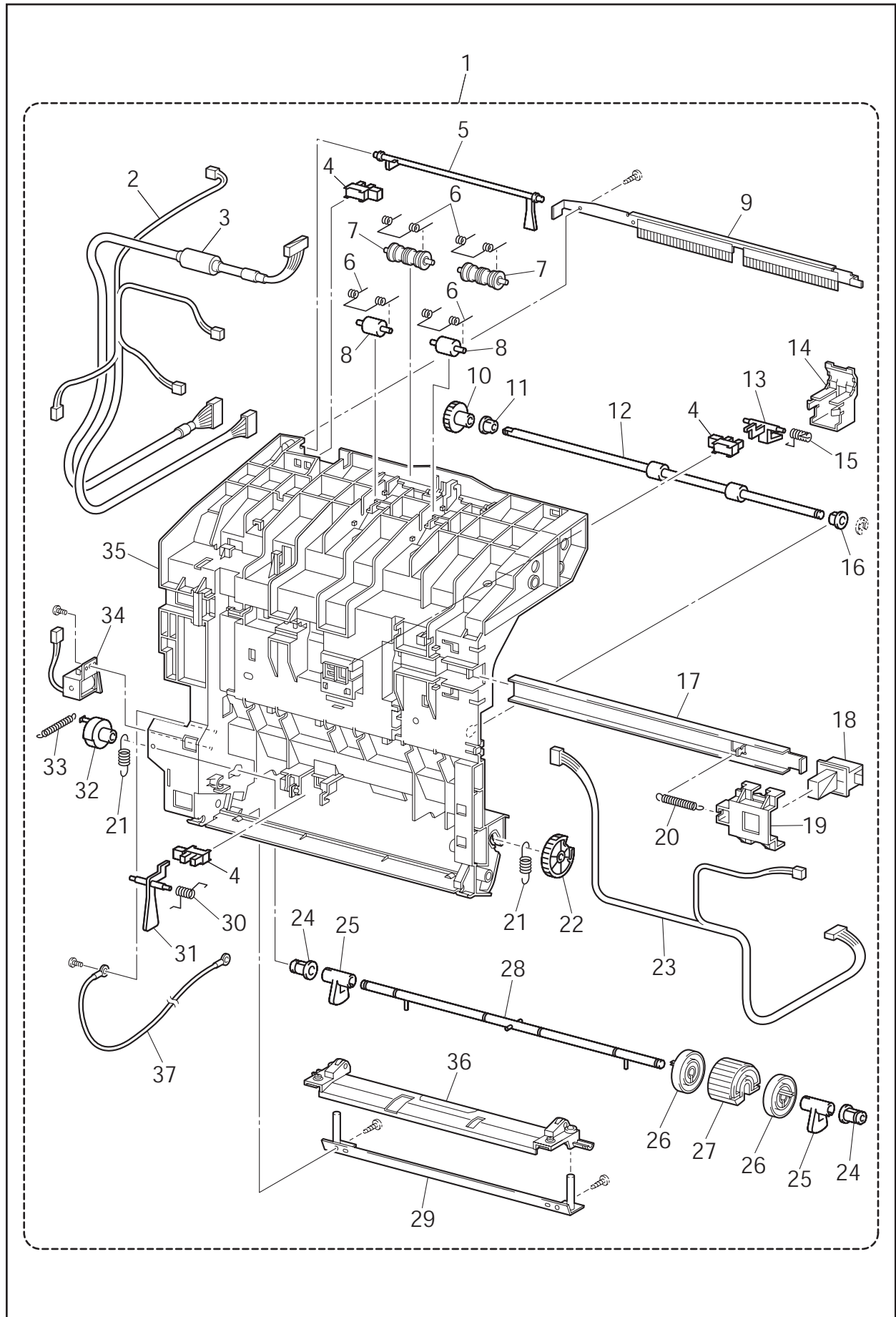
MODEL HL-4200CN 54S602

8. CHUTE ASSY OUT

REF.NO	CODE	Q'TY	DESCRIPTION	SYMBOL	REMARK
1	LM0426001	1	CHUTE ASSY OUT		
2	LM0216001	1	HARNESS ASSY FRONT 2		
3	LM0217001	1	HARNESS ASSY OPEPANE BS		
4	LM0027001	1	SENSOR PHOTO		
5	LM0028001	1	ACTUATOR FULL		
6	LM0427001	4	SPRING PINCH EXIT		
7	LM0219001	2	ROLL PINCH EXIT		
8	LM0220001	2	ROLL PINCH		
9	LM0428001	1	BRACKET ASSY ELIMINATOR		
10	LM0222001	1	GEAR 30		
11	LM0190001	1	BUSH EARTH		
12	LM0223001	1	ROLL DUP		
13	LM0029001	1	ACTUATOR DUP		
14	LM0030001	1	COVER ACTUATOR		
15	LM0224001	1	SPRING SNR DUP		
16	LM0225001	1	BUSH		
17	LM0226001	1	PLATE LATCH		
18	LM0227001	1	LACHT OUT		
19	LM0228001	1	HOLDER LATCH		
20	LM0229001	1	SPRING LATCH OUT		
21	LM0230001	2	SPRING N/F		
22	LM0031001	1	GEAR MSI		
23	LM0429001	1	HARNESS ASSY DUP		
24	LM0430001	2	BUSH MSI		
25	LM0233001	2	CAM MSI		
26	LM0032001	2	ROLL CORE MSI		
27	LM0234001	1	ROLL ASSY FEED MSI		
28	LM0235001	1	SHAFT MSI		
29	LM0236001	1	PLATE OUT MSI		
30	LM0033001	1	SPRING SENSOR MSI		
31	LM0034001	1	ACTUATOR MSI		
32	LM0237001	1	STOPPER SOL		
33	LM0238001	1	SPRING SOL		
34	LM0035001	1	SOLENOID FEED MSI		
35	LM0239001	1	CHUTE DUP OUT		
36	LM0240001	1	PLATE ASSY BOTTOM MSI		
37	LM0241001	1	WIRE ASSY DUP EARTH		

MODEL HL-4200CN 54S602

8. CHUTE ASSY OUT



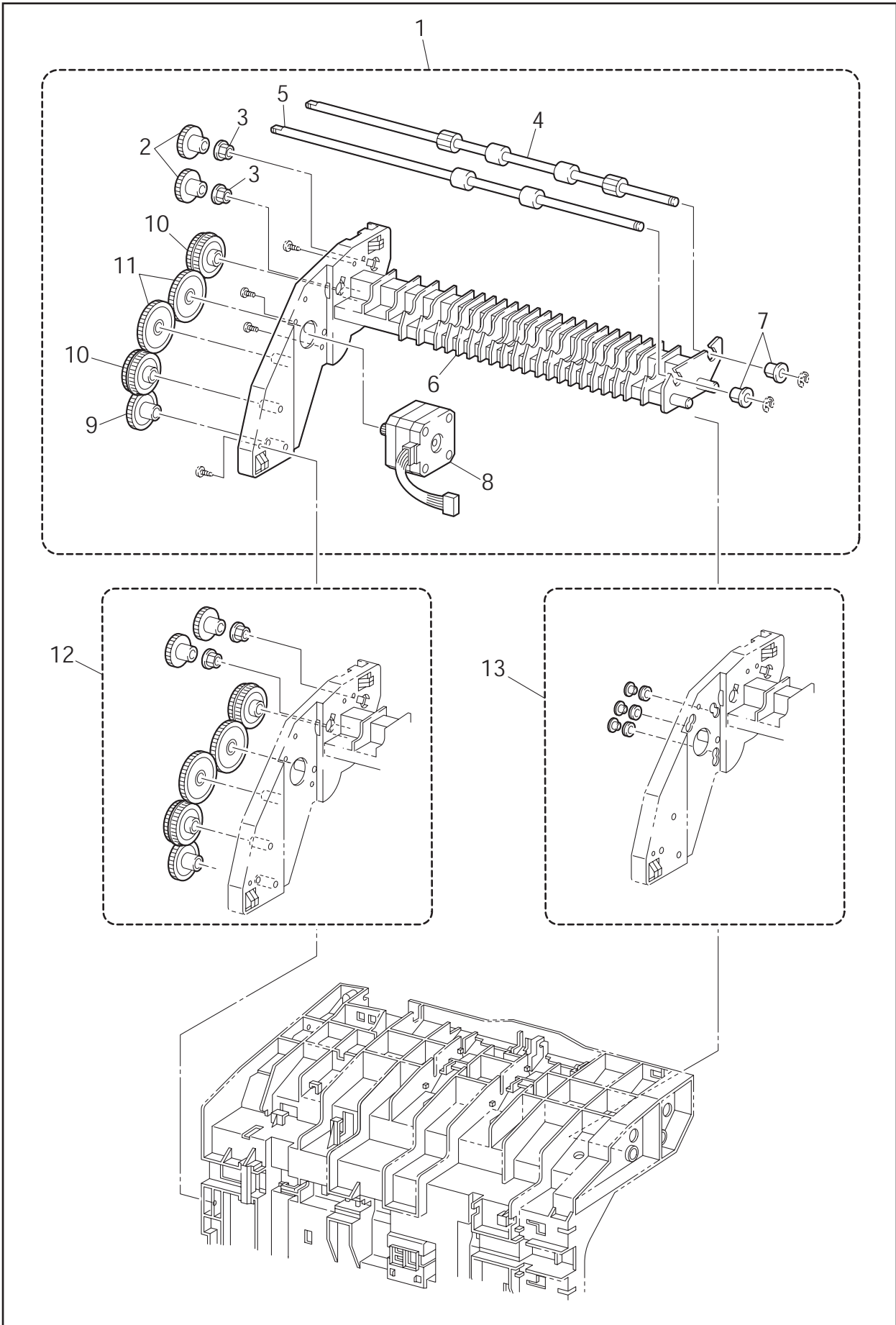
MODEL HL-4200CN 54S602

9. CHUTE ASSY EXIT

REF.NO	CODE	Q'TY	DESCRIPTION	SYMBOL	REMARK
1	LM0431001	1	CHUTE ASSY EXIT		
2	LM0242001	2	GEAR ROLL		
3	LM0190001	2	BUSH EARTH		
4	LM0243001	1	ROLL EXIT		
5	LM0244001	1	ROLL MID		
6	LM0432001	1	CHUTE EXIT LOWER		
7	LM0185001	2	BUSH		
8	LM0433001	1	MOTOR ASSY DUP		
9	LM0246001	1	GEAR 42		
10	LM0434001	2	GEAR 40/42		
11	LM0435001	2	GEAR 48		
12	LM0344001	1	CHUTE EXIT GEAR KIT		
13	LM0436001	1	KIT BUSH		

MODEL HL-4200CN 54S602

9. CHUTE ASSY EXIT



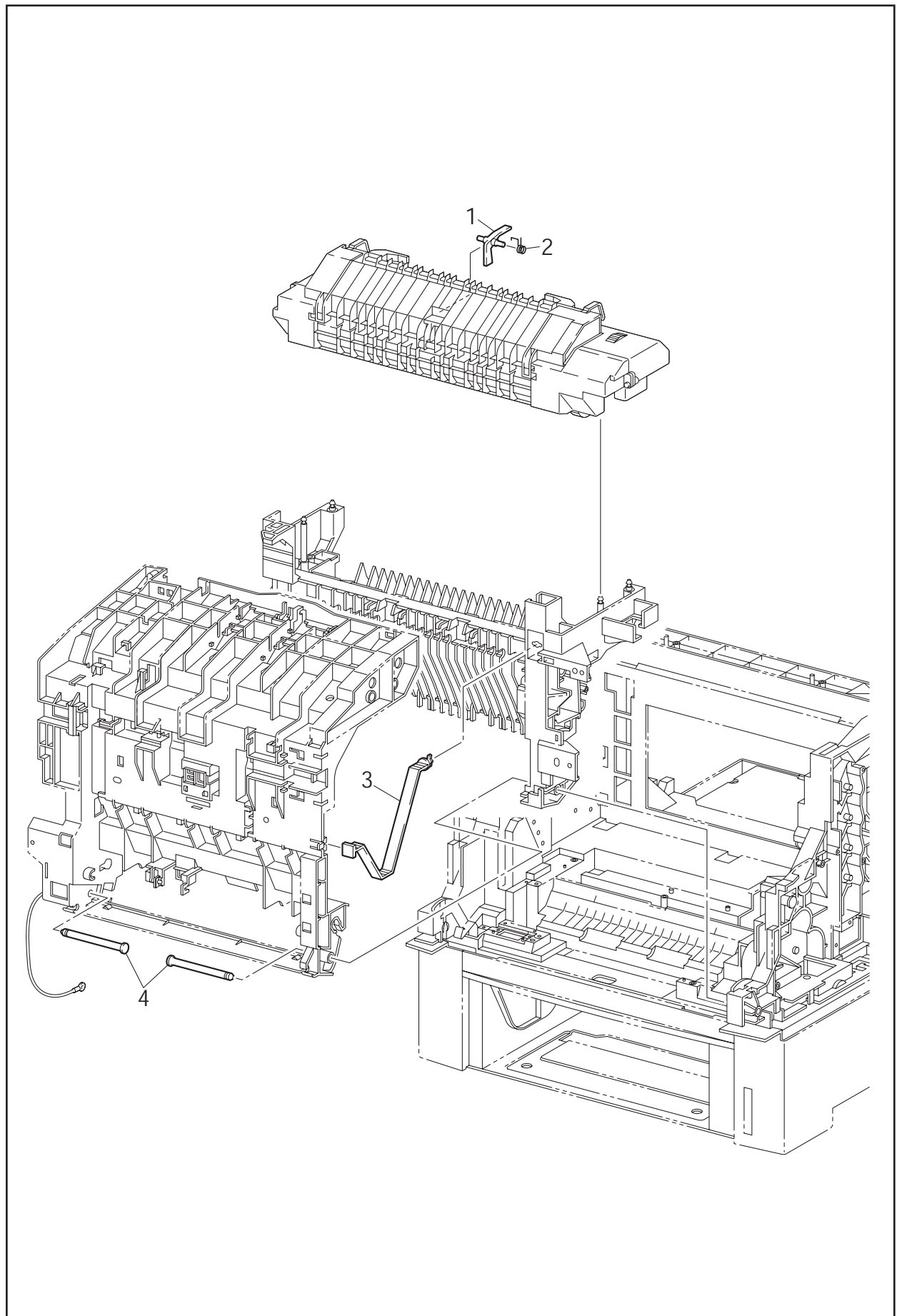
MODEL HL-4200CN 54S602

10. TRANSFER ROLL CARTRIDGE ASSY & FUSER

REF.NO	CODE	Q'TY	DESCRIPTION	SYMBOL	REMARK
1	LM0041001	1	ACTUATOR EXIT		
2	LM0042001	1	SPRING ACTUATOR		
3	LM0249001	1	STRAP		
4	LM0251001	2	SHAFT PIVOT		

MODEL HL-4200CN 54S602

10. TRANSFER ROLL CARTRIDGE ASSY & FUSER



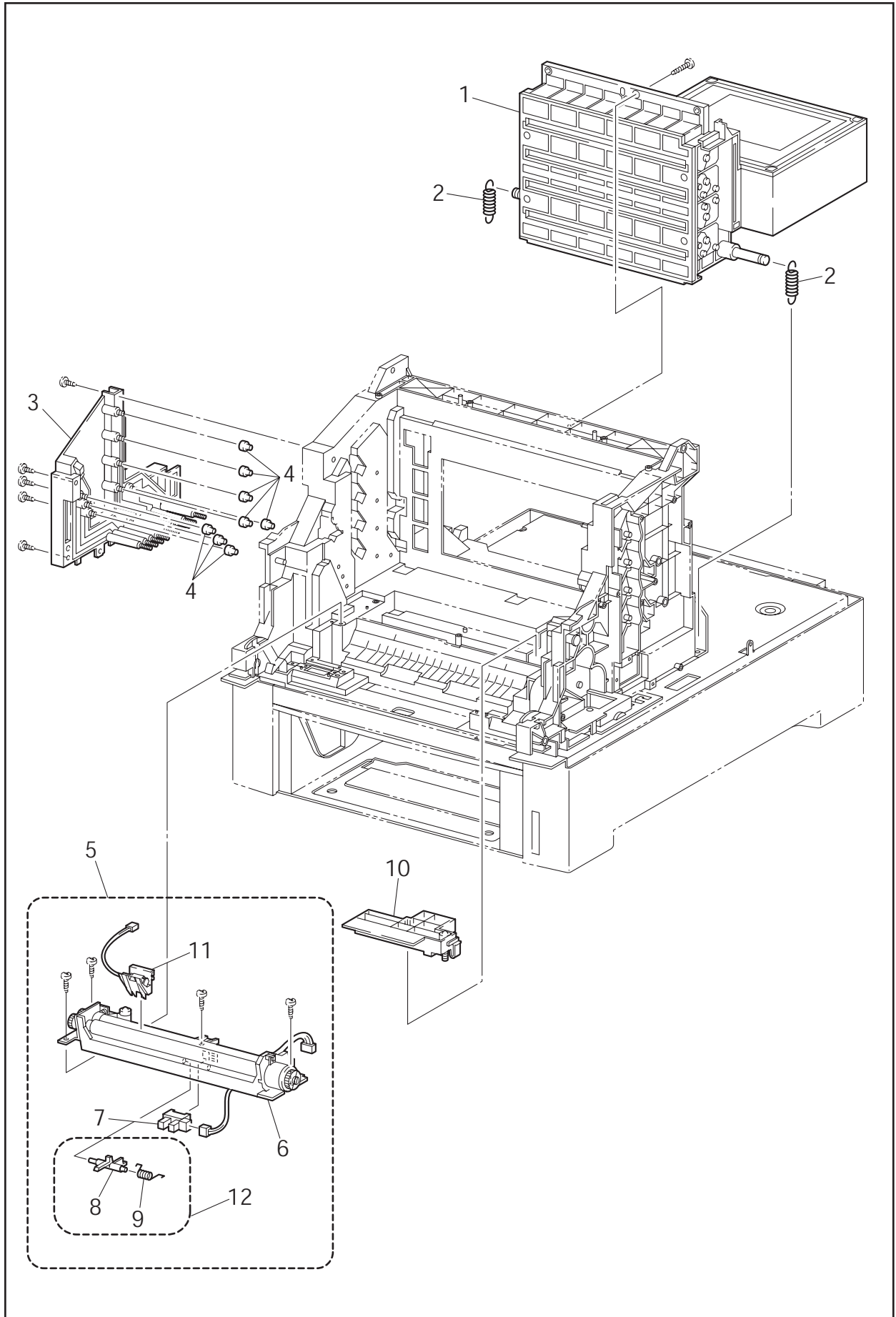
MODEL HL-4200CN 54S602

11. ENGINE

REF.NO	CODE	Q'TY	DESCRIPTION	SYMBOL	REMARK
1	LM0439001	1	SCANNER ASSY		
2	LM0256001	2	SPRING SCANNER (18N)		
3	LM0044001	1	HSG ASSY BIAS		
4	LM0257001	8	STUD PLUNGER		
5	LM0440001	1	CHUTE ASSY REGI SNR OHP		
6	LM0258001	1	CHUTE REGI ASSY		
7	LM0027001	1	SENSOR PHOTO		
8	LM0259001	1	ACTUATOR REGI		
9	LM0260001	1	SPRING SENSOR REGI		
10	LM0261001	1	HOUSING ASSY ELEC		
11	LM0262001	1	KIT OHP SENSOR WITH HARNESS		
12	LM0297001	1	KIT ACTUATOR AND SPRING		

MODEL HL-4200CN 54S602

11. ENGINE



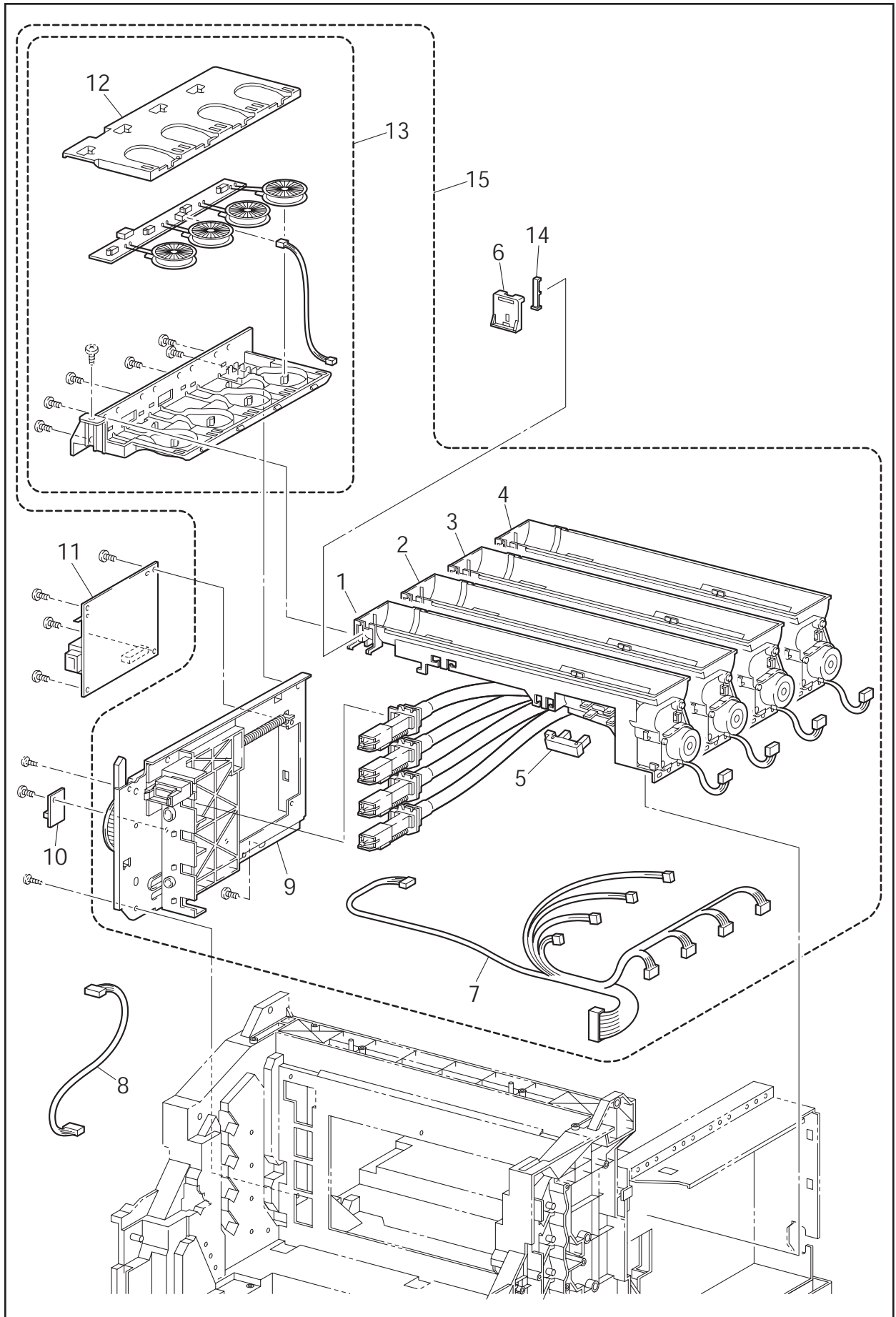
MODEL HL-4200CN 54S602

12. TONER CARTRIDGE ASSY

REF.NO	CODE	Q'TY	DESCRIPTION	SYMBOL	REMARK
1	LM0441001	1	HOLDER TONER CARTRIDGE ASSY Y		
2	LM0442001	1	HOLDER TONER CARTRIDGE ASSY M		
3	LM0443001	1	HOLDER TONER CARTRIDGE ASSY C		
4	LM0444001	1	HOLDER TONER CARTRIDGE ASSY K		
5	LM0445001	1	SENSOR NO TONER		
6	LM0446001	1	BRACKET SENSOR 2		
7	LM0447001	1	HARNESS ASSY TNR4		
8	LM0264001	1	HARNESS ASSY CRUM		
9	LM0448001	1	PLATE ASSY DISPENSER HBN		
10	LM0265001	1	PWBA EEPROM		
11	LM0052001	1	S-HVPS		
12	LM0449001	1	COVER HOLDER CRUM		
13	LM0450001	1	BOX ASSY CRUM READER		
14	LM0451001	1	ACTUATOR SENSOR 2		
15	LM0452001	1	HOLDER TONER HI ASSY HBN		

MODEL HL-4200CN 54S602

12. TONER CARTRIDGE ASSY



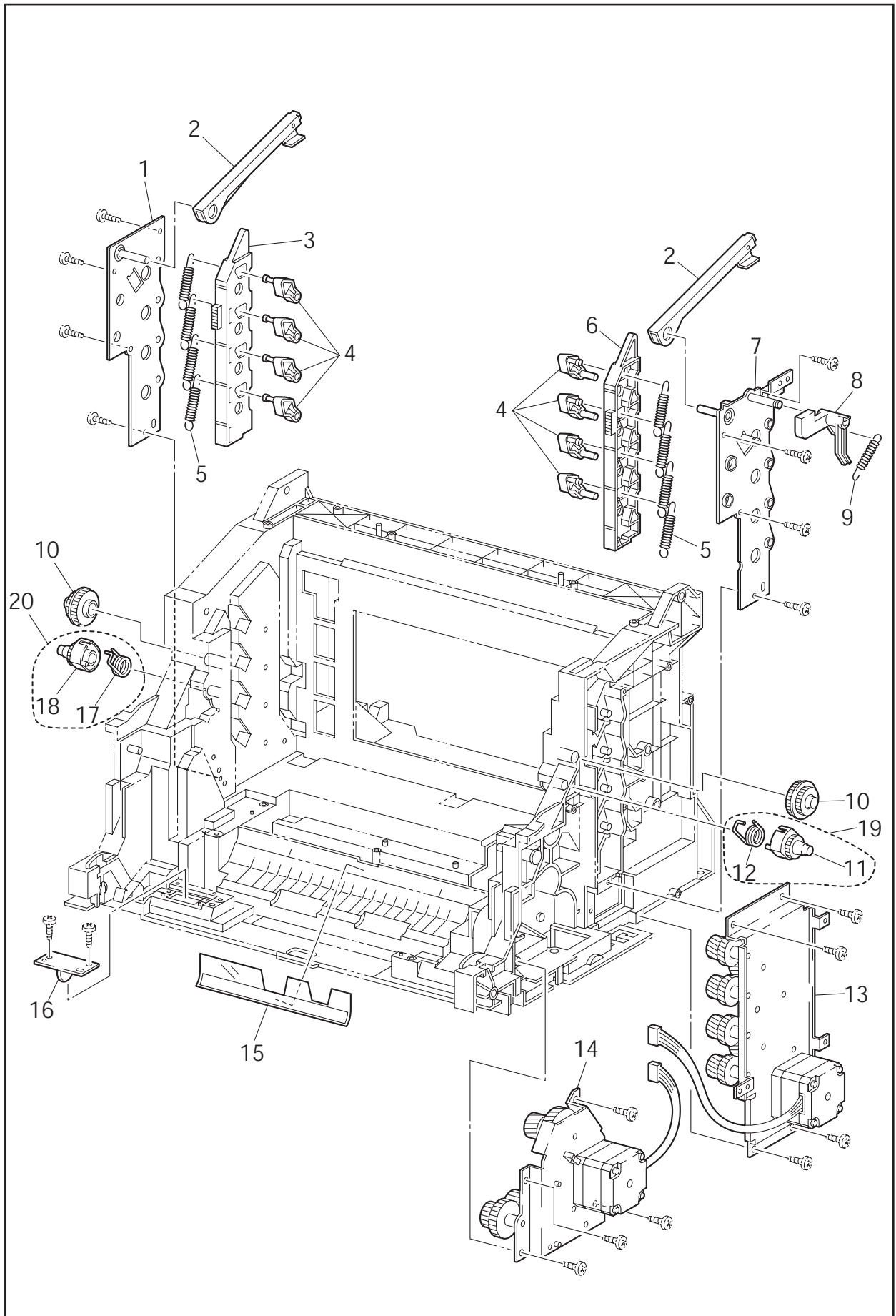
MODEL HL-4200CN 54S602

13. FRAME & DRIVE

REF.NO	CODE	Q'TY	DESCRIPTION	SYMBOL	REMARK
1	LM0266001	1	PLATE LEVER L		
2	LM0054001	2	BRACKET LEVER		
3	LM0055001	1	LINK LEVER L		
4	LM0056001	8	LEVER DRUM		
5	LM0057001	8	SPRING LEVER 30N		
6	LM0267001	1	LINK LEVER R		
7	LM0268001	1	PLATE LEVER R		
8	LM0058001	1	ACTUATOR I/L		
9	LM0269001	1	SPRING I/L		
10	LM0059001	2	GEAR IDL.PRESS		
11	LM0060001	1	GEAR PRESS R		
12	LM0061001	1	SPRING IDT R		
13	LM0453001	1	DRIVE ASSY DEVE		
14	LM0454001	1	DRIVE ASSY MAIN		
15	LM0064001	1	FILM REGI		
16	LM0270001	1	PWBA ASSY EARTH		
17	LM0065001	1	SPRING IDT L		
18	LM0066001	1	GEAR PRESS L		
19	LM0455001	1	GEAR ASSY PRESS R		
20	LM0456001	1	GEAR ASSY PRESS L		

MODEL HL-4200CN 54S602

13. FRAME & DRIVE



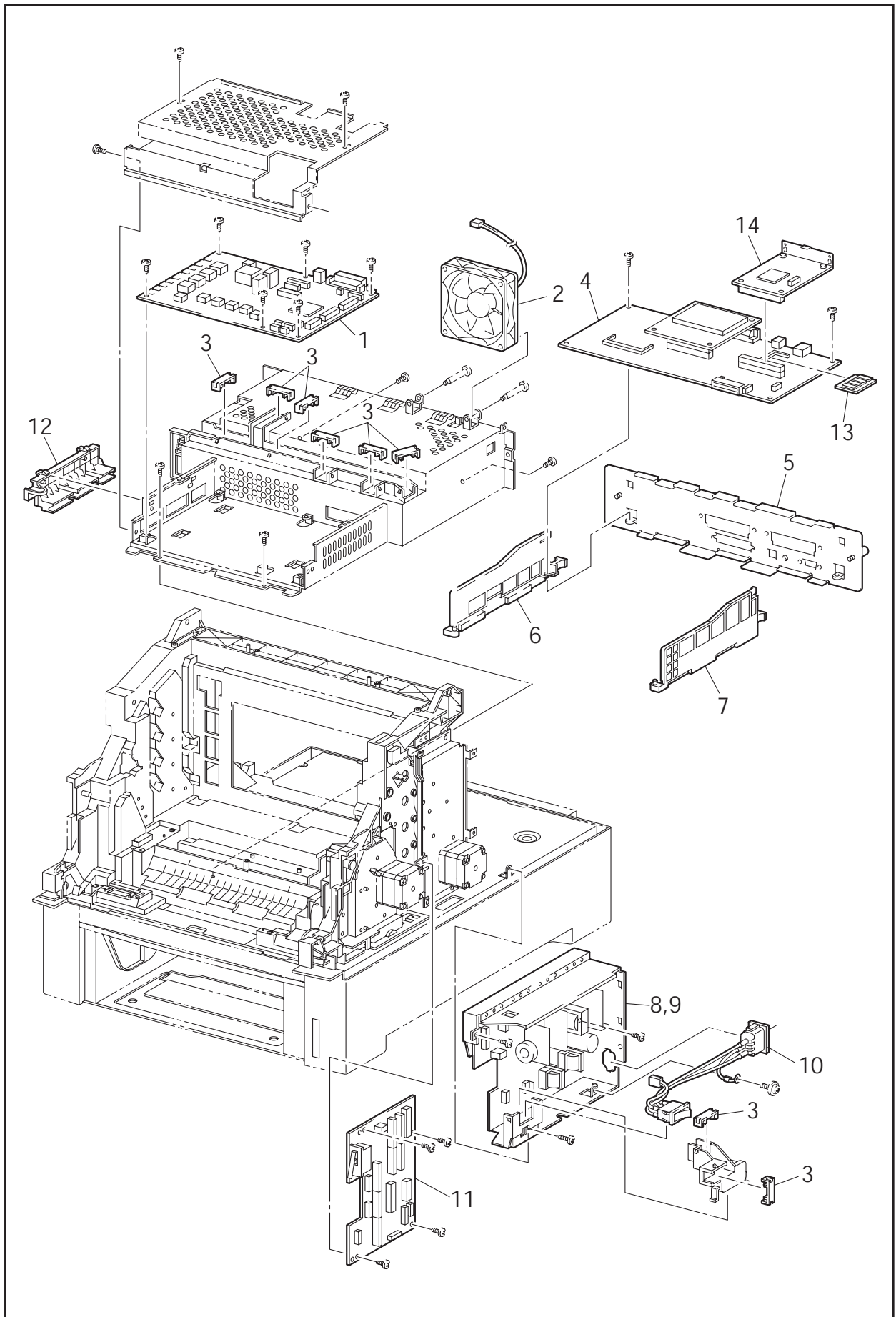
MODEL HL-4200CN 54S602

14. ELECTRICAL

REF.NO	CODE	Q'TY	DESCRIPTION	SYMBOL	REMARK
1	LJ9465001	1	MCU HL-4200		CHG
2	LM0067001	1	FAN REAR		
3	LM0271001	8	CALMP GUIDE HARNESS		
4	LJ9466001	1	CONTROLLER BOARD PS 120V	160K85919	
4	LJ9467001	1	CONTROLLER BOARD PS 230V	160K88097	
5	LM0068001	1	PLATE REAR ESS		
6	LM0273001	1	GUIDE R ESS		
7	LM0274001	1	GUIDE L ESS		
8	LJ9468001	1	LVPS 100/120V		
9	LJ9469001	1	LVPS 230V		
10	LM0275001	1	HARNESS ASSY AC SW		
11	LJ9470001	1	PWBA HBN DRV		
12	LM0277001	1	HOUSING ASSY CONTACT		
13	LM0457001	1	FONT CARD		
14	LM0458001	1	NIC EXCORD ASSY BR		

MODEL HL-4200CN 54S602

14. ELECTRICAL



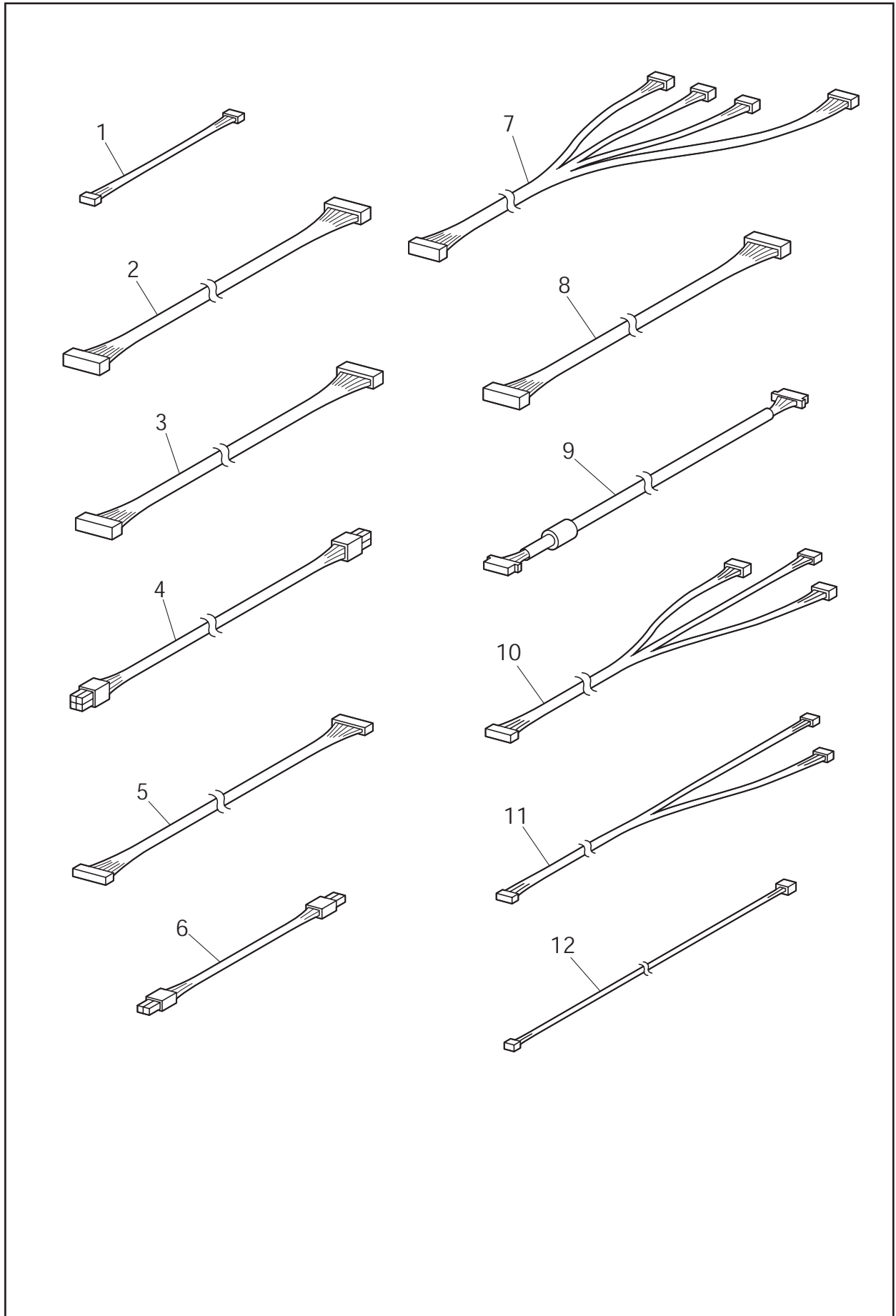
MODEL HL-4200CN 54S602

15. HARNESS

REF.NO	CODE	Q'TY	DESCRIPTION	SYMBOL	REMARK
1	LM0459001	1	HARNESS ASSY LVNC3		
2	LM0280001	1	HARNESS ASSY DRV 1		
3	LM0460001	1	HARNESS ASSY DRV 2-2		
4	LM0282001	1	HARNESS ASSY LVRPG		
5	LM0461001	1	HARNESS ASSY ROSKA2		
6	LM0284001	1	HARNESS ASSY 24V		
7	LM0285001	1	HARNESS ASSY FRONT 1A		
8	LM0286001	1	HARNESS ASSY OPF MAIN		
9	LM0070001	1	HARNESS ASSY OPEPANE AS		
10	LM0287001	1	HARNESS ASSY EEPROM		
11	LM0462001	1	HARNESS ASSY TMPNCS		
12	LM0463001	1	HARNESS ASSY RFID		

MODEL HL-4200CN 54S602

15. HARNESS



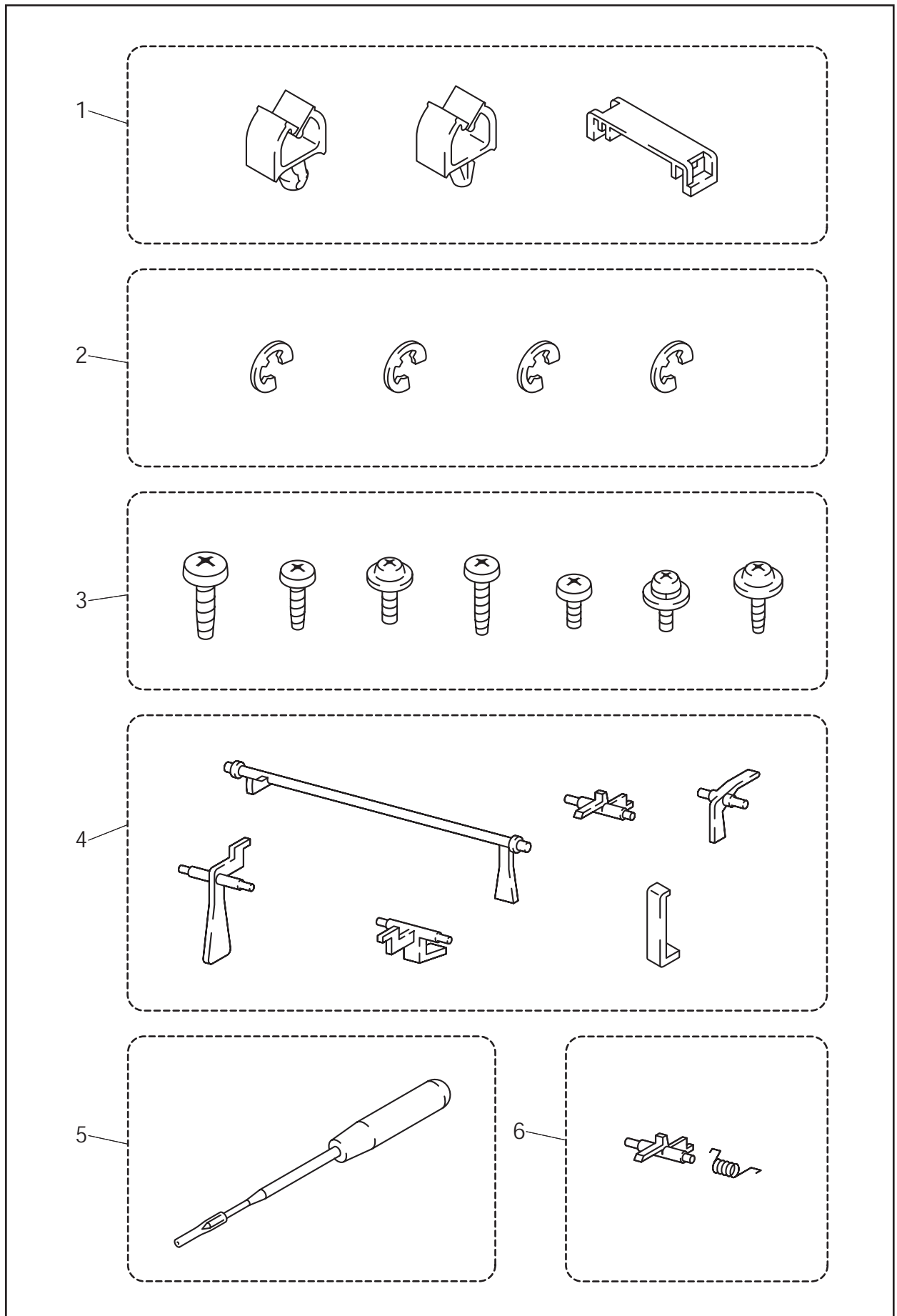
MODEL HL-4200CN 54S602

16. KIT

REF.NO	CODE	Q'TY	DESCRIPTION	SYMBOL	REMARK
1	LM0289001	1	KIT CLAMP		
2	LM0290001	1	KIT E RING		
3	LM0291001	1	HARDWARE KIT		
4	LM0579001	1	HL-4200 ACTUATOR KIT		
5	LM0084001	1	KIT PROBE CHECK		
6	LM0297001	1	KIT ACTUATOR AND SPRING		

MODEL HL-4200CN 54S602

16. KIT



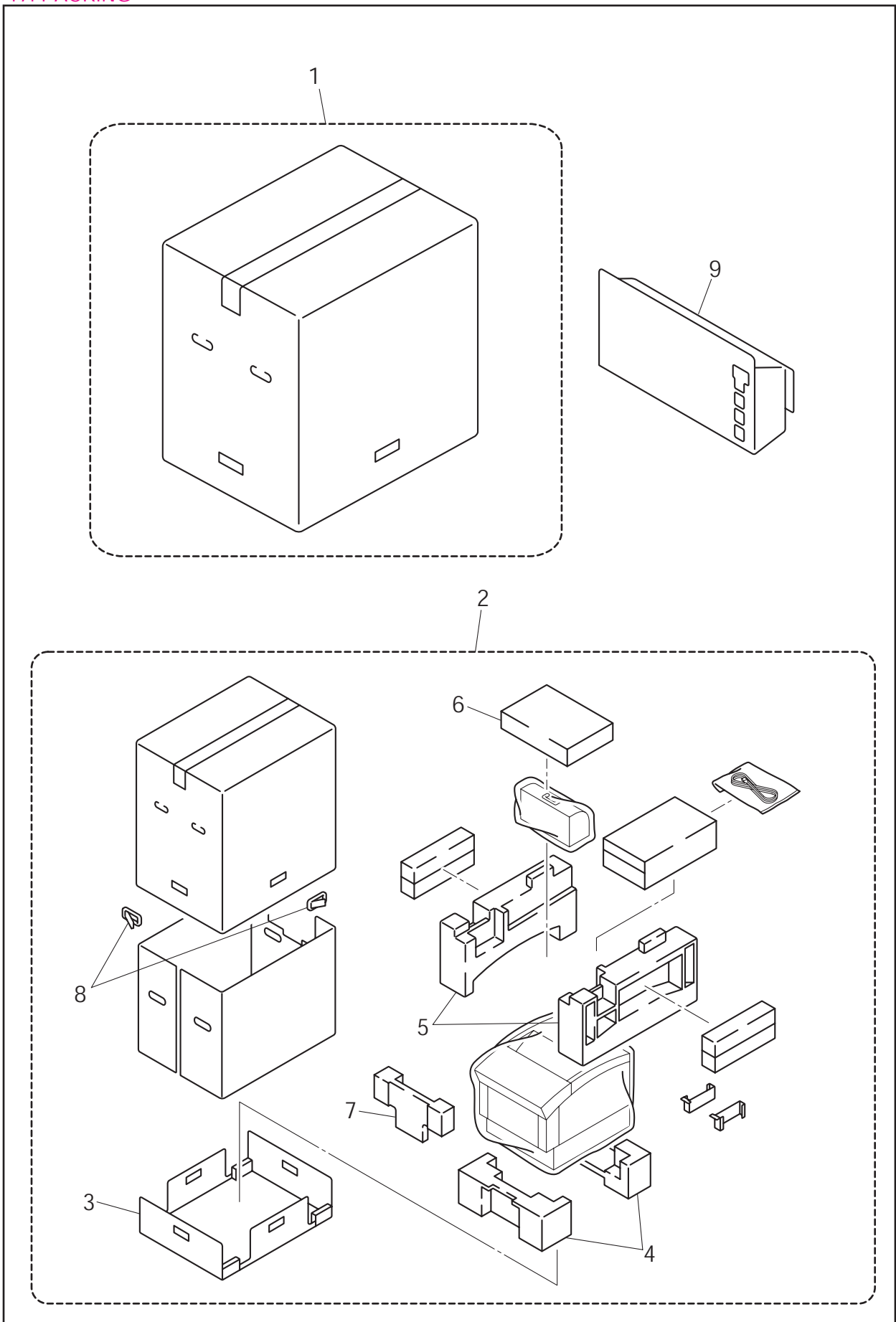
MODEL HL-4200CN 54S602

17. PACKING

REF.NO	CODE	Q'TY	DESCRIPTION	SYMBOL	REMARK
1	LM0464001	1	BOX IOT HBN ER		
2	LM0578001	1	KIT PACKING IOT		
3	LM0348001	1	TRAY BOTTOM		
4	LM0349001	1	PAD BOTTOM ASSY		
5	LM0350001	1	PAD TOP ASSY		
6	LM0351001	1	PAD TOP PHD		
7	LM0352001	1	PAD FRONT		
8	LM0353001	1	JOINT		
9	LM0934001	1	KIT RETURN BOX 1PCS		CHN

MODEL HL-4200CN 54S602

17. PACKING



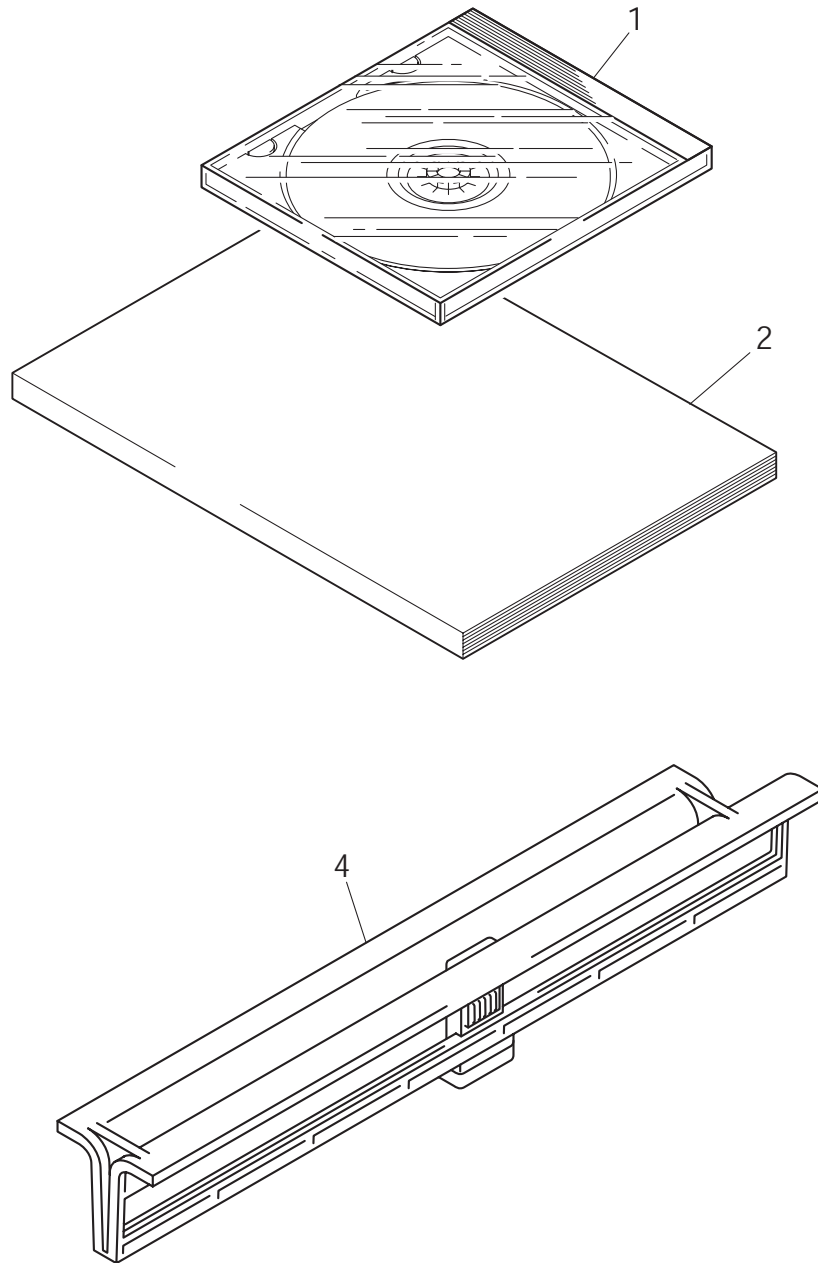
MODEL HL-4200CN 54S602

18. ACCESSORIES

REF.NO	CODE	Q'TY	DESCRIPTION	SYMBOL	REMARK
1	LM0938001	1	CD ASSY WIN		chg
1	LM0940001	1	CD ASSY MAC		chg
2	LM0939001	1	SET GUIDE, ENG		chg
2	LM0385001	1	SET GUIDE, FRE		
2	LM0558001	1	SET GUIDE, GER		
2	LM0559001	1	SET GUIDE, NL		
2	LM0560001	1	SET GUIDE, DEN		
2	LM0561001	1	SET GUIDE, SPA		
2	LM0562001	1	SET GUIDE, POR		
2	LM0563001	1	SET GUIDE, ITA		
2	LM0564001	1	SET GUIDE, NOR		
2	LM0565001	1	SET GUIDE, SWE		
3	LM0929001	1	CLN-RTC ASSY		del
4	LM0950001	1	CLN-RTC KIT		ADD

MODEL HL-4200CN 54S602

18. ACCESSORIES



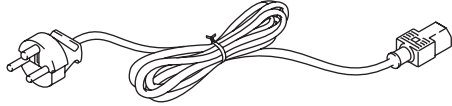
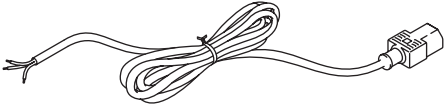
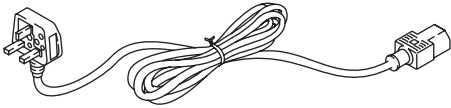


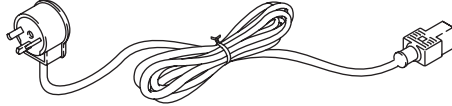
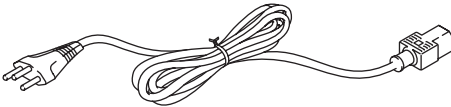

MODEL HL-4200CN 54S602

19. AC CORDS

REF.NO	CODE	Q'TY	DESCRIPTION	SYMBOL	REMARK
1	LJ9103001	1	AC CORD ASSY LF, VDE		
2	LJ9257001	1	AC CORD ASSY LF, BS		
3	LJ9666001	1	AC CORD LF, SAA		CHG
4	LJ9254001	1	AC CORD ASSY LF, SEV		
5	LJ9256001	1	AC CORD ASSY LF, DEMKO		
6	LJ9295001	1	AC CORD ASSY LF, SOUTH AFRICA		
7	LJ9298001	1	AC CORD ASSY LF, ISRAEL		
8	LM0276001	1	AC CORD ASSY LF, UL/CSA		

MODEL HL-4200CN 54S602

19. AC CORDS

1		5	
2		6	
3		7	
4		8	

MODEL HL-4200CN 54S602