

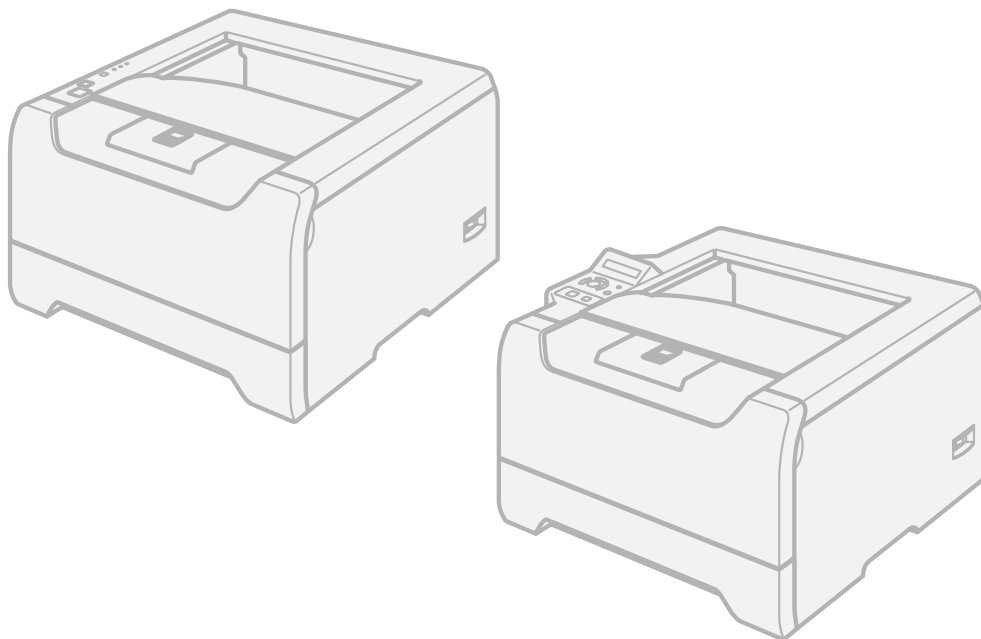


# Brother Laser Printer **PARTS REFERENCE LIST**

---

---

**MODEL:  
HL-5240/5240L/5250DN/5251DN/  
5250DNT/5270DN/5280DW**



Read this list thoroughly before maintenance work.

Keep this list in a convenient place for quick and easy reference at all times.

# NOTE FOR USING THIS PARTS REFERENCE LIST

1. In the case of ordering parts, it is necessary to mention the following items:

- (1) Code
- (2) Q'ty
- (3) Description
- (4) Symbol (PCB No. etc.)

<Example>

	(1) CODE	(2) Q'TY	(3) DESCRIPTION	(4) SYMBOL	REMARK
REF.NO.					

Revision No.: marked on the **main printed circuit board (Main PCB)**

**B48K056**

----- Circuit board No.

2. Design-changed parts:

If any of the parts is changed, one of the following symbols is indicated in the REMARK column.

CHG (chg): The part is changed for a new one.

ADD (add): The part is newly added.

DEL (del): The part is deleted.

Symbol in capital letters indicates the latest parts change information in the page.

3. The original parts reference list is based on the information available in September 2005.

4. Parts are subject to change in design without prior notice.

## COUNTRIES AND AREAS

AP: Asia Pacific	IBERIA: Spain/Portugal
ARG: Argentina	IND: India
ARL: Australia	ISR: Israel
BEL: Belgium	ITA: Italy
BRZ: Brazil	KOR: Korea
CAN: Canada	NZ: New Zealand
CHI: Chile	PAN-NOR: PAN-NORDIC (Norway/Finland/Denmark/Sweden)
CHN: China	RUS: Russia
EEU: EEU GENERAL (Bulgaria/Czech/Hungary/Poland/Romania/Slovakia)	SAF: South Africa
EUR: Europe	SGP/GULF: Singapore/Gulf
FRA: France	SWI: Switzerland
GER: Germany	UK: U.K.
HOL (NL): Holland (Netherlands)	US: U.S.A

## LANGUAGES

BUL: Bulgarian	ITA: Italian
CHN: Chinese	NOR: Norwegian
CZE: Czech	KOR: Korean
DEN (DAN): Danish	POL: Polish
DUT: Dutch	POR: Portuguese
ENG: English	ROM: Romanian
FIN: Finnish	RUS: Russian
FRE: French	SVK: Slovak
GER: German	SPA: Spanish
HUN: Hungarian	SWE: Swedish

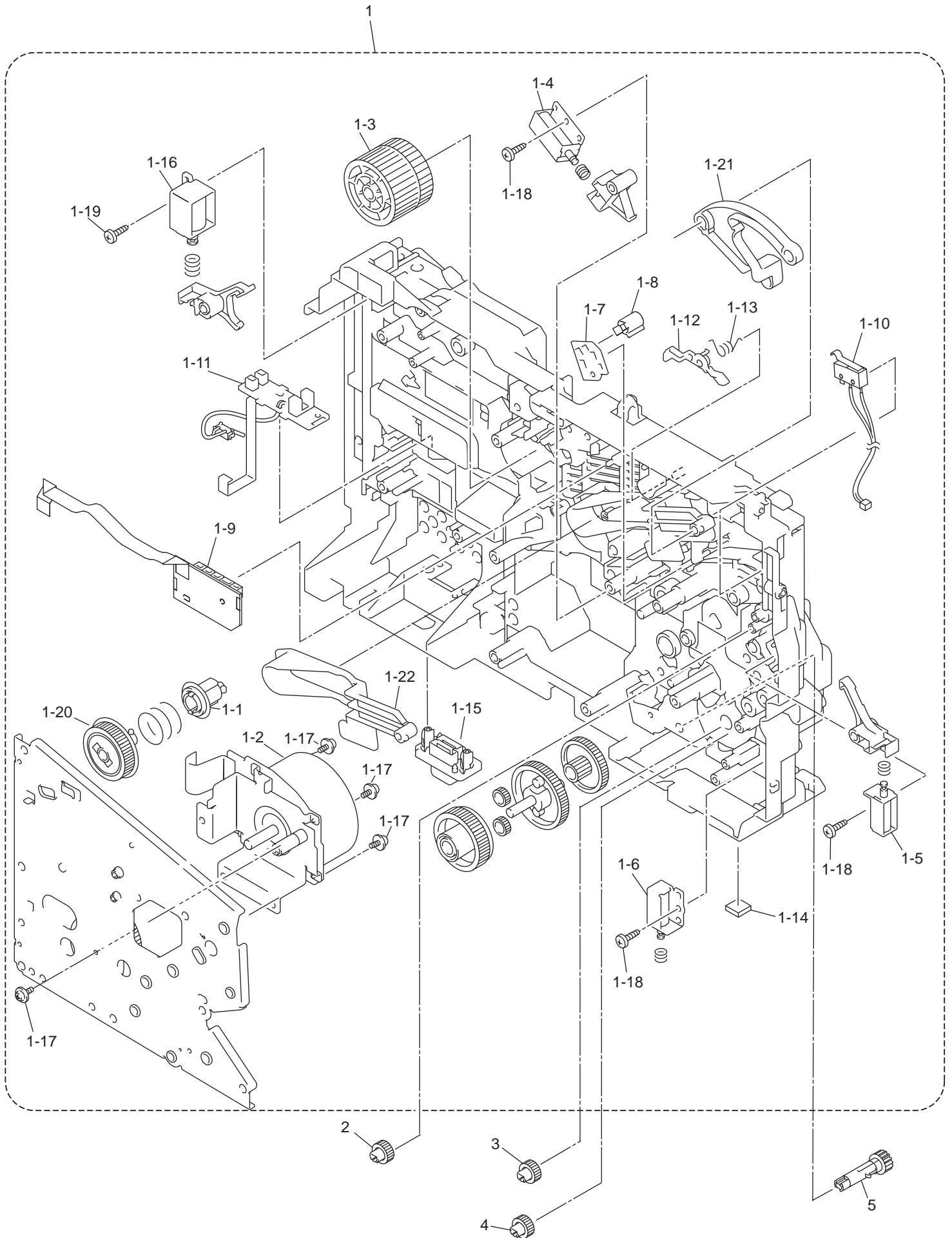
# CONTENTS

1.	<u>FRAME L&amp;DRIVE UNIT</u> .....	1
2.	<u>FRAME R UNIT</u> .....	3
3.	<u>FRAME UNIT</u> .....	5
4.	<u>LASER UNIT</u> .....	7
5.	<u>PAPER FEEDER</u> .....	9
6.	<u>DX</u> .....	11
7.	<u>PAPER TRAY</u> .....	13
8.	<u>FUSER UNIT</u> .....	15
9.	<u>COVERS&amp;LABELS</u> .....	17
10.	<u>MAIN PCB</u> .....	20
11.	<u>LVPS</u> .....	22
12.	<u>HVPS</u> .....	24
13.	<u>AC CORDS</u> .....	26
14.	<u>ACCESSORIES</u> .....	28
15.	<u>PACKING MATERIALS</u> .....	31
16.	<u>PERIODICAL MAINTENANCE PARTS</u> .....	33

1. FRAME L&DRIVE UNIT

REF No.	CODE	Q'TY	DESCRIPTION	REMARKS
1	LU1343001	1	MAIN FRAME L UNIT (HL-5250DN/5250DNT/5251DN/5270DN/5280DW)	chg
1	LU1344001	1	MAIN FRAME L UNIT 40 (HL-5240/5240L)	chg
1-1	LU7214001	1	DEVELOP JOINT	chg
1-2	LM5047001	1	MAIN MOTOR ASSY AL	
1-3	LM5048001	1	FUSER GEAR 39 H/R DRIVE	
1-4	LM5058001	1	REGISTER SOLENOID ASSY	
1-5	LM5062001	1	MP SOLENOID ASSY	
1-6	LM5067001	1	T1 SOLENOID ASSY	
1-7	LJ9935001	1	TONER SENSOR PCB ASSY AL	
1-8	UL9037001	1	PT SENSOR HOLDER	
1-9	LV0690001	1	RELAY FRONT PCB ASSY AL	chg
1-10	LJ9940001	1	INTERLOCK SW ASSY AL	
1-11	LJ9942001	1	RELAY REAR PCB ASSY AL (HL-5250DN/5250DNT/5251DN/ 5270DN/5280DW)	
1-11	LM9168001	1	RELAY REAR PCB 2 ASSY AL (HL-5240/5240L)	chg
1-12	LM5085001	1	NEW TONER ACTUATOR	
1-13	LM5086001	1	NEW TONER ACTUATOR SPRING	
1-14	LJ7403001	1	RUBBER FOOT	
1-15	LJ9945001	1	CONNECTOR 54702-1219	
1-16	LM5011001	1	EJECTOR SOLENOID (HL-5250DN/5250DNT/5251DN/5270DN/ 5280DW)	
1-17	087320616	4	TAPTITE CUP S M3x6	
1-18	085311016	3	TAPTITE BIND B M3x10	
1-19	085311016	1	TAPTITE BIND B M3x10 (HL-5250DN/5250DNT/5251DN/5270DN/ 5280DW)	
1-20	LM5043001	1	DEV GEAR 37R JOINT DRIVE	add
1-21	LM5080001	1	DRIVE RELEASE LINK	add
1-22	LM5079001	1	DRIVE RELEASE CAM	add
2	LM5104001	1	GEAR 17 MP ROLLER DRIVE	add
3	LM5103001	1	GEAR 20 T1 ROLLER DRIVE	add
4	LM5102001	1	GEAR 17 FEED ROLLER DRIVE	add
5	LM5051001	1	DX GEAR 15 TRAY DRIVE (EXCEPT HL-5240/5240L)	ADD

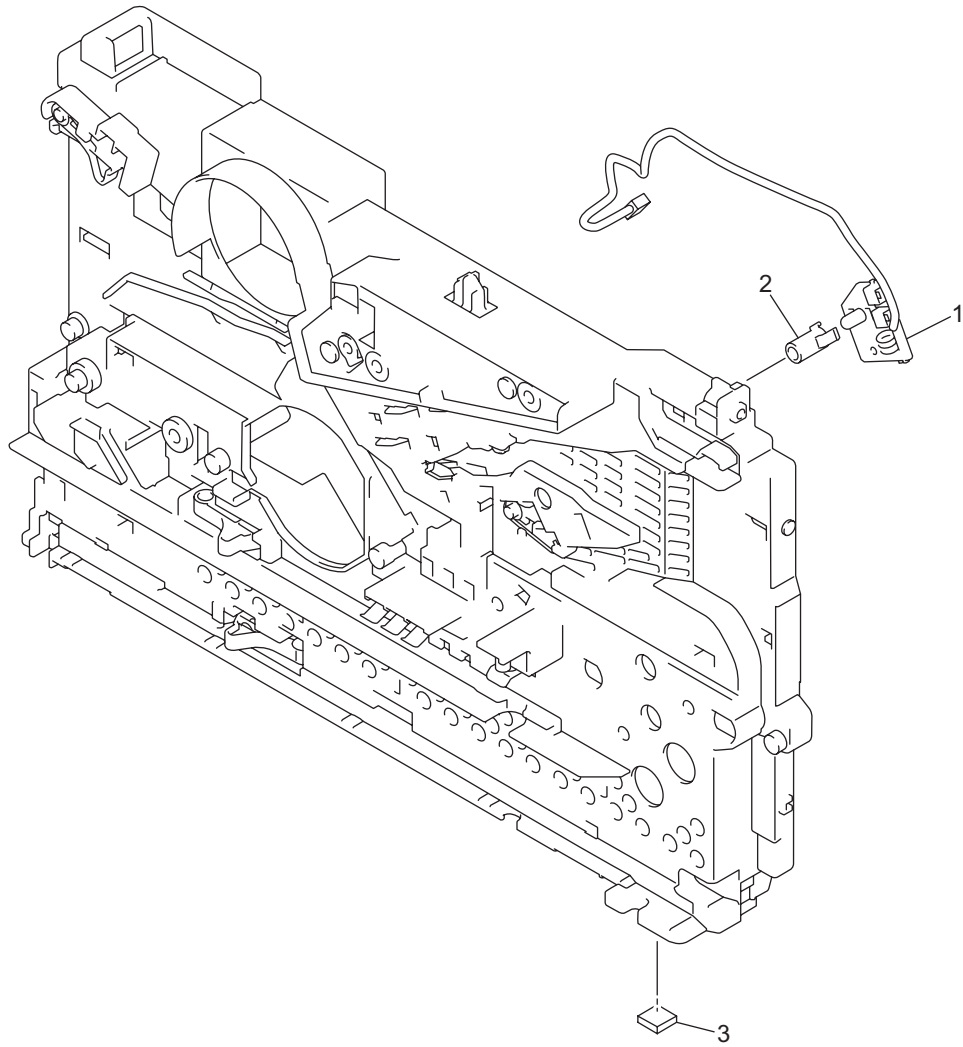
# 1. FRAME L&DRIVE UNIT



## 2. FRAME R UNIT

REF No.	CODE	Q'TY	DESCRIPTION	REMARKS
1	LM9022001	1	TONER LED PCB ASSY AL	
2	LM4267001	1	LED HOLDER	
3	LJ7403001	1	RUBBER FOOT	

## 2. FRAME R UNIT

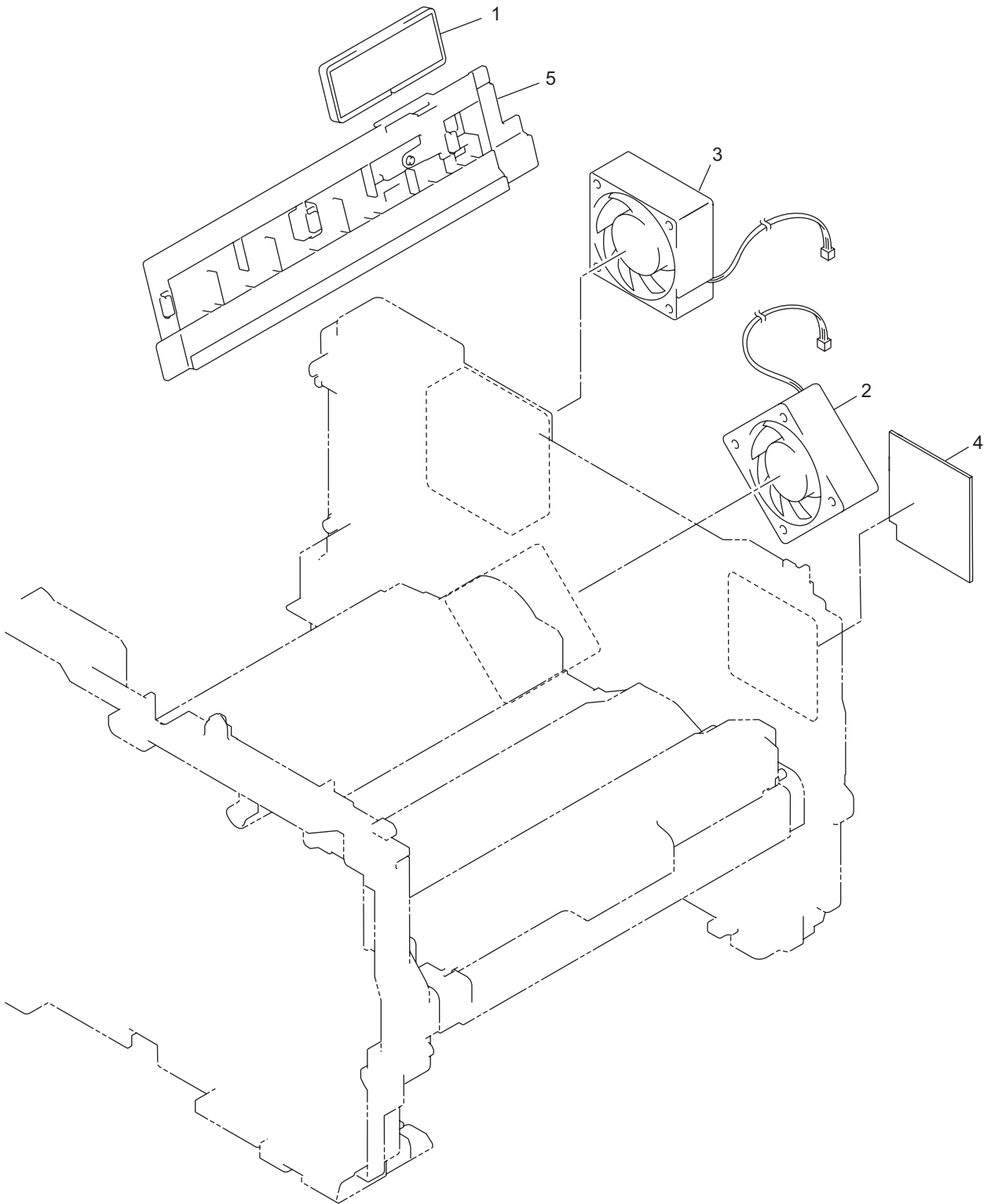




3. FRAME UNIT

REF No.	CODE	Q'TY	DESCRIPTION	REMARKS
1	LU0951001	1	FILTER T7 ASSY	chg
2	LM5114001	1	FAN MOTOR 60 UNIT LV	
3	LM5116001	1	FAN MOTOR 60 UNIT	
4	LG6846001	1	PCB T60H929.00 ASSY 02, HL-5280DW US (for Brazil)/GER/UK/SWI/GENERAL/PAN-NORDIC	chg
4	LG7359001	1	WIRELESS PCB (HL-5280DW)	CHG
5	LM6655001	1	AIR DUCT ASSY AL	add

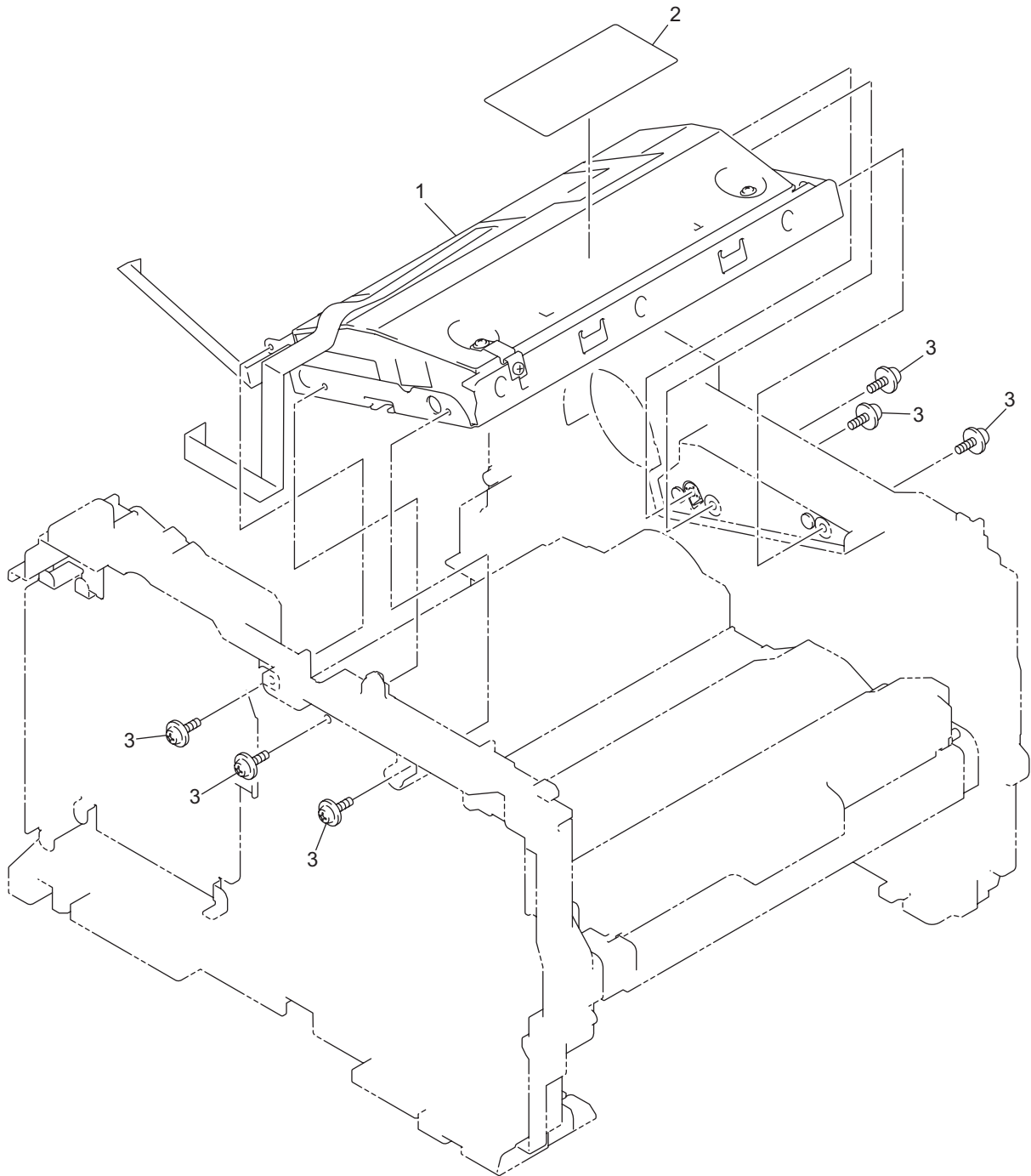
### 3. FRAME UNIT



#### 4. LASER UNIT

REF No.	CODE	Q'TY	DESCRIPTION	REMARKS
1	LM5750001	1	LASER UNIT AL (SP)	
2	LJ0908001	1	LASER CAUTION LABEL B (EXCEPT CHN)	
2	UL7931001	1	LASER CAUTION LABEL (CHN)	
3	087320616	6	TAPTAITE CUP S M3x6	

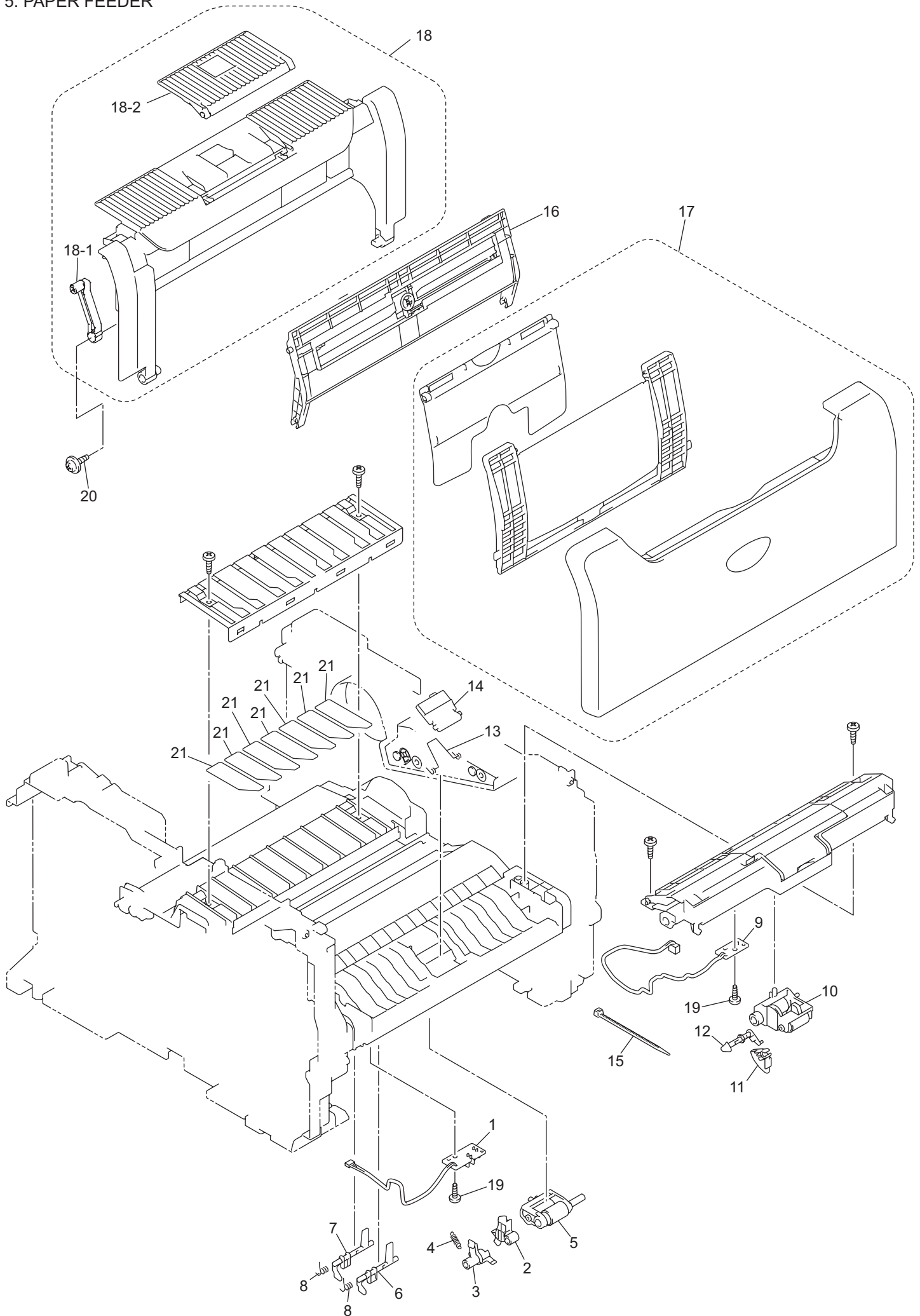
4. LASER UNIT



5. PAPER FEEDER

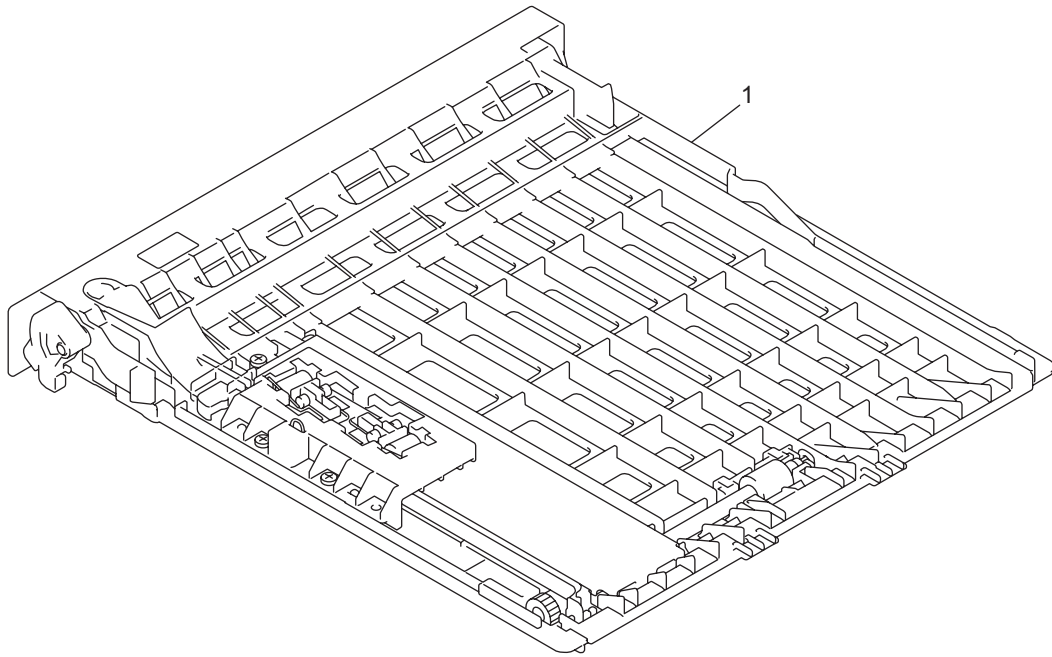
REF No.	CODE	Q'TY	DESCRIPTION	REMARKS
1	LM9001001	1	PE EG SENSOR ASSY	
2	LU7935001	1	PE ACTUATOR ASSY	CHG
3	LM5132001	1	EDGE ACTUATOR	
4	LM5133001	1	EDGE ACTUATOR SPRING	
5	LM5140001	1	ROLLER HOLDER ASSY	
6	LM5150001	1	REGIST ACTUATOR FRONT	
7	LM5151001	1	REGIST ACTUATOR REAR	
8	LM5152001	2	REGIST ACTUATOR SPRING	
9	LJ9999001	1	MP PE SENSOR ASSY	
10	LM5165001	1	MP ROLLER HOLDER ASSY	
11	LM5171001	1	PE ACTUATOR MP	
12	LU0027001	1	PE ACTUATOR MP B 2	chg
13	LM6490001	1	MP SEPARATION SPRING A	chg
14	LM6752001	1	SEPARATION PAD ASSY MP 2	chg
15	LJ8657001	1	BINDER 2.3X7.9	
16	LM5196001	1	TRAY MP ASSY	
17	LM5201001	1	MP TRAY COVER ASSY	
18	LM5205001	1	PROCESS COVER ASSY AL (HL-5240/5250DN EXCEPT CHN/IND, HL-5250DNT/5270DN/5280DW)	
18	LM5205002	1	PROCESS COVER ASSY AL (HL-5240L)	
18	LM5962001	1	PROCESS COVER ASSY AL CHN (CHN)	add
18	LM6964001	1	PROCESS COVER ASSY AL IND (IND)	add
18	LM7031001	1	PROCESS COVER ASSY (HL-5251DN)	add
18-1	LM5124001	1	PROCESS COVER STOPPER	
18-2	LM5208001	1	SUPPORT FLAP AL (HL-5240/5250DN/5250DNT/5251DN/5270DN/5280DW)	
18-2	LM5208002	1	SUPPORT FLAP AL (HL-5240L)	
19	085310816	2	TAPTITE BIND B M3x8	
20	087411016	1	TAPTITE CUP B M4X10	
21	LM6584001	7	ANTISTATIC FILM SWI (SWI)	add

# 5. PAPER FEEDER



6. DX

REF No.	CODE	Q'TY	DESCRIPTION	REMARKS
1	LM5209001	1	DX FEED ASSY LTR AL (HL-5250DN/5270DN/5280DW/5250DNT US/CAN/PHL/ARG/CHI)	
1	LU7503001	1	DX FEED ASSY A4 AL (HL-5250DN/5251DN/5270DN/5280DW EXCEPT US/CAN/PHL/ARG/CHI)	CHG

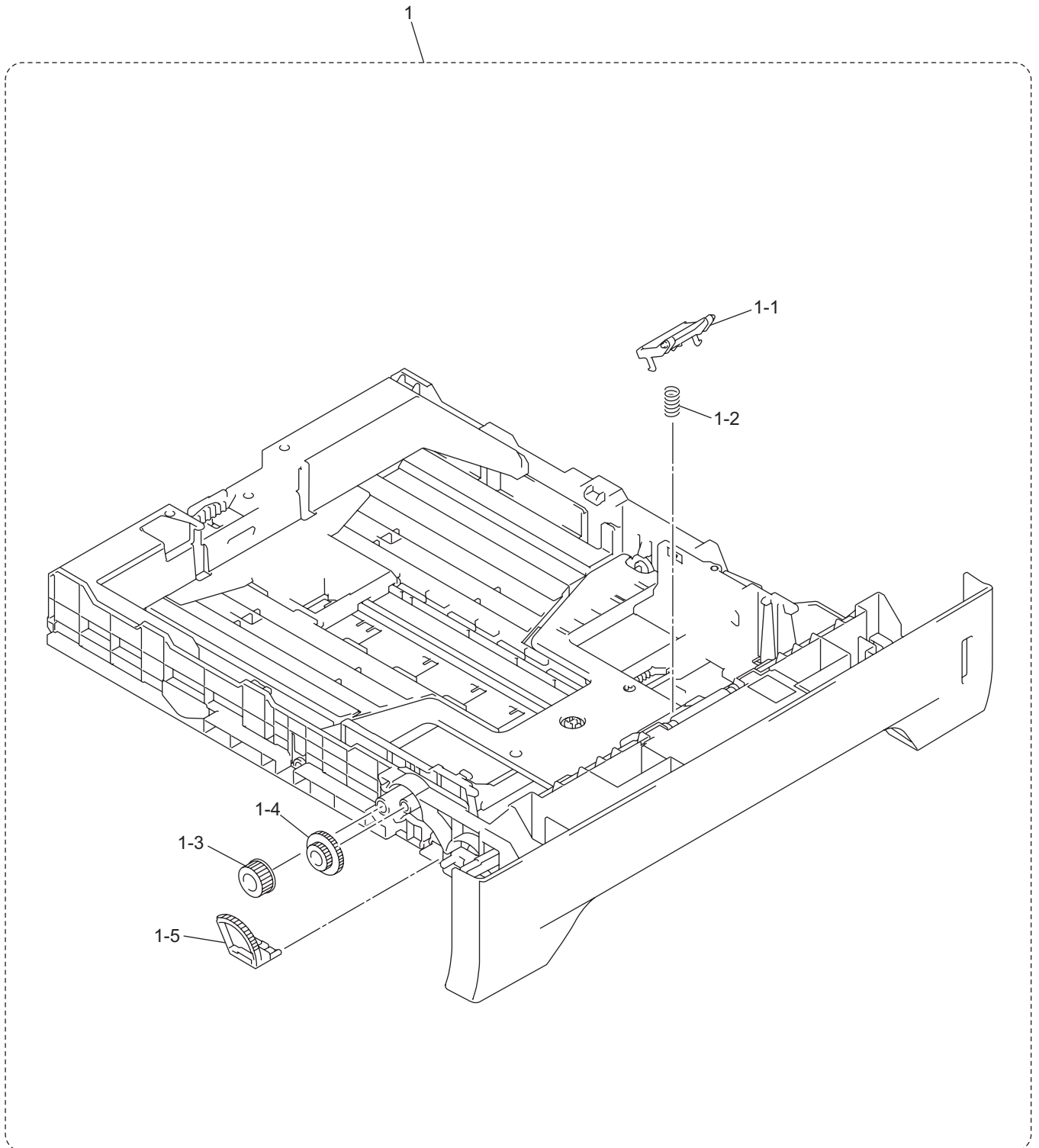




7. PAPER TRAY

REF No.	CODE	Q'TY	DESCRIPTION	REMARKS
1	LU0691001	1	PAPER TRAY UNIT US 2	CHG
1	LM5739001	1	PAPER TRAY UNIT EUR	
1	LM6568001	1	PAPER TRAY UNIT A4 S	add
1	LU0698001	1	PAPER TRAY UNIT UNIV IND 2	CHG
1	LU0629001	1	PAPER TRAY UNIT 5240L	
1-1	LM5237001	1	SEPARATION PAD ASSY	
1-2	LM5239001	1	SEPARATION PAD SPRING	
1-3	LM5245001	1	GEAR 15	
1-4	LM5246001	1	GEAR 21-16	
1-5	LM5247001	1	LIFT GEAR 46	

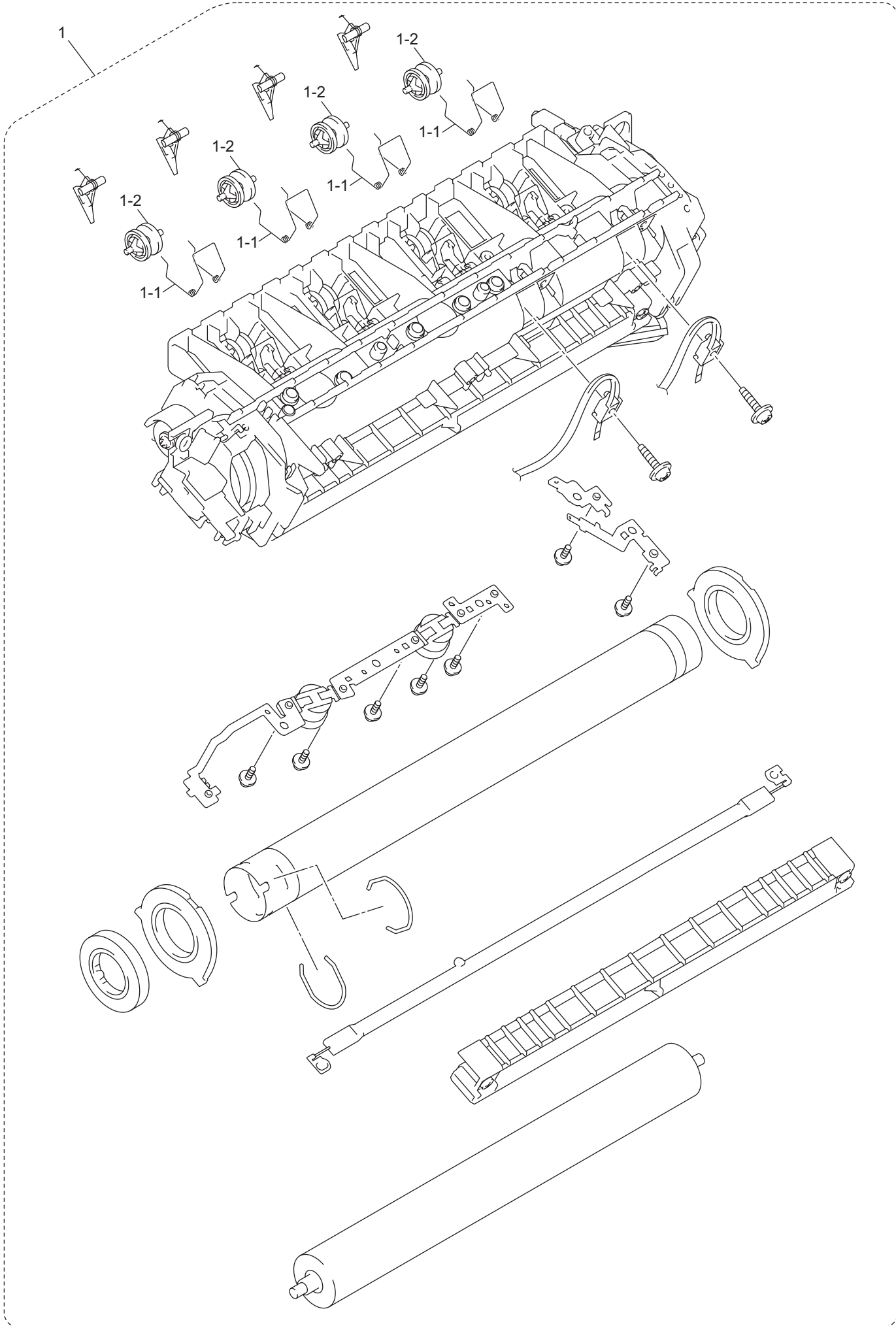
## 7. PAPER TRAY



## 8. FUSER UNIT

REF No.	CODE	Q'TY	DESCRIPTION	SYMBOL	REMARKS
1	LU1390001	1	FUSER UNIT 115V (SP)		CHG
1	LU1399001	1	FUSER UNIT 230V (SP) (AP/CHN/ARG/CHI)		CHG
1	LU1397001	1	FUSER UNIT 230V (SP) (EUR/SAF)		CHG
1	LU1395001	1	FUSER UNIT 230V (SP) (IND)		CHG
4	<del>LU0112001</del>	4	<del>FUSER UNIT 230V SNG (SP)</del>		del
1-1	LM5408001	4	PRESSURE SPRING		add
1-2	LM5513001	4	EJECT PINCH ROLLER M		add

# 8. FUSER UNIT



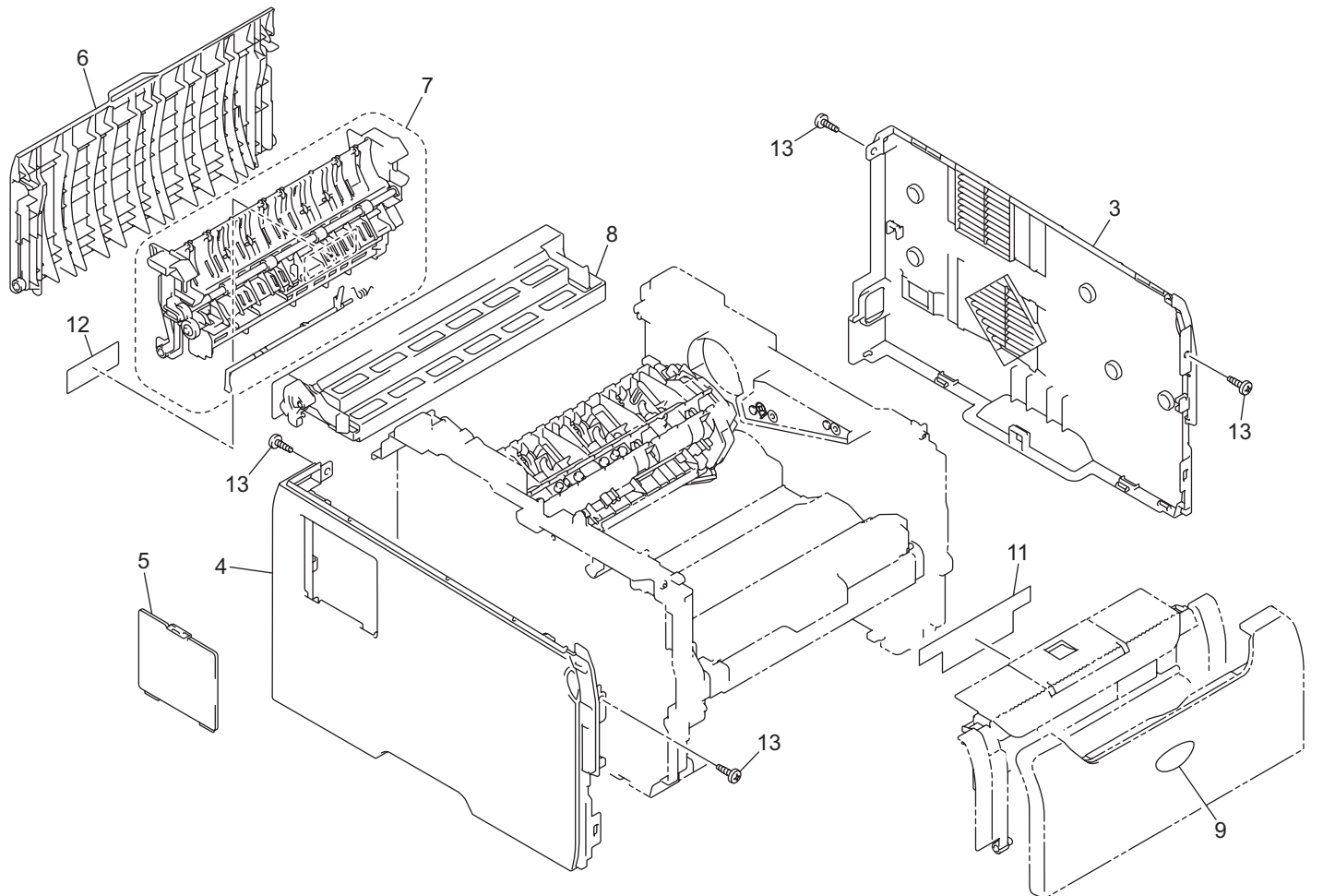
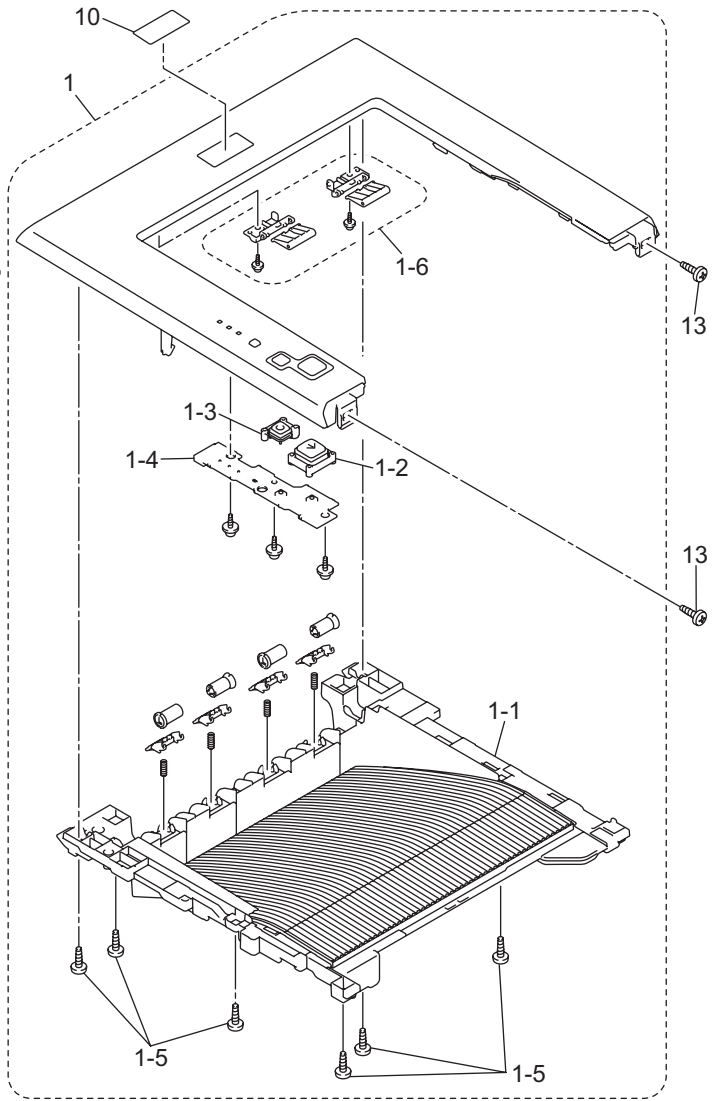
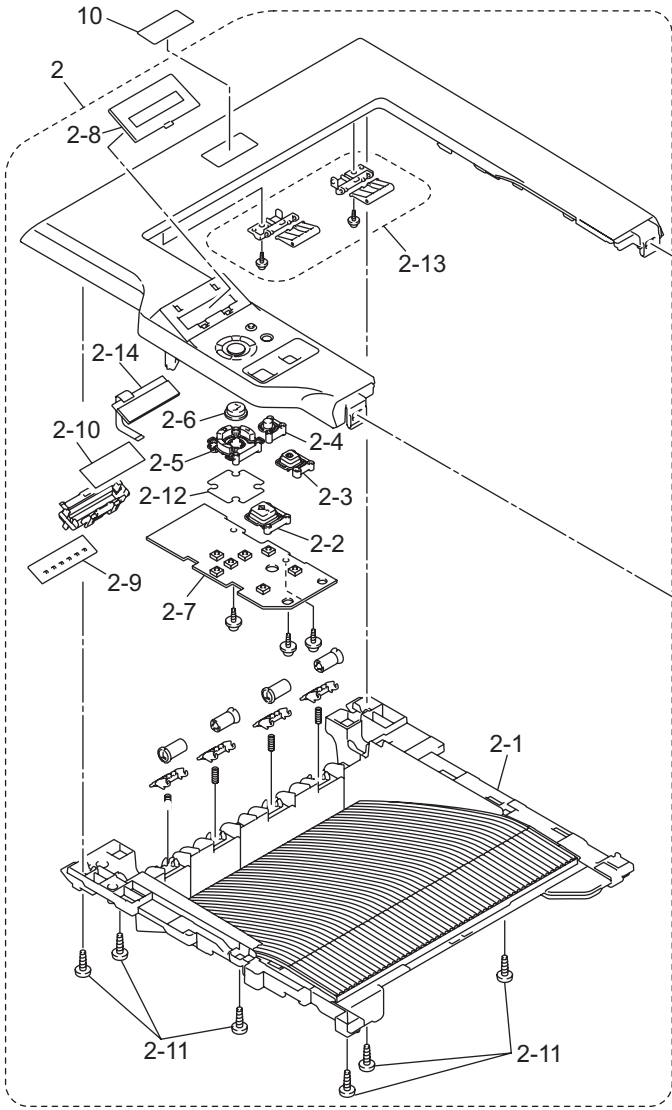
9. COVERS&LABELS

REF No.	CODE	Q'TY	DESCRIPTION	REMARKS
1	LU0126001	1	TOP COVER ASSY AL PSL (HL-5240 GER/UK/ARL/SWI/SPA/POR/ITA/ISR/CHN/ PHL/SAF/ARG/CHI/SGP/GULF/KOR/IND/RUS/PAN-NORDIC/ BEL/FRA/NL/EEU GENERAL/MOF BEL/CONSIP ITA, HL-5250DN GER/UK/ARL/SWI/SPA/POR/ITA/ISR/ CHN/PHL/SAF/ARG/CHI/SGP/GULF/KOR/IND/RUS/ PAN-NORDIC/BEL/FRA/NL/EEU GENERAL/ HY GER/ CONSIP ITA, HL-5251DN CONSIP ITA)	CHG
1	LM5262001	1	TOP COVER ASSY AL (HL-5240 US/CAN, HL-5250DN US/CAN, HL-5250DNT US)	ADD
1	LU0126002	1	TOP COVER ASSY AL PSL (HL-5240L)	
4	<del>LU0231004</del>	4	<del>TOP COVER ASSY AL MOF BEL PSL (HL-5240 MOF BEL)</del>	del
1-1	LM5269001	1	INNER CHUTE AL (HL-5240/5250DN/5250DNT/5251DN/ 5270DN/5280DW)	
1-1	LM5269005	1	INNER CHUTE AL (HL-5240L)	
1-2	LM5083001	1	SW KEY A	
1-3	LM5084001	1	SW KEY B	
1-4	LJ9933001	1	PANEL PCB ASSY AL	
1-5	085411216	6	TAPTITE BIND B M4x12	
1-6	LU0160001	1	PAPER STACK LEVER ASSY AL (HL-5240 GER/UK/ARL/SWI/SPA/POR/ITA/ISR/CHN/ PHL/SAF/ARG/CHI/SGP/GULF/KOR/IND/RUS/PAN-NORDIC/ BEL/FRA/NL/EEU GENERAL/MOF BEL/CONSIP ITA, HL-5250DN GER/UK/ARL/SWI/SPA/POR/ITA/ISR/ CHN/PHL/SAF/ARG/CHI/SGP/GULF/KOR/IND/RUS/ PAN-NORDIC/BEL/FRA/NL/EEU GENERAL/ HY GER/ CONSIP ITA, HL-5251DN CONSIP ITA)	CHG
2	LU0125001	1	TOP COVER 2 ASSY 5270 PSL	chg
2	LU0232001	1	TOP COVER 2 ASSY 5280 PSL (GER/UK/SWI/GENERAL/ PAN-NORDIC)	CHG
2	LM5769001	1	TOP COVER 2 ASSY 5280 (US/CAN)	ADD
2-1	LM5269001	1	INNER CHUTE AL	
2-2	LM5530001	1	SW KEY A	
2-3	LM5531001	1	SW KEY B	
2-4	LM5532001	1	SW KEY C	
2-5	LM5635001	1	SET KEY PRINTED ASSY	
2-6	LM5534001	1	KEY TOP	
2-7	LM9041001	1	LCD PANEL PCB ASSY AL	
2-8	LM5535001	1	PANEL PLATE PRINTED ASSY 5270	
2-8	LM5768001	1	PANEL PLATE PRINTED ASSY 5280	
2-9	LM9043001	1	BACK LIGHT PCB ASSY AL	
2-10	LE7130001	1	BACK LIGHT FILM	
2-11	085411216	7	TAPTITE BIND B M4x12	
2-12	LM5882001	1	SET KEY FILM	
2-13	LU0160001	1	PAPER STACK LEVER ASSY AL (GER/UK/SWI/GENERAL/ PAN-NORDIC)	CHG
2-14	LG6059001	1	LCD	add
3	LM5778001	1	SIDE COVER R ASSY AL (HL-5240/5250DN/5250DNT/ 5251DN/5270DN/5280DW)	
3	LM5778005	1	SIDE COVER R ASSY AL (HL-5240L)	
4	LM5780001	1	SIDE COVER L ASSY AL (HL-5240/5250DN/5250DNT/5251DN)	
4	LM5779001	1	SIDE COVER L 2 ASSY AL (HL-5270DN/5280DW)	
4	LU0282001	1	SIDE COVER L ASSY AL MOF (HL-5240 MOF BEL)	add
4	LU0634001	1	SIDE COVER L ASSY 5240L (HL-5240L)	
5	LM5273001	1	ACCESS COVER AL (HL-5240/5250DN/5250DNT/5251DN/ 5270DN/5280DW)	
5	LM5273005	1	ACCESS COVER AL (HL-5240L)	

9. COVERS&LABELS

REF No.	CODE	Q'TY	DESCRIPTION	REMARKS
6	LM5274001	1	REAR COVER AL (HL-5240/5250DN/5250DNT/5251DN/ 5270DN/5280DW)	
6	LM5274005	1	REAR COVER AL (HL-5240L)	
7	LU0278001	1	OUTER CHUTE ASSY2 EL20 (EXCEPT US/CAN)	chg
7	LU0277001	1	OUTER CHUTE ASSY2 EL25 (US/CAN)	add
8	LM5424001	1	DX COVER (HL-5240)	chg
8	LM5424005	1	DX COVER (HL-5240L)	
9	LM5771001	1	BROTHER EMBLEM AL (HL-5240/5250DN/5250DNT/ 5251DN/5270DN/5280DW)	
9	LM5771002	1	BROTHER EMBLEM AL (HL-5240L)	
10	LM5521001	1	MODEL PLATE 5240	
10	LU0524001	1	MODEL PLATE 5240L	
10	LM5284001	1	MODEL PLATE 5250	
10	LM5537001	1	MODEL PLATE 5270	
10	LM5604001	1	MODEL PLATE 5280	
10	LU0059001	1	MODEL PLATE 5251	add
11	LM5542001	1	PROCESS UNIT OP LABEL AL US	
11	LM5834001	1	PROCESS UNIT OP LABEL AL EUR	
11	LM5835001	1	PROCESS UNIT OP LABEL AL AP	
11	LM5836001	1	PROCESS UNIT OP LABEL AL CHN	
11	LU0060001	1	PROCESS UNIT OP LABEL AL ITA (HL-5251DN)	add
12	LM5758001	1	RELEASE LABEL	
13	085411216	6	TAPTITE BIND B M4x12	

9. COVERS&LABELS

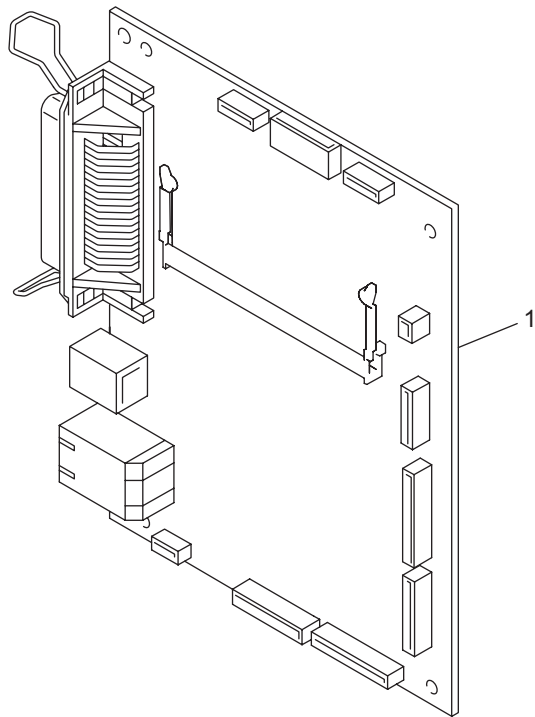
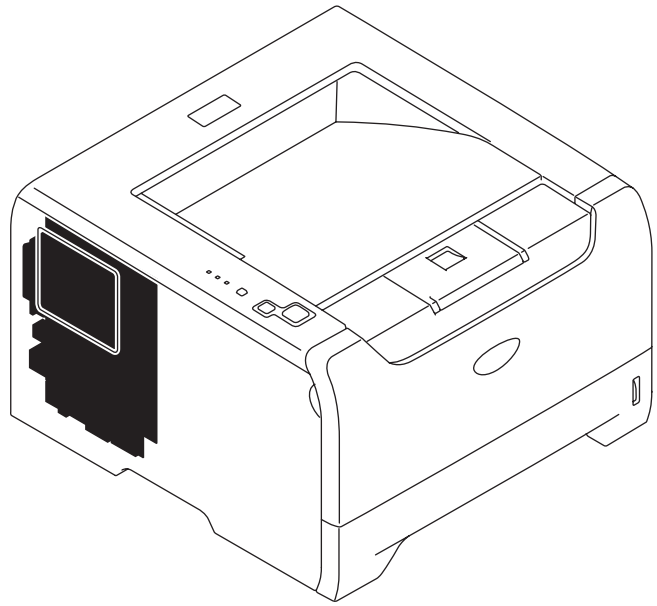


10. MAIN PCB

REF No.	CODE	Q'TY	DESCRIPTION	SYMBOL	REMARKS
1	LM9076001	1	MAIN PCB ASSY 5240		
1	LV0119001	1	MAIN PCB ASSY 5240L		
1	LM9077001	1	MAIN PCB ASSY 5250		
1	LM9110001	1	MAIN PCB ASSY 5270		
1	LM9064001	1	MAIN PCB ASSY 5280DW US		
1	LM9138001	1	MAIN PCB ASSY 5280DW EU		
1	LM9169001	1	MAIN PCB ASSY 5240 CHN		add
1	LM9170001	1	MAIN PCB ASSY 5250 CHN		add
1	LM9429001	1	MAIN PCB ASSY 5240 IND		add
1	LM9430001	1	MAIN PCB ASSY 5250 IND		add
1	LV0048001	1	MAIN PCB ASSY 5250 KOR		add

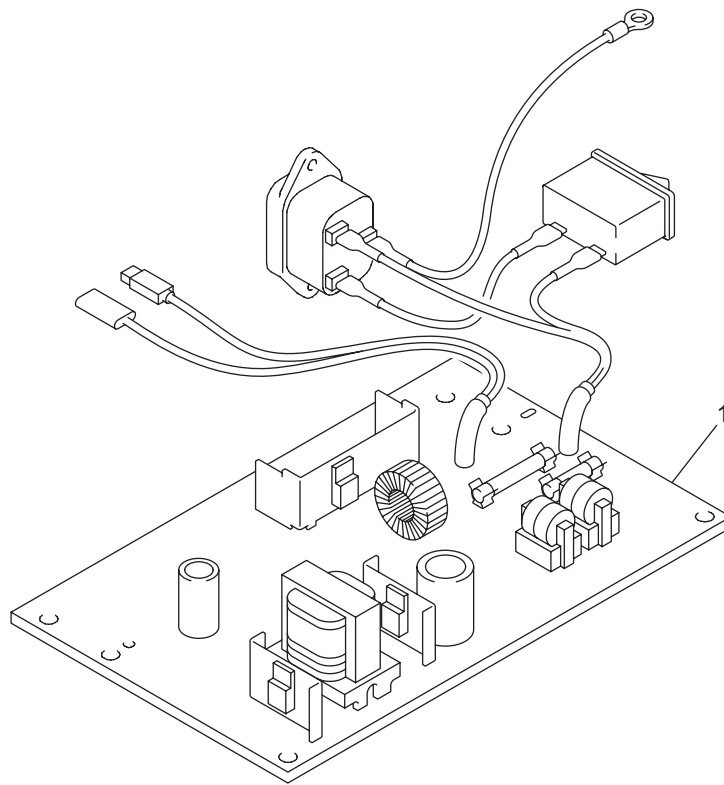
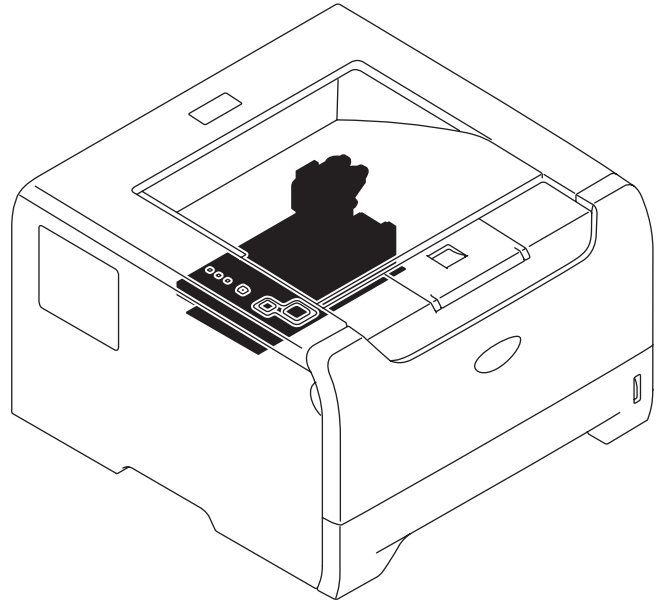


10. MAIN PCB



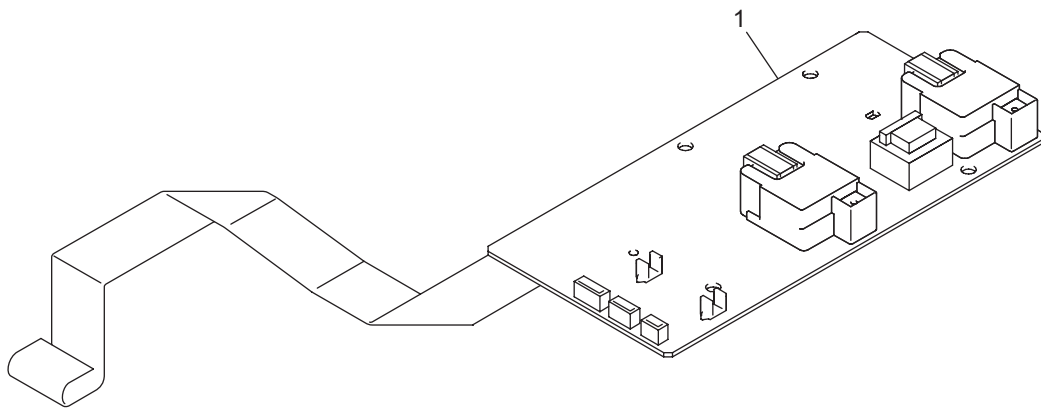
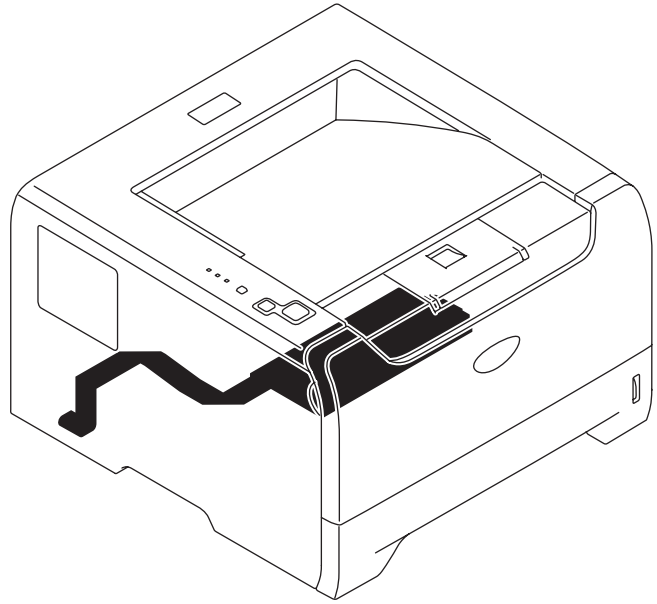
11. LVPS

REF No.	CODE	Q'TY	DESCRIPTION	REMARKS
1	LJ9979001	1	PS PCB UNIT AL 115V	
1	LJ9983001	1	PS PCB UNIT AL 230V FOR ARL/ISR/PHI/SAF/ARG/CHI/SGP/GULF/KOR	
1	LV0739001	1	PS PCB UNIT AL 230V FOR GER/UK/SWI/IBERIA/ITA/ PAN-NOR/BEL/FRA/HOL/EEU/GENERAL	ADD
1	LM9088001	1	PS PCB UNIT AL CHN (CHN/IND/RUS)	chg



12. HVPS

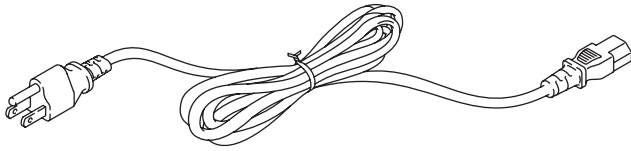
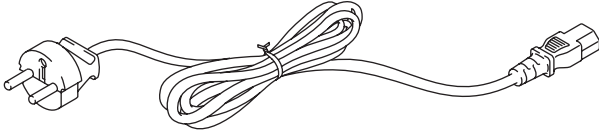
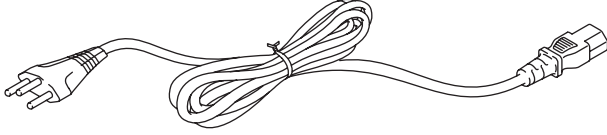
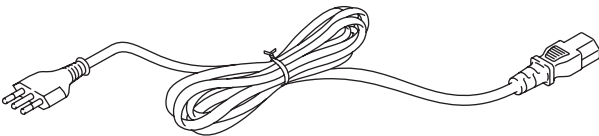
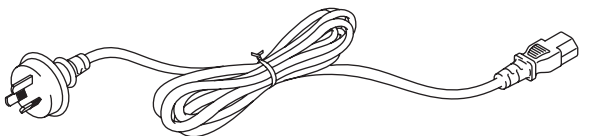
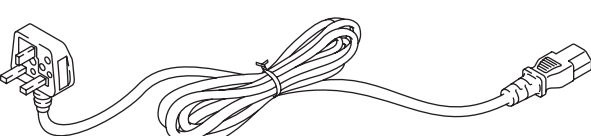
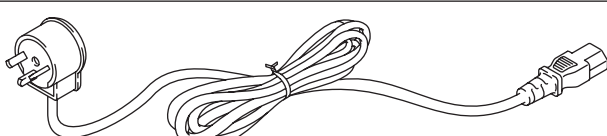
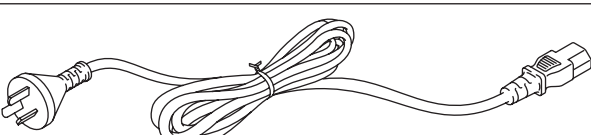
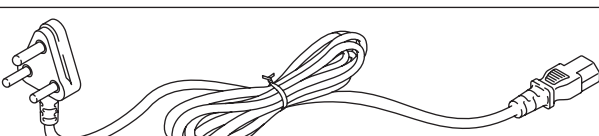
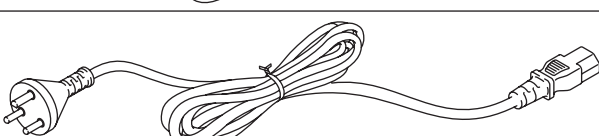
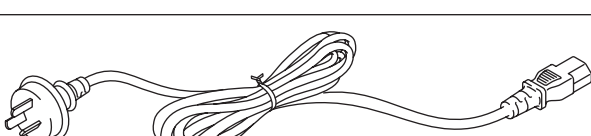
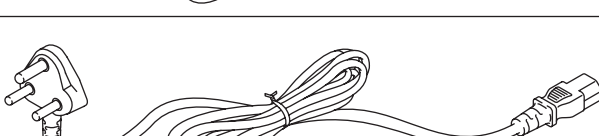
REF No.	CODE	Q'TY	DESCRIPTION	REMARKS
1	LJ9978001	1	HIGH-VOLTAGE PS PCB ASSY AL	



13. AC CORDS

REF No.	CODE	QTY	DESCRIPTION	REMARKS
1A	LJ9271001	1	AC CORD ASSY LF UL/CSA 10A	
1B	LV0363001	1	AC CORD ASSY LF VDE	chg
1B	LV0392001	1	AC CORD ASSY LF KOR	add
1C	LV0946001	1	AC CORD ASSY LF SEV	chg
1D	LJ9294001	1	AC CORD ASSY LF CHILE	
1E	LV0365001	1	AC CORD LF SAA	chg
1F	LV0367001	1	AC CORD ASSY LF BS/PSB	chg
1G	LM9288001	1	AC CORD ASSY LF ISRAEL	chg
1H	LV1092001	1	AC CORD ASSY LF CHINA	CHG
1I	LJ9295001	1	AC CORD ASSY LF SOUTH AFRICA	
1J	LJ9256001	1	AC CORD ASSY LF DEMKO	
1K	LV0377001	1	AC CORD ASSY LF IRAM	chg
1L	LV0213001	1	AC CORD ASSY LF IND	chg

13. AC CORDS

1A	
1B	
1C	
1D	
1E	
1F	
1G	
1H	
1I	
1J	
1K	
1L	

14. ACCESSORIES

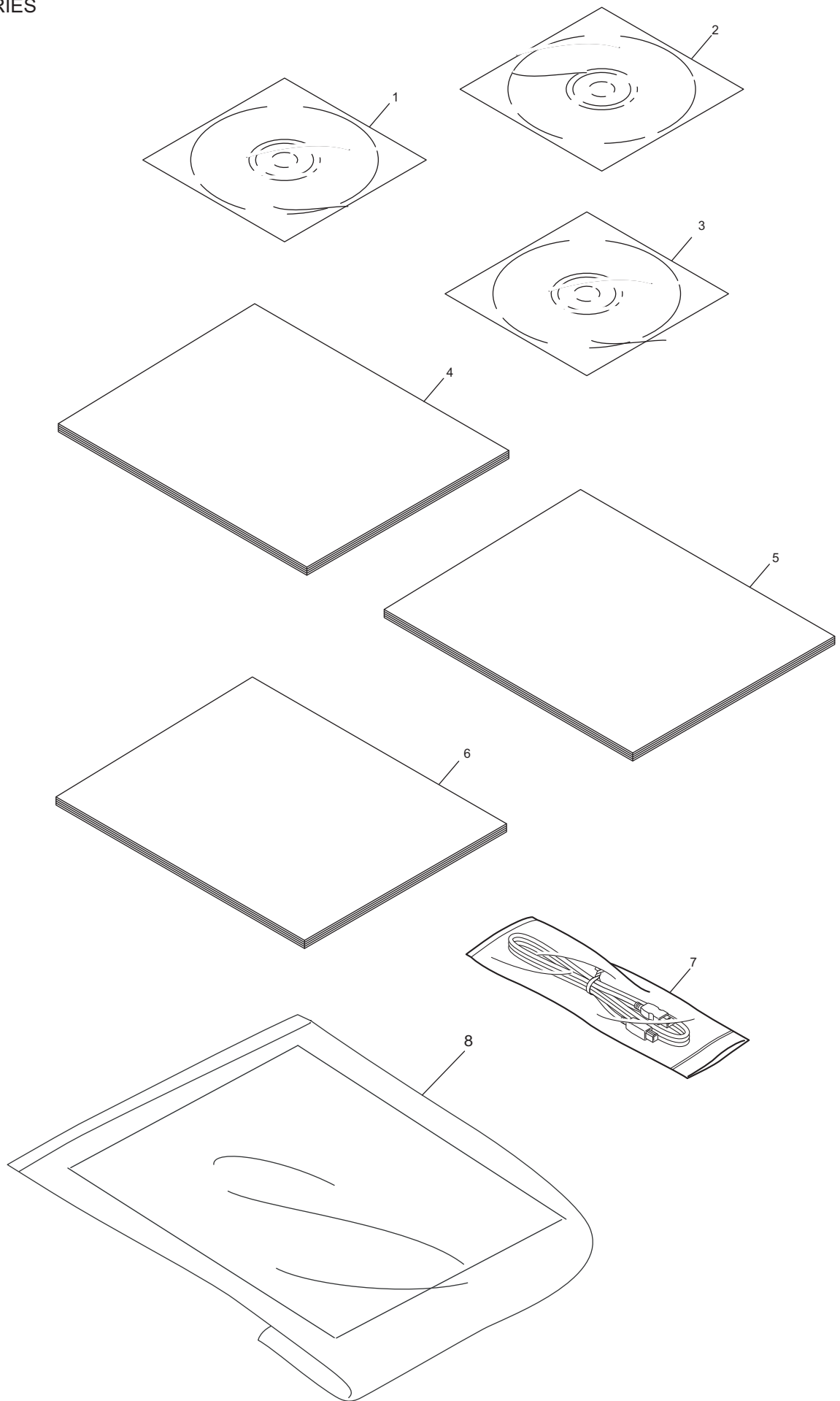
REF No.	CODE	QTY	DESCRIPTION	REMARKS
1	LU0015001	1	CD ASSY 40/50 S AL (HL-5240/5250DN EXCEPT CHN/IND/RUS/EEU GENERAL, HL-5250DNT/5251DN)	chg
1	LU1154001	1	CD ASSY 5240L AL (HL-5240L EXCEPT RUS/EEU GENERAL)	ADD
4	<del>LM5594001</del>	4	<del>CD ASSY 70 AL</del>	del
1	LM6464001	1	CD ASSY 70/80 AL (HL-5270DN EXCEPT RUS/EEU GENERAL, HL-5280DW)	chg
1	LM6232001	1	CD ASSY AL CHN (CHN)	
4	<del>LM5997001</del>	4	<del>CD ASSY 40/50AL EEU/RUS</del>	del
1	LM5903001	1	CD ASSY AL EEU/RUS (RUS/EEU GENERAL)	add
1	LM6785001	1	CD ASSY 40 KOR (HL-5240 KOR)	add
1	LU0244001	1	CD ASSY AL KOR (HL-5250DN KOR)	add
1	LM6947001	1	CD ASSY 40/50 AL IND (IND)	add
2	LU0425001	1	CD-ROM ASSY VISTA EU/US	chg
2	LU1155001	1	CD-ROM ASSY VISTA 5240L (HL-5240L EXCEPT RUS/EEU GENERAL)	ADD
2	LU0426001	1	CD-ROM ASSY VISTA CHN/ENG	add
2	LU0429001	1	CD-ROM ASSY VISTA EEU/RUS	add
2	LU0430001	1	CD-ROM ASSY VISTA KOR	add
3	LU1160001	1	CD ASSY WIN7 (HL-5240L EXCEPT RUS/EEU GENERAL, HL-5250DN ISR/SGP/GULF, HL-5270DN ISR)	ADD
3	LU1162001	1	CD ASSY WIN7 (HL-5240 CHN)	ADD
3	LU1161001	1	CD ASSY WIN7 (HL-5240L RUS/EEU GENERAL)	ADD
4	<del>LM5292001</del>	4	<del>SET GUIDE AL ENG</del>	del
4	LM6472001	1	SET GUIDE AL ENG UNIV (HL-5240/5250DN/5250DNT)	chg
4	LM5668001	1	SET GUIDE AL-LCD ENG (HL-5270DN)	
4	<del>LM5678001</del>	4	<del>SET GUIDE AL W ENG</del>	del
4	LM6475001	1	SET GUIDE AL-W ENG UNIV (HL-5280DW)	chg
4	<del>LM5628001</del>	4	<del>SET GUIDE AL FRE</del>	del
4	LM6473001	1	SET GUIDE AL FRE UNIV (HL-5240/5240L/5250DN)	chg
4	LM5667001	1	SET GUIDE AL-LCD FRE (HL-5270DN)	
4	<del>LM5680001</del>	4	<del>SET GUIDE AL W FRE</del>	del
4	LM6476001	1	SET GUIDE AL-W FRE UNIV (HL-5280DW)	chg
4	LM5618001	1	SET GUIDE AL GER (HL-5240/5240L/5250DN)	
4	LM5666001	1	SET GUIDE AL-LCD GER (HL-5270DN)	
4	LM5679001	1	SET GUIDE AL-W GER (HL-5280DW)	
4	<del>LM5651001</del>	4	<del>SET GUIDE AL SPA</del>	del
4	LM6474001	1	SET GUIDE AL SPA UNIV (HL-5240/5240L/5250DN)	chg
4	LM5671001	1	SET GUIDE AL-LCD SPA (HL-5270DN)	
4	LM5683001	1	SET GUIDE AL-W SPA (HL-5280DW)	
4	LM5652001	1	SET GUIDE AL POR (HL-5240/5240L/5250DN)	
4	LM5672001	1	SET GUIDE AL-LCD POR (HL-5270DN)	
4	LM5684001	1	SET GUIDE AL-W POR (HL-5280DW)	
4	LM5638001	1	SET GUIDE AL SWI/ITA (HL-5240/5240L/5250DN/5251DN)	
4	LM5670001	1	SET GUIDE AL-LCD ITA (HL-5270DN)	
4	LM5682001	1	SET GUIDE AL-W ITA (HL-5280DW)	
4	LM5657001	1	SET GUIDE AL CHN	
4	LM5653001	1	SET GUIDE AL NOR (HL-5240/5240L/5250DN)	
4	LM5673001	1	SET GUIDE AL-LCD NOR (HL-5270DN)	
4	LM5685001	1	SET GUIDE AL-W NOR (HL-5280DW)	
4	LM5662001	1	SET GUIDE AL SWE (HL-5240/5240L/5250DN)	
4	LM5674001	1	SET GUIDE AL-LCD SWE (HL-5270DN)	
4	LM5686001	1	SET GUIDE AL-W SWE (HL-5280DW)	
4	LM5663001	1	SET GUIDE AL DAN (HL-5240/5240L/5250DN)	
4	LM5675001	1	SET GUIDE AL-LCD DAN (HL-5270DN)	
4	LM5687001	1	SET GUIDE AL-W DAN (HL-5280DW)	
4	LM5664001	1	SET GUIDE AL FIN (HL-5240/5240L/5250DN)	
4	LM5676001	1	SET GUIDE AL-LCD FIN (HL-5270DN)	
4	LM5688001	1	SET GUIDE AL-W FIN (HL-5280DW)	
4	LM5665001	1	SET GUIDE AL DUT (HL-5240/5240L/5250DN)	
4	LM5669001	1	SET GUIDE AL-LCD DUT (HL-5270DN)	
4	LM5681001	1	SET GUIDE AL-W DUT (HL-5280DW)	



14. ACCESSORIES

REF No.	CODE	QTY	DESCRIPTION	REMARKS
4	LM5893001	1	SET GUIDE AL RUS (HL-5240/5240L/5250DN)	add
4	LM5896001	1	SET GUIDE AL-LCD RUS (HL-5270DN)	add
4	LM5891001	1	SET GUIDE AL ENG/CZE/HUN (HL-5240/5240L/5250DN)	add
4	LM5894001	1	SET GUIDE AL-LCD ENG/CZE/HUN (HL-5270DN)	add
4	LM5892001	1	SET GUIDE AL POL/BUL/ROM (HL-5240/5240L/5250DN)	add
4	LM5895001	1	SET GUIDE AL-LCD POL/BUL/ROM (HL-5270DN)	add
4	LM6945001	1	SET GUIDE 40/50 AL IND	add
5	LU0354001	1	SETUP GUIDE VISTA ENG (HL-5240/5250DN/5250DNT/5270DN)	add
5	LU0370001	1	SETUP GUIDE VISTA W ENG (HL-5280DW)	add
5	LU0355001	1	SETUP GUIDE VISTA GER (HL-5240/5250DN/5270DN)	add
5	LU0371001	1	SETUP GUIDE VISTA W GER (HL-5280DW)	add
5	LU0356001	1	SETUP GUIDE VISTA FRE (HL-5240/5250DN/5270DN)	add
5	LU0372001	1	SETUP GUIDE VISTA W FRE (HL-5280DW)	add
5	LU0357001	1	SETUP GUIDE VISTA DUT (HL-5240/5250DN/5270DN)	add
5	LU0373001	1	SETUP GUIDE VISTA W DUT (HL-5280DW)	add
5	LU0358001	1	SETUP GUIDE VISTA ITA (HL-5240/5250DN/5251DN/5270DN)	add
5	LU0374001	1	SETUP GUIDE VISTA W ITA (HL-5280DW)	add
5	LU0359001	1	SETUP GUIDE VISTA SPA (HL-5240/5250DN/5270DN)	add
5	LU0375001	1	SETUP GUIDE VISTA W SPA (HL-5280DW)	add
5	LU0360001	1	SETUP GUIDE VISTA POR (HL-5240/5250DN/5270DN)	add
5	LU0376001	1	SETUP GUIDE VISTA W POR (HL-5280DW)	add
5	LU0361001	1	SETUP GUIDE VISTA NOR (HL-5240/5250DN/5270DN)	add
5	LU0377001	1	SETUP GUIDE VISTA W NOR (HL-5280DW)	add
5	LU0362001	1	SETUP GUIDE VISTA SWE (HL-5240/5250DN/5270DN)	add
5	LU0378001	1	SETUP GUIDE VISTA W SWE (HL-5280DW)	add
5	LU0363001	1	SETUP GUIDE VISTA DEN (HL-5240/5250DN/5270DN)	add
5	LU0379001	1	SETUP GUIDE VISTA W DEN (HL-5280DW)	add
5	LU0364001	1	SETUP GUIDE VISTA FIN (HL-5240/5250DN/5270DN)	add
5	LU0380001	1	SETUP GUIDE VISTA W FIN (HL-5280DW)	add
5	LU0365001	1	SETUP GUIDE VISTA ENG/CEZ/HUN (HL-5240/5250DN/5270DN)	add
5	LU0366001	1	SETUP GUIDE VISTA POL/BUL/ROM (HL-5240/5250DN/5270DN)	add
5	LU0367001	1	SETUP GUIDE VISTA RUS (HL-5240/5250DN/5270DN)	add
5	LU0368001	1	SETUP GUIDE VISTA CHN (HL-5250DN)	add
6	LU7878001	1	SETUP GUIDE VI/7 ENG (HL-5240L UK, HL-5250DN ISR/SGP/GULF, HL-5270DN ISR)	ADD
6	LU7879001	1	SETUP GUIDE VI/7 GER (HL-5240L GER/SWI/EEU GENERAL)	ADD
6	LU7880001	1	SETUP GUIDE VI/7 FRE (HL-5240L SWI/FRA/BEL/DUT)	ADD
6	LU7881001	1	SETUP GUIDE VI/7 DUT (HL-5240L)	ADD
6	LU7882001	1	SETUP GUIDE VI/7 SWI/ITA (HL-5240L)	ADD
6	LU7883001	1	SETUP GUIDE VI/7 SPA (HL-5240L)	ADD
6	LU7884001	1	SETUP GUIDE VI/7 POR (HL-5240L)	ADD
6	LU7885001	1	SETUP GUIDE VI/7 NOR (HL-5240L)	ADD
6	LU7886001	1	SETUP GUIDE VI/7 SWE (HL-5240L)	ADD
6	LU7887001	1	SETUP GUIDE VI/7 DEN (HL-5240L)	ADD
6	LU7888001	1	SETUP GUIDE VI/7 FIN (HL-5240L)	ADD
6	LU7891001	1	SETUP GUIDE VI/7 ENG/CEZ/HUN (HL-5240L)	ADD
6	LU7892001	1	SETUP GUIDE VI/7 POL/BUL/ROM (HL-5240L)	ADD
6	LU7893001	1	SETUP GUIDE VI/7 RUS (HL-5240L)	ADD
6	LU7890001	1	SETUP GUIDE VI/7 CHN (HL-5240)	ADD
7	LJ9803001	1	USB CABLE 2.0 (CHN)	add
8	LU1261001	1	DRUM CLEANING SHEET KIT AL	ADD

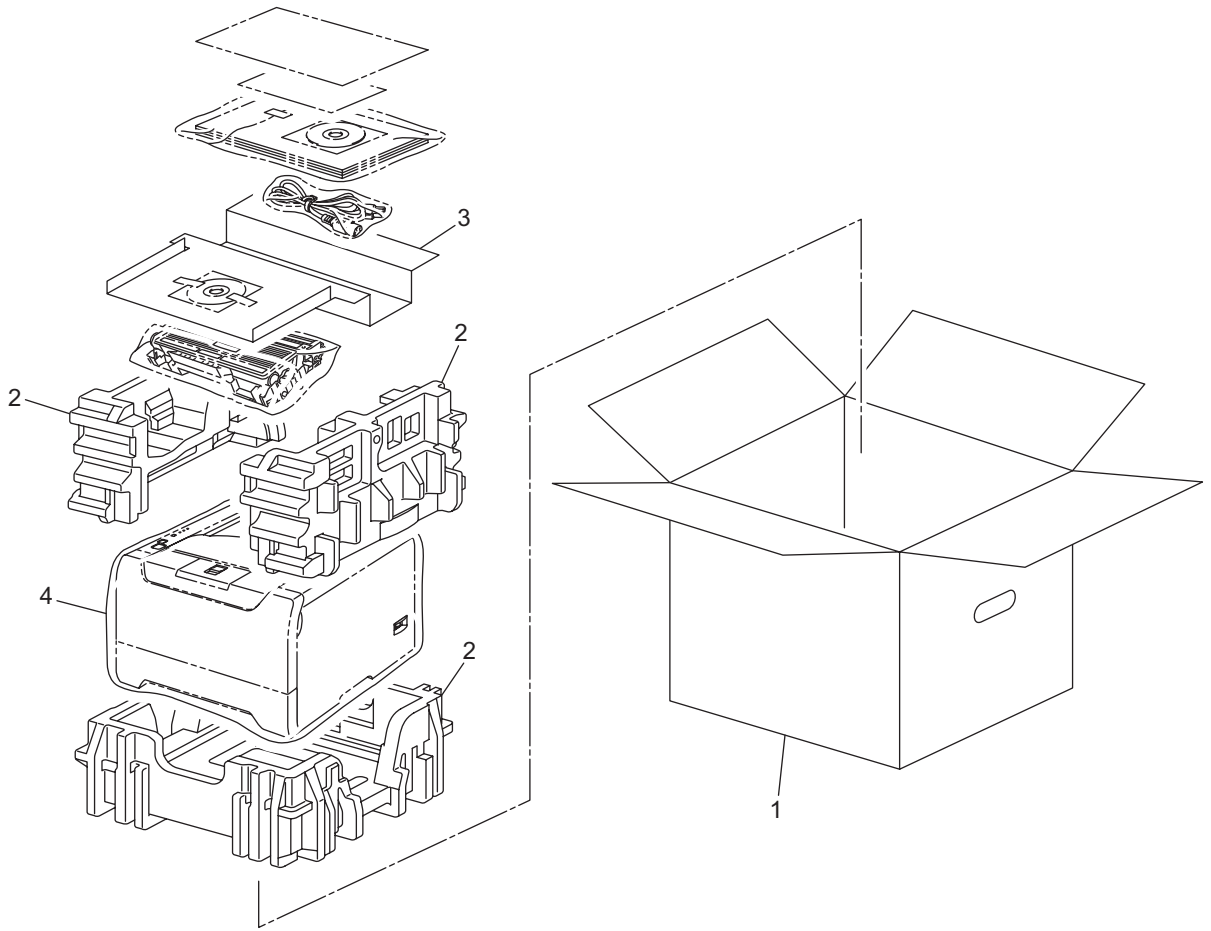
14. ACCESSORIES



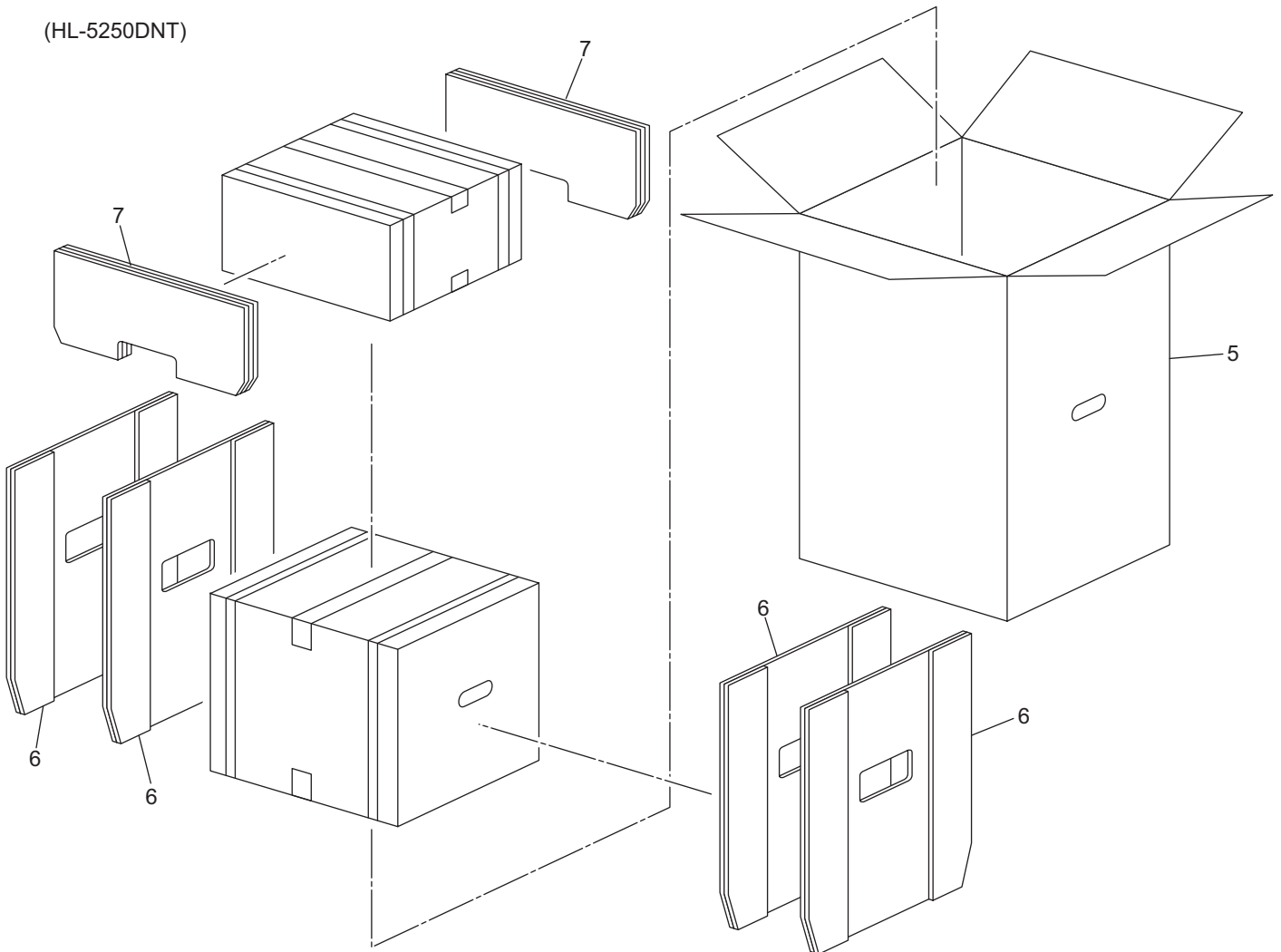
15. PACKING MATERIALS

REF No.	CODE	Q'TY	DESCRIPTION	REMARKS
1	LM5616001	1	CARTON HL-5240 US	
1	LL0943001	1	CARTON (HL-5250 US, HL-5250DN ARG/CHI, HL-5250DNT US)	
1	LM5841001	1	CARTON HL-5280DW US	
1	LM5639001	1	CARTON HL-5240 EU	
1	LU0525001	1	CARTON HL-5240L EU	
1	LM5699001	1	CARTON HL-5250DN EU	
1	LM5765001	1	CARTON HL-5270DN EU	
1	LM5837001	1	CARTON HL-5280DW EU	
1	LM5655001	1	CARTON HL-5240 CHN	
1	LM5722001	1	CARTON HL-5250DN CHN	
1	LM6786001	1	CARTON HL-5240 KOR	add
1	LU0245001	1	CARTON HL-5250DN KOR	add
1	LM6953001	1	CARTON HL-5240 IND	add
1	LM6956001	1	CARTON HL-5250DN IND	add
1	LU0052001	1	CARTON HL-5251DN COSIP ITA	add
2	LM5294001	1	POLYSTYRENE PAD ASSY AL 40/50 (HL-5240/5240L/ 5250DN/5250DNT/5251DN)	
2	LM5599001	1	POLYSTYRENE PAD ASSY AL 70/80 (HL-5270DN/5280DW)	
3	LM5298001	1	OPTION CARTON AL	
4	LJ5584001	1	BAG, 700X800H	
5	LM5826001	1	CARTON OUTER 5250DNT US	
6	LM5829001	4	PAD 5250DNT A (HL-5250DNT US)	
7	LM2042001	2	PAD 5050LT B (HL-5250DNT US)	

15. PACKING MATERIALS



(HL-5250DNT)



16. PERIODICAL MAITENANCE PARTS

REF No.	CODE	Q'TY	DESCRIPTION	REMARKS
1	LM5852001	1	ROLLER HOLDER SP ASSY	
2	LM6753001	1	MP ROLLER HOLDER SP ASSY 2	chg

16. PERIODICAL MAINTENANCE PARTS

