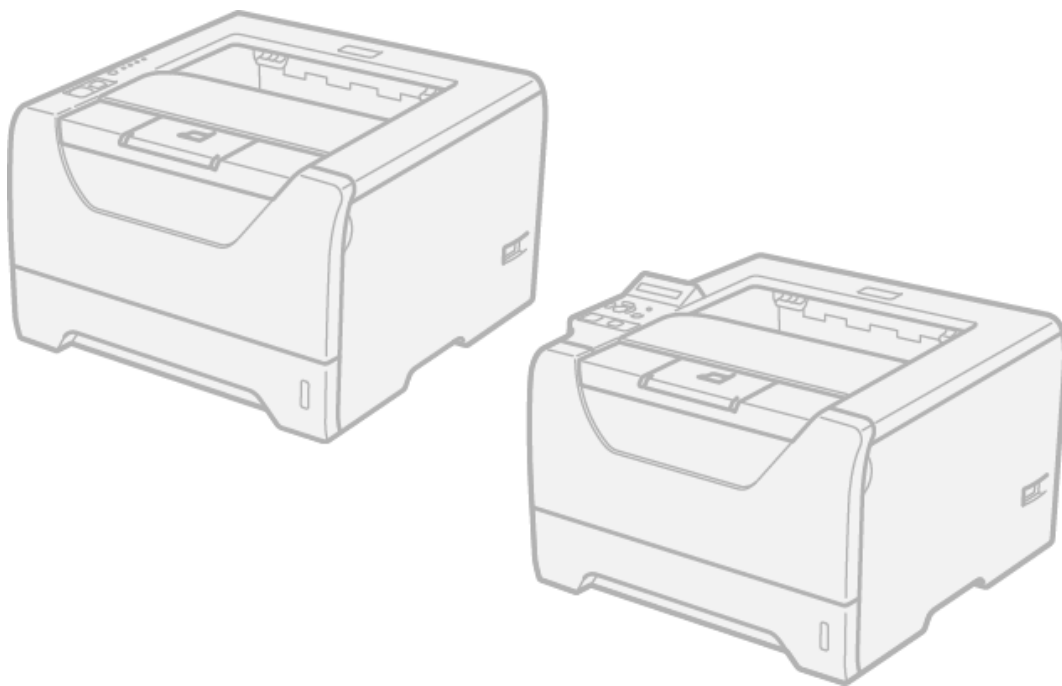




Laser Printer **PARTS REFERENCE LIST**

**MODEL: HL-5340D/5340DL/
5350DN/5350DNLT/5370DW/
5370DWT/5380DN**



Read this list thoroughly before maintenance work.

Keep this list in a convenient place for quick and easy reference at all times.

NOTE FOR USING THIS PARTS REFERENCE LIST

1. In the case of ordering parts, it is necessary to mention the following items:

- (1) Code
- (2) Q'ty
- (3) Description
- (4) Symbol (PCB No. etc.)

<Example>

	(1) CODE	(2) Q'TY	(3) DESCRIPTION	(4) SYMBOL	REMARK
REF.NO.					

Revision No.: marked on the **main printed circuit board (Main PCB)**

B48K056

----- Circuit board No.

2. Design-changed parts:

If any of the parts is changed, one of the following symbols is indicated in the REMARK column.

CHG (chg): The part is changed for a new one.

ADD (add): The part is newly added.

DEL (del): The part is deleted.

Symbol in capital letters indicates the latest parts change information in the page.

3. The original parts reference list is based on the information available in December 2008.

4. Parts are subject to change in design without prior notice.

COUNTRIES AND AREAS

ARG: Argentina	ISR: Israel
ARL: Australia/New Zealand	ITA: Italy
BRZ: Brazil	KOR: Korea
CAN: Canada	PAN-NOR: PAN-NORDIC (Norway/Finland/Denmark/Sweden)
CEE-GENERAL: Bulgaria/Czech/Hungary/Poland/Romania/ Slovakia	PHL: Philippines
CHI: Chile	RUS: Russia
CHN: China	SGP: Singapore
EUR: Europe	SPA: Italy/Spain/Portugal
FRA: France/Belgium/Holland	SWI: Switzerland
GER: Germany	TUR: Turkey
GULF: Gulf	TWN: Taiwan
IBERIA: Spain/Portugal	UK: U.K.
IND: India	US: U.S.A.

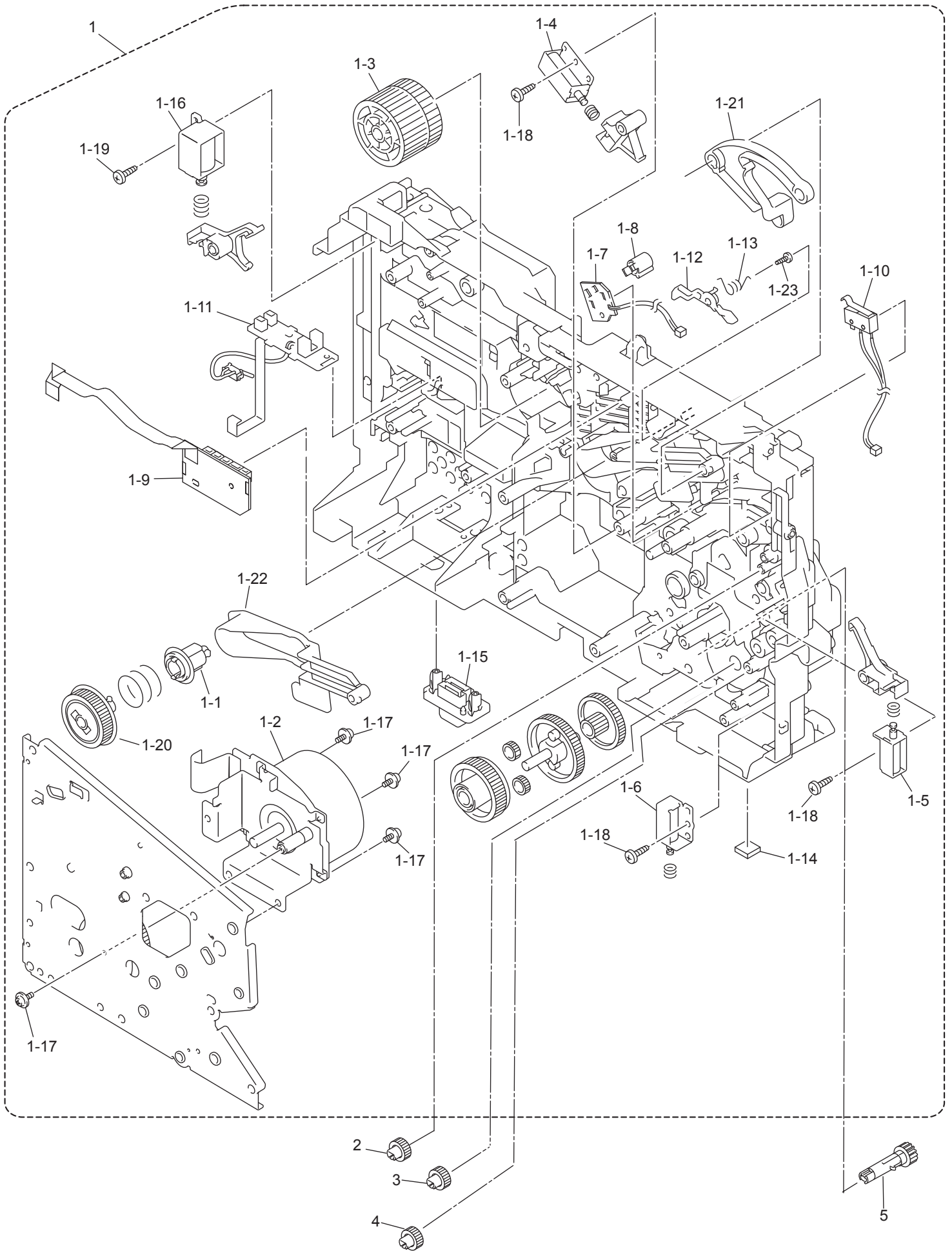
LANGUAGES

BUL: Bulgarian
CZE: Czech
DEN (DAN): Danish
DUT: Dutch
ENG: English
FIN: Finnish
FRE: French
GER: German
HUN: Hungarian
ITA: Italian
NOR: Norwegian
POL: Polish
POR: Portuguese
ROM: Romanian
RUS: Russian
SPA: Spanish
SVK: Slovak
SWE: Swedish

CONTENTS

1.	<u>FRAME L&DRIVE UNIT</u>	1
2.	<u>FRAME UNIT</u>	3
3.	<u>LASER UNIT</u>	5
4.	<u>PAPER FEEDER</u>	7
5.	<u>DX</u>	9
6.	<u>PAPER TRAY</u>	11
7.	<u>FUSER UNIT</u>	13
8.	<u>COVERS&LABELS</u>	15
9.	<u>MAIN PCB</u>	17
10.	<u>LVPS</u>	19
11.	<u>HVPS</u>	21
12.	<u>AC CORDS</u>	23
13.	<u>ACCESSORIES</u>	25
14.	<u>PACKING MATERIALS</u>	28
15.	<u>PERIODICAL MAINTENANCE PARTS</u>	30
16.	<u>LT</u>	32

1. FRAME L&DRIVE UNIT

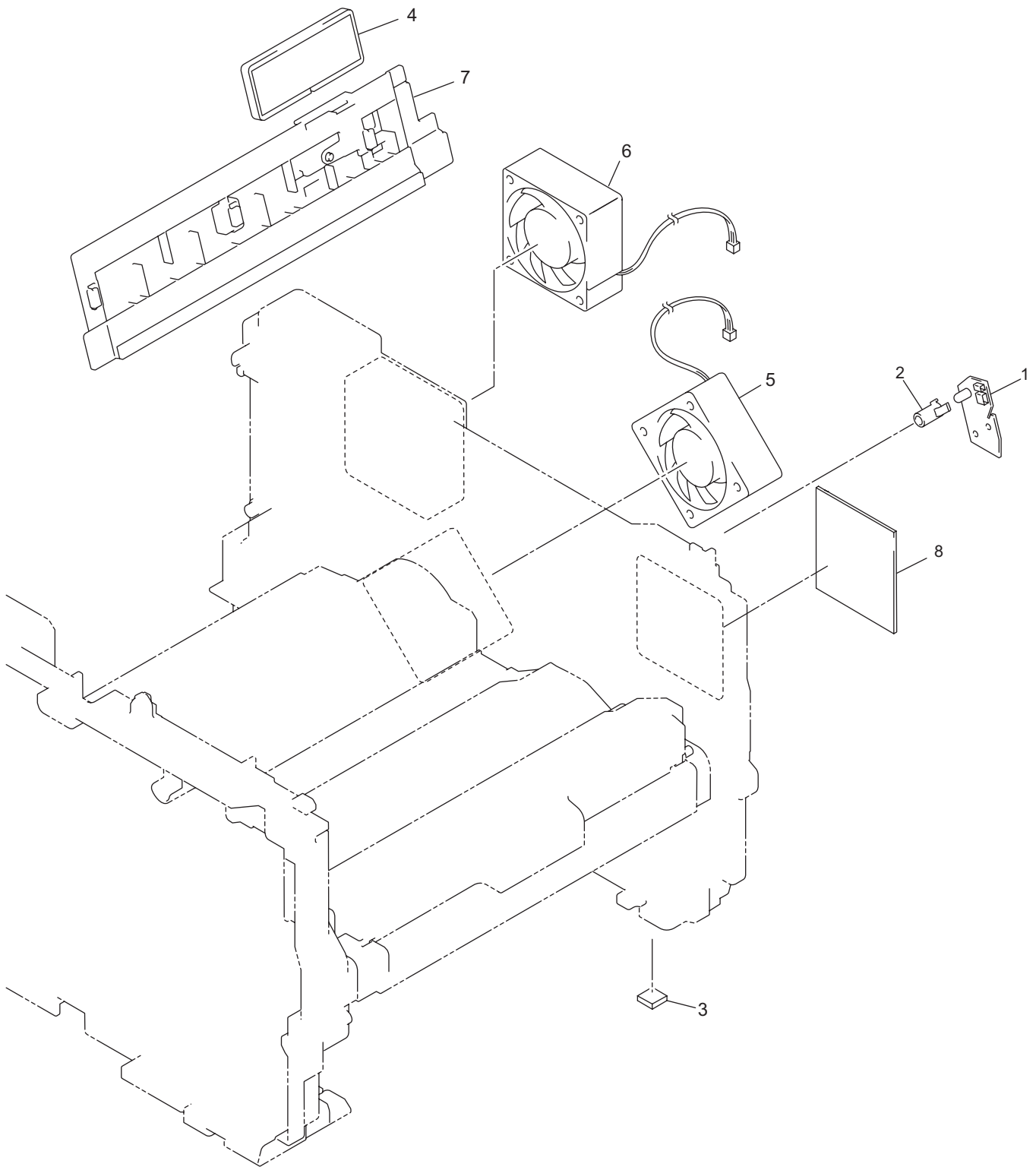


1. FRAME L&DRIVE UNIT

REF No.	CODE	Q'TY	DESCRIPTION	REMARKS
1	LU8068001	1	MAIN FRAME L UNIT, HL-5340D/5340DL, HL-5340D RUS TENDER	CHG
1	LU8070001	1	MAIN FRAME L UNIT 70, HL-5370DW/5370DWT	CHG
1	LU8069001	1	MAIN FRAME L UNIT 80, HL-5350DN/5350DNL/5380DN/5380DN-MOF	CHG
1-1	LU7214001	1	DEVELOP JOINT	
1-2	LM5047001	1	MAIN MOTOR ASSY	
1-3	LM5048001	1	FUSER GEAR 39 H/R DRIVE	
1-4	LM5058001	1	REGISTER SOLENOID ASSY	
1-5	LM5062001	1	MP SOLENOID ASSY	
1-6	LM5067001	1	T1 SOLENOID ASSY	
1-7	LJ9935001	1	TONER SENSOR PCB ASSY	
1-8	UL9037001	1	PT SENSOR HOLDER	
1-9	LV0690001	1	RELAY FRONT PCB ASSY	CHG
1-10	LJ9940001	1	INTERLOCK SW ASSY	
1-11	LJ9942001	1	RELAY REAR PCB ASSY	
1-12	LM5085001	1	NEW TONER ACTUATOR	
1-13	LM5086001	1	NEW TONER ACTUATOR SPRING	
1-14	LJ7403001	1	RUBBER FOOT	
1-15	LJ9945001	1	CONNECTOR 54702-1219	
1-16	LM5011001	1	EJECTOR SOLENOID	
1-17	087320616	4	TAPTITE CUP S M3x6	
1-18	085311016	3	TAPTITE BIND B M3x10	
1-19	085311016	1	TAPTITE BIND B M3x10	
1-20	LM5043001	1	DEV GEAR 37R JOINT DRIVE	
1-21	LM5080001	1	DRIVE RELEASE LINK	
1-22	LM5079001	1	DRIVE RELEASE CAM	add
1-23	087210616	1	TAPTITE CUP B M2X6	add
2	LM5104001	1	GEAR 17 MP ROLLER DRIVE	
3	LM5103001	1	GEAR 20 T1 ROLLER DRIVE	
4	LM5102001	1	GEAR 17 FEED ROLLER DRIVE	add
5	LM5051001	1	DX GEAR 15 TRAY DRIVE	ADD

HL-5340D/5340DL/5350DN/
5350DNL/5370DW/
5370DWT/5380DN

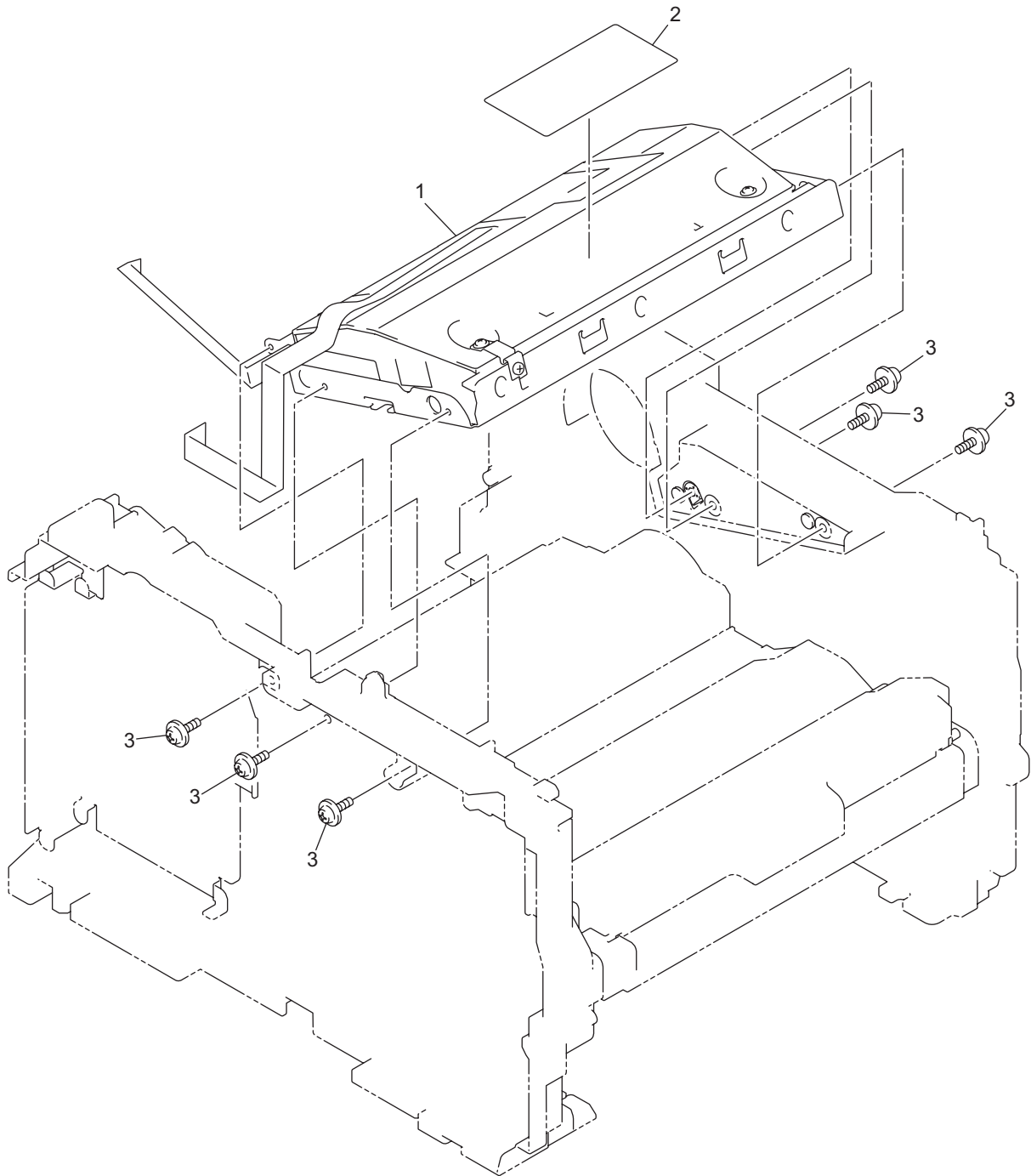
2. FRAME UNIT



2. FRAME UNIT

REF No.	CODE	Q'TY	DESCRIPTION	REMARKS
1	LV0282001	1	TONER LED PCB ASSY	CHG
2	LM4267001	1	LED HOLDER	
3	LJ7403001	1	RUBBER FOOT	
4	LU7141001	1	FILTER	
5	LM5114001	1	FAN MOTOR 60 UNIT LV	
6	LU7032001	1	FAN MOTOR 60 UNIT	
7	LM6655001	1	AIR DUCT JPN ASSY AL	chg
8	LT0963001	1	PCB T60H989.00 ASSY 05, HL-5370DW/5370DWT	chg

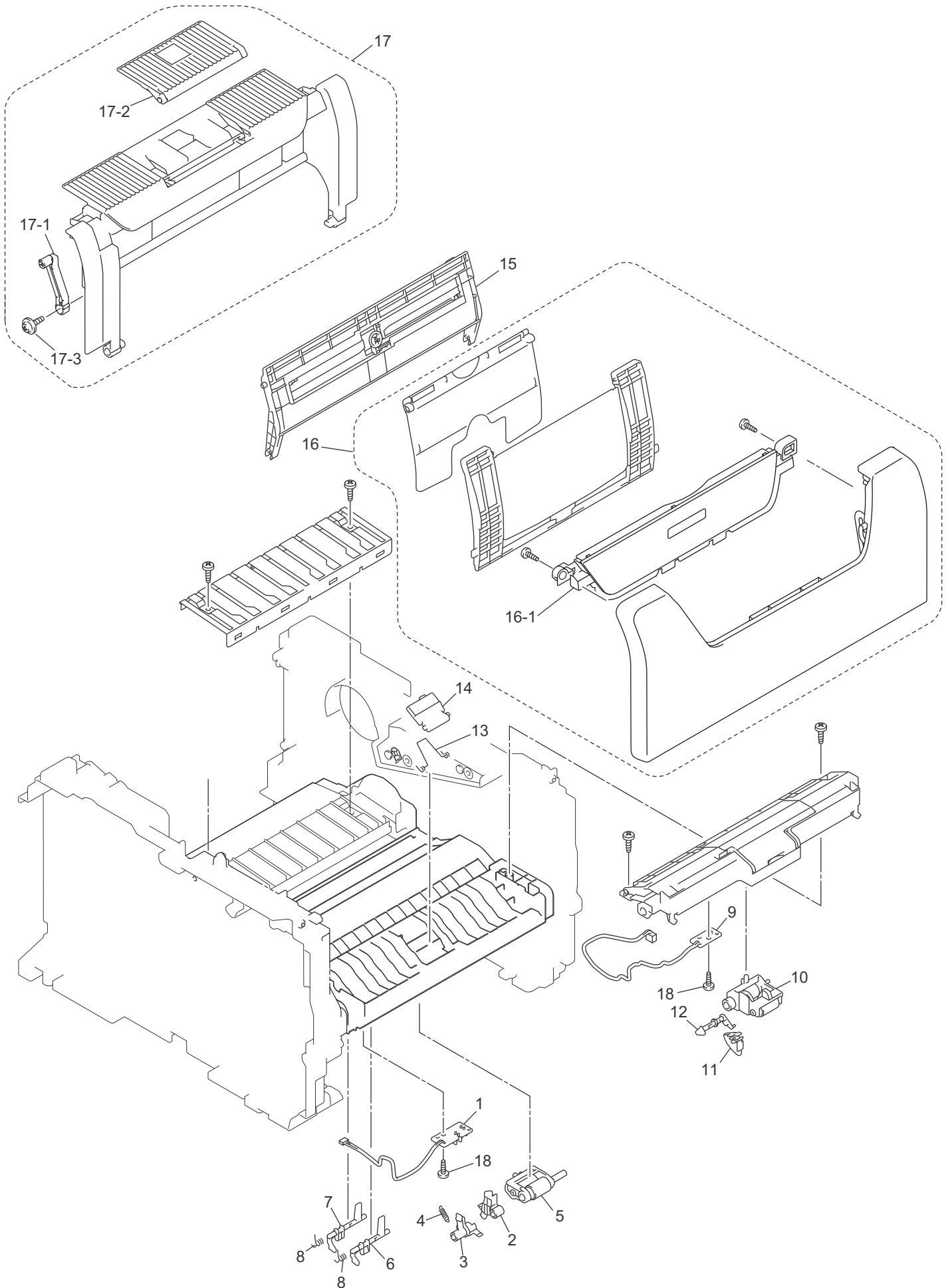
3. LASER UNIT



3. LASER UNIT

REF No.	CODE	Q'TY	DESCRIPTION	REMARKS
1	LU7176001	1	LASER UNIT (SP)	
2	LJ0908001	1	LASER CAUTION LABEL B EXCEPT FOR CHN	
2	UL7931001	1	LASER CAUTION LABEL FOR CHN	
3	087320616	6	TAPTAITE CUP S M3x6	

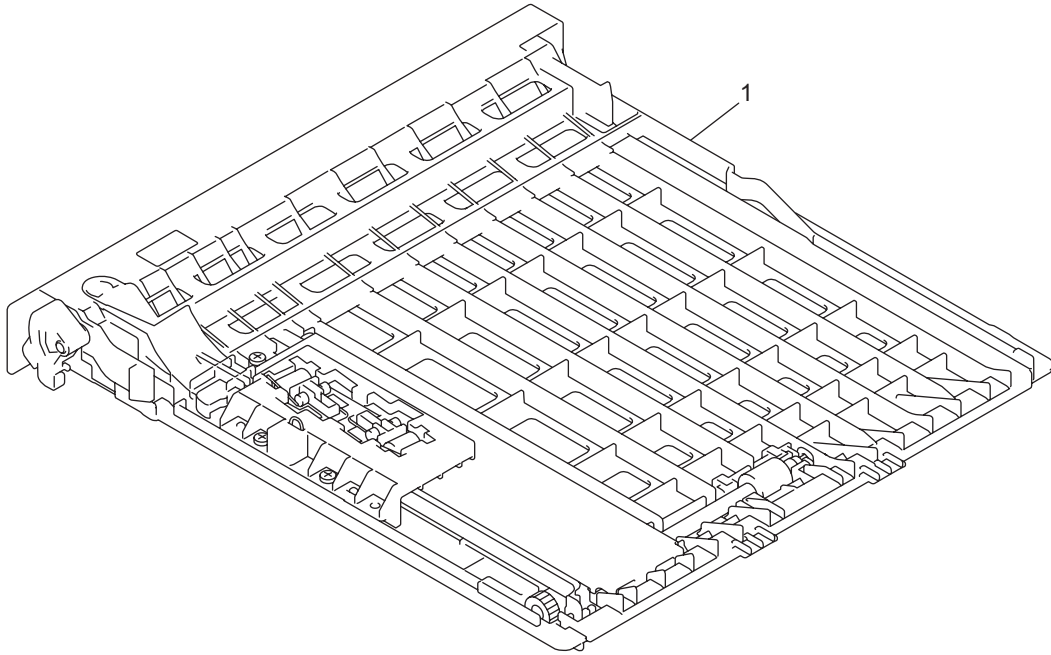
4. PAPER FEEDER



4. PAPER FEEDER

REF No.	CODE	Q'TY	DESCRIPTION	REMARKS
1	LM9001001	1	PE EG SENSOR ASSY	
2	LU7935001	1	PE ACTUATOR ASSY	CHG
3	LM5132001	1	EDGE ACTUATOR	
4	LM5133001	1	EDGE ACTUATOR SPRING	
5	LU7179001	1	ROLLER HOLDER ASSY	
6	LM5150001	1	REGIST ACTUATOR FRONT	
7	LM5151001	1	REGIST ACTUATOR REAR	
8	LM5152001	2	REGIST ACTUATOR SPRING	
9	LJ9999001	1	MP PE SENSOR ASSY	
10	LU7184001	1	MP ROLLER HOLDER ASSY	
11	LM5171001	1	PE ACTUATOR MP	
12	LU0027001	1	PE ACTUATOR MP B 2	
13	LM6490001	1	MP SEPARATION SPRING A	
14	LM6752001	1	SEPARATION PAD ASSY MP 2	
15	LM5196005	1	TRAY MP ASSY	
16	LU7147001	1	MP TRAY COVER ASSY, HL-5340D/5340DL, HL-5340D RUS TENDER	
16	LU7035001	1	MP TRAY COVER ASSY, HL-5350DN/5350DNLT/5370DW/5370DWT/5380DN/5380DN-MOF	
16-1	LU7319001	1	EMBLEM COVER ASSY, HL-5340D/5340DL, HL-5340D RUS TENDER	
16-1	LU7206001	1	EMBLEM COVER ASSY, HL-5350DN/5350DNLT/5370DW/5370DWT/5380DN/5380DN-MOF	
17	LU7037001	1	PROCESS COVER ASSY EXCEPT FOR CHN/IND	
17	LU7527001	1	PROCESS COVER ASSY FOR CHN	
17	LU7689001	1	PROCESS COVER ASSY FOR IND	
17-1	LM5124001	1	PROCESS COVER STOPPER	
17-2	LU7039001	1	SUPPORT FLAP 1	
17-3	087411016	1	TAPTITE CUP B M4X10	
18	085310816	2	TAPTITE BIND B M3x8	

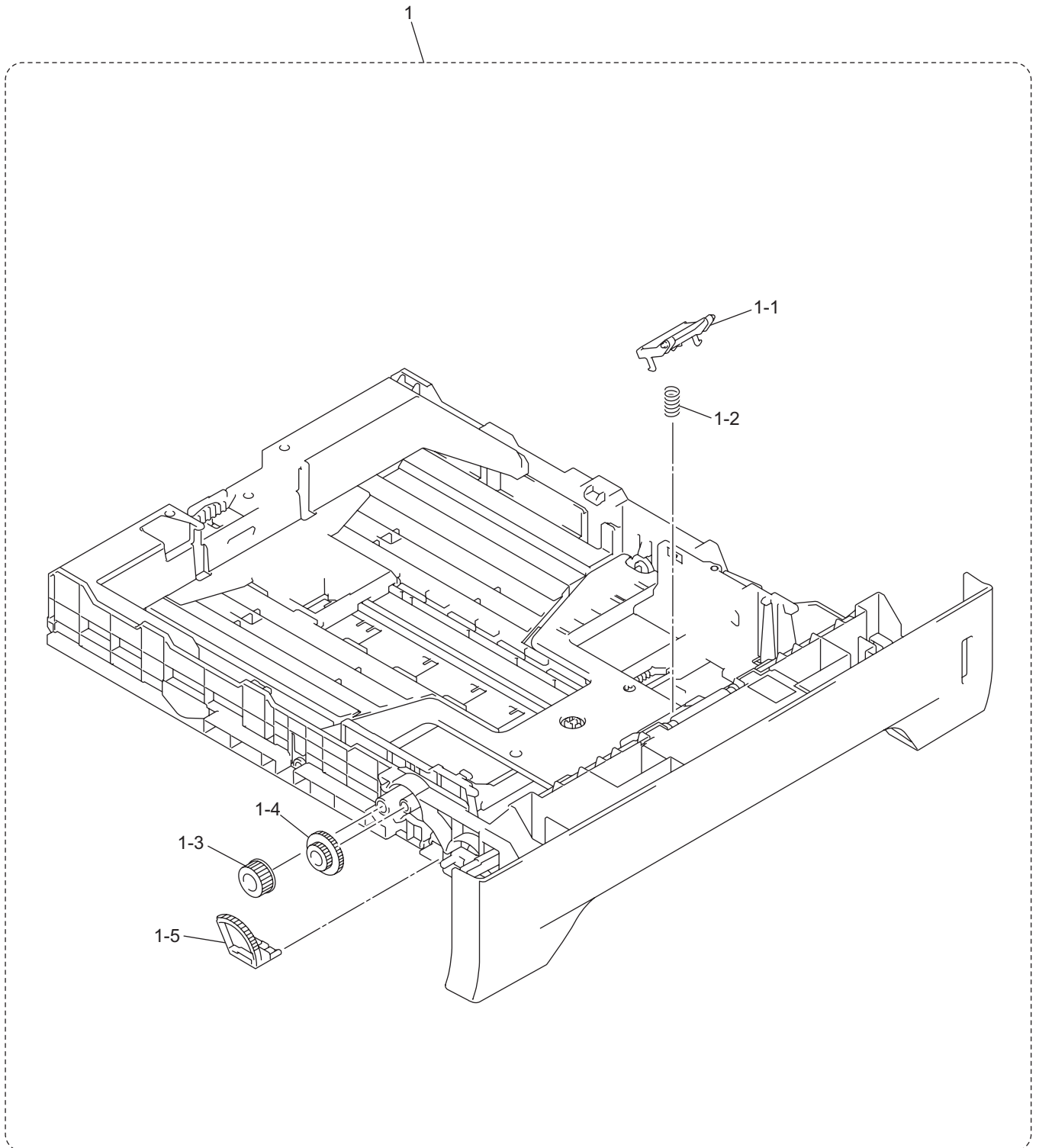
HL-5340D/5340DL/5350DN/
5350DNLT/5370DW/
5370DWT/5380DN



5. DX

REF No.	CODE	Q'TY	DESCRIPTION	REMARKS
1	LM5209001	1	DX FEED ASSY LTR AL FOR US/CAN/PHL/ARG/CHI/BRZ	
1	LU7503001	1	DX FEED ASSY A4 ALE EXCEPT FOR US/CAN/PHL/ARG/CHI/BRZ	

6. PAPER TRAY



6. PAPER TRAY

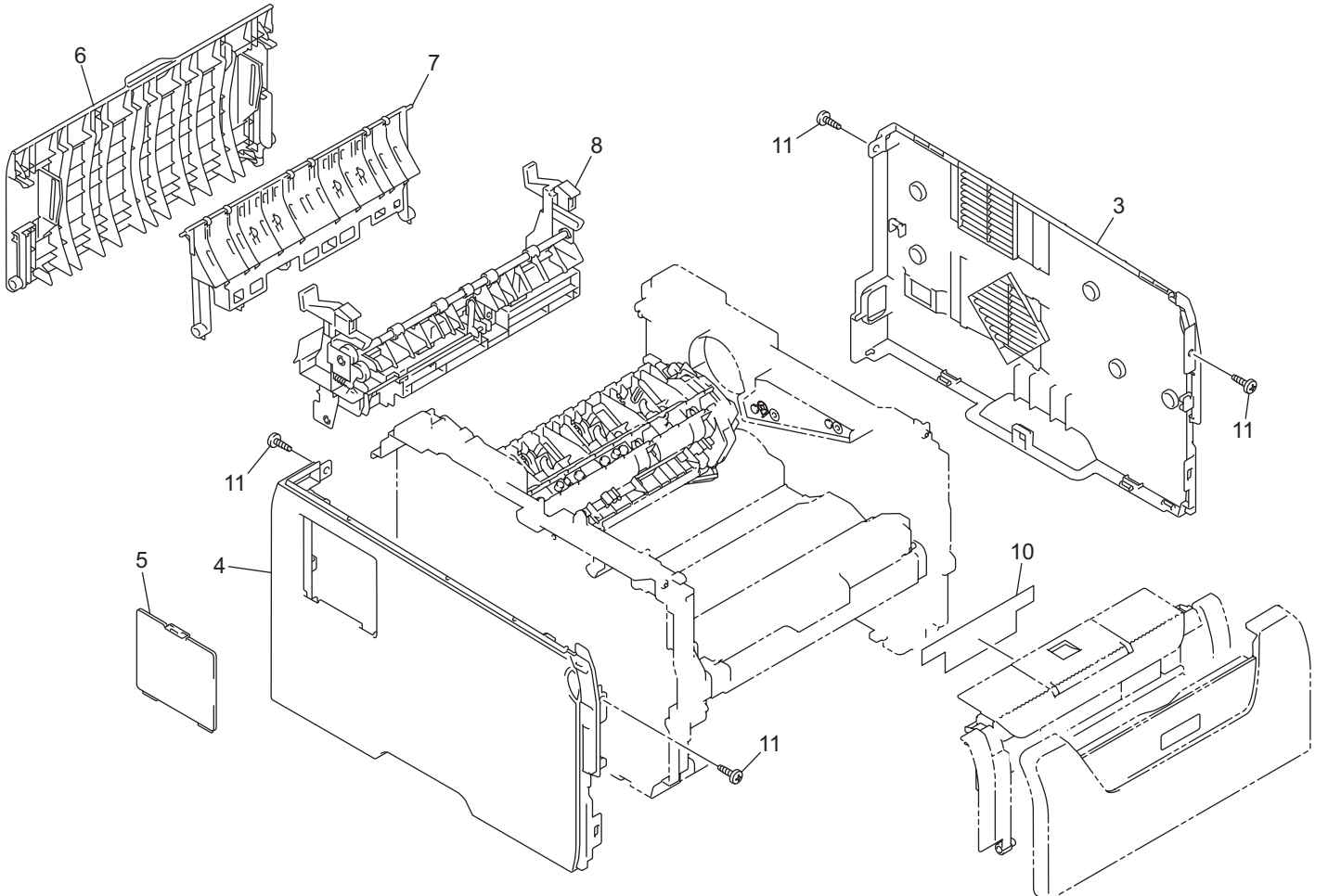
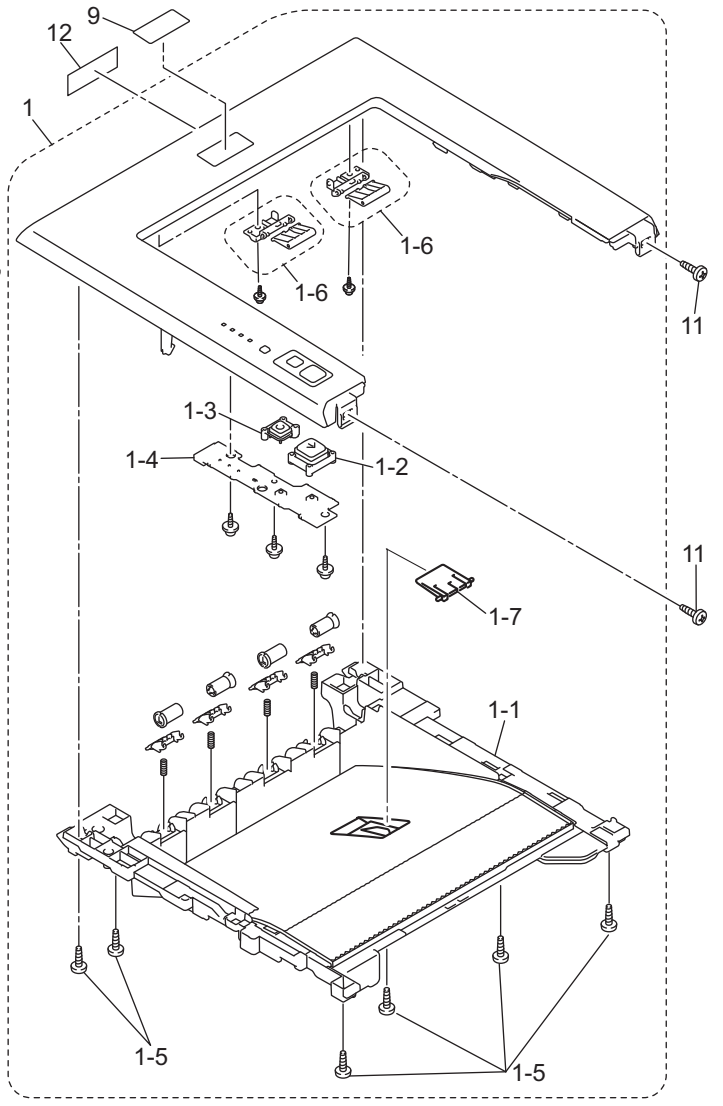
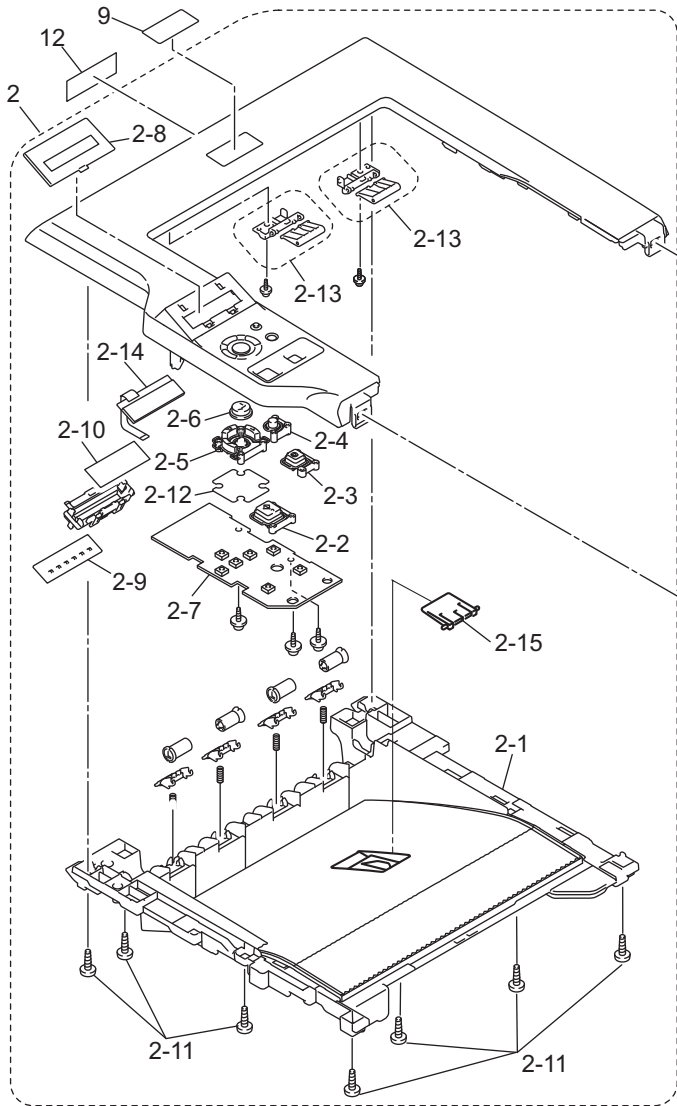
REF No.	CODE	Q'TY	DESCRIPTION	REMARKS
1	LU7198001	1	PAPER TRAY UNIT UNIV ALE, HL-5340D/5350DN/5370DW/5370DWT/ 5380DN FOR US/CAN/PHL/ARG/CHI/BRZ/IND	
1	LU7203001	1	PAPER TRAY UNIT A4 ALE, HL-5340D/5340DL/5350DN/5350DNLT/5370DW/5380DN EXCEPT FOR US/CAN/PHL/ARG/CHI/BRZ/IND, HL-5380DN-MOF, HL-5340D RUS TENDER	
1-1	LM5237001	1	SEPARATION PAD ASSY	
1-2	LM5239001	1	SEPARATION PAD SPRING	
1-3	LM5245001	1	GEAR 15	
1-4	LM5246001	1	GEAR 21-16	
1-5	LM5247001	1	LIFT GEAR 46	

HL-5340D/5340DL/5350DN/
5350DNLT/5370DW/
5370DWT/5380DN

7. FUSER UNIT

REF No.	CODE	Q'TY	DESCRIPTION	SYMBOL	REMARKS
1	LU8233001	1	FUSER UNIT 115V (SP)		CHG
1	LU8236001	1	FUSER UNIT 230V (SP)		CHG
1-1	LU7078001	4	PRESSURE SPRING		
1-2	LU7154001	4	EJECT PINCH ROLLER M		del

8. COVERS&LABELS

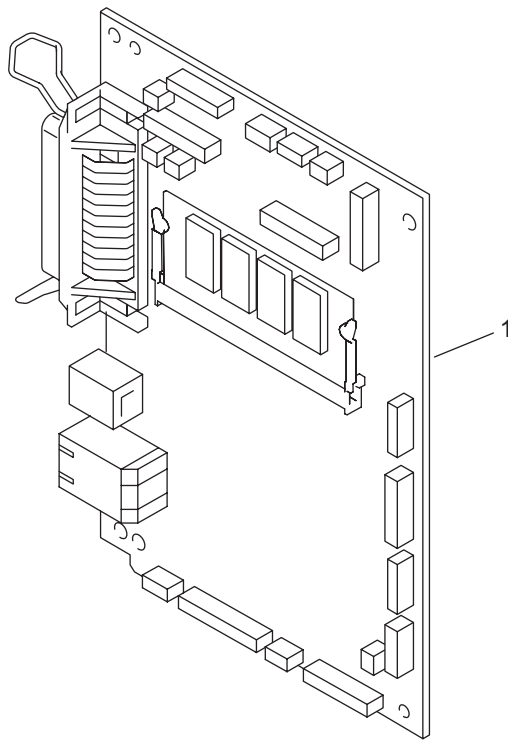
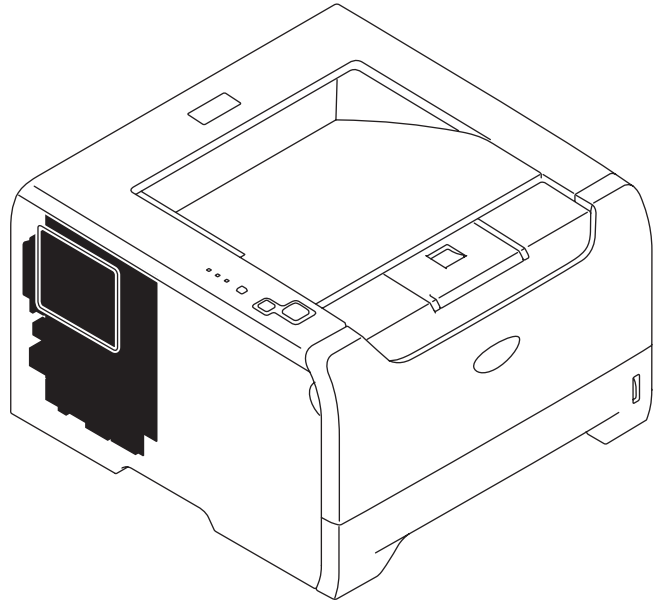


8. COVERS&LABELS

REF No.	CODE	Q'TY	DESCRIPTION	REMARKS
1	LU7040001	1	TOP COVER ASSY, HL-5340D/5340DL/5350DN/5350DNLT/5370DW/5370DWT, HL-5340D RUS TENDER	
1-1	LU7044001	1	INNER CHUTE	
1-2	LM5083001	1	SW KEY A, HL-5340D/5340DL/5350DN/5350DNLT/5370DW/5370DWT, HL-5340D RUS TENDER	
1-3	LM5084001	1	SW KEY B, HL-5340D/5340DL/5350DN/5350DNLT/5370DW/5370DWT, HL-5340D RUS TENDER	
1-4	LV0286001	1	PANEL PCB ASSY, HL-5340D/5340DL/5350DN/5350DNLT/5370DW/5370DWT, HL-5340D RUS TENDER	
1-5	085411216	6	TAPTITE BIND B M4x12	
1-6	LU7312001	2	PAPER STACK LEVER SP ASSY, HL-5340D/5340DL/5350DN/5350DNLT/5370DW/5370DWT, HL-5340D RUS TENDER	
1-7	LU7118001	1	SUPPORT FLAP 2	
2	LU7148001	1	TOP COVER ASSY ALE LCD, HL-5380DN/5380DN-MOF	
2-1	LU7044001	1	INNER CHUTE	
2-2	LM5530001	1	SW KEY A, HL-5380DN/5380DN-MOF	
2-3	LM5531001	1	SW KEY B, HL-5380DN/5380DN-MOF	
2-4	LM5532001	1	SW KEY C, HL-5380DN/5380DN-MOF	
2-5	LM5635001	1	SET KEY PRINTED ASSY, HL-5380DN/5380DN-MOF	
2-6	LM5534001	1	KEY TOP, HL-5380DN/5380DN-MOF	
2-7	LM9041001	1	LCD PANEL PCB ASSY, HL-5380DN/5380DN-MOF	
2-8	LU7153001	1	PANEL PLATE PRINTED ASSY 5380, HL-5380DN/5380DN-MOF	
2-9	LM9043001	1	BACK LIGHT PCB ASSY, HL-5380DN/5380DN-MOF	
2-10	LE7130001	1	BACK LIGHT FILM, HL-5380DN/5380DN-MOF	
2-11	085411216	7	TAPTITE BIND B M4x12	
2-12	LM5882001	1	SET KEY FILM, HL-5380DN/5380DN-MOF	
2-13	LU7312001	2	PAPER STACK LEVER SP ASSY, HL-5380DN/5380DN-MOF	
2-14	LG6059001	1	LCD, HL-5380DN/5380DN-MOF	
2-15	LU7118001	1	SUPPORT FLAP 2	
3	LM5778001	1	SIDE COVER R ASSY	
4	LM5780001	1	SIDE COVER L ASSY, HL-5340D/5340DL/5350DN/5350DNLT/5370DW/5370DWT, HL-5340D RUS TENDER	
4	LM5779001	1	SIDE COVER L 2 ASSY, HL-5380DN	
4	LU7820001	1	SIDE COVER L ASSY, HL-5380DN-MOF	
5	LM5273001	1	ACCESS COVER	
6	LU7046001	1	BACK COVER	
7	LU7047001	1	OUTER CHUTE ASSY	
8	LU7126001	1	REAR CHUTE ASSY	
9	LU7100001	1	MODEL PLATE 5340D	
9	LU8288001	1	MODEL PLATE 5340DL	
9	LU7299001	1	MODEL PLATE 5350DN	
9	LU7131001	1	MODEL PLATE 5370DW/5370DWT	
9	LU7132001	1	MODEL PLATE 5380DN/5380DN-MOF	
10	LU7108001	1	PROCESS UNIT OP LABEL US, HL-5340D/5350DN/5370DW/ 5370DWT FOR US/CAN/TWN/ARG/CHI/BRZ	
10	LU7301001	1	PROCESS UNIT OP LABEL EUR, HL-5340D/5340DL/5350DN/ 5350DNLT/5370DW FOR GER/UK/SWI/ITA/SPA/ISR/RUS/ PAN-NOR/FRA/IBERIA/CEE-GENERAL, HL-5340D RUS TENDER	
10	LU7497001	1	PROCESS UNIT OP LABEL AP, HL-5340D/5350DN/5370DW FOR ARL/PHL/TUR/GULF/SGP/KOR/IND	
10	LU7525001	1	PROCESS UNIT OP LABEL CHN, FOR CHN	
10	LU7341001	1	PROCESS UNIT OP LABEL 5380 EUR, HL-5380DN FOR GER/UK/SWI/ITA/ISR/PAN-NOR/FRA/IBERIA/CEE-GENERAL, HL-5380DN-MOF	
10	LU7496001	1	PROCESS UNIT OP LABEL 5380 AP, HL-5380DN FOR ARL/PHL/TUR/GULF/SGP/KOR	
11	085411216	6	TAPTITE BIND B M4x12	
12	LU7303001	1	FUSER CAUTION LABEL	

HL-5340D/5340DL/5350DN/
5350DNLT/5370DW/
5370DWT/5380DN

9. MAIN PCB

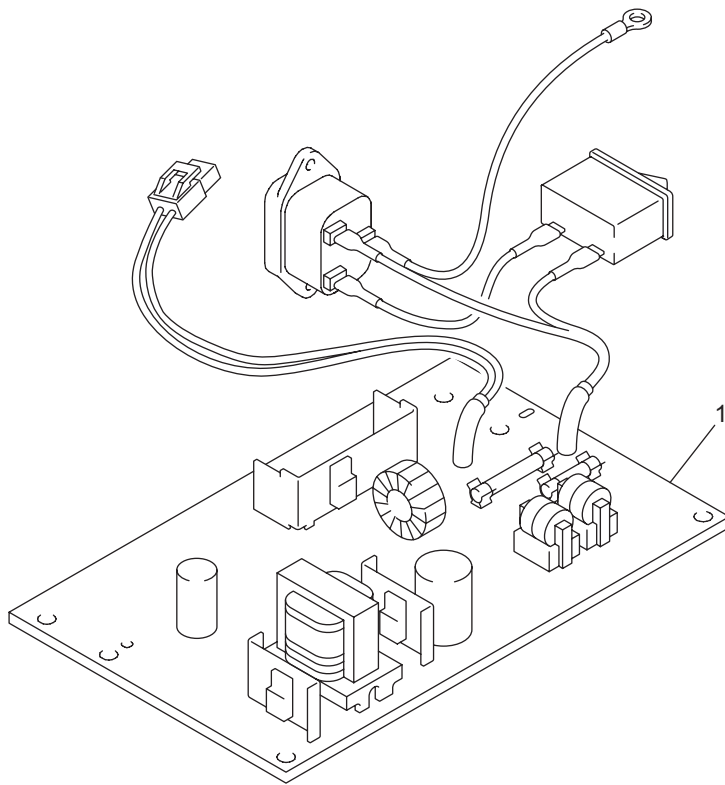
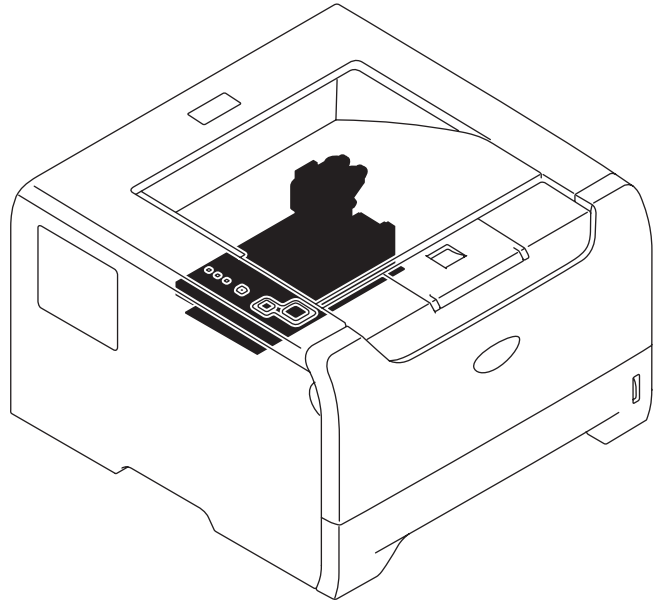


9. MAIN PCB

REF No.	CODE	Q'TY	DESCRIPTION	SYMBOL	REMARKS
1	LV0226001	1	MAIN PCB ASSY 5340D/5340DL EXCEPT FOR CHN/IND, HL-5340D RUS TENDER	B512291	
1	LV0390001	1	MAIN PCB ASSY 5340D FOR CHN	B512291	
1	LV0448001	1	MAIN PCB ASSY 5340D FOR IND	B512291	ADD
1	LV0344001	1	MAIN PCB ASSY 5350DN/5350DNLT EXCEPT FOR CHN/IND	B512291	
1	LV0391001	1	MAIN PCB ASSY 5350DN FOR CHN	B512291	
1	LV0449001	1	MAIN PCB ASSY 5350DN FOR IND	B512291	ADD
1	LV0313001	1	MAIN PCB ASSY 5370DW/5370DWT FOR US/CAN/BRZ	B512291	
1	LV0359001	1	MAIN PCB ASSY 5370DW EXCEPT FOR US/CAN/CHN/BRZ	B512291	
1	LV0424001	1	MAIN PCB ASSY 5370DW FOR CHN	B512291	
1	LV0314001	1	MAIN PCB ASSY 5380DN/5380DN-MOF	B512291	

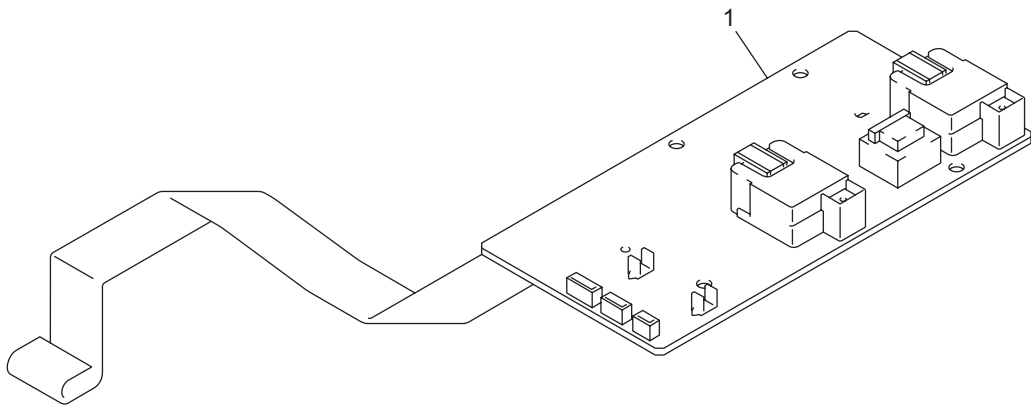
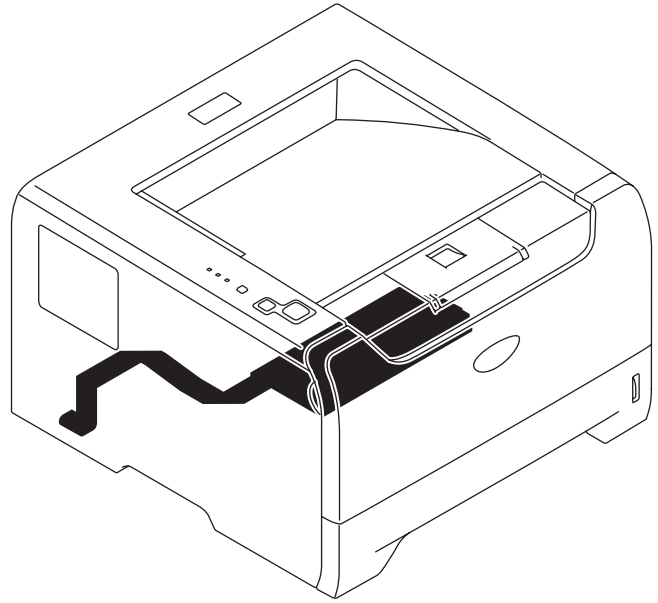
HL-5340D/5340DL/5350DN/
5350DNLT/5370DW/
5370DWT/5380DN

10. LVPS



10. LVPS

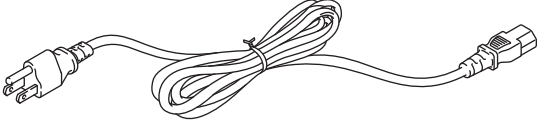


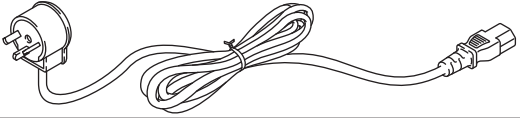

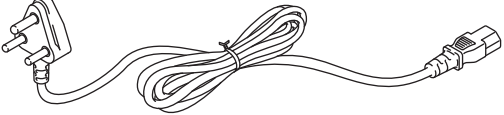
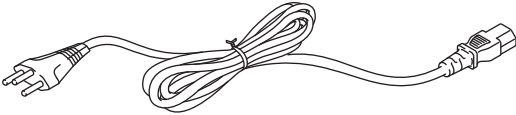

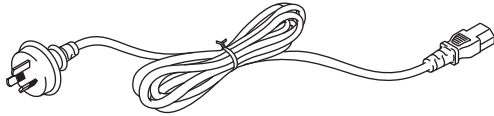
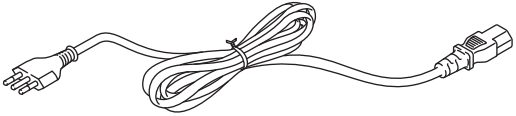
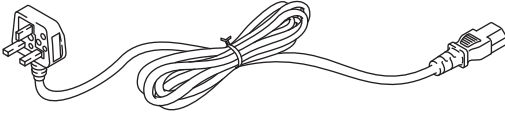
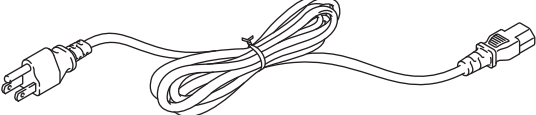


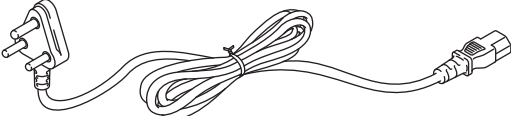
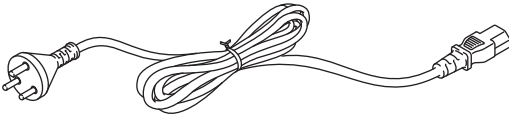
REF No.	CODE	Q'TY	DESCRIPTION	REMARKS
1	LV0292001	1	PS PCB UNIT 115V EXCEPT FOR TWN	ADD
1	LV0551001	1	PS PCB UNIT 115V FOR TWN	
1	LV0328001	1	PS PCB UNIT 230V EXCEPT FOR CHN/IND/KOR/RUS	
1	LU7519001	1	PS PCB UNIT 230V FOR CHN/IND/RUS	
1	LV0437001	1	PS PCB UNIT 230V FOR KOR	



11. HVPS

REF No.	CODE	Q'TY	DESCRIPTION	REMARKS
1	LJ9978001	1	HIGH-VOLTAGE PS PCB ASSY	

12. AC CORDS

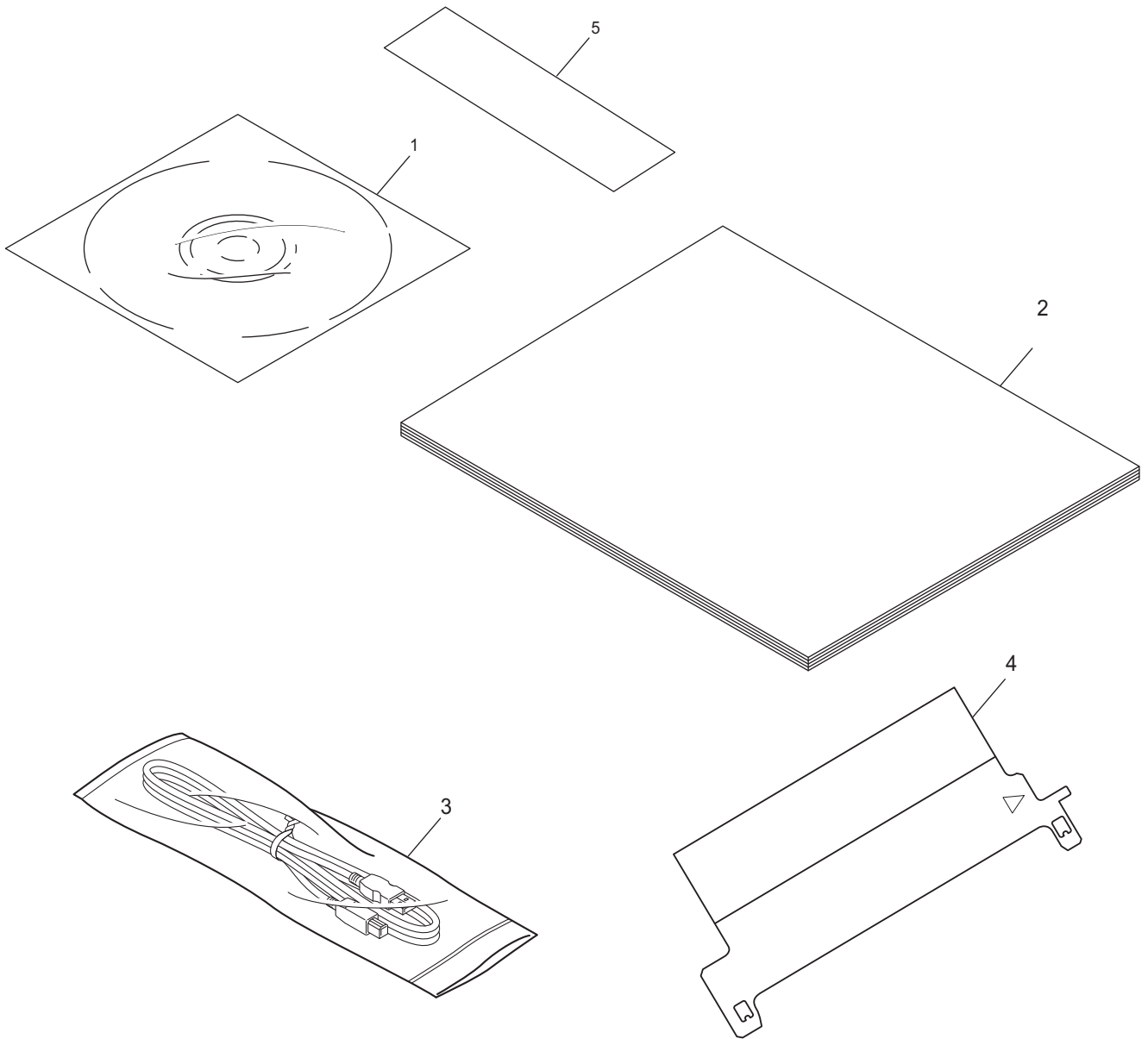
1A		1K	
1B		1L	
1C		1M	
1D		1N	
1E		1P	
1F		1Q	
1G		1R	
1H			
1J			

12. AC CORD

REF No.	CODE	Q'TY	DESCRIPTION	REMARKS
1A	LJ9271001	1	AC CORD ASSY LF UL/CSA 10A, HL-5340D/5350DN FOR US	
1B	LV0421001	1	AC CORD BAG ASSY LF UL/CSA, HL-5370DW/5370DWT FOR US/CAN	
1C	LV0363001	1	AC CORD ASSY LF VDE S	chg
1D	LV0946001	1	AC CORD ASSY LF SEV	chg
1E	LV0365001	1	AC CORD LF SAA S	chg
1F	LV0367001	1	AC CORD ASSY LF BS/PSB	chg
1G	LV1092001	1	AC CORD ASSY LF CHN S	CHG
1H	LJ9295001	1	AC CORD ASSY LF SOUTH AFRICA	
1J	LJ9256001	1	AC CORD ASSY LF DEMKO	
1K	LJ9294001	1	AC CORD ASSY LF CHILE	
1L	LM9288001	1	AC CORD ASSY LF ISRAEL	
1M	LV0213001	1	AC CORD ASSY LF IND	
1N	LV0377001	1	AC CORD ASSY LF IRAM	
1P	LT2345001	1	AC CORD ASSY LF BRZ N	chg
1Q	LM9147001	1	AC CORD ASSY LF TWN	
1R	LV0392001	1	AC CORD ASSY LF KOR	

HL-5340D/5340DL/5350DN/
5350DNLT/5370DW/
5370DWT/5380DN

13. ACCESSORIES



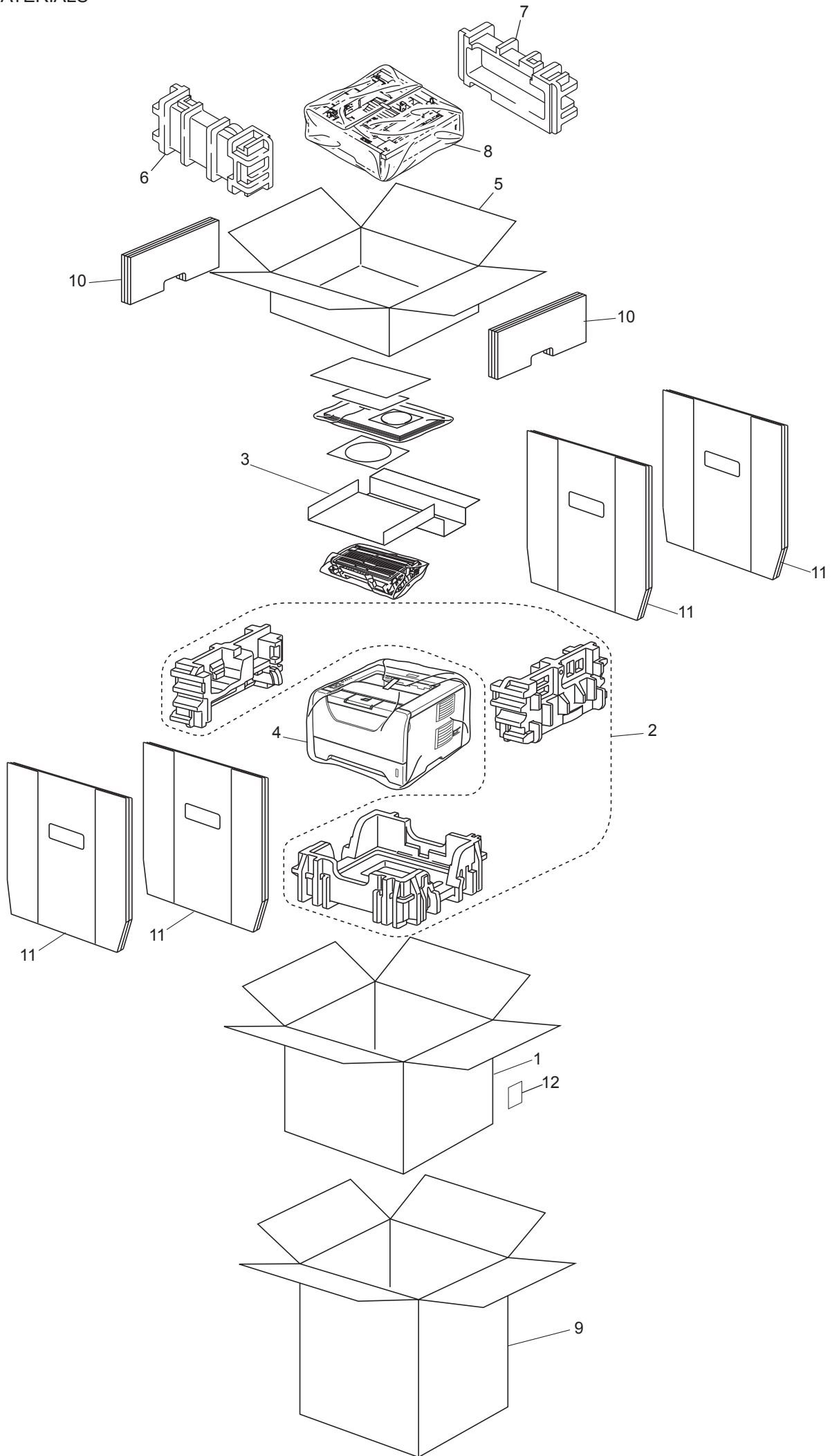
13. ACCESSORIES

REF No.	CODE	QTY	DESCRIPTION	REMARKS
1	LU7298001	1	CD ASSY FOR TWN	
1	LU7159001	1	CD ASSY EXCEPT FOR TWN/CHN/TUR/KOR/RUS/CEE-GENERAL	
1	LU7161001	1	CD ASSY FOR CHN	
1	LU7160001	1	CD ASSY FOR TUR/RUS/CEE-GENERAL	
1	LU7296001	1	CD ASSY FOR KOR	
1	LU7854001	1	CD ASSY WIN7 FOR TWN (Windows7)	add
1	LU7849001	1	CD ASSY WIN7 EXCEPT FOR TWN/CHN/TUR/KOR/RUS/CEE-GENERAL , HL-5340D/5350DN/5350DNLT/5370DW/5380DN EXCEPT FOR GER/UK/SWI/CHN/TWN/TUR/FRA/RUS/IBERIA/CEE-GENERAL, HL-5370DWT FOR US/BRZ (Windows7)	add
1	LU7851001	1	CD ASSY WIN7 FOR CHN , HL-5370DW FOR CHN (Windows7)	add
1	LU7850001	1	CD ASSY WIN7 FOR TUR/RUS/CEE-GENERAL , HL-5340D/5350DN/5350DNLT/5370DW/5380DN FOR TUR/RUS/ CEE-GENERAL, HL-5340D RUS TENDER (Windows7)	add
1	LU7853001	1	CD ASSY WIN7 FOR KOR (Windows7)	
1	LU8467001	1	CD ASSY WIN8, HL-5340DL/5350DN/5380DN FOR GER/UK/SWI/ITA/FRA/ IBERIA, HL-5380DN-MOF (Windows7/8)	ADD
1	LU8469001	1	CD ASSY WIN8, HL-5340D/5350DN FOR CHN (Windows7/8)	ADD
1	LU8468001	1	CD ASSY WIN8, HL-5340DL FOR CEE-GENERAL (Windows7/8)	ADD
2	LU7215001	1	SETUP GUIDE 5340/5350 ENG, HL-5340D/5340DL/5350DN/ 5350DNLT FOR US/UK/ARL/ISR/PHL/TWN/GULF/SGP/IND	
2	LU7216001	1	SETUP GUIDE 5340/5350 GER, HL-5340D/5340DL/5350DN/5350DNLT FOR GER/SWI	
2	LU7232001	1	SETUP GUIDE 5380 GER, HL-5380DN FOR GER/SWI	
2	LU7245001	1	SETUP GUIDE 5370 ENG, HL-5370DW/5370DWT FOR US/CAN/UK/ARL/PHL/GULF/SGP	
2	LU7231001	1	SETUP GUIDE 5380 ENG, HL-5380DN FOR UK/ARL/ISR/PHL/GULF/SGP	
2	LU7246001	1	SETUP GUIDE 5370 GER, HL-5370DW FOR GER/SWI	
2	LU7217001	1	SETUP GUIDE 5340/5350 FRE, HL-5340D/5340DL/5350DN/5350DNLT FOR SWI/FRA	
2	LU7247001	1	SETUP GUIDE 5370 FRE, HL-5370DW FOR CAN/SWI/FRA	
2	LU7233001	1	SETUP GUIDE 5380 FRE, HL-5380DN FOR SWI/FRA, HL-5380DN-MOF	
2	LU7219001	1	SETUP GUIDE 5340/5350 ITA, HL-5340D/5340DL/5350DN/5350DNLT FOR SWI/ITA	
2	LU7249001	1	SETUP GUIDE 5370 ITA, HL-5370DW FOR SWI/SPA	
2	LU7235001	1	SETUP GUIDE 5380 ITA, HL-5380DN FOR SWI/ITA	
2	LU7250001	1	SETUP GUIDE 5370 SPA, HL-5370DW FOR SPA/ARG/CHI	
2	LU7251001	1	SETUP GUIDE 5370 POR, HL-5370DW FOR SPA	
2	LU7500001	1	SETUP GUIDE 5340/5350, HL-5340D/5350DN FOR CHN	
2	LU7501001	1	SETUP GUIDE 5370, HL-5370DW FOR CHN	
2	LU7230001	1	SETUP GUIDE 5340/5350, HL-5340D/5350DN FOR TUR	
2	LU7258001	1	SETUP GUIDE 5370, HL-5370DW FOR TUR	
2	LU7244001	1	SETUP GUIDE 5380, HL-5380DN FOR TUR	
2	LU7226001	1	SETUP GUIDE 5340, HL-5340D/5350DN FOR BRZ	
2	LU7256001	1	SETUP GUIDE 5370, HL-5370DW/5370DWT FOR BRZ	
2	LU7227001	1	SETUP GUIDE 5340/5350, HL-5340D/5350DN FOR RUS, HL-5340D RUS TENDER	
2	LU7257001	1	SETUP GUIDE 5370, HL-5370DW FOR RUS	
2	LU7222001	1	SETUP GUIDE 5340/5350 NOR, HL-5340D/5350DN/5350DNLT FOR PAN-NOR	
2	LU7252001	1	SETUP GUIDE 5370 NOR, HL-5370DW FOR PAN-NOR	
2	LU7238001	1	SETUP GUIDE 5380 NOR, HL-5380DN FOR PAN-NOR	
2	LU7223001	1	SETUP GUIDE 5340/5350 SWE, HL-5340D/5350DN/5350DNLT FOR PAN-NOR	
2	LU7253001	1	SETUP GUIDE 5370 SWE, HL-5370DW FOR PAN-NOR	
2	LU7239001	1	SETUP GUIDE 5380 SWE, HL-5380DN FOR PAN-NOR	
2	LU7224001	1	SETUP GUIDE 5340/5350 DAN, HL-5340D/5350DN/5350DNLT FOR PAN-NOR	
2	LU7254001	1	SETUP GUIDE 5370 DAN, HL-5370DW FOR PAN-NOR	
2	LU7240001	1	SETUP GUIDE 5380 DAN, HL-5380DN FOR PAN-NOR	
2	LU7225001	1	SETUP GUIDE 5340/5350 FIN, HL-5340D/5350DN/5350DNLT FOR PAN-NOR	
2	LU7255001	1	SETUP GUIDE 5370 FIN, HL-5370DW FOR PAN-NOR	
2	LU7241001	1	SETUP GUIDE 5380 FIN, HL-5380DN FOR PAN-NOR	
2	LU7218001	1	SETUP GUIDE 5340/5350 DUT, HL-5340D/5340DL/5350DN/5350DNLT FOR FRA	
2	LU7248001	1	SETUP GUIDE 5370 DUT, HL-5370DW FOR FRA	
2	LU7234001	1	SETUP GUIDE 5380 DUT, HL-5380DN FOR FRA, HL-5380DN-MOF	
2	LU7220001	1	SETUP GUIDE 5340/5350 SPA, HL-5340D/5340DL/5350DN/5350DNLT FOR ARG/CHI/IBERIA	
2	LU7236001	1	SETUP GUIDE 5380 SPA, HL-5380DN FOR IBERIA SETUP GUIDE 5340/5350 POR, HL-5340D/5340DL/5350DN/5350DNLT FOR IBERIA	
2	LU7221001	1	SETUP GUIDE 5380 POR, HL-5380DN FOR IBERIA	
2	LU7237001	1	SETUP GUIDE 40/50 CZE/HUN/POL, HL-5340D/5340DL/5350DN/5350DNLT FOR CEE-GENERAL HL-5340D/5340DL/5350DN/ 5350DNLT/5370DW/ 5370DWT/5380DN	
2	LU7228001	1		

13. ACCESSORIES

REF No.	CODE	Q'TY	DESCRIPTION	REMARKS
2	LU7242001	1	SETUP GUIDE 40/50 CZE/HUN/POL, HL-5380DN FOR CEE-GENERAL	
2	LU7229001	1	SETUP GUIDE 40/50 ENG/BUL/ROM/SVK, HL-5340D/5340DL/5350DN/5350DNLT FOR CEE-GENERAL	
2	LU7243001	1	SETUP GUIDE 40/50 ENG/BUL/ROM/SVK, HL-5380DN FOR CEE-GENERAL	
3	LJ9803001	1	USB CABLE 2.0	
4	LU7653001	1	DRUM CLEANING SHEET KIT	add
5	LU7855001	1	LED LABEL FOR US	add

14. PACKING MATERIALS

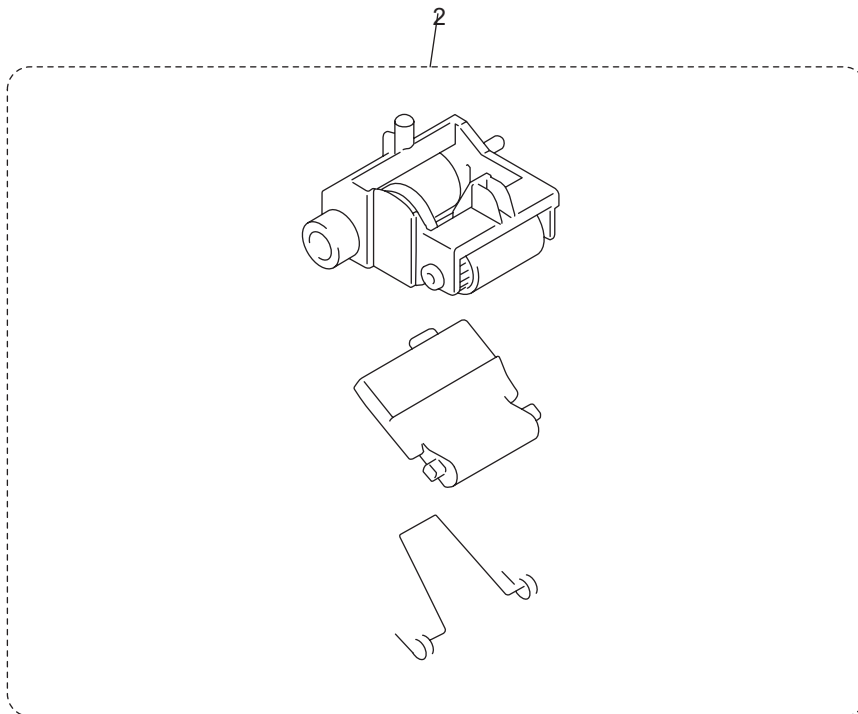
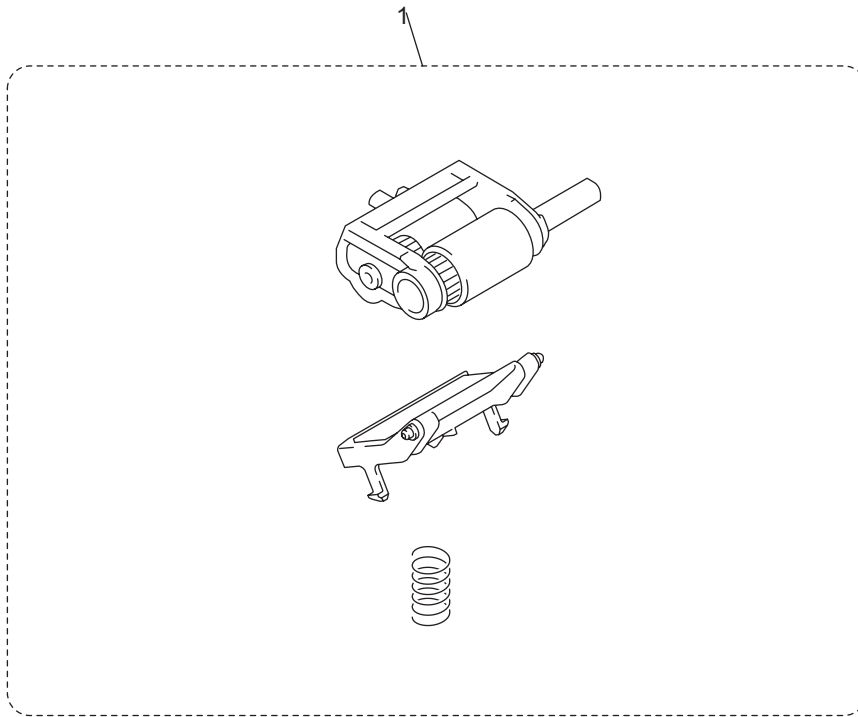


14. PACKING MATERIALS

REF No.	CODE	Q'TY	DESCRIPTION	REMARKS
1	LU7390001	1	CARTON, HL-5340D FOR US	
1	LU7412001	1	CARTON, HL-5350DN FOR US/TWN	
1	LU7422001	1	CARTON, HL-5370DW/5370DWT FOR US	
1	LU7507001	1	CARTON, HL-5370DW FOR CAN	
1	LU7400001	1	CARTON, HL-5340D FOR GER/UK/SWI/ITA/ISR/RUS/PAN-NOR/ FRA/IBERIA/CEE-GENERAL, HL-5340D RUS TENDER	
1	LU8285001	1	CARTON, HL-5340DL FOR GER/UK/SWI/ITA/FRA/IBERIA/CEE-GENERAL	
1	LU7695001	1	CARTON, HL-5350DN FOR GER/UK/SWI/ITA/ISR/RUS/ PAN-NOR/FRA/IBERIA/CEE-GENERAL	chg
1	LU9708001	1	CARTON, HL-5350DNLT	CHG
1	LU7530001	1	CARTON, HL-5370DW FOR GER/UK/SWI/SPA/RUS/PAN-NOR/FRA	
1	LU7416001	1	CARTON, HL-5380DN FOR GER/UK/SWI/ITA/ISR/PAN-NOR/ FRA/IBERIA/CEE-GENERAL, HL-5380DN-MOF	
1	LU7446001	1	CARTON, HL-5340D FOR ARL	
1	LU8062001	1	CARTON, HL-5340D FOR PHL/GULF/SGP	add
1	LU7458001	1	CARTON, HL-5350DN FOR ARL	
1	LU8064001	1	CARTON, HL-5350DN FOR PHL/GULF/SGP	add
1	LU7555001	1	CARTON, HL-5370DW FOR ARL	
1	LU8066001	1	CARTON, HL-5370DW FOR PHL/GULF/SGP	add
1	LU7462001	1	CARTON, HL-5380DN FOR ARL	
1	LY2957001	1	CARTON, HL-5380DN FOR PHL/GULF/SGP	add
1	LU7511001	1	CARTON, HL-5340D FOR CHN	
1	LU7513001	1	CARTON, HL-5350DN FOR CHN	
1	LU7515001	1	CARTON, HL-5370DW FOR CHN	
1	LU7565001	1	CARTON, HL-5340D FOR TUR	
1	LU7567001	1	CARTON, HL-5350DN FOR TUR	
1	LU7684001	1	CARTON, HL-5370DW FOR TUR	
1	LU7569001	1	CARTON, HL-5380DN FOR TUR	
1	LU7663001	1	CARTON, HL-5340D FOR ARG/CHI	
1	LU7662001	1	CARTON, HL-5350DN FOR ARG	
1	LU7661001	1	CARTON, HL-5370DW FOR ARG/CHI	
1	LU7443001	1	CARTON, HL-5340D FOR BRZ	
1	LU7639001	1	CARTON, HL-5350DN FOR BRZ	
1	LU7505001	1	CARTON, HL-5370DW/5370DWT FOR BRZ	
1	LU7672001	1	CARTON, HL-5340D FOR KOR	
1	LU7675001	1	CARTON, HL-5350DN FOR KOR	
1	LU7678001	1	CARTON, HL-5380DN FOR KOR	
1	LU7635001	1	CARTON, HL-5340D FOR IND	
1	LU7637001	1	CARTON, HL-5350DN FOR IND	
2	LM5294001	1	POLYSTYRENE PAD ASSY, HL-5340D/5340DL/5350DN/5350DNLT/5370DW/5370DWT, HL-5340D RUS TENDER	
2	LM5599001	1	POLYSTYRENE PAD ASSY, HL-5380DN/5380DN-MOF	
3	LU7910001	1	OPTION CARTON 2 ASSY	chg
4	LJ5584001	1	BAG, 700X800H	
5	LM5589001	1	CARTON LT-5300, HL-5350DNLT/5370DWT	
6	LM5590001	1	POLYSTYRENE FOAM PAD L, HL-5350DNLT/5370DWT	
7	LM5591001	1	POLYSTYRENE FOAM PAD R, HL-5350DNLT/5370DWT	
8	LJ5590001	1	BAG 550x650H, HL-5350DNLT/5370DWT	
9	LU7427001	1	CARTON OUTER, HL-5350DNLT	
9	LU7570001	1	CARTON OUTER, HL-5370DWT FOR US	chg
9	LU7573001	1	CARTON OUTER, HL-5370DWT FOR BRZ	
10	LM2042001	2	PAD 5050LT B, HL-5350DNLT/5370DWT	
11	LM5829001	4	PAD 5250DNT A, HL-5350DNLT/5370DWT	
12	LU8465001	1	CHINA ENERGY LABEL, HL-5340D FOR CHN	add
12	LU8466001	1	CHINA ENERGY LABEL, HL-5350DN FOR CHN	add
12	LU8314001	1	CHINA ENERGY LABEL, HL-5370DW FOR CHN	add

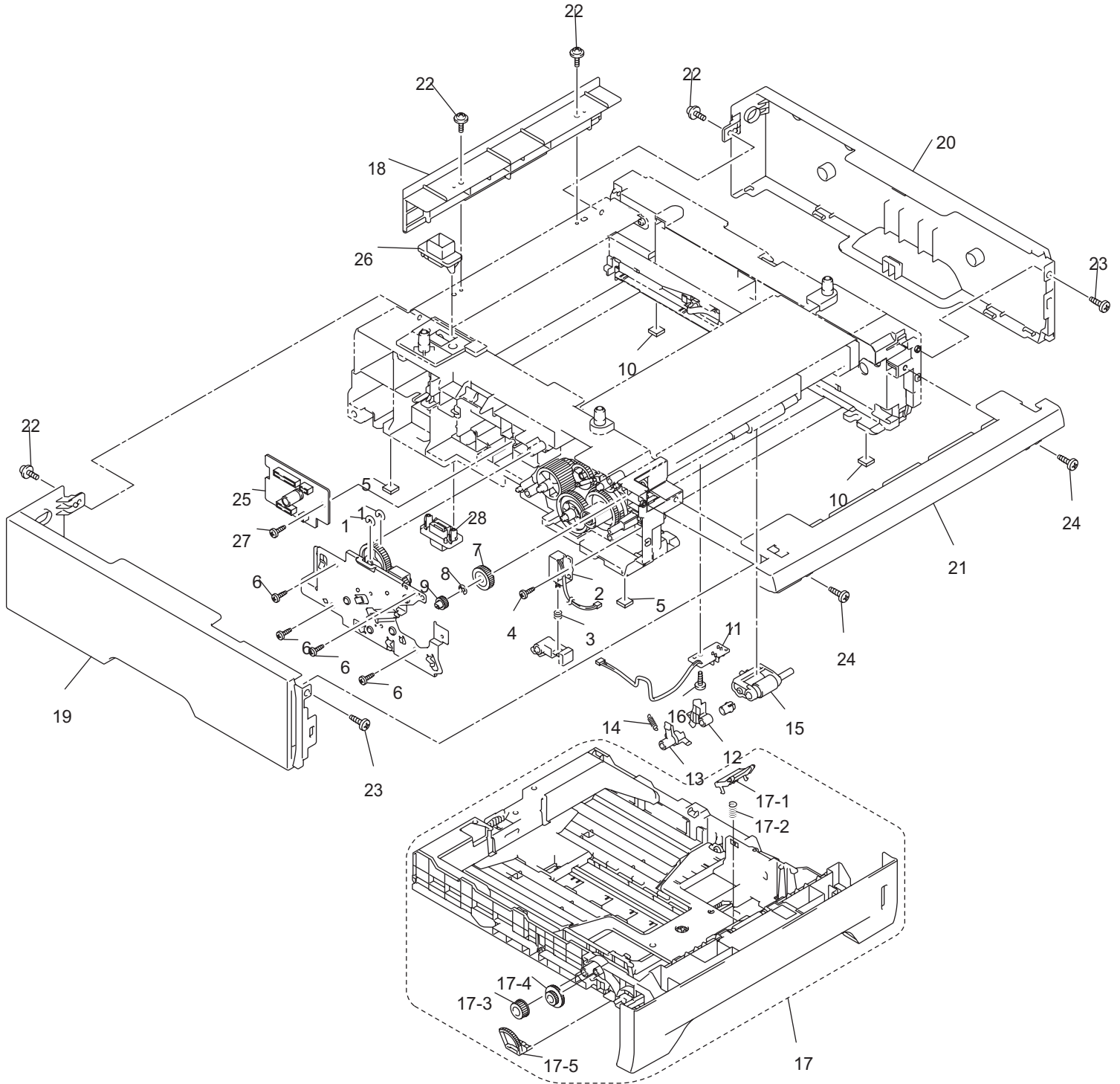
HL-5340D/5340DL/5350DN/
5350DNLT/5370DW/
5370DWT/5380DN

15. PERIODICAL MAINTENANCE PARTS



15. PERIODICAL MAINTENANCE PARTS

REF No.	CODE	Q'TY	DESCRIPTION	REMARKS
1	LU7338001	1	ROLLER HOLDER ALE SP ASSY	
2	LU7339001	1	MP ROLLER HOLDER ALE SP ASSY	



16. LT

REF No.	CODE	Q'TY	DESCRIPTION	REMARKS
1	LJ1175001	2	COLLAR 6	
2	LM5509001	1	LT SOLENOID ASSY	
3	LJ5014001	1	SOLENOID RELEASE SPRING P/R	
4	085311016	1	TAPTITE BIND B M3x10	
5	LJ7403001	2	RUBBER FOOT	
6	085411216	4	TAPTITE BIND B M4x12	
7	LM3740001	1	GEAR 24 LT	
8	048040346	1	RETAINING RING E4	
9	LM5103001	1	GEAR 20 T1 ROLLER DRIVE	
10	LJ7403001	2	RUBBER FOOT	
11	LM9010001	1	LT SENSOR PCB ASSY	
12	LU0684001	1	PE ACTUATOR 2	
13	LM5132001	1	EDGE ACTUATOR	
14	LM5133001	1	EDGE ACTUATOR SPRING	
15	LM5140001	1	ROLLER HOLDER ASSY	
16	085310816	1	TAPTITE BIND B M3x8	
17	LU7264001	1	PAPER TRAY UNIT A4 ALE LT FOR EUR, HL-5350DNLT	
17	LU7198001	1	PAPER TRAY UNIT UNIV ALE, HL-5370DWT	
17-1	LM5237001	1	SEPARATION PAD ASSY	
17-2	LM5239001	1	SEPARATION PAD SPRING	
17-3	LM5245001	1	GEAR 15	
17-4	LM5246001	1	GEAR 21-16	
17-5	LM5247001	1	LIFT GEAR 46	
18	LM5452001	1	LT REAR COVER	
19	LM5453001	1	LT SIDE COVER L	
20	LM5454001	1	LT SIDE COVER R	
21	LM5455001	1	LT FRONT COVER	
22	LM5867001	4	TAPTITE CUP S M3x6 SR	
23	085411216	2	TAPTITE BIND B M4X12	
24	087411216	2	TAPTITE CUP B M4X12	
25	LJ9957001	1	LT PCB ASSY AL	
26	LJ9955001	1	CONNECTOR: 55533-1219	
27	085411216	1	TAPTITE BIND B M4x12	
28	LJ9945001	1	CONNECTOR: 54702-1219	