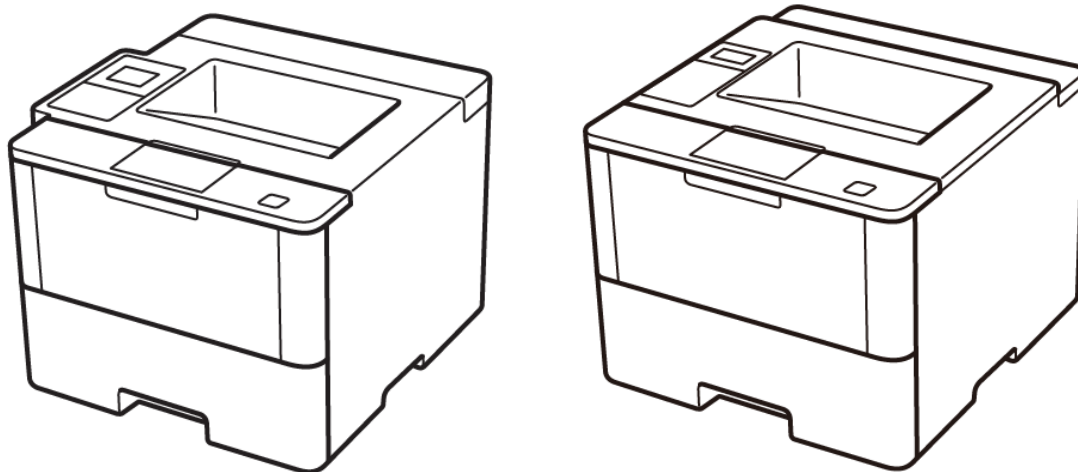




Laser Printer **PARTS REFERENCE LIST**

MODEL:

HL-5580D/5585D/5590DN/5595DN/
L5000D/L5100DN/L5100DNT/L5102DW/
L5200DW/L5202DW/L5200DWT/
L6250DN/L6200DW/L6202DW/L6250DW/
L6200DWT/L6300DW/L6300DWT/
L6400DW/L6402DW/L6400DWT



Read this list thoroughly before maintenance work.

Keep this list in a convenient place for quick and easy reference at all times.

NOTE FOR USING THIS PARTS REFERENCE LIST

1. In the case of ordering parts, it is necessary to mention the following items:

- (1) Code
- (2) Q'ty
- (3) Description <Example>

	(1) CODE	(2) Q'TY	(3) DESCRIPTION	MODEL	SPEC	REMARKS

2. Design-changed parts:

If any of the parts is changed, one of the following symbols is indicated in the REMARKS column.

CHG (chg): The part is changed for a new one.

ADD (add): The part is newly added.

DEL (del): The part is deleted.

Symbol in capital letters indicates the latest parts change information in the page.

3. Parts change will be informed by the Parts change information.

4. Parts are subject to change in design without prior notice.

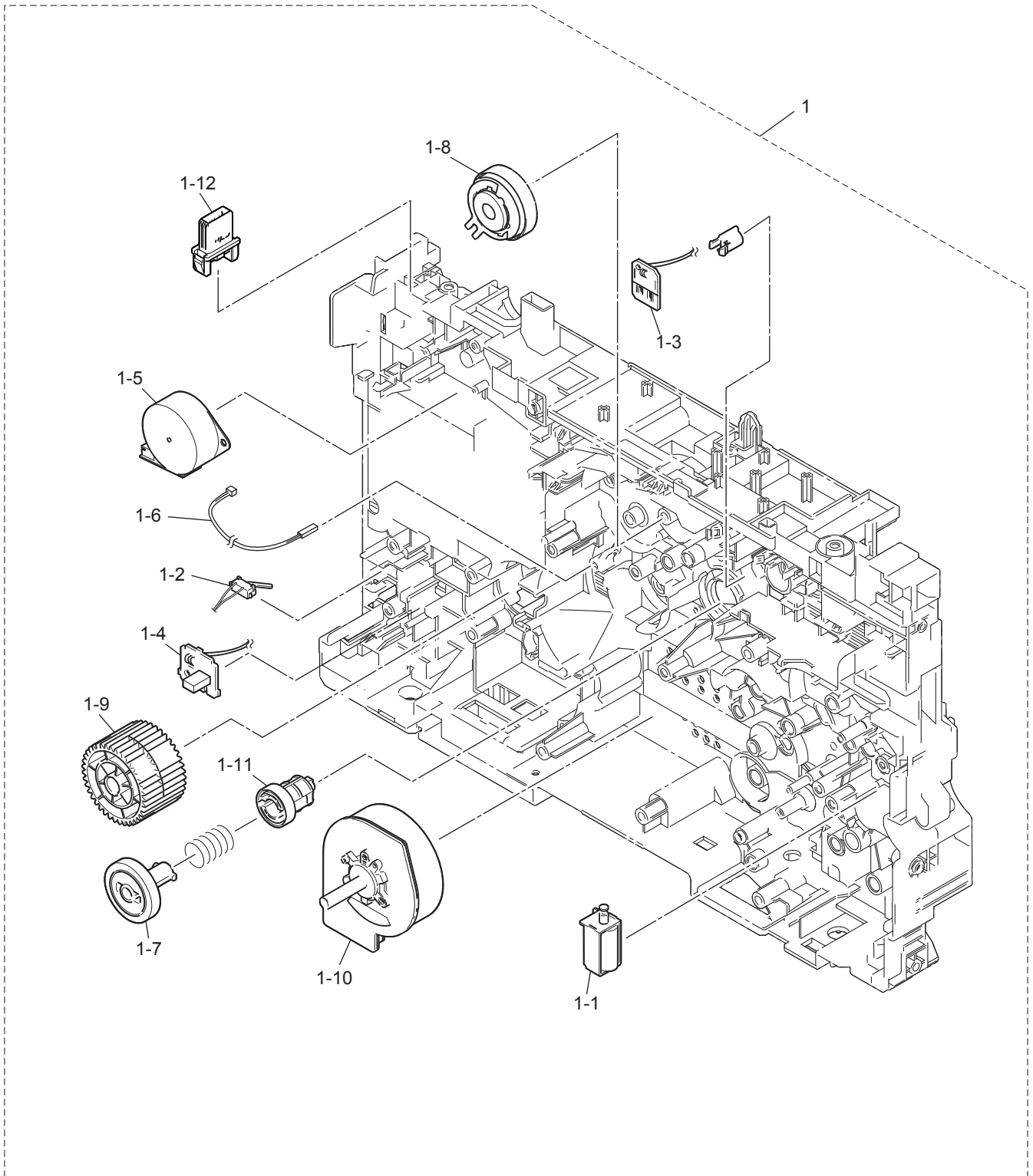
COUNTRIES & AREAS

ARG----ARGENTINA	IRN-----IRAN
ARL----AUSTRALIA	ISR-----ISRAEL
BRA----BRAZIL	ITA ----- ITALY
CAN ----- CANADA	KOR----KOREA
CEE----CEE GENERAL	NZ-----NEW ZEALAND
CHE ----- SWITZERLAND	PND ----- PAN-NORDIC
CHL----CHILE	(NORWAY/FINLAND/DENMARK/SWEDEN)
CHN----CHINA	RUS---- RUSSIA
FRA/BEL/NLD -----	SGP----SINGAPORE
FRANCE/BELGIUM/NETHERLANDS	TWN----TAIWAN
GEN----GENERIC	UK ----- UNITED KINGDOM
GER ----- GERMANY	US ----- U.S.A.
GULF----GULF	
IBR ----- IBERIA (SPAIN & PORTUGAL)	
IND----INDIA	

CONTENTS

1.	<u>FRAME L & DRIVE UNIT</u>	1
2.	<u>FRAME R UNIT</u>	4
3.	<u>FRAME</u>	6
4.	<u>LASER UNIT</u>	8
5.	<u>PAPER FEEDER</u>	10
6.	<u>DX</u>	12
7.	<u>PAPER CASSETTE</u>	14
8.	<u>FIXING UNIT</u>	16
9.	<u>COVERS & LABELS</u>	18
10.	<u>PCB</u>	27
11.	<u>ACCESSORIES</u>	30
12.	<u>PACKING MATERIALS</u>	33
13.	<u>PERIODICAL MAINTENANCE PARTS</u>	38
14.	<u>LT</u>	40

1. FRAME L & DRIVE UNIT



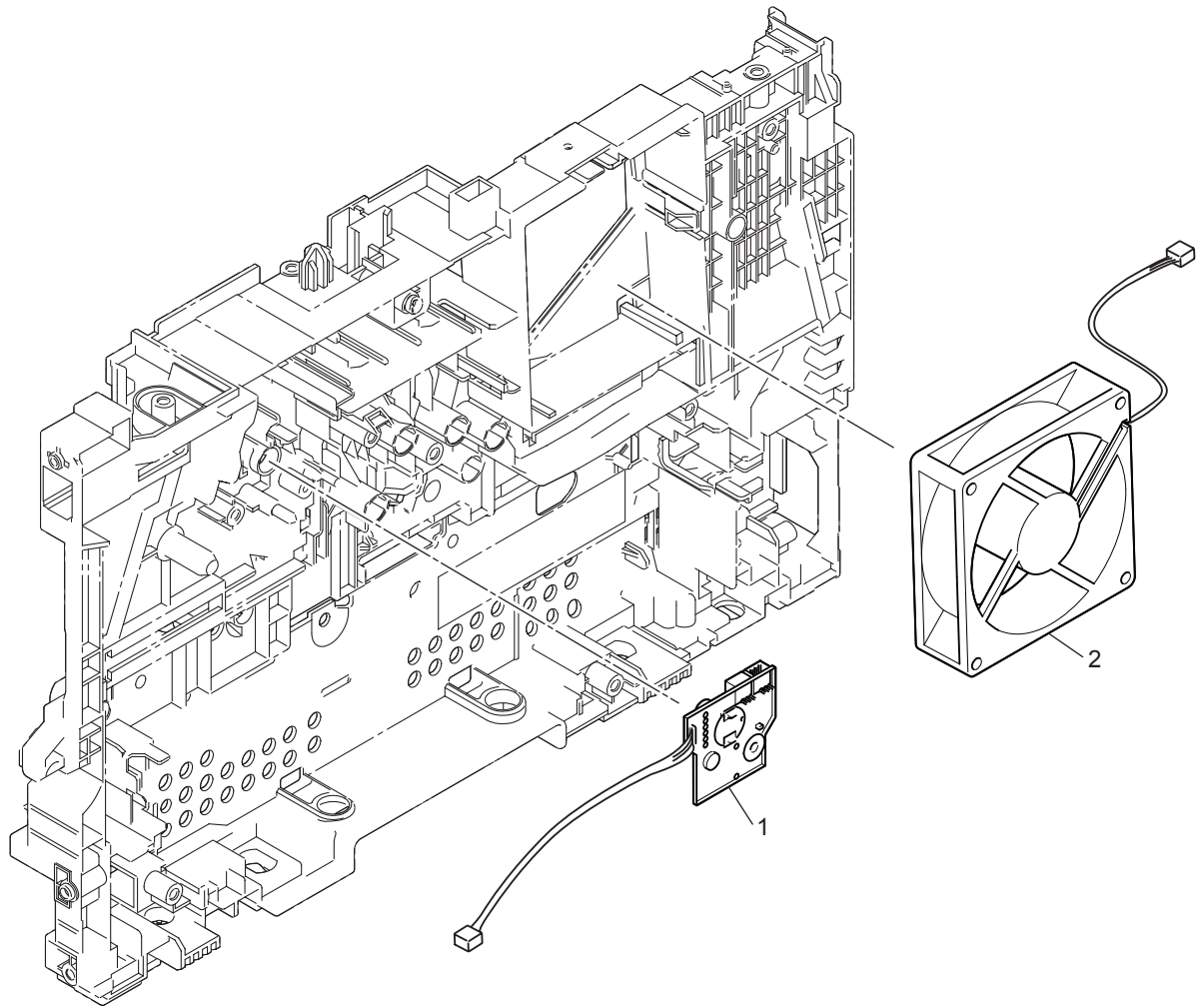
1. FRAME L & DRIVE UNIT

REF No.	CODE	QTY	DESCRIPTION	MODEL	SPEC	REMARKS
1	D0091A001	1	MAIN FRAME L ASSY (SP)	HL-5580D		
1	D0091A001	1	MAIN FRAME L ASSY (SP)	HL-5585D		
1	D0091A001	1	MAIN FRAME L ASSY (SP)	HL-5590DN		
1	D00923001	1	MAIN FRAME L ASSY (SP)	HL-5595DN		
1	D0091A001	1	MAIN FRAME L ASSY (SP)	HL-L5000D	FOR GER/UK/CHE/ITA/IBR/ RUS/FRA/BEL/HOL/PND/CEE	
1	D0077C001	1	MAIN FRAME L ASSY (SP)	HL-L5000D	FOR USA/CAN/IRN/SGP/IND/ISR	
1	D0091A001	1	MAIN FRAME L ASSY (SP)	HL-L5100DN	FOR GER/UK/CHE/ITA/IBR/ RUS/FRA/BEL/HOL/PND/CEE	
1	D0077C001	1	MAIN FRAME L ASSY (SP)	HL-L5100DN	FOR USA/ARL/TWN/NZ/ARG/CHL/ SGP/KOR/IND/ISR	
1	D0091A001	1	MAIN FRAME L ASSY (SP)	HL-L5100DNT		
1	D0091A001	1	MAIN FRAME L ASSY (SP)	HL-L5102DW		
1	D0091A001	1	MAIN FRAME L ASSY (SP)	HL-L5200DW	FOR GER/UK/CHE/ITA/IBR/RUS/ FRA/BEL/HOL/PND/CEE	
1	D0077C001	1	MAIN FRAME L ASSY (SP)	HL-L5200DW	FOR USA/CAN/ARL/NZ/GULF	
1	D0091A001	1	MAIN FRAME L ASSY (SP)	HL-L5200DWT	FOR UK/FRA/BEL/HOL/PND	
1	D0077C001	1	MAIN FRAME L ASSY (SP)	HL-L5200DWT	FOR USA	
1	D0091A001	1	MAIN FRAME L ASSY (SP)	HL-L5202DW		
1	D0091E001	1	MAIN FRAME L ASSY (SP)	HL-L6200DW		
1	D0091E001	1	MAIN FRAME L ASSY (SP)	HL-L6200DWT		
1	D00923001	1	MAIN FRAME L ASSY (SP)	HL-L6202DW		
1	D00923001	1	MAIN FRAME L ASSY (SP)	HL-L6250DN		
1	D0091E001	1	MAIN FRAME L ASSY (SP)	HL-L6250DW		
1	D0077H001	1	MAIN FRAME L ASSY (SP)	HL-L6300DW	FOR USA/ISR	
1	D00925001	1	MAIN FRAME L ASSY (SP)	HL-L6300DW	FOR GER/UK/CHE/RUS/PND/GEN	
1	D00925001	1	MAIN FRAME L ASSY (SP)	HL-L6300DWT		
1	D0077H001	1	MAIN FRAME L ASSY (SP)	HL-L6400DW	FOR USA/CAN/ARL/ISR/TWN/NZ/ ARG/CHL/GULF/SGP/KOR	
1	D00925001	1	MAIN FRAME L ASSY (SP)	HL-L6400DW	FOR GER/UK/CHE/RUS/PND/GEN	
1	D0077H001	1	MAIN FRAME L ASSY (SP)	HL-L6400DWT	FOR USA	
1	D00925001	1	MAIN FRAME L ASSY (SP)	HL-L6400DWT	FOR UK/CHE/RUS/PND/GEN	
1-1	LU9352001	1	MP SOLENOID			chg
1-2	D000YK001	1	BACK COVER/DUPLEX TRAY SENSOR HARNESS			
1-3	D0000L001	1	TONER SENSOR PCB ASSY			
1-4	D0001C001	1	EXTERNAL TEMPERATURE/HUMIDITY EJECT MOTOR			
1-5	D00054001	1	INTERNAL TEMPERATURE SENSOR			
1-6	D001BA001	1	DEVELOP JOINT GEAR 37			
1-7	LY4382001	1	DEVELOP CLUTCH 51R			
1-8	LY4408001	1	FUSER DRIVE GEAR 39			
1-9	LY4450001	1	PAPER FEED MOTOR	HL-5580D		
1-10	LY4378001	1	PAPER FEED MOTOR	HL-5585D		
1-10	LY4378001	1	PAPER FEED MOTOR	HL-5590DN		
1-10	D000TC001	1	PAPER FEED MOTOR	HL-5595DN		
1-10	LY4378001	1	PAPER FEED MOTOR	HL-L5000D		
1-10	LY4378001	1	PAPER FEED MOTOR	HL-L5100DN		
1-10	LY4378001	1	PAPER FEED MOTOR	HL-L5100DNT		
1-10	LY4378001	1	PAPER FEED MOTOR	HL-L5102DW		
1-10	LY4378001	1	PAPER FEED MOTOR	HL-L5200DW		
1-10	LY4378001	1	PAPER FEED MOTOR	HL-L5200DWT		
1-10	LY4378001	1	PAPER FEED MOTOR	HL-L5202DW		
1-10	D000TC001	1	PAPER FEED MOTOR	HL-L6200DW		
1-10	D000TC001	1	PAPER FEED MOTOR	HL-L6200DWT		
1-10	D000TC001	1	PAPER FEED MOTOR	HL-L6202DW		
1-10	D000TC001	1	PAPER FEED MOTOR	HL-L6250DN		
1-10	D000TC001	1	PAPER FEED MOTOR	HL-L6250DW		
1-10	D000TC001	1	PAPER FEED MOTOR	HL-L6300DW		
1-10	D000TC001	1	PAPER FEED MOTOR	HL-L6300DWT		
1-10	D000TC001	1	PAPER FEED MOTOR	HL-L6400DW		
1-10	D000TC001	1	PAPER FEED MOTOR	HL-L6400DWT		
1-10	D000TC001	1	PAPER FEED MOTOR	HL-L6402DW		
1-11	D001Y5001	1	DEVELOP JOINT	HL-5580D		
1-11	D001Y5001	1	DEVELOP JOINT	HL-5585D		
1-11	D001Y5001	1	DEVELOP JOINT	HL-5590DN		
1-11	D001Y5001	1	DEVELOP JOINT	HL-5595DN		
1-11	LY4380001	1	DEVELOP JOINT	HL-L5000D	FOR USA/CAN/IRN/SGP/IND	

1. FRAME L & DRIVE UNIT

REF No.	CODE	QTY	DESCRIPTION	MODEL	SPEC	REMARKS
1-11	D001Y5001	1	DEVELOP JOINT	HL-L5000D	FOR GER/UK/CHE/ITA/IBR/ISR/ RUS/FRA/BEL/HOL/PND/CEE	
1-11	LY4380001	1	DEVELOP JOINT	HL-L5100DN	FOR USA/ARL/TWN/NZ/ARG/CHL/ SGP/KOR/IND	
1-11	D001Y5001	1	DEVELOP JOINT	HL-L5100DN	FOR GER/UK/CHE/ITA/IBR/ISR/ RUS/FRA/BEL/HOL/PND/CEE	
1-11	D001Y5001	1	DEVELOP JOINT	HL-L5100DNT		
1-11	D001Y5001	1	DEVELOP JOINT	HL-L5102DW		
1-11	LY4380001	1	DEVELOP JOINT	HL-L5200DW	FOR USA/CAN/ARL/NZ/GULF	
1-11	D001Y5001	1	DEVELOP JOINT	HL-L5200DW	FOR GER/UK/CHE/ITA/IBR/RUS/ FRA/BEL/HOL/PND/CEE	
1-11	LY4380001	1	DEVELOP JOINT	HL-L5200DWT	FOR USA	
1-11	D001Y5001	1	DEVELOP JOINT	HL-L5200DWT	FOR UK/FRA/BEL/HOL/PND	
1-11	D001Y5001	1	DEVELOP JOINT	HL-L5202DW		
1-11	LY4380001	1	DEVELOP JOINT	HL-L6200DW		
1-11	LY4380001	1	DEVELOP JOINT	HL-L6200DWT		
1-11	D001Y5001	1	DEVELOP JOINT	HL-L6202DW		
1-11	D001Y5001	1	DEVELOP JOINT	HL-L6250DN		
1-11	LY4380001	1	DEVELOP JOINT	HL-L6250DW		
1-11	LY4380001	1	DEVELOP JOINT	HL-L6300DW	FOR USA/ISR	
1-11	D001Y5001	1	DEVELOP JOINT	HL-L6300DW	FOR GER/UK/CHE/RUS/PND/GEN	
1-11	D001Y5001	1	DEVELOP JOINT	HL-L6300DWT		
1-11	LY4380001	1	DEVELOP JOINT	HL-L6400DW	FOR USA/CAN/ARL/ISR/TWN/NZ/ ARG/CHL/GULF/SGP/KOR	
1-11	D001Y5001	1	DEVELOP JOINT	HL-L6400DW	FOR GER/UK/CHE/RUS/PND/GEN	
1-11	LY4380001	1	DEVELOP JOINT	HL-L6400DWT	FOR USA	
1-11	D001Y5001	1	DEVELOP JOINT	HL-L6400DWT	FOR UK/CHE/RUS/PND/GEN	
1-11	D001Y5001	1	DEVELOP JOINT	HL-L6402DW		
1-12	D000WD001	1	MX CONNECTOR (MACHINE SIDE)	HL-L6300DW		
1-12	D000WD001	1	MX CONNECTOR (MACHINE SIDE)	HL-L6300DWT		
1-12	D000WD001	1	MX CONNECTOR (MACHINE SIDE)	HL-L6400DW		
1-12	D000WD001	1	MX CONNECTOR (MACHINE SIDE)	HL-L6400DWT		
1-12	D000WD001	1	MX CONNECTOR (MACHINE SIDE)	HL-L6402DW		

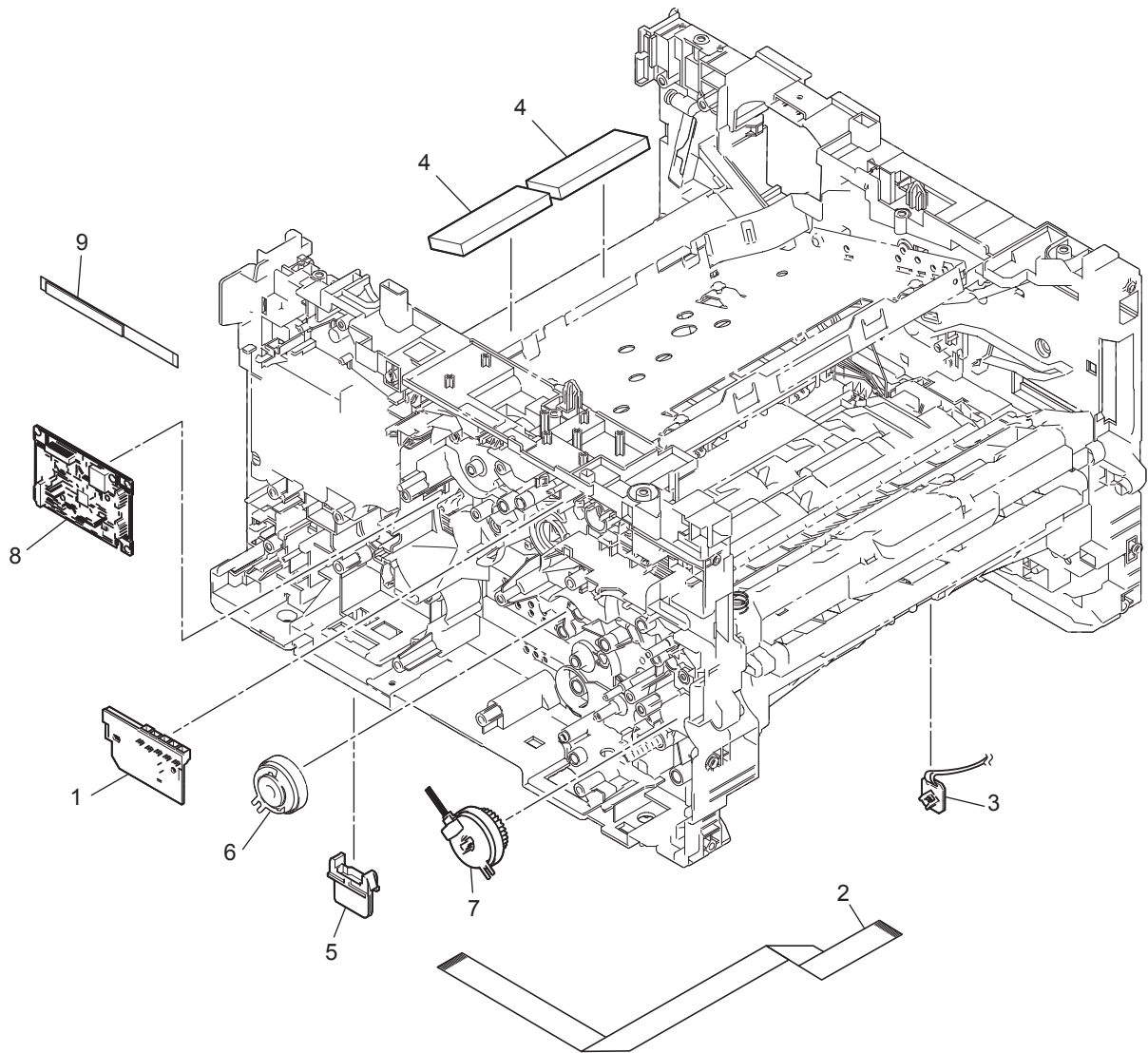
2. FRAME R UNIT



2. FRAME R UNIT

REF No.	CODE	Q'T Y	DESCRIPTION	MODEL	SPEC	REMARKS
1	D0000M001	1	TONER LED PCB ASSY	HL-5580D		
1	D0000M001	1	TONER LED PCB ASSY	HL-5585D		
1	D0000M001	1	TONER LED PCB ASSY	HL-5590DN		
1	D0000M002	1	TONER LED PCB ASSY	HL-5595DN		
1	D0000M001	1	TONER LED PCB ASSY	HL-L5000D		
1	D0000M001	1	TONER LED PCB ASSY	HL-L5100DN		
1	D0000M001	1	TONER LED PCB ASSY	HL-L5100DNT		
1	D0000M001	1	TONER LED PCB ASSY	HL-L5102DW		
1	D0000M001	1	TONER LED PCB ASSY	HL-L5200DW		
1	D0000M001	1	TONER LED PCB ASSY	HL-L5200DWT		
1	D0000M001	1	TONER LED PCB ASSY	HL-L5202DW		
1	D0000M002	1	TONER LED PCB ASSY	HL-L6200DW		
1	D0000M002	1	TONER LED PCB ASSY	HL-L6200DWT		
1	D0000M002	1	TONER LED PCB ASSY	HL-L6202DW		
1	D0000M002	1	TONER LED PCB ASSY	HL-L6250DN		
1	D0000M002	1	TONER LED PCB ASSY	HL-L6250DW		
1	D0000M002	1	TONER LED PCB ASSY	HL-L6300DW		
1	D0000M002	1	TONER LED PCB ASSY	HL-L6300DWT		
1	D0000M002	1	TONER LED PCB ASSY	HL-L6400DW		
1	D0000M002	1	TONER LED PCB ASSY	HL-L6400DWT		
1	D0000M002	1	TONER LED PCB ASSY	HL-L6402DW		
2	LY4367001	1	MAIN FAN	HL-5580D		
2	LY4367001	1	MAIN FAN	HL-5585D		
2	LY4367001	1	MAIN FAN	HL-5590DN		
2	D000BE001	1	MAIN FAN	HL-5595DN		
2	LY4367001	1	MAIN FAN	HL-L5000D		
2	LY4367001	1	MAIN FAN	HL-L5100DN		
2	LY4367001	1	MAIN FAN	HL-L5100DNT		
2	LY4367001	1	MAIN FAN	HL-L5102DW		
2	LY4367001	1	MAIN FAN	HL-L5200DW		
2	LY4367001	1	MAIN FAN	HL-L5200DWT		
2	LY4367001	1	MAIN FAN	HL-L5202DW		
2	D000BE001	1	MAIN FAN	HL-L6200DW		
2	D000BE001	1	MAIN FAN	HL-L6200DWT		
2	D000BE001	1	MAIN FAN	HL-L6202DW		
2	D000BE001	1	MAIN FAN	HL-L6250DN		
2	D000BE001	1	MAIN FAN	HL-L6250DW		
2	D000BE001	1	MAIN FAN	HL-L6300DW		
2	D000BE001	1	MAIN FAN	HL-L6300DWT		
2	D000BE001	1	MAIN FAN	HL-L6400DW		
2	D000BE001	1	MAIN FAN	HL-L6400DWT		
2	D000BE001	1	MAIN FAN	HL-L6402DW		

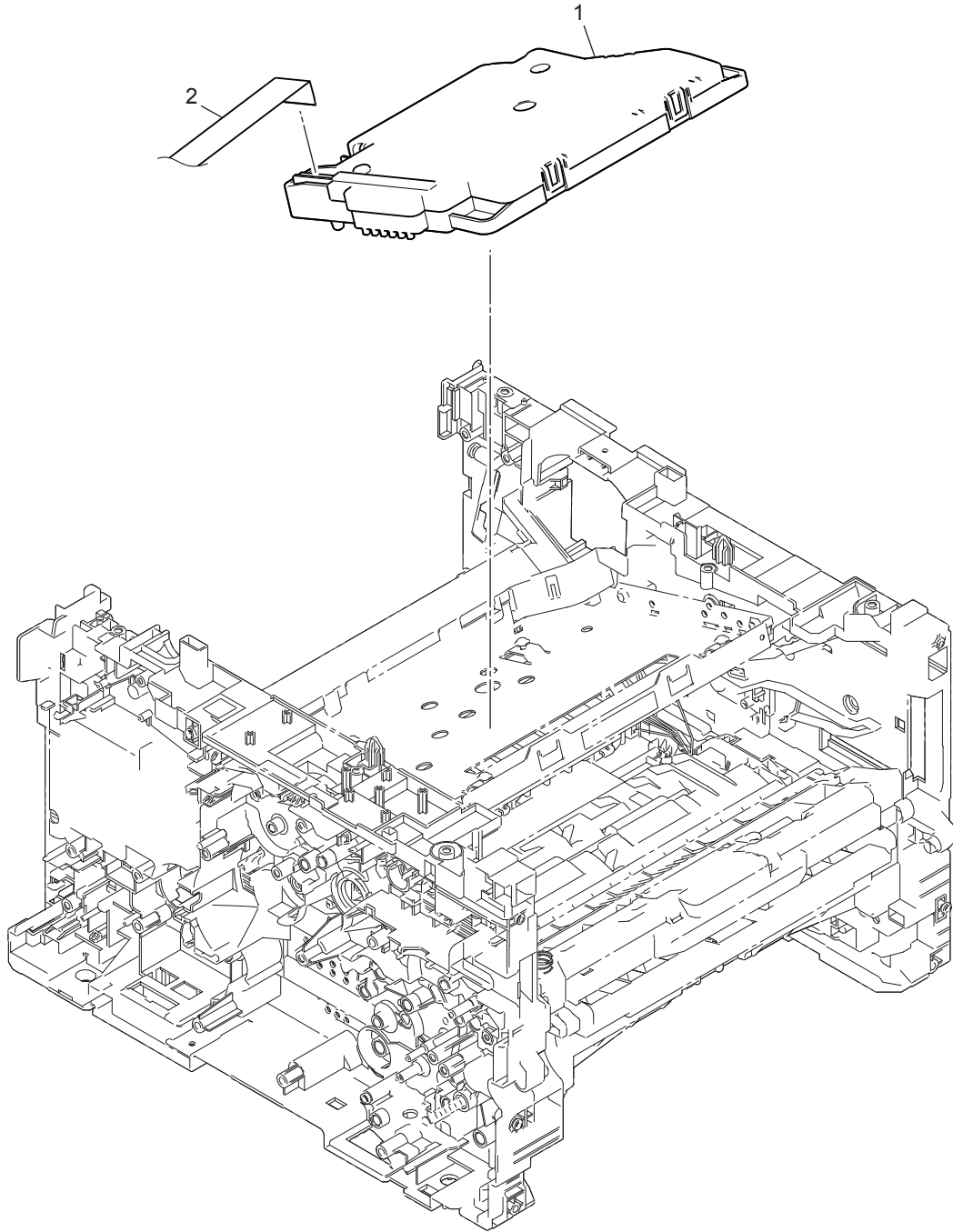
3. FRAME



3. FRAME

REF No.	CODE	Q'T Y	DESCRIPTION	MODEL	SPEC	REMARKS
1	D000N001	1	RELAY FRONT PCB ASSY			
2	D000U001	1	MAIN HVPS FLAT CABLE			
3	D0050V001	1	T1 PAPER FEED SENSOR PCB ASSY			
4	D000BD001	2	FILTER			
5	LM9266001	1	LT/TT CONNECTOR			
6	LY4332001	1	REGISTRATION CLUTCH			
7	LY4335001	1	T1 PICKUP CLUTCH			
8	D000CY001	1	PANEL PCB ASSY	HL-L6300DW		
8	D000CY001	1	PANEL PCB ASSY	HL-L6300DWT		
8	D000CY001	1	PANEL PCB ASSY	HL-L6400DW		
8	D000CY001	1	PANEL PCB ASSY	HL-L6400DWT		
8	D000CY001	1	PANEL PCB ASSY	HL-L6402DW		
9	D00515001	1	PANEL FLAT CABLE	HL-L6300DW		
9	D00515001	1	PANEL FLAT CABLE	HL-L6300DWT		
9	D00515001	1	PANEL FLAT CABLE	HL-L6400DW		
9	D00515001	1	PANEL FLAT CABLE	HL-L6400DWT		
9	D00515001	1	PANEL FLAT CABLE	HL-L6402DW		

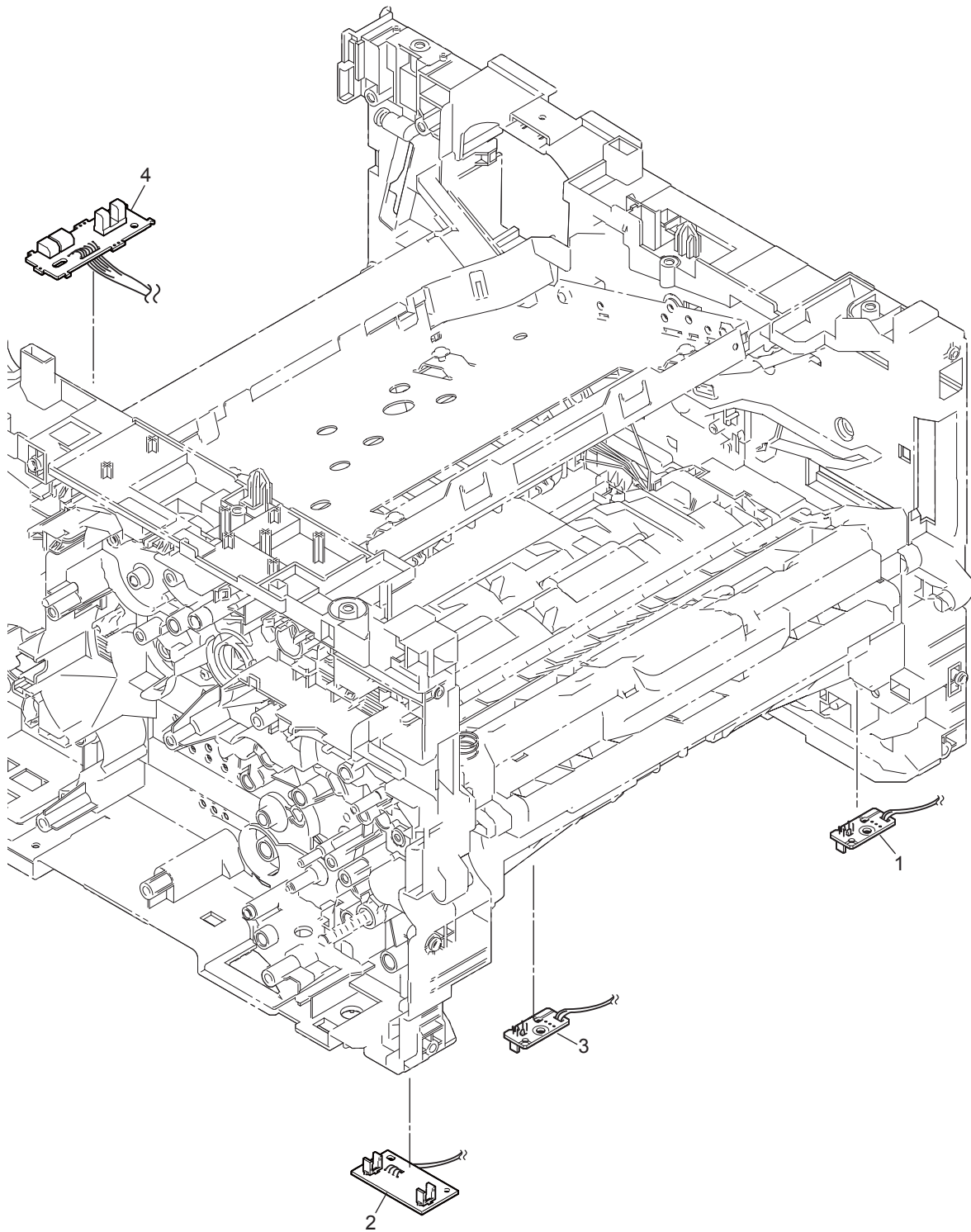
4. LASER UNIT



4. LASER UNIT

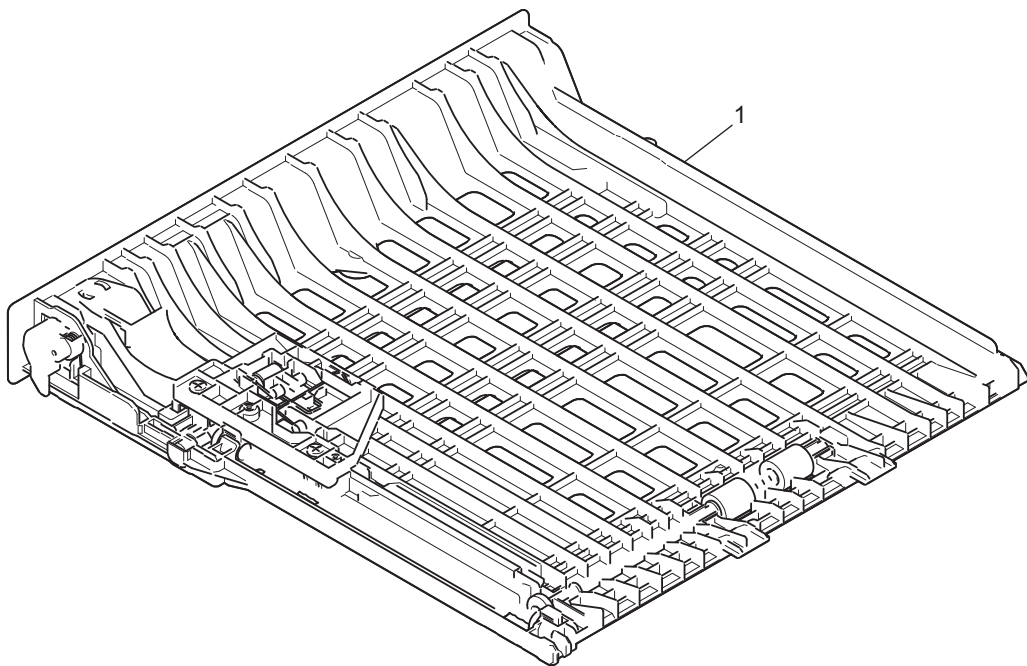
REF No.	CODE	Q'T Y	DESCRIPTION	MODEL	SPEC	REMARKS
1	D002ZC001	1	LASER UNIT (SP)	HL-5580D		
1	D002ZC001	1	LASER UNIT (SP)	HL-5585D		
1	D002ZC001	1	LASER UNIT (SP)	HL-5590DN		
1	D002ZG001	1	LASER UNIT (SP)	HL-5595DN		
1	D002ZC001	1	LASER UNIT (SP)	HL-L5000D		
1	D002ZC001	1	LASER UNIT (SP)	HL-L5100DN		
1	D002ZC001	1	LASER UNIT (SP)	HL-L5100DNT		
1	D002ZC001	1	LASER UNIT (SP)	HL-L5102DW		
1	D002ZC001	1	LASER UNIT (SP)	HL-L5200DW		
1	D002ZC001	1	LASER UNIT (SP)	HL-L5200DWT		
1	D002ZC001	1	LASER UNIT (SP)	HL-L5202DW		
1	D002ZG001	1	LASER UNIT (SP)	HL-L6200DW		
1	D002ZG001	1	LASER UNIT (SP)	HL-L6200DWT		
1	D002ZG001	1	LASER UNIT (SP)	HL-L6202DW		
1	D002ZG001	1	LASER UNIT (SP)	HL-L6250DN		
1	D002ZG001	1	LASER UNIT (SP)	HL-L6250DW		
1	D002ZG001	1	LASER UNIT (SP)	HL-L6300DW		
1	D002ZG001	1	LASER UNIT (SP)	HL-L6300DWT		
1	D002ZG001	1	LASER UNIT (SP)	HL-L6400DW		
1	D002ZG001	1	LASER UNIT (SP)	HL-L6400DWT		
1	D002ZG001	1	LASER UNIT (SP)	HL-L6402DW		
2	D00010001	1	LASER UNIT FLAT CABLE			

5. PAPER FEEDER



5. PAPER FEEDER

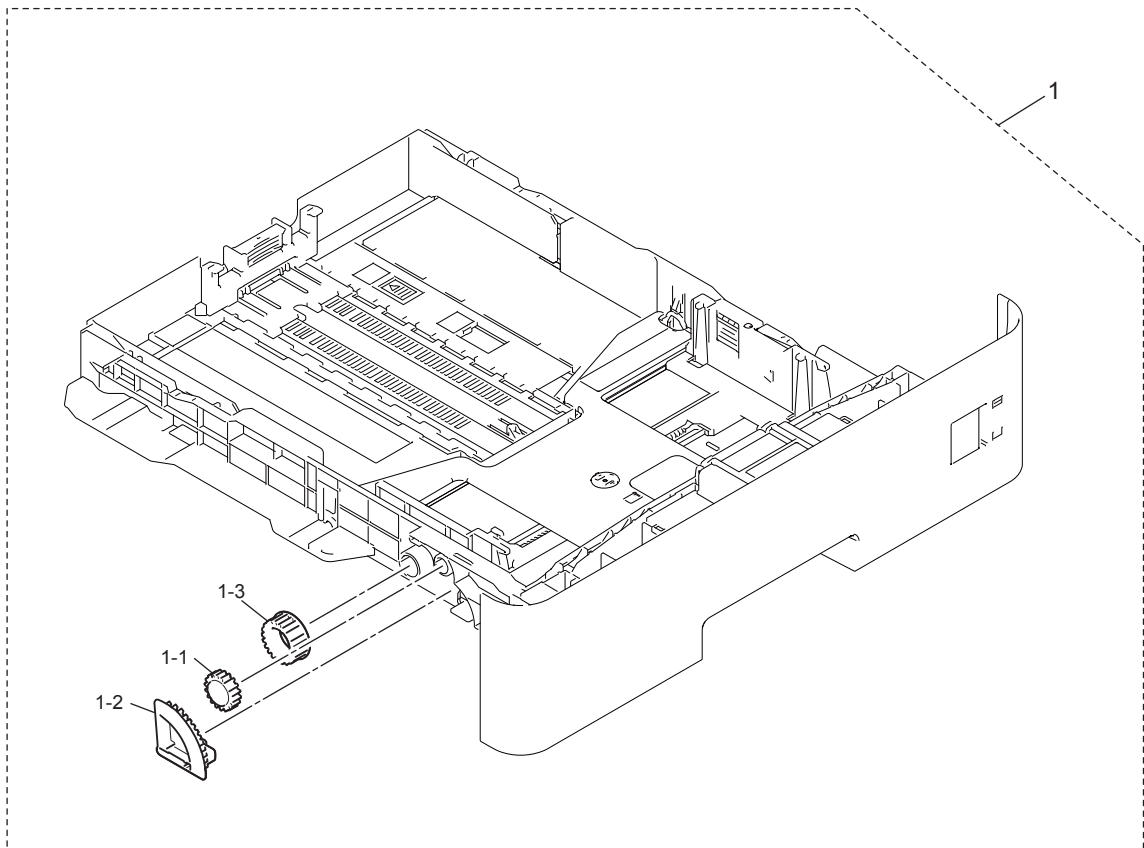
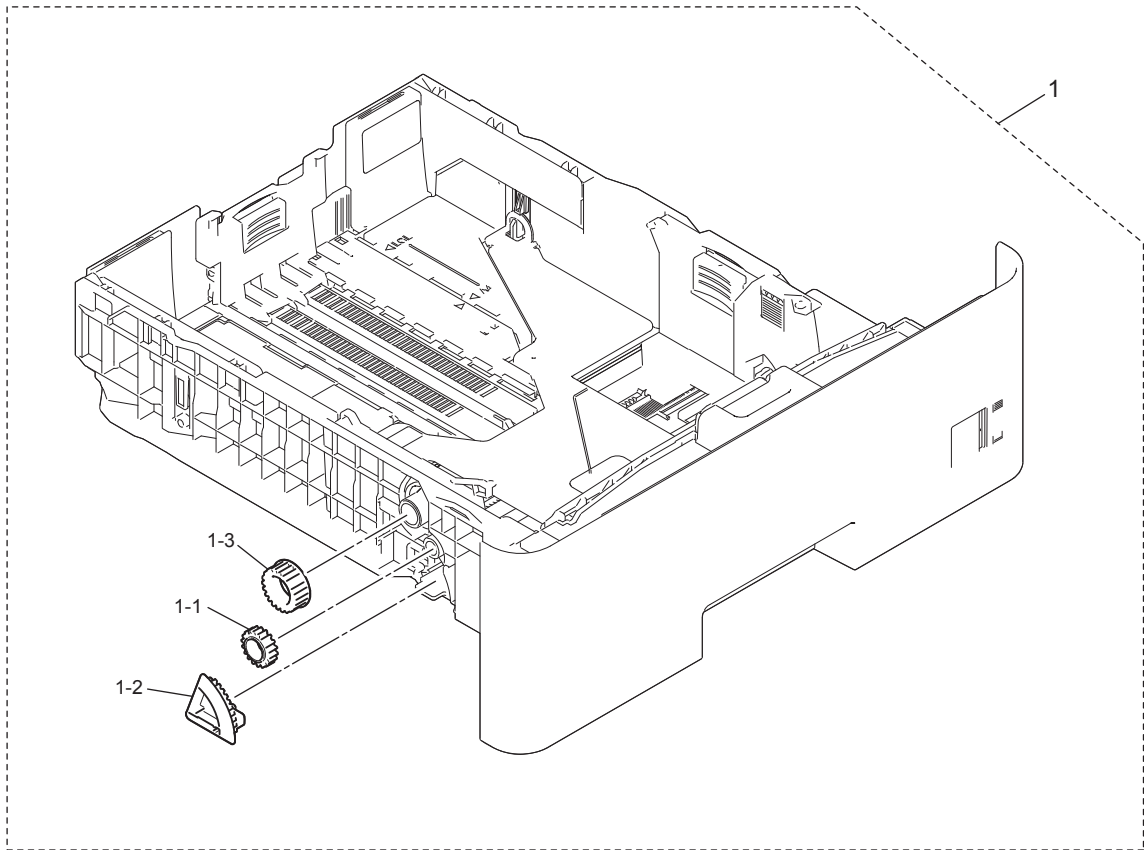
REF No.	CODE	Q'T Y	DESCRIPTION	MODEL	SPEC	REMARKS
1	LV0789001	1	MP PAPER EMPTY SENSOR PCB ASSY			
2	D00510001	1	REGISTRATION FRONT/REAR SENSOR PCB ASSY			
3	D001CW001	1	PAPER EMPTY SENSOR PCB ASSY	HL-5580D		
3	D001CW001	1	PAPER EMPTY SENSOR PCB ASSY	HL-5590DN		
3	D001CW001	1	PAPER EMPTY SENSOR PCB ASSY	HL-5595DN		
3	D001CW001	1	PAPER EMPTY SENSOR PCB ASSY	HL-L6300DW		
3	D001CW001	1	PAPER EMPTY SENSOR PCB ASSY	HL-L6300DWT		
3	D001CW001	1	PAPER EMPTY SENSOR PCB ASSY	HL-L6400DW		
3	D001CW001	1	PAPER EMPTY SENSOR PCB ASSY	HL-L6400DWT		
3	D001CW001	1	PAPER EMPTY SENSOR PCB ASSY	HL-L6402DW		
4	D005KT001	1	EJECT SENSOR PCB ASSY			



6. DX

REF No.	CODE	Q'T Y	DESCRIPTION	MODEL	SPEC	REMARKS
1	D008UH001	1	DUPLEX TRAY (SP)	HL-5580D		
1	D008UH001	1	DUPLEX TRAY (SP)	HL-5585D		
1	D008UH001	1	DUPLEX TRAY (SP)	HL-5590DN		
1	D008UH001	1	DUPLEX TRAY (SP)	HL-5595DN		
1	D008UJ001	1	DUPLEX TRAY (SP)	HL-L5000D	FOR USA/CAN	
1	D008UG001	1	DUPLEX TRAY (SP)	HL-L5000D	FOR GER/UK/CHE/ITA/IBR/ISR/ RUS/FRA/BEL/HOL/PND/CEE	
1	D008UK001	1	DUPLEX TRAY (SP)	HL-L5000D	FOR IRN/SGP/IND	
1	D008UJ001	1	DUPLEX TRAY (SP)	HL-L5100DN	FOR USA	
1	D008UG001	1	DUPLEX TRAY (SP)	HL-L5100DN	FOR GER/UK/ARL/CHE/ITA/IBR/ ISR/TWN/NZ/KOR/RUS/FRA/BEL/ HOL/PND/CEE	
1	D008UK001	1	DUPLEX TRAY (SP)	HL-L5100DN	FOR ARG/CHL/SGP/IND	
1	D008UG001	1	DUPLEX TRAY (SP)	HL-L5100DNT		
1	D008UK001	1	DUPLEX TRAY (SP)	HL-L5102DW		
1	D008UJ001	1	DUPLEX TRAY (SP)	HL-L5200DW	FOR USA/CAN	
1	D008UG001	1	DUPLEX TRAY (SP)	HL-L5200DW	FOR GER/UK/ARL/CHE/ITA/IBR/ NZ/RUS/FRA/BEL/HOL/PND/CEE	
1	D008UK001	1	DUPLEX TRAY (SP)	HL-L5200DW	FOR GULF	
1	D008UJ001	1	DUPLEX TRAY (SP)	HL-L5200DWT	FOR USA	
1	D008UG001	1	DUPLEX TRAY (SP)	HL-L5200DWT	FOR UK/FRA/BEL/HOL/PND	
1	D008UK001	1	DUPLEX TRAY (SP)	HL-L5202DW		
1	D008UJ001	1	DUPLEX TRAY (SP)	HL-L6200DW	FOR USA/CAN	
1	D008UG001	1	DUPLEX TRAY (SP)	HL-L6200DW	FOR ARL/NZ	
1	D008UK001	1	DUPLEX TRAY (SP)	HL-L6200DW	FOR ARG/GULF/SGP/IND	
1	D008UJ001	1	DUPLEX TRAY (SP)	HL-L6200DWT		
1	D008UK001	1	DUPLEX TRAY (SP)	HL-L6202DW		
1	D008UG001	1	DUPLEX TRAY (SP)	HL-L6250DN		
1	D008UJ002	1	DUPLEX TRAY (SP)	HL-L6250DW		
1	D008UJ001	1	DUPLEX TRAY (SP)	HL-L6300DW	FOR USA	
1	D008UG002	1	DUPLEX TRAY (SP)	HL-L6300DW	FOR GER/UK/CHE/ISR/RUS/PND/ GEN	
1	D008UG002	1	DUPLEX TRAY (SP)	HL-L6300DWT		
1	D008UJ002	1	DUPLEX TRAY (SP)	HL-L6400DW	FOR USA/CAN	
1	D008UG002	1	DUPLEX TRAY (SP)	HL-L6400DW	FOR GER/UK/ARL/CHE/ISR/TWN/ NZ/KOR/RUS/PND/GEN	
1	D008UK002	1	DUPLEX TRAY (SP)	HL-L6400DW	FOR ARG/CHL/GULF/SGP	
1	D008UJ002	1	DUPLEX TRAY (SP)	HL-L6400DWT	FOR USA	
1	D008UG002	1	DUPLEX TRAY (SP)	HL-L6400DWT	FOR UK/CHE/RUS/PND/GEN	
1	D008UK002	1	DUPLEX TRAY (SP)	HL-L6402DW		

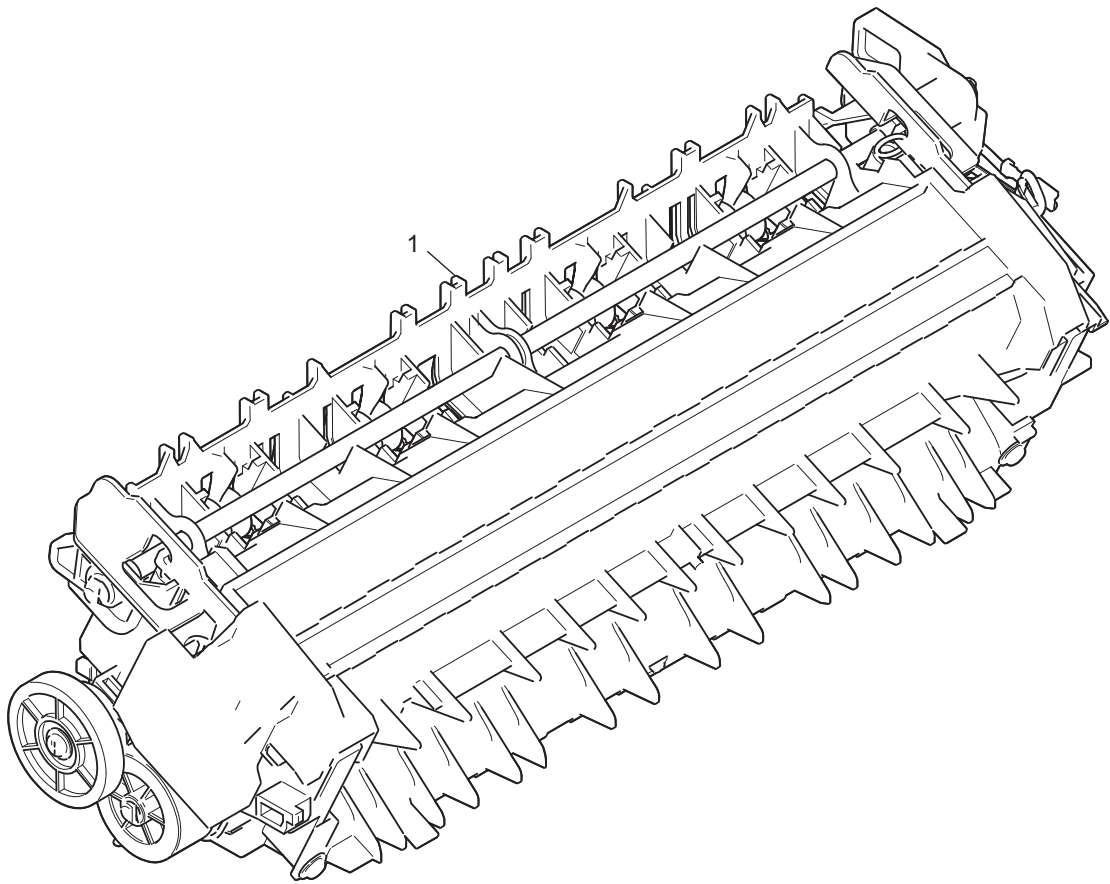
7. PAPER CASSETTE



7. PAPER CASSETTE

REF No.	CODE	Q'T Y	DESCRIPTION	MODEL	SPEC	REMARKS
1	D008XD001	1	PAPER TRAY (SP)	HL-5580D		
1	D008XD001	1	PAPER TRAY (SP)	HL-5585D		
1	D008XD001	1	PAPER TRAY (SP)	HL-5590DN		
1	D008XE001	1	PAPER TRAY (SP)	HL-5595DN		
1	D00551001	1	PAPER TRAY (SP)	HL-L5000D		
1	D00551001	1	PAPER TRAY (SP)	HL-L5100DN		
1	D00551001	1	PAPER TRAY (SP)	HL-L5100DNT		
1	D00551001	1	PAPER TRAY (SP)	HL-L5102DW		
1	D00551001	1	PAPER TRAY (SP)	HL-L5200DW		
1	D00551001	1	PAPER TRAY (SP)	HL-L5200DWT		
1	D00551001	1	PAPER TRAY (SP)	HL-L5202DW		
1	D00690001	1	PAPER TRAY (SP)	HL-L6200DW		
1	D00690001	1	PAPER TRAY (SP)	HL-L6200DWT		
1	D00690001	1	PAPER TRAY (SP)	HL-L6202DW		
1	D00690001	1	PAPER TRAY (SP)	HL-L6250DN		
1	D00690002	1	PAPER TRAY (SP)	HL-L6250DW		
1	D00690001	1	PAPER TRAY (SP)	HL-L6300DW		
1	D00690002	1	PAPER TRAY (SP)	HL-L6300DW	FOR USA FOR GER/UK/CHE/ISR/RUS/PND/ GEN	
1	D00690002	1	PAPER TRAY (SP)	HL-L6300DWT		
1	D00690002	1	PAPER TRAY (SP)	HL-L6400DW		
1	D00690002	1	PAPER TRAY (SP)	HL-L6400DWT		
1	D00690002	1	PAPER TRAY (SP)	HL-L6402DW		
1-1	LY4242001	1	IDLE GEAR Z18M10	HL-5580D		
1-1	LY4242001	1	IDLE GEAR Z18M10	HL-5585D		
1-1	LY4242001	1	IDLE GEAR Z18M10	HL-5590DN		
1-1	LU9365001	1	IDLE GEAR 50 Z18M10	HL-5595DN		
1-1	LY4242001	1	IDLE GEAR Z18M10	HL-L5000D		
1-1	LY4242001	1	IDLE GEAR Z18M10	HL-L5100DN		
1-1	LY4242001	1	IDLE GEAR Z18M10	HL-L5100DNT		
1-1	LY4242001	1	IDLE GEAR Z18M10	HL-L5102DW		
1-1	LY4242001	1	IDLE GEAR Z18M10	HL-L5200DW		
1-1	LY4242001	1	IDLE GEAR Z18M10	HL-L5200DWT		
1-1	LY4242001	1	IDLE GEAR Z18M10	HL-L5202DW		
1-1	LU9365001	1	IDLE GEAR 50 Z18M10	HL-L6200DW		
1-1	LU9365001	1	IDLE GEAR 50 Z18M10	HL-L6200DWT		
1-1	LU9365001	1	IDLE GEAR 50 Z18M10	HL-L6202DW		
1-1	LU9365001	1	IDLE GEAR 50 Z18M10	HL-L6250DN		
1-1	LU9365001	1	IDLE GEAR 50 Z18M10	HL-L6250DW		
1-1	LU9365001	1	IDLE GEAR 50 Z18M10	HL-L6300DW		
1-1	LU9365001	1	IDLE GEAR 50 Z18M10	HL-L6300DWT		
1-1	LU9365001	1	IDLE GEAR 50 Z18M10	HL-L6400DW		
1-1	LU9365001	1	IDLE GEAR 50 Z18M10	HL-L6400DWT		
1-1	LU9365001	1	IDLE GEAR 50 Z18M10	HL-L6402DW		
1-2	LY4241001	1	LIFT GEAR Z27M10	HL-5580D		
1-2	LY4241001	1	LIFT GEAR Z27M10	HL-5585D		
1-2	LY4241001	1	LIFT GEAR Z27M10	HL-5590DN		
1-2	LY4516001	1	LIFT GEAR Z48M10	HL-5595DN		
1-2	LY4241001	1	LIFT GEAR Z27M10	HL-L5000D		
1-2	LY4241001	1	LIFT GEAR Z27M10	HL-L5100DN		
1-2	LY4241001	1	LIFT GEAR Z27M10	HL-L5100DNT		
1-2	LY4241001	1	LIFT GEAR Z27M10	HL-L5102DW		
1-2	LY4241001	1	LIFT GEAR Z27M10	HL-L5200DW		
1-2	LY4241001	1	LIFT GEAR Z27M10	HL-L5200DWT		
1-2	LY4241001	1	LIFT GEAR Z27M10	HL-L5202DW		
1-2	LY4516001	1	LIFT GEAR Z48M10	HL-L6200DW		
1-2	LY4516001	1	LIFT GEAR Z48M10	HL-L6200DWT		
1-2	LY4516001	1	LIFT GEAR Z48M10	HL-L6202DW		
1-2	LY4516001	1	LIFT GEAR Z48M10	HL-L6250DN		
1-2	LY4516001	1	LIFT GEAR Z48M10	HL-L6250DW		
1-2	LY4516001	1	LIFT GEAR Z48M10	HL-L6300DW		
1-2	LY4516001	1	LIFT GEAR Z48M10	HL-L6300DWT		
1-2	LY4516001	1	LIFT GEAR Z48M10	HL-L6400DW		
1-2	LY4516001	1	LIFT GEAR Z48M10	HL-L6400DWT		
1-2	LY4516001	1	LIFT GEAR Z48M10	HL-L6402DW		
1-3	LY4243001	1	GEAR Z22M10			

8. FIXING UNIT



8. FIXING UNIT

REF No.	CODE	QTY	DESCRIPTION	MODEL	SPEC	REMARKS
1	D008AE001	1	FUSER UNIT (SP)	HL-5580D		
1	D008AE001	1	FUSER UNIT (SP)	HL-5585D		
1	D008AE001	1	FUSER UNIT (SP)	HL-5590DN		
1	D008AL001	1	FUSER UNIT (SP)	HL-5595DN		
1	D008AE001	1	FUSER UNIT (SP)	HL-L5000D	FOR GER/UK/CHE/ITA/IBR/ISR/ IRN/SGP/IND/RUS/FRA/BEL/HOL/ PND/CEE	
1	D005WR001	1	FUSER UNIT (SP)	HL-L5000D	FOR USA/CAN	
1	D008AE001	1	FUSER UNIT (SP)	HL-L5100DN	FOR GER/UK/ARL/CHE/ITA/IBR/ ISR/NZ/ARG/CHL/SGP/KOR/IND/ RUS/FRA/BEL/HOL/PND/CEE	
1	D005WR001	1	FUSER UNIT (SP)	HL-L5100DN	FOR USA/TWN	
1	D008AE001	1	FUSER UNIT (SP)	HL-L5100DNT		
1	D008AH001	1	FUSER UNIT (SP)	HL-L5102DW		
1	D008AE001	1	FUSER UNIT (SP)	HL-L5200DW	FOR GER/UK/ARL/CHE/ITA/IBR/ NZ/GULF/RUS/FRA/BEL/HOL/PND/ CEE	
1	D005WR001	1	FUSER UNIT (SP)	HL-L5200DW	FOR USA/CAN	
1	D008AE001	1	FUSER UNIT (SP)	HL-L5200DWT	FOR UK/FRA/BEL/HOL/PND	
1	D005WR001	1	FUSER UNIT (SP)	HL-L5200DWT	FOR USA	
1	D008AH001	1	FUSER UNIT (SP)	HL-L5202DW		
1	D008AL001	1	FUSER UNIT (SP)	HL-L6200DW	FOR ARL/NZ/ARG/GULF/SGP/IND	
1	D008AK001	1	FUSER UNIT (SP)	HL-L6200DW	FOR USA/CAN	
1	D008AK001	1	FUSER UNIT (SP)	HL-L6200DWT		
1	D008AM001	1	FUSER UNIT (SP)	HL-L6202DW		
1	D0096U001	1	FUSER UNIT (SP)	HL-L6250DN		
1	D008AK001	1	FUSER UNIT (SP)	HL-L6250DW		
1	D0096U001	1	FUSER UNIT (SP)	HL-L6300DW	FOR GER/UK/CHE/ISR/RUS/PND/ GEN	
1	D008AK001	1	FUSER UNIT (SP)	HL-L6300DW	FOR USA	
1	D0096U001	1	FUSER UNIT (SP)	HL-L6300DWT		
1	D008AL001	1	FUSER UNIT (SP)	HL-L6400DW	FOR ARL/NZ/ARG/CHL/GULF/SGP/ KOR	
1	D0096U001	1	FUSER UNIT (SP)	HL-L6400DW	FOR GER/UK/CHE/ISR/RUS/PND/ GEN	
1	D008AK001	1	FUSER UNIT (SP)	HL-L6400DW	FOR USA/CAN/TWN	
1	D0096U001	1	FUSER UNIT (SP)	HL-L6400DWT	FOR UK/CHE/RUS/PND/GEN	
1	D008AK001	1	FUSER UNIT (SP)	HL-L6400DWT	FOR USA	
1	D008AM001	1	FUSER UNIT (SP)	HL-L6402DW		

Fig.1/2

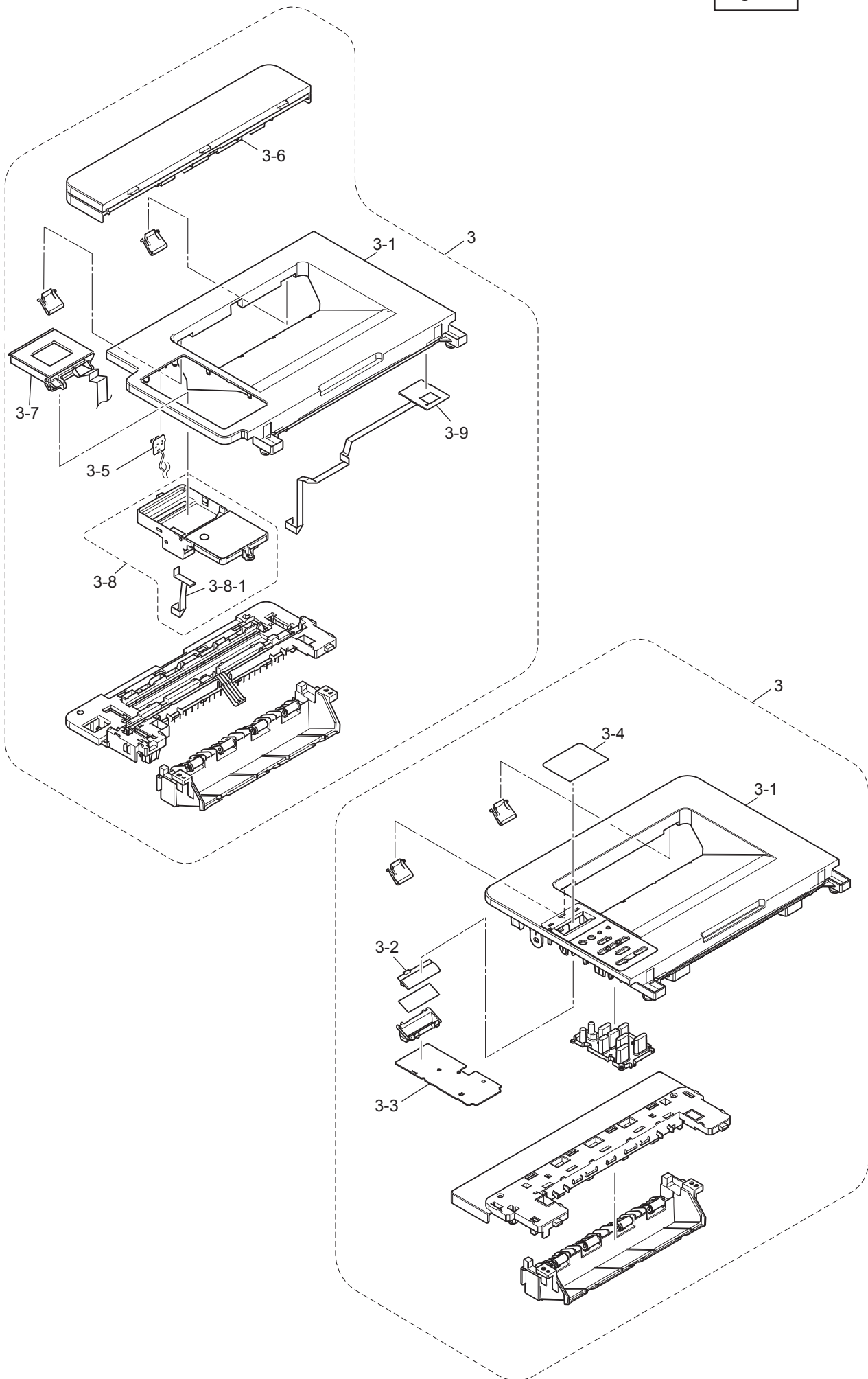
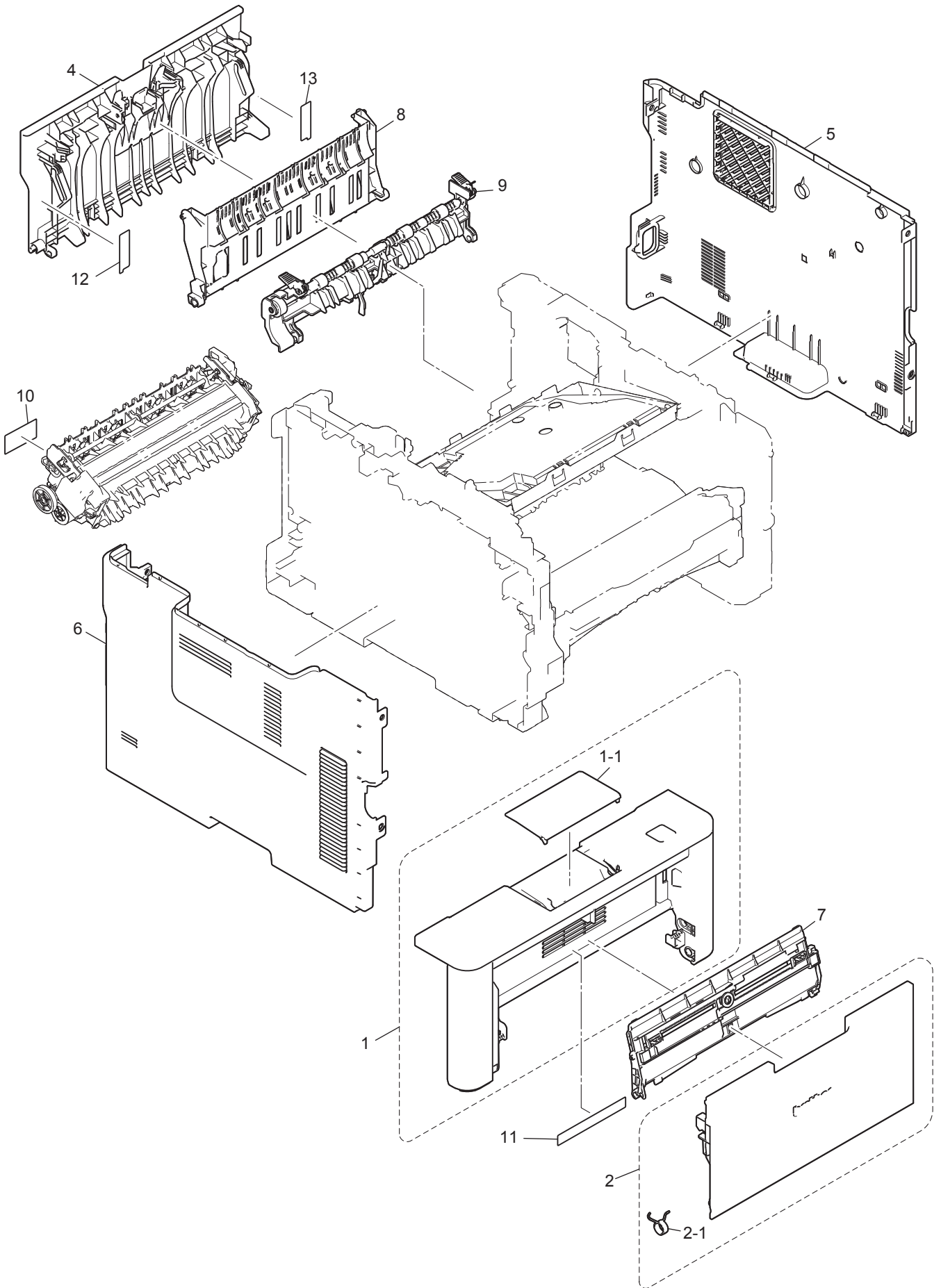


Fig.2/2



9. COVERS & LABELS

REF No.	CODE	Q/T Y	DESCRIPTION	MODEL	SPEC	REMARKS
1	D003F2001	1	FRONT COVER ASSY	HL-5580D		
1	D003F2001	1	FRONT COVER ASSY	HL-5585D		
1	D003F2001	1	FRONT COVER ASSY	HL-5590DN		
1	D003F2001	1	FRONT COVER ASSY	HL-5595DN		
1	D008G1001	1	FRONT COVER ASSY	HL-L5000D	FOR USA/CAN	
1	D00056001	1	FRONT COVER ASSY	HL-L5000D	FOR GER/UK/CHE/ITA/IBR/RUS/ FRA/BEL/HOL/PND/CEE	
1	D005LY001	1	FRONT COVER ASSY	HL-L5000D	FOR ISR	
1	D006WJ001	1	FRONT COVER ASSY	HL-L5000D	FOR IRN	
1	D003KL001	1	FRONT COVER ASSY	HL-L5000D	FOR SGP/IND	
1	D008G1001	1	FRONT COVER ASSY	HL-L5100DN	FOR USA	
1	D00056001	1	FRONT COVER ASSY	HL-L5100DN	FOR GER/UK/CHE/ITA/IBR/RUS/ FRA/BEL/HOL/PND/CEE	
1	D005NK001	1	FRONT COVER ASSY	HL-L5100DN	FOR ARL	
1	D005LY001	1	FRONT COVER ASSY	HL-L5100DN	FOR ISR	
1	D005NL001	1	FRONT COVER ASSY	HL-L5100DN	FOR NZ	
1	D005Y9001	1	FRONT COVER ASSY	HL-L5100DN	FOR ARG/CHL	
1	D003KL001	1	FRONT COVER ASSY	HL-L5100DN	FOR TWN/SGP/KOR/IND	
1	D00056001	1	FRONT COVER ASSY	HL-L5100DNT		
1	D003KB001	1	FRONT COVER ASSY	HL-L5102DW		
1	D008G1001	1	FRONT COVER ASSY	HL-L5200DW	FOR USA/CAN	
1	D00056001	1	FRONT COVER ASSY	HL-L5200DW	FOR GER/UK/CHE/ITA/IBR/RUS/ FRA/BEL/HOL/PND/CEE	
1	D005NK001	1	FRONT COVER ASSY	HL-L5200DW	FOR ARL	
1	D005NL001	1	FRONT COVER ASSY	HL-L5200DW	FOR NZ	
1	D006WJ001	1	FRONT COVER ASSY	HL-L5200DW	FOR GULF	
1	D008G1001	1	FRONT COVER ASSY	HL-L5200DWT	FOR USA	
1	D00056001	1	FRONT COVER ASSY	HL-L5200DWT	FOR UK/FRA/BEL/HOL/PND	
1	D003KB001	1	FRONT COVER ASSY	HL-L5202DW		
1	D003R8001	1	FRONT COVER ASSY	HL-L6200DW	FOR USA/CAN	
1	D005MY001	1	FRONT COVER ASSY	HL-L6200DW	FOR ARL	
1	D005MZ001	1	FRONT COVER ASSY	HL-L6200DW	FOR NZ	
1	D005Y9001	1	FRONT COVER ASSY	HL-L6200DW	FOR ARG	
1	D006WJ001	1	FRONT COVER ASSY	HL-L6200DW	FOR GULF	
1	D003KL001	1	FRONT COVER ASSY	HL-L6200DW	FOR SGP/IND	
1	D003R8001	1	FRONT COVER ASSY	HL-L6200DWT		
1	D003KB001	1	FRONT COVER ASSY	HL-L6202DW		
1	D004VF001	1	FRONT COVER ASSY	HL-L6250DN		
1	D003R8002	1	FRONT COVER ASSY	HL-L6250DW		
1	D004NP002	1	FRONT COVER ASSY	HL-L6300DW	FOR USA	
1	D000DW001	1	FRONT COVER ASSY	HL-L6300DW	FOR GER/UK/CHE/RUS/PND/GEN	
1	D0067A001	1	FRONT COVER ASSY	HL-L6300DW	FOR ISR	
1	D000DW001	1	FRONT COVER ASSY	HL-L6300DWT		
1	D004NP003	1	FRONT COVER ASSY	HL-L6400DW	FOR USA/CAN	
1	D000DW001	1	FRONT COVER ASSY	HL-L6400DW	FOR GER/UK/CHE/RUS/PND/GEN	
1	D00655001	1	FRONT COVER ASSY	HL-L6400DW	FOR ARL	
1	D0067A001	1	FRONT COVER ASSY	HL-L6400DW	FOR ISR	
1	D006RN001	1	FRONT COVER ASSY	HL-L6400DW	FOR TWN/SGP/KOR	
1	D00653001	1	FRONT COVER ASSY	HL-L6400DW	FOR NZ	
1	D005YM001	1	FRONT COVER ASSY	HL-L6400DW	FOR ARG/CHL	
1	D006X6001	1	FRONT COVER ASSY	HL-L6400DW	FOR GULF	
1	D004NP003	1	FRONT COVER ASSY	HL-L6400DWT	FOR USA	
1	D000DW001	1	FRONT COVER ASSY	HL-L6400DWT	FOR UK/CHE/RUS/PND/GEN	
1	D003KU001	1	FRONT COVER ASSY	HL-L6402DW		
1-1	D0005D001	1	PAPER STOPPER	HL-5580D		
1-1	D0005D001	1	PAPER STOPPER	HL-5585D		
1-1	D0005D001	1	PAPER STOPPER	HL-5590DN		
1-1	D0005D001	1	PAPER STOPPER	HL-5595DN		
1-1	D0005D001	1	PAPER STOPPER	HL-L5000D		
1-1	D0005D001	1	PAPER STOPPER	HL-L5100DN		
1-1	D0005D001	1	PAPER STOPPER	HL-L5100DNT		
1-1	D0005D001	1	PAPER STOPPER	HL-L5102DW		
1-1	D0005D001	1	PAPER STOPPER	HL-L5200DW		
1-1	D0005D001	1	PAPER STOPPER	HL-L5200DWT		
1-1	D0005D001	1	PAPER STOPPER	HL-L5202DW		
1-1	D0005D001	1	PAPER STOPPER	HL-L6200DW		
1-1	D0005D001	1	PAPER STOPPER	HL-L6200DWT		
1-1	D0005D001	1	PAPER STOPPER	HL-L6202DW		
1-1	D0005D002	1	PAPER STOPPER	HL-L6250DN		
1-1	D0005D002	1	PAPER STOPPER	HL-L6250DW		
1-1	D0005D001	1	PAPER STOPPER	HL-L6300DW	FOR USA	

chg

9. COVERS & LABELS

REF No.	CODE	QTY	DESCRIPTION	MODEL	SPEC	REMARKS
1-1	D0005D002	1	PAPER STOPPER	HL-L6300DW	FOR GER/UK/CHE/ISR/RUS/PND /GEN	
1-1	D0005D002	1	PAPER STOPPER	HL-L6300DWT		
1-1	D0005D002	1	PAPER STOPPER	HL-L6400DW		
1-1	D0005D002	1	PAPER STOPPER	HL-L6400DWT		
1-1	D0005D002	1	PAPER STOPPER	HL-L6402DW		
2	D008GF001	1	MP TRAY COVER ASSY SP	HL-5580D		
2	D008GF001	1	MP TRAY COVER ASSY SP	HL-5585D		
2	D008GF001	1	MP TRAY COVER ASSY SP	HL-5590DN		
2	D008GF001	1	MP TRAY COVER ASSY SP	HL-5595DN		
2	D008GF001	1	MP TRAY COVER ASSY SP	HL-L5000D		
2	D008GF001	1	MP TRAY COVER ASSY SP	HL-L5100DN		
2	D008GF001	1	MP TRAY COVER ASSY SP	HL-L5100DNT		
2	D008GF001	1	MP TRAY COVER ASSY SP	HL-L5102DW		
2	D008GF001	1	MP TRAY COVER ASSY SP	HL-L5200DW		
2	D008GF001	1	MP TRAY COVER ASSY SP	HL-L5200DWT		
2	D008GF001	1	MP TRAY COVER ASSY SP	HL-L5202DW		
2	D008GF001	1	MP TRAY COVER ASSY SP	HL-L6200DW		
2	D008GF001	1	MP TRAY COVER ASSY SP	HL-L6200DWT		
2	D008GF001	1	MP TRAY COVER ASSY SP	HL-L6202DW		
2	D008GF001	1	MP TRAY COVER ASSY SP	HL-L6250DN		
2	D008GF002	1	MP TRAY COVER ASSY SP	HL-L6250DW		
2	D008GG001	1	MP TRAY COVER ASSY SP	HL-L6300DW	FOR USA	
2	D008GG002	1	MP TRAY COVER ASSY SP	HL-L6300DW	FOR GER/UK/CHE/ISR/RUS/PND/ GEN	
2	D008GG002	1	MP TRAY COVER ASSY SP	HL-L6300DWT		
2	D008GG002	1	MP TRAY COVER ASSY SP	HL-L6400DW		
2	D008GG002	1	MP TRAY COVER ASSY SP	HL-L6400DWT		
2	D008GG002	1	MP TRAY COVER ASSY SP	HL-L6402DW		
2-1	D000TH001	1	MP DAMPER SPRING	HL-5580D		
2-1	D000TH001	1	MP DAMPER SPRING	HL-5585D		
2-1	D000TH001	1	MP DAMPER SPRING	HL-5590DN		
2-1	D000TH001	1	MP DAMPER SPRING	HL-5595DN		
2-1	D000TH001	1	MP DAMPER SPRING	HL-L5000D		
2-1	D000TH001	1	MP DAMPER SPRING	HL-L5100DN		
2-1	D000TH001	1	MP DAMPER SPRING	HL-L5100DNT		
2-1	D000TH001	1	MP DAMPER SPRING	HL-L5102DW		
2-1	D000TH001	1	MP DAMPER SPRING	HL-L5200DW		
2-1	D000TH001	1	MP DAMPER SPRING	HL-L5200DWT		
2-1	D000TH001	1	MP DAMPER SPRING	HL-L5202DW		
2-1	D000TH001	1	MP DAMPER SPRING	HL-L6200DW		
2-1	D000TH001	1	MP DAMPER SPRING	HL-L6200DWT		
2-1	D000TH001	1	MP DAMPER SPRING	HL-L6202DW		
2-1	D000TH001	1	MP DAMPER SPRING	HL-L6250DN		
2-1	D000TH001	1	MP DAMPER SPRING	HL-L6250DW		
2-1	D007PP001	1	MP DAMPER SPRING	HL-L6300DW		
2-1	D007PP001	1	MP DAMPER SPRING	HL-L6300DWT		
2-1	D007PP001	1	MP DAMPER SPRING	HL-L6400DW		
2-1	D007PP001	1	MP DAMPER SPRING	HL-L6400DWT		
2-1	D007PP001	1	MP DAMPER SPRING	HL-L6402DW		
3	D0091R001	1	TOP COVER ASSY (SP)	HL-5580D		
3	D0091P001	1	TOP COVER ASSY (SP)	HL-5585D		
3	D0091D001	1	TOP COVER ASSY (SP)	HL-5590DN		
3	D0091C001	1	TOP COVER ASSY (SP)	HL-5595DN		
3	D0091V001	1	TOP COVER ASSY (SP)	HL-L5000D		
3	D0091X001	1	TOP COVER ASSY (SP)	HL-L5100DN		
3	D0091X001	1	TOP COVER ASSY (SP)	HL-L5100DNT		
3	D0091H001	1	TOP COVER ASSY (SP)	HL-L5102DW		
3	D006TE001	1	TOP COVER ASSY (SP)	HL-L5200DW		
3	D006TE001	1	TOP COVER ASSY (SP)	HL-L5200DWT		
3	D0091F001	1	TOP COVER ASSY (SP)	HL-L5202DW		
3	D0091B001	1	TOP COVER ASSY (SP)	HL-L6200DW		
3	D0091B001	1	TOP COVER ASSY (SP)	HL-L6200DWT		
3	D0091L001	1	TOP COVER ASSY (SP)	HL-L6202DW		
3	D0091W001	1	TOP COVER ASSY (SP)	HL-L6250DN		
3	D0091N001	1	TOP COVER ASSY (SP)	HL-L6250DW		
3	D00A43001	1	TOP COVER ASSY (SP)	HL-L6300DW	FOR USA	
3	D00920002	1	TOP COVER ASSY (SP)	HL-L6300DW	FOR GER/UK/CHE/ISR/RUS/PND/ GEN	chg
3	D00920002	1	TOP COVER ASSY (SP)	HL-L6300DWT		
3	D006XD001	1	TOP COVER ASSY (SP)	HL-L6400DW		

9. COVERS & LABELS

REF No.	CODE	QTY	DESCRIPTION	MODEL	SPEC	REMARKS
3	D006XD001	1	TOP COVER ASSY (SP)	HL-L6400DWT		
3	D0091J001	1	TOP COVER ASSY (SP)	HL-L6402DW		
3-1	D004RZ001	1	TOP COVER PRINTED ASSY	HL-5580D		
3-1	D004RZ001	1	TOP COVER PRINTED ASSY	HL-5585D		
3-1	D004X1001	1	TOP COVER PRINTED ASSY	HL-5590DN		
3-1	D004X1001	1	TOP COVER PRINTED ASSY	HL-5595DN		
3-1	D004RZ001	1	TOP COVER PRINTED ASSY	HL-L5000D		
3-1	D004X1001	1	TOP COVER PRINTED ASSY	HL-L5100DN		
3-1	D004X1001	1	TOP COVER PRINTED ASSY	HL-L5100DNT		
3-1	D0005Z001	1	TOP COVER PRINTED ASSY	HL-L5102DW		
3-1	D0005Z001	1	TOP COVER PRINTED ASSY	HL-L5200DW		
3-1	D0005Z001	1	TOP COVER PRINTED ASSY	HL-L5200DWT		
3-1	D0005Z001	1	TOP COVER PRINTED ASSY	HL-L5202DW		
3-1	D0005Z001	1	TOP COVER PRINTED ASSY	HL-L6200DW		
3-1	D0005Z001	1	TOP COVER PRINTED ASSY	HL-L6200DWT		
3-1	D0005Z001	1	TOP COVER PRINTED ASSY	HL-L6202DW		
3-1	D004X1002	1	TOP COVER PRINTED ASSY	HL-L6250DN		
3-1	D0005Z002	1	TOP COVER PRINTED ASSY	HL-L6250DW		
3-1	D0053B001	1	TOP COVER PRINTED ASSY	HL-L6300DW		
3-1	D0053B002	1	TOP COVER PRINTED ASSY	HL-L6300DW		
3-1	D0053B002	1	TOP COVER PRINTED ASSY	HL-L6300DWT		
3-1	D001X6001	1	TOP COVER PRINTED ASSY	HL-L6400DW		
3-1	D001X6001	1	TOP COVER PRINTED ASSY	HL-L6400DWT		
3-1	D001X6001	1	TOP COVER PRINTED ASSY	HL-L6402DW		
3-2	A51299001	1	LCD	HL-5580D		
3-2	A51299001	1	LCD	HL-5585D		
3-2	A51299001	1	LCD	HL-5590DN		
3-2	A51299001	1	LCD	HL-5595DN		
3-2	A51299001	1	LCD	HL-L5000D		
3-2	A51299001	1	LCD	HL-L5100DN		
3-2	A51299001	1	LCD	HL-L5100DNT		
3-2	A51299001	1	LCD	HL-L5102DW		
3-2	A51299001	1	LCD	HL-L5200DW		
3-2	A51299001	1	LCD	HL-L5200DWT		
3-2	A51299001	1	LCD	HL-L5202DW		
3-2	A51299001	1	LCD	HL-L6200DW		
3-2	A51299001	1	LCD	HL-L6200DWT		
3-2	A51299001	1	LCD	HL-L6202DW		
3-2	A51299001	1	LCD	HL-L6250DN		
3-2	A51299001	1	LCD	HL-L6250DW		
3-3	D0000P001	1	PANEL PCB ASSY	HL-5580D		
3-3	D0000P001	1	PANEL PCB ASSY	HL-5585D		
3-3	D0000P001	1	PANEL PCB ASSY	HL-5590DN		
3-3	D0000P001	1	PANEL PCB ASSY	HL-5595DN		
3-3	D0000P001	1	PANEL PCB ASSY	HL-L5000D		
3-3	D0000P001	1	PANEL PCB ASSY	HL-L5100DN		
3-3	D0000P001	1	PANEL PCB ASSY	HL-L5100DNT		
3-3	D0000P001	1	PANEL PCB ASSY	HL-L5102DW		
3-3	D0000P001	1	PANEL PCB ASSY	HL-L5200DW		
3-3	D0000P001	1	PANEL PCB ASSY	HL-L5200DWT		
3-3	D0000P001	1	PANEL PCB ASSY	HL-L5202DW		
3-3	D0000P001	1	PANEL PCB ASSY	HL-L6200DW		
3-3	D0000P001	1	PANEL PCB ASSY	HL-L6200DWT		
3-3	D0000P001	1	PANEL PCB ASSY	HL-L6202DW		
3-3	D0000P001	1	PANEL PCB ASSY	HL-L6202DW		
3-3	D0000P001	1	PANEL PCB ASSY	HL-L6250DN		
3-3	D0000P001	1	PANEL PCB ASSY	HL-L6250DW		
3-4	D003RS001	1	LCD SHEET	HL-5580D		
3-4	D003RK001	1	LCD SHEET	HL-5585D		
3-4	D003J6001	1	LCD SHEET	HL-5590DN		
3-4	D003FA001	1	LCD SHEET	HL-5595DN		
3-4	D004R7001	1	LCD SHEET	HL-L5000D		
3-4	D003EU001	1	LCD SHEET	HL-L5100DN		
3-4	D003EU001	1	LCD SHEET	HL-L5100DNT		
3-4	D003KS001	1	LCD SHEET	HL-L5102DW		
3-4	D0005R001	1	LCD SHEET	HL-L5200DW		
3-4	D0005R001	1	LCD SHEET	HL-L5200DWT		
3-4	D003KD001	1	LCD SHEET	HL-L5202DW		
3-4	D001X5001	1	LCD SHEET	HL-L6200DW		
3-4	D001X5001	1	LCD SHEET	HL-L6200DWT		
3-4	D003LU001	1	LCD SHEET	HL-L6202DW		

FOR USA
FOR GER/UK/CHE/ISR/RUS/PND/
GEN

9. COVERS & LABELS

REF No.	CODE	QTY	DESCRIPTION	MODEL	SPEC	REMARKS
3-5	D000CX001	1	STACK SENSOR PCB ASSY	HL-L6300DW		
3-5	D000CX001	1	STACK SENSOR PCB ASSY	HL-L6300DWT		
3-5	D000CX001	1	STACK SENSOR PCB ASSY	HL-L6400DW		
3-5	D000CX001	1	STACK SENSOR PCB ASSY	HL-L6400DWT		
3-5	D000CX001	1	STACK SENSOR PCB ASSY	HL-L6402DW		
3-6	D001BE004	1	MX COVER ASSY	HL-L6300DW	FOR USA	
3-6	D001BE002	1	MX COVER ASSY	HL-L6300DW	FOR GER/UK/CHE/ISR/RUS/PND/ GEN	
3-6	D001BE002	1	MX COVER ASSY	HL-L6300DWT		
3-6	D001BE002	1	MX COVER ASSY	HL-L6400DW		
3-6	D001BE002	1	MX COVER ASSY	HL-L6400DWT		
3-6	D001BE002	1	MX COVER ASSY	HL-L6402DW		
3-7	D009Y2001	1	LCD PANEL ASSY	HL-L6300DW	FOR USA	chg
3-7	D0053F002	1	LCD PANEL ASSY	HL-L6300DW	FOR GER/UK/CHE/ISR/RUS/PND/ GEN	
3-7	D0053F002	1	LCD PANEL ASSY	HL-L6300DWT		
3-7	D001UB001	1	LCD PANEL ASSY	HL-L6400DW		
3-7	D001UB001	1	LCD PANEL ASSY	HL-L6400DWT		
3-7	D003L1001	1	LCD PANEL ASSY	HL-L6402DW		
3-8	D0077L002	1	PANEL COVER CASE UPPER (SP)	HL-L6300DW	FOR USA	
3-8	D0077L001	1	PANEL COVER CASE UPPER (SP)	HL-L6300DW	FOR GER/UK/CHE/ISR/RUS/PND/ GEN	
3-8	D0077L001	1	PANEL COVER CASE UPPER (SP)	HL-L6300DWT		
3-8	D0077L001	1	PANEL COVER CASE UPPER (SP)	HL-L6400DW		
3-8	D0077L001	1	PANEL COVER CASE UPPER (SP)	HL-L6400DWT		
3-8	D0077L001	1	PANEL COVER CASE UPPER (SP)	HL-L6402DW		
3-8-1	D000D3001	1	KEY PCB FLAT CABLE	HL-L6300DW		
3-8-1	D000D3001	1	KEY PCB FLAT CABLE	HL-L6300DWT		
3-8-1	D000D3001	1	KEY PCB FLAT CABLE	HL-L6400DW		
3-8-1	D000D3001	1	KEY PCB FLAT CABLE	HL-L6400DWT		
3-8-1	D000D3001	1	KEY PCB FLAT CABLE	HL-L6402DW		
3-9	D0000T002	1	NFC PCB ASSY	HL-L6300DW		
3-9	D0000T002	1	NFC PCB ASSY	HL-L6300DWT		
3-9	D0000T002	1	NFC PCB ASSY	HL-L6400DW		
3-9	D0000T002	1	NFC PCB ASSY	HL-L6400DWT		
3-9	D0000T002	1	NFC PCB ASSY	HL-L6402DW		
4	D0021L001	1	BACK COVER	HL-5580D		
4	D0021L001	1	BACK COVER	HL-5585D		
4	D0021L001	1	BACK COVER	HL-5590DN		
4	D0021L001	1	BACK COVER	HL-5595DN		
4	D0005J001	1	BACK COVER	HL-L5000D		
4	D0005J001	1	BACK COVER	HL-L5100DN		
4	D0005J001	1	BACK COVER	HL-L5100DNT		
4	D0005J001	1	BACK COVER	HL-L5102DW		
4	D0005J001	1	BACK COVER	HL-L5200DW		
4	D0005J001	1	BACK COVER	HL-L5200DWT		
4	D0005J001	1	BACK COVER	HL-L5202DW		
4	D0005J001	1	BACK COVER	HL-L6200DW		
4	D0005J001	1	BACK COVER	HL-L6200DWT		
4	D0005J001	1	BACK COVER	HL-L6202DW		
4	D0005J001	1	BACK COVER	HL-L6250DN		
4	D0005J002	1	BACK COVER	HL-L6250DW		
4	D0014D001	1	BACK COVER	HL-L6300DW	FOR USA	
4	D0014D002	1	BACK COVER	HL-L6300DW	FOR GER/UK/CHE/ISR/RUS/PND/ GEN	
4	D0014D002	1	BACK COVER	HL-L6300DWT		
4	D0014D002	1	BACK COVER	HL-L6400DW		
4	D0014D002	1	BACK COVER	HL-L6400DWT		
4	D0014D002	1	BACK COVER	HL-L6402DW		
5	D0021H001	1	SIDE COVER R	HL-5580D		
5	D0021H001	1	SIDE COVER R	HL-5585D		
5	D0021H001	1	SIDE COVER R	HL-5590DN		
5	D00300001	1	SIDE COVER R	HL-5595DN		
5	D0005U001	1	SIDE COVER R	HL-L5000D		
5	D0005U001	1	SIDE COVER R	HL-L5100DN		
5	D0005U001	1	SIDE COVER R	HL-L5100DNT		
5	D0005U001	1	SIDE COVER R	HL-L5102DW		
5	D0005U001	1	SIDE COVER R	HL-L5200DW		
5	D0005U001	1	SIDE COVER R	HL-L5200DWT		
5	D0005U001	1	SIDE COVER R	HL-L5202DW		
5	D001VF001	1	SIDE COVER R	HL-L6200DW		

9. COVERS & LABELS

REF No.	CODE	QTY	DESCRIPTION	MODEL	SPEC	REMARKS
5	D001VF001	1	SIDE COVER R	HL-L6200DWT	FOR USA FOR GER/UK/CHE/ISR/RUS/PND/ GEN	
5	D001VF001	1	SIDE COVER R	HL-L6202DW		
5	D001VF001	1	SIDE COVER R	HL-L6250DN		
5	D001VF002	1	SIDE COVER R	HL-L6250DW		
5	D000DT001	1	SIDE COVER R	HL-L6300DW		
5	D000DT002	1	SIDE COVER R	HL-L6300DW		
5	D000DT002	1	SIDE COVER R	HL-L6300DWT		
5	D000DT002	1	SIDE COVER R	HL-L6400DW		
5	D000DT002	1	SIDE COVER R	HL-L6400DWT		
5	D000DT002	1	SIDE COVER R	HL-L6402DW		
6	D0039X001	1	SIDE COVER L	HL-5580D	FOR USA FOR GER/UK/CHE/ISR/RUS/PND/ GEN	
6	D0039K001	1	SIDE COVER L	HL-5585D		
6	D0005Y001	1	SIDE COVER L	HL-5590DN		
6	D001VG001	1	SIDE COVER L	HL-5595DN		
6	D0039X001	1	SIDE COVER L	HL-L5000D		
6	D0005Y001	1	SIDE COVER L	HL-L5100DN		
6	D0005Y001	1	SIDE COVER L	HL-L5100DNT		
6	D0039K001	1	SIDE COVER L	HL-L5102DW		
6	D0005Y001	1	SIDE COVER L	HL-L5200DW		
6	D0005Y001	1	SIDE COVER L	HL-L5200DWT		
6	D0005Y001	1	SIDE COVER L	HL-L5202DW		
6	D001VG001	1	SIDE COVER L	HL-L6200DW		
6	D001VG001	1	SIDE COVER L	HL-L6200DWT		
6	D001VG001	1	SIDE COVER L	HL-L6202DW		
6	D001VG001	1	SIDE COVER L	HL-L6250DN		
6	D001VG002	1	SIDE COVER L	HL-L6250DW		
6	D000DY001	1	SIDE COVER L	HL-L6300DW		
6	D000DY002	1	SIDE COVER L	HL-L6300DW		
6	D000DY002	1	SIDE COVER L	HL-L6300DWT		
6	D000DY002	1	SIDE COVER L	HL-L6400DW		
6	D000DY002	1	SIDE COVER L	HL-L6400DWT		
6	D000DY002	1	SIDE COVER L	HL-L6402DW		
7	LY4174006	1	MP PAPER GUIDE ASSY	HL-5580D	FOR USA FOR GER/UK/CHE/ISR/RUS/PND/ GEN	
7	LY4174006	1	MP PAPER GUIDE ASSY	HL-5585D		
7	LY4174006	1	MP PAPER GUIDE ASSY	HL-5590DN		
7	LY4174006	1	MP PAPER GUIDE ASSY	HL-5595DN		
7	LY4174006	1	MP PAPER GUIDE ASSY	HL-L5000D		
7	LY4174006	1	MP PAPER GUIDE ASSY	HL-L5100DN		
7	LY4174006	1	MP PAPER GUIDE ASSY	HL-L5100DNT		
7	LY4174006	1	MP PAPER GUIDE ASSY	HL-L5102DW		
7	LY4174006	1	MP PAPER GUIDE ASSY	HL-L5200DW		
7	LY4174006	1	MP PAPER GUIDE ASSY	HL-L5200DWT		
7	LY4174006	1	MP PAPER GUIDE ASSY	HL-L5202DW		
7	LY4174006	1	MP PAPER GUIDE ASSY	HL-L6200DW		
7	LY4174006	1	MP PAPER GUIDE ASSY	HL-L6200DWT		
7	LY4174006	1	MP PAPER GUIDE ASSY	HL-L6202DW		
7	LY4174006	1	MP PAPER GUIDE ASSY	HL-L6250DN		
7	LY4174007	1	MP PAPER GUIDE ASSY	HL-L6250DW		
7	D001DW001	1	MP PAPER GUIDE ASSY	HL-L6300DW		
7	D001DW002	1	MP PAPER GUIDE ASSY	HL-L6300DW		
7	D001DW002	1	MP PAPER GUIDE ASSY	HL-L6300DWT		
7	D001DW002	1	MP PAPER GUIDE ASSY	HL-L6400DW		
7	D001DW002	1	MP PAPER GUIDE ASSY	HL-L6400DWT		
7	D001DW002	1	MP PAPER GUIDE ASSY	HL-L6402DW		
8	D00FF5001	1	OUTER CHUTE		FOR USA FOR GER/UK/CHE/ISR/RUS/PND/ GEN	CHG
9	D005WD001	1	FUSER COVER			
10	D004VK001	1	LABEL REAR JAM 17X55	HL-5580D		
10	D004VK001	1	LABEL REAR JAM 17X55	HL-5585D		
10	D004VK001	1	LABEL REAR JAM 17X55	HL-5590DN		
10	D004VK001	1	LABEL REAR JAM 17X55	HL-5595DN		
10	D004VK001	1	LABEL REAR JAM 17X55	HL-L5000D		
10	D004VK001	1	LABEL REAR JAM 17X55	HL-L5100DN		
10	D004VK001	1	LABEL REAR JAM 17X55	HL-L5100DNT		
10	D004VK001	1	LABEL REAR JAM 17X55	HL-L5102DW		
10	D004VK001	1	LABEL REAR JAM 17X55	HL-L5200DW		
10	D004VK001	1	LABEL REAR JAM 17X55	HL-L5200DWT		
10	D004VK001	1	LABEL REAR JAM 17X55	HL-L5202DW		
10	D004VK001	1	LABEL REAR JAM 17X55	HL-L6200DW		

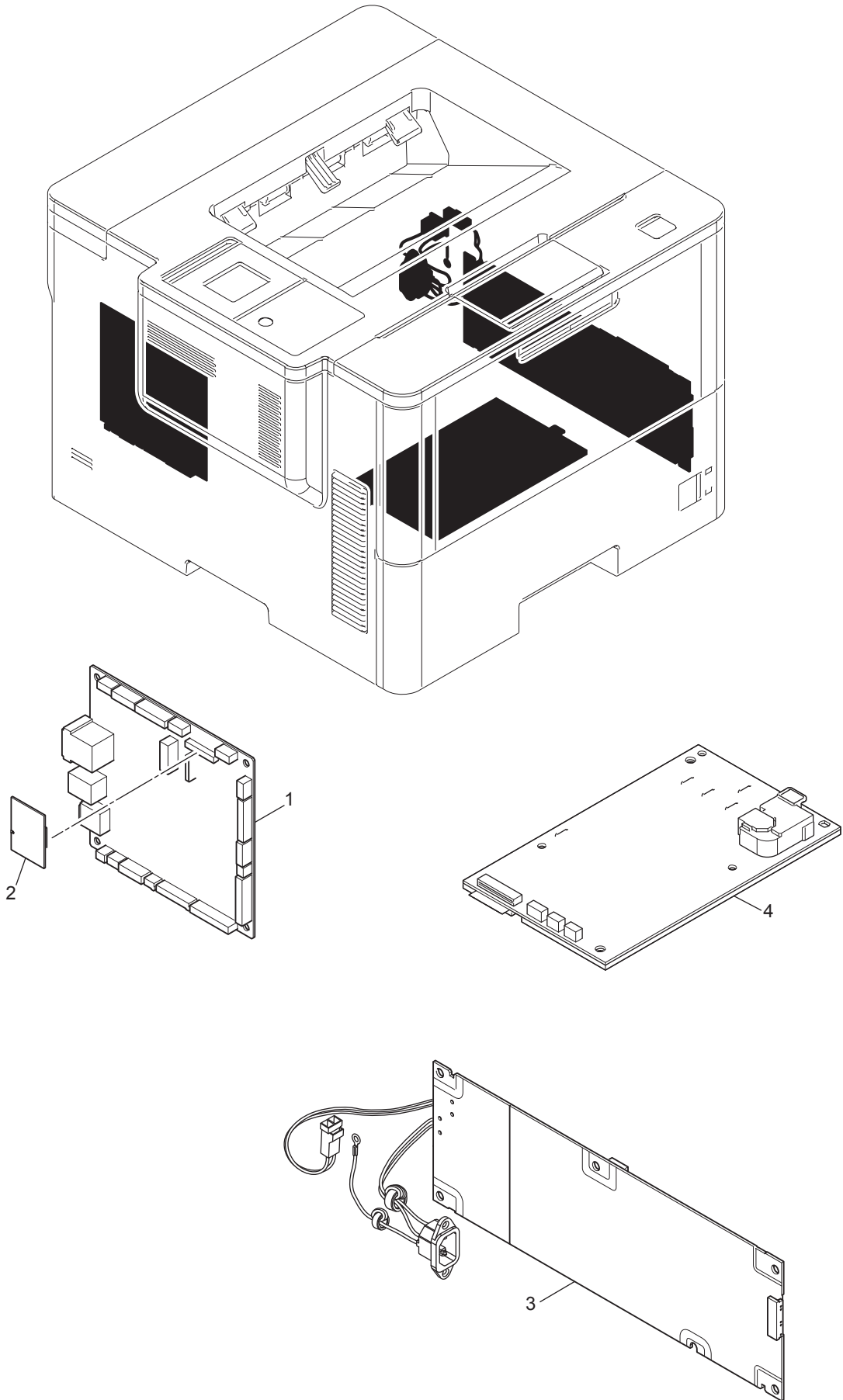
9. COVERS & LABELS

REF No.	CODE	QTY	DESCRIPTION	MODEL	SPEC	REMARKS
10	D004VK001	1	LABEL REAR JAM 17X55	HL-L6200DWT		
10	D004VK001	1	LABEL REAR JAM 17X55	HL-L6202DW		
10	D004VK001	1	LABEL REAR JAM 17X55	HL-L6250DN		
10	D004VK001	1	LABEL REAR JAM 17X55	HL-L6250DW		
10	D004VK001	1	LABEL REAR JAM 17X55	HL-L6300DW		
10	D004VK001	1	LABEL REAR JAM 17X55	HL-L6300DWT		
10	D004VK001	1	LABEL REAR JAM 17X55	HL-L6400DW		
10	D004VK001	1	LABEL REAR JAM 17X55	HL-L6400DWT		
10	D004VK001	1	LABEL REAR JAM 17X55	HL-L6402DW		
11	D003JF001	1	LABEL CAUTION FRONT 14X130	HL-5580D		
11	D003JF001	1	LABEL CAUTION FRONT 14X130	HL-5585D		
11	D003JF001	1	LABEL CAUTION FRONT 14X130	HL-5590DN		
11	D003JF001	1	LABEL CAUTION FRONT 14X130	HL-5595DN		
11	D003JD001	1	LABEL CAUTION FRONT 14X130 US3	HL-L5000D	FOR USA	
11	D003JF001	1	LABEL CAUTION FRONT 14X130	HL-L5000D	FOR CAN/GER/UK/CHE/ITA/IBR/ ISR/IRN/SGP/IND/RUS/FRA/BEL/ HOL/PND/CEE	
11	D003JD001	1	LABEL CAUTION FRONT 14X130 US3	HL-L5100DN	FOR USA	
11	D003JF001	1	LABEL CAUTION FRONT 14X130	HL-L5100DN	FOR GER/UK/ARL/CHE/ITA/IBR/ ISR/TWN/NZ/ARG/CHL/SGP/KOR/ IND/RUS/FRA/BEL/HOL/PND/CEE	
11	D003JF001	1	LABEL CAUTION FRONT 14X130	HL-L5100DNT		
11	D003JF001	1	LABEL CAUTION FRONT 14X130	HL-L5102DW		
11	D003JD001	1	LABEL CAUTION FRONT 14X130 US3	HL-L5200DW	FOR USA	
11	D003JF001	1	LABEL CAUTION FRONT 14X130	HL-L5200DW	FOR CAN/GER/UK/ARL/CHE/ITA/ IBR/NZ/GULF/RUS/FRA/BEL/HOL/ PND/CEE	
11	D003JD001	1	LABEL CAUTION FRONT 14X130 US3	HL-L5200DWT	FOR USA	
11	D003JF001	1	LABEL CAUTION FRONT 14X130	HL-L5200DWT	FOR UK/FRA/BEL/HOL/PND	
11	D003JF001	1	LABEL CAUTION FRONT 14X130	HL-L5202DW		
11	D003JF001	1	LABEL CAUTION FRONT 14X130	HL-L6200DW	FOR CAN/ARL/NZ/ARG/GULF/SGP/ IND	
11	D003JC001	1	LABEL CAUTION FRONT 14X130 US2	HL-L6200DW	FOR USA	
11	D003JC001	1	LABEL CAUTION FRONT 14X130 US2	HL-L6200DWT		
11	D003JF001	1	LABEL CAUTION FRONT 14X130	HL-L6202DW		
11	D003JF001	1	LABEL CAUTION FRONT 14X130	HL-L6250DN		
11	D003JC001	1	LABEL CAUTION FRONT 14X130 US2	HL-L6250DW		
11	D003JF001	1	LABEL CAUTION FRONT 14X130	HL-L6300DW	FOR GER/UK/CHE/ISR/RUS/PND/ GEN	
11	D003JC001	1	LABEL CAUTION FRONT 14X130 US2	HL-L6300DW	FOR USA	
11	D003JF001	1	LABEL CAUTION FRONT 14X130	HL-L6300DWT		
11	D002RV001	1	LABEL CAUTION FRONT 14X130 US1	HL-L6400DW	FOR USA	
11	D003JF001	1	LABEL CAUTION FRONT 14X130	HL-L6400DW	FOR CAN/GER/UK/ARL/CHE/ISR/ TWN/NZ/ARG/CHL/GULF/SGP/ KOR/RUS/PND/GEN	
11	D002RV001	1	LABEL CAUTION FRONT 14X130 US1	HL-L6400DWT	FOR USA	
11	D003JF001	1	LABEL CAUTION FRONT 14X130	HL-L6400DWT	FOR UK/CHE/RUS/PND/GEN	
11	D003JF001	1	LABEL CAUTION FRONT 14X130	HL-L6402DW		
12	LY4574001	1	LABEL H CAUTION REAR 14X72	HL-5580D		
12	LY4574001	1	LABEL H CAUTION REAR 14X72	HL-5585D		
12	LY4574001	1	LABEL H CAUTION REAR 14X72	HL-5590DN		
12	LY4574001	1	LABEL H CAUTION REAR 14X72	HL-5595DN		
12	LY4574001	1	LABEL H CAUTION REAR 14X72	HL-L5000D		
12	LY4574001	1	LABEL H CAUTION REAR 14X72	HL-L5100DN		
12	LY4574001	1	LABEL H CAUTION REAR 14X72	HL-L5100DNT		
12	LY4574001	1	LABEL H CAUTION REAR 14X72	HL-L5102DW		
12	LY4574001	1	LABEL H CAUTION REAR 14X72	HL-L5200DW		
12	LY4574001	1	LABEL H CAUTION REAR 14X72	HL-L5200DWT		
12	LY4574001	1	LABEL H CAUTION REAR 14X72	HL-L5202DW		
12	LY4574001	1	LABEL H CAUTION REAR 14X72	HL-L6200DW		
12	LY4574001	1	LABEL H CAUTION REAR 14X72	HL-L6200DWT		

9. COVERS & LABELS

REF No.	CODE	QTY	DESCRIPTION	MODEL	SPEC	REMARKS
12	LY4574001	1	LABEL H CAUTION REAR 14X72	HL-L6202DW		
12	LY4574001	1	LABEL H CAUTION REAR 14X72	HL-L6250DN		
12	LY4574001	1	LABEL H CAUTION REAR 14X72	HL-L6250DW		
12	D0030F001	1	LABEL H CAUTION REAR 14X42	HL-L6300DW		
12	D0030F001	1	LABEL H CAUTION REAR 14X42	HL-L6300DWT		
12	D0030F001	1	LABEL H CAUTION REAR 14X42	HL-L6400DW		
12	D0030F001	1	LABEL H CAUTION REAR 14X42	HL-L6400DWT		
12	D0030F001	1	LABEL H CAUTION REAR 14X42	HL-L6402DW		
13	D0030G001	1	LABEL S CAUTION REAR 14X42	HL-L6300DW		
13	D0030G001	1	LABEL S CAUTION REAR 14X42	HL-L6300DWT		
13	D0030G001	1	LABEL S CAUTION REAR 14X42	HL-L6400DW		
13	D0030G001	1	LABEL S CAUTION REAR 14X42	HL-L6400DWT		
13	D0030G001	1	LABEL S CAUTION REAR 14X42	HL-L6402DW		

10. PCB



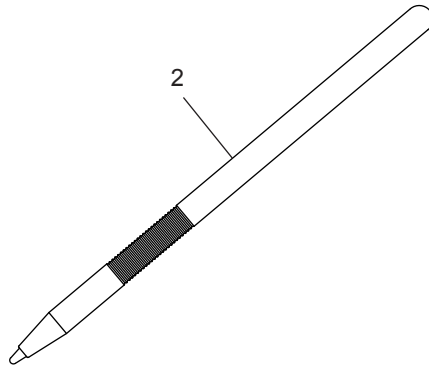
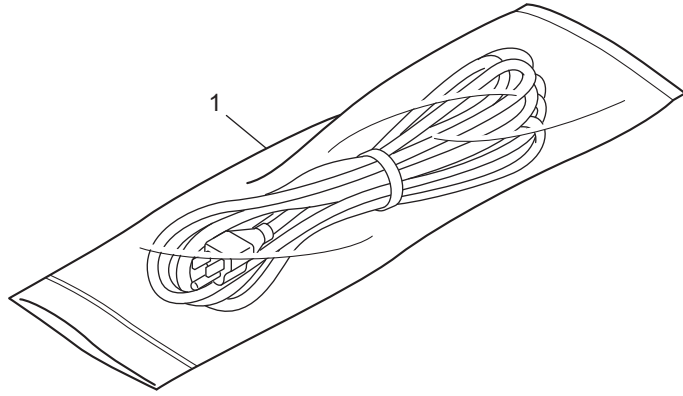
10. PCB

REF No.	CODE	QTY	DESCRIPTION	MODEL	SPEC	REMARKS
1	D000VD020	1	MAIN PCB ASSY	HL-5580D		
1	D001PE020	1	MAIN PCB ASSY	HL-5585D		
1	D000D1020	1	MAIN PCB ASSY	HL-5590DN		
1	D000VH020	1	MAIN PCB ASSY	HL-5595DN		
1	D000VD001	1	MAIN PCB ASSY	HL-L5000D	FOR USA/CAN/GER/UK/CHE/ITA/ IBR/ISR/RUS/FRA/BEL/HOL/PND/ CEE	
1	D000VD040	1	MAIN PCB ASSY	HL-L5000D	FOR IRN/SGP/IND	
1	D000D1001	1	MAIN PCB ASSY	HL-L5100DN	FOR USA/GER/UK/ARL/CHE/ITA/ IBR/ISR/NZ/ARG/CHL/RUS/ FRA/BEL/HOL/PND/CEE	
1	D000D1040	1	MAIN PCB ASSY	HL-L5100DN	FOR TWN/SGP/KOR/IND	
1	D000D1001	1	MAIN PCB ASSY	HL-L5100DNT		
1	D000VJ042	1	MAIN PCB ASSY	HL-L5102DW		
1	D000VG001	1	MAIN PCB ASSY	HL-L5200DW	FOR USA/CAN/GER/UK/ARL/CHE/ ITA/IBR/NZ/RUS/FRA/BEL/HOL/ PND/CEE	
1	D000VG041	1	MAIN PCB ASSY	HL-L5200DW	FOR GULF	
1	D000VG001	1	MAIN PCB ASSY	HL-L5200DWT		
1	D000VG001	1	MAIN PCB ASSY	HL-L5202DW		
1	D000VF001	1	MAIN PCB ASSY	HL-L6200DW	FOR USA/CAN/ARL/NZ/ARG	
1	D000VF040	1	MAIN PCB ASSY	HL-L6200DW	FOR GULF/SGP/IND	
1	D000VF001	1	MAIN PCB ASSY	HL-L6200DWT		
1	D000VF001	1	MAIN PCB ASSY	HL-L6202DW		
1	D000VH003	1	MAIN PCB ASSY	HL-L6250DN		
1	D000VF001	1	MAIN PCB ASSY	HL-L6250DW		
1	D001PJ001	1	MAIN PCB ASSY	HL-L6300DW		
1	D001PJ001	1	MAIN PCB ASSY	HL-L6300DWT		
1	D0000S001	1	MAIN PCB ASSY	HL-L6400DW	FOR USA/CAN/GER/UK/ARL/CHE/ ISR/NZ/ARG/CHL/RUS/PND/GEN FOR TWN/GULF/SGP/KOR	
1	D0000S040	1	MAIN PCB ASSY	HL-L6400DW		
1	D0000S001	1	MAIN PCB ASSY	HL-L6400DWT		
1	D0000S001	1	MAIN PCB ASSY	HL-L6402DW		
2	LD1969001	1	WIRELESS LAN PCB ASSY	HL-L5102DW		chg
2	LD1969001	1	WIRELESS LAN PCB ASSY	HL-L5200DW		chg
2	LD1969001	1	WIRELESS LAN PCB ASSY	HL-L5200DWT		chg
2	LD1969001	1	WIRELESS LAN PCB ASSY	HL-L5202DW		chg
2	LD1969001	1	WIRELESS LAN PCB ASSY	HL-L6200DW		chg
2	LD1969001	1	WIRELESS LAN PCB ASSY	HL-L6200DWT		chg
2	LD1969001	1	WIRELESS LAN PCB ASSY	HL-L6202DW		chg
2	LD1969001	1	WIRELESS LAN PCB ASSY	HL-L6250DW		chg
2	LD1969001	1	WIRELESS LAN PCB ASSY	HL-L6300DW		chg
2	LD1969001	1	WIRELESS LAN PCB ASSY	HL-L6300DWT		chg
2	LD1969001	1	WIRELESS LAN PCB ASSY	HL-L6400DW		chg
2	LD1969001	1	WIRELESS LAN PCB ASSY	HL-L6400DWT		chg
2	LD1969001	1	WIRELESS LAN PCB ASSY	HL-L6402DW		chg
3	D0013K001	1	LOW-VOLTAGE POWER SUPPLY PCB ASSY	HL-5580D		
3	D0013K001	1	LOW-VOLTAGE POWER SUPPLY PCB ASSY	HL-5585D		
3	D0013K001	1	LOW-VOLTAGE POWER SUPPLY PCB ASSY	HL-5590DN		
3	D000WM001	1	LOW-VOLTAGE POWER SUPPLY PCB ASSY	HL-5595DN		
3	D003DH001	1	LOW-VOLTAGE POWER SUPPLY PCB ASSY	HL-L5000D	FOR IND/RUS	
3	D0001B001	1	LOW-VOLTAGE POWER SUPPLY PCB ASSY	HL-L5000D	FOR USA/CAN	
3	D000J7001	1	LOW-VOLTAGE POWER SUPPLY PCB ASSY	HL-L5000D	FOR GER/UK/CHE/ITA/IBR/ISR/ IRN/SGP/FRA/BEL/HOL/PND/CEE	
3	D003DH001	1	LOW-VOLTAGE POWER SUPPLY PCB ASSY	HL-L5100DN	FOR IND/RUS	
3	D0001B001	1	LOW-VOLTAGE POWER SUPPLY PCB ASSY	HL-L5100DN	FOR USA/TWN	
3	D000J7001	1	LOW-VOLTAGE POWER SUPPLY PCB ASSY	HL-L5100DN	FOR GER/UK/ARL/CHE/ITA/IBR/ ISR/NZ/ARG/CHL/SGP/KOR/ FRA/BEL/HOL/PND/CEE	
3	D000J7001	1	LOW-VOLTAGE POWER SUPPLY PCB ASSY	HL-L5100DNT		

10. PCB

REF No.	CODE	QTY	DESCRIPTION	MODEL	SPEC	REMARKS
3	D000J9001	1	LOW-VOLTAGE POWER SUPPLY PCB ASSY	HL-L5102DW		
3	D003DH001	1	LOW-VOLTAGE POWER SUPPLY PCB ASSY	HL-L5200DW	FOR GULF/RUS	
3	D0001B001	1	LOW-VOLTAGE POWER SUPPLY PCB ASSY	HL-L5200DW	FOR USA/CAN	
3	D000J7001	1	LOW-VOLTAGE POWER SUPPLY PCB ASSY	HL-L5200DW	FOR GER/UK/ARL/CHE/ITA/IBR/NZ/ FRA/BEL/HOL/PND/CEE	
3	D0001B001	1	LOW-VOLTAGE POWER SUPPLY PCB ASSY	HL-L5200DWT	FOR USA	
3	D000J7001	1	LOW-VOLTAGE POWER SUPPLY PCB ASSY	HL-L5200DWT	FOR UK/FRA/BEL/HOL/PND	
3	D000J9001	1	LOW-VOLTAGE POWER SUPPLY PCB ASSY	HL-L5202DW		
3	D000JY001	1	LOW-VOLTAGE POWER SUPPLY PCB ASSY	HL-L6200DW	FOR USA/CAN	
3	D003DK001	1	LOW-VOLTAGE POWER SUPPLY PCB ASSY	HL-L6200DW	FOR GULF/IND	
3	D000K0001	1	LOW-VOLTAGE POWER SUPPLY PCB ASSY	HL-L6200DW	FOR ARL/NZ/ARG/SGP	
3	D000JY001	1	LOW-VOLTAGE POWER SUPPLY PCB ASSY	HL-L6200DWT		
3	D003DJ001	1	LOW-VOLTAGE POWER SUPPLY PCB ASSY	HL-L6202DW		
3	D000K0001	1	LOW-VOLTAGE POWER SUPPLY PCB ASSY	HL-L6250DN		
3	D000JY001	1	LOW-VOLTAGE POWER SUPPLY PCB ASSY	HL-L6250DW		
3	D000JY001	1	LOW-VOLTAGE POWER SUPPLY PCB ASSY	HL-L6300DW	FOR USA	
3	D003DK001	1	LOW-VOLTAGE POWER SUPPLY PCB ASSY	HL-L6300DW	FOR RUS	
3	D000K0001	1	LOW-VOLTAGE POWER SUPPLY PCB ASSY	HL-L6300DW	FOR GER/UK/CHE/ISR/PND/GEN	
3	D000K0001	1	LOW-VOLTAGE POWER SUPPLY PCB ASSY	HL-L6300DWT		
3	D000JY001	1	LOW-VOLTAGE POWER SUPPLY PCB ASSY	HL-L6400DW	FOR USA/CAN/TWN	
3	D003DK001	1	LOW-VOLTAGE POWER SUPPLY PCB ASSY	HL-L6400DW	FOR GULF/RUS	
3	D000K0001	1	LOW-VOLTAGE POWER SUPPLY PCB ASSY	HL-L6400DW	FOR GER/UK/ARL/CHE/ISR/NZ/ ARG/CHL/SGP/KOR/PND/GEN	
3	D000JY001	1	LOW-VOLTAGE POWER SUPPLY PCB ASSY	HL-L6400DWT	FOR USA	
3	D003DK001	1	LOW-VOLTAGE POWER SUPPLY PCB ASSY	HL-L6400DWT	FOR RUS	
3	D000K0001	1	LOW-VOLTAGE POWER SUPPLY PCB ASSY	HL-L6400DWT	FOR UK/CHE/PND/GEN	
3	D003DJ001	1	LOW-VOLTAGE POWER SUPPLY PCB ASSY	HL-L6402DW		
4	D0000V001	1	HIGH-VOLTAGE POWER SUPPLY PCB ASSY			

11. ACCESSORIES



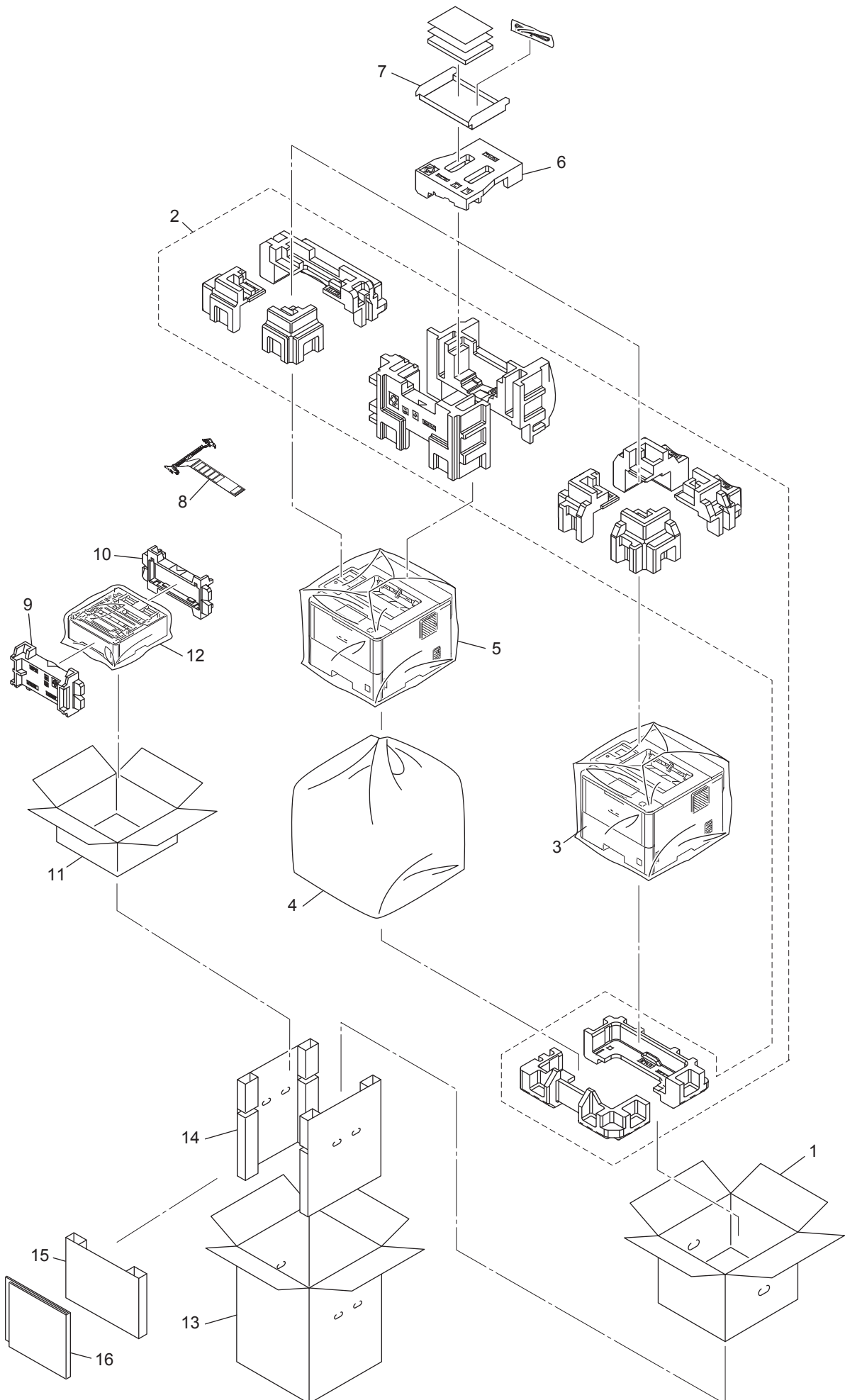
11. ACCESSORIES

REF No.	CODE	QTY	DESCRIPTION	MODEL	SPEC	REMARKS
1	LM9362001	1	AC CORD BAG ASSY LF UL/CSA 13A	HL-L5000D	FOR USA/CAN	
1	LV0364001	1	AC CORD BAG ASSY LF VDE S	HL-L5000D	FOR GER/ITA/IBR/IRN/RUS/ FRA/BEL/HOL/PND/CEE	
1	LV0368001	1	AC CORD BAG ASSY LF BS/PSB S	HL-L5000D	FOR UK/SGP	
1	LT2259001	1	AC CORD BAG ASSY LF SEV	HL-L5000D	FOR CHE	
1	LG7005001	1	AC CORD BAG ASSY LF ISRAEL	HL-L5000D	FOR ISR	
1	LT0613001	1	AC CORD BAG ASSY LF IND	HL-L5000D	FOR IND	
1	LG4720001	1	AC CORD BAG ASSY LF DEMKO	HL-L5000D	FOR PND	
1	LM9362001	1	AC CORD BAG ASSY LF UL/CSA 13A	HL-L5100DN	FOR USA	
1	LV0364001	1	AC CORD BAG ASSY LF VDE S	HL-L5100DN	FOR GER/ITA/IBR/SGP/RUS/ FRA/BEL/HOL/PND/CEE	
1	LV0368001	1	AC CORD BAG ASSY LF BS/PSB S	HL-L5100DN	FOR UK/SGP	
1	LV0366001	1	AC CORD BAG ASSY LF SAA S	HL-L5100DN	FOR ARL/NZ	
1	LT2259001	1	AC CORD BAG ASSY LF SEV	HL-L5100DN	FOR CHE	
1	LG7005001	1	AC CORD BAG ASSY LF ISRAEL	HL-L5100DN	FOR ISR	
1	LV0454001	1	AC CORD BAG ASSY LF TWN 13A	HL-L5100DN	FOR TWN	
1	LT0925001	1	AC CORD BAG ASSY LF IRAM	HL-L5100DN	FOR ARG	
1	LG6207001	1	AC CORD BAG ASSY LF CHILE	HL-L5100DN	FOR CHL	
1	LT0935001	1	AC CORD BAG ASSY LF KOR S	HL-L5100DN	FOR KOR	
1	LT0613001	1	AC CORD BAG ASSY LF IND	HL-L5100DN	FOR IND	
1	LV1381001	1	AC CORD BAG ASSY LF PERU V	HL-L5100DN	FOR CHL/SGP	
1	LG4720001	1	AC CORD BAG ASSY LF DEMKO	HL-L5100DN	FOR PND	
1	LV0364001	1	AC CORD BAG ASSY LF VDE S	HL-L5100DNT	FOR GER/FRA/BEL/HOL/PND	
1	LV0368001	1	AC CORD BAG ASSY LF BS/PSB S	HL-L5100DNT	FOR UK	
1	LG4720001	1	AC CORD BAG ASSY LF DEMKO	HL-L5100DNT	FOR PND	
1	LV1465001	1	AC CORD BAG ASSY LF INMETRO	HL-L5102DW	FOR BRZ	chg
1	LM9362001	1	AC CORD BAG ASSY LF UL/CSA 13A	HL-L5200DW	FOR USA/CAN	
1	LV0364001	1	AC CORD BAG ASSY LF VDE S	HL-L5200DW	FOR GER/ITA/IBR/GULF/RUS/ FRA/BEL/HOL/PND/CEE	
1	LV0368001	1	AC CORD BAG ASSY LF BS/PSB S	HL-L5200DW	FOR UK/GULF	
1	LV0366001	1	AC CORD BAG ASSY LF SAA S	HL-L5200DW	FOR ARL/NZ	
1	LT2259001	1	AC CORD BAG ASSY LF SEV	HL-L5200DW	FOR CHE	
1	LG4720001	1	AC CORD BAG ASSY LF DEMKO	HL-L5200DW	FOR PND	
1	LG6404001	1	AC CORD BAG ASSY LF SAF	HL-L5200DW	FOR GULF	
1	LM9362001	1	AC CORD BAG ASSY LF UL/CSA 13A	HL-L5200DWT	FOR USA	
1	LV0364001	1	AC CORD BAG ASSY LF VDE S	HL-L5200DWT	FOR FRA/BEL/HOL/PND	
1	LV0368001	1	AC CORD BAG ASSY LF BS/PSB S	HL-L5200DWT	FOR UK	
1	LG4720001	1	AC CORD BAG ASSY LF DEMKO	HL-L5200DWT	FOR PND	
1	LV1465001	1	AC CORD BAG ASSY LF INMETRO	HL-L5202DW	FOR BRZ	chg
1	LM9362001	1	AC CORD BAG ASSY LF UL/CSA 13A	HL-L6200DW	FOR USA/CAN	
1	LV0364001	1	AC CORD BAG ASSY LF VDE S	HL-L6200DW	FOR GULF/SGP	
1	LV0368001	1	AC CORD BAG ASSY LF BS/PSB S	HL-L6200DW	FOR GULF/SGP	
1	LV0366001	1	AC CORD BAG ASSY LF SAA S	HL-L6200DW	FOR ARL/NZ	
1	LT0925001	1	AC CORD BAG ASSY LF IRAM	HL-L6200DW	FOR ARG	
1	LT0613001	1	AC CORD BAG ASSY LF IND	HL-L6200DW	FOR IND	
1	LM9362001	1	AC CORD BAG ASSY LF UL/CSA 13A	HL-L6200DWT		
1	LV1465001	1	AC CORD BAG ASSY LF INMETRO	HL-L6202DW	FOR BRZ	chg
1	LV0364001	1	AC CORD BAG ASSY LF VDE S	HL-L6250DN	FOR GER/GEN	
1	LV0368001	1	AC CORD BAG ASSY LF BS/PSB S	HL-L6250DN	FOR UK	
1	LT2259001	1	AC CORD BAG ASSY LF SEV	HL-L6250DN	FOR CHE	
1	LM9362001	1	AC CORD BAG ASSY LF UL/CSA 13A	HL-L6250DW		
1	LM9362001	1	AC CORD BAG ASSY LF UL/CSA 13A	HL-L6300DW	FOR USA	
1	LV0364001	1	AC CORD BAG ASSY LF VDE S	HL-L6300DW	FOR GER/RUS/PND/GEN	
1	LV0368001	1	AC CORD BAG ASSY LF BS/PSB S	HL-L6300DW	FOR UK	
1	LT2259001	1	AC CORD BAG ASSY LF SEV	HL-L6300DW	FOR CHE	
1	LG7005001	1	AC CORD BAG ASSY LF ISRAEL	HL-L6300DW	FOR ISR	
1	LG4720001	1	AC CORD BAG ASSY LF DEMKO	HL-L6300DW	FOR PND	
1	LV0364001	1	AC CORD BAG ASSY LF VDE S	HL-L6300DWT	FOR PND/GEN	
1	LV0368001	1	AC CORD BAG ASSY LF BS/PSB S	HL-L6300DWT	FOR UK	
1	LG4720001	1	AC CORD BAG ASSY LF DEMKO	HL-L6300DWT	FOR PND	
1	LM9362001	1	AC CORD BAG ASSY LF UL/CSA 13A	HL-L6400DW	FOR USA/CAN	
1	LV0364001	1	AC CORD BAG ASSY LF VDE S	HL-L6400DW	FOR GER/GULF/SGP/RUS/PND/ GEN	
1	LV0368001	1	AC CORD BAG ASSY LF BS/PSB S	HL-L6400DW	FOR UK/GULF/SGP	
1	LV0366001	1	AC CORD BAG ASSY LF SAA S	HL-L6400DW	FOR ARL/NZ	

11. ACCESSORIES

REF No.	CODE	Q'T Y	DESCRIPTION	MODEL	SPEC	REMARKS
1	LT2259001	1	AC CORD BAG ASSY LF SEV	HL-L6400DW	FOR CHE	
1	LG7005001	1	AC CORD BAG ASSY LF ISRAEL	HL-L6400DW	FOR ISR	
1	LV0454001	1	AC CORD BAG ASSY LF TWN 13A	HL-L6400DW	FOR TWN	
1	LT0925001	1	AC CORD BAG ASSY LF IRAM	HL-L6400DW	FOR ARG	
1	LG6207001	1	AC CORD BAG ASSY LF CHILE	HL-L6400DW	FOR CHL	
1	LT0935001	1	AC CORD BAG ASSY LF KOR S	HL-L6400DW	FOR KOR	
1	LV1381001	1	AC CORD BAG ASSY LF PERU V	HL-L6400DW	FOR CHL/SGP	
1	LG4720001	1	AC CORD BAG ASSY LF DEMKO	HL-L6400DW	FOR PND	
1	LG6404001	1	AC CORD BAG ASSY LF SAF	HL-L6400DW	FOR GULF	
1	LM9362001	1	AC CORD BAG ASSY LF UL/CSA 13A	HL-L6400DWT	FOR USA	
1	LV0364001	1	AC CORD BAG ASSY LF VDE S	HL-L6400DWT	FOR RUS/PND/GEN	
1	LV0368001	1	AC CORD BAG ASSY LF BS/PSB S	HL-L6400DWT	FOR UK	
1	LT2259001	1	AC CORD BAG ASSY LF SEV	HL-L6400DWT	FOR CHE	
1	LG4720001	1	AC CORD BAG ASSY LF DEMKO	HL-L6400DWT	FOR PND	
1	LV1465001	1	AC CORD BAG ASSY LF INMETRO	HL-L6402DW	FOR BRZ	chg
2	XA9940051	1	TOUCH PEN			
(3)	D007T0001	1	LT NUMBER LABEL SET (BLACK)	HL-L5100DNT		
(3)	D007T0001	1	LT NUMBER LABEL SET (BLACK)	HL-L5200DWT		
(3)	D007T0001	1	LT NUMBER LABEL SET (BLACK)	HL-L6200DWT		
(3)	D007T1001	1	LT NUMBER LABEL SET (WHITE)	HL-L6300DWT		
(3)	D007T1001	1	LT NUMBER LABEL SET (WHITE)	HL-L6400DWT		
(4)	D00362001	1	FRENCH PANEL STICKER	HL-L5000D	FOR CAN	
(4)	D00362001	1	FRENCH PANEL STICKER	HL-L5200DW	FOR CAN	
(4)	D00362001	1	FRENCH PANEL STICKER	HL-L6200DW	FOR CAN	
(5)	D00153001	1	PARALLEL CABLE ASSY	HL-L5000D	FOR USA/CAN/SGP	

12. PACKING MATERIAL



12. PACKING MATERIALS

REF No.	CODE	Q'T Y	DESCRIPTION	MODEL	SPEC	REMARK S
1	D005UK001	1	CARTON	HL-5580D		
1	D005UL001	1	CARTON	HL-5585D		
1	D005UJ001	1	CARTON	HL-5590DN		
1	D005UH001	1	CARTON	HL-5595DN		
1	D004U1001	1	CARTON	HL-L5000D	FOR USA	
1	D004XD001	1	CARTON	HL-L5000D	FOR CAN	
1	D004RG001	1	CARTON	HL-L5000D	FOR GER/UK/CHE/ITA/IBR/ISR/RUS/ FRA/BEL/HOL/PND/CEE	
1	D006RR001	1	CARTON	HL-L5000D	FOR IRN/SGP/IND	
1	D004UT001	1	CARTON	HL-L5100DN	FOR USA	
1	D004RV001	1	CARTON	HL-L5100DN	FOR GER/UK/CHE/ITA/IBR/ISR/RUS/ FRA/BEL/HOL/PND/CEE	
1	D005R4001	1	CARTON	HL-L5100DN	FOR ARL/TWN/NZ/KOR/IND	
1	D005YA001	1	CARTON	HL-L5100DN	FOR ARG/CHL	
1	D0065T001	1	CARTON	HL-L5100DN	FOR SGP	
1	D004RV001	1	CARTON	HL-L5100DNT		
1	D00600001	1	CARTON	HL-L5102DW		
1	D004V3001	1	CARTON	HL-L5200DW	FOR USA	
1	D004VZ001	1	CARTON	HL-L5200DW	FOR CAN	
1	D004ZN001	1	CARTON	HL-L5200DW	FOR GER/UK/CHE/ITA/IBR/RUS/ FRA/BEL/HOL/PND/CEE	
1	D005LN001	1	CARTON	HL-L5200DW	FOR ARL/NZ	
1	D0065U001	1	CARTON	HL-L5200DW	FOR GULF	
1	D004V3001	1	CARTON	HL-L5200DWT	FOR USA	
1	D004ZN001	1	CARTON	HL-L5200DWT	FOR UK/FRA/BEL/HOL/PND	
1	D0060H001	1	CARTON	HL-L5202DW		
1	D004MB001	1	CARTON	HL-L6200DW	FOR USA	
1	D00506001	1	CARTON	HL-L6200DW	FOR CAN	
1	D005ND001	1	CARTON	HL-L6200DW	FOR ARL/NZ/GULF/SGP/IND	
1	D005YG001	1	CARTON	HL-L6200DW	FOR ARG	
1	D004MB001	1	CARTON	HL-L6200DWT		
1	D00615001	1	CARTON	HL-L6202DW		
1	D004W2001	1	CARTON	HL-L6250DN		
1	D004XM001	1	CARTON	HL-L6250DW		
1	D00541001	1	CARTON	HL-L6300DW	FOR USA	
1	D0055R001	1	CARTON	HL-L6300DW	FOR GER/UK/CHE/ISR/RUS/PND/ GEN	
1	D0055R001	1	CARTON	HL-L6300DWT		
1	D0051H001	1	CARTON	HL-L6400DW	FOR USA/CAN	
1	D0052G001	1	CARTON	HL-L6400DW	FOR GER/UK/CHE/ISR/RUS/PND/ GEN	
1	D005ZD001	1	CARTON	HL-L6400DW	FOR ARL/NZ	
1	D006RP001	1	CARTON	HL-L6400DW	FOR TWN/GULF/SGP/KOR	
1	D005YX001	1	CARTON	HL-L6400DW	FOR ARG/CHL	
1	D0051H001	1	CARTON	HL-L6400DWT	FOR USA	
1	D0052G001	1	CARTON	HL-L6400DWT	FOR UK/CHE/RUS/PND/GEN	
1	D0061B001	1	CARTON	HL-L6402DW		
2	D003CU001	1	POLYSTYRENE PAD ASSY	HL-5580D		
2	D003CU001	1	POLYSTYRENE PAD ASSY	HL-5585D		
2	D003CU001	1	POLYSTYRENE PAD ASSY	HL-5590DN		
2	D003CU001	1	POLYSTYRENE PAD ASSY	HL-5595DN		
2	D001NP001	1	POLYSTYRENE PAD ASSY	HL-L5000D		
2	D001NP001	1	POLYSTYRENE PAD ASSY	HL-L5100DN	FOR USA/GER/UK/ARL/CHE/ITA/IBR/ ISR/TWN/NZ/ARG/CHL/KOR/IND/RU FOR SGP	
2	D003RW001	1	POLYSTYRENE PAD ASSY	HL-L5100DN		
2	D001NP001	1	POLYSTYRENE PAD ASSY	HL-L5100DNT		
2	D001NP001	1	POLYSTYRENE PAD ASSY	HL-L5102DW		
2	D001NP001	1	POLYSTYRENE PAD ASSY	HL-L5200DW	FOR USA/CAN/GER/UK/ARL/CHE/ ITA/IBR/NZ/RUS/FRA/BEL/HOL/PND/ CEE FOR GULF	
2	D003RW001	1	POLYSTYRENE PAD ASSY	HL-L5200DW		
2	D001NP001	1	POLYSTYRENE PAD ASSY	HL-L5200DWT		
2	D001NP001	1	POLYSTYRENE PAD ASSY	HL-L5202DW		
2	D001NP001	1	POLYSTYRENE PAD ASSY	HL-L6200DW		
2	D001NP001	1	POLYSTYRENE PAD ASSY	HL-L6200DWT		
2	D001NP001	1	POLYSTYRENE PAD ASSY	HL-L6202DW		
2	D003RW001	1	POLYSTYRENE PAD ASSY	HL-L6250DN		
2	D003RW001	1	POLYSTYRENE PAD ASSY	HL-L6250DW		
2	D003RA001	1	POLYSTYRENE PAD ASSY	HL-L6300DW		
2	D003RA001	1	POLYSTYRENE PAD ASSY	HL-L6300DWT		
2	D003RA001	1	POLYSTYRENE PAD ASSY	HL-L6400DW	FOR ARL/NZ	

12. PACKING MATERIALS

REF No.	CODE	Q'T Y	DESCRIPTION	MODEL	SPEC	REMARK S
2	D001SB001	1	POLYSTYRENE PAD ASSY	HL-L6400DW	FOR USA/CAN/GER/UK/CHE/ISR/ TWN/ARG/CHL/GULF/SGP/KOR/ RUS/PND/GEN	
2	D001SB001	1	POLYSTYRENE PAD ASSY	HL-L6400DWT		
2	D001SB001	1	POLYSTYRENE PAD ASSY	HL-L6402DW		
3	D0081F001	1	PE BAG 685X1000	HL-5580D		
3	D0081F001	1	PE BAG 685X1000	HL-5585D		
3	D0081F001	1	PE BAG 685X1000	HL-5590DN		
3	D0081F001	1	PE BAG 685X1000	HL-5595DN		
4	D001NX001	1	BAG DL 780X650	HL-L5000D		
4	D001NX001	1	BAG DL 780X650	HL-L5100DN		
4	D001NX001	1	BAG DL 780X650	HL-L5100DNT		
4	D001NX001	1	BAG DL 780X650	HL-L5102DW		
4	D001NX001	1	BAG DL 780X650	HL-L5200DW		
4	D001NX001	1	BAG DL 780X650	HL-L5200DWT		
4	D001NX001	1	BAG DL 780X650	HL-L5202DW		
4	D001NX001	1	BAG DL 780X650	HL-L6200DW		
4	D001NX001	1	BAG DL 780X650	HL-L6200DWT		
4	D001NX001	1	BAG DL 780X650	HL-L6202DW		
4	D001NX001	1	BAG DL 780X650	HL-L6250DN		
4	D001NX001	1	BAG DL 780X650	HL-L6250DW		
4	D001NX001	1	BAG DL 780X650	HL-L6300DW		
4	D001NX001	1	BAG DL 780X650	HL-L6300DWT		
4	D001NX001	1	BAG DL 780X650	HL-L6400DW		
4	D001NX001	1	BAG DL 780X650	HL-L6400DWT		
4	D001NX001	1	BAG DL 780X650	HL-L6402DW		
5	D0064C001	1	BAG DL 780X830	HL-L5000D		
5	D0064C001	1	BAG DL 780X830	HL-L5100DN		
5	D0064C001	1	BAG DL 780X830	HL-L5100DNT		
5	D0064C001	1	BAG DL 780X830	HL-L5102DW		
5	D0064C001	1	BAG DL 780X830	HL-L5200DW		
5	D0064C001	1	BAG DL 780X830	HL-L5200DWT		
5	D0064C001	1	BAG DL 780X830	HL-L5202DW		
5	D0064C001	1	BAG DL 780X830	HL-L6200DW		
5	D0064C001	1	BAG DL 780X830	HL-L6200DWT		
5	D0064C001	1	BAG DL 780X830	HL-L6202DW		
5	D0064C001	1	BAG DL 780X830	HL-L6250DN		
5	D0064C001	1	BAG DL 780X830	HL-L6250DW		
5	D0064C001	1	BAG DL 780X830	HL-L6300DW		
5	D0064C001	1	BAG DL 780X830	HL-L6300DWT		
5	D0064C001	1	BAG DL 780X830	HL-L6400DW		
5	D0064C001	1	BAG DL 780X830	HL-L6400DWT		
5	D0064C001	1	BAG DL 780X830	HL-L6402DW		
6	D002JS001	1	TONER PAD	HL-L5100DN	FOR SGP	
6	D002JS001	1	TONER PAD	HL-L6250DN		
6	D002JS001	1	TONER PAD	HL-L6250DW		
6	D002JS001	1	TONER PAD	HL-L6400DW	FOR USA/CAN/GER/UK/CHE/ISR/ TWN/ARG/CHL/GULF/SGP/KOR/ RUS/PND/GEN	
6	D002JS001	1	TONER PAD	HL-L6400DWT		
6	D002JS001	1	TONER PAD	HL-L6402DW		
7	D00CBC001	1	OPTION CARTON	HL-5580D		chg
7	D00CBC001	1	OPTION CARTON	HL-5585D		chg
7	D00CBC001	1	OPTION CARTON	HL-5590DN		chg
7	D00CBC001	1	OPTION CARTON	HL-5595DN		chg
7	D001RL001	1	OPTION CARTON	HL-L5000D		
7	D001RL001	1	OPTION CARTON	HL-L5100DN		
7	D001RL001	1	OPTION CARTON	HL-L5100DNT		
7	D001RL001	1	OPTION CARTON	HL-L5102DW		
7	D001RL001	1	OPTION CARTON	HL-L5200DW		
7	D001RL001	1	OPTION CARTON	HL-L5200DWT		
7	D001RL001	1	OPTION CARTON	HL-L5202DW		
7	D001RL001	1	OPTION CARTON	HL-L6200DW		
7	D001RL001	1	OPTION CARTON	HL-L6200DWT		
7	D001RL001	1	OPTION CARTON	HL-L6202DW		
7	D001RL001	1	OPTION CARTON	HL-L6250DN		
7	D001RL001	1	OPTION CARTON	HL-L6250DW		
7	D001RL001	1	OPTION CARTON	HL-L6300DW		
7	D001RL001	1	OPTION CARTON	HL-L6300DWT		
7	D001RL001	1	OPTION CARTON	HL-L6400DW		
7	D001RL001	1	OPTION CARTON	HL-L6400DWT		
7	D001RL001	1	OPTION CARTON	HL-L6402DW		

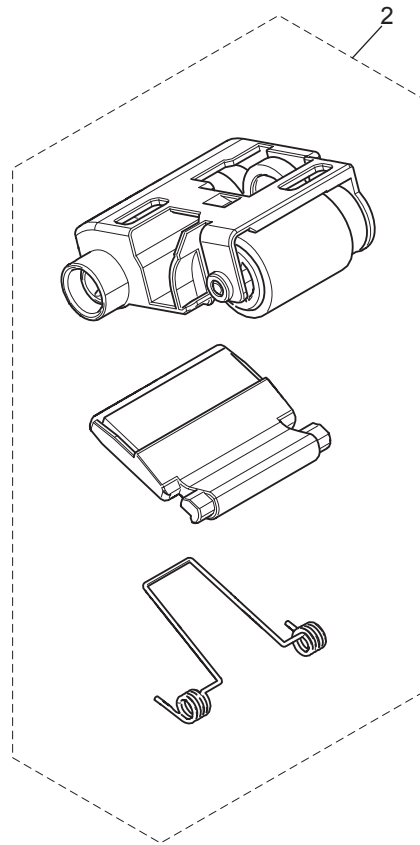
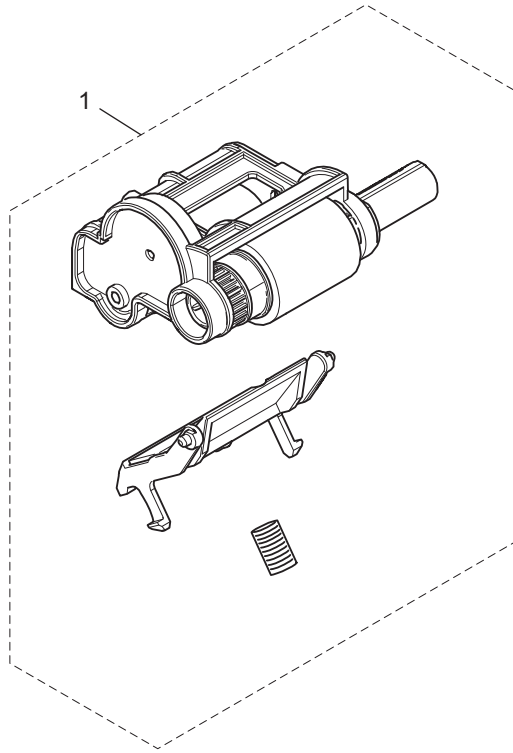
12. PACKING MATERIALS

REF No.	CODE	QTY	DESCRIPTION	MODEL	SPEC	REMARKS
8	D008GH001	1	PROTECTIVE MATERIAL ASSY SP	HL-5580D		
8	D008GH001	1	PROTECTIVE MATERIAL ASSY SP	HL-5585D		
8	D008GH001	1	PROTECTIVE MATERIAL ASSY SP	HL-5590DN		
8	D008GH001	1	PROTECTIVE MATERIAL ASSY SP	HL-5595DN		
8	D008GH001	1	PROTECTIVE MATERIAL ASSY SP	HL-L5000D		
8	D008GH001	1	PROTECTIVE MATERIAL ASSY SP	HL-L5100DN		
8	D008GH001	1	PROTECTIVE MATERIAL ASSY SP	HL-L5100DNT		
8	D008GH001	1	PROTECTIVE MATERIAL ASSY SP	HL-L5102DW		
8	D008GH001	1	PROTECTIVE MATERIAL ASSY SP	HL-L5200DW		
8	D008GH001	1	PROTECTIVE MATERIAL ASSY SP	HL-L5200DWT		
8	D008GH001	1	PROTECTIVE MATERIAL ASSY SP	HL-L5202DW		
8	D008GH001	1	PROTECTIVE MATERIAL ASSY SP	HL-L6200DW		
8	D008GH001	1	PROTECTIVE MATERIAL ASSY SP	HL-L6200DWT		
8	D008GH001	1	PROTECTIVE MATERIAL ASSY SP	HL-L6202DW		
8	D008GH001	1	PROTECTIVE MATERIAL ASSY SP	HL-L6250DN		chg
8	D008GH001	1	PROTECTIVE MATERIAL ASSY SP	HL-L6250DW		chg
8	D008GH001	1	PROTECTIVE MATERIAL ASSY SP	HL-L6300DW		
8	D008GH001	1	PROTECTIVE MATERIAL ASSY SP	HL-L6300DWT		
8	D008GH001	1	PROTECTIVE MATERIAL ASSY SP	HL-L6400DW	FOR ARL/NZ	
8	D008GH001	1	PROTECTIVE MATERIAL ASSY SP	HL-L6400DW	FOR USA/CAN/GER/UK/CHE/ISR/ TWN/ARG/CHL/GULF/SGP/KOR/ RUS/PND/GEN	chg
8	D008GH001	1	PROTECTIVE MATERIAL ASSY SP	HL-L6400DWT		chg
8	D008GH001	1	PROTECTIVE MATERIAL ASSY SP	HL-L6402DW		chg
9	D001HV001	1	POLYSTYRENE FOAM PAD FRONT LT	HL-L5100DNT		
9	D001HV001	1	POLYSTYRENE FOAM PAD FRONT LT	HL-L5200DWT		
9	D001HV001	1	POLYSTYRENE FOAM PAD FRONT LT	HL-L6200DWT		
9	D001HV001	1	POLYSTYRENE FOAM PAD FRONT LT	HL-L6300DWT		
9	D001HV001	1	POLYSTYRENE FOAM PAD FRONT LT	HL-L6400DWT		
10	D001HW001	1	POLYSTYRENE FOAM PAD REAR LT	HL-L5100DNT		
10	D001HW001	1	POLYSTYRENE FOAM PAD REAR LT	HL-L5200DWT		
10	D001HW001	1	POLYSTYRENE FOAM PAD REAR LT	HL-L6200DWT		
10	D001HW001	1	POLYSTYRENE FOAM PAD REAR LT	HL-L6300DWT		
10	D001HW001	1	POLYSTYRENE FOAM PAD REAR LT	HL-L6400DWT		
11	D004W4001	1	CARTON LT	HL-L5100DNT		
11	D004W4001	1	CARTON LT	HL-L5200DWT		
11	D004W4001	1	CARTON LT	HL-L6200DWT		
11	D006S5001	1	CARTON LT	HL-L6300DWT		
11	D006S5001	1	CARTON LT	HL-L6400DWT		
12	LY2688001	1	PE BAG 600X650	HL-L5100DNT		
12	LY2688001	1	PE BAG 600X650	HL-L5200DWT		
12	LY2688001	1	PE BAG 600X650	HL-L6200DWT		
12	LY2688001	1	PE BAG 600X650	HL-L6300DWT		
12	LY2688001	1	PE BAG 600X650	HL-L6400DWT		
13	D004X5001	1	CARTON OUTER	HL-L5100DNT		
13	D004XX001	1	CARTON OUTER	HL-L5200DWT	FOR USA	
13	D00509001	1	CARTON OUTER	HL-L5200DWT	FOR UK/FRA/BEL/HOL/PND	
13	D0050K001	1	CARTON OUTER	HL-L6200DWT		
13	D0055S001	1	CARTON OUTER	HL-L6300DWT		
13	D0051N001	1	CARTON OUTER	HL-L6400DWT	FOR USA	
13	D0053V001	1	CARTON OUTER	HL-L6400DWT	FOR UK/CHE/RUS/PND/GEN	
14	D004KP001	2	BUNDLE SPACER A	HL-L5100DNT		
14	D004KP001	2	BUNDLE SPACER A	HL-L5200DWT		
14	D004KP001	2	BUNDLE SPACER A	HL-L6200DWT		
14	D004KS001	2	BUNDLE SPACER A	HL-L6300DWT		
14	D004KT001	2	BUNDLE SPACER A	HL-L6400DWT		
15	D008MU001	1	BUNDLE SPACER B	HL-L5100DNT		
15	D008MU001	1	BUNDLE SPACER B	HL-L5200DWT		
15	D008MU001	1	BUNDLE SPACER B	HL-L6200DWT		
16	D008W7001	1	BUNDLE SPACER C	HL-L6300DWT		
16	D008W7001	1	BUNDLE SPACER C	HL-L6400DWT		
(17)	D007PH001	1	SILICA GEL	HL-5580D		
(17)	D007PH001	1	SILICA GEL	HL-5585D		
(17)	D007PH001	1	SILICA GEL	HL-5590DN		
(17)	D007PH001	1	SILICA GEL	HL-5595DN		
(17)	D007PH001	1	SILICA GEL	HL-L5000D	FOR GER/UK/CHE/ITA/IBR/ISR/IRN/ SGP/IND/RUS/FRA/BEL/HOL/PND/ CEE	
(17)	D007PH001	1	SILICA GEL	HL-L5000D	FOR USA/CAN	
(17)	D007PH001	1	SILICA GEL	HL-L5100DN	FOR GER/UK/ARL/CHE/ITA/IBR/ISR/ TWN/NZ/SGP/KOR/IND/RUS/ FRA/BEL/HOL/PND/CEE	
(17)	D007PH001	1	SILICA GEL	HL-L5100DN	FOR USA/ARG/CHL	
(17)	D007PH001	1	SILICA GEL	HL-L5100DNT		

12. PACKING MATERIALS

REF No.	CODE	Q'T Y	DESCRIPTION	MODEL	SPEC	REMARK S
(17)	D007PH001	1	SILICA GEL	HL-L5102DW		
(17)	D007PH001	1	SILICA GEL	HL-L5200DW	FOR GER/UK/ARL/CHE/ITA/IBR/NZ/ GULF/RUS/FRA/BEL/HOL/PND/CEE	
(17)	D007PH001	1	SILICA GEL	HL-L5200DW	FOR USA/CAN	
(17)	D007PH001	1	SILICA GEL	HL-L5200DWT	FOR UK/FRA/BEL/HOL/PND	
(17)	D007PH001	1	SILICA GEL	HL-L5202DW	FOR USA	
(17)	D007R6001	1	SILICA GEL	HL-L6200DW	FOR ARL/NZ/GULF/SGP/IND	
(17)	D007R6001	1	SILICA GEL	HL-L6200DW	FOR USA/CAN/ARG	
(17)	D007R6001	1	SILICA GEL	HL-L6200DWT		
(17)	D007R6001	1	SILICA GEL	HL-L6202DW		
(17)	D007PH001	1	SILICA GEL	HL-L6250DN		add
(17)	D007R6001	1	SILICA GEL	HL-L6250DW		add
(17)	D007R6001	1	SILICA GEL	HL-L6300DW	FOR GER/UK/CHE/ISR/RUS/PND/ GEN	
(17)	D007R6001	1	SILICA GEL	HL-L6300DWT	FOR USA	
(17)	D007PH001	1	SILICA GEL	HL-L6400DW	FOR ARL/NZ/GER/UK/CHE/RUS/ PND/GEN/TWN/SGP/KOR/ISR/ GULF	
(17)	D007R6001	1	SILICA GEL	HL-L6400DW	FOR USA/CAN/ARG/CHL	add
(17)	D007PH001	1	SILICA GEL	HL-L6400DWT	FOR UK/CHE/RUS/PND/GEN	add
(17)	D007R6001	1	SILICA GEL	HL-L6400DWT	FOR USA	add
(17)	D007R6001	1	SILICA GEL	HL-L6402DW		add
(18)	D00EB6001	1	CHINA ENERGY LABEL	HL-5580D		CHG
(18)	D00EB7001	1	CHINA ENERGY LABEL	HL-5585D		CHG
(18)	D00EB8001	1	CHINA ENERGY LABEL	HL-5590DN		CHG
(18)	D00EB9001	1	CHINA ENERGY LABEL	HL-5595DN		CHG
(19)	D008F2001	1	CARTON LABEL	HL-L5100DN	FOR TWN	
(19)	D008FF001	1	CARTON LABEL	HL-L6400DW	FOR TWN	

13. PERIODICAL MAINTENANCE PARTS



13.PERIODICAL MAINTENANCE PARTS

REF No.	CODE	Q'T Y	DESCRIPTION	MODEL	SPEC	REMARKS
1	D008GE001	1	PF KIT 1/2/3/4/5			
2	D008GD001	1	PF KIT MP			

Fig.1/2

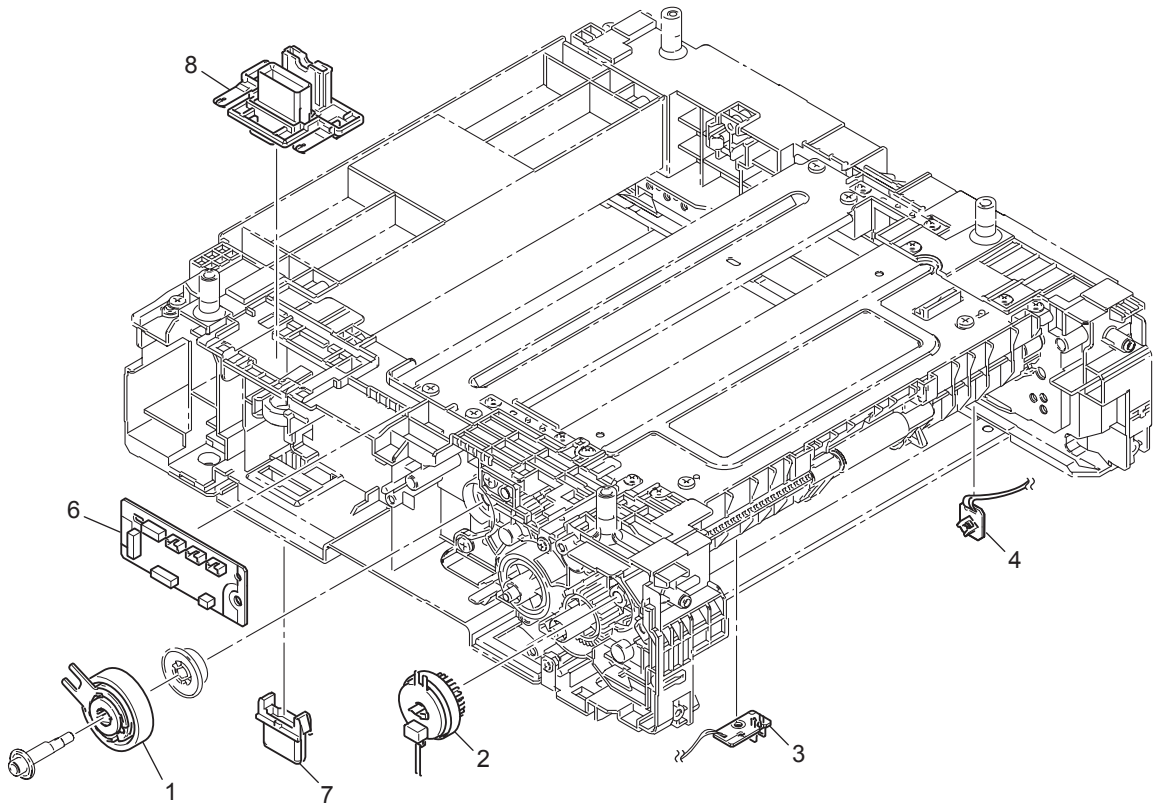
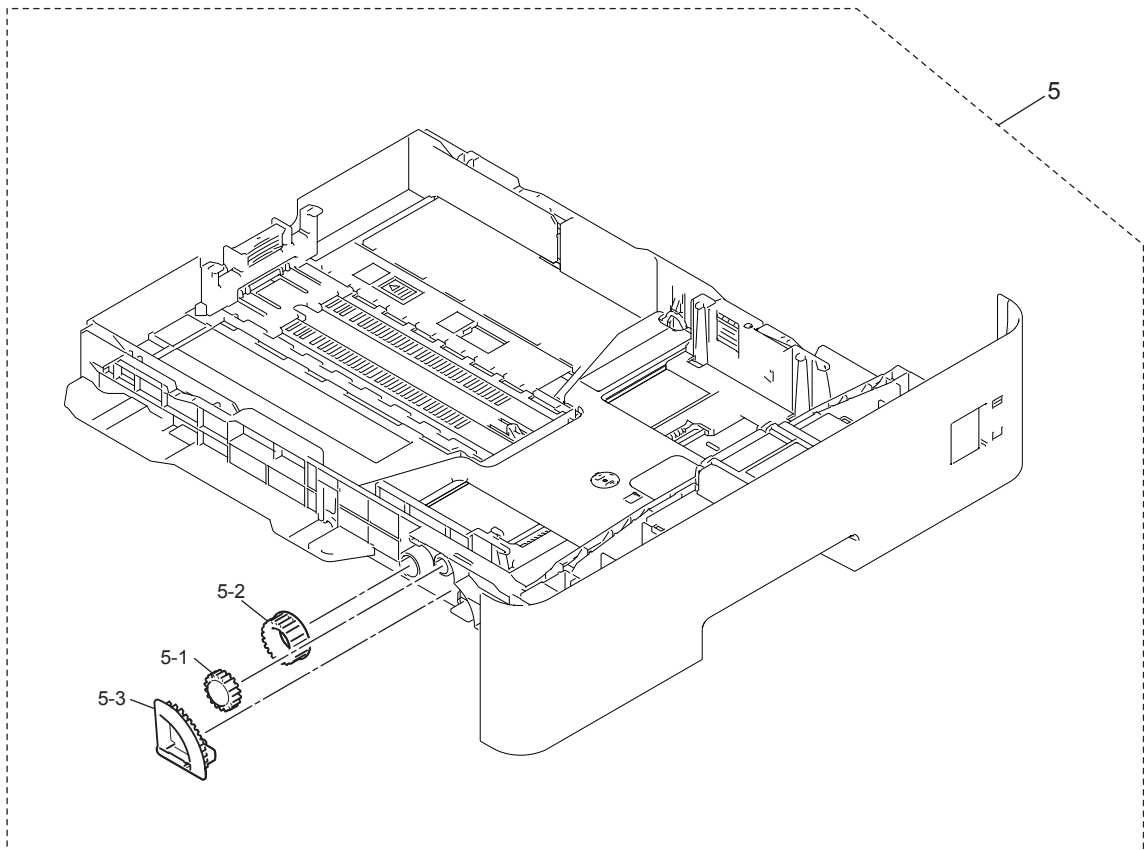
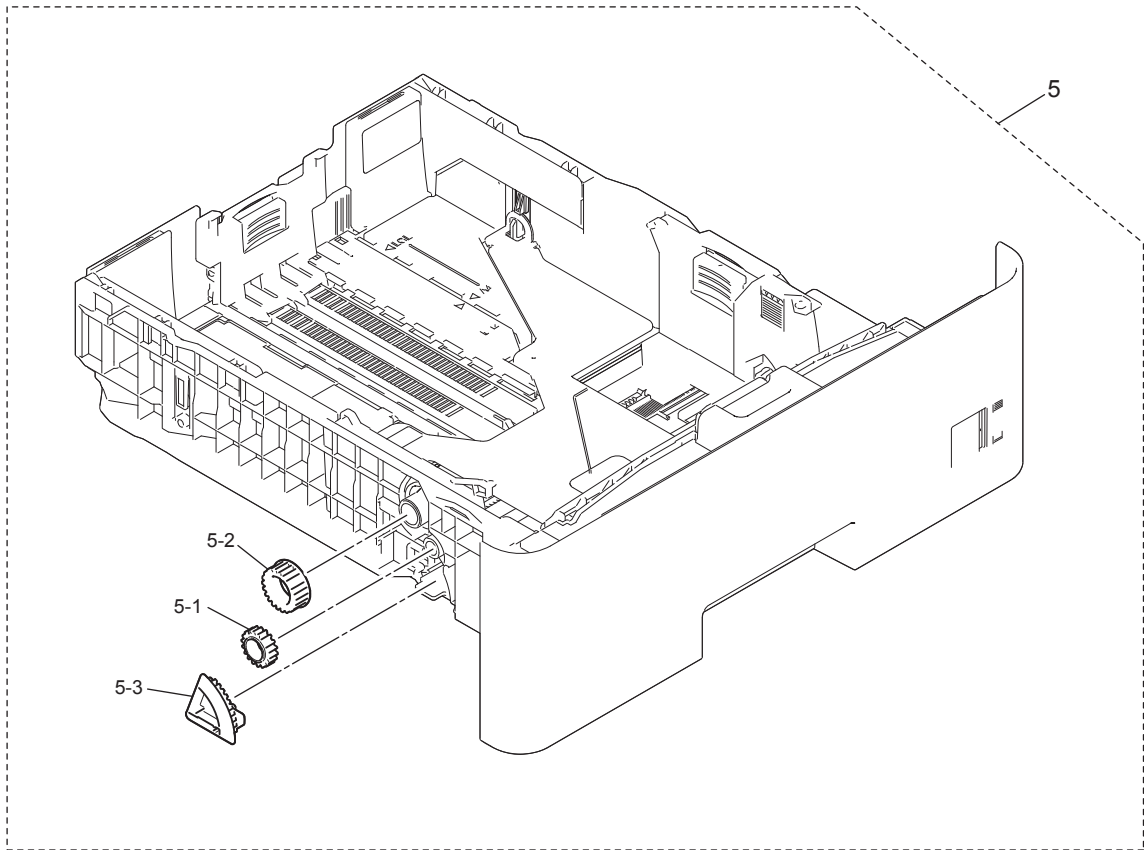


Fig.2/2



14. LT

REF No.	CODE	Q'T Y	DESCRIPTION	MODEL	SPEC	REMARKS
1	D001BT001	1	LT RELEASE CLUTCH	HL-L5100DNT		
1	D001BT001	1	LT RELEASE CLUTCH	HL-L5200DWT		
1	D001BT001	1	LT RELEASE CLUTCH	HL-L6200DWT		
1	D001BT001	1	LT RELEASE CLUTCH	HL-L6300DWT		
1	D001BT001	1	LT RELEASE CLUTCH	HL-L6400DWT		
2	LY4335001	1	LT PICKUP CLUTCH	HL-L5100DNT		
2	LY4335001	1	LT PICKUP CLUTCH	HL-L5200DWT		
2	LY4335001	1	LT PICKUP CLUTCH	HL-L6200DWT		
2	LY4335001	1	LT PICKUP CLUTCH	HL-L6300DWT		
2	LY4335001	1	LT PICKUP CLUTCH	HL-L6400DWT		
3	D001C8001	1	LT PAPER EMPTY SENSOR PCB ASSY	HL-L5100DNT		
3	D001C8001	1	LT PAPER EMPTY SENSOR PCB ASSY	HL-L5200DWT		
3	D001C8001	1	LT PAPER EMPTY SENSOR PCB ASSY	HL-L6200DWT		
3	D001C8001	1	LT PAPER EMPTY SENSOR PCB ASSY	HL-L6300DWT		
3	D001C8001	1	LT PAPER EMPTY SENSOR PCB ASSY	HL-L6400DWT		
4	D001CJ001	1	LT PAPER FEED SENSOR PCB ASSY	HL-L5100DNT		
4	D001CJ001	1	LT PAPER FEED SENSOR PCB ASSY	HL-L5200DWT		
4	D001CJ001	1	LT PAPER FEED SENSOR PCB ASSY	HL-L6200DWT		
4	D001CJ001	1	LT PAPER FEED SENSOR PCB ASSY	HL-L6300DWT		
4	D001CJ001	1	LT PAPER FEED SENSOR PCB ASSY	HL-L6400DWT		
5	D0096W001	1	LT PAPER TRAY UNIT (SP)	HL-L5100DNT		
5	D0096W001	1	LT PAPER TRAY UNIT (SP)	HL-L5200DWT		
5	D0096W001	1	LT PAPER TRAY UNIT (SP)	HL-L6200DWT		
5	D0096W002	1	LT PAPER TRAY UNIT (SP)	HL-L6300DWT		
5	D0096W002	1	LT PAPER TRAY UNIT (SP)	HL-L6400DWT		
5-1	LU9365001	1	IDLE GEAR 50 Z18M10	HL-L5100DNT		
5-1	LU9365001	1	IDLE GEAR 50 Z18M10	HL-L5200DWT		
5-1	LU9365001	1	IDLE GEAR 50 Z18M10	HL-L6200DWT		
5-1	LU9365001	1	IDLE GEAR 50 Z18M10	HL-L6300DWT		
5-1	LU9365001	1	IDLE GEAR 50 Z18M10	HL-L6400DWT		
5-2	LY4243001	1	GEAR Z22M10	HL-L5100DNT		
5-2	LY4243001	1	GEAR Z22M10	HL-L5200DWT		
5-2	LY4243001	1	GEAR Z22M10	HL-L6200DWT		
5-2	LY4243001	1	GEAR Z22M10	HL-L6300DWT		
5-2	LY4243001	1	GEAR Z22M10	HL-L6400DWT		
5-3	LY4516001	1	LIFT GEAR Z48M10	HL-L5100DNT		
5-3	LY4516001	1	LIFT GEAR Z48M10	HL-L5200DWT		
5-3	LY4516001	1	LIFT GEAR Z48M10	HL-L6200DWT		
5-3	LY4516001	1	LIFT GEAR Z48M10	HL-L6300DWT		
5-3	LY4516001	1	LIFT GEAR Z48M10	HL-L6400DWT		
6	D001HD001	1	LT CONTROL PCB ASSY	HL-L5100DNT		
6	D001HD001	1	LT CONTROL PCB ASSY	HL-L5200DWT		
6	D001HD001	1	LT CONTROL PCB ASSY	HL-L6200DWT		
6	D001HD001	1	LT CONTROL PCB ASSY	HL-L6300DWT		
6	D001HD001	1	LT CONTROL PCB ASSY	HL-L6400DWT		
7	LM9266001	1	LT/TT CONNECTOR	HL-L5100DNT		
7	LM9266001	1	LT/TT CONNECTOR	HL-L5200DWT		
7	LM9266001	1	LT/TT CONNECTOR	HL-L6200DWT		
7	LM9266001	1	LT/TT CONNECTOR	HL-L6300DWT		
7	LM9266001	1	LT/TT CONNECTOR	HL-L6400DWT		
8	LY5498001	1	LT CONNECTOR ASSY	HL-L5100DNT		
8	LY5498001	1	LT CONNECTOR ASSY	HL-L5200DWT		
8	LY5498001	1	LT CONNECTOR ASSY	HL-L6200DWT		
8	LY5498001	1	LT CONNECTOR ASSY	HL-L6300DWT		
8	LY5498001	1	LT CONNECTOR ASSY	HL-L6400DWT		