



## Laser Printer **PARTS REFERENCE LIST**

### MODEL:

HL-B2000D/B2050DN/B2080DW/  
L2310D/L2312D/ L2350DW/ L2351DW/  
L2352DW/L2357DW/ L2370DN/  
L2370DW(XL)/L2371DN/L2372DN/  
L2375DW/L2376DW/

Read this list thoroughly before maintenance work.

Keep this list in a convenient place for quick and easy reference at all times.

September 2017  
PL-PRN167  
84UH\*

## NOTE FOR USING THIS PARTS REFERENCE LIST

1. In the case of ordering parts, it is necessary to mention the following items:

- (1) Code
- (2) Q'ty
- (3) Description <Example>

	(1)	(2)	(3)			
REFNo.	CODE	Q'TY	DESCRIPTION	MODEL	SPEC	REMARKS

2. Design-changed parts:

If any of the parts code is changed in this Parts List, one of the following symbols is indicated in the REMARKS column.

- CHG (chg): The part code is changed for a new one in this Parts List.
  - ADD (add): The part code is newly added in this Parts List.
  - DEL (del) : The part code is deleted in this Parts List.
- Symbol in capital letters indicates the latest parts change information in the page.

3. Parts change will be informed by the Parts change information.

4. Parts are subject to change in design without prior notice.

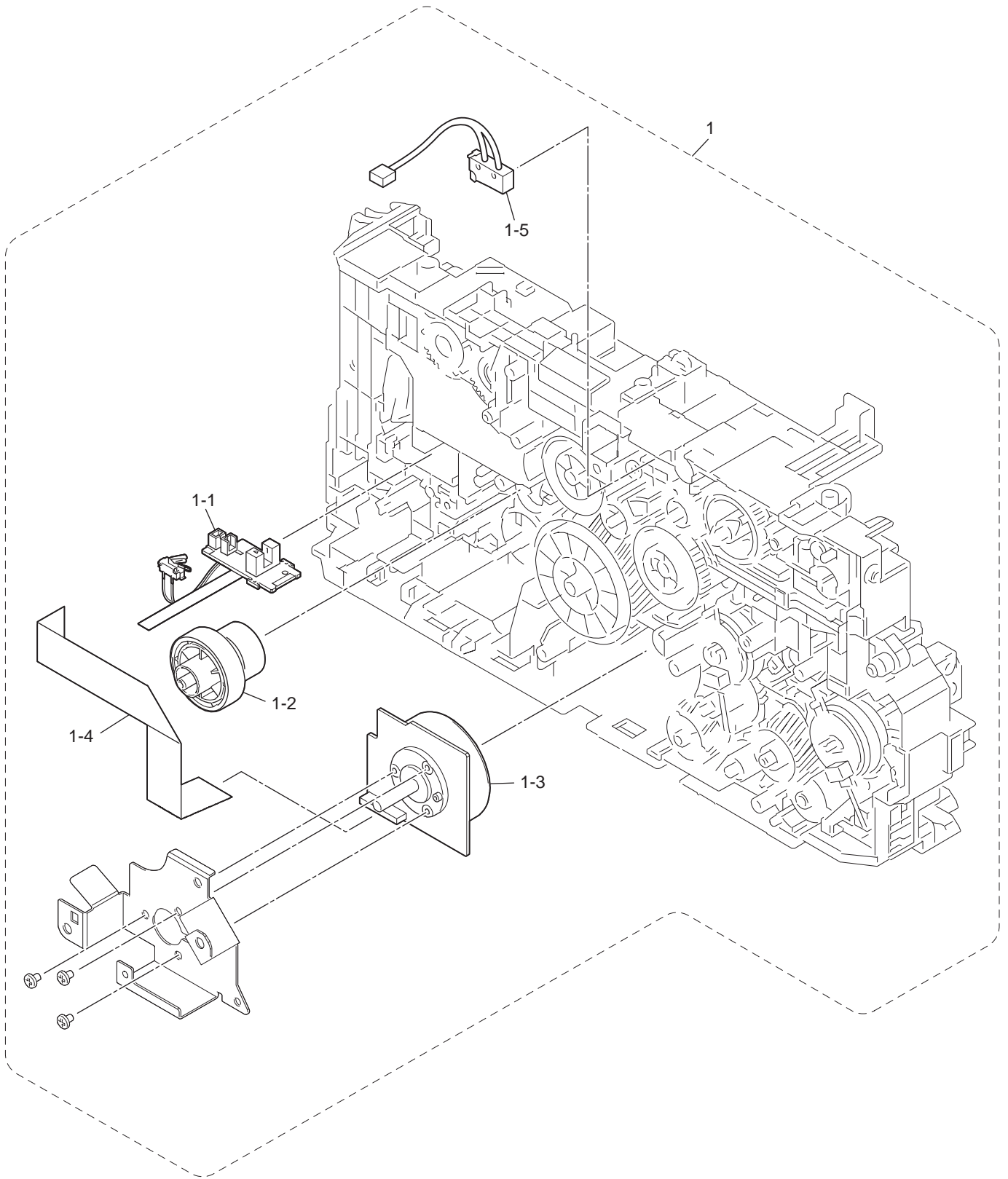
## COUNTRIES & AREAS

ARG ---- ARGENTINA	ISR ---- ISRAEL
ARL ---- AUSTRALIA	ITA ---- ITALY
ASA ---- ASIA	KOR ---- KOREA
BRA ---- BRAZIL	NZ ---- NEW ZEALAND
CAN ---- CANADA	PHL ---- PHILIPPINES
CEE ---- CEE- GENERAL	PND ---- PAN-NORDIC (NORWAY/FINLAND/DENMARK/SWEDEN)
CHL ---- CHILE	RUS ---- RUSSIA
CHN ---- CHINA	SWI ---- SWITZERLAND
FRA/BEL/HOL ----	TUR ---- TURKY
FRANCE/BELGIUM/NETHERLANDS	TWN ---- TAIWAN
GER ---- GERMANY	UK ---- UNITED KINGDOM
GULF---- GULF	USA ---- U.S.A.
IBR ---- IBERIA (SPAIN & PORTUGAL)	VNM ---- VIETNAM
IDN ---- INDONESIA	
IND ---- INDIA	

# CONTENTS

1.	<u>FRAME L &amp; DRIVE UNIT</u> .....	1
2.	<u>PAPER FEEDER</u> .....	3
3.	<u>FRAME</u> .....	5
4.	<u>LASER UNIT</u> .....	7
5.	<u>DX</u> .....	9
6.	<u>PAPER CASSETTE</u> .....	11
7.	<u>FUSER UNIT</u> .....	13
8.	<u>COVERS &amp; LABELS</u> .....	15
9.	<u>PCB</u> .....	20
10.	<u>ACCESSORIES</u> .....	23
11.	<u>PACKING MATERIALS</u> .....	25

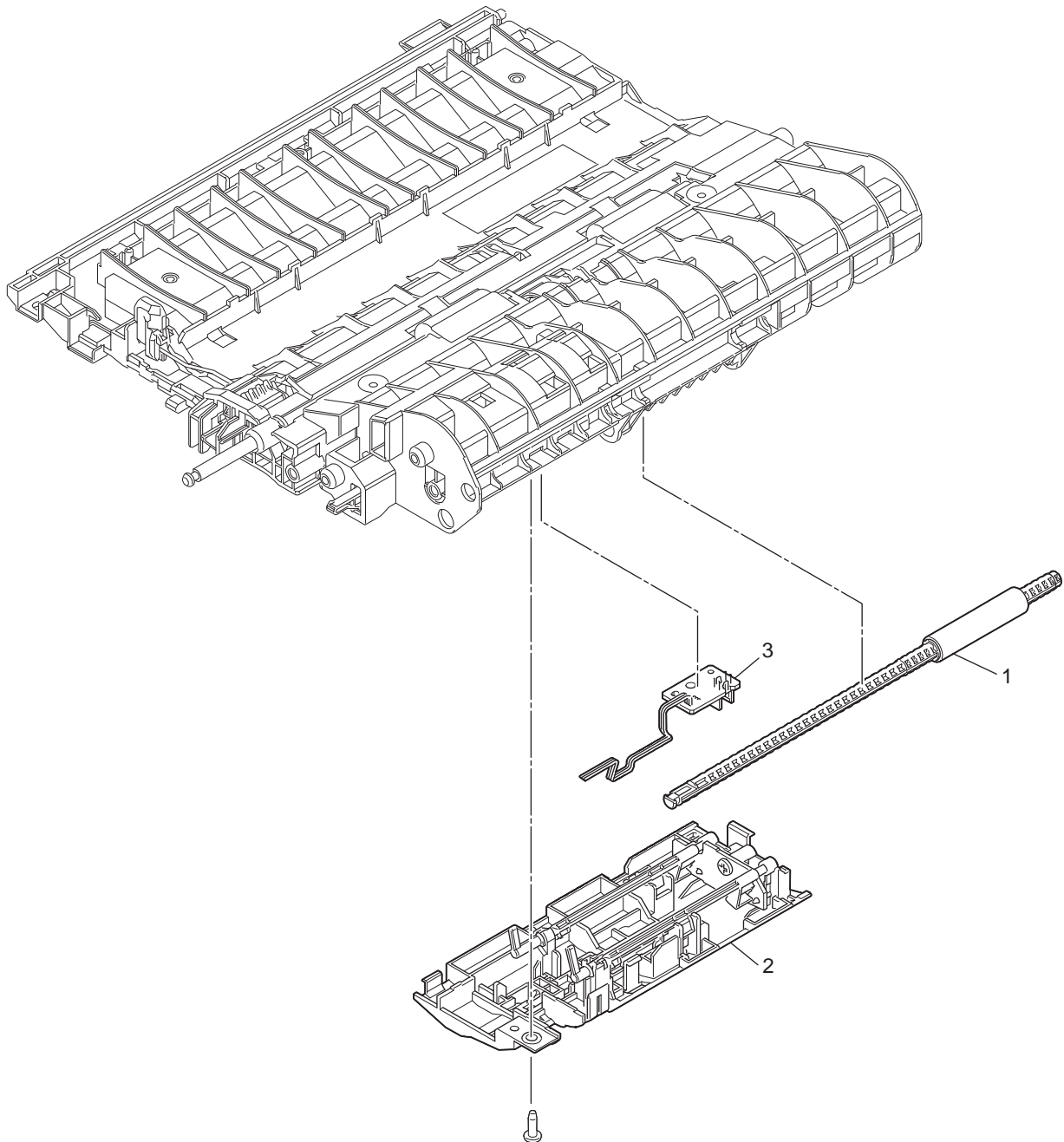
# 1. FRAME L&DRIVE UNIT



1. FRAME L&DRIVE UNIT

REF NO.	CODE	Q'TY	DESCRIPTION	MODEL	SPEC	REMARKS
1	D00WYJ001	1	FRAME L UNIT SP	HL-B2000D		
1	D00X1K001	1	FRAME L UNIT SP	HL-B2050DN		
1	D00X1K001	1	FRAME L UNIT SP	HL-B2080DW		
1	D00WYG001	1	FRAME L UNIT SP	HL-L2310D		
1	D00WYG001	1	FRAME L UNIT SP	HL-L2312D		
1	D00WYG001	1	FRAME L UNIT SP	HL-L2350DW		
1	D00WYG001	1	FRAME L UNIT SP	HL-L2351DW		
1	D00WYG001	1	FRAME L UNIT SP	HL-L2352DW		
1	D00WYG001	1	FRAME L UNIT SP	HL-L2357DW		
1	D00WYK001	1	FRAME L UNIT SP	HL-L2370DN		
1	D00WYK001	1	FRAME L UNIT SP	HL-L2370DW		
1	D00WYK001	1	FRAME L UNIT SP	HL-L2370DWXL		
1	D00WYK001	1	FRAME L UNIT SP	HL-L2371DN		
1	D00WYK001	1	FRAME L UNIT SP	HL-L2372DN		
1	D00WYK001	1	FRAME L UNIT SP	HL-L2375DW		
1	D00WYK001	1	FRAME L UNIT SP	HL-L2376DW		
1-1	LV1288001	1	EJECT SENSOR PCB ASSY			
1-2	D00ALH001	1	GEAR 64R/36R FUSER			
1-3	D00AN7001	1	MAIN MOTOR ELL			
1-4	D00G2C001	1	MAIN MOTOR FLAT CABLE			
1-5	D00ASE001	1	FRONT COVER SENSOR			

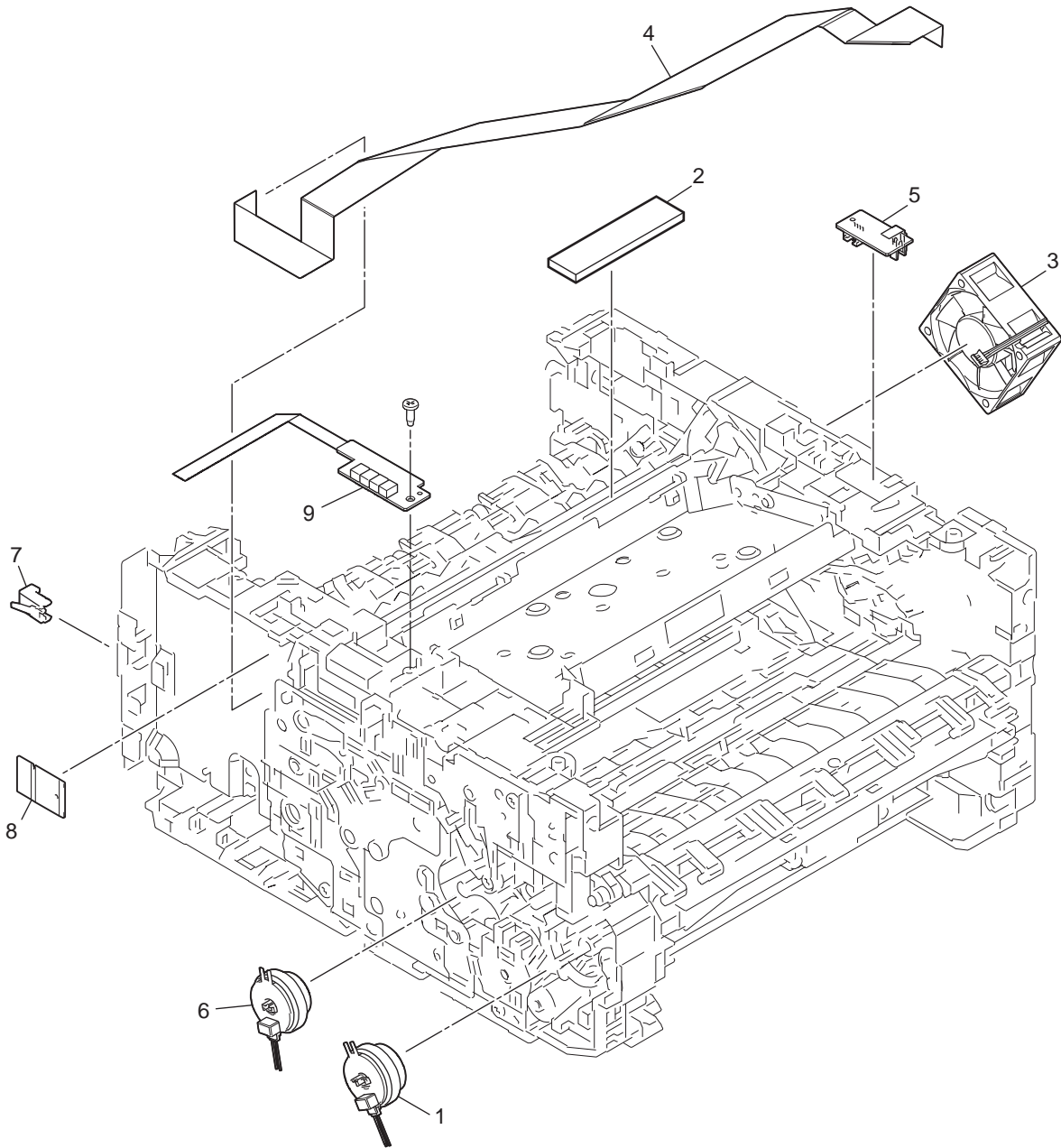
## 2. PAPER FEEDER



2. PAPER FEEDER

REF NO.	CODE	Q'TY	DESCRIPTION	MODEL	SPEC	REMARKS
1	D00VXM001	1	PAPER FEED ROLLER ASSY SP			
2	D00AGU001	1	REGISTRATION FRONT/REAR ACTUATOR HOLDER ASSY			
3	D00HH8001	1	PAPER FEED SENSOR PCB ASSY			

### 3. FRAME

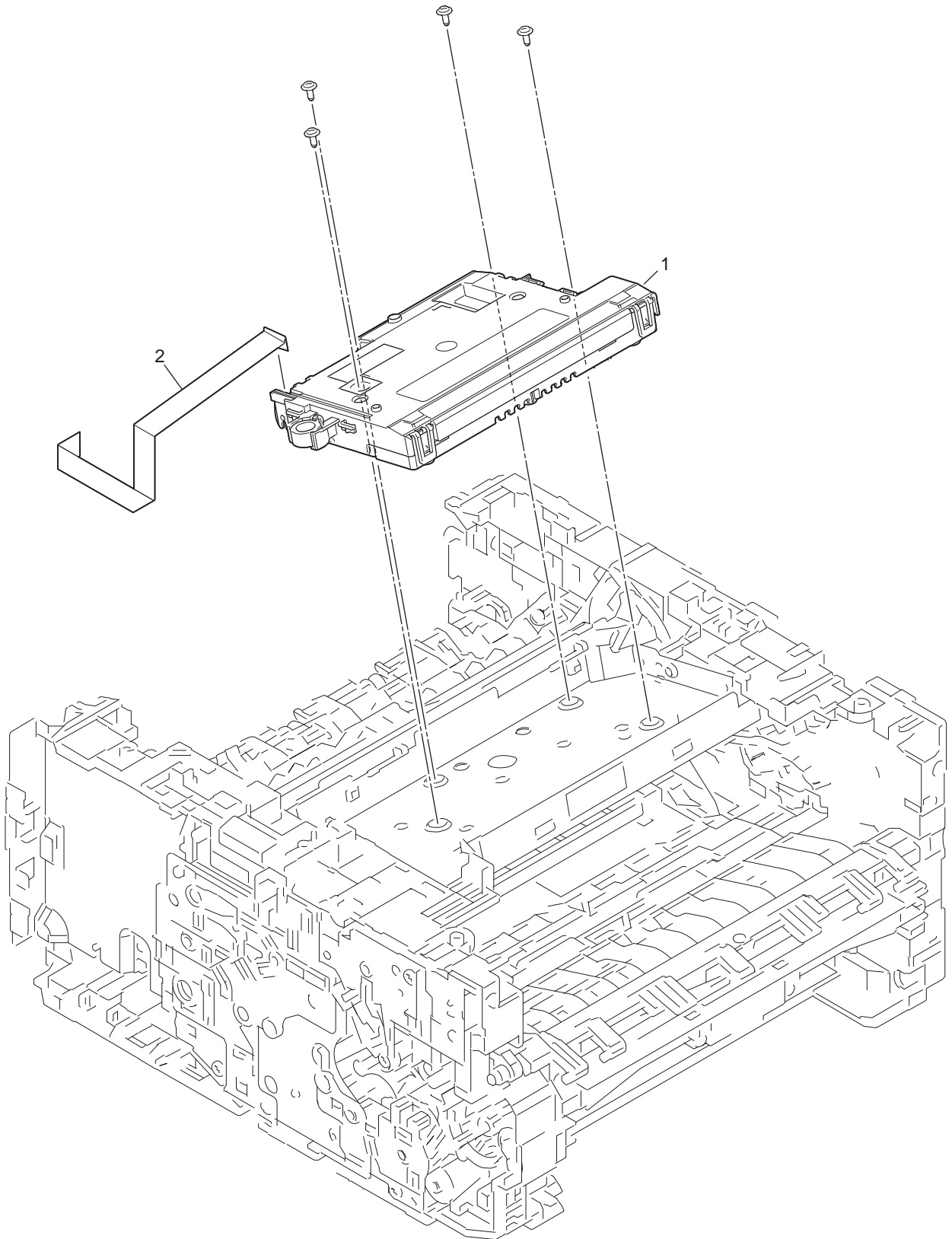




3. FRAME

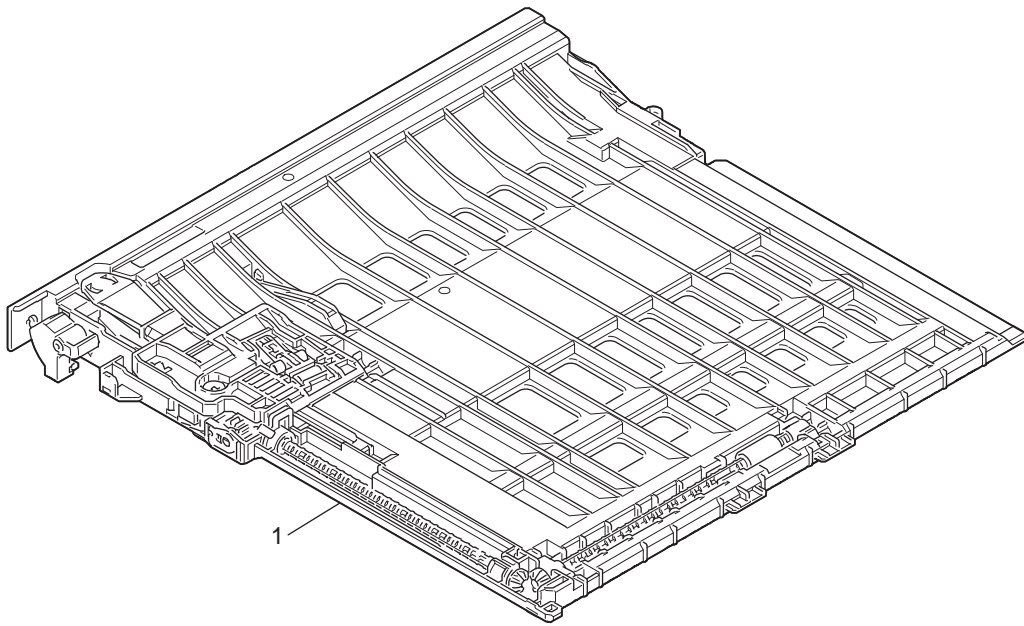
REF NO.	CODE	Q'TY	DESCRIPTION	MODEL	SPEC	REMARKS
1	D00APE001	1	T1 CLUTCH			
2	D00HB6001	1	FILTER			
3	LY9348001	1	FAN			
4	D00ASJ001	1	HVPS FLAT CABLE			
5	D00ASF001	1	NEW TONER SENSOR PCB ASSY			
6	D00APK001	1	REGISTRATION CLUTCH ASSY			
7	D001BD001	1	CAP LAN PORT	HL-B2050DN		
7	D001BD001	1	CAP LAN PORT	HL-B2080DW		
7	D001BD001	1	CAP LAN PORT	HL-L2370DN		
7	D001BD001	1	CAP LAN PORT	HL-L2370DW		
7	D001BD001	1	CAP LAN PORT	HL-L2370DWXL		
7	D001BD001	1	CAP LAN PORT	HL-L2371DN		
7	D001BD001	1	CAP LAN PORT	HL-L2372DN		
7	D001BD001	1	CAP LAN PORT	HL-L2375DW		
7	D001BD001	1	CAP LAN PORT	HL-L2376DW		
8	LD1969001	1	W-LAM PCB ASSY	HL-B2080DW		
8	LD1969001	1	W-LAM PCB ASSY	HL-L2350DW		
8	LD1969001	1	W-LAM PCB ASSY	HL-L2351DW		
8	LD1969001	1	W-LAM PCB ASSY	HL-L2352DW		
8	LD1969001	1	W-LAM PCB ASSY	HL-L2357DW		
8	LD1969001	1	W-LAM PCB ASSY	HL-L2370DW		
8	LD1969001	1	W-LAM PCB ASSY	HL-L2370DWXL		
8	LD1969001	1	W-LAM PCB ASSY	HL-L2375DW		
8	LD1969001	1	W-LAM PCB ASSY	HL-L2376DW		
9	D00ASS001	1	TONER BOX RELAY PCB ASSY	HL-B2000D		
9	D00ASS001	1	TONER BOX RELAY PCB ASSY	HL-B2050DN		
9	D00ASS001	1	TONER BOX RELAY PCB ASSY	HL-B2080DW		

## 4. LASER UNIT



4. LASER UNIT

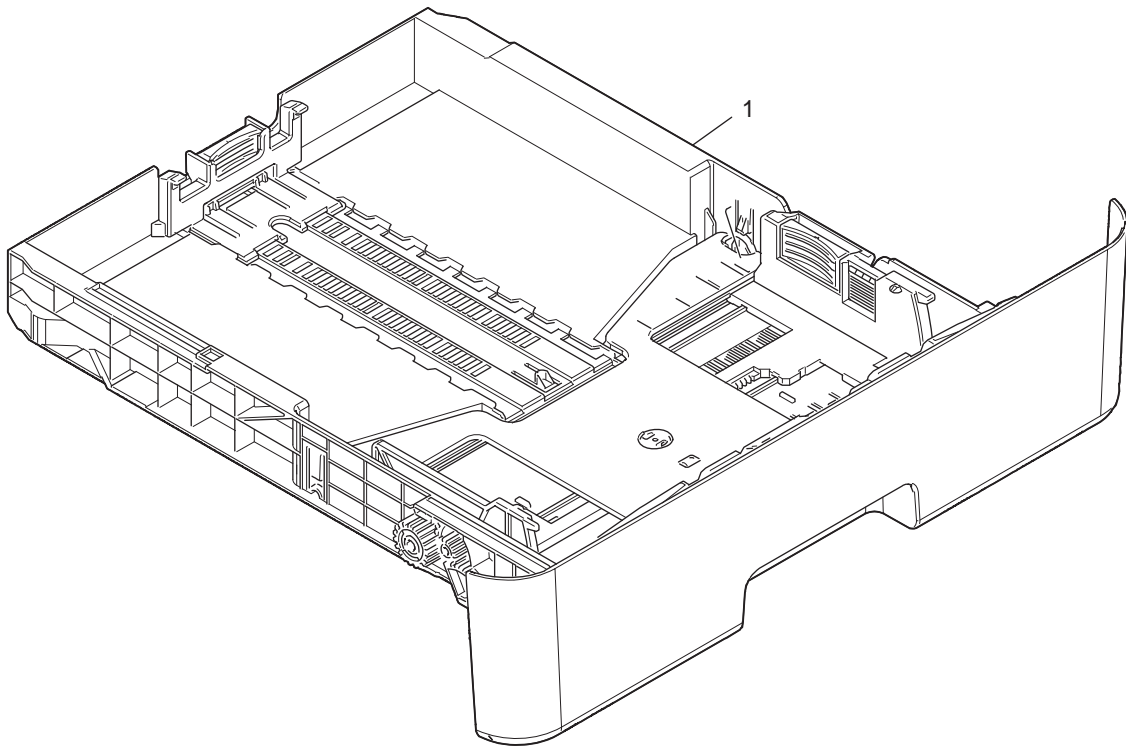
REF NO.	CODE	Q'TY	DESCRIPTION	MODEL	SPEC	REMARKS
1	D008ZW001	1	LASER UNIT(SP)	HL-B2000D	FOR VNM/IDN/CHN	
1	D00KF0001	1	LASER UNIT(SP)	HL-B2000D	FOR IND	
1	D008ZW001	1	LASER UNIT(SP)	HL-B2050DN		
1	D00KF0001	1	LASER UNIT(SP)	HL-B2080DW	FOR IND	
1	D008ZW001	1	LASER UNIT(SP)	HL-B2080DW	FOR VNM/IDN	
1	D00KEZ001	1	LASER UNIT(SP)	HL-L2310D		
1	D00KEZ001	1	LASER UNIT(SP)	HL-L2312D		
1	D00KEZ001	1	LASER UNIT(SP)	HL-L2350DW		
1	D008ZX001	1	LASER UNIT(SP)	HL-L2351DW		
1	D00KEZ001	1	LASER UNIT(SP)	HL-L2352DW		
1	D00KEZ001	1	LASER UNIT(SP)	HL-L2357DW		
1	D008ZW001	1	LASER UNIT(SP)	HL-L2370DN		
1	D00KF3001	1	LASER UNIT(SP)	HL-L2370DW		
1	D008ZW001	1	LASER UNIT(SP)	HL-L2370DWXL		
1	D008ZW001	1	LASER UNIT(SP)	HL-L2371DN		
1	D008ZW001	1	LASER UNIT(SP)	HL-L2372DN		
1	D008ZW001	1	LASER UNIT(SP)	HL-L2375DW		
1	D008ZW001	1	LASER UNIT(SP)	HL-L2376DW		
2	D00916001	1	LASER UNIT FLAT CABLE			



## 5. DX

REF NO.	CODE	Q'TY	DESCRIPTION	MODEL	SPEC	REMARKS
1	D00HYA003	1	DUPLEX TRAY	HL-B2000D	FOR CHN	
1	D008U1003	1	DUPLEX TRAY	HL-B2000D	FOR VNM/IDN/IND	
1	D00HYA003	1	DUPLEX TRAY	HL-B2050DN		
1	D008U1003	1	DUPLEX TRAY	HL-B2080DW		
1	D008U1002	1	DUPLEX TRAY	HL-L2310D		
1	D008U1002	1	DUPLEX TRAY	HL-L2312D		
1	D008U1002	1	DUPLEX TRAY	HL-L2350DW	FOR GER/UK/ARL/SWI/FRA/BEL/ HOL/IBR	
1	D008TT002	1	DUPLEX TRAY	HL-L2350DW	FOR USA	
1	D008U1002	1	DUPLEX TRAY	HL-L2351DW		
1	D008U1002	1	DUPLEX TRAY	HL-L2352DW		
1	D008U1002	1	DUPLEX TRAY	HL-L2357DW		
1	D008U1001	1	DUPLEX TRAY	HL-L2370DN		
1	D008TT001	1	DUPLEX TRAY	HL-L2370DW		
1	D008TT001	1	DUPLEX TRAY	HL-L2370DWXL		
1	D008U1001	1	DUPLEX TRAY	HL-L2371DN		
1	D008U1001	1	DUPLEX TRAY	HL-L2372DN		
1	D008TT001	1	DUPLEX TRAY	HL-L2375DW	FOR PHL	
1	D008U1001	1	DUPLEX TRAY	HL-L2375DW	FOR ASA/GER/UK/ARL/ITA/IBE/ NZ/FRA/BEL/HOL/PND	
1	D008U1001	1	DUPLEX TRAY	HL-L2376DW		

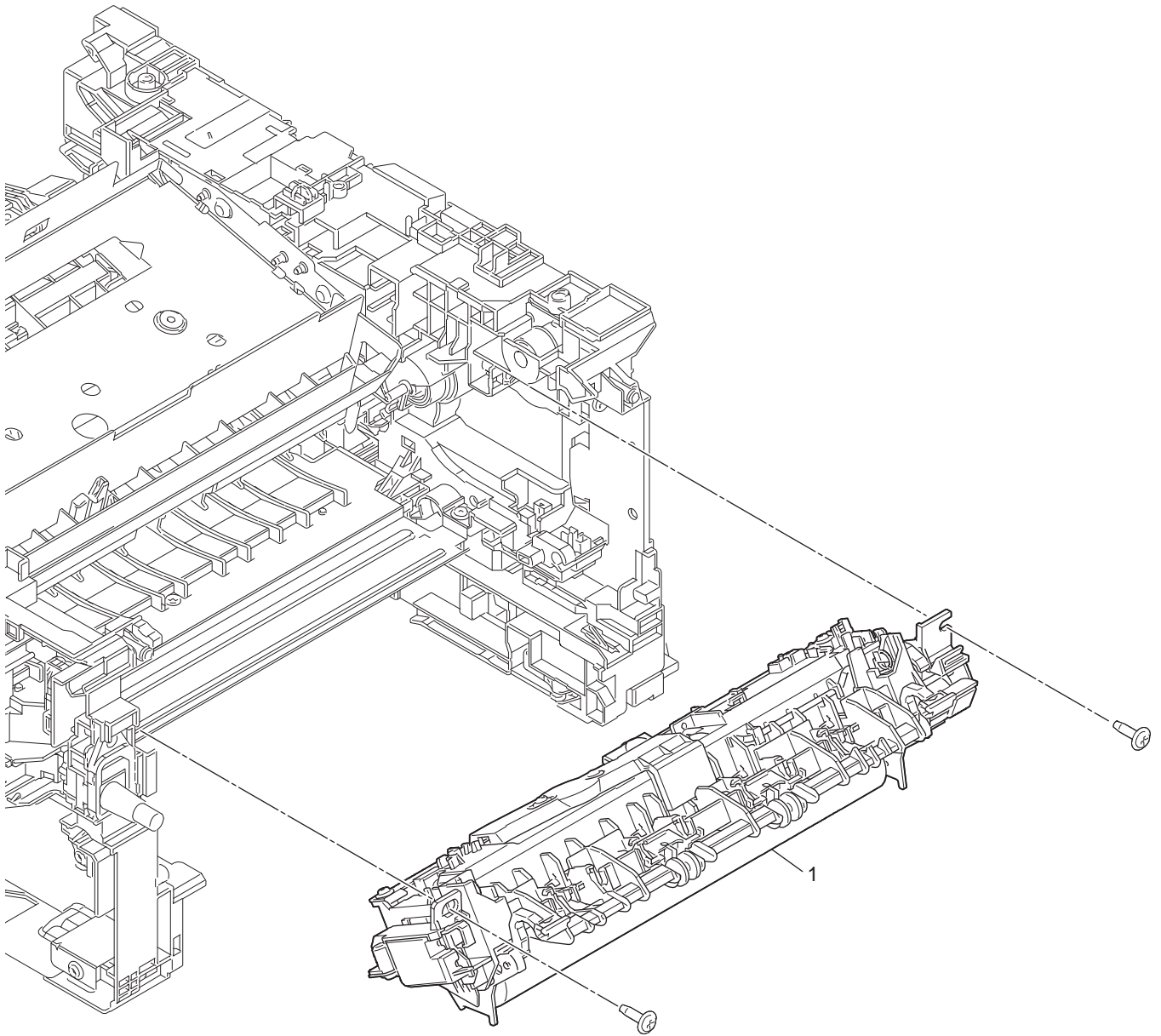
## 6. PAPER CASSETTE



6. PAPER CASSETTE

REF NO.	CODE	Q'TY	DESCRIPTION	MODEL	SPEC	REMARKS
1	D00APZ003	1	PAPER TRAY	HL-B2000D	FOR VNM/IDN/IND	
1	D00AR3003	1	PAPER TRAY	HL-B2000D	FOR CHN	
1	D00AR3003	1	PAPER TRAY	HL-B2050DN		
1	D00APZ003	1	PAPER TRAY	HL-B2080DW		
1	D00HE9003	1	PAPER TRAY	HL-B2080DW	FOR CEE	
1	D00HE9002	1	PAPER TRAY	HL-L2310D		
1	D00HE9002	1	PAPER TRAY	HL-L2312D		
1	D00APZ002	1	PAPER TRAY	HL-L2350DW	FOR USA	
1	D00HE9002	1	PAPER TRAY	HL-L2350DW	FOR GER/UK/ARL/SWI/FRA/BEL/ HOL/IBR	
1	D00APZ002	1	PAPER TRAY	HL-L2351DW		
1	D00HE9002	1	PAPER TRAY	HL-L2352DW		
1	D00HE9002	1	PAPER TRAY	HL-L2357DW		
1	D00APZ001	1	PAPER TRAY	HL-L2370DN	FOR ASA	
1	D00HE9001	1	PAPER TRAY	HL-L2370DN	FOR GER/UK/SWI/ITA/FRA/BEL/ HOL/IBR/PND	
1	D00APZ001	1	PAPER TRAY	HL-L2370DW		
1	D00APZ001	1	PAPER TRAY	HL-L2370DWXL		
1	D00HE9001	1	PAPER TRAY	HL-L2371DN		
1	D00HE9001	1	PAPER TRAY	HL-L2372DN		
1	D00APZ001	1	PAPER TRAY	HL-L2375DW	FOR PHL/ASA	
1	D00HE9001	1	PAPER TRAY	HL-L2375DW	FOR GER/UK/ARL/ITA/IBE/NZ/ FRA/BEL/HOL/PND	
1	D00HE9001	1	PAPER TRAY	HL-L2376DW		

## 7. FUSER UNIT

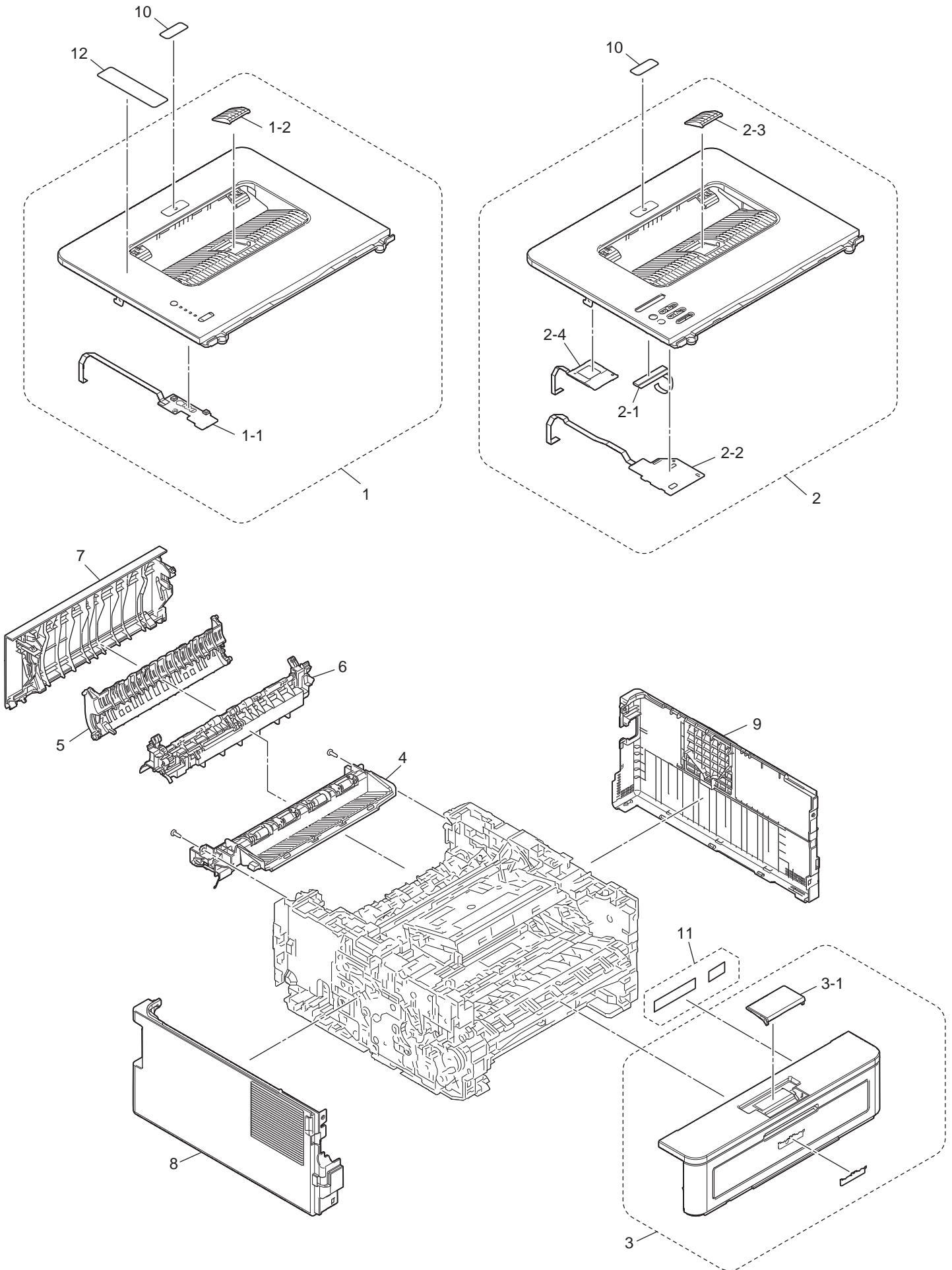




7. FUSER UNIT

REF NO.	CODE	Q'TY	DESCRIPTION	MODEL	SPEC	REMARKS
1	D00KV3001	1	FUSER UNIT 230S (SP)		FOR PND/CEE/IDN/GER/ UK/ITA/ISR/NZ/FRA/BEL/HOL/ IBR/VNM/CHN/IND/UK/ARL/ SWI/ASA/RUS/PHL/TUR/ITA/IBE	
1	D00KUA001	1	FUSER UNIT 115S (SP)		FOR USA/CAN	

## 8. COVERS & LABELS



8. COVERS & LABELS

REF No.	CODE	Q'TY	DESCRIPTION	MODEL	SPEC	REMARKS
1	D00X8F001	1	TOP COVER ASSY SP	HL-B2000D	FOR VNM/IDN	
1	D00X1J001	1	TOP COVER ASSY SP	HL-B2000D	FOR CHN	
1	D00X8F001	1	TOP COVER ASSY SP	HL-B2000D	FOR IND	
1	D00X8E001	1	TOP COVER ASSY SP	HL-L2310D		
1	D00X8E001	1	TOP COVER ASSY SP	HL-L2312D		
1-1	D00ASR001	1	PANEL PCB ASSY	HL-B2000D		
1-1	D00ASR001	1	PANEL PCB ASSY	HL-L2310D		
1-1	D00ASR001	1	PANEL PCB ASSY	HL-L2312D		
1-2	LY9120003	1	EJECT PAPER GUIDE	HL-B2000D		
1-2	LY9120001	1	EJECT PAPER GUIDE	HL-L2312D		
1-2	LY9120001	1	EJECT PAPER GUIDE	HL-L2310D		
2	D00WZ9001	1	TOP COVER ASSY SP	HL-B2050DN		
2	D00X8H001	1	TOP COVER ASSY SP	HL-B2080DW		
2	D00X8G001	1	TOP COVER ASSY SP	HL-L2350DW		
2	D00X8G001	1	TOP COVER ASSY SP	HL-L2351DW		
2	D00X8G001	1	TOP COVER ASSY SP	HL-L2352DW		
2	D00X8G001	1	TOP COVER ASSY SP	HL-L2357DW		
2	D00XR8001	1	TOP COVER ASSY SP	HL-L2370DN		
2	D00X8G001	1	TOP COVER ASSY SP	HL-L2370DW		
2	D00X8G001	1	TOP COVER ASSY SP	HL-L2370DWXL		
2	D00XR8001	1	TOP COVER ASSY SP	HL-L2371DN		
2	D00XR8001	1	TOP COVER ASSY SP	HL-L2372DN		
2	D00X8G001	1	TOP COVER ASSY SP	HL-L2375DW		
2	D00X8G001	1	TOP COVER ASSY SP	HL-L2376DW		
2-1	A51456001	1	LCD	HL-B2050DN		
2-1	A51456001	1	LCD	HL-B2080DW		
2-1	A51456001	1	LCD	HL-L2350DW		
2-1	A51456001	1	LCD	HL-L2351DW		
2-1	A51456001	1	LCD	HL-L2352DW		
2-1	A51456001	1	LCD	HL-L2357DW		
2-1	A51456001	1	LCD	HL-L2370DN		
2-1	A51456001	1	LCD	HL-L2370DW		
2-1	A51456001	1	LCD	HL-L2370DWXL		
2-1	A51456001	1	LCD	HL-L2371DN		
2-1	A51456001	1	LCD	HL-L2372DN		
2-1	A51456001	1	LCD	HL-L2375DW		
2-1	A51456001	1	LCD	HL-L2376DW		
2-2	D00ASP001	1	PANEL PCB ASSY	HL-B2050DN		
2-2	D00ASP001	1	PANEL PCB ASSY	HL-B2080DW		
2-2	D00ASP001	1	PANEL PCB ASSY	HL-L2350DW		
2-2	D00ASP001	1	PANEL PCB ASSY	HL-L2351DW		
2-2	D00ASP001	1	PANEL PCB ASSY	HL-L2352DW		
2-2	D00ASP001	1	PANEL PCB ASSY	HL-L2357DW		
2-2	D00ASP001	1	PANEL PCB ASSY	HL-L2370DN		
2-2	D00ASP001	1	PANEL PCB ASSY	HL-L2370DW		
2-2	D00ASP001	1	PANEL PCB ASSY	HL-L2370DWXL		
2-2	D00ASP001	1	PANEL PCB ASSY	HL-L2371DN		
2-2	D00ASP001	1	PANEL PCB ASSY	HL-L2372DN		
2-2	D00ASP001	1	PANEL PCB ASSY	HL-L2375DW		
2-2	D00ASP001	1	PANEL PCB ASSY	HL-L2376DW		
2-3	LY9120003	1	EJECT PAPER GUIDE	HL-B2050DN		
2-3	LY9120003	1	EJECT PAPER GUIDE	HL-B2080DW		
2-3	LY9120001	1	EJECT PAPER GUIDE	HL-L2350DW		
2-3	LY9120001	1	EJECT PAPER GUIDE	HL-L2351DW		
2-3	LY9120001	1	EJECT PAPER GUIDE	HL-L2352DW		
2-3	LY9120001	1	EJECT PAPER GUIDE	HL-L2357DW		
2-3	LY9120001	1	EJECT PAPER GUIDE	HL-L2370DN		
2-3	LY9120001	1	EJECT PAPER GUIDE	HL-L2370DW		
2-3	LY9120001	1	EJECT PAPER GUIDE	HL-L2370DWXL		
2-3	LY9120001	1	EJECT PAPER GUIDE	HL-L2371DN		
2-3	LY9120001	1	EJECT PAPER GUIDE	HL-L2372DN		
2-3	LY9120001	1	EJECT PAPER GUIDE	HL-L2375DW		
2-3	LY9120001	1	EJECT PAPER GUIDE	HL-L2376DW		
3	D00SXX001	1	FRONT COVER ASSY	HL-L2375DW	FOR ASA/PHL	
3	D00SXX001	1	FRONT COVER ASSY	HL-L2376DW		
3	D00V7B003	1	FRONT COVER ASSY		FOR CHN	
3	D00MY3003	1	FRONT COVER ASSY	HL-B2000D	FOR VNM/IDN	

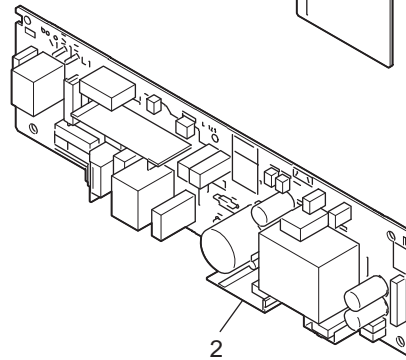
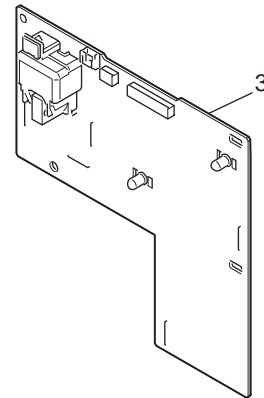
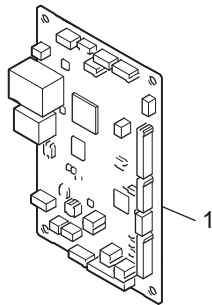
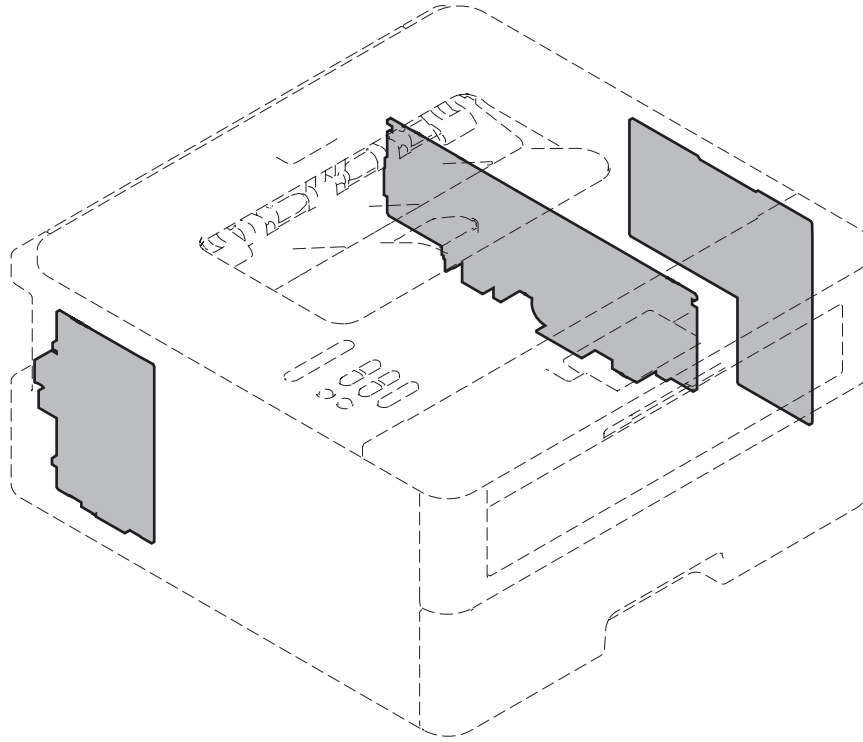
8. COVERS & LABELS

REF No.	CODE	Q'TY	DESCRIPTION	MODEL	SPEC	REMARKS
3	D00SXX003	1	FRONT COVER ASSY	HL-B2000D	FOR IND	
3	D00MY3003	1	FRONT COVER ASSY	HL-B2080DW	FOR VNM/IDN	
3	D00SXX003	1	FRONT COVER ASSY	HL-B2080DW	FOR IND	
3	D00UDX003	1	FRONT COVER ASSY	HL-B2080DW-CEE		
3	D00MY3002	1	FRONT COVER ASSY	HL-L2310D	FOR GER/UK/ITA/ISR/FRA/BEL/ HOL/IBR/PND	
3	D00ANP002	1	FRONT COVER ASSY	HL-L2310D	FOR NZ	
3	D00ANP002	1	FRONT COVER ASSY	HL-L2312D		
3	D00ANP002	1	FRONT COVER ASSY	HL-L2350DW	FOR USA	
3	D00MY3002	1	FRONT COVER ASSY	HL-L2350DW	FOR GER/UK/ARL/SWI/FRA/BEL/ HOL/IBR/PND	
3	D00MY3002	1	FRONT COVER ASSY	HL-L2351DW		
3	D00ANP002	1	FRONT COVER ASSY	HL-L2352DW		
3	D00MY3002	1	FRONT COVER ASSY	HL-L2357DW		
3	D00MY3001	1	FRONT COVER ASSY	HL-L2370DN	FOR GER/UK/SWI/ITA/FRA/BEL/ HOL/IBR/PND	
3	D00SXX001	1	FRONT COVER ASSY	HL-L2370DN	FOR ASA	
3	D00ANP001	1	FRONT COVER ASSY	HL-L2370DW		
3	D00ANP001	1	FRONT COVER ASSY	HL-L2370DWXL		
3	D00V7B001	1	FRONT COVER ASSY	HL-L2371DN		
3	D00ANP001	1	FRONT COVER ASSY	HL-L2372DN		
3	D00MY3001	1	FRONT COVER ASSY	HL-L2375DW	FOR GER/UK/ARL/ITA/IBE/FRA/ BEL/HOL/PND	
3	D00ANP001	1	FRONT COVER ASSY	HL-L2375DW	FOR NZ	
3-1	D00GFN002	1	PAPER STOPPER	HL-B2000D		
3-1	D00GFN002	1	PAPER STOPPER	HL-B2050DN		
3-1	D00GFN002	1	PAPER STOPPER	HL-B2080DW		
3-1	D00GFN001	1	PAPER STOPPER	HL-L2310D		
3-1	D00GFN001	1	PAPER STOPPER	HL-L2312D		
3-1	D00GFN001	1	PAPER STOPPER	HL-L2350DW		
3-1	D00GFN001	1	PAPER STOPPER	HL-L2351DW		
3-1	D00GFN001	1	PAPER STOPPER	HL-L2352DW		
3-1	D00GFN001	1	PAPER STOPPER	HL-L2357DW		
3-1	D00GFN001	1	PAPER STOPPER	HL-L2370DN		
3-1	D00GFN001	1	PAPER STOPPER	HL-L2370DW		
3-1	D00GFN001	1	PAPER STOPPER	HL-L2370DWXL		
3-1	D00GFN001	1	PAPER STOPPER	HL-L2371DN		
3-1	D00GFN001	1	PAPER STOPPER	HL-L2372DN		
3-1	D00GFN001	1	PAPER STOPPER	HL-L2375DW		
3-1	D00GFN001	1	PAPER STOPPER	HL-L2376DW		
4	LY9130003	1	INNER CHUTE ASSY	HL-B2000D		
4	LY9130003	1	INNER CHUTE ASSY	HL-B2080DW		
4	LY9130001	1	INNER CHUTE ASSY	HL-L2310D		
4	LY9130001	1	INNER CHUTE ASSY	HL-L2312D		
4	LY9130001	1	INNER CHUTE ASSY	HL-L2350DW		
4	LY9130001	1	INNER CHUTE ASSY	HL-L2352DW		
4	LY9130001	1	INNER CHUTE ASSY	HL-L2357DW		
4	LY9130001	1	INNER CHUTE ASSY	HL-L2370DN		
4	LY9130001	1	INNER CHUTE ASSY	HL-L2370DW		
4	LY9130001	1	INNER CHUTE ASSY	HL-L2370DWXL		
4	LY9130001	1	INNER CHUTE ASSY	HL-L2372DN		
4	LY9130001	1	INNER CHUTE ASSY	HL-L2375DW		
5	LY9146001	1	OUTER CHUTE ASSY			
6	D00AL5001	1	REAR CHUTE ASSY			
7	D00AR0003	1	BACK COVER ASSY	HL-B2000D	FOR CHN	
7	D00AYZ003	1	BACK COVER ASSY	HL-B2000D	FOR VNM/IDN/IND	
7	D00AR0003	1	BACK COVER ASSY	HL-B2050DN		
7	D00AYZ003	1	BACK COVER ASSY	HL-B2080DW		
7	D00AYZ002	1	BACK COVER ASSY	HL-L2310D		
7	D00AYZ002	1	BACK COVER ASSY	HL-L2312D		
7	D00AYZ002	1	BACK COVER ASSY	HL-L2350DW		
7	D00AYZ002	1	BACK COVER ASSY	HL-L2351DW		
7	D00AYZ002	1	BACK COVER ASSY	HL-L2352DW		
7	D00AYZ002	1	BACK COVER ASSY	HL-L2357DW		
7	D00AYZ001	1	BACK COVER ASSY	HL-L2370DN		
7	D00AYZ001	1	BACK COVER ASSY	HL-L2370DW		
7	D00AYZ001	1	BACK COVER ASSY	HL-L2370DWXL		
7	D00AYZ001	1	BACK COVER ASSY	HL-L2371DN		

8. COVERS & LABELS

REF No.	CODE	Q'TY	DESCRIPTION	MODEL	SPEC	REMARKS
7	D00AYZ001	1	BACK COVER ASSY	HL-L2372DN		
7	D00AYZ001	1	BACK COVER ASSY	HL-L2375DW		
7	D00AYZ001	1	BACK COVER ASSY	HL-L2376DW		
8	D00SAF003	1	SIDE COVER L ASSY	HL-B2000D		
8	D00SAF003	1	SIDE COVER L ASSY	HL-B2050DN		
8	D00SAF003	1	SIDE COVER L ASSY	HL-B2080DW		
8	D00AN0002	1	SIDE COVER L ASSY	HL-L2310D		
8	D00AN0002	1	SIDE COVER L ASSY	HL-L2312D		
8	D00AN0002	1	SIDE COVER L ASSY	HL-L2350DW		
8	D00AN0002	1	SIDE COVER L ASSY	HL-L2351DW		
8	D00AN0002	1	SIDE COVER L ASSY	HL-L2352DW		
8	D00AN0002	1	SIDE COVER L ASSY	HL-L2357DW		
8	D00AN0001	1	SIDE COVER L ASSY	HL-L2370DN		
8	D00AN0001	1	SIDE COVER L ASSY	HL-L2370DW		
8	D00AN0001	1	SIDE COVER L ASSY	HL-L2370DWXL		
8	D00AN0001	1	SIDE COVER L ASSY	HL-L2371DN		
8	D00AN0001	1	SIDE COVER L ASSY	HL-L2372DN		
8	D00AN0001	1	SIDE COVER L ASSY	HL-L2375DW		
8	D00AN0001	1	SIDE COVER L ASSY	HL-L2376DW		
9	D00APX003	1	SIDE COVER R ASSY	HL-B2000D	FOR CHN	
9	D00AN1003	1	SIDE COVER R ASSY	HL-B2000D	FOR VNM/IDN/IND	
9	D00APX003	1	SIDE COVER R ASSY	HL-B2050DN		
9	D00AN1003	1	SIDE COVER R ASSY	HL-B2080DW		
9	D00AN1002	1	SIDE COVER R ASSY	HL-L2310D		
9	D00AN1002	1	SIDE COVER R ASSY	HL-L2312D		
9	D00AN1002	1	SIDE COVER R ASSY	HL-L2350DW		
9	D00AN1002	1	SIDE COVER R ASSY	HL-L2351DW		
9	D00AN1002	1	SIDE COVER R ASSY	HL-L2352DW		
9	D00AN1002	1	SIDE COVER R ASSY	HL-L2357DW		
9	D00AN1001	1	SIDE COVER R ASSY	HL-L2370DN		
9	D00AN1001	1	SIDE COVER R ASSY	HL-L2370DW		
9	D00AN1001	1	SIDE COVER R ASSY	HL-L2370DWXL		
9	D00AN1001	1	SIDE COVER R ASSY	HL-L2371DN		
9	D00AN1001	1	SIDE COVER R ASSY	HL-L2372DN		
9	D00AN1001	1	SIDE COVER R ASSY	HL-L2375DW		
9	D00AN1001	1	SIDE COVER R ASSY	HL-L2376DW		
10	D00MXT001	1	MODEL PLATE B2000D	HL-B2000D		
10	D00MXS001	1	MODEL PLATE B2050DN	HL-B2050DN		
10	D00HJX001	1	MODEL PLATE B2080DW	HL-B2080DW		
10	D00HJT001	1	MODEL PLATE L2310D	HL-L2310D		
10	D00TZR001	1	MODEL PLATE L2312D	HL-L2312D		
10	D00HJU001	1	MODEL PLATE L2350DW	HL-L2350DW		
10	D00V0B001	1	MODEL PLATE L2351DW	HL-L2351DW		
10	D00TZS001	1	MODEL PLATE L2352DW	HL-L2352DW		
10	D00MXR001	1	MODEL PLATE L2357DW	HL-L2357DW		
10	D00MXN001	1	MODEL PLATE L2370DN	HL-L2370DN		
10	D00HJV001	1	MODEL PLATE L2370DW	HL-L2370DW		
10	D00HJV001	1	MODEL PLATE L2370DW	HL-L2370DWXL		
10	D00VCA001	1	MODEL PLATE L2371DN	HL-L2371DN		
10	D00TZT001	1	MODEL PLATE L2372DN	HL-L2372DN		
10	D00HJW001	1	MODEL PLATE L2375DW	HL-L2375DW		
10	D00V71001	1	MODEL PLATE L2376DW	HL-L2376DW		
10	D00TZR001	1	MODEL PLATE L2312D	HL-L2312D		
10	D00TZS001	1	MODEL PLATE L2352DW	HL-L2352DW		
10	D00TZT001	1	MODEL PLATE L2372DN	HL-L2372DN		
11	D00UYR001	1	LABEL CAUTION FRONT CHN 17X35		FOR CHN	
11	D00LGZ001	1	LABEL CAUTION FRONT 17X35		FOR PND/CEE/GER/UK/ ITA/ISR/NZ/FRA/BEL/HOL/ IBE/VNM/IDN/IND/UK/ARL/ SWI/ASA/RUS/PHL/TUR/ITA/CAN/	
11	D00LGX001	1	LABEL CAUTION FRONT US 17X100	HL-L2350DW	FOR USA	
11	D00UKC001	1	LABEL CAUTION FRONT SHY 17X100	HL-L2370DW	FOR USA	
11	D00UKC001	1	LABEL CAUTION FRONT SHY 17X100	HL-L2370DWXL		
12	D00MXX001	1	LED LABEL	HL-B2000D	FOR CHN	
12	D00MY001	1	LED LABEL	HL-B2000D	FOR VNM/IDN/IND	
12	LY9559001	1	LED LABEL	HL-L2310D	FOR NZ	

9. PCB



9. PCB

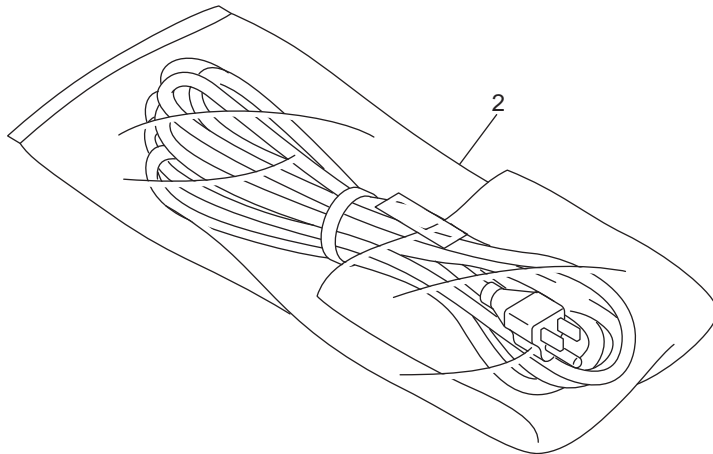
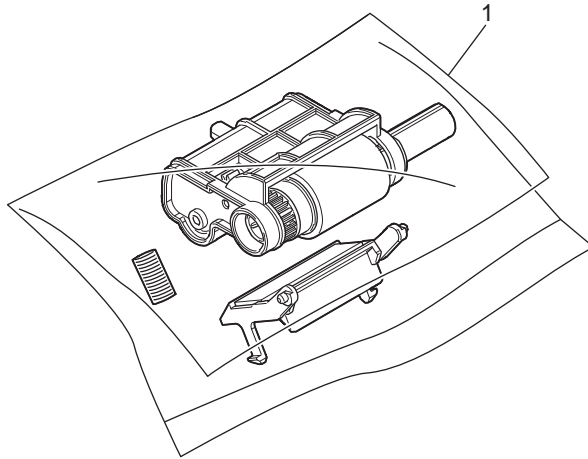
REF No.	CODE	Q'TY	DESCRIPTION	MODEL	SPEC	REMARKS
1	D00LD3002	1	MAIN PCB ASSY	HL-L2310D		
1	D00LD3002	1	MAIN PCB ASSY	HL-L2312D		
1	D00LD2001	1	MAIN PCB ASSY	HL-L2350DW	FOR USA	
1	D00LD2002	1	MAIN PCB ASSY	HL-L2350DW	FOR GER/UK/SWI/FRA/BEL/HOL/ IBR/PND	
1	D00LD2004	1	MAIN PCB ASSY	HL-L2350DW	FOR ARL	
1	D00LD2002	1	MAIN PCB ASSY	HL-L2352DW		
1	D00LD2002	1	MAIN PCB ASSY	HL-L2357DW		
1	D00M5G002	1	MAIN PCB ASSY	HL-L2370DN	FOR GER/UK/SWI/ITA/FRA/BEL/ HOL/IBR/PND	
1	D00M56001	1	MAIN PCB ASSY	HL-L2370DN	FOR ASA	
1	D00LD4001	1	MAIN PCB ASSY	HL-L2370DW	FOR USA/CND	
1	D00LD4001	1	MAIN PCB ASSY	HL-L2370DWXL		
1	D00M5G002	1	MAIN PCB ASSY	HL-L2372DN		
1	D00LD4002	1	MAIN PCB ASSY	HL-L2375DW	FOR GER/UK/ITA/IBE/NZ/FRA/ BEL/HOL/PND	
1	D00LD4004	1	MAIN PCB ASSY	HL-L2375DW	FOR ARL	
1	D00M51001	1	MAIN PCB ASSY	HL-B2000D		
1	D00M57001	1	MAIN PCB ASSY	HL-L2375DW	FOR PHL/ASA	
1	D00M57001	1	MAIN PCB ASSY	HL-L2376DW		
1	D00HBR001	1	MAIN PCB ASSY	HL-B2080DW		
1	D00M55001	1	MAIN PCB ASSY	HL-B2050DN		
1	D00M4Y001	1	MAIN PCB ASSY	HL-L2351DW		
1	D00M53001	1	MAIN PCB ASSY	HL-L2371DN		
2	D00MNU001	1	LOW VOLTAGE POWER SUPPLY PCB ASSY	HL-B2050DN		
2	D00MA8001	1	LOW VOLTAGE POWER SUPPLY PCB ASSY	HL-B2000D	FOR VNM/IDN	
2	D00MNT001	1	LOW VOLTAGE POWER SUPPLY PCB ASSY	HL-B2000D	FOR IND	
2	D00MNT001	1	LOW VOLTAGE POWER SUPPLY PCB ASSY	HL-B2080DW	FOR IND	
2	D00MA8001	1	LOW VOLTAGE POWER SUPPLY PCB ASSY	HL-B2080DW	FOR VNM/IDN	
2	D00HCE001	1	LOW VOLTAGE POWER SUPPLY PCB ASSY	HL-B2080DW	FOR CEE	
2	D00JUZ001	1	LOW VOLTAGE POWER SUPPLY PCB ASSY	HL-L2310D	FOR GER/UK/ITA/ISR/FRA/BEL/ HOL/IBR/PND	
2	D00HCE001	1	LOW VOLTAGE POWER SUPPLY PCB ASSY	HL-L2312D		
2	D00JUZ001	1	LOW VOLTAGE POWER SUPPLY PCB ASSY	HL-L2350DW	FOR GER/UK/SWI/FRA/BEL/HOL/ IBR/PND	
2	D00S1J001	1	LOW VOLTAGE POWER SUPPLY PCB ASSY	HL-L2351DW		
2	D00HCE001	1	LOW VOLTAGE POWER SUPPLY PCB ASSY	HL-L2352DW		
2	D00HCE001	1	LOW VOLTAGE POWER SUPPLY PCB ASSY	HL-L2357DW		
2	D00HCE001	1	LOW VOLTAGE POWER SUPPLY PCB ASSY	HL-L2370DN		
2	D00HCD001	1	LOW VOLTAGE POWER SUPPLY PCB ASSY	HL-L2370DW		

9. PCB

REF NO.	CODE	Q'TY	DESCRIPTION	MODEL	SPEC	REMARKS
2	D00HCD001	1	LOW VOLTAGE POWER SUPPLY PCB ASSY	HL-L2370DWXL		
2	D00S1S001	1	LOW VOLTAGE POWER SUPPLY PCB ASSY	HL-L2371DN		
2	D00HCE001	1	LOW VOLTAGE POWER SUPPLY PCB ASSY	HL-L2372DN		
2	D00S1L001	1	LOW VOLTAGE POWER SUPPLY PCB ASSY	HL-L2375DW	FOR PHL	
2	D00MNS001	1	LOW VOLTAGE POWER SUPPLY PCB ASSY	HL-L2375DW	FOR ARL/NZ	
2	D00HCE001	1	LOW VOLTAGE POWER SUPPLY PCB ASSY	HL-L2375DW	FOR ASA/GER/UK/ITA/IBE/FRA/BEL/HOL/PND	
2	D00JUY001	1	LOW VOLTAGE POWER SUPPLY PCB ASSY	HL-L2376DW		
3	D0092T002	1	HIGH VOLTAGE POWER SUPPLY PCB	HL-B2000D		
3	D0092T002	1	HIGH VOLTAGE POWER SUPPLY PCB	HL-B2050DN		
3	D0092T002	1	HIGH VOLTAGE POWER SUPPLY PCB	HL-B2080DW		
3	D0092T001	1	HIGH VOLTAGE POWER SUPPLY PCB	HL-L2310D		
3	D0092T001	1	HIGH VOLTAGE POWER SUPPLY PCB	HL-L2312D		
3	D0092T001	1	HIGH VOLTAGE POWER SUPPLY PCB	HL-L2350DW	FOR GER/UK/ARL/SWI/FRA/BEL/HOL/IBR/PND	
3	D00HC2001	1	HIGH VOLTAGE POWER SUPPLY PCB	HL-L2350DW	FOR USA	
3	D0092T001	1	HIGH VOLTAGE POWER SUPPLY PCB	HL-L2351DW		
3	D0092T001	1	HIGH VOLTAGE POWER SUPPLY PCB	HL-L2352DW		
3	D0092T001	1	HIGH VOLTAGE POWER SUPPLY PCB	HL-L2357DW		
3	D0092T001	1	HIGH VOLTAGE POWER SUPPLY PCB	HL-L2370DN		
3	D00HC2001	1	HIGH VOLTAGE POWER SUPPLY PCB	HL-L2370DW		
3	D00HC2001	1	HIGH VOLTAGE POWER SUPPLY PCB	HL-L2370DWXL		
3	D0092T001	1	HIGH VOLTAGE POWER SUPPLY PCB	HL-L2371DN		
3	D0092T001	1	HIGH VOLTAGE POWER SUPPLY PCB	HL-L2372DN		
3	D0092T001	1	HIGH VOLTAGE POWER SUPPLY PCB	HL-L2375DW		
3	D0092T001	1	HIGH VOLTAGE POWER SUPPLY PCB	HL-L2376DW		



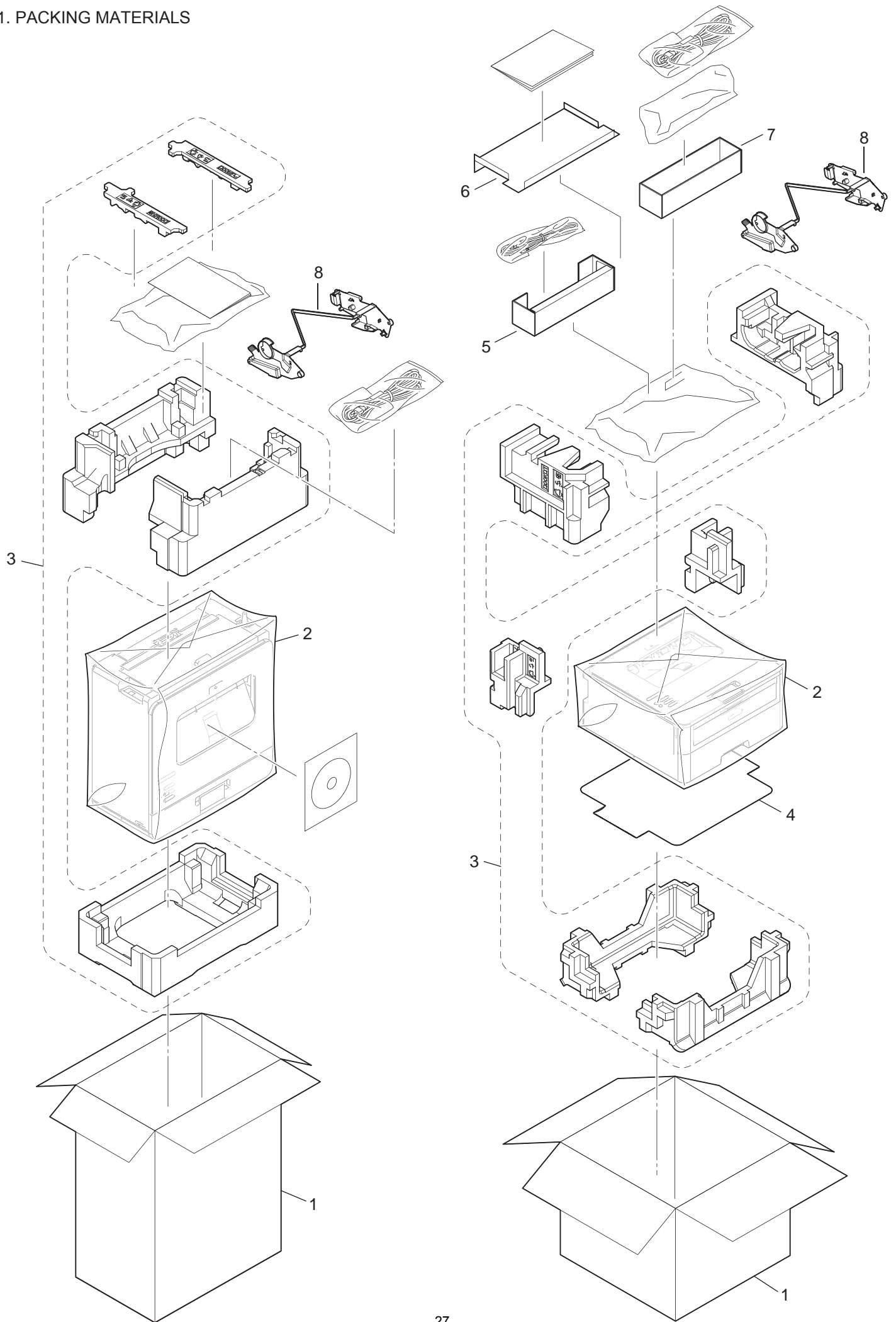
## 10. ACCESSORIES



10.ACCESSORIES

REF NO.	CODE	Q'TY	DESCRIPTION	MODEL	SPEC	REMARKS
1	D00UXB001	1	PF KIT SP			
2	LV1378001	1	AC CORD BAG ASSY LF VDE V		FOR CEE/GER/ITA/FRA/BEL/ HOL/IBR/ASA/RUS/ITA/IBE	
2	LG5717001	1	AC CORD BAG ASSY LF VDE		FOR PND	
2	LV1380001	1	AC CORD BAG ASSY LF SEV V		FOR SWI	
2	LV1379001	1	AC CORD BAG ASSY LF BS/PSB V		FOR UK/ASA	
2	LG7005001	1	AC CORD BAG ASSY LF ISRAEL	HL-L2310D	FOR ISR	
(3)	LY9733001	1	FRENCH PANEL STICKER	HL-L2370DW	FOR CAN	
(4)	LJ9803001	1	USB CABLE 2.0			

# 11. PACKING MATERIALS



11. PACKAGING MATERIALS

REF No.	CODE	Q'TY	DESCRIPTION	MODEL	SPEC	REMARKS
1	D00UZ3001	1	CARTON HL-B2000D CHN	HL-B2000D	FOR CHN	
1	D00S28001	1	CARTON HL-B2000D ASA	HL-B2000D	FOR VNM/IDN/IND	
1	D00UZC001	1	CARTON HL-B2050DN CHN	HL-B2050DN		
1	D00S2B001	1	CARTON HL-B2080DW ASA	HL-B2080DW	FOR VNM/IDN/IND	
1	D00U1T001	1	CARTON HL-B2080DW CEE-C	HL-B2080DW	FOR CEE	
1	D00RAL001	1	CARTON HL-L2310D OCE-C	HL-L2310D	FOR NZ	
1	D00R8Z001	1	CARTON HL-L2310D EUR-C	HL-L2310D	FOR GER/UK/ITA/ISR/FRA/BEL/ HOL/IBR/PND	
1	D00U1H001	1	CARTON HL-L2312D CEE-C	HL-L2312D		
1	D00PKL001	1	CARTON HL-L2350DW US	HL-L2350DW	FOR USA	
1	D00RD4001	1	CARTON HL-L2350DW ARL-C	HL-L2350DW	FOR ARL	
1	D00RFW001	1	CARTON HL-L2350DW GER-C	HL-L2350DW	FOR GER	
1	D00RD1001	1	CARTON HL-L2350DW EUR-C	HL-L2350DW	FOR UK/SWI/FRA/BEL/HOL/ IBR	
1	D00RD1001	1	CARTON HL-L2350DW EUR-C	HL-L2350DW	FOR PND	
1	D00U1L001	1	CARTON HL-L2352DW CEE-C	HL-L2352DW	FOR CEE	
1	D00S12001	1	CARTON HL-L2357DW PNOR-C	HL-L2357DW	FOR PND	
1	D00SXJ001	1	CARTON HL-L2370DN ASA-C	HL-L2370DN	FOR ASA	
1	D00R4W001	1	CARTON HL-L2370DN EUR-C	HL-L2370DN	FOR GER/UK/SWI/ITA/FRA/BEL/ HOL/IBR	
1	D00R4W001	1	CARTON HL-L2370DN EUR-C	HL-L2370DN	FOR PND	
1	D00PKM001	1	CARTON HL-L2370DW CAN-C	HL-L2370DW	FOR CAN	
1	D00C2L001	1	CARTON HL-L2370DW US-C	HL-L2370DW	FOR USA	
1	D00TTJ001	1	CARTON HL-L2370DWXL US-C	HL-L2370DWXL		
1	D00U1P001	1	CARTON HL-L2372DN CEE-C	HL-L2372DN		
1	D00RKS001	1	CARTON HL-L2375DW OCE-C	HL-L2375DW	FOR ARL/NZ	
1	D00SXM001	1	CARTON HL-L2375DW ASA-C	HL-L2375DW	FOR ASA	
1	D00RKK001	1	CARTON HL-L2375DW GER-C	HL-L2375DW	FOR GER	
1	D00RKN001	1	CARTON HL-L2375DW EUR-C	HL-L2375DW	FOR	
1	D00V0J001	1	CARTON HL-L2351DW IND-C	HL-L2351DW		
1	D00V0M001	1	CARTON HL-L2371DN RUS-C	HL-L2371DN		
1	D00V0U001	1	CARTON HL-L2375DW PHL/TWN-C	HL-L2375DW	FOR PHL	
1	D00V0R001	1	CARTON HL-L2376DW TUR-C	HL-L2376DW		
2	LY9394001	1	BAG 600X750H			
3	D00HFR001	1	POLYSTYRENE PAD ASSY	HL-B2000D		
3	D00HFR001	1	POLYSTYRENE PAD ASSY	HL-B2050DN		
3	D00HFR001	1	POLYSTYRENE PAD ASSY	HL-B2080DW		
3	D00C28001	1	POLYSTYRENE PAD ASSY	HL-L2310D		
3	D00C28001	1	POLYSTYRENE PAD ASSY	HL-L2312D		
3	D00C28001	1	POLYSTYRENE PAD ASSY	HL-L2350DW		
3	D00C28001	1	POLYSTYRENE PAD ASSY	HL-L2351DW		
3	D00C28001	1	POLYSTYRENE PAD ASSY	HL-L2352DW		
3	D00C28001	1	POLYSTYRENE PAD ASSY	HL-L2357DW		
3	D00HFR001	1	POLYSTYRENE PAD ASSY	HL-L2370DN	FOR ASA	
3	D00C28001	1	POLYSTYRENE PAD ASSY	HL-L2370DN	FOR GER/UK/SWI/ITA/FRA/BEL/ HOL/IBR/PND	
3	D00C28001	1	POLYSTYRENE PAD ASSY	HL-L2370DW		
3	D00T09001	1	POLYSTYRENE PAD ASSY	HL-L2370DWXL		
3	D00C28001	1	POLYSTYRENE PAD ASSY	HL-L2371DN		
3	D00C28001	1	POLYSTYRENE PAD ASSY	HL-L2372DN		
3	D00C28001	1	POLYSTYRENE PAD ASSY	HL-L2375DW	FOR PHL/GER/UK/ARL/ITA/IBE/ NZ/FRA/BEL/HOL/PND	
3	D00HFR001	1	POLYSTYRENE PAD ASSY	HL-L2375DW	FOR ASA	
3	D00C28001	1	POLYSTYRENE PAD ASSY	HL-L2376DW		
4	D00KDS001	1	SPACER CARTON	HL-B2000D		
4	D00KDS001	1	SPACER CARTON	HL-B2050DN		
4	D00KDS001	1	SPACER CARTON	HL-B2080DW		
4	D00KDS001	1	SPACER CARTON	HL-L2370DN	FOR ASA	
4	D00KDS001	1	SPACER CARTON	HL-L2370DWXL		
4	D00KDS001	1	SPACER CARTON	HL-L2375DW	FOR ASA	
5	D00KDR001	1	AC CORD CARTON	HL-B2000D		
5	D00KDR001	1	AC CORD CARTON	HL-B2050DN		
5	D00KDR001	1	AC CORD CARTON	HL-B2080DW		
5	D00KDR001	1	AC CORD CARTON	HL-L2370DN	FOR ASA	
5	D00T0C001	1	AC CORD CARTON	HL-L2370DWXL		
5	D00KDR001	1	AC CORD CARTON	HL-L2375DW	FOR ASA	
6	D00KDU001	1	OPTION CARTON	HL-B2000D		
6	D00KDU001	1	OPTION CARTON	HL-B2050DN		

11. PACKAGING MATERIALS

REF NO.	CODE	Q'TY	DESCRIPTION	MODEL	SPEC	REMARKS
6	D00KDU001	1	OPTION CARTON	HL-B2080DW		
6	D00KDU001	1	OPTION CARTON	HL-L2370DN	FOR ASA	
6	D00KDU001	1	OPTION CARTON	HL-L2370DWXL		
6	D00KDU001	1	OPTION CARTON	HL-L2375DW	FOR ASA	
7	D00MX8001	1	OPTION CARTON	HL-B2000D		
7	D00MX8001	1	OPTION CARTON	HL-B2050DN		
7	D00MX8001	1	OPTION CARTON	HL-B2080DW		
7	D00MX8001	1	OPTION CARTON	HL-L2370DN	FOR ASA	
7	D00MX8001	1	OPTION CARTON	HL-L2375DW	FOR ASA	
8	D00HVD001	1	PROCESS PAD ASSY			
(9)	D00UZ4001	1	CHINA ENERGY LABEL HL-B2000D	HL-B2000D		
(9)	D00UZD001	1	CHINA ENERGY LABEL HL-B2050DN	HL-B2050DN		
(10)	D00WHS001	1	CARTON LABEL HL-L2375DW TWN	HL-L2375DW	FOR TWN	