





Thank you for choosing Brother, your support is important to us and we value your business. Your Brother product is engineered and manufactured to the highest standards to deliver reliable performance, day-in and day-out.

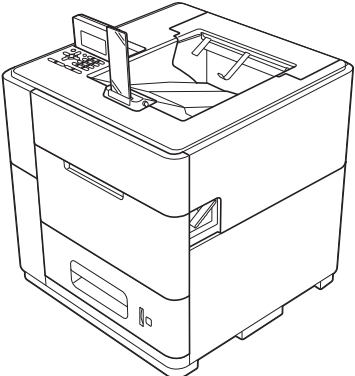
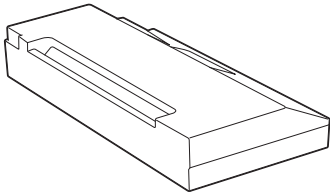
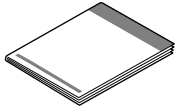

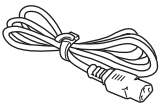
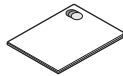
Please read the Product Safety Guide first before you set up your machine, then read this Quick Setup Guide for the correct setup and installation procedure.

To view the Quick Setup Guide in other languages, please visit <http://solutions.brother.com/>.

 <b>WARNING</b>	<b>WARNING</b> indicates a potentially hazardous situation which, if not avoided, could result in death or serious injuries.
 <b>CAUTION</b>	<b>CAUTION</b> indicates a potentially hazardous situation which, if not avoided, may result in minor or moderate injuries.
 <b>Important</b>	<b>Important</b> indicates a potentially hazardous situation which, if not avoided, may result in damage to property or loss of product functionality.
 <b>Note</b>	<b>Notes</b> tell you how you should respond to a situation that may arise or give tips about how the operation works with other features.

## **1** Unpack the machine and check the components

■ The components included in the box may differ depending on your country.

	 <b>Ink Cartridge</b> Approximate life 10,000 pages <sup>1</sup>	 <b>Quick Setup Guide</b>
 <b>Installation CD-ROM</b>	 <b>AC Power Cord</b>	 <b>Product Safety Guide</b>

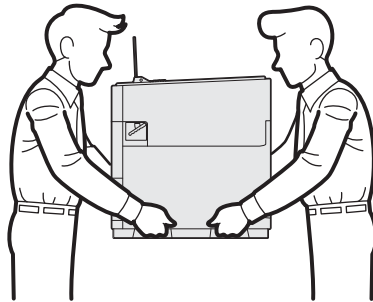
<sup>1</sup> Estimated Cartridge Yield is declared in accordance with ISO/IEC 24711 test in continuous printing methodology, using monochrome test page defined in ISO/IEC 19752.

## **!** WARNING

Plastic bags are used in the packing of your machine. Plastic bags are not toys. To avoid the danger of suffocation, keep these bags away from babies and children and dispose of them correctly.

## **!** CAUTION

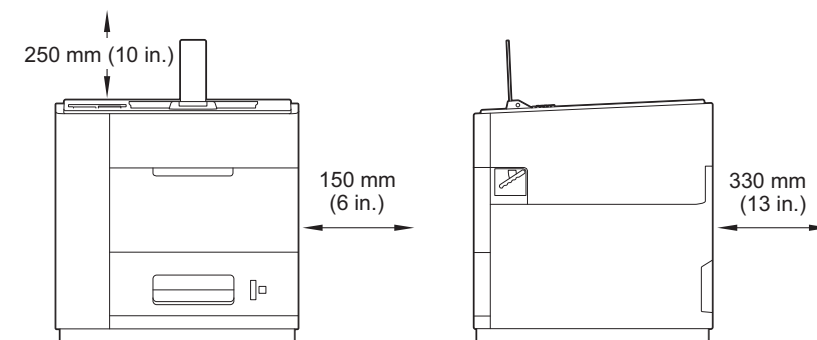
- This machine is heavy and weighs more than 88 lb. (40 kg). To prevent possible injuries at least two people should lift the machine by holding it from the front and back. Be careful with the output stopper when moving or lifting the machine.



- DO NOT carry the product with the optional lower trays, optional output tray or optional stabilizer as you may be injured or cause damage to the product because it is not attached to these options.

### Note

- Keep a minimum gap around the machine as shown in the illustration.



- We recommend that you save the original packaging in case for any reason you must ship your machine.
- The interface cable is not a standard accessory. Buy the appropriate interface cable for the interface you want to use (USB or Network).

#### **USB cable**

It is recommended to use a USB 2.0 cable (Type A/B) that is no longer than 2 meters (6 feet).

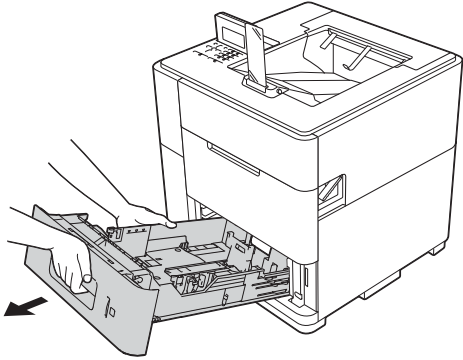
#### **Network cable**

Use a straight-through Category5 (or greater) twisted-pair cable for 10BASE-T, 100BASE-TX Fast Ethernet Network or 1000BASE-T Gigabit Ethernet Network. It is recommended to use a straight-through Category5e (or greater) twisted-pair cable and network devices complying with 1000BASE-T, when you connect the machine to a Gigabit Ethernet Network.

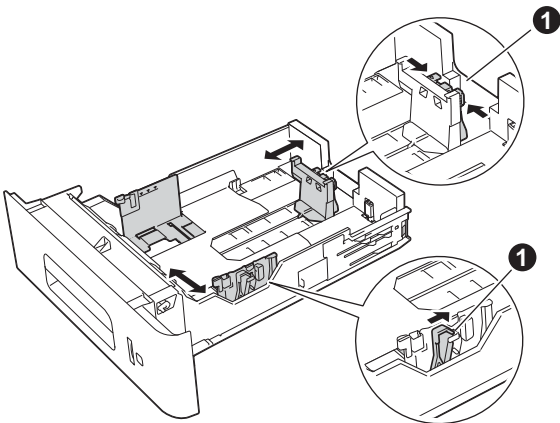
- a** Remove the protective tape and film covering the machine.
- b** Make sure you have all the components.

## 2 Load paper in the paper tray

- a** Slowly pull the paper tray out until it stops. Then slightly lift the front of the tray and pull the tray out of the machine.



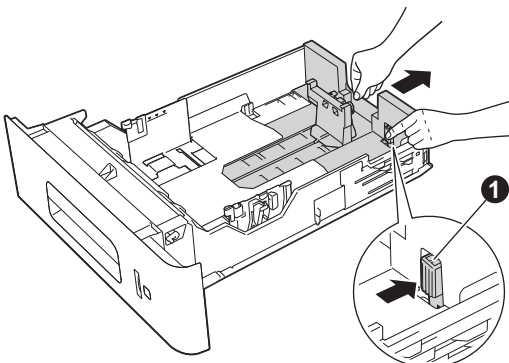
- b** While pressing the green paper-guide release lever ❶, slide the paper guides to fit the paper size you are loading in the tray. Make sure that the guides are firmly in the slots.



### Note

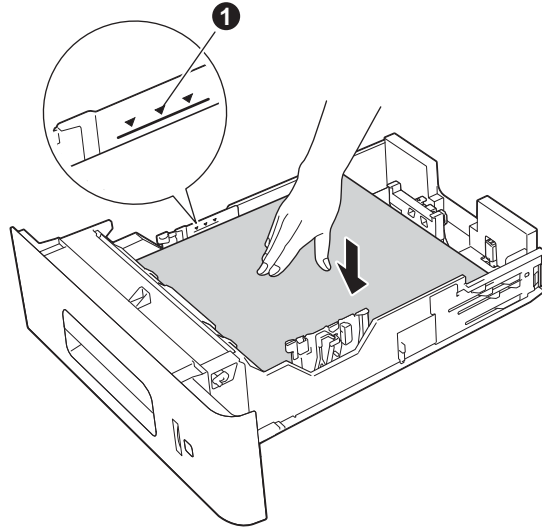
For Legal or Folio size paper, press the release button ❶ in the bottom of the paper tray and then pull out the back of the paper tray.

(Legal or Folio size paper are not available in some regions.)



- c** Fan the stack of paper well to avoid paper jams and misfeeds.

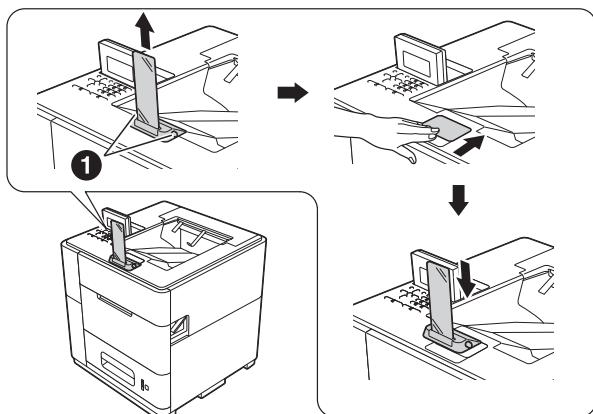
- d** Put paper in the tray and make sure:
- The paper is below the maximum paper mark (▼▼▼) ❶.
  - Over filling the paper tray will cause paper jams.
  - The side to be printed on must be face down.
  - The paper guide with the maximum paper mark (▼▼▼) ❶ touches the side of the paper so it will feed properly.



- e Put the paper tray firmly back in the machine. Make sure that it is completely inserted into the machine.

 **Note**

- For Legal or Folio size paper, you need to change the position of the output stopper. To move the stopper to the Legal position press the release buttons ❶ on the base of the stopper and remove it. Then slide the cover towards the back of the machine as shown. Put the output stopper back on the machine in the area exposed by moving the cover.



- When the output stopper is in the default position it will light according to the machine status. The light is not available when in the Legal position. For more information about the status light, see LED indications in the User's Guide.

 **Note**

For more information about recommended paper, see Recommended paper and print media in the User's Guide.

## 3 Turn on the machine

 **Important**

DO NOT connect the interface cable yet.



- a Connect the AC power cord to the machine and then connect it to an AC power outlet.

## 4 Install the ink cartridge

 **CAUTION**

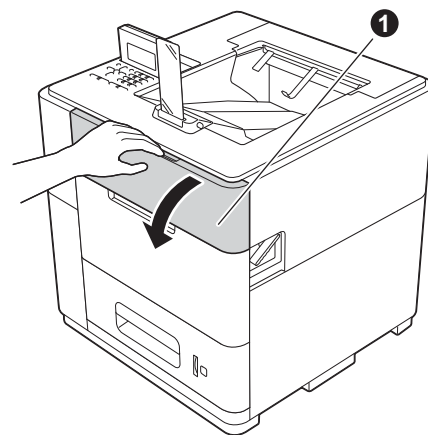
- If ink gets in your eyes, wash it out with water at once and call a doctor if you are concerned.
- If ink stains your skin or clothing, wash with soap or detergent at once.

 **Note**

Make sure you install the Ink Cartridge included with your machine first.

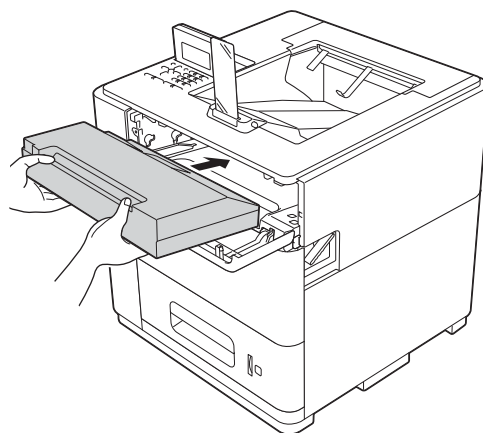
- a Make sure that the power is turned on. The LCD will show No Cartridge.

- b Open the ink cartridge cover ❶.

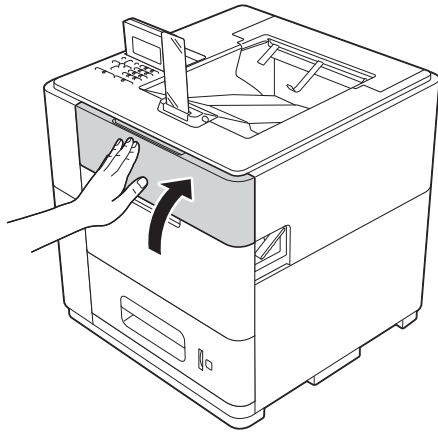


- c Unpack the ink cartridge.

- d Put the ink cartridge firmly into the machine.



- e** Close the ink cartridge cover.



 **Note**

*The machine will prepare the ink tube system for printing. This process will take approximately 15 minutes. Do not turn off the machine.*

 **Important**

- *DO NOT take out the ink cartridge if you do not need to replace it.*
- *DO NOT repeatedly insert and remove the cartridge. If you do, ink may seep out of the cartridge.*
- *Once you open an ink cartridge, install it in the machine and use it up within six months of installation. Use an unopened ink cartridge by the expiration date written on the cartridge package.*
- *DO NOT dismantle or tamper with the ink cartridge, as this can cause the ink to leak out of the cartridge.*
- *Brother strongly recommends that you DO NOT refill the ink cartridge provided with your machine. We also strongly recommend that you continue to use only Genuine Brother Brand replacement ink cartridges. Use or attempted use of third party ink and/or cartridges in the Brother machine may cause damage to the machine and/or may result in unsatisfactory print quality. In addition, use of third party ink and/or cartridges may trigger incorrect status messages, cause the printer to stop prematurely or otherwise malfunction. Our limited warranty coverage does not apply to any problem that is caused by the use of third party ink and/or cartridges. To protect your investment and obtain premium performance from the Brother machine, we strongly recommend the use of Genuine Brother Supplies.*

## 5

### Check the print quality

- a** When the preparation process has finished, the machine will print a test page.  
Check the print quality of the test page.
- b** If the printout looks clear and visible, press **1** (Yes) to finish the quality check and go to step **6**.  
If the printout has a quality problem, press **2** (No). The machine will start cleaning and print a test page again.

 **Note**

*If an error message is displayed, follow the instructions shown on the LCD.*

## 6

### Set your language

- a** Press **Menu**.
- b** Press **▲** or **▼** to choose **General Setup**.  
Press **OK**.
- c** Press **OK** to choose **Local Language**.
- d** Press **▲** or **▼** to choose your language.  
Press **OK**.

## 7 Set the date and time

Setting the date and time allows the machine to clean the print head at the appropriate time to maintain optimum print quality.

- a** Press **Menu**.
- b** Press **▲** or **▼** to choose **General Setup**. Press **OK**.
- c** Press **▲** or **▼** to choose **Date&Time**. Press **OK**.
- d** Press **▲** or **▼** to choose **Date&Time**. Press **OK**.
- e** Enter the last two digits of the year on the number pad, and then press **OK**.



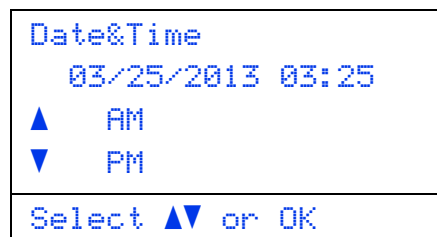
(e.g. Enter **13** for 2013.)

- f** Enter the two digits for the month on the number pad, and then press **OK**.
- g** Enter the two digits for the day on the number pad, and then press **OK**.
- h** (North and South America only)  
Press **▲** or **▼** to choose **12h Clock** or **24h Clock**, and then press **OK**.



- i** Enter the time on the number pad, and then press **OK**.

- j** (12h Clock only)  
Press **▲** or **▼** to choose **AM** or **PM**, and then press **OK**.



## 8 Set the Time Zone

You can set the time zone (not summer time but standard time) on the machine for your location. For example, the time zone for Eastern Time in the USA and Canada is UTC-05:00.

- a** Press **Menu**.
- b** Press **▲** or **▼** to choose **General Setup**. Press **OK**.
- c** Press **▲** or **▼** to choose **Date&Time**. Press **OK**.
- d** Press **▲** or **▼** to choose **Time Zone**. Press **OK**.
- e** Press **▲** or **▼** set your time zone. Press **OK**.

**Now go to**

**Next page to install the printer driver.**

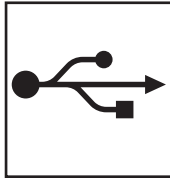
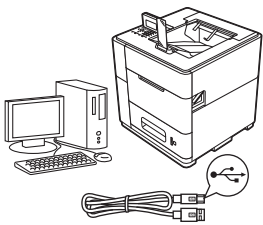
# 9

## Choose your connection type

These installation instructions are for Windows® XP Home/XP Professional/XP Professional x64 Edition, Windows Vista®, Windows® 7, Windows Server® 2003/2003 x64 Edition/2008/2008 R2 and Mac OS X (versions 10.5.8, 10.6.x and 10.7.x).

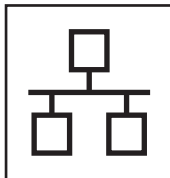
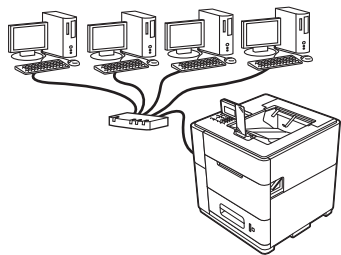
### Note

You can visit us at <http://solutions.brother.com/> where you can get product support, the latest driver updates and utilities, and answers to frequently asked questions (FAQ's) and technical questions.



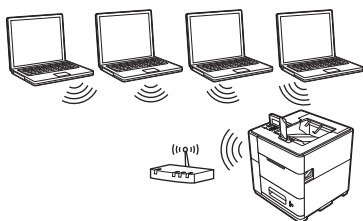
### For USB Interface Users

Windows®, go to page 8  
Macintosh, go to page 10



### For Wired Network

Windows®, go to page 11  
Macintosh, go to page 15



### For Wireless Network

Windows® and Macintosh,  
go to page 17

Windows®  
USB  
Macintosh

Windows®  
Wired Network  
Macintosh

Wireless Network



## For USB Interface Cable Users

### 10 Before you install

- a** Make sure that your computer is ON and you are logged on with Administrator rights.

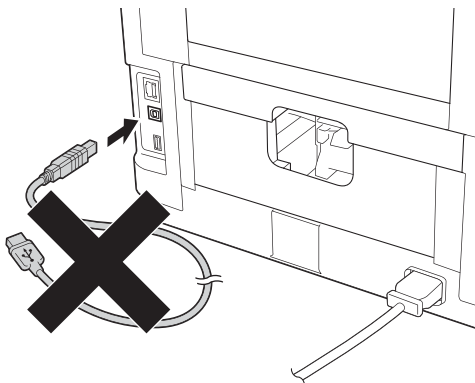
#### Important

*If there are any programs running, close them.*

#### Note

*The screens may differ depending on your operating system.*

- b** Turn off the machine and make sure the USB interface cable is **NOT** connected to the machine. If you have already connected the cable, disconnect it.



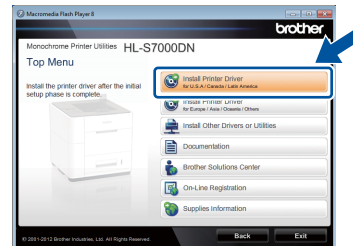
### 11 Install the printer driver

- a** Put the installation CD-ROM into your CD-ROM drive. If prompted, select your language.

#### Note

*If the Brother screen does not appear automatically, go to **Computer (My Computer)**, double-click the CD-ROM icon, and then double-click **start.exe**.*

- b** Click **Install Printer Driver**, and click **Yes** if you accept the license agreement.



#### Note

*For Windows Vista® and Windows® 7 users, when the **User Account Control** screen appears, click **Allow** or **Yes**.*

- c** Choose **Local Connection (USB)** and then click **Next**.

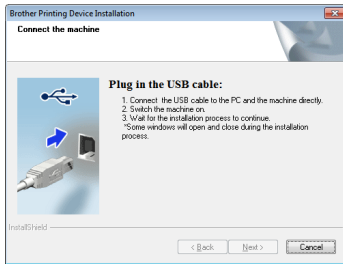
#### Note

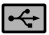
*If you want to install the PS driver (BR-Script3 printer driver), choose **Custom Install** and then follow the on-screen instructions.*

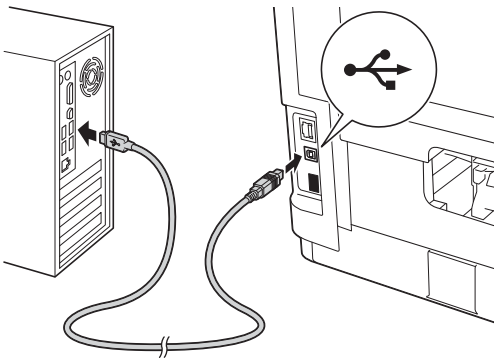




- d** Follow the on-screen instructions until this screen appears.



- e** Connect the USB cable to the USB port marked with the  symbol on your machine, and then connect the cable to your computer.



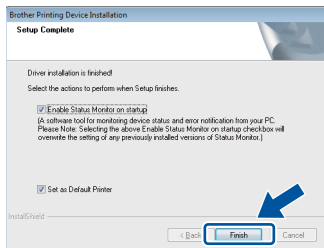
- f** Turn the machine on.  
The installation will automatically start. Follow the on-screen instructions.

### Important

*DO NOT cancel any of the screens during the installation. It may take a few seconds for all screens to appear.*

- g** When the **On-Line Registration** screen appears, follow the on-screen instructions. Once you have completed the registration process, click **Next**.

- h** When the **Setup Complete** screen appears, check the box for the action you want to perform and then click **Finish**.



### Note

*Depending on your security settings, a Windows® Security or antivirus software window may appear when using the machine or its software. Please allow or permit the window to continue.*

- i** When the **Software Update Setting** screen appears, choose the software update setting you want and click **OK**.

## Finish

### The installation is now complete.

### Note

#### XML Paper Specification Printer Driver

*The XML Paper Specification Printer Driver is the most suitable driver for Windows Vista® and Windows® 7 when printing from the applications that use the XML Paper Specification documents. Please download the latest driver by accessing the Brother Solutions Center at <http://solutions.brother.com/>.*




## For USB Interface Cable Users

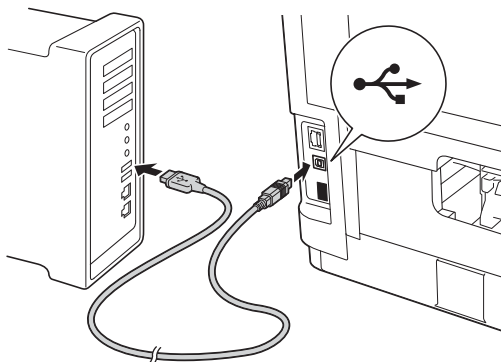
### 10 Before you install

- a** Make sure your machine is connected to the power and your Macintosh is ON. You must be logged on with Administrator rights.

#### Note

- For users of Mac OS X 10.5.7 or lower, upgrade to Mac OS X 10.5.8 - 10.7.x. (For the latest drivers and information for the Mac OS X you are using, visit <http://solutions.brother.com/>.)
- If you want to add the PS driver (BR-Script3 printer driver), please go to the Brother Solutions Center at <http://solutions.brother.com/> and visit FAQ's on your model page for instructions.

- b** Connect the USB cable to the USB port marked with the  symbol on your machine, and then connect the cable to your Macintosh.



- c** Make sure your machine's power switch is on.

### 11 Install the printer driver

- a** Put the installation CD-ROM into your CD-ROM drive.
- b** Double-click the **Start Here OSX** icon.

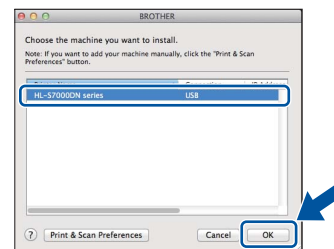


- c** Choose **Local Connection (USB)** and then click **Next**. Follow the on-screen instructions.

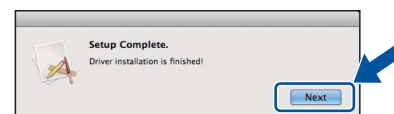
#### Note

*It may take a few minutes for the installation to complete.*

- d** Choose your machine from the list, and then click **OK**.



- e** When this screen appears, click **Next**.

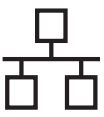


#### Note

*When the **Brother Support** screen appears, follow the on-screen instructions.*

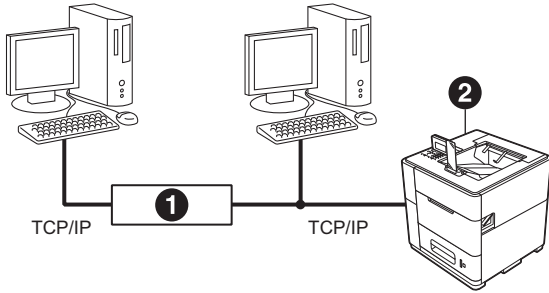
## Finish

The installation is now complete.



## For Wired Network Interface Cable Users (For Peer-to-Peer network users)

### 10 Before you install



- 1 Router
- 2 Machine

#### Note

If you are going to connect the machine to your network, we recommend that you contact your system administrator prior to installation.


- a Make sure that your computer is ON and you are logged on with Administrator rights.

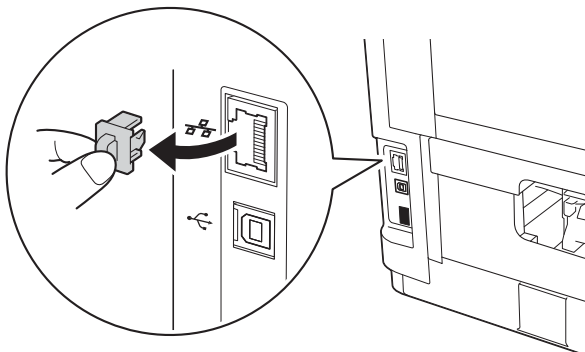
#### Important

If there are any programs running, close them.

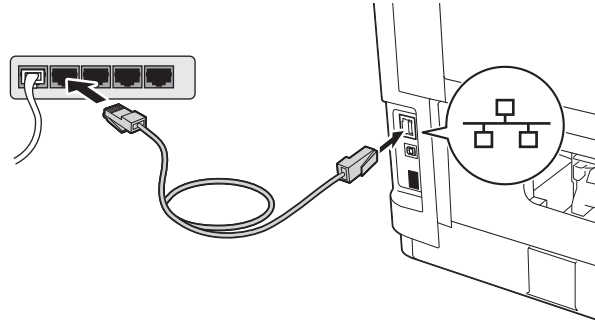
#### Note

The screens may differ depending on your operating system.

- b Remove the protective cap from the Ethernet port marked with a  symbol.



- c Connect the network interface cable to the Ethernet port, and then connect it to a free port on your hub.



- d Make sure your machine's power switch is on.

### 11 Install the printer driver

- a Put the installation CD-ROM into your CD-ROM drive. If prompted, select your language.

#### Note

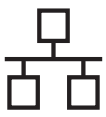
If the Brother screen does not appear automatically, go to **Computer (My Computer)**, double-click the CD-ROM icon, and then double-click **start.exe**.

- b Click **Install Printer Driver**, and click **Yes** if you accept the license agreement.



#### Note

For Windows Vista® and Windows® 7 users, when the **User Account Control** screen appears, click **Allow** or **Yes**.



- c** Choose **Wired Network Connection (Ethernet)** and then click **Next**.

 **Note**

*If you want to install the PS driver (BR-Script3 printer driver), choose **Custom Install** and then follow the on-screen instructions.*

- d** Choose **Brother Peer-to-Peer Network Printer** and then click **Next**.

 **Note**

*Choose the option of the Firewall setting, and then click **Next**.*

- e** The installation will automatically start. Follow the on-screen instructions.

 **Important**

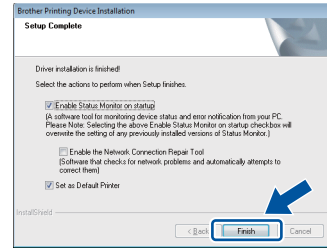
*DO NOT cancel any of the screens during the installation. It may take a few seconds for all screens to appear.*

 **Note**

- *If prompted, choose your machine from the list, and then click **Next**.*
- *If there is more than one of the same model connected on your network, the IP Address and Node Name will be displayed to help you identify the machine.*
- *You can find your machine's IP Address and the node name by printing out the Printer Settings Page. See Print the Printer Settings Page on page 32.*

- f** When the **On-Line Registration** screen appears, follow the on-screen instructions. Once you have completed the registration process, click **Next**.

- g** When the **Setup Complete** screen appears, check the box for the action you want to perform and then click **Finish**.



 **Note**

*Depending on your security settings, a Windows® Security or antivirus software window may appear when using the machine or its software. Please allow or permit the window to continue.*

- h** When the **Software Update Setting** screen appears, choose the software update setting you want and click **OK**.

**Finish**

**The installation is now complete.**

 **Note**

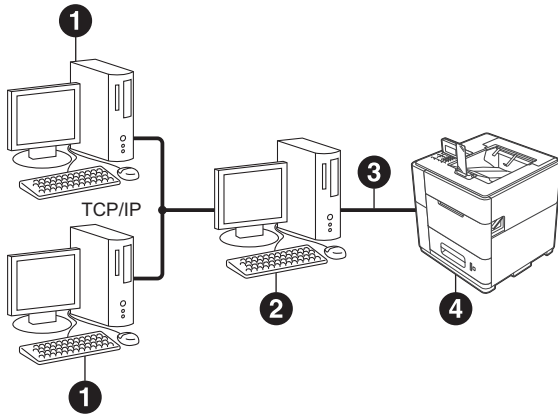
**XML Paper Specification Printer Driver**

*The XML Paper Specification Printer Driver is the most suitable driver for Windows Vista® and Windows® 7 when printing from the applications that use the XML Paper Specification documents. Please download the latest driver by accessing the Brother Solutions Center at <http://solutions.brother.com/>.*



## For Wired Network Interface Cable Users (For shared network users)

### 10 Before you install



- 1 Client computer
- 2 Computer known as "Server" or "Print server"
- 3 TCP/IP or USB
- 4 Machine

#### Note

If you are going to connect the machine to your network, we recommend that you contact your system administrator prior to installation.

- a Make sure that your computer is ON and you are logged on with Administrator rights.

#### Important

If there are any programs running, close them.

#### Note

The screens may differ depending on your operating system.

- b Make sure your machine's power switch is on.

### 11 Install the printer driver

- a Put the installation CD-ROM into your CD-ROM drive. If prompted, select your language.

#### Note

If the Brother screen does not appear automatically, go to **Computer (My Computer)**, double-click the CD-ROM icon, and then double-click **start.exe**.

- b Click **Install Printer Driver**, and click **Yes** if you accept the license agreement.



#### Note

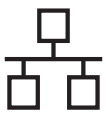
For Windows Vista® and Windows® 7 users, when the **User Account Control** screen appears, click **Allow** or **Yes**.

- c Choose **Wired Network Connection (Ethernet)** and then click **Next**.

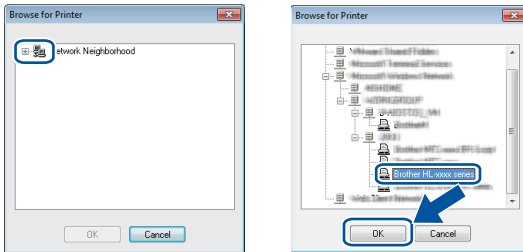
#### Note

If you want to install the PS driver (BR-Script3 printer driver), choose **Custom Install** and then follow the on-screen instructions.

- d Choose **Network Shared Printer** and then click **Next**.



- e** Choose your machine's queue, and then click **OK**.



## Note

Contact your administrator if you do not know the location or the name of the machine queue on the network.

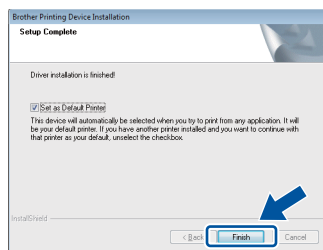
- f** The installation will automatically start. Follow the on-screen instructions.

## Important

**DO NOT** cancel any of the screens during the installation. It may take a few seconds for all screens to appear.

- g** When the **On-Line Registration** screen appears, follow the on-screen instructions. Once you have completed the registration process, click **Next**.

- h** When the **Setup Complete** screen appears, check the box for the action you want to perform and then click **Finish**.



## Note

Depending on your security settings, a Windows® Security or antivirus software window may appear when using the machine or its software. Please allow or permit the window to continue.

## Note

### XML Paper Specification Printer Driver

The XML Paper Specification Printer Driver is the most suitable driver for Windows Vista® and Windows® 7 when printing from the applications that use the XML Paper Specification documents. Please download the latest driver by accessing the Brother Solutions Center at <http://solutions.brother.com/>.

# Finish

The installation is now complete.




## For Wired Network Interface Cable Users

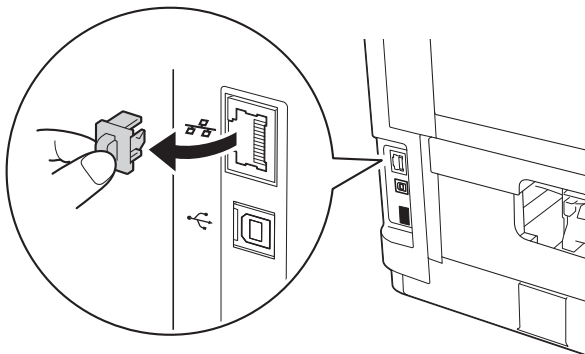
### 10 Before you install

- a** Make sure your machine is connected to the power and your Macintosh is ON. You must be logged on with Administrator rights.

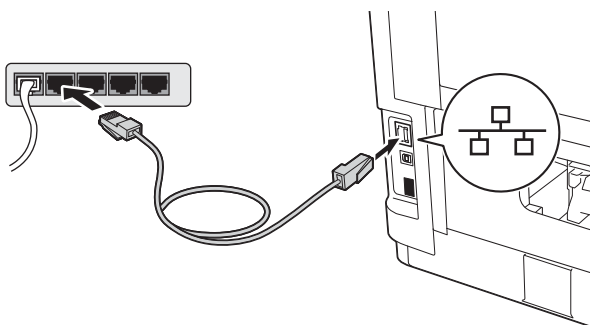
#### Note

- For users of Mac OS X 10.5.7 or lower, upgrade to Mac OS X 10.5.8 - 10.7.x. (For the latest drivers and information for the Mac OS X you are using, visit <http://solutions.brother.com/>.)
- If you want to add the PS driver (BR-Script3 printer driver), please go to the Brother Solutions Center at <http://solutions.brother.com/> and visit FAQ's on your model page for instructions.

- b** Remove the protective cap from the Ethernet port marked with a  symbol.



- c** Connect the network interface cable to the Ethernet port, and then connect it to a free port on your hub.



- d** Make sure your machine's power switch is on.

### 11 Install the printer driver

- a** Put the installation CD-ROM into your CD-ROM drive.
- b** Double-click the **Start Here OSX** icon.

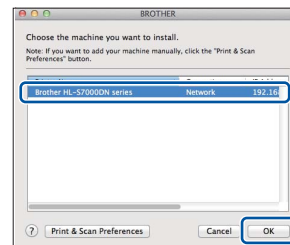


- c** Choose **Wired Network Connection (Ethernet)** and then click **Next**. Follow the on-screen instructions.

#### Note

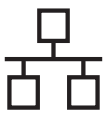
*It may take a few minutes for the installation to complete.*

- d** Choose your machine from the list, and then click **OK**.

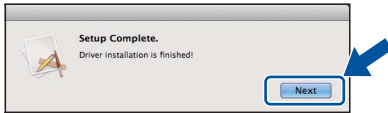


#### Note

- If there is more than one of the same model connected on your network, the MAC Address (Ethernet Address) will be displayed after the model name.
- You can find your machine's MAC Address (Ethernet Address) and IP Address by printing out the Printer Settings Page. See Print the Printer Settings Page on page 32.



**e** When this screen appears, click **Next**.



 **Note**

When the **Brother Support** screen appears, follow the on-screen instructions.

**Finish**

The installation is now complete.





## For Wireless Network Interface Users

### 10 Before you begin

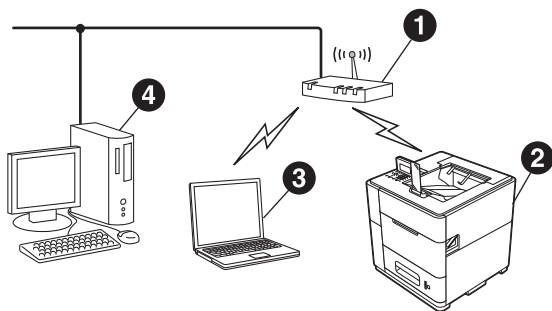
First you must configure the wireless network settings of your machine to communicate with your network access point/router. After the machine is configured to communicate with your access point/router, computers on your network will have access to the machine. To use the machine from a computer, you will need to install the printer driver. The following steps will guide you through the configuration and installation process.

#### Note

- If you are going to connect the machine to your network, we recommend that you contact your system administrator prior to installation. You must know your wireless network settings before you proceed with this installation.
- If you have previously configured the wireless settings of the machine, you must reset the network (LAN) settings before you can configure the wireless settings again.
  - 1 On your machine, press **Menu**. Press **▲** or **▼** to choose *Network*, and press **OK**.
  - 2 Press **▲** or **▼** to choose *Network Reset*, and press **OK**.
  - 3 Press **1**. When *Reboot OK?* appears, press **1** to choose *Yes* for reboot.
- To achieve optimum results with normal everyday document printing, place the Brother machine as close to the network access point/router as possible with minimal obstructions. Large objects and walls between the two devices as well as interference from other electronic devices can affect the data transfer speed of your documents.

Due to these factors, wireless may not be the best method of connection for all types of documents and applications. If you are printing large files, such as multi-page documents with mixed text and large graphics, you may want to consider choosing wired Ethernet for a faster data transfer or USB for the fastest throughput speed.
- Although the Brother HL-S7000DN can be used in both a wired and wireless network, only one of the connection methods can be used at a time.
- If you use your machine in an IEEE 802.1x supported wireless network, see Using IEEE 802.1x authentication in the Network User's Guide.

#### Infrastructure Mode



- 1 Access point/router
- 2 Wireless Network machine (your machine)
- 3 Wireless capable computer connected to the access point/router
- 4 Wired computer connected to the access point/router



## 11

### Choose your wireless setup method

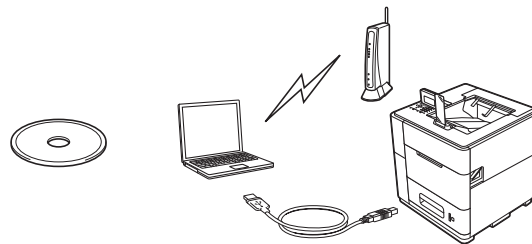
The following instructions will offer three methods for setting up your Brother machine on a wireless network. Choose the method you prefer for your environment.

#### Note

To setup your machine in any other wireless environment, you can find instructions in the Network User's Guide.

#### a Setup using the Installation CD-ROM and temporarily using a USB cable (Windows® only)

- You need to temporarily use a USB cable during configuration (cable not included).



It is recommended that you use a PC wirelessly connected to your network for this method.

- If you are using Windows® XP, or using a network cable to connect your computer with your wireless access point/router, you need to know the SSID and Network Key of your WLAN access point/router before you proceed. Please write down your wireless network settings in the area below.
- Please do not contact Brother Customer Service for assistance without the wireless security information. We cannot assist you in locating your network security settings.

Item	Record the current wireless network settings
SSID (Network Name)	
Network Key (Security Key/Encryption Key)	

\* The Network Key may also be described as the Password, Security Key or Encryption Key.

#### Note

- If you do not know this information (SSID and Network Key), you cannot continue the wireless setup.
- How can I find this information (SSID and Network Key)?
  - You should see the documentation provided with your WLAN access point/router.
  - The initial network name could be the manufacturer's name or the model name.
  - If you do not know the security information, please consult the router manufacturer, your system administrator, or internet provider.

Now go to

page 20



## **b** Manual setup from the control panel using the Setup Wizard (Windows® and Macintosh)

If your WLAN access point/router does not support WPS (Wi-Fi Protected Setup™) or AOSS™, **write down the wireless network settings** of your WLAN access point/router in the area below.

**Please do not contact Brother Customer Service for assistance without the wireless security information. We cannot assist you in locating your network security settings.**

Item	Record the current wireless network settings
SSID (Network Name)	
Network Key (Security Key/Encryption Key)	

\* The Network Key may also be described as the Password, Security Key or Encryption Key.

### **Note**

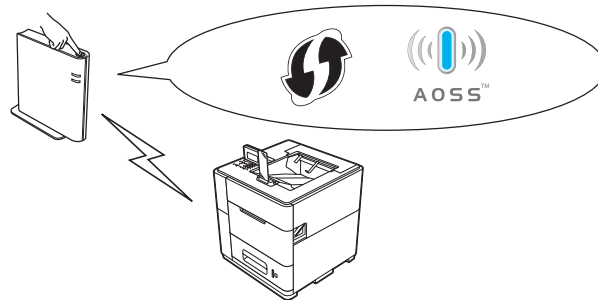
- If you do not know this information (SSID and Network Key), you cannot continue the wireless setup.
- How can I find this information (SSID and Network Key)?
  - 1 You should see the documentation provided with your WLAN access point/router.
  - 2 The initial network name could be the manufacturer's name or the model name.
  - 3 If you do not know the security information, please consult the router manufacturer, your system administrator, or internet provider.

**Now go to**

**page 22**

## **c** One-push setup using WPS (Wi-Fi Protected Setup) or AOSS™ (Windows® and Macintosh)

If your WLAN access point/router supports automatic wireless (one-push) setup (WPS or AOSS™)



**Now go to**

**page 24**



## Setup using the Installation CD-ROM and temporarily using a USB cable (Windows® only)

### 12 Setup the wireless settings

- You need to temporarily use a USB cable during configuration (cable not included).
- If you are using Windows® XP, or using a network cable to connect your computer with your wireless access point/router, you need to know the SSID and Network Key of your WLAN access point/router you wrote down in step 11-a on page 18 before you proceed.
- If you use your machine in an IEEE 802.1x supported wireless network, see *Using IEEE 802.1x authentication in the Network User's Guide*.

**a** Put the installation CD-ROM into your CD-ROM drive. If prompted, select your language.

#### Note

If the Brother screen does not appear automatically, go to **Computer (My Computer)**, double-click the CD-ROM icon, and then double-click **start.exe**.

**b** Click **Install Printer Driver** and then click **Yes** if you accept the license agreement.



#### Note

For Windows Vista® and Windows® 7 users, when the **User Account Control** screen appears, click **Allow** or **Yes**.

**c** Choose **Wireless Network Connection** and then click **Next**.

#### Note

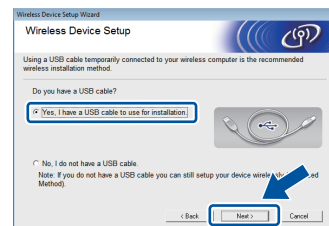
If you want to install the PS driver (BR-Script3 printer driver), choose **Custom Install** and then follow the on-screen instructions.

**d** Choose **Brother Peer-to-Peer Network Printer** or **Network Shared Printer**, and then click **Next**.

#### Note

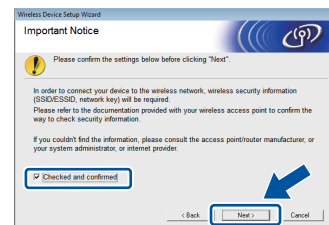
- If you choose **Network Shared Printer**, choose your machine's queue, and then click **OK**.
- Choose the option of the Firewall setting, and then click **Next**.

**e** Choose **Yes, I have a USB cable to use for installation**, and then click **Next**.



#### Note

If the **Important Notice** screen appears, read the notice. Check the box after you confirm the SSID and Network Key, and then click **Next**.





# For Wireless Network Users

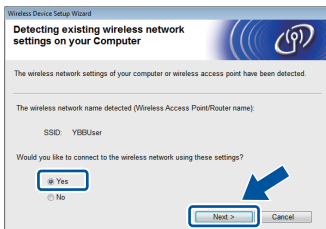
**f** Temporarily connect the USB cable (not included) directly to the computer and the machine.



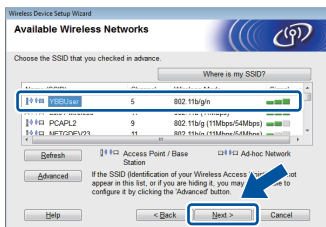
**g** Do one of the following:

- If the **Installation confirmation** screen appears, check the box and click **Next**, go to **h**.
- Otherwise, go to **i**.

**h** Check **Yes** if you want to connect with the listed SSID. Click **Next** and go to **k**.



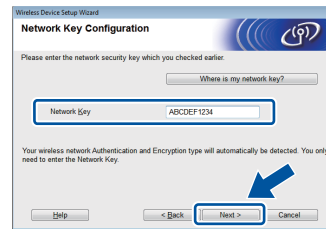
**i** The wizard will search for wireless networks available from your machine. Choose the SSID that you wrote down for your network in step **11-a** on page 18, and then click **Next**.



## Note

- If the list is blank, check that the access point has power and is broadcasting the SSID, and then see if the machine and the access point are within range for wireless communication. Then, click **Refresh**.
- If your access point is set to not broadcast the SSID you can manually add it by clicking the **Advanced** button. Follow the on-screen instructions for entering the **Name (SSID)**, and then click **Next**.

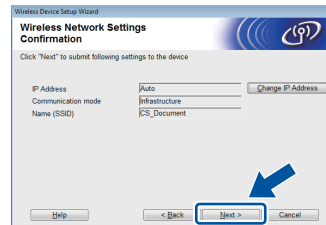
**j** Enter the **Network Key** you wrote down in step **11-a** on page 18, and then click **Next**.



## Note

*If your network is not configured for Authentication and Encryption, the **ATTENTION!** screen will appear. To continue configuration, click **OK**.*

**k** Confirm the wireless network settings and then click **Next**. The settings will be sent to your machine.



## Note

- The settings will remain unchanged if you click **Cancel**.
- If you want to manually enter the IP address settings of your machine, click **Change IP Address** and enter the necessary IP address settings for your network.
- If the wireless setup failure screen appears, click **Retry**.

Disconnect the USB cable between the computer and the machine and then click **Next**.



**Wireless setup is now complete. A four level indicator at the top right of your machine's LCD will show the wireless signal strength of your access point/router.**

To install the printer driver, continue to step **14**.

Now go to

step **e** on page 29



## Manual setup from the control panel using the Setup Wizard (Windows® and Macintosh)

### 12 Setup the wireless settings

- You must have the wireless settings you wrote down for your network in step **11-b** on page 19 before you proceed.
- If you use your machine in an IEEE 802.1x supported wireless network, see *Using IEEE 802.1x authentication* in the *Network User's Guide*.

- a** On your machine, press **Menu**. Press **▲** or **▼** to choose **Network** and press **OK**.  
Press **▲** or **▼** to choose **WLAN** and press **OK**.
- b** Press **▲** or **▼** to choose **Setup Wizard** and press **OK**.  
When **WLAN Enable?** is displayed, press **▲** or **▼** to choose **On** and then press **OK**. This will start the wireless setup wizard.  
Otherwise press **Cancel** to exit from the wireless setup wizard.
- c** The machine will search for available SSIDs. It will take several seconds to display a list of available SSIDs.  
If a list of SSIDs is displayed, use the **▲** or **▼** key to choose the SSID you wrote down in step **11-b** on page 19, then press **OK**.
- d** Do one of the following:
- If the WLAN access point/router of the selected SSID supports WPS and **Selected access point supports WPS. Use WPS?** appears, go to **e**.
  - If you are using an authentication and encryption method that requires a Network Key, go to **f**.
  - If your authentication method is Open System and your encryption mode is None, go to **g**.

#### Note

- If a list of SSIDs is not displayed, make sure your access point is on. Move your machine closer to the access point and try starting from **a** again.
- If your access point is set to not broadcast the SSID you will have to manually add the SSID name. For details, see *Configuring your machine when the SSID is not broadcast in the Network User's Guide*.

- e** To connect your machine using the automatic wireless mode, press **1** to choose **Yes**. (If you choose **No (Manual)**, go to **f** to enter the Network Key.) When **Start WPS on your wireless access point/router**, then choose **Next**. **appears**, press the WPS button on your WLAN access point/router, and then press **1**. Go to **g**.

- f** Enter the Network Key you wrote down in step **11-b** on page 19. To delete the characters you have entered, press **Clear**.

For example, to enter the letter **a**, press the **2** key on the number pad once. To enter the number **3**, press the **3** key on the number pad seven times.

The letters appear in this order: lower case, upper case and then numbers.

For more information, see *Entering Text for Wireless Settings* on page 28.

Press **OK** when you have entered all the characters, then press **OK** for **Yes** to apply your settings.

- g** Your machine will now try to connect to your wireless network using the information you have entered.

A connection result message appears on the LCD and a WLAN report will automatically be printed.

If the connection failed, check the error code on the printed report and refer to *Troubleshooting* on page 25.



OK!

Wireless setup is now complete. A four level indicator at the top right of your machine's LCD will show the wireless signal strength of your access point/router.

To install the printer driver, continue to step **13**.

For Windows® Users:

Now go to

page 29

For Macintosh Users:

Now go to

page 31



## One-push setup using WPS (Wi-Fi Protected Setup) or AOSS™ (Windows® and Macintosh)

### 12 Configure the wireless settings

- a** Confirm your WLAN access point/router has the WPS or AOSS™ symbol as shown below.



- b** Place the Brother machine within range of your WPS or AOSS™ access point/router. The range may differ depending on your environment. Refer to the instructions provided with your access point/router.

- c** On your machine, press **Menu**. Press **▲** or **▼** to choose **Network** and press **OK**.

Press **▲** or **▼** to choose **WLAN** and press **OK**.

- d** Press **▲** or **▼** to choose **WPS/AOSS** and press **OK**.

When **WLAN Enable?** is displayed, press **▲** or **▼** to choose **On** and then press **OK**. This will start the wireless setup wizard.

Otherwise press **Cancel** to exit from the wireless setup wizard.

- e** When **Start WPS/AOSS** on your wireless access point/router appears, press the WPS or AOSS™ button on your WLAN access point/router. See the user's guide for your WLAN access point/router for instructions. And then press **OK**.



This feature will automatically detect which mode (WPS or AOSS™) your access point/router uses to configure your machine.

#### Note

If your WLAN access point/router supports WPS (PIN Method) and you want to configure your machine using the PIN (Personal Identification Number) Method, see Configuration using the PIN Method of WPS (Wi-Fi Protected Setup) in the Network User's Guide.

- f** A connection result message appears on the LCD and a WLAN report will automatically be printed.  
If the connection failed, check the error code on the printed report and refer to *Troubleshooting* on page 25.

**OK!** Wireless setup is now complete. A four level indicator at the top right of your machine's LCD will show the wireless signal strength of your access point/router.

To install the printer driver, continue to **step 13**.

**For Windows® Users:**

**Now go to**

**page 29**

**For Macintosh Users:**

**Now go to**

**page 31**





## Troubleshooting

Please do not contact Brother Customer Service for assistance without the wireless security information. We cannot assist you in locating your network security settings.

### How can I find the wireless settings (Network Name (SSID) and Network Key)

- 1) You should see the documentation provided with your WLAN access point/router.
- 2) The initial network name could be the manufacturer's name or the model name.
- 3) If you do not know the security information, please consult the router manufacturer, your system administrator or internet provider.

- \* The Network Key may also be described as the Password, Security Key or Encryption Key.
- \* If the WLAN access point/router is set to not broadcast the SSID, the SSID will not automatically be detected. You will have to manually enter the SSID name. See *Configuring your machine when the SSID is not broadcast* in the *Network User's Guide*.

### WLAN report


If the WLAN report that printed shows that the connection failed, check the error code on the printed report and refer to the following instructions.

Error code	Recommended Solutions
TS-01	<p>The wireless setting is not activated, turn the wireless setting to ON.</p> <ul style="list-style-type: none"> <li>- If a LAN cable is connected to your machine, disconnect it and turn the wireless setting of your machine to ON.</li> </ul> <ol style="list-style-type: none"> <li>1. On your machine, press <b>Menu</b>. Press <b>▲</b> or <b>▼</b> to choose <i>Network</i> and press <b>OK</b>.</li> <li>2. Press <b>▲</b> or <b>▼</b> to choose <i>WLAN</i> and press <b>OK</b>.</li> <li>3. Press <b>▲</b> or <b>▼</b> to choose <i>Setup Wizard</i> and press <b>OK</b>.</li> <li>4. When <i>WLAN Enable?</i> is displayed, press <b>▲</b> or <b>▼</b> to choose <i>On</i> and then press <b>OK</b>. This will start the wireless setup wizard.</li> </ol>
TS-02	<p>The WLAN access point/router cannot be detected.</p> <ol style="list-style-type: none"> <li>1. Check the following 4 points. <ul style="list-style-type: none"> <li>- Make sure that the WLAN access point/router is powered on.</li> <li>- Move your machine to an obstruction-free area, or closer to the WLAN access point/router.</li> <li>- Temporarily place your machine within about one meter (3.3 feet) from the WLAN access point when you are configuring the wireless settings.</li> <li>- If your WLAN access point/router is using MAC address filtering, confirm the MAC address of the Brother machine is allowed in the filter. See <i>Print the Printer Settings Page</i> on page 32.</li> </ul> </li> <li>2. If you manually entered the SSID and security information (SSID/authentication method/encryption method/Network Key) the information may be incorrect. Reconfirm the SSID and security information and reenter the correct information as necessary. See <i>How can I find the wireless settings (Network Name (SSID) and Network Key)</i> on page 25 to confirm.</li> </ol>



Error code	Recommended Solutions												
TS-03	<p>The wireless network and security setting you entered may be incorrect. Reconfirm the wireless network settings.</p> <p>* Check if the entered or selected SSID/authentication method/encryption method/UserID/Userpass are correct.</p> <p>See <i>How can I find the wireless settings (Network Name (SSID) and Network Key)</i> on page 25 to confirm.</p>												
TS-04	<p>The Authentication/Encryption methods used by the selected WLAN access point/router are not supported by your machine.</p> <p>For infrastructure mode, change the authentication and encryption methods of the WLAN access point/router. Your machine supports the following authentication methods WPA, WPA2, OPEN and Shared key. WPA supports TKIP or AES encryption methods. WPA2 supports AES for the encryption method. OPEN and Shared key correspond to WEP encryption.</p> <p>If your problem is not solved the SSID or network settings you entered may be incorrect. Reconfirm the wireless network settings.</p> <p>Combined table of authentication and encryption methods</p> <table border="1" data-bbox="416 952 1177 1216"> <thead> <tr> <th data-bbox="416 952 794 987">Authentication method</th> <th data-bbox="794 952 1177 987">Encryption method</th> </tr> </thead> <tbody> <tr> <td data-bbox="416 987 794 1064" rowspan="2">WPA-Personal</td> <td data-bbox="794 987 1177 1023">TKIP</td> </tr> <tr> <td data-bbox="794 1023 1177 1064">AES</td> </tr> <tr> <td data-bbox="416 1064 794 1099">WPA2-Personal</td> <td data-bbox="794 1064 1177 1099">AES</td> </tr> <tr> <td data-bbox="416 1099 794 1176" rowspan="2">OPEN</td> <td data-bbox="794 1099 1177 1135">WEP</td> </tr> <tr> <td data-bbox="794 1135 1177 1176">NONE (without encryption)</td> </tr> <tr> <td data-bbox="416 1176 794 1216">Shared key</td> <td data-bbox="794 1176 1177 1216">WEP</td> </tr> </tbody> </table> <p>See <i>How can I find the wireless settings (Network Name (SSID) and Network Key)</i> on page 25 to confirm.</p> <p>For ad-hoc mode, change the authentication and encryption methods of your computer for the wireless setting. Your machine supports OPEN authentication method only, with optional WEP encryption.</p>	Authentication method	Encryption method	WPA-Personal	TKIP	AES	WPA2-Personal	AES	OPEN	WEP	NONE (without encryption)	Shared key	WEP
Authentication method	Encryption method												
WPA-Personal	TKIP												
	AES												
WPA2-Personal	AES												
OPEN	WEP												
	NONE (without encryption)												
Shared key	WEP												
TS-05	<p>The security information (SSID/Network Key) is incorrect. Reconfirm the SSID and security information (Network Key). If your router uses WEP encryption, enter the key used as the first WEP key. Your Brother machine supports the use of the first WEP key only.</p> <p>See <i>How can I find the wireless settings (Network Name (SSID) and Network Key)</i> on page 25 to confirm.</p>												
TS-06	<p>The wireless security information (Authentication method/Encryption method/Network Key) is incorrect. Reconfirm the wireless security information (Authentication method/Encryption method/Network Key) in the table of TS-04. If your router uses WEP encryption, enter the key used as the first WEP key. Your Brother machine supports the use of the first WEP key only.</p> <p>See <i>How can I find the wireless settings (Network Name (SSID) and Network Key)</i> on page 25 to confirm.</p>												



Error code	Recommended Solutions
TS-07	<p>The machine cannot detect a WLAN access point/router that has WPS or AOSS™ enabled.</p> <p>If you would like to configure your wireless settings using WPS or AOSS™, you must operate both your machine and the WLAN access point/router. Confirm your WLAN access point/router supports WPS or AOSS™ and try starting again.</p>  <p>If you do not know how to operate your WLAN access point/router using WPS or AOSS™, see the documentation provided with your WLAN access point/router, ask the manufacturer of your WLAN access point/router or ask your network administrator.</p>
TS-08	<p>Two or more WLAN access points that have WPS or AOSS™ enabled are detected.</p> <ul style="list-style-type: none"><li>- Confirm that only one WLAN access point/router within range has the WPS or AOSS™ method active and try again.</li><li>- Try starting again after a few minutes in order to avoid interference from other access points.</li></ul>



## Entering Text for Wireless Settings

Most number keys have three or four letters printed on them. The keys for **0**, **#** and **\*** do not have printed letters because they are used for special characters.

By pressing the proper number key repeatedly, you can access the character you want.

### For configuring wireless network settings

Press Key	One time	Two times	Three times	Four times	Five times	Six times	Seven times	Eight times	Nine times
<b>2</b>	a	b	c	A	B	C	2	a	b
<b>3</b>	d	e	f	D	E	F	3	d	e
<b>4</b>	g	h	i	G	H	I	4	g	h
<b>5</b>	j	k	l	J	K	L	5	j	k
<b>6</b>	m	n	o	M	N	O	6	m	n
<b>7</b>	p	q	r	s	P	Q	R	S	7
<b>8</b>	t	u	v	T	U	V	8	t	u
<b>9</b>	w	x	y	z	W	X	Y	Z	9

### Putting spaces

To enter a space in a name, press ► twice between characters.

### Making corrections

If you entered a character incorrectly and want to change it, press ◀ or ▶ to move the cursor under the incorrect character, and then press **Clear**. Enter the correct character. You can also insert characters by moving the cursor and entering a character. If the cursor is after the last character, press **Clear** to delete the character to the left.

### Repeating letters

To enter another character using the same key as the previous character, press ► to move the cursor right before pressing the key again.

### Special characters and symbols

Press **\***, **#** or **0**, then press ◀ or ▶ to move the cursor to the special character or symbol you want. Press **OK** to choose it.

Press **\*** for (space)! " # \$ % & ' ( ) \* + , - . /

Press **#** for : ; < = > ? @ [ ] ^ \_

Press **0** for 0 ¥ { | } ~



## Install the Printer Driver

### 13 Before you install

**a** Make sure that your computer is ON and you are logged on with Administrator rights.

#### Important

*If there are any programs running, close them.*

#### Note

*The screens may differ depending on your operating system.*

**b** Make sure the machine power switch is on.

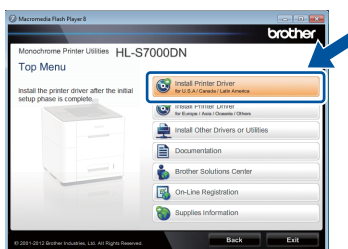
### 14 Install the printer driver

**a** Put the installation CD-ROM into your CD-ROM drive. If prompted, select your language.

#### Note

*If the Brother screen does not appear automatically, go to **Computer (My Computer)**, double-click the CD-ROM icon, and then double-click **start.exe**.*

**b** Click **Install Printer Driver**, and click **Yes** if you accept the license agreement.



#### Note

*For Windows Vista® and Windows® 7 users, when the **User Account Control** screen appears, click **Allow** or **Yes**.*

**c** Choose **Wireless Network Connection** and then click **Next**.

#### Note

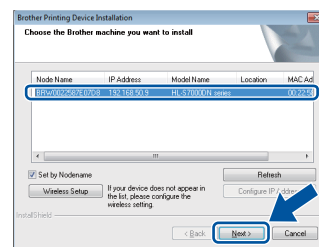
*If you want to install the PS driver (BR-Script3 printer driver), choose **Custom Install** and then follow the on-screen instructions.*

**d** Choose **Brother Peer-to-Peer Network Printer** or **Network Shared Printer**, and then click **Next**.

#### Note

- If you choose **Network Shared Printer**, choose your machine's queue, and then click **OK**.
- Choose the option of the **Firewall** setting, and then click **Next**.

**e** Choose the machine from the list, and then click **Next**.



#### Note

*If you are using WEP and the LCD displayed 'Connected' but your machine is not found, make sure you entered the WEP key correctly. The WEP key is case sensitive.*

**f** The installation will automatically start. Follow the on-screen instructions.

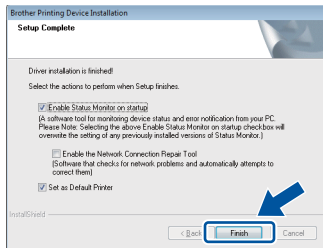
#### Important

*DO NOT cancel any of the screens during the installation. It may take a few seconds for all screens to appear.*

**g** When the **On-Line Registration** screen appears, follow the on-screen instructions. Once you have completed the registration process, click **Next**.



- h** When the **Setup Complete** screen appears, check the box for the action you want to perform and then click **Finish**.



 **Note**

Depending on your security settings, a Windows® Security or antivirus software window may appear when using the machine or its software. Please allow or permit the window to continue.

- i** When the **Software Update Setting** screen appears, choose the software update setting you want and click **OK**.

**Finish**

**The installation is now complete.**

 **Note**

**XML Paper Specification Printer Driver**

The XML Paper Specification Printer Driver is the most suitable driver for Windows Vista® and Windows® 7 when printing from the applications that use the XML Paper Specification documents. Please download the latest driver by accessing the Brother Solutions Center at <http://solutions.brother.com/>.



## Install the Printer Driver

### 13 Before you install

- a** Make sure your machine is connected to the power and your Macintosh is ON. You must be logged on with Administrator rights.



#### Note

- For users of Mac OS X 10.5.7 or lower, upgrade to Mac OS X 10.5.8 - 10.7.x. (For the latest drivers and information for the Mac OS X you are using, visit <http://solutions.brother.com/>.)
- If you want to add the PS driver (BR-Script3 printer driver), please go to the Brother Solutions Center at <http://solutions.brother.com/> and visit FAQ's on your model page for instructions.

### 14 Install the printer driver

- a** Put the installation CD-ROM into your CD-ROM drive.
- b** Double-click the **Start Here OSX** icon.



- c** Choose **Wireless Network Connection** and then click **Next**.
- d** Follow the on-screen instructions.

#### Important

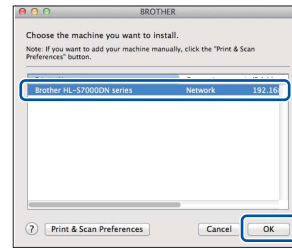
**DO NOT** cancel any of the screens during the installation. It may take a few minutes for the installation to complete.



#### Note

If your wireless settings fail, the **Wireless Device Setup Wizard** screen appears. Follow the on-screen instructions to complete the wireless configuration.

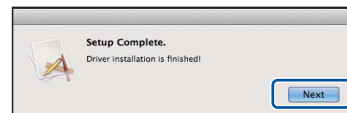
- e** Choose your machine from the list, and then click **OK**.



#### Note

- If there is more than one of the same model connected on your network, the MAC Address (Ethernet Address) will be displayed after the model name.
- You can find your machine's MAC Address (Ethernet Address) and IP Address by printing out the Printer Settings Page. See Print the Printer Settings Page on page 32.

- f** When this screen appears, click **Next**.



#### Note

When the **Brother Support** screen appears, follow the on-screen instructions.

## Finish

## The installation is now complete.

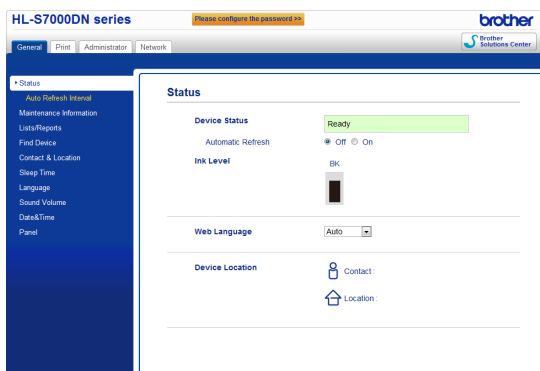
## Web Based Management (web browser)

The Brother print server is equipped with a web server that allows you to monitor its status or change some of its configuration settings, using HTTP (Hyper Text Transfer Protocol).

### Note

We recommend Microsoft® Internet Explorer® 7.0/8.0 or Firefox 3.6 for Windows® and Safari 4.0/5.0 for Macintosh. Please also make sure that JavaScript and Cookies are always enabled in whichever browser you use. To use a web browser, you will need to know the IP Address of the print server. The IP Address of the print server is listed on the Printer Settings Page.

- a** Open your browser.
- b** Type “http://machine’s IP address/” into your browser’s address bar (where “machine’s IP address” is the IP address of the Brother machine or the print server name).
  - For example: http://192.168.1.2/



### Note

- If you have configured an optional login password, you must enter it when prompted to access the Web Based Management.
- For more information, see Web Based Management in the Network User’s Guide.

## Reset the network settings to the factory default

To reset all network settings of the print server to its factory default, follow the steps below.

- a** Press **Menu**.
- b** Press **▲** or **▼** to choose **Network**. Press **OK**.
- c** Press **▲** or **▼** to choose **Network Reset**. Press **OK**.
- d** Press **1** to choose **Reset** and then press **1** to restart the machine.  
The machine will restart.

## Print the Printer Settings Page

The Printer Settings Page lists all the current printer settings, including network settings.

- a** Press **Menu**.
- b** Press **▲** or **▼** to choose **Machine Info**. Press **OK**.
- c** Press **OK** to choose **Print Settings**.  
The machine will print the current printer settings.

### Note

If the IP Address on the Printer Settings Page shows **0.0.0.0**, wait for one minute and try again.



## Silent Install (Windows® only)

Silent Install allows you to install the printer driver on computers remotely; there is no need for each computer user to install the driver themselves.

- a** Start the command prompt.  
Click **Start/All Programs/Accessories/Command Prompt**.  
Or click **Start**, click **Search Programs and files (Run)**, and then type "cmd" and press the **Enter** key.

- b** Type `CD-ROM drive: after >` at the command prompt, where `CD-ROM drive` is the letter of the CD-ROM drive you inserted the CD-ROM in, and press the **Enter** key.

For example, if the CD-ROM was inserted into the D drive, it would be: `c:\>d:`

- c** Type `cd install\model name after >`, where `model name` is your machine's model name, and press the **Enter** key.

For example, if the model name was HL-S7000DN, it would be:

```
d:\cd install\HL-S7000DN
```

- d** Type `setup /ip ip address after >`, where `ip address` is the IP address of the print server, and press the **Enter** key.

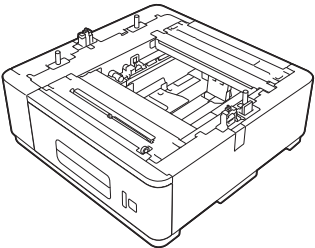
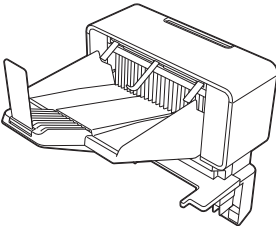
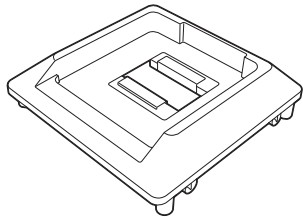
For example, if the IP address was 192.168.1.1, it would be:

```
d:\install\HL-S7000DN>setup /ip  
192.168.1.1
```

# Options and Consumables

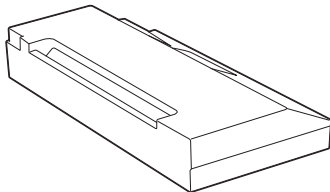
## Options

The machine has the following optional accessories. You can expand the capabilities of the machine by adding these items. For more information about the optional lower tray, output tray and optional stabilizer, visit us at <http://solutions.brother.com/>.

Lower tray	Output tray	Optional stabilizer
LT-7100	MX-7100	SB-7100
		
Three optional lower trays (Tray 2, Tray 3 and Tray 4) can be installed, and the lower trays can hold up to 500 sheets of paper in each tray.	One optional output tray can be installed, and it can stack up to 500 sheets of paper.	When you install two or more optional lower trays, you must install the optional stabilizer.

## Consumables

When the time comes to replace consumable items, an error will be indicated by the LCD on the control panel. For more information about the consumables for your machine, visit us at <http://www.brother.com/original/> or contact your local Brother reseller.

Replacement ink cartridge
HC-05BK (Approx. 30,000 pages) <sup>1</sup>


<sup>1</sup> Estimated Cartridge Yield is declared in accordance with ISO/IEC 24711 test in continuous printing methodology, using monochrome test page defined in ISO/IEC 19752.

### Note

For replacing the consumable items, see Replacing the ink cartridge in the User's Guide.

## Trademarks

The Brother logo is a registered trademark of Brother Industries, Ltd.

Microsoft, Windows, Windows Server and Internet Explorer are either registered trademarks or trademarks of Microsoft Corporation in the United States and/or other countries.

Windows Vista is either a registered trademark or trademark of Microsoft Corporation in the United States and/or other countries.

Apple, Macintosh, Safari and Mac OS are trademarks of Apple Inc., registered in the U.S. and other countries.

Wi-Fi Protected Setup is a mark of the Wi-Fi Alliance.

AOSS is a trademark of Buffalo Inc.

Each company whose software title is mentioned in this manual has a Software License Agreement specific to its proprietary programs.

**Any trade names and product names of companies appearing on Brother products, related documents and any other materials are all trademarks or registered trademarks of those respective companies.**

## Compilation and Publication

Under the supervision of Brother Industries, Ltd., this manual has been compiled and published, covering the latest product descriptions and specifications.

The contents of this manual and the specifications of this product are subject to change without notice.

Brother reserves the right to make changes without notice in the specifications and materials contained herein and shall not be responsible for any damages (including consequential) caused by reliance on the materials presented, including but not limited to typographical and other errors relating to the publication.

## Copyright and License

©2012 Brother Industries, Ltd. All rights reserved.

This product includes software developed by the following vendors:

©1983-1998 PACIFIC SOFTWARES, INC. ALL RIGHTS RESERVED.

©2008 Devicescape Software, Inc. All rights reserved.

This product includes the "KASAGO TCP/IP" software developed by ZUKEN ELMIC, Inc.



[www.brotherearth.com](http://www.brotherearth.com)

**brother**®