



**FACSIMILE EQUIPMENT
PARTS REFERENCE LIST**

**MODEL: MFC210C / 410CN / 620CN
FAX2440C
DCP110C / DCP310CN**

**(For Germany / United Kingdom / France /
Belgium / Netherlands / Switzerland /
Ireland / Denmark / Austria / Spain / Italy /
China / Hong Kong /
Asia (Singapore / Gulf) /
Oceania (Australia / New Zealand) /
Pan-Nordic (Norway / Finland / Sweden) /
Iberia (Spain / Portugal) / Euro Generic)**

© Copyright Brother 2004

All rights reserved

No part of this publication may be reproduced in any form
or by any means without permission in writing from the
publisher.

Specifications are subject to change without prior notice.

NOTES FOR USING THIS PARTS REFERENCE LIST

1. In the case of ordering parts, it needs mentioning the following items:

- (1) Code
- (2) Q' ty
- (3) Description
- (4) Recommend (The \checkmark mark is attached to recommend parts at this column.)
- (5) Symbol (PCB No., Revision, and Parts location mounted on the PCB.)

Note: No orders without Parts Code or Tool No. can be accepted.

[Example]

	(1)	(2)	(3)	(4)	(5)	
REF.NO.	CODE	Q' TY	DESCRIPTION	RECOMMEND	SYMBOL	REMARKS

2. Design-changed parts:

When the parts are changed, any one of the following symbols is mentioned in the REMARKS column.

CHG (chg): The part is changed to a new part.

ADD (add): The part is newly added.

DEL (del): The part is deleted.

Symbol in capital letters indicates that the change is the latest one in the page.

3. Parts change will be informed by the technical information.

COUNTRIES

GERMAN ----- GER

UNITED KINGDOM ----- UK

FRANCE ---- FRA

BELGIUM ---- BEL

NETHERLANDS ---- NLD

SWITZERLAND ---- CHE

IRELAND ---- IRE

DENMARK ---- DEN

AUSTRIA ---- AUS

SPAIN ---- SPA

ITALY ---- ITA

HONG KONG ---- HK

SINGAPORE ---- SIN

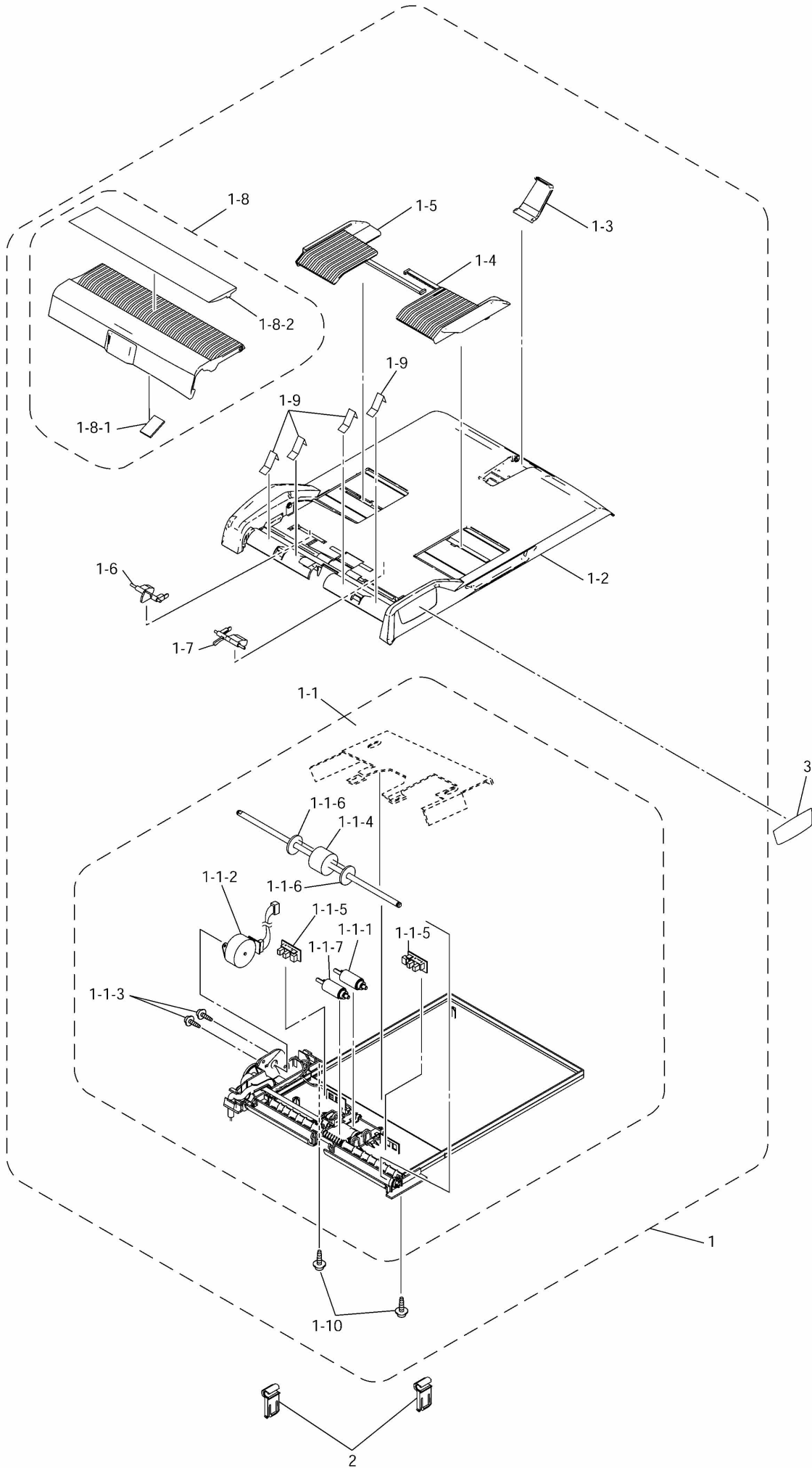
GULF ---- GUL

OCEANIA (ARL & NZ) ---- OCE

PAN NORDIC ---- PND

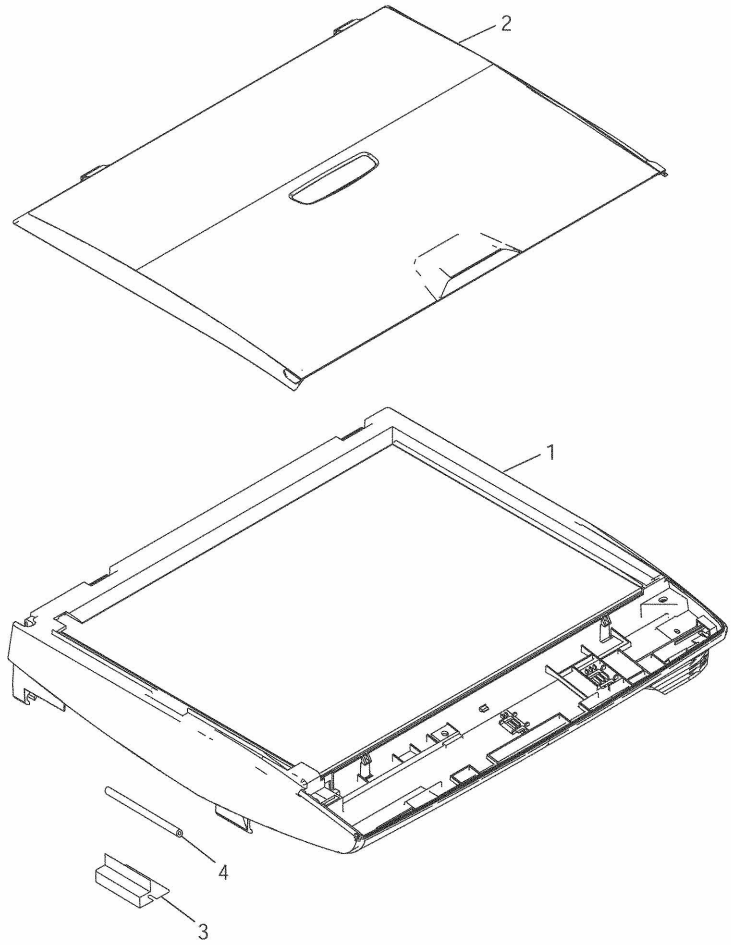
IBERIA (SPA & POR) ---- IBR

EURO GENERIC ---- GNR



List1(ADF)

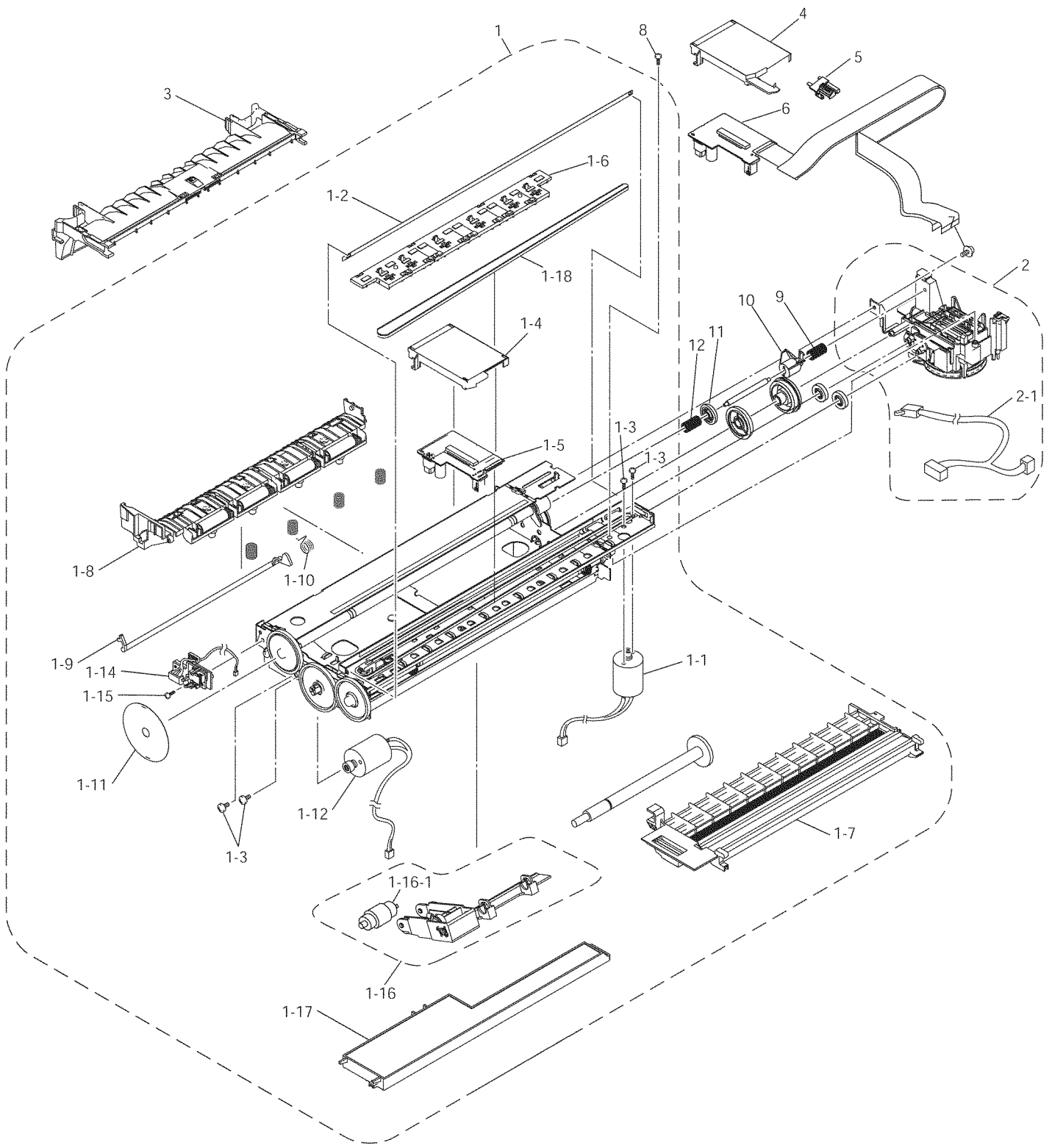
REF No.	CODE	QTY	DESCRIPTION	RECOMMEND	REMARKS
1	LP5762003	1	ADF UNIT ASSY (SP), MFC620CN	√	CHG
1	LP5762004	1	ADF UNIT ASSY (SP), FAX2440C	√	CHG
1-1	LP0585001	1	DOCUMENT SUPPORT ASSY, MFC620CN/FAX2440C		chg
1-1-1	LF7006001	1	DOCUMENT PULL-IN ROLLER, MFC620CN/FAX2440C		chg
1-1-2	LF4953001	1	ADF MOTOR, MFC620CN/FAX2440C		
1-1-3	0A5300605	2	SCREW, PAN (S/P WASHER) M3X6, MFC620CN/FAX2440C		
1-1-4	LF4955001	1	DOCUMENT FEED ROLLER, MFC620CN/FAX2440C		
1-1-5	LG2239001	2	DOCUMENT SENSOR, MFC620CN/FAX2440C		
1-1-6	LF7681001	2	ROLLER SUPPORT, MFC620CN/FAX2440C		add
1-1-7	LF4944001	1	DOCUMENT SEPARATION ROLLER, MFC620CN/FAX2440C		add
1-2	LP0139003	1	DOCUMENT COVER, MFC620CN		chg
1-2	LP0139004	1	DOCUMENT COVER, FAX2440C		chg
1-3	LF4964003	1	DOCUMENT STOPPER, MFC620CN		
1-3	LF4964004	1	DOCUMENT STOPPER, FAX2440C		
1-4	LF4965003	1	OUTPUT DOCUMENT SUPPORT, F, MFC620CN		
1-4	LF4965004	1	OUTPUT DOCUMENT SUPPORT, F, FAX2440C		add
1-5	LF4966003	1	OUTPUT DOCUMENT SUPPORT, R, MFC620CN		
1-5	LF4966004	1	OUTPUT DOCUMENT SUPPORT, R, FAX2440C		chg
1-6	LF4967001	1	DOCUMENT FRONT SENSOR ACTUATOR, MFC620CN/FAX2440C		
1-7	LF4968001	1	DOCUMENT REAR SENSOR ACTUATOR, MFC620CN/FAX2440C		
1-8	LF4969003	1	ADF COVER ASSY, MFC620CN		
1-8	LF4969004	1	ADF COVER ASSY, FAX2440C		
1-8-1	LF4975001	1	SEPARATION PAD, MFC620CN/FAX2440C		
1-8-2	LF5356001	1	EXIT COVER, MFC620CN		
1-8-2	LF5356004	1	EXIT COVER, FAX2440C		
1-9	LF5144001	4	EXIT FILM, MFC620CN		
1-10	085411216	2	TAPTITE BIND B M4X12, MFC620CN/FAX2440C		
2	LF4976001	2	HINGE, MFC620CN/FAX2440C		
3	LF5081001	1	EMBLEM BROTHER, MFC620CN/FAX2440C		



List2(SCANNER)

REF No.	CODE	QTY	DESCRIPTION	RECOMMEND	REMARKS
1	LF7732001	1	SCANNER UNIT, DCP110C/MFC210C	√	chg
1	LF7732003	1	SCANNER UNIT, DCP310CN/MFC410CN/MFC620CN	√	chg
1	LF7732004	1	SCANNER UNIT, FAX2440C	√	chg
2	LP0207001	1	DOCUMENT COVER SUPPLY ASSY, DCP110C/MFC210C		chg
2	LP0207003	1	DOCUMENT COVER SUPPLY ASSY, DCP310CN/MFC410CN		chg
3	LP0994001	1	HARNESS SUPPORT FILM, MFC620CN/FAX2440C		chg
4	LF7087001	1	HARNESS SPACER, MFC620CN/FAX2440C		
5	LF7524004	4	SCANNER BASE FILM		DEL

3 ENGINE



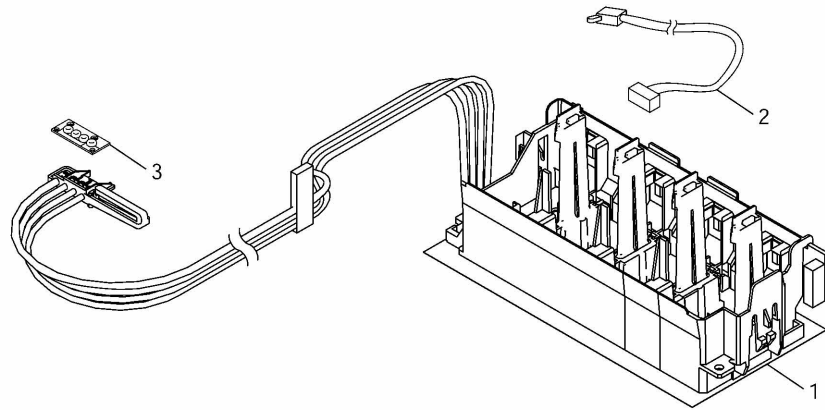
List3(ENGINE)

REF No.	CODE	QTY	DESCRIPTION	RECOMMEND	REMARKS
1	LF7963001	1	ENGINE UNIT SUPPLY ASSY		chg
1-1	LF4764001	1	CARRIAGE MOTOR		
1-2	LF4769001	1	CR ENCODER STRIP		
1-3	000300305	4	SCREW, BIND M3X3		
1-4	-----		NOT USED		
1-5	-----		NOT USED		
1-6	LP0555001	1	STAR WHEEL HOLDER ASSY A		chg
1-7	LF7525001	1	PLATEN		chg
1-8	LP0021001	1	PAPER PRESSURE HOLDER		chg
1-9	LF4789001	1	REGISTRATION SENSOR ACTUATOR		
1-10	LF4790001	1	SENSOR ACTUATOR SPRING		
1-11	LF4800001	1	PF ENCODER DISK		
1-12	LP0060001	1	PAPER FEED MOTOR		chg
1-13	LF4806001	4	JAM CLEAR COVER		del
1-14	LF4809001	1	SENSOR PCB		
1-15	087320616	1	TAPTITE, CUP S M3X6		
1-16	LF4812001	1	PAPER PULL-IN HOLDER		
1-16-1	LF4815001	1	AUTO SHEET FEEDER ROLLER ASSY		add
1-17	LF4818001	1	FLUSHING CASE		
1-18	LF4768001	1	TIMING BELT		ADD
2	LF7036001	1	PURGE UNIT		
2-1	LG5780001	1	INK CARTRIDGE/PURGE HP SWITCH HARNESS		
3	LF4806001	1	JAM CLEAR COVER		add
4	LF7964001	1	HEAD COVER ASSY (*1)		chg
4	LF7953001	1	HEAD COVER ASSY (*2)		add
5	LP0057001	1	FFC SUPPORT		add
6	LF7954001	1	CARRIAGE PCB SUPPLY ASSY		add
7	087320616	1	TAPTITE, CUP S M3X6		
8	087310815	1	TAPTITE, CUP B M3X8		
9	LF4760001	1	PURGE LEVER SPRING (LONGER)		add
10	LF4759001	1	PURGE LEVER		add
11	LF4762001	1	CLUCH GEAR		add
12	LF4763001	1	CLUCH GEAR SPRING (SHORTER)		add

*1 : For models with non-detachable carriage PCB on the print head

*2 : For models with detachable carriage PCB on the print head

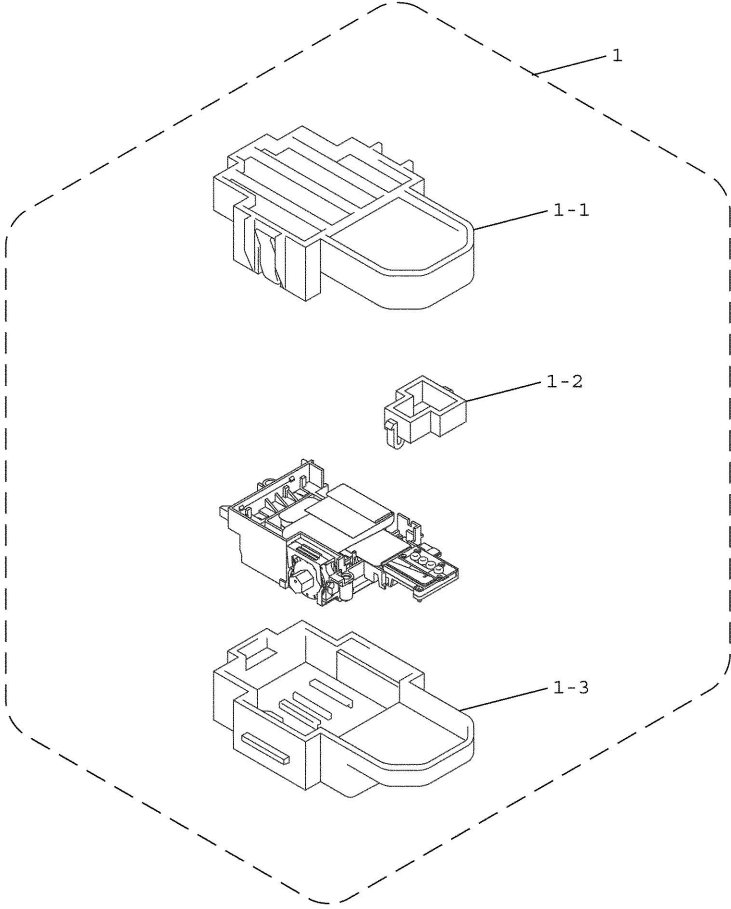
4 CARTRIDGE CASE



List4(CARTRIDGE CASE)

REF No.	CODE	QTY	DESCRIPTION	RECOMMEND	REMARKS
1	LP0472001	1	INK REFILL SUPPLY ASSY, DCP110C/DCP310CN/MFC210C/MFC410CN/MFC620CN EXCEPT FOR CHN		CHG
1	LP0472002	1	INK REFILL SUPPLY ASSY, FAX2440C		CHG
1	LP0472003	1	INK REFILL SUPPLY ASSY FOR CHN		CHG
2	LG5513001	1	BIG CARTRIDGE SENSOR HARNESS, FAX2440C		
3	LF7590001	1	HEAD JOINT RUBBER SUPPLY ASSY		

5 HEAD

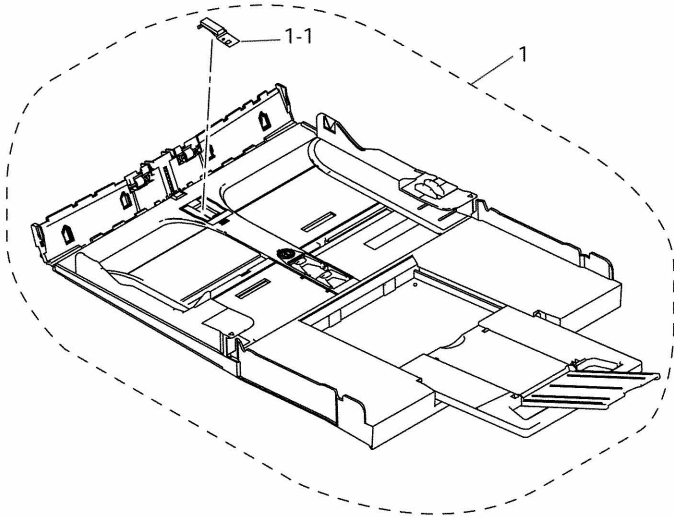
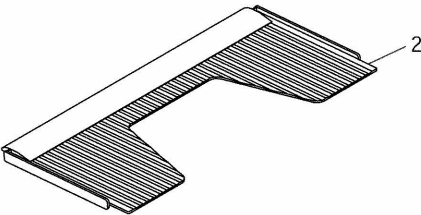


List5(HEAD)

REF No.	CODE	QTY	DESCRIPTION	RECOMMEND	REMARKS
1	LK1866001	1	HEAD/CARRIAGE SUPPLY ASSY (without CARRIAGE PCB ASSY) (*)		CHG
1-1	LK1579001	1	NOZZLE PROTECTOR UPPER		
1-2	LK1581001	1	RUBBER JOINT PROTECTOR		
1-3	LK1580001	1	NOZZLE PROTECTOR LOWER		

*: Please see List 3, 6; CARRIAGE PCB SUPPLY ASSY

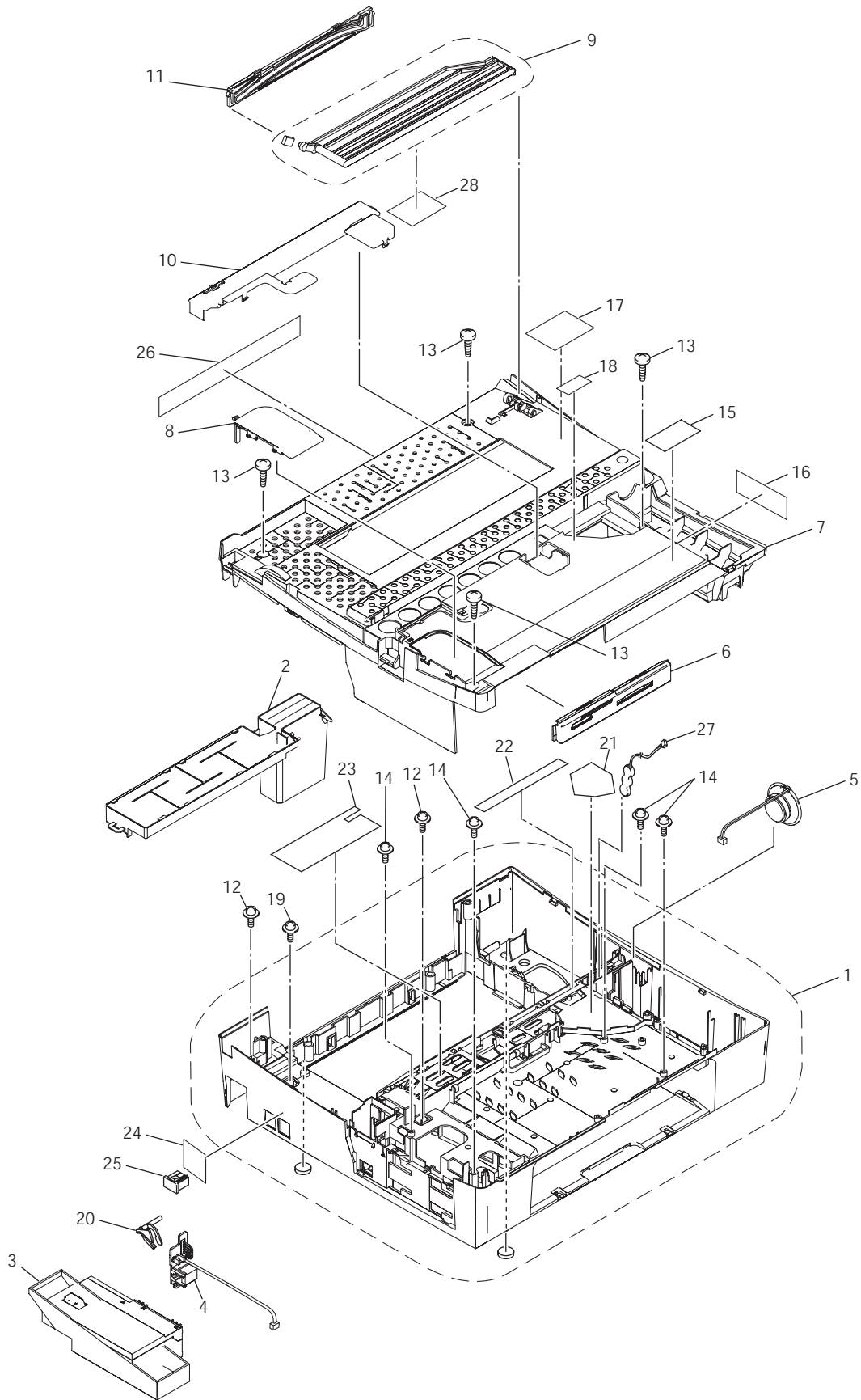
6 PAPER TRAY



List6(PAPER TRAY)

REF No.	CODE	QTY	DESCRIPTION	RECOMMEND	REMARKS
1	LF4855001	1	PAPER TRAY ASSY	√	
1-1	LP0556001	1	BASE PAD ASSY		ADD
2	LF5063001	1	TRAY COVER		

7 COVER



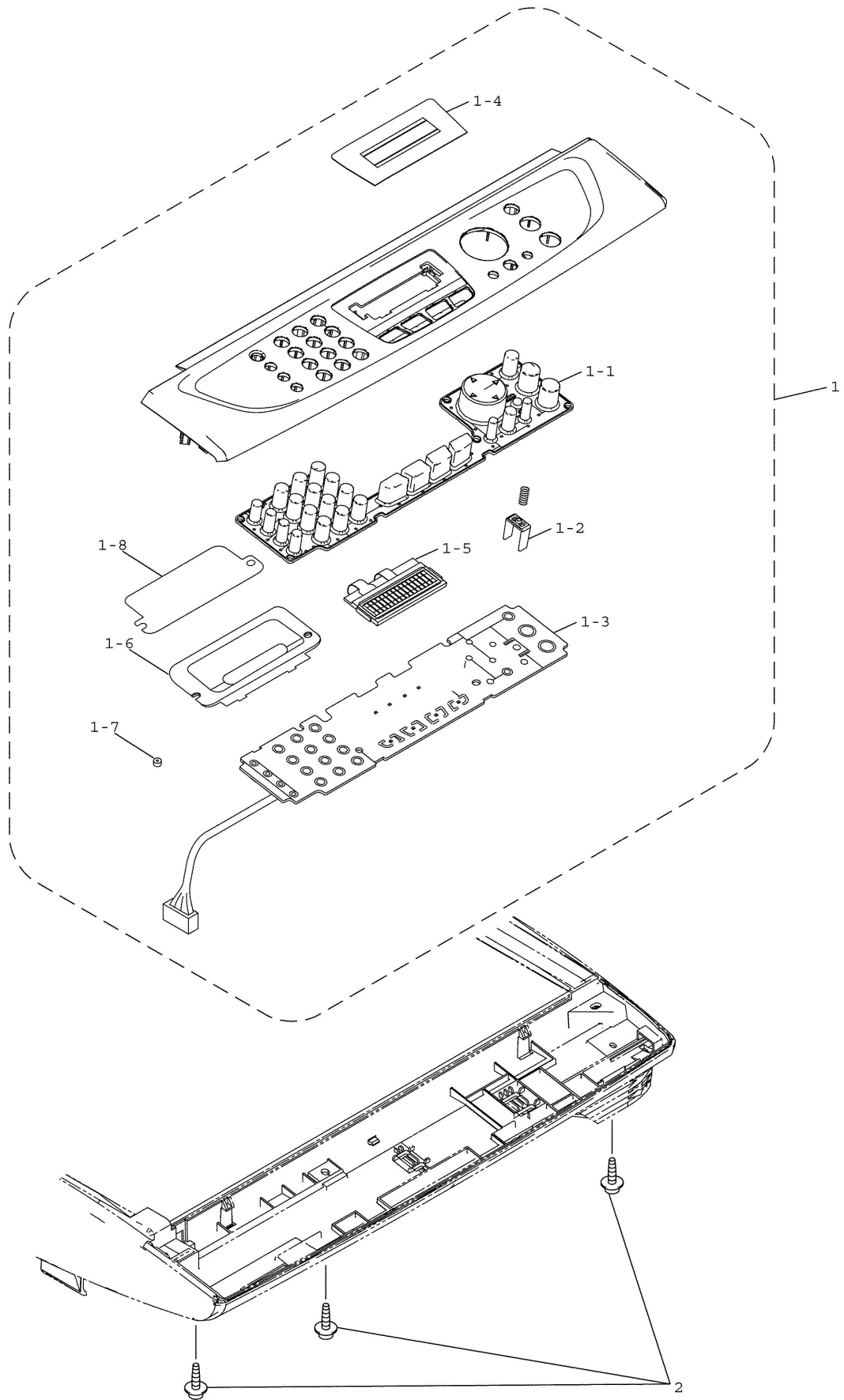
List7(COVER)

REF	CODE	QTY	DESCRIPTION	RECOMMEN	SYMBOL	REMARKS
1	LF4865001	1	LOWER COVER ASSY			
2	LF7443001	1	INK ABSORBER BOX ASSY	√		chg
3	LP3854001	1	HANDSET HOLDER ASSY, FAX2440C			chg
4	LG5474001	1	HOOK PCB ASSY, FAX2440C		B53K763	
5	LG6024001	1	SPEAKER UNIT, DCP110C/DCP310CN/MFC210C/MFC410CN			chg
5	LG5886001	1	SPEAKER UNIT, FAX2440C/MFC620CN			
6	LF5566001	1	MEDIA MODULE COVER			
7	LF7245001	1	UPPER COVER ASSY, DCP110C/MFC210C (*1)			
7	LF4878001	1	UPPER COVER ASSY, DCP110C/MFC210C (*2)			add
7	LF7248001	1	UPPER COVER ASSY, DCP310CN/MFC410CN/MFC620CN (*1)			
7	LF5127001	1	UPPER COVER ASSY, DCP310CN/MFC410CN/MFC620CN (*2)			add
7	LF7247001	1	UPPER COVER ASSY, FAX2440C (*1)			
7	LF5079001	1	UPPER COVER, FAX2440C (*2)			add
8	LF4879001	1	HARNES COVER			
9	LS5257001	1	SCANNER COVER STOPPER ASSY			CHG
10	LF4987001	1	CIS FLAT CABLE COVER			
11	LP3588001	1	SCANNER COVER DAMPER			chg
12	087320616	2	TAPTITE, CUP B M3X6			
13	085411216	4	TAPTITE, BIND B M4X12			
14	087310815	4	TAPTITE, CUP B M3X8			
15	LP0717001	1	INK REPLACE LABEL			chg
16	LF5116001	1	CONSUMPTION LABEL EXCEPT FOR CHN/SIN/GUL/OCE			
16	LF7833001	1	CONSUMPTION LABEL FOR CHN			add
16	LF5941001	1	CONSUMPTION LABEL FOR SIN/GUL/OCE			
17	LF5789001	1	COVER OPEN/CLOSE LABEL			add
18	LF5179001	1	USB STICKER EXCEPT FOR CHN			
18	LF5191001	1	USB STICKER FOR CHN			add
19	0A5300805	1	SCREW, PAN(S/P WASHER) M3X8			
20	LF4993001	1	ACTUATOR H/S, FAX2440C			
21	LF7105001	1	USB/LAN CONNECTION LABEL, DCP310CN/MFC410CN			
22	LF7262001	1	FFC GUIDE FILM			
23	LF7445001	1	TUBE GUIDE FILM			
24	LF5917001	1	MJ BLIND FILM, DCP110C/DCP310CN			
25	UF5745000	1	MJ COVER, EXT, FAX2440C FOR GER/UK/FRA/BEL/AUS/ITA, MFC410CN			
26	LP0582001	1	PAPER JAM INSTRUCTION LABEL/M2			add
27	LG5500001	1	BATTERY 3/V80H, FAX2440C/MFC620CN EXCEPT FOR OCE			add
27	LG5500002	1	BATTERY 3/V80H, MFC620CN FOR OCE			add
28	LP0825001	1	FB STOPPER DAMPING SHEET			add

*1 : For models with non-detachable carriage PCB on the print head

*2 : For models with detachable carriage PCB on the print head

8 PANEL

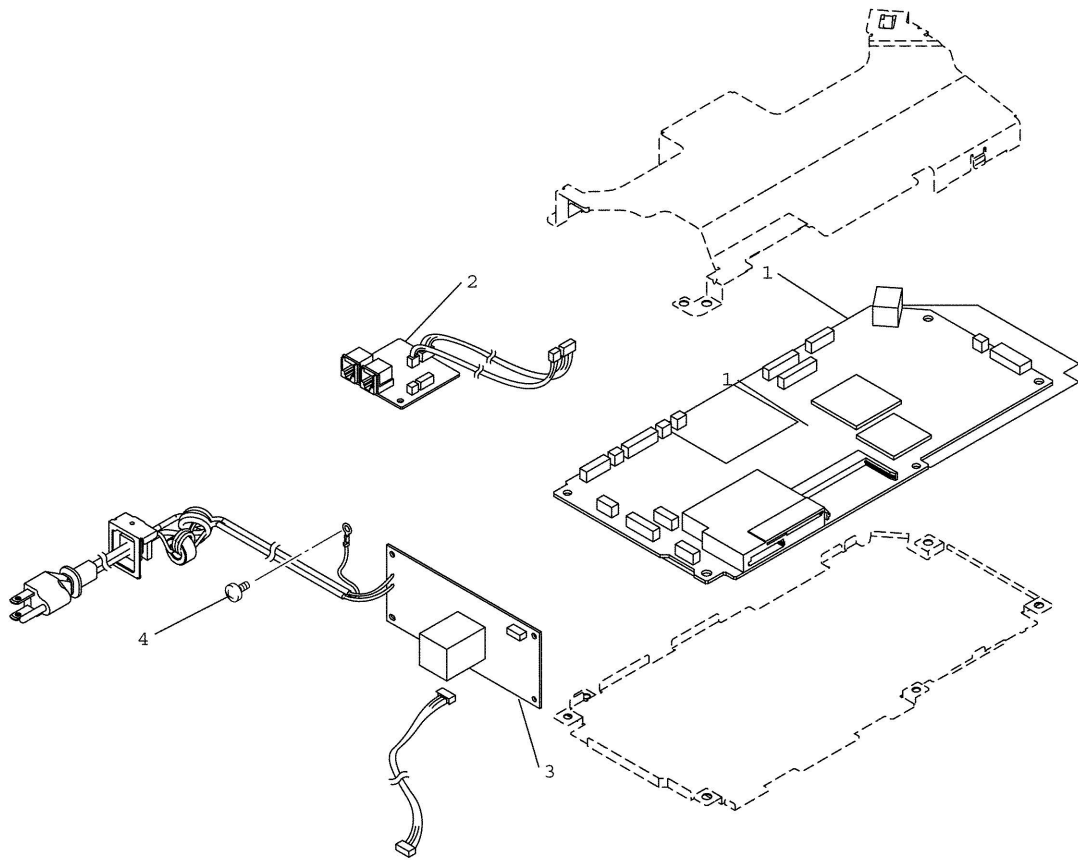


List8(PANEL)

REF No.	CODE	QTY	DESCRIPTION	RECOMMEND	SYMBOL	REMARKS
1	LF5128001	1	CONTROL PANEL ASSY, DCP110C	√		
1	LF5196001	1	CONTROL PANEL ASSY, DCP310CN	√		
1	LF5146001	1	CONTROL PANEL ASSY, MFC210C FOR GER/AUS	√		
1	LF5153001	1	CONTROL PANEL ASSY, MFC410CN FOR GER/AUS	√		
1	LF5160001	1	CONTROL PANEL ASSY, MFC620CN FOR GER/AUS	√		
1	LF5166001	1	CONTROL PANEL ASSY, FAX2440C FOR GER/AUS	√		
1	LF5149001	1	CONTROL PANEL ASSY, MFC210C FOR	√		
1	LF5156001	1	CONTROL PANEL ASSY, MFC410CN FOR UK/CHE/IRE/GNR	√		
1	LF5117001	1	CONTROL PANEL ASSY, MFC620CN FOR UK/BEL/CHE	√		
1	LF5171001	1	CONTROL PANEL ASSY, FAX2440C FOR UK/BEL	√		
1	LF5151001	1	CONTROL PANEL ASSY, MFC210C FOR FRA	√		
1	LF5158001	1	CONTROL PANEL ASSY, MFC410CN FOR FRA	√		
1	LF5163001	1	CONTROL PANEL ASSY, MFC620CN FOR FRA	√		
1	LF5174001	1	CONTROL PANEL ASSY, FAX2440C FOR FRA	√		
1	LF5834001	1	CONTROL PANEL ASSY, MFC210C FOR NLD	√		
1	LF7297001	1	CONTROL PANEL ASSY, MFC410CN FOR NLD	√		
1	LF7399001	1	CONTROL PANEL ASSY, MFC620CN FOR NLD	√		
1	LF5845001	1	CONTROL PANEL ASSY, MFC210C FOR DEN/PND	√		
1	LF7303001	1	CONTROL PANEL ASSY, MFC410CN FOR DEN/PND	√		
1	LF7407001	1	CONTROL PANEL ASSY, MFC620CN FOR DEN/PND	√		
1	LF5852001	1	CONTROL PANEL ASSY, MFC210C FOR SPA	√		
1	LF7307001	1	CONTROL PANEL ASSY, MFC410CN FOR SPA	√		
1	LF7413001	1	CONTROL PANEL ASSY, MFC620CN FOR SPA	√		
1	LF7509001	1	CONTROL PANEL ASSY, FAX2440C FOR SPA	√		
1	LF5858001	1	CONTROL PANEL ASSY, MFC210C FOR ITA	√		
1	LF7311001	1	CONTROL PANEL ASSY, MFC410CN FOR ITA	√		
1	LF7419001	1	CONTROL PANEL ASSY, MFC620CN FOR ITA	√		
1	LF7515001	1	CONTROL PANEL ASSY, FAX2440C FOR ITA	√		
1	LF5864001	1	CONTROL PANEL ASSY, MFC210C FOR POR	√		
1	LF7834001	1	CONTROL PANEL ASSY, MFC210C FOR CHN	√		add
1	LF7847001	1	CONTROL PANEL ASSY, MFC410CN FOR CHN	√		add
1	LF7464001	1	CONTROL PANEL ASSY, MFC210C FOR HK/SIN/GUL/OCE	√		
1	LF7469001	1	CONTROL PANEL ASSY, MFC410CN FOR SIN/GUL/OCE	√		
1	LF7474001	1	CONTROL PANEL ASSY, MFC620CN FOR SIN/GUL/OCE	√		
1-1	LF5133001	1	RUBBER KEYPAD, DCP110C/310CN			
1-1	LF4888001	1	RUBBER KEYPAD, MFC210C			
1-1	LF5102001	1	RUBBER KEYPAD, MFC410CN			
1-1	LF5111001	1	RUBBER KEYPAD, MFC620CN			
1-1	LF5085001	1	RUBBER KEYPAD, FAX2440C			
1-2	LF4890001	1	SCANNER OPEN SENSOR ACTUATOR			
1-3	LG6226051	1	CONTROL PANEL PCB ASSY, DCP110C		B53K808	CHG
1-3	LG6226052	1	CONTROL PANEL PCB ASSY, DCP310CN		B53K808	CHG
1-3	LG6195001	1	CONTROL PANEL PCB ASSY, MFC210C		B53K807	chg
1-3	LG6195002	1	CONTROL PANEL PCB ASSY, MFC410CN		B53K807	chg
1-3	LG5533051	1	CONTROL PANEL PCB ASSY, MFC620CN		B53K752	chg
1-3	LG5533052	1	CONTROL PANEL PCB ASSY, FAX2440C		B53K752	chg

List8(PANEL)

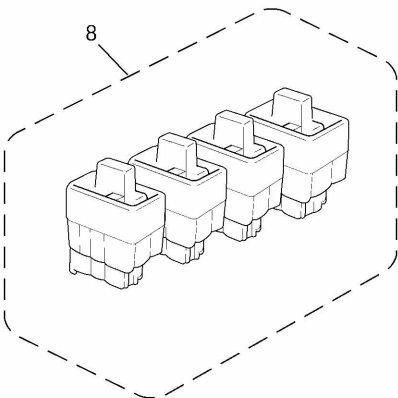
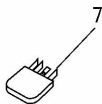
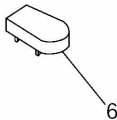
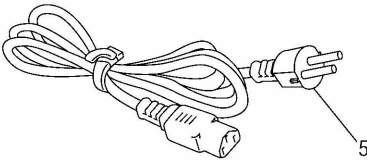
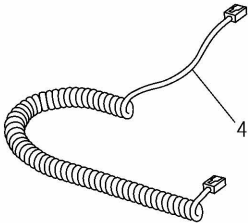
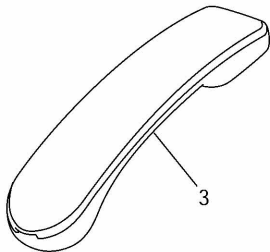
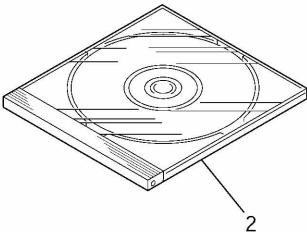
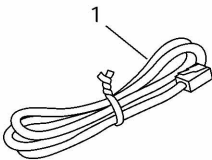
REF No.	CODE	QTY	DESCRIPTION	RECOMMEND	SYMBOL	REMARKS
1-4	LF5135001	1	LCD SHEET, DCP110C			
1-4	LF5199001	1	LCD SHEET, DCP310CN			
1-4	LF5302001	1	LCD SHEET, MFC210C FOR GER/AUS			
1-4	LF5306001	1	LCD SHEET, MFC410CN FOR GER/AUS			
1-4	LF5308001	1	LCD SHEET, MFC620CN FOR GER/AUS			
1-4	LF5304001	1	LCD SHEET, FAX2440C FOR GER/AUS			
1-4	LF5148001	1	LCD SHEET, MFC210C FOR UK/BEL/CHE/DEN/IRE/HK/SIN/GUL/OCE/PND/GNR			
1-4	LF5155001	1	LCD SHEET, MFC410CN FOR UK/CHE/DEN/IRE/PND/GNR			
1-4	LF5121001	1	LCD SHEET, MFC620CN FOR UK/BEL/CHE/DEN/PND			
1-4	LF5170001	1	LCD SHEET, FAX2440C FOR UK/BEL			
1-4	LF5303001	1	LCD SHEET, MFC210C FOR FRA			
1-4	LF5307001	1	LCD SHEET, MFC410CN FOR FRA			
1-4	LF5309001	1	LCD SHEET, MFC620CN FOR FRA			
1-4	LF5305001	1	LCD SHEET, FAX2440C FOR FRA			
1-4	LF5836001	1	LCD SHEET, MFC210C FOR NLD			
1-4	LF7299001	1	LCD SHEET, MFC410CN FOR NLD			
1-4	LF7402001	1	LCD SHEET, MFC620CN FOR NLD			
1-4	LF5854001	1	LCD SHEET, MFC210C FOR SPA			
1-4	LF7309001	1	LCD SHEET, MFC410CN FOR SPA			
1-4	LF7416001	1	LCD SHEET, MFC620CN FOR SPA			
1-4	LF7512001	1	LCD SHEET, FAX2440C FOR SPA/ITA			
1-4	LF5860001	1	LCD SHEET, MFC210C FOR ITA			
1-4	LF7313001	1	LCD SHEET, MFC410CN FOR ITA			
1-4	LF7422001	1	LCD SHEET, MFC620CN FOR ITA			
1-4	LF7518001	4	LCD SHEET, FAX2440C FOR ITA			del
1-4	LF5866001	1	LCD SHEET, MFC210C FOR POR			
1-4	LF7836001	1	LCD SHEET, MFC210C FOR CHN			add
1-4	LF7849001	1	LCD SHEET, MFC410CN FOR CHN			add
1-5	LG5355001	1	LCD, DCP110C/MFC210C/FAX2440C			
1-5	LG6132001	1	LCD, DCP310CN/MFC620CN			chg
1-5	LG6131001	1	LCD, MFC410CN			chg
1-6	LF5092001	1	LCD HOLDER, MFC620CN			
1-7	UF6916001	1	MIC COVER, MFC620CN/FAX2440C			
1-8	LF5093001	1	DIFFUSION FILM, MFC620CN			
2	087311216	3	TAPTITE, CUP B M3X12			



List9(PCB)

REF No.	CODE	QTY	DESCRIPTION	RECOMMEND	SYMBOL	REMARKS
1	LG6111011	1	MAIN PCB ASSY, DCP110C EXCEPT FOR CHN	√	B53K793	chg
1	LG5596002	1	MAIN PCB ASSY, DCP110C FOR CHN	√	B53K764	add
1	LG5633061	1	MAIN PCB ASSY, DCP310CN	√	B53K744	chg
1	LG5364003	1	MAIN PCB ASSY, MFC210C EXCEPT FOR CHN	√	B53K764	chg
1	LG5364005	1	MAIN PCB ASSY, MFC210C FOR CHN	√	B53K764	add
1	LG5579053	1	MAIN PCB ASSY, MFC410CN EXCEPT FOR CHN	√	B53K745	
1	LG5579055	1	MAIN PCB ASSY, MFC410CN FOR CHN	√	B53K745	add
1	LG5575032	1	MAIN PCB ASSY, MFC620CN	√	B53K745	chg
1	LG5577013	1	MAIN PCB ASSY, FAX2440C	√	B53K745	chg
2	LG7371054	1	MJ PCB ASSY, MFC210C/MFC410CN/MFC620CN EXCEPT FOR CHN/HK/SIN/GUL/OCE, FAX2440C		B53K887	CHG
2	LG7371056	1	MJ PCB ASSY, MFC210C/MFC410CN/MFC620CN FOR CHN/HK/SIN/GUL/OCE		B53K887	CHG
3	LG5544001	1	POWER SUPPLY PCB UNIT EXCEPT FOR CHN/HK/SIN/GUL	√		
3	LG6080001	1	POWER SUPPLY PCB UNIT FOR CHN	√		add
3	LG5743001	1	POWER SUPPLY PCB UNIT FOR HK/SIN/GUL	√		
4	UF6559001	1	SCREW, PAN (WASHER) M4X8DB			

10 ACCESSORIES



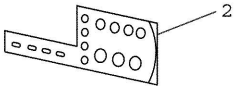
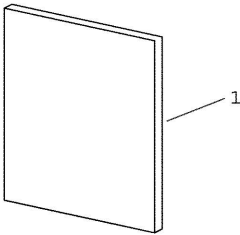
List10(Accessories)

REF No.	CODE	QTY	DESCRIPTION	RECOMMEND	REMARKS
1	UG3625001	1	TELEPHONE LINE CORD, MFC210C/MFC410CN/MFC620CN/FAX2440C FOR GER		
1	UG3626001	1	TELEPHONE LINE CORD, MFC210C/MFC410CN/MFC620CN/FAX2440C FOR UK		
1	UG3627001	1	TELEPHONE LINE CORD, MFC210C/MFC410CN/MFC620CN/FAX2440C FOR FRA		
1	UG1575001	1	TELEPHONE LINE CORD, MFC210C/MFC620CN/FAX2440C FOR BEL		
1	LG3077001	1	TELEPHONE LINE CORD, MFC210C/MFC410CN/MFC620CN/FAX2440C FOR NLD/IRE/SPA/POR/CHN/SIN/GUL/OCE/GNR		CHG
1	LG7202001	1	TELEPHONE LINE CORD, MFC210C/MFC410CN/MFC620CN FOR CHE		chg
1	UG4205001	1	TELEPHONE LINE CORD, MFC210C/MFC410CN/MFC620CN/FAX2440C FOR AUS		
1	UG3634001	1	TELEPHONE LINE CORD, MFC210C/MFC410CN/MFC620CN/FAX2440C FOR ITA		
1	UG3290001	1	TELEPHONE LINE CORD, MFC210C/MFC410CN/MFC620CN FOR HK/OCE		
1	UG3635001	4	TELEPHONE LINE CORD, MFC210C/MFC410CN/MFC620CN FOR PND <SWEDEN>		del
1	UG3632001	4	TELEPHONE LINE CORD, MFC210C/MFC410CN/MFC620CN FOR PND <FINLAND>		del
1	UG3629001	4	TELEPHONE LINE CORD, MFC210C/MFC410CN/MFC620CN FOR PND <NORWAY>		del
2	LF5357001	1	CD-ROM ASSY<Windows>, DCP110C FOR GER/UK/CHE/AUS/SIG/GUL/OCE		
2	LF5418001	1	CD-ROM ASSY<Windows>, DCP310CN FOR GER/UK/AUS		
2	LF5406001	1	CD-ROM ASSY<Windows>, MFC210C FOR GER/UK/FRA/CHE/IRE/AUS/HK/SIN/GUL/OCE		
2	LF5410001	1	CD-ROM ASSY<Windows>, MFC410CN FOR GER/UK/FRA/CHE/IRE/AUS/SIN/GUL/OCE		
2	LF5414001	1	CD-ROM ASSY<Windows>, MFC620CN FOR GER/UK/FRA/CHE/AUS/SIN/GUL/OCE		
2	LF5359001	1	CD-ROM ASSY<Windows>, DCP110C FOR FRA/PND/GNR		
2	LF5557001	1	CD-ROM ASSY<Windows>, DCP310CN FOR FRA		
2	LF5408001	1	CD-ROM ASSY<Windows>, MFC210C FOR BEL/NLD/PND/GNR		
2	LF5416001	1	CD-ROM ASSY<Windows>, MFC620CN FOR BEL/NLD/PND		
2	LF5412001	1	CD-ROM ASSY<Windows>, MFC410CN FOR NLD/PND/GNR		
2	LF5360001	1	CD-ROM ASSY<Windows>, DCP110C FOR DEN/PND		
2	LF5409001	1	CD-ROM ASSY<Windows>, MFC210C FOR DEN/PND		
2	LF5420001	1	CD-ROM ASSY<Windows>, DCP310CN FOR DEN		
2	LF5413001	1	CD-ROM ASSY<Windows>, MFC410CN FOR DEN/PND		
2	LF5417001	1	CD-ROM ASSY<Windows>, MFC620CN FOR DEN/PND		
2	LF5407001	1	CD-ROM ASSY<Windows>, MFC210C FOR SPA/ITA/POR		
2	LF5411001	1	CD-ROM ASSY<Windows>, MFC410CN FOR SPA/ITA		
2	LF5415001	1	CD-ROM ASSY<Windows>, MFC620CN FOR SPA/ITA		
2	LF5358001	1	CD-ROM ASSY<Windows>, DCP110C FOR ITA/IBR		
2	LF5419001	1	CD-ROM ASSY<Windows>, DCP310CN FOR ITA/IBR		
2	LF7855001	1	CD-ROM ASSY<Windows>, DCP110C FOR CHN		add
2	LF7837001	1	CD-ROM ASSY<Windows>, MFC210C FOR CHN		add
2	LF7850001	1	CD-ROM ASSY<Windows>, MFC410CN FOR CHN		add
2	LF5361001	4	CD-ROM ASSY<Macintosh>, DCP110C/310CN EXCEPT FOR DEN/PND		del
2	LF7231001	1	CD-ROM ASSY<Macintosh>, DCP110C/310CN		chg
2	LF5435001	1	CD-ROM ASSY<Macintosh>, MFC210C/MFC410CN EXCEPT FOR BEL/NLD/DEN/CHN/GNL/PND		
2	LF7229001	1	CD-ROM ASSY<Macintosh>, MFC210C/MFC410CN FOR BEL/NLD/DEN/GNL/PND		
2	LF5436001	1	CD-ROM ASSY<Macintosh>, MFC620CN EXCEPT FOR BEL/NLD/DEN/PND		
2	LF7230001	1	CD-ROM ASSY<Macintosh>, MFC620CN FOR BEL/NLD/DEN/PND		
3	LF1518016	1	HANDSET ASSY, FAX2440C		chg
4	UL8019010	1	HANDSET CURLED CORD ASSY, FAX2440C		
5	LG5717001	1	AC CORD BAG ASSY, VDE FOR GER/FRA/BEL/NLD/AUS/SPA/ITA/GUL/POR/PND/IBR/GNR	√	chg
5	LG5692001	1	AC CORD BAG ASSY FOR UK/IRE/HK/SIN	√	chg
5	LG5732001	1	AC CORD BAG ASSY, SEV FOR CHE	√	chg
5	LG5736001	1	AC CORD BAG ASSY, DEMCO FOR DEN	√	chg
5	LG5735001	1	AC CORD BAG ASSY, LF FOR CHN		add
5	LG5734001	1	AC CORD BAG ASSY, SAA FOR OCE	√	chg

List10(Accessories)

REF No.	CODE	QTY	DESCRIPTION	RECOMMEND	REMARKS
6	LG3622001	1	TELEPHONE PLUG, MFC210C/MFC410CN/MFC620CN FOR NLD		
6	UG1573000	1	TELEPHONE PLUG, MFC210C/MFC620CN FOR BEL		
6	LG5828001	1	TELEPHONE PLUG, MFC210C/MFC410CN/MFC620CN FOR DEN/PND <DENMARK>		add
6	LG5829001	1	TELEPHONE PLUG, MFC210C/MFC410CN/MFC620CN FOR PND <FINLAND>		add
6	LG5830001	1	TELEPHONE PLUG, MFC210C/MFC410CN/MFC620CN FOR PND <SWEDEN>		add
7	LG3509001	1	TELEPHONE PLUG, MFC210C/MFC410CN/MFC620CN FOR ARL		
8	LF7986001	1	PROTECTION CARTRIDGE SUPPLY ASSY		chg
9	LF7430004	3	PROTECTION CARTRIDGE, COLOR		del

11 PRINTED MATERIALS

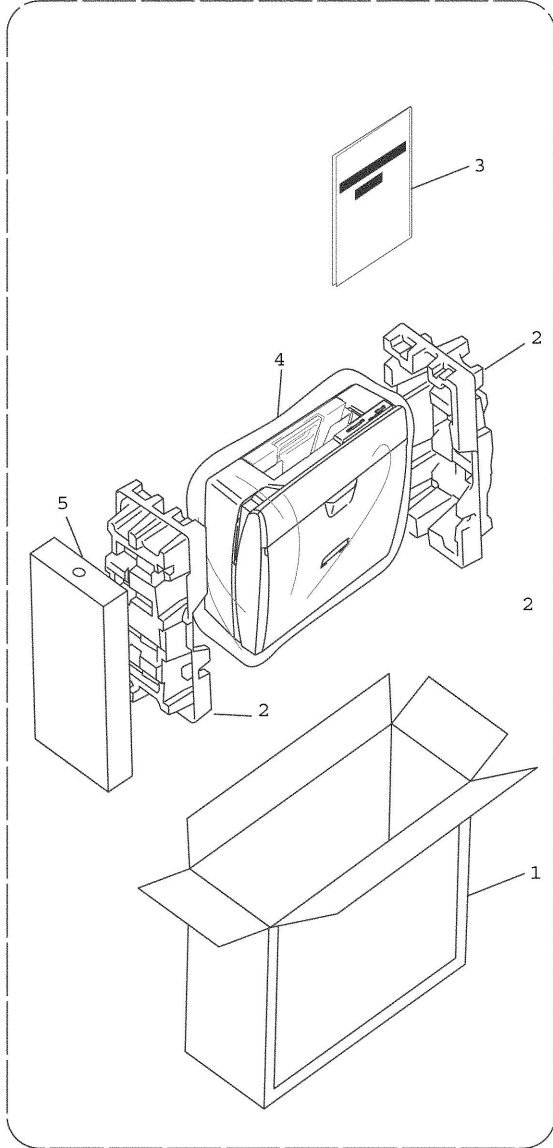


List11(PRINTED MATERIALS)

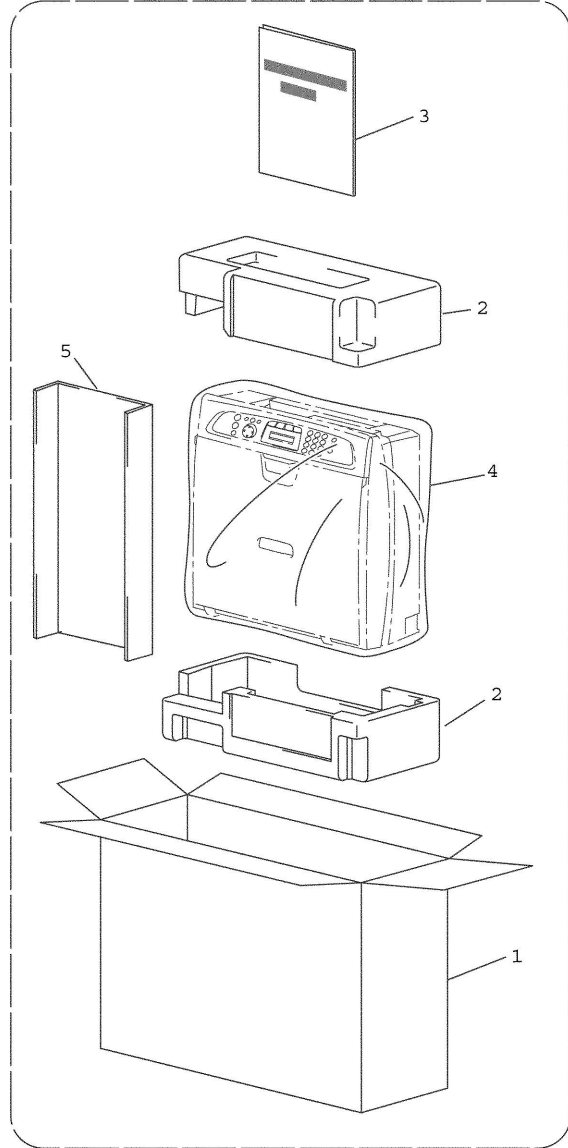
REF No.	CODE	Q'TY	DESCRIPTION	RECOMMEND	REMARKS
1	LF5181003	1	OWNER'S GUIDE, DCP110C/310CN FOR GER/CHE<GERMAN>		
1	LF5820003	1	OWNER'S GUIDE, MFC210C/MFC410CN FOR GER/AUS<GERMAN>		
1	LF7244003	1	OWNER'S GUIDE, MFC620CN FOR GER/AUS<GERMAN>		
1	LF7346003	1	OWNER'S GUIDE, FAX2440C FOR GER/AUS<GERMAN>		
1	LF5181004	1	OWNER'S GUIDE, DCP110C/310CN FOR UK/SIN/GUL/OCE/GNR<ENGLISH>		
1	LF5820004	1	OWNER'S GUIDE, MFC210C/MFC410CN FOR UK/IRE/GNR <ENGLISH>		
1	LF7244004	1	OWNER'S GUIDE, MFC620CN FOR UK <ENGLISH>		
1	LF7346004	1	OWNER'S GUIDE, FAX2440C FOR UK <ENGLISH>		
1	LF5181005	1	OWNER'S GUIDE, DCP110C/310CN FOR FRA/CHE<FRENCH>		
1	LF5181009	1	OWNER'S GUIDE, DCP110C/310CN FOR FRA<DUTCH>		
1	LF5820005	1	OWNER'S GUIDE, MFC210C/MFC410CN FOR FRA <FRENCH>		
1	LF7244005	1	OWNER'S GUIDE, MFC620CN FOR FRA <FRENCH>		
1	LF7346005	1	OWNER'S GUIDE, FAX2440C FOR FRA <FRENCH>		
1	LF5820008	1	OWNER'S GUIDE, MFC210C/MFC410CN FOR BEL/CHE <GERMAN>		
1	LF5830008	1	OWNER'S GUIDE, MFC210C FOR BEL		
1	LF7244008	1	OWNER'S GUIDE, MFC620CN FOR BEL		
1	LF7323008	1	OWNER'S GUIDE, MFC620CN FOR BEL/CHE <GERMAN>		
1	LF7346008	1	OWNER'S GUIDE, FAX2440C FOR BEL		
1	LF7347008	1	OWNER'S GUIDE, FAX2440C FOR BEL <GERMAN>		
1	LF5820009	1	OWNER'S GUIDE, MFC210C/MFC410CN FOR NLD		
1	LF7244009	1	OWNER'S GUIDE, MFC620CN FOR NLD		
1	LF5820010	1	OWNER'S GUIDE, MFC210C/MFC410CN FOR CHE		
1	LF7244010	1	OWNER'S GUIDE, MFC620CN FOR CHE		
1	LF5820013	1	OWNER'S GUIDE, MFC210C/MFC410CN FOR DEN/PND		
1	LF7244013	1	OWNER'S GUIDE, MFC620CN FOR DEN/PND		
1	LF5820015	1	OWNER'S GUIDE, MFC210C/MFC410CN FOR SPA		
1	LF7244015	1	OWNER'S GUIDE, MFC620CN FOR SPA		
1	LF7346015	1	OWNER'S GUIDE, FAX2440C FOR SPA		
1	LF5181016	1	OWNER'S GUIDE, DCP110C/310CN FOR ITA		
1	LF5820016	1	OWNER'S GUIDE, MFC210C/MFC410CN FOR ITA		
1	LF7244016	1	OWNER'S GUIDE, MFC620CN FOR ITA		
1	LF7346016	1	OWNER'S GUIDE, FAX2440C FOR ITA		
1	LF5181015	1	OWNER'S GUIDE FOR IBR<SPANISH>		
1	LF5181018	1	OWNER'S GUIDE FOR IBR<PORTUGUESE>		
1	LF5820018	1	OWNER'S GUIDE, MFC210C FOR POR		
1	LF7857001	1	OWNER'S GUIDE, DCP110C FOR CHN		ADD
1	LF7839001	1	OWNER'S GUIDE, MFC210C/MFC410CN FOR CHN		ADD
1	LF7364001	1	OWNER'S GUIDE, MFC210C/MFC410CN FOR HK/SIN/GUL/OCE		
1	LF7327001	1	OWNER'S GUIDE, MFC620CN FOR SIN/GUL/OCE		
1	LF5820057	1	OWNER'S GUIDE, MFC210C/MFC410CN FOR PND		
1	LF7244057	1	OWNER'S GUIDE, MFC620CN FOR PND		
2	LF5130001	1	PRINTED EX PANEL, DCP110C FOR GER/CHE<GERMAN>		
2	LF5130002	1	PRINTED EX PANEL, DCP310CN FOR GER/CHE<GERMAN>		
2	LF5145001	1	PRINTED EX PANEL, DCP110C FOR UK/FRA/DEN/SIN/GUL/OCE/PND/GNR <ENGLISH>		
2	LF5145002	1	PRINTED EX PANEL, DCP310CN FOR UK/FRA/DEN <ENGLISH>		
2	LF5192001	1	PRINTED EX PANEL, DCP110C FOR FRA/CHE <FRENCH>		
2	LF5192002	1	PRINTED EX PANEL, DCP310CN FOR FRA <FRENCH>		
2	LF5193001	1	PRINTED EX PANEL, DCP110C FOR FRA <DUTCH>		
2	LF5193002	1	PRINTED EX PANEL, DCP310CN FOR FRA <DUTCH>		
2	LF5379001	1	PRINTED EX PANEL, DCP110C FOR ITA		
2	LF5379002	1	PRINTED EX PANEL, DCP310CN FOR ITA		
2	LF7858001	1	PRINTED EX PANEL, DCP110C FOR CHN		ADD
2	LF5389001	1	PRINTED EX PANEL, DCP110C FOR IBR<SPANISH>		
2	LF5389002	1	PRINTED EX PANEL, DCP310CN FOR IBR<SPANISH>		
2	LF5390001	1	PRINTED EX PANEL, DCP110C FOR IBR<PORTUGUESE>		
2	LF5390002	1	PRINTED EX PANEL, DCP310CN FOR IBR<PORTUGUESE>		

12 PACKING MATERIALS

MFC210C/420CN FOR OTHER COUNTRY
FAX2440C, MFC620CN, DCP110C/310CN



MFC210C/420CN FOR US



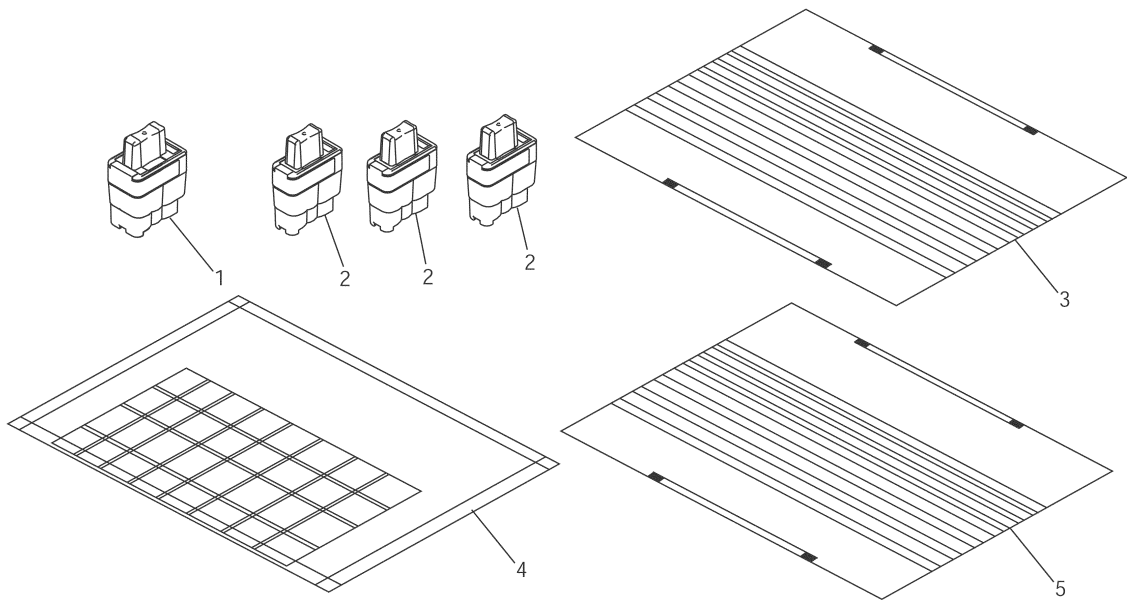
List12(PACKAGING)

REF No.	CODE	Q'TY	DESCRIPTION	RECOMMEND	REMARKS
1	LF7868001	1	CARTON, BROTHER, DCP110C EXCEPT FOR CHN/SIN/GUL/OCE	√	chg
1	LF7871001	1	CARTON, BROTHER, DCP310CN	√	chg
1	LF7874001	1	CARTON, BROTHER, MFC210C EXCEPT FOR CHN/HK/SIN/GUL/OCE	√	chg
1	LF7877001	1	CARTON, BROTHER, MFC410CN EXCEPT FOR	√	chg
1	LP0579001	1	CARTON, BROTHER, MFC620CN EXCEPT FOR SIN/GUL/OCE	√	CHG
1	LP0581001	1	CARTON, BROTHER, FAX2440C	√	CHG
1	LF7861001	1	CARTON, BROTHER, DCP110C FOR CHN	√	add
1	LF7841001	1	CARTON, BROTHER, MFC210C FOR CHN	√	add
1	LF7851001	1	CARTON, BROTHER, MFC410CN FOR CHN	√	add
1	LF5944001	1	CARTON, BROTHER, DCP110C FOR SIN/GUL/OCE	√	
1	LF7250001	1	CARTON, BROTHER, MFC210C FOR HK/SIN/GUL/OCE	√	
1	LF7253001	1	CARTON, BROTHER, MFC410CN FOR SIN/GUL/OCE	√	
1	LP0580001	1	CARTON, BROTHER, MFC620CN FOR SIN/GUL/OCE	√	CHG
2	LF5187001	1	PULP CUSHION ASSY, DCP110C/DCP310CN/MFC210C/MFC410C/MFC620CN		
2	LF5095001	1	PULP CUSHION ASSY, FAX2440C		

List12(PACKAGING)

3	LF5185001	1	QUICK SETUP GUIDE, DCP110C/DCP310CN FOR GER/CHE<GERMAN>	
3	LF5822001	1	QUICK SETUP GUIDE, MFC210C/MFC410CN/MFC620CN FOR GER/AUS	
3	LF7338001	1	QUICK SETUP GUIDE, FAX2440C FOR GER/AUS	
3	LF5366001	1	QUICK SETUP GUIDE, DCP110C/DCP310CN FOR UK/GNR <ENGLISH>	
3	LP0002001	1	QUICK SETUP GUIDE, DCP110C FOR GNR <CZECH/HUNGARIAN/POLISH>	add
3	LP0003001	1	QUICK SETUP GUIDE, DCP110C FOR GNR <ENGLISH/BULGARIAN/ROMANIAN>	add
3	LF5825001	1	QUICK SETUP GUIDE, MFC210C/MFC410CN/MFC620CN FOR UK/IRE	
3	LF7336001	1	QUICK SETUP GUIDE, FAX2440C FOR UK	
3	LF5369001	1	QUICK SETUP GUIDE, DCP110C/DCP310CN FOR FRA/CHE <FRENCH>	
3	LF5370001	1	QUICK SETUP GUIDE, DCP110C/DCP310CN FOR FRA <DUTCH>	
3	LF5828001	1	QUICK SETUP GUIDE, MFC210C/MFC410CN/MFC620CN FOR FRA	
3	LF7337001	1	QUICK SETUP GUIDE, FAX2440C FOR FRA	
3	LF5832001	1	QUICK SETUP GUIDE, MFC210C/MFC410CN/MFC620CN FOR BEL <DUTCH>	
3	LF5833001	1	QUICK SETUP GUIDE, MFC210C/MFC410CN/MFC620CN FOR BEL/CHE <FRENCH>	
3	LF7341001	1	QUICK SETUP GUIDE, FAX2440C FOR BEL <DUTCH>	
3	LF7342001	1	QUICK SETUP GUIDE, FAX2440C FOR BEL/CHE <FRENCH>	
3	LF5839001	1	QUICK SETUP GUIDE, MFC210C/MFC410CN/MFC620CN FOR CHE <GERMAN>	
3	LF5377001	1	QUICK SETUP GUIDE, DCP110C/DCP310CN FOR DEN/PND	
3	LF5849001	1	QUICK SETUP GUIDE, MFC210C/MFC410CN/MFC620CN FOR DEN/PND	
3	LF5857001	1	QUICK SETUP GUIDE, MFC210C/MFC410CN/MFC620CN FOR SPA	
3	LF7340001	1	QUICK SETUP GUIDE, FAX2440C FOR SPA	
3	LF5381001	1	QUICK SETUP GUIDE, DCP110C/DCP310CN FOR ITA	
3	LF5863001	1	QUICK SETUP GUIDE, MFC210C/MFC410CN/MFC620CN FOR ITA	
3	LF7339001	1	QUICK SETUP GUIDE, FAX2440C FOR ITA	
3	LF5869001	1	QUICK SETUP GUIDE, MFC210C FOR POR	
3	LF7864001	1	QUICK SETUP GUIDE, DCP110C FOR CHN	add
3	LF7844001	1	QUICK SETUP GUIDE, MFC210C/MFC410CN FOR CHN	add
3	LF5947001	1	QUICK SETUP GUIDE, DCP110C FOR SIN/GUL/OCE	
3	LF7365001	1	QUICK SETUP GUIDE, MFC210C/MFC410CN/MFC620CN FOR HK/SIN/GUL/OCE	
3	LF5387001	1	QUICK SETUP GUIDE, DCP110C FOR PND <NORWEGIAN>	
3	LF5875001	1	QUICK SETUP GUIDE, MFC210C/MFC410CN/MFC620CN FOR PND <NORWEGIAN>	
3	LF5373001	1	QUICK SETUP GUIDE, DCP110C FOR PND <SWEDISH>	
3	LF5876001	1	QUICK SETUP GUIDE, MFC210C/MFC410CN/MFC620CN FOR PND <SWEDISH>	
3	LF5374001	1	QUICK SETUP GUIDE, DCP110C FOR PND <FINNISH>	
3	LF5877001	1	QUICK SETUP GUIDE, MFC210C/MFC410CN/MFC620CN FOR PND <FINNISH>	
3	LF5392001	1	QUICK SETUP GUIDE, DCP110C FOR IBR <SPANISH>	
3	LF5393001	1	QUICK SETUP GUIDE, DCP110C/DCP310CN FOR IBR <PORTUGUESE>	
3	LF5872001	1	QUICK SETUP GUIDE, MFC210C/MFC410CN FOR GNR	
3	LP0004001	1	QUICK SETUP GUIDE, MFC210C FOR GNR <CZECH/HUNGARIAN/POLISH>	add
3	LP0005001	1	QUICK SETUP GUIDE, MFC210C FOR GNR <ENGLISH/BULGARIAN/ROMANIAN>	add
4	LF0969001	1	PE BAG 620X800H P	
5	LF5126001	1	ACCESSORIES BOX	

13. OTHERS



List13(OTHERS)

REF No.	CODE	QTY	DESCRIPTION	RECOMMEND	REMARKS
1	LK3763001	1	DUMMY CARTRIDGE, BLACK < For ink drainage >		CHG
2	LK3764001	3	DUMMY CARTRIDGE, COLOR < For ink drainage >		CHG
3	UF8263001	1	TEST CHART-027		
4	UF9258001	1	COLOR TEST CHART CTC-001		
5	UF4600001	1	CONTRAST CHART TC-023		

brother®

PL-FAX093
8CA830
Ver. X-2