



FACSIMILE EQUIPMENT

PARTS REFERENCE LIST

MODEL: MFC3420C/3820CN

**(For Germany / United Kingdom / France /
Belgium / Netherlands / Switzerland /
Ireland / Denmark / Austria / Spain / Italy /
Portugal / Hong Kong / Singapore /
Gulf / Euro Generic / Australia /
New Zealand / Finland / Norway / Sweden)**

© Copyright Brother 2003

All rights reserved

No part of this publication may be reproduced in any form or by any means without permission in writing from the publisher.

Specifications are subject to change without prior notice.

NOTES FOR USING THIS PARTS REFERENCE LIST

1. In the case of ordering parts, it needs mentioning the following items:

- (1) Code
- (2) Q' ty
- (3) Description

Note: No orders without Parts Code or Tool No. can be accepted.

[Example]

REF.NO.	CODE	Q' TY	DESCRIPTION	REMARKS

2. Design-changed parts:

When the parts are changed, any one of the following symbols is mentioned in the REMARKS column.

CNG(cng) : The part is changed to a new part.

ADD(add) : The part is newly added.

DEL(del) : The part is deleted.

Symbol in capital letters indicates that the change is the latest one in the page.

3. Parts change will be informed by the technical information.

COUNTRIES

GERMAN ---- GER

UNITED KINGDOM ---- UK

FRANCE ---- FRA

BELGIUM ---- BEL

NETHERLANDS ---- NLD

SWITZERLAND ---- CHE

IRELAND ---- IRE

DENMARK ---- DEN

AUSTRIA ---- AUS

SPAIN ---- SPA

ITALY ---- ITA

PORTUGAL ---- POR

HONG KONG ---- HK

SIN ---- SINGAPORE

GUL ---- GULF

EURO GENERIC ---- GNR

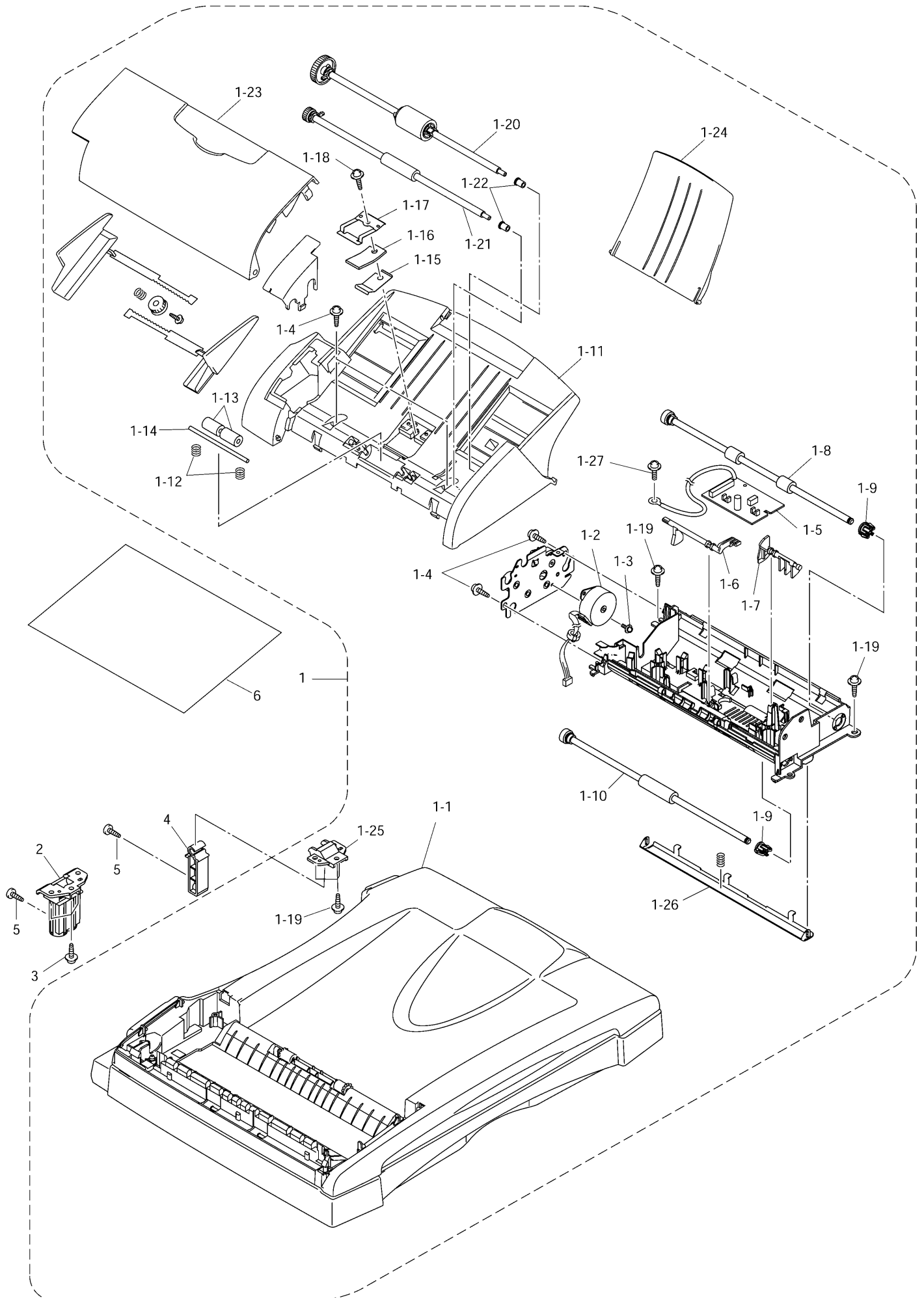
AUSTRALIA ---- ARL

NEW ZEALAND ---- NZ

FINLAND ---- FIN

NORWAY ---- NOR

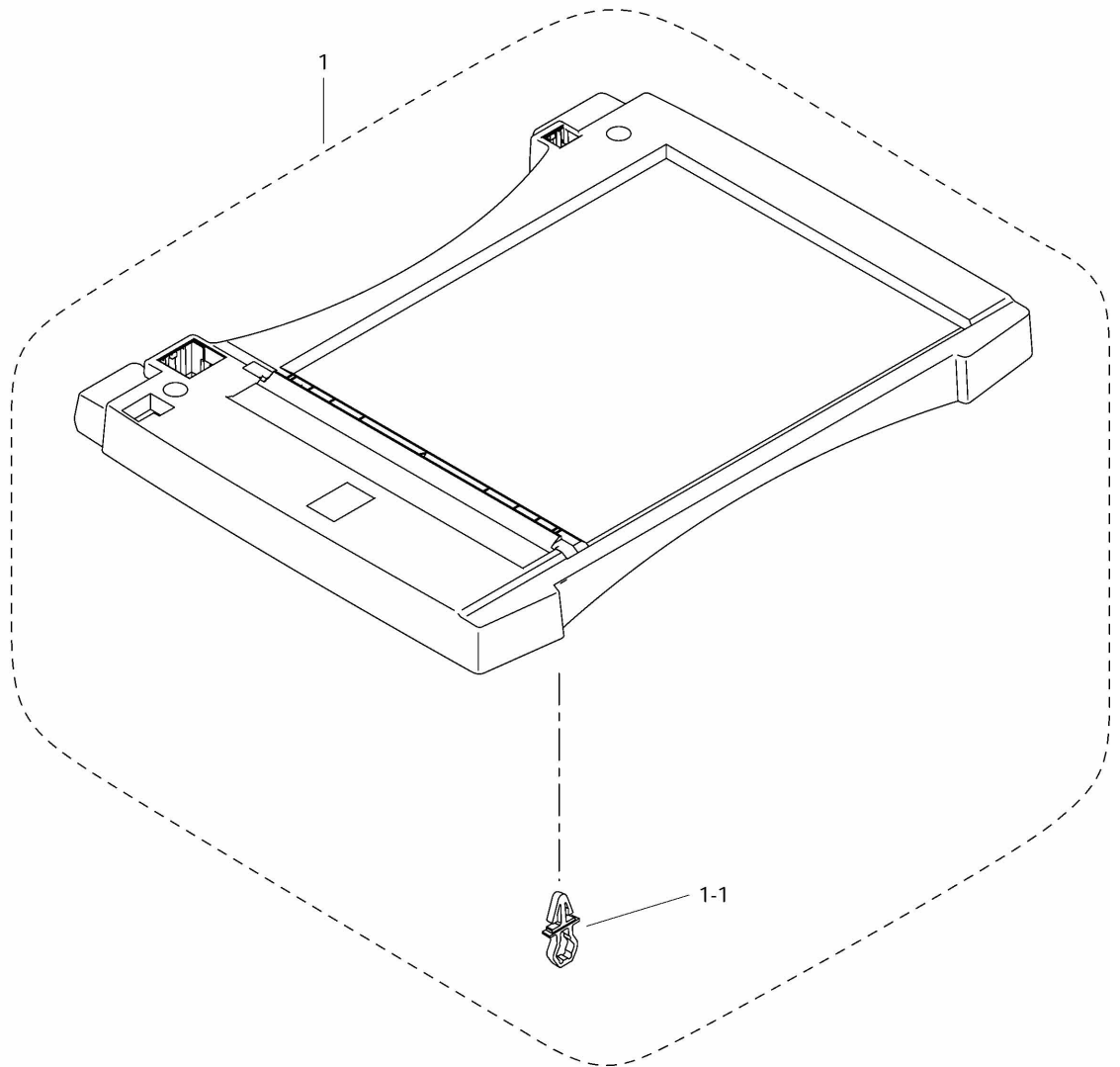
SWEDEN ---- SWE



List1(ADF)

REF No	CODE	QTY	DESCRIPTION	RECOMMEND	SYMBOL	REMARK
1	LE9729001	1	DOCUMENT COVER ASSY, MFC3420C	√		
1	LE9729003	1	DOCUMENT COVER ASSY, MFC3820CN	√		
1-1	LE9730001	1	DOCUMENT COVER SUB ASSY			
1-2	LE9743001	1	ADF MOTOR			
1-3	0A4300605	1	SCREW, PAN (S/P WASHER) M3X6			
1-4	087311016	4	TAPTITE, CUP B M3X10			
1-5	LG4738001	1	ADF PCB ASSY		B53K682	
1-6	LE9744001	1	DOCUMENT REAR SENSOR ACTUATOR			
1-7	LE9745001	1	DOCUMENT FRONT SENSOR ACTUATOR			
1-8	LE9746001	1	DOCUMENT EJECTION ROLLER ASSY			
1-9	LF4230001	2	PAWLED BUSHING			
1-10	LE9749001	1	DOCUMENT FEED ROLLER 2 ASSY			
1-11	LE9758001	1	UPPER ADF CHUTE, GRAY(1581), MFC3420C			
1-11	LE9758003	1	UPPER ADF CHUTE, GRAY(1677), MFC3820CN			
1-12	LE2472001	2	PRESSURE ROLLER SPRING			
1-13	UF9009001	2	DOCUMENT PRESSURE ROLLER			
1-14	LE2471001	1	PRESSURE ROLLER SHAFT			
1-15	UU7105001	1	SPRING PLATE B			
1-16	LE1926001	1	SEPARATION RUBBER			
1-17	LE1961001	1	SPRING PLATE A			
1-18	UF5034001	1	TAPTITE, B 3X6			
1-19	087311016	5	TAPTITE, CUP B M3X10			
1-20	LE9761001	1	SEPARATE ROLLER ASSY			
1-21	LE9766001	1	DOCUMENT FEED ROLLER 1 ASSY			
1-22	UF9949001	2	BUSHING S			
1-23	LE9770001	1	ADF COVER, GRAY(1581), MFC3420C			
1-23	LE9770003	1	ADF COVER, GRAY(1677), MFC3820CN			
1-24	LF4413001	1	ADF DOCUMENT SUPPORT, GRAY(1677)			
1-25	LE6245002	1	HINGE BASE R, GRAY(1581)			
1-26	LE9771001	1	DOCUMENT PRESSURE BAR ASSY			
1-27	087320616	1	TAPTITE, CUP S M3X6			
2	LP0018001	1	HINGE L ASSY			CHG
3	087311016	3	TAPTITE, CUP B M3X10			
4	LE6244002	1	HINGE ARM R, GRAY(1581)			
5	085411216	2	TAPTITE, BIND B M4X12			
6	UU0456001	1	PROTECTION PAPER			

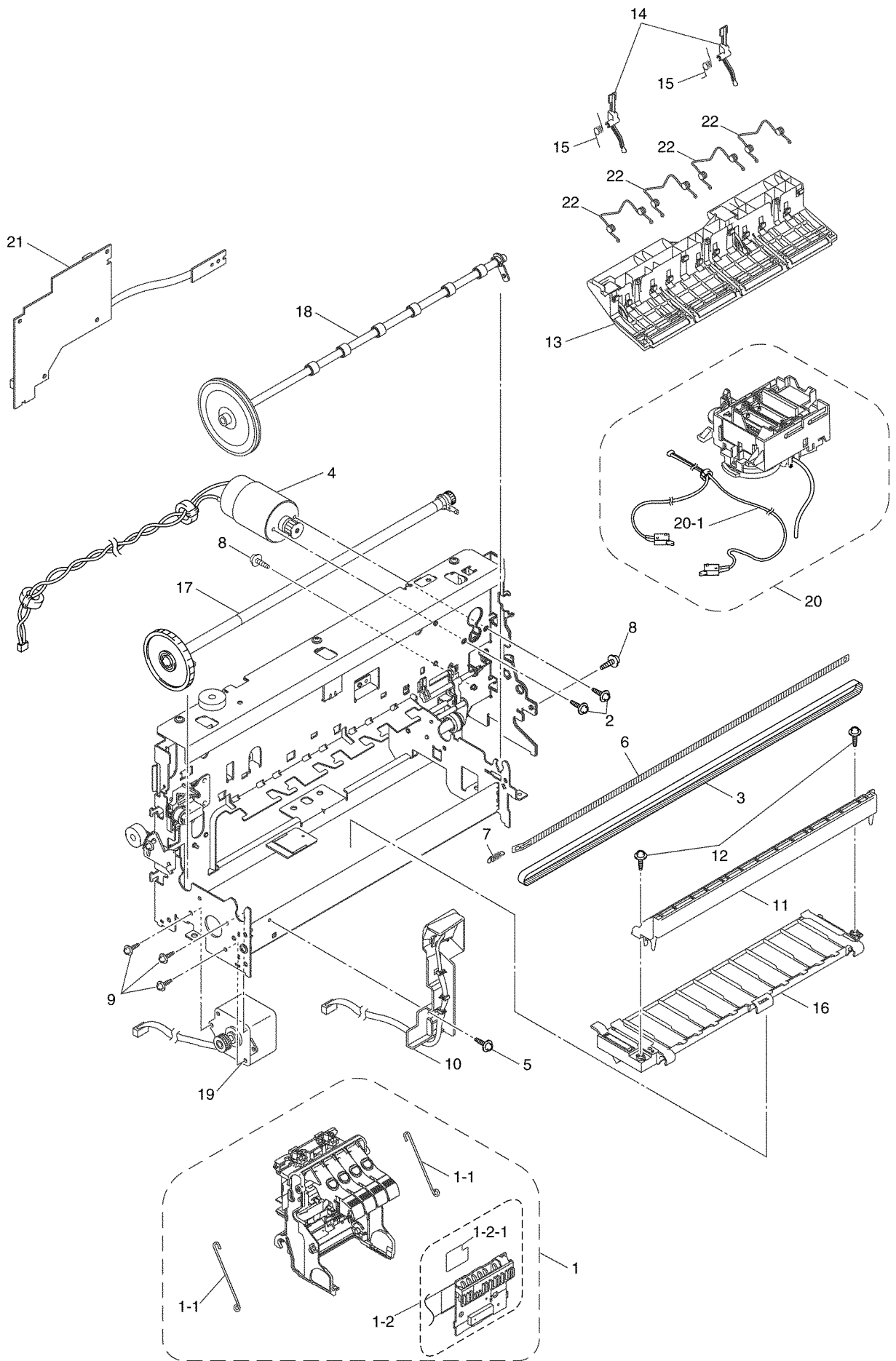
2. SCANNER



List2(SCANNER)

REF No	CODE	QTY	DESCRIPTION	RECOMMEND	REMARK
1	LF4612001	1	SCANNER UNIT(SP) EXCEPT FOR HK/SIN/GUL/ARL/NZ	√	
1	LF4415001	1	SCANNER UNIT(SP) FOR HK/SIN/GUL/ARL/NZ	√	
1-1	LF4080001	1	LOCK SUPPORT	√	ADD

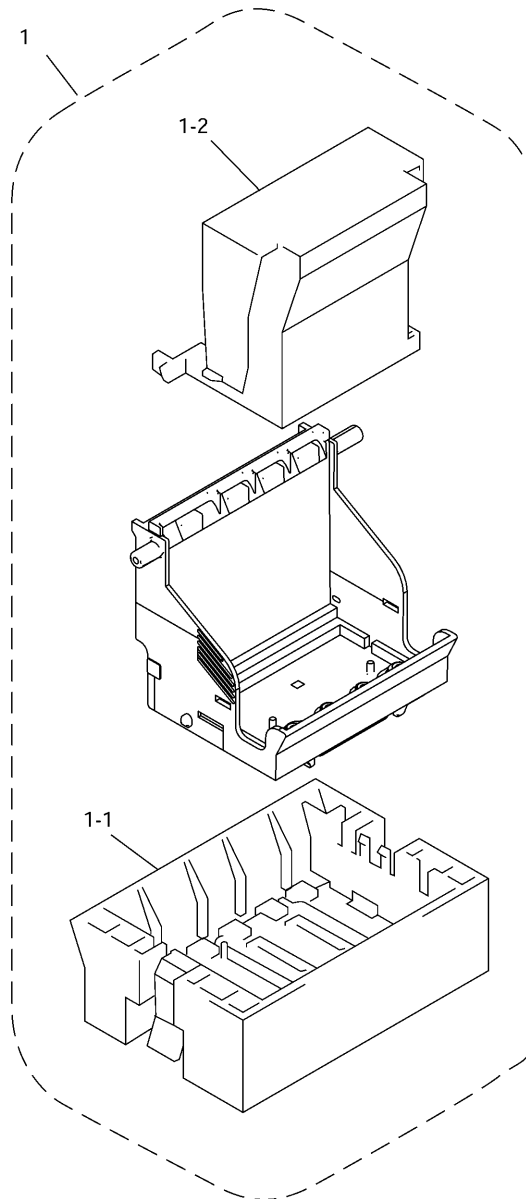
3. ENGINE



List3(ENGINE)

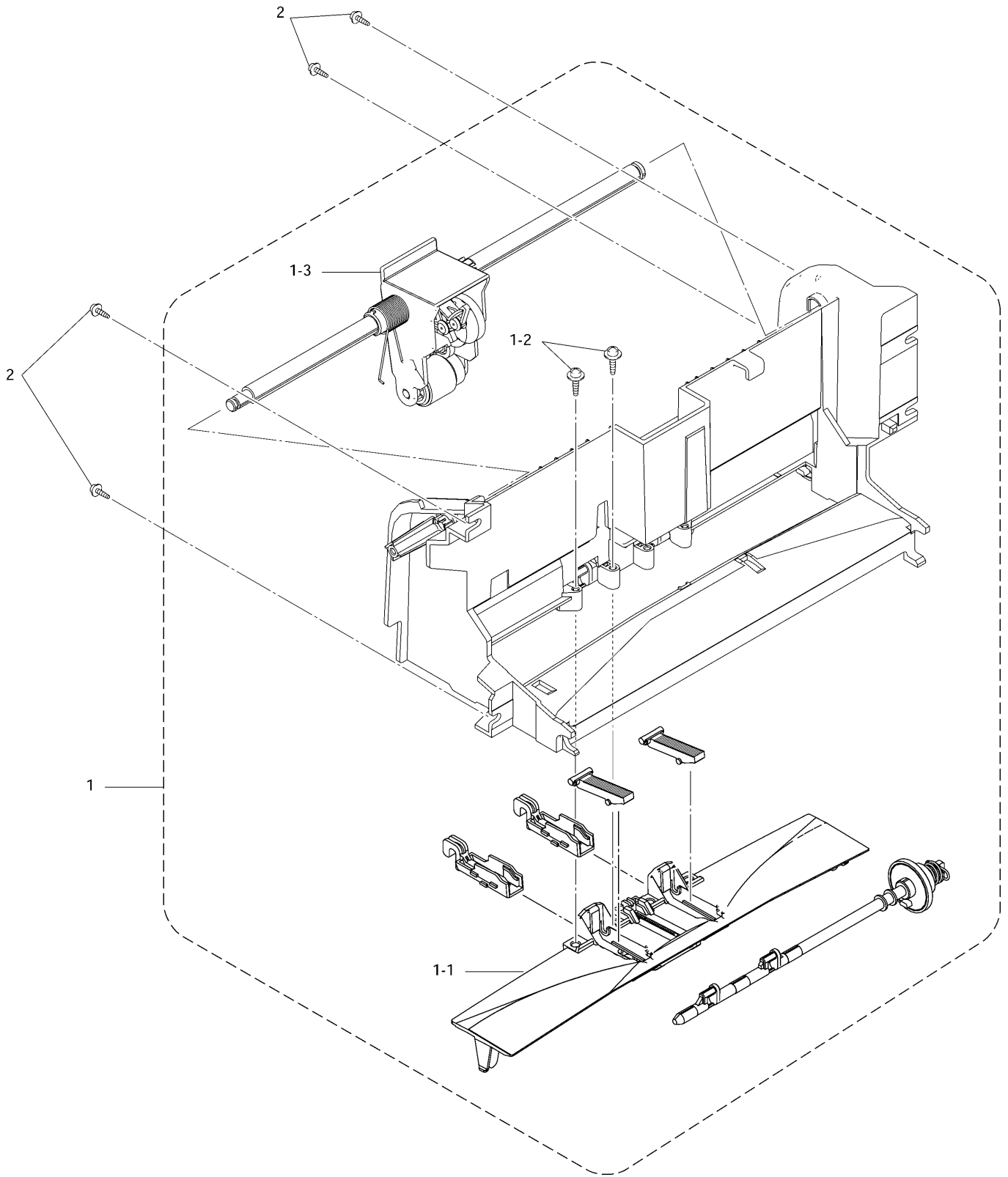
REF No	CODE	QTY	DESCRIPTION	RECOMMEND	SYMBOL	REMARK
1	LE3996001	1	CARRIAGE UNIT ASSY	√		
1-1	LE6930001	2	HEAD SETTING SPRING			
1-2	LE6935001	1	CARRIAGE PCB FILM ASSY			
1-2-1	LE6940001	1	SLIDE FILM PCB			
2	0A5300605	2	SCREW, PAN (S/P WASHER) M3X6			
3	LE6945001	1	TIMING BELT M			
4	LE6946001	1	CARRIAGE MOTOR			
5	087320616	1	TAPTITE, CUP S M3X6			
6	LE6956001	1	ENCODER STRIP			
7	LE9725001	1	ENCODER STRIP SPRING			
8	087310815	2	TAPTITE, CUP B M3X8			
9	000300505	3	SCREW, BIND M3X5			
10	LG4745001	1	INK EMPTY SENSOR PCB ASSY		B53K704	
11	LF5569001	1	STAR WHEEL SUPPORT ASSY (SP)			chg
12	LE9229001	2	TAPTITE, PAN B 3X10			
13	LE6962001	1	PAPER PRESSURE HOLDER ASSY			
14	LE6967001	2	ACTUATOR			
15	LE6968001	2	ACTUATOR SPRING			
16	LF4083001	1	PLATEN ASSY			
17	LE6974002	1	PAPER FEED ROLLER ASSY, BLUE MARK(SP)			CHG
17	LE6974003	1	PAPER FEED ROLLER ASSY, RED MARK(SP)			CHG
18	LF5567001	1	PAPER EJECTION ROLLER ASSY(SP)			chg
19	LE6985001	1	PAPER FEED MOTOR ASSY			
20	LE6988001	1	PURGE UNIT ASSY	√		
20-1	LG4678001	1	PURGE SWITCH HARNESS			
21	LG4994001	1	DRIVER PCB ASSY	√	B53K678	
22	LE6966001	4	PRESSURE ROLLER SPRING			add

4. HEAD UNIT



List4(HEAD UNIT)

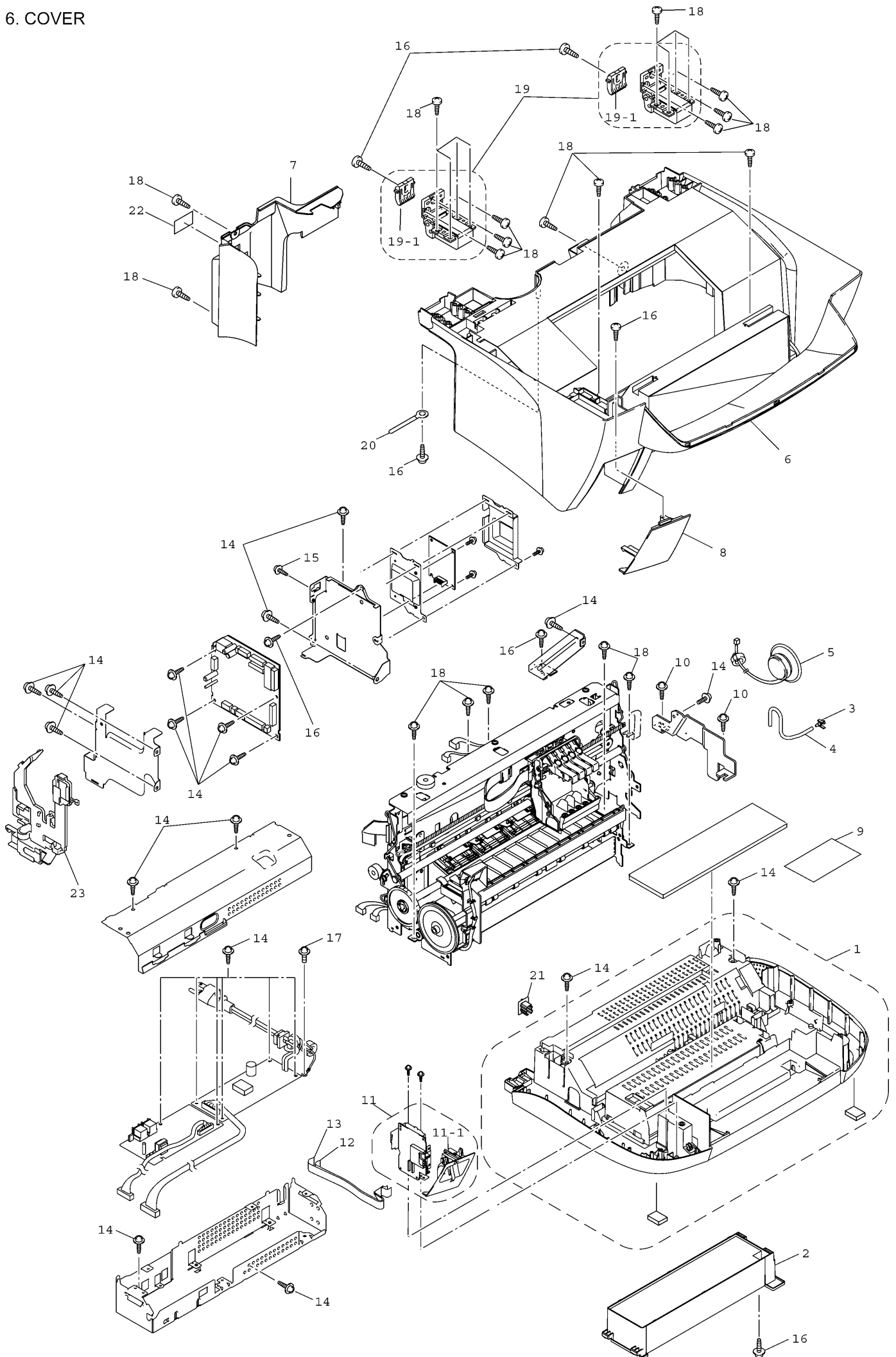
REF No	CODE	QTY	DESCRIPTION	RECOMMEND	REMARK
1	LK0935001	1	PRINT HEAD ASSY (SP)	√	
1-1	LK0516001	1	HEAD NOZZLE SEAL (SP)	√	
1-2	LK1870001	1	HEAD FILTER SEAL (SP)	√	CHG



List5(ASF)

REF No	CODE	QTY	DESCRIPTION	RECOMMEND	REMARK
1	LE9656001	1	ASF BASE ASSY, GRAY(1581)	√	
1-1	LE9658001	1	BANK ASSY		
1-2	085311015	2	SCREW, BIND B TITE 3X10		
1-3	LE9672001	1	ASF ROLLER ASSY		
2	087320616	4	TAPTITE, CUP S M3X6		

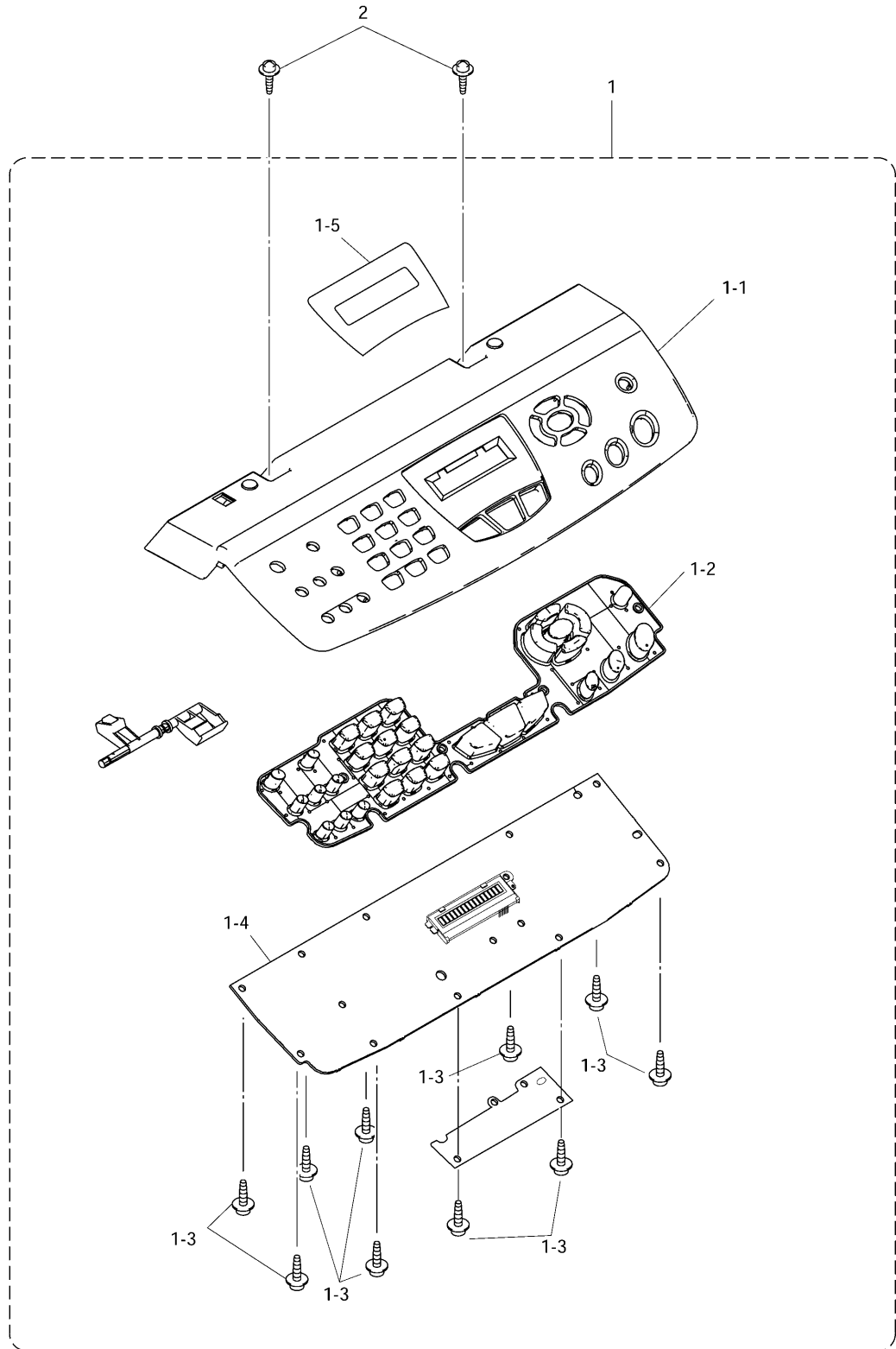
6. COVER



List6(COVER)

REF No	CODE	Q'TY	DESCRIPTION	RECOMMEND	SYMBOL	REMARK
1	LE9679001	1	LOWER COVER ASSY			
2	LE9681001	1	INK ABSORBER BOX ASSY			
3	LE9164001	1	TUBE JOINT			
4	LE9684001	1	DRAIN TUBE			
5	LG3845001	1	SPEAKER UNIT			
6	LE9829001	1	MAIN COVER, GRAY(1581)			
7	LE9830001	1	REAR COVER, GRAY(1581), MFC3420C			
7	LE9890001	1	REAR COVER, GRAY(1581), MFC3820CN			
8	LE9930001	1	FRONT COVER, MFC3420C			
9	LE9720001	1	INK REPLACE INSTRUCTION LABEL			
10	087411216	2	TAPTITE, CUP B M4X12			
11	LE9928001	1	MEDIA MODULE ASSY, MFC3820CN		B53K706	
11-1	LE9929001	1	MEDIA COVER, MFC3820CN			
12	LE9918001	1	MEDIA FFC 21P BENDING ASSY, MFC3820CN			
13	LE9919001	1	MEDIA FFC 22P BENDING ASSY, MFC3820CN			
14	087320616	23	TAPTITE, CUP S M3X6			
15	002300616	1	SCREW, PAN M3X6			
16	087311016	7	TAPTITE, CUP B M3X10			
17	UF6559001	1	SCREW, PAN (WASHER) M4X8DB			
18	085411216	24	TAPTITE, BIND B M4X12			
19	LE9815001	2	SCANNER HINGE			
19-1	LF4274001	2	HINGE STOPPER			
20	T03413001	1	COATING CLIP			
21	UF5745000	1	MJ COVER, EXT FOR GER/UK/FRA/BEL/AUS/ITA			
22	LF4475001	1	USB STICKER			
23	LF4429001	1	CORE SUPPORT			

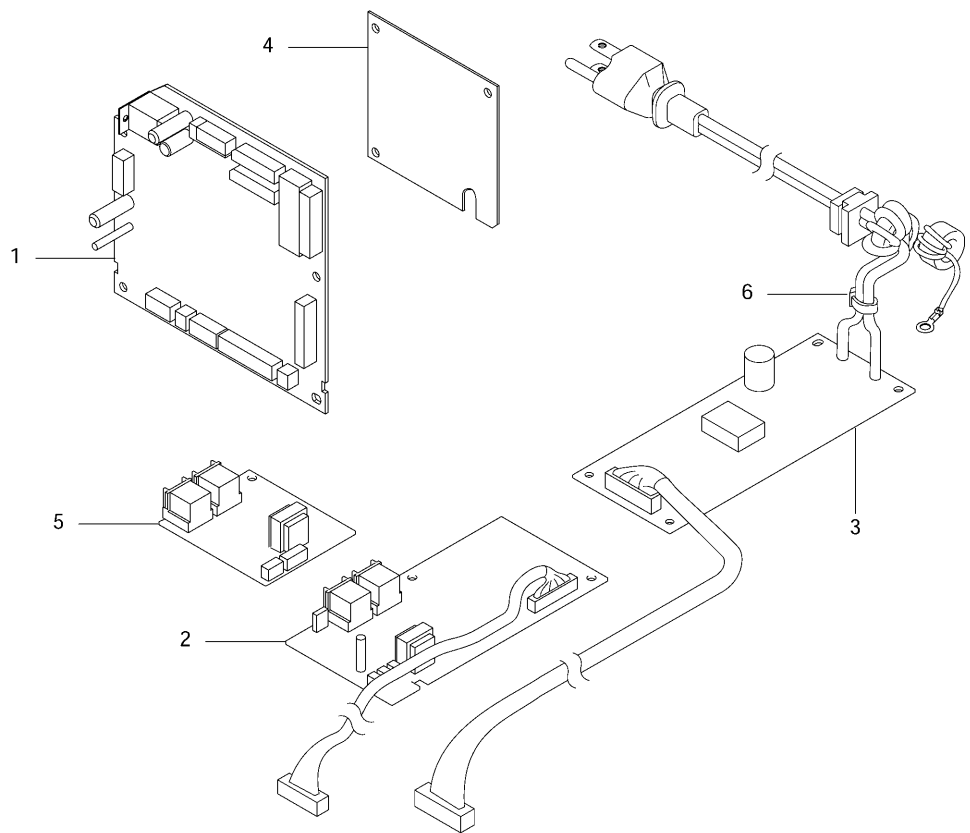
7. PANEL



List7(PANEL)

REF No	CODE	QTY	DESCRIPTION	RECOMMEND	SYMBOL	REMARK
1	LF4358001	1	CONTROL PANEL ASSY, MFC3420C FOR GER/AUS	√		
1	LF4385001	1	CONTROL PANEL ASSY, MFC3820CN FOR GER/AUS	√		
1	LF4367001	1	CONTROL PANEL ASSY, MFC3420C FOR UK/BEL/CHE/IRE/GNR	√		
1	LF4394001	1	CONTROL PANEL ASSY, MFC3820CN FOR UK/BEL/CHE/IRE/GNR	√		
1	LF4375001	1	CONTROL PANEL ASSY, MFC3420C FOR FRA	√		
1	LF4401001	1	CONTROL PANEL ASSY, MFC3820CN FOR FRA	√		
1	LF4536001	1	CONTROL PANEL ASSY, MFC3420C FOR NLD	√		
1	LF4615001	1	CONTROL PANEL ASSY, MFC3820CN FOR NLD	√		
1	LF4545001	1	CONTROL PANEL ASSY, MFC3420C FOR DEN/NOR/FIN/SWE	√		
1	LF4622001	1	CONTROL PANEL ASSY, MFC3820CN FOR DEN/NOR/FIN/SWE	√		
1	LF4457001	1	CONTROL PANEL ASSY, MFC3420C FOR SPA	√		
1	LF4467001	1	CONTROL PANEL ASSY, MFC3820CN FOR SPA	√		
1	LF4462001	1	CONTROL PANEL ASSY, MFC3420C FOR ITA	√		
1	LF4471001	1	CONTROL PANEL ASSY, MFC3820CN FOR ITA	√		
1	LF4552001	1	CONTROL PANEL ASSY, MFC3420C FOR POR	√		
1	LF4627001	1	CONTROL PANEL ASSY, MFC3820CN FOR POR	√		
1	LF4647001	1	CONTROL PANEL ASSY, MFC3420C FOR HK/SIN/GUL/ARL/NZ	√		
1	LF4658001	1	CONTROL PANEL ASSY, MFC3820CN FOR SIN/GUL/ARL/NZ	√		
1-1	LF4359001	1	PRINTED CONTROL PANEL ASSY, MFC3420C FOR GER/AUS			
1-1	LF4386001	1	PRINTED CONTROL PANEL ASSY, MFC3820CN FOR GER/AUS			
1-1	LF4368001	1	PRINTED PANEL ASSY, MFC3420C FOR UK/BEL/CHE/IRE/GNR			
1-1	LF4395001	1	PRINTED PANEL ASSY, MFC3820CN FOR UK/BEL/CHE/IRE/GNR			
1-1	LF4376001	1	PRINTED PANEL ASSY, MFC3420C FOR FRA			
1-1	LF4402001	1	PRINTED PANEL ASSY, MFC3820CN FOR FRA			
1-1	LF4537001	1	PRINTED PANEL ASSY, MFC3420C FOR NLD			
1-1	LF4616001	1	PRINTED PANEL ASSY, MFC3820CN FOR NLD			
1-1	LF4546001	1	PRINTED PANEL ASSY, MFC3420C FOR DEN/NOR/FIN/SWE			
1-1	LF4623001	1	PRINTED PANEL ASSY, MFC3820CN FOR DEN/NOR/FIN/SWE			
1-1	LF4458001	1	PRINTED PANEL ASSY, MFC3420C FOR SPA			
1-1	LF4468001	1	PRINTED PANEL ASSY, MFC3820CN FOR SPA			
1-1	LF4463001	1	PRINTED PANEL ASSY, MFC3420C FOR ITA			
1-1	LF4472001	1	PRINTED PANEL ASSY, MFC3820CN FOR ITA			
1-1	LF4553001	1	PRINTED PANEL ASSY, MFC3420C FOR POR			
1-1	LF4628001	1	PRINTED PANEL ASSY, MFC3820CN FOR POR			
1-1	LF4648001	1	PRINTED PANEL ASSY, MFC3420C FOR HK/SIN/GUL/ARL/NZ			
1-1	LF4659001	1	PRINTED PANEL ASSY, MFC3820CN FOR SIN/GUL/ARL/NZ			
1-2	LF4360001	1	RUBBER KEYPAD, MFC3420C FOR GER/AUS			
1-2	LF4387001	1	RUBBER KEYPAD, MFC3820CN FOR GER/AUS			
1-2	LE9836001	1	RUBBER KEYPAD, MFC3420C EXCEPT FOR GER/AUS			
1-2	LE9893001	1	RUBBER KEYPAD, MFC3820CN EXCEPT FOR GER/AUS			
1-3	087310815	12	TAPTITE, CUP B M3X8			
1-4	LG4828001	1	CONTROL PANEL PCB ASSY, MFC3420C		B53K681	
1-4	LG4828002	1	CONTROL PANEL PCB ASSY, MFC3820CN		B53K681	
1-5	LE9838001	1	LCD SHEET, MFC3420C			
1-5	LF4388001	1	LCD SHEET, MFC3820CN			
2	087311016	2	TAPTITE, CUP B M3X10			

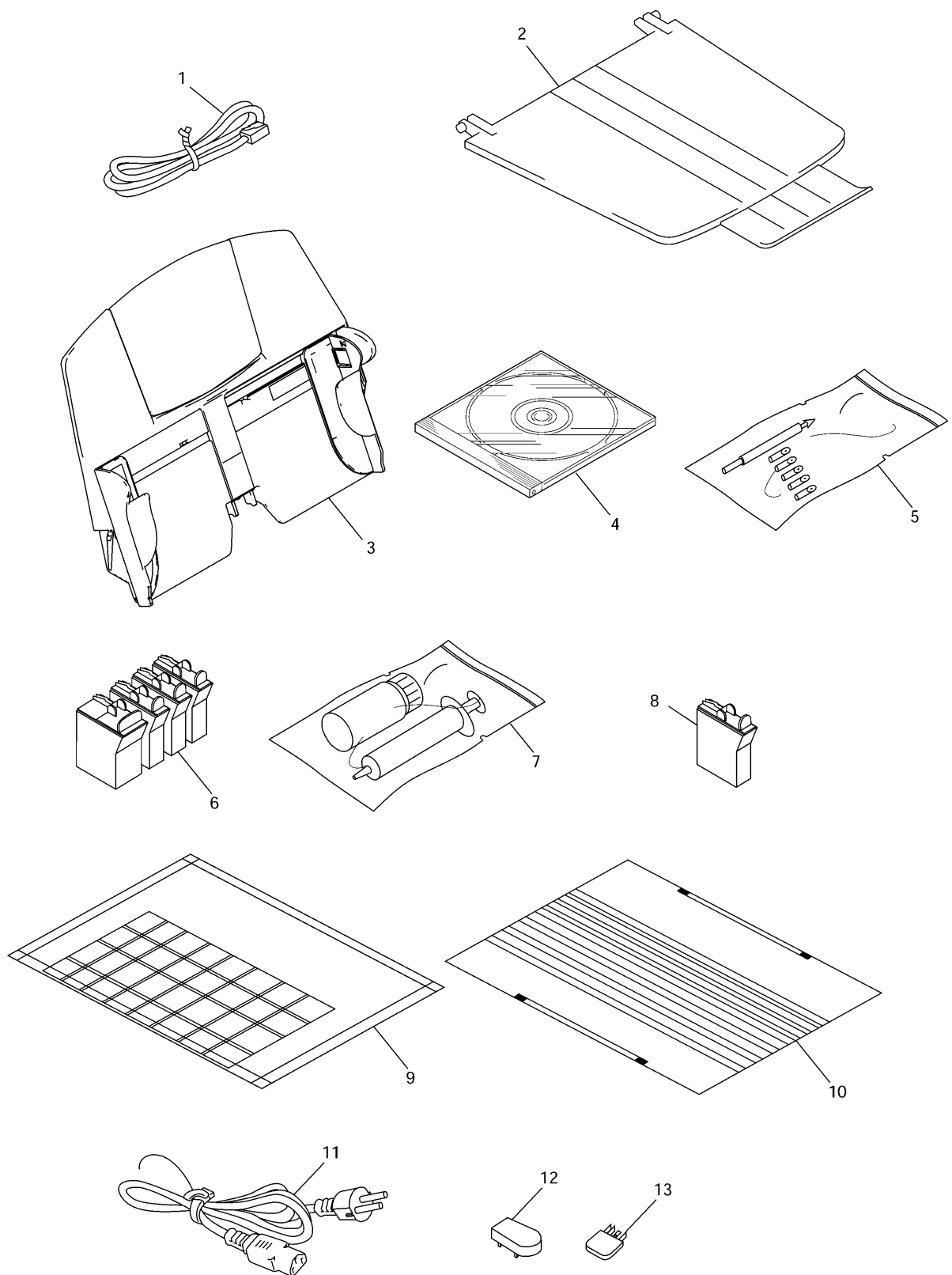
8. PCB



List8(PCB)

REF	CODE	Q'TY	DESCRIPTION	RECOMMEN	SYMBOL	REMARK
1	LG4783043	1	MAIN PCB ASSY, MFC3420C	√	B53K674	
1	LG4826043	1	MAIN PCB ASSY, MFC3820CN	√	B53K705	
2	LG4425011	1	NCU PCB ASSY, MFC3420C FOR GER/UK/FRA/BEL/NLD/CHE/ IRE/DEN/AUS/SPA/ITA/POR/NOR/FIN/SWE/GNR	√	B53K666	
2	LG4520013	1	NCU PCB ASSY, MFC3420C FOR HK/SIN/GUL	√	B53K666	
2	LG4520015	1	NCU PCB ASSY, MFC3420C FOR ARL/NZ	√	B53K666	
3	LG4817001	1	POWER SUPPLY PCB ASSY EXCEPT FOR HK/SIN/GUL (NOT INCLUDING AC CORD)	√		
3	LG4819001	1	POWER SUPPLY PCB ASSY FOR HK/SIN/GUL (NOT INCLUDING AC CORD)	√		
4	LG4808006	1	SDAA PCB ASSY, MFC3820CN FOR ARL/NZ	√	B53K710	ADD
4	LG4808001	1	SDAA PCB ASSY, MFC3820CN EXCEPT FOR ARL/NZ	√	B53K710	
5	LG4855018	1	MJ PCB ASSY, MFC3820CN EXCEPT FOR SIN/GUL/ARL/NZ	√	B53K711	CHG
5	LG4855006	1	MJ PCB ASSY, MFC3820CN FOR SIN/GUL/ARL/NZ	√	B53K711	
6	U83026000	1	WIRE TIE 100			

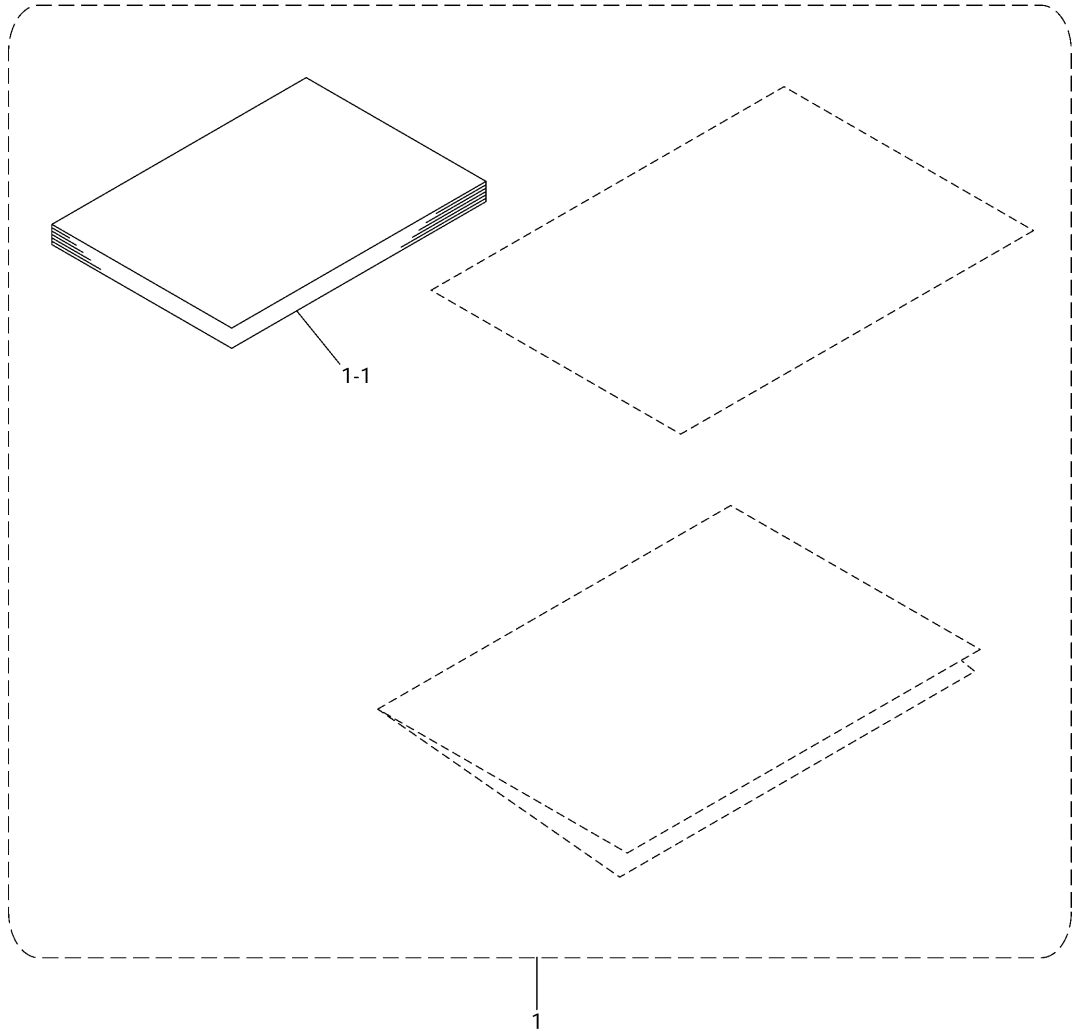
9. ACCESSORIES



List9(Accessories)

REF No	CODE	QTY	DESCRIPTION	RECOMMEND	REMARK
1	UG3625001	1	TELEPHONE LINE CORD FOR GER		
1	UG3626001	1	TELEPHONE LINE CORD FOR UK		
1	UG3627001	1	TELEPHONE LINE CORD FOR FRA		
1	LG3077001	1	TELEPHONE LINE CORD FOR NLD/IRE/SPA/POR/SIN/GUL/ARL/GNR		
1	UG3469000	1	TELEPHONE LINE CORD FOR CHE		
1	LG5827001	1	TELEPHONE LINE CORD FOR DEN/SWE/FIN/NOR		CHG
1	UG4205001	1	TELEPHONE LINE CORD FOR AUS		
1	UG3634001	1	TELEPHONE LINE CORD FOR ITA		
1	UG1575001	1	TELEPHONE LINE CORD FOR BEL		
1	UG3635001	4	TELEPHONE LINE CORD FOR SWE		DEL
1	UG3632001	4	TELEPHONE LINE CORD FOR FIN		DEL
1	UG3629001	4	TELEPHONE LINE CORD FOR NOR		DEL
1	UG3290001	1	TELEPHONE LINE CORD FOR HK/NZ		
2	LE9840001	1	OUTPUT PAPER SUPPORT ASSY, GRAY(1676)		
3	LE9843001	1	PAPER TRAY ASSY		
4	LF4154001	1	CD-ROM ASSY, MFC3420C FOR		
4	LF4177001	1	GER/UK/FRA/CHE/IRE/AUS/HK/SIN/GUL/ARL/NZ CD-ROM ASSY, MFC3820CN FOR		
4	LF4293001	1	GER/UK/FRA/CHE/IRE/AUS/SIN/GUL/ARL/NZ CD-ROM ASSY, MFC3420C FOR BEL/NLD/GNR/NOR/FIN/SWE		
4	LF4455001	1	CD-ROM ASSY, MFC3820CN FOR BEL/NLD/GNR/NOR/FIN/SWE		
4	LF4294001	1	CD-ROM ASSY, MFC3420C FOR DEN/NOR/FIN/SWE		
4	LF4456001	1	CD-ROM ASSY, MFC3820CN FOR DEN/NOR/FIN/SWE		
4	LF4292001	1	CD-ROM ASSY, MFC3420C FOR SPA/ITA/POR		
4	LF4419001	1	CD-ROM ASSY, MFC3820CN FOR SPA/ITA/POR		
4	LF4155001	1	CD-ROM ASSY BHL2EUR, MAC, MFC3420C FOR		
4	LF4476001	1	GER/UK/FRA/CHE/IRE/AUS/HK/SIN/GUL/ARL/NZ/GNR CD-ROM ASSY BHL2EUR, MAC, MFC3820CN FOR		
4	LF4450001	1	GER/UK/FRA/CHE/IRE/AUS/SPA/ITA/SIN/GUL/ARL/NZ/GNR CD-ROM ASSY BHL2EUR, MAC, MFC3420C FOR		
4	LF4451001	1	BEL/NLD/DEN/SPA/ITA/POR/NOR/FIN/SWE CD-ROM ASSY BHL2EUR, MAC, MFC3820CN FOR		
5	ZA0310001	1	BEL/NLD/DEN/POR/NOR/FIN/SWE HEAD CLEANER STICK ASSY	√	
6	LK1103001	1	IL CARTRIDGE LC31	√	
7	LK0504001	1	GLYCEROL CLEAN FLUID BH	√	
8	LF4005001	1	FORM EMPTY CARTRIDGE BHL2 UNIT	√	
9	UF9258001	1	COLOR TEST CHART CTC-001		
10	UF8263001	1	TEST CHART-027		
11	LG5717001	1	AC CORD BAG ASSY, VDE FOR		chg
11	LG5692001	1	GER/FRA/BEL/NLD/AUS/SPA/ITA/POR/GUL/GNR/NOR/FIN/SWE AC CORD BAG ASSY FOR UK/HK/IRE/SIN		chg
11	LJ9667001	1	AC CORD BAG ASSY, SAA FOR ARL/NZ		chg
12	LG3622001	1	TELEPHONE PLUG FOR NLD		
12	LG5828001	1	TELEPHONE PLUG FOR DEN		ADD
12	LG5829001	1	TELEPHONE PLUG FOR FIN		ADD
12	LG5830001	1	TELEPHONE PLUG FOR SWE		ADD
13	LG3509001	1	TELEPHONE PLUG FOR ARL/NZ		

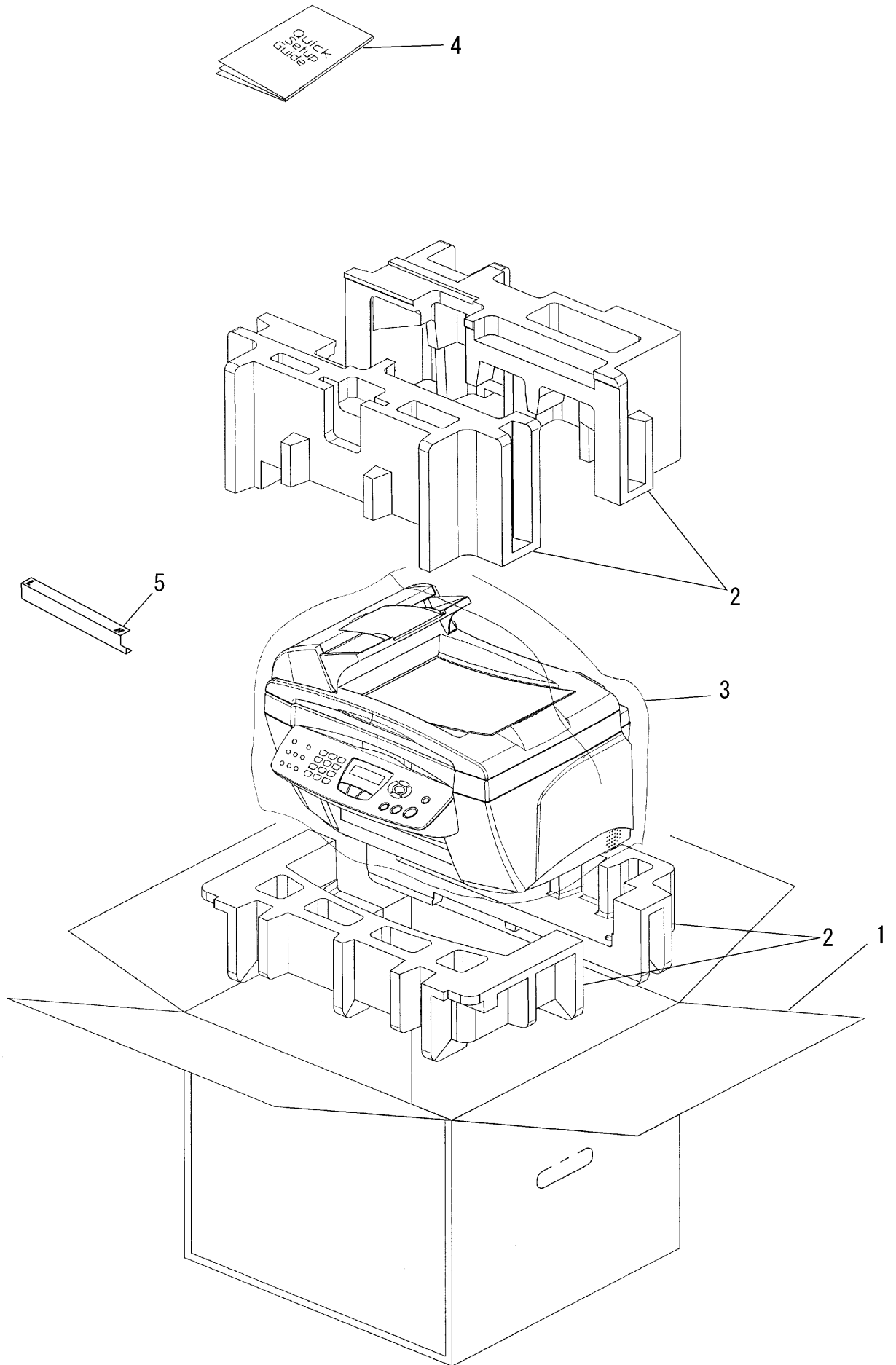
10. PRINTED MATTER



List10(PRINTED MATTER)

REF No	CODE	QTY	DESCRIPTION	RECOMMEND	REMARK
1	LF4361003	1	USER'S GUIDE ASSY FOR GER	√	
1	LF4369004	1	USER'S GUIDE ASSY FOR UK	√	
1	LF4377005	1	USER'S GUIDE ASSY FOR FRA	√	
1	LF4533008	1	USER'S GUIDE ASSY FOR BEL	√	
1	LF4538009	1	USER'S GUIDE ASSY FOR NLD	√	
1	LF4479008	1	USER'S GUIDE ASSY FOR CHE	√	
1	LF4543011	1	USER'S GUIDE ASSY FOR IRE	√	
1	LF4547013	1	USER'S GUIDE ASSY FOR DEN	√	
1	LF4550014	1	USER'S GUIDE ASSY FOR AUS	√	
1	LF4459015	1	USER'S GUIDE ASSY FOR SPA	√	
1	LF4464016	1	USER'S GUIDE ASSY FOR ITA	√	
1	LF4554018	1	USER'S GUIDE ASSY FOR POR	√	
1	LF4557054	1	USER'S GUIDE ASSY FOR GNR	√	
1	LF4560057	1	USER'S GUIDE ASSY FOR NOR/FIN/SWE	√	
1	LF4649028	1	USER'S GUIDE ASSY FOR HK	√	
1	LF4655040	1	USER'S GUIDE ASSY FOR ARL/NZ, MFC3420C FOR SIN/GUL	√	
1	LF5078040	1	USER'S GUIDE ASSY, MFC3820CN FOR SIN/GUL	√	ADD
1-1	LF4345003	1	USER'S GUIDE FOR GER/AUS		
1-1	LF4345004	1	USER'S GUIDE FOR UK/IRE/GNR/NOR/FIN/SWE		
1-1	LF4345005	1	USER'S GUIDE FOR FRA		
1-1	LF4345008	1	USER'S GUIDE FOR BEL <FRENCH>		
1-1	LF4479008	1	USER'S GUIDE FOR BEL/CHE <DUTCH>		
1-1	LF4345009	1	USER'S GUIDE FOR NLD		
1-1	LF4345010	1	USER'S GUIDE FOR CHE <GERMAN>		
1-1	LF4345013	1	USER'S GUIDE FOR DEN		
1-1	LF4345015	1	USER'S GUIDE FOR SPA		
1-1	LF4345016	1	USER'S GUIDE FOR ITA		
1-1	LF4345018	1	USER'S GUIDE FOR POR		
1-1	LF4650001	1	USER'S GUIDE FOR HK/SIN/GUL/ARL/NZ		

11. PACKING MATERIALS



List11(PACKING MATERIALS)

REF No	CODE	QTY	DESCRIPTION	RECOMMEND	REMARK
1	LF4362001	1	CARTON, BROTHER, MFC3420C FOR GER	√	
1	LF4389001	1	CARTON, BROTHER, MFC3820CN FOR GER	√	
1	LF4370001	1	CARTON, BROTHER, MFC3420C FOR UK	√	
1	LF4396001	1	CARTON, BROTHER, MFC3820CN FOR UK	√	
1	LF4378001	1	CARTON, BROTHER, MFC3420C FOR FRA	√	
1	LF4403001	1	CARTON, BROTHER, MFC3820CN FOR FRA	√	
1	LF4364001	1	CARTON, BROTHER, MFC3420C FOR BEL/NLD/CHE/IRE/DEN/AUS/SPA/ITA/POR/GNR/NOR/FIN/SWE	√	
1	LF4391001	1	CARTON, BROTHER, MFC3820CN FOR BEL/NLD/CHE/IRE/DEN/AUS/SPA/ITA/POR/GNR/NOR/FIN/SWE	√	
1	LF4651001	1	CARTON, BROTHER, MFC3420C FOR HK/SIN/GUL/ARL/NZ	√	
1	LF4660001	1	CARTON, BROTHER, MFC3820CN FOR SIN/GUL/ARL/NZ	√	
2	LE9850001	1	BODY POLYSTYRENE FOAM ASSY		
3	LJ0763001	1	BAG, 1000X1000H		
4	LF4366001	1	QUICK SETUP GUIDE, MFC3420C FOR GER/AUS		
4	LF4393001	1	QUICK SETUP GUIDE, MFC3820CN FOR GER/AUS		
4	LF4374001	1	QUICK SETUP GUIDE, MFC3420C FOR UK/IRE		
4	LF4400001	1	QUICK SETUP GUIDE, MFC3820CN FOR UK/IRE		
4	LF4562001	1	QUICK SETUP GUIDE, MFC3420C FOR NOR/FIN/SWE<ENGLISH>		
4	LF4634001	1	QUICK SETUP GUIDE, MFC3820CN FOR NOR/FIN/SWE<ENGLISH>		
4	LF4381001	1	QUICK SETUP GUIDE, MFC3420C FOR FRA		
4	LF4406001	1	QUICK SETUP GUIDE, MFC3820CN FOR FRA		
4	LF4540001	1	QUICK SETUP GUIDE, MFC3420C FOR NLD		
4	LF4618001	1	QUICK SETUP GUIDE, MFC3820CN FOR NLD		
4	LF4549001	1	QUICK SETUP GUIDE, MFC3420C FOR DEN/NOR/FIN/SWE		
4	LF4625001	1	QUICK SETUP GUIDE, MFC3820CN FOR DEN/NOR/FIN/SWE <DANISH>		
4	LF4461001	1	QUICK SETUP GUIDE, MFC3420C FOR SPA		
4	LF4470001	1	QUICK SETUP GUIDE, MFC3820CN FOR SPA		
4	LF4466001	1	QUICK SETUP GUIDE, MFC3420C FOR ITA		
4	LF4474001	1	QUICK SETUP GUIDE, MFC3820CN FOR ITA		
4	LF4556001	1	QUICK SETUP GUIDE, MFC3420C FOR POR		
4	LF4630001	1	QUICK SETUP GUIDE, MFC3820CN FOR POR		
4	LF4559001	1	QUICK SETUP GUIDE, MFC3420C FOR GNR		
4	LF4632001	1	QUICK SETUP GUIDE, MFC3820CN FOR GNR		
4	LF4563001	1	QUICK SETUP GUIDE, MFC3420C FOR NOR		
4	LF4635001	1	QUICK SETUP GUIDE, MFC3820CN FOR NOR		
4	LF4564001	1	QUICK SETUP GUIDE, MFC3420C FOR SWE		
4	LF4636001	1	QUICK SETUP GUIDE, MFC3820CN FOR SWE		
4	LF4565001	1	QUICK SETUP GUIDE, MFC3420C FOR FIN		
4	LF4637001	1	QUICK SETUP GUIDE, MFC3820CN FOR FIN		
4	LF4535001	1	QUICK SETUP GUIDE, MFC3420C FOR BEL<DUTCH>		
4	LF4613001	1	QUICK SETUP GUIDE, MFC3820CN FOR BEL<DUTCH>		
4	LF4481001	1	QUICK SETUP GUIDE, MFC3420C FOR BEL/CHE<FRENCH>		
4	LF4614001	1	QUICK SETUP GUIDE, MFC3820CN FOR BEL/CHE<FRENCH>		
4	LF4480001	1	QUICK SETUP GUIDE, MFC3420C FOR CHE		
4	LF4620001	1	QUICK SETUP GUIDE, MFC3820CN FOR CHE		
4	LF4654001	1	QUICK SETUP GUIDE, MFC3420C FOR HK/SIN/GUL/ARL/NZ		
4	LF4663001	1	QUICK SETUP GUIDE, MFC3820CN FOR SIN/GUL/ARL/NZ		
5	LF4143001	1	CARRIAGE STOPPER		

brother®

PL-FAX067
8CA741
Ver. L-1