



**FACSIMILE EQUIPMENT  
PARTS REFERENCE LIST**

**MODEL: MFC4420C / 4820C**  
**(For U.S.A / Canada )**

© Copyright Brother 2003

All rights reserved

No part of this publication may be reproduced in any form or by any means without permission in writing from the publisher.

Specifications are subject to change without prior notice.

## NOTES FOR USING THIS PARTS REFERENCE LIST

1. In the case of ordering parts, it needs mentioning the following items:

- (1) Code
- (2) Q' ty
- (3) Description

Note: No orders without Parts Code or Tool No. can be accepted.

[Example]

	(1)	(2)	(3)	
REF.NO.	CODE	Q' TY	DESCRIPTION	REMARKS

2. Design-changed parts:

When the parts are changed, any one of the following symbols is mentioned in the REMARKS column.

CNG(cng) : The part is changed to a new part.

ADD(add) : The part is newly added.

DEL(del) : The part is deleted.

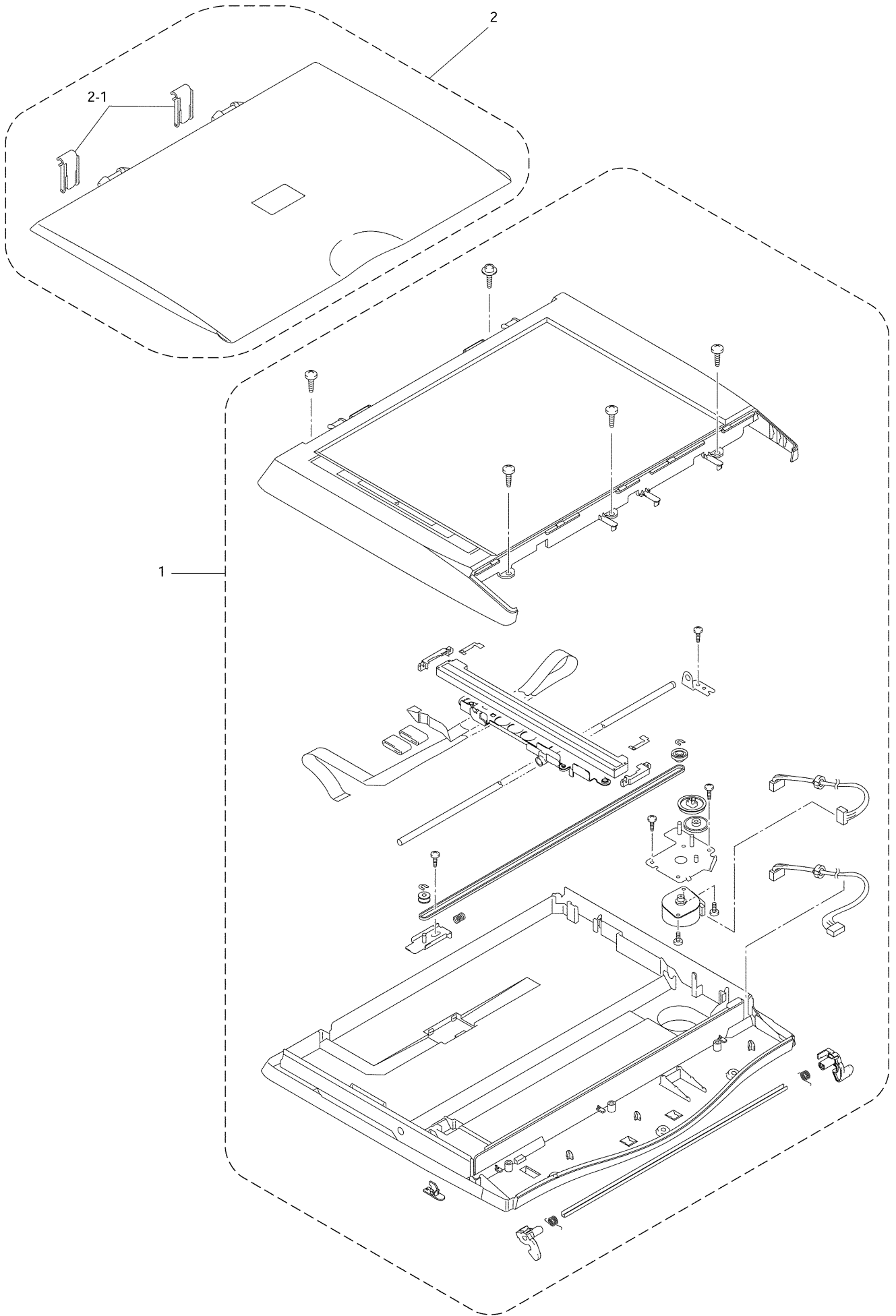
Symbol in capital letters indicates that the change is the latest one in the page.

3. Parts change will be informed by the technical information.

### COUNTRIES

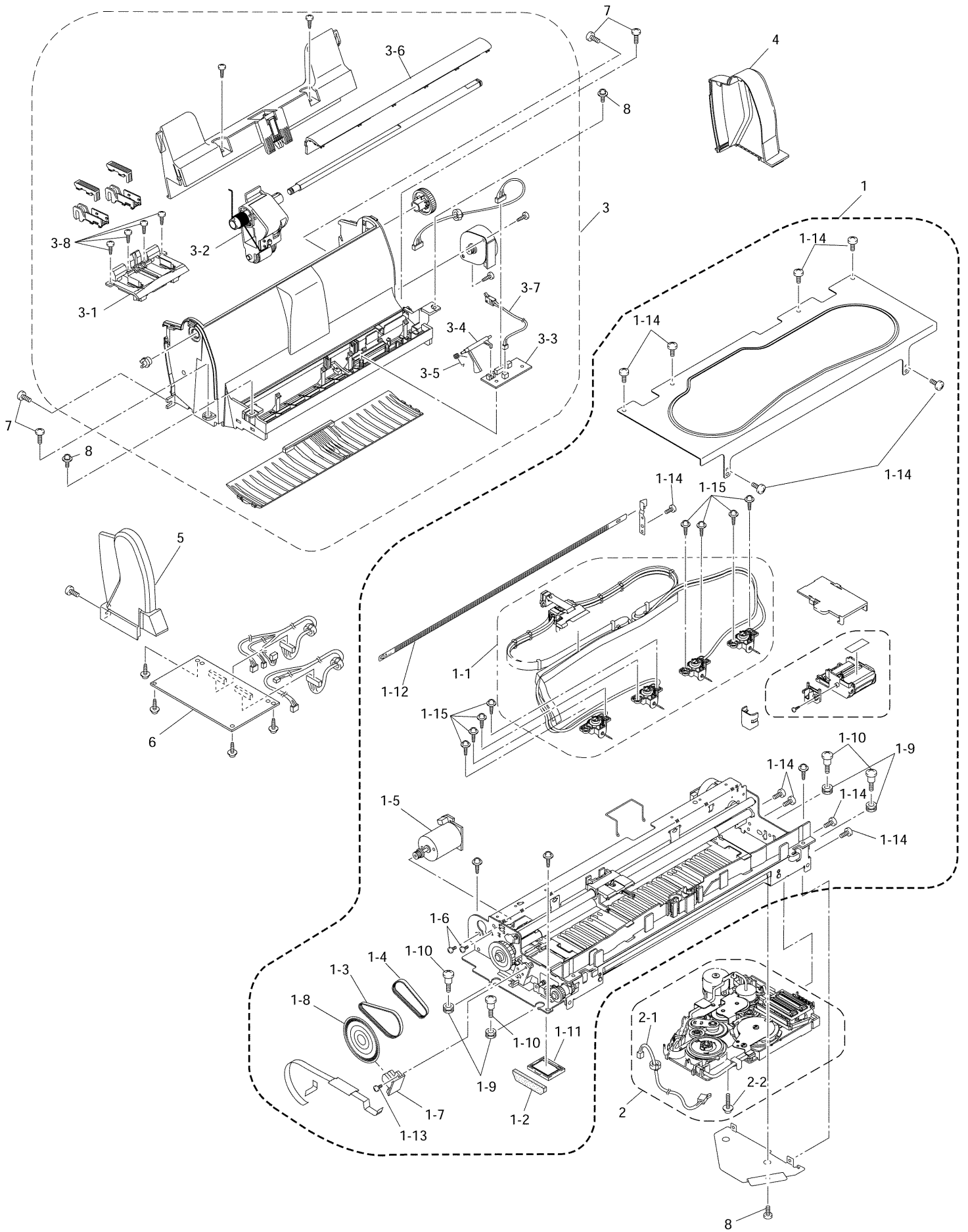
U.S.A. ----- US

CANADA ----- CAN



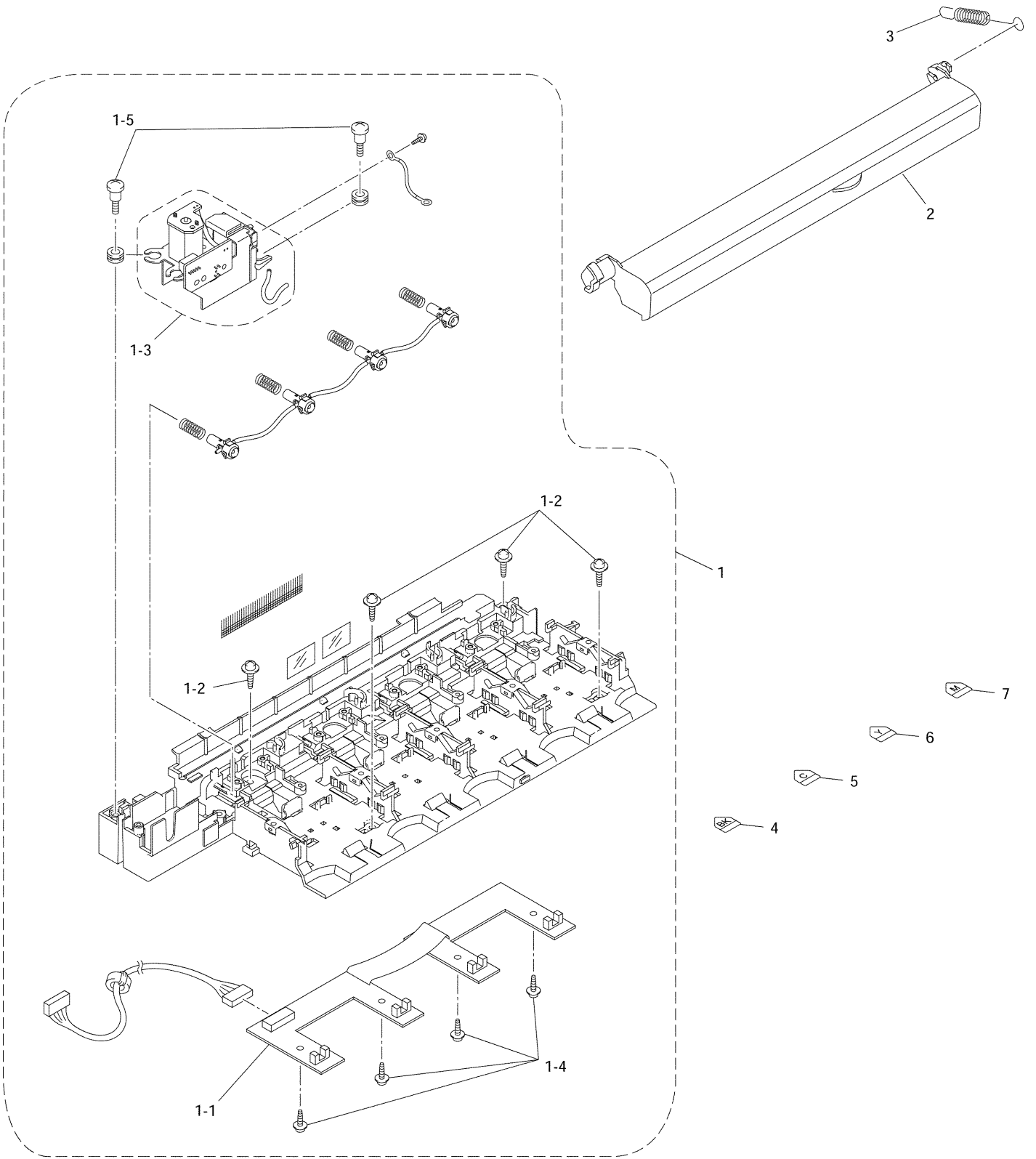
## List1(SCANNER)

REF No.	CODE	QTY	DESCRIPTION	RECOMMEND	REMARK
1	LF0591001	1	MINI FB UNIT SUPPLY ASSY, MFC4820C	√	
1	LF0590001	1	MINI FB UNIT SUPPLY ASSY, MFC4420C	√	
2	LF0473002	1	DOCUMENT COVER ASSY, MFC4820C		
2	LF0473001	1	DOCUMENT COVER ASSY, MFC4420C		
2-1	LF0062001	2	HINGE ARM, GRAY(1581)		



## List2(ENGINE)

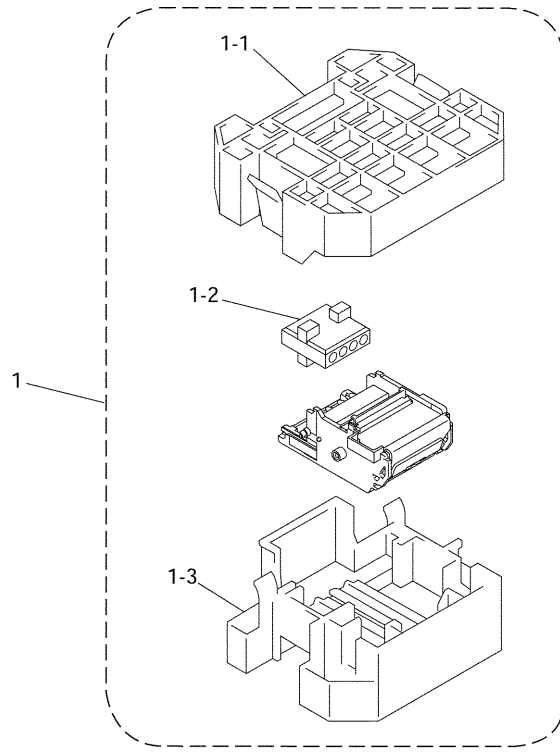
REF No.	CODE	QTY	DESCRIPTION	RECOMMEND	REMARK
1	LF0586001	1	ENGINE SUPPLY ASSY		
1-1	LF0580001	1	NEEDLE TUBE SUPPLY ASSY		
1-2	LF0551001	1	HEAD CLEANING FOAM		
1-3	LF0152001	1	BELT160.5		
1-4	LF0153001	1	BELT135		
1-5	LF0157001	1	LF MOTOR ALL ASSY		
1-6	000300305	2	SCREW, BIND M3X3		
1-7	LG4059001	1	LF ENCODER PCB ASSY	√	B53K639-* 01
1-8	LF0243001	1	ROTARY ENCODER	√	
1-9	LF0244001	4	GROMMET 6X5		
1-10	LF0245001	4	SHOULDER SCREW 4X10		
1-11	LF0558001	1	FLUSHING FOAM COVER ASSY		
1-12	LF0147001	1	ENCODER STRIP		
1-13	085270515	1	TAPTITE, BIND B M2.6X5		
1-14	000260405	11	SCREW, BIND M2.6X4		
1-15	085310815	8	TAPTITE, BIND B M3X8		
2	LF0929001	1	MAINTENANCE SUPPLY ASSY		CHG
2-1	LG4581001	1	PURGE HARNESS MINIFB FT2		
2-2	0A4260605	1	SCREW, PAN(S/P WASHER) M2.6X6		
3	LF0209001	1	ASF BASE ASSY		
3-1	LF0357001	1	CENTER BASE FLAP ASSY		
3-2	LF0233001	1	GEAR HOLDER ASSY		
3-3	LG4057001	1	SENSOR PCB ASSY		B53K634-* 01
3-4	LF0235001	1	ACTUATOR REJI		
3-5	LF0236001	1	SPRING, ACTUATOR REJI		
3-6	LF0237001	1	SHIELD COVER		
3-7	LG4004001	1	PAPER HARNESS MINIFB		
3-8	085270815	4	TAPTITE, BIND B M2.6X8		
4	LF0239001	1	ASF COVER R, GRAY(1623)		
5	LF0238001	1	ASF COVER L, GRAY(1623)		
6	LG4063001	1	DRIVER PCB ASSY	√	B53K638-* 01
7	085411215	4	SCREW, BIND B TITE 4X12		
8	000260405	3	SCREW, BIND M2.6X4		





## List3(CARTRIDGE CASE)

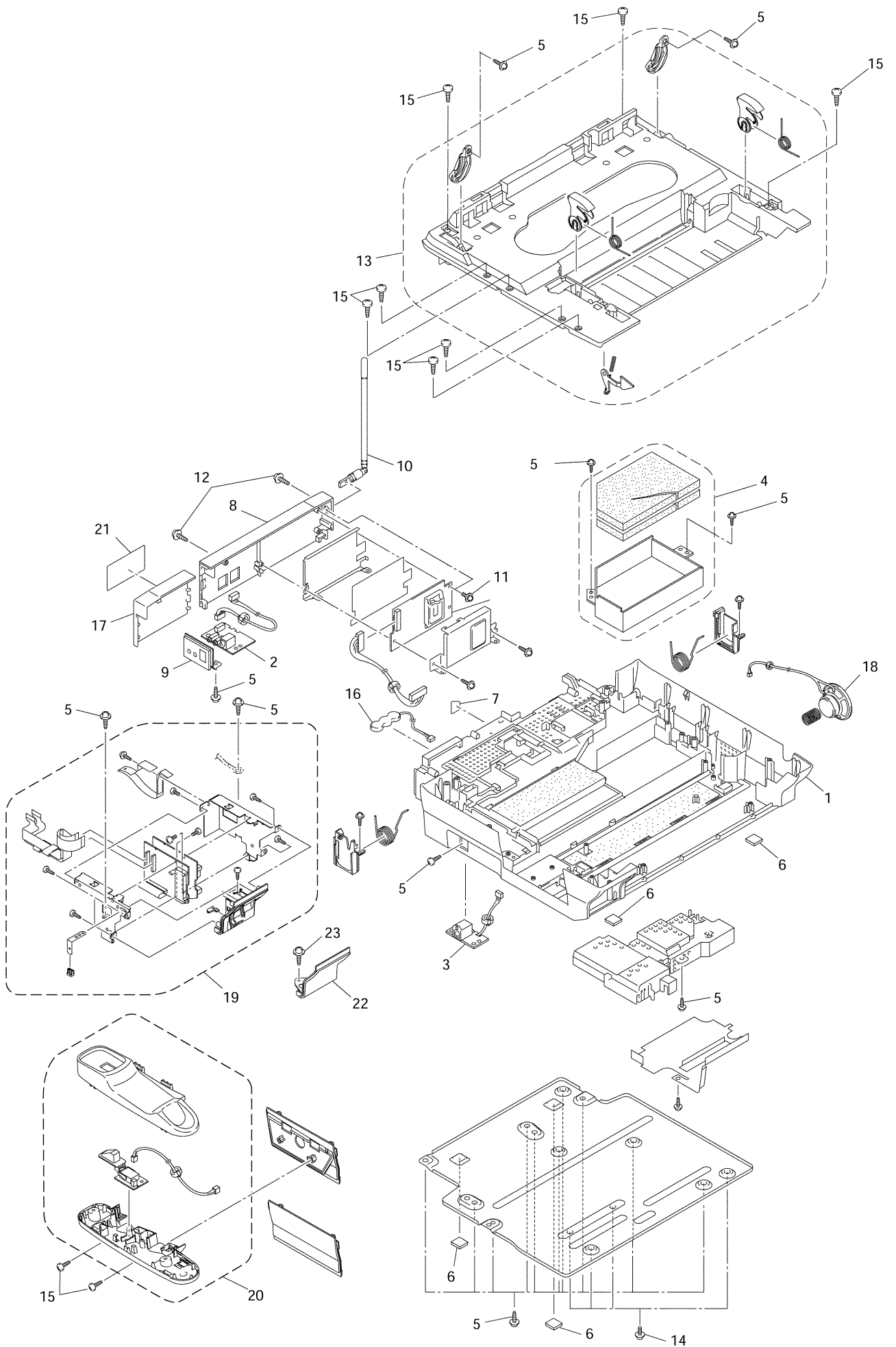
REF No.	CODE	QTY	DESCRIPTION	RECOMMEND	REMARK
1	LF0247001	1	BOTTOM CASE ASSY		
1-1	LG4068001	1	CARTRIDGE PCB ASSY		B53K637-* 01
1-2	087310615	4	TAPTITE, CUP B M3X6		
1-3	LF0261001	1	AIR PUMP ASSY		
1-4	087310615	4	TAPTITE, CUP B M3X6		
1-5	LF0245001	2	SHOULDER SCREW 4X10		
2	LF0281001	1	FRONT COVER, GRAY(1623)		
3	LF0421001	1	FRONT COVER SPRING		
4	LF0476001	1	CONSUMPTION LABEL LC25BK		
5	LF0477001	1	CONSUMPTION LABEL LC25C		
6	LF0478001	1	CONSUMPTION LABEL LC25Y		
7	LF0479001	1	CONSUMPTION LABEL LC25M		



8CA602/8CA605/8CA651/8CA653

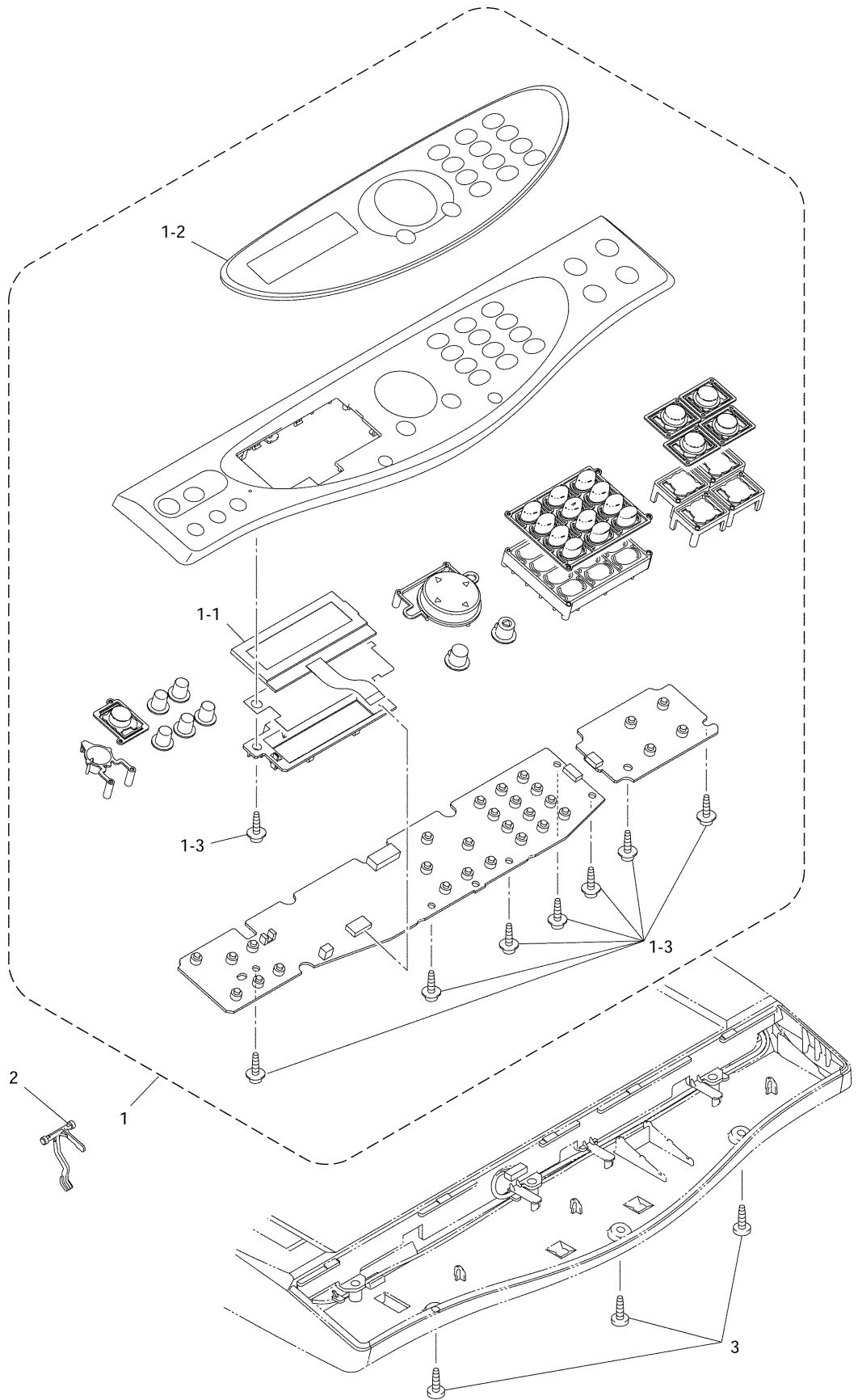
## List4(HEAD)

REF No.	CODE	QTY	DESCRIPTION	RECOMMEND	REMARK
1	LK0877001	1	PRINT HEAD UNIT MINI		
1-1	LK0825001	1	NOZZLE PROTECTOR MINI UPPER		
1-2	LK0749001	1	AIR BUFFER CAP		
1-3	LK0747001	1	NOZZLE PROTECTOR ASSY MINI		



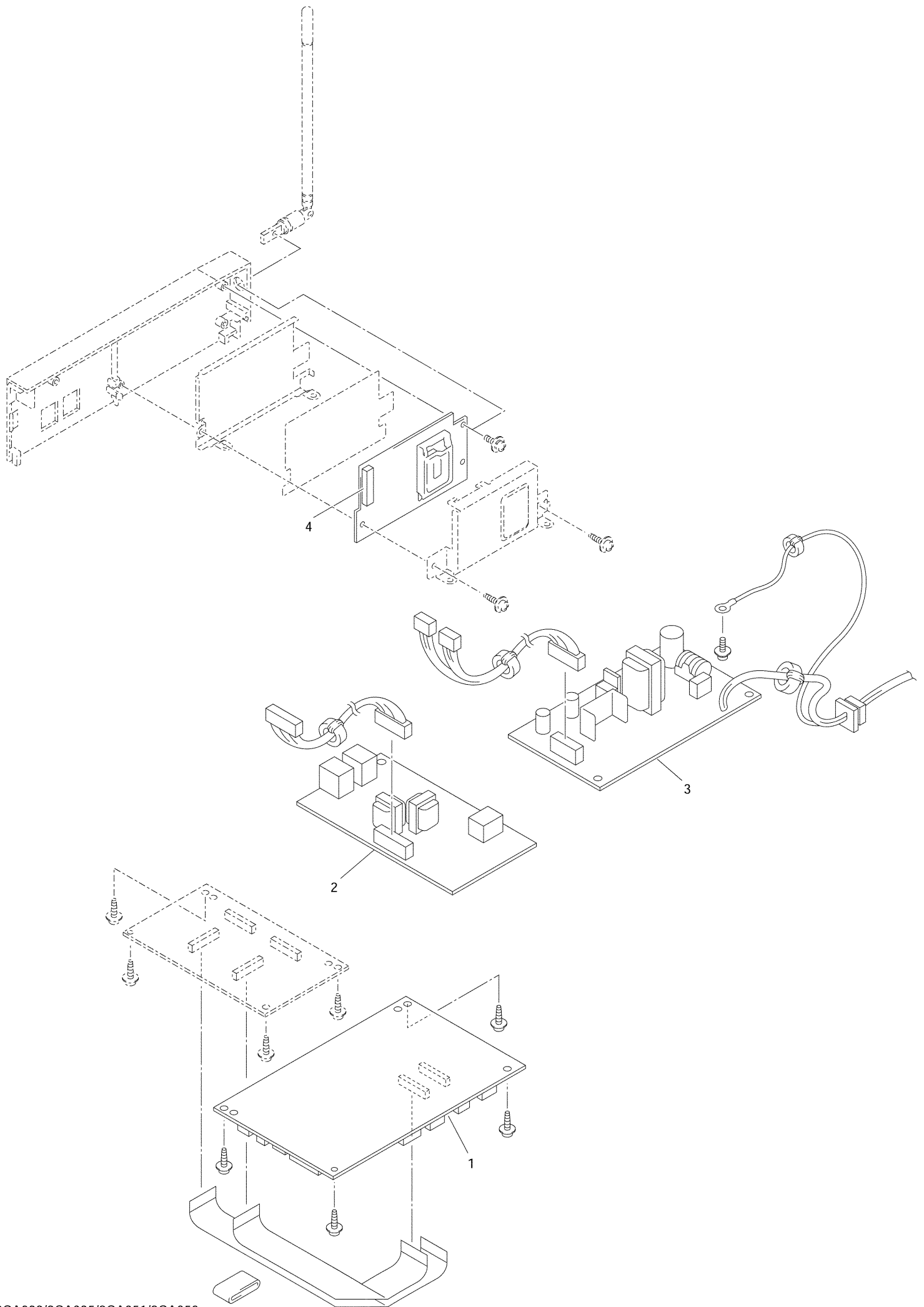
## List5(COVER)

REF No.	CODE	Q'TY	DESCRIPTION	SYMBOL	RECOMMEND	REMARK
1	LF0282001	1	LOWER COVER, GRAY(1623)			
2	LG4095002	1	MODULAR PCB ASSY, MFC4820C	B53K641-* 02		
3	LG4154001	1	USB PCB ASSY	B53K648-* 01		
4	LF0927001	1	INK ABSORBER CASE ASSY			CHG
5	087311016	19	TAPTITE, CUP B M3X1C			
6	UD4019001	4	RUBBER FOOT			
7	----		NOT USED			
8	LF0480001	1	CL COVER/US, GRAY(1623)			
9	LF0486001	1	MODULAR COVER, US/MC, GRAY(1623), MFC4820C			
9	LF0425001	1	MODULAR COVER BASE, GRAY(1623), MFC4420C			
10	----		NOT USED			
11	----		NOT USED			
12	087310816	2	TAPTITE, CUP B M3X8			
13	LF0574001	1	UPPER COVER ASSY			
14	UA9905001	4	SCREW, CUP M3X5			
15	085411216	9	TAPTITE, BIND B M4X12, MFC4820C			
15	085411216	7	TAPTITE, BIND B M4X12, MFC4420C			
16	LG4619001	1	BATTERY 3V80H ASSY, MFC4820C			chg
17	LF0302001	1	BATTERY COVER, GRAY(1623)			
18	LG4618001	1	SPEAKER UNIT MINIFB			chg
19	LF0363001	1	MEDIA ASSY			
20	LF0369004	1	HANDSET HOLDER ASSY, MFC4820C			
21	LF0584001	1	BATTERY CAUTION LABEL, MFC4820C			
22	----		NOT USED			
23	----		NOT USED			



## List6(PANEL)

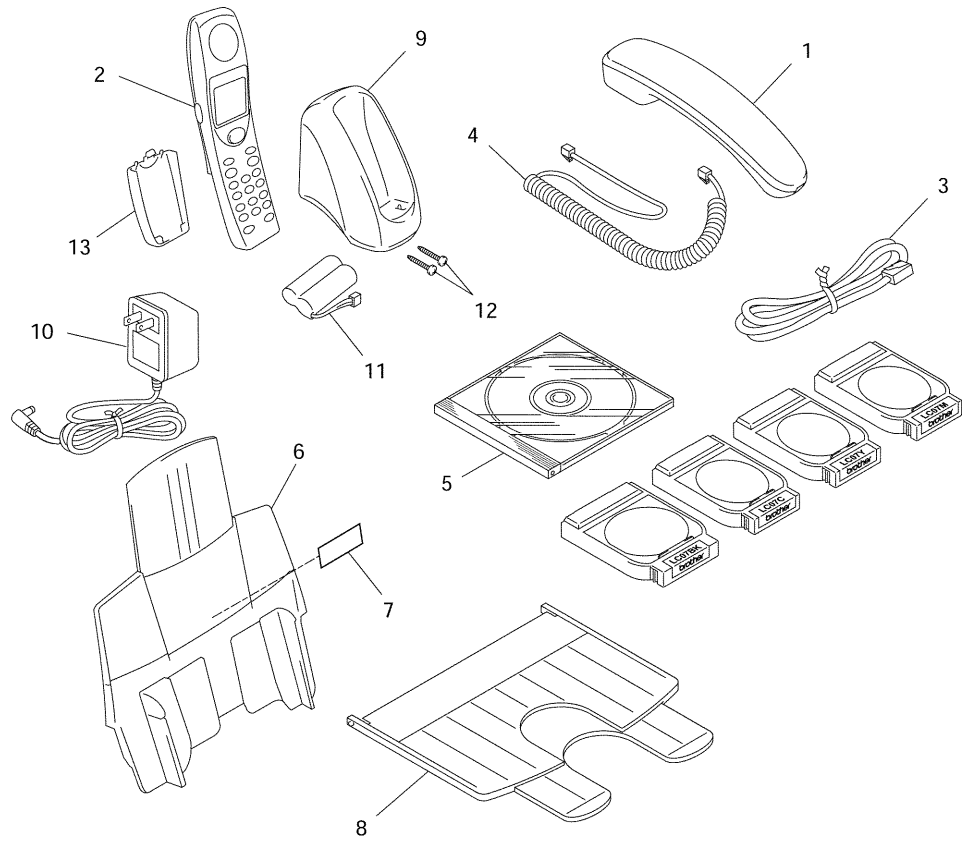
REF No.	CODE	QTY	DESCRIPTION	RECOMMEND	REMARK
1	LF0487001	1	PANEL COVER ASSY, MFC4820C	√	
1	LF0482001	1	PANEL COVER ASSY, MFC4420C		
1-1	LG4076001	1	LCD BASE, MFC4420C		
1-1	LG4343001	1	LCD MC, MFC4820C		
1-2	LF0490001	1	PRINTED PANEL C PLATE ASSY, MFC4820C		
1-2	LF0484001	1	PRINTED PANEL C PLATE ASSY, MFC4420C		
1-3	087310615	8	TAPTITE, CUP B M3X6		
2	LF0314001	1	ACTUATOR FB		
3	085310815	3	TAPTITE, BIND B M3X8		





## List7(PCB)

REF No.	CODE	QTY	DESCRIPTION	SYMBOL	RECOMMEND	REMARK
1	LG4586042	1	MAIN PCB ASSY, MFC4820C	B53K684-142	√	CHG
1	LG4585009	1	MAIN PCB ASSY, WITH DEMO, MFC4420C	B53K684-109	√	chg
1	LG4585002	1	MAIN PCB ASSY, MFC4420C	B53K684-102	√	chg
2	LG4324001	1	NCU PCB ASSY MINI US	B53K653-* 02	√	
3	LG4325001	1	POWER SUPPLY PCB UNIT MINI MC		√	
4	----		NOT USED			



## List8(Accessory)

REF No.	CODE	QTY	DESCRIPTION	RECOMMEND	REMARK
1	LE5803004	1	HANDSET WEIGHT ASSY T7J, GRAY(1623), MFC4820C		
2	----		NOT USED		
3	LG3077001	1	TELEPHONE LINE CORD, CSA		
4	LE6681004	1	HANDSET CURLED CORD LLL ASSY, GRAY(1623), MFC4820C		
5	<del>LF0497001</del>	<del>4</del>	<del>CD ASSY, MFC4420C FOR US</del>		del
5	<del>LF0876001</del>	<del>4</del>	<del>CD ASSY, MFC4820C FOR US</del>		DEL
5	LF0647001	1	CD ASSY		CHG
6	LF0331002	1	PAPER TRAY ASSY, SMOKED GRAY(1587)		
7	LF0481001	1	PAPER SET LABEL		
8	LF0339002	1	PAPER EJECT TRAY ASSY		
9	----		NOT USED		
10	----		NOT USED		
11	----		NOT USED		
12	----		NOT USED		
13	----		NOT USED		
(14)	ZA0310001	1	HEAD CLEANER STICK ASSY	√	
(15)	UF8263001	1	TEST CHART-027		
(16)	UF9258001	1	COLOR TEST CHART CTC-001		
(17)	UF4600001	1	CONTRAST CHART TC-023		
(18)	LF0565001	1	CARTRIDGE ADAPTER		add

## List9(PRINTING MATTER)

REF No.	CODE	Q'TY	DESCRIPTION	RECOMMEND	REMARK
(1)	LF0509001	1	USER'S GUIDE, MFC4820C FOR US/CAN <ENGLISH>		
(1)	LF0499001	1	USER'S GUIDE, MFC4420C FOR US/CAN <ENGLISH>		
(1)	LF0785001	1	USER'S GUIDE, MFC4820C FOR CAN <FRENCH>		ADD
(1)	LF0643001	1	USER'S GUIDE, MFC4420C FOR CAN <FRENCH>		

## List10(PACKAGING)

REF No.	CODE	QTY	DESCRIPTION	RECOMMEND	REMARK
(1)	LF0510001	1	CARTON, BROTHER, MFC4820C FOR US	√	
(1)	LF0501001	1	CARTON, BROTHER, MFC4420C FOR US	√	
(1)	LF0787001	1	CARTON, BROTHER, MFC4820C FOR CAN	√	ADD
(1)	LF0648001	1	CARTON, BROTHER, MFC4420C FOR CAN	√	
(2)	LF0531001	1	BODY POLYSTYRENE FOAM ASSY, MFC4820C		
(2)	LF0568001	1	BODY POLYSTYRENE FOAM ASSY, MFC4420C		
(3)	LF0741001	1	SHEET, 400X450		
(4)	LE3645001	1	BAG, 900X850H BY4FB		
(5)	LF0922001	1	CARTON, FOR OPTION, MFC4820C		chg
(5)	LF0572001	1	CARTON, FOR OPTION, MFC4420C		chg
(6)	LF0513001	1	QUICK SETUP GUIDE, MFC4820		
(6)	LF0504001	1	QUICK SETUP GUIDE, MFC4420C		
(6)	LF0788001	1	QUICK SETUP GUIDE, MFC4820C FOR CAN <FRENCH>		ADD
(6)	LF0649001	1	QUICK SETUP GUIDE, MFC4420C FOR CAN <FRENCH>		
(7)	LF0537001	1	PROTECT CARTRIDGE ASSY BK		
(8)	LF0540001	3	PROTECT CARTRIDGE ASSY CL		

**brother**®

PL-FAX047  
8CA602  
Ver.C-4