



**FACSIMILE EQUIPMENT
PARTS REFERENCE LIST**

MODEL: MFC5460CN / 5860CN

© Copyright Brother 2006

All rights reserved

No part of this publication may be reproduced in any form
or by any means without permission in writing from the
publisher.

Specifications are subject to change without prior notice.

NOTES FOR USING THIS PARTS REFERENCE LIST

1. In the case of ordering parts, it needs mentioning the following items:

- (1) Code
- (2) Q' ty
- (3) Description
- (4) Recommend (The √ mark is attached to recommend parts at this column.)
- (5) Symbol (PCB No., Revision, and Parts location mounted on the PCB.)

Note: Orders without Parts Code or Tool No. can not be accepted.

[Example]

	(1)	(2)	(3)	(4)	(5)	
REF.NO.	CODE	Q' TY	DESCRIPTION	RECOMMEND	SYMBOL	REMARKS

2. Design-changed parts:

When the parts are changed, any one of the following symbols is mentioned in the REMARKS column.

CHG (chg): The part is changed to a new part.

ADD (add): The part is newly added.

DEL (del): The part is deleted.

Symbol in capital letters indicates that the change is the latest one in the page.

3. Parts change will be informed by the technical information.

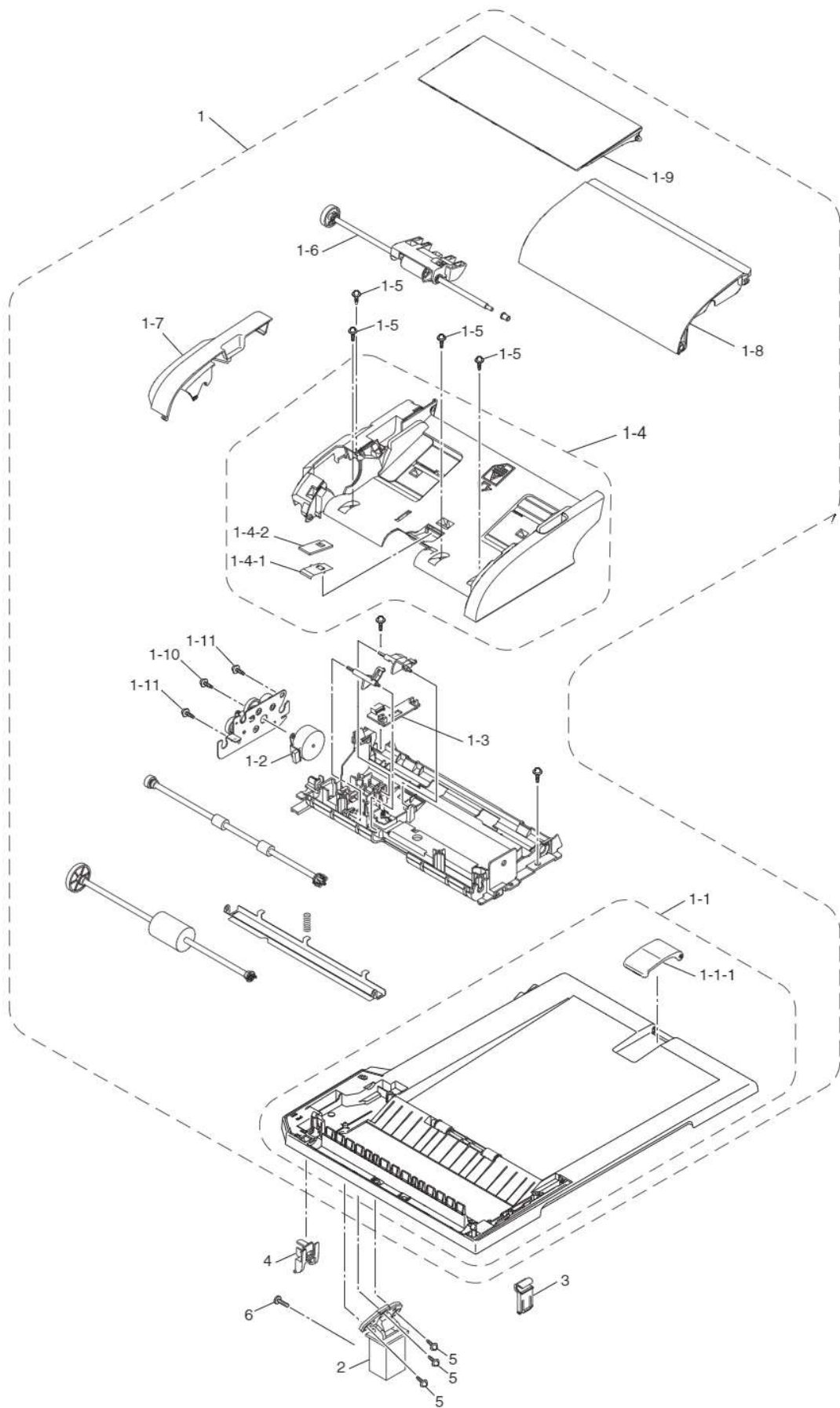
COUNTRIES

- U.S.A. ---- US
- CANADA ---- CAN
- GERMANY ---- GER
- UNITED KINGDOM ---- UK
- FRANCE ---- FRA
- SWITZERLAND ---- CHE
- AUSTRIA ---- AUS
- SPAIN ---- SPA
- ITALY ---- ITA
- ISRAEL ---- ISR
- PORTUGAL ---- POR
- CHINA ---- CHN
- ASIA (SINGAPORE & GULF) ---- ASA
- RUSSIA ---- RUS
- OCEANIA (AUSTRALIA & NEW ZEALAND) ---- OCE
- PAN NORDIC (NORWAY / FINLAND / DENMARK / SWEDEN) ---- PND
- EEU GENERAL ---- EEU

CONTENTS

1.	<u>ADF</u>	1
2.	<u>SCANNER</u>	3
3.	<u>ENGINE</u>	5
4.	<u>CARTRIDGE CASE</u>	7
5.	<u>HEAD</u>	9
6.	<u>PAPER TRAY</u>	11
7.	<u>LOWER TRAY</u>	13
8.	<u>COVER</u>	15
9.	<u>PANEL</u>	17
10.	<u>PCB</u>	19
11.	<u>ACCESSORIES</u>	21
12.	<u>PRINTED MATERIALS</u>	23
13.	<u>PACKAGING</u>	25
14.	<u>OTHERS</u>	27

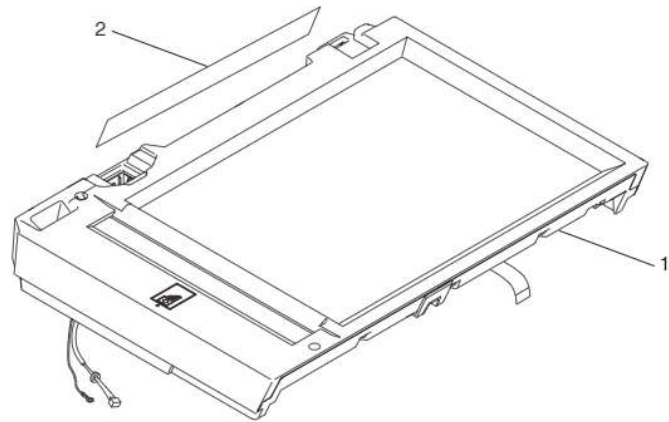
1. ADF



List1(ADF)

REF No	CODE	QTY	DESCRIPTION	RECOMMEND	SYMBOL	REMARKS
1	LP5073003	1	ADF UNIT ASSY (SP)	√		
1-1	LP1610003	1	ADF UNIT SUB ASSY			
1-1-1	LP1614003	1	DOCUMENT STOPPER			
1-2	LF5214001	1	ADF MOTOR			
1-3	LG5601001	1	DOCUMENT SENSOR PCB ASSY		B53K775	
1-4	LP1622003	1	UPPER ADF CHUTE ASSY			
1-4-1	LF5230001	1	SEPERATION PLATE			
1-4-2	LP3725001	1	SEPARATION RUBBER ASSY			
1-5	087311016	4	TAPTITE CUP B M3X10			
1-6	LF5234002	1	DOCUMENT PULL-IN/SEPERATION ROLLER ASSY			
1-7	LP1624003	1	GEAR COVER			
1-8	LP1625003	1	ADF COVER ASSY			
1-9	LP1627012	1	DOCUMENT SUPPORT			
1-10	0A4300606	1	SCREW PAN (S/P WASHER) M3X6			
1-11	087311016	2	TAPTITE CUP B M3X10			
2	LP0018001	1	HINGE ARM L			
3	LF4976002	1	HINGE ARM R			
4	LP1628001	1	HARNESS SUPPORT			
5	087311016	3	TAPTITE CUP B M3X10			
6	085411216	1	TAPTITE BIND B M4X12			

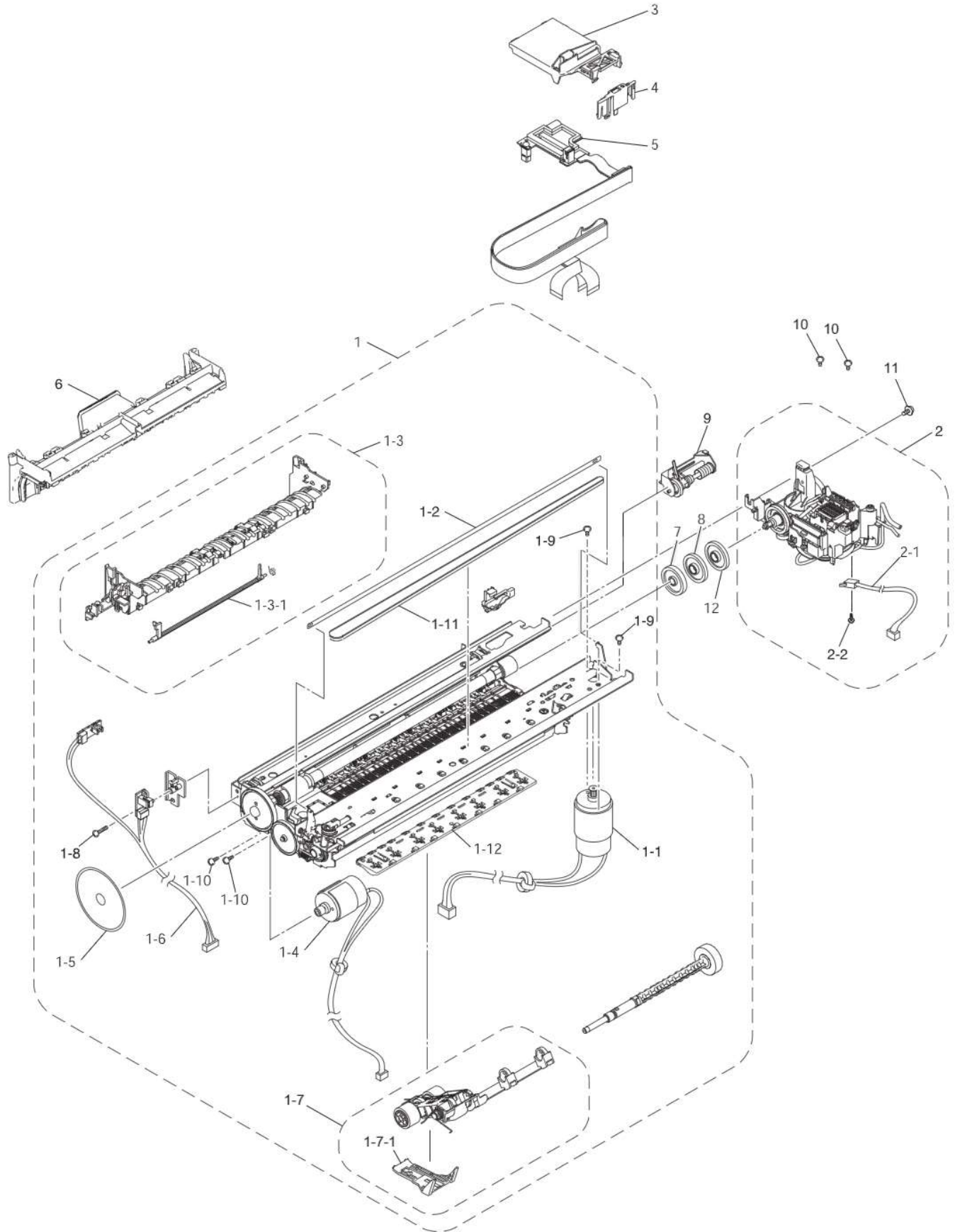
2. SCANNER



List2(SCANNER)

REF No.	CODE	QTY	DESCRIPTION	RECOMMEND	REMARKS
1	LP5079003	1	SCANNER UNIT ASSY (SP)	√	
2	LP3661001	1	PAPER JAM INSTRUCTION LABEL		

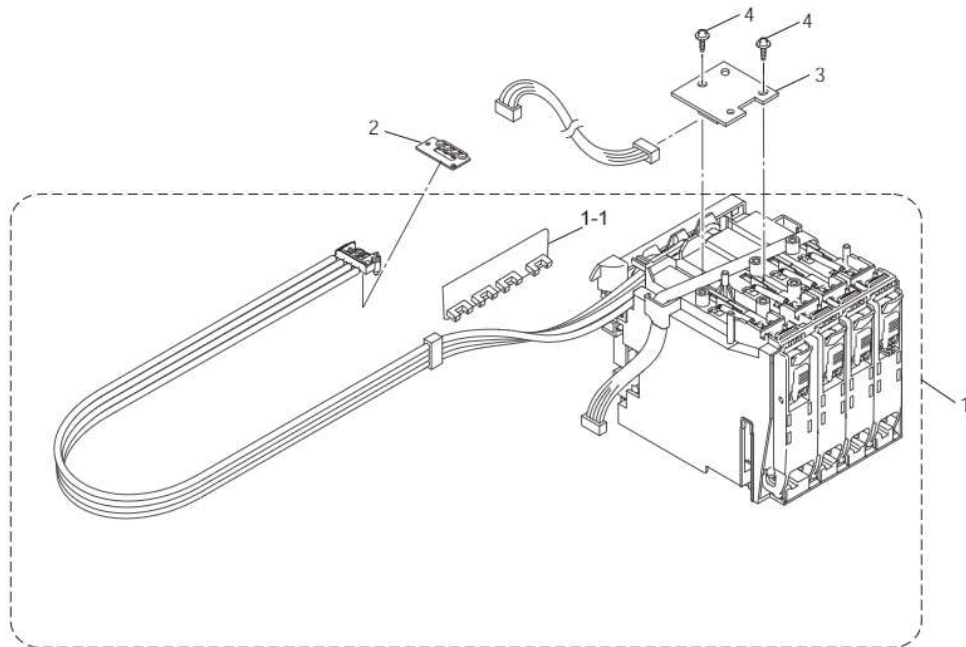
3. ENGINE



List3(ENGINE)

REF No	CODE	QTY	DESCRIPTION	RECOMMEND	REMARKS
1	LP5493001	1	ENGINE UNIT ASSY (SP)		chg
1-1	LP1030001	1	CARRIAGE MOTOR ASSY		
1-2	LP1034001	1	CR ENCODER STRIP		
1-3	LP3848005	1	INNER CHUTE ASSY		
1-3-1	LP1059001	1	REGISTRATION SENSOR ACTUATOR		
1-4	LP1076001	1	PAPER FEED MOTOR ASSY		
1-5	LP1471001	1	PF ENCODER DISK		
1-6	LG6762001	1	PF ENCODER/REGISTRATION SENSOR HARNESS		
1-7	LP1088001	1	PAPER PULL-IN ROLLER HOLDER ASSY		
1-7-1	LP1091001	1	PE ACTUATOR		add
1-8	000021206	1	SCREW BIND M2X12		
1-9	000300606	2	SCREW BIND M3X6		
1-10	000260406	2	SCREW BIND M2.6X4		
1-11	LP1033001	1	TIMING BELT		
1-12	LP1041001	1	STAR WHEEL HOLDER ASSY		ADD
(1-12-1)	LP0271001	8	STAR WHEEL W2		ADD
(1-12-2)	LF5927001	13	SATR WHEEL S		ADD
2	LP3530001	1	MAINTENANCE UNIT ASSY (SP), MFC5460CN		
2	LS5593001	1	MAINTENANCE UNIT ASSY (SP), MFC5860CN		add
2-1	LG6721001	1	PURGE CAM SWITCH HARNESS ASSY		
2-2	LF7138001	1	TAPTITE PAN2 1.7X8		
3	LP5946001	1	HEAD COVER ASSY		chg
4	LP1148001	1	FFC SUPPORT		
5	LP3532001	1	CARRIAGE PCB UNIT ASSY (SP)		
6	LP1154005	1	JAM CLEAR COVER ASSY, GRAY(1735), MFC 5460CN		
7	LP1933001	1	SF CHANGE OVER GEAR		
8	LP1934001	1	HS CHANGE OVER GEAR		
9	LP1102001	1	MODE SWITCHING LEVER & CLUTCH GEAR ASSY		
10	085310816	2	TAPTITE BIND B M3X8		
11	087320616	1	TAPTITE CUP S M3X6		
12	LF5318001	1	LT CHANGE OVER GEAR, MFC5860CN		add

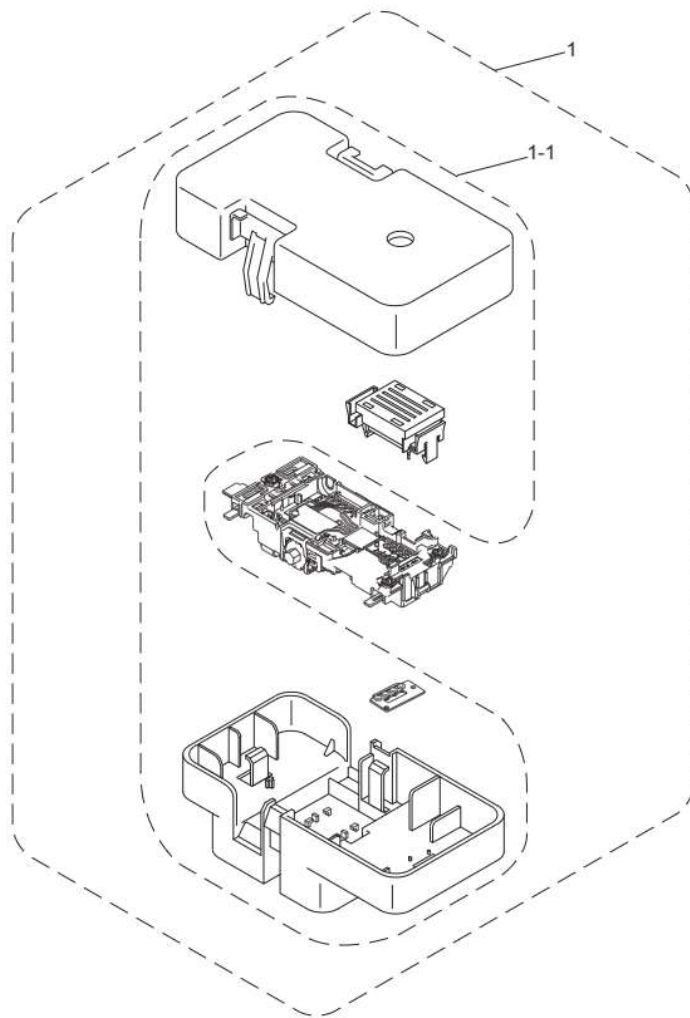
4. CARTRIDGE CASE



List4(CARTRIDGE CASE)

REF No	CODE	QTY	DESCRIPTION	RECOMMEND	SYMBOL	REMARKS
1	LP5247001	1	INK REFILL ASSY (SP) EXCEPT FOR CHN	√		
1	LP5827001	1	INK REFILL ASSY (SP) FOR CHN	√		
1-1	LG6725001	1	CARTRIDGE PCB ASSY		B53K869	ADD
2	LP3539001	1	HEAD JOINT RUBBER (SP)			
3	LG7189001	1	HIGH YIELD INK CARTRIDGE SENSOR PCB ASSY		B53K914	
4	087310816	2	TAPTITE CUP B M3X8			

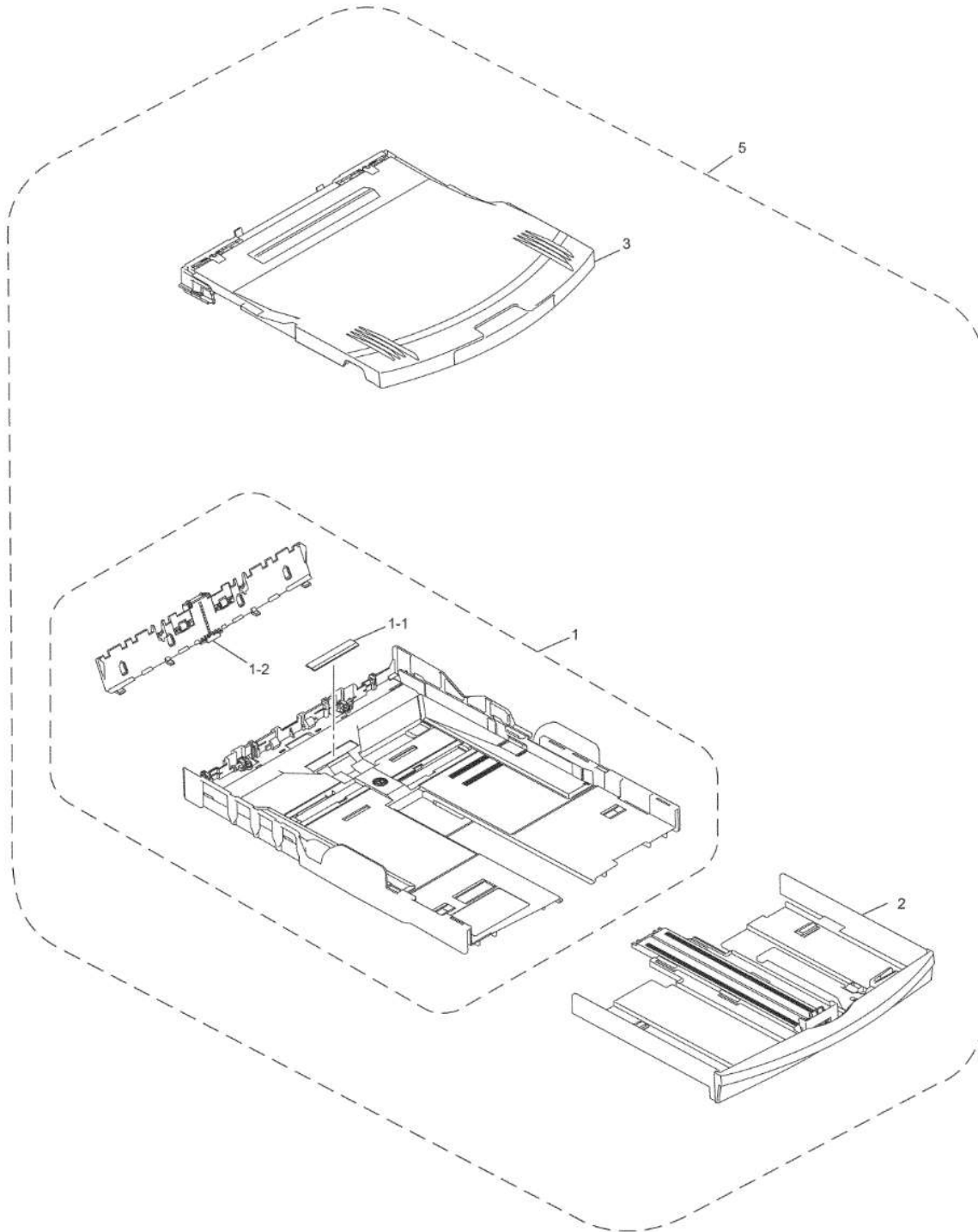
5. HEAD



List5(HEAD)

REF No.	CODE	QTY	DESCRIPTION	RECOMMEND	REMARKS
1	LK2179001	1	HEAD/CARRIAGE UNIT SUPPLY ASSY (without CARRIAGE PCB ASSY)		
1-1	LK2491001	1	PROTECTOR PARTS SUPPLY ASSY(SP)		

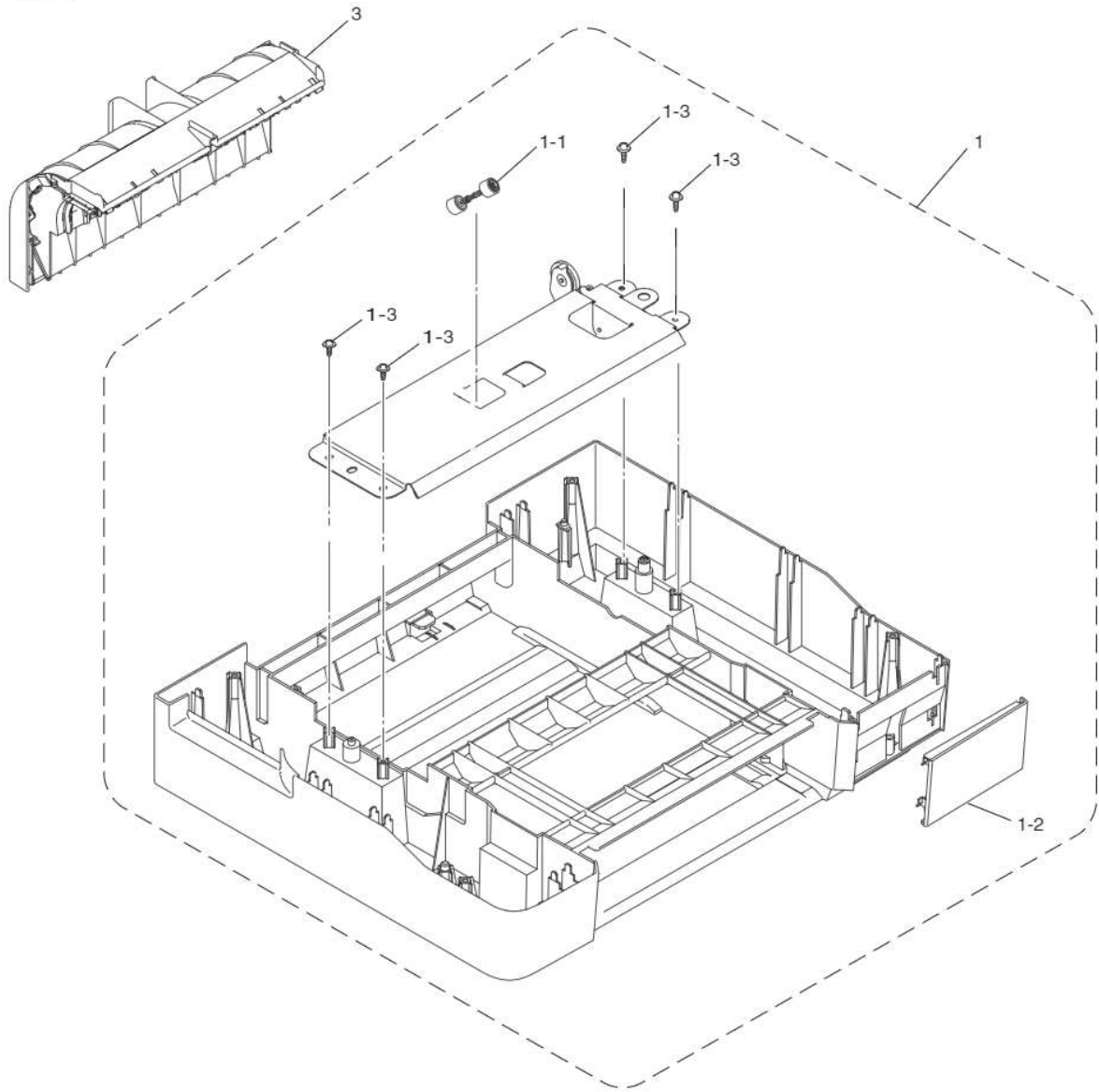
6 PAPER TRAY



List6(PAPER TRAY)

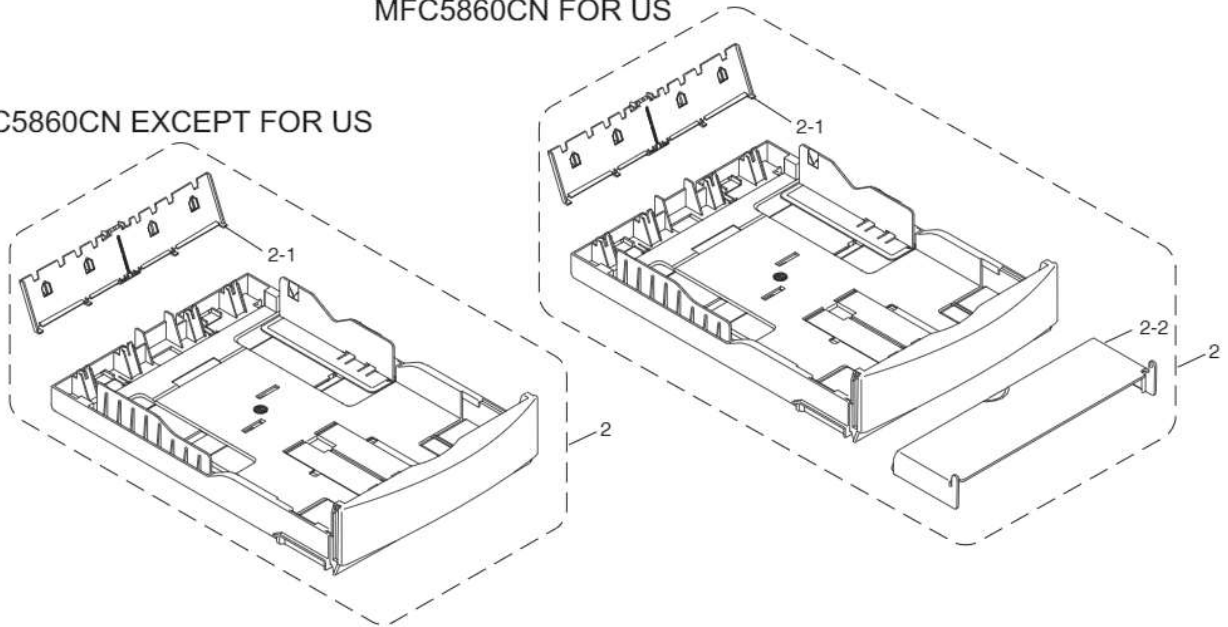
REF No	CODE	QTY	DESCRIPTION	RECOMMEND	REMARKS
1	LP1243005	1	PAPER TRAY ASSY, GRAY(1735)		
1-1	LP1575001	1	BASE PAD		
1-2	LP1246001	1	BANK ASSY		
2	LP1256011	1	PAPER TRAY EXTENSION ASSY, GRAY(1736)		
3	LP1260011	1	PAPER TRAY COVER ASSY, GRAY(1736)		
4	---		N/A		
5	LS2001003	1	PAPER TRAY ASSY1 (SP)	√	CHG

7. LOWER TRAY



MFC5860CN FOR US

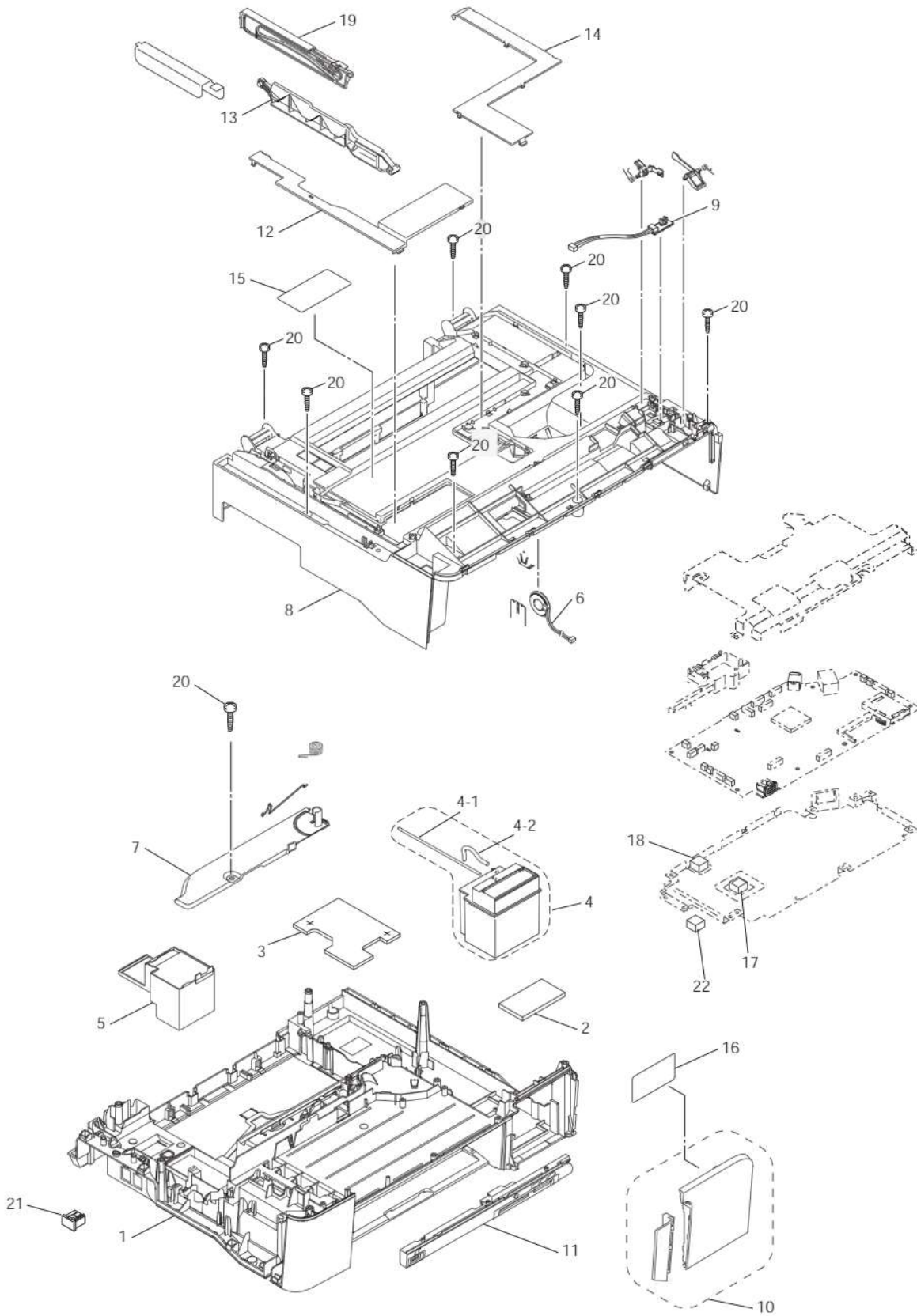
MFC5860CN EXCEPT FOR US



List7(LOWER TRAY)

REF	CODE	QTY	DESCRIPTION	RECOMMEND	REMARK
1	LP1665011	1	LT COVER ASSY, MFC5860CN		
1-1	LP1094001	1	LT PAPER PULL-IN ROLLER ASSY, MFC5860CN		
1-2	LP1685003	1	LT FRONT COVER , MFC5860CN		
1-3	087311016	4	TAPTITE CUP B M3X10		
2	LP1686011	1	PAPER TRAY ASSY LT, MFC5860CN FOR US		
2	LP3586011	1	PAPER TRAY ASSY LT, MFC5860CN, EXCEPT FOR US		
2-1	LP1688001	1	BANK ASSY LT, MFC5860CN		
2-2	LP1694012	1	PAPER TRAY COVER LT, MFC5860CN FOR US		
3	LP1695011	1	JAM CLEAR COVER , GRAY (1796), MFC5860CN		

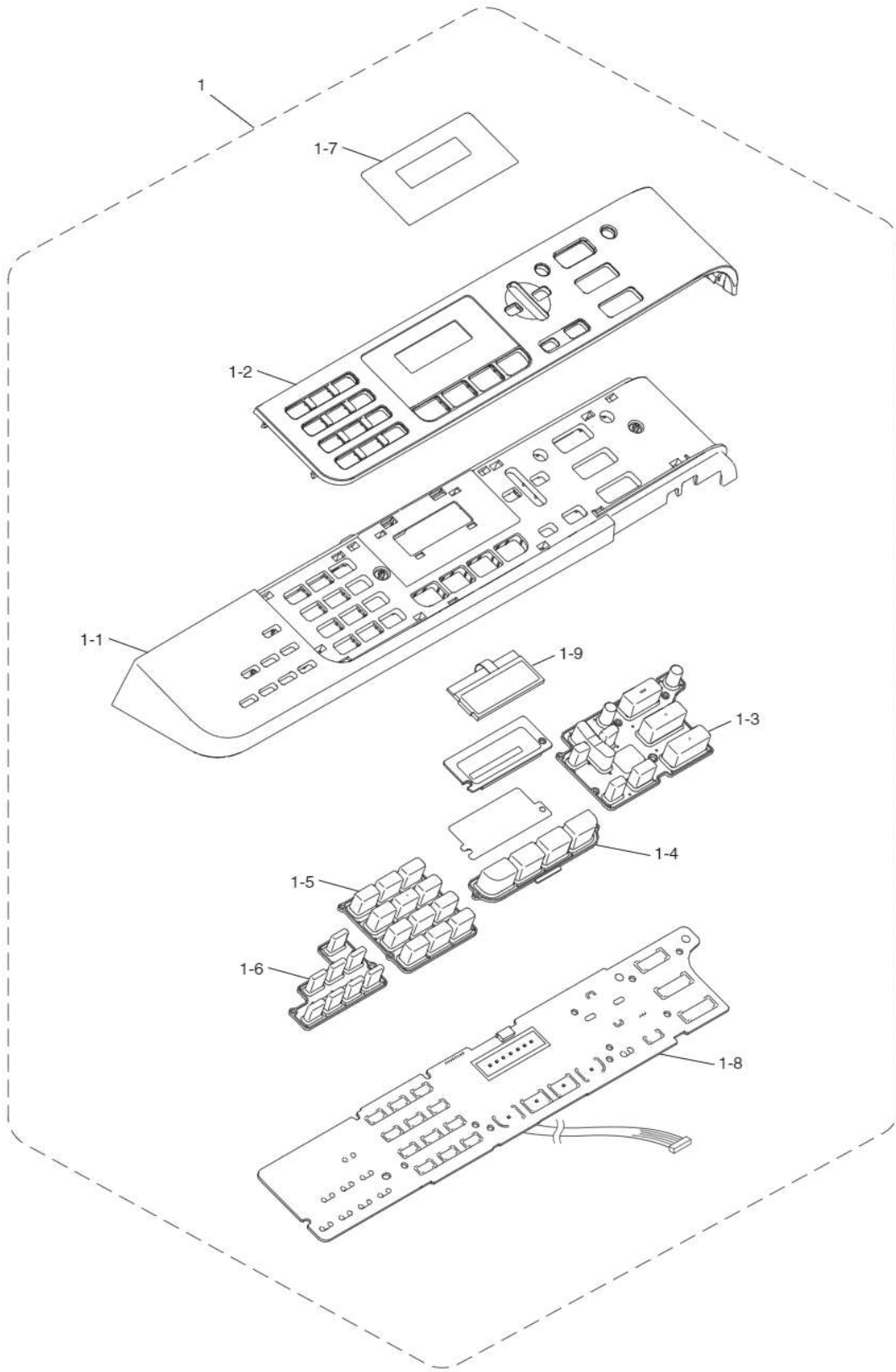
8. COVER



List8(COVER)

REF No.	CODE	QTY	DESCRIPTION	RECOMMEND	SYMBOL	REMARKS
1	LP1576011	1	LOWER COVER ASSY, MFC5460CN			
1	LP1596011	1	LOWER COVER ASSY, MFC5860CN			
2	LP1233001	1	INK ABSORBER FELT			
3	LP3035001	1	INK FOAM M			
4	LP5187001	1	INK ABSORBER TUBE ASSY (SP)			
4-1	LP1144001	1	MAIN DRAIN TUBE			add
4-2	LP3001001	1	OPENING TUBE TO THE ATMOSPHERIC AIR			add
5	LP1699001	1	FLUSHING BOX ASSY	√		
6	LG6731001	1	SPEAKER UNIT			
7	LP1282001	1	FLAT CABLE SUPPORT PLATE			
8	LP5944011	1	UPPER COVER			chg
9	LG6745001	1	SCANNER/INK CARTRIDGE COVER SENSOR PCB ASSY		B53K857	
10	LP3724003	1	INK CARTRIDGE COVER ASSY			
11	LP1590011	1	MEDIA MODULE COVER			
12	LP1592011	1	HARNESS COVER			
13	LP3723002	1	SCANNER COVER STOPPER			
14	LP1594011	1	CIS FLAT CABLE COVER			
15	LP5943001	1	LABEL FOR COVER OPEN/CLOSE			chg
16	LP3329001	1	INK REPLACE LABEL			
17	LG7091001	1	THERMALLY CONDUCTIVE RUBBER			
18	LG7091001	1	THERMALLY CONDUCTIVE RUBBER, EXCEPT FOR US/CAN			
19	LP3727001	1	SCANNER COVER DAMPER			
20	085411216	9	TAPTITE BIND B M4X12			
21	UF5745000	1	MJ COVER EXT FOR GER/UK/FRA/AUS/ITA			add
22	LT0838001	1	THERMALLY CONDUCTIVE RUBBER EX			ADD

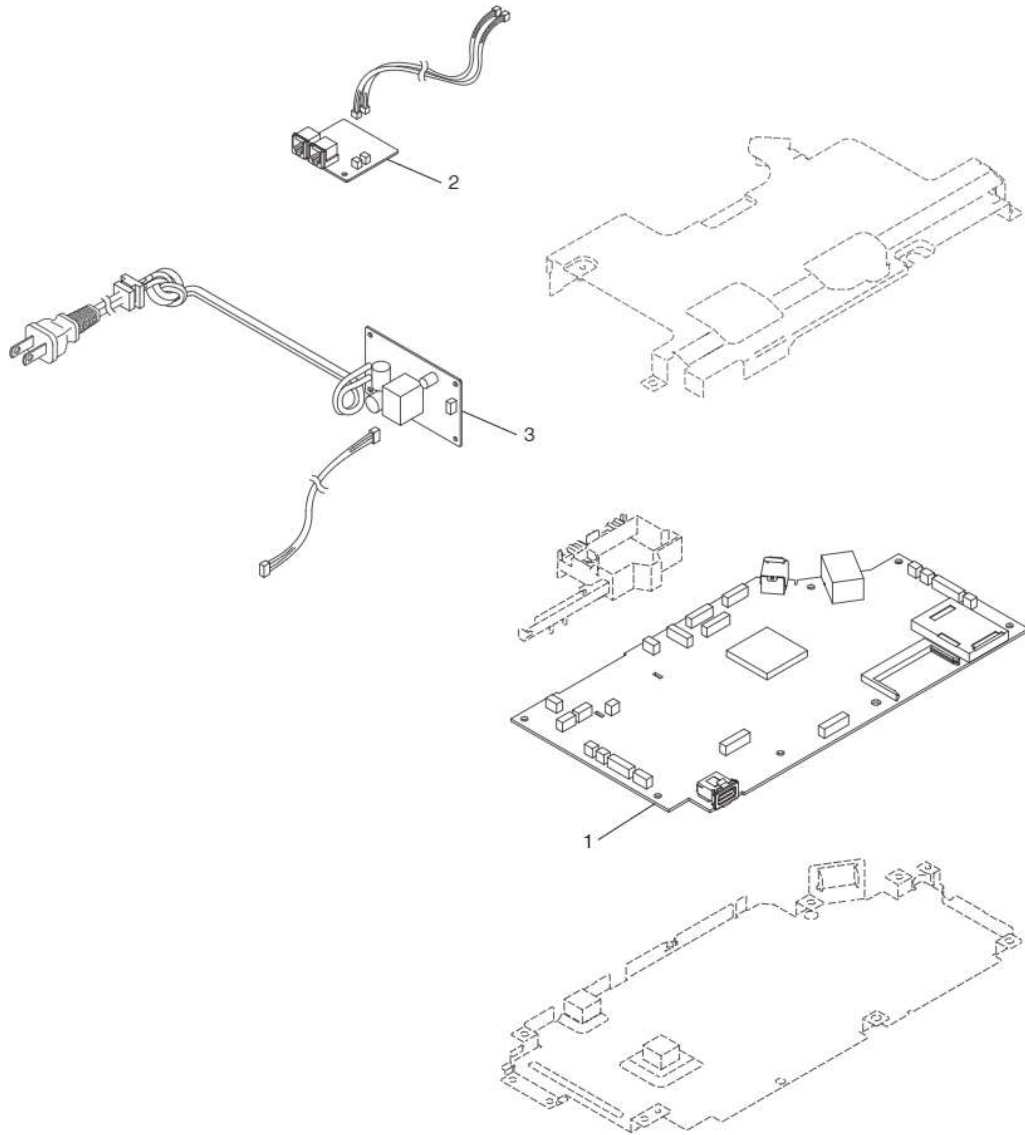
9. Panel



List9(PANEL)

REF No.	CODE	QTY	DESCRIPTION	RECOMMEND	SYMBOL	REMARKS
1	LP1527001	1	CONTROL PANEL ASSY, MFC5460CN FOR US/CAN	√		
1	LP1543001	1	CONTROL PANEL ASSY, MFC5860CN FOR US	√		
1	LP3398001	1	CONTROL PANEL ASSY, MFC5460CN FOR UK/BEL/ISR/EEU	√		
1	LP3856001	1	CONTROL PANEL ASSY, MFC5860CN FOR UK/BEL/CHE/ZAF	√		
1	LP5252001	1	CONTROL PANEL ASSY, MFC5460CN FOR GER/AUS	√		
1	LP5281001	1	CONTROL PANEL ASSY, MFC5860CN FOR GER	√		
1	LP5256001	1	CONTROL PANEL ASSY, MFC5460CN FOR FRA	√		
1	LP5284001	1	CONTROL PANEL ASSY, MFC5860CN FOR FRA	√		
1	LP5264001	1	CONTROL PANEL ASSY, MFC5460CN FOR SPA	√		
1	LP5287001	1	CONTROL PANEL ASSY, MFC5860CN FOR SPA	√		
1	LP5260001	1	CONTROL PANEL ASSY, MFC5460CN FOR ITA	√		
1	LP5544001	1	CONTROL PANEL ASSY, MFC5460CN FOR POR	√		
1	LP5713001	1	CONTROL PANEL ASSY, MFC5460CN FOR CHN	√		
1	LP5545001	1	CONTROL PANEL ASSY, MFC5460CN FOR ASA/OCE	√		
1	LP5546001	1	CONTROL PANEL ASSY, MFC5860CN FOR ASA/OCE	√		
1	LP5680001	1	CONTROL PANEL ASSY, MFC5460CN FOR RUS	√		
1	LP5547001	1	CONTROL PANEL ASSY, MFC5860CN FOR PND	√		
1-1	LP1528001	1	CONTROL PANEL BASE, MFC5460CN FOR US/CAN			
1-1	LP1544001	1	CONTROL PANEL BASE, MFC5860CN FOR US			
1-1	LP5253001	1	CONTROL PANEL BASE, MFC5460CN FOR GER/AUS			
1-1	LP5282001	1	CONTROL PANEL BASE, MFC5860CN FOR GER			
1-1	LP3399001	1	CONTROL PANEL BASE, MFC5460CN FOR UK/BEL/ISR/EEU			
1-1	LP3857001	1	CONTROL PANEL BASE, MFC5860CN FOR UK/BEL/CHE/ZAF/PND			
1-1	LP5257001	1	CONTROL PANEL BASE, MFC5460CN FOR FRA			
1-1	LP5285001	1	CONTROL PANEL BASE, MFC5860CN FOR FRA			
1-1	LP5265001	1	CONTROL PANEL BASE, MFC5460CN FOR SPA			
1-1	LP5288001	1	CONTROL PANEL BASE, MFC5860CN FOR SPA			
1-1	LP5261001	1	CONTROL PANEL BASE, MFC5460CN FOR ITA			
1-1	LP5537001	1	CONTROL PANEL BASE, MFC5460CN FOR POR			
1-1	LP5714001	1	CONTROL PANEL BASE, MFC5460CN FOR CHN			
1-1	LP5111001	1	CONTROL PANEL BASE, MFC5460CN FOR ASA/OCE			
1-1	LP5681001	1	CONTROL PANEL BASE, MFC5460CN FOR RUS			
1-1	LP5112001	1	CONTROL PANEL BASE, MFC5860CN FOR ASA/OCE			
1-2	LP1530001	1	PRINTED PANEL PLATE FOR US/CAN			
1-2	LP5254001	1	PRINTED PANEL PLATE FOR GER/AUS			
1-2	LP3400001	1	PRINTED PANEL PLATE FOR UK/BEL/CHE/ISR/ZAF/ASA/OCE/EEU			
1-2	LP5258001	1	PRINTED PANEL PLATE FOR FRA			
1-2	LP5266001	1	PRINTED PANEL PLATE FOR SPA			
1-2	LP5262001	1	PRINTED PANEL PLATE, MFC5460CN FOR ITA			
1-2	LP5538001	1	PRINTED PANEL PLATE, MFC5460CN FOR POR			
1-2	LP5715001	1	PRINTED PANEL PLATE, MFC5460CN FOR CHN			
1-2	LP5682001	1	PRINTED PANEL PLATE, MFC5460CN FOR RUS			
1-2	LP5542001	1	PRINTED PANEL PLATE, MFC5860CN FOR PND			
1-3	LP1532001	1	RUBBER KEYPAD			
1-4	LP1534001	1	PRINTED RUBBER KEY CENTER			
1-5	LP1536011	1	PRINTED RUBBER KEY 7FB TEN			
1-6	LP1538003	1	RUBBER KEY 7FB BASE FUNCTION			
1-7	LP1539001	1	LCD SHEET, MFC5460CN FOR US/CAN/UK/BEL/ISR/ASA/OCE/EEU			
1-7	LP1545001	1	LCD SHEET, MFC5860CN FOR US/UK/BEL/CHE/ZAF/ASA/OCE/PND			
1-7	LP5255001	1	LCD SHEET, MFC5460CN FOR GER/AUS			
1-7	LP5283001	1	LCD SHEET, MFC5860CN FOR GER			
1-7	LP5259001	1	LCD SHEET, MFC5460CN FOR FRA			
1-7	LP5286001	1	LCD SHEET, MFC5860CN FOR FRA			
1-7	LP5267001	1	LCD SHEET, MFC5460CN FOR SPA			
1-7	LP5289001	1	LCD SHEET, MFC5860CN FOR SPA			
1-7	LP5263001	1	LCD SHEET, MFC5460CN FOR ITA			
1-7	LP5539001	1	LCD SHEET, MFC5460CN FOR POR			
1-7	LP5716001	1	LCD SHEET, MFC5460CN FOR CHN			
1-7	LP5683001	1	LCD SHEET, MFC5460CN FOR RUS			
1-8	LG6874001	1	CONTROL PANEL PCB ASSY EXCEPT FOR CHN		B53K884	
1-8	LG7325002	1	CONTROL PANEL PCB ASSY FOR CHN		B53K884	
1-9	LG6132001	1	LCD FOR US/CAN			
1-9	LG5867001	1	LCD EXCEPT FOR US/CAN/CHN			
1-9	LG6440001	1	LCD FOR CHN			

10. PCB

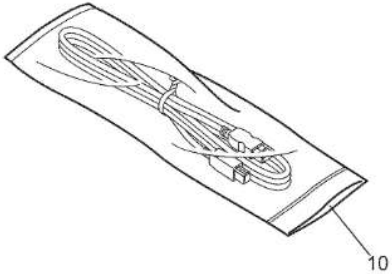
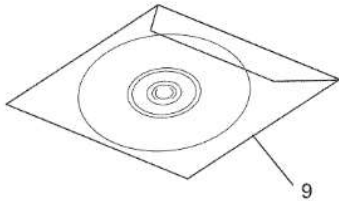
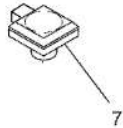
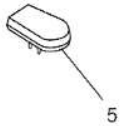
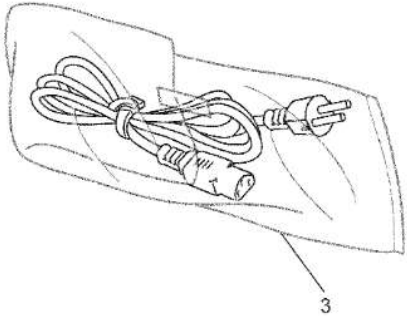
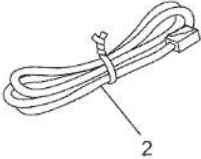
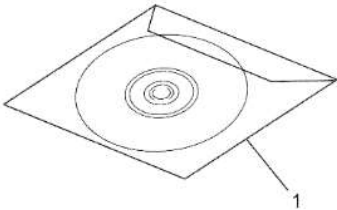


List10(PCB)

REF No.	CODE	QTY	DESCRIPTION	RECOMMEND	SYMBOL	REMARKS
1	LG6863061	1	MAIN PCB ASSY, MFC5460CN/5860CN FOR US/CAN	√	B53K880	
1	LG6863066	1	MAIN PCB ASSY, MFC5460CN FOR US/CAN	√	B53K880	ADD
1	LG6863062	1	MAIN PCB ASSY, MFC5460CN/5860CN FOR US(*)	√	B53K880	
1	LG6863063	1	MAIN PCB ASSY FOR GER/UK/FRA/BEL/NLD/CHE/AUS/SPA/ITA/ISR/POR/ASA/RUS/ OCE/PND/EEU MFC-5860CN FOR ASA/OCE	√	B53K880	
1	LG6863068	1	MAIN PCB ASSY, MFC5460CN FOR GER/UK/FRA/BEL/NLD/AUS/SPA/ITA/ISR/POR/ASA/RUS/OCE/EEU, MFC5860CN FOR GER/UK/FRA/BEL/CHE/SPA/PND	√	B53K880	ADD
1	LG6863060	1	MAIN PCB ASSY FOR CHN	√	B53K880	CHG
1	LG6863067	1	MAIN PCB ASSY FOR ZAF	√	B53K880	add
2	LG6844001	1	MJ PCB ASSY, MFC5460CN FOR ASA/OCE, MFC5860CN FOR US/ASA/OCE	√	B53K887	
2	LT0036001	1	MJ PCB ASSY, MFC5460CN FOR US/CAN/CHN	√	B53K948	add
2	LT0036004	1	MJ PCB ASSY FOR GER/UK/FRA/BEL/NLD/CHE/AUS/SPA/ITA/ISR/POR/RUS/ PND/EEU	√	B53K948	chg
3	LG7184001	1	POWER SUPPLY PCB ASSY (INCLUDING AC CORD) FOR US/CAN	√		
3	LG6749001	1	POWER SUPPLY PCB ASSY (EXCLUDING AC CORD) FOR GER/UK/FRA/CHE/BEL/NLD/AUS/SPA/ITA/ISR/POR/ ZAF/RUS/OCE/PND/EEU	√		
3	LG7050001	1	POWER SUPPLY PCB ASSY (EXCLUDING AC CORD) FOR CHN	√		
3	LG7048001	1	POWER SUPPLY PCB ASSY (EXCLUDING AC CORD) FOR ASA	√		

*: First 3-months production only

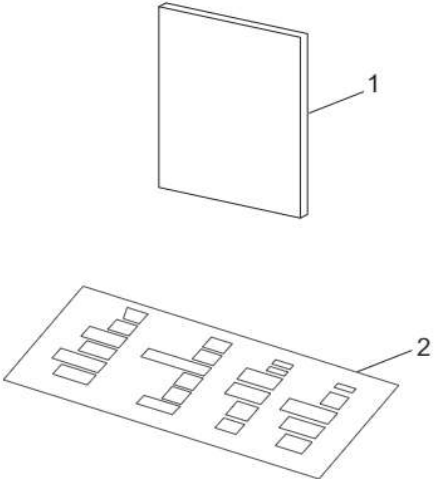
11. ACCESSORIES



List11(Accessories)

REF No	CODE	QTY	DESCRIPTION	RECOMMEND	REMARKS
1	LP3099001	1	CD-ROM ASSY, MFC5460CN FOR US/CAN		
1	LP3100001	1	CD-ROM ASSY, MFC5860CN FOR US		
1	LP3167001	1	CD-ROM ASSY, MFC5460CN FOR GER/UK/FRA/AUS/ASA/OCE		
1	LP5223001	1	CD-ROM ASSY, MFC5860CN FOR GER/UK/FRA/CHE/ZAF/ASA/OCE		
1	LP3168001	1	CD-ROM ASSY, MFC5460CN FOR SPA/ITA/POR		
1	LP5224001	1	CD-ROM ASSY, MFC5860CN FOR SPA		
1	LP3171001	1	CD-ROM ASSY, MFC5460CN FOR ISR/EEU		
1	LP3186001	1	CD-ROM ASSY, MFC5460CN FOR CHN		
1	LP3179001	1	CD-ROM ASSY, MFC5460CN FOR RUS		
1	LP3169001	1	CD-ROM ASSY, MFC5460CN FOR BEL/NLD		add
1	LP5225001	1	CD-ROM ASSY, MFC5860CN FOR BEL/PND <FIN>		
1	LP5226001	1	CD-ROM ASSY, MFC5860CN FOR PND <DEN/NOR/SWE>		
2	LG3077001	1	TELEPHONE LINE CORD CSA FOR US/CAN/UK/NLD/SPA/ISR/POR/CHN/ZAF/ASA/RUS/OCE/EEU		
2	UG3626001	1	TELEPHONE LINE CORD FOR UK		
2	UG3625001	1	TELEPHONE LINE CORD FOR GER		
2	UG3627001	1	TELEPHONE LINE CORD FOR FRA		
2	UG1575001	1	TELEPHONE LINE CORD FOR BEL		ADD
2	LG3622001	1	TELEPHONE LINE CORD FOR NLD		ADD
2	LG7202001	1	TELEPHONE LINE CORD FOR CHE		
2	UG4205001	1	TELEPHONE LINE CORD FOR AUS		
2	UG3634001	1	TELEPHONE LINE CORD FOR ITA		
2	UG3290001	1	TELEPHONE LINE CORD FOR OCE		
2	LG5827001	1	TELEPHONE LINE CORD FOR PND		
3	LG5717001	1	AC CORD BAG ASSY LF VDE FOR GER/FRA/BEL/NLD/AUS/SPA/ITA/POR/ASA/RUS/PND/EEU		
3	LG5692001	1	AC CORD BAG ASSY LF FOR UK/ASA		
3	LG5732001	1	AC CORD BAG ASSY LF SEV FOR CHE		
3	LG7005001	1	AC CORD BAG ASSY LF FOR ISR		
3	LG5735001	1	AC CORD BAG ASSY LF FOR CHN		
3	LG6404001	1	AC CORD BAG ASSY LF FOR ZAF		ADD
3	LG5736001	1	AC CORD BAG ASSY LF DEMKO FOR PND		
3	LG5734001	1	AC CORD BAG ASSY LF SAA FOR OCE		
4	LG3509001	1	TELEPHONE PLUG FOR OCE		
5	---	1	NOT USED		
6	LG5830001	1	TELEPHONE PLUG FOR PND <SWEDEN>		
7	LG5829001	1	TELEPHONE PLUG FOR PND <FINLAND>		
8	LG5828001	1	TELEPHONE PLUG FOR PND <DENMARK>		
9	LS2489001	1	CD-ROM ASSY VISTA , MFC5460CN/MFC5860CN FOR US/CAN		chg
9	LS2486001	1	CD-ROM ASSY VISTA , MFC5460CN FOR CHN		chg
9	LS2481001	1	CD-ROM ASSY VISTA , MFC5460CN/MFC5860CN FOR GER/UK/FRA/CHE/AUS/ZAF/ASA/OCE		add
9	LS2483001	1	CD-ROM ASSY VISTA , MFC5460CN/MFC5860CN FOR BEL/NLD/PND		add
9	LS2482001	1	CD-ROM ASSY VISTA , MFC5460CN/MFC5860CN FOR SPA/ITA/POR		add
9	LS2485001	1	CD-ROM ASSY VISTA , MFC5460CN FOR ISR/GNR		add
9	LS2488001	1	CD-ROM ASSY VISTA , MFC5460CN FOR RUS		add
10	LP0001001	1	USB CABLE 2.0 ASSY, MFC5460CN FOR CHN		add

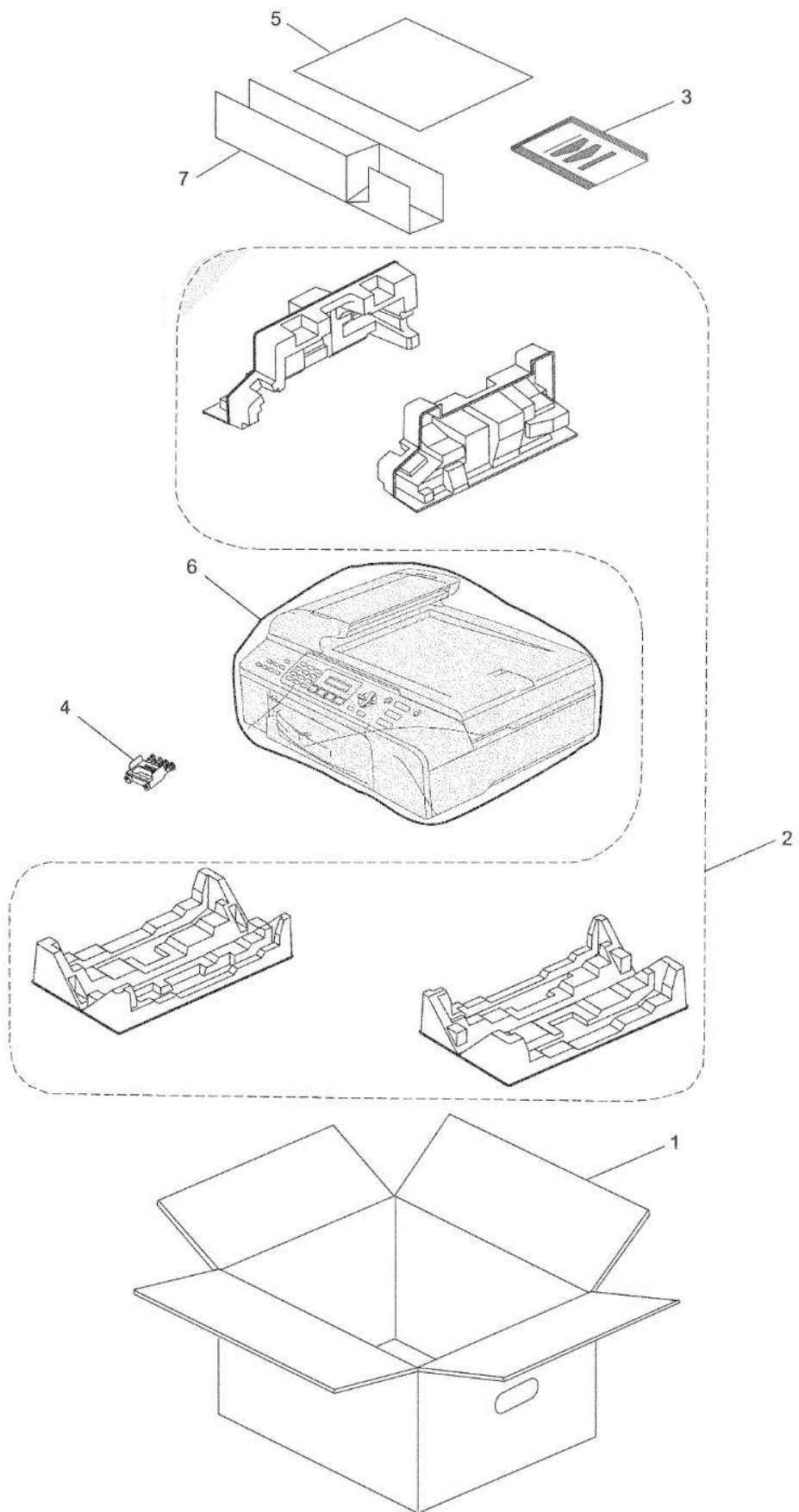
12. PRINTED MATERIALS



List12(PRINTED MATERIALS)

REF No	CODE	QTY	DESCRIPTION	RECOMMEND	REMARKS
1	LP3292001	1	USER'S GUIDE FOR US/CAN		
1	LP5269003	1	USER'S GUIDE FOR GER/AUS		
1	LP5269004	1	USER'S GUIDE FOR UK/ZAF		
1	LP5269005	1	USER'S GUIDE FOR FRA		
1	LP5269008	1	USER'S GUIDE FOR BEL [DUTCH]		ADD
1	LP5269010	1	USER'S GUIDE FOR CHE [GERMAN]		
1	LP5269058	1	USER'S GUIDE FOR BEL/CHE [FRENCH]		
1	LP5269015	1	USER'S GUIDE FOR SPA		
1	LP5269016	1	USER'S GUIDE FOR ITA		
1	LP5269018	1	USER'S GUIDE FOR POR		
1	LP5269020	1	USER'S GUIDE FOR CHN		
1	LP5269040	1	USER'S GUIDE FOR ASA/OCE		
1	LP5269048	1	USER'S GUIDE FOR RUS		
1	LP5528007	1	USER'S GUIDE FOR PND [NORWEGIAN/SWEDISH]		
1	LP5529013	1	USER'S GUIDE FOR PND [FINNISH/DANISH]		
2	LP3901001	1	FRENCH SEAL FOR CAN		

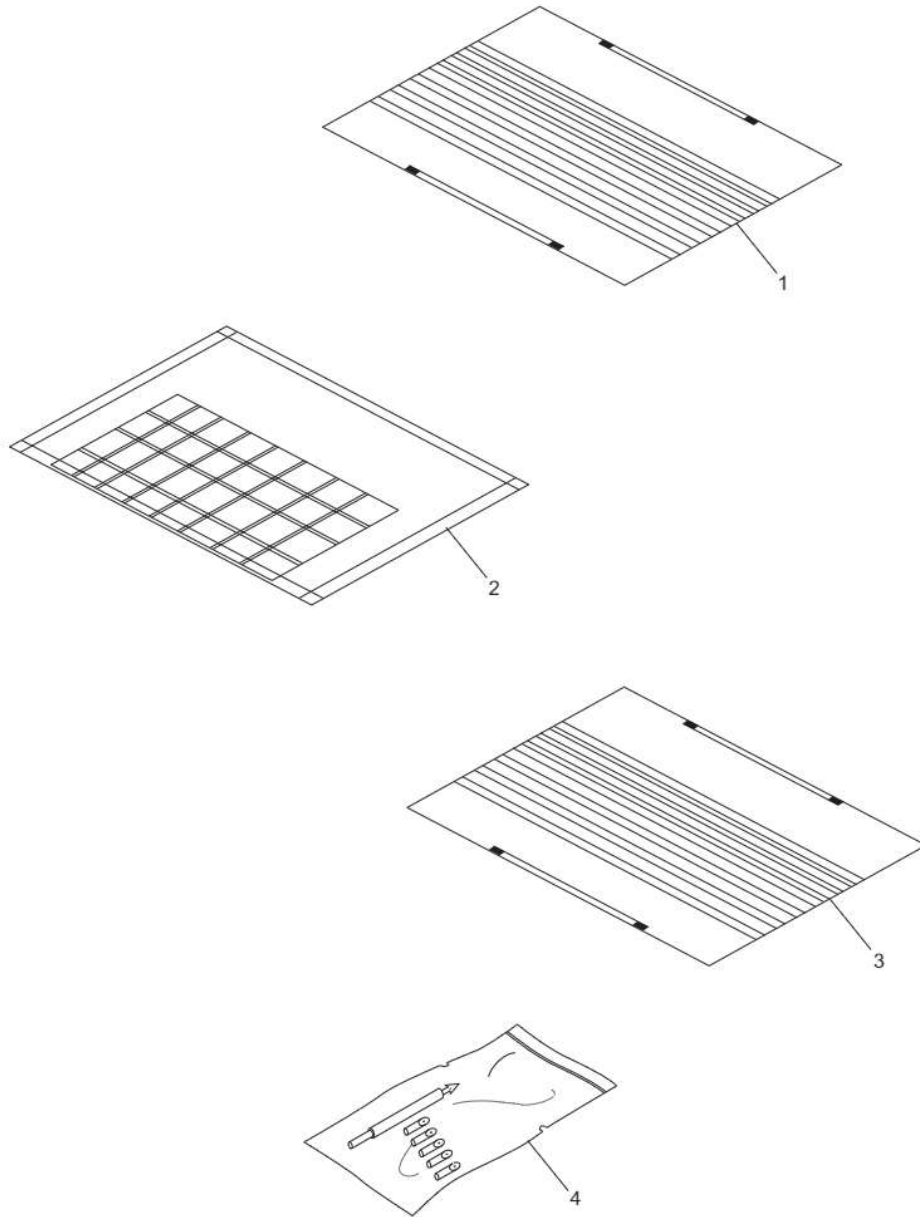
13. PACKAGING



List13(PACKAGING)

REF No	CODE	QTY	DESCRIPTION	RECOMMEND	REMARKS
1	LP3911001	1	CARTON BROTHER, MFC5460CN FOR US	√	
1	LP3914001	1	CARTON BROTHER, MFC5860CN FOR US	√	
1	LP3912001	1	CARTON BROTHER, MFC5460CN FOR CAN	√	
1	LP5237001	1	CARTON BROTHER, MFC5460CN FOR GER/AUS	√	
1	LP5291001	1	CARTON BROTHER, MFC5860CN FOR	√	
1	LP5238001	1	GER/UK/FRA/BEL/CHE/SPA/ZAF/PND CARTON BROTHER, MFC5460CN FOR	√	
1	LP5239001	1	UK/ISR/RUS/EEU CARTON BROTHER, MFC5460CN FOR FRA/BEL/NLD	√	
1	LP5240001	1	CARTON BROTHER, MFC5460CN FOR SPA/ITA/POR	√	
1	LP5718001	1	CARTON BROTHER, MFC5460CN FOR CHN	√	
1	LP5530001	1	CARTON BROTHER, MFC5460CN FOR ASA/OCE	√	
1	LP5532001	1	CARTON BROTHER, MFC5860CN FOR ASA/OCE	√	
2	LP1653001	1	PULP CUSHION ASSY, MFC5460CN		
2	LP1661001	1	PULP CUSHION ASSY, MFC5860CN		
3	LP3910001	1	QUICK SETUP GUIDE FOR US/CAN		
3	LP3910002	1	QUICK SETUP GUIDE FOR CAN [FRENCH]		
3	LP5279003	1	QUICK SETUP GUIDE FOR GER/AUS		
3	LP5279004	1	QUICK SETUP GUIDE FOR UK/ZAF		
3	LP5279005	1	QUICK SETUP GUIDE FOR FRA		
3	LP5279008	1	QUICK SETUP GUIDE FOR BEL[DUTCH]		ADD
3	LP5279010	1	QUICK SETUP GUIDE FOR CHE [GERMAN]		
3	LP5279058	1	QUICK SETUP GUIDE FOR BEL/CHE [FRENCH]		
3	LP5279015	1	QUICK SETUP GUIDE FOR SPA		
3	LP5279016	1	QUICK SETUP GUIDE FOR ITA		
3	LP5279037	1	QUICK SETUP GUIDE FOR ISR/EEU [CZECH]		
3	LP5279059	1	QUICK SETUP GUIDE FOR ISR/EEU [HUNGARIAN]		
3	LP5279018	1	QUICK SETUP GUIDE FOR POR		
3	LP5279020	1	QUICK SETUP GUIDE FOR CHN		
3	LP5279040	1	QUICK SETUP GUIDE FOR ASA/OCE		
3	LP5279048	1	QUICK SETUP GUIDE FOR RUS		
3	LP5279007	1	QUICK SETUP GUIDE FOR PND [NORWEGIAN]		
3	LP5279012	1	QUICK SETUP GUIDE FOR PND [FINNISH]		
3	LP5279013	1	QUICK SETUP GUIDE FOR PND [DANISH]		
3	LP5279026	1	QUICK SETUP GUIDE FOR PND [SWEDISH]		
4	LP3002001	1	PROTECT CARTRIDGE ASSY		
5	LE6625001	1	SHEET 400X450		
6	LP5136001	1	PE BAG 1000X850H		
7	LP1658001	1	ACCESSORIES SHEET		add

14. OTHERS



List14(OTHERS)

REF No	CODE	QTY	DESCRIPTION	RECOMMEND	REMARKS
1	UF8263001	1	TEST CHART-027		
2	UF9258001	1	COLOR TEST CHART CTC-001		
3	UF4600001	1	CONTRAST CHART TC-023		
4	ZA0310001	1	HEAD CLEANER STICK ASSY		

brother[®]

PL-FAX128
8CAB11
Ver. P-1