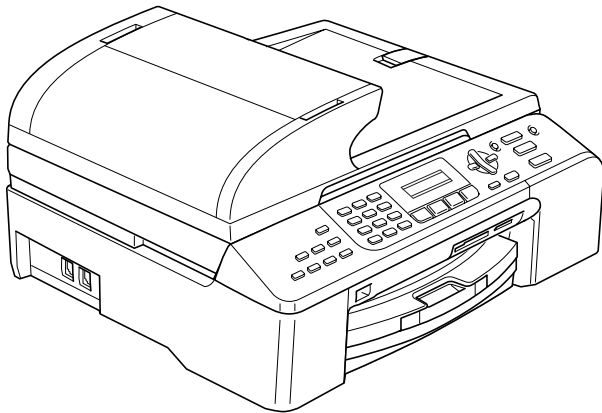


brother®

# USER'S GUIDE

---



MFC-5460CN  
MFC-5860CN

## **If you need to call Customer Service**

**Please complete the following information for future reference:**

**Model Number: MFC-5460CN and MFC-5860CN**  
**(Circle your model number)**

**Serial Number:** <sup>1</sup> \_\_\_\_\_

**Date of Purchase:** \_\_\_\_\_

**Place of Purchase:** \_\_\_\_\_

**<sup>1</sup> The serial number is on the back of the unit. Retain this User's Guide with your sales receipt as a permanent record of your purchase, in the event of theft, fire or warranty service.**

**Register your product on-line at**

**<http://www.brother.com/registration/>**

By registering your product with Brother, you will be recorded as the original owner of the product. Your registration with Brother:

- may serve as confirmation of the purchase date of your product should you lose your receipt;
- may support an insurance claim by you in the event of product loss covered by insurance; and,
- will help us notify you of enhancements to your product and special offers.

The most convenient and efficient way to register your new product is on-line at <http://www.brother.com/registration/>

# Brother numbers

## IMPORTANT

For technical help, you must call the country where you bought the machine. Calls must be made *from within* that country.

## Register your product

By registering your product with Brother International Corporation, you will be recorded as the original owner of the product. Your registration with Brother:

- may serve as confirmation of the purchase date of your product should you lose your receipt;
- may support an insurance claim by you in the event of product loss covered by insurance; and,
- will help us notify you of enhancements to your product and special offers.

Please complete and fax the Brother Warranty Registration And Test Sheet or, for your convenience and most efficient way to register your new product, register on-line at

<http://www.brother.com/registration/>

## FAQs (frequently asked questions)

The Brother Solutions Center is our one-stop resource for all your Fax Machine/Multi-Function Center needs. You can download the latest software documents and utilities, read FAQs and troubleshooting tips, and learn how to get the most from your Brother product.

<http://solutions.brother.com>



### Note

- You can check here for Brother driver updates.
- To keep your machine performance up to date, check here for the latest firmware upgrade (for Windows® only).

## For Customer Service

<b>In USA:</b>	1-800-284-4329 (voice)
	1-901-379-1215 (fax)
	1-800-284-3238 (TTY service for the hearing-impaired)
<b>In Canada:</b>	1-877-BROTHER (voice)
	(514) 685-4898 (fax)

## **Service Center Locator (USA only)**

For the location of a Brother authorized service center, call 1-800-284-4357.

## **Service Center Locations (Canada only)**

For the location of a Brother authorized service center, call 1-877-BROTHER.

## **Brother fax back system (USA only)**

---

Brother has installed an easy-to-use fax back system, so you can get instant answers to common technical questions and product information for all Brother products. This system is available 24 hours a day, 7 days a week. You can use the system to receive faxed instructions and an Index of fax back subjects.

**In USA only:**

1-800-521-2846

# Ordering accessories and supplies

For best quality results use only genuine Brother accessories, which are available at most Brother retailers. If you cannot find the accessory you need and you have a Visa, MasterCard, Discover, or American Express credit card, you can order accessories directly from Brother. (In the USA, you can visit us online for a complete selection of the Brother accessories and supplies that are available for purchase.)

**In USA:** 1-888-879-3232 (voice)  
1-800-947-1445 (fax)

<http://www.brothermall.com>

**In Canada:** 1-877-BROTHER (voice)

Description	Item
Ink Cartridge Standard <black>	LC51BK (Prints approx. 500 pages)
Ink Cartridge High Yield <black>	LC51HY-BK (Prints approx. 900 pages)
Ink Cartridge <yellow>	LC51Y (Prints approx. 400 pages)
Ink Cartridge <cyan> (blue)	LC51C (Prints approx. 400 pages)
Ink Cartridge <magenta> (red)	LC51M (Prints approx. 400 pages)
Premium Glossy Photo Paper (Letter size / 20 sheets)	BP61GLL <sup>1</sup>
(4" × 6" size / 20 sheets)	BP61GLP <sup>1</sup>
Matte Inkjet Paper (Letter size / 25 sheets)	BP60ML (USA only)
Inkjet Plain Paper (Letter size / 250 sheets)	BP60PL (USA only)
Telephone Line Cord	LG3077001 (USA only)
User's Guide	LP3292001 (English for USA and Canada) LP3292002 (French For Canada)

<sup>1</sup> Available in the USA and from November 2006 in Canada.

## **Notice - Disclaimer of Warranties (USA and Canada)**

BROTHER'S LICENSOR(S), AND THEIR DIRECTORS, OFFICERS, EMPLOYEES OR AGENTS (COLLECTIVELY BROTHER'S LICENSOR) MAKE NO WARRANTIES, EXPRESS OR IMPLIED, INCLUDING WITHOUT LIMITATION THE IMPLIED WARRANTIES OF MERCHANTABILITY AND FITNESS FOR A PARTICULAR PURPOSE, REGARDING THE SOFTWARE. BROTHER'S LICENSOR(S) DOES NOT WARRANT, GUARANTEE OR MAKE ANY REPRESENTATIONS REGARDING THE USE OR THE RESULTS OF THE USE OF THE SOFTWARE IN TERMS OF ITS CORRECTNESS, ACCURACY, RELIABILITY, CURRENTNESS OR OTHERWISE. THE ENTIRE RISK AS TO THE RESULTS AND PERFORMANCE OF THE SOFTWARE IS ASSUMED BY YOU. THE EXCLUSION OF IMPLIED WARRANTIES IS NOT PERMITTED BY SOME STATES IN THE USA AND SOME PROVINCES IN CANADA. THE ABOVE EXCLUSION MAY NOT APPLY TO YOU.

IN NO EVENT WILL BROTHER'S LICENSOR(S) BE LIABLE TO YOU FOR ANY CONSEQUENTIAL, INCIDENTAL OR INDIRECT DAMAGES (INCLUDING DAMAGES FOR LOSS OF BUSINESS PROFITS, BUSINESS INTERRUPTION, LOSS OF BUSINESS INFORMATION, AND THE LIKE) ARISING OUT OF THE USE OR INABILITY TO USE THE SOFTWARE EVEN IF BROTHER'S LICENSOR HAS BEEN ADVISED OF THE POSSIBILITY OF SUCH DAMAGES. BECAUSE SOME STATES IN THE USA AND SOME PROVINCES IN CANADA DO NOT ALLOW THE EXCLUSION OR LIMITATION OF LIABILITY FOR CONSEQUENTIAL OR INCIDENTAL DAMAGES, THE ABOVE LIMITATIONS MAY NOT APPLY TO YOU. IN ANY EVENT BROTHER'S LICENSOR'S LIABILITY TO YOU FOR ACTUAL DAMAGES FROM ANY CAUSE WHATSOEVER, AND REGARDLESS OF THE FORM OF THE ACTION (WHETHER IN CONTRACT, TORT (INCLUDING NEGLIGENCE), PRODUCT LIABILITY OR OTHERWISE), WILL BE LIMITED TO \$50.

## **Compilation and Publication Notice**

Under the supervision of Brother Industries Ltd., this manual has been compiled and published, covering the latest product descriptions and specifications.

The contents of this manual and the specifications of this product are subject to change without notice.

Brother reserves the right to make changes without notice in the specifications and materials contained herein and shall not be responsible for any damages (including consequential) caused by reliance on the materials presented, including but not limited to typographical and other errors relating to the publication.

# Brother® One Year Limited Warranty and Replacement Service (USA only)

## Who is covered:

- This limited warranty (“warranty”) is given only to the original end-use/retail purchaser (referred to in this warranty as “Original Purchaser”) of the accompanying product, consumables and accessories (collectively referred to in this warranty as “this Product”).
- If you purchased a product from someone other than an authorized Brother reseller in the United States or if the product was used (including but not limited to floor models or refurbished product), prior to your purchase you are not the Original Purchaser and the product that you purchased is not covered by this warranty.

## What is covered:

- This Product includes a Machine and Consumable and Accessory Items. Consumable and Accessory Items include but are not limited to print heads, toner, drums, ink cartridges, print cartridges, cordless handset battery, refill ribbons, therma PLUS paper and thermal paper.
- Except as otherwise provided herein, Brother warrants that the Machine and the accompanying Consumable and Accessory Items will be free from defects in materials and workmanship, when used under normal conditions.
- This warranty applies only to products purchased and used in the United States. For products purchased in, but used outside, the United States, this warranty covers only warranty service within the United States (and does not include shipping outside the United States).

## What is the length of the Warranty Periods:

- Machines: one year from the original purchase date.
- Accompanying Consumable and Accessory Items: 90 days from the original purchase date or the rated life of consumable, whichever comes first.

## What is NOT covered:

This warranty does not cover:

- 1 Physical damage to this Product;
- 2 Damage caused by improper installation, improper or abnormal use, misuse, neglect or accident (including but not limited to transporting this Product without the proper preparation and/or packaging);

- 3 Damage caused by another device or software used with this Product (including but not limited to damage resulting from use of non Brother®-brand parts and Consumable and Accessory Items);
- 4 Consumable and Accessory Items that expired in accordance with a rated life;
- 5 Problems arising from other than defects in materials or workmanship; and,
- 6 Normal Periodic Maintenance Items, such as Paper Feeding Kit, Fuser and Laser Units.

This limited warranty is VOID if this Product has been altered or modified in any way (including but not limited to attempted warranty repair without authorization from Brother and/or alteration/removal of the serial number).

## What to do if you think your Product is eligible for warranty service:

Report your issue to either our Customer Service Hotline at 1-877-BROTHER (1-877-276-8437) or to a Brother Authorized Service Center within the applicable warranty period. Supply Brother or the Brother Authorized Service Center with a copy of your dated bill of sale showing that this Product was purchased within the U.S. For the name of local Brother Authorized Service Center(s), call 1-877-BROTHER (1-877-276-8437) or visit [www.brother-usa.com](http://www.brother-usa.com).

## What Brother will ask you to do:

After contacting Brother or a Brother Authorized Service Center, you may be required to deliver (by hand if you prefer) or send the Product properly packaged, freight prepaid, to the Authorized Service Center together with a photocopy of your bill of sale.

**You are responsible for the cost of shipping, packing product, and insurance (if you desire). You are also responsible for loss or damage to this Product in shipping.**

## What Brother will do:

If the problem reported concerning your Machine and/or accompanying Consumable and Accessory Items is covered by this warranty and if you first reported the problem to Brother or an Authorized Service Center within the applicable warranty period, Brother or its Authorized Service Center will repair or replace the Machine and/or accompanying Consumable and Accessory Items at no charge to you for parts or labor. The decision as to whether to repair or replace the Machine and/or accompanying Consumable and Accessory Items is made by Brother in its sole

## Brother® One Year Limited Warranty and Replacement Service (USA only)

discretion. Brother reserves the right to supply a refurbished or remanufactured replacement Machine and/or accompanying Consumable and Accessory Items and use refurbished parts provided such replacement products conform to the manufacturer's specifications for new product/parts. The repaired or replacement Machine and/or accompanying Consumable and Accessory Items will be returned to you freight prepaid or made available for you to pick up at a conveniently located Authorized Service Center.

If the Machine and/or accompanying Consumable and Accessory Items are not covered by this warranty (either stage), you will be charged for shipping the Machine and/or accompanying Consumable and Accessory Items back to you and charged for any service and/or replacement parts/products at Brother's then current published rates.

**The foregoing are your sole (i.e., only) and exclusive remedies under this warranty.**

**What happens when Brother elects to replace your Machine:**

When a replacement Machine is authorized by Brother, and you have delivered the Machine to an Authorized Service Center, the Authorized Service Center will provide you with a replacement Machine after receiving one from Brother. If you are dealing directly with Brother, Brother will send to you a replacement Machine with the understanding that you will, after receipt of the replacement Machine, supply the required proof of purchase information, together with the Machine that Brother agreed to replace. You are then expected to pack the Machine that Brother agreed to replace in the package from the replacement Machine and return it to Brother using the pre-paid freight bill supplied by Brother in accordance with the instructions provided by Brother. Since you will be in possession of two machines, Brother will require that you provide a valid major credit card number. Brother will issue a hold against the credit card account number that you provide until Brother receives your original Product and determines that your original Product is entitled to warranty coverage. Your credit card will be charged up to the cost of a new Product only if: (i) you do not return your original Product to Brother within five (5) business days; (ii) the problems with your original Product are not covered by the limited warranty; (iii) the proper packaging instructions are not followed and has caused damage to the product; or (iv) the warranty period on your original Product has expired or

has not been sufficiently validated with a copy of the proof of purchase (bill of sale). The replacement Machine you receive (even if refurbished or remanufactured) will be covered by the balance of the limited warranty period remaining on the original Product, plus an additional thirty (30) days. You will keep the replacement Machine that is sent to you and your original Machine shall become the property of Brother. **Retain your original Accessory Items and a copy of the return freight bill, signed by the courier.**

### **Limitations:**

Brother is not responsible for damage to or loss of any equipment, media, programs or data related to the use of this Product. Except for the repair or replacement as described above, Brother shall not be liable for any direct, indirect, incidental or consequential damages or specific relief. Because some states do not allow the exclusion or limitation of consequential or incidental damages, the above limitation may not apply to you.

THIS WARRANTY IS GIVEN IN LIEU OF ALL OTHER WARRANTIES, WRITTEN OR ORAL, WHETHER EXPRESSED BY AFFIRMATION, PROMISE, DESCRIPTION, DRAWING, MODEL OR SAMPLE. ANY AND ALL WARRANTIES OTHER THAN THIS ONE, WHETHER EXPRESS OR IMPLIED, INCLUDING IMPLIED WARRANTIES OF MERCHANTABILITY AND FITNESS FOR A PARTICULAR PURPOSE, ARE HEREBY DISCLAIMED.

- This Limited Warranty is the only warranty that Brother is giving for this Product. It is the *final expression and the exclusive and only statement* of Brother's obligations to you. It replaces all other agreements and understandings that you may have with Brother or its representatives.
- This warranty gives you certain rights and you may also have other rights that may vary from state to state.
- This Limited Warranty (and Brother's obligation to you) may not be changed in any way unless you and Brother sign the same piece of paper in which we (1) refer to this Product and your bill of sale date, (2) describe the change to this warranty and (3) agree to make that change.

### **Important:**

*We recommend that you keep all original packing materials, in the event that you ship this Product.*



## **BROTHER MULTIFUNCTION CENTER / FAX MACHINE LIMITED WARRANTY (Canada only)**

Pursuant to the limited warranty of 1 year from the date of purchase for labour and parts, Brother International Corporation (Canada) Ltd. ("Brother"), or its Authorized Service Centres, will repair or replace (at Brother's sole discretion) this MFC/Fax machine free of charge if defective in material or workmanship. This warranty applies only to products purchased and used in Canada.

This limited Warranty does not include cleaning, consumables (including, without limitation, ink cartridges, print cartridges, print rolls, thermal paper rolls, toner cartridges, drum units, OPC belts, fixing units, print heads, paper feed rollers, transfer rolls, cleaning rollers, waste toner packs, oil bottles) or damage caused by accident, neglect, misuse or improper installation or operation, any damage caused from service, maintenance, modifications, or tampering by anyone other than a Brother Authorized Service Representative, or if shipped out of the country.

The use of supplies or consumable items that are non-Brother products may void your warranty. This limited warranty ceases when this machine is rented, sold, or otherwise disposed of.

Operation of the MFC/Fax machine in excess of the specifications or with the Serial Number or Rating Label removed shall be deemed abuse and all repairs thereafter shall be the sole liability of the end-user/purchaser. In order to obtain warranty service, the MFC/Fax machine must be delivered or shipped freight prepaid by the end-user/purchaser to a "Brother" Authorized Service Centre, together with your Canadian Proof of Purchase in the form of a Sales Receipt.

When shipping or transporting your MFC/Fax machine, please refer to your Operation Manual for the proper packaging procedures.

For Laser units: Failure to remove the Toner Cartridge (and Toner Drum Unit, waste toner packs or oil bottles on applicable models) during shipping or transport will cause severe damage to the Laser MFC/Fax machine and will void the Warranty.

For inkjet units: (When shipping your Inkjet MFC/Fax machine remove the ink cartridges and replace them with the original protective parts. If original protective parts are not available, leave ink cartridges installed. Please avoid shipping the unit without original protective parts or ink cartridges.) Damage to your print head resulting from packing the Inkjet MFC/Fax machine without the ink cartridges or the protective parts will void your warranty.

Improper packaging may cause severe damage to the machine during shipping and will void the warranty.

**BROTHER DISCLAIMS ALL OTHER WARRANTIES EXPRESSED OR IMPLIED INCLUDING, WITHOUT LIMITATIONS, ANY IMPLIED WARRANTIES OF MERCHANTABILITY OR FITNESS FOR A PARTICULAR PURPOSE, EXCEPT TO THE EXTENT THAT ANY WARRANTIES IMPLIED BY LAW CANNOT BE VALIDLY WAIVED.**

No oral or written information, advice or representation provided by Brother, its Authorized Service Centres, Distributors, Dealers, Agents or employees, shall create another warranty or modify this warranty. The warranty states Brother's entire liability and your exclusive remedy against Brother for any failure of the MFC/Fax machine to operate properly.

Neither Brother nor anyone else involved in the development, production, or delivery of this MFC/Fax machine shall be liable for any indirect, incidental, special, consequential, exemplary, or punitive damages, including lost profits, arising from the use of or inability to use the product, even if advised by the end user/purchaser of the possibility of such damages. Since some Provinces do not allow the above limitation of liability, such limitation, may not apply to you.

**This Limited Warranty gives you specific legal rights and you may also have other rights which vary from Province to Province.**

**Warranty Service is available at Brother Authorized Service Centres throughout Canada. For Technical Assistance or for the name and location of your nearest Authorized Service Centre call 1-877-Brother.**

At your side.  
**brother**®

**Internet support: [support@brother.ca](mailto:support@brother.ca) or browse Brother's Web Site [www.brother.ca](http://www.brother.ca).**

# Table of Contents

## Section I General

<b>1</b>	<b>General Information</b>	<b>2</b>
	Using the documentation .....	2
	Symbols and conventions used in the documentation .....	2
	Accessing the Software User's Guide and Network User's Guide .....	2
	Viewing Documentation .....	3
	Accessing Brother Support (For Windows®) .....	5
	Control panel overview .....	6
<b>2</b>	<b>Loading documents and paper</b>	<b>10</b>
	Loading documents .....	10
	Using the ADF .....	10
	Using the scanner glass .....	11
	Scannable area .....	12
	Acceptable paper and other media .....	12
	Recommended media .....	13
	Handling and using media .....	13
	Choosing the right media .....	14
	Loading paper, envelopes and other media .....	16
	Loading paper and other media .....	16
	Loading paper in paper tray#2 (MFC-5860CN only) .....	18
	Loading envelopes and post cards .....	19
	Printable Area .....	21
<b>3</b>	<b>General setup</b>	<b>22</b>
	On/Off key .....	22
	Turning the machine off .....	22
	Turning the machine on .....	22
	On/Off setting .....	22
	Mode Timer .....	23
	Paper settings .....	23
	Paper Type .....	23
	Paper Size .....	24
	Tray use in Fax mode (MFC-5860CN only) .....	24
	Tray use in Copy mode (MFC-5860CN only) .....	25
	Volume Settings .....	25
	Ring Volume .....	25
	Beeper Volume .....	25
	Speaker Volume .....	26
	Automatic Daylight Savings Time .....	26
	LCD display .....	26
	LCD Contrast .....	26

---

**4 Security features 27**

---

TX Lock ..... 27  
Setting and changing the TX Lock password ..... 27  
Turning the TX Lock on/off ..... 28

## **Section II Fax**

---

**5 Sending a fax 30**

---

Entering Fax mode ..... 30  
Faxing from the ADF ..... 30  
Faxing from the scanner glass ..... 30  
Faxing A4 size documents from the scanner glass ..... 31  
Color fax transmission ..... 31  
Canceling a fax in progress ..... 31  
Broadcasting  
    (Black & White only) ..... 31  
    Canceling a Broadcast in progress ..... 32  
Additional sending operations ..... 32  
    Sending faxes using multiple settings ..... 32  
    Contrast ..... 33  
    Changing Resolution ..... 33  
Dual access  
    (Black & White only) ..... 34  
Real time transmission ..... 34  
Overseas Mode ..... 34  
Delayed Faxing  
    (Black & White only) ..... 35  
Delayed Batch Transmission  
    (Black & White only) ..... 35  
Checking and canceling waiting jobs ..... 35  
Sending a fax manually ..... 36  
Sending a fax at the end of a conversation ..... 36  
Out of Memory message ..... 36

## **6 Receiving a Fax**

**37**

Receive modes .....	37
Choosing the Receive Mode .....	37
Using receive modes .....	38
Fax only .....	38
Fax/Tel.....	38
Manual.....	38
External TAD .....	38
Receive mode settings .....	38
Ring Delay .....	38
F/T Ring Time (Fax/Tel mode only).....	39
Easy Receive.....	39
Additional receiving operations .....	40
Printing a reduced incoming fax .....	40
Receiving a fax at the end of a conversation.....	40
Printing a fax from the memory .....	40

## **7 Telephone Services and External devices**

**41**

Voice Operations .....	41
Tone or pulse (Canada only).....	41
Fax/Tel mode when the power key is on .....	41
Fax/Tel mode when the power key is off .....	41
Telephone services.....	42
Distinctive Ring.....	42
Caller ID.....	44
Connecting an external TAD (telephone answering device).....	45
Connections.....	45
Recording an outgoing message (OGM) on an external TAD .....	46
Special line considerations .....	46
Multi-line connections (PBX) .....	47
External and extension phones .....	48
Connecting an external or extension telephone .....	48
Using external and extension telephones.....	48
If you answer a call and no one is on the line:.....	48
Using a non-Brother cordless external telephone .....	48
Using remote codes.....	48

<b>8</b>	<b>Dialing and storing numbers</b>	<b>50</b>
	How to Dial .....	50
	Manual dialing .....	50
	Speed-Dialing .....	50
	Search .....	50
	Fax Redial .....	51
	Storing numbers .....	51
	Storing a pause .....	51
	Storing Speed-Dial numbers .....	51
	Changing Speed-Dial numbers .....	52
	Setting up groups for broadcasting.....	52
	Dialing Access codes and credit card numbers.....	53
<b>9</b>	<b>Remote fax options</b>	<b>54</b>
	Fax Forwarding.....	54
	Paging .....	54
	Fax Storage .....	55
	PC Fax Receive.....	56
	Changing the destination PC.....	56
	Changing Remote Fax Options .....	57
	Turning off Remote Fax Options.....	57
	Remote Retrieval.....	58
	Setting a Remote Access Code.....	58
	Using your Remote Access Code.....	58
	Retrieving fax messages .....	59
	Changing your Fax Forwarding number .....	59
	Remote fax commands.....	60
<b>10</b>	<b>Printing Reports</b>	<b>61</b>
	Fax reports.....	61
	Transmission Verification Report.....	61
	Fax Journal (activity report).....	61
	Reports .....	62
	How to print a report.....	62
<b>11</b>	<b>Polling</b>	<b>63</b>
	Polling overview.....	63
	Polling receive .....	63
	Setup to receive polling .....	63
	Sequential polling .....	63
	Polled transmit (Black & White only).....	64
	Set up for polled transmit.....	64

## Section III Copy

<b>12</b>	<b>Making copies</b>	<b>66</b>
	How to copy .....	66
	Entering Copy mode .....	66
	Making a single copy .....	66
	Making multiple copies .....	66
	Stop copying .....	66
	Copy keys .....	67
	Changing copy quality .....	67
	Enlarging or reducing the image copied .....	68
	Copy options .....	69
	Paper options .....	72

## Section IV Walk-up Photo Printing

<b>13</b>	<b>PhotoCapture Center<sup>®</sup></b>	<b>74</b>
	PhotoCapture Center <sup>®</sup> Operations .....	74
	Printing from a media card without a PC .....	74
	Scanning to a media card without a PC .....	74
	Using PhotoCapture Center <sup>®</sup> from your computer .....	74
	Using media cards .....	74
	Media card folder structure .....	75
	How to print from a media card .....	76
	Printing the thumbnail index .....	76
	Printing Images .....	77
	DPOF printing .....	78
	PhotoCapture Center <sup>®</sup> print settings .....	79
	Print quality .....	79
	Paper Options .....	79
	Adjusting Brightness, Contrast and Color .....	79
	Cropping .....	80
	Borderless printing .....	80
	Scan to Card .....	81
	Changing the image quality .....	81
	Changing the black & white file format .....	81
	Changing the color file format .....	82
	Understanding the Error Messages .....	82

<b>14</b>	<b>PictBridge</b>	<b>83</b>
	Before Using PictBridge.....	83
	PictBridge requirements .....	83
	Using PictBridge .....	83
	Setting your digital camera .....	83
	Printing Images.....	84
	DPOF printing.....	84
	Understanding the Error Messages .....	84

## Section V Software

<b>15</b>	<b>Software and Network features</b>	<b>86</b>
-----------	--------------------------------------	-----------

## Section VI Appendixes

<b>A</b>	<b>Safety and Legal</b>	<b>88</b>
	Choosing a location .....	88
	To use the machine safely.....	89
	Important safety instructions.....	93
	Standard telephone and FCC Notices (These notices are in effect on models sold and used in the United States only.) .....	94
	Federal Communications Commission (FCC) Declaration of Conformity (USA only).....	96
	Industry Canada Compliance Statement (Canada only) .....	96
	LAN connection .....	97
	Legal limitations for copying .....	97
	Trademarks .....	98

<b>B</b>	<b>Troubleshooting and Routine Maintenance</b>	<b>99</b>
	Troubleshooting .....	99
	If you are having difficulty with your machine .....	99
	Error messages .....	105
	Transferring your faxes or Fax Journal report .....	108
	Document jam .....	109
	Printer jam or paper jam .....	110
	Dial Tone .....	112
	Phone line interference.....	112
	Routine maintenance .....	113
	Replacing the ink cartridges .....	113
	Cleaning the outside of the machine .....	115
	Cleaning the scanner.....	116
	Cleaning the machine printer platen .....	116
	Cleaning the paper pick-up roller.....	117
	Cleaning the print head .....	117
	Checking the print quality .....	118
	Checking the printing alignment .....	119
	Checking the ink volume .....	119
	Machine Information .....	120
	Checking the serial number .....	120
	Packing and shipping the machine .....	120
<b>C</b>	<b>Menu and Features</b>	<b>122</b>
	On-screen programming.....	122
	Menu table .....	122
	Memory storage.....	122
	Menu keys .....	122
	Menu Table.....	124
	Entering Text .....	132
<b>D</b>	<b>Specifications</b>	<b>133</b>
	General .....	133
	Print media.....	135
	Fax.....	136
	Copy .....	137
	PhotoCapture Center® .....	138
	PictBridge .....	138
	Scanner .....	139
	Printer .....	140
	Interfaces .....	140
	Computer requirements .....	141
	Consumable items .....	142
	Network (LAN) .....	143
<b>E</b>	<b>Glossary</b>	<b>144</b>
<b>F</b>	<b>Index</b>	<b>147</b>





# General

---

<b>General Information</b>	2
<b>Loading documents and paper</b>	10
<b>General setup</b>	22
<b>Security features</b>	27

## Using the documentation

Thank you for buying a Brother machine! Reading the documentation will help you make the most of your machine.

### Symbols and conventions used in the documentation

---

The following symbols and conventions are used throughout the documentation.

**Bold** Bold typeface identifies specific keys on the machine's control panel.

*Italics* Italicized typeface emphasizes an important point or refers you to a related topic.

`Courier New` Text in the Courier New font identifies messages on the LCD of the machine.



Warnings tell you what to do to prevent possible personal injury.



Electrical Hazard icons alert you to possible electrical shock.



Cautions specify procedures you must follow or avoid to prevent possible damage to the machine or other objects.



Notes tell you how you should respond to a situation that may arise or give tips about how the operation works with other features.



Improper Setup icons alert you to devices and operations that are not compatible with the machine.

## Accessing the Software User's Guide and Network User's Guide

This User's Guide does not contain all the information about the machine such as how to use Printer, Scanner, and PC Fax. When you are ready to learn detailed information about these operations, read the Software User's Guide and Network User's Guide that are on the CD-ROM.

## Viewing Documentation

### Viewing Documentation (For Windows®)

To view the documentation, from the **Start** menu, point to **Brother, MFC-XXXX** (where XXXX is your model name) from the programs group, and then choose **User's Guide**.

If you have not installed the software, you can find the documentation by following the instructions below:

- 1 Turn on your PC. Insert the Brother CD-ROM into your CD-ROM drive.
- 2 If the model name screen appears, click your model name.
- 3 If the language screen appears, click your language. The CD-ROM main menu will appear.



### Note

If this window does not appear, use Windows® Explorer to run the setup.exe program from the root directory of the Brother CD-ROM.

- 4 Click **User's Guide** to view the **Software User's Guide** and **Network User's Guide** in HTML format.

### How to find Scanning instructions

There are several ways you can scan documents. You can find the instructions as follows:

#### Software User's Guide

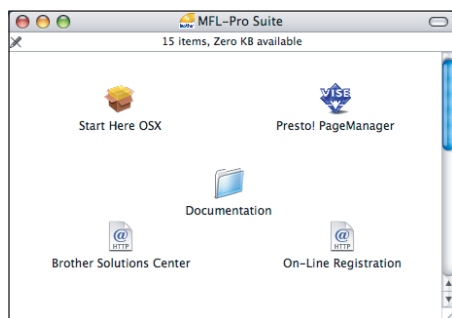
- *Scanning*  
(For Windows® 98/98SE/Me/2000 Professional and Windows® XP)
- *ControlCenter3*  
(For Windows® 98/98SE/Me/2000 Professional and Windows® XP)
- *Network Scanning*

#### PaperPort® SE with OCR User's Guide

- The complete ScanSoft® Paper Port® SE with OCR User's Guide can be viewed from the Help selection in the ScanSoft® Paper Port® SE with OCR application.

## Viewing Documentation (For Macintosh®)

- 1 Turn on your Macintosh®. Insert the Brother CD-ROM into your CD-ROM drive. The following window will appear.



- 2 Double-click the **Documentation** icon.
- 3 Double-click your language folder.
- 4 Double-click the top page file to view the **Software User's Guide** and **Network User's Guide** in HTML format.
- 5 Click the documentation you want to read.
  - **Software User's Guide**
  - **Network User's Guide**

## How to find Scanning instructions

There are several ways you can scan documents. You can find the instructions as follows:

### Software User's Guide

- *Scanning*  
(For Mac OS® X 10.2.4 or greater)
- *ControlCenter2*  
(For Mac OS® X 10.2.4 or greater)
- *Network Scanning*  
(For Mac OS® X 10.2.4 or greater)

### Presto!® PageManager® User's Guide

- The complete Presto!® PageManager® User's Guide can be viewed from the Help selection in the Presto!® PageManager® application.

# Accessing Brother Support (For Windows®)

You can find all the contacts you will need, such as Web support (Brother Solutions Center), Customer Service and Brother Authorized Service Centers on page i and on the Brother CD-ROM.

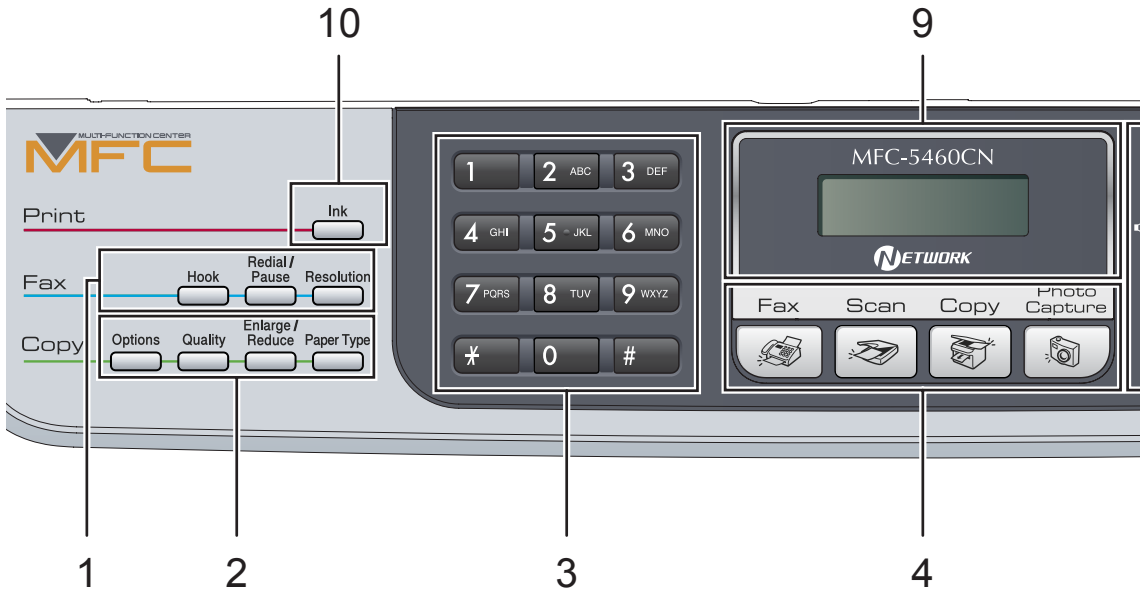
- Click **Brother Support** on the main menu. The following screen will appear:



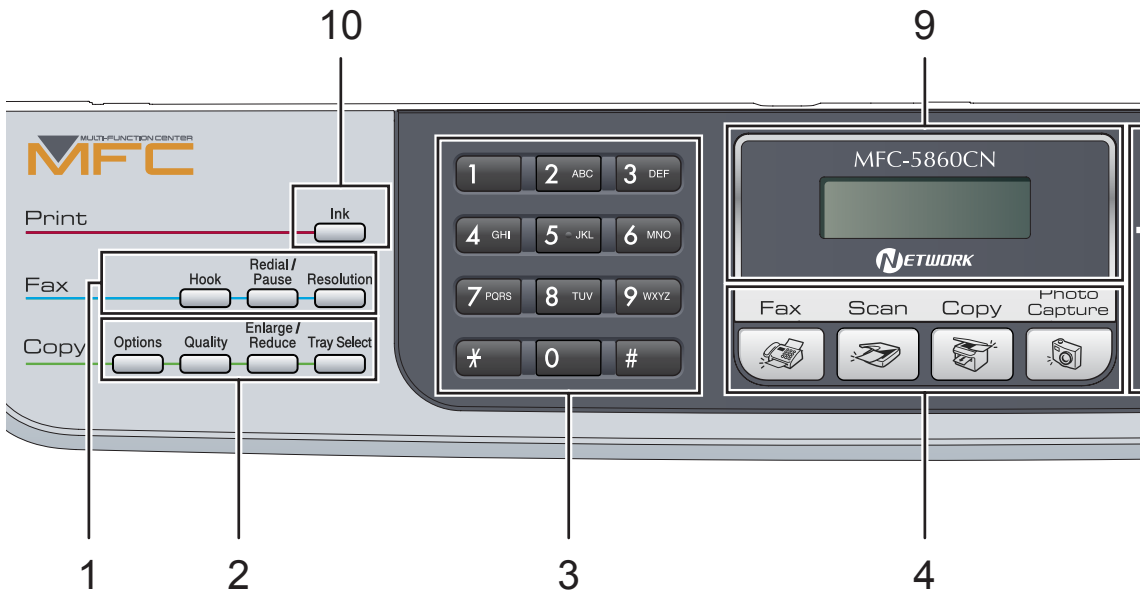
- To access our web site ([www.brother.com](http://www.brother.com)), click **Brother Home Page**.
- To view all Brother Numbers, including Customer Service numbers for the USA and Canada, click **Support Information**.
- To access the USA Brother online shopping mall ([www.brothermall.com](http://www.brothermall.com)) for additional product and services information, click **Brother Mall.com**.
- For the latest news and product support information (<http://solutions.brother.com>), click **Brother Solutions Center**.
- To return to the main page, click **Back** or if you have finished, click **Exit**.

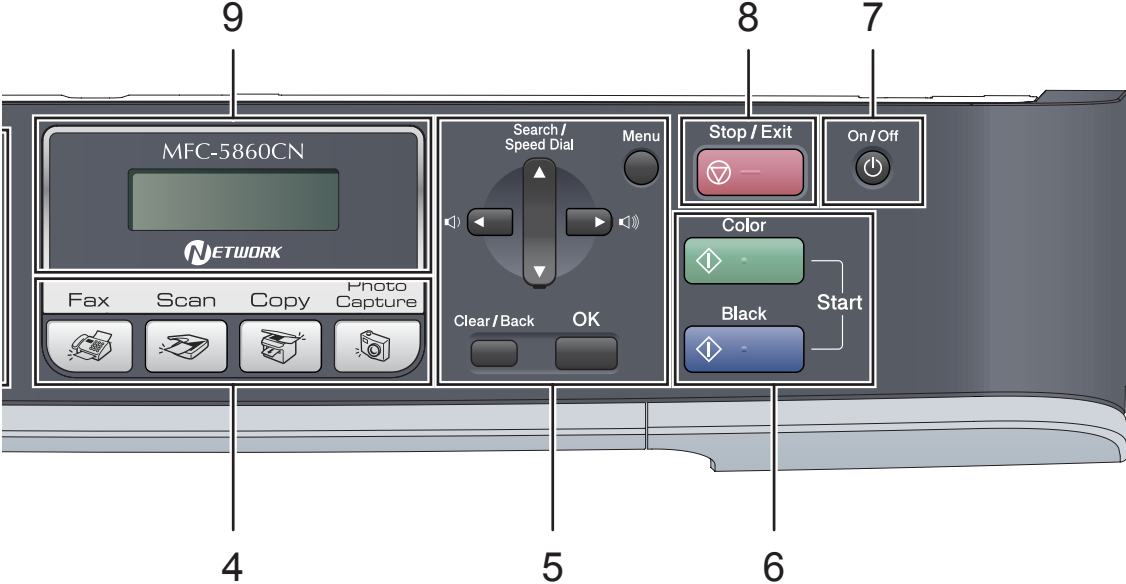
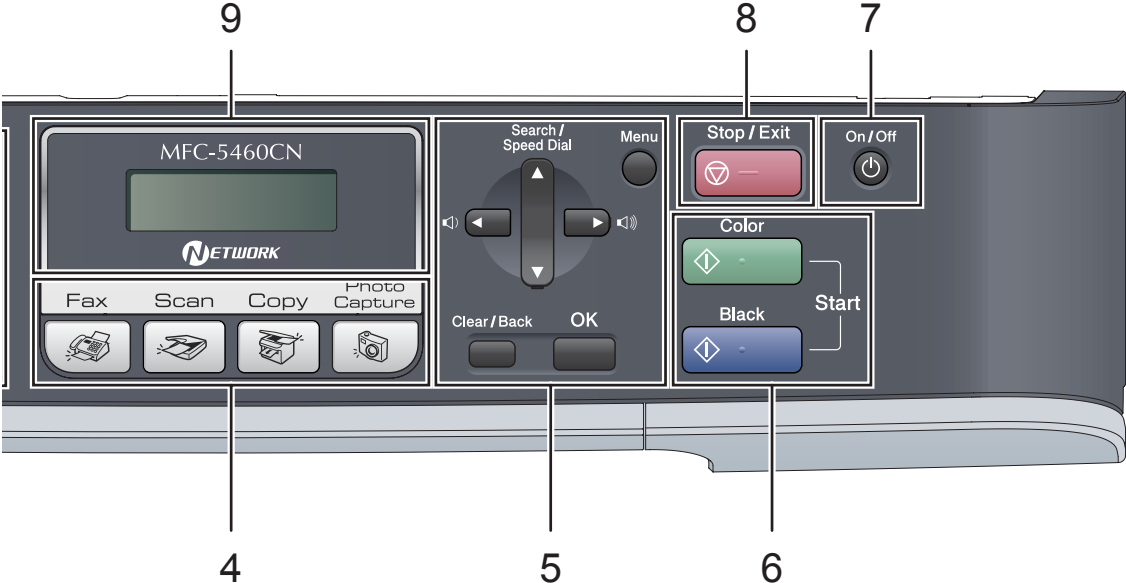
# Control panel overview

MFC-5460CN



MFC-5860CN





**Note**

Most of the illustrations in this User's Guide show the MFC-5460CN.

**1 Fax keys:**

- **Hook**

Press before dialing if you want to make sure a fax machine will answer, and then press **Black Start** or **Color Start**.

Also, press this key after picking up the handset of an external telephone during the F/T double/pseudo-ring.

- **Redial/Pause**

Redials the last number called. It also inserts a pause when programming quick dial number.

- **Resolution**

Lets you temporarily change the resolution when sending a fax.

**2 Copy keys (Temporary settings):**

- **Options**

Lets you temporarily change multiple copy settings.

- **Quality**

Lets you temporarily change the quality setting.

- **Enlarge/Reduce**

Lets you temporarily enlarge or reduce copies depending on the ratio you choose.

- **Paper Type** (MFC-5460CN only)

You can choose which type of paper you want to use for the next copy.

- **Tray Select** (MFC-5860CN only)

You can choose which tray you want to use for the next copy.

**3 Dial Pad**

Use these keys to dial telephone and fax numbers and as a keyboard for entering information into the machine.

(Canada only)

The # key lets you temporarily switch the dialing mode during a telephone call from Pulse to Tone.

**4 Mode keys:**

-  **Fax**

Lets you access Fax mode.

-  **Scan**

Lets you access Scan mode.

-  **Copy**

Lets you access Copy mode.

-  **PhotoCapture**

Lets you access PhotoCapture Center® mode.

**5 Menu keys:**

- **Menu**

Lets you access the Menu to program your settings in the machine.

- **▲ Search/Speed Dial**

Lets you look up and dial numbers that are stored in the memory.

- **Volume keys**



In Fax mode, you can press these keys to adjust the ring volume.

- **◀**

Press to scroll backward to a menu selection.

- **▲ or ▼**

Press to scroll through the menus and options.

- **Clear/Back**

Press to cancel the current setting.

- **OK**

Lets you store your settings in the machine.

**6 Start keys:**

-  **Color Start**

Lets you start sending faxes or making copies in full color. Also lets you start a scanning operation (in color or black & white, depending on the scanning setting in the ControlCenter software).

-  **Black Start**

Lets you start sending faxes or making copies in black & white. Also lets you start a scanning operation (in color or black & white, depending on the scanning setting in the ControlCenter software).



**7 On/Off**

You can turn the machine on or off.

**8  Stop/Exit**

Stops an operation or exits from a menu.

**9 LCD (liquid crystal display)**

Displays messages on the screen to help you set up and use your machine.

**10 Ink**

Lets you clean the print head, check the print quality, and check the available ink volume.

# 2

## Loading documents and paper

### Loading documents

You can send a fax, make copies, and scan from the ADF (automatic document feeder) and from the scanner glass.

### Using the ADF

The ADF can hold up to 35 pages and feeds each sheet individually. Use standard 20 lb (80 g/m<sup>2</sup>) paper and always fan the pages before putting them in the ADF.

### Recommended environment

Temperature:	68 to 86° F (20 to 30° C)
Humidity:	50% to 70%
Paper:	20 lb LTR (80 g/m <sup>2</sup> A4)

### Document Sizes Supported

Length:	5.8 to 14 in. (148 to 355.6 mm)
Width:	5.8 to 8.5 in. (148 to 215.9 mm)
Weight:	17 to 24 lb (64 to 90 g/m <sup>2</sup> )

### How to load documents

#### ! CAUTION

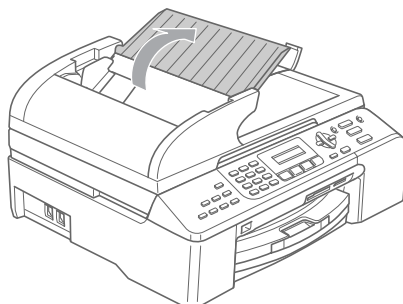
DO NOT pull on the document while it is feeding.

DO NOT use paper that is curled, wrinkled, folded, ripped, stapled, paper clipped, pasted or taped.

DO NOT use cardboard, newspaper or fabric.

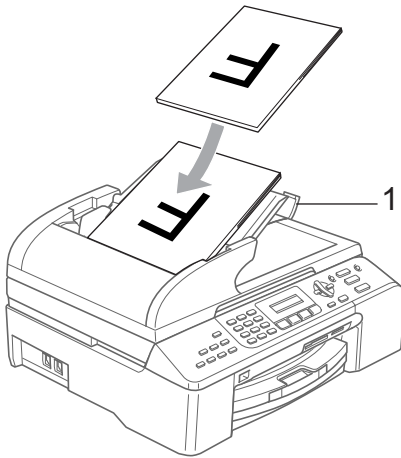
- Make sure documents written with ink are completely dry.

- 1 Unfold the ADF Document Support.



- 2 Fan the pages well. Make sure you put the documents **face up, top edge first** in the ADF until you feel them touch the feed roller.
- 3 Adjust the paper guides to fit the width of your documents.

- 4 Unfold the ADF Document Output Support Flap (1).



### ! CAUTION

DO NOT leave thick documents on the scanner glass. If you do this, the ADF may jam.

## Using the scanner glass

You can use the scanner glass to fax, copy or scan pages of a book or one page at a time.

### Document Sizes Supported

Length:	Up to 11.7 in. (297 mm)
Width:	Up to 8.5 in. (215.9 mm)
Weight:	Up to 4.4 lb (2 kg)

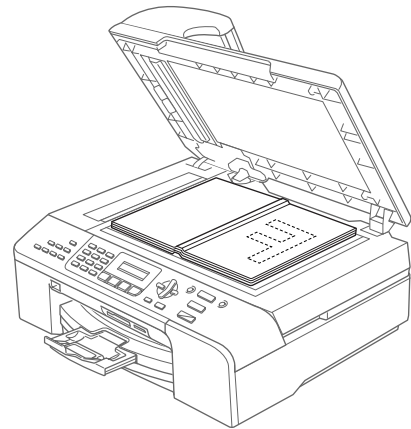
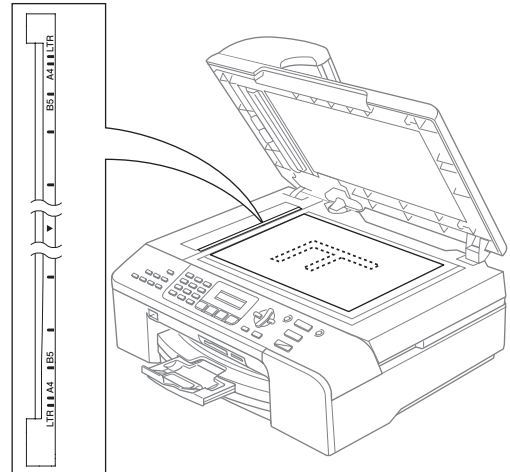
### How to load documents



#### Note

To use the scanner glass, the ADF must be empty.

- 1 Lift the document cover.
- 2 Using the document guidelines on the left, center the document face down on the scanner glass.



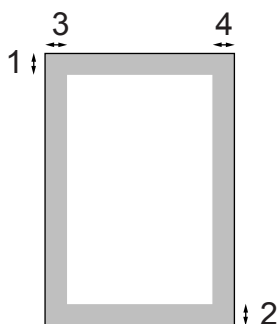
- 3 Close the document cover.

### ! CAUTION

If you are scanning a book or thick document, DO NOT slam the cover or press on it.

## Scannable area

The scannable area depends on the settings in the application you are using. The figures below show the areas you cannot scan on paper.



Usage	Document Size	Top (1) Bottom (2)	Left (3) Right (4)
Fax	Letter	0.12 in. (3 mm)	0.16 in. (4 mm)
	A4	0.12 in. (3 mm)	0.04 in. (1 mm)
Copy	Letter	0.12 in. (3 mm)	0.12 in. (3 mm)
	A4	0.12 in. (3 mm)	0.12 in. (3 mm)
Scan	Letter	0.12 in. (3 mm)	0.12 in. (3 mm)
	A4	0.12 in. (3 mm)	0 in. (0 mm)

## Acceptable paper and other media

The print quality can be affected by the type of paper you are using in the machine.

To get the best print quality for the settings you have chosen, always set the Paper Type to match the type of paper you load.

You can use plain paper, inkjet paper (coated paper), glossy paper, transparencies and envelopes.

We recommend testing various paper types before buying large quantities.

For best results, use Brother paper.

- When you print on inkjet paper (coated paper), transparencies and photo paper, be sure to choose the proper media in the 'Basic' tab of the printer driver or in the Paper Type setting of the menu (See *Paper Type* on page 23).
- When you print on Brother photo paper, load the instruction sheet included with the photo paper in the paper tray first, and then put the glossy paper on top of the instruction sheet.
- When you use transparencies or glossy paper, remove each sheet at once to prevent smudging or paper jams.
- Avoid touching the printed surface of the paper immediately after printing; the surface may not be completely dry and may stain your fingers.

## Recommended media

To get the best print quality, we suggest using Brother paper. (See table below.)

We recommend using '3M Transparency Film' when you print on transparencies.

### Brother paper

Paper Type	Item
Letter Plain (USA only)	BP60PL
Letter Glossy Photo	BP61GLL <sup>1</sup>
Letter Inkjet (Matte) (USA only)	BP60ML
4 x 6 in. Glossy Photo	BP61GLP <sup>1</sup>

<sup>1</sup> Available in the USA and from November 2006 in Canada.

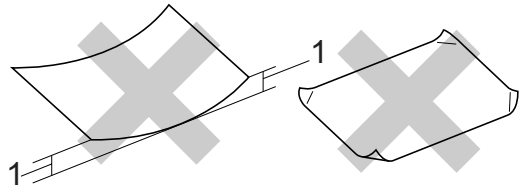
## Handling and using media

- Store paper in its original packaging, and keep it sealed. Keep the paper flat and away from moisture, direct sunlight and heat.
- The coated side of photo paper is shiny. Avoid touching the shiny (coated) side. Load glossy paper with the shiny side facing down.
- Avoid touching either side of transparencies because they absorb water and perspiration easily, and this may cause decreased output quality. Transparencies designed for laser printers/copiers may stain your next document. Use only transparencies recommended for inkjet printing.

### Improper Setup

DO NOT use the following kinds of paper:

- Damaged, curled, wrinkled, or irregularly shaped paper



**1** 0.08 in. (2 mm) or longer

- Extremely shiny or highly textured paper
- Paper already printed on by a printer
- Paper that cannot be arranged uniformly when stacked
- Paper made with a short grain

### Paper capacity of the output paper tray

Up to 50 sheets of 20 lb Letter or 80 g/m<sup>2</sup> A4 paper.

- Transparencies or glossy paper must be picked up from the output paper tray one page at a time to avoid smudging.

## Choosing the right media

### Paper type and size for each operation

Paper Type	Paper Size		Usage			
			Fax	Copy	Photo Capture	Printer
Cut Sheet	Letter	8 1/2 × 11 in. (216 × 279 mm)	Yes	Yes	Yes	Yes
	A4	8.3 × 11.7 in. (210 × 297 mm)	Yes	Yes	Yes	Yes
	Legal	8 1/2 × 14 in. (216 × 356 mm)	Yes	Yes	–	Yes
	Executive	7 1/4 × 10 1/2 in. (184 × 267 mm)	–	–	–	Yes
	JIS B5	7.2 × 10.1 in. (182 × 257 mm)	–	–	–	Yes
	A5	5.8 × 8.3 in. (148 × 210 mm)	–	Yes	–	Yes
	A6	4.1 × 5.8 in. (105 × 148 mm)	–	–	–	Yes
Cards	Photo	4 × 6 in. (10 × 15 cm)	–	Yes	Yes	Yes
	Photo 2L	5 × 7 in. (13 × 18 cm)	–	–	Yes	Yes
	Index Card	5 × 8 in. (127 × 203 mm)	–	–	–	Yes
	Post Card 1	3.9 × 5.8 in. (100 × 148 mm)	–	–	–	Yes
	Post Card 2 (Double)	5.8 × 7.9 in. (148 × 200 mm)	–	–	–	Yes
Envelopes	C5 Envelope	6.4 × 9 in. (162 × 229 mm)	–	–	–	Yes
	DL Envelope	4.3 × 8.7 in. (110 × 220 mm)	–	–	–	Yes
	COM-10	4 1/8 × 9 1/2 in. (105 × 241 mm)	–	–	–	Yes
	Monarch	3 7/8 × 7 1/2 in. (98 × 191 mm)	–	–	–	Yes
	JE4 Envelope	4.1 × 9.3 in. (105 × 235 mm)	–	–	–	Yes
	Transparencies	Letter	8 1/2 × 11 in. (216 × 279 mm)	–	Yes	–
A4		8.3 × 11.7 in. (210 × 297 mm)	–	Yes	–	Yes

## Paper weight, thickness and capacity

Paper Type		Weight	Thickness	No. of sheets
Cut Sheet	Plain Paper (Tray #1) (MFC-5860CN)	17 to 32 lb (64 to 120 g/m <sup>2</sup> )	0.003 to 0.006 in. (0.08 to 0.15 mm)	100 <sup>1</sup>
	Plain Paper (Tray #2) (MFC-5860CN)	17 to 28 lb (64 to 105 g/m <sup>2</sup> )	0.003 to 0.006 in. (0.08 to 0.15 mm)	250 <sup>2</sup>
	Inkjet Paper	17 to 53 lb (64 to 200 g/m <sup>2</sup> )	0.003 to 0.01 in. (0.08 to 0.25 mm)	20
	Glossy Paper	Up to 58 lb (Up to 220 g/m <sup>2</sup> )	Up to 0.01 in. (Up to 0.25 mm)	20
Cards	Photo 4" × 6"	Up to 64 lb (Up to 240 g/m <sup>2</sup> )	Up to 0.01 in. (Up to 0.28 mm)	20
	Index Card	Up to 32 lb (Up to 120 g/m <sup>2</sup> )	Up to 0.006 in. (Up to 0.15 mm)	30
	Post Card	Up to 53 lb (Up to 200 g/m <sup>2</sup> )	Up to 0.01 in. (Up to 0.23 mm)	30
Envelopes		20 to 25 lb (75 to 95 g/m <sup>2</sup> )	Up to 0.02 in. (Up to 0.52 mm)	10
Transparencies		–	–	10

<sup>1</sup> Up to 50 sheets for Legal size paper 20 lb (80 g/m<sup>2</sup>).

Up to 100 sheets of 20 lb (80 g/m<sup>2</sup>) paper.

<sup>2</sup> Up to 250 sheets of 20 lb (80 g/m<sup>2</sup>) paper.

# Loading paper, envelopes and other media

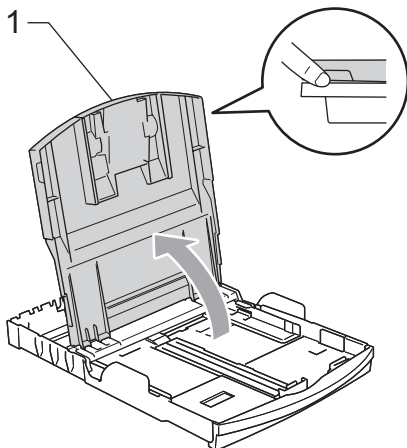
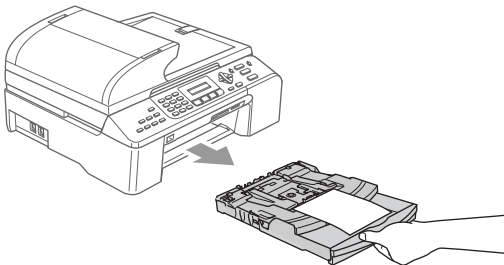


## Note

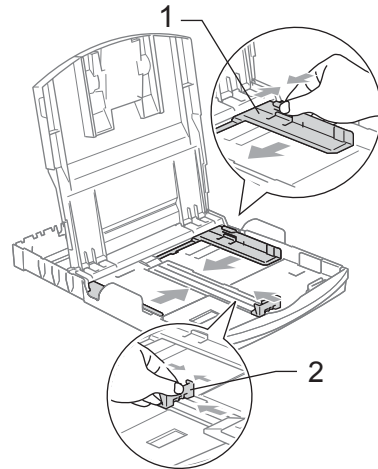
- For Tray#2, see *Loading paper in paper tray#2 (MFC-5860CN only)* on page 18.
- If you are using Auto Select (MFC-5860CN only), after refilling the paper tray you should open and close the scanner cover to reset the machine.

## Loading paper and other media

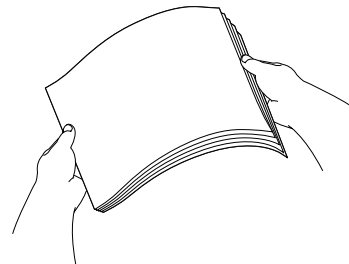
- 1 Pull the paper tray completely out of the machine.  
If the paper support flap is open, close it and lift the output paper tray cover (1).



- 2 Press and slide the paper side guides (1) and paper length guide (2) to fit the paper size.



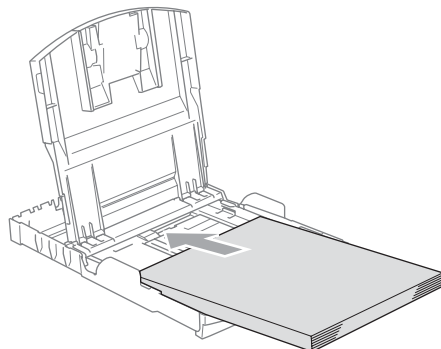
- 3 Fan the stack of paper well to avoid paper jams and misfeeds.



## Note

Always make sure that the paper is not curled.

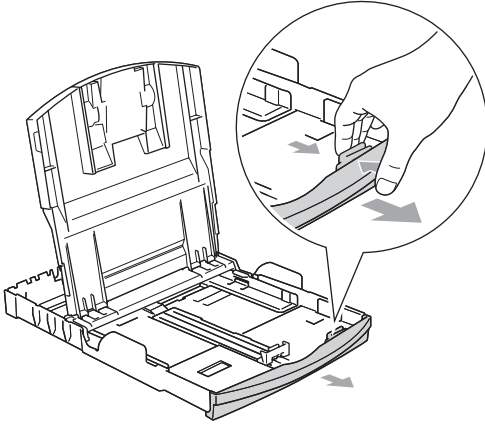
- 4 Gently put the paper into the paper tray print side down and top edge first. Check that the paper is flat in the tray.



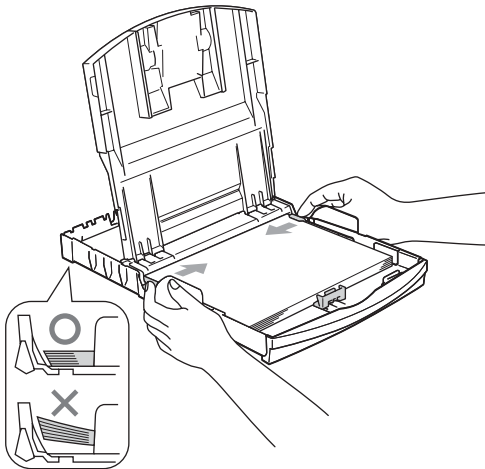


**Note**

When you use Legal size paper, press and hold the universal size guide release button as you slide out the front of the paper tray.

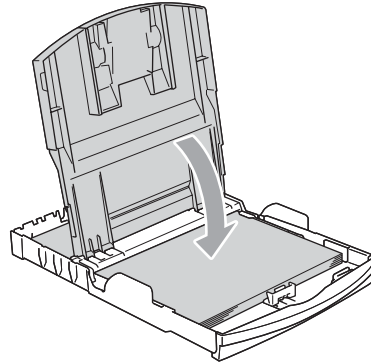


- 5 Gently adjust the paper side guides with both hands to fit the paper. Make sure the paper side guides touch the sides of the paper.

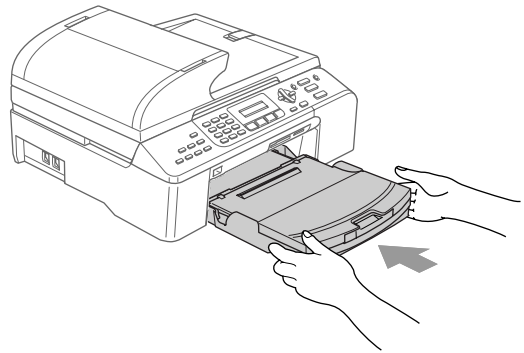
**Note**

Be careful that you do not push the paper in too far; it may lift at the back of the tray and cause feed problems.

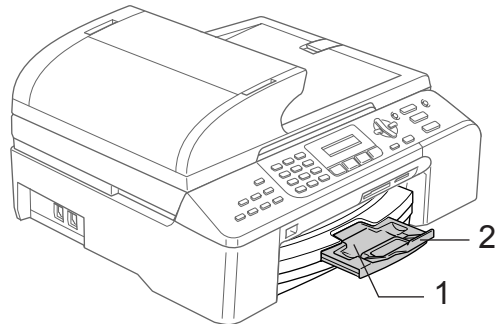
- 6 Close the output paper tray cover.



- 7 Slowly push the paper tray completely into the machine.



- 8 While holding the paper tray in place, pull out the paper support (1) until it clicks and unfold the paper support flap (2).

**Note**

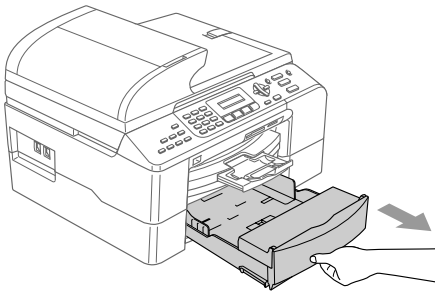
Do not use the paper support flap for Legal paper.

## Loading paper in paper tray#2 (MFC-5860CN only)

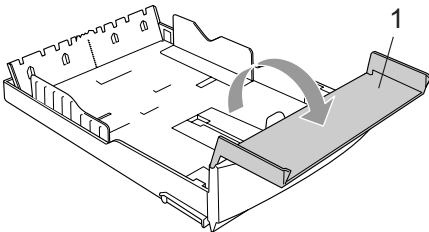
### Note

You can only use plain paper sizes Letter, Legal, A4, Executive or JIS B5 in Tray#2.

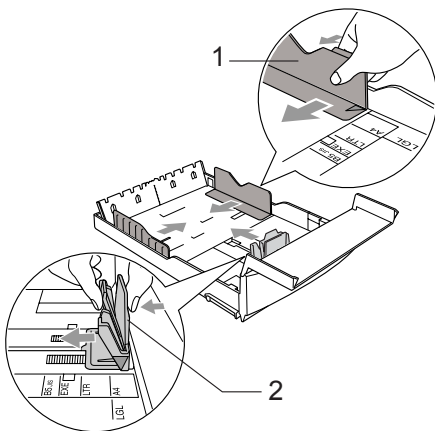
- 1 Pull the paper tray completely out of the machine.



- 2 Open the tray cover (1).

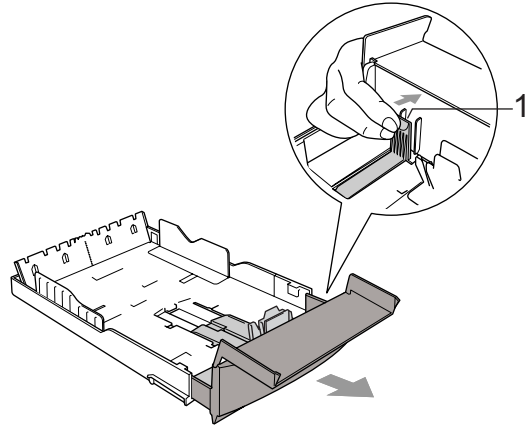


- 3 Press and slide the paper side guides (1) and paper length guide (2) to fit the paper size. Make sure that the triangular marks on the paper side guides (1) and paper length guide (2) line up with the mark for the paper size you are using.



### Note

When you are using Legal size paper, press and hold the universal guide release button (1) as you slide out the front of the paper tray.

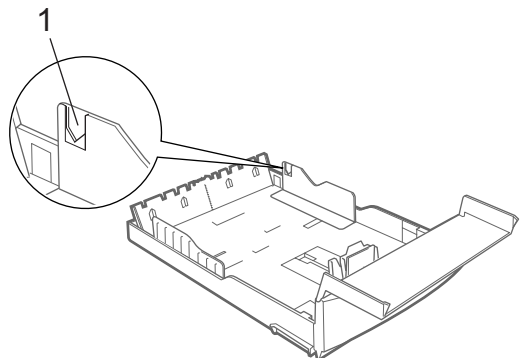


- 4 Fan the stack of paper well to avoid paper jams and misfeeds.

### Note

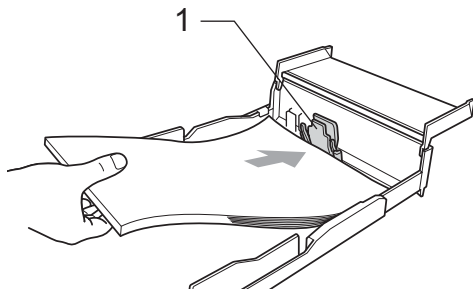
Always make sure that the paper is not curled.

- 5 Gently put the paper into the paper tray print side down and top edge first. Check that the paper is flat in the tray and below the maximum paper mark (1).

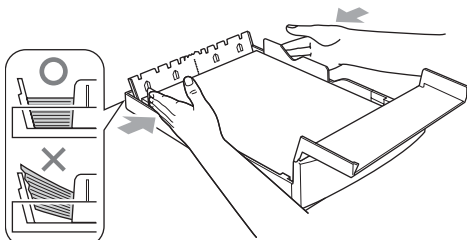


 **Note**

When you put the paper into the paper tray, slide the paper in making sure that it touches the paper length guide (1) first, then gently lower the other end of the paper.

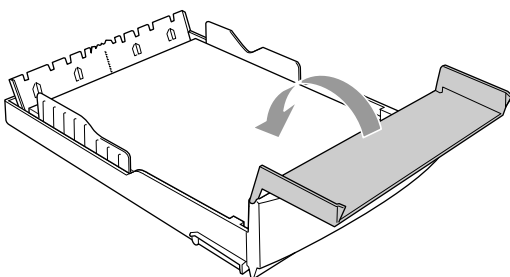


- 6** Gently adjust the paper side guides with both hands to fit the paper. Make sure the paper side guides touch the sides of the paper.

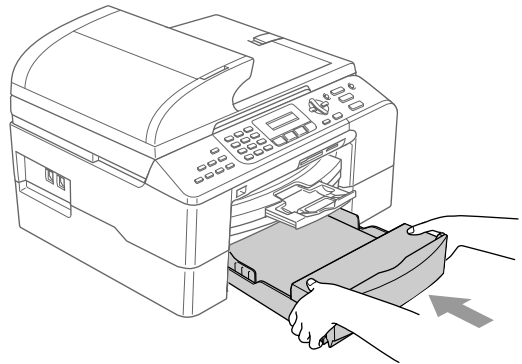
 **Note**

Be careful that you do not push the paper in too far; it may lift at the back of the tray and cause feed problems.

- 7** Close the tray cover.



- 8** Push the paper tray firmly back into the machine.

 **Note**

If you are using Auto Select, after refilling the paper tray you should open and close the scanner cover to reset the machine.

## Loading envelopes and post cards

### Loading envelopes

- Use envelopes that weigh from 20 to 25 lb (75 to 95 g/m<sup>2</sup>).
- Some envelopes need margin settings to be set in the application. Make sure you do a test print first.

### CAUTION

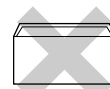
Do not use any of the following types of envelopes, as they will cause paper feed problems:

- If they are of a baggy construction.
- That are embossed (have raised writing on them).
- That have clasps or staples.
- That are pre-printed on the inside.

#### Glue



#### Double flap



Occasionally you may experience paper feed problems caused by the thickness, size and flap shape of the envelopes you are using.

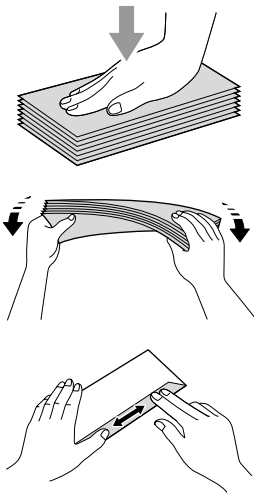
## How to load envelopes and post cards

- 1 Before loading, press the corners and sides of the envelopes or post cards to make them as flat as possible.

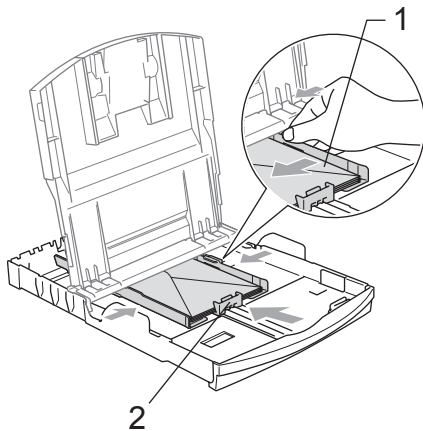


### Note

If the envelopes or post cards are 'double-feeding,' put one envelope or post card in the paper tray at a time.

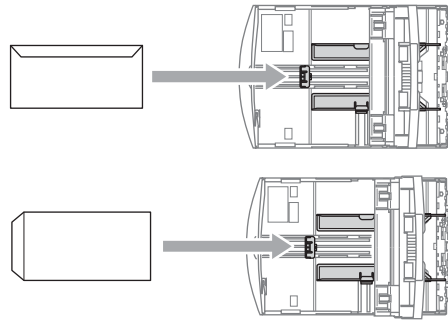


- 2 Put the envelopes or post cards into the paper tray with the address side down and the leading edge in first as shown in the illustration. Press and slide the paper side guides (1) and paper length guide (2) to fit the size of the envelopes or post cards.



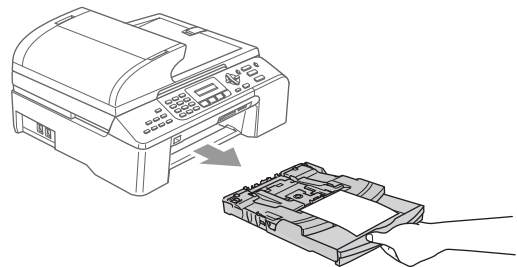
## If you have problems when printing on envelopes, try the following suggestions:

- 1 Open the envelope flap.
- 2 Make sure the open flap is either to the side of the envelope or to the back edge of the envelope when printing.
- 3 Adjust the size and margin in your application.



## Removing small printouts from the machine

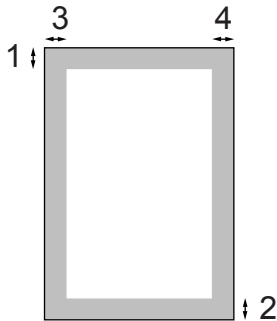
When the machine ejects small paper onto the output paper tray, you may not be able to reach it. Make sure printing has finished, and then pull the tray completely out of the machine.



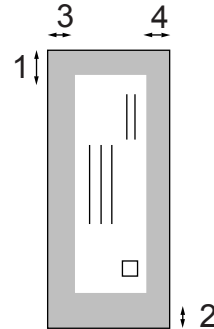
## Printable Area

The printable area depends on the settings in the application you are using. The figures below show the unprintable areas on cut sheet paper and envelopes. The machine can only print in the shaded areas when the Borderless print feature is available and turned on.

### Cut Sheet Paper



### Envelopes



	Top (1)	Bottom (2)	Left (3)	Right (4)
Cut Sheet	0.12 in. (3 mm)	0.12 in. (3 mm)	0.12 in. (3 mm)	0.12 in. (3 mm)
Envelopes	0.47 in. (12 mm)	0.95 in. (24 mm)	0.12 in. (3 mm)	0.12 in. (3 mm)



### Note

The Borderless feature is not available for envelopes.

# 3

## General setup

### On/Off key

When the machine is idle, you can turn it on and off by pressing the **On/Off** key.



#### Note

If you have connected an external telephone or TAD, it is always available.

### Turning the machine off

- 1 Press and hold down the **On/Off** key until the LCD shows *Shutting Down*. The LCD light goes off.

### Turning the machine on

- 1 Press and hold down the **On/Off** key until the LCD shows *Please Wait*. The LCD shows the date and time.

### On/Off setting

You can customize the machine's **On/Off** key. The default setting is *Fax Receive:Off*. Your machine will not work when it is switched off, but it will clean the print head periodically. If you turn this setting to *Fax Receive:On*, you can receive faxes or calls even when the machine is switched off. (See *On/Off key* on page 22.)

- 1 Press **Menu**, **1**, **6**.
- 2 Press **▲** or **▼** to choose *Fax Receive:On*, or *Fax Receive:Off*. Press **OK**.
- 3 Press **Stop/Exit**.

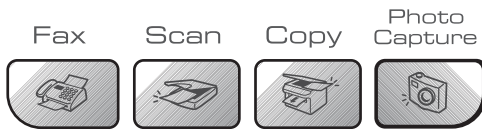
On/Off setting	Receive mode	Available operations
Fax Receive: Off (default)	—	No machine operations will be available.
Fax Receive: On	Fax Only External TAD	Fax Receive Easy Receive Delayed Fax <sup>1</sup> Remote Fax Options <sup>1</sup> Remote Retrieval <sup>1</sup>  ■ You cannot receive a fax with <b>Black Start</b> or <b>Color Start</b> .
	Manual Fax/Tel <sup>2</sup>	Easy Receive Delayed Fax <sup>1</sup>  ■ You cannot receive a fax with <b>Black Start</b> or <b>Color Start</b> .

<sup>1</sup> Should be set before you switch off the machine.

<sup>2</sup> You cannot receive a fax automatically even if you have set the receive mode to *Fax/Tel*.

## Mode Timer

The machine has four temporary mode keys on the control panel: **Fax**, **Scan**, **Copy** and **Photo Capture**. You can change the amount of time the machine takes after the last Scan, Copy or PhotoCapture operation before it returns to Fax mode. If you choose *Off*, the machine stays in the mode you used last.



- 1 Press **Menu**, **1**, **1**.
- 2 Press **▲** or **▼** to choose 0 Sec, 30 Secs, 1 Min, 2 Mins, 5 Mins or Off. Press **OK**.
- 3 Press **Stop/Exit**.

## Paper settings

### Paper Type

To get the best print quality, set the machine for the type of paper you are using.

- 1 Press **Menu**, **1**, **2**.
- 2 Press **▲** or **▼** to choose Plain Paper, Inkjet Paper, Brother Photo, Other Photo or Transparency. Press **OK**.
- 3 Press **Stop/Exit**.



#### Note

- The machine ejects paper with printed surfaces face up onto the paper tray in the front of the machine. When you use transparencies or glossy paper, remove each sheet at once to prevent smudging or paper jams.
- (MFC-5860CN only)  
You can only use plain paper in Tray#2.

## Paper Size

---

You can use five sizes of paper for printing copies: Letter, Legal, A4, A5, and 4 × 6 in. (10 × 15 cm) and three sizes for printing faxes: Letter, Legal and A4. When you change the size of paper you load in the machine, you will need to change the paper size setting at the same time so your machine can fit an incoming fax on the page.

- 1 Press **Menu**, **1**, **3**.
- 2 (MFC-5860CN only)  
Press ▲ or ▼ to choose `Tray#1` or `Tray#2`.  
Press **OK**.
- 3 Press ▲ or ▼ to choose `Letter`, `Legal`, `A4`, `A5` or `4"x6"`.  
Press **OK**.
- 4 Press **Stop/Exit**.



### Note

---

(MFC-5860CN only)

You can only use plain paper sizes Letter, Legal or A4 in Tray#2.

---

## Tray use in Fax mode (MFC-5860CN only)

---

You can change the default tray the machine will use for printing received faxes.

`Auto Select` will allow your machine to take paper from Tray#1 first, or from Tray#2 if:

- Tray#1 is out of paper.
- Tray#2 is set to a different paper size that is more suitable for the received faxes.
- Both trays are using the same size paper and Tray#1 is not set to use plain paper.

- 1 Press **Menu**, **1**, **9**.
- 2 Press ▲ or ▼ to choose `Tray#1 Only`, `Tray#2 Only` or `Auto Select`.  
Press **OK**.
- 3 Press **Stop/Exit**.



### Note

---

You can only use plain paper sizes Letter, Legal or A4 in Tray#2.

---



## Tray use in Copy mode (MFC-5860CN only)

You can change the default tray the machine will use for printing copies.

`Auto Select` will allow your machine to take paper from Tray#2 if both trays are using paper that is the same type and size and if Tray#1 is out of paper.

To change the default settings follow the instructions below:

- 1 Press **Menu**, **1**, **8**.
- 2 Press **▲** or **▼** to choose `Tray#1 Only`, `Tray#2 Only` or `Auto Select`. Press **OK**.
- 3 Press **Stop/Exit**.






### Note

You can only use plain paper sizes Letter, Legal or A4 in Tray#2.

## Volume Settings

### Ring Volume

You can choose a range of ring volume levels, from `Off` to `High`.

While in Fax mode , press  or  to adjust the volume level. The LCD shows the current setting, and each key press will change the volume to the next level. The machine will keep the new setting until you change it.

You can also change the volume through the menu, by following the instructions below:

### Setting the Ring Volume from the menu

- 1 Press **Menu**, **1**, **4**, **1**.
- 2 Press **▲** or **▼** to choose `Off`, `Low`, `Med` or `High`. Press **OK**.
- 3 Press **Stop/Exit**.

### Beeper Volume

When the beeper is on, the machine will beep when you press a key, make a mistake or after you send or receive a fax.

You can choose a range of volume levels, from `Off` to `High`.

- 1 Press **Menu**, **1**, **4**, **2**.
- 2 Press **▲** or **▼** to choose `Off`, `Low`, `Med` or `High`. Press **OK**.
- 3 Press **Stop/Exit**.

## Speaker Volume

---

You can choose a range of speaker volume levels, from *Off* to *High*.

- 1 Press **Menu**, **1**, **4**, **3**.
- 2 Press **▲** or **▼** to choose *Off*, *Low*, *Med* or *High*. Press **OK**.

- 3 Press **Stop/Exit**.

You can also adjust the speaker volume by pressing **Hook**.

- 1 Press **Hook**.
- 2 Press **⏮** or **⏭**.  
This setting will stay until you change it again.

## Automatic Daylight Savings Time

You can set the machine to change automatically for daylight savings time. It will reset itself forward one hour in the Spring and backward one hour in the Fall. Make sure you have set the correct date and time in the *Date/Time* setting.

- 1 Press **Menu**, **1**, **5**.
- 2 Press **▲** or **▼** to choose *On* or *Off*. Press **OK**.
- 3 Press **Stop/Exit**.

## LCD display

### LCD Contrast

---

You can adjust the LCD contrast for a sharper and more vivid display. If you are having difficulty reading the LCD, try changing the contrast setting.

- 1 Press **Menu**, **1**, **7**.
- 2 Press **▲** or **▼** to choose *Light* or *Dark*. Press **OK**.
- 3 Press **Stop/Exit**.

## TX Lock

TX Lock lets you prevent unauthorized access to the machine.

While TX Lock is On, the following operations are available:

- Receiving faxes
- Fax Forwarding (If Fax Forwarding was already On)
- Remote retrieval (If Fax Storage was already On)

While TX Lock is On, the following operations are NOT available:

- Sending faxes
- Copying
- PC printing
- Scanning
- PhotoCapture

## Setting and changing the TX Lock password

---

### Setting up the password



#### Note

---

- If you forget the TX Lock password, please call your Brother Customer Service.
- If you have already set the password, you will not need to set it again.

- 
- 1 Press **Menu**, **2**, **0**, **1**.
  - 2 Enter a 4-digit number for the password. Press **OK**.
  - 3 When the LCD shows *Verify:*, re-enter the password. Press **OK**.
  - 4 Press **Stop/Exit**.

## Changing the TX Lock password

- 1 Press **Menu**, **2**, **0**, **1**.
- 2 Press **▲** or **▼** to choose `Set Password`. Press **OK**.
- 3 Enter a 4-digit number for the current password. Press **OK**.
- 4 Enter a 4-digit number for the new password. Press **OK**.
- 5 When the LCD shows `Verify:`, re-enter the password. Press **OK**.
- 6 Press **Stop/Exit**.

## Turning the TX Lock on/off

---

### Turning TX Lock on

- 1 Press **Menu**, **2**, **0**, **1**.
- 2 Press **▲** or **▼** to choose `Set TX Lock`. Press **OK**.
- 3 Enter the registered 4-digit password. Press **OK**.  
The machine goes offline and the LCD shows `TX Lock Mode`.

### Turning TX Lock off

- 1 Press **Menu**.
- 2 Enter the registered 4-digit password. Press **OK**.  
TX lock is automatically turned off.



### Note

---

If you enter the wrong password, the LCD shows `Wrong Password` and stays offline. The machine will stay in TX Lock mode until the registered password is entered.

---



# Fax


---

<b>Sending a fax</b>	30
<b>Receiving a Fax</b>	37
<b>Telephone Services and External devices</b>	41
<b>Dialing and storing numbers</b>	50
<b>Remote fax options</b>	54
<b>Printing Reports</b>	61
<b>Polling</b>	63

# 5


## Sending a fax

### Entering Fax mode

To enter fax mode, press  (**Fax**), and the key will glow green.

The LCD will show the new job number and the memory available. The number of pages you can scan into the memory will vary depending on the data that is printed on them.

### Faxing from the ADF

- 1 Make sure you are in Fax mode .
- 2 Put the document face up in the ADF.
- 3 Dial the fax number.
- 4 Press **Black Start** or **Color Start**. The machine starts scanning the document.



#### Note

- To cancel, press **Stop/Exit**.
- If the memory is full, the fax will be sent in real time.

### Faxing from the scanner glass


You can use the scanner glass to fax pages of a book one at a time. The documents can be up to letter or A4 size.

You cannot send multiple pages for color faxes.



#### Note

Since you can only scan one page at a time, it is easier to use the ADF if you are sending a multiple page document.

- 1 Make sure you are in Fax mode .
- 2 Load your document on the scanner glass.
- 3 Dial the fax number.
- 4 Press **Black Start** or **Color Start**.
  - If you press **Black Start**, the machine starts scanning the first page. Go to step 5.
  - If you press **Color Start**, the machine starts sending the document.
- 5 Do one of the following:
  - To send a single page, press **2** to choose **No.** (or press **Black Start** again).  
The machine starts sending the document.
  - To send more than one page, press **1** to choose **Yes** and go to step 6.
- 6 Put the next page on the scanner glass. Press **OK**.  
The machine starts scanning the page. (Repeat step 5 and step 6 for each additional page.)




#### Note

If the memory is full and you are faxing a single page, it will be sent in real time.

## Faxing A4 size documents from the scanner glass

When documents are A4 size, you need to set Scan Size to A4. If you do not, the bottom portion of the faxes will be missing.

- 1 Make sure you are in Fax mode .
- 2 Press **Menu**, **2**, **2**, **0**.
- 3 Press **▲** or **▼** to choose **A4**. Press **OK**.

## Color fax transmission

Your machine can send a color fax to machines that support this feature.

However, color faxes cannot be stored in the memory. When you send a color fax, the machine will send it in real time (even if **Real Time TX** is set to **Off**).


## Canceling a fax in progress

If you want to cancel a fax while the machine is scanning, dialing or sending, press **Stop/Exit**.

## Broadcasting (Black & White only)

Broadcasting is when the same fax message is automatically sent to more than one fax number. You can include Groups, Speed-Dial numbers and up to 50 manually dialed numbers in the same broadcast.

After the broadcast is finished, a Broadcast Report will be printed.

- 1 Make sure you are in Fax mode .
- 2 Load your document.
- 3 Enter a number. Press **OK**. You can use either a Speed-Dial, a Group, or a manually entered number using the dial pad.
- 4 Repeat step 3 until you have entered all the fax numbers you wish to broadcast to.
- 5 Press **Black Start**.

### Note

- If you did not use up any of the numbers for Groups or access codes or credit card numbers, you can 'broadcast' faxes to as many as 150 different numbers.
- The available memory will vary depending on the types of jobs in the memory and the number of locations used for broadcasting. If you broadcast to the maximum numbers available, you will not be able to use dual access.
- Enter the long dialing sequence numbers as you would normally, but remember that each Speed-Dial number counts as one number, so the number of locations you can store becomes limited.
- If the memory is full, press **Stop/Exit** to stop the job. If more than one page has been scanned, press **Black Start** to send the portion that is in the memory.

## Canceling a Broadcast in progress


- 1 Press **Menu**, **2**, **6**.  
The LCD will show the fax number being dialed.
- 2 Press **OK**.  
The LCD will show the job number:  

XXXXXXXXXX  
1.Clear 2.Exit
- 3 Press **1** to clear.  
The LCD will then show the Broadcast job number and 1.Clear 2.Exit.
- 4 To cancel the Broadcast, press **1**.
- 5 Press **Stop/Exit**.

## Additional sending operations

### Sending faxes using multiple settings

When you send a fax you can choose any combination of these settings: resolution, contrast, overseas mode and real time transmission.

- 1 Make sure you are in Fax mode .
- 2 Load your document.
- 3 Choose a setting you want to change. Press **OK**.
- 4 Choose one of the options below:  

Other Settings  
1.Yes 2.No

  - Press **1** to change another setting.
  - Press **2** when you have finished choosing your settings.
- 5 Send the fax as usual.




## Contrast

If your document is very light or very dark, you may want to change the contrast.

Use **Light** when sending a light document.

Use **Dark** when sending a dark document.

- 1 Make sure you are in Fax mode .
- 2 Load your document.
- 3 Press **Menu**, **2**, **2**, **1**.
- 4 Press **▲** or **▼** to choose **Auto**, **Light** or **Dark**. Press **OK**.



### Note


Even if you choose **Light** or **Dark**, the machine will send the fax using the **Auto** setting in any of the following conditions:

- When you send a color fax.
- When you choose **Photo** as the Resolution.


## Changing Resolution

The quality of a fax can be improved by changing the resolution. Resolution can be changed for the next fax *or* for all faxes.

### To change the resolution for the *next* fax

- 1 Make sure you are in Fax mode .
- 2 Load your document.
- 3 Press **Resolution** then **▲** or **▼** to choose the resolution. Press **OK**.

### To change the default resolution

- 1 Make sure you are in Fax mode .
- 2 Press **Menu**, **2**, **2**, **2**.
- 3 Press **▲** or **▼** to choose the resolution you want. Press **OK**.



### Note

You can choose four different resolution settings for black & white faxes and two for color.

#### Black & White

Standard	Suitable for most typed documents.
Fine	Good for small print and transmits a little slower than Standard resolution.
S.Fine	Good for small print or artwork and transmits slower than Fine resolution.
Photo	Use when the document has varying shades of gray or is a photograph. This has the slowest transmission.

#### Color

Standard	Suitable for most typed documents.
Fine	Use when the document is a photograph. The transmission time is slower than Standard resolution.

If you choose **S.Fine** or **Photo** and then use the **Color Start** key to send a fax, the machine will send the fax using the **Fine** setting.

## Dual access (Black & White only)

You can dial a number and start scanning the fax into memory—even when the machine is sending from memory, receiving faxes or printing PC data. The LCD shows the new job number and available memory.

The number of pages you can scan into the memory will vary depending on the data that is printed on them.



### Note

If the **Out of Memory** message appears while scanning documents, press **Stop/Exit** to cancel or **BlackStart** to send the scanned pages.

## Real time transmission

When you are sending a fax, the machine will scan the documents into the memory before sending. Then, as soon as the phone line is free, the machine will start dialing and sending.

If the memory is full or you are sending a color fax, the machine will send the document in real time (even if **Real Time TX** is set to **Off**).



Sometimes, you may want to send an important document immediately, without waiting for memory transmission. You can set **Real Time TX** to **On** for all documents or **Next Fax Only** for the next fax only.




### Note

In **Real Time Transmission**, the automatic redial feature does not work when using the scanner glass.

## Sending in real time for all faxes


- 1 Make sure you are in Fax mode .
- 2 Press **Menu, 2, 2, 5**.  

- 3 Press **▲** or **▼** to choose **On** or **Off**. Press **OK**.

## Sending in real time for the next fax only

- 1 Make sure you are in Fax mode .
- 2 Press **Menu, 2, 2, 5**.
- 3 Press **▲** or **▼** to choose **Next Fax Only**. Press **OK**.
- 4 Press **▲** or **▼** to choose **On** (or **Off**). Press **OK**.


## Overseas Mode

If you are having difficulty sending a fax overseas due to possible interference on the phone line, we recommend that you turn on the **Overseas mode**. After you send a fax using this feature, the feature will turn itself off.

- 1 Make sure you are in Fax mode .
- 2 Load your document.
- 3 Press **Menu, 2, 2, 7**.
- 4 Press **▲** or **▼** to choose **On** (or **Off**). Press **OK**.

## Delayed Faxing (Black & White only)

During the day you can store up to 50 faxes in the memory to be sent within 24-hours. These faxes will be sent at the time of day you enter in step 4.

- 1 Make sure you are in Fax mode .
- 2 Load your document.
- 3 Press **Menu, 2, 2, 3**.

Setup Send  
 3.Delayed Fax

- 4 Do one of the following:
  - Press **OK** to accept the displayed time.
  - Enter the time you want the fax to be sent (in 24-hour format).  
 (For example, enter 19:45 for 7:45 PM.)  
 Press **OK**.




### Note

The number of pages you can scan into the memory depends on the amount of data that is printed on each page.

## Delayed Batch Transmission (Black & White only)

Before sending the delayed faxes, your machine will help you economize by sorting all the faxes in the memory by destination and scheduled time. All delayed faxes that are scheduled to be sent at the same time to the same fax number will be sent as one fax to save transmission time.

- 1 Make sure you are in Fax mode .
- 2 Press **Menu, 2, 2, 4**.
- 3 Press **▲** or **▼** to choose On (or Off). Press **OK**.
- 4 Press **Stop/Exit**.


## Checking and canceling waiting jobs

You can check which jobs are still waiting in the memory to be sent and cancel a job. (If there are no jobs, the LCD shows No Jobs Waiting.)

- 1 Press **Menu, 2, 6**.  
Any waiting jobs appear on the LCD.
- 2 Press **▲** or **▼** to scroll through the jobs and choose the job you want to cancel. Press **OK**.
- 3 Do one of the following:
  - Press **1** to cancel it.
  - Press **2** to exit without canceling.
- 4 When you have finished, press **Stop/Exit**.


## Sending a fax manually

Manual transmission lets you hear the dialing, ringing and fax-receiving tones while sending a fax.

- 1 Make sure you are in Fax mode .
- 2 Load your document.
- 3 Pick up the handset of an external phone or press **Hook** and listen for a dial tone.
- 4 Dial the fax number you want to call.
- 5 When you hear the fax tone, press **Black Start** or **Color Start**.
  - If you are using the scanner glass press **1** to send a fax.
- 6 If you picked up the handset of an external phone replace it.

## Sending a fax at the end of a conversation

At the end of a conversation you can send a fax to the other party before you both hang up.

- 1 Ask the other party to wait for fax tones (beeps) and then to press the Start or Send key before hanging up.
- 2 Make sure you are in Fax mode .
- 3 Load your document.
- 4 Press **Black Start** or **Color Start**.
  - If you are using the scanner glass press **1** to send a fax.

1.Send 2.Receive

- 5 Replace the handset of an external phone.

## Out of Memory message

If you get an **Out of Memory** message while scanning the first page of a fax, press **Stop/Exit** to cancel the fax.

If you get an **Out of Memory** message while scanning a subsequent page, you will have the option to press **Black Start** to send the pages scanned so far, or to press **Stop/Exit** to cancel the operation



### Note

If you get an **Out of Memory** message while faxing and you do not want to delete your stored faxes to clear the memory, you can send the fax in real time. (See *Real time transmission* on page 34.)

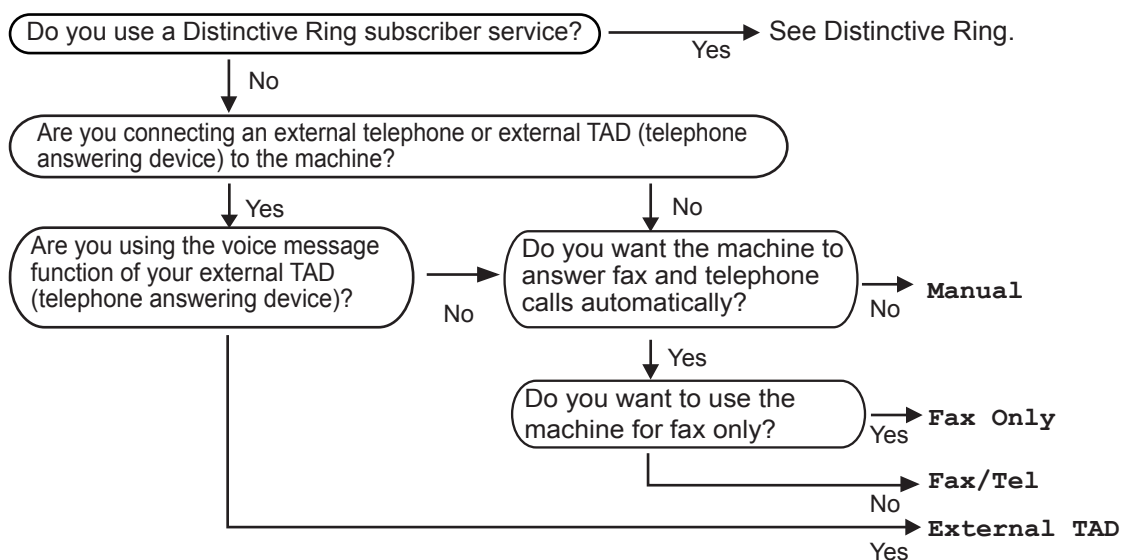
## Receive modes

You must choose a receive mode depending on the external devices and telephone subscriber services you have on your line.

### Choosing the Receive Mode

The diagram below will help you choose the correct mode.

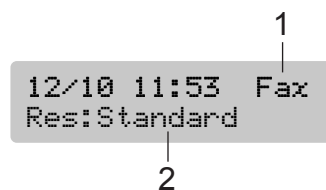
For more detailed information on the receive modes see *Using receive modes* on page 38.



To choose or change your Receive Mode.

- 1 Press **Menu**, **0**, **1**.
- 2 Press **▲** or **▼** to choose **Fax Only**, **Fax/Tel**, **External TAD** or **Manual**. Press **OK**.
- 3 Press **Stop/Exit**.

The LCD will display the current receive mode.



- 1 **Current receive mode**  
Fax: Fax Only
- 2 **Fax resolution**

## Using receive modes

Some receive modes answer automatically (Fax Only and Fax/Tel). You may want to change the ring delay before using these modes. (See *Ring Delay* on page 38.)

### Fax only

Fax only mode will automatically answer every call. If the call is a fax your machine will receive it.

### Fax/Tel

Fax/Tel mode helps you automatically manage incoming calls, by recognizing whether they are fax or voice calls and handling them in one of the following ways:

- Faxes will be automatically received.
- Voice calls will start the F/T ring to tell you to pick up the line. The F/T ring is a fast double ring made by your machine.

Also see *F/T Ring Time (Fax/Tel mode only)* on page 39 and *Ring Delay* on page 38.

### Manual

Manual mode turns off all automatic answering functions unless you are using the Distinctive Ring feature.

To receive a fax in manual mode press **Black Start** or **Color Start** when you hear fax tones (short repeating beeps). You can also use the Easy Receive feature to receive faxes by lifting a handset on the same line as the machine.

Also see *Easy Receive* on page 39.

## External TAD

External TAD mode lets an external answering device manage your incoming calls. Incoming calls will be handled in one of the following ways:

- Faxes will be automatically received.
- Voice callers can record a message on the external TAD.

For more information see *Connecting an external TAD (telephone answering device)* on page 45.

## Receive mode settings

### Ring Delay

The Ring Delay sets the number of times the machine rings before it answers in Fax Only or Fax/Tel mode. If you have external or extension phones on the same line as the machine or subscribe to the telephone company's Distinctive Ring service, choose the maximum number of rings.

(See *Using external and extension telephones* on page 48 and *Easy Receive* on page 39.)

- 1 Press **Menu, 2, 1, 1**.
- 2 Press **▲** or **▼** to choose how many times the line rings before the machine answers (00-04). Press **OK**.  
If you choose 00, the line will not ring at all.
- 3 Press **Stop/Exit**.

## F/T Ring Time (Fax/Tel mode only)

If you set the Receive Mode to **Fax/Tel**, you need to decide how long the machine will signal you with its special pseudo/double-ring when you have a voice call. If it's a fax call, the machine receives the fax.

This pseudo/double-ring happens after the initial ringing from the phone company. Only the machine rings and no other phones on the same line will ring with the special pseudo/double-ring. However, you can still answer the call on any telephone.

- 1 Press **Menu**, **2**, **1**, **2**.
- 2 Press **▲** or **▼** to choose how long the machine will ring to alert you that you have a voice call (20, 30, 40 or 70 seconds). Press **OK**.
- 3 Press **Stop/Exit**.



### Note

Even if the caller hangs up during the pseudo/double-ringing, the machine will continue to ring for the set time.

## Easy Receive

### If Easy Receive is On:

The machine receives fax calls automatically, even if you lift the handset of an extension or external phone. When you see **Receiving** on the LCD or when you hear 'chirps' through the handset of an extension phone connected to another telephone wall jack, just replace the handset and your machine will do the rest.

### If Easy Receive is Off:

You have to lift the handset of an external phone, and then press **Black Start** or **Color Start** on the machine.

If you are not at your machine, press **\* 5 1** on the extension phone. (See *Using external and extension telephones* on page 48.)



### Note

- If this feature is set to **On**, but your machine does not connect a fax call when you lift an extension or external phone handset, press the fax receive code **\* 5 1**.
- If you send faxes from a computer on the same phone line and the machine intercepts them, set Easy Receive to **Off**.


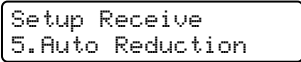
- 1 Press **Menu**, **2**, **1**, **3**.
- 2 Press **▲** or **▼** to choose **On** (or **Off**). Press **OK**.
- 3 Press **Stop/Exit**.

## Additional receiving operations

### Printing a reduced incoming fax

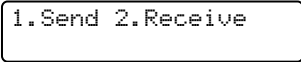
If you choose **On**, the machine automatically reduces each page of an incoming fax to fit on one page of A4, Letter or Legal size paper.

The machine calculates the reduction ratio by using the page size of the fax and your Paper Size setting (**Menu, 1, 3**).

- 1 Make sure you are in Fax mode .
- 2 Press **Menu, 2, 1, 5**.  

- 3 Use **▲** or **▼** to choose **On** or **Off**. Press **OK**.
- 4 Press **Stop/Exit**.

### Receiving a fax at the end of a conversation

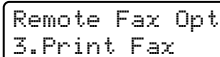
At the end of a conversation you can ask the other party to send you a fax before you both hang up.

- 1 Ask the other party to place the document in their machine and to press **Start** or **Send** key.
- 2 When you hear the CNG tones (slowly repeating beeps), press **Black Start** or **Color Start**.
- 3 Press **2** to receive a fax.  

- 4 Replace the external handset.

### Printing a fax from the memory

If you are using the Paging or Fax Storage feature (**Menu, 2, 5, 1**), you can still print a fax from the memory when you are at your machine. (See *Turning off Remote Fax Options* on page 57.)

- 1 Press **Menu, 2, 5, 3**.



- 2 Press **Black Start**.



## Voice Operations

Voice calls can be made either with an extension or external telephone.

### Tone or pulse (Canada only)

---

If you are using an external phone and have a pulse dialing service, but need to send tone signals (for example, for telephone banking), follow the instructions below. If you have Touch Tone service, you will not need this feature to send tone signals.

- 1 Lift the handset of the external phone.
- 2 Press **#** on the control panel of your machine. Any digits dialed after this will send tone signals.  
When you hang up, the machine will return to the pulse dialing service.

### Fax/Tel mode when the power key is on

---

When the machine is in Fax/Tel mode, it will use the F/T Ring Time (pseudo/double-ringing) to alert you to pick up a voice call.

If you are at an extension phone, you'll need to lift the handset during the F/T Ring Time and then press **# 5 1** between the pseudo/double rings. If no one is on the line, or if someone wants to send you a fax, send the call back to the machine by pressing **\* 5 1**.

### Fax/Tel mode when the power key is off

---

You can change the default setting of the **On/Off** key to **Fax Receive:On** so that you can receive faxes when the power key is off. (See *On/Off setting* on page 22.) Fax/Tel mode will work in the following ways.

Fax/Tel mode does not work when the power key is off. The machine will not answer telephone or fax calls and will keep ringing. If you are at an external or extension phone, lift the handset and talk. If you hear fax tones, hold the handset until Easy Receive activates your machine. If the other party says they want to send you a fax, activate the machine by pressing **\* 5 1**.

## Telephone services

Your machine supports the Caller ID and Distinctive Ring subscriber telephone services that some telephone companies offer.

Features like Voice Mail, Call Waiting, Call Waiting/Caller ID, RingMaster, answering services, alarm systems or other custom features on one phone line may affect the way your machine works. If you have Voice Mail on your phone line, please read the following carefully.

### Distinctive Ring

Brother uses the term 'Distinctive Ring' but different telephone companies have other names for this service such as SmartRing, RingMaster, Teen-Ring, Indent-a-Call or Indent-a-Ring.

#### What does your telephone company's 'Distinctive Ring' do?

Your telephone company's Distinctive Ring service allows you to have more than one number on the same phone line. **If you need more than one phone number, it is cheaper than paying for an extra line.** Each phone number has its own distinctive ring pattern, so you will know which phone number is ringing. This is one way you can have a separate phone number for your machine.



#### Note

Please call your telephone company for availability and rates.

#### What does Brother's 'Distinctive Ring' do?

The Brother machine has a Distinctive Ring feature that allows you to use your machine to take full advantage of the telephone company's Distinctive Ring service. The new phone number on your line can just receive faxes.



#### Note

You must pay for your telephone company's Distinctive Ring service before you program the machine to work with it.

#### Do you have Voice Mail?

If you have Voice Mail on the phone line that you will install your new machine on, *there is a strong possibility that Voice Mail and the machine will conflict with each other while receiving incoming calls.* **However, the Distinctive Ring feature allows you to use more than one number on your line, so both Voice Mail and the machine can work together without any problems.** If each one has a separate phone number, neither will interfere with the other's operations.

If you decide to get the Distinctive Ring service from the telephone company, you will need to follow the directions on next page to 'register' the new Distinctive Ring pattern they give you. This is so your machine can recognize its incoming calls.







#### Note

You can change or cancel the Distinctive Ring pattern at any time. You can switch it off temporarily, and turn it back on later. When you get a new fax number, make sure you reset this feature.

## Before you choose the ring pattern to register

You can only register one Distinctive Ring pattern with the machine. Some ring patterns cannot be registered. The ring patterns below are supported by your Brother machine. Register the one your telephone company gives you.

Ring Pattern	Rings	
1	long-long	
2	short-long-short	
3	short-short-long	
4	very long (normal pattern)	



### Note

If the ring pattern you received is not on this chart, **please call your telephone company and ask for one that is shown.**

- The machine will only answer calls to its registered number.
- The first two rings are silent on the machine. This is because the fax must 'listen' to the ring pattern (to compare it to the pattern that was 'registered'). (Other telephones on the same line will ring.)
- If you program the machine properly, it will recognize the registered ring pattern of the 'fax number' within 2 ring patterns and then answer with a fax tone. When the 'voice number' is called, the machine will not answer.

## Registering the Distinctive Ring pattern

### Very Important!

After you have set the Distinctive Ring feature to on, the receive mode is set to `Manual` automatically. You cannot change the receive mode to another mode while the Distinctive Ring is set to on.

- 1 Press **Menu, 2, 0, 3.**

```
Miscellaneous
3.Distinctive
```

- 2 Press **▲** or **▼** to choose `Set`. Press **OK**.
- 3 Press **▲** or **▼** to choose the stored ring pattern you want to use. Press **OK**.  
(You hear each pattern as you scroll through the four patterns. Make sure you choose the pattern that the telephone company gave you.)
- 4 Press **Stop/Exit**.  
Distinctive Ring is now set to on.

## Turning off Distinctive Ring

- 1 Press **Menu, 2, 0, 3.**
- 2 Press **▲** or **▼** to choose `Off`. Press **OK**.
- 3 Press **Stop/Exit**.



### Note

If you turn off Distinctive Ring, the machine will stay in `Manual` receive mode. You will need to set the Receive Mode again. (See *Choosing the Receive Mode* on page 37.)

## Caller ID

The Caller ID feature lets you use the Caller ID subscriber service offered by many local telephone companies. Call your telephone company for details. This service shows the telephone number, or name if it is available, of your caller as the line rings.

After a few rings, the LCD shows the telephone number of your caller (and name, if available). Once you pick up the external phone's handset, the Caller ID information disappears from the LCD, but the call information stays stored in the Caller ID memory.

- You can see the first 16 characters of the number (or name).
- The `Out of Area` message means the call originated outside your Caller ID service area.
- The `Private Call` message means the caller has intentionally blocked transmission of information.

You can print a list of the Caller ID information received by your machine. (See *Printing Caller ID List* on page 44.)



### Note

Caller ID service varies with different carriers. Call your local telephone company to find out about the kind of service available in your area.

## Viewing Caller ID List

Your machine stores information for the last thirty calls in the Caller ID list. You can view or print this list. When the thirty-first call comes in to the machine, it replaces information about the first call.

- 1 Press **Menu, 2, 0, 4**.
- 2 Press **▲** or **▼** to choose `Display#`. Press **OK**.  
The Caller ID of the last call will appear on the display. If no ID is stored, the beeper will sound and `No Caller ID` will appear on the display.
- 3 Press **▲** or **▼** to scroll through the Caller ID memory to choose the Caller ID you want to view, and then press **OK**.  
The LCD shows the caller's number and the date and time of the call.
- 4 Do one of the following:
  - To return to the Caller ID listing, press **▲** or **▼**.
  - To finish viewing, press **Stop/Exit**.

## Printing Caller ID List

- 1 Press **Menu, 2, 0, 4**.
- 2 Press **▲** or **▼** to choose `Print Report`. Press **OK**.  
If no ID is stored, the beeper will sound and `No Caller ID` will appear on the LCD.
- 3 Press **Black Start** or **Color Start**.
- 4 After printing has finished, press **Stop/Exit**.

## Connecting an external TAD (telephone answering device)

You may choose to connect an external answering device. However, when you have an **external** TAD on the same telephone line as the machine, the TAD answers all calls and the machine 'listens' for fax calling (CNG) tones. If it hears them, the machine takes over the call and receives the fax. If it does not hear CNG tones, the machine lets the TAD continue playing your outgoing message so your caller can leave you a voice message.

The TAD must answer within four rings (the recommended setting is two rings). The machine cannot hear CNG tones until the TAD has answered the call, and with four rings there are only 8 to 10 seconds of CNG tones left for the fax 'handshake'. Make sure you carefully follow the instructions in this guide for recording your outgoing message. We do not recommend using the toll saver feature on your external answering machine if it exceeds five rings.

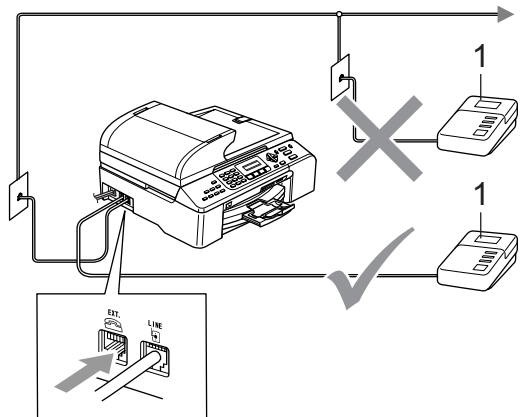


### Note

- If you do not receive all your faxes, reduce the Ring Delay setting on your external TAD.
- If You Subscribe to your Telephone company's Distinctive Ring Service:  
You may connect an external TAD to a separate wall jack only if you subscribe to your telephone company's Distinctive Ring service, have registered the distinctive ring pattern on your machine, and use that number as a fax number. The recommended setting is at least four rings on the external TAD when you have the telephone company's Distinctive Ring Service. You cannot use the Toll Saver setting.

- If You Do Not Subscribe to Distinctive Ring Service:

You must plug your TAD into the EXT. jack of your machine. If your TAD is plugged into a wall jack, both your machine and the TAD will try to control the phone line. (See the illustration below.)



### 1 TAD

When the TAD answers a call, the LCD shows *Telephone*.

## Connections

The external TAD must be plugged into the jack labeled EXT. Your machine cannot work properly if you plug the TAD into a wall jack (unless you are using Distinctive Ring).

- Plug the telephone line cord from the telephone wall jack into the jack labeled LINE.
- Plug the telephone line cord from the external TAD into the jack labeled EXT. (Make sure this cord is connected to the TAD at the TAD's telephone line jack, and not its handset jack.)
- Set your external TAD to four rings or less. (The machine's Ring Delay setting does not apply.)
- Record the outgoing message on your external TAD.

- 5 Set the TAD to answer calls.
- 6 Set the Receive Mode to External TAD. (See *Choosing the Receive Mode* on page 37.)

## Recording an outgoing message (OGM) on an external TAD

---

Timing is important in recording this message. The message sets up the ways to handle both manual and automatic fax reception.

- 1 Record 5 seconds of silence at the beginning of your message. (This allows your machine time to listen for the fax CNG tones of automatic transmissions before they stop.)
- 2 Limit your speaking to 20 seconds.
- 3 End your 20-second message by giving your Fax Receive Code for people sending manual faxes. For example: 'After the beep, leave a message or send a fax by pressing \* 5 1 and Start.'



### Note

---

We recommend beginning your OGM with an initial 5-second silence because the machine cannot hear fax tones over a resonant or loud voice. You may try omitting this pause, but if your machine has trouble receiving, then you must re-record the OGM to include it.

---

## Special line considerations

---

### Roll over phone lines

A roll over phone system is a group of two or more separate telephone lines that pass incoming calls to each other if they are busy. The calls are usually passed down or 'rolled over' to the next available phone line in a preset order.

Your machine can work in a roll over system as long as it is the last number in the sequence, so the call cannot roll away. Do not put the machine on any of the other numbers; when the other lines are busy and a second fax call is received, the fax call will be sent to a line that does not have a fax machine. **Your machine will work best on a dedicated line.**

### Two-line phone system

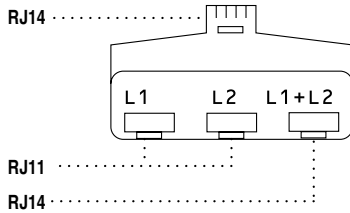
A two-line phone system is nothing more than two separate phone numbers on the same wall outlet. The two phone numbers can be on separate jacks (RJ11) or mixed into one jack (RJ14). Your machine must be plugged into an RJ11 jack. RJ11 and RJ14 jacks may be equal in size and appearance and both may contain four wires (black, red, green, yellow). To test the type of jack, plug in a two-line phone and see if it can access both lines. If it can, you must separate the line for your machine. (See *Easy Receive* on page 39.)

### Converting telephone wall outlets

There are three ways to convert to an RJ11 jack. The first two ways may require help from the telephone company. You can change the wall outlets from one RJ14 jack to two RJ11 jacks. Or you can have an RJ11 wall outlet installed and slave or jump one of the phone numbers to it.

The third way is the easiest: Buy a triplex adapter. You can plug a triplex adapter into an RJ14 outlet. It separates the wires into two separate RJ11 jacks (Line 1, Line 2) and a third RJ14 jack (Lines 1 and 2). If your machine is on Line 1, plug the machine into L1 of the triplex adapter. If your machine is on Line 2, plug it into L2 of the triple adapter.

### Triplex Adapter

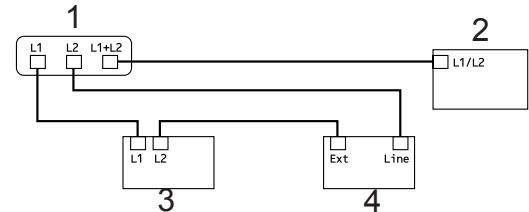


### Installing machine, external two-line TAD and two-line telephone

When you are installing an external two-line telephone answering device (TAD) and a two-line telephone, your machine must be isolated on one line at both the wall jack and at the TAD. The most common connection is to put the machine on Line 2, which is explained in the following steps. The back of the two-line TAD must have two telephone jacks: one labeled L1 or L1/L2, and the other labeled L2. You will need at least three telephone line cords, the one that came with your machine and two for your external two-line TAD. You will need a fourth line cord if you add a two-line telephone.

- 1 Put the two-line TAD and the two-line telephone next to your machine.
- 2 Plug one end of the telephone line cord for your machine into the L2 jack of the triplex adapter. Plug the other end into the LINE jack on the back of the machine.
- 3 Plug one end of the first telephone line cord for your TAD into the L1 jack of the triplex adapter. Plug the other end into the L1 or L1/L2 jack of the two-line TAD.

- 4 Plug one end of the second telephone line cord for your TAD into the L2 jack of the two-line TAD. Plug the other end into the EXT. jack on the left side of the machine.



- 1 Triplex Adapter
- 2 Two Line Phone
- 3 External Two Line TAD
- 4 Machine

You can keep two-line telephones on other wall outlets as always. There are two ways to add a two-line telephone to the machine's wall outlet. You can plug the telephone line cord from the two-line telephone into the L1+L2 jack of the triplex adapter. Or you can plug the two-line telephone into the TEL jack of the two-line TAD.

### Multi-line connections (PBX)

We suggest you ask the company who installed your PBX to connect your machine. If you have a multi line system we suggest you ask the installer to connect the unit to the last line on the system. This prevents the machine being activated each time the system receives telephone calls. If all incoming calls will be answered by a switchboard operator we recommend that you set the Receive Mode to `Manual`.

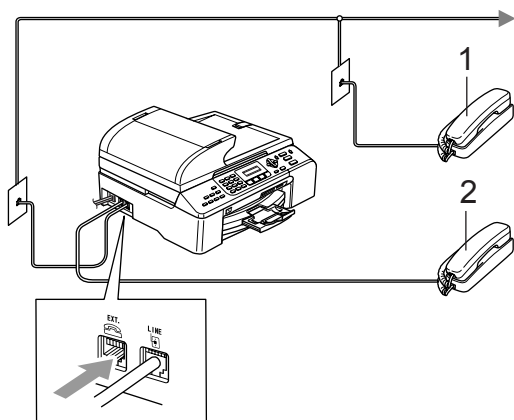
We cannot guarantee that your machine will operate properly under all circumstances when connected to a PBX. Any difficulties with sending or receiving faxes should be reported first to the company who handles your PBX.

## External and extension phones

### Connecting an external or extension telephone

You can connect a separate telephone (or telephone answering device) directly to your machine as shown in the diagram below.

Connect the telephone line cord to the jack labeled EXT.



1 Extension telephone

2 External telephone

When you are using an external phone, the LCD shows *Telephone*.

### Using external and extension telephones

If you answer a fax call on an extension or an external telephone connected to the EXT. jack of the machine, you can make your machine take the call by using the Fax Receive Code. When you press the Fax Receive Code **✖ 5 1**, the machine starts to receive the fax.

If the machine answers a voice call and pseudo/double-rings for you to take over, use the Telephone Answer Code **# 5 1** to take the call at an extension phone. (See *F/T Ring Time (Fax/Tel mode only)* on page 39.)

### If you answer a call and no one is on the line:

You should assume that you're receiving a manual fax.

Press **✖ 5 1** and wait for the chirp or until the LCD shows *Receiving*, and then hang up.



#### Note

You can also use the Easy Receive feature to make your machine automatically take the call. (See *Easy Receive* on page 39.)

### Using a non-Brother cordless external telephone

If your non-brother cordless telephone is connected to the EXT. jack of the machine and you typically carry the cordless handset elsewhere, it is easier to answer calls during the Ring Delay.

If you let the machine answer first, you will have to go to the machine so you can press **Hook** to send the call to the cordless handset.

### Using remote codes

#### Fax receive code

If you answer a fax call on an extension or external telephone, you can tell your machine to receive it by dialing the fax receive code **✖ 5 1**. Wait for the chirping sounds then replace the handset. (See *Easy Receive* on page 39.) Your caller will have to press **Start** to send the fax.

#### Telephone answer code

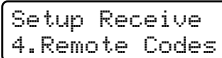
If you receive a voice call and the machine is in F/T mode, it will start to sound the F/T (double) ring after the initial ring delay. If you pick up the call on an extension phone you can turn the F/T ring off by pressing **# 5 1** (make sure you press this *between* the rings).



## Changing the remote codes

The preset Fax Receive Code is \* 5 1. The preset Telephone Answer Code is # 5 1. If you want to, you can replace them with your own codes.

- 1 Press **Menu, 2, 1, 4**.



```
Setup Receive
4.Remote Codes
```

- 2 Press **▲** or **▼** to choose **On** (or **Off**). Press **OK**.
- 3 Enter the new Fax Receive Code. Press **OK**.
- 4 Enter the new Telephone Answer Code. Press **OK**.
- 5 Press **Stop/Exit**.



### Note

- If you are always disconnected when accessing your external TAD remotely, try changing the Fax Receive Code and Telephone Answer Code to another three-digit code (such as ### and 999).
- Remote Codes might not work with some telephone systems.

# 8

## Dialing and storing numbers

### How to Dial

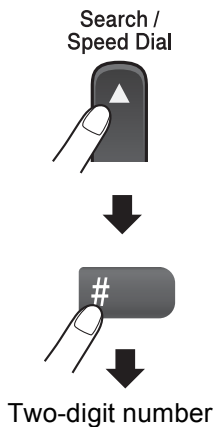
#### Manual dialing

Press all of the digits of the fax number.



#### Speed-Dialing

- 1 Press **Search/Speed Dial**, the # (pound) key, and then the two digit Speed-Dial number.



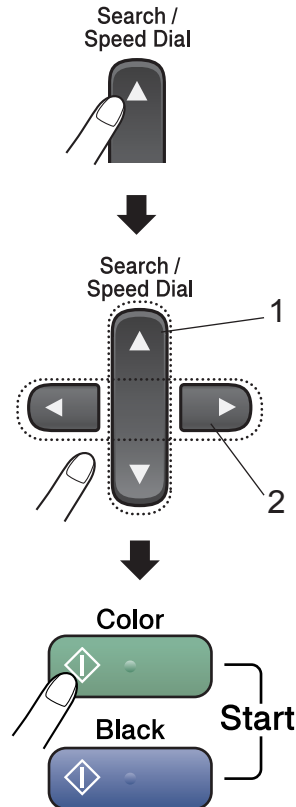
#### Note

If the LCD shows **Not Registered** when you enter a Speed-Dial number, a number has not been stored at this location.

### Search

You can search for names you have stored in the Speed-Dial memories.

Press **Search/Speed Dial** and the menu keys to search numerically or alphabetically.



- 1 To search numerically.
- 2 To search alphabetically, you can use the dial pad to enter the first letter of the name you are looking for.

## Fax Redial

If you are sending a fax manually and the line is busy, press **Redial/Pause**, and then press **Black Start** or **Color Start** to try again. If you want to make a second call to the last number dialed, you can save time by pressing **Redial/Pause** and **Black Start** or **Color Start**.

**Redial/Pause** only works if you dialed from the control panel.

If you are sending a fax automatically and the line is busy, the machine will automatically redial one time after five minutes.



### Note

In Real Time Transmission the automatic redial feature does not work when using the scanner glass.

## Storing numbers

You can set up your machine to do the following types of easy dialing: Speed-Dial and Groups for broadcasting faxes. When you dial a Quick-Dial number, the LCD shows the name, if you stored it, or the number.



### Note

If you lose electrical power, the Quick-Dial numbers that are in the memory will not be lost.

## Storing a pause

Press **Redial/Pause** to put a 3.5-second pause between numbers. If you are dialing overseas, you can press **Redial/Pause** as many times as needed to increase the length of the pause.

## Storing Speed-Dial numbers

You can store up to 100 Speed-Dial locations with a name. When you dial you will only have to press a few keys (For example: **Search/Speed Dial**, # the two-digit number, and **Black Start** or **Color Start**).

- 1 Press **Menu**, **2**, **3**, **1**.
- 2 Use the dial pad to enter a 2-digit Speed-Dial location number (00-99). Press **OK**.
- 3 Enter the fax or telephone number (up to 20 digits). Press **OK**.
- 4 Do one of the following:
  - Enter the name (up to 16 characters) using the dial pad.  
Press **OK**. (To help you enter letters, see *Entering Text* on page 132.)
  - To store the number without a name, press **OK**.
- 5 Do one of the following:
  - To store another Speed-Dial number, go to step 2.
  - To finish the setting, press **Stop/Exit**.

## Changing Speed-Dial numbers

If you try to store a Speed-Dial number where a number has already been stored, the LCD will show the name or number that has been stored there, and will ask you to do one of the following:

- Press **1** to change the stored number.

```
#05:Mike
1.Change 2.Exit
```

- Press **2** to exit without making a change.

If you chose **1**, you will be able to change the stored number and name, or enter a new one. Follow the instructions below:

- 1 Enter a new number. Press **OK**.
- 2 Enter a new name. Press **OK**.

To change a character, use ◀ or ▶ to position the cursor under the character you want to change, then press **Clear/Back**.

Re-enter the character.

## Setting up groups for broadcasting

If you regularly want to send the same fax message to many fax numbers you can set up a Group. Groups are stored on a Speed-Dial number. Each group uses up a Speed-Dial location. You can then send the fax message to all the numbers stored in a group just by entering a Speed-Dial number, and then pressing **Black Start**.

Before you can add numbers to a Group, you need to store them as Speed-Dial numbers. You can have up to six small Groups, or you can assign up to 99 numbers to one large Group.

- 1 Press **Menu, 2, 3, 2**.

```
Set Quick-Dial
2.Setup Groups
```

- 2 Use the dial pad to enter the two-digit Speed-Dial number where you want to store the Group. Press **OK**.

- 3 Use the dial pad to enter a Group number (1 to 6). Press **OK**.

```
Setup Groups
Setup Group:G0_
```

- 4 To add Speed-Dial numbers follow the instructions below:  
For example, for Speed-Dial numbers 05 and 09.  
Press **Search/Speed Dial, 05, Search/Speed Dial, 09**.  
The LCD shows: #05 #09.

```
Setup Groups
G01: #05 #09
```

- 5 Press **OK** when you have finished adding numbers.
- 6 Use the dial pad to enter a name for the Group. Press **OK**.

**7** Press **Stop/Exit**.



### Note

You can easily print a list of all your Speed-Dial numbers. Numbers that are part of a group will be marked in the GROUP column. (See *How to print a report* on page 62.)

## Dialing Access codes and credit card numbers

You can combine more than one Quick-Dial number when you dial. This feature may be useful if you need to dial an access code for a cheaper rate long distance carrier.

For example, you might have stored '555' on Speed-Dial #03 and '7000' on Speed-Dial #02. You can use them both to dial '555-7000' if you press the following keys:

**Search/Speed Dial, #03, Search/Speed Dial, #02, and Black Start or Color Start.**

Numbers can be added manually by entering them on the dial pad:

**Search/Speed Dial, #03, 7, 0, 0, 1** (on the dial pad), and **Black Start or Color Start.**

This would dial '555-7001'. You can also add a pause by pressing the **Redial/Pause** key.

# 9

## Remote fax options

Remote fax options ARE NOT available for color fax.

You can use *only one* fax option at a time.

### Fax Forwarding

The fax forwarding feature lets you automatically forward your received faxes to another machine. If you choose Backup Print:On the machine will also print the fax (this is a safety feature in case there is a power failure).

- 1 Press **Menu, 2, 5, 1**.

```
Remote Fax Opt
1.Fwd/Page/Store
```

- 2 Press **▲** or **▼** to choose Fax Forward. Press **OK**.

The LCD will ask you to enter the fax number you want your faxes to be forwarded to.

- 3 Enter the forwarding number (up to 20 digits). Press **OK**.

- 4 Press **▲** or **▼** to choose Backup Print:On or Backup Print:Off. Press **OK**.



#### Note

When Fax Forwarding is turned on your machine will only receive black & white faxes into memory. Color faxes will not be received, unless the sending machine converts them to black & white before sending.

- 5 Press **Stop/Exit**.

### Paging

When you choose Paging, your machine dials the pager number you have programmed, and then dials your Personal Identification Number (PIN). This activates your pager so you will know that you have a fax message in the memory.

- 1 Press **Menu, 2, 5, 1**.

```
Remote Fax Opt
1.Fwd/Page/Store
```

- 2 Press **▲** or **▼** to choose Paging. Press **OK**.

- 3 Enter your pager phone number followed by **##** (up to 20 digits). Press **OK**.

Do not include the area code if it is the same as that of your machine.

For example, press:

**1 8 0 0 5 5 1 2 3 4 ##**

- 4 Do one of the following:

- If your pager needs a PIN, enter the PIN, press **#**, press **Redial/Pause**, and then enter your fax number followed by **##**.

Press **OK**.

For example, press:

**1 2 3 4 5 # Redial/Pause 1 8 0 0 5 5 5 6 7 8 9 ##**

- If you do not need a PIN, press:

**Redial/Pause**, and then enter your fax number followed by **##**.

Press **OK**.

For example, press:

**Redial/Pause 1 8 0 0 5 5 5 6 7 8 9 ##**

- 5 Press **Stop/Exit**.



### Note

- You cannot change a paging number or PIN remotely.
- If you have set Paging, a backup copy will automatically be printed at the machine.
- If Paging is turned on your machine cannot receive a color fax unless the sending machine converts it to black & white.

## Fax Storage

The fax storage feature lets you store your received faxes in the machine's memory. You can retrieve stored fax messages from a fax machine at another location using the remote retrieval commands. (See *Retrieving fax messages* on page 59.) Your machine will automatically print a copy of the stored fax.

- 1 Press **Menu, 2, 5, 1**.

```
Remote Fax Opt
1.Fwd/Page/Store
```

- 2 Press **▲** or **▼** to choose **Fax Storage**. Press **OK**.

- 3 Press **Stop/Exit**.



### Note

If Fax Storage is turned on your machine cannot receive a color fax unless the sending machine converts it to black & white.

## PC Fax Receive

If you turn on the PC-Fax Receive feature your machine will store received faxes in memory and send them to your PC automatically. You can then use your PC to view and store these faxes.

Even if you have turned off your PC (at night or on the weekend, for example), your machine will receive and store your faxes in its memory. The LCD will show the number of stored faxes received, for example:

```
PC Fax Msg:001
```

When you start your PC and the PC-FAX Receiving software runs, your machine transfers your faxes to your PC automatically.

To transfer the received faxes to your PC you must have the PC-FAX Receiving software running on your PC. (For details, see *PC-FAX receiving* in the Software User's Guide on the CD-ROM.)

If you choose `Backup Print:On` the machine will also print the fax.

- 1 Press **Menu**, **2**, **5**, **1**.

```
Remote Fax Opt
1.Fwd/Page/Store
```

- 2 Press **▲** or **▼** to choose `PC Fax Receive`. Press **OK**.
- 3 Press **▲** or **▼** to choose `<USB>` or the PC you want to receive. Press **OK**.
- 4 Press **▲** or **▼** to choose `Backup Print:On` or `Backup Print:Off`. Press **OK**.

- 5 Press **Stop/Exit**.



### Note

- PC Fax Receive is not supported in the Mac OS®.
- Before you can set up PC Fax Receive you must install the MFL-Pro Suite software on your PC. Make sure your PC is connected and turned on. (For details see *PC-FAX receiving* in the Software User's Guide on the CD-ROM.)
- If you get an error message and the machine cannot print the faxes in memory, you can use this setting to transfer your faxes to your PC. (For details, see *Error messages* on page 105.)
- When PC Fax Receive is turned on only black & white faxes can be received into the memory and sent to the PC. Color faxes will be received in real time and printed in color.

## Changing the destination PC

- 1 Press **Menu**, **2**, **5**, **1**.

```
Remote Fax Opt
1.Fwd/Page/Store
```

- 2 Press **▲** or **▼** to choose `PC Fax Receive`. Press **OK**.
- 3 Press **▲** or **▼** to choose `Change`. Press **OK**.
- 4 Press **▲** or **▼** to choose `<USB>` or the PC you want to receive. Press **OK**.
- 5 Press **▲** or **▼** to choose `Backup Print:On` or `Backup Print:Off`. Press **OK**.
- 6 Press **Stop/Exit**.



## Changing Remote Fax Options

If received faxes are left in your machine's memory when you change the remote fax options, the LCD will ask you one of the following messages:

```

Erase All Fax?
1.Yes 2.No
  
```

```

Print All Fax?
1.Yes 2.No
  
```

- If you press **1**, faxes in the memory will be erased or printed before the setting changes. If a backup copy has already been printed it will not be printed again.
- If you press **2**, faxes in the memory will not be erased or printed and the setting will be unchanged.

If received faxes are left in the machine's memory when you change to PC Fax Receive from another option (Fax Forward, Paging or Fax Storage), the LCD will ask you the following message:

```

Send Fax to PC?
1.Yes 2.No
  
```

- If you press **1**, faxes in the memory will be sent to your PC before the setting changes. Faxes in the memory will be sent to your PC when the PC Fax Receive icon is active on your PC. (See *PC-FAX receiving* in the Software User's Guide on the CD-ROM.)
- If you press **2**, faxes in the memory will not be erased or transferred to your PC and the setting will be unchanged.

## Turning off Remote Fax Options

- 1 Press **Menu, 2, 5, 1**.

```

Remote Fax Opt
1.Fwd/Page/Store
  
```

- 2 Press **▲** or **▼** to choose **Off**. Press **OK**.

- 3 Press **Stop/Exit**.



### Note

The LCD will give you more options if there are received faxes still in your machine's memory. (See *Changing Remote Fax Options* on page 57.)

## Remote Retrieval

You can call your machine from any touch tone telephone or fax machine, then use the remote access code and remote commands to retrieve fax messages.

### Setting a Remote Access Code

The remote access code lets you access the remote retrieval features when you are away from your machine. Before you use the remote access and retrieval features, you have to set up your own code. The factory default code is inactive code (---✖).

- 1 Press **Menu, 2, 5, 2**.

```
Remote Fax Opt
2.Remote Access
```

- 2 Enter a three-digit code using numbers **0-9, ✖, or #**. Press **OK**. (The preset '✖' cannot be changed.)
- 3 Press **Stop/Exit**.



#### Note

Do not use the same code as your fax receive code (**✖ 5 1**) or telephone answer code (**# 5 1**). (See *Using external and extension telephones* on page 48.)

You can change your code at any time by entering a new one. If you want to make your code inactive, press **Clear/Back** in step 2 to restore the inactive setting (---✖) and press **OK**.

### Using your Remote Access Code

- 1 Dial your fax number from a telephone or another fax machine using touch tone.
- 2 When your machine answers, enter your remote access code (3 digits followed by ✖).
- 3 The machine signals if it has received messages:
  - **1 long beep — Fax messages**
  - **No beeps — No messages**
- 4 When the machine gives two short beeps, enter a command. The machine will hang up if you wait longer than 30 seconds to enter a command. The machine will beep three times if you enter an invalid command.
- 5 Press **9, 0** to reset the machine when you have finished.
- 6 Hang up.



#### Note

If your machine is set to **Manual** mode and you want to use the remote retrieval features, wait about 2 minutes after it starts ringing, and then enter the remote access code within 30 seconds.

## Retrieving fax messages

---

- 1 Dial your fax number from a telephone or another fax machine using touch tone.
- 2 When your machine answers, enter your remote access code (3 digits followed by ✕). If you hear one long beep, you have messages.
- 3 When you hear two short beeps, press **9, 6, 2**.
- 4 Wait for the long beep, and then use the dial pad to enter the number (up to 20 digits) of the remote fax machine where you want your fax messages sent to, followed by **# #**.



### Note

---

You cannot use ✕ and # as dial numbers. However, press # if you want to create a pause.

- 5 Press **9, 0** to reset the machine when you have finished.
- 6 Hang up after you hear your machine beep. Your machine will call the other fax machine, which will then print your fax messages.



### Note

---

You can insert a pause in a fax number by using the # key.

## Changing your Fax Forwarding number

---

You can change the default setting of your fax forwarding number from another telephone or fax machine using touch tone.

- 1 Dial your fax number from a telephone or another fax machine using touch tone.
- 2 When your machine answers, enter your remote access code (3 digits followed by ✕) at once. If you hear one long beep, you have messages.
- 3 When you hear two short beeps, press **9, 5, 4**.
- 4 Wait for the long beep, and then use the dial pad to enter the new number (up to 20 digits) of the remote fax machine where you want your fax messages forwarded followed by **# #**.
- 5 Press **9, 0** to reset the machine when you have finished.
- 6 Hang up after you hear your machine beep.



### Note

---

You can insert a pause in a fax number by using the # key.

## Remote fax commands

Follow the commands below to access features when you are away from the machine. When you call the machine and enter your remote access code (3 digits followed by ✖), the system will give two short beeps and you must enter a remote command.

Remote commands		Operation details
95	<b>Change the Fax Forwarding, Paging or Fax Storage settings</b>	
	1 OFF	You can choose <code>OFF</code> after you have retrieved or erased all your messages.
	2 Fax Forwarding	If you hear one long beep, the change has been accepted. If you hear three short beeps, you cannot change it because something has not been set up (for example, registering a Fax Forwarding number). You can register your Fax Forwarding number by entering 4. (See <i>Changing your Fax Forwarding number</i> on page 59.)
	3 Paging	
	4 Fax Forwarding number	
6 Fax Storage		
96	<b>Retrieve a fax</b>	
	2 Retrieve all faxes	Enter the number of a remote fax machine to receive stored fax messages. (See <i>Retrieving fax messages</i> on page 59.)
	3 Erase faxes from the memory	If you hear one long beep, fax messages have been erased from the memory.
97	<b>Check the receiving status</b>	
	1 Fax	You can check whether your machine has received any faxes. If yes, you will hear one long beep. If no, you will hear three short beeps.
98	<b>Change the Receive Mode</b>	
	1 External TAD	If you hear one long beep, your change has been accepted.
	2 Fax/Tel	
	3 Fax Only	
90	<b>Exit</b>	Pressing <b>9, 0</b> allows you to exit remote retrieval. Wait for the long beep, then replace the handset.

## Fax reports

You need to set up the Transmission Verification Report and Journal Period using the **Menu** keys.

### Transmission Verification Report

You can use the Transmission Report as proof that you sent a fax. This report lists the time and date of transmission and whether the transmission was successful (OK). If you choose **On** or **On+Image**, the report will print for every fax you send.

If you send a lot of faxes to the same place, you may need more than the job numbers to know which faxes you must send again. Choosing **On+Image** or **Off+Image** will print a section of the fax's first page on the report to help you remember.

When the Verification Report is turned **Off** or **Off+Image**, the Report will only print if there is a transmission error, with NG in the RESULT column.

- 1 Press **Menu**, **2**, **4**, **1**.
- 2 Press **▲** or **▼** to choose **Off+Image**, **On**, **On+Image** or **Off**. Press **OK**.
- 3 Press **Stop/Exit**.

### Fax Journal (activity report)

You can set the machine to print a journal at specific intervals (every 50 faxes, 6, 12 or 24 hours, 2 or 7 days). If you set the interval to **Off**, you can still print the report by following the steps in the *How to print a report* on page 62. The default setting is **Every 50 Faxes**.

- 1 Press **Menu**, **2**, **4**, **2**.
- 2 Press **▲** or **▼** to choose an interval. Press **OK**.  
(If you choose 7 days, the LCD will ask you to choose the first day for the 7-day countdown.)
  - 6, 12, 24 hours, 2 or 7 days  
The machine will print the report at the chosen time and then erase all jobs from its memory. If the machine's memory becomes full with 200 jobs before the time you chose has passed, the machine will print the Journal early and then erase all jobs from the memory. If you want an extra report before it is due to print, you can print it without erasing the jobs from the memory.
  - Every 50 Faxes  
The machine will print the Journal when the machine has stored 50 jobs.
- 3 Enter the time to start printing in 24-hour format. Press **OK**.  
(For example: enter 19:45 for 7:45 PM.)
- 4 Press **Stop/Exit**.

## Reports

The following reports are available:

1. `Transmission`  
Prints a Transmission Verification Report for your last transmission.
2. `Help List`  
A help list about how to quickly program your machine.
3. `Quick-Dial`  
Lists names and numbers stored in the Speed-Dial memory, in numerical order.
4. `Fax Journal`  
Lists information about the last incoming and outgoing faxes.  
(TX: Transmit.) (RX: Receive.)
5. `User Settings`  
Lists your settings.
6. `Network Config`  
Prints a list of your current Network settings.

## How to print a report

---

- 1 Press **Menu**, **6**.
- 2 Choose one of the options below:
  - Press **▲** or **▼** to choose the report you want. Press **OK**.
  - Enter the number of the report you want to print. For example, press **2** to print the help list.
- 3 Press **Black Start**.


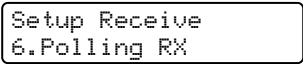
## Polling overview

Polling lets you set up your machine so other people can receive faxes from you, but they pay for the call. It also lets you call somebody else's fax machine and receive a fax from it, so you pay for the call. The polling feature needs to be set up on both machines for this to work. Not all fax machines support polling.

## Polling receive



Polling receive lets you call another fax machine to receive a fax.

### Setup to receive polling

- 1 Make sure you are in Fax mode .
- 2 Press **Menu, 2, 1, 6**.  

- 3 Enter the fax number you are polling.
- 4 Press **Black Start** or **Color Start**.  
The LCD shows *Dialing*.

### Sequential polling

The machine can request documents from several fax machines in one operation. Afterwards, a Sequential Polling Report will be printed.

- 1 Make sure you are in Fax mode .
- 2 Press **Menu, 2, 1, 6**.  

- 3 Specify the fax machines you want to poll by using Speed-Dial, Search, a Group or the dial pad. You must press **OK** between each location.
- 4 Press **Black Start** or **Color Start**.  
The machine polls each number or Group number in turn for a document.

Press **Stop/Exit** while the machine is dialing to cancel the polling process.


To cancel all sequential polling receive jobs, see *Checking and canceling waiting jobs* on page 35.

## Polled transmit (Black & White only)

Polled Transmit is when you set up your machine to wait with a document so another fax machine can call and retrieve it.

### Set up for polled transmit

---

1 Make sure you are in Fax mode .

2 Load your document.

3 Press **Menu, 2, 2, 6**.

```
Setup Send  
6.Polled TX
```

4 Press **▲** or **▼** to choose On (or Off).  
Press **OK**.

5 The LCD shows:

```
Other Settings  
1.Yes 2.No
```

6 Press **2** and press **Black Start**.



#### Note

---

The document will be stored and can be retrieved by any other fax machine until you delete it from the memory.  
(See *Checking and canceling waiting jobs* on page 35.)

---





# Copy

---

**Making copies**


66

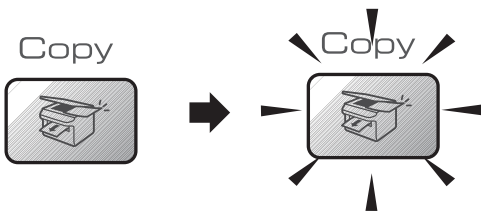
# 12

## Making copies

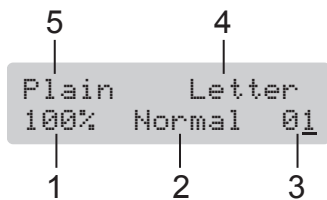
### How to copy

#### Entering Copy mode

Press  (**Copy**) to enter Copy mode. The default setting is Fax. You can change the number of seconds or minutes that the machine stays in Copy mode. (See *Mode Timer* on page 23.)




The LCD shows the default copy setting:

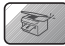


- 1 Copy Ratio
- 2 Quality
- 3 No of Copies
- 4 Paper Size
- 5 Paper Type

#### Making a single copy

- 1 Make sure you are in Copy mode .
- 2 Load your document.
- 3 Press **Black Start** or **Color Start**.

#### Making multiple copies

- 1 Make sure you are in Copy mode .
- 2 Load your document.
- 3 Use the dial pad to enter the number of copies (up to 99).
- 4 Press **Black Start** or **Color Start**.



#### Note

To sort your copies, press the **Options** key.

#### Stop copying

To stop copying, press **Stop/Exit**.

## Copy keys

When you want to quickly change the copy settings *temporarily* for the next copy, use the Copy keys.

(For MFC-5460CN)




(For MFC-5860CN)




The machine returns to its default settings 2 minutes after it finishes copying, or if the mode timer returns the machine to Fax mode. For more information see *Mode Timer* on page 23.

## Changing copy quality

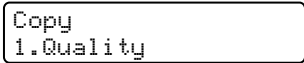
You can choose from a range of quality settings. The default setting is *Normal*.

Press <b>Quality</b>  and ▲ or ▼	Normal	Normal is the recommended mode for ordinary printouts. This produces good copy quality with good copy speed.
	Fast	Fast copy speed and lowest ink consumption. Use to save time printing documents to be proof-read, large documents or many copies.
	Best	Use best mode to copy precise images such as photographs. This provides the highest resolution and the slowest speed.

To *temporarily* change the quality setting, follow the instruction below:

- 1 Make sure you are in Copy mode .
- 2 Load your document.
- 3 Use the dial pad to enter the number of copies (up to 99).
- 4 Press **Quality**.
- 5 Press ▲ or ▼ to choose *Normal*, *Best* or *Fast*. Press **OK**.
- 6 Press **Black Start** or **Color Start**.


To change the default setting, follow the instruction below:

- 1 Press **Menu**, **3**, **1**.  

- 2 Press ▲ or ▼ to choose *Normal*, *Best* or *Fast*. Press **OK**.
- 3 Press **Stop/Exit**.


## Enlarging or reducing the image copied

You can choose the following enlargement or reduction ratios:

Custom (25–400%) allows you to enter a ratio from 25% to 400%.

Press <b>Enlarge/Reduce</b>  Enlarge / Reduce  and ▲ or ▼	Custom (25–400%)
	200%
	198% 4"x6"→A4
	186% 4"x6"→LTR
	142% A5→A4
	104% EXE→LTR
	100%
	97% LTR→A4
	93% A4→LTR
	83% LGL→A4
	78% LGL→LTR
	69% A4→A5
	50%

To enlarge or reduce the next copy follow the instruction below:

- 1 Make sure you are in Copy mode .
- 2 Load your document.
- 3 Use the dial pad to enter the number of copies (up to 99).
- 4 Press **Enlarge/Reduce**.

- 5 Choose one of the options below:

- Use ▲ or ▼ to choose the enlargement or reduction ratio you want. Press **OK**.
- Use ▲ or ▼ to choose Custom (25–400%). Press **OK**. Use the dial pad to enter an enlargement or reduction ratio from 25% to 400%. (For example, press **5, 3** to enter 53%.) Press **OK**.

- 6 Press **Black Start** or **Color Start**.




### Note

Page Layout Options 2 in 1(P), 2 in 1(L), 4 in 1(P), 4 in 1(L) or Poster are *not* available with **Enlarge/Reduce**.

## Copy options

When you want to quickly change the copy settings *temporarily* for the next copy, use the **Options** key.

Press	Menu selection/	Options	Page
Options 	Paper Type (MFC-5860CN only)	Plain Paper Inkjet Paper Brother Photo Other Photo Transparency	72
	Paper Size	Letter Legal A4 A5 4" (W) x 6" (H)	72
	Brightness	- □□■□□ +	71
	Contrast	- □□■□□ +	71
	Stack/Sort	Stack Sort	70
	Page Layout	Off(1 in 1) 2 in 1 (P) 2 in 1 (L) 4 in 1 (P) 4 in 1 (L) Poster(3 x 3)	69
No. of Copies	No. of Copies : 01 (01 - 99)		



### Note

You can save the copy settings you use most often by setting them as *default*. You can find instructions on how to do this in the section for each feature.


## Making N in 1 copies or a poster

The N in 1 copy feature can help you save paper by letting you copy two or four pages onto one printed page.

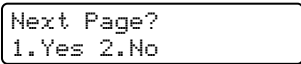
You can also produce a poster. When you use the poster feature your machine divides your document into sections, then enlarges the sections so you can assemble them into a poster. If you want to print a poster, use the scanner glass.

### Important

- Please make sure paper size is set to Letter or A4.
- You cannot use the Enlarge/Reduce setting with the N in 1 and Poster features.
- If you are producing multiple color copies, N in 1 copy is not available.
- (P) means Portrait and (L) means Landscape.
- You can only make one poster copy at a time.

- 1 Make sure you are in Copy mode .
- 2 Load your document.
- 3 Use the dial pad to enter the number of copies (up to 99).
- 4 Press **Options** and ▲ or ▼ to choose Page Layout. Press **OK**.
- 5 Press ▲ or ▼ to choose Off(1 in 1), 2 in 1 (P), 2 in 1 (L), 4 in 1 (P), 4 in 1 (L) or Poster(3 x 3). Press **OK**.
- 6 Press **Black Start** to scan the document. You can also press **Color Start** if you are using Poster layout. If you are making a poster or placed the document in the ADF, the machine scans the pages and starts printing. **If you are using the scanner glass, go to step 7.**

- 7 After the machine scans the page, press **1** to scan the next page.



- 8 Place the next document on the scanner glass. Press **OK**. Repeat steps 7 and 8 for each page of the layout.



- 9 After all the pages have been scanned, press **2** in step 7 to finish.



**Note**

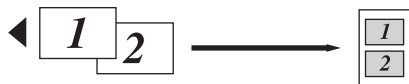
If photo paper is chosen as the paper type setting for N in 1 copies, the images will be printed as if plain paper had been chosen.

If you are copying from the ADF, insert the document face up in the direction shown below:

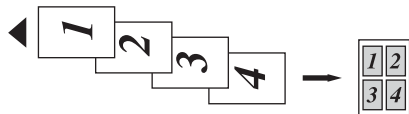
■ **2 in 1 (P)**



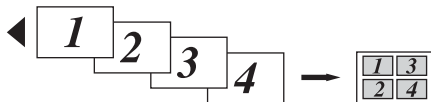
■ **2 in 1 (L)**



■ **4 in 1 (P)**



■ **4 in 1 (L)**

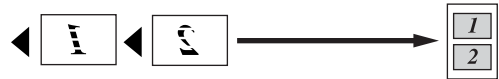


If you are copying from the scanner glass, place the document face down in the direction shown below:

■ **2 in 1 (P)**



■ **2 in 1 (L)**



■ **4 in 1 (P)**

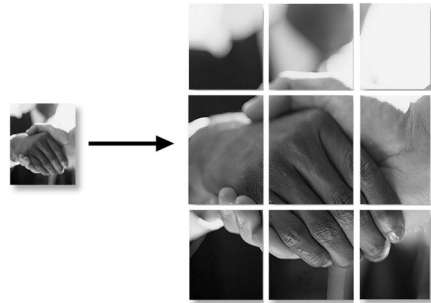


■ **4 in 1 (L)**




■ **Poster (3x3)**

You can make a poster size copy of a photograph.




**Sorting copies using the ADF**

You can sort multiple copies. Pages will be stacked in the order 1 2 3, 1 2 3, 1 2 3, and so on.

- 1 Make sure you are in Copy mode .
- 2 Load your document.
- 3 Use the dial pad to enter the number of copies (up to 99).
- 4 Press **Options** and **▲** or **▼** to choose Stack/Sort. Press **OK**.
- 5 Press **▲** or **▼** to choose Sort. Press **OK**.
- 6 Press **Black Start** or **Color Start**.

## Adjusting Brightness

To temporarily change the brightness setting, follow the instruction below:

- 1 Make sure you are in Copy mode .
- 2 Load your document.
- 3 Use the dial pad to enter the number of copies (up to 99).
- 4 Press **Options** and **▲** or **▼** to choose **Brightness**.  
Press **OK**.



- 5 Press **▲** or **▼** to make the copy lighter or darker. Press **OK**.
- 6 Press **Black Start** or **Color Start**.


To change the default setting follow the instructions below:

- 1 Press **Menu, 3, 2**.
- 2 Press **▲** or **▼** to make the copy lighter or darker. Press **OK**.
- 3 Press **Stop/Exit**.

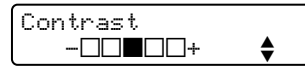
## Adjusting Contrast

Adjust the contrast to help an image look sharper and more vivid.

To temporarily change the contrast setting, follow the instruction below:

- 1 Make sure you are in Copy mode .
- 2 Load your document.
- 3 Use the dial pad to enter the number of copies (up to 99).

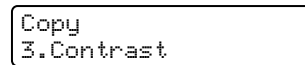
- 4 Press **Options** and **▲** or **▼** to choose **Contrast**.  
Press **OK**.



- 5 Press **▲** or **▼** to increase or decrease the contrast.  
Press **OK**.
- 6 Press **Black Start** or **Color Start**.

To change the default setting follow the instructions below:

- 1 Press **Menu, 3, 3**.

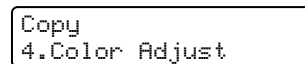


- 2 Press **▲** or **▼** to change the contrast.  
Press **OK**.
- 3 Press **Stop/Exit**.

## Adjusting Color saturation

The color saturation can only be changed through the default setting.

- 1 Press **Menu, 3, 4**.



- 2 Press **▲** or **▼** to choose 1.Red, 2.Green or 3.Blue. Press **OK**.
- 3 Press **▲** or **▼** to change the color saturation. Press **OK**.
- 4 Choose one of the options below:
  - Return to step 2 to choose the next color.
  - Press **Stop/Exit**.


## Paper options

(MFC-5860CN only)

If both trays are set to the same size and type of paper, **Auto** will let your machine take from Tray#1 first, then take from Tray#2 if Tray#1 runs out of paper.

### Paper type

If you are copying on special paper, be sure to choose the type of paper you are using so you will get the best print quality.

- 1 Make sure you are in Copy mode .
- 2 Load your document.
- 3 Use the dial pad to enter the number of copies (up to 99).
- 4 (MFC-5460CN)  
Press **Paper Type**.  
(MFC-5860CN)  
Press **Options** and ▲ or ▼ to choose Paper Type.  
Press **OK**.
- 5 Press ▲ or ▼ to choose the type of paper you are using (Plain Paper, Inkjet Paper, Brother Photo, Other Photo or Transparency).  
Press **OK**.
- 6 Press **Black Start** or **Color Start**.




#### Note

To change the default paper type setting see *Paper Type* on page 23.

## Paper size

If copying on paper other than Letter or A4 size, you will need to change the paper size setting. You can copy on Letter, Legal, A4, A5 or Photo (4"(W) × 6"(H)) paper.

- 1 Make sure you are in Copy mode .
- 2 Load your document.
- 3 Use the dial pad to enter the number of copies (up to 99).
- 4 Press **Options** and ▲ or ▼ to choose Paper Size.  
Press **OK**.
- 5 Press ▲ or ▼ to choose the size of paper you are using Letter, Legal, A4, A5 or 4" (W) × 6" (H).  
Press **OK**.
- 6 Press **Black Start** or **Color Start**.




#### Note

To change the default paper type setting see *Paper Size* on page 24.

## Tray Select (MFC-5860CN only)

You can change the tray that will be used for next copy *only*. To change the default tray see *Tray use in Copy mode (MFC-5860CN only)* on page 25.

- 1 Make sure you are in Copy mode .
- 2 Load your document.
- 3 Use the dial pad to enter the number of copies (up to 99).
- 4 Press **Tray Select**.
- 5 Press ▲ or ▼ to choose Auto Select, #1 (xxx) or #2 (xxx).  
Press **OK**.
- 6 Press **Black Start** or **Color Start**.





# Walk-up Photo Printing

---

<b>PhotoCapture Center®</b>	74
<b>PictBridge</b>	83

## PhotoCapture Center® Operations

### Printing from a media card without a PC

Even if your machine is not connected to your computer, you can print photos directly from digital camera media. (See *How to print from a media card* on page 76.)

### Scanning to a media card without a PC

You can scan documents and save them directly to a media card.  
See *Scan to Card* on page 81.

### Using PhotoCapture Center® from your computer

You can access the media card that is in the media drive (slot) of the machine from your PC.

(See *PhotoCapture Center®* for Windows® or *Remote Setup & Photo Capture Center®* for Macintosh® in the Software User's Guide on the CD-ROM.)

### Using media cards

Your Brother machine includes media drives (slots) for use with popular digital camera media: CompactFlash®, Memory Stick®, Memory Stick Pro™, SecureDigital™, MultiMediaCard™ and xD-Picture Card™.



CompactFlash®



Memory Stick®

Memory Stick Pro™



SecureDigital™



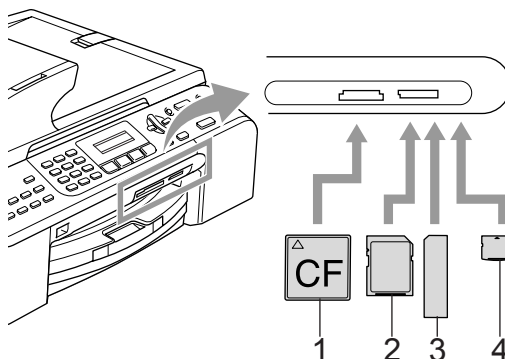
xD-Picture Card™

MultiMediaCard™

- miniSD™ can be used with a miniSD™ adapter.
- Memory Stick Duo™ can be used with a Memory Stick Duo™ adapter.
- Memory Stick Pro Duo™ can be used with a Memory Stick Pro Duo™ adapter.
- Adapters are not included with the machine. Contact a third party supplier for adapters.

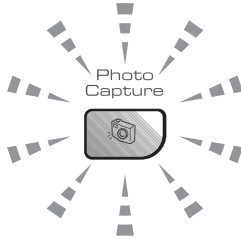
The PhotoCapture Center® feature lets you print digital photos from your digital camera at high resolution to get photo quality printing.

Firmly put the card into the proper slot.



- 1 CompactFlash®
- 2 SecureDigital™, MultiMediaCard™
- 3 Memory Stick®, Memory Stick Pro™
- 4 xD-Picture Card™

The **Photo Capture** key will light to show the media card status. It can be on, off or blinking. See the table below for what the light means.



- **On**  
A media card is inserted correctly.
- **Off**  
No media card is present, or it is incorrectly inserted.
- **Blinking**  
The inserted media card is being read, or is being written to.

### ! CAUTION

DO NOT unplug the power cord or remove the media card from the media drive (slot) while the machine is reading or writing to the card (the **Photo Capture** key is blinking). **You will lose your data or damage the card.**

The machine can only read one media card at a time so do not put more than one card in a slot.

## Media card folder structure

To avoid errors, remember the following points:

- The DPOF file on the media card must be in a valid format. (See *DPOF printing* on page 78.)
- The image file extension must be .JPG (Other image file extensions like .JPEG, .TIF, .GIF and so on will not be recognized).

- Walk-up PhotoCapture Center® printing must be performed separately from PhotoCapture Center® operations using the PC. (Simultaneous operation is not available.)
- IBM Microdrive™ is not compatible with the machine.
- The machine can read up to 999 files (including the folder inside media) on a media card.
- CompactFlash® Type II is not supported.
- This product supports xD-Picture Card™ Type M / Type H (Large Capacity).

Please be aware of the following:

- When printing the INDEX or IMAGE, the PhotoCapture Center® will print all the valid images, even if one or more images have been corrupted. A portion of the corrupted image may be printed.
- Your machine is designed to read media cards that have been formatted by a digital camera.

When a digital camera formats a media card it creates a special folder into which it copies image data. If you need to modify the image data stored on a media card with your PC, we recommend that you do not modify the folder structure created by the digital camera. When saving new or modified image files to the media card we also recommend you use the same folder your digital camera uses. If the data is not saved to the same folder, the machine may not be able to read the file or print the image.

## How to print from a media card

Before printing a photo you must first print a thumbnail index to choose the number of the photo you want to print. Follow the instructions below to start printing directly from your media card:

- 1 Make sure you have put the media card in the proper slot. The LCD will show the following message:

```
C.Flash Active
Press PhotoCapture..
```

- 2 Press **Photo Capture**.  
(For DPOF printing, see *DPOF printing* on page 78.)
- 3 Press **▲** or **▼** to choose `Print Index` and then press **OK**.
- 4 Press **Color Start** to start printing the index sheet. Make a note of the image number you want to print. (See *Printing the thumbnail index* on page 76.)
- 5 Press **▲** or **▼** to choose `Print Images` and then press **OK**.  
(See *Printing Images* on page 77.)
- 6 Enter the image number and press **OK**.
- 7 Press **Color Start** to start printing.


## Printing the thumbnail index

The PhotoCapture Center® assigns each of your images a number. It does not recognize any other numbers or file names that your digital camera or PC may have assigned to the images.

When you print a thumbnail page, it will show all of the pictures on your media card and the number assigned to it. Even corrupted images may have part of the image printed.

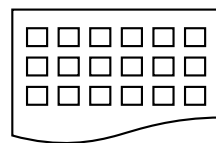


→ No. 1  
DEI.JPG      01.01.2006  
100KB

- 1 Make sure you have put the media card in the proper slot.  
Press  (**Photo Capture**).
- 2 Press **▲** or **▼** to choose `Print Index`.  
Press **OK**.
- 3 Press **▲** or **▼** to choose `6 Images/Line` or `5 Images/Line`.  
Press **OK**.



5 Images/Line




6 Images/Line

Print time for 5 Images/Line will be slower than 6 Images/Line, but the quality is better.

- 4 Press **Color Start** to print.

## Printing Images

Before you can print an individual image, you have to know the image number.

- 1 Make sure you have put the media card in the proper slot.
- 2 Print the index first. (See *Printing the thumbnail index* on page 76.)  
Press  (**Photo Capture**).
- 3 Press **▲** or **▼** to choose **Print Images**. Press **OK**.



### Note

If your media card contains valid DPOF information, the LCD will show **DPOF Print:Yes**. See *DPOF printing* on page 78.

- 4 Enter the image number that you want to print from the thumbnail index. Press **OK**.

Enter & OK Key  
No.:

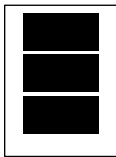
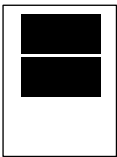
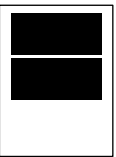
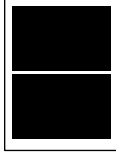
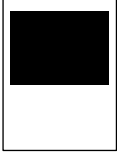

Multiple numbers can be entered by using the **OK** key to separate numbers. For example **1, OK, 3, OK, 6** would print images 1, 3 and 6.

The **#** key can be used to print a range of numbers, for example **1, #, 5** would print all images from 1 to 5.

- 5 After you have chosen all the images you want to print, press **OK** to choose your settings.  
If you have already chosen your settings, press **Color Start**.
- 6 Press **▲** or **▼** to choose the type of paper you are using, **Plain Paper**, **Inkjet Paper**, **Brother Photo** or **Other Photo**.  
Press **OK**.

- 7 Press **▲** or **▼** to choose the paper size you are using, **Letter**, **A4**, **4"x6"** or **5"x7"**.
  - If you chose **Letter** or **A4**, go to step 8.
  - If you chose another size, go to step 9.
  - If you have finished choosing settings, press **Color Start**.
- 8 Press **▲** or **▼** to choose the print size (**4"x3"**, **5"x3.5"**, **6"x4"**, **7"x5"**, **8"x6"** or **Max. Size**).  
Press **OK**.
- 9 Choose one of the options below:
  - To choose the number of copies go to step 10.
  - If you have finished choosing settings, press **Color Start**.
- 10 Enter the number of copies you want. Press **OK**.
- 11 Press **Color Start** to print.

The printing positions when using **Letter** paper are shown below.

1 4"x3"	2 5"x3.5"	3 6"x4"
		
4 7"x5"	5 8"x6"	6 Max. Size
		

## DPOF printing

DPOF stands for Digital Print Order Format.

Major digital camera manufacturers (Canon Inc., Eastman Kodak Company, Fuji Photo Film Co. Ltd., Matsushita Electric Industrial Co. Ltd. and Sony Corporation) created this standard to make it easier to print images from a digital camera.

If your digital camera supports DPOF printing, you will be able to choose on the digital camera display the images and number of copies you want to print.

When the media card (CompactFlash<sup>®</sup>, Memory Stick<sup>®</sup>, Memory Stick Pro<sup>™</sup>, SecureDigital<sup>™</sup> MultiMediaCard<sup>™</sup> or xD-Picture Card<sup>™</sup>) with DPOF information is put into your machine, you can print the chosen image easily.

To print directly from a media card with DPOF information on it follow the instructions below:

- 1 Firmly insert the media card into the card slot.

```
C.Flash Active
Press PhotoCapture..
```

Press  (**Photo Capture**).

- 2 Press **▲** or **▼** to choose **Print Images**. Press **OK**.

- 3 If there is a DPOF file on the card, the LCD will show:

```
Select ▲▼ & OK
DPOF Print:Yes
```

- 4 Press **▲** or **▼** to choose **DPOF Print:Yes**. Press **OK**.
- 5 Press **▲** or **▼** to choose the type of paper you are using, **Plain Paper**, **Inkjet Paper**, **Brother Photo** or **Other Photo**. Press **OK**.

- 6 Press **▲** or **▼** to choose the paper size you are using, **Letter**, **A4**, **4"x6"** or **5"x7"**. Press **OK**.  
If you chose **Letter** or **A4**, press **▲** or **▼** to choose the print size you are using, **4"x3"**, **5"x3.5"**, **6"x4"**, **7"x5"**, **8"x6"** or **Max. Size**. Press **OK**.

- 7 Press **Color Start** to print.

# PhotoCapture Center® print settings

These settings will remain until you change them again.

## Print quality

- 1 Press **Menu**, **4**, **1**.
- 2 Press **▲** or **▼** to choose **Normal** or **Photo**. Press **OK**.
- 3 Press **Stop/Exit**.

## Paper Options

### Paper Type

- 1 Press **Menu**, **4**, **2**.
- 2 Press **▲** or **▼** to choose **Plain Paper**, **Inkjet Paper**, **Brother Photo** or **Other Photo**. Press **OK**.
- 3 Press **Stop/Exit**.

### Paper Size

- 1 Press **Menu**, **4**, **3**.
- 2 Press **▲** or **▼** to choose the paper size you are using, **Letter**, **A4**, **4"x6"** or **5"x7"**. Press **OK**.  
If you chose **Letter** or **A4**, press **▲** or **▼** to choose the print size you are using, **4"x3"**, **5"x3.5"**, **6"x4"**, **7"x5"**, **8"x6"** or **Max. Size**. Press **OK**.
- 3 Press **Stop/Exit**.

## Adjusting Brightness, Contrast and Color

### Brightness

- 1 Press **Menu**, **4**, **4**.
- 2 Press **▲** or **▼** to make a darker or lighter copy. Press **OK**.
- 3 Press **Stop/Exit**.

### Contrast

You can choose the contrast setting. More contrast will make an image look sharper and more vivid.

- 1 Press **Menu**, **4**, **5**.
- 2 Press **▲** or **▼** to increase or decrease the contrast. Press **OK**.
- 3 Press **Stop/Exit**.

### Color enhancement (True2Life®)

The color enhancement (True2Life®) feature will produce more vivid printed images. Your photographs will take slightly longer to print.

- 1 Press **Menu**, **4**, **6**.
- 2 Press **▲** or **▼** to choose **On** or **Off**. Press **OK**.  
If you chose **Off**, then go to step 5.
- 3 Press **▲** or **▼** to choose  
1. **White Balance**, 2. **Sharpness** or  
3. **Color Density**. Press **OK**.
- 4 Press **▲** or **▼** to adjust the degree of the setting. Press **OK**.
- 5 Press **Stop/Exit**.

## Note

### • White Balance

This setting adjusts the hue of the white areas of an image. Lighting, camera settings and other influences will effect the appearance of white. The white areas of a picture may be slightly pink, yellow or some other color. By using this, you can correct this effect and bring the white areas back to pure white.

### • Sharpness

This setting enhances the detail of an image, similar to adjusting the fine focus on a camera. If the image is not in true focus and you cannot see the fine details of the picture, then adjust the sharpness.

### • Color Density

This setting adjusts the total amount of color in the image. You can increase or decrease the amount of color in an image to improve a washed out or weak picture.

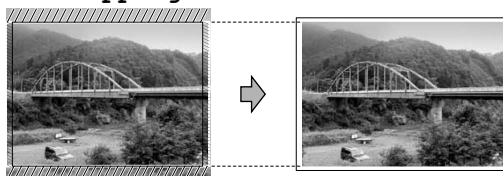
## Cropping

If your photo is too long or wide to fit the available space on your chosen layout, part of the image will be automatically cropped.

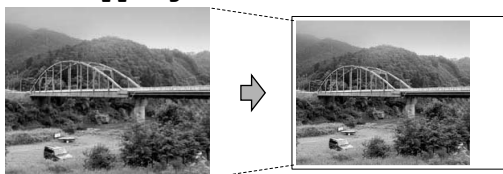
The default setting is *On*. If you want to print the whole image, turn this setting to *Off*.

- 1 Press **Menu**, **4**, **7**.
- 2 Press **▲** or **▼** to choose *Off* (or *On*). Press **OK**.
- 3 Press **Stop/Exit**.

### Cropping: On



### Cropping: Off



## Borderless printing

This feature expands the printable area to the edges of the paper. Printing time will be slightly slower.

- 1 Press **Menu**, **4**, **8**.
- 2 Press **▲** or **▼** to choose *Off* (or *On*). Press **OK**.
- 3 Press **Stop/Exit**.



## Scan to Card

You can scan black & white and color documents into a media card. Black & white documents will be stored in PDF (\*.PDF) or TIFF file formats (\*.TIF). Color documents may be stored in PDF (\*.PDF) or JPEG (\*.JPG) file formats. The default setting is Color 150 dpi and the default file format is PDF. File names default to the current date that you set using the control panel keys. (For details, see *the Quick Setup Guide*.) For example, the fifth image scanned on July 1, 2006 would be named 07010605.PDF. You can change the color, quality and file name.


Quality	File format
B/W 200x100 dpi	TIFF / PDF
B/W 200 dpi	TIFF / PDF
Color 150 dpi	PDF / JPEG
Color 300 dpi	PDF / JPEG
Color 600 dpi	PDF / JPEG

- 1 Insert a CompactFlash®, Memory Stick®, Memory Stick Pro™, SecureDigital™, MultiMediaCard™ or xD-Picture Card™ into your machine.



### WARNING

Do not take out the media card while **Photo Capture** is blinking to avoid damaging the card or data stored on the card.

- 2 Load your document.
- 3 Press  (**Scan**).
- 4 Press ▲ or ▼ to choose **Scan to Card**, choose one of the options below:
  - To change the quality press **OK** and go to step 5.
  - To start scanning press **Black Start** or **Color Start**.

- 5 Press ▲ or ▼ to choose the quality, choose one of the options below:
  - To change the file type press **OK** and go to step 6.
  - To start scanning press **Black Start** or **Color Start**.
- 6 Press ▲ or ▼ to choose the file type, choose one of the options below:
  - To change the file name press **OK** and go to step 7.
  - To start scanning press **Black Start** or **Color Start**.
- 7 The file name is set automatically. However, you can set a name of your choice using the dial pad. You can only change the first 6 digits. Press **Black Start** or **Color Start**.

## Changing the image quality

- 1 Press **Menu, 4, 9, 1**.
- 2 Press ▲ or ▼ to choose B/W 200x100 dpi, B/W 200 dpi, Color 150 dpi, Color 300 dpi or Color 600 dpi. Press **OK**.
- 3 Press **Stop/Exit**.

## Changing the black & white file format

- 1 Press **Menu, 4, 9, 2**.
- 2 Press ▲ or ▼ to choose **TIFF** or **PDF**. Press **OK**.
- 3 Press **Stop/Exit**.

## Changing the color file format

- 1 Press **Menu**, **4**, **9**, **3**.
- 2 Press **▲** or **▼** to choose **PDF** or **JPEG**.  
Press **OK**.
- 3 Press **Stop/Exit**.

## Understanding the Error Messages

Once you are familiar with the types of errors that can occur while you are using the PhotoCapture Center<sup>®</sup>, you can easily identify and troubleshoot any problems.

### ■ Media Error

This message will appear if you put in a media card that is either bad or not formatted, or when there is a problem with the media drive. To clear this error, take out the media card.

### ■ No File

This message will appear if you try to access a media card in the drive (slot) that does not contain a .JPG file.

### ■ Out of Memory

This message will appear if you are working with images that are too large for the machine's memory.



Your Brother machine supports the PictBridge standard, allowing you to connect to and print photos directly from any PictBridge compatible digital camera.

## Before Using PictBridge

### PictBridge requirements

To avoid errors, remember the following points:

- The machine and the digital camera must be connected using a suitable USB cable.
- The image file extension must be .JPG (Other image file extensions like .JPEG, .TIF, .GIF and so on will not be recognized).
- PhotoCapture Center<sup>®</sup> operations are not available when using the PictBridge feature.

## Using PictBridge

### Setting your digital camera

Make sure your camera is in PictBridge mode. The following PictBridge settings may be available from the LCD of your PictBridge compatible camera.

Depending on your camera some of these settings may not be available.

Camera Menu Selections	Options
Paper Size	Letter, A4, 4"×6", Printer Settings (Default setting) <sup>2</sup>
Paper Type	Plain Paper, Glossy Paper, Inkjet Paper, Printer Settings (Default setting) <sup>2</sup>
Layout	Borderless: On, Borderless: Off, Printer Settings (Default setting) <sup>2</sup>
DPOF setting <sup>1</sup>	-
Print Quality	Normal, Fine, Printer Settings (Default setting) <sup>2</sup>
Color Enhancement	On, Off, Printer Settings (Default setting) <sup>2</sup>

<sup>1</sup> See *DPOF printing* on page 84 for more details.

<sup>2</sup> If your camera is set to use the Printer Settings (Default setting), the machine will print your photo using the settings below.

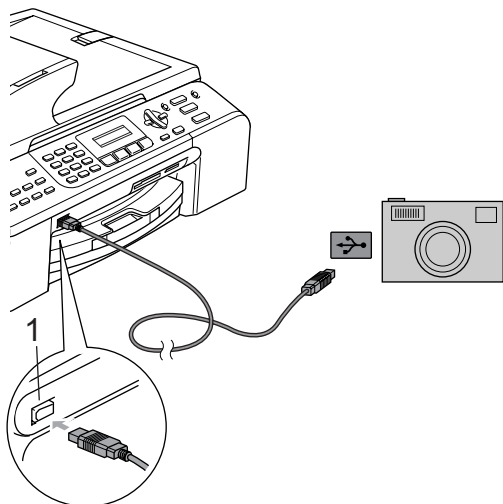
Settings	Options
Paper Size	4"×6"
Paper Type	Glossy Paper
Layout	Borderless: On
Print Quality	Fine
Color Enhancement	Off

- The names and availability of each setting depends on the specification of your camera.

Please refer to the documentation supplied with your camera for more detailed information on changing PictBridge settings.

## Printing Images

- 1 Make sure that your camera is turned off. Connect your camera to the PictBridge port on the machine using the USB cable.



1 PictBridge port



### Note

Remove any media cards from the machine before connecting the digital camera.

- 2 Turn on the camera. When the machine has recognized the camera, the LCD shows the following message:

Camera Connected

When the machine starts printing a photo, the LCD will show *Printing*.



### WARNING

To prevent damage to your machine, do not connect any device other than a PictBridge compatible camera to the PictBridge port.

## DPOF printing

DPOF stands for Digital Print Order Format.

Major digital camera manufacturers (Canon Inc., Eastman Kodak Company, Fuji Photo Film Co. Ltd., Matsushita Electric Industrial Co. Ltd. and Sony Corporation) created this standard to make it easier to print images from a digital camera.

If your digital camera supports DPOF printing, you will be able to choose on the digital camera display the images and number of copies you want to print.

## Understanding the Error Messages

Once you are familiar with the types of errors that can occur while you are using the PictBridge, you can easily identify and troubleshoot any problems.

### ■ Out of Memory

This message will appear if you are working with images that are too large for the machine's memory.

### ■ Wrong USB device

This message will appear if you connect a non-PictBridge compatible or broken device to the PictBridge port. To clear the error, unplug the device from the PictBridge port, then press **On/Off** to turn the machine off and then on again.

(See *Error messages* on page 105 for the detailed solution.)



# Software

---

Software and Network features

86

# 15

## Software and Network features

The CD-ROM includes the Software User's Guide and Network User's Guide for features available when connected to a computer (for example, printing and scanning). The guide has easy to use links that, when clicked, will take you directly to a particular section.

You can find information on these features:

- Printing
- Scanning
- ControlCenter3 (for Windows®)
- ControlCenter2 (for Macintosh®)
- Remote Setup
- Faxing from your computer
- PhotoCapture Center®
- Network Printing
- Network Scanning

### How to read the HTML User's Guide

This is a quick reference for how to access the HTML User's Guide.

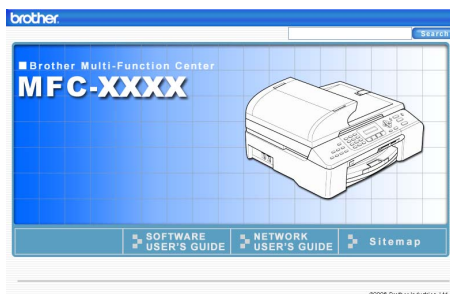
#### (For Windows®)



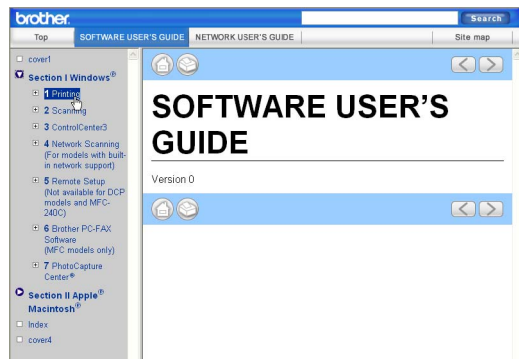
#### Note

If you have not installed the software, see *Viewing Documentation* on page 3.

- 1 From the **Start** menu, point to **Brother**, **MFC-XXXX** (where XXXX is your model number) from the programs group, then click **User's Guide**.
- 2 Click **SOFTWARE USER'S GUIDE** (or **NETWORK USER'S GUIDE**) from the top menu.

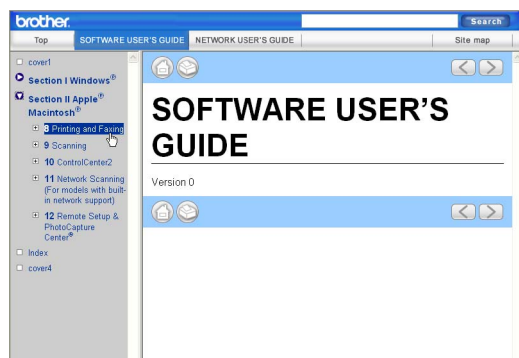


- 3 Click the heading you would like to read from the list at the left of the window.



#### (For Macintosh®)

- 1 Make sure your Macintosh® is turned on. Insert the Brother CD-ROM into your CD-ROM drive.
- 2 Double-click the **Documentation** icon.
- 3 Double-click your language folder, and then double-click the top page file.
- 4 Click **SOFTWARE USER'S GUIDE** (or **NETWORK USER'S GUIDE**) in the top menu, and then click the heading you would like to read from the list at the left of the window.





# Appendixes

---

<b>Safety and Legal</b>	88
<b>Troubleshooting and Routine Maintenance</b>	99
<b>Menu and Features</b>	122
<b>Specifications</b>	133
<b>Glossary</b>	144

# A

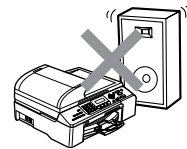
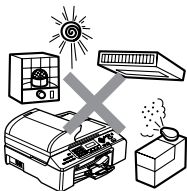
## Safety and Legal

### Choosing a location

Put your machine on a flat, stable surface that is free of vibration and shocks, such as a desk. Put the machine near a telephone wall jack and a standard AC power outlet. Choose a location where the temperature remains between 50° F and 95° F (10° and 35° C).

#### ! CAUTION

- Avoid placing your machine in a high-traffic area.
- Avoid placing your machine on a carpet.
- DO NOT put the machine near heaters, air conditioners, refrigerators, medical equipment, chemicals or water.
- DO NOT expose the machine to direct sunlight, excessive heat, moisture, or dust.
- DO NOT connect your machine to electrical outlets controlled by wall switches or automatic timers.
- Disruption of power can wipe out information in the machine's memory.
- Do not connect your machine to electrical outlets on the same circuit as large appliances or other equipment that might disrupt the power supply.
- Avoid interference sources, such as speakers or the base units of non-Brother cordless phones.





## To use the machine safely

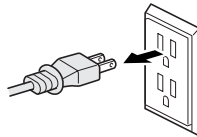
Please keep these instructions for later reference and read them before attempting any maintenance.



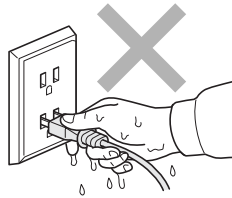
### WARNING



There are high voltage electrodes inside the machine. Before you clean the inside of the machine, make sure you have unplugged the telephone line cord first and then the power cord from the AC power outlet. Doing this will prevent an electrical shock.



DO NOT handle the plug with wet hands. Doing this may cause an electrical shock.



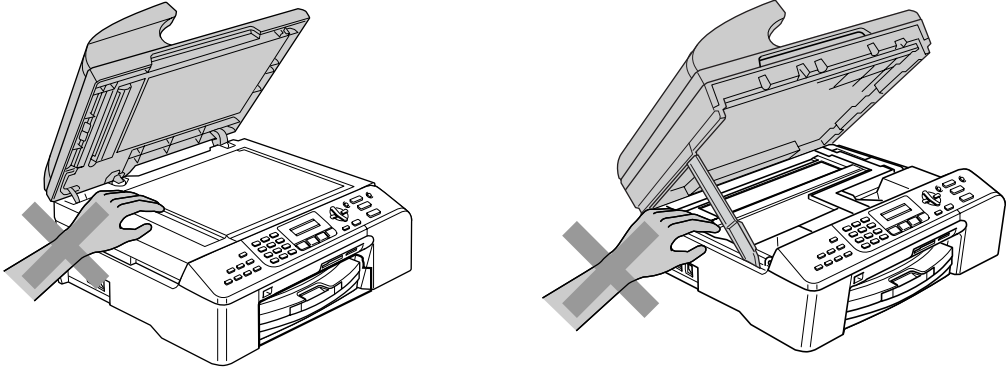
Always make sure the plug is fully inserted.



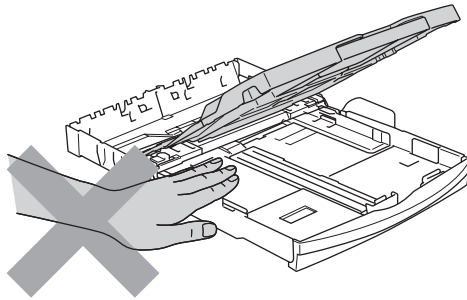
DO NOT pull in the middle of the AC power cord. Doing this may cause an electrical shock.



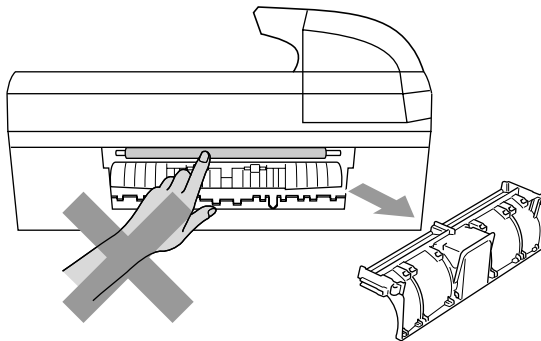
DO NOT put your hands on the edge of the machine under the document cover or the scanner cover. Doing this may cause injury.



DO NOT put your hands on the edge of the paper tray under the output paper tray cover. Doing this may cause injury.

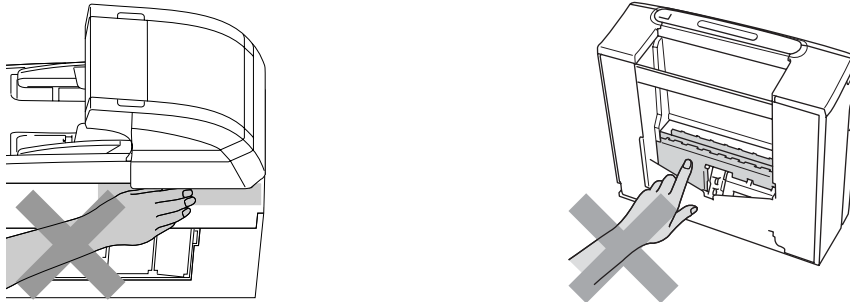


DO NOT touch the paper feed roller. Doing this may cause injury.

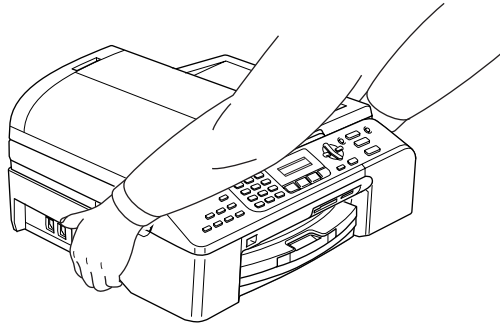




DO NOT touch the area shaded in the illustration. Doing this may cause injury.



When moving the machine you must lift it from the base, by placing a hand at each side of the unit as shown in the illustration. Do not carry the machine by holding the scanner cover.



If the machine becomes hot, releases smoke, or generates any strong smells, immediately unplug the machine from the AC power outlet. Call Brother Customer Service. (See *Brother numbers* on page i.)

If metal objects, water or other liquids get inside the machine, immediately unplug the machine from the AC power outlet. Call Brother Customer Service. (See *Brother numbers* on page i.)

## WARNING

- Use caution when installing or modifying telephone lines. Never touch telephone wires or terminals that are not insulated unless the telephone line has been unplugged at the wall jack. Never install telephone wiring during a lightning storm. Never install a telephone wall jack in a wet location.
- This product must be installed near an AC power outlet that is easily accessible. In case of an emergency, you must unplug the power cord from the AC power outlet to shut off the power completely.
- Always make sure the plug is fully inserted.
- To reduce the risk of shock or fire, use only a No. 26 AWG or larger telecommunication line cord.

## CAUTION

Lightning and power surges can damage this product! We recommend that you use a quality surge protection device on the AC power line and on the telephone line, or unplug the cords during a lightning storm.

## WARNING

### **IMPORTANT SAFETY INSTRUCTIONS**

When using your telephone equipment, basic safety precautions should always be followed to reduce the risk of fire, electric shock and injury to people, including the following:

- 1 DO NOT use this product near water, for example, near a bath tub, wash bowl, kitchen sink or washing machine, in a wet basement or near a swimming pool.
- 2 Avoid using this product during an electrical storm. There may be a remote risk of electric shock from lightning.
- 3 DO NOT use this product to report a gas leak in the vicinity of the leak.
- 4 Use only the power cord provided with the machine.

## Important safety instructions

---

- 1 Read all of these instructions.
- 2 Save them for later reference.
- 3 Follow all warnings and instructions marked on the product.
- 4 Unplug this product from the wall outlet before cleaning the inside of the machine. Do not use liquid or aerosol cleaners. Use a damp cloth for cleaning.
- 5 Do not use this product near water.
- 6 Do not place this product on an unstable cart, stand, or table. The product may fall, causing serious damage to the product.
- 7 Slots and openings in the cabinet and the back or bottom are provided for ventilation. To ensure reliable operation of the product and to protect it from overheating, these openings must not be blocked or covered. The openings should never be blocked by placing the product on a bed, sofa, rug, or other similar surface. This product should never be placed near or over a radiator or heater. This product should never be placed in a built-in installation unless proper ventilation is provided.
- 8 This product should be operated from the type of power source indicated on the label. If you are not sure of the type of power available, call your dealer or local power company.
- 9 Use only the power cord supplied with this machine.
- 10 This product is equipped with a 3-wire grounded plug, a plug having a third (grounded) pin. This plug will only fit into a grounded power outlet. This is a safety feature. If you are unable to insert the plug into the outlet, call your electrician to replace your obsolete outlet. Do not defeat the purpose of the grounded plug.
- 11 Do not allow anything to rest on the power cord. Do not place this product where people can walk on the cord.
- 12 If an extension cord is used with this product, make sure that the total ampere ratings of the products plugged into the extension cord do not exceed the extension cord ampere rating. Also, make sure that the total of all products plugged into the AC power outlet does not exceed 15 amperes (USA only).
- 13 Do not place anything in front of the machine that will block received faxes. Do not place anything in the path of received faxes.
- 14 Wait until pages have exited the machine before picking them up.
- 15 Never push objects of any kind into this product through cabinet slots, since they may touch dangerous voltage points or short out parts resulting in the risk of fire or electric shock. Never spill liquid of any kind on the product. Do not attempt to service this product yourself because opening or removing covers may expose you to dangerous voltage points and other risks and may void your warranty. Refer all servicing to a Brother Authorized Service Center. For the location of your nearest Brother Authorized Service Center, please call the following:

**In USA:** 1-800-284-4357

**In Canada:** 1-877-BROTHER

(See *Brother numbers* on page i.)

16 Unplug this product from the AC power outlet and refer all servicing to Brother Authorized Service Personnel under the following conditions:

- When the power cord is damaged or frayed.
- If liquid has been spilled into the product.
- If the product has been exposed to rain or water.
- If the product does not operate normally when the operating instructions are followed, adjust only those controls that are covered by the operating instructions. Improper adjustment of other controls may result in damage and will often require extensive work by a qualified technician to restore the product to normal operation.
- If the product has been dropped or the cabinet has been damaged.
- If the product exhibits a distinct change in performance, indicating a need for service.

17 To protect your product against power surges, we recommend the use of a power protection device (Surge Protector).

18 To reduce the risk of fire, electric shock and injury to people, note the following:

- Do not use this product near appliances that use water, a swimming pool, or in a wet basement.
- Do not use the machine during an electrical storm (there is the remote possibility of an electrical shock) or to report a gas leak in the vicinity of the leak.

19 Caution - To reduce the risk of fire, use only No.26 AWG or larger telecommunication line cord.

## **Standard telephone and FCC Notices (These notices are in effect on models sold and used in the United States only.)**

---

**When programming emergency numbers or making test calls to emergency numbers:**

- Remain on the line and briefly explain to the dispatcher the reason for the call before hanging up.
- Perform these activities in the off-peak hours, such as early morning or late evening.

This equipment complies with Part 68 of the FCC rules and the requirements adopted by the ACTA. On the backside of this equipment is a label that contains, among other information, a product identifier in the format US: AAAEQ##TXXXX. If requested, this number must be provided to the telephone company.

You may safely connect this equipment to the telephone line by means of a standard modular jack, USOC RJ11C.

A plug and jack used to connect this equipment to the premises wiring and telephone network must comply with the applicable FCC Part 68 rules and requirements adopted by the ACTA. A compliant telephone cord and modular plug is provided with this product. It is designed to be connected to a compatible modular jack that is also compliant. See installation instructions for details.

The REN is used to determine the number of devices that may be connected to a telephone line. Excessive RENs on a telephone line may result in the devices not ringing in response to an incoming call. In most but not all areas, the sum of RENs should not exceed five (5.0). To be certain of the number of devices that may be connected to a line, as determined by the total RENs, contact the local telephone company. For products approved after July 23, 2001, the REN for this product is part of the product identifier that has the format US:AAAEQ##TXXXX. The digits represented by ## are the REN without a decimal point (e.g., 06 is a REN of 0.6). For earlier products, the REN is separately shown on the label.

If this equipment causes harm to the telephone network, the telephone company will notify you in advance that temporary discontinuance of service may be required. But if advance notice isn't practical, the telephone company will notify the customer as soon as possible. Also, you will be advised of your right to file a complaint with the FCC if you believe it is necessary.

The telephone company may make changes in its facilities, equipment, operations or procedures that could affect the operation of the equipment. If this happens the telephone company will provide advance notice in order for you to make necessary modifications to maintain uninterrupted service.

If trouble is experienced with this equipment, for repair or warranty information, please contact Brother Customer Service. (See *Brother numbers* on page i.) If the equipment is causing harm to the telephone network, the telephone company may request that you disconnect the equipment until the problem is resolved.

Connection to party line service is subject to state tariffs. Contact the state public utility commission, public service commission or corporation commission for information.

If your home has specially wired alarm equipment connected to the telephone line, ensure the installation of this equipment does not disable your alarm equipment. If you have questions about what will disable alarm equipment, call your telephone company or a qualified installer.

If you are not able to solve a problem with your machine, call Brother Customer Service. (See *Brother numbers* on page i.)



## WARNING

For protection against the risk of electrical shock, always disconnect all cables from the wall outlet before servicing, modifying or installing the equipment.

This equipment may not be used on coin service lines provided by the telephone company or connected to party lines.

Brother cannot accept any financial or other responsibilities that may be the result of your use of this information, including direct, special or consequential damages. There are no warranties extended or granted by this document.

This machine has been certified to comply with FCC standards, which are applied to the USA only.

## Federal Communications Commission (FCC) Declaration of Conformity (USA only)

---

Responsible Party: Brother International Corporation  
100 Somerset Corporate Boulevard  
Bridgewater, NJ 08807-0911 USA  
TEL: (908) 704-1700

declares, that the products

Product Name: MFC-5460CN, MFC-5860CN

comply with Part 15 of the FCC Rules. Operation is subject to the following two conditions: (1) This device may not cause harmful interference, and (2) this device must accept any interference received, including interference that may cause undesired operation.

This equipment has been tested and found to comply with the limits for a Class B digital device, pursuant to Part 15 of the FCC Rules. These limits are designed to provide reasonable protection against harmful interference in a residential installation. This equipment generates, uses, and can radiate radio frequency energy and, if not installed and used in accordance with the instructions, may cause harmful interference to radio communications. However, there is no guarantee that interference will not occur in a particular installation. If this equipment does cause harmful interference to radio or television reception, which can be determined by turning the equipment off and on, the user is encouraged to try to correct the interference by one or more of the following measures:

- Reorient or relocate the receiving antenna.
- Increase the separation between the equipment and receiver.
- Connect the equipment into an outlet on a circuit different from that to which the receiver is connected.
- Call the dealer or an experienced radio/TV technician for help.

### IMPORTANT

Changes or modifications not expressly approved by Brother Industries, Ltd. could void the user's authority to operate the equipment.

## Industry Canada Compliance Statement (Canada only)

---

This Class B digital apparatus complies with Canadian ICES-003.

Cet appareil numérique de la classe B est conforme à la norme NMB-003 du Canada.



## LAN connection

---

### CAUTION

DO NOT connect this product to a LAN connection that is subject to over-voltages.

## Legal limitations for copying

---

Color reproductions of certain documents are illegal and may result in either criminal or civil liability. This memorandum is intended to be a guide rather than a complete listing of every possible prohibition. In case of doubt, we suggest that you check with counsel as to any particular questionable documents.

The following documents issued by the United States/Canadian Government or any of its Agencies may not be copied:

- Money
- Bonds or other certificates of indebtedness
- Certificates of Deposit
- Internal Revenue Stamps (canceled or uncanceled)
- Selective Service or draft papers
- Passports
- United States/Canadian Postage Stamps (canceled or uncanceled)
- Food Stamps
- Immigration Papers
- Checks or drafts drawn by Governmental agencies
- Identifying badges or insignias

Copyrighted works cannot be copied. Sections of a copyrighted work can be copied for 'fair use.' Multiple copies would indicate improper use.

Works of art should be considered the equivalent of copyrighted works.

Licenses and Certificates of Title to motor vehicles may not be copied under certain state/provincial laws.

## Trademarks

---

The Brother logo is a registered trademark of Brother Industries, Ltd.

Brother is a registered trademark of Brother Industries, Ltd.

Multi-Function Link is a registered trademark of Brother International Corporation.

© 2006 Brother Industries, Ltd. All rights reserved.

Windows and Microsoft are registered trademarks of Microsoft in the U.S. and other countries.

Macintosh and TrueType are registered trademarks of Apple Computer, Inc.

PaperPort is a registered trademark of ScanSoft, Inc.

Presto! PageManager is a registered trademark of NewSoft Technology Corporation.

Microdrive is a trademark of International Business Machine Corporation.

CompactFlash is a registered trademark of SanDisk Corporation.

Memory Stick is a registered trademark of Sony Corporation.

SecureDigital is a trademark of Matsushita Electric Industrial Co. Ltd., SanDisk Corporation and Toshiba Corporation.

SanDisk is a licensee of the SD and miniSD trademarks.

MultiMediaCard is a trademark of Infineon Technologies and licensed to the MultiMediaCard Association.

xD-Picture Card is a trademark of Fujifilm Co. Ltd., Toshiba Corporation and Olympus Optical Co. Ltd.

PictBridge is a trademark.

Memory Stick Pro, Memory Stick Pro Duo, Memory Stick Duo and MagicGate are trademarks of Sony Corporation.

Each company whose software title is mentioned in this manual has a Software License Agreement specific to its proprietary programs.

**All other brand and product names mentioned in this User's Guide, the Software User's Guide, and the Network User's Guide are registered trademarks of their respective companies.**

# B

# Troubleshooting and Routine Maintenance

## Troubleshooting

### IMPORTANT

For technical help, you must call the country where you bought the machine. Calls must be made **from within** that country.

If you think there is a problem with your machine, check the chart below and follow the troubleshooting tips.

Most problems can be easily resolved by yourself. If you need additional help, the Brother Solutions Center offers the latest FAQs and troubleshooting tips. Visit us at <http://solutions.brother.com>.

## If you are having difficulty with your machine

### Printing

Difficulty	Suggestions
No printout	Check the interface cable connection on both the machine and your computer. (See the <i>Quick Setup Guide</i> .)
	Check that the machine is plugged in and that the <b>On/Off</b> key is on.
	One or more ink cartridges are empty. (See <i>Replacing the ink cartridges</i> on page 113.)
	Check to see if the LCD is showing an error message. (See <i>Error messages</i> on page 105.)
	Check that the correct printer driver has been installed and chosen.
	Make sure the machine is online. Click <b>Start</b> and then <b>Printers and Faxes</b> . Right-click and choose 'Brother MFC-XXXX' (where XXXX is your model name), and make sure that 'Use Printer Offline' is unchecked.

## Printing (Continued)

Difficulty	Suggestions
Poor print quality	Check the print quality. (See <i>Checking the print quality</i> on page 118.)
	Make sure that the Printer Driver or Paper Type setting in the menu matches the type of paper you are using. (See <i>Printing for Windows</i> <sup>®</sup> or <i>Printing and Faxing for Macintosh</i> <sup>®</sup> in the Software User's Guide on the CD-ROM and <i>Paper Type</i> on page 23.)
	Make sure that your ink cartridges are fresh. The following may cause ink to clog: <ul style="list-style-type: none"> <li>■ The expiration date written on the cartridge package has passed. (Cartridges stay usable for up to two years if kept in their original packaging.)</li> <li>■ The ink cartridge was in your machine over six months.</li> <li>■ The ink cartridge may not have been stored properly before use.</li> </ul>
	Try using the recommended types of paper. (See <i>Acceptable paper and other media</i> on page 12.)
	The recommended environment for your machine is between 68° F to 91° F (20° C to 33° C).
White horizontal lines appear in text or graphics.	Clean the print head. (See <i>Cleaning the print head</i> on page 117.)
	Try using the recommended types of paper. (See <i>Acceptable paper and other media</i> on page 12.)
The machine prints blank pages.	Clean the print head. (See <i>Cleaning the print head</i> on page 117.)
Characters and lines are stacked.	Check the printing alignment. (See <i>Checking the printing alignment</i> on page 119.)
Printed text or images are skewed.	Make sure the paper is loaded properly in the paper tray and the paper side guide is adjusted correctly. (See <i>Loading paper, envelopes and other media</i> on page 16.)
	Make sure the Jam Clear Cover is set properly.
Smudged stain at the top center of the printed page.	Make sure the paper is not too thick or curled. (See <i>Acceptable paper and other media</i> on page 12.)
Printing appears dirty or ink seems to run.	Make sure you are using the proper types of paper. (See <i>Acceptable paper and other media</i> on page 12.) Don't handle the paper until the ink is dry.
Stains appear on the reverse side or at the bottom of the page.	Make sure the printer platen is not dirty with ink. (See <i>Cleaning the machine printer platen</i> on page 116.)
	Make sure you are using the paper support flap. (See <i>Loading paper, envelopes and other media</i> on page 16.)
There are some dense lines.	Check <b>Reverse Order</b> in the <b>Basic</b> tab of the printer driver.
The printouts are wrinkled.	In the printer driver <b>Basic</b> tab, click the <b>Settings</b> , and uncheck the <b>Bi-Directional Printing</b> .
Cannot perform '2 in 1 or 4 in 1' printing.	Check that the paper size setting in the application and in the printer driver are the same.
Print speed is too slow.	Try changing the printer driver setting. The highest resolution needs longer data processing, sending and printing time. Try the other quality settings in the printer driver <b>Basic</b> tab. Also, click the <b>Settings</b> tab, and make sure you uncheck <b>Color Enhancement (True2Life</b> <sup>®</sup> <b>)</b> .
	Turn the borderless feature off. Borderless printing is slower than normal printing. (See <i>Printing for Windows</i> <sup>®</sup> or <i>Printing and Faxing for Macintosh</i> <sup>®</sup> in the Software User's Guide on the CD-ROM.)

## Printing (Continued)

Difficulty	Suggestions
True2Life® is not working properly.	If the image data is not full color in your application (such as 256 color), True2Life® will not work. Use at least 24 bit color data with the True2Life® feature.
Machine feeds multiple pages	Make sure the paper is loaded properly in the paper tray. (See <i>Loading paper, envelopes and other media</i> on page 16.)
	Check that more than two types of paper are not loaded in the paper tray at any one time.
Printed pages are not stacked neatly.	Make sure you are using the paper support flap. (See <i>Loading paper, envelopes and other media</i> on page 16.)
Printed pages double-feed and cause a paper jam.	Make sure you pull out the paper support until it clicks and unfold the paper support flap.
Machine does not print from Paint Brush.	Try setting the Display setting to '256 colors.'
Machine does not print from Adobe Illustrator.	Try to reduce the print resolution. (See <i>Printing for Windows®</i> or <i>Printing and Faxing for Macintosh®</i> in the Software User's Guide on the CD-ROM.)
The machine cannot print full pages of a document.  Out of Memory message occurs.	Reduce the printing resolution. (See <i>Printing for Windows®</i> or <i>Printing and Faxing for Macintosh®</i> in the Software User's Guide on the CD-ROM.)  Reduce the complexity of your document and try again. Reduce the graphic quality or the number of font sizes within your application software.

## Printing Received Faxes

Difficulty	Suggestions
Condensed print and white streaks across the page or the top and bottom of sentences are cut off.	You probably had a bad connection, with static or interference on the telephone line. Ask the other party to send the fax again.
Vertical black lines when receiving.	The sender's scanner may be dirty. Ask the sender to make a copy to see if the problem is with the sending machine. Try receiving from another fax machine.
Received color fax prints only in black and white.	Replace the color ink cartridges that are empty or nearly empty, and then ask the other person to send the color fax again. (See <i>Replacing the ink cartridges</i> on page 113.)
Left and Right margins are cut off or a single page is printed on two pages.	Turn on Auto Reduction. (See <i>Printing a reduced incoming fax</i> on page 40.)

## Phone Line or Connections

Difficulty	Suggestions
Dialing does not work. (No dial tone)	Check that the machine is plugged in and switched on.
	Check all line cord connections.
	(Canada only) Change Tone/Pulse setting. (See <i>the Quick Setup Guide.</i> )
	If an external phone is connected to the machine, send a manual fax by lifting the handset of the external phone and dialing the number. Wait to hear fax receiving tone before pressing <b>Black Start</b> or <b>Color Start</b> .


## Phone Line or Connections (Continued)

Difficulty	Suggestions
The machine does not answer when called.	Check all line cord connections.
	Make sure the machine is in the correct receiving mode for your setup. (See <i>Choosing the Receive Mode</i> on page 37.) Check for a dial tone. If possible, call your machine to hear it answer. If there is still no answer, check the telephone line cord connection. If there is no ringing when you call your machine, ask your telephone company to check the line.

## Receiving Faxes

Difficulty	Suggestions
Cannot receive a fax	Check all line cord connections.
	Make sure the machine is in the correct receiving mode for your setup. (See <i>Receive modes</i> on page 37.)
	If you often have interference on the phone line, try changing the menu setting of Compatibility to <i>Basic</i> or <i>Normal</i> . (See <i>Phone line interference</i> on page 112.)

## Sending Faxes

Difficulty	Suggestions
Cannot send a fax	Check all line cord connections.
	Make sure that the Fax  key is illuminated. (See <i>Entering Fax mode</i> on page 30.)
	Ask the other party to check that the receiving machine has paper.
	Print the Transmission Verification Report and check for an error. (See <i>Reports</i> on page 62.)
Transmission Verification Report says 'Result:NG' or 'Result:ERROR'.	There is probably temporary noise or static on the line. Try sending the fax again. If you send a PC FAX message and get 'Result:NG' on the Transmission Verification Report, your machine may be out of memory. If the problem continues, ask the telephone company to check your phone line.
	If you often get transmission errors due to possible interference on the phone line, try changing the menu setting of Compatibility to <i>Basic</i> or <i>Normal</i> . (See <i>Phone line interference</i> on page 112.)
Poor fax send quality.	Try changing your resolution to <i>Fine</i> or <i>S.Fine</i> . Make a copy to check your machine's scanner operation. If the copy quality is not good, clean the scanner. (See <i>Cleaning the scanner</i> on page 116.)
Vertical black lines when sending.	If the copy you made shows the same problem, clean the scanner. (See <i>Cleaning the scanner</i> on page 116)


## Handling Incoming Calls

Difficulty	Suggestions
The machine 'Hears' a voice as a CNG Tone.	If Easy Receive is set to on, your machine is more sensitive to sounds. It may mistakenly interpret certain voices or music on the line as a fax machine calling and respond with fax receiving tones. Deactivate the machine by pressing <b>Stop/Exit</b> . Try avoiding this problem by turning Easy Receive to off. (See <i>Easy Receive</i> on page 39.)


## Handling Incoming Calls (Continued)

Difficulty	Suggestions
Sending a fax call to the machine.	If you answered at the machine, press <b>Black Start</b> and hang up at once. If you answered on an external or extension phone, press your Fax Receive Code (default setting is ✕51). When your machine answers, hang up.
Custom features on a single line.	If you have Call Waiting, Call Waiting/Caller ID, Voice Mail, an alarm system or other custom feature on a single phone line with your machine, it may create a problem sending or receiving faxes.  <b>For example:</b> If you subscribe to Call Waiting or some other custom service and its signal comes through the line while your machine is sending or receiving a fax, the signal can temporarily interrupt or disrupt the faxes. Brother's ECM feature should help overcome this problem. This condition is related to the telephone system industry and is common to all devices that send and receive information on a single, shared line with custom features. If avoiding a slight interruption is crucial to your business, a separate phone line with no custom features is recommended.

## Menu Setting Difficulties

Difficulty	Suggestions
The machine beeps when you try to access the Setup Receive menu.	If the Fax  key is not illuminated, press it to turn on Fax mode. The Setup Receive setting is available only when the machine is in Fax mode.

## Copying Difficulties

Difficulty	Suggestions
Cannot make a copy	Make sure that the Copy  key is illuminated. (See <i>Entering Copy mode</i> on page 66.)
Vertical streaks appear in copies	If you see vertical streaks on copies, clean the scanner. (See <i>Cleaning the scanner</i> on page 116.)
Poor copy results when using the ADF.	Try using the scanner glass. (See <i>Using the scanner glass</i> on page 11.)

## Scanning Difficulties

Difficulty	Suggestions
TWAIN/WIA errors appear while scanning.	Make sure the Brother TWAIN/WIA driver is chosen as the primary source. In PaperPort® SE with OCR, click <b>File, Scan</b> and choose the Brother TWAIN/WIA driver.
Poor scanning results when using the ADF.	Try using the scanner glass. (See <i>Using the scanner glass</i> on page 11.)

## Software Difficulties

Difficulty	Suggestions
Cannot install software or print	Run the <b>Repair MFL-Pro Suite</b> program on the CD-ROM. This program will repair and reinstall the software.
'Device Busy'	Make sure the machine is not showing an error message on the LCD.

## PhotoCapture Center® Difficulties

Difficulty	Suggestions
Removable Disk does not work properly.	<ol style="list-style-type: none"> <li>1 Have you installed the Windows® 2000 update? If not, do the following:               <ol style="list-style-type: none"> <li>1) Unplug the USB cable.</li> <li>2) Install the Windows® 2000 update, and see the <i>Quick Setup Guide</i>. After the installation the PC will be automatically restarted.</li> <li>3) Wait about 1 minute after you restart the PC, and then connect the USB cable.</li> </ol> </li> <li>2 Take out the media card and put it back in again.</li> <li>3 If you have tried 'Eject' from within Windows®, take out the media card before you continue.</li> <li>4 If an error message appears when you try to eject the media card, it means the card is being accessed. Wait a while and then try again.</li> <li>5 If all of the above do not work, turn off your PC and machine, and then turn them on again. (You will have to unplug the power cord of the machine to turn it off.)</li> </ol>
Cannot access Removable Disk from Desktop icon.	Make sure you have put the media card into the media slot.

## Network Difficulties

Difficulty	Suggestions
Cannot print over the Network.	<p>Make sure that your machine is powered on and is online and in Ready mode. Print a Network Configuration list (see <i>Reports</i> on page 62.) and check the current Network settings printed in this list. Reconnect the LAN cable to the hub to verify that the cabling and network connections are good. If possible, try connecting the machine to a different port on your hub using a different cable. If the connections are good, the machine shows LAN Active for 2 seconds.</p> <p>(If you are having Network problems, see the <i>Network User's Guide</i> on the CD-ROM for more information.)</p>
The network scanning feature does not work.	<p>(For Windows® users only) Firewall setting on your PC may be rejecting the necessary network connection. Follow the instructions below to configure the Firewall. If you are using a personal Firewall software, see the <i>User's Guide</i> for your software or contact the software manufacturer.</p> <p>&lt;Windows® XP SP2 users&gt;</p> <ol style="list-style-type: none"> <li>1 Click the <b>Start</b> button, <b>Control Panel</b> and then <b>Windows Firewall</b>. Make sure that Windows Firewall on the <b>General</b> tab is set to On.</li> <li>2 Click <b>Advanced tab</b> and <b>Settings</b> button in <b>Network Connection Settings</b>.</li> <li>3 Click <b>Add</b> button, and in the "Description of service" field, enter any name. In the "Name or IP Address" field enter "localhost". In the internal and external port numbers fields enter "54925" for network scanning. Choose <b>UDP</b> and click <b>OK</b>. Repeat this step adding Port 54926 for network PC-FAX receiving and Port 137 for both network scanning and network PC-FAX receiving.</li> <li>4 Make sure the new settings are added and the box is checked, and then click <b>OK</b>.</li> </ol>
The network PC-Fax Receive feature does not work.	



## Network Difficulties (Continued)

Difficulty	Suggestions
Your computer cannot find your machine.	<p>&lt;Windows® users&gt;</p> <p>Firewall setting on you PC may be rejecting the necessary network connection. For detail, see the instruction above.</p> <p>&lt;Macintosh® users&gt;</p> <p>Re-select your machine in the DeviceSelector application located in Macintosh HD/Library/Printers/Brother/Utilities or from the model of ControlCenter2.</p>

## Error messages

As with any sophisticated office product, errors may occur. If this happens, your machine identifies the error and shows an error message. The most common error messages are shown below.

You can correct most errors by yourself. If you need more help, the Brother Solutions Center offers the latest FAQs and troubleshooting tips.

Visit us at <http://solutions.brother.com>.

Error Message	Cause	Action
Change Unable XX	<p>The machine has a mechanical problem.</p> <p>—OR—</p> <p>A foreign objects such as a clip or ripped paper is in the machine.</p>	Open the scanner cover and remove any foreign objects inside the machine. If the error message continues, see <i>Transferring your faxes or Fax Journal report</i> on page 108 before disconnecting the machine so you will not lose any important messages. Then, disconnect the machine from the power for several minutes and then reconnect it.
Clean Unable XX	<p>The machine has a mechanical problem.</p> <p>—OR—</p> <p>A foreign objects such as a clip or ripped paper is in the machine.</p>	Open the scanner cover and remove any foreign objects inside the machine. If the error message continues, see <i>Transferring your faxes or Fax Journal report</i> on page 108 before disconnecting the machine so you will not lose any important messages. Then, disconnect the machine from the power for several minutes and then reconnect it.
Comm.Error	Poor phone line quality caused a communication error.	Send the fax again or connect the machine to another telephone line. If the problem continues, call the telephone company and ask them to check your phone line.
Cover is Open	The scanner cover is not closed completely.	Lift the scanner cover and then close it again.
	The ink cartridge cover is not completely closed.	Firmly close the ink cartridge cover until it clicks.

Error Message	Cause	Action
Data Remaining	Print data is left in the machine's memory.	Re-start printing from your computer.
	Print data is left in the machine's memory. The USB cable was unplugged while the computer was sending the data to the machine.	Press <b>Stop/Exit</b> . The machine will cancel the job and clear it from the memory. Try to print again.
Disconnected	The other person or other person's fax machine stopped the call.	Try to send or receive again.
Document Jam	The document was not inserted or fed properly, or the document scanned from the ADF was too long.	See <i>Using the ADF</i> on page 10. See <i>Document jam</i> on page 109.
DR Mode in Use	The machine is set to Distinctive Ring mode. You cannot change the Receive Mode from Manual to another mode.	Set Distinctive Ring to off. (See <i>Turning off Distinctive Ring</i> on page 43.)
High Temperature	The print head is too warm.	Allow the machine to cool down.
Init. Unable XX	The machine has a mechanical problem.  —OR— A foreign objects such as a clip or ripped paper is in the machine.	Open the scanner cover and remove any foreign objects inside the machine. If the error message continues, see <i>Transferring your faxes or Fax Journal report</i> on page 108 before disconnecting the machine so you will not lose any important messages. Then, disconnect the machine from the power for several minutes and then reconnect it.
Ink Empty	One or more of the ink cartridges is empty. The machine will stop all print operations. While memory is available, black and white faxes will be stored in the memory. If a sending machine has a color fax, the machine's 'handshake' will ask that the fax be sent as black and white. If the sending machine has the ability to convert it, the color fax will be stored in the memory as a black and white fax.	Replace the ink cartridges. (See <i>Replacing the ink cartridges</i> on page 113.)
Low Temperature	The print head is too cold.	Allow the machine to warm up.
Media Error	The media card is either corrupted, improperly formatted, or there is a problem with the media card.	Put the card firmly into the slot again to make sure it is in the correct position. If the error remains, check the media drive by putting in another media card that you know is working.

Error Message	Cause	Action
Near Empty	One or more of the ink cartridges are running out of ink. If a sending machine has a color fax, the machine's 'handshake' will ask that the fax be sent as black and white. If the sending machine has the ability to convert it, the color fax will be received into memory as a black and white fax.	Order a new ink cartridge. (See <i>Ordering accessories and supplies</i> on page iii.)
No Caller ID	You have not subscribed to the Caller ID service from your telephone company.	If you want to use the Caller ID feature call your telephone company. (See <i>Caller ID</i> on page 44.)
No Cartridge	An ink cartridge is not installed properly.	Take out the ink cartridge and put it in again seating it properly. (See <i>Replacing the ink cartridges</i> on page 113.)
No File	The media card in the media drive does not contain a .JPG file.	Put the correct media card into the slot again.
No Paper Fed	The machine is out of paper or paper is not properly loaded in the paper tray.	Do one of the following: <ul style="list-style-type: none"> <li>■ Refill the paper in the paper tray, and then press <b>Black Start</b> or <b>Color Start</b>.</li> <li>■ Remove the paper and load it again and then press <b>Black Start</b> or <b>Color Start</b>.</li> </ul>
	The paper is jammed in the machine.	See <i>Printer jam or paper jam</i> on page 110.
No Response/Busy	The number you dialed does not answer or is busy.	Verify the number and try again.
Not Registered	You tried to access a Speed Dial number that is not programmed.	Set up the Speed Dial number. (See <i>Storing Speed-Dial numbers</i> on page 51.)
Out of Memory	The machine's memory is full.	<p><b>Fax sending or copy operation in progress</b></p> <p>Press <b>Stop/Exit</b> and wait until the other operations in progress finish and then try again.</p> <p><b>Printing operation in progress</b></p> <p>Reduce print resolution. (For details, see <i>Printing for Windows</i><sup>®</sup> or <i>Printing and Faxing for Macintosh</i><sup>®</sup> in the Software User's Guide on the CD-ROM.)</p>
Paper Jam	Paper is jammed in the machine.	See <i>Printer jam or paper jam</i> on page 110.
Print Unable XX	<p>The machine has a mechanical problem.</p> <p>—OR—</p> <p>A foreign objects such as a clip or ripped paper is in the machine.</p>	<p>Open the scanner cover and remove any foreign objects inside the machine.</p> <p>If the error message continues, see <i>Transferring your faxes or Fax Journal report</i> on page 108 before disconnecting the machine so you will not lose any important messages. Then, disconnect the machine from the power for several minutes and then reconnect it.</p>

Error Message	Cause	Action
Scan Unable XX	The machine has a mechanical problem.  —OR— A foreign objects such as a clip or ripped paper is in the machine.	Open the scanner cover and remove any foreign objects inside the machine. If the error message continues, see <i>Transferring your faxes or Fax Journal report</i> on page 108 before disconnecting the machine so you will not lose any important messages. Then, disconnect the machine from the power for several minutes and then reconnect it.
Wrong Paper Size	Paper is not the correct size.	Load the correct size of paper (Letter, Legal or A4), and then press <b>Black Start</b> or <b>Color Start</b> .
Wrong USB Device	A non-PictBridge compatible or broken device has been connected to the PictBridge port.	Unplug the device from the PictBridge port, then press <b>On/Off</b> to turn the machine off and then on again.

## Transferring your faxes or Fax Journal report

If the LCD shows:

Change Unable XX  
Clean Unable XX  
Init. Unable XX  
Print Unable XX  
Scan Unable XX

We recommend transferring your faxes to another fax machine or to your PC. (See *Transferring faxes to another fax machine* on page 108 or *Transferring faxes to your PC* on page 109.)

You can also transfer the Fax Journal report to see if there are any faxes you need to transfer. (See *Transferring Fax Journal report to another fax machine* on page 109.)



### Note

If there is an error message on the machine's LCD, after the faxes have been transferred, disconnect the machine from the power source for several minutes, and then reconnect it.

## Transferring faxes to another fax machine

If you have not set up your Station ID, you cannot enter fax transfer mode.

- 1 Press **Menu**, **9**, **0**, **1**.
- 2 Do one of the following:
  - If the LCD shows `No Data`, there are no faxes left in the machine's memory.  
Press **Stop/Exit**.
  - If the LCD shows `Enter Fax No.`, enter the fax number to which faxes will be forwarded.
- 3 Press **Black Start**.

## Transferring faxes to your PC

You can transfer the faxes from your machine's memory to your PC.

- 1 Make sure you have installed **MFL-Pro Suite** on your PC, and then turn on **PC-FAX Receiving** on the PC. (For details, see *PC FAX Receiving* in the Software User's Guide on the CD-ROM.)
- 2 Make sure you have set PC Fax Receive on the machine. (See *PC Fax Receive* on page 56.)  
If faxes are in the machine's memory when you set up PC Fax Receive, the LCD will ask if you want to transfer the faxes to your PC.
- 3 Do one of the following:
  - To transfer all faxes to your PC, press **1**.
  - To exit and leave the faxes in the memory, press **2**.
- 4 Press **Stop/Exit**.

## Transferring Fax Journal report to another fax machine

If you have not set up your Station ID, you cannot enter fax transfer mode.

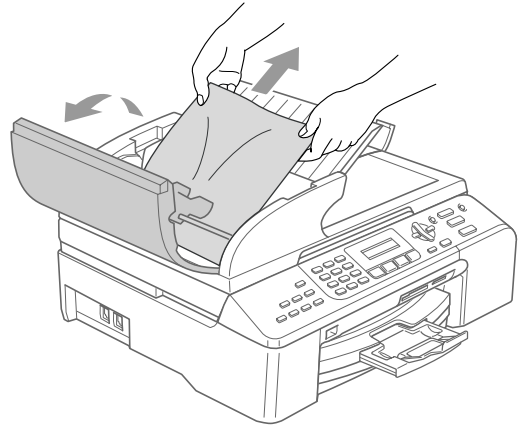
- 1 Press **Menu, 9, 0, 2**.
- 2 Enter the fax number to which Fax Journal report will be forwarded.
- 3 Press **Black Start**.

## Document jam

Documents can jam if they are not inserted or fed properly, or if they are too long. Follow the steps below to clear a document jam.

### Document is jammed in the top of the ADF unit

- 1 Take out any paper from the ADF that is not jammed.
- 2 Open the ADF cover.
- 3 Pull the jammed document out to the right or left.



- 4 Close the ADF cover.
- 5 Press **Stop/Exit**.

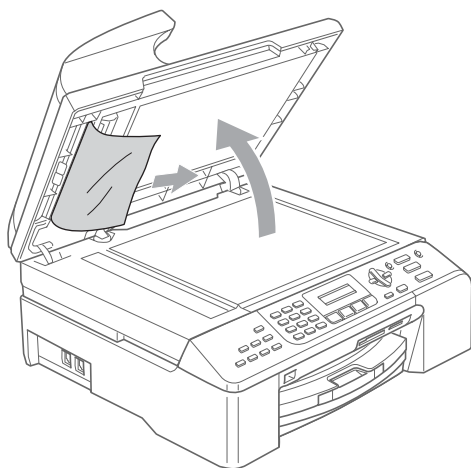


### Note

To avoid document jams close the ADF cover properly by pressing it down in the center.

## Document is jammed inside the ADF unit

- 1 Take out any paper from the ADF that is not jammed.
- 2 Lift the document cover.
- 3 Pull the jammed document out to the right.

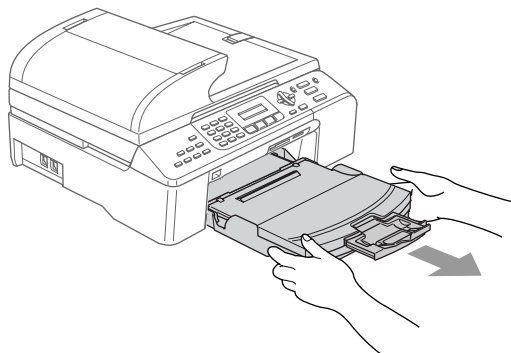


- 4 Close the document cover.
- 5 Press **Stop/Exit**.

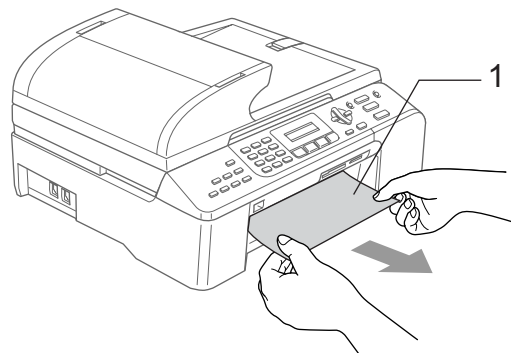
## Printer jam or paper jam

Take out the jammed paper depending on where it is jammed in the machine.

- 1 Pull the paper tray out of the machine.



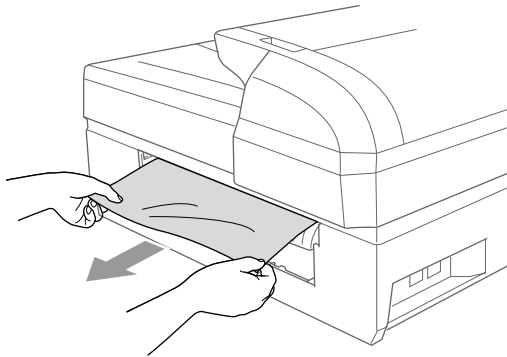
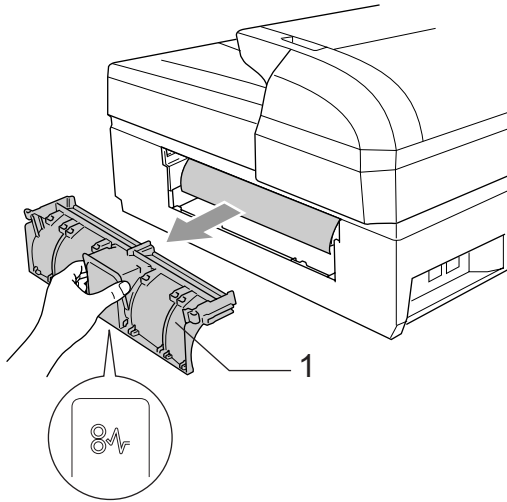
- 2 Pull out the jammed paper (1).



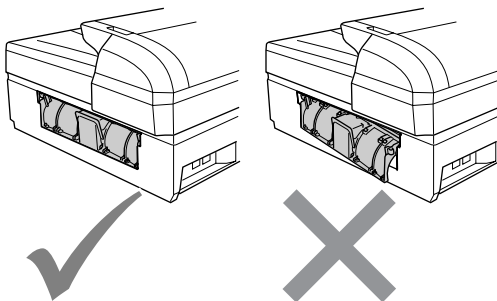
- 3 Reset the machine by lifting the scanner cover from the front of the machine and then closing it.

- If you cannot remove the jammed paper from the front of the machine, or the error message still appears on the LCD after you have removed the jammed paper, please go to the next step.

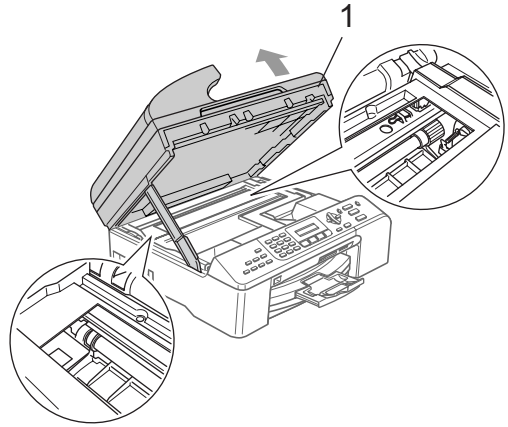
- 4 Remove the Jam Clear Cover (1) from the back of the machine. Pull the jammed paper out of the machine.



- 5 Put the Jam Clear Cover back on. Make sure the cover is set properly.



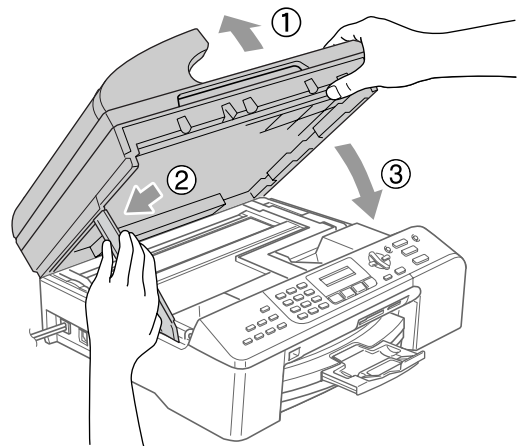
- 6 Lift the scanner cover (1) from the front side of the machine until it locks securely into the open position. Make sure that there is no jammed paper left in the corners of the machine.



 **Note**

If the paper is jammed under the print head, unplug the machine from the power source, and then move the print head to take out the paper.

- 7 Lift the scanner cover to release the lock (1). Gently push the scanner cover support down (2) and close the scanner cover (3).

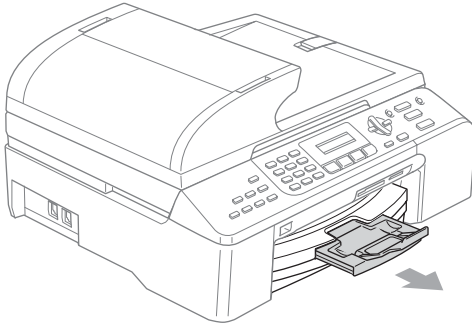


- 8 Push the paper tray firmly back into the machine.



### Note

Make sure that you pull out the paper support until it clicks.



---

## Dial Tone

Setting the dial tone to Detection will shorten the dial detect pause.

- 1 Press **Menu, 0, 5**.
- 2 Press **▲** or **▼** to choose **Detection** or **No Detection**. Press **OK**.
- 3 Press **Stop/Exit**.

---

## Phone line interference

If you are having problems sending or receiving a fax due to possible interference on the phone line, we recommend that you adjust the Equalization for compatibility to reduce the modem speed for fax operations.

- 1 Press **Menu, 2, 0, 2**.
- 2 Press **▲** or **▼** to choose **Normal**, **Basic** (or **High**).
  - **Basic** reduces the modem speed to 9600 bps. Unless interference is a recurring problem on your phone line, you may prefer to use it only when needed.
  - **Normal** sets the modem speed at 14400 bps.
  - **High** sets the modem speed at 33600 bps. (Default)

Press **OK**.

- 3 Press **Stop/Exit**.



### Note

When you change the compatibility to **Basic**, the ECM feature is only available for color fax sending.

---



# Routine maintenance

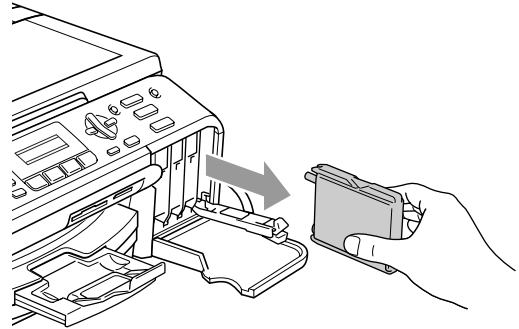
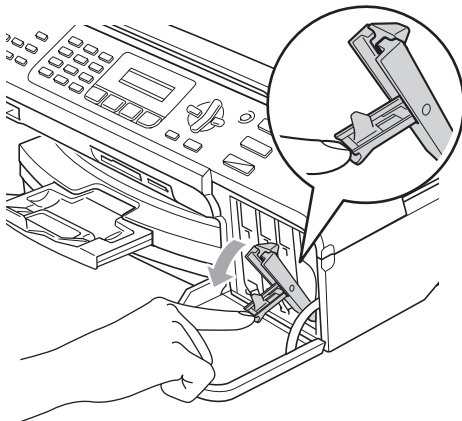
## Replacing the ink cartridges

Your machine is equipped with an ink dot counter. The ink dot counter automatically monitors the level of ink in each of the 4 cartridges. When the machine detects an ink cartridge is running out of ink, the machine will tell you with a message on the LCD.

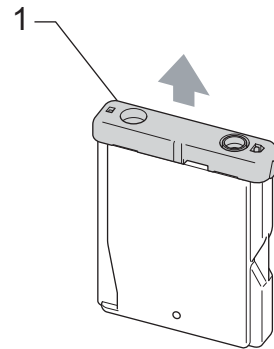
The LCD will tell you which ink cartridge is low or needs replacing. Be sure to follow the LCD prompts to replace the ink cartridges in the correct order.

Even though the machine tells you that an ink cartridge is empty, there will be a small amount of ink left in the ink cartridge. It is necessary to keep some ink in the ink cartridge to prevent air from drying out and damaging the print head assembly.

- 1 Open the ink cartridge cover. If one or more ink cartridges are empty, for example Black, the LCD shows Ink Empty Black and Replace Ink.
- 2 Pull the lock release lever down and take out the ink cartridge for the color shown on the LCD.

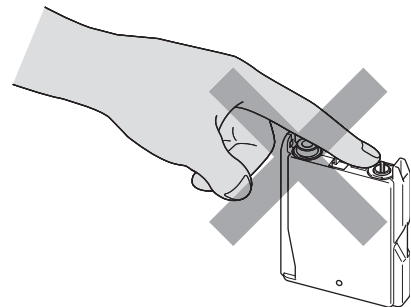


- 3 Open the new ink cartridge bag for the color shown on the LCD, and then take out the ink cartridge.
- 4 Remove the protective yellow cap (1).



### Improper Setup

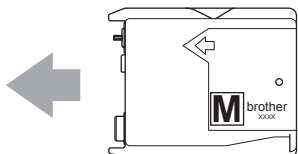
DO NOT touch the area shown in the illustration below.



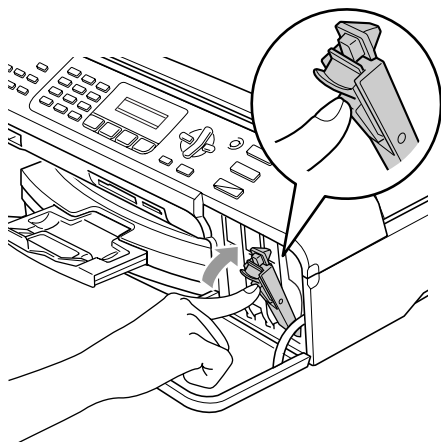
 **Note**

If the protective yellow caps come off when you open the bag, the cartridge will not be damaged.

- 5 Each color has its own correct position. Insert the ink cartridge in the direction of the arrow on the label.



- 6 Lift each lock release lever and push it until it clicks, and then close the ink cartridge cover.




- 7 If you replaced an ink cartridge, the LCD may ask you to verify that it was a brand new one. (For example, Did You Change Blck?) For each new cartridge you installed, press **1** (Yes) to automatically reset the ink dot counter for that color. If the ink cartridge you installed is not a brand new one, be sure to press **2** (No). If you wait until the LCD shows Near Empty and Ink Empty, the machine will automatically reset the ink dot counter.

 **Note**

If the LCD shows No Cartridge after you install the ink cartridges, check that the ink cartridges are installed properly.

 **WARNING**

If ink gets in your eyes, wash them out with water at once and call a doctor if you are concerned.

 **CAUTION**

DO NOT take out ink cartridges if you do not need to replace them. If you do so, it may reduce the ink quantity and the machine will not know the quantity of ink left in the cartridge.

DO NOT touch the cartridge insertion slots. If you do so, the ink may stain your skin.

If ink stains your skin or clothing, wash with soap or detergent at once.

If you mix the colors by installing an ink cartridge in the wrong position, clean the print head several times after correcting the cartridge installation.

Once you open an ink cartridge, install it in the machine and use it up within six months of installation. Use unopened ink cartridges by the expiration date written on the cartridge package.

DO NOT dismantle or tamper with the ink cartridge, this can cause the ink to leak out of the cartridge.

Brother strongly recommends that you do not refill the ink cartridges provided with your machine. We also strongly recommend that you continue to use only Genuine Brother Brand replacement ink cartridges. Use or attempted use of potentially incompatible ink and/or cartridges in the Brother machine may cause damage to the machine and/or may result in unsatisfactory print quality. Our warranty coverage does not apply to any problem that is caused by the use of unauthorized third party ink and/or cartridges. To protect your investment and obtain premium performance from the Brother machine, we strongly recommend the use of Genuine Brother Supplies.

## Cleaning the outside of the machine

### ! CAUTION

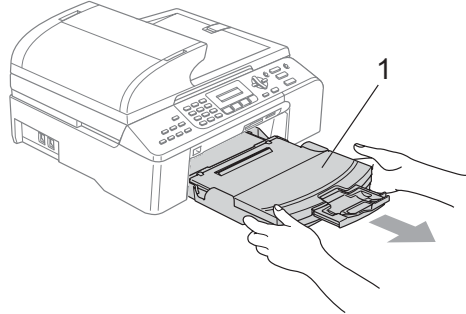
Use neutral detergents. Cleaning with volatile liquids such as thinner or benzene will damage the outside surface of the machine.

DO NOT use cleaning materials that contain ammonia.

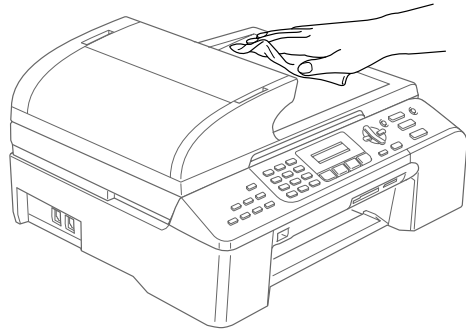
DO NOT use isopropyl alcohol to remove dirt from the control panel. It may crack the panel.

### Clean the outside of the machine as follows:

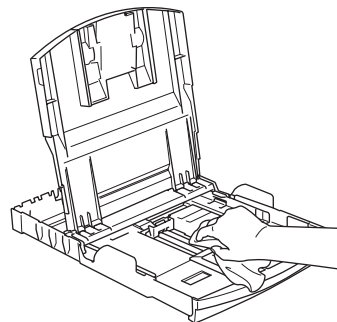
- 1 Pull the paper tray (1) completely out of the machine.



- 2 Wipe the outside of the machine with a soft cloth to remove dust.



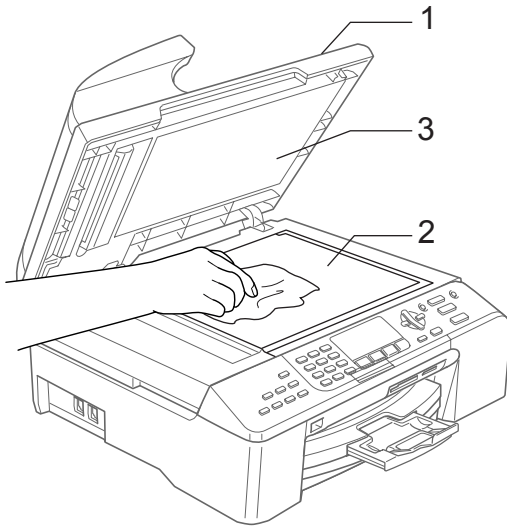
- 3 Remove anything that is stuck inside the paper tray.
- 4 Lift the output paper tray cover and wipe the inside and outside of the paper tray with a soft cloth to remove dust.



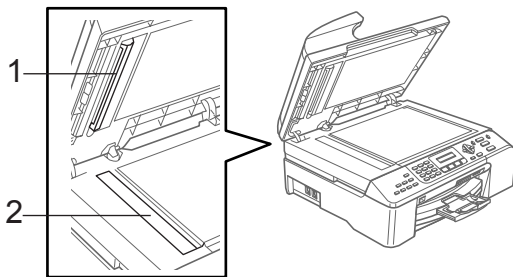
- 5 Close the output paper tray cover and put the paper tray firmly back in the machine.

## Cleaning the scanner

- 1 Lift the document cover (1). Clean the scanner glass (2) and the white plastic (3) with isopropyl alcohol on a soft lint-free cloth.



- 2 In the ADF unit, clean the white bar (1) and the glass strip (2) under it with isopropyl alcohol on a lint-free cloth.

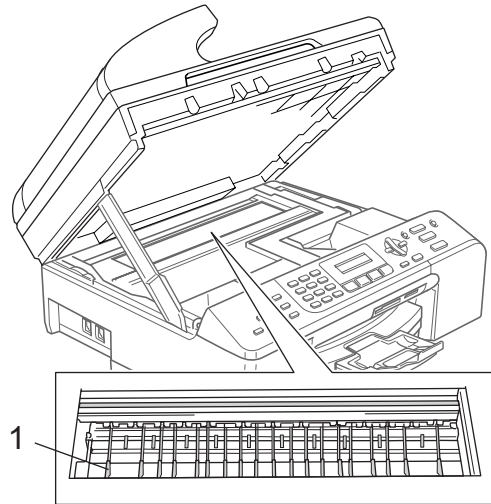


## Cleaning the machine printer platen

### WARNING

Unplug the machine from the AC power outlet before cleaning the printer platen (1).

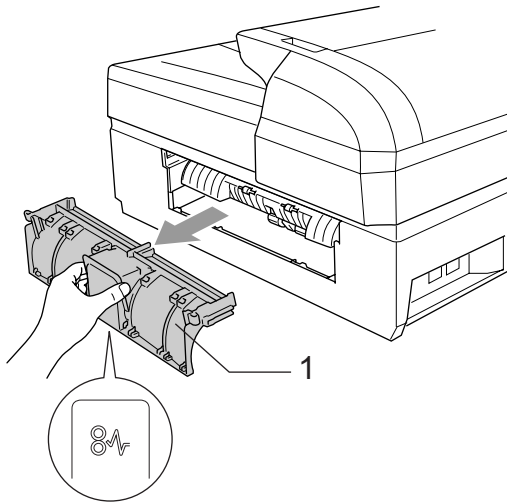
If ink is scattered on or around the printer platen, wipe it off with a soft, dry, lint-free cloth.



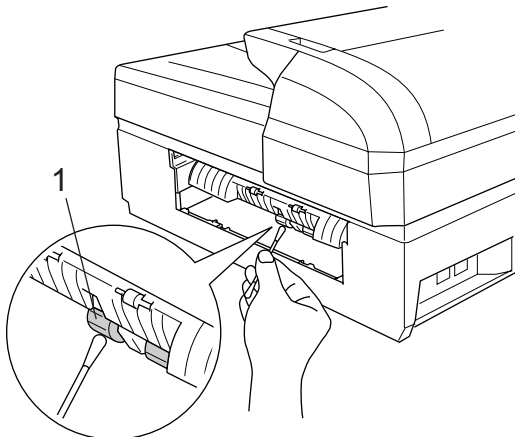
- 1 Clean the machine printer platen (1).

## Cleaning the paper pick-up roller

- 1 Pull the paper tray completely out of the machine.
- 2 Unplug the machine from the AC power outlet and remove the Jam Clear Cover (1).



- 3 Clean the Paper Pick-up Roller (1) with isopropyl alcohol on a cotton swab.



- 4 Re-insert the Jam Clear Cover.
- 5 Put the paper tray firmly back in the machine.
- 6 Re-connect the power cord.

## Cleaning the print head

To ensure the good print quality, the machine will regularly clean the print head. You can start the cleaning process manually if needed.

Clean the print head and ink cartridges if you get a horizontal line in the text or graphics on your printed pages. You can clean Black only (Yellow/Cyan/Magenta), or all four colors at once.

Cleaning the print head consumes ink. Cleaning too often uses ink unnecessarily.

### ! CAUTION

DO NOT touch the print head. Touching the print head may cause permanent damage and may void the print head's warranty.

- 1 Press **Ink**.
- 2 Press **▲** or **▼** to choose **Cleaning**. Press **OK**.
- 3 Press **▲** or **▼** to choose **Black**, **Color** or **All**. Press **OK**.  
The machine cleans the print head. When cleaning is finished, the machine will go back to standby mode automatically.

### Note

If you clean the print head at least five times and the print has not improved, call Brother Customer Service. (See *Brother numbers* on page i.)

## Checking the print quality

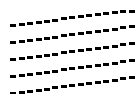
If faded or streaked colors and text appear on your output, some of the nozzles may be clogged. You can check this by printing the Print Quality Check Sheet and looking at the nozzle check pattern.

- 1 Press **Ink**.
- 2 Press **▲** or **▼** to choose **Test Print**. Press **OK**.
- 3 Press **▲** or **▼** to choose **Print Quality**. Press **OK**.
- 4 Press **Color Start**. The machine begins printing the Print Quality Check Sheet.
- 5 Check the quality of the four color blocks on the sheet.

```
Is Quality OK?  
1.Yes 2.No
```

- 6 Do one of the following:
  - If all lines are clear and visible, press **1** to choose **Yes**, and go to step **10**.
  - If you can see missing short lines as shown below, press **2** to choose **No**.

OK



Poor



- 7 The LCD asks you if the print quality is OK for black and three colors.

```
Black OK?  
1.Yes 2.No
```

Press **1** (Yes) or **2** (No).

- 8 The LCD asks you if you want to start cleaning.

```
Start Cleaning?  
1.Yes 2.No
```

Press **1** (Yes).

The machine starts cleaning the print head.

- 9 After cleaning is finished, press **Color Start**. The machine starts printing the Print Quality Check Sheet again and then returns to step **5**.

- 10 Press **Stop/Exit**. If you repeat this procedure at least five times and the print quality is still poor, replace the ink cartridge for the clogged color.

After replacing the ink cartridge, check the print quality. If the problem still exists, repeat the cleaning and test print procedures at least five times for the new ink cartridge. If ink is still missing, call Brother Customer Service. (See *Brother numbers* on page i.)

### ! CAUTION

DO NOT touch the print head. Touching the print head may cause permanent damage and may void the print head's warranty.

### Note



When a print head nozzle is clogged the printed sample looks like this.



After the print head nozzle is cleaned, the horizontal lines are gone.

## Checking the printing alignment

You may need to adjust the printing alignment after transporting the machine if your printed text becomes blurred or images become faded.

- 1 Press **Ink**.
- 2 Press **▲** or **▼** to choose **Test Print**. Press **OK**.
- 3 Press **▲** or **▼** to choose **Alignment**. Press **OK**.
- 4 Press **Black Start** or **Color Start**. The machine starts printing the Alignment Check Sheet.

```
Is Alignment OK?
1.Yes 2.No
```

- 5 Check the 600 dpi and 1200 dpi test prints to see if number 5 most closely matches number 0.
  - If the number 5 sample of both the 600 dpi and 1200 dpi are the best matches, press **1** (**Yes**) to finish Alignment Check, and go to step 6.
  - If another test print number is a better match for either 600 dpi or 1200 dpi, press **2** (**No**) to choose it.
- 6 For 600 dpi, press the number of the test print that most closely matches the number 0 sample (1-8).

```
600dpi Adjust
Select Best #5
```

- 7 For 1200 dpi, press the number of the test print that most closely matches the number 0 sample (1-8).

```
1200dpi Adjust
Select Best #5
```

- 8 Press **Stop/Exit**.

## Checking the ink volume

You can check the ink that is left in the cartridge.

- 1 Press **Ink**.
- 2 Press **▲** or **▼** to choose **Ink Volume**. Press **OK**.
- 3 Press **▲** or **▼** to choose the color you want to check. The LCD shows the ink volume.
- 4 Press **Stop/Exit**.

```
Ink Volume
BK: -□□□■□□□+ ▾
```



### Note

You can check the ink volume from your computer. (See *Printing for Windows*<sup>®</sup> or *Printing and Fax for Macintosh*<sup>®</sup> in the Software User's Guide on the CD-ROM.)

## Machine Information

### Checking the serial number

You can see the machine's serial number on the LCD.

- 1 Press **Menu**, **7**, **1**.

```
Machine Info.  
1.Serial No.
```

- 2 Press **OK**.

```
Serial No.  
XXXXXXXXXX
```

- 3 Press **Stop/Exit**.

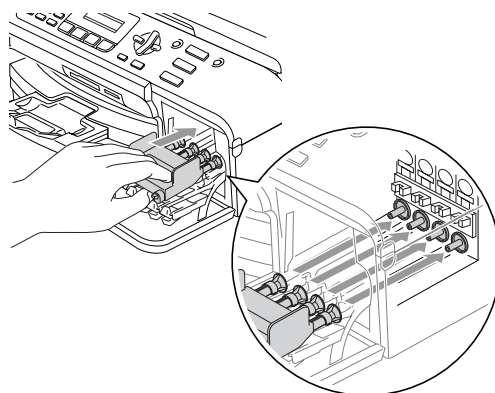
## Packing and shipping the machine

When you transport the machine, use the packing materials that came with your machine. If you do not pack the machine properly, you could void your warranty.

### ! CAUTION

It is important to allow the machine to 'park' the print head after a print job. Listen carefully to the machine before unplugging it to make sure that all mechanical noise has stopped. Not allowing the machine to finish this parking process may lead to print problems and possible damage to the print head.

- 1 Open the ink cartridge cover.
- 2 Pull the lock release levers down and take out all the ink cartridges. (See *Replacing the ink cartridges* on page 113.)
- 3 Install the yellow protective part, lift each lock release levers and push it until it clicks, and then close the ink cartridge cover.

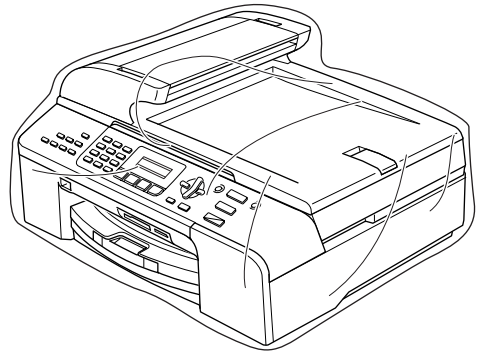
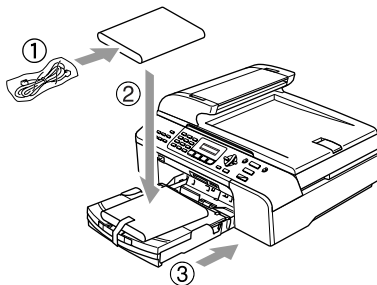




**! CAUTION**

If you are not able to find the yellow protective parts, DO NOT remove the ink cartridges before shipping. It is essential that the machine be shipped with either the yellow protective parts or the ink cartridges in position. Shipping without them will cause damage to your machine and may void your warranty.

- 4 Unplug the machine from the telephone wall jack and take the telephone line cord out of the machine.
- 5 Unplug the machine from the AC power outlet.
- 6 Lift the scanner cover from the front side of the machine until it lock securely into the open position. Then unplug the interface cable from the machine, if it is connected.
- 7 Lift the scanner cover to release the lock. Gently push the scanner cover support down and close the scanner cover.
- 8 Wrap the machine in the bag and put it in the original carton with the original packing material.

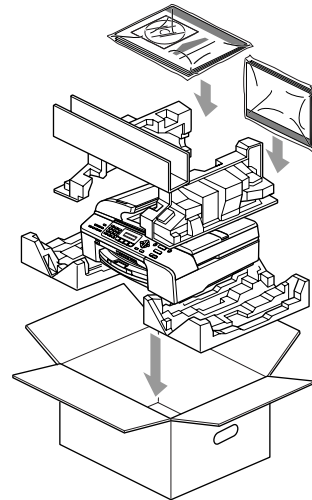


- 9 Pack the printed materials in the original carton as shown below. Do not pack the used ink cartridges in the carton.



**Note**

If you are returning your machine to Brother as part of the Exchange Service, pack *only* the machine. Keep all separate parts and printed materials to use with your 'Exchange' machine.



- 10 Close the carton and tape it shut.

## On-screen programming

Your machine is designed to be easy to use with LCD on-screen programming using the menu keys. User-friendly programming helps you take full advantage of all the menu selections your machine has to offer.

Since your programming is done on the LCD, we have created step-by-step on-screen instructions to help you program your machine. All you need to do is follow the instructions as they guide you through the menu selections and programming options.

### Menu table

You can program your machine without the User's Guide by using the Menu table that begins on page 124. These pages list the menu selections and options.

Press **Menu** followed by the menu numbers to program your machine.

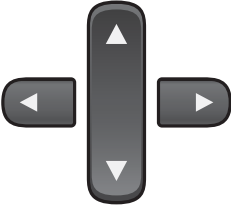

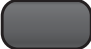




For example, to set beeper volume to **Low**.

- 1 Press **Menu**, **1**, **4**, **2**.
- 2 Press **▲** or **▼** to choose **Low**.
- 3 Press **OK**.

## Memory storage

Even if there is a power failure, you will not lose your menu settings because they are stored permanently. Temporary settings (such as Contrast, Overseas mode, and so on) will be lost. You may have to reset the date and time.

## Menu keys

	
Menu 	Access the menu.
OK 	Go to the next menu level. Accept an option.
Clear / Back 	Go back to the previous menu level. Delete an incorrect letter when you need to enter text into the machine.
	Scroll through the current menu level.
	Go back to the previous menu level.
Stop / Exit 	Exit the menu.

To access the menu mode:

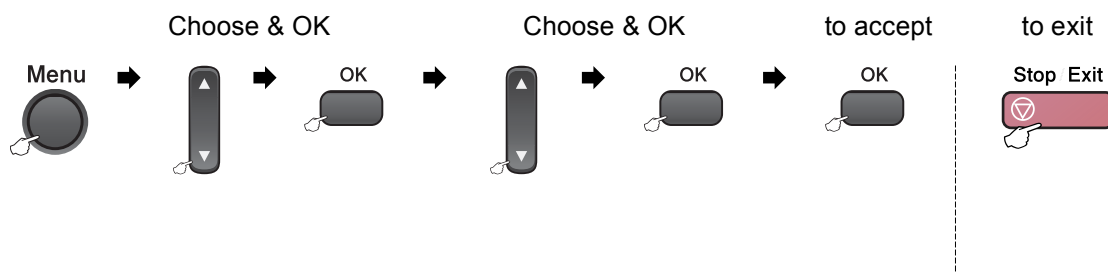
- 1 Press **Menu**.
- 2 Choose an option.
  - Press **1** for General Setup menu.
  - Press **2** for Fax menu.
  - Press **3** for Copy menu.
  - ⋮
  - Press **0** for Initial Setup menu.

You can scroll more quickly through each menu level by pressing **▲** or **▼** for the direction you want.

- 3 Press **OK** when that option appears on the LCD.  
The LCD will then show the next menu level.
- 4 Press **▲** or **▼** to scroll to your next menu selection.
- 5 Press **OK**.  
When you finish setting an option, the LCD shows *Accepted*.

# Menu Table

The menu table will help you understand the menu selections and options that are found in the machine's programs. The factory settings are shown in Bold with an asterisk.



Main Menu	Submenu	Menu Selections	Options	Descriptions	Page
1. General Setup	1. Mode Timer	—	0 Sec 30 Secs 1 Min <b>2 Mins*</b> 5 Mins Off	Sets the time to return to Fax mode.	23
	2. Paper Type	—	<b>Plain Paper*</b> Inkjet Paper Brother Photo Other Photo Transparency	Sets the type of paper in the paper tray.	23
	3. Paper Size (MFC-5460CN only)	—	<b>Letter*</b> Legal A4 A5 4"x6"	Sets the size of the paper in the paper tray.	24
	3. Paper Size (MFC-5860CN only)	1. Tray#1	<b>Letter*</b> Legal A4 A5 4"x6"	Sets the size of paper in tray#1.	24
		2. Tray#2	<b>Letter*</b> Legal A4	Sets the size of paper in tray#2.	24

Main Menu	Submenu	Menu Selections	Options	Descriptions	Page
1. General Setup (Continued)	4. Volume	1. Ring	Off Low <b>Med*</b> High	Adjusts the ring volume.	25
		2. Beeper	Off <b>Low*</b> Med High	Adjusts the volume level of the beeper.	25
		3. Speaker	Off Low <b>Med*</b> High	Adjusts the speaker volume.	26
	5. Auto Daylight	—	On <b>Off*</b>	Changes for Daylight Savings Time automatically.	26
	6. On/Off Setting	—	Fax Receive:On <b>Fax Receive:Off*</b>	Customizes the <b>On/Off</b> key to receive faxes even in off mode.	22
	7. LCD Contrast	—	<b>Light*</b> Dark	Adjusts the contrast of the LCD.	26
	8. Tray Use:Copy (MFC-5860CN only)	—	Tray#1 Only Tray#2 Only <b>Auto Select*</b>	Choose the tray that will be used for Copy mode.	25
9. Tray Use:Fax (MFC-5860CN only)	—	Tray#1 Only Tray#2 Only <b>Auto Select*</b>	Choose the tray that will be used for Fax mode.	24	
2. Fax	1. Setup Receive (In Fax mode only)	1. Ring Delay	00 01 02 03 <b>04*</b>	Sets the number of rings before the machine answers in Fax Only or Fax/Tel mode.	38
		2. F/T Ring Time	<b>20 Secs*</b> 30 Secs 40 Secs 70 Secs	Sets the pseudo/double-ring time in Fax/Tel mode.	39
		3. Easy Receive	<b>On*</b> Off	Receives fax messages without pressing <b>Black Start</b> or <b>Color Start</b> .	39

Main Menu	Submenu	Menu Selections	Options	Descriptions	Page
2. Fax (Continued)	1. Setup Receive (In Fax mode only) (Continued)	4. Remote Codes	On* (✕51, #51)  Off	Allows you to answer all calls at an extension or external phone and use codes to turn the machine on or off. You can personalize these codes.	49
		5. Auto Reduction	On*  Off	Cuts the size of incoming faxes.	40
		6. Polling RX	—	Sets up your machine to poll another fax machine.	63
	2. Setup Send (In Fax mode only)	1. Contrast	Auto*  Light  Dark	Changes the lightness or darkness of faxes you send.	33
		2. Fax Resolution	Standard*  Fine  S. Fine  Photo	Sets the default resolution for outgoing faxes.	33
		3. Delayed Fax	—	Set the time of day in 24 hour format that the delayed faxes will be sent.	35
		4. Batch TX	On  Off*	Combines delayed faxes to the same fax number at the same time of day into one transmission.	35
		5. Real Time TX	Next Fax Only  On  Off*	Sends a fax without using the memory.	34
		6. Polled TX	On  Off*	Sets up your machine with a document to be retrieved by another fax machine.	64
		7. Overseas Mode	On  Off*	If you are having problems sending faxes overseas, set this to on.	34
		0. Scan Size	A4  Letter*	Adjusts the scan area of the scanner glass to the size of the document.	31
	3. Set Quick-Dial	1. Speed-Dial	—	Stores Speed-Dial numbers, so you can dial by pressing only a few keys (and <b>Start</b> ).	51
		2. Setup Groups	—	Sets up a Group number for Broadcasting.	52

Main Menu	Submenu	Menu Selections	Options	Descriptions	Page	
2. Fax (Continued)	4. Report Setting (Continued)	1. Transmission	On On+Image <b>Off*</b> Off+Image	Sets initial setup for Transmission Verification Report and Fax Journal.	61	
		2. Journal Period	Off <b>Every 50 Faxes*</b> Every 6 Hours Every 12 Hours Every 24 Hours Every 2 Days Every 7 Days		61	
	5. Remote Fax Opt	1. Fwd/Page/Store	<b>Off*</b> Fax Forward Paging Fax Storage PC Fax Receive	Sets the machine to forward fax messages, to call your pager, to store incoming faxes in the memory (so you can retrieve them while you are away from your machine), or to send faxes to your PC.	54	
		2. Remote Access	—✱	You must set your own code for Remote Retrieval.	58	
		3. Print Fax (Backup Print)	—	Prints incoming faxes stored in the memory.	40	
	6. Remaining Jobs	—	—	Checks which jobs are in the memory and lets you cancel chosen jobs.	35	
	0. Miscellaneous	1. TX Lock	—	—	Stops unauthorized users from changing the machine's current settings.	27
		2. Compatibility	<b>High*</b> Normal Basic	—	Adjusts the equalization for transmission problems.	112
		3. Distinctive	<b>Off*</b> Set (On)	—	Uses the Telephone Company's Distinctive Ring subscriber service to register the ring pattern with the machine.	42
		4. Caller ID	Display# Print Report	—	View or print a list of the last 30 Caller IDs stored in the memory.	44

Main Menu	Submenu	Menu Selections	Options	Descriptions	Page	
3.Copy	1.Quality	—	Best Fast <b>Normal*</b>	Chooses the Copy resolution for your type of document.	67	
	2.Brightness	—	-□□□□■+ -□□□■□+ -□□■□□+* -□■□□□+ -■□□□□+	Adjusts the brightness for copies.	71	
	3.Contrast	—	-□□□□■+ -□□□■□+ -□□■□□+* -□■□□□+ -■□□□□+	Adjusts the contrast for copies.	71	
	4.Color Adjust	1.Red		R:-□□□□■+ R:-□□□■□+ <b>R:-□□■□□+*</b> R:-□■□□□+ R:-■□□□□+	Adjusts the amount of Red in copies.	71
		2.Green		G:-□□□□■+ G:-□□□■□+ <b>G:-□□■□□+*</b> G:-□■□□□+ G:-■□□□□+	Adjusts the amount of Green in copies.	
		3.Blue		B:-□□□□■+ B:-□□□■□+ <b>B:-□□■□□+*</b> B:-□■□□□+ B:-■□□□□+	Adjusts the amount of Blue in copies.	
	4.PhotoCapture	1.Print Quality	—	Normal <b>Photo*</b>	Chooses the print quality.	79
2.Paper Type		—	Plain Paper Inkjet Paper Brother Photo <b>Other Photo*</b>	Chooses the paper type.	79	
3.Paper Size		—	Letter A4 <b>4"x6"*</b> 5"x7"	Chooses the paper size.	79	



Main Menu	Submenu	Menu Selections	Options	Descriptions	Page	
4. PhotoCapture (Continued)	4. Brightness	—	- □□□□■ + - □□□■□ + - □□■□□ +* - □■□□□ + - ■□□□□ +	Adjusts the brightness.	79	
	5. Contrast	—	- □□□□■ + - □□□■□ + - □□■□□ +* - □■□□□ + - ■□□□□ +	Adjusts the contrast.	79	
	6. True2Life	On Off*	1. White Balance	- □□□□■ + - □□□■□ + - □□■□□ +* - □■□□□ + - ■□□□□ +	Adjusts the hue of the white areas.	79
			2. Sharpness	- □□□□■ + - □□□■□ + - □□■□□ +* - □■□□□ + - ■□□□□ +	Enhances the detail of the image.	
			3. Color Density	- □□□□■ + - □□□■□ + - □□■□□ +* - □■□□□ + - ■□□□□ +	Adjusts the total amount of color in the image.	
	7. Cropping	—	On* Off	Crops the image around the margin to fit the paper size or print size. Turn this feature off if you want to print whole images or prevent unwanted cropping.	80	
	8. Borderless	—	On* Off	Expands the printable area to fit the edges of the paper.	80	

Main Menu	Submenu	Menu Selections	Options	Descriptions	Page
4. PhotoCapture (Continued)	9. Scan to Card	1. Quality	B/W 200x100 dpi B/W 200 dpi Color 150 dpi* Color 300 dpi Color 600 dpi	Chooses the Scan resolution for your type of document.	81
		2. B/W File Type	TIFF* PDF	Chooses the default file format for black and white scanning.	81
		3. ColorFile Type	PDF* JPEG	Chooses the default file format for color scanning.	82
5. LAN	1. Setup TCP/IP	1. BOOT Method	Auto* Static RARP BOOTP DHCP	You can choose the BOOT method that best suits you needs.	See Network User's Guide
		2. IP Address	[000-255]. [000-255]. [000-255]. [000-255]	Enter the IP address.	
		3. Subnet Mask	[000-255]. [000-255]. [000-255]. [000-255]	Enter the subnet mask.	
		4. Gateway	[000-255]. [000-255]. [000-255]. [000-255]	Enter the Gateway address.	
		5. Node Name	BRN_XXXXXX	Enter the Node name.	
		6. WINS Config	Auto* Static.	You can choose the WINS configuration mode.	
		7. WINS Server	(Primary) 000.000.000.000 (Secondary) 000.000.000.000	Specifies the IP address of the primary or secondary server.	
		8. DNS Server	(Primary) 000.000.000.000 (Secondary) 000.000.000.000	Specifies the IP address of the primary or secondary server.	
		9. APIPA	On* Off	Automatically allocates the IP address from the link-local address range.	

Main Menu	Submenu	Menu Selections	Options	Descriptions	Page
5. LAN (Continued)	2. Setup Misc.	1. Ethernet	Auto* 100B-FD 100B-HD 10B-FD 10B-HD	Chooses Ethernet link mode.	See Network User's Guide
	0. Factory Reset	—	—	Restore all network settings to factory default.	
6. Print Reports	1. Transmission	—	—	Prints a Transmission Verification Report for your last transmission.	62
	2. Help List	—	—	Prints the Help List so you can see at-a-glance how to quickly program your machine.	62
	3. Quick-Dial	—	—	Lists name and numbers stored in the One-Touch and Speed-Dial memory, in numerical order.	62
	4. Fax Journal	—	—	Lists information about the last incoming and outgoing faxes. (TX means Transmit.) (RX means Receive.)	62
	5. User Settings	—	—	Lists your settings.	62
	6. Network Config	—	—	Lists your settings.	62
7. Machine Info.	1. Serial No.	—	—	Lets you check the serial number of your machine.	120
0. Initial Setup	1. Receive Mode	—	Fax Only* Fax/Tel External TAD Manual	Choose the receive mode that best suits your needs.	38
	2. Date/Time	—	—	Puts the date and time on the LCD and in headings of faxes you send.	See Quick Setup Guide
	3. Station ID	—	Fax: Name:	Set your name and fax number to appear on each page you fax.	
	4. Tone/Pulse (Canada only)	—	Tone* Pulse	Choose the dialing mode.	
	5. Dial Tone	—	Detection No Detection*	You can shorten the dial tone detect pause.	112
	0. Local Language (Canada only)	—	English* French	Allows you to change the LCD language for your country.	See Quick Setup Guide

## Entering Text

When you are setting certain menu selections, such as the Station ID, you may need to enter text into the machine. Most dial pad keys have three or four letters printed on keys. The keys for **0**, **#** and **\***  do not have printed letters because they are used for special characters.

By pressing the proper dial pad key repeatedly, you can access the character you want.

Press Key	one time	two times	three times	four times
2	A	B	C	2
3	D	E	F	3
4	G	H	I	4
5	J	K	L	5
6	M	N	O	6
7	P	Q	R	S
8	T	U	V	8
9	W	X	Y	Z

### Putting spaces

To enter a space in a fax number, press ► once between numbers. To enter a space in a name, press ► twice between characters.

### Making corrections

If you entered an incorrect letter and want to change it, press ◀ to move the cursor under the incorrect character. Then press **Clear/Back**. Re-enter the correct character. You can also back up and insert letters.

### Repeating letters

If you need to enter a letter that is on the same key as the letter before, press ► to move the cursor to the right before you press the key again.

## Special characters and symbols

Press **\***, **#** or **0**, and then press ◀ or ► to move the cursor under the special character or symbol you want. Then press **OK** to choose it.

Press **\*** for (space)! " # \$ % & ' ( ) \*  
+ , - . / €

Press **#** for ; : < = > ? @ [ ] ^ \_

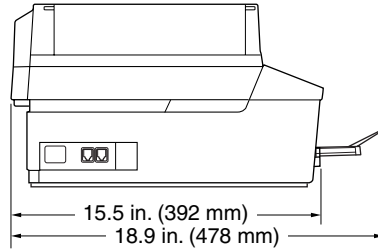
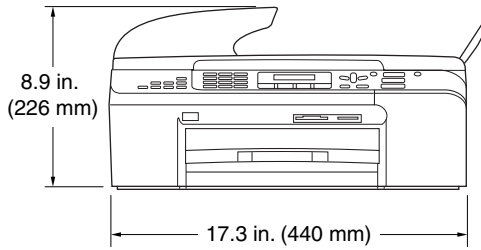
Press **0** for É À È Ê Î Ç Ë Ö 0

## General

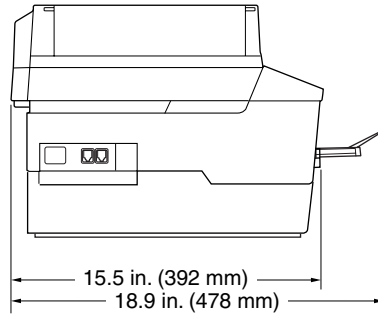
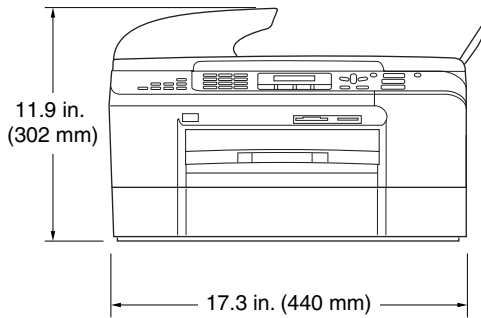
<b>Memory Capacity</b>	32 MB
<b>ADF (automatic document feeder)</b>	Up to 35 pages Temperature: 68° F - 86° F (20° C - 30° C) Humidity: 50% - 70% Paper: [20 lb (80 g/m <sup>2</sup> )] Letter size
<b>Paper Tray</b>	100 Sheets [20 lb (80 g/m <sup>2</sup> )]
<b>Paper Tray#2 (MFC-5860CN only)</b>	250 Sheets [20 lb (80 g/m <sup>2</sup> )]
<b>Printer Type</b>	Ink Jet
<b>Print Method</b>	Black: Piezo with 94 × 1 nozzles Color: Piezo with 94 × 3 nozzles
<b>LCD (liquid crystal display)</b>	16 characters × 2 lines, Back light
<b>Power Source</b>	AC 100 to 120V 50/60Hz
<b>Power Consumption</b>	Off Mode: Average 4 W Standby: Average 6 W Operating: Average 29 W

## Dimensions

(MFC-5460CN)



(MFC-5860CN)



**Weight** 19.6 lb (8.9kg) (MFC-5460CN)

23.4 lb (10.6kg) (MFC-5860CN)

**Noise** Operating: 50 dB or less <sup>1</sup>

**Temperature** Operating: 50° F to 95° F (10 to 35° C)

Best Print Quality: 68° F to 91° F (20 to 33° C)

**Humidity** Operating: 20 to 80% (without condensation)

Best Print Quality: 20 to 80% (without condensation)

<sup>1</sup> This depends on printing conditions.

# Print media

## Paper Input

### Paper Tray

- Paper type:

Plain paper, inkjet paper (coated paper), glossy paper<sup>2</sup>, transparencies<sup>1 2</sup> and envelopes

- Paper size:

Letter, Legal, Executive, A4, A5, A6, JIS B5, envelopes (commercial No.10, DL, C5, Monarch, JE4), Photo 4"×6", Index card and Post card<sup>3</sup>.

For more details, see *Paper weight, thickness and capacity* on page 15.

- Maximum paper tray capacity: Approx. 100 sheets of 20 lb (80 g/m<sup>2</sup>) plain paper

### Paper Tray#2 (MFC-5860CN only)

- Paper type:

Plain paper

- Paper size:

Letter, Legal, Executive, A4, JIS\_B5

- Maximum paper tray capacity: Approx. 250 sheets of 20 lb (80 g/m<sup>2</sup>) plain paper

## Paper Output

Up to 50 sheets of 20 lb (80 g/m<sup>2</sup>) plain paper (face up print delivery to the output paper tray)<sup>2</sup>

<sup>1</sup> Use only transparencies recommended for inkjet printing.

<sup>2</sup> For glossy paper or transparencies, we recommend removing printed pages from the output paper tray immediately after they exit the machine to avoid smudging.

<sup>3</sup> See *Paper type and size for each operation* on page 14.

# Fax

<b>Compatibility</b>	ITU-T Group 3
<b>Coding System</b>	MH/MR/MMR/JPEG
<b>Modem Speed</b>	Automatic Fallback 33,600 bps
<b>Document Size</b>	ADF Width: 5.8 in. to 8.5 in. (148 mm to 215.9 mm) ADF Height: 5.8 in. to 14 in. (148 mm to 355.6 mm) Scanner Glass Width: Max. 8.5 in. (215.9 mm) Scanner Glass Height: Max. 11.7 in. (297 mm)
<b>Scanning Width</b>	8.2 in. (208 mm)
<b>Printing Width</b>	8.03 in. (204 mm)
<b>Gray Scale</b>	256 levels
<b>Polling Types</b>	Standard, Sequential: (Black only)
<b>Contrast Control</b>	Automatic/Light/Dark (manual setting)
<b>Resolution</b>	■ Horizontal 203 dot/in. (8 dot/mm) ■ Vertical Standard 98 line/in. (3.85 line/mm) (Black) 196 line/in. (7.7 line/mm) (Color) Fine 196 line/in. (7.7 line/mm) (Black/Color) Photo 196 line/in. (7.7 line/mm) (Black) Superfine 392 line/in. (15.4 line/mm) (Black)
<b>Speed-Dial</b>	100 stations
<b>Broadcasting</b>	150 stations
<b>Automatic Redial</b>	1 time after 5 minutes
<b>Auto Answer</b>	0, 1, 2, 3 or 4 rings
<b>Communication Source</b>	Public switched telephone network.
<b>Memory Transmission</b>	Up to 480 $\frac{1}{400}^2$ pages
<b>Out of Paper Reception</b>	Up to 480 $\frac{1}{400}^2$ pages

<sup>1</sup> 'Pages' refers to the 'Brother Standard Chart No. 1' (a typical business letter, Standard resolution, MMR code). Specifications and printed materials are subject to change without prior notice.

<sup>2</sup> 'Pages' refers to the 'ITU-T Test Chart #1' (a typical business letter, Standard resolution, MMR code). Specifications and printed materials are subject to change without prior notice.



# Copy

<b>Color/Black</b>	Yes/Yes
<b>Document Size</b>	ADF Width: 5.8 in. to 8.5 in. (148 mm to 215.9 mm) ADF Height: 5.8 in. to 14 in. (148 mm to 355.6 mm) Scanner Glass Width: Max. 8.5 in. (215.9 mm) Scanner Glass Height: Max. 11.7 in. (297 mm)
<b>Copy Speed</b>	Black: Up to 22 pages/minute (Letter paper) <sup>1</sup> Color: Up to 20 pages/minute (Letter paper) <sup>1</sup>
<b>Multiple Copies</b>	Stacks up to 99 pages Sorts up to 99 pages
<b>Enlarge/Reduce</b>	25% to 400% (in increments of 1%)
<b>Resolution</b>	Plain, inkjet, glossy paper or OHP/Transparency: <ul style="list-style-type: none"> <li>■ Scans up to 1200×1200 dpi</li> <li>■ Prints up to 1200×1200 dpi</li> </ul>

<sup>1</sup> Based on Brother standard pattern. (Fast mode/Stack Copy) Copy speeds vary with the complexity of the document.

# PhotoCapture Center<sup>®</sup>

<b>Available Media</b>	CompactFlash <sup>®</sup> Version 1.0 (Type I only) (Microdrive <sup>™</sup> is not compatible) (Compact I/O card such as Compact LAN card and Compact Modem card are not supported.) Memory Stick <sup>®</sup> Memory Stick Pro <sup>™</sup> (Not available for music data with MagicGate <sup>™</sup> ) MultiMediaCard <sup>™</sup> Secure Digital <sup>™</sup> xD-Picture Card <sup>™</sup> <sup>1</sup>
------------------------	--

<b>File Extension</b> (Media Format) (Image Format)	DPOF, EXIF, DCF Photo Print: JPEG <sup>2</sup> Scan to Card: JPEG, PDF (Color) TIFF, PDF (Black)
---	---

<b>Color Enhancement</b>	True2Life
<b>Number of Files</b>	Up to 999 files in the media card (including the folder inside media)
<b>Folder</b>	File must be in the 3rd folder level of the Media Card.
<b>Borderless</b>	Letter, A4, Photo 4" × 6", Photo 5" × 7" <sup>3</sup>

<sup>1</sup> xD-Picture Card<sup>™</sup> Conventional Card from 16MB to 512MB  
xD-Picture Card<sup>™</sup> Type M from 256MB to 1GB  
xD-Picture Card<sup>™</sup> Type H from 256MB to 1GB

<sup>2</sup> Progressive JPEG format is not supported.

<sup>3</sup> See *Paper type and size for each operation* on page 14.

## PictBridge

<b>Compatibility</b>	Supports the Camera & Imaging Products Association PictBridge standard CIPA DC-001. Visit <a href="http://www.cipa.jp/pictbridge">http://www.cipa.jp/pictbridge</a> for more information.
<b>Interface</b>	PictBridge (USB) Port

# Scanner

<b>Color/Black</b>	Yes/Yes
<b>TWAIN Compliant</b>	Yes (Windows® 98/98SE/Me/2000 Professional/XP/ Windows® XP Professional x64 Edition)  Mac OS® X 10.2.4 or greater
<b>WIA Compliant</b>	Yes (Windows® XP <sup>1</sup> )
<b>Color Depth</b>	48 bit color Processing (Input) 24 bit color Processing (Output)
<b>Resolution</b>	Up to 19200 × 19200 dpi (interpolated) <sup>2</sup> Up to 1200 × 2400 dpi (optical)
<b>Scanning Speed</b>	Color: up to 4.55 sec. Black: up to 3.35 sec. (Letter size in 100 × 100 dpi)
<b>Document Size</b>	ADF Width: 5.8 in. to 8.5 in. (148 mm to 215.9 mm) ADF Height: 5.8 in. to 14 in. (148 mm to 355.6 mm) Scanner Glass Width: Max. 8.5 in. (215.9 mm) Scanner Glass Height: Max. 11.7 in. (297 mm)
<b>Scanning Width</b>	8.26 in. (210 mm)
<b>Gray Scale</b>	256 levels

<sup>1</sup> Windows® XP in this User's Guide includes Windows® XP Home Edition, Windows® XP Professional, and Windows® XP Professional x64 Edition.

<sup>2</sup> Maximum 1200 × 1200 dpi scanning when using the WIA Driver for Windows® XP (resolution up to 19200 × 19200 dpi can be chosen by using the Brother scanner utility)

# Printer

<b>Printer Driver</b>	Windows® 98/98SE/Me/2000 Professional/ XP/Windows® XP Professional x64 Edition driver supporting Brother Native Compression mode and bi-directional capability Brother Ink Driver For Mac OS® X 10.2.4 or greater
<b>Resolution</b>	Up to 1200 × 6000 dpi <sup>1</sup> 1200 × 2400 dpi 1200 × 1200 dpi 600 × 600 dpi 600 × 300 dpi 600 × 150 dpi
<b>Print Speed</b>	Up to 30 pages/minute (Black) <sup>2</sup> Up to 25 pages/minute (Color) <sup>2</sup>
<b>Printing Width</b>	8.03 in. (8.5 in. <sup>3</sup> )
<b>Disk-Based Fonts</b>	35 TrueType
<b>Borderless</b>	Letter, A4, A6, Photo 4"×6", Index Card, Post Card <sup>4</sup>

<sup>1</sup> Output image quality varies based on many factors including, but not limited to input image resolution and quality and print media.

<sup>2</sup> Based on Brother standard pattern.  
Letter size in draft mode.

<sup>3</sup> When you set the Borderless feature to On.

<sup>4</sup> See *Paper type and size for each operation* on page 14.

## Interfaces

<b>USB</b>	A USB 2.0 interface cable that is no longer than 6 feet (2.0 m). <sup>1 2</sup>
<b>LAN cable</b> <sup>3</sup>	Ethernet UTP cable category 5 or greater.

<sup>1</sup> Your machine has a USB 2.0 Full-speed interface. This interface is compatible with USB 2.0 Hi-Speed; however, the maximum data transfer rate will be 12 Mbits/s. The machine can also be connected to a computer that has a USB 1.1 interface.

<sup>2</sup> Third party USB ports are not supported for Macintosh®.

<sup>3</sup> See the Network User's Guide on the CD-ROM for detailed network specifications.

# Computer requirements

Minimum System Requirements and Supported PC Software Functions								
Computer Platform & Operating System Version		Supported PC Software Functions	PC Interface	Processor Minimum Speed	Minimum RAM	Recommended RAM	Available Hard Disk Space	
							for Drivers	for Applications
Windows® Operating System <sup>1</sup>	98, 98SE	Printing, PC Fax <sup>4</sup> , Scanning, Removable Disk <sup>3</sup>	USB	Intel® Pentium® II or equivalent	32 MB	128 MB	120 MB	130 MB
	Me				64 MB	256 MB		
	2000 Professional		Ethernet		128 MB	256 MB	170 MB	220 MB
	XP Home XP Professional				256 MB	512 MB	170 MB	220 MB
XP Professional x64 Edition	AMD Opteron™ AMD Athlon™64  Intel® Xeon™ with Intel® EM64T  Intel® Pentium® 4 with Intel® EM64T	256 MB	512 MB	170 MB	220 MB			
Apple® Macintosh® Operating System	OS X 10.2.4 or greater	Printing, PC Fax Send <sup>4</sup> , Scanning, Removable Disk <sup>3</sup>	USB <sup>2</sup>  Ethernet	PowerPC G3 /G4/G5, Intel Core Solo/ Duo 350MHz	128 MB	256 MB	80 MB	200 MB
<sup>1</sup> Microsoft® Internet Explorer 5 or greater. <sup>2</sup> Third party USB ports are not supported. <sup>3</sup> Removable disk is a function of PhotoCapture Center®. <sup>4</sup> PC FAX supports black and white faxing only.			For the latest driver updates access the Brother Solutions Center at <a href="http://solutions.brother.com/">http://solutions.brother.com/</a>					

# Consumable items

## Ink

The machine uses individual Black, Yellow, Cyan and Magenta ink cartridges that are separate from the print head assembly.

## Service Life of Ink Cartridge

The first time you install the ink cartridges the machine will use extra ink to fill the ink delivery tubes.

This is a one-time process that enables high quality printing. Afterward, replacement ink cartridges will print the specified number of pages.

### Replacement Ink Cartridges

Standard Black - Approximately 500 pages at 5% coverage

High Yield Black - Approximately 900 pages at 5% coverage

Yellow, Cyan and Magenta - Approximately 400 pages at 5% coverage

The above figures are based upon the following assumptions:

- Continuous printing at a resolution of 600 × 600 dpi in normal mode after installing new ink cartridge;
- The printing frequency;
- The number of pages printed;
- Periodic, automatic, print head assembly cleaning (Your machine will clean the print head assembly periodically. This process will use a small amount of ink); and,
- Ink remaining in cartridge identified as 'empty' (It is necessary to leave a small amount of ink in the ink cartridge to prevent air from drying out and damaging the print head assembly).

## Replacement Consumables

<Standard Black> LC51BK,

<High Yield Black> LC51HY-BK, <Cyan> LC51C,

<Magenta>LC51M, <Yellow> LC51Y

## Network (LAN)

<b>LAN</b>	You can connect your machine to a network for Network Printing, Network Scanning and PC Fax Send and PC Fax Receive <sup>1</sup> (Windows <sup>®</sup> only). Also included is Brother BRAdmin Professional Network Management software.
<b>Support for</b>	Windows <sup>®</sup> 98/98SE/Me/2000/XP/XP Professional x64 Edition Mac OS <sup>®</sup> X 10.2.4 or greater Ethernet 10/100 BASE-TX Auto Negotiation
<b>Protocols</b>	TCP/IP ARP, RARP, BOOTP, DHCP, APIPA (Auto IP), NetBIOS Name Resolution, WINS, DNS Resolver, LPR/LPD, Custom Raw Port/Port9100, FTP Server, mDNS, TELNET, SNMP

<sup>1</sup> See the *Computer requirements* on page 141.

# E

## Glossary

This is a comprehensive list of features and terms that appear in Brother manuals. Availability of these features depends on the model you purchased.

### **ADF (automatic document feeder)**

The document can be placed in the ADF and scanned one page at a time automatically.

### **Auto Reduction**

Reduces the size of incoming faxes.

### **Automatic Redial**

A feature that enables your machine to redial the last fax number after five minutes if the fax did not go through because the line was busy.

### **Backup Print**

Your machine prints a copy of every fax that is received and stored in memory. This is a safety feature so you will not lose messages during a power failure.

### **Beeper Volume**

Volume setting for the beep when you press a key or make an error.

### **Brightness**

Changing the Brightness makes the whole image lighter or darker.

### **Broadcasting**

The ability to send the same fax message to more than one location.

### **Caller ID**

A service purchased from the telephone company that lets you see the number (or name) of the party calling you.

### **CNG tones**

The special tones (beeps) sent by fax machines during automatic transmission to tell the receiving machine that a fax machine is calling.

### **Coding method**

Method of coding the information contained in the document. All fax machines must use a minimum standard of Modified Huffman (MH). Your machine is capable of greater compression methods, Modified Read (MR), Modified Modified Read (MMR) and JPEG, if the receiving machine has the same capability.

### **Communication error (Comm. Error)**

An error during fax sending or receiving, usually caused by line noise or static.

### **Compatibility group**

The ability of one fax unit to communicate with another. Compatibility is assured between ITU-T Groups.

### **Contrast**

Setting to compensate for dark or light documents, by making faxes or copies of dark documents lighter and light documents darker.

### **Distinctive Ring**

A subscriber service purchased from the telephone company that gives you another phone number on an existing phone line. The Brother machine uses the new number to simulate a dedicated fax line.

### **Dual Access**

Your machine can scan outgoing faxes or scheduled jobs into memory at the same time it is sending a fax from memory or receiving or printing an incoming fax.

### **Easy Receive**

Enables your machine to respond to CNG tones if you interrupt a fax call by answering it.



**ECM (Error Correction Mode)**

Detects errors during fax transmission and resends the pages of the fax that had an error.

**Extension phone**

A telephone using the same line as your fax but plugged into a separate wall jack.

**External phone**

A telephone that is plugged into the EXT jack of your machine.

**F/T Ring Time**

The length of time that the Brother machine rings (when the Receive Mode setting is Fax/Tel) to notify you to pick up a voice call that it answered.

**Fax Receive Code**

Press this code (**✕ 5 1**) when you answer a fax call on an extension or external phone.

**Fax tones**

The signals sent by sending and receiving fax machines while communicating information.

**Fax/Tel**

You can receive faxes and telephone calls. Do not use this mode if you are using a telephone answering device (TAD).

**Fine resolution**

Resolution is 203 × 196 dpi. It is used for small print and graphs.

**Gray scale**

The shades of gray available for copying, scanning, and faxing photographs.

**Group number**

A combination of Speed-Dial numbers that are stored in a Speed-Dial location for Broadcasting.

**Help list**

A printout of the complete Menu table that you can use to program your machine when you do not have the User's Guide with you.

**Fax Journal**

Lists information about the last 200 incoming and outgoing faxes. TX means Transmit. RX means Receive.

**Journal Period**

The pre-programmed time period between automatically printed Fax Journal Reports. You can print the Fax Journal on demand without interrupting the cycle.

**LCD (liquid crystal display)**

The display screen on the machine that shows interactive messages during On-Screen Programming and shows the date and time when the machine is idle.

**Manual fax**

Depending on your model, you can lift the handset, cordless handset, or handset of the external telephone or you can press **Hook** or **Speaker Phone** to hear the receiving fax machine answer before you press **Black Start** or **Color Start** to begin sending.

**Menu mode**

Programming mode for changing your machine's settings.

**OCR (optical character recognition)**

The bundled ScanSoft® Paperport® SE with OCR or Presto!® PageManager® software application converts an image of text to text you can edit.

**Out of Paper Reception**

Receives faxes into the machine's memory when the machine is out of paper.

**Overseas Mode**

Makes temporary changes to the fax tones to accommodate noise and static on overseas phone lines.

**Pause**

Allows you to place a 3.5 second delay in the dialing sequence stored on Speed-Dial numbers. Press **Redial/Pause** as many times as needed for longer pauses.

## **PhotoCapture Center®**

Allows you to print digital photos from your digital camera at high resolution for photo quality printing.

## **Photo resolution**

A resolution setting that uses varying shades of gray for the best representation of photographs.

## **PictBridge**

Allows you to print photos directly from your digital camera at high resolution for photo quality printing.

## **Pulse (Canada only)**

A form of rotary dialing on a telephone line.

## **Quick Dial List**

A listing of names and numbers stored in Speed-Dial memory, in numerical order.

## **Real Time Transmission**

When memory is full, you can send faxes in real time.

## **Remaining jobs**

You can check which jobs are waiting in memory and cancel jobs individually.

## **Resolution**

The number of vertical and horizontal lines per inch. See: Standard, Fine, Super Fine and Photo.

## **Ring Delay**

The number of rings before the machine answers in *Fax Only* and *Fax/Tel* modes.

## **Ring Volume**

Volume setting for the machine's ring.

## **Scanning**

The process of sending an electronic image of a paper document into your computer.

## **Search**

An electronic, alphabetical listing of stored Speed-Dial and Group numbers.

## **Speed-Dial**

A pre-programmed number for easy dialing. You must press **Search/Speed Dial**, # the two digit code, and **Black Start** or **Color Start** to start the dialing process.

## **Standard resolution**

203 × 97 dpi. It is used for regular size text and quickest transmission.

## **Station ID**

The stored information that appears on the top of faxed pages. It includes the sender's name and fax number.

## **Super Fine resolution**

392 × 203 dpi. Best for very small print and line art.

## **TAD (telephone answering device)**

You can connect an external device or answering machine to the EXT. jack of your machine.

## **Telephone Answer Code (For Fax/Tel mode only)**

When the machine answers a voice call, it pseudo/double-rings. You can pick up at an extension phone by pressing this code (**# 5 1**).

## **Temporary settings**

You can choose certain options for each fax transmission and copy without changing the default settings.

## **Tone**

A form of dialing on the telephone line used for Touch Tone telephones.

## **Transmission**

The process of sending faxes over the phone lines from your machine to the receiving fax machine.

## **Transmission Verification Report**

A listing for each fax sent, that shows its date, time and number.

## **User Settings**

A printed report that shows the current settings of the machine.

# F

# Index

## A

Accessories and supplies .....	iii
ADF (automatic document feeder) ....	10, 30
ADF cover .....	109
Answering machine (TAD) .....	45
connecting .....	45
Apple® Macintosh®	
See Software User's Guide on the	
CD-ROM. ....	
Automatic	
fax receive .....	37
Easy Receive .....	39

## B

Broadcasting .....	31
setting up Groups for .....	52
Brother	
accessories and supplies .....	iii
Brother numbers .....	i
Customer Service .....	i
FAQs (frequently asked questions) .....	i
fax back system .....	ii
product support .....	i
Solutions Center .....	i
warranties .....	iv, v, vii

## C

Caller ID .....	44
print list .....	44
view list .....	44
Canceling	
Fax Forwarding .....	60
Fax Storage .....	57
jobs awaiting redial .....	35
Paging .....	60
Cleaning	
paper pick-up roller .....	117
print head .....	117
printer platen .....	116
scanner .....	116
Clear/Back key .....	8
Connecting	
external TAD .....	45
external telephone .....	48

two-line external TAD or telephone .....	47
Consumable items .....	142
Control panel overview .....	6
ControlCenter	
See Software User's Guide on the	
CD-ROM. ....	
Copy	
brightness .....	71
color adjustment .....	71
contrast .....	71
enlarge/reduce .....	68
enter Copy mode .....	66
keys .....	67
multiple .....	66
N in 1 (page layout) .....	69
Options key	
paper size .....	72
paper type .....	72
paper .....	72
Quality key .....	67
single .....	66
sort .....	70
temporary settings .....	67
tray use (MFC-5860CN only) .....	25
using ADF .....	66
Copy Options key	
Paper Size .....	72
Paper Type .....	72
Cordless phone .....	48
Custom telephone features on	
a single line .....	103

## D

Dialing	
a pause .....	51
access codes and credit card	
numbers .....	52, 53
Groups .....	31
manual .....	50
Speed-Dial .....	50
Distinctive Ring .....	42
setting ring pattern .....	43
turning off .....	43
Dual Access .....	34

## E

---

Easy Receive .....	39
Enlarge/Reduce key .....	68
Envelopes .....	14, 19, 20
Error messages on LCD .....	105
Change Unable .....	105
Clean Unable .....	105
Comm. Error .....	105
document jam .....	106
Init. Unable .....	106
Ink Empty .....	106
Near Empty .....	107
No Paper Fed .....	107
Not Registered .....	50
Out of Memory .....	107
Print Unable .....	107
Scan Unable .....	108
Extension telephone, using .....	48
External telephone, connecting .....	48

## F

---

Fax codes	
changing .....	49, 58
Fax Receive Code .....	39, 48
Remote Access Code .....	58
Telephone Answer Code .....	48
Fax Forwarding	
changing remotely .....	59, 60
programming a number .....	54
Fax Storage .....	55
turning on .....	55
Fax, from PC	
See Software User's Guide on the CD-ROM. ....	
Fax, stand-alone	
enter Fax mode .....	23
receiving .....	37
at end of conversation .....	38, 40
difficulties .....	99, 101
Easy Receive .....	39
F/T Ring Time, setting .....	39
Fax Forwarding .....	60
from extension phone .....	48
Paging .....	54
phone line interference .....	112
Receive Mode, choosing .....	37
reducing to fit on paper .....	40

retrieving from a remote site .....	59
Ring Delay, setting .....	38
tray use (MFC-5860CN only) .....	24
sending .....	30, 63
at end of conversation .....	36
Broadcasting .....	31
canceling from memory .....	35
color fax .....	31
contrast .....	33
delayed batch transmission .....	35
delayed fax .....	35
enter Fax mode .....	30
from memory (Dual Access) .....	34
from scanner glass .....	30
manual .....	36
overseas .....	34
phone line interference .....	112
Real Time Transmission .....	34
redial .....	51
Resolution .....	33
Fax/Tel mode	
answering at extension phones .....	48
double-ringing (voice calls) .....	39
F/T Ring Time .....	39
Fax Receive Code .....	48
Ring Delay .....	38
Telephone Answer Code .....	48
FCC notices .....	94

## G

---

Gray scale .....	136, 139
Groups for Broadcasting .....	52

## H

---

HELP	
LCD messages .....	122
using menu keys .....	122
Menu Table .....	122
Hook key .....	26, 36

## I

---

Ink cartridges	
checking ink volume .....	119
ink dot counter .....	113
replacing .....	113
Ink key .....	117, 118, 119

## J

Jacks	
convert to RJ11 jack	
triplex adapter	46
EXT	
external telephone	45
TAD (answering machine)	46
Jams	
document	109
paper	109

## L

LCD (liquid crystal display)	122
Contrast	26
Help List	62

## M

Macintosh®	
See Software User's Guide on the	
CD-ROM.	
Maintenance, routine	113
Manual	
dialing	50
receive	37
transmission	36
Memory Storage	122
Menu keys	122
Menu Table	122
Mode, entering	
Copy	66
Fax	30
PhotoCapture	8
Scan	8
Multi-line connections (PBX)	47

## O

On/Off key	22
Options key (copying)	69
brightness	71
N in 1 copies or a poster	69
sort	70
Out of Area (Caller ID)	44
Out of Memory message	36

## P

Packing the machine	120
Paging	54
Paper	12, 135
capacity	15
document size	10, 30
loading	18
envelopes and post cards	19
size	24
type	14, 23
Paper Type key (MFC-5460CN only)	72
PaperPort® SE with OCR	
See Software User's Guide on the	
CD-ROM.	
Phone line	
connections	45
difficulties	101
multi-line (PBX)	47
roll over lines	46
two-line phone system	46
Phone line interference	112
Photo paper	12, 13, 70
PhotoCapture Center®	
Borderless	80
CompactFlash®	74
Cropping	80
DPOF printing	78
from PC	
See Software User's Guide on the	
CD-ROM.	
Memory Stick Pro™	74
Memory Stick®	74
MultiMediaCard™	74
Print settings	
Brightness	79
Contrast	79
Paper type & size	79
Print speed & quality	79
Quality	79
True2Life	79
SecureDigital™	74
specifications	138
xD-Picture Card™	74
PictBridge	
DPOF Printing	84
Polling	63
Power failure	122

Print	
area	21
checking alignment	119
difficulties	99, 101
drivers	140
improving quality	117, 118
paper jams	110
reports	62
resolution	140
specifications	140
Printing	
images	77
index	76
See Software User's Guide on the CD-ROM.	
Programming your machine	122

## Q

Quality key (copying)	67
Quick-Dial	
Access codes and credit card numbers	52, 53
Broadcasting	31
using Groups	31
Group dial	
changing	52
setting up Groups for Broadcasting	52
Search	50
Speed-Dial	
changing	52
setting up by location	51
using	50

## R

Receive Mode	37
External TAD	37
Fax Only	37
Fax/Tel	37
Manual	37
Redial/Pause key	51
Reducing	
copies	68
incoming faxes	40
Remote Retrieval	58
access code	58
commands	60
getting your faxes	59

Remote Setup	
See Software User's Guide on the CD-ROM.	
Reports	61
Caller ID List	44
Fax Journal	62
Journal Period	61
Help List	62
how to print	62
Quick-Dial List	62
Transmission Verification	61, 62
User Settings	62
Resolution	
copy	137
fax	136
print	140
scan	138, 139
setting for next fax	33
Resolution key	33
Ring Delay, setting	38

## S

Safety Instructions	93
Scanning	
See Software User's Guide on the CD-ROM.	
Serial Number	
how to find	See inside front cover.
Shipping the machine	120
Speed-Dial	
changing	52
dialing	50
storing	51

## T

TAD (telephone answering device),	
external	37, 45, 47
connecting	45
receive mode	37
recording OGM	46
with two-line jack	47
Temporary copy settings	67
Text, entering	132
special characters	132
Transferring your faxes or Fax Journal report	108
Transparencies	12, 13, 14, 15

Tray Select key (MFC-5860CN only) .....	72
Troubleshooting .....	99
checking ink volume .....	119
document jam .....	109
error messages on LCD .....	105
if you are having difficulty	
copying .....	103
incoming calls .....	102
Network .....	104
phone line or connections .....	101
PhotoCapture Center® .....	104
printing .....	99
printing received faxes .....	101
receiving faxes .....	102
scanning .....	103
sending faxes .....	102
software .....	103
paper jam .....	110
print quality .....	117, 118
Two-line phone system .....	46
TX Lock .....	28

## V

---

Volume, setting	
beeper .....	25
ring .....	25
speaker .....	26

## W

---

Warranties .....	iv
Canada .....	vii
Notice-Disclaimer .....	iv
USA .....	v
Windows®	
See Software User's Guide on the CD-ROM. ....	
World Wide Web .....	i

## **EQUIPMENT ATTACHMENT LIMITATIONS (Canada only)**

### **NOTICE**

This product meets the applicable Industry Canada technical specifications.

### **NOTICE**

The Ringer Equivalence Number is an indication of the maximum number of devices allowed to be connected to a telephone interface. The termination on an interface may consist of any combination of devices subject only to the requirement that the sum of the RENs of all the devices does not exceed five.



Brother International Corporation  
100 Somerset Corporate Boulevard  
P.O. Box 6911  
Bridgewater, NJ 08807-0911 USA

Brother International Corporation (Canada) Ltd.  
1 rue Hôtel de Ville,  
Dollard-des-Ormeaux, QC, Canada H9B 3H6

**brother**<sup>®</sup>

**Visit us on the World Wide Web  
<http://www.brother.com>**

These machines are made for use in the USA and Canada only. We cannot recommend using them overseas because it may violate the Telecommunications Regulations of that country and the power requirements of your machine may not be compatible with the power available in foreign countries. **Using USA or Canada models overseas is at your own risk and may void your warranty.**

USA/CAN