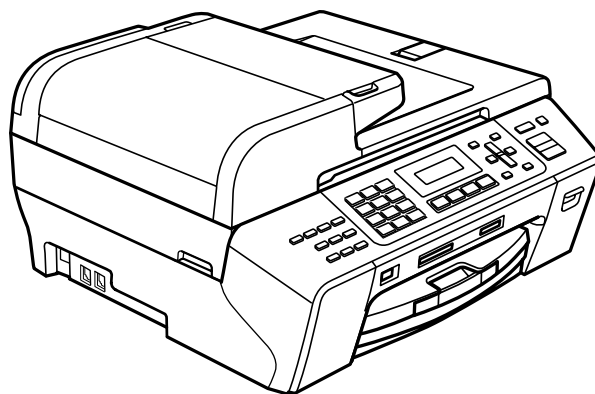




Inkjet MFC **PARTS REFERENCE LIST**

MODEL: MFC-5490CN



Read this list thoroughly before maintenance work.

Keep this list in a convenient place for quick and easy reference at all times.

July 2008
PL-FAX152
8CAH11
Ver. J-1

NOTE FOR USING THIS PARTS REFERENCE LIST

1. In the case of ordering parts, it is necessary to mention the following items;

- (1) Code
- (2) Q'ty
- (3) Description
- (4) Symbol (PCB No. etc)

Note: Orders without Parts Code or Tool No. can not be accepted.

< Example >

REF.NO.	(1) CODE	(2) Q'TY	(3) DESCRIPTION	(4) SYMBOL	REMARK

2. Design-changed parts :

If any of the parts is changed, one of the following symbols is indicated in the REMARK column.

CHG(chg) : The parts is changed to a new parts.

ADD(add) : The parts is newly added.

DEL(del) : The parts is deleted.

Symbol in capital letters indicates the latest parts change information in the page.

3. Parts change will be informed by the Parts change information.

4. Parts are subject to change in design without prior notice.

COUNTRIES

U.S.A ---- US

ARGENTINA ---- ARG

CANADA ---- CAN

CHILE ---- CHL

GERMANY ---- GER

UNITED KINGDOM ---- UK

FRANCE ---- FRA

BELGIUM ---- BEL

NETHERLANDS ---- NLD

SPAIN ---- SPA

ITALY ---- ITA

ISRAEL ---- ISR

PORTUGAL ---- POR

CHINA ---- CHN

ASIA (SINGAPORE & GULF) ---- ASA

GENERAL ---- GNR

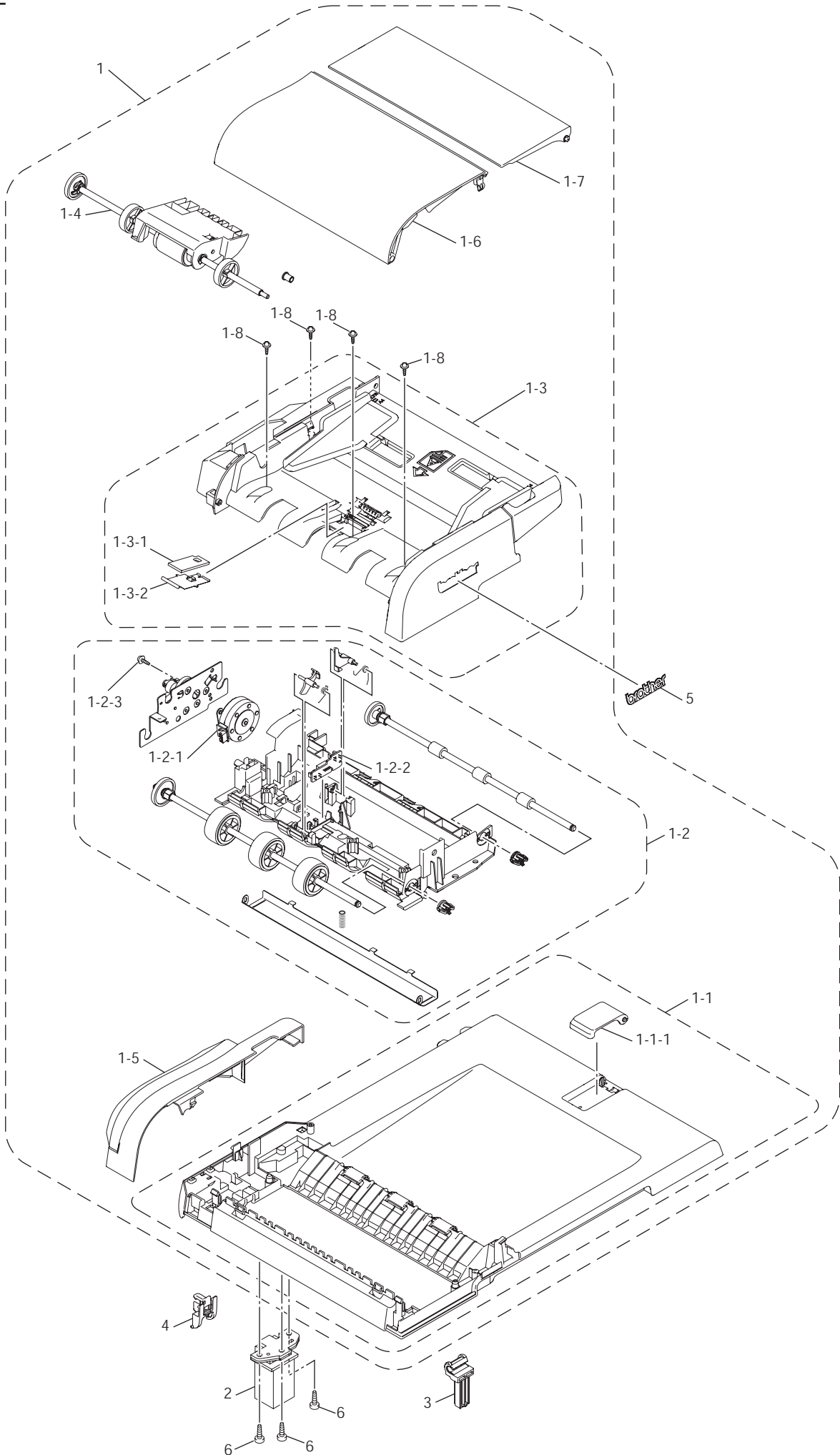
OCEANIA (AUSTRALIA / NEW ZEALAND) ---- OCE

PAN NORDIC (NORWAY/FINLAND/DENMARK/SWEDEN) ---- PND

CONTENTS

1.	<u>ADF</u>	1
2.	<u>SCANNER</u>	3
3.	<u>ENGINE</u>	5
4.	<u>CARTRIDGE CASE</u>	7
5.	<u>HEAD</u>	9
6.	<u>PAPER TRAY</u>	11
7.	<u>COVER</u>	13
8.	<u>PANEL</u>	15
9.	<u>PCB</u>	17
10.	<u>ACCESSORIES</u>	19
11.	<u>PRINTED MATERIALS</u>	21
12.	<u>PACKAGING</u>	23
13.	<u>OTHERS</u>	25

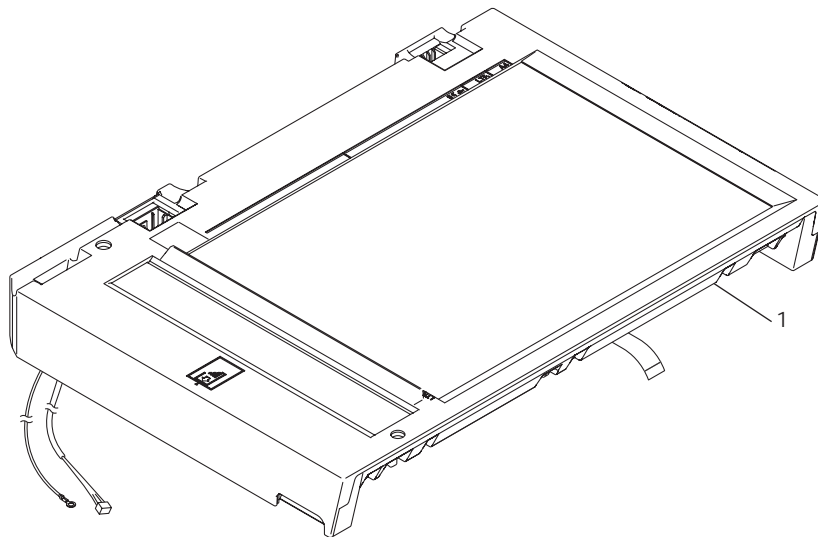
1 ADF



List1(ADF)

REF No.	CODE	QTY	DESCRIPTION	RECOMMEND	SYMBOL	REMARKS
1	LS6481001	1	ADF UNIT L9 ASSY(SP)	√		
1-1	LS4785001	1	DOCUMENT COVER ASSY			
1-1-1	LS4787005	1	DOCUMENT STOPPER			
1-2	LS4788001	1	LOWER ADF CHUTE ASSY			
1-2-1	LS4414001	1	ADF MOTOR			
1-2-2	LT0293001	1	DOCUMENT SENSOR PCB ASSY		B53K964	
1-2-3	0A4300606	1	SCREW PAN (S/P WASHER) M3X6			
1-3	LS4801001	1	UPPER ADF CHUTE ASSY			
1-3-1	LS4615001	1	SEPARATION RUBBER			
1-3-2	LS4617001	1	SEPERATION PLATE			
1-4	LS4805001	1	DOCUMENT PULL-IN/SEPERATION ROLLER ASSY			
1-5	LS4808005	1	ADF REAR COVER			
1-6	LS4809001	1	ADF COVER ASSY			
1-7	LS4811004	1	DOCUMENT SUPPORT			
1-8	087311016	4	TAPTITE CUP B M3X10			
2	LS6745001	1	HINGE ARM L			chg
3	LS4442005	1	HINGE ARM R			
4	LP1628001	1	HARNESS SUPPORT			
5	LX1347001	1	EMBLEM BROTHER			CHG
6	085411216	3	TAPTITE BIND B M4X12			

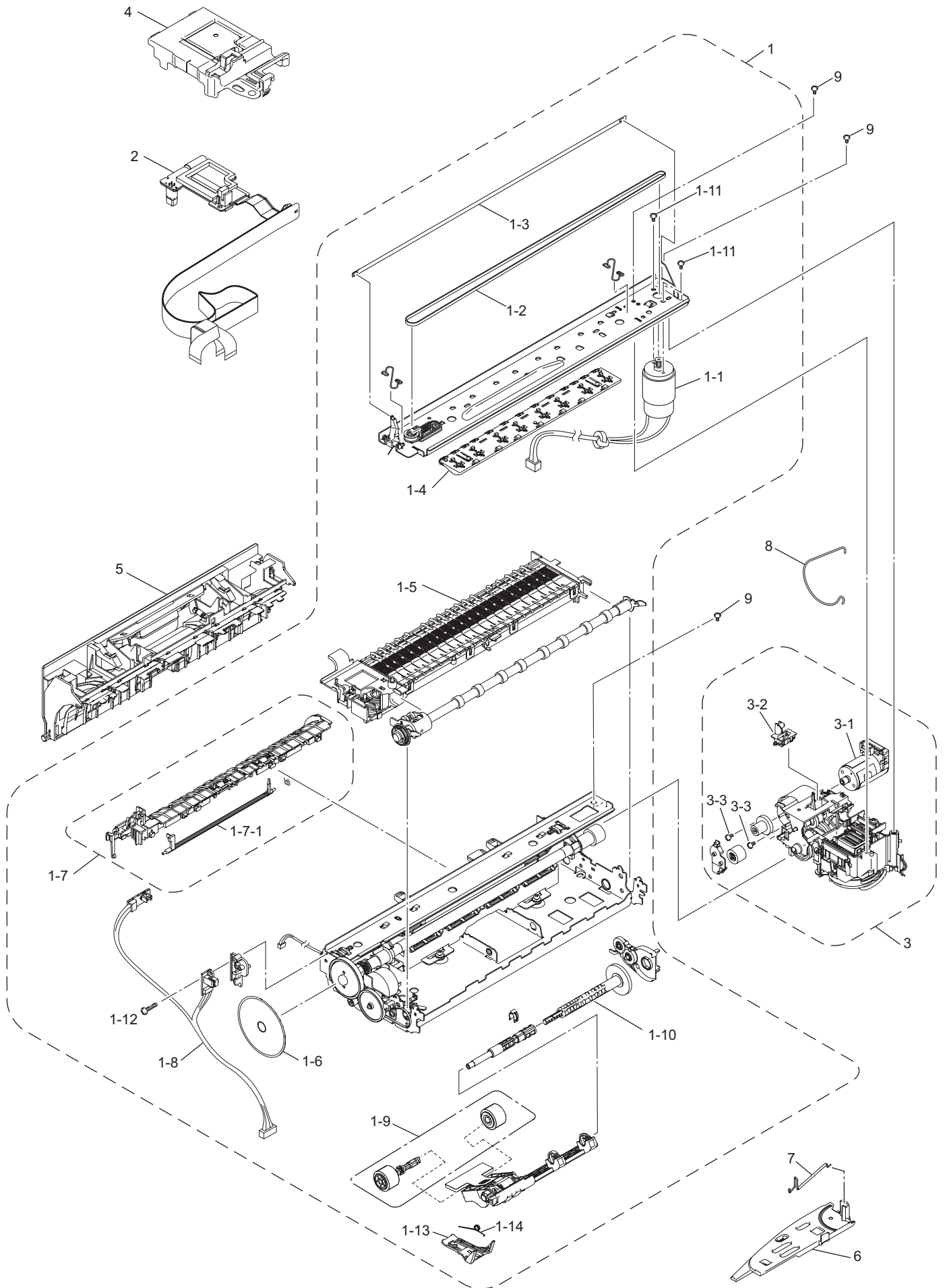
2 SCANNER



List2(SCANNER)

REF No.	CODE	Q'TY	DESCRIPTION	RECOMMEND	REMARKS
1	LS6471001	1	SCANNER UNIT ASSY (SP)	√	

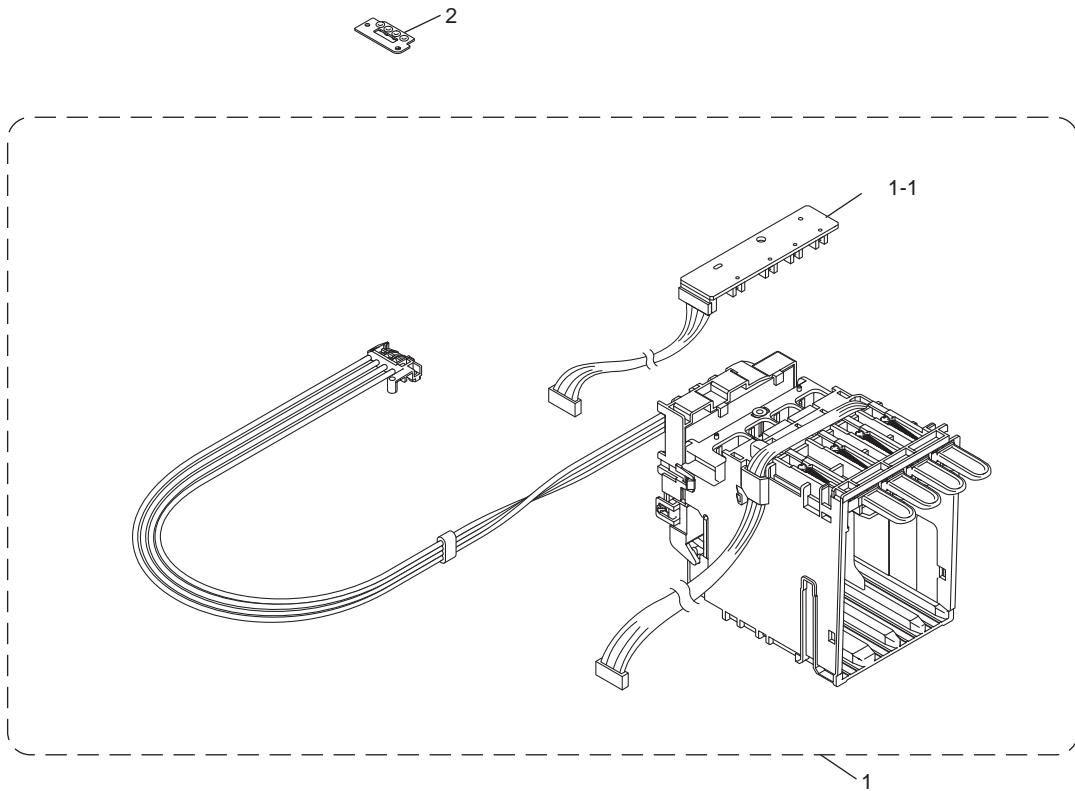
3 ENGINE



List3(ENGINE)

REF No.	CODE	QTY	DESCRIPTION	RECOMMEND	REMARKS
1	LS6671001	1	ENGINE UNIT (SP)		
1-1	LX3629001	1	CR MOTOR UNIT		CHG
1-2	LS4198001	1	TIMING BELT		
1-3	LS4467001	1	ENCODER STRIP		
1-4	LS4301001	1	STAR WHEEL HOLDER ASSY		
1-5	LS4304001	1	PLATEN ASSY		
1-6	LP1471001	1	PF ENCODER DISK		
1-7	LS4249001	1	INNER CHUTE ASSY		
1-7-1	LS4251001	1	REGISTRATION SENSOR ACTUATOR		
1-8	LT0466001	1	PF ENCODER/REGISTRATION SENSOR HARNESS		
1-9	LX0126001	1	PAPER PULL-IN ROLLER ASSY		chg
1-10	LS4260001	1	ASF GEAR SHAFT OUTER		
1-11	000300606	2	SCREW BIND M3X6		
1-12	000021206	1	SCREW BIND M2X12		
1-13	LS4120001	1	PE ACTUATOR 9 ASSY		add
1-14	LS4075001	1	PE ACTUATOR SPRING		add
2	LS6543001	1	CR PCB ASSY(SP)		
3	LS6544001	1	MAINTENANCE UNIT(SP)		
3-1	LS4091001	1	ASF MOTOR ASSY		
3-2	LS4098001	1	SWITCHING LEVER GUIDE		
3-3	LS4375001	2	SCREW PAN (S/P WASHER) M3X5		
4	LS4383001	1	HEAD COVER ASSY		
5	LS4253006	1	JAM CLEAR COVER		
6	LX0376001	1	TUBE SUPPORT PLATE		chg
7	LS4469001	1	TUBE SUPPORT WIRE		
8	LS5775001	1	EARTH SPRING		
9	087311016	3	TAPTITE CUP B M3X10		

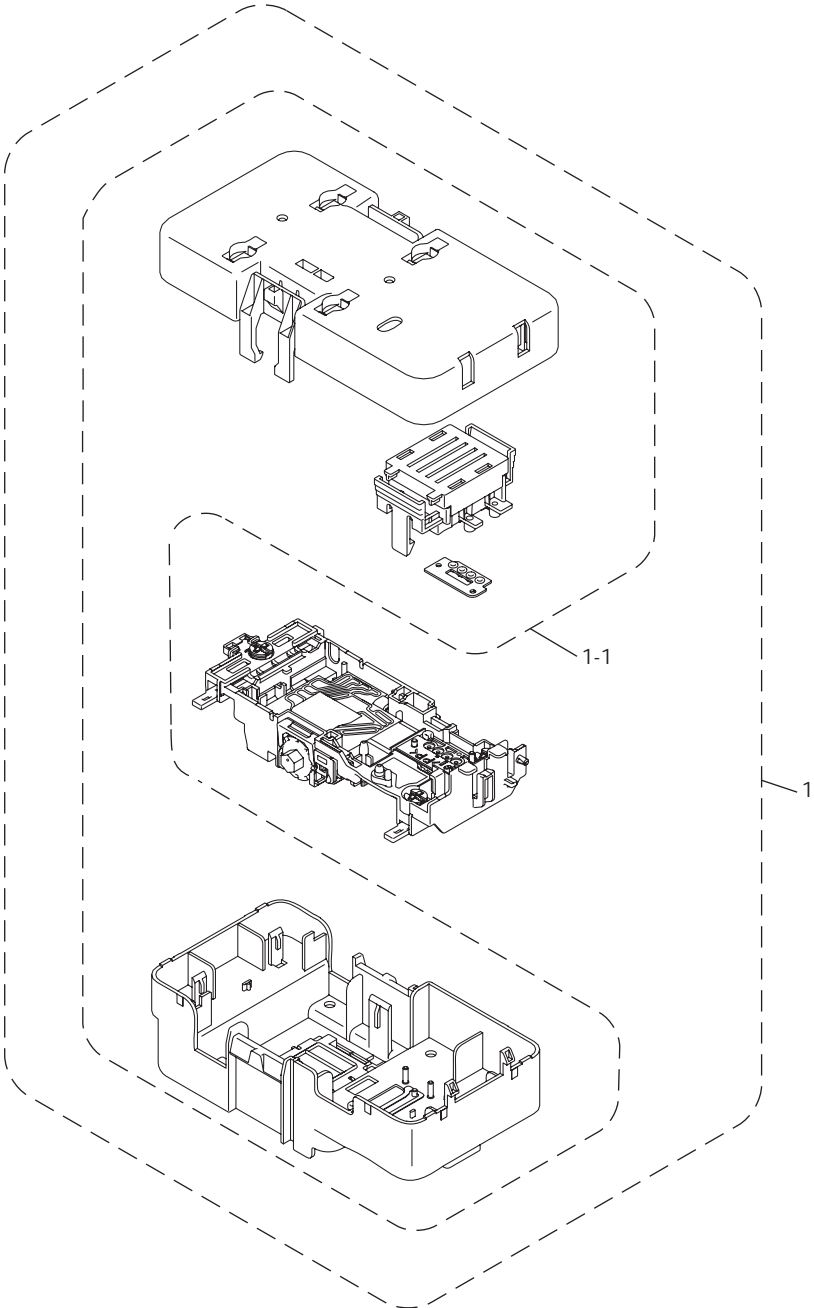
4 CARTRIDGE CASE



List4(CARTRIDGE CASE)

REF No.	CODE	QTY	DESCRIPTION	RECOMMEND	SYMBOL	REMARKS
1	LK3553001	1	INK REFILL ASSY (SP)	√		
1-1	LK3329001	1	INK CARTRIDGE DETECTION SENSOR PCB		B57C002	ADD
2	LK3555001	1	HEAD JOINT RUBBER (SP)			

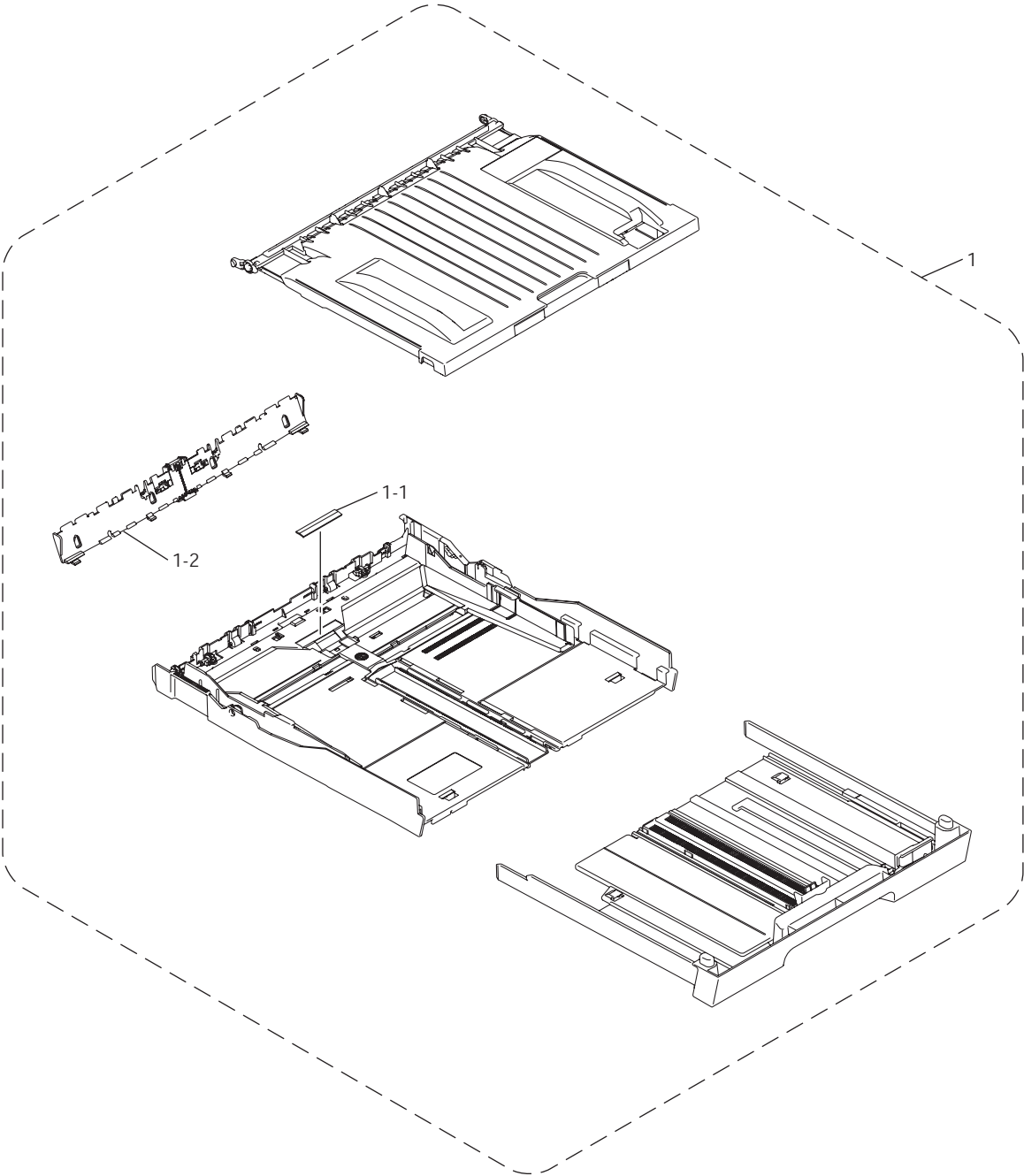
5 HEAD



List5(HEAD)

REF No.	CODE	Q'TY	DESCRIPTION	RECOMMEND	REMARKS
1	LK3211001	1	HEAD/CARRIAGE UNIT SUPPLY ASSY (without CARRIAGE PCB ASSY)		
1-1	LK3216001	1	PROTECTOR PARTS SUPPLY ASSY(SP)		

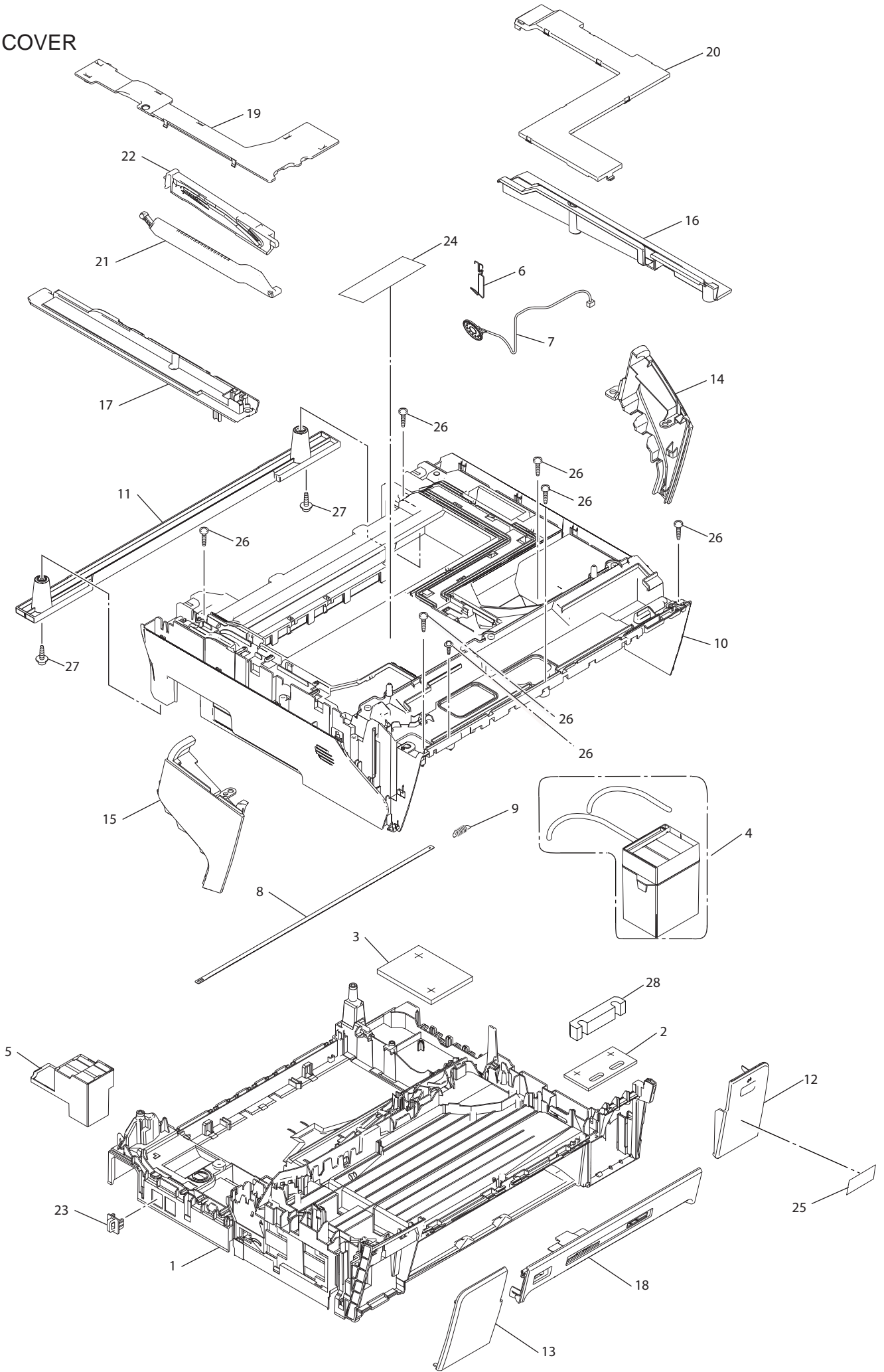
6 PAPER TRAY



List6(PAPER TRAY)

REF No.	CODE	Q'TY	DESCRIPTION	RECOMMEND	REMARKS
1	LS6966001	1	PAPER TRAY A4 ASSY(SP)		
1-1	LP1575001	1	BASE PAD		
1-2	LS4269001	1	BANK ASSY		

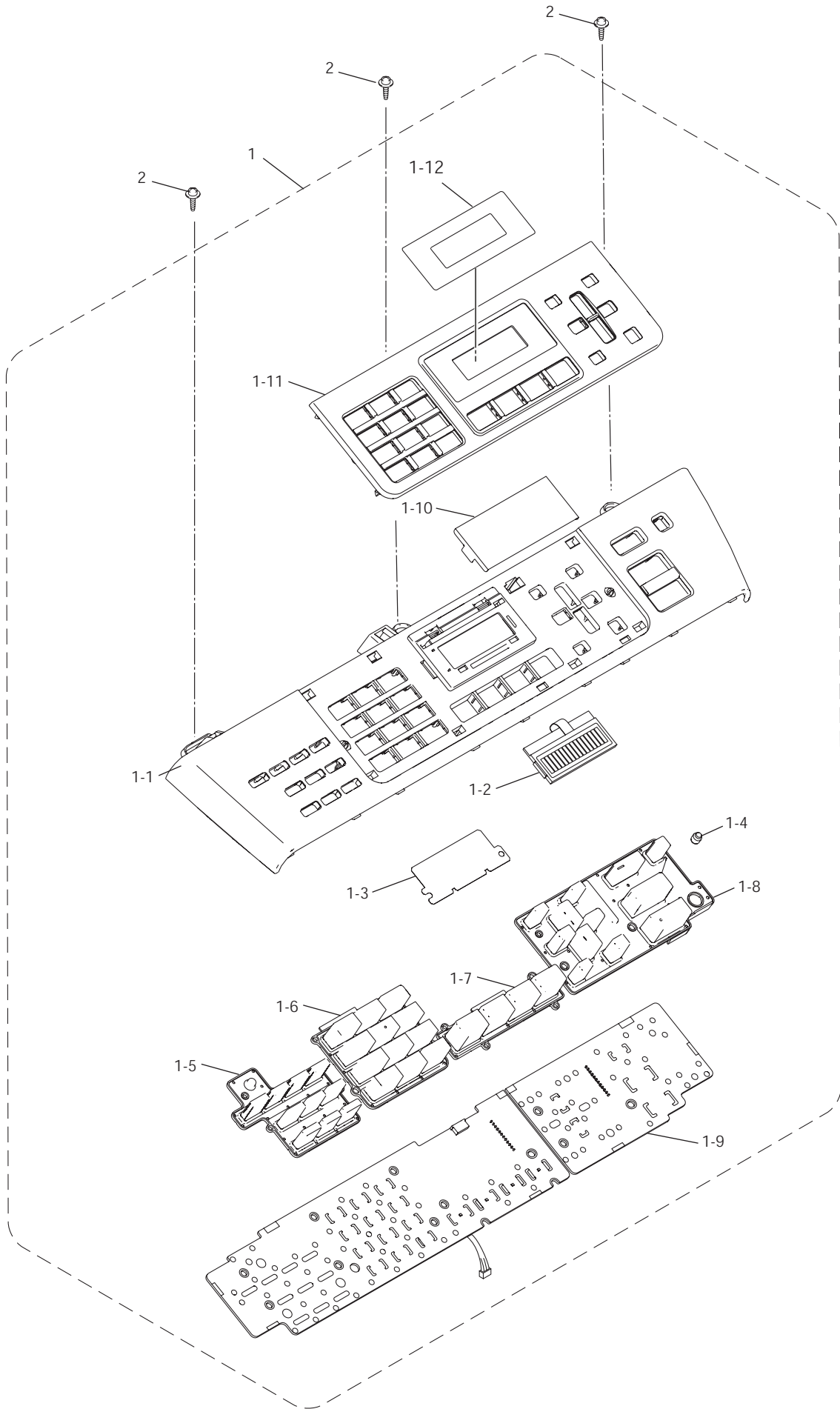
7 COVER



List7(COVER)

REF No.	CODE	QTY	DESCRIPTION	RECOMMEND	SYMBOL	REMARKS
1	LS5134001	1	LOWER COVER ASSY			
2	LS4699001	1	INK ABSORBER FELT			
3	LS5136001	1	INK FOAM			
4	LS6967001	1	INK ABSORBER TUBE ASSY (SP)			
5	LS5141001	1	FLUSHING CASE ASSY			
6	LS5442001	1	SPEAKER SPRING	√		
7	LT0375001	1	SPEAKER UNIT			
8	LS6395001	1	ENCODER GUARD FILM			
9	LS5902001	1	ENCODER GUARD SPRING			
10	LS5443005	1	UPPER COVER			
11	LS5444005	1	REAR UNDER COVER			
12	LS5445005	1	INK CARTRIDGE COVER			
13	LS5446005	1	FRONT COVER			
14	LS5447006	1	SIDE COVER R			
15	LS5448006	1	SIDE COVER L			
16	LS5449005	1	EDGE COVER R			
17	LS5450005	1	EDGE COVER L			
18	LS5451005	1	PRINTED MEDIA COVER			
19	LS5453005	1	HARNESS COVER			
20	LS5454005	1	CIS FLAT CABLE COVER			
21	LS5455001	1	SCANNER COVER SUPPORT			
22	LS5457001	1	SCANNER COVER DAMPER			
23	LE8842001	1	EXT CAP FOR US/CAN/NLD/SPA/ISR/POR/CHN/ARG/CHL/ASA/ GMR/OCE/PND			
23	UF5745000	1	MJ COVER EXT FOR GER/UK/FRA/BEL/ITA			
24	LS6465001	1	ENCODER CAUTION LABEL			
25	LS5371001	1	INNOBELLA LABEL FOR US			
25	LS5370001	1	INNOBELLA LABEL EXCEPT FOR US			
26	085411216	7	TAPTITE BIND B M4X12			
27	087311016	2	TAPTITE CUP B M3X10			
28	LX6286001	1	INK ABSORBER FELT(INK ABSORBER BOX UPPER)			ADD

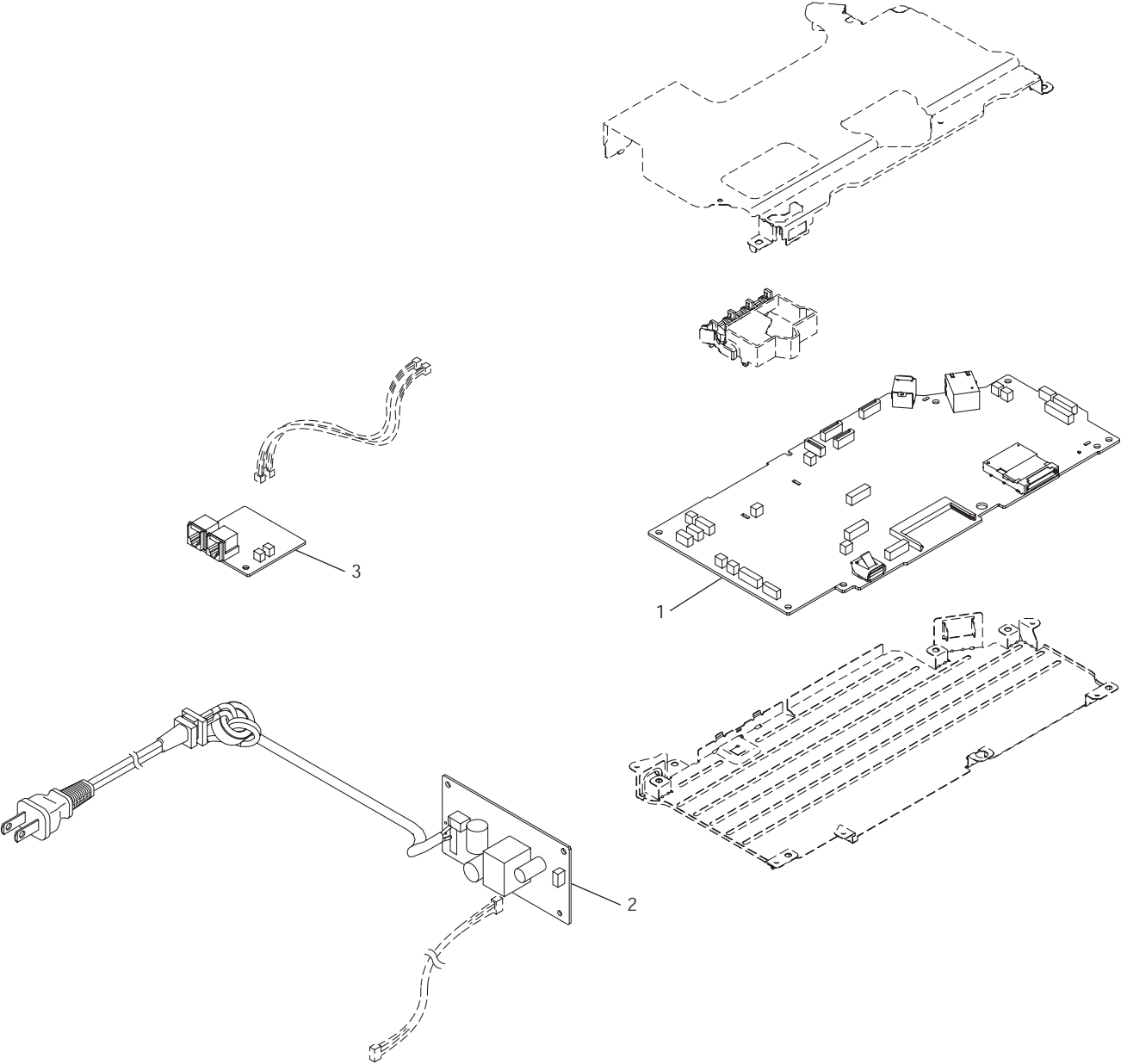
8 PANEL



List8(PANEL)

REF No.	CODE	QTY	DESCRIPTION	RECOMMEND	SYMBOL	REMARKS
1	LS5634001	1	CONTROL PANEL ASSY FOR US/CAN	√		
1	LS6680001	1	CONTROL PANEL ASSY FOR GER	√		
1	LS5783001	1	CONTROL PANEL ASSY FOR UK/BEL/ISR/GNR	√		
1	LS6683001	1	CONTROL PANEL ASSY FOR FRA	√		
1	LS6695001	1	CONTROL PANEL ASSY FOR NLD	√		
1	LS6689001	1	CONTROL PANEL ASSY FOR SPA	√		
1	LS6686001	1	CONTROL PANEL ASSY FOR ITA	√		
1	LS6692001	1	CONTROL PANEL ASSY FOR POR	√		
1	LX0670001	1	CONTROL PANEL ASSY FOR CHN	√		
1	LX0739001	1	CONTROL PANEL ASSY FOR ARG/CHL	√		
1	LX0611001	1	CONTROL PANEL ASSY FOR ASA/OCE	√		
1	LS6698001	1	CONTROL PANEL ASSY FOR PND	√		
1-1	LS5635001	1	PRINTED PANEL COVER FOR US/CAN			
1-1	LS6681001	1	PRINTED PANEL COVER FOR GER			
1-1	LS5782001	1	PRINTED PANEL COVER FOR UK/BEL/ISR/GNR/PND			
1-1	LS6684001	1	PRINTED PANEL COVER FOR FRA			
1-1	LS6696001	1	PRINTED PANEL COVER FOR NLD			
1-1	LS6690001	1	PRINTED PANEL COVER FOR SPA			
1-1	LS6687001	1	PRINTED PANEL COVER FOR ITA			
1-1	LS6693001	1	PRINTED PANEL COVER FOR POR			
1-1	LX0612001	1	PRINTED PANEL COVER FOR ASA/OCE			
1-1	LX0671001	1	PRINTED PANEL COVER FOR CHN			
1-1	LX0740001	1	PRINTED PANEL COVER FOR ARG/CHL			
1-2	LT0211001	1	MONOCHROME LCD, EXCEPT FOR CHN			
1-2	A63016001	1	MONOCHROME LCD, FOR CHN			
1-3	LP1542001	1	DIFFUSION FILM			
1-4	LS5810001	1	FRONT C SENSOR ACTUATOR RUBBER			
1-5	LS5636001	1	PRINTED RUBBER KEY FUNCTION			
1-6	LS4744001	1	PRINTED RUBBER KEY TEN			
1-7	LS5637001	1	PRINTED RUBBER KEY MODE			
1-8	LS5638001	1	PRINTED RUBBER KEY BASE			
1-9	LT0489001	1	PANEL PCB ASSY, EXCEPT FOR CHN		B53K983	
1-9	LT0489002	1	PANEL PCB ASSY, FOR CHN		B53K983	
1-10	LS4892001	1	LCD FILM MFC BASE			
1-11	LS5639001	1	PRINTED PANEL PLATE FOR US/CAN			
1-11	LS6682001	1	PRINTED PANEL PLATE FOR GER			
1-11	LS5781001	1	PRINTED PANEL PLATE FOR UK/BEL/ISR/ASA/GNR/OCE			
1-11	LS6685001	1	PRINTED PANEL PLATE FOR FRA			
1-11	LS6697001	1	PRINTED PANEL PLATE FOR NLD			
1-11	LS6691001	1	PRINTED PANEL PLATE FOR SPA/ARG/CHL			
1-11	LS6688001	1	PRINTED PANEL PLATE FOR ITA			
1-11	LS6694001	1	PRINTED PANEL PLATE FOR POR			
1-11	LX0672001	1	PRINTED PANEL PLATE FOR CHN			
1-11	LS6699001	1	PRINTED PANEL PLATE FOR PND			
1-12	LS5640001	1	PRINTED LCD SHEET, EXCEPT FOR CHN			
1-12	LX0673001	1	PRINTED LCD SHEET, FOR CHN			
2	087311016	3	TAPTITE CUP B M3X10			

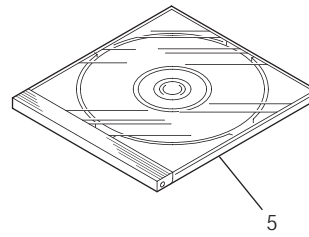
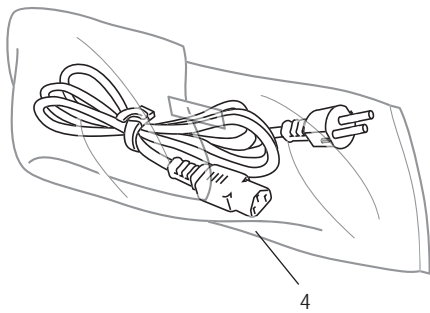
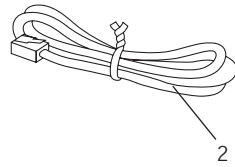
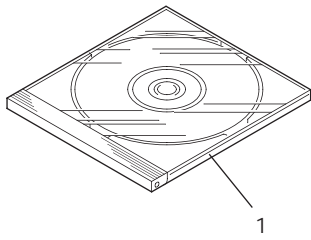
9 PCB



List9(PCB)

REF No.	CODE	QTY	DESCRIPTION	RECOMMEND	SYMBOL	REMARKS
1	LT0311051	1	MAIN PCB ASSY EXCEPT FOR CHN	√	B53K960	
1	LT0311055	1	MAIN PCB ASSY FOR CHN	√	B53K960	
2	LT0416001	1	POWER SUPPLY PCB ASSY (INCLUDING AC CORD) FOR US/CAN	√		
2	LT0586001	1	POWER SUPPLY PCB ASSY FOR CHN	√		
2	LT0485001	1	POWER SUPPLY PCB ASSY (INCLUDING AC CORD) EXCEPT FOR US/CAN/CHN			
3	LT0405011	1	MJ PCB ASSY FOR US/CAN/CHN/ARG/CHL/ASA/OCE	√	B53K967	
3	LT0405014	1	MJ PCB ASSY EXCEPT FOR US/CAN/CHN/ARG/CHL/ASA/OCE	√	B53K967	

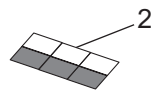
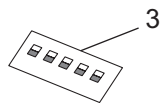
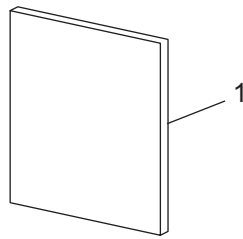
10 ACCESSORIES



List10(Accessories)

REF No.	CODE	QTY	DESCRIPTION	RECOMMEND	REMARKS
1	LS5032001	1	CD-ROM ASSY FOR US/CAN		
1	LS5090001	1	CD-ROM ASSY FOR GER/UK/FRA/ISR/ASA/GNR/OCE		
1	LS5092001	1	CD-ROM ASSY FOR BEL/NLD		
1	LS5091001	1	CD-ROM ASSY FOR SPA/ITA/POR/ARG/CHL		
1	LS5302001	1	CD-ROM ASSY FOR CHN		
1	LS5093001	1	CD-ROM ASSY FOR PND (Windows)		
1	LS6119001	1	CD-ROM ASSY FOR PND (Macintosh)		
2	LG3077001	1	TELEPHONE LINE CORD CSA FOR US/CAN/UK/NLD/SPA/ISR/POR/ CHN/ARG/CHL/ASA/GNR/OCE		
2	UG3625001	1	TELEPHONE LINE CORD GER FOR GER		
2	UG3626001	1	TELEPHONE LINE CORD UK6P FOR UK		
2	UG3627001	1	TELEPHONE LINE CORD FRA FOR FRA		
2	UG1575001	1	TELEPHONE LINE CORD BEL FOR BEL		
2	UG3634001	1	TELEPHONE LINE CORD ITA FOR ITA		
2	LG5827001	1	TELEPHONE LINE CORD RJ45 FOR PND		
2	UG3290001	1	TELEPHONE LINE CORD NZ FOR OCE		
3	LG3622001	1	TELEPHONE PLUG DUT FOR NLD		
3	LG5830001	1	TELEPHONE PLUG SWE FOR PND		
3	LG5829001	1	TELEPHONE PLUG FIN FOR PND		
3	LG5828001	1	TELEPHONE PLUG DEN FOR PND		
3	LG6573001	1	TELEPHONE PLUG ARL FOR OCE		
4	LG5717001	1	AC CORD BAG ASSY LF VDE FOR GER/FRA/BEL/NLD/SPA/ITA/POR/ASA/GNR/PND		
4	LG5692001	1	AC CORD BAG ASSY LF UK FOR UK/ASA		
4	LG7005001	1	AC CORD BAG ASSY LF ISRAEL FOR ISR		
4	LG5735001	1	AC CORD BAG ASSY LF CHN FOR CHN		
4	LT0921001	1	AC CORD BAG ASSY LF ARG IRAM FOR ARG		
4	LG6426001	1	AC CORD BAG ASSY LF CHILE FOR CHL		
4	LG5734001	1	AC CORD BAG ASSY LF SAA FOR OCE		
4	LG5736001	1	AC CORD BAG ASSY LF DEMKO FOR PND		
5	LX3172001	1	CD-ROM ASSY FOR US/CAN (Windows7)		ADD
5	LX3173001	1	CD-ROM ASSY FOR GER/UK/FRA/ISR/ASA/GNR/OCE (Windows7)		ADD
5	LX3174001	1	CD-ROM ASSY FOR SPA/ITA/POR/ARG/CHL (Windows7)		ADD
5	LX3175001	1	CD-ROM ASSY FOR BEL/NLD (Windows7)		ADD
5	LX3176001	1	CD-ROM ASSY FOR PND (Windows7)		ADD
5	LX3178001	1	CD-ROM ASSY FOR CHN (Windows7)		ADD

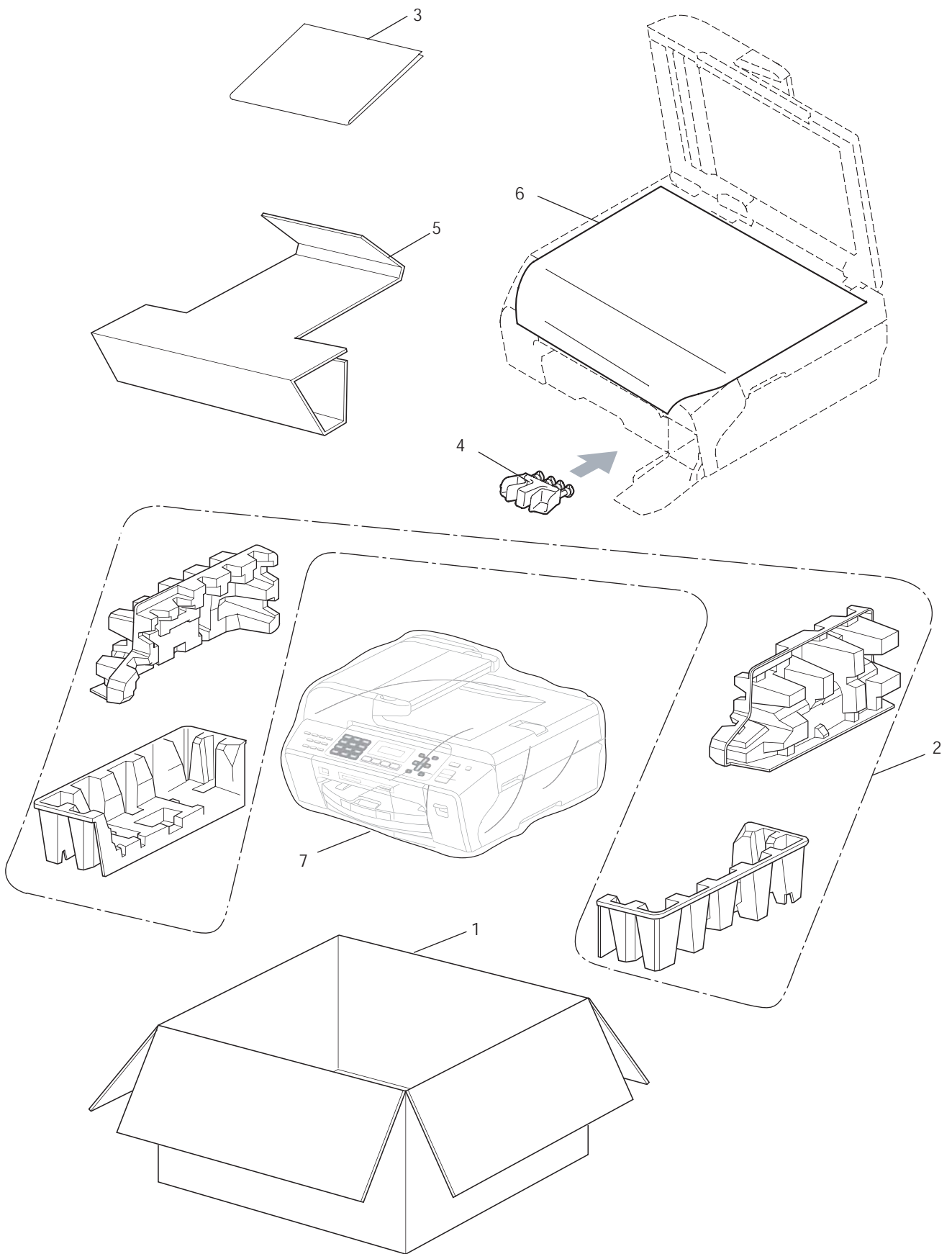
11 PRINTED MATERIALS



List11(PRINTED MATERIALS)

REF No.	CODE	QTY	DESCRIPTION	RECOMMEND	REMARKS
1	LS6440001	1	USER'S GUIDE FOR US/CAN (ENGLISH)		
1	LS6440002	1	USER'S GUIDE FOR CAN (FRENCH)		
1	LS6723003	1	USER'S GUIDE FOR GER		
1	LS6723004	1	USER'S GUIDE FOR UK/ISR/GNR		
1	LS6723005	1	USER'S GUIDE FOR FRA		
1	LS6723008	1	USER'S GUIDE FOR BEL (DUTCH)		
1	LS6723058	1	USER'S GUIDE FOR BEL (FRENCH)		
1	LS6723009	1	USER'S GUIDE FOR NLD		
4	LS6723015	4	USER'S GUIDE FOR SPA		DEL
1	LS6723016	1	USER'S GUIDE FOR ITA		
1	LS6723018	1	USER'S GUIDE FOR POR		
1	LX0677020	1	USER'S GUIDE FOR CHN		
1	LX0773001	1	USER'S GUIDE FOR SPA/ARG/CHL		
1	LS6723040	1	USER'S GUIDE FOR ASA/OCE		
1	LS6732007	1	USER'S GUIDE FOR PND (NORWEGIAN/SWEDISH)		
1	LS6732013	1	USER'S GUIDE FOR PND (FINNISH/DANISH)		
2	LS5575001	1	ADDRESS LABEL		
3	LS6441001	1	FRENCH SEAL FOR CAN		

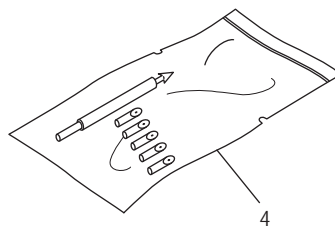
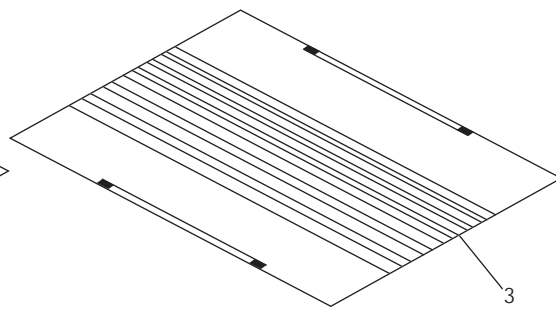
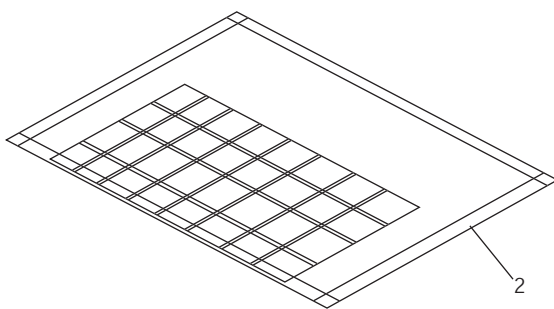
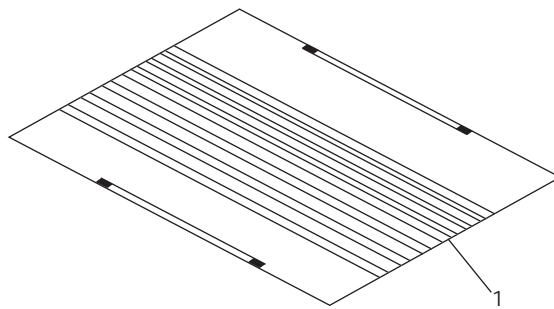
12 PACKAGING



List12(PACKAGING)

REF No.	CODE	QTY	DESCRIPTION	RECOMMEND	REMARKS
1	LS6443001	1	CARTON BROTHER FOR US	√	
1	LS6444001	1	CARTON BROTHER FOR CAN	√	
1	LS6746001	1	CARTON BROTHER FOR GER	√	
1	LS6747001	1	CARTON BROTHER FOR UK/ISR/GNR/PND	√	
1	LS6748001	1	CARTON BROTHER FOR FRA/BEL/NLD	√	
1	LS6749001	1	CARTON BROTHER FOR SPA/ITA/POR	√	
1	LS6792001	1	CARTON BROTHER FOR CHN	√	
1	LX0724001	1	CARTON BROTHER FOR ARG/CHL	√	
1	LX0245001	1	CARTON BROTHER FOR ASA/OCE	√	
2	LS5651001	1	PULP CUSHION ASSY		
3	LS6445001	1	QUICK SETUP GUIDE FOR US/CAN (ENGLISH)		
3	LS6445002	1	QUICK SETUP GUIDE FOR CAN (FRENCH)		
3	LS6773003	1	QUICK SETUP GUIDE FOR GER		
3	LS6773004	1	QUICK SETUP GUIDE FOR UK/ISR/ GNR		
3	LS6773005	1	QUICK SETUP GUIDE FOR FRA		
3	LS6773008	1	QUICK SETUP GUIDE FOR BEL (DUTCH)		
3	LS6773058	1	QUICK SETUP GUIDE FOR BEL (FRENCH)		
3	LS6773009	1	QUICK SETUP GUIDE FOR NLD		
3	LS6773015	4	QUICK SETUP GUIDE FOR SPA		del
3	LS6773016	1	QUICK SETUP GUIDE FOR ITA		
3	LS6773018	1	QUICK SETUP GUIDE FOR POR		
3	LX0678020	1	QUICK SETUP GUIDE FOR CHN		
3	LX0777001	1	QUICK SETUP GUIDE FOR SPA/ARG/CHL		
3	LS6773040	1	QUICK SETUP GUIDE FOR ASA/OCE		
3	LX0625037	1	QUICK SETUP GUIDE FOR GNR		ADD
			(CZECH/HUNGARIAN/POLISH)		
3	LX0625059	1	QUICK SETUP GUIDE FOR GNR		ADD
			(ENGLISH/BULGARIAN/ROMANIAN/SLOVAK)		
3	LS6773007	1	QUICK SETUP GUIDE FOR PND (NORWEGIAN)		
3	LS6773012	1	QUICK SETUP GUIDE FOR PND (FINNISH)		
3	LS6773013	1	QUICK SETUP GUIDE FOR PND (DANISH)		
3	LS6773026	1	QUICK SETUP GUIDE FOR PND (SWEDISH)		
4	LK4424001	1	PROTECT CTG SUPPLY ASSY(SP)		
5	LS5656001	1	ACCESSORIES SHEET		
6	LS2119001	1	SHEET 420X450		
7	LS6863001	1	BAG 1000X850H		

13 OTHERS



List13(OTHERS)

REF No.	CODE	QTY	DESCRIPTION	RECOMMEND	REMARKS
1	UF8263001	1	TEST CHART-027		
2	UF9258001	1	COLOR TEST CHART CTC-001		
3	UF4600001	1	CONTRAST CHART TC-023		
4	ZA0310001	1	HEAD CLEANER STICK ASSY		